

## Informacije o proizvodu (EN)

ANKER Docking station 8-in-1 USB-C Data Hub (Triple Display/PD 85W)

**ANKER**

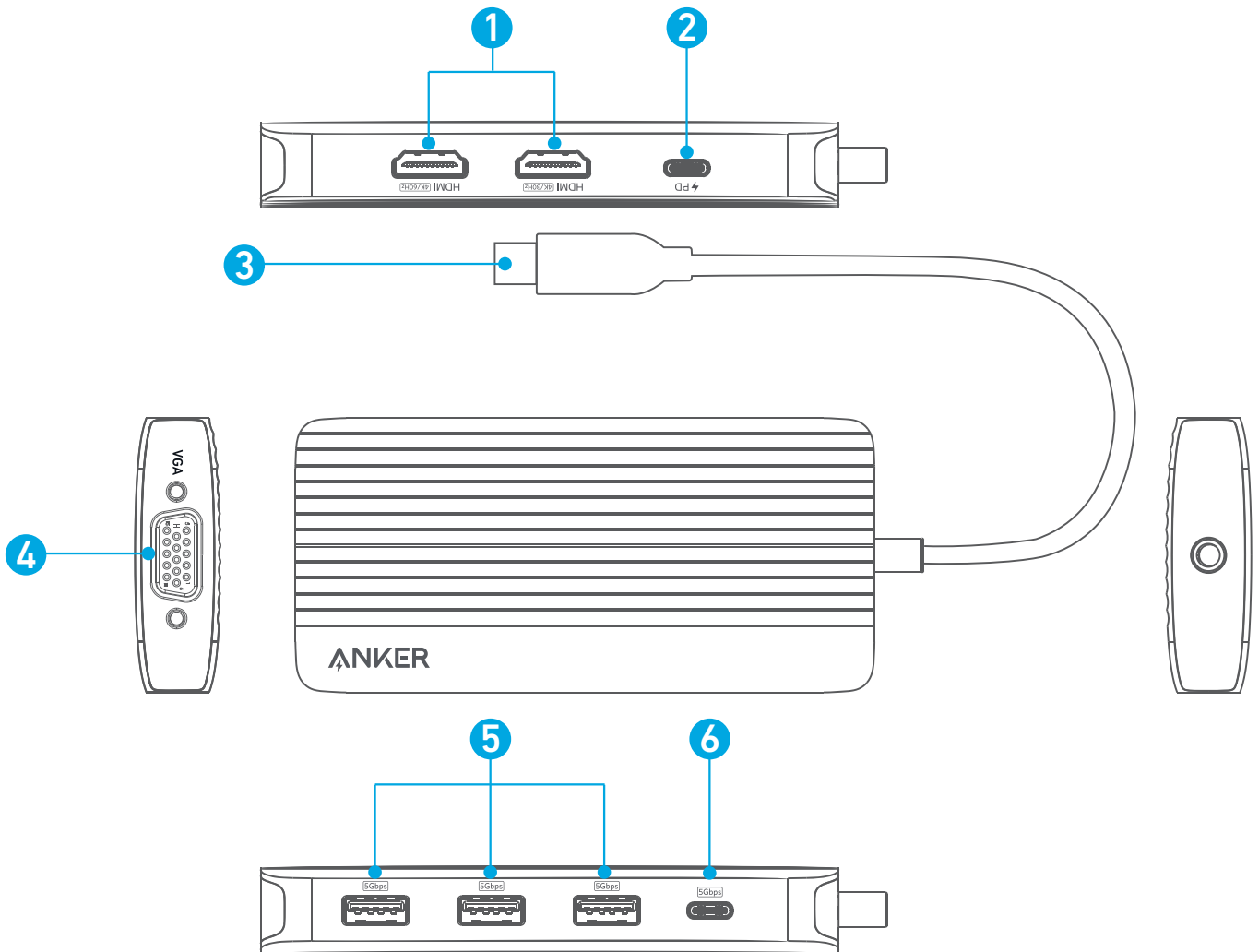


Tehnoteka je online destinacija za upoređivanje cena i karakteristika bele tehnike, potrošačke elektronike i IT uređaja kod trgovinskih lanaca i internet prodavnica u Srbiji. Naša stranica vam omogućava da istražite najnovije informacije, detaljne karakteristike i konkurentne cene proizvoda.

Posetite nas i uživajte u ekskluzivnom iskustvu pametne kupovine klikom na link:

<https://tehnoteka.rs/p/anker-docking-station-8-in-1-usb-c-data-hub-triple-displaypd-85w-akcija-cena/>

## At a Glance



No.	Port Type	Description
1	HDMI Output Port ×2	<p>Connect two HDMI-enabled monitors for dual 4K HDMI display output.</p> <ul style="list-style-type: none"> <li>Supports up to 4K@60Hz output to a single display.</li> <li>Supports up to 4K@30Hz/1080p@60Hz output to dual displays.</li> </ul> <p>Note: Actual display output performance will vary based on the host device's specifications.</p>
2	PD-IN Port	<ul style="list-style-type: none"> <li>Connects to a PD charger to charge your laptop or tablet.</li> <li>Supports up to 100W input.</li> </ul> <p>Note: The hub itself consumes 15W, and a maximum of 85W is provided to the host.</p> <ul style="list-style-type: none"> <li>Wall charger is not included.</li> </ul>
3	USB-C Upstream Port	<ul style="list-style-type: none"> <li>Connects to your laptop. Please make sure that the USB C port of your laptop is a full functional USB C port that supports Power Delivery and DP Alt mode.</li> <li>Provides up to 85W output through the PD input port.</li> </ul>
4	VGA	Connects to a device with a VGA port to stream video at resolutions up to 1080p@60Hz.
5	USB-A Data Transfer Port ×3	<ul style="list-style-type: none"> <li>5Gbps data transfer.</li> <li>Connects to USB devices such as keyboards, mice, or printers.</li> </ul>
6	USB-C Data Transfer Port	5Gbps data transfer.

## Specifications

Data Transfer Speed	5Gbps
Supported Systems	macOS 12 or Later, Windows 10 or Later, ChromeOS

### Video Resolution and Refresh Rate

Operating System	Windows OS			macOS		
Display Output	VGA	HDMI1	HDMI2	VGA	HDMI1	HDMI2
Single Monitor	1080p@60Hz	-	-	1080p@60Hz	-	-
	-	4K@60Hz	-	-	4K@60Hz	-
	-	-	4K@30Hz	-	-	4K@30Hz
Dual Monitor	1080p@60Hz	4K@30Hz	1080p@60Hz	1080p@60Hz	1080p@60Hz	-
	1080p@60Hz	-	-	1080p@60Hz	-	1080p@60Hz
	-	4K@30Hz	1080p@60Hz	-	4K@30Hz	4K@30Hz
Triple Monitor	1080p@60Hz	1080p@60Hz	1080p@60Hz	1080p@60Hz	1080p@60Hz	1080p@60Hz

Note: The table above displays the maximum supported resolutions for this hub. Actual output may vary based on the specifications of the host device.

## Compliance Information

- 1.The power of low power consumption condition: 0.45W
- 2.The power of networked standby mode: 1.95W
- 3.The time of automatically into low power consumption condition or networked standby mode: 5mins
- 4.Information of applicable adapter:
  - Input: 100-240VAC, 2.2A, 50-60Hz
  - Output: 5.0VDC, 3.0A, 15.0W / 9.0VDC, 3.0A, 27.0W / 12.0VDC, 3.0A, 36.0W /15.0VDC, 3.0A, 45.0W/ 20.0VDC, 5.0A, 100.0W

Note: The 'x' of SN Code: xxxxxxxxxxxxxxxx is a variable, see below table.

Variable 'x'	Range of variable	Content
Eighth	0-9 or A-F	Denotes the hardware version which is not effected on the safety compliance.
Ninth	8,9,A,B,C...	Denotes the year, 8 means 2018, 9 means 2019, A means 2020, B means 2021, C means 2022, and so on.
Tenth and Eleventh	01,02,03...	Denotes weeks, 01 means the first week in this year, 02 means the secondary week in this year, and so on.
Twelfth	1-7	Denotes date, 1 means Monday, 2 means Tuesday..., 7 means Sunday and so on.
The last five	00001-99999	Denotes serial No.

Ovaj dokument je originalno proizveden i objavljen od strane proizvođača, brenda Anker, i preuzet je sa njihove zvanične stranice. S obzirom na ovu činjenicu, Tehnoteka ističe da ne preuzima odgovornost za tačnost, celovitost ili pouzdanost informacija, podataka, mišljenja, saveta ili izjava sadržanih u ovom dokumentu.

Napominjemo da Tehnoteka nema ovlašćenje da izvrši bilo kakve izmene ili dopune na ovom dokumentu, stoga nismo odgovorni za eventualne greške, propuste ili netačnosti koje se mogu naći unutar njega. Tehnoteka ne odgovara za štetu nanесenu korisnicima pri upotrebi netačnih podataka. Ukoliko imate dodatna pitanja o proizvodu, ljubazno vas molimo da kontaktirate direktno proizvođača kako biste dobili sve detaljne informacije.

Za najnovije informacije o ceni, dostupnim akcijama i tehničkim karakteristikama proizvoda koji se pominje u ovom dokumentu, molimo posetite našu stranicu klikom na sledeći link:

<https://tehnoteka.rs/p/anker-docking-station-8-in-1-usb-c-data-hub-triple-displaypd-85w-akcija-cena/>