

Uputstvo za upotrebu (EN)

BEKO štapni usisivač VRW 90421 VD

beko



Tehnoteka je online destinacija za upoređivanje cena i karakteristika bele tehnike, potrošačke elektronike i IT uređaja kod trgovinskih lanaca i internet prodavnica u Srbiji. Naša stranica vam omogućava da istražite najnovije informacije, detaljne karakteristike i konkurentne cene proizvoda.

Posetite nas i uživajte u ekskluzivnom iskustvu pametne kupovine klikom na link:

<https://tehnoteka.rs/p/beko-stapni-usisivac-vrw-90421-vd-akcija-cena/>



3-in-1 Cordless Vacuum Cleaner

User Manual



VRW 90421 VD

EN - PL - TR



01M-8917511200-1525-03
01M-8917513200-1525-03

Please read this guide first!

Dear Customer,

Thank you for choosing a Beko product. We would like you to achieve the optimal efficiency from this high quality product which has been manufactured with the state of the art technology. Please make sure you read and understand this guide and supplementary documentation fully before use and keep it as a reference. Include this guide with the unit if you hand it over to someone else. Observe all warnings and information herein and follow the instructions.

Symbols and their meanings

These symbols are used in this manual:



Important information and advice on using the device.



CAUTION: Warnings against personal injury and property damage.



Protection class against electric shock.

CONTENTS

ENGLISH **03-20**

POLSKI **21-41**

TÜRKÇE **42-65**

1 Important safety and environmental instructions


1.1 General safety

To reduce the risk of fire, electric shock or injury, please follow these requirements:

Children under 8 years of age should not use this product. Adults with disabilities, mental illness, or lack of sensory experience and knowledge should use this device properly and safely under the supervision of normal adults and be aware of the potential risks. Children should not use the product alone and should not clean and maintain the product without adult supervision;

- This appliance is not intended for use by persons (including children) with reduced physical, sensory or mental capabilities, or lack of experience and knowledge, unless they have been given supervision or instruction concerning use of the appliance by a person responsible for their safety.
- This appliance can be used by children aged from 8 years and above if they have been given supervision or instruction concerning use of the appliance in a safe way and understand the hazards involved. Cleaning and user maintenance shall not be made by children unless they are aged from 8 years and above and supervised. Keep the appliance and its cord out of reach of children aged less than 8 years.
- This appliance can be used by children aged from 8 years and above and persons with reduced physical, sensory or mental capabilities or lack of experience and knowledge if they have been given supervision or instruction concerning use of the appliance in a safe way and understand the hazards involved. Children shall not play with the appliance. Cleaning and user maintenance shall not be made by children without supervision.
- Please store the appliance indoor to avoid being wet;
- Please do not immerse the machine in water or other liquids;
- Please do not use the appliance with wet hands;
- Please do not use the appliance if it falls, breaks, or falls into the water, please send the appliance to an authorized aftersales service center for repair;
- Please do not use the appliance if the power cord or plug is damaged;
- Please pull out the cable gently;
- Please do not damage the power cord: Do not lift the appliance with power cord, or clamp the power cord, or pull the power cord to a sharp edge or corner. Do not use the appliance over the power cord. Keep cables away from heated surfaces;
- Please do not use extension cords. The plug should be directly inserted into the power socket;
- Please do not block the inlet of the appliance to avoid limiting the airflow;
- Please do not operate the appliance when the inlet is blocked;
- Please keep hair, loose clothing, fingers or any part of the body away from the inlet to avoid the risk of danger;
- Please do not clean up anything that is burning or smoking, such as cigarettes, matches or hot ashes;
- Please do not clean up any flammable substances, such as lighter fluid, gasoline or kerosene, or in the case of explosive liquid or steam;
- Please do not clean up any paint, paint thinner, some mothproof materials or vapors released by flammable dust or other explosive or toxic vapors;
- Please do not clean up any toxic substances, such as chlorine bleach, ammonia, pipe dredge or gasoline;
- Please do not operate the appliance for any other purpose not listed in this Manual;
- Please use accessories only recommended by the manufacturer. Using parts not provided or sold by the manufacturer may cause fire, electric shock or injury,;
- Please use the official power cord;
- Please avoid dust, lint, hair and other material accumulating the inlet;
- Please clean up the stairs carefully;
- If the charger is damaged, it must be replaced by an official maintenance department from the manufacturer;
- Please make sure to install the water tank and the brush roll properly;
- Please do not operate or store the appliance under inappropriate conditions such as high temperature or low humidity. Please store the appliance in a ventilated place to avoid direct sunlight;

1 Important safety and environmental instructions

- Please keep children away from the appliance when the appliance is powered on or cooling down;
- Please do not clean up on leather, waxed furniture or floors, synthetic fibers, velvet or other vulnerable and steam sensitive materials;
- Keep fingers, hair and loose clothing from moving parts and openings whilst using product.
- Children should be supervised to ensure that they do not play with the appliance.
- If the supply cord is damaged, it must be replaced by the manufacturer or its agent or similarly qualified person in order to avoid hazard.
-  Motorized cleaning head for water suction cleaning.
- **WARNING:** For the purposes of recharging the battery, only use the detachable supply unit PW503-6 provided with this appliance.
- The battery must be removed from the appliance before it is scrapped;
- The appliance must be disconnected from the supply mains when removing the battery;
- Please dispose of used batteries according to local laws and regulations.
- Only use with T-DC71-SJ battery
- Please remove and insert the batteries according to User Manual
- Different types of batteries or new and used batteries are not to be mixed
- Batteries are to be inserted with the correct polarity
- Exhausted batteries are to be removed from the appliance and safely disposed of
- If the appliance is to be stored unused for a long period, the batteries should be removed
- The supply terminals are not to be short-circuited
- Damage or improper use may cause the battery to leak, in such a case do not use the battery or touch the battery with bare hands and dispose of safely
- Do not expose batteries to direct sunlight or heat source.
- The plug must be removed from the socket-outlet before cleaning or maintaining the appliance.

1 Important safety and environmental instructions

1.2 Compliance with the WEEE Directive and Disposing of the Waste Product



This product complies with EU WEEE Directive (2012/19/EU). This product bears a classification symbol for waste electrical and electronic equipment (WEEE).

This symbol indicates that this product shall not be disposed with other household wastes at the end of its service life. Used device must be returned to official collection point for recycling of electrical and electronic devices. To find these collection systems please contact to your local authorities or retailer where the product was purchased. Each household performs important role in recovering and recycling of old appliance. Appropriate disposal of used appliance helps prevent potential negative consequences for the environment and human health.

1.3 Package information



Packaging materials of the product are manufactured from recyclable materials in accordance with our National Environment Regulations. Do not dispose of the packaging materials together with the domestic or other wastes. Take them to the packaging material collection points designated by the local authorities.

1.4 Information on Waste Batteries



This symbol on rechargeable batteries/batteries or on the packaging indicates that the rechargeable battery/battery may not be disposed of with regular house hold rubbish. For certain rechargeable batteries/batteries, this symbol may be supplemented by a chemical symbol. Symbols for mercury (Hg) or lead (Pb) are provided if the rechargeable batteries/batteries contain more than 0,0005 % mercury or more than 0,004 % lead.

Rechargeable batteries/batteries, including those which do not contain heavy metal, may not be disposed of with household waste. Always dispose of used batteries in accordance with local environmental regulations. Make enquiries about the applicable disposal regulations where you live.

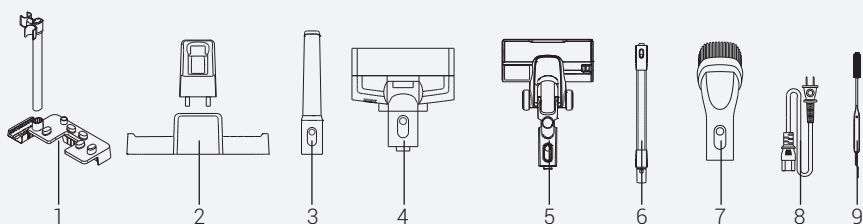
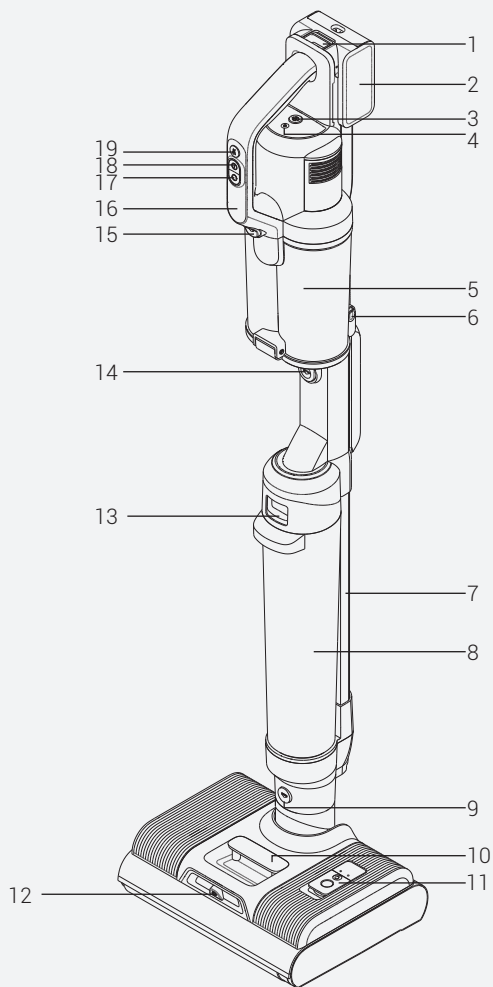
1.5 Compliance with RoHS Directive

The product you have purchased complies with EU RoHS Directive (2011/65/EU). It does not contain harmful and prohibited materials specified in the Directive.

1.6 Actions to be taken for energy saving

- To avoid redundant energy consumption while using the device, set the speed levels according to the floor you are sweeping.
- Under normal conditions, low speeds are used to clean the hard floors, curtains and sofas, and high speeds are used to clean the carpets.

2 Overview



2 Overview

2.1 Controls and components

1. Battery pack release button
2. Battery pack assembly
3. Self-cleaning button
4. Mute button
5. Dust cup assembly
6. Release button for the bottom cover of the dust cup
7. Metal tube
8. Sewage tank
9. Floor brush release button
10. Handle of clean water tank
11. Water injection mouth of clean water tank
12. Water-spraying mouth
13. Sewage tank release button
14. Handheld release button
15. Handheld dust cup release button
16. Display screen
17. Gear button
18. ON/OFF button
19. Water-spraying button

2.2 Accessories

1. Hanger assembly for accessories
2. Charging holder
3. Flat suction
4. Pet brush
5. Carpet brush
6. Metal tube
7. Sofa suction
8. Power cable
9. Multi-function clean brush

2.3 Technical data

Nominal input power	400 W
Input	220-240V 50-60Hz
Waterproof	IPX4 for EB123
Output	25.8Vdc 1.0A
Charging time	4-5.5Hours
Working time under maximum power	40 minutes
Working time under minimum power	60 minutes
Handheld turbo timing	32 min
Working time at max power	1) handheld max mode: 38 min 2) Dry Brush Side max mode: 26 min 3) Wet&Dry: 16 mins
Working time at min power	1) handheld min mode: 60 min 2) dry brush side min mode: 50 min 3) Wet&Dry: 25 mins

2.4 Product Specifications

This device has three functions: Vacuuming; Mop and Self-cleaning.

Clean Water Tank Capacity : 650 ml

Dirty Water Tank Capacity : 400 ml

- **WARNING!** Only use water below 25°C. Do not use boiling water. Don't use high foaming detergent.

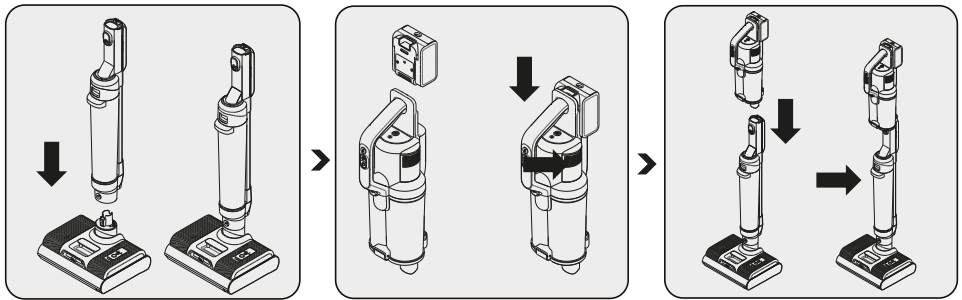
2.4.1 Floor Surface Cleaning

The product is equipped with a clean water tank, dirty water tank, floor cleaning roller brush, motors and other functional modules. Water is pumped into the floor-cleaning roller brush, and the floor-cleaning motor makes it spin at high speed to clean surfaces. After cleaning the floor, the dirty water is sucked by the suction motor and drawn back into the dirty water tank. During the floor cleaning process, the level of spraying water on the cleaning roller brush can be adjusted or cancelled.

Values supplied with the instrument or accompanying documentation are laboratory readings per relevant standards. These values may differ depending on operation and ambient conditions.

3 Installation

3.1 Handle mounting

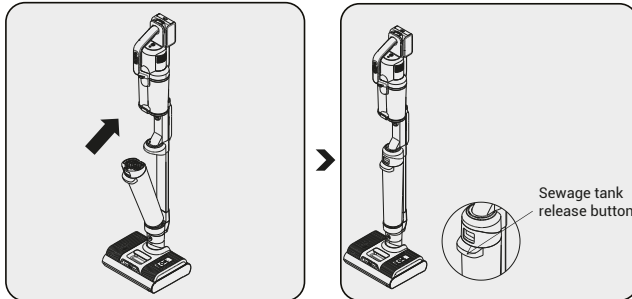


Place the handle vertically on the body.

The assembly will be completed after a "click" is heard.

Once you hear the "click" sound, you shall ensure that the hand-held assembly is tight and not loose, that is, the installation is successful.

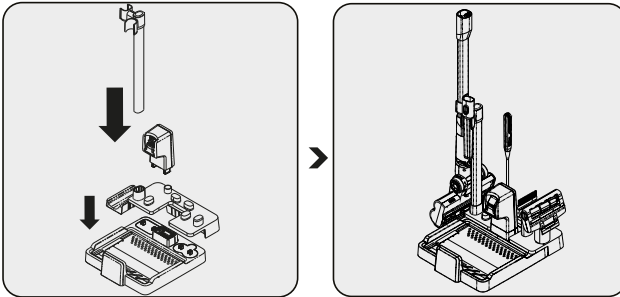
3.2 Sewage water tank mounting



First insert the bottom of the sewage tank into the groove of the main body tray, and then press the sewage tank to the main body, push inside until you hear the "click" sound,

3 Installation

3.3 Install the charger holder assembly

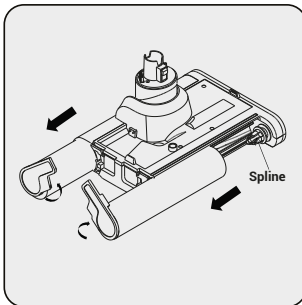


Removal:

First, place the stand. Then fix the apparatus compartment on top evenly with the tabs of the stand. Attach the charging apparatus on top

Press the charging head assembly, the hanger assembly for accessories along the position shown in the figures toward the charging holder. After hearing the "click" sound, the hook is clipped into the corresponding hole position, and the installation is successful.

3.4 Roller brush cover removal and mounting



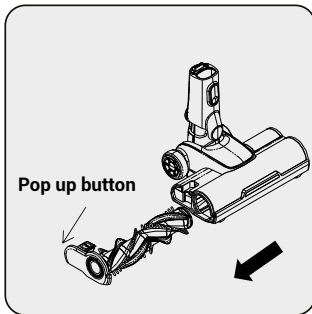
- To remove the roller brush assembly, it is necessary to remove the water tank assembly.
- Then you can use a hand to press the floor brush, the other hand to rotate the end cover of the roller brush upward, and remove the roller brush outwards; When installing the roller brush assembly, first align the other end of the roller brush with the spline, rotate it to the end, then push the roller brush inward, rotate the roller brush end cover downward and install it in place.
- Install the clean water tank



Do not use on carpet when the product is in mop mode, if it is to be used on carpet, it should be used with a dry vacuum cleaner nozzle.

3 Installation

3.5 Carpet brush roller removal and mounting



To remove the roller brush of the carpet brush assembly, it is necessary to press the pop up button on the roller brush. When installing the roller brush, align the other end of the roller brush with the hole on the carpet brush assembly, rotate it inward and install it in place.

4 Operation

4.1 How to Operate



If water is left on the floor after cleaning, it is recommended to use the dry mode to clean the water.

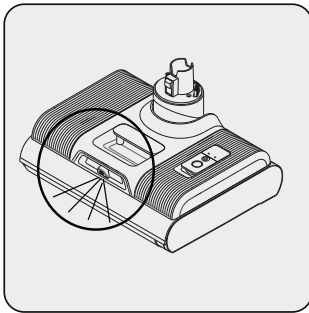


WARNING! Use only with recommended low foaming detergent. Simply add a few drops (10 ml) of the recommended floor cleaner to the clean water tank. If unexpected foaming occurs, the amount of detergent should be reduced. The foam formed may reduce the performance of your device.



WARNING! Before use, please check whether the machine has power. If there is no power, please charge it in time and use it after being fully charged.

4.2 Water Spraying Function



- 1 When the machine is working, press and hold the water spraying button, and the water nozzle sprays the fan-shaped water; Release the water spraying button to stop spraying water.
- 2 The internal spray function is only enabled when it is under Auto mode (Turn on internal spraying) and Max mode (Turn on internal spraying). When the machine is turned on and the water spraying button is not pressed, the internal spraying function starts and water is sprayed from the inside to the roller brush; When the water key is pressed, the internal spraying function stops, and the spraying nozzle sprays the fan-shaped water; When the water spraying button is released, the water nozzle stops water and the internal spraying function continues to work.



1. The water spraying button cannot be used with the switch button or the speed control button at the same time.
2. It is recommended to use Max mode when the environment is heavily polluted or there are more water stains.



When the machine is working at the horizontal lying status, the power will automatically drop, which is normal. At that time, the machine can not shake violently to avoid water from entering the dust cup.



WARNING! Connect the power cable to the power supply, put the machine into the charging holder, and enter the charging mode.

4 Operation

4.3 Roller brush drying function

In the charging mode, press the speed button at the handle to enter the roller brush drying mode for 2 hours. During the drying process, the floor brush motor runs for 2s at the interval of 3 minutes. The fan and PTC heating element work in the whole process. Upon that, the machine returns to the charging mode; press the speed button again to close the roller brush drying mode in advance. After the drying is finished or interrupted, brush the fan and shut it off for 3min delay.

4.4 Floor roller brush and tube self-cleaning function



In the charging mode, press the self-cleaning button to enter the cleaning mode. After the self-cleaning, the machine enters the roller brush drying mode. During the self-cleaning, press the On/Off button or speed button to end the self-cleaning mode early and return to the charging mode.

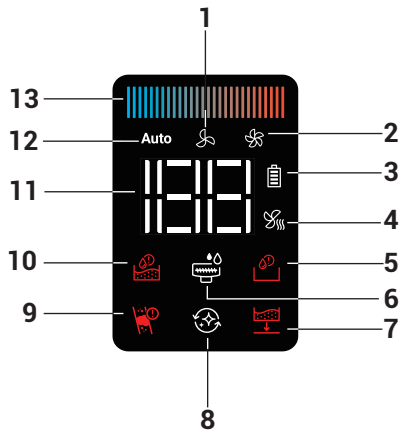
The pipe and the floor roller brush are cleaned under the self-cleaning mode.

Before opening the cleaning mode, please pour out the sewage from the sewage tank, check that the machine is stable on the charging holder, the power cable is plugged in the power socket, the power cable is connected to the charging holder, and the clean water tank at least remain 1/2 water; after self-cleaning, please clean the sewage tank again.

When the power is $\leq 10\%$, the cleaning mode and drying mode cannot be enabled, and it can be used only after charged for a period of time.

4 Operation

4.5 Information display



1. Max mode
2. Turbo mode
3. Battery icon display
4. Dry mode display
5. Clean water tank shortage tip
6. Spraying display in the roller brush
7. Sewage tank isn't assembled in right position
8. Self-cleaning display
9. Blockage warning
10. Full sewage tank display
11. Power level digital display
12. Auto mode
13. Display strip

Press the ON/OFF button, and the display screen will be lit. It will enter Auto mode by default (Turn on internal water spraying). After starting the machine, open the internal water spraying automatically and light Auto mode and the internal water spraying icon. The external water spraying can be manually controlled; Press the speed control button on the handle to switch to Max mode (internal water spraying is turned on). After switching, the internal water spraying is automatically turned on. Max mode and the internal water spraying icon are lit. The external water spraying can be manually controlled. Then press the speed control button on the handle to switch to Max mode (internal water spraying off). After switching, the internal water spraying is not turned on by default. When Max mode is lit, the internal spraying water icon is off, and the external spraying water can be manually controlled. It can be switched in cycle; Press the handle switch button again to shut down the machine and turn off the display screen.

The display strip shows the dirt on the floor. It indicates that dirt amount is decreasing from red to blue at Auto mode.

4.6 Use the machine with carpet brush assembly

After the metal tube and carpet brush assembly are installed on the handheld assembly, press the On/Off button, the display screen will be lit, and it enters Auto mode by default. Press the speed control button on the handle to switch to Max mode, and press the speed control button on the handle again to switch to Auto mode, which can be switched in cycle.

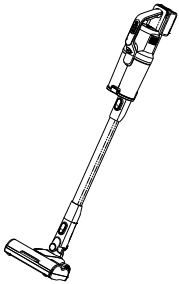
4 Operation

Press the On/Off on the handle to turn off the machine and the display screen.



When the machine is working at the horizontal lying status, the power will automatically drop, which is normal. At that time, the machine can not shake violently to avoid water from entering the dust cup.

1. The operation when using the carpet brush assembly is similar to that when using the double-roller brush assembly, but the carpet brush assembly does not the clean water tank, so it cannot spray water and absorb water
2. When the battery is less than 20%, it can't switch to the Max mode or Turbo mode.



4.7 Use the handheld vacuum cleaner and accessories

4.7.1 Take off the handheld vacuum cleaner, press the handheld switch button and the display screen will light up. It enters Auto mode by default. Press the handheld speed control button to switch to Max mode, and then press the handheld speed control button to switch to Turbo mode, which can be switched in cycle. Press the handheld On Off button again, the handheld vacuum cleaner is turned off, and the display screen is off.

4.7.2 Bed suction, flat suction, sofa suction, metal tube and carpet brush and other accessories can be inserted into the suction port of the handheld vacuum cleaner in order to adapt to different environments .

4.7.3 In matching with flat suction and sofa suction, align the flat suction with the handheld port and push it upwards until you hear the locking sound and the installation is finished. Push the spring button on the flat suction, pull out the flat suction downward, and remove the flat suction from the handheld vacuum cleaner.

4.7.4 In matching with bed brush, it can vacuum the dust on sofa, bed and other dust; Align the bed brush port with the port of the handheld vacuum cleaner and push it upwards until you hear the locking sound and the installation is finished; Push the button on the bed brush, pull out it downward and remove it.

4.7.5 In matching with metal pipe and carpet brush, align the port of the accessory with the handheld port and push it upward until you hear the locking sound and the installation is finished; Push the spring button on the accessory, pull out the accessory downward and remove it from the handheld vacuum cleaner.



When the battery is less than 20%, it can't switch to Max mode or Turbo mode:

2. When it is used as a handheld vacuum cleaner, please do not absorb water.
3. Accessories can be selected as required, and accessories are sold at the dealer.

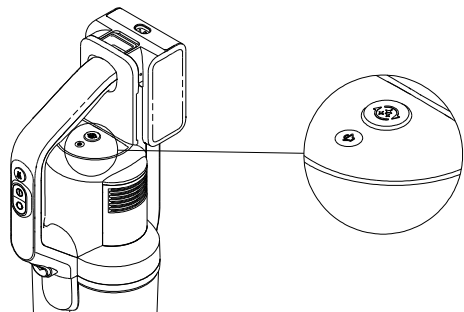
4 Operation

4.8 Smart voice function

Press voice button 3s to close voice function.

Press voice button 3s to restart voice function.

Short press voice button to switch different languages (this product have English, Turkish, Polish languages).



When it is used as a handheld vacuum cleaner, there is no voice broadcast function.

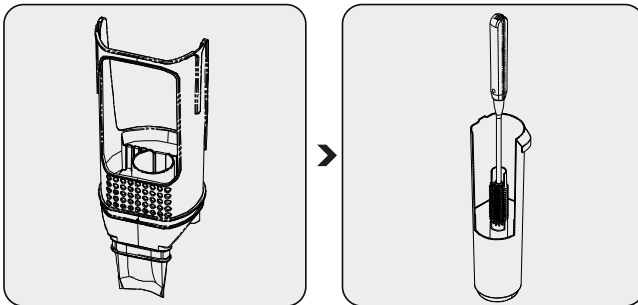
5 Cleaning and maintenance

5.1 Reminder for water shortage in the clean water tank

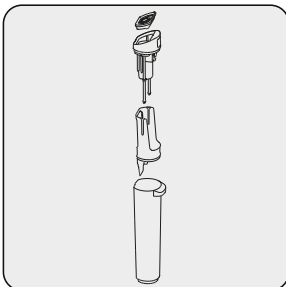
When the machine works normally, use the water spraying function. When the display screen shows water warning icon and the voice reminds that the clean water tank lacks water, you may turn off the machine and then add water to the clean water tank and continue to use.

When the self-cleaning mode is used, if no water is detected in the clean water tank, the self-cleaning mode will be stopped. If you need to work normally, please add water to the clean water tank, and then restart the self-cleaning mode. (Press the self-cleaning button within 5 minutes from the beginning when detecting water shortage in the water tank, and the machine will automatically return to the unfinished steps before the self-cleaning and continue self-cleaning. If you press the self-cleaning button after 5 minutes, the self-cleaning process starts again).

5.2 Clean the sewage tank



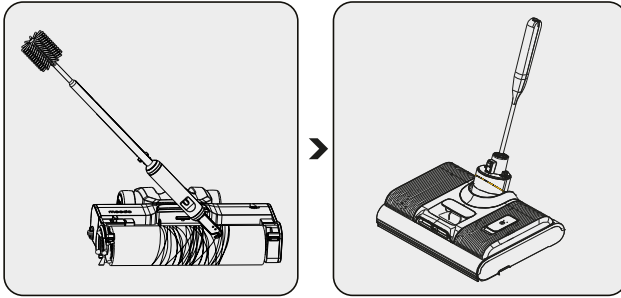
WARNING: When dirty water tank is full, please pour the water and clean mesh basket at same time



After turning off the vacuum cleaner, you shall first take out the sewage tank, lift up and take off its top cover. Then take out the sponge box, open the sponge box cover, and remove the filter sponge and the garbage basket. Pour out the sewage and dirt from the sewage tank, and use the clean water to wash the sewage tank, the garbage basket, the sewage tank cover, the sponge box and the filter sponge. If there are foreign bodies in the sewage tank pipe, clean it with the pipe brush; after that, dry the above parts, and then install the sewage tank parts as the original pattern, and install the sewage tank into the machine to continue to start and use.

5 Cleaning and maintenance

5.3 Clean the double-roller brush assembly

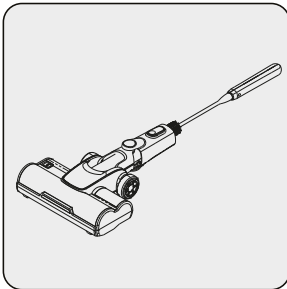


After taking off the clean water tank components, the roller brush and the sewage tank, stretch the multi-functional cleaning brush from the round hole below the installation position of the main body, dredge the foreign matter and scale in the pipe, and hook the blocked hair; use the multi-functional cleaning brush to cut off the wound hair on the roller brush; wipe the machine and the dirty parts with a cloth and then install them to the machine; rinse the dirt attached to the multi-function cleaning brush and put it into the roller brush box.



WARNING: When the machine works / at the cleaning mode, if the roller brush blocks, the machine will shut down and send out a voice reminder. At this time, please take out the roller brush, clean up the foreign matter or the tangled hair caught in the roller brush, and the work can be restored after installation.

5.4 Clean the carpet brush assembly



After taking off the carpet brush, stretch the multi-functional cleaning brush from the round hole below the installation position of the main body, dredge the foreign matter and scale in the pipe, and hook the blocked hair; use the multi-functional cleaning brush to cut off the wound hair on the roller brush; wipe the machine and the dirty parts with a cloth and then install them to the machine; rinse the dirt attached to the multi-function cleaning brush and put it into the roller brush box.



For a better user experience, replacing the filter every 2-3 months (based on daily usage frequency) is recommended.

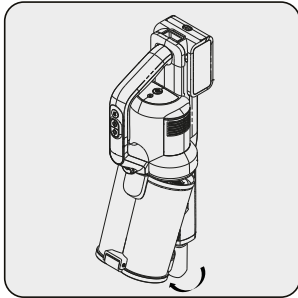


Thoroughly clean and dry the filters, washing head and cover after each use. Make sure the parts are installed correctly.

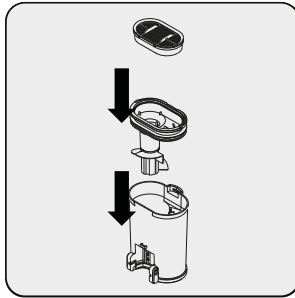
A spare dry filter is supplied with your device for easy replacement.

5 Cleaning and maintenance

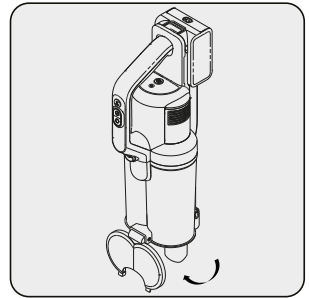
5.5 Clean the dust cup assembly



Press the dust cup release button to take off the dust cup from the handheld vacuum cleaner; hold the metal handle and take out the cyclone assembly upward; take out HEPA and pour out the garbage.

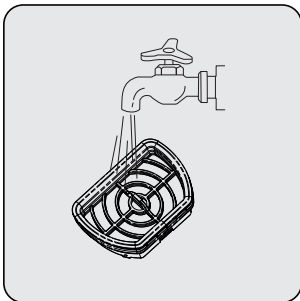


Alternatively, the dust cup may not be removed from the handheld assembly. Directly press the dust cup bottom cover release button on both sides of the dust cup, so that the dust cup bottom cover will bounce off and pour out the garbage.



After cleaning, wiping and drying the parts, assemble the dust cup assembly in turn, and then install it on the handheld vacuum cleaner.

5.6 Cleaning the Filter



Wash and dry the HEPA filter to prevent air infiltration.

5.7 Daily maintenance and storage

After each use, it is recommended to clean the sewage tank, dust cup, roller brush and other parts for next use; as the case may be, if the following situations are found:

1. The filter sponge is seriously damaged;
2. Roller brush hairs are fallen off, and strong vibration and noise occur in the use process

It is recommended to purchase consumables at the designated location and replace them to avoid affecting the machine performance.

When the machine won't be used for a long time, please put the machine in a cool and dry place, not in the direct sunlight or humid environment.

If it is necessary to store the machine in the box, please be sure to clean the machine and dry all parts to prevent machine damage.

6 Problems and remedies

PROBLEM	POSSIBLE CAUSE	SOLUTION
It can not start or stop during use	The product is not powered on or the power is insufficient	Charge the machine in time
	The ON/OFF button is not pressed	Press the On/Off button separately again
	Severe entanglement of the brush	Clean the roller brush in time
	The air duct is blocked	Clean the air duct and filter
	The battery pack is not installed in place	Install the battery pack
Low suction power	The air duct is blocked	Clean the air duct and filter
	HEPA is missed	Install HEPA
Abnormal sound of the machine	The air duct is blocked	Clean the air duct and filter
	HEPA is missed	Install HEPA
No water from the nozzle	No water in the clean water tank	Add water to the clean water tank
	The water-spray button is not pressed	Press the water spray switch
	The clean water tank is not assembled in place	Reinstall the clean water tank
Spray water from the air outlet	No metal filter is installed in the sewage tank	The sewage tank is fitted with a metal filter
	The sewage tank is fitted with a metal filter	The sewage tank is fitted with a metal filter
	The sewage tank is fitted with a metal filter	The sewage tank is fitted with a metal filter



CAUTION: If the product cannot operate normally as per the above steps, please contact our after-sales service department for assistance.



Keep the product's battery fully charged when not in use for a long time.

Proszę najpierw przeczytać ten przewodnik!

Drogi kliencie,

Dziękujemy za wybór produktu Beko. Chcemy, abyś osiągnął optymalną wydajność dzięki temu wysokiej jakości produktowi, który został wyprodukowany przy użyciu najnowocześniejszej technologii. Przed użyciem należy dokładnie przeczytać i zrozumieć ten przewodnik oraz dokumentację uzupełniającą oraz zachować go do wykorzystania w przyszłości. Dołącz ten przewodnik do urządzenia, jeśli przekażesz go komuś innemu. Przestrzegaj wszystkich ostrzeżeń i informacji zawartych w tym dokumencie i postępuj zgodnie z instrukcjami.

Symbole i ich znaczenie

W niniejszej instrukcji stosuje się następujące symbole:



Ważne informacje i porady dotyczące korzystania z urządzenia.



UWAGA: Ostrzeżenia dotyczące obrażeń ciała i szkód materialnych.



Klasa ochrony przed porażeniem elektrycznym.

1 Ważne instrukcje dotyczące bezpieczeństwa i ochrony środowiska

1.1 Ogólne zasady bezpieczeństwa

Aby zmniejszyć ryzyko pożaru, porażenia prądem lub obrażeń, należy przestrzegać następujących wymagań:

Dzieci poniżej 8 roku życia nie powinny używać tego produktu. Dorosli niepełnosprawni, chorzy psychicznie lub pozbawieni doświadczenia i wiedzy sensorycznej powinni używać tego urządzenia prawidłowo i bezpiecznie pod nadzorem dorosłych i być świadomi potencjalnych zagrożeń. Dzieci nie powinny używać produktu samodzielnie oraz nie powinny czyścić i konserwować produktu bez nadzoru osoby dorosłej;

- Urządzenie to nie jest przeznaczone do użytku przez osoby (w tym dzieci) upośledzone fizycznie, sensorycznie lub umysłowo, a także przez osoby niedysponujące dostatecznym doświadczeniem i wiedzą, chyba że zostaną one przyuczone i w pierwszym okresie użytkowania będą nadzorowane przez osobę odpowiedzialną za ich bezpieczeństwo.
- Urządzenie może być używane przez dzieci w wieku od 8 lat wzwyż, jeżeli otrzymały one nadzór lub instrukcję dotyczącą bezpiecznego użytkowania urządzenia i rozumieją związane z tym zagrożenia. Przeprowadzane przez użytkownika czyszczenie i konserwacja nie mogą być wykonywane przez dzieci, chyba że są one w wieku powyżej 8 lat i są pod nadzorem. Trzymaj urządzenie wraz z przewodem z dala od dzieci w wieku poniżej 8 lat.
- To urządzenie może być obsługiwane przez dzieci w wieku 8 lat i starsze, osoby niepełnosprawne fizycznie, psychicznie lub sensorycznie, a także osoby bez doświadczenia lub wiedzy w zakresie obsługi urządzenia, o ile znajdują się one pod nadzorem lub zostały szczegółowo poinstruowane o bezpiecznym korzystaniu z urządzenia i potencjalnych zagrożeniach. Dzieciom nie wolno bawić się tym urządzeniem. Dzieci nie mogą czyścić ani konserwować tego urządzenia bez nadzoru.
- Prosimy przechowywać urządzenie w pomieszczeniach zamkniętych, aby uniknąć zamoczenia;
- Prosimy nie zanurzać urządzenia w wodzie lub innych płynach;
- Prosimy nie używać urządzenia mokrymi rękami;
- Prosimy nie używać urządzenia jeśli urządzenie spadnie, pęknie lub wpadnie do wody, prosimy o przesłanie urządzenia do autoryzowanego serwisu w celu naprawy;
- Prosimy nie używać urządzenia, jeśli przewód zasilający lub wtyczka są uszkodzone;
- Prosimy ostrożnie wyciągnąć kabel;
- Prosimy nie uszkodzić przewodu zasilającego: Nie podnoś urządzenia za przewód zasilający, nie zaciskaj przewodu zasilającego, nie przyciągaj przewodu zasilającego do ostrej krawędzi lub narożnika. Nie używaj urządzenia nad przewodem zasilającym. Trzymaj kable z dala od nagranych powierzchni;
- Prosimy nie używać przedłużaczy. Wtyczka powinna być włożona bezpośrednio do gniazdka elektrycznego;
- Prosimy nie blokować wlotu urządzenia, aby nie ograniczać przepływu powietrza;
- Proszę nie używać urządzenia, gdy wlot jest zablokowany;
- Proszę trzymać włosy, luźne ubrania, palce lub jakąkolwiek część ciała z dala od wlotu, aby uniknąć niebezpieczeństwa;
- Prosimy nie czyścić niczego, co się pali lub dymi, np. papierosów, zapalek czy gorącego popiołu;
- Prosimy nie czyścić substancji łatwopalnych, takich jak płyn do zapalniczek, benzyna czy nafta, a w przypadku cieczy wybuchowych - pary wodnej;
- Prosimy nie czyścić farb, rozcieńczalników do farb, niektórych materiałów odpornych na mole lub oparów wydzielanych przez łatwopalne kurz lub inne wybuchowe lub toksyczne opary;
- Prosimy nie czyścić substancji toksycznych, takich jak wybielacz chlorowy, amoniak, pogłębiacz do rur czy benzyna;
- Prosimy nie używać urządzenia do innych celów niż wymienione w niniejszej instrukcji;
- Prosimy o korzystanie wyłącznie z akcesoriów zalecanych przez producenta. Używanie części niedostarczonych lub niesprzedawanych przez producenta może spowodować pożar, porażenie prądem lub obrażenia ciała;
- Prosimy używać oficjalnego przewodu zasilającego;
- Prosimy unikać kurzu, kłaczek, włosów i innych materiałów gromadzących się we wlocie;

1 Ważne instrukcje dotyczące bezpieczeństwa i ochrony środowiska

- Prosimy o dokładne posprzątanie schodów;
- Jeśli ładowarka jest uszkodzona, musi zostać wymieniona przez oficjalny serwis producenta;
- Prosimy pamiętać o prawidłowym zamontowaniu zbiornika na wodę i rolki szczotki;
- Prosimy nie używać ani nie przechowywać urządzenia w nieodpowiednich warunkach, takich jak wysoka temperatura lub niska wilgotność. Prosimy przechowywać urządzenie w wentylowanym miejscu, aby uniknąć bezpośredniego działania promieni słonecznych;
- Prosimy trzymać dzieci z dala od urządzenia, gdy urządzenie jest włączone lub stygnie;
- Prosimy nie czyścić skóry, woskowanych mebli lub podłóg, włókien syntetycznych, aksamitu oraz innych materiałów wrażliwych na działanie pary wodnej;
- Podczas używania urządzenia należy trzymać palce, włosy i luźną odzież z dala od ruchomych części i otworów.
- Dzieci nie należy pozostawiać bez opieki, aby mieć pewność, że nie będą się one bawić urządzeniem.
- W razie uszkodzenia przewodu zasilającego należy go wymienić u producenta, jego przedstawiciela lub u osoby o równoważnych kwalifikacjach, aby uniknąć niebezpieczeństwa.
-  Zmotoryzowana głowica czyszcząca do czyszczenia z zasysaniem wody.
- **OSTRZEŻENIE:** W celu naładowania akumulatora należy korzystać jedynie z odłączanej jednostki zasilania PW503-6 dostarczonej wraz z urządzeniem.
- Akumulator trzeba wyjąć z urządzenia, zanim zostanie zełomowany.
- Podczas wyjmowania akumulatora należy odłączyć urządzenie od prądu;
- Akumulatory należy utylizować zgodnie z lokalnymi przepisami.
- Używaj tylko z akumulatorem T-DC71-SJ
- Wyjmij i włóż akumulatory zgodnie z oznaczeniami
- Zawsze używaj akumulatorów tego samego typu. Nie mieszaj nowych i starych akumulatorów
- Akumulatory należy wkładać z zachowaniem właściwej biegunowości
- Zużyte akumulatory należy wyjąć z urządzenia i bezpiecznie zutylizować
- Jeśli urządzenie nie będzie używane przez dłuższy czas, należy wyjąć z niego akumulatory
- Zaciski zasilania nie mogą być zwierane
- Uszkodzenie lub niewłaściwe użytkowanie może spowodować wyciek z akumulatora. W takim przypadku należy zaprzestać używania akumulatora i nie wolno dotykać go gołymi rękami; należy go bezpiecznie zutylizować
- Nie wystawiaj akumulatorów na bezpośrednie działanie światła słonecznego i źródła gorąca.
- Przed czyszczeniem lub konserwacją urządzenia należy wyjąć wtyczkę z gniazdka.

1 Ważne instrukcje dotyczące bezpieczeństwa i ochrony środowiska

1.2 Zgodność z dyrektywą WEEE i utylizacja produktu



Ten produkt jest zgodny z dyrektywą WEEE UE (2012/19/EU). Produkt nosi symbol klasyfikacyjny dla zużytego sprzętu elektrycznego i elektronicznego (WEEE).

Ten symbol wskazuje, że po zakończeniu okresu użytkowania tego produktu nie należy go wyrzucać razem z innymi odpadami domowymi. Zużyte urządzenie należy oddać do specjalnego punktu zbiórki zużytego sprzętu elektrycznego i elektronicznego w celu utylizacji. Aby uzyskać informacje o punktach zbiórki w swojej okolicy należy skontaktować się z lokalnymi władzami lub punktem sprzedaży tego produktu. Gospodarstwo domowe spełnia ważną rolę w przyczynianiu się do ponownego użycia i odzysku zużytego sprzętu. Odpowiednie postępowanie ze zużytym sprzętem zapobiega potencjalnym negatywnym konsekwencjom dla środowiska naturalnego i ludzkiego zdrowia.

1.3 Informacje o opakowaniu



Opakowanie urządzenia zostało wytworzone z materiałów nadających się do recyklingu zgodnie z naszymi krajowymi przepisami dotyczącymi ochrony środowiska. Nie wyrzucaj opakowania razem z odpadami domowymi lub innymi odpadami. Należy je dostarczyć do punktów odbioru materiałów opakowaniowych wyznaczonych przez władze lokalne.

1.4 Informacje dotyczące zużytych akumulatorów



Ten symbol na akumulatorach/bateriach lub na opakowaniu wskazuje, że akumulator/bateria nie mogą być wyrzucane wraz ze zwykłymi śmieciami domowymi. W przypadku niektórych akumulatorów/baterii, ten symbol może być uzupełniony o symbol chemiczny. Jeżeli akumulatory zawierają powyżej 0,0005% rtęci lub powyżej 0,004% ołowiu, wówczas dodatkowo umieszczone są symbole Hg dla rtęci i Pb dla ołowiu.

Akumulator/baterie, włącznie z tymi, które nie posiadają w swym składzie metali ciężkich, nie mogą być wyrzucane razem z odpadami domowymi. Zawsze utylizuj zużyte baterie zgodnie z lokalnymi przepisami dotyczącymi ochrony środowiska. Zapytaj o obowiązujące przepisy dotyczące utylizacji w miejscu swojego zamieszkania.

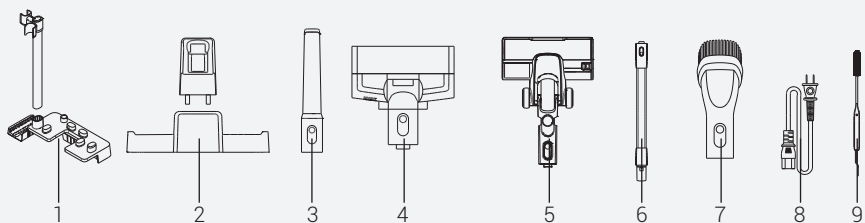
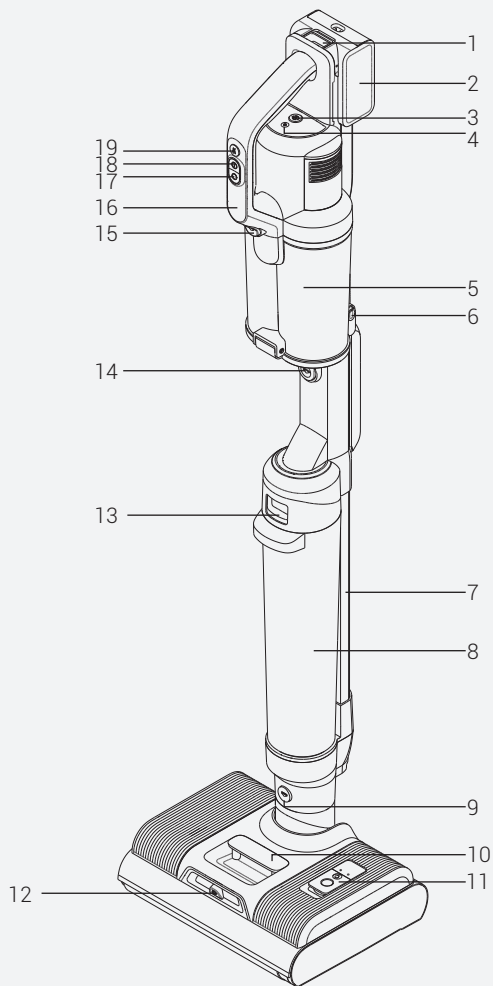
1.5 Zgodność z dyrektywą RoHS

Zakupione urządzenie jest zgodne z dyrektywą UE RoHS (2011/65/UE). Nie zawiera szkodliwych i zakazanych materiałów, podanych w tej dyrektywie.

1.6 Działania, które należy podjąć w celu oszczędzania energii

- Aby uniknąć zbędnego zużycia energii podczas użytkowania urządzenia, ustaw poziomy prędkości w zależności od zamiatanej podłogi.
- W normalnych warunkach do czyszczenia podłóg twardych, zasłon i kanap używa się niskich prędkości, a do czyszczenia dywanów - wysokich.

2 Omówienie



2 Omówienie

2.1 Elementy sterujące i komponenty

1. Przycisk zwalniający akumulator
2. Zespół akumulatora
3. Przycisk samoczyszczenia
4. Przycisk wyciszenia
5. Zespół pojemnika na kurz
6. Przycisk zwalniający dolną pokrywę pojemnika na kurz
7. Metalowa rurka
8. Zbiornik na zanieczyszczenia
9. Przycisk zwalniania szczotki podłogowej
10. Uchwyt zbiornika na czystą wodę
11. Ujście wtrysku wody zbiornika na czystą wodę
12. Dzióbek spryskiwacza wody
13. Przycisk zwalniający zbiornik na zanieczyszczenia
14. Ręczny przycisk zwalniający
15. Ręczny przycisk zwalniający pojemnik na kurz
16. Wyświetlacz
17. Przycisk koła zębatego
18. Przycisk ON/OFF
19. Przycisk spryskiwacza wody

2.2 Akcesoria

1. Zespół uchwytu na akcesoria
2. Uchwyt do ładowania
3. Płaskie ssanie
4. Szczotka do sierści zwierząt
5. Szczotka do dywanów
6. Metalowa rurka
7. Ssanie sof
8. Kabel zasilania
9. Wielofunkcyjna szczotka do czyszczenia

2.3 Dane techniczne

Nominalna moc wejściowa	400 W
Wejście	220-240V 50-60Hz
Wodoodporny	IPX4 dla EB123
Moc wyjściowa	25,8 Vdc 1,0 A
Czas ładowania	4 – 5,5 godz.
Czas pracy przy maksymalnej mocy	40 minut

Wartości dostarczone z instrumentem lub dołączoną dokumentacją są odczytami laboratoryjnymi według odpowiednich norm. Wartości te mogą się różnić w zależności od warunków pracy i warunków otoczenia.

Czas pracy przy minimalnej mocy	60 minut
Pomiar czasu ręczny turbo	32 min
Czas pracy przy maksymalnej mocy	1) Ręczny tryb maksymalny: 38 min 2) Tryb maksymalny suchej szczotki bocznej: 26 min 3) Tryb Wet&Dry: 16 min
Czas pracy przy min. mocy	1) Tryb ręczny min.: 60 min 2) tryb min. po stronie suchej szczotki: 50 min 3) Tryb Wet&Dry: 25 min

2.4 Specyfikacja produktu

To urządzenie ma trzy funkcje: Odkurzanie; mopowanie i samoczyszczenie.

Pojemność zbiornika na czystą wodę: 650 ml

Pojemność zbiornika na brudną wodę: 400 ml

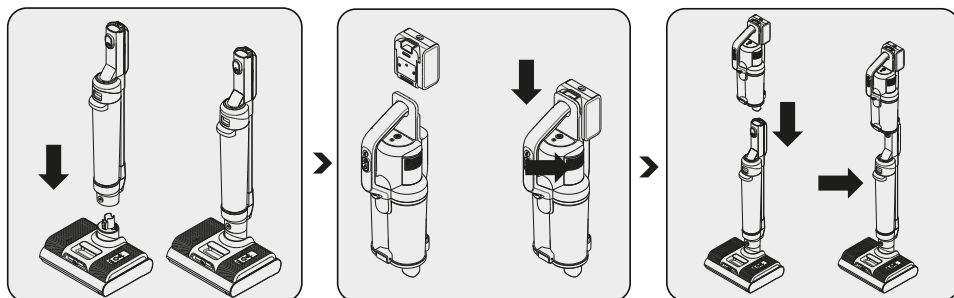
- **OSTRZEŻENIE!** Używaj tylko wody o temperaturze poniżej 25°C. Nie używaj wrzącej wody. Nie używaj silnie pieniących się detergentów.

2.4.1 Czyszczenie powierzchni podłogi

Urządzenie wyposażone jest w zbiornik na czystą wodę, zbiornik na brudną wodę, szczotkę walcową do czyszczenia podłóg, silniki i inne moduły funkcjonalne. Do szczotki walcowej do czyszczenia podłóg pompowana jest woda, a silnik szczotki obraca się z dużą prędkością, czyszcząc powierzchnie. Po wyczyszczeniu podłogi brudna woda jest zasysana przez silnik ssący z powrotem do zbiornika na brudną wodę. Podczas procesu czyszczenia podłogi można regulować lub anulować poziom natryskiwania wody na szczotkę walcową.

3 Instalacja

3.1 Montaż uchwyty

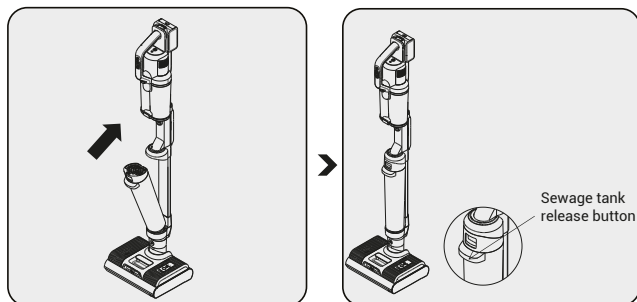


Umieść uchwyt pionowo na korpusie.

Montaż zostanie zakończony po usłyszeniu „kliknięcia”.

Po usłyszeniu dźwięku „kliknięcia” upewnij się, że zestaw ręczny jest dokręcony, a nie poluzowany, co oznacza, że instalacja przebiegła pomyślnie.

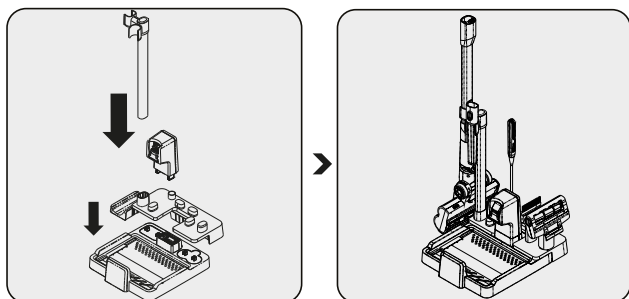
3.2 Montaż zbiornika na zanieczyszczenia



Najpierw włóż spód zbiornika na zanieczyszczenia do rowka tacy korpusu głównego, a następnie dociśnij zbiornik na zanieczyszczenia do korpusu głównego, wciskając go do środka, aż usłyszysz dźwięk „kliknięcia”.

3 Instalacja

3.3 Montaż zespołu uchwytu ładowarki

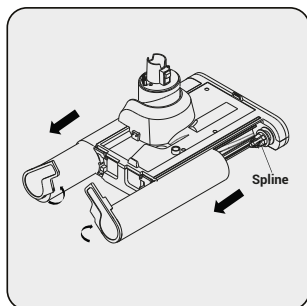


Demontaż:

Najpierw umieść podstawkę. Następnie przymocuj komorę urządzenia na górze równomiernie za pomocą zaczepów stojaka. Podłącz urządzenie ładujące na górze

Dociśnij zespół głowicy ładującej, zespół wieszaka na akcesoria do pozycji pokazanej na rysunkach w kierunku uchwytu ładowania. Po usłyszeniu dźwięku „kliknięcia” hak zostanie zatrzaśnięty w odpowiedniej pozycji otworu, a instalacja zakończy się pomyślnie.

3.4 Demontaż i montaż pokrywy szczotki walcowej



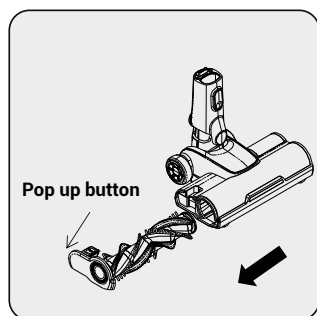
- Aby zdemonstrować zespół szczotki walcowej, konieczne jest zdjęcie zespołu zbiornika na wodę.
- Następnie jedną ręką możesz nacisnąć szczotkę podłogową, a drugą obrócić pokrywę końcową szczotki walcowej do góry i wyjąć szczotkę walcową na zewnątrz; podczas montażu zespołu szczotki walcowej najpierw wyrównaj drugi koniec szczotki walcowej z wielowypustem, obróć go do końca, a następnie wepchnij szczotkę walcową do wewnątrz, obróć pokrywę końcową szczotki walcowej w dół i zamocuj ją we właściwym miejscu.
- Zainstaluj zbiornik na czystą wodę



Nie używaj na dywanie, gdy produkt działa w trybie mopa. Jeśli produkt ma być używany na dywanie, należy go używać z dyszą odkurzacza do pracy na sucho.

3 Instalacja

3.5 Demontaż i montaż szczotki do dywanów



Aby wyjąć szczotkę walcową z zespołu szczotki do dywanów, należy nacisnąć wyskakujący przycisk na szczotce walcowej. Podczas montażu szczotki walcowej należy wyrównać drugi koniec szczotki walcowej z otworem w zespole szczotki do dywanów, obrócić ją do wewnątrz i zamontować na miejscu.

4 Obsługa

4.1 Sposób działania



Jeśli po czyszczeniu na podłodze pozostanie woda, zaleca się użycie trybu czyszczenia na sucho.

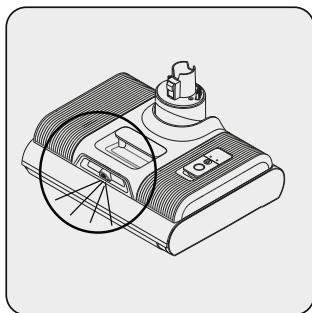


OSTRZEŻENIE! Używaj wyłącznie z zalecanym niskopieniącym detergentem. Wystarczy dodać kilka kropli (10 ml) zalecanego środka do czyszczenia podłóg do zbiornika czystej wody. Jeśli wystąpi nieoczekiwane pienienie, należy zmniejszyć ilość detergentu. Uformowana pianka może zmniejszyć wydajność urządzenia.



OSTRZEŻENIE! Przed użyciem należy sprawdzić zasilanie urządzenia. W przypadku braku zasilania należy naładować urządzenie na czas i używać go po pełnym naładowaniu.

4.2 Funkcja spryskiwania wodą



- 1 Gdy urządzenie pracuje, naciśnij i przytrzymaj przycisk spryskiwania wodą, a dysza wodna rozpyli wodę w kształcie wachlarza; zwolnij przycisk spryskiwania wodą, aby zatrzymać rozpylanie wody.
- 2 Funkcja zraszania wewnętrznego jest włączona tylko w trybie Auto (Włącz zraszanie wewnętrzne) i Max (Włącz zraszanie wewnętrzne). Gdy urządzenie jest włączone, a przycisk spryskiwania wodą nie jest naciśnięty, uruchamiana jest funkcja spryskiwania wewnętrznego, a woda jest rozpylana na szczotkę walcową od wewnątrz; po naciśnięciu przycisku spryskiwania wodą funkcja spryskiwania wewnętrznego zostaje zatrzymana, a dysza spryskująca rozpyla wodę w kształcie wachlarza; po zwolnieniu przycisku spryskiwania wodą dysza spryskująca zatrzymuje wodę, a funkcja spryskiwania wewnętrznego nadal działa.



1. Przycisk natrysku wody nie może być używany jednocześnie z przyciskiem włącznika lub przyciskiem regulacji prędkości.
2. Zaleca się korzystanie z trybu Max, gdy środowisko jest silnie zanieczyszczone lub występuje więcej plam z wody.



Gdy urządzenie pracuje w pozycji poziomej, zasilanie automatycznie spada, co jest normalnym zjawiskiem. W tym czasie urządzenie nie może gwałtownie się trząść, aby uniknąć przedostania się wody do pojemnika na kurz.



OSTRZEŻENIE! Podłącz kabel zasilający do źródła zasilania, umieść urządzenie w uchwycie do ładowania i przejdź do trybu ładowania.

4 Obsługa

4.3 Funkcja suszenia szczotką walcową

W trybie ładowania naciśnij przycisk prędkości na uchwycie, aby przejść do trybu suszenia szczotki walcowej przez 2 godziny. Podczas procesu suszenia silnik szczotki podłogowej pracuje przez 2 s w odstępie 3 minut. Wentylator i element grzejny PTC działają w trakcie całego procesu. Po tym urządzenie powróci do trybu ładowania; naciśnij ponownie przycisk prędkości, aby zamknąć tryb suszenia szczotki walcowej. Po zakończeniu lub przerwaniu suszenia należy wyczyścić wentylator i wyłączyć go z 3-minutowym opóźnieniem.

4.4 Podłogowa szczotka walcowa i funkcja samoczyszczenia rury



W trybie ładowania naciśnij przycisk samoczyszczenia, aby przejść do trybu czyszczenia. Po samoczyszczeniu urządzenie przechodzi w tryb suszenia szczotki walcowej. Podczas samooczyszczania naciśnij przycisk włączania/wyłączania lub przycisk prędkości, aby wcześniej zakończyć tryb samooczyszczania i powrócić do trybu ładowania.

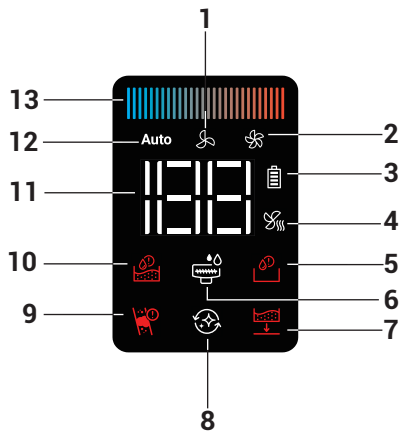
W trybie samoczyszczenia czyszczona jest rura i podłogowa szczotka walcowa.

Przed uruchomieniem trybu czyszczenia należy wylać zanieczyszczenia ze zbiornika na zanieczyszczenia, sprawdzić, czy urządzenie stoi stabilnie na uchwycie do ładowania, kabel zasilający jest podłączony do gniazda zasilania, kabel zasilający jest podłączony do uchwytu do ładowania, a w zbiorniku na czystą wodę pozostaje co najmniej 1/2 wody; po samooczyszczeniu należy ponownie wyczyścić zbiornik na zanieczyszczenia.

Gdy poziom naładowania wynosi $\leq 10\%$, nie można włączyć trybu czyszczenia i trybu suszenia, a z urządzenia można korzystać dopiero po pewnym czasie ładowania.

4 Obsługa

4.5 Wyświetlacz informacyjny



1. Tryb maksymalny
2. Tryb turbo
3. Stan naładowania baterii
4. Funkcja suszenia wałków
5. Brak czystej wody w zbiorniku
6. Funkcja spryskiwacza w szczotce
7. Zbiornik na brudną wodę jest niewłaściwie zamontowany
8. Funkcja samoczyszczenia
9. Zablockowanie rury lub szczotki
10. Zbiornik na brudną wodę jest pełny
11. Pozostały czas pracy
12. Tryb automatyczny
13. Wybrany tryb mocy

Naciśnij przycisk ON/OFF, a ekran wyświetlacza zostanie podświetlony. Domyślnie przejdzie w tryb automatyczny (włączenie wewnętrznego zraszania wodą). Po uruchomieniu urządzenia otwórz automatycznie wewnętrzny spryskiwacz wodą i włącz tryb automatyczny oraz ikonę wewnętrznego spryskiwacza wodą. Zewnętrznym natryskiem wody można sterować ręcznie; naciśnij przycisk regulacji prędkości na uchwycie, aby przełączyć na tryb Max (wewnętrzny natrysk wody jest włączony). Po przełączeniu automatycznie włącza się wewnętrzny natrysk wody. Podświetlony jest tryb Max i ikona wewnętrznego natrysku wody. Zewnętrznym rozpylaniem wody można sterować ręcznie. Następnie naciśnij przycisk regulacji prędkości na uchwycie, aby przełączyć na tryb Max (wewnętrzny natrysk wody wyłączony). Po przełączeniu wewnętrzny natrysk wody nie jest domyślnie włączony. Gdy świeci się tryb Max, ikona wewnętrznego natrysku wody jest wyłączona, a zewnętrznym natryskiem wody można sterować ręcznie. Można go przełączać w cyklu; Naciśnij ponownie przycisk przełącznika uchwytu, aby wyłączyć urządzenie i wyłączyć ekran wyświetlacza.

Pasek wyświetlacza pokazuje brud na podłodze. Wskazuje, że w trybie automatycznym ilość zanieczyszczeń zmniejsza się z czerwonego do niebieskiego.

4 Obsługa

4.6 Używanie urządzenia z zespołem szczotki do dywanów

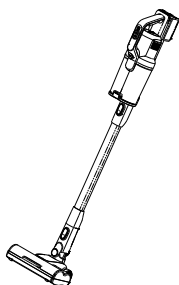
Po zainstalowaniu metalowej rury i zespołu szczotki do dywanów na uchwycie ręcznym, naciśnij przycisk włączania/wyłączania, ekran wyświetlacza zaświeci się i domyślnie przejdzie w tryb automatyczny. Naciśnij przycisk regulacji prędkości na uchwycie, aby przełączyć na tryb Max, a następnie ponownie naciśnij przycisk regulacji prędkości na uchwycie, aby przełączyć na tryb Auto, który można przełączać cyklicznie.

Naciśnij przycisk ON/OFF na uchwycie, aby wyłączyć urządzenie i ekran wyświetlacza.



Gdy urządzenie pracuje w pozycji poziomej, zasilanie automatycznie spada, co jest normalnym zjawiskiem. W tym czasie urządzenie nie może gwałtownie się trząść, aby uniknąć przedostania się wody do pojemnika na kurz.

1. Obsługa zespołu szczotki do dywanów jest podobna do obsługi zespołu szczotki z podwójnym walcem, lecz zespół szczotki do dywanów nie jest wyposażony w zbiornik na czystą wodę, więc nie może rozpylać ani wchłaniać wody
2. Gdy poziom naładowania spadnie poniżej 20%, urządzenie nie może przełączyć się w tryb Max lub Turbo.



4.7 Korzystanie z odkurzacza ręcznego i akcesoriów

4.7.1 Wyłącz odkurzac ręczny, naciśnij przycisk wyłącznika ręcznego, a ekran wyświetlacza zaświeci się. Domyślnie przełącza się w tryb automatyczny. Naciśnij przycisk ręcznej regulacji prędkości, aby przełączyć na tryb Max, a następnie naciśnij przycisk ręcznej regulacji prędkości, aby przełączyć na tryb Turbo, który można przełączać cyklicznie. Ponowne naciśnięcie przycisku ręcznego włączania/wyłączania spowoduje wyłączenie odkurzacza ręcznego i ekranu wyświetlacza.

4.7.2 Ssawkę do łóżka, ssawkę płaską, ssawkę do sof, metalową rurę i szczotkę do dywanów oraz inne akcesoria można włożyć do gniazda ssącego odkurzacza ręcznego w celu dostosowania do różnych środowisk.

4.7.3 W przypadku dopasowania z płaską ssawką i ssawką do łóżka, wyrównaj płaską ssawkę z portem ręcznym i popchnij ją w górę, aż usłyszysz dźwięk blokady – wtedy instalacja zostanie zakończona. Naciśnij przycisk sprężynowy na płaskiej ssawce, wyciągnij płaską ssawkę w dół i wyjmij płaską ssawkę z odkurzacza ręcznego.

4.7.4 W połączeniu ze szczotką do łóżka, może odkurzać kurz na sofie, łóżku i inny kurz; wyrównaj port szczotki do łóżka z portem odkurzacza ręcznego i popchnij go w górę, aż usłyszysz dźwięk blokady – wtedy instalacja zostanie zakończona; naciśnij przycisk na szczotce do łóżka, wyciągnij ją w dół i wyjmij.

4.7.5 W przypadku metalowej rury i szczotki do dywanów wyrównaj port akcesorium z portem ręcznego odkurzacza i popchnij go w górę, aż usłyszysz dźwięk blokady – wtedy instalacja zostanie zakończona; naciśnij przycisk sprężyny na akcesorium, wyciągnij akcesorium w dół i wyjmij je z ręcznego odkurzacza.

4 Obsługa



Gdy poziom naładowania baterii spadnie poniżej 20%, urządzenia nie można przełączyć w tryb Max lub Turbo:

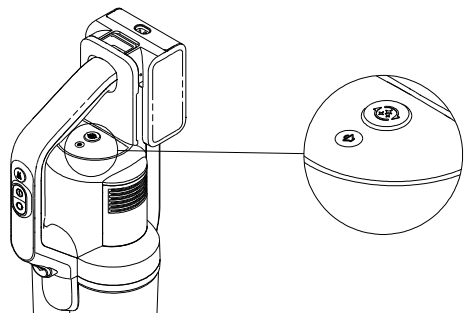
2. Gdy jest używany jako odkurzacz ręczny, przetworniki nie wchłaniają wody.
3. Akcesoria można dobrać w zależności od potrzeb, wszystkie akcesoria są sprzedawane przez dystrybutora.

4.8 Inteligentna funkcja głosowa

Naciśnij przycisk głosowy przez 3 sekundy, żeby wyłączyć komunikaty głosowe.

Naciśnij przycisk głosowy przez 3 sekundy, żeby uruchomić komunikaty głosowe.

Krótko naciśnij przycisk głosowy, aby przełączać różne języki (ten produkt ma język angielski, turecki i polski).



W przypadku korzystania z urządzenia jako odkurzacza ręcznego nie jest dostępna funkcja transmisji głosowej.

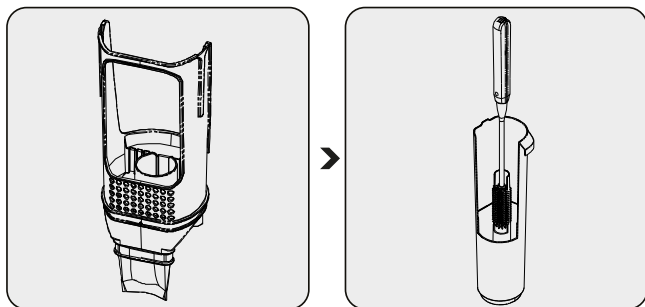
5 Czyszczenie i konserwacja

5.1 Przypomnienie o braku wody w zbiorniku na czystą wodę

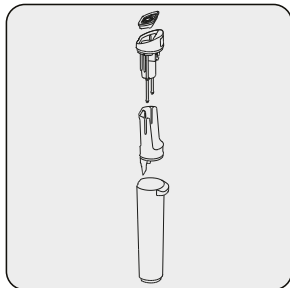
Gdy urządzenie działa normalnie, należy użyć funkcji rozpylania wody. Gdy na wyświetlaczu pojawi się ikona ostrzeżenia o braku wody, a głos przypomni, że w zbiorniku na czystą wodę brakuje wody, można wyłączyć urządzenie, a następnie dolać wody do zbiornika na czystą wodę i kontynuować użytkowanie.

Jeśli w zbiorniku na czystą wodę nie zostanie wykryta woda, tryb samooczyszczania zostanie zatrzymany. W przypadku konieczności normalnej pracy należy dolać wody do zbiornika czystej wody, a następnie ponownie uruchomić tryb samooczyszczania. (Naciśnij przycisk samooczyszczania w ciągu 5 minut od rozpoczęcia w przypadku wykrycia braku wody w zbiorniku na wodę, a urządzenie automatycznie powróci do niedokończonych kroków przed samooczyszczaniem i będzie kontynuować samooczyszczanie. Po naciśnięciu przycisku samooczyszczania po 5 minutach proces samooczyszczania rozpocznie się ponownie).

5.2 Czyszczenie zbiornika na nieczystości



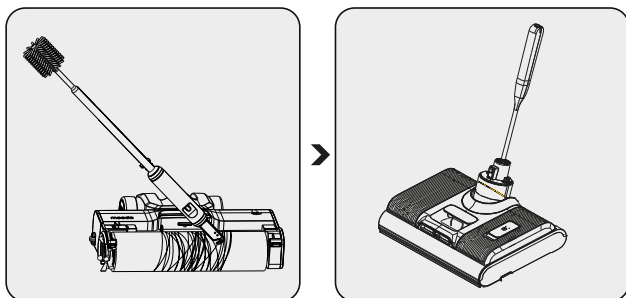
OSTRZEŻENIE: Gdy zbiornik na brudną wodę jest pełny, należy wylać wodę i wyczyścić kosz siatkowy w tym samym czasie



Po wyłączeniu odkurzacza należy najpierw wyjąć zbiornik na zanieczyszczenia, podnieść i zdjąć jego górną pokrywę. Następnie wyjmij pojemnik na gąbkę, otwórz pokrywę pojemnika na gąbkę i wyjmij gąbkę filtrującą oraz kosz na śmieci. Wylej zanieczyszczenia i brud ze zbiornika na zanieczyszczenia, a następnie użyj czystej wody, aby umyć zbiornik na zanieczyszczenia, kosz na śmieci, pokrywę zbiornika na zanieczyszczenia, pojemnik na gąbkę i gąbkę filtracyjną. Jeśli w rurze zbiornika na zanieczyszczenia znajdują się ciała obce, wyczyść ją szczotką do rur; następnie wysusz powyższe części, a potem zainstaluj części zbiornika na zanieczyszczenia zgodnie z oryginalnym wzorem i zainstaluj zbiornik na zanieczyszczenia w urządzeniu, aby kontynuować uruchamianie i użytkowanie.

5 Czyszczenie i konserwacja

5.3 Czyszczenie zespołu podwójnej szczotki walcowej

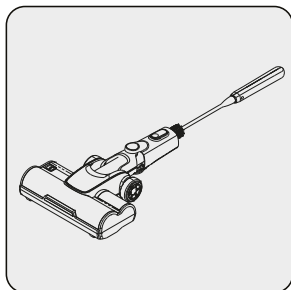


Po zdjęciu elementów zbiornika na czystą wodę, szczotki walcowej i zbiornika na zanieczyszczenia, wyciągnij wielofunkcyjną szczotkę czyszczącą z okrągłego otworu poniżej pozycji montażowej głównego korpusu, usuń ciała obce i kamień w rurze i zahacz zablokowane włosy; użyj wielofunkcyjnej szczotki czyszczącej, aby odciąć nawinięte włosy na szczotce walcowej; wytrzyj maszynę i brudne części szmatką, a następnie zainstaluj je w maszynie; splucz brud przymocowany do wielofunkcyjnej szczotki czyszczącej i włóż ją do pojemnika na szczotkę walcową.



OSTRZEŻENIE: Jeśli w trakcie pracy urządzenia w trybie czyszczenia szczotka walcowa zablokuje się, urządzenie wyłączy się i wysśle przypomnienie głosowe. W tym czasie należy wyjąć szczotkę walcową, usunąć ciała obce lub splątane włosy, które dostały się do szczotki walcowej.

5.4 Czyszczenie zespołu szczotki do dywanów



Po zdjęciu szczotki do dywanów, wyciągnij wielofunkcyjną szczotkę czyszczącą z okrągłego otworu poniżej pozycji montażowej głównego korpusu, usuń ciała obce i kamień w rurze i zahacz zablokowane włosy; użyj wielofunkcyjnej szczotki czyszczącej, aby odciąć nawinięte włosy na szczotce walcowej; wytrzyj maszynę i brudne części szmatką, a następnie zainstaluj je w maszynie; splucz brud przymocowany do wielofunkcyjnej szczotki czyszczącej i włóż ją do pojemnika na szczotkę walcową



Aby zapewnić lepsze wrażenia z użytkowania, zaleca się wymianę filtra co 2-3 miesiące (w oparciu o codzienną częstotliwość użytkowania).

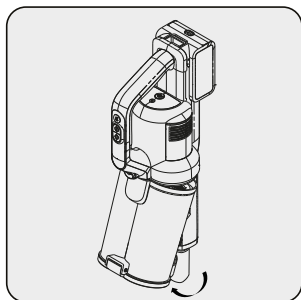


Po każdym użyciu należy dokładnie wyczyścić i wysuszyć filtry, głowicę myjącą i pokrywę. Upewnij się, że części są prawidłowo zainstalowane.

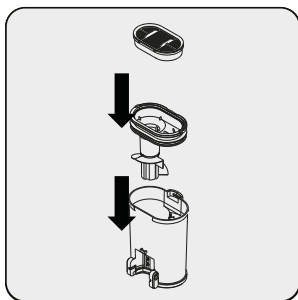
Zapasowy filtr suchy jest dostarczany wraz z urządzeniem, co ułatwia jego wymianę.

5 Czyszczenie i konserwacja

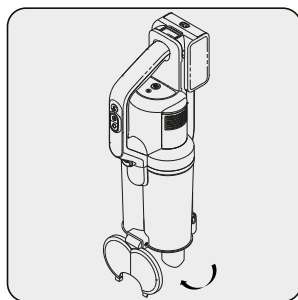
5.5 Czyszczenie zespołu pojemnika na kurz



Naciśnij przycisk zwalniający pojemnik na kurz, aby zdjąć pojemnik z odkurzacza ręcznego; przytrzymaj metalowy uchwyt i wyjmij zespół cyklonu do góry; wyjmij HEPA i usuń śmieci.

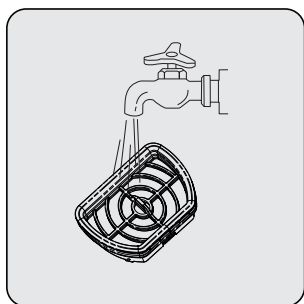


Alternatywnie, pojemnik na kurz może nie być wyjmowany z zestawu ręcznego. Naciśnij przycisk zwalniający dolną pokrywę pojemnika na kurz po obu stronach pojemnika na kurz, aby dolna pokrywa pojemnika na kurz odbiła się i wysypała śmieci.



Po wyczyszczeniu, wytarciu i wysuszeniu części należy kolejno złożyć zespół pojemnika na kurz, a następnie zamontować go na odkurzaczu ręcznym.

5.6 Czyszczenie filtra



Umyj i wysusz filtr HEPA, aby zapobiec infiltracji powietrza.

5.7 Codzienna konserwacja i przechowywanie

Po każdym użyciu zaleca się wyczyszczenie zbiornika na zanieczyszczenia, pojemnika na kurz, szczotki walcowej i innych części do następnego użycia; w zależności od przypadku, jeśli wystąpią następujące sytuacje:

1. Gąbka filtra jest poważnie uszkodzona;
2. Włosie szczotki walcowej wypada, a podczas użytkowania występują silne wibracje i hałas

Zaleca się zakup materiałów eksploatacyjnych w wyznaczonym miejscu i ich wymianę, aby uniknąć wpływu na wydajność urządzenia.

Jeśli urządzenie nie będzie używane przez dłuższy czas, należy umieścić je w chłodnym i suchym miejscu, z dala od bezpośredniego światła słonecznego lub wilgotnego otoczenia.

Jeśli konieczne jest przechowywanie urządzenia w pudełku, należy je wyczyścić i wysuszyć wszystkie części, aby zapobiec jego uszkodzeniu.

6 Problemy i środki zaradcze

PROBLEM	MOŻLIWA PRZYCZYNA	ROZWIĄZANIE
Brak możliwości uruchomienia lub zatrzymania podczas użytkowania	Produkt nie jest włączony lub zasilanie jest niewystarczające	Naładuj urządzenie na czas
	Przycisk ON/OFF nie został naciśnięty	Ponownie naciśnij oddzielnie przycisk włączania/wyłączania
	Poważne zaplątanie się szczotki	Wyczyść szczotkę walcową w odpowiednim czasie
	Kanał powietrzny jest zablokowany	Wyczyść kanał powietrzny i filtr
	Akumulator nie jest zainstalowany we właściwym miejscu	Instalacja akumulatora
Niska moc ssania	Kanał powietrzny jest zablokowany	Wyczyść kanał powietrzny i filtr
	Pominięto filtr HEPA	Instalacja filtra HEPA
Nietypowy dźwięk urządzenia	Kanał powietrzny jest zablokowany	Wyczyść kanał powietrzny i filtr
	Pominięto filtr HEPA	Instalacja filtra HEPA
Z dyszy nie leci woda	Brak wody w zbiorniku na czystą wodę	Wlej wodę do zbiornika na czystą wodę
	Przycisk spryskiwania wodą nie jest wciśnięty	Naciśnij przełącznik strumienia wody
	Zbiornik na czystą wodę nie jest zamontowany we właściwym miejscu	Zainstaluj ponownie zbiornik na czystą wodę
Rozpylać wodę z wylotu powietrza	W zbiorniku na zanieczyszczenia nie zainstalowano metalowego filtra	Zbiornik na zanieczyszczenia jest wyposażony w metalowy filtr
	Zbiornik na zanieczyszczenia jest wyposażony w metalowy filtr	Zbiornik na zanieczyszczenia jest wyposażony w metalowy filtr
	Zbiornik na zanieczyszczenia jest wyposażony w metalowy filtr	Zbiornik na zanieczyszczenia jest wyposażony w metalowy filtr



UWAGA: Jeśli urządzenie nie może działać normalnie zgodnie z wyżej opisanymi krokami, prosimy o kontakt z naszym serwisem posprzedażowym w celu uzyskania pomocy.



Gdy urządzenie nie będzie używane przez dłuższy czas, należy schować je z akumulatorem naładowanym do pełna.

Droży Klienci,

Dziękujemy za zakup naszych produktów. Jesteśmy przekonani, że nasze urządzenia będą służyć przez lata. Każdy produkt firmy Beko jest objęty 2-letnią gwarancją

Warunki gwarancji Beko S.A.:

BEKO spółka akcyjna z siedzibą w Warszawie (02-134), przy ulicy 1 Sierpnia 6A, wpisana do rejestru przedsiębiorców prowadzonego przez Sąd Rejonowy dla m.st. Warszawy w Warszawie, XIII Wydział Gospodarczy Krajowego Rejestru Sądowego, pod numerem: 0000078147 (dalej: „BEKO”) udziela gwarancji jakości (dalej: „Gwarancja”) na wprowadzone przez BEKO do obrotu na terenie Polski produkty marki BEKO (dalej: „Urządzenia”) osobom, które nabyły te produkty („Użytkownik”) na następujących warunkach:

I. ZAKRES OCHRONY.

1. BEKO gwarantuje, że Urządzenie zakupione przez Użytkownika jest wolne od wad produkcyjnych lub materiałowych, powstałych z przyczyn tkwiących w tym Urządzeniu (dalej: „Wada”), które ujawnią się w ciągu terminu określonego w części II. niniejszych Warunków Gwarancji (dalej: „Okres Gwarancyjny”).
2. W razie ujawnienia się Wady Produktu w trakcie Okresu Gwarancyjnego, zostanie ona usunięta na koszt BEKO w sposób uzależniony od właściwości wady, na zasadach i w zakresie określonym w niniejszych Warunkach Gwarancji.
3. BEKO zobowiązuje się do usunięcia Wady poprzez dokonanie nieodpłatnej naprawy lub wymiany Urządzenia, bądź też reklamacja zgłoszona na podstawie niniejszych Warunków Gwarancji zostanie rozpoznana w inny sposób uzgodniony przez BEKO i Użytkownika.
4. Udzielona gwarancja jest ważna będzie wykonywana wyłącznie na terytorium Rzeczypospolitej Polskiej.

II. CZAS TRWANIA GWARANCJI.

1. Okres Gwarancyjny wynosi 24 miesiące licząc od daty zakupu Urządzenia przez pierwszego Użytkownika.
2. Udzielona gwarancja nie obejmuje Urządzeń, które nie posiadają tabliczki znamionowej Urządzenia.

III. PROCEDURA ZGŁOSZENIA REKLAMACYJNEGO.

1. Wady Urządzenia ujawnione w Okresie Gwarancyjnym będą usuwane pod warunkiem przedstawienia przez Użytkownika dowodu zakupu tego Urządzenia zawierającego oznaczenia niezbędne do jego identyfikacji (model, datę zakupu).
2. W przypadku zgłoszenia wad Urządzeń, które wymagają fachowej instalacji do sieci elektrycznej lub gazowej (tj.: kuchnie, płyty grzewcze i piekarniki elektryczne), realizacja uprawnień z Gwarancji uzależniona jest od przedstawienia przez Użytkownika dowodu, na którym widnieją dane instalatora oraz jego numer uprawnień elektrycznych lub gazowych.

Drodzy Klienci,

Dziękujemy za zakup naszych produktów. Jesteśmy przekonani, że nasze urządzenia będą służyć przez lata. Każdy produkt firmy Beko jest objęty 2-letnią gwarancją

Warunki gwarancji Beko S.A.:

BEKO spółka akcyjna z siedzibą w Warszawie (02-134), przy ulicy 1 Sierpnia 6A, wpisana do rejestru przedsiębiorców prowadzonego przez Sąd Rejonowy dla m.st. Warszawy w Warszawie, XIII Wydział Gospodarczy Krajowego Rejestru Sądowego, pod numerem: 0000078147 (dalej: „BEKO”) udziela gwarancji jakości (dalej: „Gwarancja”) na wprowadzone przez BEKO do obrotu na terenie Polski produkty marki BEKO (dalej: „Urządzenia”) osobom, które nabyły te produkty („Użytkownik”) na następujących warunkach:

I. ZAKRES OCHRONY.

1. BEKO gwarantuje, że Urządzenie zakupione przez Użytkownika jest wolne od wad produkcyjnych lub materiałowych, powstałych z przyczyn tkwiących w tym Urządzeniu (dalej: „Wada”), które ujawnią się w ciągu terminu określonego w części II. niniejszych Warunków Gwarancji (dalej: „Okres Gwarancyjny”).
2. W razie ujawnienia się Wady Produktu w trakcie Okresu Gwarancyjnego, zostanie ona usunięta na koszt BEKO w sposób uzależniony od właściwości wady, na zasadach i w zakresie określonym w niniejszych Warunkach Gwarancji.
3. BEKO zobowiązuje się do usunięcia Wady poprzez dokonanie nieodpłatnej naprawy lub wymiany Urządzenia, bądź też reklamacja zgłoszona na podstawie niniejszych Warunków Gwarancji zostanie rozpoznana w inny sposób uzgodniony przez BEKO i Użytkownika.
4. Udzielona gwarancja jest ważna będzie wykonywana wyłącznie na terytorium Rzeczypospolitej Polskiej.

II. CZAS TRWANIA GWARANCJI.

1. Okres Gwarancyjny wynosi 24 miesiące licząc od daty zakupu Urządzenia przez pierwszego Użytkownika.
2. Udzielona gwarancja nie obejmuje Urządzeń, które nie posiadają tabliczki znamionowej Urządzenia.

III. PROCEDURA ZGŁOSZENIA REKLAMACYJNEGO.

1. Wady Urządzenia ujawnione w Okresie Gwarancyjnym będą usuwane pod warunkiem przedstawienia przez Użytkownika dowodu zakupu tego Urządzenia zawierającego oznaczenia niezbędne do jego identyfikacji (model, datę zakupu).
2. W przypadku zgłoszenia wad Urządzeń, które wymagają fachowej instalacji do sieci elektrycznej lub gazowej (tj.: kuchnie, płyty grzewcze i piekarniki elektryczne), realizacja uprawnień z Gwarancji uzależniona jest od przedstawienia przez Użytkownika dowodu, na którym widnieją dane instalatora oraz jego numer uprawnień elektrycznych lub gazowych.

niezgodnych z odpowiednimi Polskimi Normami i innych niż wymienione w Instrukcji Obsługi Urządzenia;

- d. uszkodzeń mechanicznych, termicznych, chemicznych, korozji, innych uszkodzeń spowodowanych działaniem lub zaniedbaniem Użytkownika lub powstałych na skutek działania sił zewnętrznych (do których zalicza się w szczególności wyładowania atmosferyczne, skoki napięcia, wszystkiego rodzaju awarie domowej instalacji wodno-kanalizacyjnej, itp.), a także powstałych na skutek przedostania się zanieczyszczeń lub ciał obcych do Urządzenia.
- e. elementów ze szkła oraz plastiku;
- f. odbarwień Urządzenia lub poszczególnych jego części;
- g. usterek powstałych w wyniku niewłaściwego montażu Urządzenia w zabudowie meblowej, niezgodnego z Instrukcją Obsługi Urządzenia lub innymi wytycznymi dotyczącymi montażu sprzętu w zabudowie meblowej określonymi przez Producenta;
- h. usterek powstałych na skutek przechowywania i użytkowania Urządzenia w warunkach, które są niezgodne z normalnymi warunkami domowymi określonymi wymaganiami powszechnie obowiązujących przepisów prawa i odpowiednich Polskich Norm.
- i. gwarancji nie podlegają również elementy eksploatacyjne oraz ulegające naturalnemu zużyciu tj.: baterie, noże, filtry, żarówki itp.

V. POZOSTAŁE POSTANOWIENIA.

Niniejsze warunki gwarancji mają zastosowanie do Urządzeń zakupionych od dnia 01.03.2021 r. Gwarant oświadcza, że niniejsza Gwarancja jest udzielana Użytkownikowi dodatkowo i nie wyłącza, nie ogranicza ani nie zawiesza uprawnień Użytkownika wynikających z przepisów o rękojmi za wady rzeczy sprzedanej na podstawie Kodeksu cywilnego.

Lütfen önce bu kılavuzu okuyun!

Değerli Müşterimiz,

Bu Beko ürününü tercih ettiğiniz için teşekkür ederiz. En son teknoloji kullanılarak üretilen bu yüksek kaliteli üründen optimum verim elde etmenizi dileriz. Lütfen kullanmadan önce bu talimatları ve ek belgeleri tamamen okuyun ve referans olarak saklayın. Cihazı bir başkasına devredecekseniz, bu talimatları da cihazla birlikte veriniz. Burada yer alan tüm uyarıları ve bilgileri dikkate alın ve talimatlara uyun.

Semboller ve anlamları

Bu kılavuzda kullanılan semboller:



Cihazın kullanımına ilişkin önemli bilgiler ve tavsiyeler.



DİKKAT: Kişisel yaralanma ve maddi hasara karşı uyarılar.



Elektrik çarpmasına karşı koruma sınıfı.

1 Önemli güvenlik ve çevre talimatları


1.1 Genel güvenlik

Yangın, elektrik çarpması veya yaralanma riskini azaltmak için lütfen bu talimatlara uyun:

8 yaşından küçük çocuklar bu ürünü kullanmamalıdır. Engelli, akıl hastası veya duyuşsal deneyim ve bilgi eksikliği olan yetişkinler bu ürünü normal yetişkin gözetimi altında düzgün ve güvenli bir şekilde kullanmalı ve potansiyel risklerin farkında olmalıdır. Çocuklar ürünü tek başlarına kullanmamalı ve yetişkin gözetimi olmadan temizlememeli ve bakımını yapmamalıdır;

- Bu cihaz, kendi güvenliklerinden sorumlu kişilerin gözetimi altında olmamaları veya cihazın kullanımı ile ilgili talimatlar verilmemiş olması durumunda; fiziksel, algısal ya da zihinsel yetenekleri kısıtlı kişiler (çocuklar dahil olmak üzere) ile deneyimi ve bilgisi olmayan kişilerin kullanımı için uygun değildir.
- Bu cihaz, yanlarında güvenliklerinden sorumlu bir kişi olduğu sürece ve kendilerine cihazın güvenli bir şekilde kullanımı ve ilgili tehlikeler konusunda gerekli talimatlar verilirse, 8 yaşında daha büyük çocuklar tarafından kullanılabilir. 8 yaşında veya daha büyük olmadıkları ve gözetim altında olmadıkları takdirde, cihazın temizlenmesi ve kullanıcı bakımı çocuklar tarafından yapılmamalıdır. Cihazı ve kablosunu 8 yaşından küçük çocukların erişemeyeceği yerlerde saklayın.
- Bu cihaz, gözetim altında oldukları, cihazın güvenli bir şekilde kullanımına dair talimat verildikleri ve muhtemel tehlikeleri anladıkları takdirde 8 yaş ve üzeri çocuklar tarafından, sınırlı fiziksel, duyuşsal ve zihinsel becerilere sahip veya deneyim ve bilgi eksikliği olan kişiler tarafından kullanılabilir. Çocuklar cihazla oynamamalıdır. Temizlik ve kullanıcı bakımı, gözetim altında olmadıkları sürece çocuklar tarafından yapılamaz.
- Lütfen üniteyi ıslanmayacak şekilde iç mekanda saklayın;
- Lütfen üniteyi suya veya diğer sıvılara daldırmayın;
- Lütfen üniteyi ıslak ellerle kullanmayın;
- Düşerse, kırılırsa veya suya düşerse üniteyi kullanmayın. Üniteyi onarım için yetkili bir servis merkezine gönderin;
- Güç kablosu veya fiş hasarlıysa cihazı kullanmayın;
- Lütfen kabloyu dikkatlice dışarı çekin;
- Lütfen güç kablosuna zarar vermeyin: Üniteyi güç kablosuyla kaldırmayın, güç kablosunu sıkıştırmayın veya güç kablosunu keskin bir kenara veya köşeye çekmeyin. Cihazı güç kablosunun üzerinde kullanmayın. Kabloları sıcak yüzeylerden uzak tutun;
- Lütfen uzatma kablosu kullanmayın. Fiş doğrudan prize takılmalıdır;
- Hava akışını engellemek için lütfen cihazın hava girişini kapatmayın;
- Giriş tıkalıysa üniteyi çalıştırmayın;
- Tehlikeyi önlemek için lütfen saçları, bol giysileri, parmakları veya diğer vücut parçalarını girişten uzak tutun;
- Lütfen sigara, kibrit veya sıcak kül gibi yanan veya tüten nesnelere temizlemeyin;
- Lütfen çakmak gazı, benzin veya parafin gibi yanıcı maddeleri ya da patlayıcı sıvıları veya buharları temizlemeyin;
- Lütfen boya, tiner, bazı güve içeren maddeleri veya yanıcı tozlardan çıkan dumanları veya diğer patlayıcı veya zehirli dumanları temizlemeyin;
- Lütfen klorlu ağartıcı, amonyak, boru temizleyicileri veya benzin gibi zehirli maddeleri temizlemeyin;
- Cihazı bu talimatlarda belirtilmeyen başka bir amaç için çalıştırmayın;
- Lütfen yalnızca üretici tarafından önerilen aksesuarları kullanın. Üretici tarafından tedarik edilmeyen veya satılmayan parçaların kullanılması yangına, elektrik çarpmasına veya yaralanmaya neden olabilir.
- Lütfen resmi onaylı güç kablosunu kullanın;
- Lütfen girişte toz, tiftik, saç ve diğer malzemelerin birikmesinden kaçının.
- Lütfen merdivenleri dikkatlice temizleyin;
- Şarj aleti hasar görmüşse üreticinin resmi bakım departmanı tarafından değiştirilmelidir.
- Lütfen su deposunu ve fırça rulosunu doğru şekilde taktığınızdan emin olun.
- Lütfen cihazı yüksek sıcaklık veya düşük nem gibi uygun olmayan koşullar altında çalıştırmayın veya saklamayın. Doğrudan güneş ışığından kaçınmak için lütfen cihazı havalandırılan bir yerde saklayın;

1 Önemli güvenlik ve çevre talimatları

- Lütfen cihaz açıldığında veya soğuduğunda çocukları cihazdan uzak tutun;
- Lütfen deri, parafinli mobilya veya zeminler, sentetik elyaf, kadife veya diğer hassas ve buhara duyarlı malzemeleri temizlemeyin;
- Ürünü kullanırken parmaklarınızı, saçlarınızı ve gevşek giysilerinizi hareketli parçalardan ve açıklıklardan uzak tutun.
- Çocuklar, cihazla oynamadıklarından emin olmak için gözetim altında tutulmalıdır.
- Elektrik kablosu hasar görürse, tehlikeyi önlemek için üretici veya temsilcisi ya da benzer niteliklere sahip bir kişi tarafından değiştirilmelidir.
-  Su emme temizliği için motorlu temizleme başlığı.
- **UYARI:** Pili şarj etmek için sadece bu cihazla birlikte verilen ayrılabilir PW503-6 besleme ünitesini kullanın.
- Cihaz imha edilmeden önce pil cihazdan çıkarılmalıdır;
- Pilin sökülmesi sırasında cihazın fişinin prizden çekilmesi gerekir.
- Lütfen kullanılmış pilleri yerel yasalara ve düzenlemelere göre bertaraf edin.
- Ürünü yalnızca T-DC71-SJ pil ile kullanın.
- Lütfen pilleri Kullanım Kılavuzuna göre takıp çıkarın.
- Farklı türde piller veya yeni ve eski piller birlikte kullanılmamalıdır
- Piller kutupları doğru olacak şekilde yerleştirilmelidir
- Biten piller cihazdan çıkartılmalı ve güvenle imha edilmelidir
- Cihaz uzun süre kullanılmadan saklanacaksa piller çıkartılmalıdır.
- Besleme terminallerine kısa devre yaptırılmamalıdır
- Hasar veya uygunsuz kullanımlar pilin sızıntı yapmasına neden olabilir. Bu tür durumlarda pili kullanmayın ve pile çıplak elle dokunmayın; pili güvenli bir şekilde bertaraf edin.
- Pilleri doğrudan güneş ışığına ve ısı kaynaklarına maruz bırakmayın.
- Cihazı temizlemeden veya bakım uygulamadan önce adaptör prizden çıkartılmalıdır.

1 Önemli güvenlik ve çevre talimatları

1.2 AEEE Yönetmeliğine Uyum ve Atık Ürünün Elden Çıkarılması



AEEE Yönetmeliğine Uyum ve Atık Ürünün Elden Çıkarılması

T.C. Çevre, Şehircilik ve İklim Değişikliği Bakanlığı tarafından yayımlanan Atık Elektrikli ve Elektronik Eşyaların Yönetimi Hakkında Yönetmelik'e uygundur. Bu ürün, geri dönüşümlü ve tekrar kullanılabilir nitelikteki yüksek kaliteli parça ve malzemelerden üretilmiştir. Bu nedenle, ürünü, hizmet ömrünün sonunda evsel veya diğer atıklarla birlikte atmayın. Elektrikli ve elektronik cihazların geri dönüşümü için bir toplama noktasına götürün. Bu toplama noktalarını bölgenizdeki yerel yönetime sorun. Kullanılmış ürünleri geri kazanıma vererek çevrenin ve doğal kaynakların korunmasına yardımcı olun.

1.3 Ambalaj bilgisi



Ürünün ambalajı, Ulusal Mevzuatımız gereği geri dönüştürülebilir malzemelerden üretilmiştir. Ambalaj atığını evsel veya diğer atıklarla birlikte atmayın, yerel otoritenin belirttiği ambalaj toplama noktalarına atın.

1.4 Piller



Bitmiş pilleri, yerel kanun ve yönetmeliklere uygun şekilde atılmasını sağlayın. Pil ve ambalajın üzerindeki sembol, ürünle birlikte teslim edilen pilin evsel atık olarak değerlendirilmemesi gerektiğini belirtmektedir. Bazı pillerde sembol, kimyasal bir sembolle birleştirilerek kullanılmış olabilir. Piller % 0,0005'den fazla cıva veya % 0,004'den fazla kurşun içeriyorsa, cıva için Hg, kurşun için Pb kimyasal sembolü eklenir. Pillerin doğru şekilde atılmasını sağlayarak, pillerin uygun olmayan şekilde atılması neticesinde çevre ve insan sağlığında meydana gelebilecek potansiyel zararların engellenmesine katkıda bulunmuş olacaksınız.

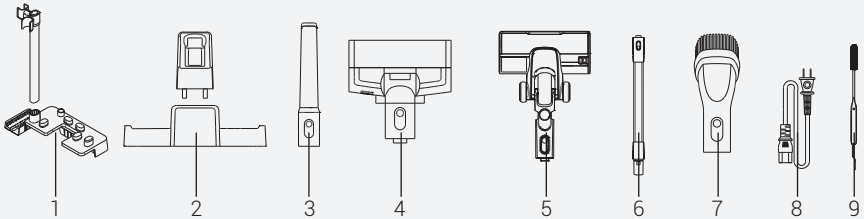
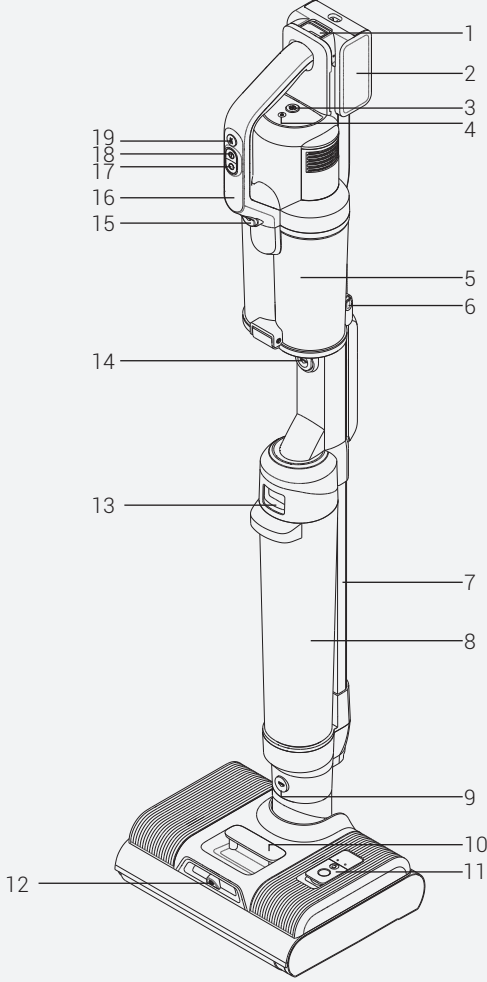
1.5 Kimyasal Mevzuat Bilgisi

Bu ürün 32055 sayılı ve 26 Aralık 2022 tarihli Elektrikli ve Elektronik Eşyalarda Bazı Zararlı Maddelerin Kullanımının Kısıtlanmasına İlişkin Yönetmelik'e uygundur.

1.6 Enerji tasarrufu için yapılması gerekenler

- Cihazı kullanırken gereksiz enerji tüketimini önlemek için, hız seviyelerini süpürdüğünüz zemine göre ayarlayın.
- Normal şartlarda sert zeminlerin, perdelerin ve kanepelerin temizliğinde düşük hızlarda, halıların temizliğinde ise yüksek hızlarda kullanılır.

2 Genel Bakış



2 Genel Bakış

2.1 Kontroller ve bileşenler

1. Pil grubu ayırma düğmesi
2. Pil grubu
3. Kendi kendini temizleme düğmesi
4. Sessize alma düğmesi
5. Toz haznesi grubu
6. Toz haznesinin alt kapağını ayırma düğmesi
7. Metal boru
8. Kirlı su deposu
9. Zemin fırçası ayırma düğmesi
10. Temiz su deposu tutamağı
11. Temiz su deposunun su enjeksiyon ağızı
12. Su püskürtme ağızı
13. Kirlı su deposu ayırma düğmesi
14. El süpürgesi ayırma düğmesi
15. El süpürgesi toz haznesi ayırma düğmesi
16. Gösterge ekranı
17. Dişli düğmesi
18. Açma/kapama düğmesi
19. Su püskürtme düğmesi

2.2 Aksesuarlar

1. Aksesuar askı grubu
2. Şarj aleti tutucu
3. Düz emiş aksesuarı
4. Evcil hayvan fırçası
5. Halı fırçası
6. Metal boru
7. Kanepem emiş aksesuarı
8. Güç kablosu
9. Çok fonksiyonlu temizlik fırçası

2.3 Teknik veriler

Nominal giriş gücü	400 W
Giriş	220-240V 50-60Hz
Su geçirmez	EB123 için IPX4
Çıkış	25,8Vdc 1,0A
Şarj süresi	4-5,5 Saat
Maksimum güçte çalışma süresi	40 dakika
Minimum güçte çalışma süresi	60 dakika

El süpürgesi turbo süresi	32 dakika
Maksimum güçte çalışma süresi	1) El süpürgesi maks. modu: 38 dakika 2) Kuru Fırça Tarafı maks. modu: 26 dakika 3) Islak & Kuru Mod: 16 dakika
Minimum güçte çalışma süresi	1) El süpürgesi min. modu: 60 dakika 2) Kuru fırça tarafı min. modu: 50 dakika 3) Islak&Kuru Mod: 25 dakika

2.4 Ürünün Teknik Özellikleri

Bu cihazda üç fonksiyon bulunur: Süpürme; Silme; Kendi Kendine Temizleme.

Temiz Su Deposu Kapasitesi: 650 ml

Kirlı Su Deposu Kapasitesi: 400 ml

- **UYARI!** Yalnızca 25°C altı su kullanın. Kaynayan su kullanmayın. Çok köpüren deterjanlar kullanmayın.

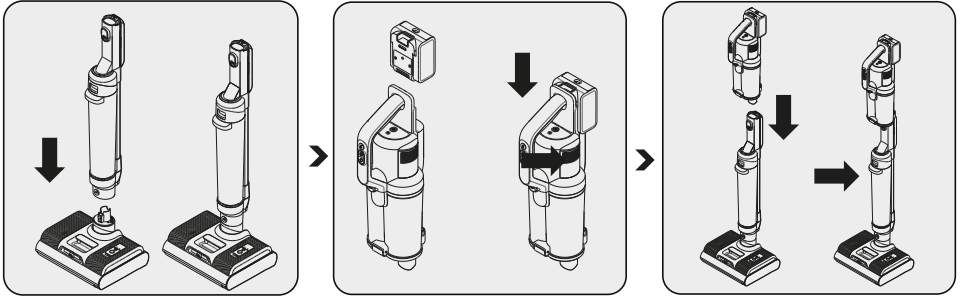
2.4.1 Zemin Yüzeyi Temizliği

Bu üründe temiz su deposu, kirlı su deposu, zemin temizliği rulo fırçası, motorlar ve başka fonksiyonel modüller bulunur. Zemin temizliği rulo fırçasına su pompalanır ve zemin temizliği motoru, fırçayı yüksek hızda döndürerek yüzeylerin temizlenmesini sağlar. Zemin temizlendikten sonra kirlı su, emiş motoru tarafından emilip kirlı su deposuna alınır. Zemin temizleme işlemi sırasında, rulo temizlik fırçasındaki su püskürtme seviyesi ayarlanabilir veya iptal edilebilir.

Cihazda veya cihazla birlikte verilen belgelerde yer alan değerler, ilgili standartlar uyarınca elde edilmiş laboratuvar değerleridir. Bu değerler kullanıma ve ortam koşullarına bağlı olarak değişiklik gösterebilir.

3 Kurulum

3.1 Tutamağın takılması

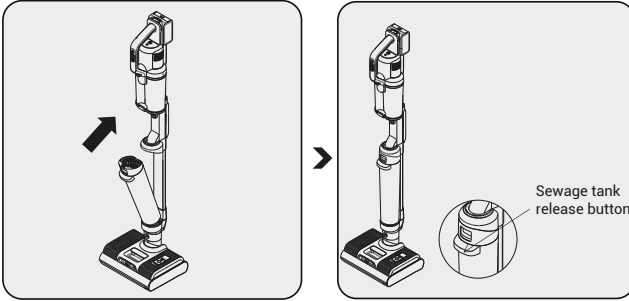


Tutamağı gövdeye dik olarak yerleştirin.

"Tık" sesi duyduğunuzda montaj işlemi tamamlanmış demektir.

"Tık" sesini duyduktan sonra el süpürgesinin sıkı bir şekilde takıldığından ve gevşek olmadığından, yani montajın başarılı olduğundan emin olmanız gerekir.

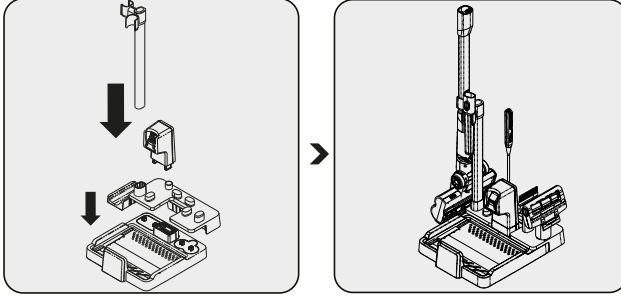
3.2 Kirli su deposunun takılması



Öncelikle, kirli su deposunun alt kısmını ana gövde tablasının oluğuna yerleştirin. Ardından, kirli su deposunu ana gövdeye bastırın ve "tık" sesini duyana kadar içeri doğru itin.

3 Kurulum

3.3 Şarj aleti tutucu grubunun takılması

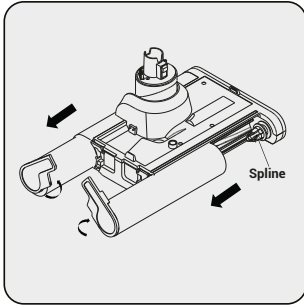


Çıkarma:

Öncelikle standı yerleştirin. Ardından, cihaz bölmesini, standın tırnaklarıyla birlikte dengeli bir şekilde üst kısma sabitleyin. Şarj cihazını üst kısma takın.

Şarj başlığı grubunu ve aksesuar askı grubunu, şekillerde gösterilen konum boyunca şarj aleti tutucuya doğru bastırın. "Tık" sesini duyduğunuzda kanca ilgili delik konumuna takılmış ve montaj tamamlanmış demektir.

3.4 Rulo fırça kapağının sökülmesi ve takılması



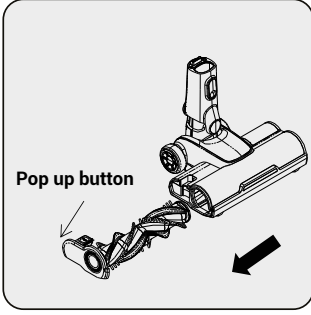
- Rulo fırça grubun sökmek için su deposu grubunu çıkarmanız gerekir.
- Ardından, bir elinizle zemin fırçasına bastırıp diğer elinizle rulo fırçanın uç kapağını yukarı doğru döndürerek rulo fırçayı dışarı doğru çekip çıkarabilirsiniz. Rulo fırça grubunu takarken öncelikle rulo fırçanın diğer ucunu yuva ile hizalayın, ardından rulo fırçayı içeri doğru itin, rulo fırçanın uç kapağını aşağı doğru döndürün ve yerine takın.
- Temiz su deposunu takın.



Ürün silme modundayken halıda kullanmayın. Halıda kullanmanız gerekiyorsa kuru elektrikli süpürge nozülü ile kullanın.

3 Kurulum

3.5 Zemin rulo fırçasının sökülmesi ve takılması



Halı fırçası grubunun rulo fırçasını sökmek için rulo fırçadaki düğmeye basmanız gerekir. Rulo fırçayı takarken rulo fırçanın diğer ucunu halı fırçası grubundaki delik ile hizalayın, içeri doğru döndürün ve yerine takın.

4 Kullanım

4.1 Kullanım Talimatları



Temizlikten sonra zeminde su kalmışsa kuru modda kullanarak suyu temizlemeniz önerilir.

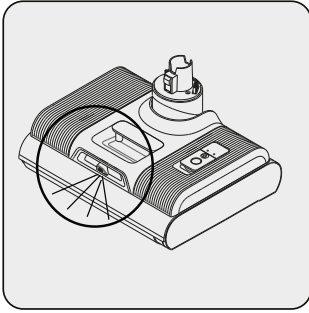


UYARI! Yalnızca önerilen az köpüren deterjanla kullanın. Temiz su deposuna, önerilen zemin temizleme ürününden birkaç damla (10 ml) ekleyin. Beklenmedik köpürme meydana gelirse deterjan miktarını azaltmanız gerekir. Köpük, cihazınızın performansını düşürebilir.



UYARI! Kullanımdan önce lütfen makinede güç olup olmadığına bakın. Güç yoksa ürünü zamanında şarj edin ve tamamen şarj olduktan sonra kullanın.

4.2 Su Püskürtme Fonksiyonu



- 1 Makine çalışırken su püskürtme düğmesine basılı tutun; su nozülü, fan şeklinde su püskürtür. Su püskürtme işlemini durdurmak için püskürtme düğmesini bırakın.
- 2 Dahili püskürtme fonksiyonu yalnızca Auto (Otomatik) modda (Dahili püskürtmeyi açın) ve Maks. modunda (Dahili püskürtmeyi açın) etkindir. Makine açıkken ve su püskürtme düğmesine basılmıyorken dahili püskürtme fonksiyonu başlar ve su, içeriden rulo fırçaya püskürtülür. Su düğmesine basıldığında dahili püskürtme fonksiyonu durur ve püskürtme nozülü fan şeklinde su püskürtür. Su püskürtme düğmesine basıldığında su nozülü su vermeyi bırakır ve dahili püskürtme fonksiyonu çalışmaya devam eder.



1. Su püskürtme düğmesi, güç düğmesiyle veya hız kontrol düğmesiyle aynı anda kullanılamaz.

2. Ortam çok kirliyse veya çok fazla su lekesi varsa Maks. modunu kullanmanız önerilir.



Makine yatay durumda çalışırken güç otomatik olarak azalır; bu normal bir durumdur. Bu sırada makine, toz haznesine su girmesini önlemek için çok fazla sallanamaz.



UYARI! Güç kablosunu güç beslemesine takın, makineyi şarj aleti tutucuya yerleştirin ve şarj moduna alın.

4 Kullanım

4.3 Rulo fırça kurutma fonksiyonu

Şarj modunda, tutamakta yer alan hız düşmesine bastığınızda ürün 2 saatliğine rulo fırça kurutma moduna girer. Kurutma işlemi sırasında zemin fırçası motoru, 3 dakikalık aralıklarla 2 saniye boyunca çalışır. İşlem boyunca fan ve PTC ısıtma elemanı çalışır. Sonrasında ürün şarj moduna döner. Rulo fırça kurutma modunu daha öncesinde sonlandırmak isterseniz hız düşmesine tekrar basmanız gerekir. Kurutma işlemi bittikten veya kesildikten sonra fanı fırçalayın ve 3 dakika gecikme için kapatın.

4.4 Zemin rulo fırçası ve boru kendi kendine temizleme fonksiyonu



Şarj modunda, kendi kendine temizleme düğmesine bastığınızda ürün temizlik moduna girer. Ürün, kendi kendine temizleme işleminden sonra rulo fırça kurutma moduna girer. Kendi kendine temizleme işlemi sırasında Açma/Kapama düğmesine veya hız düşmesine bastığınızda, kendi kendine temizleme modu erken sonlanır ve ürün şarj moduna geri döner.

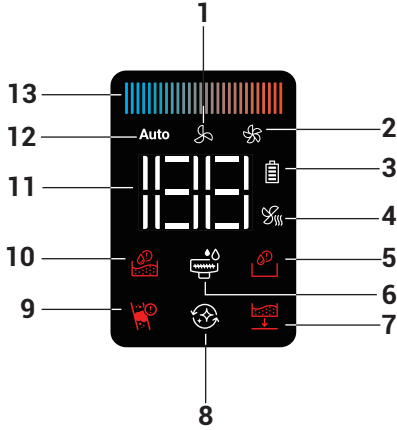
Kendi kendine temizleme modunda, boru ve zemin rulo fırçası temizlenir.

Temizlik modunu etkinleştirmeden önce lütfen kirli su deposundaki suyu dökün ve makinenin şarj aleti tutucuda sabit şekilde durduğunu, güç kablosunun prize takılı olduğunu, güç kablosunun şarj aleti tutucuya bağlı olduğunu ve temiz su deposunda en az 1/2 su olduğunu doğrulayın. Kendi kendine temizleme işleminden sonra lütfen kirli su deposunu tekrar temizleyin.

Güç ≤ 10 ise temizlik modu ve kurutma modu etkinleştirilemez; bu modlar yalnızca ürün bir süre şarj edildikten sonra kullanılabilir.

4 Kullanım

4.5 Bilgi ekranı



1. Max mod
2. Turbo mod
3. Pil simgesi göstergesi
4. Kuru mod göstergesi
5. Temiz su deposu boş göstergesi
6. Rulo fırçada püskürtme göstergesi
7. Kirli su tankı göstergesi (tank yerine takılmadığında)
8. Kendi kendine temizleme göstergesi
9. Tıkanıklık uyarısı
10. Kirli su deposu dolu göstergesi
11. Güç seviyesi dijital göstergesi
12. Otomatik mod
13. Ekran şeridi

Açma/Kapama düğmesine bastığınızda gösterge ekranı yanar. Varsayılan olarak Auto (Otomatik) moda girer (Dahili su püskürtmeyi açın). Ürünü açtıktan sonra dahili su püskürtme fonksiyonu otomatik olarak açılır, Auto (Otomatik) mod ve dahili su püskürtme simgesi yanar. Harici su püskürtme fonksiyonunu manuel olarak kontrol edebilirsiniz; tutamakta yer alan hız kontrol düğmesini Maks. moduna getirin (dahili su püskürtme fonksiyonu açılır). Bu işlemden sonra dahili su püskürtme fonksiyonu otomatik olarak açılır. Maks. modu ve dahili su püskürtme simgesi yanar. Harici su püskürtme fonksiyonunu manuel olarak kontrol edebilirsiniz. Tutamakta yer alan hız kontrol düğmesini Maks moduna getirin (dahili su püskürtme fonksiyonu kapanır). Bu işlemden sonra dahili su püskürtme fonksiyonu varsayılan olarak açılmaz. Maks. modu ışığı yanıyorken dahili su püskürtme simgesi kapalıdır, harici su püskürtme fonksiyonu ise manuel olarak kontrol edilebilir. Döngüsel şekilde açma/kapama yapılabilir; tutamak düğmesine tekrar basarak makineyi ve gösterge ekranını kapatabilirsiniz.

Ekran şeridi kirlilik durumu hakkında bilgi verir. Otomatik modda kullanırken, yerdeki kir miktarı azaldıkça kırmızıdan maviye doğru değişir.

4.6 Makinenin halı fırçası grubu ile kullanılması

Metal boruyu ve halı fırçası grubunu el süpürmesine taktıktan sonra Açma/Kapama düğmesine basın; gösterge ekranı açılır ve varsayılan olarak Auto (Otomatik) moda girer. Maks. moduna geçmek için tutamakta yer alan hız kontrol düğmesine basabilir ve bu düğmeye tekrar basarak Auto (Otomatik) moda geçebilirsiniz. Bu işlemi döngüsel olarak yapabilirsiniz.

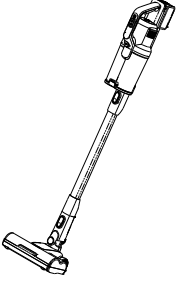
4 Kullanım

Makineyi ve gösterge ekranını kapatmak için tutamakta yer alan Açma/Kapama düğmesine basın.



Makine yatay durumda çalışırken güç otomatik olarak azalır; bu normal bir durumdur. Bu sırada makine, toz haznesine su girmesini önlemek için çok fazla sallanamaz.

1. Halı fırçası grubunun kullanımı, çift rulo fırça grubunun kullanımına benzer olmakla birlikte halı fırçası grubu, temiz su deposunu temizlemez, dolayısıyla ve su püskürtme ve emme işlemlerini yapamaz.
2. Pil seviyesi %20'nin altına düştüğünde ürün Maks veya Turbo moduna geçemez.



4.7 El süpürgesinin ve aksesuarların kullanımı

4.7.1 El süpürgesini çıkarın ve el süpürgesi açma/kapama düğmesine basın; gösterge ekranının ışığı yanar. Varsayılan olarak Auto (Otomatik) moda girer. Maks. moda geçmek için el süpürgesi hız kontrol düğmesine basın ve ardından bu düğmeye tekrar basarak Turbo moda geçin; bu işlemi döngüsel olarak yapabilirsiniz. El süpürgesi Açma/Kapama düğmesine tekrar bastığınızda el süpürgesi ve gösterge ekranı kapanır.

4.7.2 Yatak emiş aksesuarı, düz emiş aksesuarı, kanepeler emiş aksesuarı, metal boru, halı fırçası ve diğer aksesuarlar, farklı ortamlara uyum sağlamak adına el süpürgesinin emiş portuna takılabilir.

4.7.3 Düz emiş aksesuarı ve kanepeler emiş aksesuarı ile eşleştirme yaparken, düz emiş aksesuarını el süpürgesinin portuna hizalayın ve montajın tamamlandığını belirten kilitlenme sesini duyana kadar yukarı doğru itin. Düz emiş aksesuarının üzerinde yer alan yaylı düğmeye basın, düz emiş aksesuarını aşağı doğru çekin ve el süpürgesinden çıkarın.

4.7.4 Yatak fırçası ile eşleştirme yapıldığında kanepeler, yatak ve diğer yerlerde yer alan tozları süpürebilirsiniz. Yatak fırçasını portunu el süpürgesinin portu ile hizalayın ve montajın tamamlandığını belirten kilitlenme sesini duyana kadar yukarı doğru itin. Yatak fırçasında yer alan düğmeye basın ve fırçayı aşağı doğru çekerek çıkarın.

4.7.5 Metal boru ve halı fırçası ile eşleştirme yaparken aksesuarın portunu el süpürgesinin portu ile hizalayın ve montajın tamamlandığını belirten kilitlenme sesini duyana kadar yukarı doğru itin. Aksesuarda yer alan yaylı düğmeye basın, aksesuarı aşağı doğru çekerek el süpürgesinden çıkarın.



Pil seviyesi %20'nin altına düştüğünde ürün Maks veya Turbo moduna geçemez:

2. Ürünü el süpürgesi olarak kullanırken lütfen ürün ile su çekmeyin.
3. Aksesuarlar isteğe bağlı şekilde seçilebilmekte olup bayilerde satılmaktadır.

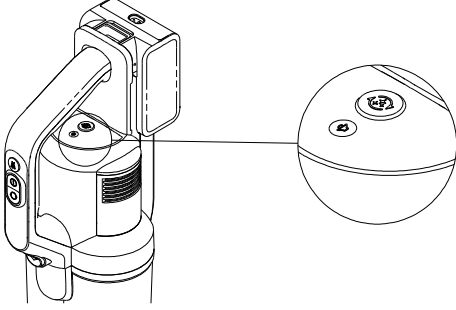
4 Kullanım

4.8 Akıllı ses fonksiyonu

Ses tuşuna basarak ürünün sesli uyarı dilini değiştirebilirsiniz.

Sesli uyarı özelliğini tamamen kapatmak veya açmak için tuşa 3 saniye basılı tutun.

Sesli uyarı dilini değiştirmek için ses düğmesine kısa basın (bu üründe İngilizce, Türkçe ve Lehçe vardır).



Ürün el süpürgesi olarak kullanılırken ses fonksiyonu yoktur.

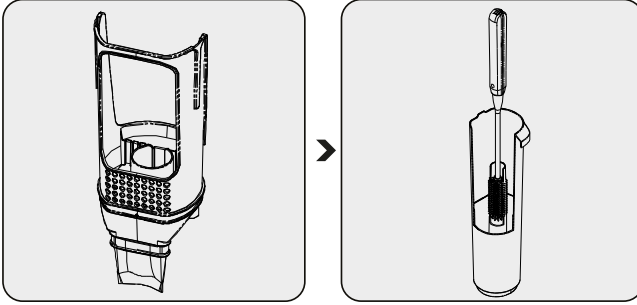
5 Temizlik ve bakım

5.1 Temiz su deposunda su eksik hatırlatması

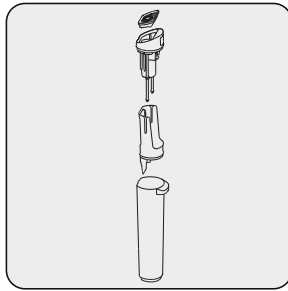
Makine normal çalışırken su püskürtme fonksiyonunu kullanın. Gösterge ekranında su uyarı simgesi görüldüğünde ve sesli uyarı size, temiz su deposunda su kalmadığını söylediğinde makineyi kapatabilir, temiz su deposuna su ekledikten sonra makineyi kullanmaya devam edebilirsiniz.

Kendi kendine temizleme modu etkinken temiz su deposunda hiç su algılanmazsa kendi kendine temizleme modu durur. Normal şekilde çalışmanız gerekiyorsa lütfen temiz su deposuna su ekleyin. Bu işlemi yaptıktan sonra kendi kendine temizleme modunu yeniden başlatabilirsiniz. (Su deposunda su eksikliği algılandığında, başlatma işleminden itibaren 5 dakika içerisinde kendi kendine temizleme düğmesine basın. Bu durumda makine, kendi kendine temizleme işlemi yapmadan önce bitiremediği adımlara otomatik olarak döner ve sonrasında kendi kendini temizlemeye devam eder. Kendi kendine temizleme düğmesine 5 dakika sonra basarsanız kendi kendine temizleme işlemi tekrar başlar).

5.2 Su deposunun temizlenmesi



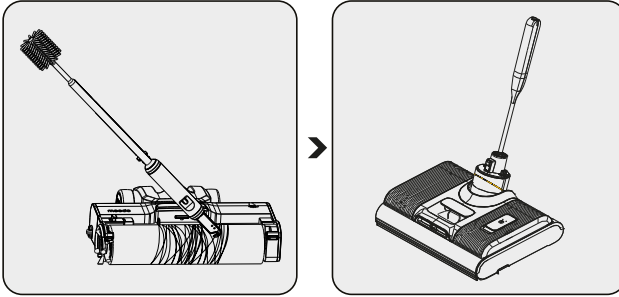
UYARI: Kirli su deposu dolduğunda lütfen bu suyu boşaltın ve aynı anda ağ sepeti temizleyin.



Elektrikli süpürgeyi kapattıktan sonra öncelikle kirli su deposunu çıkarın, yukarı kaldırın ve üst kapağını çıkarın. Ardından sünger kutuyu dışarı çıkarın, sünger kutunun kapağını açın, filtre süngerini ve çöp sepetini çıkarın. Kirli su deposundaki kirli suyu ve kiri boşaltın ve kirli su deposunu, çöp sepetini, kirli su deposu kapağını, sünger kutusunu ve filtre süngerini temiz su ile yıkayın. Kirli su deposu borusunda yabancı maddeler varsa boru fırçası yardımıyla boruyu temizleyin. Sonrasında üst paçaları kurulaştırın, kirli su deposu parçalarını ilk halinde olduğu gibi tekrar takın, kirli su deposunu makineye yerleştirin ve ürünü kullanmaya devam edin.

5 Temizlik ve bakım

5.3 Çift rulo fırça grubunun kullanılması

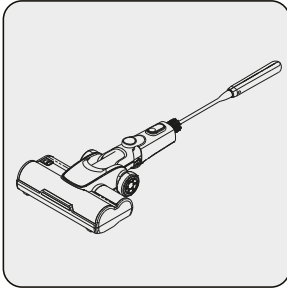


Temiz su deposunun bileşenlerini, rulo fırçayı ve kirli su deposunu çıkardıktan sonra, çok fonksiyonlu temizlik fırçasını, ana gövdenin montaj pozisyonunun altındaki yuvarlak delikten esneyin, borudaki yabancı maddeleri ve kireci temizleyin ve boruyu tıkayan kılları/saçları alın. Çok fonksiyonlu temizlik fırçasını kullanarak rulo fırçaya dolanmış saçları alın, makineyi ve kirli parçaları bir bez ile silin ve makineye tekrar takın. Çok fonksiyonlu temizlik fırçasına yapışmış kirleri durulayarak temizleyin ve fırçayı, rulo fırça kutusuna takın.



UYARI: Makine temizlik modunda çalışırken rulo fırça tıkanırsa makine kapanır ve sesli uyarı verir. Bu noktada lütfen rulo fırçayı çıkarın ve rulo fırçaya takılmış yabancı maddeleri veya saçları temizleyin. Fırçayı tekrar taktıktan sonra makineyi kullanmaya devam edebilirsiniz.

5.4 Halı fırçası grubunun kullanılması



Halı fırçasını çıkardıktan sonra, çok fonksiyonlu temizlik fırçasını, ana gövdenin montaj pozisyonunun altındaki yuvarlak delikten esneyin, borudaki yabancı maddeleri ve kireci temizleyin ve boruyu tıkayan kılları/saçları alın. Çok fonksiyonlu temizlik fırçasını kullanarak rulo fırçaya dolanmış saçları alın, makineyi ve kirli parçaları bir bez ile silin ve makineye tekrar takın. Çok fonksiyonlu temizlik fırçasına yapışmış kirleri durulayarak temizleyin ve fırçayı, rulo fırça kutusuna takın.



Daha iyi bir kullanım deneyimi için filtreyi 2-3 ayda bir (günlük kullanım sıklığına göre değişiklik gösterir) değiştirmeniz önerilir.

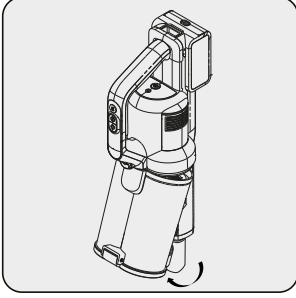


Filtreleri, yıkama başlığını ve kapağı her kullanımdan sonra iyice temizleyip kurulaştırın. Parçaları doğru şekilde taktığınızdan emin olun.

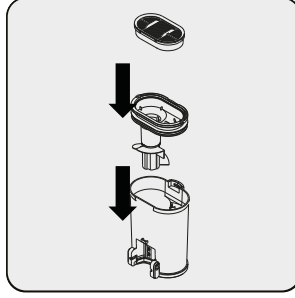
Kolay değişim yapabilmeniz için ürününüzle birlikte bir adet yedek kuru filtre verilir.

5 Temizlik ve bakım

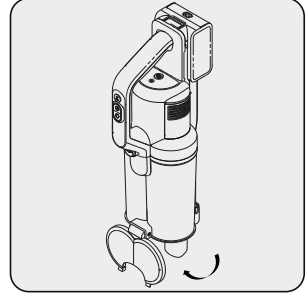
5.5 Toz haznesi grubunun temizlenmesi



Toz haznesi çıkarma düğmesine basarak toz haznesini el süpürGESİNDEN çıkarın, metal tutamağı tutarak siklon grubunu yukarı doğru çekerek çıkarın, HEPA filtresi çıkarın ve çöPü dökün.

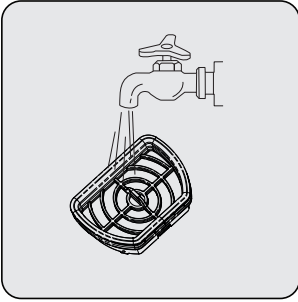


Alternatif olarak, toz haznesini el süpürGESİNDEN çıkarmayabilirsiniz. Doğrudan toz haznesinin her iki yanında yer alan toz haznesi alt kapak çıkarma düğmesine basın. Böylece, toz haznesinin alt kapağı sekerek çöPü dışarı döker.



Parçaları temizledikten, sildikten ve kuruttuktan sonra toz haznesi grubunu sırasıyla tekrar monte edin ve el süpürGESİNE TAKIN.

5.6 Filtrenin Temizlenmesi



Hava sızmasını önlemek için HEPA filtresi tıkayıp kurulaYIN.

5.7 Günlük bakım ve depolama

Aşağıdaki durumlarla karşılaşıyorsanız duruma göre kirlı su deposunu, toz haznesini, rulo fırçayı ve diğer parçaları her kullanımdan sonra bir sonraki kullanım için temizlemeniz önerilir:

1. Filtre süngeri ciddi hasar görmüşse;
 2. Rulo fırçanın tüyleri dökülüyorsa ve kullanım sırasında güçlü bir titreşim ve gürültü oluyorsa
- Makinenin performansının olumsuz yönde etkilenmemesi için sarf malzemelerini belirlenmiş yerlerden almanız ve değiştirmeniz önerilir.

Makineyi uzun süre kullanmayacaksanız lütfen kuru ve serin bir yerde saklayın; doğrudan güneş ışığından ve nemli ortamlardan uzak tutun.

Makineyi bir kutu içerisinde saklamanız gerekiyorsa hasar görmesini önlemek adına lütfen makineyi temizleyin ve tüm parçaları kurulaYIN.

5 Sorun giderme

SORUN	OLASI NEDENİ	ÇÖZÜM
Kullanım sırasında çalışmıyor veya durmuyor	Ürüne güç gitmiyor veya güç yetersiz olabilir	Makineyi zamanında şarj edin
	Açma/Kapama düğmesine basılmamış olabilir	Açma/Kapama düğmesine ayrıca tekrar basın
	Fırçaya çok fazla şey takılmış olabilir	Rulo fırçayı zamanında temizleyin
	Hava kanalı tıkanmış olabilir	Hava kanalını ve filtreyi temizleyin
	Pil takımı takılı olmayabilir	Pil takımını yerine takın
Emiş gücü düşük	Hava kanalı tıkanmış olabilir	Hava kanalını ve filtreyi temizleyin
	HEPA filtre takılı olmayabilir	HEPA filtreyi takın
Makineden anormal ses geliyor	Hava kanalı tıkanmış olabilir	Hava kanalını ve filtreyi temizleyin
	HEPA filtre takılı olmayabilir	HEPA filtreyi takın
Nozülden su gelmiyor	Temiz su deposunda su olmayabilir	Temiz su deposuna su ilave edin
	Su püskürtme düğmesine basılmamış olabilir	Su püskürtme düğmesine basın
	Temiz su deposu takılı olmayabilir	Temiz su deposunu yerine takın
Hava çıkışından su püskürüyor	Kirli su deposunda metal filtre takılı değildir	Kirli su deposuna metal filtre takın
	Kirli su deposuna metal filtre takın	Kirli su deposuna metal filtre takın
	Kirli su deposuna metal filtre takın	Kirli su deposuna metal filtre takın



DİKKAT: Ürün yukarıdaki adımlara göre normal şekilde çalışmıyorsa yardım için lütfen satış sonrası servis departmanımızla iletişime geçin.



Ürünü uzun süre kullanmayacaksanız pilini tamamen dolu halde tutun.

Hizmet talebinin deęerlendirilmesi

1

Müşteri Başvurusu



Web sitesi



0850 210 0 888
Çaęrı merkezi



Yetkili Servis



musteri.hizmetleri
@beko.com.tr



Yetkili Satıcı



Faks
0216 423 2353

2

Başvuru kaydı

Başvuru Konusu
Müşteri Adı, Soyadı
Müşteri Telefonu
Müşteri Adresi

3

Hizmet talebinin alınması

- Hizmet talebi analizi
- Hizmet hakkında müşterinin bilgilendirilmesi (Keşif,nakliye,montaj,bilgi,onarım,deęişim vb.)
- Hizmet hakkında gerekli işlemin gerçekleştirilmesi

4

Müşteri memnuniyetinin alınması

Memnun

Memnun
deęil

5

Başvuru kaydının kapatılıp, bilgilerin saklanması

Müşteri Memnuniyeti Politikası

- Müşterilerimizin istek ve önerilerini her kanaldan karşılamaktan mutluluk duyarız.

Kanallarımız:

* **Çağrı Merkezimiz: 0850 210 0 888**

(Sabit telefonlardan veya cep telefonlarından alan kodu çevirmeden arayın*)

* **Diğer Numaramız: 0216 585 8 888**

- Çağrı Merkezimiz haftanın 7 günü 24 saat hizmet vermektedir.

- Çağrı Merkezimiz ile yaptığımız görüşmeler iletişim hizmeti aldığınız operatör firma tarafından sizin için tanımlanan tarifeye göre ücretlendirilir.

- Sabit veya cep telefonlarınızdan alan kodu tuşlamadan çağrı merkezi numaramızı arayarak ürününüz ile ilgili arzu ettiğiniz hizmeti talep edebilirsiniz.

* **Whatsapp Numaramız: 0544 444 0 888**

* **Faks Numaramız: 0216-423-2353**

* **Web Adresimiz:**

- www.beko.com.tr

* **e-posta Adresimiz:**

- musteri.hizmetleri@beko.com

* **Sosyal Medya Hesaplarımız:**

- <https://www.instagram.com/bekoturkiye/>

- https://twitter.com/beko_tr

- <https://www.facebook.com/bekoturkiye/>

- <https://www.youtube.com/user/BekoChannel>

* **Posta Adresimiz:**

- Arçelik A.Ş. Karaağaç Caddesi No:2-6,
34445, Sütlüce / İSTANBUL

* **Bayilerimiz,**

- <https://www.beko.com.tr/yetkili-saticilar>

* **Yetkili Servislerimiz,**

- <https://www.beko.com.tr/yetkili-servis>

- Tüm yetkili servis istasyonu bilgilerimiz, Ticaret Bakanlığı tarafından oluşturulan "Servis Bilgi Sistemi"nde (www.servis.gov.tr) yer almaktadır.

- Yedek parça malzemeleri yetkili servislerimizden temin edilebilir.

- Online servis randevusu almak için,

- <http://digital.arcelik.com.tr>

- Müşterilerimizden iletilen istek ve önerilerin Beko'ya ulaştığı bilgisini, müşteri profili ayrımı yapılmaksızın kendilerine 24 saat içinde veririz.
- Müşteri Hizmetleri sürecimiz:
Müşterilerimizin istek ve önerilerini;
* **İzlenebilir, raporlanabilir, şeffaf ve güvenli tek bir bilgi havuzunda toplarız.**
* **Yasal düzenlemelere uygun, objektif, adil ve gizlilik içinde ele alır ve değerlendiririz.**
* **Bu geri bildirimleri süreçlerimizin daha mükemmel hale getirilmesinde kullanırız.**
- Beko olarak, mükemmel müşteri deneyimini yaşatmayı ana ilke olarak kabul eder, müşteri odaklı bir yaklaşım benimseriz.
- Bütün süreçlerimizi yönetim sistemi ile entegre ederek birbirini kontrol eden bir yapı geliştirilmesini sağlarız.
Yönetim hedeflerini de bu sistem üzerinden besleriz.

Aşağıdaki önerilere uyanızı rica ederiz.

- Ürününüzü aldığınızda Garanti belgesini Yetkili Satıcınıza onaylattırınız.
- Ürününüzü kullanma kılavuzu esaslarına göre kullanınız.
- Ürününüz ile ilgili hizmet talebiniz olduğunda yukarıdaki telefon numaralarından Çağrı Merkezimize başvurunuz.
- Hizmet için gelen teknisyene "teknisyen kimlik kartı" nı sorunuz.
- İşiniz bittiğinde Yetkili servis teknisyeninden "Hizmet Fişi" istemeyi unutmayınız. alacağınız "Hizmet Fişi" , ilerde ürününüzde meydana gelebilecek herhangi bir sorunda size yarar sağlayacaktır.
- Ürünün kullanım ömrü: 10 yıldır. (Ürünün fonksiyonunu yerine getirebilmesi için gerekli yedek parça bulundurma süresi)

Bu kılavuzu okumadan ürününüzü çalıştırmayınız.

Ürününüz ile ilgili garanti şartları, kullanımı ve sorun giderme yöntemleri kılavuzda yer almaktadır.

Uygun Kullanım ve Garanti ile İlgili Dikkat Edilmesi Gereken Hususlar;

Aşağıda belirtilen sorunların giderilmesi ücret karşılığında yapılır. Bu durumlar için garanti şartları uygulanmaz;

1) Kullanım hatalarından kaynaklanan hasar ve arızalar,

2) Malın tüketiciye tesliminden sonraki yükleme, boşaltma, taşıma vb. sırasında oluşan hasar ve arızalar,

3) Malın kullanıldığı yerin elektrik (priz, gerilim, topraklama vb.), su (su basıncı, musluk vb.), doğalgaz, telefon, internet vb. şebekesi ve/veya altyapısı (gider, zemin, ortam vb.) kaynaklı meydana gelen hasar ve arızalar,

4) Doğa olayları ve yangın, su baskını vb. kaynaklı meydana gelen hasar ve arızalar,

5) Malın tanıtma ve kullanma kılavuzlarında yer alan hususlara aykırı kullanılmasından kaynaklanan hasar ve arızalar,

6) Malın, 6502 sayılı Tüketicinin Korunması Hakkındaki Kanununda tarif edilen şekli ile ticari veya mesleki amaçlarla kullanımı durumunda ortaya çıkan hasar ve arızalar,

7) Mala yetkisiz kişiler tarafından bakım, onarım veya başka bir nedenle müdahale edilmesi

Durumlarında mala verilmiş garanti sona erecektir.

Garanti uygulaması sırasında değiştirilen malın garanti süresi, satın alınan malın kalan garanti süresi ile sınırlıdır.

Ürününüz Arçelik A.Ş adına Kingclean Electric Co., Ltd., No.1, Xiangyang Road, New District, Suzhou City, Jiangsu Province, P.R.China, Tel: 86-512-68258657 tarafından üretilmiştir.

Menşei :P.R.C.

GARANTİ ŞARTLARI

- Garanti süresi, malın teslim tarihinden itibaren başlar ve 2 yıldır.
- Malın tanıtma ve kullanma kılavuzunda gösterildiği şekilde kullanılması ve Arçelik A.Ş.'nin yetkili kıldığı servis çalışanları dışındaki şahıslar tarafından bakım, onarım veya başka bir nedenle müdahale edilmemiş olması şartıyla, malın bütün parçaları dahil olmak üzere tamamını; malzeme, işçilik ve üretim hatalarına karşı malın teslim tarihinden itibaren yukarıda belirtilen süre kadar garanti eder.
- Malın ayıplı olduğunun anlaşılması durumunda tüketicisi, 6502 sayılı Tüketicinin Korunması Hakkında Kanununun 11 inci maddesinde yer alan;
a- Sözleşmeden dönme, c- Ücretsiz onarılmasını isteme,
b- Satış bedelinden indirim isteme, ç- Satılanın ayıpsız bir misli ile değiştirilmesini isteme,
haklarından birini kullanabilir.
- Tüketicinin bu haklardan ücretsiz onarım hakkını seçmesi durumunda satıcı; işçilik masrafı, değiştirilen parça bedeli ya da başka herhangi bir ad altında hiçbir ücret talep etmeksizin malın onarımını yapmak veya yaptırmakla yükümlüdür. Tüketicisi ücretsiz onarım hakkını üretici veya ithalatçıya karşı da kullanabilir. Satıcı, üretici ve ithalatçı tüketicinin bu hakkını kullanmasından müstesilen sorumludur.
- Tüketicinin, ücretsiz onarım hakkını kullanması halinde malın;
- Garanti süresi içinde tekrar arızalanması,
- Tamiri için gereken azami sürenin aşılması,
- Tamirinin mümkün olmadığını, yetkili servis istasyonu, satıcı, üretici yada ithalatçı tarafından bir raporla belirlenmesi durumlarında;
tüketici malın bedel iadesini, ayıp oranında bedel indirimini veya imkân varsa malın ayıpsız misli ile değiştirilmesini satıcıdan talep edebilir.
Satıcı, tüketicinin talebini reddedemez. Bu talebin yerine getirilmemesi durumunda satıcı, üretici ile ithalatçı müstesilen sorumludur.
- İlgili mevzuatlarda belirlenen kullanım ömrü süresince malın azami tamir süresi 20 iş gününü, geçemez. Bu süre, garanti süresi içerisinde mala ilişkin arızanın yetkili servis istasyonuna veya satıcıya bildiri tarihinde, garanti süresi dışında ise malın yetkili servis istasyonuna teslim tarihinden itibaren başlar. Garanti kapsamı içerisindeki malın arızasının 10 iş günü içerisinde giderilememesi halinde, üretici veya ithalatçı; malın tamiri tamamlanıncaya kadar, benzer özelliklere sahip başka bir malı tüketicinin kullanımına tahsis etmek zorundadır. Benzer özelliklere sahip başka bir malın tüketici tarafından istenmemesi halinde üretici veya ithalatçılar bu yükümlülüğünden kurtulur. Malın garanti süresi içerisinde arızalanması durumunda, tamirde geçen süre garanti süresine eklenir.
- Malın kullanma kılavuzunda yer alan hususlara aykırı kullanılmasından kaynaklanan hasar ve arızalar garanti kapsamı dışındadır.
- Tüketicisi, garantiden doğan haklarının kullanılması ile ilgili olarak çıkabilecek uyuşmazlıklarda yerleşim yerinin bulunduğu veya tüketici işleminin yapıldığı yerdeki Tüketicisi Hakem Heyetine veya Tüketicisi Mahkemesine başvurabilir.
- Satıcı tarafından bu Garanti Belgesinin verilmemesi durumunda, tüketici Ticaret Bakanlığı Tüketicinin Korunması ve Piyasa Gözetimi Genel Müdürlüğüne başvurabilir.

Üretici veya İthalatçı Firmanın;

Unvanı: Arçelik A.Ş.
Adresi: Arçelik A.Ş. Karaağaç Caddesi No:2-6,
34445, Söğütözü / İSTANBUL
Telefonu: (0-216) 585 8 888
Faks: (0-216) 423 23 53
web adresi: www.beko.com.tr

Malın

Markası: Beko
Cinsi: Şarjlı Dik Süpürge
Modeli: VRW 90421 VD
Bandrol ve Seri No:
Garanti Süresi: 2 YIL
Azami Tamir Süresi: 20 iş günü

GENEL MÜDÜR

Hakan Bıçkıcı

Arçelik A.Ş.

GENEL MÜDÜR YRD.

Adnan

Satıcı Firmanın:

Unvanı:
Adresi:
Telefonu:
Faks:
e-posta:

Fatura Tarih ve Sayısı:
Teslim Tarihi ve Yeri:
Yetkilinin İmzası:
Firmanın Kaşesi:

Bu bölümü, ürünü aldığınız Yetkili Satıcı imzalayacak ve kaşeyecektir.

<p>EE-Lisateave kasutusjuhendi jaoks: FI-Lisäteoteavo käyttöohjeeseen: HR-Dodatne informacije u vezi korišćenja priručnika: LT-Papildome naudotojų vadovo informacija: LV-Papildu informācija attiecībā uz lietotāja rokasgrāmatu: NL-Bijkomende informatie voor de gebruikershandleiding: PT-Informação adicional ao Manual do Utilizador: SK-Ďalšie informácie pre Používateľského príručku: SI-Dodatne informacije za uporabniški priručnik: SE-Ytterligare information för användarhandboken: RU-Дополнительная информация по руководству пользователя: RC-Dodatne informacije za korisnički priručnik: UA-Додаткова інформація, що доповнює вміст посібника користувача.</p>			
<p>Techniline teave madala võimsusega töötavate režimide kohta vastavalt ELI määrusele 2023/826 Tekniket tiedot pienitehoitilojen käytöstä EU-määräyksen 2023/826 mukaan Technické informácie o ruksavom naćinomu voźnĺs s brzmm ubravsavmjem u skludu s EU Uredbom 2023/826 Technicā informācija apie maźos galios veiksmos veikimā pagal ES reglamentā 2023/826 tehnikā informācija par mazjaudas rēžimem saskaņā ar ES regulu 2023/826 Technische informatie over de operationele spaarstanden conform EU-verordening 2023/826 Informaço tćcnica sobre os modos de funcionamento de baixo consumo de acordo com o Regulamento 2023/826 da UE. Technicķe informācio o prevādzovych rēzimoch nízkej spotreby podľa nariadenia EU 2023/826 Technicķe informācio o naćinĩ delovanja nízke porabe v skludu z Uredbo EU 2023/826 Technicķe informācio om lāgeeffektĩsena i enlghet med EU-fōrordning 2023/826 Техническа информация о работче режимех с ниском енергопотреблением в соответствии с Регламентом ЕС 2023/826 Technicķe informācio o radu i rēzimima niske potrošnje energije u skludu s Uredbom EU 2023/826 Технича информация щодо роботи в режимах низької потужності відповідно до Регламенту ЄС 2023/826</p>			
<p>Režim Tia Naćin rada Veiksena Režims Modus Modo Režim Naćin Lāge Režim Režim Režim</p>	<p>ENERGIATARBIMINE (VATT) VIRAKKULUTUS (WATTIA) POTROŠNIA ENERGIE (vat) VARTOJAMOJI GALIA (VATAIS) ENERGIJAS PATĒRŠNĪS (VATT) ENERGIEVERBRUIK (WATT) CONSUMO DE ENERGIA (WATT) SPOTREBA ENERGIE (WATT) PORABA ENERGIE (VAT) STRÖMFÖRBRUKNING (WATT) ЕНЕРГОПОТРЕБЛЕНИЕ (BATT) POTROŠNIA ELEKTRICNE ENERGIE (vat) СПОЖИВАНА ПОТУЖНОСТ, BATT</p>	<p>PERIOD(MINUITIT)* AIKAVALI (MINUUTTIA)* RAZDOLJE (MINUTE)* LAIKOTARPIS (MINUTES)* PERIODS (MINUTES)* PERIODE (MINUTEN)* PERIODO(MINUTOS)* DOBA (MINUTI)* OBOBBE (MINUT)* PERIOD (MINUTER)* PERIOD (MINUTE)* PERIOD (MINUTEN)* PERIOD (MINUTEN)*</p>	
<p>Vāļāzpool Pois Iskļūdućeno Iļjungties veikšana Izslēgts Uļ Deslgar Vyrputē Izloz Av Vylk Iskļūdućen Vilak.</p>	<p>0.3</p>	<p>0</p>	
<p>Oterezīm Vaimustia Pripavnost Budējimo veikšana Gaidstāves režims Stand-by Em Espera Pohotovostny režim Stanje pripavjenosti Vilodge Režim ošidānjā Pripavnost Režim ošidānjā</p>	<p>-</p>	<p>-</p>	
<p>Oterezīm koos teabe- või oiekukuariga Vaimustia teedolla tai tilanäöllä Naćin rada pripavnosti s prikazom informācija iļ statusa Budējimo veikšana rodant informāciju arba būsenā Gaidstāves režims ar informāciju vai statusa displejā Stand-bymodus met informācio de statusweergave Modo Em Espera com informācio ou exibido do estado Pohotovostny režim s informāćnym alebo stavovym displejom Naćin pripavjenosti s prikazom informācij ali stanja Vilodge med informācio- eller statusskärm Režim ošidānjā s slobrazhenāem informācijam ili sostojāniam Režim pripavnosti s prikazom informācija iļ statusa Režim ošidānjā z vlobrazhenāem informācijāi abo stanju</p>	<p>-</p>	<p>-</p>	
<p>Vōrguclatud oterezīm Vaimustilassa ilittynä verkkoon Naćin rada pripavnosti putem mrežne aktivācije Trikline budējimo veikšana Triklos gaidstāve Network stand-by Modo em espera em rede Sietovij pohotovostny režim Omezdno stanje pripavjenosti Nāvēksānānātie vilodge Setevoj režim ošidānjā Mrežna pripavnost Režim ošidānjā z pādlćnćenāem do mrežei</p>	<p>-</p>	<p>-</p>	
<p>*-Ajavahemik, mille järele seade jõuab automaatselt ooterežimi, välajalutatud režiimi või võrgu ooterežimi, minuttes ja ümardatuna lähima minutini. *-Akkaväl, jonka jälkeen laite saavuttaa automaattisesti valmiustilan, pois-tilan tai valmiustilassa liitetyn verkoon minuutissa ja pyöristettynä lähimmän minuuttin. *- Razdoblje nakon kojeg uređaj pređe u automatski prijavni i način rada pripavnosti, način rada isključeno ili način rada pripavnosti putem mrežne aktivacije u minutima i zaokruženo na najbližu minutu. *- Laikotarpis minūtēm, po kura jorāms perjūngāmā i automātinā budējimo veiksnā, iļjungties veiksnā ar triņķij budējimo veiksnā, suapvaldāms ik armiunāms minūtes *- Periods, pēc kura iekārtā automātski pāriet gaidstāves režimā, izslēgtā režimā vai tīklotās gaidstāves režimā, minūtes un noapaļots līdz tuvākajai minūtei. *- De periode waarna de apparatuur automatisch overschakelt naar stand-by, de uk-modus of network stand-by in minuten en afgerondt naar de dichtstbijzijnde minuut. *- O período após o qual o equipamento alcança automaticamente em minutos o modo em espera, o modo designado ou o modo em espera em rede e arredondado para o minuto mais próximo. *- Doba, po której zarządzenie przejdzie automatycznie do pohotovostného režimu, vypnutého režimu alebo sieťového pohotovostného režimu v minútach a zaokrúhľená na najbližšiu minútu. *- Čas, po katerem uređaj samodejno preide v stanje pripavjenosti, izklopljeno stanje ali omezdno stanje pripavjenosti, v minutah in zaokruženo na najbližjo minuto. *- Den period efter hvilken udstyretingen går automatisk i vilodge, tilsløjet eller tilknyttet vilodge i minutter og afrundet til nærmeste minut. *- Период, по истечении которого оборудование автоматически переходит в режим ожидания, выключения или сетевой режим ожидания, в минутах, округленный до ближайшей минуты. *- Period nakon kojeg uređaj automatski prelazi u režim pripavnosti, režim isključenoš ili režim mrežne pripavnosti, izraćen u minutima i zaokruženo na najbližu minut. *- Period часу, після якого обладнання автоматично переміняється в режим очікування, режим відключення або режим очікування з підключенням до мережі в хвилини, округлений до найближчої хвилини.</p>			

Ovaj dokument je originalno proizveden i objavljen od strane proizvođača, brenda Beko, i preuzet je sa njihove zvanične stranice. S obzirom na ovu činjenicu, Tehnoteka ističe da ne preuzima odgovornost za tačnost, celovitost ili pouzdanost informacija, podataka, mišljenja, saveta ili izjava sadržanih u ovom dokumentu.

Napominjemo da Tehnoteka nema ovlašćenje da izvrši bilo kakve izmene ili dopune na ovom dokumentu, stoga nismo odgovorni za eventualne greške, propuste ili netačnosti koje se mogu naći unutar njega. Tehnoteka ne odgovara za štetu nanесenu korisnicima pri upotrebi netačnih podataka. Ukoliko imate dodatna pitanja o proizvodu, ljubazno vas molimo da kontaktirate direktno proizvođača kako biste dobili sve detaljne informacije.

Za najnovije informacije o ceni, dostupnim akcijama i tehničkim karakteristikama proizvoda koji se pominje u ovom dokumentu, molimo posetite našu stranicu klikom na sledeći link:

<https://tehnoteka.rs/p/beko-stapni-usisivac-vrw-90421-vd-akcija-cena/>