

Uputstvo za upotrebu (EN)

HEINNER mašina za sušenje veša HHPD-HMK90IVFC+++

HEINNER



Tehnoteka je online destinacija za upoređivanje cena i karakteristika bele tehnike, potrošačke elektronike i IT uređaja kod trgovinskih lanaca i internet prodavnica u Srbiji. Naša stranica vam omogućava da istražite najnovije informacije, detaljne karakteristike i konkurentne cene proizvoda.

Posetite nas i uživajte u ekskluzivnom iskustvu pametne kupovine klikom na link:

<https://tehnoteka.rs/p/heinner-masina-za-susenje-vesa-hhpd-hmk90ivfc-akcija-cena/>

HEAT PUMP DRYER

Model:

HHPD-HMK90IVFC+++



- Heat pump dryer
 - 9 kg, C

HEINNER

1. INTRODUCTION

Please read the instructions carefully and keep the manual for future information.

This manual is designed to give all necessary instructions concerning installation, use and maintenance of the unit. In order to operate the unit correctly and safely, please read this instruction manual carefully before installation and use.

2. CONTENT OF YOUR PACKAGE

- ➔ **Tumble dryer**
- ➔ **User manual**
- ➔ **Warranty card**

3. SAFETY WARNINGS AND PRECAUTIONS

General

- Carefully read the instructions for use before using the dryer.
- Please, do not use the dryer without reading and understanding these instructions for use first.
- These instructions for use of a dryer are supplied with different types or models of dryers. Therefore, they may include descriptions of settings or equipment that are not available in your dryer.
- Failure to observe the instructions for use or inappropriate use of the dryer may result in damage to the laundry or the appliance, or injury to the user. Keep the instruction manual handy, near the dryer.
- Your dryer is intended solely for household use. If the dryer is used for professional, for-profit purpose or purpose exceeding normal use in a household, or if the dryer is used by a person who is not a consumer, the warranty period shall be equal to the shortest warranty period required by relevant legislation.
- Follow the instructions for the correct installation of the dryer and connection to the power mains.
- For appliances with ventilation openings in the base, a carpet must not obstruct the openings.
- The appliance must not be installed behind a lockable door, a sliding door or door with a hinge on the opposite side to that of the tumble dryer, in such a way that the full opening of the tumble dryer door is restricted.
- All and any repairs or maintenance tasks on the dryer should only be done by trained experts. Unprofessional repair may result in an accident or major malfunction.
- To avoid danger, a damaged power cord may only be replaced by the manufacturer, a service technician, or an authorized person.
- After installation, the dryer should stand still for two hours before it is connected to the power mains.
- At least two people are required to install the tumble dryer on top of a washing machine.
- Install the dryer in a room with adequate ventilation and a temperature between 10 °C and 25 °C.
- Always use the ducts or hoses supplied with the dryer.
- Place the dryer on a level and stable solid (concrete) base.
- Do not place the dryer behind lockable or sliding door, or door with a hinge on the opposite side of the dryer door hinge. Install the dryer in such way that the door can always be freely opened.
- Never block the air exhaust (evacuation opening).

Do not place the dryer on a carpet with long fibres as this may impede air circulation.

- Air in the dryer environment should not contain dust particles.
- The appliance may not be in contact with a wall or adjacent furniture.
This appliance must not be stored or used in any outdoor location.
- That adequate ventilation has to be provided to avoid the back flow of gases into the room from appliances burning other fuels, including open fires.

Electrical safety

- If the supply cord is damaged, it must be replaced by the manufacturer, its service agent or similarly qualified persons in order to avoid a hazard.
- The dryer may not be connected to the power mains using an extension cord.
- Do not connect the tumble dryer to an electrical outlet intended for an electric shaver or a hair dryer.
- The dryer is protected with an automatic switch-off system in case of overheating. This system will switch off the dryer if the temperature is too high.
- If the net filter is clogged, the overheating automatic switch-off system may be activated. Clean the filter, wait for the dryer to cool down, and try running it again. If the dryer still fails to start, call a service technician.
- Do not use multiple outlet sockets, an extension power cable or double adapter with this appliance.
- This appliance must be earthed via the power cord. In the event of malfunction or breakdown, grounding will reduce the risk of electric shock by providing a path of least resistance for electric current.
- Improper connection of the equipment-grounding conductor can result in risk of electric shock. Check with qualified electrician or service personnel if you are in doubt as to whether the appliance is properly grounded.
- This appliance is equipped with a power cord having an equipment-grounding earthing pin and a grounding power plug. The power plug must be plugged into an appropriate outlet socket that is installed and grounded in accordance with all local codes and ordinances.
- Never unplug the appliance by pulling on the power cable. Always grip the power plug firmly and pull straight out from the outlet socket.
- Do not spray water inside or outside the appliance to clean it.
- The appliance must not be supplied through an external switching device, such as a timer, or connected to a circuit that is regularly switched on and off by a utility.
- There is a risk of electric shock as the dryer is operated with electricity.
- Check the dryer for visible damage.
- You must not operate the dryer if it is damaged.
- Before connecting the dryer to the power supply, ensure that the electric voltage specified on the rating plate matches the voltage of your socket.
- Only use residual current circuit breakers with the following symbol.
- Ensure that the mains cable is not kinked or trapped, and it does not come into contact with heat sources or sharp edges.

Children safety

- This appliance is not intended for use by persons (including children) with reduced physical, sensory or mental capabilities, or lack of experience and knowledge, unless they have been given supervision or instruction concerning use of the appliance by a person responsible for their safety.
- Children should be supervised to ensure that they do not play with the appliance.
- This appliance can be used by children aged from 8 years and above and persons with reduced physical, sensory or mental capabilities or lack of experience and knowledge if they have been given supervision or instruction concerning use of the appliance in a safe way and understand the hazards involved. Children shall not play with the appliance. Cleaning and user maintenance shall not be done by children without supervision.

- Children of less than 3 years should be kept away unless continuously supervised.
- Prevent your children and pets from entering the dryer drum.
- Before closing the dryer, door and running the programme, make sure there is nothing except laundry in the drum (e.g. if a child climbed into the dryer drum and closed the door from the inside).
- Do not leave the appliance door open. Children may hang on the door or crawl inside the appliance, causing damage or injury.

Use

- The tumble dryer is not to be used if industrial chemicals have been used for cleaning.
- The lint trap has to be cleaned frequently.
- Do not dry unwashed items in the tumble dryer.
- Items that have been soiled with substances such as cooking oil, acetone, alcohol, petrol, kerosene, spot removers, turpentine, waxes and wax removers should be washed in hot water with an extra amount of detergent before being dried in the tumble dryer.
- Items such as foam rubber (latex foam), shower caps, waterproof textiles, rubber backed articles and clothes or pillows fitted with foam rubber pads should not be dried in the tumble dryer.
- Fabric softeners, or similar products, should be used as specified by the fabric softener instructions.
- Remove all objects from pockets such as lighters and matches.
- Oil-affected items can ignite spontaneously, especially when exposed to heat sources such as in a tumble dryer. The items become warm, causing an oxidation reaction in the oil. Oxidation creates heat. If the heat cannot escape, the items can become hot enough to catch fire. Piling, stacking or storing oil-affected items can prevent heat from escaping and so create a fire hazard.
- If it is unavoidable that fabrics that contain vegetable or cooking oil or have been contaminated by hair care products be placed in a tumble dryer they should first be washed in hot water with extra detergent - this will reduce, but not eliminate, the hazard.
- In case of a defect, only use approved spare parts by authorized manufacturers.
- If the condensate tube is blocked or clogged, then tumble dryer operation is stopped.
- Before moving the dryer or before storing it in a non-heated room during the winter, the condensate tank has to be emptied.
- Clean the dryer filters after each drying cycle. If you have removed the filters, replace them before the next drying cycle.
- Do not use any solvents or cleaning agents that could damage the dryer.
- Never add chemicals or fragrances into the condensate tank.
- After the drying process, unplug the dryer power cord from the power outlet.
- The dryer uses a heat pump system to heat the air.
- The system consists of a compressor and a heat exchanger. When the dryer is started, compressor operation (the sound of flowing liquid) or flow of refrigerant may be louder as long as the compressor operates. This is not a sign of malfunction, and it will not affect useful life of the dryer. Intime and with use of the dryer this noise will become quieter.
- Do not drink or prepare food with condensed water/distilled water. It can cause health problems to people and pets.
- Remove clothes from the product immediately when drying is complete or the power is turned off during the drying process. Leaving clothes that has been dried in the appliance unattended could result in fire. Clothes not removed from the appliance after drying could result in fire. Remove clothes immediately after drying, and then hang or lay the clothes flat to cool.
- Never attempt to operate the appliance if it is damaged, malfunctioning, partially disassembled, or has missing or broken parts, including a damaged cord or plug.
- Do not attempt to separate any panels or disassemble the appliance. Do not apply any sharp objects to the control panel in order to operate the appliance.
- Never reach into the appliance while it is operating. Wait until the drum has completely stopped.
- In case of flood, disconnect the power plug and contact the After-sales Service Centre.

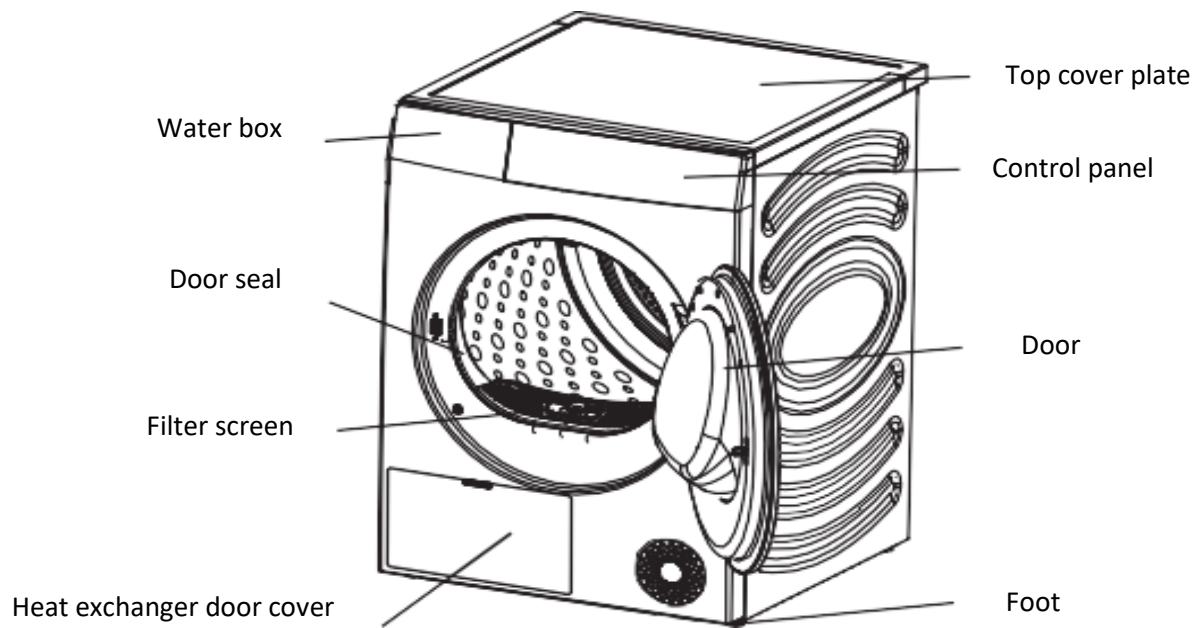
- Do not push down on the door when the appliance door is open.
- Do not touch the power plug or the appliance controls with wet hands.
- Do not bend the power cable excessively or place a heavy object on it.
- Lint must not be allowed to accumulate around the tumble dryer.
- Keep the area underneath and around the appliance free of combustible materials such as fibres, paper, rags, chemicals, etc.
- As the dryer is heavy, you could injure yourself by trying to lift it. Do not lift the dryer on your own.
- You could cut your hands on the sharp edges of the dryer. Do not hold the dryer by the sharp edges.
- Protruding parts on the dryer may break off when it is lifted or pushed.
- Do not move the dryer by holding onto protruding parts.
- Check the dryer for damage caused during transportation. Never operate a dryer if it is damaged.
- Any residual water in the dryer may freeze and damage the dryer.
- Do not install the dryer in rooms that are at risk of frost.
- The appliance contains refrigerant which although it is environmentally friendly, is flammable R290. Failure to dispose of it properly may result in a fire or poisoning. Dispose of the appliance properly and do not damage the pipes in the refrigerant circuit.

WARNING: Never stop a tumble dryer before the end of the drying cycle unless all items are quickly removed and spread out so that the heat is dissipated.

WARNING: In the appliance enclosure or in the built-in structure, keep ventilation openings clear of obstruction.

- At higher drying temperatures, the door glass will heat up. Be careful to avoid burns. Make sure children do not play near the door glass.
- The back of the dryer may get very hot during operation. Wait for the dryer to cool down completely before touching its back side.
- If you open the dryer door during the drying process, the clothes may be very hot and there is a risk of burning.

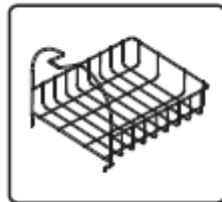
4. PRODUCT DESCRIPTION



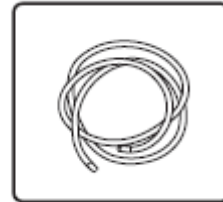
Accessories



User manual



Drying rack



Drainpipe

5. INSTALLATION

- The clothes dryer must be properly installed by qualified professionals to ensure use safety.
- The user shall be responsible for the service caused by poor and incorrect installation

Precautions before installation

Installation environment

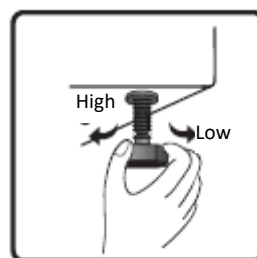
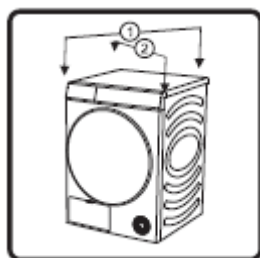
- It is recommended to be installed in an embedded space, please reserve the minimum installation clearance for the dryer: 25 mm at the top, 20 mm at the left and right sides and 50 mm at the back.

Installation requirements

- Please install the dryer in a dry and well-ventilated place with flat and solid ground. Do not place it on carpet, cardboard, or place with direct sunlight.
- The working environment temperature of the dryer is 5 °C – 35 °C. Do not place it below 0 °C or at a high temperature. The appliance performs best at a room temperature of 23 °C.
- During handling, the inclination angle of the dryer shall not exceed 45°; after handling, it needs to stand for more than 2 hours.
- The dryer shall not be placed next to the oven, stove and other high-temperature equipment, nor next to the refrigeration equipment. The back of the dryer must be well ventilated.
- It is recommended that the clothes dryer and washing machine be placed close to each other to facilitate clothes dehydration after washing dehydration.
- Install the appliance on a flat hard floor. Allowable slope under the appliance is 1 degree.

Adjustable foot

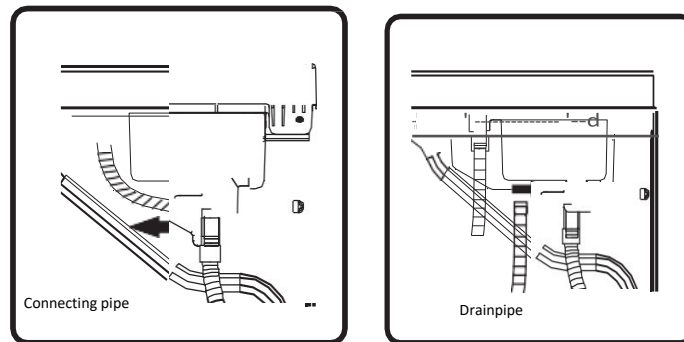
- Press the diagonal on the top of the dryer to confirm whether the dryer is in a stable state.
- If the dryer shakes, rotate the four adjustable feet at the bottom to adjust them to the appropriate height to ensure that the dryer is in a stable state.
- Never try to correct any unevenness in the floor with pieces of wood, cardboard or similar materials under the appliance.



Installation of the drainpipe

- Usually, the condensate water after drying is stored in the water box, and the water box needs to be emptied after each program. If the installation position of the dryer is close to the sewer, or the clothes dryer is stacked on the washing machine, the attached drainpipe can be installed to discharge the water directly to the sewer.

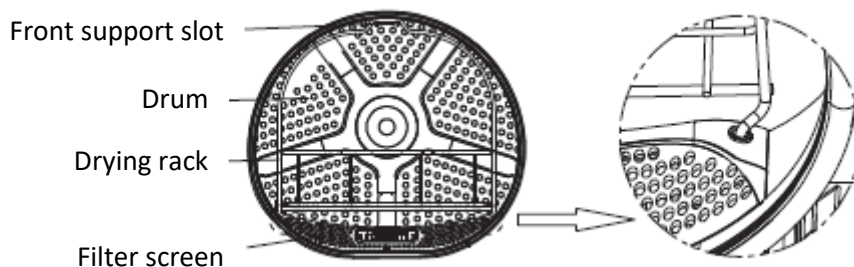
- Remove the connecting pipe at the rear of the water box and install the drainpipe among the attached accessories to this position (as shown in the figure). Please confirm that the installation connector is firmly connected.



- Please insert the other end of the drainpipe into the floor drain without twisting or flattening. If the pipe is too long, please cut off the excess part.
- The drainpipe shall not be higher than the dryer, otherwise the water cannot be drained.
- Do not place the drain in accumulated water, which may cause back suction.
- After the drainpipe is installed in place, the condensate water can be discharged directly without emptying the water box after each use.

Drying rack

- When drying shoes and plush toys, etc., or selecting rack dry, the drying rack can be used.
- When drying clothes, please take out the drying rack.
- Installation of drying rack: Please tilt the drying rack to a certain angle with the lower end clamped in the two holes of the filter screen and the upper end hooked in the slot of the front support.



Power supply connection

- Ensure that the power supply is consistent with the power requirements of the dryer.
- The dryer must be grounded reliably.
- Do not use a power strip or multi-purpose socket for secondary connection.

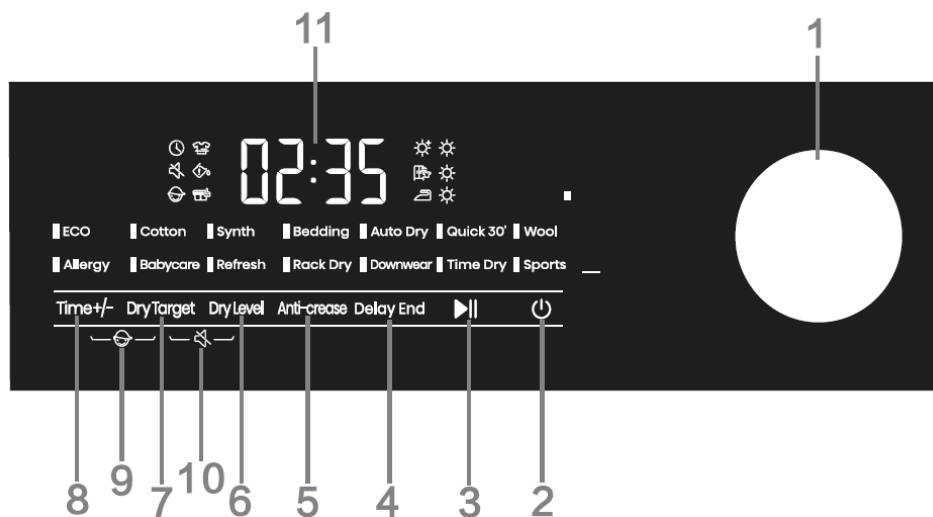
NOTE: Always unplug the appliance after use.

Stacked installation

- The dryer can be stacked with a washing machine with 486 mm side plate of the box.
- When stacking, it shall be fixed with accessories for stacking. Please contact qualified service personnel for installation.

- Without stacking accessories, the dryer and washing machine must not be stacked to avoid safety accidents.
- For safety reasons, two or more people need to work together to install. The weight of the appliance and the height of the installation makes the installation procedure too risky for one person.
- The surface on which the appliance is placed should be clean and level.
- The stack suit needs to be placed against the wall with a distance of 50-200 mm.

6. USING THE PRODUCT



1. Knob

It is used for program selection

2. Power

Press to turn on/off the dryer

3. Start/Pause

Press the "Start/Pause" key to pause or start the program

4. Delay end

This function can delay the end time of the program.

Make an appointment after selecting program and functions. Press „Delay End” button to add or reduce the delay end time. The time changes by 1 h for each press, and the maximum optional time is 24 h

The delay end time is the end of the program, including the running time of the whole program, so the delay end time must be longer than the running time of the program.

During the delay end process, the icon is lit up. After the delay end process ends, the delay end icon goes out.

Before the program starts, the selected delay end can be canceled by selecting other programs or function keys.

After the program is started, in case of canceling the delay end, shut down and restart the dryer.

5. Anti crease

If the clothes cannot be taken out in time after drying, select the anti-crease function. At this time, the drum rotates intermittently to reduce clothes from creasing.

Touch any key or open the door to exit the anti-crease mode. If there is no operation, the longest execution will end automatically after 12 h by default.


When the icon is lit up, it indicates that the anti-crease function is enabled.


This function can be selected until the end of the drying process.

6. Dry Level

The dry level is divided into 3 levels, and the display shows 1-3 suns, which can be used to dry clothes according to the number and material of the clothes

7. Dry target

For selection of drying effect. The default option is , and press the dry level key to select.

 - Extra, means the clothes can be stored after drying.

 - Cupboard, means the clothes can be worn immediately after drying

 - Iron, means the clothes has small amount of water and can be ironed.

8. Time +/-

Before the program starts, this function can add or reduce drying time of the program. Press continuously to cycle through the set tap positions. Different programs have different tap position settings.

9. Child lock

In order to avoid children's misoperation and protect children's safety, this dryer is equipped with child lock. After the program is started, press and hold „Time+/- and Dry target” simultaneously, the child lock will be enabled and the child lock icon will lit up. The child lock can be released by the same operation.

After the child lock function is set, other function keys are locked. In case of program ends or restart after power-off, the child lock function set remains.

After the child lock function is enabled: press the „start pause” key to cancel the prompt in case of prompt for lint and debris cleaning. During running in anti crease mode, the child lock needs to be released manually, and the anti crease function ends automatically.

10. Mute

It is used to turn on/off the beel, except the alarm tone.

After standby or startup, press and hold „dry target and dry level” key to turn on/off the mute function.

11. Display

It is used to display the remaining time, appointment time, fault code and other information of the program. The time displayed by the program may be different from the actual running time. Due to the influence of type of clothes, load the clothes, water content after dehydration and ambient temperature, the actual time drying will be automatically adjusted.

When the program ends, „End” will be displayed

Drum light

This dryer is equipped with a drum light. In the states of standby, operation (rotate the knob, press any key or open the door), pause, and program ends, the drum light will automatically illuminate for 1 minute and the turn off automatically, so the drum interior can be seen.

Stop when the clothes are dry.

This dryer stops when the clothes are dry. When the load of clothes is small, it is likely that the program is not completed but the clothes have been dried, at this time, the program will end automatically to save energy.

Program table

Programs	Description	Maximum capacity
Cotton	Use this program for thicker non-sensitive cotton laundry of approximately the same thickness. After drying, it will be dry.	9 kg
Synthetics	The program is used for drying delicate laundry made of synthetics fibres.	4.5 kg
ECO	Use this program for drying of ordinary cotton clothes	9 kg
Bedding	Use the program for larger items. When the program is complete they will be dry. Adjusted drum rotation prevents the laundry from tangling.	2.5 kg
Down wear	Use this programme to dry textiles stuffed or padded with down (pillows, duvets, jackets etc.). Dry large items separately and use the Extra Dry function or the Time Programme if necessary.	2 kg
Sports	Use this programme for clothing with a membrane, for sportswear made of mixed materials and breathable fabrics.	2 kg
Auto Dry	Use this program for thicker non-sensitive cotton laundry of approximately the same thickness. After drying, it will be dry or slightly moist.	4.5 kg
Baby care	Use this programme to dry baby clothes. Clothes dried with this programme are usually normally dry	2 kg
Allergy care	For removing allergens such as mites	2 kg
Quick 30	For quick drying of light and thin clothes.	0.5 kg
Refresh	In this programme, the heater is switched off. The programme is suitable for refreshing your laundry.	/
Wool	This short program is intended for softening or fluffing of clothes made of wool and silk which have to be dried thoroughly according to manufacture's instructions.	1 kg
Rack dry	When using this program, you can place the load to be dried (e.g., small stuffed animals, sneakers, etc.) on the drying rack for drying	/
Time dry	Use this programme for non-sensitive laundry that is still slightly moist and has to be thoroughly dried. In the time programme, remaining moisture is not detected automatically. If the laundry is still damp after the program is complete, repeat the programme; if it is too dry and therefore creased and rough to touch, the drying time you selected was too long	/

Tips for clothes drying

- Clothes must be dehydrated before being put into the dryer. In order to save energy, please increase the dehydration speed of washing machine to above 1000 rpm.
- Please shake the dehydrated clothes up before putting them into the dryer.
- In order to achieve ideal drying effect, please classify the clothes by types and select the appropriate drying program. Each program has its maximum load requirements, and do not overload.
- After drying clothes, clean the lint and debris filter screen in time.
- When drying a small amount of clothes, it is recommended to use a timer program.
- Do not dry the starched clothes, because the hardening of the starch layer will reduce the drying effect.
- Clothes that are easy to fade should be dried separately.
- A mixed fabric load can cause the drying time to be extended and the time remaining in the display to pause during active drying. The remaining time will then continue when it is the actual time that remains.

Preparation before clothes drying

- Before drying, please check the clothing tab to confirm whether it is suitable for drying.
- Empty your pockets and take out coins, pins, keys and other items to avoid clothing damage.
- Zip up the zipper, button up the buttons and tighten the belt. In order to avoid the sound of zippers and buttons during drying, please turn the clothes over before putting them into the dryer.
- Check whether the water box is drained off and whether the lint and debris filter has been cleaned and installed in place.

NOTE

- The drying time of clothes will be automatically adjusted according to the following factors:
- type of clothes, load of clothes, water content after dehydration, and ambient temperature.
- Please be sure to check the clothing tag to ensure that the clothes can be dried to avoid damage to the clothes.
- Drying clothes with different textures and thicknesses at the same time will have different drying effects.
- Users can choose the appropriate program according to their habits. If the clothes are not completely dried, additional drying of timer program can be selected.
- When drying large fabrics such as bed sheets and quilt covers, due to large load, they may be wrapped into clusters, affecting the drying effect. Please take them out and shake them up before putting them into the dryer to continue drying.
- When drying down clothes, please turn out the inner side of the clothes before drying.

7. CLEANING AND MAINTENANCE

Regular maintenance can prolong the service life of the dryer. Be sure to cut off the power supply before maintenance.

Exterior of the dryer

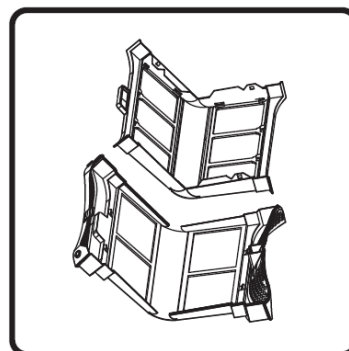
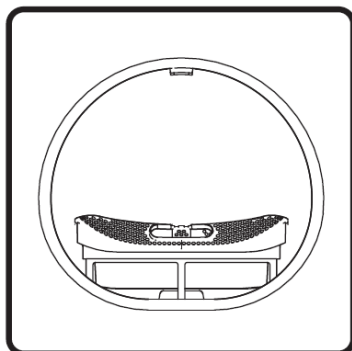
- Clean with a soft wet cloth and wipe the body surface with a non-corrosive household cleaner.
- Then, dry it with a soft dry cloth.

Door seal

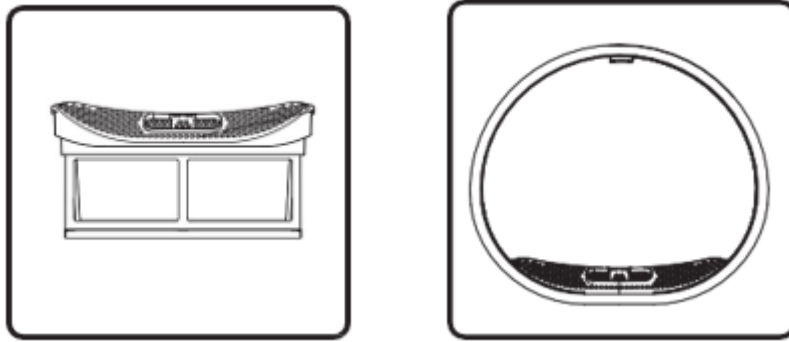
- Check the door seal regularly and clean it with wet cloth if necessary.
- After use, open the door slightly for ventilation and drying.

Clean the lint and debris filter screen

- Excessive fluff accumulated on the filter screen will affect the drying effect. Please clean the filter screen after each use.
- After cleaning, be sure to reinstall the filter screen in place before use.



1. Open the door and take out the filter screen from the front support.
2. Open the filter screen and clean the fluff of the two-layer filter screen with a wet towel or flowing water.




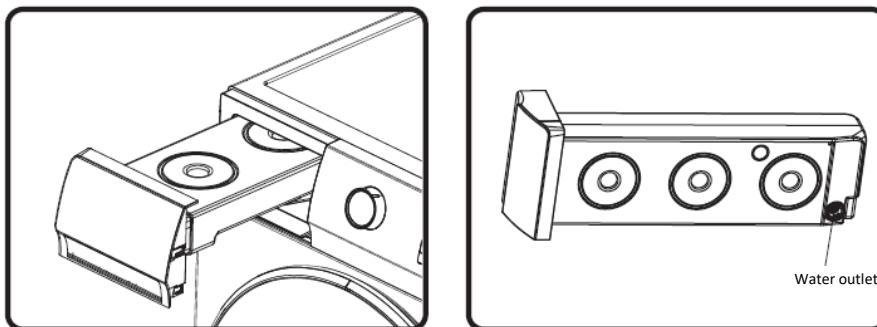
3. After drying the filter screen, reassemble it.
4. Install the filter screen to the front support.

Notes:

- There is a temperature sensor at the bottom of the front support. After the lint and debris filter screen is taken out, please be careful not to touch it to avoid scratching.
- When reinstalling the filter screen, install in the correct direction and at the correct position.
- Do not use this dryer when the filter screen is not installed correctly.

Cleaning of water box

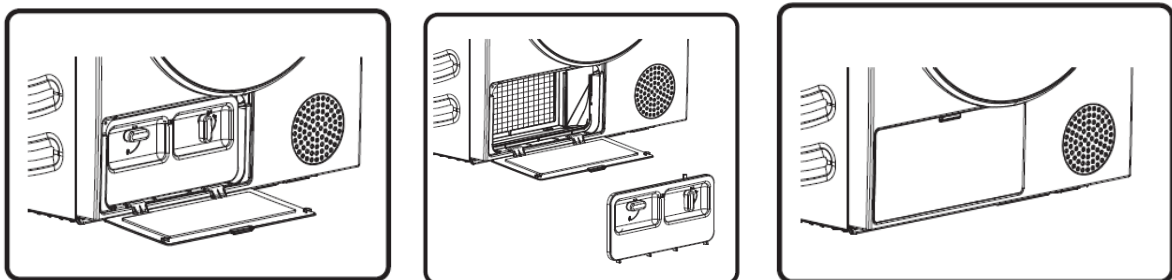
- If the drainpipe is not installed, the condensate water after drying is stored in the water box. Please drain it off it in time after program ends.
- During running, if the water box is full,  on the display flashes for prompt, please empty the water box immediately.
- The condensate water is not edible.



- Take out the water box horizontally to avoid spillover of condensate water.
- Dump the condensate water and reinstall the water box in place.

Cleaning of heat exchanger

Please clean the heat exchanger regularly, otherwise the performance of the dryer will be affected.



1. Press the buckle of the heat exchanger door cover at the lower left to open the door cover.
2. Turn the locking knob of the base filter cover to unlock position.

After using for a period of time, if there is dust on the heat exchanger, please remove the dust with tools. Do not touch the heat exchanger directly with your hands to avoid injury.

3. Install the cleaned filter and filter cover back to the original positions, lock the knob and close the heat exchanger door cover

8. TROUBLESHOOTING

When the machine fails to operate normally, it may not be a fault. Please refer to the following methods for troubleshooting. If the fault still exists after self handling according to the recommended method, please unplug the power supply and contact us for after-sales service.

Problem	Recommended handling method
The dryer cannot be started	<ul style="list-style-type: none"> *Check the power connection. *Confirm the "Start Pause" key is pressed down. *Confirm the door is closed properly. *House fuse is blown, circuit breaker has tripped, or power outage has occurred.
The dryer cannot be started and displays "End"	<ul style="list-style-type: none"> *Check whether the program setting is correct. *Confirm there are clothes in the drum.
Excessive drying time	<ul style="list-style-type: none"> *Check whether the program setting is correct. *Confirm whether there are too many clothes wrapping into clusters. *Check whether the filter screen is cleaned. *There will be air supply for cooling after drying in some programs.
Poor drying effect	<ul style="list-style-type: none"> *Confirm that the clothes have been dehydrated. *Check whether the program setting is correct. Confirm that there are too many clothes. *Load is not properly sorted. Whether clothes that are not easy to dry are mixed with clothes that are easy to dry. *Large load of heavy fabrics. *Check whether the filter screen is cleaned.
The remaining time of the display stops or jumps	*The remaining time varies with clothing type, load, dehydration and ambient temperature, which is a normal phenomenon.
Clothes are wrinkled	<ul style="list-style-type: none"> *Clothes have dried too long. Try a shorter drying time. *Clothes have been left in the appliance for too long after cycle ends.
The dryer is too loud	<ul style="list-style-type: none"> *Look for coins, loose buttons, nails, and other objects and remove them immediately. *Check the lint filter. Remove any items stuck inside the lint filter. *Make sure the dryer is level and standing firmly on the floor. *The dryer may hum due to air moving through the drum and fan. This is normal.

Problem	Recommended handling method
Clothes are shrinking.	*Garment care instructions are not being followed. Use a low or no heat setting
Lint is left on clothes.	<ul style="list-style-type: none"> *Lint filter has not been cleaned properly. *Clothes have not been sorted properly. *Some fabrics cause more lint and should be dried separately from fabrics that lint attaches easily. *Tissue, paper, etc., has been left in pockets.
The appliance has an odour.	*The smell is caused by rubber material that is attached to the appliance inside. This kind of smell is a rubber's own smell and disappears automatically after using the appliance several times.

	<p>*When washing the clothes, use the detergent in accordance with the manufacturer's recommendations. If you use the detergent excessively not according to the recommendations, undissolved detergent may accumulate on the clothes and cause an odour.</p> <p>*You can smell odours from the clothes if the clothes were left in the appliance after drying or in the washing machine after washing. Unload the clothes promptly at the end of the drying or washing cycle.</p> <p>*Ensure you can smell same odour in the washing machine. If so, clean the tub of the washing machine referring to the washing machine user manual.</p> <p>*Always take care of both lint filters clean. If any residues were left in the lint filter after drying, it may cause odours. And also dry the lint filter completely after cleaning.</p>
The machine is powered on and started directly after power failure but does not work.	*When the program is suspended, the set functions cannot be changed. If the program or function needs to be changed during operation, or the power is off during operation and the power needs to be powered on again, turn the knob to "Off", then turn the knob again to select the required program and function, and finally start it.

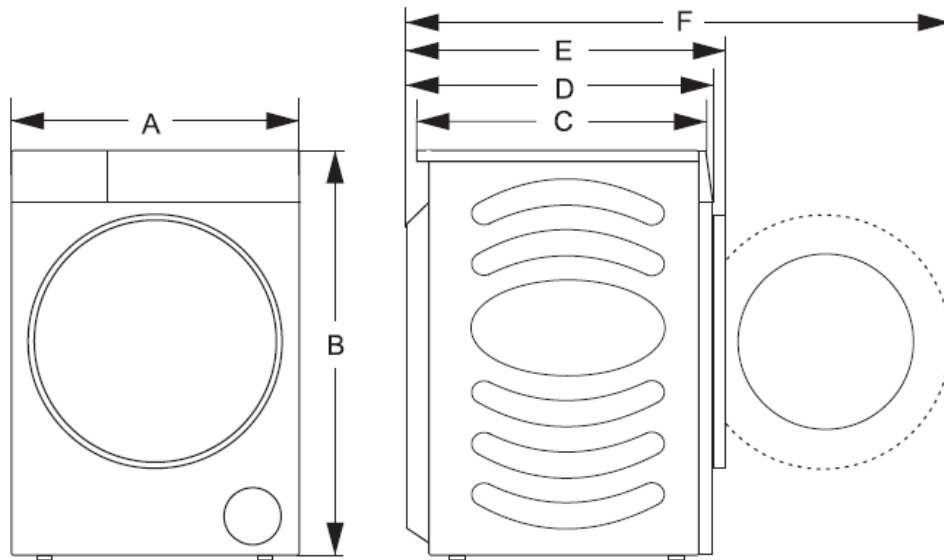
Error codes

Code	Problem	Recommended handling method
F50/F51	Abnormal sensor	*Please contact the authorized service
F22	Abnormal display the motor control and the power board	*Press the Power for 3 seconds, and press the "start/pause" button again *If the problem is not removed, please contact the authorized service.
F21	Abnormal display panel and the power board	*Rotate the knob to "OFF" to shut down the dryer, and restart it after 10 seconds *If the problem is not removed, please contact the authorized service.

Technical data

Product	HHPD-HMK90IVFC+++
Colour	220-240V – 50Hz
Rated capacity	9 kg
Rated power	550 W
Product dimensions (WxDxH)	595 x 685 x 845
Net weight	53 kg
Refrigerant	R290
Charge	125 g

Dimensions	A	595 mm
	B	845 mm
	C	590 mm
	D	640 mm
	E	685 mm
	F	1170 mm



Programme Instructions

The table indicates the power consumption and time values for drying of a test batch of laundry with various loads and after washing machine spinning .

The following requirements apply to the consumption values specified below.

- 1.The values given for programs other than the Eco program are indicative only;
- 2.Results of Wool program is based on wool load with 5% initial moisture content.
- 3.The Eco program is suitable to dry wet cotton laundry, and that this program is used to assess the compliance with the EU ecodesign legislation.
- 4.The Eco program is the most efficient program in terms of energy consumption for drying wet cotton laundry.
- 5.Loading the household tumble dryer up to the maximum capacity indicated by the manufacturer for the respective programs will contribute to energy savings.
- 6.At full load of Eco program, acoustic airborne noise emission of the drying cycle: 64dB.
- 7.The product information and QR code are reflected in the energy consumption label the product registration information can be obtained by scanning the QR code.
- 8.The power consumption of the off-mode is 0.5W. Time on switching automatically to off-mode : 10min.

Program	Rated Capacity	Spinning (rpm)	Program consumption (kWh/cycle)	Program duration (h:m)	Final moisture content (%)
Eco	9	/	1.72	03:28	1.5
Synthetics	4.5	1000	0.60	01:30	0.5
Cotton	9	1000	1.86	04:05	0.5
Wool	1	/	0.16	00:30	1.0

Due to deviations in terms of type and amount of laundry, spinning, power supply oscillation, and environment temperature and humidity, the values measured at the user may differ from the one stated in the table.

CUSTOMER CARE AND SERVICE

Always use original spare parts.

When contacting our Authorised Service Centre, ensure that you have the following data available: Model and Serial Number.

The information can be found on the rating plate. Subject to change without notice.

The technical information is situated in the rating plate on the internal side of the appliance and on the energy label.

The QR code on the energy label supplied with the appliance provides a web link to the information related to the performance of the appliance in the EU EPREL database.

Keep the energy label for reference together with the user manual and all other documents provided with this appliance.

It is also possible to find the same information in EPREL using the link <https://eprel.ec.europa.eu> and the model name and product number that you find on the rating plate of the appliance.

To access information about your product in the EPREL portal, you can scan the codes below:



Thank you for purchasing this product. If you need support with your product, visit our website using the links below.

Get User manuals: <https://www.heinner.ro>

Get Service information: <https://www.heinner.ro>

**Environment friendly disposal**

You can help protect the environment!

Please remember to respect the local regulations: hand in the non-working electrical equipment's to an appropriate waste disposal centre.



HEINNER is a registered trademark of **Network One Distribution SRL**. Other brands and product names are trademarks or registered trademarks of their respective holders.

No part of the specifications may be reproduced in any form or by any means or used to make any derivative such as translation, transformation, or adaptation without permission from NETWORK ONE DISTRIBUTION.

Copyright © 2013 Network One Distribution. All rights reserved.

www.heinner.com, <http://www.nod.ro>



This product is in conformity with norms and standards of European Community



Importer: **Network One Distribution**

Marcel Iancu Street, 3-5, Bucharest, Romania

Tel: +40 21 211 18 56, www.heinner.com , www.nod.ro

USCĂTOR DE RUFЕ CU POMPĂ DE CĂLDURĂ

Model:

HHPD-HMK90IVFC+++



- Uscător de rufe cu pompă de căldură
 - 9 kg, C

HEINNER

1. INTRODUCERE

Vă rugăm să citiți instrucțiunile cu atenție și să păstrați manualul pentru consultări ulterioare.

Acest manual are scopul de a vă oferi toate instrucțiunile necesare cu privire la instalarea, utilizarea și întreținerea aparatului. Pentru utilizarea corectă și în siguranță a aparatului, vă rugăm să citiți cu atenție acest manual de instrucțiuni înainte de instalare și utilizare.

2. CONȚINUTUL PACHETULUI DUMNEAVOASTRĂ

- ➔ Uscător de rufe
- ➔ Manual de utilizare
- ➔ Certificat de garanție

3. AVERTISMENTE ȘI MĂSURI DE PRECAUȚIE

Informații generale

- Citiți cu atenție instrucțiunile înainte de a utiliza uscătorul.
- Vă rugăm să nu folosiți uscătorul fără să citiți și să înțelegeți mai întâi aceste instrucțiuni de utilizare.
- Aceste instrucțiuni de utilizare a unui uscător sunt furnizate împreună cu diferite tipuri sau modele de uscătoare. Prin urmare, ele pot include descrieri ale unor setări sau dotări care nu sunt disponibile pentru uscătorul dumneavoastră.
- Nerespectarea instrucțiunilor de utilizare sau utilizarea necorespunzătoare a uscătorului poate duce la deteriorarea rufelor sau a aparatului sau la rănirea utilizatorului. Păstrați manualul de instrucțiuni la îndemână, lângă uscător.
- Acest uscător este destinat exclusiv uzului casnic. În cazul în care uscătorul este utilizat în scopuri comerciale, profesionale sau care nu se încadrează în utilizarea normală într-o gospodărie, sau dacă uscătorul este utilizat de o persoană care nu are calitatea de consumator, perioada de garanție va fi egală cu cea mai scurtă perioadă de garanție prevăzută de legislația relevantă.
- Urmați instrucțiunile pentru instalarea corectă a uscătorului și conectarea la rețeaua de alimentare cu energie electrică.
- În cazul aparatelor cu orificii pentru ventilație la bază, asigurați-vă că acestea nu sunt obstrucționate de un covor.
- Aparatul nu trebuie instalat în spatele unei uși care poate fi blocată, al unei uși glisante sau cu balama pe partea opusă față de cea a uscătorului, astfel încât deschiderea completă a ușii uscătorului să fie împiedicată.
- Toate reparațiile sau operațiile de întreținere a uscătorului de rufe trebuie să fie efectuate numai de către experți calificați. Reparațiile efectuate de către persoane necalificate pot avea ca rezultat accidente sau defecțiuni majore.
- Pentru evitarea pericolelor, în cazul în care cablul de alimentare este deteriorat, acesta trebuie înlocuit de către producător, de către agentul său de service sau de persoane cu o calificare similară.

- După instalare, uscătorul trebuie lăsat să stea nemișcat timp de două ore înainte de a fi conectat la sursa de alimentare cu energie electrică.
- Este nevoie de cel puțin două persoane pentru a instala uscătorul de rufe deasupra unei mașini de spălat.
- Instalați uscătorul într-o încăpere cu o ventilație adecvată și o temperatură cuprinsă între 10 °C și 25 °C.
- Utilizați întotdeauna conductele sau furtunurile furnizate împreună cu uscătorul.
- Așezați uscătorul pe o bază solidă (din beton), dreaptă și stabilă.
- Nu puneți uscătorul în spatele unei uși cu încuietore sau glisante, sau a unei uși prevăzute cu balamale pe partea opusă balamalei ușii uscătorului. Instalați uscătorul în așa fel încât ușa să poată fi întotdeauna deschisă cu ușurință.
- Nu blocați în niciun caz evacuarea aerului (orificiul de evacuare).
Nu puneți uscătorul pe un covor cu fire lungi, deoarece acest lucru poate împiedica circulația aerului.
- Aerul din mediul în care este utilizat uscătorul nu trebuie să conțină particule de praf.
- Aparatul nu trebuie să fie în contact cu un perete sau cu mobilierul din imediata apropiere.
Acest aparat nu trebuie să fie depozitat sau utilizat în locuri situate în aer liber.
- Trebuie asigurată o ventilație corespunzătoare, pentru a se evita întoarcerea în încăpere a gazelor provenite de la aparate care ard alți combustibili, inclusiv cu foc deschis.

Siguranța electrică

- Pentru evitarea pericolelor, în cazul în care cablul de alimentare este deteriorat, acesta trebuie înlocuit de către producător, de către agentul său de service sau de persoane cu o calificare similară.
- Uscătorul nu poate fi conectat la rețeaua de alimentare cu energie electrică folosind un prelungitor.
- Nu conectați uscătorul de rufe la o priză electrică destinată alimentării unui aparat de ras electric sau unui uscător de păr.
- Uscătorul este protejat cu un sistem automat de oprire în caz de supraîncălzire. Acest sistem va opri uscătorul dacă temperatura este prea ridicată.
- Dacă filtrul de plasă este înfundat, sistemul de oprire automată în caz de supraîncălzire poate fi activat. Curățați filtrul, așteptați ca uscătorul să se răcească și încercați să îl porniți din nou. Dacă uscătorul tot nu pornește, contactați serviciul de asistență tehnică.
- Nu utilizați prize multiple, un cablu prelungitor sau un adaptor dublu cu acest aparat.
- Acest aparat trebuie să fie legat la pământ prin intermediul cablului de alimentare. În cazul unei funcționări necorespunzătoare sau al unei defecțiuni, legarea la pământ va reduce riscul de șoc electric prin asigurarea unei căi de minimă rezistență a curentului electric.
- Conectarea necorespunzătoare a conductorului de legare la pământ poate duce la apariția pericolului de șoc electric. Consultați un electrician calificat sau un reprezentant de service dacă aveți îndoieli cu privire la împământarea corespunzătoare a aparatului.
- Acest aparat este prevăzut cu un cablu de alimentare cu conductor de împământare și un ștecăr cu împământare. Ștecărul trebuie să fie conectat la o priză corespunzătoare, instalată și legată la pământ în conformitate cu toate normele și reglementările locale.
- Nu scoateți în niciun caz aparatul din priză trăgând de cablul de alimentare. Țineți întotdeauna ferm ștecărul și trageți-l direct din priză.
- Nu pulverizați apă în interiorul aparatului sau pe acesta pentru a-l curăța.
- Se interzice alimentarea acestui aparat prin intermediul unui dispozitiv de comutare extern (cum ar fi un temporizator) sau conectarea acestuia la un circuit electric care este pornit și oprit la intervale regulate de către furnizorul de utilități.
- Utilizarea uscătorului prezintă un risc de electrocutare, deoarece acesta funcționează cu energie electrică.
- Verificați dacă uscătorul prezintă deteriorări vizibile.
- Nu utilizați uscătorul dacă acesta prezintă deteriorări.
- Înainte de conectarea aparatului la sursa de alimentare cu energie electrică, asigurați-vă că tensiunea de alimentare indicată pe plăcuța indicatoare a caracteristicilor tehnice corespunde tensiunii disponibile în locul de utilizare.

- Utilizați numai întrerupătoare de curent rezidual cu simbolul corespunzător.
- Verificați cablul de alimentare, pentru a vă asigura că acesta nu este îndoit sau blocat și că nu intră în contact cu surse de căldură sau muchii ascuțite.

Siguranța copiilor

- Aparatul nu este destinat utilizării de către persoane (inclusiv copii) care au capacități fizice, senzoriale sau mentale reduse, sau cărora le lipsesc experiența și cunoștințele necesare, decât dacă sunt supravegheate sau au fost instruite cu privire la utilizarea aparatului de către o persoană care răspunde pentru siguranța acestora.
- Copiii trebuie supravegheați, astfel încât aceștia să nu se joace cu aparatul.
- Aparatul poate fi utilizat de către copii cu vârste începând de la 8 ani și de către persoane cu capacități fizice, senzoriale sau mentale reduse, cu lipsă de experiență sau cunoștințe, numai dacă acestea sunt supravegheate sau instruite în ceea ce privește utilizarea în siguranță a aparatului și dacă înțeleg pericolele pe care le implică utilizarea. Copiii nu au voie să se joace cu aparatul. Curățarea și întreținerea nu trebuie efectuate de către copii nesupravegheați.
- Nu lăsați copiii cu vârste sub 3 ani în preajma aparatului, decât dacă aceștia sunt supravegheați neîntrerupt.
- Nu permiteți copiilor și animalelor de companie să intre în tamburul uscătorului.
- Înainte de a închide ușa uscătorului și de a porni programul, asigurați-vă că în tambur nu se află altceva în afară de rufe (de exemplu, în cazul în care un copil s-a urcat în tamburul uscătorului și a închis ușa din interior).
- Nu lăsați deschisă ușa aparatului. Există riscul ca cei mici să se agațe de ușă și să ajungă în interiorul aparatului, provocând deteriorări sau răniri.

Utilizare

- Rufele nu pot fi uscate în aparat în cazul în care au fost utilizate substanțe chimice industriale pentru curățarea acestora.
- Filtrul de scame trebuie curățat frecvent.
- Nu utilizați uscătorul pentru articole care nu au fost spălate.
- Articolele care au fost murdărite cu substanțe cum ar fi ulei de gătit, acetonă, alcool, benzină, gaz lampant, substanțe pentru îndepărtarea petelor, terebentină, ceruri și substanțe pentru îndepărtarea cerurilor trebuie spălate în apă fierbinte cu o cantitate mai mare de detergent înainte de a fi uscate în uscător.
- Articolele cum ar fi cele din cauciuc buretos (spumă din latex), căștile de duș, materialele textile rezistente la apă, articolele și hainele cauciucate sau pernele cu umplutură din cauciuc buretos nu trebuie uscate în uscător.
- Balsamurile sau produsele similare trebuie utilizate conform instrucțiunilor aferente acestora.
- Scoateți din buzunare toate obiectele, cum ar fi brichetele și chibriturile.
- Articolele murdărite cu ulei pot lua foc spontan, în special atunci când sunt expuse la surse de căldură cum ar fi cea din uscătorul de rufe. Articolele se încălzesc, aceasta ducând la oxidarea uleiului. Oxidarea generează căldură. În cazul în care căldura nu este evacuată, articolele se pot încălzi și pot lua foc. Stivuirea sau aglomerarea articolelor murdărite cu ulei împiedică evacuarea căldurii și generează risc de incendiu.
- În cazul în care este inevitabil ca materialele textile care conțin ulei vegetal (sau de gătit) sau au fost murdărite cu produse de îngrijire a părului să fie uscate într-un uscător de rufe, acestea trebuie mai întâi spălate în apă fierbinte, utilizând o cantitate suplimentară de detergent - această operație va reduce riscul, dar nu îl va elimina.
- În cazul apariției unei defecțiuni, utilizați numai piese de schimb aprobate de către producătorii autorizați.
- Dacă tubul de condens este blocat sau înfundat, funcționarea uscătorului cu tambur este întreruptă.

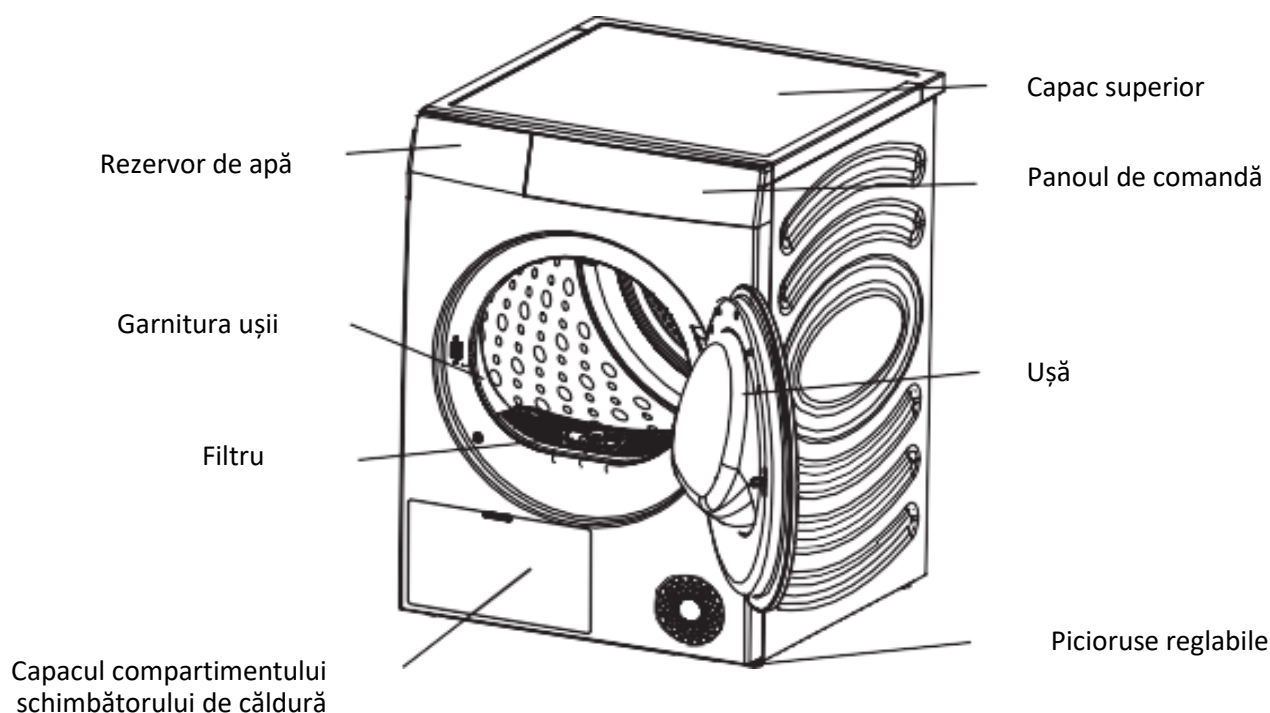
- Înainte de a muta uscătorul sau înainte de a-l depozita într-o încăpere neîncălzită în timpul iernii, rezervorul de condens trebuie golit.
- Curățați filtrele uscătorului după fiecare ciclu de uscare. Dacă ați scos filtrele, puneți-le la loc înainte de următorul ciclu de uscare.
- Nu utilizați solvenți sau agenți de curățare care ar putea deteriora uscătorul.
- Nu adăugați în niciun caz substanțe chimice sau parfumuri în rezervorul de condens.
- După procesul de uscare, deconectați ștecărul uscătorului de la sursa de alimentare cu energie electrică.
- Uscătorul utilizează un sistem cu pompă de căldură pentru a încălzi aerul.
- Sistemul este format dintr-un compresor și un schimbător de căldură. Când uscătorul este pornit, funcționarea compresorului (sunetul lichidului care curge) sau curgerea agentului frigorific poate fi mai zgomotoasă atât timp cât compresorul funcționează. Acesta nu este un semn de funcționare necorespunzătoare și nu va afecta durata de exploatare utilă a uscătorului. În timp și odată cu utilizarea uscătorului, intensitatea acestui zgomot se va reduce.
- Nu beți și nu preparați alimente cu apă de condensare/apă distilată. Aceasta poate cauza probleme de sănătate oamenilor și animalelor de companie.
- Scoateți imediat hainele din produs atunci când uscarea este finalizată sau când alimentarea cu energie electrică este oprită în timpul procesului de uscare. Pentru evitarea pericolului de incendiu, nu lăsați nesupravegheate în aparat hainele care au fost uscate cu ajutorul acestuia. Hainele care nu sunt scoase din aparat după uscare pot provoca incendii. Scoateți hainele imediat după uscare, apoi agățați-le sau întindeți-le pentru ca acestea să se răcească.
- Nu încercați să folosiți aparatul dacă acesta este deteriorat, funcționează defectuos, este parțial dezasamblat sau incomplet, sau în cazul în care componente ale acestuia (cum ar fi cablul de alimentare sau ștecărul) prezintă deteriorări.
- Nu încercați să desprindeți niciun panou al aparatului sau să dezasamblați aparatul. Nu utilizați obiecte ascuțite pentru a acționa butoanele de pe panoul de comandă.
- Nu introduceți niciodată mâna în aparat în timp ce acesta funcționează. Așteptați până când tamburul se oprește.
- În caz de inundare, deconectați ștecărul de la sursa de alimentare și contactați centrul de service post-vânzare.
- Nu apăsați pe ușa aparatului când aceasta este deschisă.
- Nu atingeți ștecărul sau butoanele de comandă ale aparatului cu mâinile umede.
- Nu îndoiți excesiv cablul de alimentare și nu așezați obiecte grele pe acesta.
- Nu lăsați scamele să se acumuleze în uscătorul de rufe.
- Nu lăsați în zona de sub aparat și din jurul acestuia materiale combustibile, cum ar fi fibre, hârtie, cârpe, substanțe chimice etc.
- Deoarece uscătorul este greu, v-ați putea răni dacă încercați să-l ridicați. Nu ridicați uscătorul de rufe fără ajutorul unei alte persoane.
- Există pericolul să vă tăiați la mâini în muchiile ascuțite ale uscătorului. Nu țineți uscătorul de marginile ascuțite ale acestuia.
- Componentele proeminente ale uscătorului se pot rupe atunci când acesta este ridicat sau împins.
- Nu deplasați uscătorul ținându-l de componentele proeminente.
- Verificați uscătorul, pentru a vă asigura că acesta nu a fost deteriorat în timpul transportului. Nu utilizați niciodată un uscător care prezintă deteriorări.
- Orice cantitate de apă rămasă în uscător poate îngheța și deteriora uscătorul.
- Nu instalați uscătorul în încăperi care prezintă risc de îngheț.
- Aparatul conține agent frigorific R290 care, deși este ecologic, este inflamabil. În cazul în care nu este eliminat în mod corespunzător, acesta poate provoca un incendiu sau otrăvire. Eliminați aparatul în mod corespunzător și nu deteriorați conductele circuitului de refrigerare.

AVERTISMENT: Nu opriți uscătorul de rufe înainte de finalizarea ciclului de uscare, decât dacă articolele sunt scoase repede din aparat și întinse pentru disiparea căldurii.

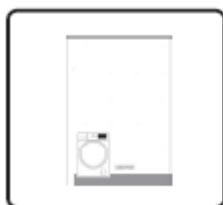
AVERTISMENT: Mențineți orificiile de ventilație libere de orice obstrucție, inclusiv în cazul încorporării aparatului.

- La temperaturi de uscare mai ridicate, geamul ușii se va încălzi. Acționați cu prudență, pentru a evita arsurile. Nu le permiteți copiilor să se joace în apropierea geamului ușii.
- Partea posterioară a uscătorului poate deveni foarte fierbinte în timpul funcționării. Așteptați ca uscătorul să se răcească înainte de a atinge partea posterioară a acestuia.
- Dacă deschideți ușa uscătorului în timpul procesului de uscare, este posibil ca hainele să fie foarte fierbinți și să vă producă arsuri.

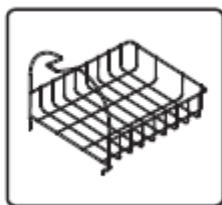
4. DESCRIEREA PRODUSULUI



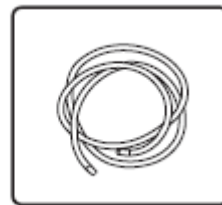
Accesorii



Manual de
utilizare



Suport
incaltaminte



Furtun de
scurgere

5. INSTALARE

- Pentru garantarea siguranței utilizării, uscătorul de rufe trebuie să fie instalat corespunzător de către specialiști calificați.
- Utilizatorul va fi responsabil pentru lucrările de reparații cauzate de o instalare necorespunzătoare.

Măsurile de precauție înainte de instalare

Mediul de instalare

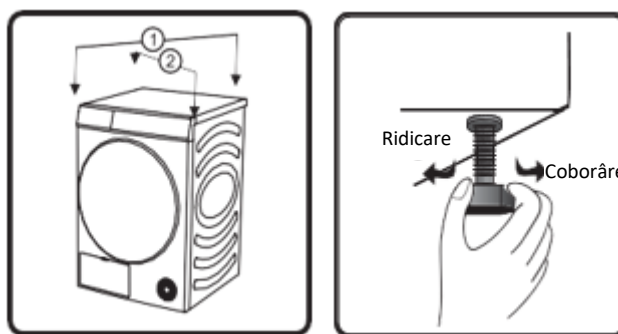
- Se recomandă ca aparatul să fie instalat într-un spațiu care să respecte caracteristicile de mai jos: 25 mm în partea superioară, 20 mm în părțile laterale din stânga și dreapta și 50 mm în partea posterioară.

Cerințe privind instalarea

- Vă rugăm să instalați uscătorul într-un loc uscat și bine ventilat, pe o podea dreaptă și solidă. Nu puneți aparatul pe covor, pe cartoane sau sub acțiunea directă a luminii solare.
- Temperatura mediului de funcționare al uscătorului este cuprinsă în intervalul 5 °C - 35 °C. Nu amplasați aparatul în spații cu temperaturi sub 0 °C sau cu temperaturi ridicate. Aparatul funcționează cel mai bine la o temperatură ambiantă de 23 °C.
- În timpul manipulării aparatului, unghiul de înclinare nu trebuie să depășească 45°; după manipulare, lăsați aparatul scos din priză cel puțin 2 ore.
- Uscătorul nu trebuie să fie amplasat lângă cuptoare, aragaze și alte echipamente care emit căldură, nici lângă echipamente de refrigerare. Partea din spate a uscătorului trebuie să fie bine aerisită.
- Se recomandă ca uscătorul de rufe să fie amplasat în apropierea mașinii de spălat, pentru a facilita uscarea hainelor după stoarcerea acestora în mașina de spălat.
- Instalați aparatul pe o podea tare și dreaptă. Înclinația maximă permisă a podelei de sub aparat este de 1 grad.

Picior reglabil

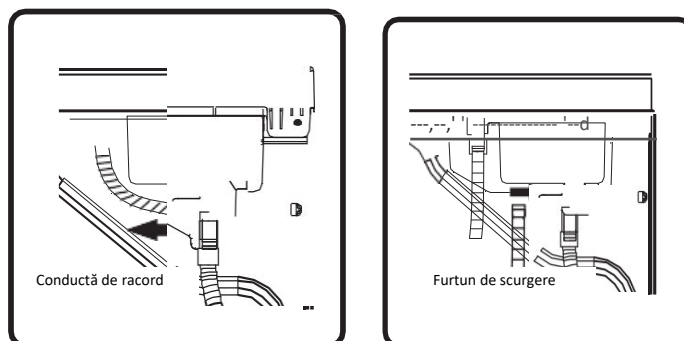
- Apăsați pe colțurile superioare ale uscătorului, pentru a vă asigura că acesta este stabil.
- Dacă uscătorul se clatină, rotiți cele patru picioare reglabile din partea inferioară, pentru a le regla la înălțimea corespunzătoare și pentru a vă asigura că uscătorul este într-o poziție stabilă.
- Nu încercați să corectați denivelările podelei prin amplasarea sub aparat a unor bucăți de lemn, carton sau materiale similare.



Instalarea furtunului de scurgere

- De obicei, apa de condensare apărută în urma uscării rufelor este depozitată în rezervorul de apă, iar acesta trebuie golit după fiecare program. Dacă locul de instalare a uscătorului este aproape de canalizare sau dacă uscătorul de rufe este așezat peste mașina de spălat, poate fi instalat un furtun de scurgere, pentru a evacua apa direct în canalizare.

- Scoateți conducta de racord din partea posterioară a rezervorului de apă și instalați furtunul de scurgere așa cum este indicat în figura de mai jos. Vă rugăm să vă asigurați că racordul este montat corespunzător.
- Vă rugăm să introduceți celălalt capăt al furtunului de scurgere în scurgerea din podea, fără a răsuci sau

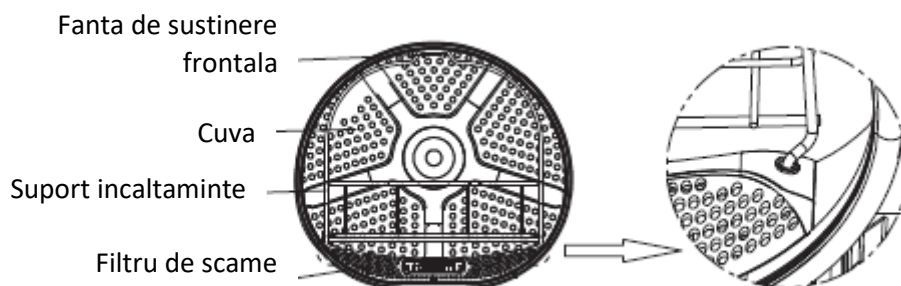


aplatiza conducta. În cazul în care furtunul este prea lung, vă rugăm să tăiați partea în exces.

- Furtunul de scurgere nu trebuie să fie mai sus decât uscătorul, deoarece, în acest caz, apa nu poate fi evacuată.
- Nu puneți capătul furtunului de scurgere în apa acumulată, deoarece aceasta poate cauza refulare.
- După ce furtunul de scurgere este montat corespunzător, apa de condensare poate fi evacuată direct, fără a fi necesară golirea rezervorului de apă după fiecare utilizare.

Suportul de uscare

- Atunci când doriți să uscați pantofi, jucării de pluș etc., puteți utiliza suportul de uscare.
- Când uscați haine, vă rugăm să scoateți suportul de uscare.
- Instalarea suportului de uscare: Vă rugăm să înclinați suportul de uscare la un anumit unghi, cu capătul inferior prins în cele două orificii ale filtrului și capătul superior agățat în fanta suportului frontal.



Conectarea la sursa de alimentare

- Asigurați-vă că alimentarea cu energie electrică este în concordanță cu cerințele privind alimentarea cu energie a uscătorului.
- Uscătorul trebuie să fie legat la pământ în mod corespunzător și în condiții de siguranță.
- Nu utilizați o priză multiplă sau o priză multifuncțională pentru conectare secundară.

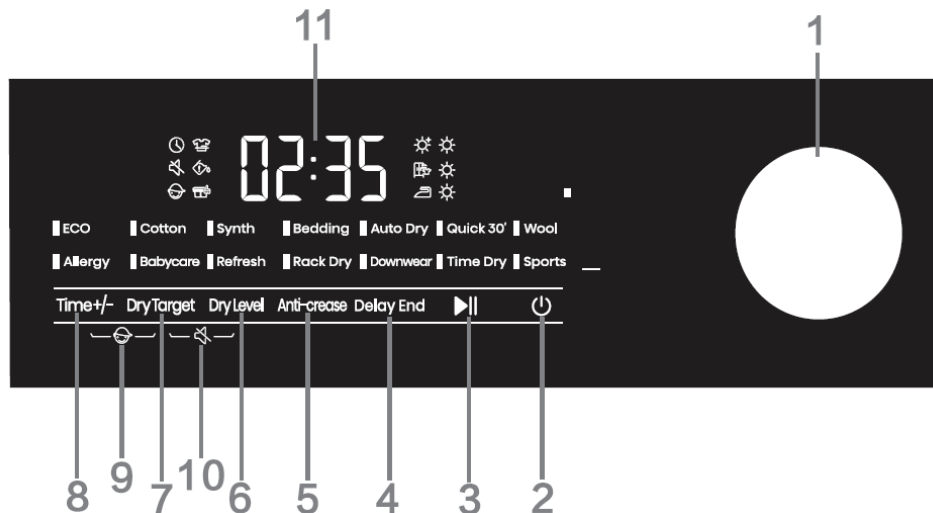
OBSERVAȚIE: Deconectați aparatul de la sursa de alimentare după fiecare utilizare.

Suprapunerea aparatului

- Uscătorul poate fi instalat pe o mașină se spălat, cu ajutorul unei plăci laterale de 486 mm.
- În cazul suprapunerii, aparatul trebuie fixat cu ajutorul accesoriilor prevăzute în acest scop. Vă rugăm să contactați serviciul de asistență tehnică în vederea efectuării instalării.
- Pentru evitarea accidentelor, instalarea uscătorului pe mașină de spălat rufe nu trebuie să fie realizată în lipsa accesoriilor prevăzute în acest scop.

- Din motive de siguranță, este necesar ca instalarea să fie efectuată de către două sau mai multe persoane împreună. Greutatea aparatului și înălțimea de lucru fac ca procedura de instalare să fie prea riscantă pentru a fi efectuată de către o singură persoană.
- Suprafața pe care este așezat aparatul trebuie să fie curată și dreaptă.
- Cele două aparate suprapuse trebuie să fie amplasate la o distanță de 50-200 mm față de perete.

6. UTILIZAREA PRODUSULUI



1. Buton rotativ

Acest buton este utilizat pentru selectarea programelor

2. Alimentare

Apăsați pe acest buton pentru a porni/opri uscătorul.

3. Start/Pause (Start/Pauză)

Apăsați pe butonul „Start/Pauză” pentru a întrerupe sau porni programul.

4. Delay End (Întârzierea finalizării programului)

Această funcție poate amâna momentul finalizării programului.

Faceți o programare după selectarea programelor și a funcțiilor. Apăsați pe butonul „Delay End” pentru a crește sau a reduce durata întârzierii finalizării programului. Modificarea duratei se face cu câte 1 oră la fiecare apăsare, iar durata maximă opțională este de 24 de ore.

Durata întârzierii este durata până la finalizarea programului, inclusiv durata de derulare a întregului program. Astfel, durata întârzierii finalizării programului trebuie să fie mai mare decât durata de derulare a programului.

Pe durata întârzierii finalizării programului, pictograma aferentă acestei funcții este aprinsă. La finalul duratei de întârziere a finalizării programului, pictograma aferentă acestei funcții se stinge.

Înainte de începerea programului, întârzierea finalizării programului poate fi anulată prin selectarea altor programe sau apăsarea altor butoane pentru selectarea de funcții.

După pornirea unui program, în cazul anulării funcției de întârziere a finalizării programului, opriți și reporniți uscătorul.

5. Anti crease (Antișifonare)

În cazul în care hainele nu pot fi scoase la timp după uscare, selectați funcția anti-crease (antișifonare). În cadrul acestei funcții, tamburul se rotește cu intermitențe pentru a diminua șifonarea hainelor.

Atingeți orice buton sau deschideți ușa pentru a dezactiva funcția anti-crease (antișifonare). Dacă nu este acționat niciun buton, programul se încheie automat după 12 ore, în mod implicit.


Aprinderea acestei pictograme indică faptul că funcția antișifonare este activată.

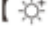
Această funcție poate fi selectată până la sfârșitul procesului de uscare.


6. Dry level (Gradul de uscare)


Gradul de uscare este împărțit pe 3 niveluri, indicate pe afișaj cu 1 până la 3 pictograme în formă de soare, permițând uscarea hainelor în funcție de volumul acestora și de materialul din care sunt confecționate.

7. Dry target (Efectul uscării)

Acest buton este utilizat pentru selectarea efectului uscării. Opțiunea implicită este . Apăsăți pe buton și selectați nivelul de uscare.

 - înseamnă că hainele pot fi depozitate după uscare.

 - înseamnă că hainele pot fi purtate imediat după uscare.

 - înseamnă că hainele conțin o cantitate mică de apă și pot fi călcate.

8. Time (Durata)

Înainte de începerea programului, această funcție poate crește sau reduce durata de uscare pentru programul respectiv. Apăsăți și mențineți apăsat butonul pentru a comuta între pozițiile disponibile. Pozițiile disponibile diferă de la un program la altul.

9. Blocarea împotriva acționării de către copii

Pentru a evita acționarea greșită de către copii și pentru a-i proteja, acest uscător este echipat cu un sistem de blocare împotriva acționării de către copii.

După pornirea unui program, apăsați și mențineți apăstate simultan butoanele „Time+/-” și „Dry target”. Funcția de blocare împotriva acționării de către copii va fi activată, iar pictograma aferentă acestei funcții se va aprinde. Funcția de blocare împotriva acționării de către copii poate fi dezactivată urmând aceeași procedură.

După activarea funcției de blocare împotriva acționării de către copii, butoanele sunt blocate. În cazul încheierii programului sau al repornirii după oprirea alimentării, funcția de blocare împotriva acționării de către copii rămâne activă.

După activarea funcției de blocare împotriva acționării de către copii: apăsați pe butonul „Start/Pauză” pentru a anula avertizarea în cazul în care apare mesajul referitor la îndepărtarea scamelor și a resturilor. În timpul funcționării programului anti-crease (antișifonare), dezactivarea funcției de blocare împotriva acționării de către copii trebuie efectuată manual, iar programul anti-crease (antișifonare) se încheie automat.

10. Mute (Dezactivare semnale sonore)

Acest buton se utilizează pentru a activa/dezactiva semnalele sonore, cu excepția tonului de avertizare.

După pornire sau când aparatul este în standby, apăsați și mențineți apăstate butoanele „Dry Target” și „Dry Level” pentru a activa/dezactiva semnalele sonore.

11. Afișaj

Acesta este utilizat pentru afișarea duratei rămase, a duratei de programare, a codurilor de eroare și a altor informații despre programe.

Durata afișată de program poate fi diferită de durata reală de funcționare. Durata reală de uscare este ajustată automat, în funcție de factori cum ar fi tipul de haine, încărcătura, conținutul de apă după stoarcere și temperatura mediului ambiant.

La finalizarea programului, se va afișa mesajul „End”.

Lampa cuvei

Acest uscător este prevăzut cu o lampă pentru cuvă. Când aparatul este în standby sau în funcțiune (roțiți butonul, apăsați pe orice buton sau deschideți ușa), când un program este întrerupt sau la încheierea unui program, lampa cuvei se aprinde automat și luminează timp de 1 minut, astfel încât să puteți vedea în interiorul cuvei, apoi se stinge automat.

Oprire când hainele sunt uscate

Acest uscător se oprește atunci când hainele sunt uscate. Atunci când încărcătura de haine este mică, este posibil ca programul să nu se fi încheiat, dar hainele să fie uscate. În acest moment, programul se va încheia automat pentru a economisi energie.

Sfaturi pentru uscarea hainelor

- Hainele trebuie să fie bine stoarse înainte de a fi puse în uscător. Pentru a economisi energie, vă rugăm să creșteți turația de centrifugare a mașinii de spălat la peste 1000 rpm.
- Vă rugăm să scuturați hainele înainte de a le pune în uscător.
- Pentru a obține efectul optim de uscare, vă rugăm să sortați hainele și să selectați programul de uscare adecvat. Fiecare program corespunde unor cerințe de încărcare maximă. Nu supraîncărcați aparatul.
- După uscarea hainelor, curățați la timp filtrul de scame și resturi.
- Atunci când uscați o cantitate mică de haine, se recomandă utilizarea unui program care să permită setarea manuală a duratei de uscare.
- Nu uscați hainele apretate, deoarece întărirea apretului va reduce efectul de uscare.
- Hainele care se decolorează ușor trebuie uscate separat.
- O încărcătură mixtă de țesături poate determina prelungirea duratei de uscare și întreruperea afișării duratei rămase. Durata rămasă va continua să fie afișată atunci când informațiile vor reflecta durata reală rămasă.

Pregătirea înainte de uscarea hainelor

- Înainte de uscare, vă rugăm să verificați etichetele articolelor de îmbrăcăminte, pentru a vă asigura că acestea sunt potrivite pentru uscare.
- Goliți-vă buzunarele și scoateți din acestea monedele, acele, cheile și alte obiecte, pentru a evita deteriorarea hainelor.
- Închideți fermoarele, încheiați nasturii și strângeți curelele. Pentru a evita zgomotul produs de fermoare și nasturi în timpul uscării, vă rugăm să întoarceți hainele pe dos înainte de a le pune în uscător.
- Asigurați-vă rezervorul de apă a fost golit și că filtrul de scame și reziduuri a fost curățat și montat corespunzător.

Tabel de programe

Programe	Descriere	Capacitate maximă
Cotton (Bumbac)	Utilizați acest program pentru rufe din bumbac mai groase și mai puțin sensibile, cu aproximativ aceeași grosime. După finalizarea programului, acestea vor fi uscate.	9 kg
Synthetics (Sintetice)	Programul este utilizat pentru uscarea rufelor delicate din fibre sintetice.	4.5 kg
Eco	Utilizați acest program pentru uscarea hainelor obișnuite din bumbac	9 kg
Bedding (Lenjerie de pat)	Utilizați acest program pentru articole mai mari. După finalizarea programului, articolele vor fi uscate. Adaptarea rotației tamburului previne încurcarea rufelor.	2.5 kg
Downwear (Articole cu puf)	Utilizați acest program pentru a usca textilele umplute sau căptușite cu puf (perne, plăpumi, jachete etc.). Uscați separat obiectele mari și utilizați funcția Extra Dry (Uscare suplimentară) sau programul de uscare cu setarea manuală a duratei, dacă este necesar.	2 kg
Sportwear (Îmbrăcăminte sport)	Utilizați acest program pentru îmbrăcăminte cu membrană, pentru îmbrăcăminte sport din materiale mixte și țesături care permit circulația aerului.	2 kg
Auto Dry (Uscare automată)	Utilizați acest program pentru rufe din bumbac mai groase și mai puțin sensibile, cu aproximativ aceeași grosime. După finalizarea programului, acestea vor fi uscate sau ușor umede.	4,5 kg
Baby care (Articole pentru bebeluși)	Utilizați acest program pentru a usca articole de îmbrăcăminte pentru bebeluși. După finalizarea programului, aceste articole vor fi uscate.	2 kg
Allergy care (Antialergic)	Pentru îndepărtarea alergenilor, cum ar fi acarienii.	2 kg
Quick 30 (Program scurt 30')	Pentru uscarea rapidă a hainelor ușoare și subțiri.	0.5 kg
Refresh (Reîmprospătare)	În cadrul acestui program, pompa de căldură nu funcționează. Programul este potrivit pentru reîmprospătarea rufelor.	/
Wool (Lână)	Acest program scurt este destinat uscării articolelor din lână și mătase conform instrucțiunilor producătorilor acestora.	1 kg
Rack dry (Uscare pe suport)	Când utilizați acest program, puteți așeza articolele care urmează să fie uscate (de exemplu, animale mici de pluș, adidași etc.) pe suportul de uscare.	/
Time dry (Uscare cu setarea manuală a duratei)	Utilizați acest program pentru rufele mai puțin sensibile care sunt încă ușor umede și care trebuie să fie uscate bine. În cadrul programului care permite setarea manuală a duratei, umiditatea rămasă nu este detectată automat. Dacă rufele sunt încă umede după finalizarea programului, repetați programul; dacă sunt prea uscate și, prin urmare, sunt șifonate și aspre, durata de uscare selectată a fost prea mare.	/

OBSERVAȚIE

- Durata de uscare a hainelor va fi ajustată automat în funcție de următorii factori:
- tipul de haine, încărcătura, conținutul de apă după stoarcere și temperatura ambiantă.
- Vă rugăm să verificați etichetele hainelor, pentru a vă asigura că acestea pot fi uscate, pentru a evita deteriorarea acestora.
- Uscarea în același timp a hainelor cu texturi și grosimi diferite va duce la rezultate diferite ale procesului de uscare
- Utilizatorii pot alege programul potrivit în funcție de preferințe. Dacă hainele nu sunt complet uscate, se poate selecta un program suplimentar de uscare, care să permită setarea manuală a duratei de uscare.

- În cazul uscării țesăturilor de dimensiuni mari, cum ar fi lenjeriile de pat și cuverturile, din cauza încărcăturii mari, acestea se pot aglomera, afectând rezultatul procesului de uscare. Vă rugăm să le scoateți și să le scuturați înainte de a le pune în uscător pentru a continua uscarea.
- Vă rugăm să întoarceți pe dos hainele cu puf înainte de uscare.

7. CURĂȚARE ȘI ÎNTREȚINERE

Întreținerea regulată poate prelungi durata de exploatare a uscătorului. Asigurați-vă că întrerupeți alimentarea cu energie electrică înainte de efectuarea operațiilor de întreținere.

Exteriorul uscătorului

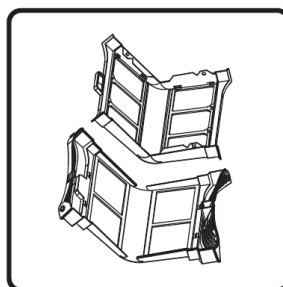
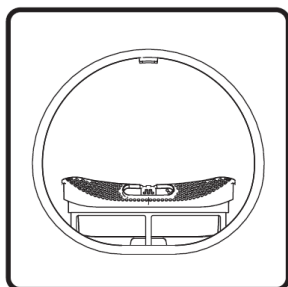
- Curățați suprafața carcasei cu o lavetă moale și umedă, utilizând detergent de uz casnic necoroziv.
- Apoi ștergeți-o cu o cârpă moale și uscată.

Garnitura ușii

- Verificați periodic garnitura ușii și, dacă este necesar, curățați-o cu o lavetă umedă.
- După utilizare, lăsați ușa întredeschisă, pentru aerisire și uscare.

Curățați filtrul pentru scame și resturi

- Scamele acumulate excesiv pe filtru afectează rezultatul procesului de uscare. Vă rugăm să curățați filtrul după fiecare utilizare.
- După curățare, asigurați-vă că ați reînscălat filtrul la locul său înainte de utilizarea aparatului.



1. Deschideți ușa și scoateți filtrul de pe suportul frontal.
2. Deschideți filtrul și îndepărtați scamele de pe filtrul cu două straturi cu un prosop umed sau cu sub jet de apă.




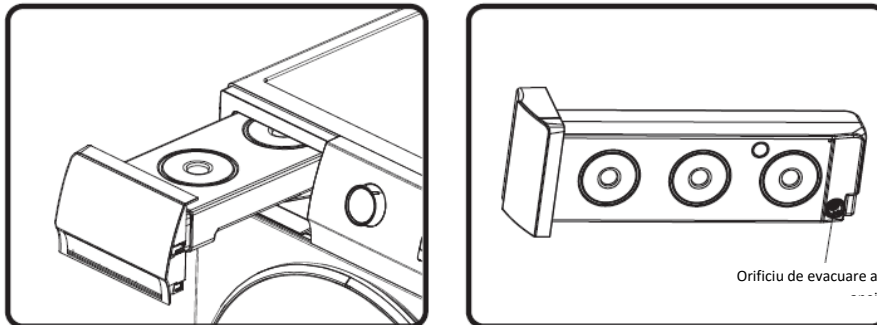
3. După ce filtrul se usucă, montați-l la loc.
4. Instalați filtrul pe suportul frontal.

Observații:

- Partea inferioară a suportului frontal este prevăzută cu un senzor de temperatură. După ce scoateți filtrul de scame, aveți grijă să nu atingeți senzorul, pentru a evita zgârierea acestuia.
- Când montați la loc filtrul, instalați-l în direcția corectă și în poziția corespunzătoare.
- Nu utilizați acest uscător dacă filtrul nu este instalat corespunzător.

Curățarea rezervorului de apă

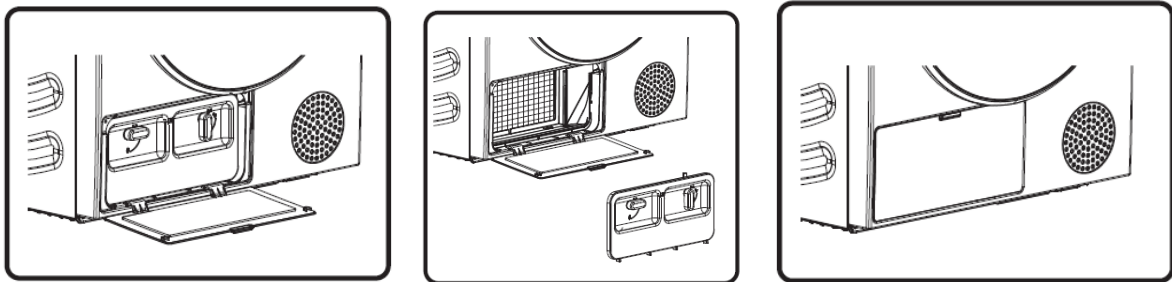
- În cazul în care conducta de scurgere nu este instalată, apa de condensare rezultată în urma uscării se acumulează în rezervorul de apă. Vă rugăm să o eliminați la timp, după finalizarea programului.
- În timpul funcționării, în cazul în care rezervorul de apă se umple, pictograma  clipește pe afișaj. Vă rugăm să goliți imediat rezervorul de apă.
- Apa de condensare nu este potabilă.



- Scoateți rezervorul de apă în poziție orizontală, pentru a evita vărsarea apei de condensare.
- Aruncați apa de condensare și instalați la loc rezervorul de apă.

Curățarea schimbătorului de căldură

Vă rugăm să curățați periodic schimbătorul de căldură. În caz contrar, performanța uscătorului va fi afectată.



1. Apăsați pe clema capacului compartimentului schimbătorului de căldură pentru a deschide capacul.

2. Rotiți butonul de blocare a capacului filtrului de la bază în poziția de deblocare.

După o perioadă de utilizare, dacă se acumulează praf pe schimbătorul de căldură, vă rugăm să îl îndepărtați. Nu atingeți schimbătorul de căldură direct cu mâinile, pentru a evita rănirea.

3. Montați înapoi în pozițiile inițiale filtrul și capacul filtrului curățate, blocați butonul și închideți capacul compartimentului schimbătorului de căldură.

8. DEPANARE

Atunci când aparatul nu funcționează normal, este posibil să nu fie vorba despre o defecțiune. Vă rugăm să consultați următoarele metode de depanare. Dacă defectul persistă și după aplicarea metodelor de depanare recomandate, vă rugăm să deconectați ștecărul de la sursa de alimentare și să ne contactați în vederea acordării de asistență post-vânzare.

Problemă	Metoda recomandată
Uscătorul nu poate fi pornit	<ul style="list-style-type: none"> *Verificați conexiunea de alimentare. *Asigurați-vă că ați apăsător pe butonul „Start/Pauză”. *Asigurați-vă că ușa este închisă corect. *Siguranța electrică din locuință s-a ars, s-a declanșat întrerupătorul de circuit sau a avut loc o pană de curent.
Uscătorul nu poate fi pornit și afișajul indică „End”	<ul style="list-style-type: none"> *Asigurați-vă că setarea programului este corectă. *Asigurați-vă că sunt haine în cuvă.
Durată de uscare excesivă	<ul style="list-style-type: none"> *Asigurați-vă că setarea programului este corectă. *Asigurați-vă că hainele din interiorul cuvei nu sunt aglomerate. Asigurați-vă că filtrul este curățat. *În cadrul anumitor programe, aparatul realizează o alimentare cu aer pentru răcire după uscare.
Rezultat nesatisfăcător al procesului de uscare	<ul style="list-style-type: none"> *Asigurați-vă că hainele au fost stoarse. *Asigurați-vă că setarea programului este corectă. Asigurați-vă că nu sunt prea multe haine. *Articolele nu au fost sortate corespunzător. Haine care nu se usucă ușor sunt amestecate cu haine care se usucă ușor. *Încărcătură mare de țesături grele. Asigurați-vă că filtrul este curățat.
Timpul rămas până la finalizarea programului se oprește sau se modifică necorespunzător	<ul style="list-style-type: none"> *Timpul rămas variază în funcție de tipul articolelor de îmbrăcăminte, de încărcătură, conținutul de apă după stoarcere și temperatura ambiantă, ceea ce constituie un fenomen normal.
Hainele sunt șifonate	<ul style="list-style-type: none"> *Hainele au fost uscate prea mult timp. Încercați o durată de uscare mai redusă. *Hainele au fost lăsate în aparat prea mult timp după finalizarea programului.
Uscătorul este prea zgomotos	<ul style="list-style-type: none"> *Verificați dacă sunt prezente în cuvă monede, nasturi desprinși, cuie și alte obiecte și îndepărtați-le imediat. *Verificați filtrul de scame. Îndepărtați orice obiecte blocate în interiorul filtrului de scame. *Asigură-te că uscătorul este echilibrat și că are stabilitate pe podea. *Uscătorul poate bâzâi din cauza aerului care circulă prin tambur și a ventilatorului. Acest lucru este normal.
Hainele se micșorează.	<ul style="list-style-type: none"> *Nu sunt respectate instrucțiunile de îngrijire a hainelor. Utilizați o setare cu temperatură scăzută sau care nu folosește căldură pentru uscare.
Scamele rămân pe haine.	<ul style="list-style-type: none"> *Filtrul de scame nu a fost curățat corespunzător. *Hainele nu au fost sortate corespunzător. *Unele țesături lasă mai multe scame și ar trebui să fie uscate separat de țesăturile de care scamele se prind ușor. *Au fost lăsate în buzunare șervețele, hârtii etc.

Problemă	Metoda recomandată
Aparatul emană un miros neplăcut.	<p>*Mirosul este cauzat de cauciucul conținut de componentele din interiorul aparatului. Acest tip de miros este un miros specific cauciucului și dispare de la sine după ce utilizați aparatul de mai multe ori.</p> <p>*Când spălați hainele, utilizați detergentul în conformitate cu recomandările producătorului. Dacă folosiți detergent în exces, fără a respecta recomandările, detergentul nedizolvat se poate acumula pe haine și poate determina apariția unui miros.</p> <p>*Puteți simți mirosuri de la haine dacă acestea au fost lăsate în aparat după uscare sau în mașina de spălat după spălare. Scoateți imediat hainele la sfârșitul ciclului de uscare sau de spălare.</p> <p>*Asigurați-vă că puteți simți același miros în mașina de spălat. În acest caz, curățați cuva mașinii de spălat, conform manualului de utilizare a mașinii de spălat.</p> <p>*Întotdeauna aveți grijă ca ambele filtre de scame să fie curate. În cazul în care în filtrul de scame au rămas reziduuri după uscare, acestea pot determina apariția mirosurilor. De asemenea, este necesar să lăsați filtrul de scame să se usuce bine după curățare.</p>
Aparatul este alimentat și pornit direct după întreruperea furnizării de energie electrică, dar nu funcționează.	<p>*Atunci când programul este întrerupt, funcțiile setate nu pot fi modificate. Dacă un program sau o funcție necesită modificări în timpul funcționării sau dacă alimentarea este oprită în timpul funcționării și aparatul trebuie să fie pornit din nou, rotiți butonul la poziția „Off”, apoi rotiți din nou butonul pentru a selecta programul și funcția necesare și, în final, porniți programul.</p>

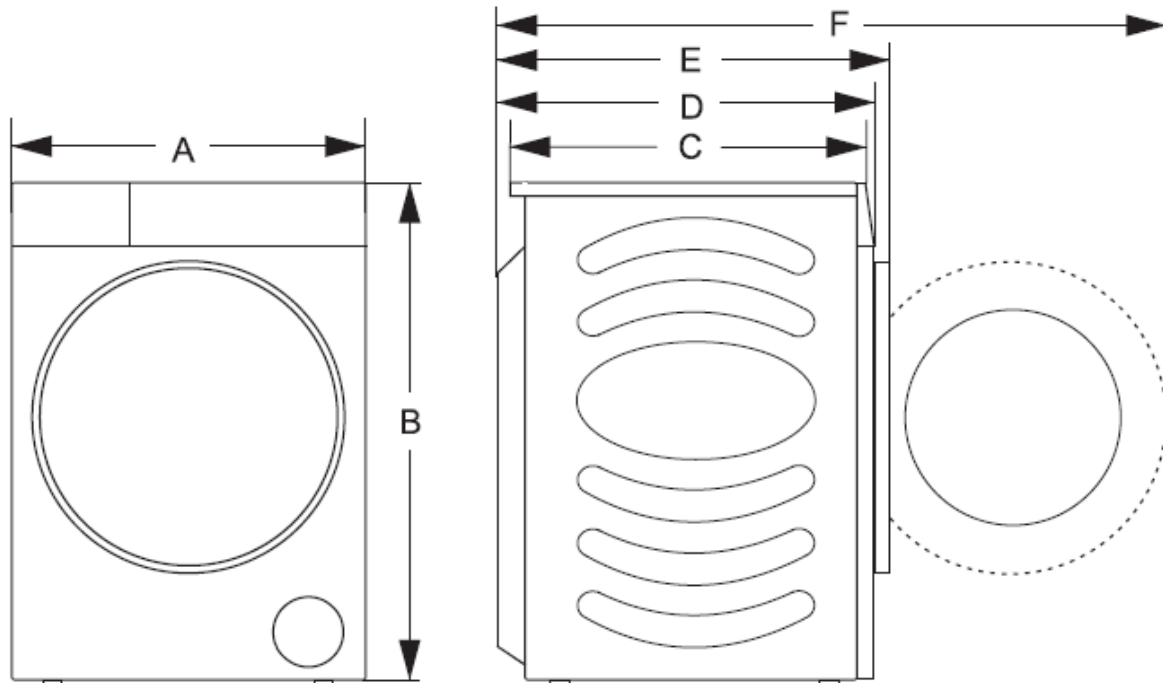
Coduri de eroare

Cod	Problemă	Metoda recomandată
F50/F51	Defecțiune senzor	*Vă rugăm să contactați un service autorizat.
F22	Defecțiune motor și placă de alimentare	<p>*Așasati butonul Power pentru 3 secunde și apoi apăsați start/pauza din nou.</p> <p>*În cazul în care problema persistă, vă rugăm să contactați un service autorizat.</p>
F21	Defecțiune panou de afișare și placă de alimentare	<p>*Rotiți butonul la poziția „OFF” pentru a opri uscătorul și porniți-l din nou după 10 secunde.</p> <p>*În cazul în care problema persistă, vă rugăm să contactați un service autorizat.</p>

Date tehnice

Produs	HHPD-HMK90IVFC+++
Culoare	220-240V – 50Hz
Capacitate nominală	9 kg
Putere nominală	550 W
Dimensiunile produsului (l x A x Î)	595 x 685 x 845
Greutate netă	53 kg
Agentul frigorific	R290
Încărcare	125 g

Dimensiuni	A	595 mm
	B	845 mm
	C	590 mm
	D	640 mm
	E	685 mm
	F	1170 mm



Instrucțiuni privind programele

Tabelul indică valorile consumului de energie și duratele necesare pentru uscarea unui lot de rufe de probă cu diferite cantități și după centrifugarea în mașina de spălat.

Următoarele cerințe se aplică valorilor de consum specificate mai jos.

Program	Capacitate	Viteza rotație (rpm)	Consum (kWh/ciclu)	Durata program (h:m)	Grad umiditate ramas (%)
Eco	9	/	1.72	03:28	1.5
Synthetics	4.5	1000	0.60	01:30	0.5
Cotton	9	1000	1.86	04:05	0.5
Wool	1	/	0.16	00:30	1.0

1. Valorile indicate pentru alte programe decât programul Eco sunt doar orientative.
2. Rezultatele programului „Wool” (Lână) sunt calculate în funcție de o încărcătura de articole din lână cu o umiditate inițială de 5%.
3. Programul Eco este adecvat pentru uscarea rufelor umede din bumbac, acest program fiind utilizat pentru a evalua conformitatea cu legislația UE privind proiectarea ecologică.
4. Programul Eco este cel mai eficient program în ceea ce privește consumul de energie pentru uscarea rufelor umede din bumbac.
5. Încărcarea uscătorului de rufe de uz casnic până la capacitatea maximă indicată de producător pentru programele respective va contribui la economisirea energiei.

6. La încărcarea completă în cazul programului Eco, emisiile de zgomot transmisibil prin aer ale ciclului de uscare sunt: 64dB.
7. Informațiile despre produs și codul QR sunt evidențiate în eticheta privind consumul de energie. Informațiile privind înregistrarea produsului pot fi obținute prin scanarea codului QR.
8. Consumul de energie în modul oprit este de 0,5 W. Timp de comutare automată în modul oprit : 10 min.

Având în vedere diferențele în ceea ce privește tipul și cantitatea de rufe, centrifugarea, oscilațiile sursei de alimentare, precum și temperatura și umiditatea mediului, valorile măsurate la utilizator pot fi diferite de cele indicate în tabel.

Informațiile tehnice se află pe plăcuța cu date tehnice a aparatului și pe eticheta energetică.

Codul QR de pe eticheta energetică furnizată împreună cu aparatul oferă un link web către informațiile din baza de date EPREL cu privire la performanțele aparatului.

Păstrați eticheta energetică pentru consultări ulterioare, împreună cu manualul de utilizare și cu toate celelalte documente furnizate împreună cu acest aparat.

De asemenea, puteți găsi aceleași informații în baza de date EPREL, folosind link-ul <https://eprel.ec.europa.eu> și denumirea modelului și numărul de serie al produsului, pe care le găsiți pe plăcuța cu date tehnice a aparatului.

Pentru a accesa informațiile despre produsul Dvs în portalul EPREL, puteți scana codurile de mai jos:



Vă mulțumim pentru achiziționarea acestui produs! Dacă aveți nevoie de asistență în ceea ce privește produsul dumneavoastră, vizitați site-ul nostru web utilizând linkurile de mai jos.

Obțineți manuale de utilizare: <https://www.heinner.ro>

Obțineți informații privind reparațiile: <https://www.heinner.ro>



Eliminarea deșeurilor în mod responsabil față de mediu

Vă informăm ca persoanele fizice au următoarele obligații prin legislația specifică privind protecția mediului și regimul deșeurilor:

- Deșeurile de echipamente electrice și electronice (DEEE), pot conține substanțe periculoase pentru mediu și sănătatea umană. Conform OUG 5/2015, există obligativitatea predării acestora, pentru tratarea corespunzătoare și valorificarea componentelor reciclabile. Societatea Network One Distribution S.R.L. este platitoare de taxă de "timbru verde" pentru fiecare Echipament Electric și Electronic (EEE) pe care îl pune pe piață. Acest cost asigură tratarea ulterioară a echipamentelor uzate colectate. Din acest motiv, odată ce devine deșeu, produsul EEE poate fi predat gratuit operatorului Dvs. de salubritate, la magazine atunci când achiziționați alt echipament similar, sistemul "unul la unul" sau la punctul de colectare organizat de Primăria Sectorului / localității Dvs.
- Simbolul (marcajul) aplicat produselor, care indică faptul că deșeurile DEEE, bateriile și acumulatorii - fac obiectul unei colectări separate, îl reprezintă o pubea barată cu o cruce.

**Aceste masuri vor ajuta la protejarea mediului**

Societatea Network One Distribution S.R.L. este inregistrata in Registrul de punere pe piata a echipamentelor electrice si electronice, avand numarul de inregistrare: RO-2016-03-EEE-0201-IV. De asemenea, au fost intocmite si sunt gestionate: Registrul de Retragere EEE si Registrul de Rechemare EEE, in conformitate cu HG 322/2013. Totodata societatea este inregistrata in Registrul de punere pe piata a bateriilor, avand numarul de inregistrare: RO-2011-03-B&A-0283.

Conformitatea cu directiva RoHS: Produsul pe care l-ați cumpărat este conform cu Directiva RoHS UE (2011/65/UE). Nu conține materialele dăunătoare și interzise specificate în Directivă.

Va multumim ca participati alaturi de noi la protejarea mediului si a sanatatii umane!



HEINNER este marcă înregistrată a companiei **Network One Distribution SRL**. Celelalte branduri și denumirile produselor sunt mărci de comerț sau mărci de comerț înregistrate ale respectivilor deținători.

Nicio parte a specificațiilor nu poate fi reprodusă sub nicio formă și prin niciun mijloc, nici utilizată pentru obținerea unor derivate precum traduceri, transformări sau adaptări, fără consimțământul prealabil al companiei NETWORK ONE DISTRIBUTION.

Copyright © 2013 Network One Distribution. Toate drepturile rezervate.

www.heinner.com, <http://www.nod.ro>



Acest produs este proiectat și realizat în conformitate cu standardele și normele Comunității Europene.



Importator: **Network One Distribution**

Str. Marcel Iancu, nr. 3-5, București, România

Tel: +40 21 211 18 56, www.heinner.com, www.nod.ro

СУШИЛНЯ ЗА ДРЕХИ С ТЕРМОПОМПА

Модел:

ННPD-НМК90IVFC+++



- Сушилня за дрехи с термопомпа
 - 9 кг, С

HEINNER

1. ВЪВЕДЕНИЕ

Моля прочетете внимателно инструкциите и запазете наръчника за бъдещи справки.

Този наръчник има за цел да Ви предостави всички необходими инструкции по отношение на инсталирането, използването и поддържането на уреда. Преди инсталиране и използване на уреда, с цел правилна и безопасна употреба на уреда, моля прочетете внимателно този наръчник с инструкции.

2. СЪДЪРЖАНИЕ НА ВАШИЯ ПАКЕТ

- ➔ Сушилня за дрехи
- ➔ Наръчник за употреба
- ➔ Сертификат за гаранция

3. ПРЕДУПРЕЖДЕНИЯ И ПРЕДПАЗНИ МЕРКИ

Обща информация

- Прочетете внимателно инструкциите, преди да използвате сушилнята.
- Моля, не използвайте сушилнята, без първо да сте прочели и разбрали тези инструкции за употреба.
- Тези инструкции за употреба на сушилня се доставят заедно с различни типове или модели сушилни. Следователно може да включват описания на настройки или функции, които не са достъпни за Вашата сушилня.
- Неспазването на инструкциите за употреба или несъответстващата употреба на сушилнята може да доведе до увреждане на прането, до повреда на уреда или до нараняване на потребителя. Дръжте наръчника с инструкции под ръка, до сушилнята.
- Тази сушилня е предназначена само за домашна употреба. Ако сушилнята се използва за търговска, професионална или необичайна домашна употреба, или ако сушилнята се използва от лице, което няма качеството на потребител, гаранционният период ще бъде равен на най-краткия гаранционен период, предвиден от приложимото законодателство.
- Следвайте инструкциите за правилна инсталация на сушилнята и за свързване към хранващата мрежа с електроенергия.
- В случай на уреди с отвори за вентилация в основата, уверете се, че не са запушени от килим.
- Уредът не трябва да се инсталира зад врата, която може да бъде заключвана, зад плъзгаща се врата или зад такава с панта от противоположната страна на сушилнята, така че да се възпрепятства пълното отваряне на вратата на сушилнята.
- Всички ремонти или операциите по поддръжка на сушилнята за дрехи трябва да се извършват само от квалифицирани експерти. Ремонтите, извършени от неквалифицирани лица, могат да доведат до злополуки или големи неизправности.
- С цел предотвратяване на опасности, ако хранващият кабел е повреден, трябва да се подмени от производителя, от неговия сервизен представител или от лица с подобна квалификация.
- След инсталирането сушилнята трябва да се остави да стои неподвижна за два часа, преди да бъде включена към източника на хранване с електроенергия.
- Необходими са поне две лица, за да се инсталира сушилнята за дрехи над перална машина.

- Инсталирайте сушилнята в помещение с подходяща вентилация и температура между 10°C и 25°C.
- Винаги използвайте тръбите или маркучите, доставени заедно със сушилнята.
- Поставете сушилнята върху здрава (бетонна), права и стабилна основа.
- Не поставяйте сушилнята зад заключваща се или плъзгаща се врата, или зад врата с панти от противоположната страна на пантата на вратата на сушилнята. Инсталирайте сушилнята така, че вратата да може да се отваря винаги с лекота.
- При никакви обстоятелства не блокирайте отвеждането на въздуха (отвора за отвеждане). Не поставяйте сушилнята върху килим с дълги косми, тъй като това може да възпрепятства циркулацията на въздуха.
- Въздухът в средата, в която се използва сушилнята, не трябва да съдържа прахови частици.
- Уредът не трябва да е в контакт със стена или с мебели в непосредствена близост. Този уред не трябва да се съхранява или използва на открито.
- Трябва да се осигурява съответстваща вентилация, за да се предотвратява връщането в помещението на газове от уреди, които изгарят други горива, включително с открит огън.

Електрическият предпазител

- С цел предотвратяване на опасности, ако захранващият кабел е повреден, трябва да се подмени от производителя, от неговия сервизен представител или от лица с подобна квалификация.
- Сушилнята не трябва да се свързва към захранващата мрежа с електроенергия чрез удължителен кабел.
- Не свързвайте сушилнята за дрехи към електрически контакт, предназначен да захранва електрическа самобръсначка или сешоар за коса.
- Сушилнята е защитена със система за автоматично изключване в случай на прегряване. Тази система ще изключи сушилнята, ако температурата е твърде висока.
- Ако мрежестият филтър е запушен, може да бъде активирана системата за автоматично изключване при прегряване. Почистете филтъра, изчакайте сушилнята да се охлади и опитайте да я включите отново. Ако сушилнята пак не се включва, свържете се със службата за техническа поддръжка.
- Не използвайте с този уред разклонители, удължителен кабел или двоен адаптер.
- Този уред трябва да бъде заземен чрез захранващия кабел. В случай на несъответстващо функциониране или на повреда, заземяването ще намали риска от токов удар, като се осигурява път с най-малко съпротивление за електрическия ток.
- Несъответстващото свързване на заземителния проводник може да доведе до поява на опасност от токов удар. Консултирайте се с квалифициран електротехник или със сервизен представител, ако имате съмнения по отношение на съответстващото заземяване на уреда.
- Този уред е оборудван със захранващ кабел със заземителен проводник и заземяващ щепсел. Щепселът трябва да бъде свързан към съответстващ контакт, инсталиран и заземен в съответствие с всички местни предписания и разпоредби.
- При никакви обстоятелства не изваждайте уреда от контакта, като дърпате за захранващия кабел. Винаги дръжте здраво щепсела и го издърпвайте директно от контакта.
- Не разпръсквайте вода във вътрешността на уреда или върху него, за да го почистите.
- Забранено е захранването на този уред чрез външно комутационно устройство (като таймер) или свързването му към електрическа верига, която се включва и изключва на редовни интервали от доставчика на комунални услуги.
- При използване на сушилнята съществува риск от токов удар, тъй като работи с електроенергия.
- Проверявайте дали сушилнята има видими повреди.
- Не използвайте сушилнята, ако има повреди.
- Преди свързване на уреда към източника на захранване с електроенергия уверете се, че захранващото напрежение, посочено върху указателната табелка с технически характеристики, съответства на напрежението, което е налично на мястото на употреба.
- Използвайте само прекъсвачи за остатъчен ток със съответстващия символ.

- Проверявайте захранващия кабел, за да се уверите, че не е прегънат или застопорен и че не влиза в контакт с източници на топлина или с остри ръбове.

Безопасност за деца

- Устройството не е предназначено за използване от лица (включително деца) с намалени физически, сензорни или умствени способности, или които нямат необходимите опит и познания, освен ако са наблюдавани или са били обучени относно използването на уреда от лице, отговорно за тяхната безопасност.
- Децата трябва да бъдат наблюдавани, така че да не си играят с уреда.
- Уредът може да се използва от деца на възраст най-малко 8 години и от лица с намалени физически, сетивни или умствени способности, или с липса на достатъчен опит и познания, само ако са под наблюдение или са получили указания във връзка с използването на уреда по безопасен начин и ако разбират опасностите, които могат да възникнат при използване на уреда. Децата нямат право да си играят с уреда. Почистването и поддръжката не трябва да се извършват от деца, които не са под наблюдение.
- Не допускайте деца под 3 години около уреда само, ако не са под непрекъснат надзор.
- Не позволявайте на деца и домашни любимци да влизат в барабана на сушилнята.
- Преди да затворите вратата на сушилнята и да стартирате програмата, се уверете, че в барабана няма нищо друго освен пране (например: в случай, че дете се е качило вътре в барабана на сушилнята и е затворило вратата отвътре).
- Не оставяйте отворена вратата на уреда. Съществува риск малки деца да се закачат за вратата и да стигнат във вътрешността на уреда, причинявайки повреда или нараняване.

Употреба

- Прането не трябва да се изсушава в уреда, ако са използвани промишлени химични вещества за тяхното почистване.
- Филтърът за власинки трябва да се почиства често.
- Не използвайте сушилнята за изделия, които не са изпрани.
- Изделията, които са замърсени с вещества като олио, ацетон, етилов алкохол, бензин, течна газ за горене, вещества за отстраняване на петна, минерален терпентин, восък и вещества за отстраняване на восък, трябва да се изпират в гореща вода с по-голямо количество препарат за миене преди да бъдат изсушени в уреда.
- Изделия като тези от мек каучук (латексова пяна), шапки за душ, водоустойчиви текстилни материали, гумени изделия и дрехи или възглавници с пълнеж от мек каучук не трябва да се изсушават в уреда.
- Балсамът или подобни продукти трябва да се използват съгласно съответстващите им инструкции.
- Извадете от джобовете всички предмети, като например запалки и кибритени клечки.
- Изделията, замърсени с масло, могат да изгорят внезапно, особено ако са изложени на източник на топлина, като този на сушилнята за дрехи. Изделията се нагряват, като това води до окисляване на маслото. Окисляването генерира топлина. Ако топлината не е изведена, изделията могат да се нагряват и могат да изгорят. Натрупването или струпването на замърсените с масло изделия възпрепятства извеждането на топлината и генерира риск от пожар.
- Ако е непредотвратим факта, че текстилните материали, които съдържат растително масло (или олио) или които са били замърсени с продукти за грижа за косата, ще бъдат изсушавани в сушилня за дрехи, те трябва първо да се изперат с гореща вода, като се използва допълнително количество препарат за миене - тази операция ще намалява риска, но няма да го премахне.
- В случай на поява на неизправност използвайте само резервни части, които са одобрени от оторизираните производители.
- Ако тръбата за конденз е блокирана или запушена, работата на сушилнята с барабан се прекъсва.

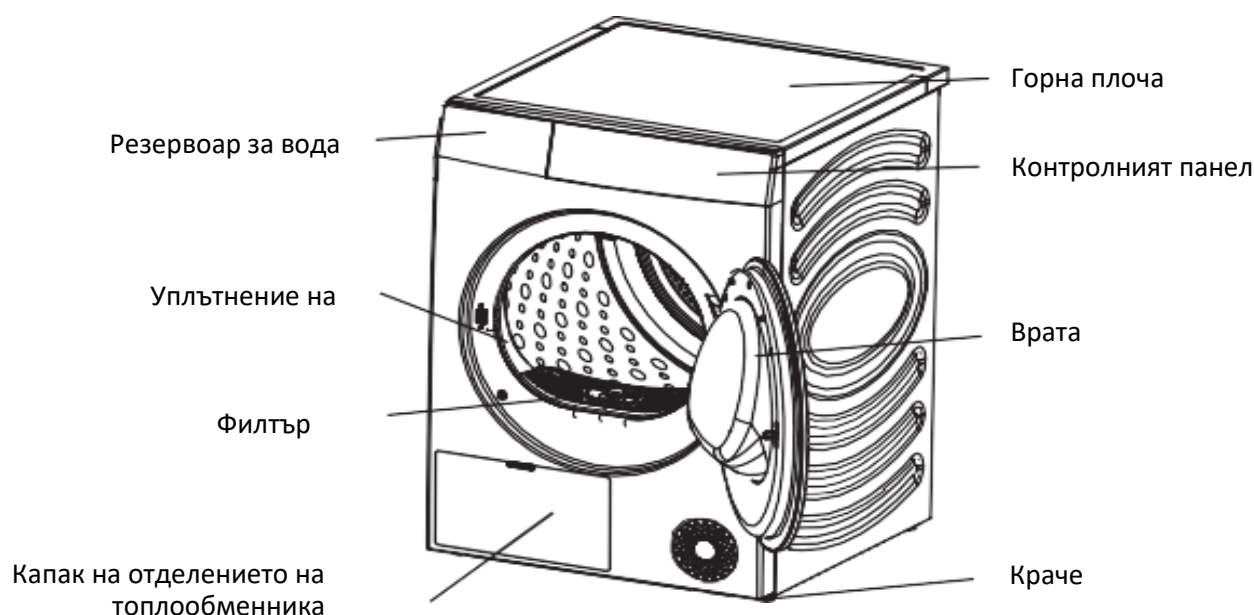
- Преди да преместите сушилнята или да я складирате в неотопляемо помещение през зимата, резервоарът за конденз трябва да се изпразни.
- Почиствайте филтрите на сушилнята след всеки цикъл на сушене. Ако сте извадили филтрите, поставете ги обратно на място преди следващия цикъл на сушене.
- Не използвайте разтворители или почистващи препарати, които могат да повредят сушилнята.
- При никакви обстоятелства не добавяйте химични вещества или парфюми в резервоара за конденз.
- След процеса на сушене разкачете щепсела на сушилнята от източника на захранване с електроенергия.
- Сушилнята използва система с термопомпа за нагряване на въздуха.
- Системата се състои от един компресор и един топлообменник. Когато сушилнята е включена, работата на компресора (звукът на течност, която тече) или циркулацията на хладилния агент могат да бъдат по-шумни, докато компресорът работи. Това не е признак за неизправност и няма да засегне полезния експлоатационен живот на сушилнята. С течение на времето и заедно с използването на сушилнята, силата на този шум ще намалее.
- Не пийте и не гответе храна с кондензна/дестилирана вода. Може да причини здравословни проблеми на хора и домашни любимци.
- Изваждайте веднага дрехите от продукта, когато сушенето е приключило или когато захранването с електроенергия е спряло по време на процеса на сушене. За да избегнете риска от пожар, не оставяйте без надзор в уреда дрехи, които са изсушени с негова помощ. Дрехите, които не са извадени от уреда след изсушаването, могат да причинят пожар. Изваждайте дрехите веднага след изсушаването, след което ги поставете на закачалки или ги разстелете, за да се охладят.
- Не се опитвайте да използвате уреда, ако е повреден, ако функционира неадекватно, ако е частично или ненапълно разглобен, или ако негови компоненти (като захранващ кабел или щепсел) са повредени.
- Не се опитвайте да сваляте нито един панел на уреда или да разглобявате уреда. Не използвайте остри предмети, за да задействате бутоните на контролния панел.
- Никога не поставяйте ръката си в уреда, докато работи. Изчакайте докато барабанът спре въртенето си.
- В случай на наводняване, разкачете щепсела от източника на захранване и се свържете с центъра за следпродажбено обслужване.
- Не натискайте върху вратата на уреда, когато е отворена.
- Не докосвайте щепсела или бутоните за управление на уреда с влажни ръце.
- Не огъвайте прекомерно захранващия кабел и не поставяйте тежки предмети върху него.
- Не оставяйте да се натрупват власинки в сушилнята за дрехи.
- Не оставяйте в зоната под уреда и около него запалими материали като влакна, хартия, кърпи, химични вещества и др.
- Тъй като сушилнята е тежка, можете да се нараните, ако се опитате да я вдигнете. Не вдигайте сушилнята за дрехи без помощта на друго лице.
- Съществува опасност да си порежете ръцете в острите ръбове на сушилнята. Не хващайте сушилнята за острите ѝ ръбове.
- Изпъкналите части на сушилнята могат да се счупят, когато бъде вдигната или бутната.
- Не премествайте сушилнята, като я държите за изпъкналите части.
- Проверете сушилнята, за да се уверите, че не е повредена по време на транспортирането. Никога не използвайте сушилня, която е повредена.
- Всяко количество вода, останало в сушилнята, може да замръзне и да повреди сушилнята.
- Не инсталирайте сушилнята в помещения, където има риск от замръзване.
- Уредът съдържа хладилен агент R290, който, въпреки че е екологичен, е запалим. Ако не бъде изхвърлен по съответстващ начин, може да причини пожар или отравяне. Изхвърлете уреда по съответстващ начин и не повреждайте тръбите на охладителната верига.

ПРЕДУПРЕЖДЕНИЕ: Не изключвайте сушилнята преди приключване на цикъла за изсушаване, освен ако дрехите се извадят бързо от уреда и се прострат с цел разсейване на топлината.

ПРЕДУПРЕЖДЕНИЕ: Пазете вентилационните отвори свободни от всякакви препятствия, включително при вграждане на уреда.

- При по-високи температури на сушене стъклото на вратата ще се нагрява. Действайте предпазливо, за да избегнете изгаряне. Не позволявайте на деца да си играят в близост до стъклото на вратата.
- Задната страна на сушилнята може да стане много гореща по време на работа. Изчакайте сушилнята да се охлади, преди да докоснете задната ѝ страна.
- Ако отворите вратата на сушилнята по време на процеса на сушене, възможно е дрехите да са много горещи и да Ви причинят изгаряне.

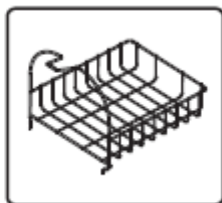
4. ОПИСАНИЕ НА ПРОДУКТА



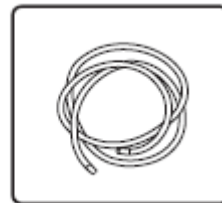
Акcesoари



Ръководство
за
потребителя



Стойка за
сушене



Канализационни
тръби

5. ИНСТАЛИРАНЕ

- За да се гарантира безопасната употреба, сушилнята за дрехи трябва да бъде инсталирана по съответстващ начин от квалифицирани специалисти.
- Потребителят ще бъде отговорен за ремонтните дейности, причинени от несъответстваща инсталация.

Предпазни мерки преди инсталиране

Среда за инсталиране

- Препоръчва се уредът да бъде инсталиран в пространство, което отговаря на следните характеристики: 25 мм в горната страна, 20 мм в страните отляво и отдясно и 50 мм в задната страна.

Изисквания за инсталиране

- Моля, инсталирайте сушилнята на сухо и добре вентилирано място, върху равен и здрав под. Не поставяйте уреда върху килим, върху велпапе/картон или под пряка слънчева светлина.
- Температурата на работната среда на сушилнята е в диапазона от 5 до 35°C. Не поставяйте уреда в помещения с температури под 0°C или с високи температури. Уредът работи най-добре при околна температура от 23°C.
- По време на боравене с уреда ъгълът на наклон не трябва да надвишава 45°; след боравенето оставете уреда изключен от контакта поне за 2 часа.
- Сушилнята не трябва да се поставя до фурни, готварски печки и друго оборудване, което отделя топлина, нито в близост до хладилно оборудване. Задната страна на сушилнята трябва да бъде добре проветрена.
- Препоръчително е сушилнята за дрехи да бъде поставена близо до пералната машина, за да се улесни изсушаването на дрехите, след като са били изцедени в центрофугата на пералната машина.
- Инсталирайте уреда върху твърд и хоризонтален под. Максимално допустимият наклон на пода под уреда е 1 градус.

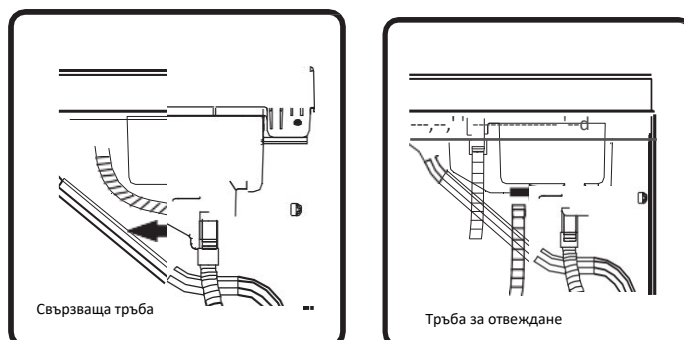
Регулируеми крачета

- Натиснете върху горните ъгли на сушилнята, за да се уверите, че е стабилна.
- Ако сушилнята се клати, завъртете четирите регулируеми крачета в долната част, за да ги регулирате на съответстваща височина, и се уверете, че сушилнята е в стабилна позиция.
- Не се опитвайте да коригирате неравностите на пода чрез поставяне под уреда на парчета дърво, велпапе или подобни материали.



Монтаж на тръбата за източване

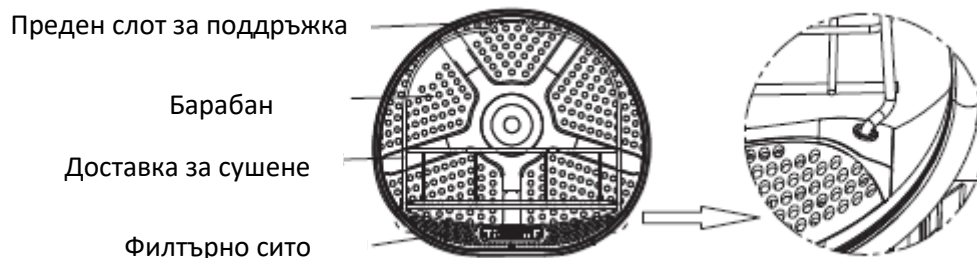
- Обикновено кондензната вода от сушенето на прането се съхранява в резервоара за вода и той трябва да се изпразва след всяка програма. Ако мястото на инсталиране на сушилнята е в близост до канализацията или ако сушилнята за дрехи е поставена над пералнята, може да се монтира една тръба за източване, за да се отвежда водата директно в канализацията.
- Извадете свързващата тръба от задната част на резервоара за вода и монтирайте тръбата за източване, както е показано на фигурата по-долу. Моля, уверете се, че връзката е монтирана по съответстващ начин.



- Моля, поставете другия край на тръбата за отвеждане в подовия сифон, без да усуквате или сплесквате тръбата. Ако тръбата е твърде дълга, моля, отрежете излишната част.
- Тръбата за източване не трябва да бъде поставена по-високо от сушилнята, защото, в този случай, водата няма да може да бъде отведена.
- Не поставяйте края на тръбата за източване в насъбрала се вода, тъй като това може да причини изпомпване.
- След като тръбата за източване е правилно монтирана, кондензната вода може да се отвежда директно, без да е необходимо да изпразвате резервоара за вода след всяка употреба.

Поставка за сушене

- Когато искате да изсушавате обувки, плюшени играчки и др., можете да използвате поставката за сушене.
- Когато изсушавате дрехи, моля, отстранете поставката за сушене.
- Монтаж на поставката за сушене: Моля, наклонете поставката за сушене под определен ъгъл, като долният край е захванат в двата отвора на филтъра, а горният край е увиснал в процеп на предната поставка.



Свързване към източника на захранване

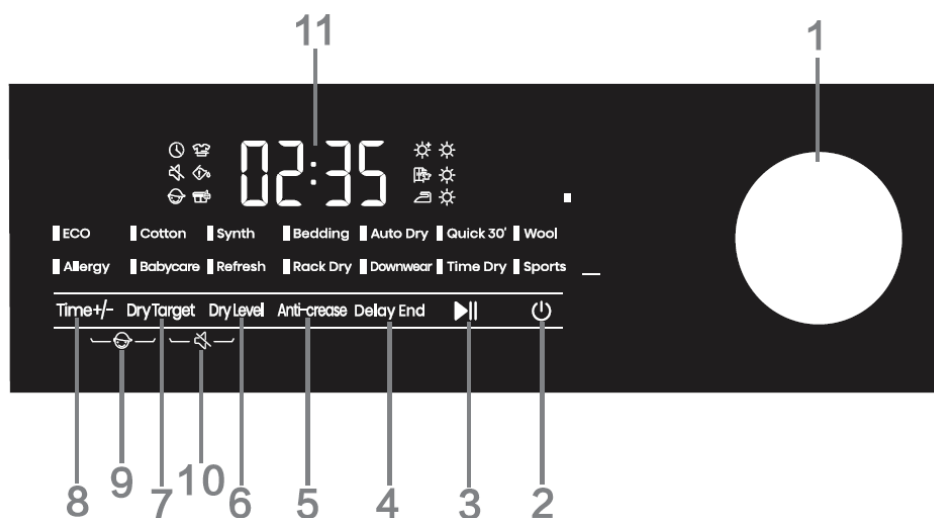
- Уверете се, че захранването с електроенергия е в съответствие с изискванията за захранване с енергия на сушилнята.
- Сушилнята трябва да бъде заземена по съответстващ начин и в безопасни условия.

- Не използвайте разклонител или многофункционален контакт за вторично свързване.
ЗАБЕЛЕЖКА: Изключвайте уреда от източника на захранване след всяка употреба.

Застъпване на уреда

- Сушилнята може да се инсталира върху перална машина, с помощта на странична плоча от 486 мм.
- В случай на застъпване, уредът трябва да се фиксира с помощта на предвидените за целта аксесоари. Моля, свържете се със службата за техническа помощ с оглед извършване на инсталирането.
- За да избегнете злополуки, инсталирането на сушилнята над пералната машина не трябва да се извърши без предвидените за тази цел аксесоари.
- От съображения за сигурност е необходимо инсталирането да се извърши от двама или повече лица заедно. Теглото на уреда и работната височина правят инсталационната процедура твърде рискована, за да бъде извършена от един човек.
- Повърхността, върху която се поставя уреда, трябва да бъде чиста и хоризонтална.
- Двата застъпващи се уреда трябва да бъдат поставени на разстояние 50-200 мм от стената.

6. ИЗПОЛЗВАНЕ НА ПРОДУКТА



1. Ротационен бутон

Този бутон се използва за избор на програми

2. Захранване

Натиснете този бутон, за да включите/изключите сушилнята.

3. Start/Pause (Старт/Пауза)

Натиснете бутона „Старт/Пауза“, за да прекъснете или стартирате програмата.

4. Delay End (Забавяне на края на програмата)

Тази функция може да отложи края на програмата.

Направете програмиране след избор на програмите и функциите. Натиснете бутона „Delay End“, за да увеличите или намалите времето за отлагане на края на програмата. Промяната на продължителността се извършва с по 1 час при всяко натискане, а максималната опционална продължителност е 24 часа.

Времето за отлагане е времето до приключване на програмата, включително времето за изпълнение на цялата програма. Така, времето за отлагане на завършването на програмата трябва да е по-дълго от времето за изпълнение на програмата.

По време на закъснението на завършването на програмата свети иконата за закъснение на завършването на програмата. В края на времето за забавяне на завършването на програмата иконата за забавяне на завършването на програмата угасва.

Преди стартирането на програмата забавянето на завършването на програмата може да бъде отменено чрез избиране на други програми или натискане на други бутони за избор на функции.

След стартиране на програма, ако функцията за забавяне на завършването на програмата е отменена, изключете сушилнята и я стартирайте отново.

5. Anti-crease (Защита от намачкване)

Ако дрехите не могат да бъдат извадени навреме след сушене, изберете функцията против намачкване. При тази функция барабанът се върти с прекъсвания, за да се намали до минимум намачкването.

Докоснете произволен бутон или отворете вратата, за да деактивирате функцията „Anti Crease“ (Против намачкване). Ако не се задейства нито един бутон, програмата приключва автоматично след 12 часа, по подразбиране.


Включването на тази пиктограма показва, че функцията против намачкване е активирана.


Тази функция може да бъде избрана до края на процеса на сушене.


6. Dry level (Ниво на сушене)


Степента на изсушаване (нивото на сушене) е разделена на 3 нива, обозначени на дисплея с икони във формата на 1 до 3 слънца, което позволява дрехите да бъдат изсушени в зависимост от техния обем и материала, от който са изработени.

7. Dry target (Ефект на изсушаването)

Този бутон се използва за избор на ефекта на изсушаването. Опцията по подразбиране е . Натиснете бутона и изберете степента на сушене.

 - означава, че дрехите могат да се складират след изсушаването.

 - означава, че дрехите могат да се носят веднага след изсушаването.

 - означава, че дрехите съдържат малко количество вода и могат да се гледат.

8. Time (Продължителност)

Натиснете и задръжте бутона, за да превключите между наличните позиции. Наличните позиции се различават в зависимост от програмата. Натиснете и задръжте бутона, за да превключите между наличните позиции. Наличните позиции се различават в зависимост от програмата.

9. Блокиране срещу задействане от деца/деца

За да избегнете погрешно задействане от страна на деца и за да ги предпазите, тази сушилня е оборудвана със система за заключване против задействане от деца.

След като стартирате програма, натиснете и задръжте натиснати едновременно бутоните „Time+/-“ и „Dry target“. Функцията за заключване против задействане от деца ще бъде активирана, а пиктограмата, съответстваща за тази функция, ще светне. Функцията за заключване против задействане от деца може да бъде деактивирана, като следвате същата процедура.

След активиране на функцията за заключване против задействане от деца бутоните ще бъдат заключени. В случай на приключване на програмата или на рестартиране след прекъсване на храненето, функцията за заключване против задействане от деца остава активна.

След активиране на функцията за заключване против задействане от деца: натиснете бутона „Старт/Пауза“, за да отмените предупреждението, ако се появи съобщението за отстраняване на мъх и остатъци. По време на работа на програмата „Anti Crease“ (Против намачкване), деактивирането на функцията за заключване против задействане от деца трябва да се извърши ръчно, а програмата „Anti Crease“ (Против намачкване) приключва автоматично.

10. Mute (Деактивиране на звуковите сигнали)

Този бутон се използва за включване/изключване на звуковите сигнали, с изключение на предупредителния тон.

След включване или когато машината е в режим на готовност, натиснете и задръжте бутоните „Dry Target“ и „Dry Level“, за да включите/изключите звуковите сигнали.

11. Екран

Използва се за изписване на оставащото време, на продължителността на програмирането, на кодовете за грешки и на друга информация за програмите.

Продължителността, изписана от програмата, може да се различава от реалната продължителност на работата. Реалното време за сушене се коригира автоматично в зависимост от фактори като вида на дрехите, натоварването, съдържанието на вода след центрофугиране и околната температура.

В края на програмата ще се изписва съобщението „End“.

Лампа на ваната

Тази сушилня е оборудвана с една лампа за ваната. Когато уредът е в режим на готовност или работи (завъртете бутона, натиснете произволен бутон или отворете вратата), когато програма бъде прекъсната или в края на програма, лампата на ваната се включва автоматично и свети за 1 минута, така че да можете да виждате във вътрешността на ваната, след което изгасва автоматично.

Спиране, когато дрехите са изсушени

Тази сушилня се изключва, когато дрехите са изсушени. Когато зареждането с дрехи е малко, е възможно програмата да не е приключила, но дрехите да са сухи. В този момент програмата ще приключи автоматично, за да се спести електроенергия.

Таблица с програми

Програми	Описание	Максимален обем
Cotton (Памучно пране)	Използвайте тази програма за по-дебело и по-малко чувствително памучно пране, с приблизително еднаква дебелина. След приключване на програмата прането ще бъде сухо.	9 кг
Synthetics (Синтетично пране)	Програмата се използва за сушене на деликатно пране от синтетични влакна.	4,5 кг
ECO	Използвайте тази програма за сушене на обикновени памучни дрехи.	9 кг
Bedding (Спално бельо)	Използвайте тази програма за по-големи изделия. След приключване на програмата изделията ще бъдат сухи. Адаптирането на въртенето на барабана предотвратява заплитането на прането.	2,5 кг
Downwear (Пухени изделия)	Използвайте тази програма, за да изсушавате текстил, напълнен или подплатен с пух (възглавници, юргани, якета и др.). Изсушавайте големите предмети отделно и използвайте функцията Extra Dry (Допълнително сушене) или програмата за сушене с ръчна настройка на продължителността, ако е необходимо.	2 кг
Sportwear (Спортно облекло)	Използвайте тази програма за облекло с мембрана, за спортно облекло от смесени материали и тъкани, които позволяват циркулация на въздуха.	2 кг
Auto Dry (Автоматично сушене)	Използвайте тази програма за по-дебело и по-малко чувствително памучно пране, с приблизително еднаква дебелина. След завършване на програмата те ще бъдат сухи или леко влажни.	4,5 кг
Baby care (Изделия за бебета)	Използвайте тази програма, за да изсушавате бебешко облекло. След приключване на програмата тези изделия ще бъдат сухи.	2 кг
Allergy care (Антиалергични)	За отстраняване на алергени, като акари например	2 кг
Quick 30 (Кратка програма 30 мин)	За бързо изсушаване на леки и тънки дрехи	0,5 кг
Refresh (Освежаване)	При тази програма термопомпата не работи. Програмата е подходяща за освежаване на пране.	/
Wool (Вълна)	Тази кратка програма е предназначена за сушене на вълнени и копринени дрехи съгласно инструкциите на техните производители.	1 кг
Rack dry (Сушене върху поставка)	Когато използвате тази програма, можете да поставите изделията, които следва да бъдат изсушавани (например: малки плюшени животни, маратонки и др.) върху поставката за сушене.	/
Time dry (Сушене с ръчна настройка на продължителността)	Използвайте тази програма за по-малко деликатно пране, което е все още леко влажно и трябва да бъде добре изсушено. В рамките на програмата, която позволява ръчна настройка на продължителността, остатъчната влажност не се отчита автоматично. Ако прането е все още влажно след приключването на програмата, повторете програмата. Ако е твърде сухо и, следователно, намачкано и грапаво, избраното време за сушене е било твърде дълго.	/

Съвети за сушене на дрехи

- Дрехите трябва да бъдат добре изцедени (центрофугирани), преди да бъдат поставени в сушилнята. За да спестите електроенергия, моля, увеличете скоростта на центрофугиране на пералната машина над 1000 об./мин.
- Моля, изтръскайте дрехите, преди да ги поставите в сушилнята.

- За да получите оптимален ефект на сушене, моля, сортирайте дрехите и изберете подходяща програма за сушене. Всяка програма отговаря на определени изисквания за максимално натоварване. Не претоварвайте уреда.
- След изсушаването на дрехите почиствайте своевременно филтъра от мъх и остатъци.
- При сушене на малко количество дрехи се препоръчва да използвате програма, която Ви позволява ръчно да зададете времето за сушене.
- Не изсушавайте колосвани дрехи, тъй като втвърдяването на препаратата за колосване ще намали ефекта на изсушаването.
- Дрехите, които се обезцветяват лесно, трябва да се изсушават отделно.
- Смесеното зареждане на тъкани може да доведе до удължаване на времето за сушене и прекъсване на показването на оставащото време. Оставащото време ще продължава да се изписва, когато информацията ще отразява реалното оставащо време.

Подготовка преди сушенето на дрехите

- Преди сушене, моля, проверете етикетите на дрехите, за да се уверите, че са подходящи за сушене.
- Изпразнете джобовете си и извадете от тях монети, карфици, ключове и други предмети, за да предотвратите повреждането на дрехите.
- Затворете циповете, закопчайте копчетата и затегнете коланите. За да избегнете шума, произвеждан от циповете и копчетата по време на сушене, обърнете дрехите наопаки, преди да ги поставите в сушилнята.
- Уверете се, че резервоарът за вода е изпразнен и че филтърът за мъх и остатъци е правилно почистен и е поставен по съответстващ начин.

ЗАБЕЛЕЖКА

- Времето за сушене на дрехите ще се коригира автоматично в зависимост следните фактори:
- вида на дрехите, натоварването, съдържанието на вода след центрофугиране и околната температура.
- Моля, проверете етикетите на дрехите, за да се уверите, че могат да бъдат изсушавани, за да избегнете повреждането им.
- Едновременното сушене на дрехи с различна текстура и дебелина ще доведе до различни резултати на процеса на сушене.
- Потребителите могат да изберат подходящата програма според предпочитанията си. Ако дрехите не са напълно изсъхнали, може да се избере допълнителна програма за сушене, която позволява ръчно настройване на времето за сушене.
- При сушене на тъкани с голям размер, като спално бельо и покривки за легло, поради големия товар, те могат да се слепят, засягайки резултата на процеса на сушене. Моля, извадете ги и ги изтръскайте, преди да ги поставите в сушилнята, за да продължи изсушаването им.
- Моля, обърнете пухените дрехи наопаки преди сушенето

7. ПОЧИСТВАНЕ И ПОДДРЪЖКА

Редовната поддръжка може да удължи експлоатационния живот на сушилнята. Не забравяйте да изключвате захранването с електроенергия, преди да извършвате операции по поддръжката.

Външната страна на сушилнята

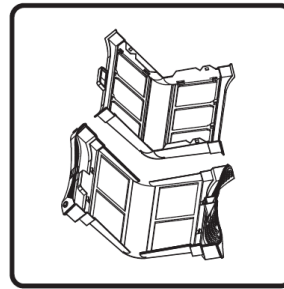
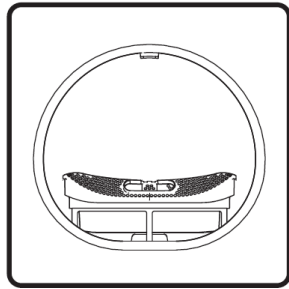
- Почистете повърхността на корпуса с мека и влажна попивателна кърпа, като използвате некорозивен домакински препарат за миене.
- След това я избършете с мека и суха кърпа.

Уплътнение на вратата

- Проверявайте периодично уплътнението на вратата и, ако е необходимо, почистете го с влажна попивателна кърпа.
- След употреба оставете вратата леко отворена с цел проветряване и изсушаване.

Почистете филтъра от мъх и остатъци

- Прекомерно натрупаният мъх върху филтъра засяга резултата от процеса на сушене. Моля, почиствайте филтъра след всяка употреба.
- След почистване не забравяйте да поставите отново филтъра на мястото му, преди да използвате уреда.



1. Отворете вратата и извадете филтъра от предната поставка.
2. Отворете филтъра и отстранете мъха от двуслойния филтър с влажна хавлия или под водна струя.




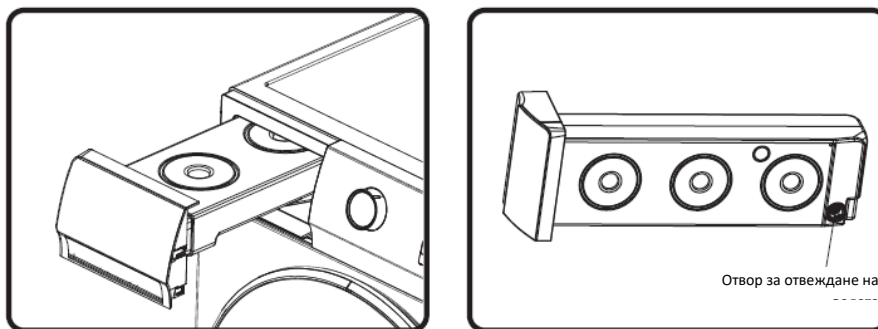
3. След като филтърът изсъхне, поставете го обратно на място.
4. Инсталирайте филтъра на предната поставка.

Забележки:

- Долната част на предната поставка е оборудвана със сензор за температура. След като извадите филтъра за мъх, внимавайте да не докоснете сензора, за да не го надраскате.
- Когато монтирате филтъра обратно на място, поставете го в правилната посока и в съответстващата позиция.
- Не използвайте тази сушилня, ако филтърът не е поставен по съответстващ начин.

Почистване на резервоара за вода

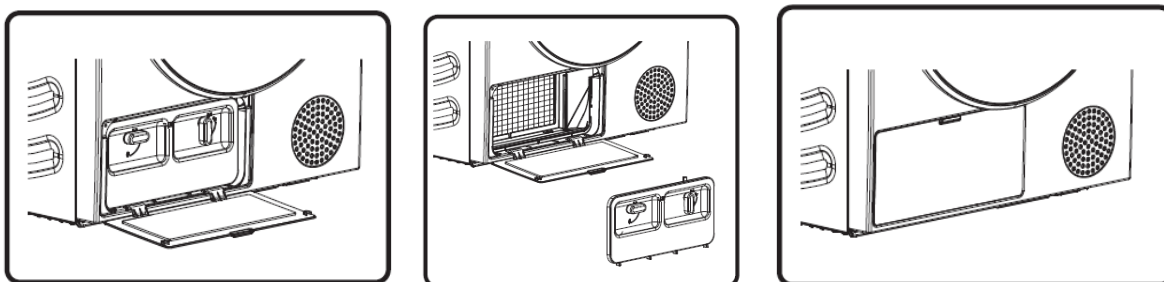
- Ако тръбата за източване не е монтирана, кондензната вода в резултат на изсушаването се събира в резервоара за вода. Моля, изхвърлете я своевременно след приключване на програмата.
- По време на работа, ако резервоарът за вода се напълни, пиктограмата  ще мига на цифровия екран. Моля, изпразнете веднага резервоара за вода.
- Кондензната вода не е годна за пиене.



- Изваждайте резервоара за вода в хоризонтално положение, за да избегнете разливането на кондензна вода.
- Изхвърлете кондензната вода и поставете резервоара за вода обратно на място.

Почистване на топлообменника

Моля, почиствайте периодично топлообменника. В противен случай производителността на сушилнята ще бъде засегната.



1. Натиснете върху клемата на капака на отделението на топлообменника, за да отворите капака.
2. Завъртете бутона за заключване на капака на филтъра от основата в позицията за отключване. След период на употреба, ако върху топлообменника се натрупа прах, моля, премахнете го. Не докосвайте топлообменника директно с ръцете си, за да избегнете нараняване.
3. Монтирайте обратно в първоначалните им позиции почистените филтър и капак на филтъра, заключете бутона и затворете капака на отделението на топлообменника.

8. ОТСТРАНЯВАНЕ НА НЕИЗПРАВНОСТИ

Когато уредът не функционира нормално, това може да не е неизправност. Моля, вижте следните методи за отстраняване на неизправности. Ако неизправността продължава да съществува след прилагане на препоръчаните методи за отстраняване на неизправности, моля, разкачете щепсела от източника на захранване и се свържете с нас с оглед предоставяне на следпродажбено обслужване.

Проблем	Препоръчан метод
Сушилнята не може да бъде включена.	<ul style="list-style-type: none"> * Проверете връзката на захранването. * Уверете се, че сте натиснали бутона „Старт/Пауза“. * Уверете се, че вратата е затворена правилно. * Електрическият предпазител в жилището е изгорял, прекъсвачът на веригата се е задействал или има прекъсване на електрозахранването.
Сушилнята не може да бъде включена и върху цифровия екран се изписва „End“.	<ul style="list-style-type: none"> * Уверете се, че настройката на програмата е правилна. * Уверете се, че има дрехи във ваната.
Прекалено дълго време за сушене	<ul style="list-style-type: none"> * Уверете се, че настройката на програмата е правилна. * Уверете се, че дрехите във вътрешността на ваната не са претъпкани. Уверете се, че филтърът е почистен. * При определени програми уредът извършва подаване на въздух с цел охлаждане след сушене.
Незадоволителен резултат от процеса на сушене	<ul style="list-style-type: none"> * Уверете се, че дрехите са изцедени. * Уверете се, че настройката на програмата е правилна. Уверете се, че няма твърде много дрехи. * Изделията не са сортирани правилно. Дрехи, които не се изсушават лесно, са смесени с дрехи, които се изсушават лесно. * Голямо натоварване с тежки тъкани Уверете се, че филтърът е почистен.
Оставащото време до края на програмата спира или се променя по несъответстващ начин.	<ul style="list-style-type: none"> * Оставащото време варира в зависимост от вида на дрехите, натоварването, съдържанието на вода след центрофугиране и околната температура, което представлява нормално явление.
Дрехите са намачкани.	<ul style="list-style-type: none"> * Дрехите са сушени твърде дълго. Опитайте с по-кратка продължителност на сушенето. * Дрехите са оставени в уреда твърде дълго след приключването на програмата.
Сушилнята е твърде шумна.	<ul style="list-style-type: none"> * Проверете дали във ваната има монети, разхлабени копчета, пирони и други предмети, и ги отстранете незабавно. * Проверете филтъра за мъх. Отстранете всички предмети, заседнали във вътрешността на филтъра за мъх. * Уверете се, че сушилнята е нивелирана и стабилна на пода. * Сушилнята може да бръмчи поради циркулацията на въздух през барабана и поради вентилатора. Това е нормално.

Проблем	Препоръчан метод
Дрехите се свиват.	* Не са спазени инструкциите за грижа за дрехите. Използвайте настройка, която е с ниска температура или която не използва топлина за сушене.
Остава мъх по дрехите.	* Филтърът за мъх не е почистен по съответстващ начин. * Дрехите не са сортирани по съответстващ начин. * Някои тъкани отделят повече мъх и трябва да се изсушават отделно от тъканите, за които се захваща мъх с лекота. * В джобовете са оставени салфетки, хартии и др.
Уредът излъчва неприятна миризма.	* Миризмата се причинява от съдържанието на каучук в компонентите от вътрешността на уреда. Този тип миризма е специфична миризма на каучук и изчезва от само себе си след няколкократно използване на уреда. * Когато перете дрехи, използвайте перилния препарат в съответствие с препоръките на производителя. Ако използвате излишък от перилен препарат, без да спазвате препоръките, неразтвореният перилен препарат може да се натрупа върху дрехите и да предизвика появата на миризма. * Можете да усетите миризми от дрехите, ако са оставени в уреда след сушене или в пералната машина след изпиране. Изваждайте дрехите веднага след края на цикъла на сушене или изпиране. * Уверете се, че можете да усетите същата миризма в пералната машина. В този случай почистете ваната на пералната машина съгласно наръчника за употреба на пералната машина. * Винаги се уверявайте, че двата филтъра за мъх са чисти. Ако във филтъра за мъх има остатъци след сушенето, те могат да предизвикат появата на миризми. Също така е необходимо да оставяте филтъра за мъх да изсъхне напълно след всяко почистване.
Уредът е захранен и включен веднага след прекъсване на доставката на електроенергия, но не работи.	* Когато програмата бъде прекъсната, зададените функции не могат да се променят. Ако програма или функция изисква промени по време на работа, или ако захранването е прекъснато по време на работа и уредът трябва да бъде включен отново, завъртете бутона до позиция „Off”, след което завъртете бутона отново, за да изберете необходимите програма и функция, и накрая стартирайте програмата.

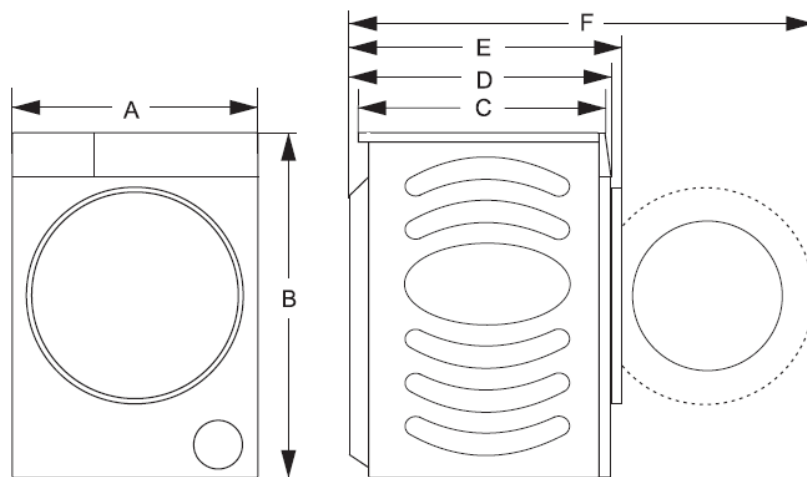
Кодове за грешка

Код	Проблем	Препоръчан метод
F50/F51	Неизправност на сензора	* Моля, свържете се с оторизиран сервис.
F22	Дефектен двигател и захранваща платка	* Натиснете бутона за захранване за 3 секунди и натиснете отново бутона „старт/пауза“. * Ако проблемът продължава да съществува, моля, свържете се с оторизиран сервис.
F21	Неизправност на цифровия екран и захранващата платка	* Завъртете бутона до позиция „OFF”, за да изключите сушилнята и я включете отново след 10 секунди. * Ако проблемът продължава да съществува, моля, свържете се с оторизиран сервис.

Технически данни

Продукт	HHPD-HMK90IVFC+++
Цвят	220-240V – 50Hz
Номинален капацитет	9 kg
Номинална мощност	550 W
Размери на продукта (Ш x Д x В):	595 x 685 x 845
Нетно тегло	53 kg
Хладилен агент	R290
Зареждане	125 гр.

Размери	A	595 мм
	B	845 мм
	C	590 мм
	D	640 мм
	E	685 мм
	F	1170 мм



Таблицата показва стойностите на потребление на енергия и времето, необходимо за изсушаване на примерна партида пране с различни количества и след центрофугиране в пералната машина. Следните изисквания се отнасят за посочените по-долу стойности на потребление.

Програма	Капацитет	Скорост на въртене (rpm)	Потребление (kWh/Цикъл)	Продължителност на програмата (h:m)	Остатъчен мъх (%)
Eco	9	/	1.72	03:28	1.5
Synthetics	4.5	1000	0.60	01:30	0.5
Cotton	9	1000	1.86	04:05	0.5
Wool	1	/	0.16	00:30	1.0

1. Стойностите, посочени за програми, различни от екопрограмата, са само ориентировъчни.
2. Резултатите за програмата „Wool“ („Вълна“) са изчислени на базата на зареждане на вълнени изделия с първоначално съдържание на влага 5%.

3. Програмата Есо е подходяща за сушене на мокро памучно пране и се използва за оценка на съответствието със законодателството на ЕС за екодизайн.
4. Програмата Есо е най-енергийно ефективната програма за сушене на влажно памучно пране.
5. Зареждането на непрофесионалната сушилня до максималния капацитет, посочен от производителя за съответните програми, ще допринесе за икономия на енергия.
6. При пълно натоварване в програма Еко, емисиите на въздушен шум при цикъла на сушене са: 64dB.
7. Информацията за продукта и QR кодът са подчертани в етикета за енергийно потребление. Информация за регистрацията на продукта може да се получи чрез сканиране на QR кода.
8. Консумацията на енергия в режим на изключване е 0,5 W. Време за автоматично превключване в режим на изключване: 10 мин.

Поради разликите във вида и количеството пране, центрофугирането, колебанията в захранването, както и температурата и влажността на околната среда, измерените от потребителя стойности могат да се различават от посочените в таблицата.

Техническата информация се намира на табелката с технически данни на уреда и на енергийния етикет.

QR кодът на енергийния етикет, предоставен заедно с уреда, предлага уеб връзка към информацията в базата данни на EPREL относно постиженията на уреда.

Запазете енергийния етикет за бъдещи справки, заедно с ръководството за употреба и с всички други документи, предоставени заедно с този уред.

Също така, можете да намерите същата информация в базата данни на EPREL, като използвате връзката <https://eprel.ec.europa.eu> и наименованието на модела и серийния номер на продукта, които можете да намерите на табелката с технически данни на уреда.

За достъп до информация за вашия продукт в портала EPREL можете да сканирате кодовете по-долу:



Благодарим Ви за закупуването на този продукт! Ако се нуждаете от помощ за вашия продукт, посетете нашия уебсайт, като използвате линковете по-долу.

Получете ръководства за употреба: <https://www.heinner.ro>

Получете информация за ремонт: <https://www.heinner.ro>

Изхвърляне на отпадъците по начин, отговорен за околната среда



Можете да помогнете за опазването на околната среда!

Моля спазвайте местните разпоредби: Предайте нефункциониращото електрическо оборудване на център за събиране на отпадъци от електрическо оборудване.



HEINNER е регистрирана марка на компанията **Network One Distribution SRL**. Останалите търговски марки и наименованията на продуктите са търговски марки или регистрирани търговски марки на съответните им притежатели.

Нито една част от спецификациите не може да бъде възпроизвеждана под каквато и да е форма или средство, или използвана за получаване на производни като преводи, трансформации или адаптации, без предварителното съгласие на компанията NETWORK ONE DISTRIBUTION.

Copyright © 2013 Network One Distribution. Всички права запазени.

www.heinner.com, <http://www.nod.ro>



Този продукт е проектиран и произведен в съответствие със стандартите и нормите на Европейската общност.



Вносител: **Network One Distribution**

ул. Марчел Янку № 3-5, Букурещ, Румъния

Тел: +40 21 211 18 56, www.heinner.com, www.nod.ro

1. BEVEZETŐ

Kérjük, figyelmesen olvassa el az utasításokat, és őrizze meg a kézikönyvet későbbi tanulmányozás céljából.

A kézikönyv célja a készülék beszerelésével, használatával és karbantartásával kapcsolatos minden szükséges tudnivalót rendelkezésre bocsátani. A készülék helyes és biztonságos használata érdekében, kérjük, hogy beszerelés és használat előtt olvassa el figyelmesen a használati kézikönyvet.

2. AZ ÖN CSOMAGJÁNAK TARTALMA

- ➔ Szárítógép
- ➔ Használati kézikönyv
- ➔ Jótállási bizonylat

3. FIGYELMEZTETÉSEK ÉS ÓVINTÉZKEDÉSEK

Általános információk

- A szárító használata előtt figyelmesen olvassa el a használati utasítást.
- Kérjük, ne használja a szárítót anélkül, hogy előbb elolvasta és megértette volna a használati utasítást.
- A szárító használatára vonatkozó ezen használati utasításokat a különböző típusú vagy modellű szárítókhoz mellékeljük. Ezért előfordulhat, hogy olyan beállítások vagy funkciók leírását tartalmazza, amelyek az Ön szárítógépénél nem állnak rendelkezésre.
- A használati utasítás be nem tartása vagy a szárítógép nem megfelelő használata a szennyes vagy a készülék károsodását, illetve a felhasználó sérülését eredményezheti. Tartsa a használati útmutatót kéznél a szárítógép mellett.
- Ez a szárítógép kizárólag háztartási használatra készült. Ha a szárítógépet kereskedelmi, professzionális vagy nem háztartási célra használják, vagy ha a szárítógépet olyan személy használja, aki nem háztartásbeli felhasználó, a jótállási idő a vonatkozó jogszabályokban előírt legrövidebb jótállási idővel egyezik meg.
- Kövesse a szárítógép helyes felszerelésére és a hálózati áramellátáshoz való csatlakoztatására vonatkozó utasításokat.
- Az alján szellőző nyílással ellátott készülékek esetén győződjön meg róla, hogy a nyílásokat nem tömíti el szőnyeg.
- Ne szerelje a készüléket egy elzárható ajtó, egy tolóajtó vagy a szárító ajtójával ellentétes oldalon lévő ajtópánttal ellátott ajtó mögé, mely akadályozza a szárító ajtójának teljes kinyitását.
- A szárítógépen végzett minden javítási vagy karbantartási munkát csak képzett szakember végezhet. A szakképzetlen személyek által végzett javítások balesetekhez vagy súlyos meghibásodásokhoz vezethetnek.
- A veszélyek elkerülése érdekében, ha a tápkábel megsérült, azt a gyártónak, a szervizközpontnak vagy hasonlóan képzett személynek kell kicserélnie.
- A telepítés után a szárítógépet két órán keresztül állni kell hagyni, mielőtt a hálózati áramellátáshoz csatlakoztatná.
- A szárítógép mosógép fölé történő felszereléséhez legalább két emberre van szükség.
- A szárítógépet megfelelő szellőzésű, 10 °C és 25 °C közötti hőmérsékletű helyiségben helyezze el.

- Mindig a szárítógéphez mellékelt csöveket vagy tömlőket használja.
- A szárítógépet szilárd (beton), vízszintes és stabil alapra helyezze.
- Ne helyezze a szárítógépet retesz vagy tolóajtó, illetve a szárítógép ajtajának zsanérjával ellentétes oldalon lévő zsanéros ajtó mögé. A szárítógépet úgy helyezze el, hogy az ajtó mindig könnyen nyitható legyen.
- Soha ne zárja el a légkivezető nyílást (elszívónyílást).
Ne helyezze a szárítógépet hosszú vezetékekből álló szőnyegre, mert ez akadályozhatja a levegő keringését.
- A szárítógép használatának környezetében lévő levegő nem tartalmazhat porszemcséket.
- A készülék nem érintkezhet a fallal vagy a közeli bútorokkal.
A készüléket nem szabad kültéri helyeken tárolni vagy használni.
- Más hajtóanyagot égető készülékektől, beleértve a nyílt lángú készülékeket is, származó gázok helységbe való visszajutásának elkerülése érdekében biztosítani kell a megfelelő szellőzést.

Villamosságvédelmi biztonság

- A veszélyek elkerülése érdekében, ha a tápkábel megsérült, azt a gyártónak, a szervizközpontnak vagy hasonlóan képzett személynek kell kicserélnie.
- A szárító nem csatlakoztatható a hálózati áramellátáshoz hosszabbító kábel segítségével.
- Ne csatlakoztassa a szárítógépet olyan konnektorba, amely elektromos borotvára vagy hajszárítóra szolgál.
- A szárítógép túlmelegedés esetén automatikus kikapcsoló rendszerrel van védve. Ez a rendszer kikapcsolja a szárítógépet, ha a hőmérséklet túl magas.
- Ha a hálós szűrő eltömődik, a túlmelegedés automatikus kikapcsoló rendszere aktiválódhat. Tisztítsa meg a szűrőt, várja meg, amíg a szárítógép lehűl, és próbálja meg újra elindítani. Ha a szárítógép továbbra sem indul, forduljon a szervizhez.
- Ne használjon több dugót, hosszabbítót vagy kettős adaptert ezzel a készülékkel.
- Ezt a készüléket a hálózati kábelben keresztül kell földelni. Meghibásodás vagy hibás működés esetén a földelés csökkenti az áramütés kockázatát, mivel a legkisebb ellenállású áramútvonalat biztosítja az elektromos áram számára.
- A földelővezeték nem megfelelő csatlakoztatása áramütés veszélyét eredményezheti. Ha kétségei vannak a készülék megfelelő földelésével kapcsolatban, forduljon szakképzett villanszerelőhöz vagy a szerviz képviselőjéhez.
- Ez a készülék földelő vezetékkel és földelő dugóval ellátott tápkábelrel van ellátva. Az aljzatot megfelelő konnektorhoz kell csatlakoztatni, a helyi szabályoknak és előírásoknak megfelelően kell felszerelni és földelni.
- A készüléket semmilyen körülmények között nem szabad a hálózati kábel meghúzásával kihúzni. Mindig erősen fogja meg a dugót, és egyenesen húzza ki a konnektorból.
- Tisztítás céljából ne spricceljen vizet a készülék belsejébe vagy a készülékre.
- Tilos a készülék külső átkapcsoló rendszerrel (amilyen az időzítő) való ellátása vagy olyan áramkörhöz való csatlakoztatása, amelyet a közüzemi szolgáltató szabályos időközönként be és kikapcsol.
- A szárítógép használata során fennáll az áramütés veszélye, mivel a szárítógép elektromos árammal működik.
- Ellenőrizze a szárítógépet a látható sérülések szempontjából.
- Ne használja a szárítógépet, ha az sérüléseket mutat.
- Mielőtt csatlakoztatja a készüléket az elektromos hálózathoz, győződjön meg arról, hogy a műszaki táblán feltüntetett hálózati feszültség megfelel a felhasználási helyen rendelkezésre álló feszültségnek.
- Csak a megfelelő szimbólummal ellátott árammegszakítót használjon.
- Ellenőrizze, hogy a tápkábel nincs-e elgörbülve vagy eltömődve, és hogy nem érintkezik-e hőforrásokkal vagy éles éllel.

Gyermekek biztonsága

- A készülék nem használható csökkent értelmi, érzékszervi, vagy fizikai képességű személyek által (gyermeket is beleértve), vagy olyanok által, akik nem rendelkeznek a kellő mennyiségű tudással és tapasztalattal, csak felügyelet mellett, vagy ha a felügyeletért és a biztonságukért felelős személy megtanította őket a helyes használatra.
- A gyerekek esetében állandó felügyelet szükséges, ne engedje, hogy a készülékkel játsszanak.
- A készüléket 8 év fölötti gyermekek, csökkent fizikai, érzéki vagy szellemi képességekkel, gyakorlattal vagy ismeretekkel rendelkezők csak akkor használhatják, ha felügyelik, vagy felkészítik őket a készülék biztonságos használatára, és ha megértik a készülék használatával járó veszélyeket. Tilos gyermekeknek játszani a készülékkel. A készülék tisztítását és karbantartását nem végezhetik gyermekek felügyelet nélkül.
- Tartsa távol a készüléktől a 3 évnél kisebb gyermekeket, ha nincsenek állandó felügyelet alatt.
- Ne engedje, hogy gyermekek és háziállatok a szárító dobjába kerüljenek.
- Mielőtt bezárja a szárítógép ajtaját és elindítja a programot, győződjön meg arról, hogy a szárítógépben nincs más, csak a szennyes (például ha egy gyermek bemászott a szárítógépbe, és belülről bezárta az ajtót).
- Ne hagyja nyitva a készülék ajtaját. Fennáll annak a veszélye, hogy a kisgyermekek megragadhatják az ajtót, és bejuthatnak a készülék belsejébe, kárt vagy sérülést okozva.

Használata

- Ne szárítsa a ruhákat a készülékben, ha kémiai anyagokat használt a tisztításukra.
- Tisztítsa gyakran a foszlányszűrőt.
- Ne használja a szárítót mosatlan árucikkek szárítására.
- Olyan ruhadarabok szárítása előtt, melyek étolajjal, acetonnal, alkohollal, benzinnel, világítógázzal, folteltávolító anyagokkal, terpentinnel, viaszos anyagokkal és viasz eltávolító anyagokkal szennyezettek a mosásnál használjon forró vizet és növelje a felhasználandó mosószer mennyiségét.
- A készülékben tilos a szivacsos gumiból (latex habból) készült ruhadarabok, a zuhanyozósapkák, a vízálló anyagból készült és gumirozott anyaggal bélelt ruházati cikkek és gumiszivaccsal töltött párnák szárítása.
- A balsamokat vagy a hasonló termékeket használja a rájuk vonatkozó utasításoknak megfelelően.
- Szedjen ki a zsebekből minden tárgyat, mint a gyújtók és a gyufák.
- Az olajjal szennyezett árucikkek maguktól meggyulladhatnak, legfőképp akkor, amikor olyan hőforrásnak vannak kitéve, mint a ruhaszárító gépe. Az árucikkek felmelegednek, ami az olaj oxidálásához vezet. Az oxidáció hőt idéz elő. Ha a hő nincs kieresztve, az árucikkek felmelegedhetnek és meggyúlhatnak. Az olajjal szennyezett árucikkek felhalmozása és zsúfolása megakadályozza a hő eltávolodását, és tűzveszélyt idéz elő.
- Ha elkerülhetetlen, hogy a növényi (vagy főző) olajat tartalmazó vagy hajápoló szerekkel szennyeződött textíliákat ruhaszárító gépben szárítsa, ezeket előbb mossa meg mosószerrel forró vízben – ez a művelet csökkenti, de nem számolja fel a kockázatot.
- Meghibásodás esetén csak az engedélyezett gyártók által jóváhagyott pótalkatrészeket használjon.
- Ha a kondenzációs cső eltömődik vagy eltömődik, a szárítógép működése megszakad.
- A szárítógép mozgatása előtt vagy télen fűtetlen helyiségben történő tárolása előtt a kondenzátumtartályt ki kell üríteni.
- Minden szárítási ciklus után tisztítsa meg a szárítógép szűrőit. Ha eltávolította a szűrőket, a következő szárítási ciklus előtt cserélje ki őket.
- Ne használjon olyan oldószereket vagy tisztítószereket, amelyek károsíthatják a szárítót.
- Soha ne adjon vegyszereket vagy illatanyagokat a kondenzátumtartályba.
- A szárítási folyamat után válassza le a szárítóháztetőt az áramforrásról.
- A szárítógép hőszivattyús rendszert használ a levegő felmelegítéséhez.
- A rendszer egy kompresszorból és egy hőcserélőből áll. A szárító bekapcsolásakor a kompresszor működése (az áramló folyadék hangja) vagy a hűtőfolyadék áramlása zajosabb lehet, amíg a kompresszor működik. Ez nem jelenti a meghibásodás előjeleit, és nem befolyásolja a szárító hasznos élettartamát. Idővel és a szárító használatával ennek a zajnak az intenzitása csökkenni fog.

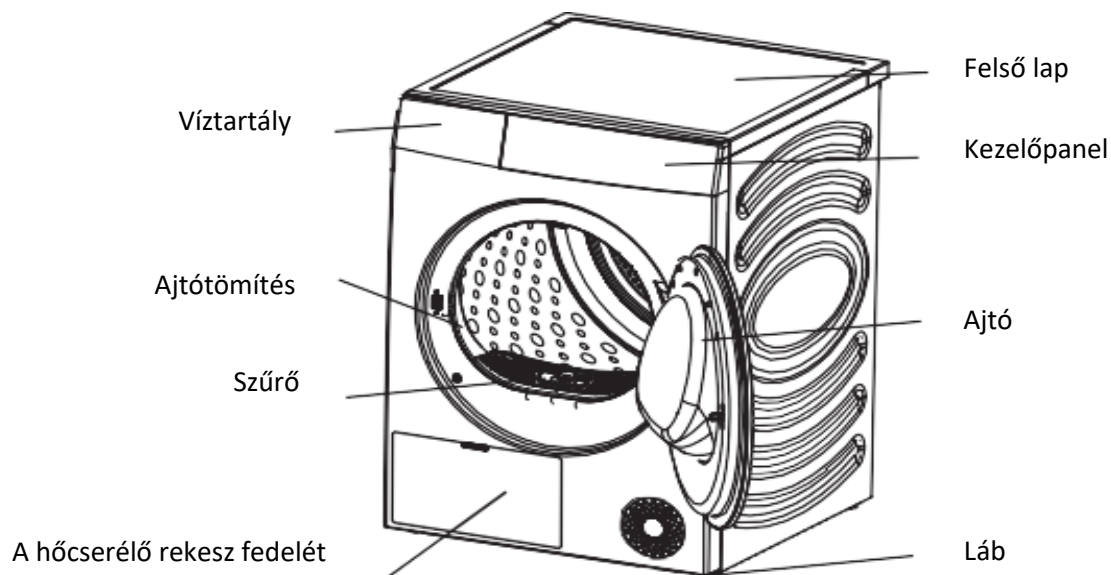
- Ne igyon, és ne készítsen ételt a kondenzátummal/desztillált vízzel. Ez egészségügyi problémákat okozhat az emberek és a háziállatok számára.
- Azonnal vegye ki a ruhákat a készülékből, ha a szárítás befejeződött, vagy ha a szárítási folyamat közben kikapcsolják az áramellátást. A tűzveszély elkerülése érdekében ne hagyja felügyelet nélkül a készülékben szárított ruhákat. A szárítás után a készülékből ki nem vett ruhák tüzet okozhatnak. Szárítás után azonnal vegye ki a ruhákat, majd akassza fel vagy terítse szét őket hűlni.
- Ne próbálja meg használni a készüléket, ha az sérült, meghibásodott, részben vagy hiányosan szétszerelt, vagy ha a készülék alkatrészei (például a tápkábel vagy a kábeltartó) sérültek.
- Ne kísérelje meg a készülék bármelyik panelének leválasztását vagy a készülék szétszerelését. Ne használjon éles tárgyakat a kezelőpanel gombjainak működtetéséhez.
- Soha ne nyúljon bele a készülékbe működés közben. Várja meg, amíg a dob megáll.
- Vízáramlás esetén válassza le a készüléket az elektromos hálózatról, és forduljon az értékesítés utáni szervizközponthoz.
- Ne nyomja meg a készülék ajtaját, amikor az nyitva van.
- Ne érintse nedves kézzel a készülék kezelőpanelét vagy kezelőgombjait.
- Ne hajlítsa meg túlzottan a tápkábelt, és ne helyezzen rá nehéz tárgyakat.
- Ne hagyja a foszlányokat összegyűlni a ruhaszárító gépben.
- Nu lăsați în zona de sub aparat și din jurul acestuia materiale combustibile, cum ar fi fibre, hârtie, cârpe, substanțe chimice etc.
- Deoarece uscătorul este greu, v-ați putea răni dacă încercați să-l ridicați. Nu ridicați uscătorul de rufe fără ajutorul unei alte persoane.
- Există pericolul să vă tăiați la mâini în muchiile ascuțite ale uscătorului. Nu țineți uscătorul de marginile ascuțite ale acestuia.
- A szárító kiálló alkatrészei eltörhetnek, ha a szárítót felemelik vagy tolják.
- Ne mozgassa a szárítót a kiálló részeknél fogva.
- Ellenőrizze, hogy a szárító nem sérült-e meg szállítás közben. Soha ne használjon sérült szárítót.
- A szárítóban maradt víz megfagyhat és károsíthatja a szárítót.
- Ne helyezze a szárítót olyan helyiségbe, ahol fennáll a fagyás veszélye.
- A készülék R290 hűtőfolyadékot tartalmaz, amely bár környezetbarát, de gyúlékony. Ha nem megfelelően ártalmatlanítják, tüzet vagy mérgezést okozhat. A készüléket megfelelően ártalmatlanítsa, és ne sértse meg a hűtőkör csöveit.

FIGYELMEZTETÉS: A szárítási ciklus befejezése előtt ne állítsa meg a ruhaszárítót, csak abban az esetben, ha a ruhákat hamar kiveszi a gépből, és a hőelosztás érdekében kiteríti.

FIGYELMEZTETÉS: A szellőzőnyílásokat tartsa szabadon, akkor is, ha a készülék be van építve.

- Magasabb szárítási hőmérsékleten az ajtóüveg felmelegszik. Legyen óvatos az égési sérülések elkerülése érdekében. Ne engedje, hogy gyermekek az ajtóüveg közelében játsszanak.
- A szárítógép hátulja működés közben nagyon felforrósodhat. Várja meg, amíg a szárítógép lehűl, mielőtt megérintené a szárítógép hátulját.
- Ha szárítás közben kinyitja a szárító ajtaját, a ruhái nagyon felforrósodhatnak és égési sérüléseket okozhatnak.

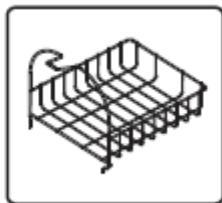
4. A TERMÉK LEÍRÁSA



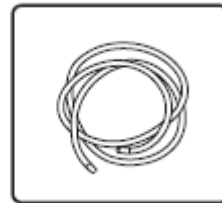
Tartozékok



Felhasználói
kézikönyv



Szárítóállvány



Lefolyócső

5. ÜZEMBE HELYEZÉS

- A biztonságos használat érdekében a ruhaszárítót szakképzett szakemberrel kell megfelelően beszerezni.
- A helytelen telepítés okozta javítási munkálatokért a felhasználó felel.

Telepítés előtti óvintézkedések

Telepítési körülmények

- A készüléket olyan helyre ajánlott telepíteni, amely megfelel a következő jellemzőknek: felül 25 mm, bal és jobb oldalon 20 mm, hátul 50 mm.

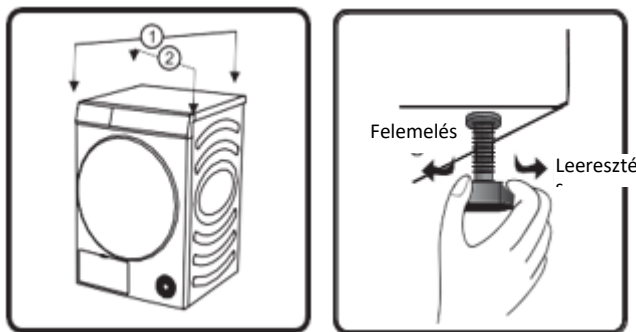
Az üzembe helyezésre vonatkozó követelmények

- Kérjük, a szárítót száraz, jól szellőző helyen, sík, szilárd padlón helyezze el. Ne helyezze a készüléket szőnyegre, kartonra vagy közvetlen napfényre.

- A szárítógép működési hőmérséklete 5 °C - 35 °C közötti tartományban van. Ne helyezze a készüléket 0 °C alatti hőmérsékletű helyiségekbe vagy magas hőmérsékletű helyiségekbe. A készülék 23 °C-os környezeti hőmérsékleten működik a legjobban.
- A készülék kezelése során a készülék dőlésszöge nem haladhatja meg a 45°-ot; kezelés után legalább 2 órán keresztül hagyja a készüléket kihúzza a hálózathoz.
- A szárítót nem szabad sütők, tűzhelyek és más hőt kibocsátó berendezések, valamint hűtőberendezések közelében elhelyezni. A szárító hátsó részének jól szellőznie kell.
- Ajánlott a szárítógépet a mosógép közelében elhelyezni, hogy megkönnyítse a ruhák szárítását a szárítás után.
- A készüléket kemény, sík padlóra kell telepíteni. A padló megengedett legnagyobb lejtése a készülék alatt 1 fok.

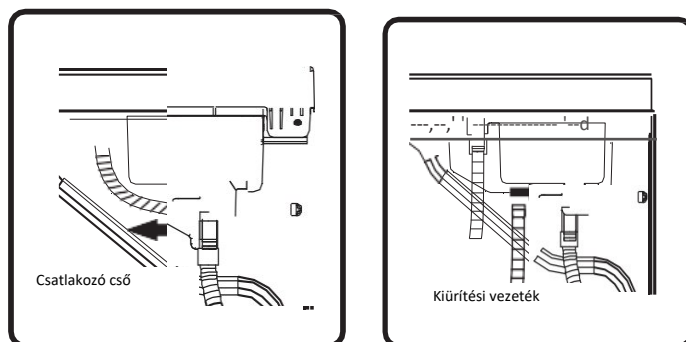
Állítható láb

- Nyomja meg a szárító felső sarkait, hogy megbizonyosodjon arról, hogy stabil.
- Ha a szárítógép billeg, forgassa el az alján lévő négy állítható lábat, hogy a megfelelő magasságba állítsa őket, és biztosítsa, hogy a szárítógép stabilan álljon.
- Ne próbálja meg a padló egyenetlenségeit úgy korrigálni, hogy fadarabokat, kartondarabokat vagy hasonló anyagokat helyez a készülék alá.



A lefolyócső felszerelése

- A ruhaszárításból származó kondenzvíz általában a víztartályban tárolódik, amelyet minden program után ki kell üríteni. Ha a szárítógép telepítési helye közel van a lefolyóhoz, vagy ha a szárítógép a mosógép fölött van elhelyezve, akkor egy lefolyócsövet lehet felszerelni, amely a vizet közvetlenül a lefolyóba vezeti.
- Távolítsa el a csatlakozócsövet a víztartály hátuljáról, és szerelje fel a lefolyócsövet az alábbi ábrán látható módon. Kérjük, győződjön meg arról, hogy a csatlakozó megfelelően van-e felszerelve.
- Kérjük, a lefolyócső másik végét a cső csavarása vagy lapítása nélkül helyezze be a lefolyócsőbe. Ha a cső



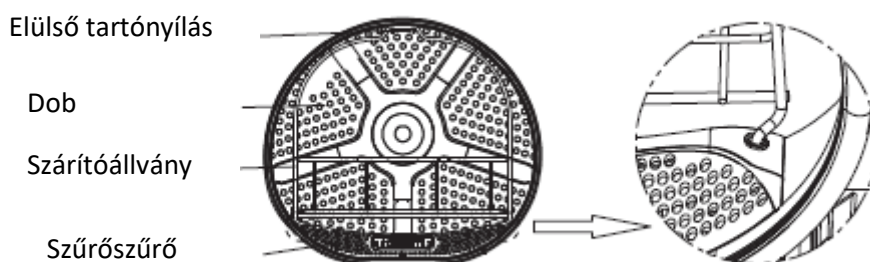
túl hosszú, kérjük, vágja le a felesleges részt.

- A lefolyócső nem lehet magasabb, mint a szárító, mert ebben az esetben a víz nem tud távozni.
- Ne tegye a lefolyócső végét a felgyülemlött vízbe, mert ez visszaáramlást okozhat.

- A leeresztőcső megfelelő felszerelése után a kondenzvíz közvetlenül elvezethető anélkül, hogy minden használat után ki kellene üríteni a víztartályt.

Szárítóállvány

- Ha cipőt, plüssjátékot stb. szeretne szárítani, használhatja a szárítóállványt.
- Ruhák szárításakor vegye ki a szárítóállványt.
- A szárítóállvány felszerelése: Kérjük, döntse ferdén a szárítóállványt úgy, hogy az alsó végét a szűrőben lévő két lyukba, a felső végét pedig az elülső állványon lévő nyílásba akassza be.



Csatlakoztatás a tápegységhez

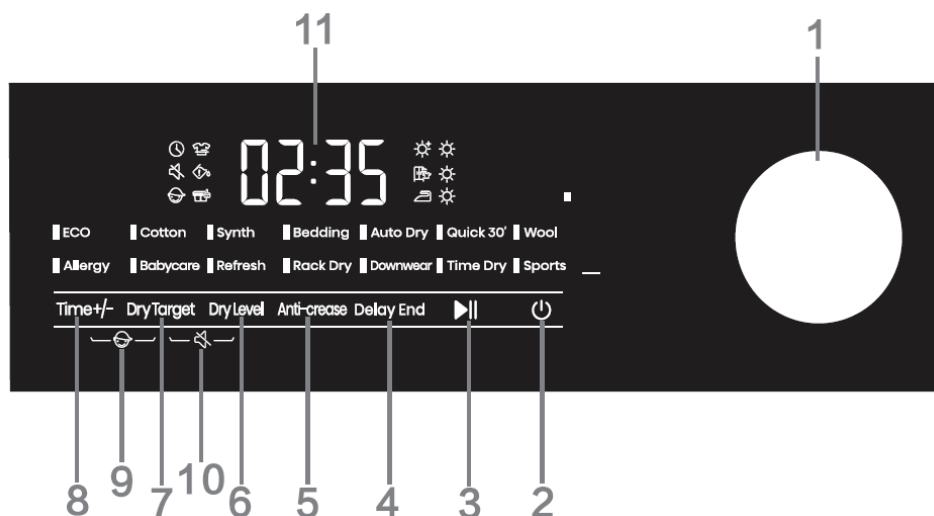
- Győződjön meg arról, hogy az áramellátás megfelel a szárító áramellátási követelményeinek.
- A szárítót megfelelően és biztonságosan kell földelni.
- Ne használjon többdugós vagy többcélú konnektort másodlagos csatlakoztatásra.

MEGJEGYZÉS: Minden használat után válassza le a készüléket az áramforrásról.

A készülék egymásra helyezése

- A szárító mosógépre is felszerelhető, 486 mm-es oldallapot használva.
- Átlapolás esetén a készüléket az erre a célra szolgáló tartozékokkal kell rögzíteni. A beszereléssel kapcsolatban forduljon a műszaki szervizhez.
- A balesetek elkerülése érdekében a szárítógépet a mellékelt tartozékok nélkül nem szabad a mosógépre szerelni.
- Biztonsági okokból szükséges, hogy a beszerelést két vagy több személy együtt végezze. A készülék súlya és a munkamagasság miatt a szerelési művelet túlságosan kockázatos ahhoz, hogy egy személy végezze el.
- A felületnek, amelyre a készüléket helyezük, tisztának és vízszintesnek kell lennie.
- A két egymásra helyezett készüléknek 50-200 mm távolságra kell lennie a faltól.

6. A TERMÉK HASZNÁLATA



1. Forgatható gomb

Ez a gomb a programok kiválasztására szolgál.

2. Bekapcsolás

Nyomja meg ezt a gombot a szárítógép bekapcsolásához vagy kikapcsolásához.

3. Start/Pause (Indítás/Megállítás)

Nyomja meg a Start/Pause gombot a program szüneteltetéséhez vagy indításához.

4. DelayEnd (Késleltetett programbefejezés)

Ezzel a funkcióval késleltetheti a program végét.

A programok és funkciók kiválasztása után időpontot egyeztethet. A "DelayEnd" gomb megnyomásával növelheti vagy csökkentheti a program befejezésének késleltetésének időtartamát. Az időtartam minden egyes megnyomással 1 órával módosul, és a választható maximális időtartam 24 óra.

A késleltetés időtartama a program befejezéséig eltelt idő, beleértve a teljes program futási idejét is. A program befejezésének késleltetési idejének tehát hosszabbnak kell lennie, mint a program futási ideje.

A késleltetés ideje alatt a funkcióhoz tartozó ikon világít. Amikor a késleltetési idő letelik, az ikon kialszik, és a program befejeződik.

A program indítása előtt a késleltetés törölhető egy másik program kiválasztásával vagy más funkciógomb megnyomásával.

Ha a program már elindult, és a késleltetési funkciót törölni szeretné, kapcsolja ki, majd indítsa újra a szárítógépet.

5. Anti crease (Gyűrődésgátló)

Ha a ruhákat nem tudja azonnal kivenni a szárítás után, válassza a gyűrődésgátló funkciót. A funkció során a dob szakaszosan forog, hogy csökkentse a ruhák gyűrődését.

A gyűrődésgátló funkció kikapcsolásához érintse meg bármelyik gombot, vagy nyissa ki az ajtót. Ha nem nyomja meg egyik gombot sem, a program alapértelmezés szerint 12 óra elteltével automatikusan befejeződik.


Ennek az ikonnak a világítása jelzi, hogy az anti-squelch funkció aktiválva van.


Ez a funkció a szárítási folyamat végéig kiválasztható.


6. Dry level (Szárítási fokozat)


A szárítási fokozat 3 szintre oszlik, amelyeket 1-től 3-ig terjedő nap ikonok jeleznek a kijelzőn. Lehetővé teszi a ruhák megfelelő szárítását azok mennyiségétől és anyagától függően.

7. Drytarget (Szárítási hatás)

Ez a gomb a szárítási hatás kiválasztására szolgál. Az alapértelmezett beállítás a . Nyomja meg a gombot, és válassza ki a szárítási szintet.

 - azt jelenti, hogy a ruhákat szárítás után tárolni lehet.

 - azt jelenti, hogy a ruhák szárítás után azonnal viselhetők.

 - azt jelenti, hogy a ruhák kis mennyiségű vizet tartalmaznak és vasalhatók.

8. Time (Idő)

A program indítása előtt ez a funkció megnövelheti vagy lecsökkentheti az adott program szárítási időtartamát. A program indítása előtt ez a funkció megnövelheti vagy lecsökkentheti az adott program szárítási időtartamát.

9. Gyermekebiztonsági zár

A gyermekek általi félrekezelés elkerülése és védelmük érdekében ez a szárító gyermekebiztos zárral van ellátva.

A program indítása után egyszerre nyomja meg és tartsa lenyomva a „Time+/-” + „Dry target” gombokat. A gyermekezár funkció aktiválódik, és a gyermekezár ikon világít. A gyermekezár funkció ugyanezzel az eljárással kikapcsolható.

A gyermekezár aktiválása után a gombok zárolódnak. Ha a program a tápellátás kikapcsolása után befejeződik vagy újraindul, a gyermekezár aktív marad.

A gyermekezár funkció aktiválása után: nyomja meg a „Start/Pause” gombot a figyelmeztetés visszavonásához, ha megjelenik a vízkő és a törmelék eltávolítására vonatkozó üzenet. A szálkamentesítő program működése közben a gyermekezár funkció kikapcsolását manuálisan kell elvégezni, és a szálkamentesítő program automatikusan megszűnik.

10. Mute (Hangjelzések kikapcsolása)

Ez a gomb a hangjelzések be- vagy kikapcsolására szolgál, kivéve a figyelmeztető hangjelzéseket.

Bekapcsolás után vagy készenléti állapotban nyomja meg és tartsa lenyomva a „Dry Target” és „DryLevel” gombokat, hogy aktiválja vagy deaktiválja a hangjelzéseket.

11. Kijelző

A hátralévő idő, a programozási idő, a hibakódok és egyéb programinformációk megjelenítésére szolgál.

A megjelenített programidő eltérhet a tényleges futási időtől. A tényleges szárítási idő automatikusan beállítódik, olyan tényezők függvényében, mint a ruhák típusa, a töltet, a csavarás utáni víztartalom és a környezeti hőmérséklet.

A program végén a „Vége” üzenet jelenik meg a kijelzőn.

Tartálylámpa

Ez a szárítógép kádlámpával van felszerelve. Amikor a készülék készenléti állapotban vagy működés közben van (forgassa el a gombot, nyomja meg bármelyik gombot vagy nyissa ki az ajtót), amikor egy program megszakad vagy egy program végén a kádlámpa automatikusan bekapcsol és 1 percig világít, hogy a kád belsejébe láthasson, majd automatikusan kikapcsol.

Kikapcsolás, amikor a ruhák megszáradtak

Ez a szárítógép kikapcsol, amikor a ruhák megszáradtak. Ha a ruhatöltet kicsi, előfordulhat, hogy a program még nem ért véget, de a ruhák már megszáradtak. Ekkor a program automatikusan befejeződik, hogy energiát takarítson meg.

Programok táblázata

Programok	Leírás	Maximális kapacitás:
Cotton (Pamut)	Használja ezt a programot vastagabb és kevésbé érzékeny, nagyjából azonos vastagságú pamutruhákhoz. A program végeztével megszáradnak.	9 kg
Synthetics (Szintetikus)	A program érzékeny műszál szennyes ruhák szárítására szolgál.	4,5 kg
Eco	Ezt a programot normál pamutruhák szárítására használja.	9 kg
Bedding (Ágynemű)	Használja ezt a programot nagyobb méretű ruhadarabokhoz. A program végeztével a ruhadarabok megszáradnak. A dob forgásának beállítása megakadályozza, hogy a szennyes összecsomósodjon.	2,5 kg
Downwear (Bolyhos termékek)	Használja ezt a programot kitömött vagy pelyheplappal bélelt textíliák (párnák, paplanok, kabátok stb.) szárításához. Szárítsa külön a nagyméretű tárgyakat, és szükség esetén használja az Extra Dry funkciót vagy a szárítási programot kézi időbeállítással.	2 kg
Sportwear (Sportruházat)	Használja ezt a programot membránruhákhoz, vegyes anyagokból készült sportruházathoz és olyan szövetekhez, amelyek lehetővé teszik a légáramlást.	2 kg
Auto Dry (Automata szárítás)	Használja ezt a programot vastagabb és kevésbé érzékeny, nagyjából azonos vastagságú pamutruhákhoz. Befejezés után szárazak vagy enyhén nedvesek lesznek.	4,5 kg
Baby care (Baba termékek)	Használja ezt a programot babaruhák szárítására. A program végeztével ezek a ruhadarabok megszáradnak.	2 kg
Allergy care (Antiallergiás)	Az allergén anyagok, például a poratkák eltávolítására.	2 kg
Quick 30 (Rövid program 30')	Könnyű és vékony ruhák gyors szárításához.	0,5 kg
Refresh (Frissítés)	A hőszivattyú ebben a programban nem működik. A program alkalmas a szennyes ruhák felfrissítésére.	/
Wool (Gyapjú)	Ez a rövid program a gyapjú- és selyemruhadarabok szárítására szolgál a gyártó utasításai szerint.	1 kg
Rack dry (Szárítás a tartón)	E program használatakor a szárítandó tárgyakat (pl. kis plüssállatok, tornacipők stb.) a szárítóállványra helyezheti.	/
Time dry (Szárítás kézi időbeállítással)	Ezt a programot a kevésbé érzékeny, még kissé nedves, alapos szárítást igénylő szennyes ruhákhoz használja. Az időtartam kézi beállítását lehetővé tevő programban a maradék nedvesség nem kerül automatikusan felismerésre. Ha a program befejezése után a szennyes még mindig nedves, ismétlje meg a programot; ha túl száraz, ezért gyűrött és durva, akkor a kiválasztott szárítási idő túl hosszú volt.	/

Tippek a ruhaszárításhoz

- A ruhákat alaposan ki kell csavarni, mielőtt a szárítóba tesszük őket. Az energiatakarékosság érdekében növelje a mosógép centrifugálási sebességét 1000 fordulat/perc fölé.
- Kérjük, rázza fel a ruhákat, mielőtt a szárítóba teszi őket.
- Az optimális szárítási hatás elérése érdekében kérjük, válogassa szét a ruhákat, és válassza ki a megfelelő szárítási programot. Az egyes programok megfelelnek a maximális terhelési követelményeknek. Ne terhelje túl a gépet.
- Szárítás után időben tisztítsa meg a szűrőt a szöszöktől és a törmelékektől.
- Kis mennyiségű ruha szárításakor ajánlott olyan programot használni, amely lehetővé teszi a szárítási idő kézi beállítását.
- Ne szárítsa a szoros ruhákat, mert a megkeményedés csökkenti a szárítási hatást.
- A könnyen fakuló ruhákat külön kell szárítani.
- Vegyes ruhatöltet esetén a szárítási idő meghosszabbodhat, és a hátralévő szárítási idő kijelzése megszakadhat. A hátralévő idő továbbra is megjelenik, ha az információ a tényleges hátralévő időt tükrözi.

Előkészületek a ruhák szárítása előtt

- Szárítás előtt ellenőrizze a ruhadarabok címkéit, hogy azok alkalmasak-e a szárításra.
- Ūrítse ki a zsebeit, és távolítsa el az érméket, tűket, kulcsokat és egyéb tárgyakat, hogy elkerülje a ruhák károsodását.
- Zárja be a cipzárat, gombolja be a gombokat és húzza meg a pántokat. A cipzárok és gombok szárítás közbeni zajának elkerülése érdekében kérjük, fordítsa ki a ruháit, mielőtt a szárítóba teszi őket.
- Győződjön meg arról, hogy a víztartály kiürült, és hogy a szosz- és maradékszűrő megfelelően ki lett tisztítva és fel lett szerelve.

MEGJEGYZÉS

- A ruhák szárítási ideje automatikusan a következő tényezőknek megfelelően kerül beállításra:
- a ruhák típusa, a töltet, a csavarás utáni víztartalom és a környezeti hőmérséklet.
- Kérjük, ellenőrizze a ruhadarabok címkéit, hogy a ruhadarabok száríthatók-e a sérülések elkerülése érdekében.
- A különböző textúrájú és vastagságú ruhák egyidejű szárítása eltérő szárítási eredményeket eredményez.
- A felhasználók preferenciáiknak megfelelően választhatják ki a megfelelő programot. Ha a ruhák nem teljesen szárazak, egy további szárítási program választható, amely lehetővé teszi a szárítási idő kézi beállítását.
- Nagyméretű textíliák, például ágyneműk és takarók szárításakor a nagy terhelés miatt azok összecsomósodhatnak, ami befolyásolhatja a szárítási eredményt. Kérjük, vegye ki és rázza ki őket, mielőtt a szárítás folytatásához beteszi őket a szárítóba.
- Kérjük, szárítás előtt fordítsa ki a levetett ruhákat.

7. TISZTÍTÁS ÉS KARBANTARTÁS

A rendszeres karbantartás meghosszabbíthatja a szárító élettartamát. A karbantartás elvégzése előtt feltétlenül kapcsolja ki az áramellátást.

A szárító külseje

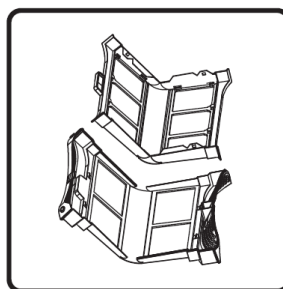
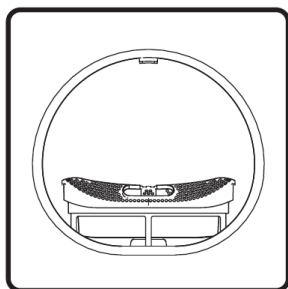
- Tisztítsa meg a ház felületét puha, nedves ruhával, nem maró hatású háztartási tisztítószerrel.
- Ezután törölje át puha, száraz ruhával.

Ajtótömítés

- Rendszeresen ellenőrizze az ajtótömítést, és ha szükséges, nedves ruhával tisztítsa meg.
- Használat után hagyja az ajtót résnyire nyitva, hogy szellőzni és száradni tudjon.

Tisztítsa meg a szosz- és törmelékszűrőt

- A szűrőn felhalmozódott túlzott mennyiségű szosz befolyásolja a szárítási folyamat eredményét. Kérjük, minden használat után tisztítsa meg a szűrőt.
- A tisztítás után a készülék használata előtt feltétlenül helyezze vissza a szűrőt a helyére.



1. Nyissa ki az ajtót, és vegye ki a szűrőt az előlő tartóból.
2. Nyissa ki a szűrőt, és nedves törülközővel vagy folyó víz alatt távolítsa el a szoszokat a kétrétegű szűrőről.




3. Miután a szűrő megszáradt, szerelje a helyére.

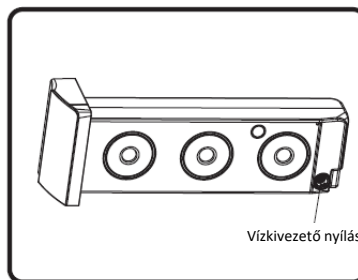
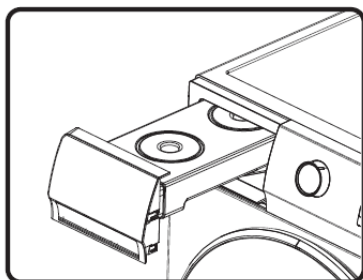
4. Szerelje fel a szűrőt az első konzolra.

Megjegyzések:

- Az első tartó alsó része hőmérséklet-érzékelővel van felszerelve. A szőszszűrő eltávolítása után ügyeljen arra, hogy ne érintse meg az érzékelőt, nehogy megkarcolja azt.
- A szűrő visszahelyezésekor a megfelelő irányban és pozícióban szerelje be a szűrőt.
- Ne használja ezt a szárítót, ha a szűrő nincs megfelelően felszerelve.

A víztartály tisztítása

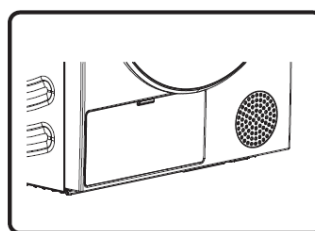
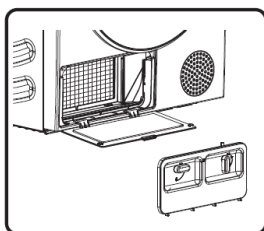
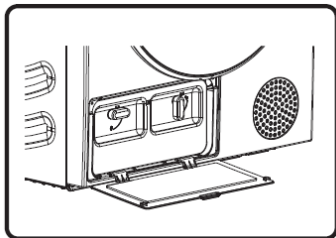
- Ha a lefolyócső nincs beszerelve, a szárításból származó kondenzvíz felgyülemlik a víztartályban. Kérjük, hogy a program befejezése után időben ártalmatlanítsa.
- Működés közben, ha a víztartály megtelik, a kijelzőn villog az  ikon. Kérjük, azonnal ürítse ki a víztartályt.
- A kondenzvíz nem iható.



- A kondenzvíz kifolyásának elkerülése érdekében vízszintes helyzetben vegye ki a víztartályt.
- Dobja ki a kondenzvíz és helyezze vissza a víztartályt.

A hőcserélő tisztítása

Kérjük, rendszeresen tisztítsa meg a hőcserélőt. Ellenkező esetben a szárító teljesítménye romlik.



1. Nyomja meg a hőcserélő rekesz fedelének kapcsát a fedél kinyitásához.

2. Fordítsa az alapszűrőfedél zárógombját a feloldási helyzetbe.

Használati idő után, ha a hőcserélőn por gyűlik össze, kérjük, távolítsa el. A sérülések elkerülése érdekében ne érintse meg közvetlenül a hőcserélőt a kezével.

3. Helyezze vissza a megtisztított szűrőt és a szűrőfedelelet az eredeti helyére, zárja be a gombot, és zárja be a hőcserélő rekesz fedelét.

8. HIBAEHÁRÍTÁS

Ha a gép nem működik rendesen, nem biztos, hogy hibás működésről van szó. Kérjük, tekintse meg az alábbi hibaelhárítási módszereket. Ha a hiba az ajánlott hibaelhárítási módszerek alkalmazása után is fennáll, húzza ki a hálózati csatlakozót, és forduljon hozzánk az értékesítés utáni szervizhez.

Probléma	Javasolt módszer
A szárító nem kapcsolható be	<ul style="list-style-type: none"> * Ellenőrizze a hálózati csatlakozást. * Győződjön meg róla, hogy megnyomta a „Start/Start” gombot. * Győződjön meg róla, hogy az ajtó megfelelően zárva van. * A lakás elektromos biztosítója kiégett, a megszakító kioldott, vagy áramkimaradás történt.
A szárítógép nem kapcsolható be, és a kijelzőn a „End” felirat jelenik meg.	<ul style="list-style-type: none"> * Győződjön meg arról, hogy a programbeállítás helyes. * Győződjön meg róla, hogy vannak-e ruhák a kádban.
Túl hosszú szárítási idő	<ul style="list-style-type: none"> * Győződjön meg arról, hogy a programbeállítás helyes. * Győződjön meg róla, hogy a kádban lévő ruhák nincsenek összezsúfolva. Győződjön meg róla, hogy a szűrő tiszta. * Egyes programoknál a gép a szárítás után levegőellátást végez a hűtéshez.
Nem kielégítő szárítási eredmény	<ul style="list-style-type: none"> * Győződjön meg róla, hogy a ruhák ki lettek-e csavarva. * Győződjön meg arról, hogy a programbeállítás helyes. Győződjön meg róla, hogy nincs túl sok ruha. * A ruhadarabok nem lettek megfelelően szétválogatva. A nehezen száradó ruhák összekeveredtek a könnyen száradó ruhákkal. * Nagy rakomány nehéz textíliák. Győződjön meg róla, hogy a szűrő tiszta.
A program befejezéséig hátralévő idő megáll vagy helytelenül változik	<ul style="list-style-type: none"> * A maradék hőmérséklet a ruhanemű típusától, a rakománytól, a csavarás utáni víztartalomtól és a környezeti hőmérséklettől függően változik, ami normális jelenség.
A ruhák gyűrűttek	<ul style="list-style-type: none"> * Túl sokáig szárították a hajszálakat. Próbálkozzon rövidebb szárítási idővel. A ruhadarabok túl sokáig maradtak a gépben a program befejezése után.
A szárítógép túl zajos	<ul style="list-style-type: none"> * Ellenőrizze, hogy a kádban nincsenek-e érmék, laza gombok, szögek és egyéb tárgyak, és azonnal távolítsa el azokat. * Ellenőrizze a szösszűrőt. Távolítsa el a szösszűrőbe szorult tárgyakat. * Győződjön meg arról, hogy a szárítógép kiegyensúlyozottan és stabilan áll a padlón. * A szárítógép zúghat a dobon és a ventilátoron keresztül keringő levegő miatt. Ez normális.
A ruhák összemennek.	<ul style="list-style-type: none"> * A ruhák ápolására vonatkozó utasításokat nem követik. Használjon alacsony hőfokot, vagy olyat, amely nem használ hőt a szárításhoz.
A ruhákon marad a szössz.	<ul style="list-style-type: none"> * A szösszűrőt nem tisztították ki megfelelően. * A ruhákat nem válogatták ki megfelelően. * Egyes szövetek több szösszt hagynak maguk után, és azokat külön kell szárítani azoktól a szövetektől, amelyekhez könnyen tapadnak a szösszök. * Zsebkendők, papírok stb. maradtak a zsebekben.
A gép kellemetlen szagot áraszt.	<ul style="list-style-type: none"> * A szagot a gép belsejében lévő alkatrészekben található gumi okozza. Ez a fajta szag sajátos gumi szag, és a gép többszöri használata után magától eltűnik. * Ruhák mosásakor a gyártó ajánlásainak megfelelő mosószert használjon. Ha az ajánlások betartása nélkül túl sok mosószert használ, a fel nem oldott mosószer felhalmozódhat a ruhákon, és szagot okozhat.

	<p>*Szagot érezhet a ruhákból, ha azok szárítás után a gépben maradtak, vagy mosás után a mosógépben maradtak. A szárítási vagy mosási ciklus végén azonnal vegye ki a ruhákat.</p> <p>*Győződjön meg róla, hogy a mosógépben is ugyanazt a szagot érzi. Ebben az esetben tisztítsa ki a mosógép kádját a mosógép használati útmutatója szerint.</p> <p>*Mindig győződjön meg arról, hogy mindkét szőszszűrő tiszta. Ha szárítás után maradványok maradnak a szőszszűrőben, azok szagokat okozhatnak. A tisztítás után a szőszszűrőt is alaposan meg kell hagyni száradni.</p>
A gép közvetlenül az áramellátás megszakadása után bekapcsol és bekapcsol, de nem működik.	*Ha a program szünetel, a beállított funkciók nem módosíthatók. Ha egy programot vagy funkciót működés közben meg kell változtatni, vagy ha a gépet működés közben kikapcsolják, és újra be kell kapcsolni, akkor a gombot fordítsa a „Ki” állásba, majd a gombot ismét elforgatva válassza ki a kívánt programot és funkciót, végül kapcsolja be a programot.

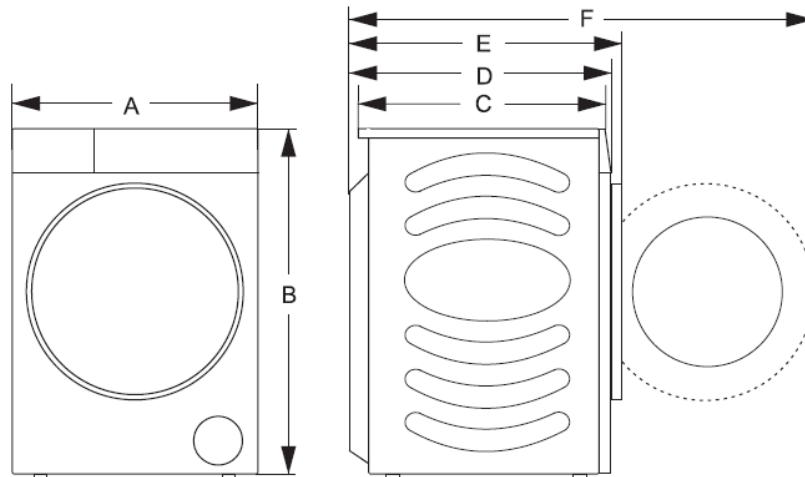
Hibakódok

Kód	Probléma	Javasolt módszer
F50/F51	A szenzor meghibásodása	*Kérjük, forduljon hivatalos szervizhez.
F22	A kijelzőpanel motor és tápegység meghibásodása	* Nyomja meg 3 másodpercig a bekapcsológombot, majd nyomja meg újra a „start/szünet” gombot. *Ha a probléma továbbra is fennáll, kérjük, forduljon hivatalos szervizhez.
F21	A kijelzőpanel és a tápkártya meghibásodása	*A szárító kikapcsolásához fordítsa a gombot „OFF” állásba, majd 10 másodperc múlva kapcsolja be újra. *Ha a probléma továbbra is fennáll, kérjük, forduljon hivatalos szervizhez.

Műszaki adatok

Termék	HHPD-HMK90IVFC+++
Szín	220-240V – 50Hz
Névleges	9 kg
Névleges teljesítmény	550 W
A termék méretei (szélesség x magasság x mélység)	595 x 685 x 845
Nettó súly	53 kg
Hűtőközeg	R290
Terhelés	125 g

Méretek	A	595 mm
	B	845 mm
	C	590 mm
	D	640 mm
	E	685 mm
	F	1170 mm



A táblázat az energiafogyasztási értékeket és a szárítási időtartamokat mutatja egy tesztruha-adag esetén, amelyet különböző mennyiségekben és előzetes centrifugálással mostak ki a mosógépben.

A megadott fogyasztási értékekre az alábbi feltételek vonatkoznak.

Program	Névleges kapacitás	Spinning (rpm)	Programfogyasztás (kWh/ ciklus)	A program időtartama (h:m)	Végző nedvességtartalom (%)
Eco	9	/	1.72	03:28	1.5
Synthetics	4.5	1000	0.60	01:30	0.5
Cotton	9	1000	1.86	04:05	0.5
Wool	1	/	0.16	00:30	1.0

1. Az Eco programon kívüli programokhoz megadott értékek csak tájékoztató jellegűek.
2. A „Wool” (Gyapjú) program eredményei olyan gyapjúruházatra vonatkoznak, amelynek kezdeti nedvességtartalma 5%.
3. Az Eco program nedves pamut ruhák szárítására alkalmas, és ezt a programot használják az EU ökodizájn-szabályozásának való megfelelés értékelésére.
4. Az Eco program a leghatékonyabb program az energiafogyasztás szempontjából, ha nedves pamut ruhákat szárítunk vele.
5. A háztartási szárítógép maximális kapacitásának kihasználása az adott programok szerint hozzájárul az energiatakarékossághoz.
6. Az Eco program teljes terhelése esetén a szárítási ciklus léghang-kibocsátása: 64 dB.
7. A termékinformációk és a QR-kód az energiafogyasztási címkén található. A termék regisztrációs adatai a QR-kód beolvasásával érhetők el.
8. Az energiafogyasztás kikapcsolt állapotban: 0,5 W. Automatikusan kikapcsolási idő: 10 perc.

Figyelembe véve a ruhatípus és mennyiség, a centrifugálás, az áramforrás ingadozásai, valamint a környezeti hőmérséklet és páratartalom közötti eltéréseket, a felhasználó által mért értékek eltérhetnek a táblázatban megadottaktól.

A termék műszaki adatai a készülék műszaki adattábláján és az energiacímkéjén vannak feltüntetve.

A hűtőszekrény energiacímkéjén található QR-kód egy internetes linket biztosít a készülék teljesítményével kapcsolatos információkhoz, melyek az EPREL adatbázisban találhatóak.

Utólagos tanulmányozás céljából, őrizze meg az energiacímkét a használati útmutatóval valamint a készülék egyéb dokumentumaival együtt.

Úgyszintén, ezeket az információkat az EPREL adatbázisban is megtalálja. Ennek érdekében használja a következő linket: <https://eprel.ec.europa.eu> és adja meg a termék megnevezését és sorozatszámát, amelyeket a készülék műszaki adattábláján talál.

A termékével kapcsolatos információk eléréséhez az EPREL portálon beolvashatja az alábbi kódokat:



Köszönjük, hogy megvásárolta termékünket! Ha segítségre van szüksége a termékkel kapcsolatban, kérjük, látogasson el weboldalunkra az alábbi linkek segítségével.

Használati útmutatók beszerzése: <https://www.heinner.ro>

Javítási információk letöltése: <https://www.heinner.ro>

A hulladékok környezetfelelős eltávolítása



Segíthet a környezet védelmében!

Kérjük, tartsa be a helyi rendelkezéseket: a nem működő elektromos berendezéseket a használt elektromos hulladékokat gyűjtő központba szolgáltatassa be.



A **HEINNER** a **Network One Distribution SRL(KFT)** társaság által bejegyzett védjegy. A többi márkajelzés és a termékek megnevezése kereskedelmi vagy az illető birtoklók által bejegyzett márkanevek.

A leírtak egyetlen része sem használható fel semmilyen formában, még lefordított, átalakított változatban sem, a NETWORK ONE DISTRIBUTION előzetes beleegyezése nélkül.

Copyright © 2013 Network One Distribution. Minden jog fenntartva.

www.heinner.com, <http://www.nod.ro>



A terméket az Európai Közösség előírásainak és jogszabályainak megfelelően tervezték és gyártották.



Importőr: **Network One Distribution**

Marcel Iancu utca, 3-5 szám, Bukarest (București), Románia

Tel: +40 21 211 18 56, www.heinner.com, www.nod.ro

Ovaj dokument je originalno proizveden i objavljen od strane proizvođača, brenda Heinner, i preuzet je sa njihove zvanične stranice. S obzirom na ovu činjenicu, Tehnoteka ističe da ne preuzima odgovornost za tačnost, celovitost ili pouzdanost informacija, podataka, mišljenja, saveta ili izjava sadržanih u ovom dokumentu.

Napominjemo da Tehnoteka nema ovlašćenje da izvrši bilo kakve izmene ili dopune na ovom dokumentu, stoga nismo odgovorni za eventualne greške, propuste ili netačnosti koje se mogu naći unutar njega. Tehnoteka ne odgovara za štetu nanесenu korisnicima pri upotrebi netačnih podataka. Ukoliko imate dodatna pitanja o proizvodu, ljubazno vas molimo da kontaktirate direktno proizvođača kako biste dobili sve detaljne informacije.

Za najnovije informacije o ceni, dostupnim akcijama i tehničkim karakteristikama proizvoda koji se pominje u ovom dokumentu, molimo posetite našu stranicu klikom na sledeći link:

<https://tehnoteka.rs/p/heinner-masina-za-susenje-vesa-hhpd-hmk90ivfc-akcija-cena/>