

Uputstvo za upotrebu (EN)

HEINNER mašina za pranje veša HWM-HMK1014IVTA+++

HEINNER



Tehnoteka je online destinacija za upoređivanje cena i karakteristika bele tehnike, potrošačke elektronike i IT uređaja kod trgovinskih lanaca i internet prodavnica u Srbiji. Naša stranica vam omogućava da istražite najnovije informacije, detaljne karakteristike i konkurentne cene proizvoda.

Posetite nas i uživajte u ekskluzivnom iskustvu pametne kupovine klikom na link:

<https://tehnoteka.rs/p/heinner-masina-za-pranje-vesa-hwm-hmk1014ivta-akcija-cena/>

AUTOMATIC WASHING MACHINE

Model:

HWM-HMK1014IVTA+++



- Automatic washing machine
- Loading capacity: 10 kg
 - Energy class: A

HEINNER

1. INTRODUCTION

Please read the instructions carefully and keep the manual for future information.

This manual is designed to give all necessary instructions concerning installation, use and maintenance of the unit. In order to operate the unit correctly and safely, please read this instruction manual carefully before installation and use.

2. CONTENT OF YOUR PACKAGE

- ➔ **Automatic washing machine**
- ➔ **User manual**
- ➔ **Warranty certificate**

3. SAFETY MEASUREMENTS

Safety precautions

1. Before operating your new washing machine, please read these instructions carefully. Please do not throw away this user manual; keep it for future reference. You or somebody else might need it in the future.
2. Please make sure the socket is grounded securely; the water source connection is reliable.
3. Your machine is designed to be used domestically. Commercial use will cause your warranty to be cancelled.
4. The appliance is not intended for use by people (including children) with reduced physical, sensory or mental capabilities, or lack of experience and knowledge unless they have been given supervision or instruction concerning use of the appliance by a person responsible for their safety.
5. This appliance can be used by children aged 8 years and above and people with reduced physical, sensory or mental capabilities or lack of experience and knowledge if they have been given supervision or instruction concerning use of the appliance in a safe way and understand the hazards involved.
6. Children should be supervised to ensure that they do not play with the appliance. Children of less than 3 years should be kept away unless continuously supervised.
7. Keep your pets away from your machine.
8. If the supply cord is damaged, it must be replaced by the service agent or similarly qualified people in order to avoid a hazard.
9. Please check the packaging of your machine before installation, and the outer surface after the package is opened. Do not operate damaged machines or machines with an open package.
10. Have your machine installed only by an authorized person. Any interference to your machine by anyone other than an authorized person shall cause your warranty to be void.
11. Before operating the washing machine, remove the 4 transportation screws from the back of the machine. If the screws are not removed, it may cause heavy vibration, noise and product malfunction, (voiding the guarantee).
12. Your machine is not covered under warranty for faults caused by any kind of external factors (pesticides, fire, etc.)
13. The washing machine must only be installed in enclosed spaces. The necessary ambient temperature for your machine's ideal operation is 15-25°.
14. Use your machine only for laundry that has been specified as suitable for washing by the manufacturer.

15. Please ensure that the clothes you will place in your machine do not contain any foreign substances (nail, needle, coins, lighter, matches, clip etc.) in their pockets. These foreign substances can damage your machine.
16. It is recommended to perform the first washing operation in a short program and without laundry by inserting 30 ml of detergent into the main compartment of the detergent drawer.
17. As detergent or softener exposed to air for a long time may cause residues, put your detergent or softener in the detergent drawer at the beginning of every washing.
18. It is advised that you unplug your machine and close the water inlet tap if you will not use your machine for a long time. Also, leaving the door of your machine will prevent the formation of bad odors due to humidity.
19. The maximum permissible inlet water pressure, 1 MPa, for appliances intended to be connected to the water mains. The minimum permissible inlet water pressure, 0.1 MPa, if this is necessary for the correct operation of the appliance.
20. Some water might be left in your machine after the trials and tests conducted due to Quality Control procedures. This will not damage your machine.
21. Remember that the packaging materials of your machine may be dangerous for children.
22. Keep the packaging materials in a place where children cannot reach or dispose of them appropriately.
23. Use pre-wash programs only for very dirty laundry.
24. Never open the detergent drawer when the appliance is running.
25. In case of any breakdown, unplug the appliance first and then turn the tap off. Do not attempt to repair by yourself, always contact me for authorized service advice.
26. The amount of laundry you put in your washing machine should not exceed the maximum amount indicated.
27. Never force the door to open when the machine is running.
28. Washing floury clothes in your machine damages the machine. Do not wash floury clothes in your machine.
29. This appliance is intended to be used in the household and similar applications such as: kitchen staff areas in shops, offices and other working environments; farmhouses; by clients in hotels, motels and other residential type environments; bed and breakfast type environments; areas for communal use in blocks of flats or in laundrettes.

You must read these warnings. You can thus protect yourself and your beloved ones against fatal injuries and risks.

DANGER OF GETTING BURNT!

Do not touch discharging hose and water during discharging as the appliance may reach high temperatures when running.

DEATH RISK DUE TO ELECTRICAL CURRENT!

1. Do not use multiple receptacles or extension cords.
2. Do not plug in damaged plug sockets.
3. Never pull the cable when unplugging – always grip the plug itself.
4. Do not plug in or out the plug from the receptacle with wet hands to prevent electrocution!
5. Never touch the machine with wet hands or feet.
6. Call the nearest authorized service for a replacement if the power cord malfunctions.

DANGER OF FIRE!

1. Do not keep inflammable liquids near your machine.
2. The sulfur content of paint removers might cause corrosion. For this reason, never use paint-removing materials in your machine.
3. Never use products that contain solvent material (like washing gas) in your machine.
4. Remove all the objects in the pockets of your laundries (needle, paperclip, lighter, matches etc.) when placing them your machine.

Fire and Explosion risk may occur.

FLOODING RISK!

1. Check whether the water runs fast or not before placing the discharge hose on the sink.
2. Take necessary measures to prevent the slipping of your hose.
3. The backfiring force of a hose that is not placed appropriately can displace the hose. Prevent the stopper inside your sink from blocking the sink hole.

FALL AND INJURY HAZARD!

1. Do not climb on your machine. The upper table of your machine may break, and you might get injured.
2. Tidy the hose, cable and packaging of your machine during installation. You might trip over and fall.
3. Do not turn your machine upside down, or on its side.
4. Do not lift your machine by holding it from extruding parts (detergent drawer, door). These parts might break and cause you to get injured.
5. There's the risk of tripping and injury if the materials like hose and cables are not properly stored after your machine is installed. A machine must be carried by 2 people or more.

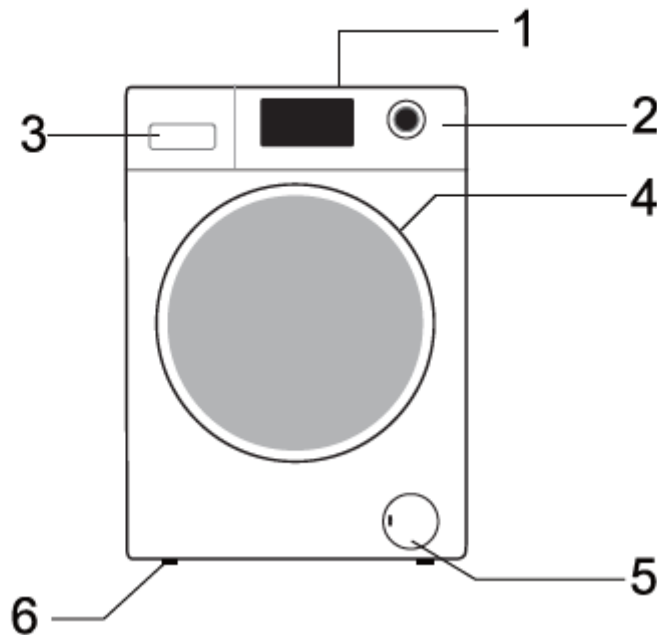
CHILD SAFETY!

1. Do not leave children unattended near the machine. Children might lock themselves up into the machine and death risk might occur. Children should be supervised to ensure that they do not play with the appliance. Children must not be allowed to play with the appliance or to climb into the drum.
2. Door glass and surface might be extremely hot while your machine operates. Thus, especially touching the machine might damage the skins of children.
3. Keep packaging material away from children.
4. Poisoning might occur if the detergent and maintenance materials are consumed, and eyes or the skin might be irritated if they come into contact with the skin. Keep the cleaning materials away from the reach of children.

SAVING INFORMATION

Some important information to get more efficiency out of your machine: The amount of laundry you put in your washing machine should not exceed the maximum amount indicated. By this way, your machine shall run in saving mode. Not using the pre-wash feature for little and normal-dirty laundry shall save electricity and water.

4. PRODUCT DESCRIPTION



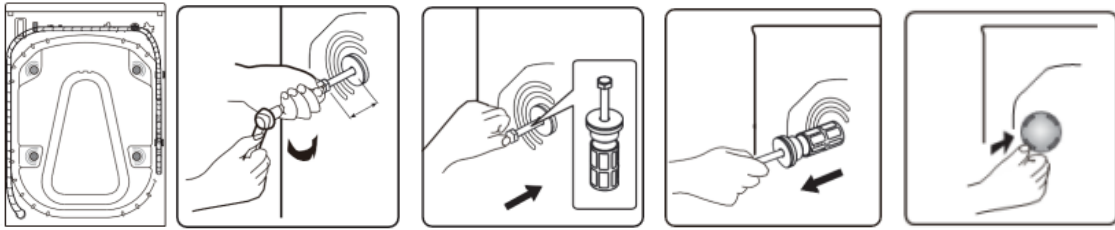
1. Worktop
2. Control panel
3. Detergent drawer
4. Door
5. Plinth covering pump access
6. Adjustable feet

5. INSTALLATION

Removing the transportation screws

1. Before operating the washing machine, remove the 4 transportation screws from the back of the machine. If the screws are not removed, it may cause heavy vibration, noise and product malfunction (voiding the guarantee).
2. For this reason, transportation safety screws shall be loosened by being rotated approx. 30 mm following the direction of the arrow shown using an appropriate wrench.
3. Push two transportation bolts in horizontal direction inward and loose transportation bolt.
4. Transportation screws shall be removed by pulling out.
5. To ensure safety and reduce noise, you should install the transportation bolt cover supplied with the unit (see the annex accompanying the unit). Lean and place the transportation bolt into hole and press it following the direction shown until it clicks.
6. The transportation safety screws should be stored to be used in case of transportation.

NOTE: You should absolutely remove the transportation screws of your machine before the first usage. Faults occurring in the machines operated with transportation screw fitted shall be out of scope of warranty.



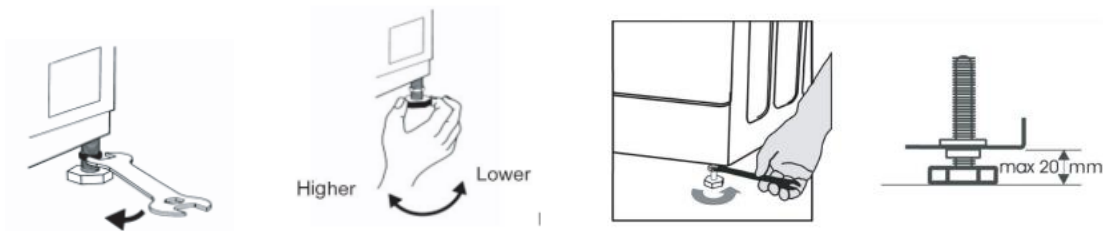
ADJUSTMENT

Do not install your machine on a carpet or on such grounds that would prevent the ventilation of its base. To ensure silent and vibration-free operation of your machine, it should be deployed on a non-sliding and firm ground. You can adjust the balance of your machine through the stays. Loosen the plastic adjustment locknut.

Do not install your machine on a carpet or on such grounds that would prevent the ventilation of its base. To ensure silent and vibration-free operation of your machine, it should be deployed on a non-sliding and firm ground. You can adjust the balance of your machine through the stays. Loosen the plastic adjustment locknut.

Lift the machine slightly and adjust the stays upward and downward by rotating them. After maintaining the balance, compress the plastic adjustment nut upward again.

Never put cardboard, wood or suchlike materials under your machine if you are intending to stabilize the distortions on the ground. When cleaning the ground, on which your machine rests, be careful not to stabilize the disorder.



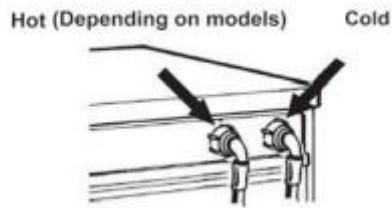
Electrical connection

- Your washing machine is set to 220-240V and 50Hz.
- The mains cord of your washing machine is equipped with a specific earthed plug. This plug should always be inserted into a earthed socket of 10 amps.
- The current value of the fuse should be 10 amps. Fuse current value of the power line connected to this plug should also be 10 amperes.
- If you don't have such a receptacle and fuse confirming with this, please have it done by a qualified electrician.
- We do not take responsibility of the damage that occurred due to ungrounded usage. NOTE: Operating your machine under low voltage will cause the life cycle of your machine to be reduced and its performance to be restricted.

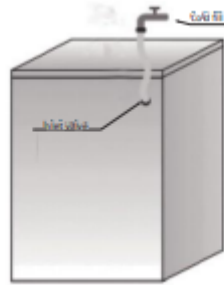
Water inlet hose connection

- Your machine may have either a single inlet (cold) or double water inlets (cold/hot) based on its specifications. White-capped hose should be connected to cold water inlet and red-capped hose to hot water inlet (applicable for machines with double water inlets).
- Mount new water inlet hoses to a $\frac{3}{4}$ ", threaded faucet.

- If the water inlet hose is not already installed, it must be screwed to the appliance. The blue marked hose is only for cold water. Depending on the model, the hot water hose marked with red should also be connected, for models having dual inlets. Screw by hand the inlet hose onto the tap, tightening the nut.



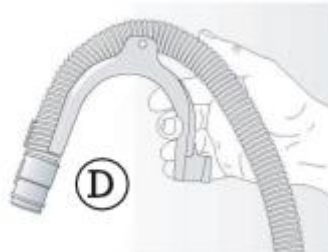
- Flow of water with a pressure of 0,1-1 Mpa will allow your machine to operate more efficiently. (0,1 Mpa pressure means that more than 8 litres of water will flow through a fully tapped faucet per one minute.)
- Ensure that points of contact do not leak by tapping the faucet completely after carrying making the connections.
- Ensure that the new water inlet hoses are not bent, broken, crushed and resized.
- Fix the inlet hose to the cold water tap and to the inlet valve on the rear side of the machine. Cold fill Inlet valve



Note: Use only the new water inlet hose coming with your machine while making water inlet connections of your machine. Never use old, used or damaged water inlet hoses.

Water discharge connection

- Never attempt to extend the water discharge hose by joining.
- Do not put discharging hose of your machine in a vessel, bucket.
- Make sure that the water discharge hose does not bend, buckle, be crushed or extended.
- Connect the drain hose to the drain or hook it over the edge of a sink by means of the "U" bend.
- Fit the "U" bend D, if not already installed, at the end of the drain hose.



- If the washing machine is connected to an integrated drainage system, ensure that the latter is equipped with a vent to avoid simultaneous loading and draining of water (siphoning effect).
- Ensure that there are no kinks in the drain hose. Secure the hose so that it cannot fall down. After washing the phase, the machine will drain out hot water.
- Small hand basins are not suitable.
- Fix the drain hose securely to prevent scalding during machine drainage

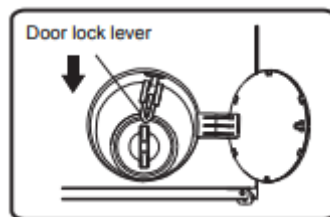


Emergency door opening

In case of failure to open the door due to power outage or other special circumstances, the door lock lever at the drainage pump door can be used for emergency opening.

Note:

1. Do not operate when the machine is working normally.
2. Before operation, please make sure that the inner barrel has stopped turning, without a high temperature, and the water level is lower than the clothing inlet. If the water level is higher than the clothing inlet, drain off water through the drain-away pipe (if available) or by slowly unscrewing the filter.
3. Operation method: Open the cover of drainage pump door, pull down the lock lever with the help of a tool, and then the door can be opened (indicated in the figure)

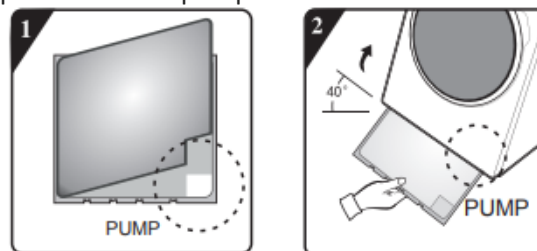


Install bottom cover

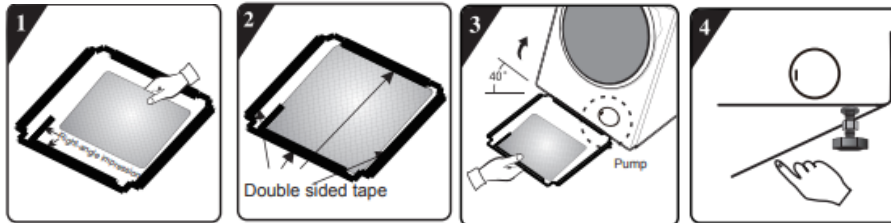
To realize quieter operation, a bottom cover is supplied with the unit. After installing the cover at the bottom of the washer, the noise level will be greatly reduced. Please ask for advice from specialists before installing the cover, nevertheless, the machine can be used without the bottom cover.

Noise-Reduction Bottom Plate Installation Instructions

Stick acoustic wool to the side of bottom cover plate with the letter of "PUMP". Tilt the washer by 30°-40°, when installing the bottom cover, please face the side with sound insulation upwards and attach 'PUMP' at the corner of the cover to the position of the pump in the washer.



1. Before installing the noise-reduction bottom plate, align and paste the acoustic absorption wool with and along the right-angle impression on bottom plate (this procedure is unnecessary for some of the models without acoustic absorption wool).
2. Remove surface paper on double sided tape at four sides of the bottom plate.
3. Incline the machine to an angle of 40° and let the side with a right-angle notch face towards front of the washing machine, as shown in the figure. Insert the side with an oblique-angle notch between two-foot screws at back of the washing machine completely in place. Then, install the bottom plate and ensure that it contacts the bottom of the washing machine closely
4. Press the double-sided tape on four sides manually to secure the noise-reduction plate to the machine body firmly.



6. USING

Quick Start

Before washing, please make sure it's installed properly.

Before washing at first time, the washing machine shall be operated in one round of the whole procedures without clothes in as follows.

1. Before Washing

Note! Detergent only needs to be added in "case I "after selecting pre-washing for machines with this function.

2. Washing

- Power On
- Select a short program
- Start

Before Each Washing

The working condition of the washer should be (0-40) °C. If used under 0°C, the inlet valve and draining system may be damaged. If the machine is placed under condition of 0°C or less, then it should be transferred to normal ambient temperature to ensure the water supply hose and drain hose are not frozen before use. Please check the labels and the explanation of using detergent before washing. Use non-foaming or less-foaming detergent suitable for machine washing properly

SEPARATING LAUNDRIES

- Your laundry has product labels on them that specify their specifications. Wash or dry your laundry according to the specifications on the product label.
- Separate your laundry according to their types (cotton, synthetic, sensitive, wool etc.), their temperatures (cold, 30°, 40°, 60°, 90°) and degree of contamination (slightly stained, stained, highly stained).
- Never wash your colored and white laundry together.
- Wash your colored laundry separately in the first washing as they may bleed.
- Ensure that there are no metallic materials on your laundry or in the pockets; if so, take them up.

CAUTION: Faults that will emerge in case of penetration of foreign substances into your machine are not included within the scope of warranty.

- Zip up and button up your laundry.
- Remove the metallic or plastic hooks of tulle curtains or curtains or place them in a washing net or bag and then muzzle them.
- Reverse textiles such as pants, knitwear, t-shirt and sweat suit.
- Wash socks, handkerchief and such like small laundry in a washing net.

Putting laundry in the machine

- Open the door of your machine.
- Spread your laundry in your machine.

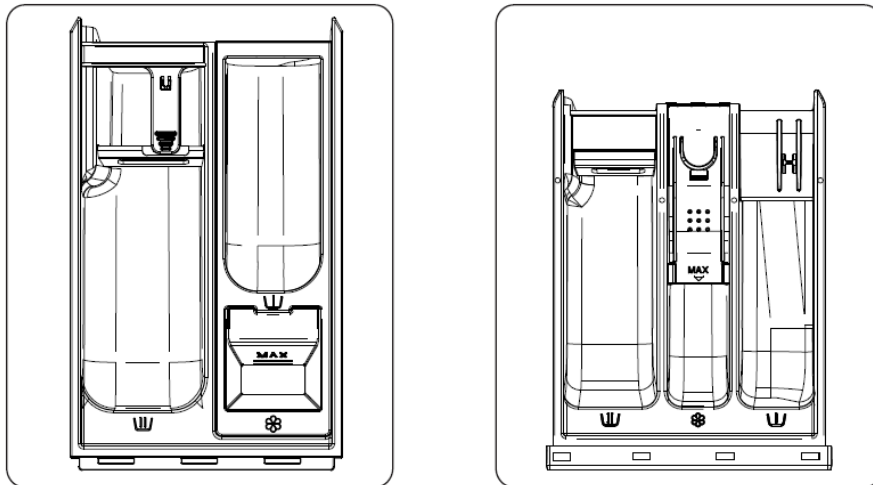
NOTE: Maximum loading capacity may vary based on the laundry you will wash, degree of contamination and the program you have chosen. Do not exceed the maximum dry loading capacity indicated in the program table for washing programs.

Adding detergent into machine

Always use high efficiency, low foam detergent for a front load machine. The choice of detergent depends on: Type of fabric (cottons, easy care/synthetics, delicate items, wool), Color, The wash temperature, Degree and type of soiling.

Note: Any whitish residues on dark fabrics are caused by insoluble compounds used in modern phosphate-free powder detergents. If this occurs, shake or brush out the fabric or use liquid detergents. Use only detergents and additives specifically produced for domestic washing machines. When using descaling agents, dyes or bleaches for the pre-wash, make sure that they are suitable for use in domestic washing machines. Descalers could contain products which could damage your washing machine. Do not use any solvents (e.g. turpentine, benzene). Do not wash fabrics that have been treated with solvents or flammable liquids

The detergent drawer



- **Pre-wash detergent compartment:**
This compartment must only be used when the pre-wash feature is selected. Pre-wash feature is recommended for very dirty laundry.
- **Main wash detergent compartment:**
In this compartment, only materials like detergent (liquid or powder), stain remover and water softener.
- **Softener compartment:**
You can use a fabric softener for your laundry, liquid starch. Pour additives only up to the "MAX" mark.

7. CONTROL PANEL



PROGRAM TABLE

COTTON	
Washing temperature	--, 20°C, 30°C, 40°C, 60°C, 95°C
Maximum dry laundry amount	10 kg
Maximum spin speed (rpm)	1400
Laundry type / descriptions	Heavily and moderately soiled cotton, or linen. For very heavily soiled items select the "Prewash" function.
ALLERGY STEAM	
Washing temperature	40°C, 60°C
Maximum dry laundry amount	2.5 kg
Maximum spin speed (rpm)	1400
Laundry type / descriptions	It is suitable for high temperature resistant and less fading fabrics which removes allergens such as pollens, mites and parasites through high temperature steam.
ECO 40-60	
Washing temperature	-
Maximum dry laundry amount	10 kg
Maximum spin speed (rpm)	1400
Laundry type / descriptions	Normally soiled cotton laundry.
MIX	
Washing temperature	--, 20°C, 30°C, 40°C
Maximum dry laundry amount	5 kg
Maximum spin speed (rpm)	1400
Laundry type / descriptions	Mixed loads of moderately soiled cotton and synthetic fabrics.
WOOL	
Washing temperature	--, 20°C, 30°C, 40°C
Maximum dry laundry amount	2.5 kg
Maximum spin speed (rpm)	600
Laundry type / descriptions	Machine washable wool. (Refer to the washing label attached to the clothing).

QUICK 15'	
Washing temperature	--, 20°C, 30°C, 40°C
Maximum dry laundry amount	1 kg
Maximum spin speed (rpm)	800
Laundry type / descriptions	Cotton, mixed fabrics. Items worn for a short time or newly bought.
RINSE+SPIN	
Washing temperature	-
Maximum dry laundry amount	10 kg
Maximum spin speed (rpm)	1400
Laundry type / descriptions	This program is defaulted to two rinses and spin.
SPIN	
Washing temperature	-
Maximum dry laundry amount	10 kg
Maximum spin speed (rpm)	1400
Laundry type / descriptions	Select the speed of the spin manually.
DRUM CLEAN	
Washing temperature	90°C
Maximum dry laundry amount	-
Maximum spin speed (rpm)	800
Laundry type / descriptions	Program to remove dirt and bacterial residue that can breed in the machine after it has been used for a period, especially when low temperature washes are used regularly.
20°C	
Washing temperature	-
Maximum dry laundry amount	10 kg
Maximum spin speed (rpm)	1400
Laundry type / descriptions	This program is suitable for cotton clothes with light stains, saving energy.
SYNTH	
Washing temperature	--, 20°C, 30°C, 40°C, 60°C
Maximum dry laundry amount	2.5 kg
Maximum spin speed (rpm)	1200
Laundry type / descriptions	Moderately soiled synthetics, cotton blended fabrics
SPORTS	
Washing temperature	--, 20°C, 30°C, 40°C
Maximum dry laundry amount	2 kg
Maximum spin speed (rpm)	1000
Laundry type / descriptions	Sportswear and leisure wear made from microfiber fabrics.
DARK WASH	
Washing temperature	--, 20°C, 30°C, 40°C, 60°C
Maximum dry laundry amount	5 kg
Maximum spin speed (rpm)	1000
Laundry type / descriptions	Dark textiles made of cotton and dark easy-care textiles
BABYCARE	
Washing temperature	40°C, 60°C, 90°C
Maximum dry laundry amount	2.5 kg
Maximum spin speed (rpm)	1400
Laundry type / descriptions	It is suitable for baby clothes and underwear, etc., which sterilizes and disinfects through high temperature steam.

PROGRAM INSTRUCTIONS

1. The Eco 40-60 program is able to clean normally soiled cotton laundry declared to be washable at 40°C or 60°C, together in the same cycle, and that this program is used to assess compliance with the EU eco-design legislation.
2. The power consumption of the off mode is 0.49W, and the left-on mode is 0.49W.
3. The most efficient programs in terms of energy consumption are generally those that perform at lower temperatures and longer duration.
4. Loading the household washing machine up to the capacity indicated by the manufacturer for the respective programs will contribute to energy and water savings.
5. Correct use of detergent, softeners and other additives. Do not apply excessive detergent. This may affect the washing results adversely.
6. Periodic cleaning, including optimal frequency and limescale prevention and procedure.
7. Noise and remaining moisture content are influenced by the higher the noise and the lower the remaining moisture content.
8. The product information and the energy consumption label, the product registration information can be obtained by scanning the QR code.

NOTE: Program duration may change according to the amount of laundry, tap water, ambient temperature and selected additional functions.

Program	Selected temperature	Rated capacity (kg)	Maximum temperature in drum	Program duration (h:min)	Energy consumption (kWh/cycle)	Water consumption (litres/cycle)	Remaining moisture content%	Maximum speed reached (rpm)
Eco 40-60 full load		10	40	3:59	1.020	55	51.0	1400
Eco 40-60 half load	-	5	28	3:00	0.430	40	53.0	1400
Eco 40-60 1/4 load	-	2.5	24	3:00	0.220	30	53.5	1400
Cotton	60°C	10	55	3:29	1.560	108	53.0	1400
Mix	40°C	5	45	1:00	0.850	69	45.0	1400
Quick 15'	40°C	1	38	0:30	0.330	22	55.0	800
20°C	20°C	10	20	1:50	0.200	85	51.0	1400

The values given for programs other than the Eco 40-60 program and the wash cycle are indicative only

PROGRAM OPTIONS

1. PROGRAM START

After you have selected your options and placed detergent within the detergent dispenser, turn on the water tap and press the "Start/Pause" button. It also displays the remaining program time.

2. AUXILIARY FUNCTIONS

Before starting the program, you can optionally select an auxiliary function. At standby state, press "Options" button to select additional function for current program. Select only one function for each press, and then corresponding icon flashes. After starting up, the program cannot be changed.

PREWASH

Select the function to conduct pre-wash so as to enhance washing effects and better remove stains. This function is suitable for heavy dirty clothes.

Before inflowing, laundry detergent/ washing powder can be added to pre-wash box, and washing powder must be added to main wash box.

EXTRA RINSE After setting the rinsing function of adding, the program runs the rinsing process once again before running the softening, and the total running time of the program increases accordingly.

INTENSIVE - The function can be selected to prolong washing time, strengthen washing effects and better remove stain.

3. DELAY END

Delay End function allows the machine to run at the consumers' convenience, for example, at night when electricity is cheaper. Only under the standby mode is this button valid for selecting the reservation time.

- After the reservation function is selected, the time will increase 1h when each time the reservation button is pressed. Before reservation, if the program time does not satisfy the integral multiple of 1h, it shall be completed by pressing the reservation key for the first time, and then the time increases 1h when each time the reservation button is pressed. If the reservation is selected, before the program runs, the current reservation can be canceled by turning the button to select other programs.

- The delay time must be longer than the wash program length as the delay time is the time program will finish. For example: if the selected program time is 02:28, the delay time selected must be between 03:00 and 24:00.

- When the reservation process is operated, the icon of 'reservation time' will be on. When the reservation process is finished, the icon of 'reservation time' will be off, while the icon of the 'remaining time' will be on.

4. TO CANCEL THE PROGRAM OR RESELECT THE OPTIONS

Rotate the program to "Off" for 3 seconds to turn off the machine.

Select the new program and options.

Press "Start / Pause" button to turn on the machine without adding any extra detergent.

5. PROGRAMME END

The washing machine shows "End" at the end of the program, when the door is unlocked. If the knob is turned to "Off", the power will be cut off. If there is no button or knob operation within 2 minutes, the program will automatically power off.

6. DOOR LOCK

After the program starts the Door Lock icon will light up and the door will be locked. After completing the program, the door lock unlocks automatically. During pause, if door opening condition can be met halfway, the door lock will unlock, and its indicator light will go out. When door lock indicator light flashes, door shall not be opened forcibly so as to avoid personal injury

7. CHILD LOCK

To strengthen the safety of children, this machine is equipped with a Child Lock function. When the program starts, press "Temp.+Spin" button for 2 seconds.

The machine will beep once. Scree will show "SAFE On". After 2 seconds, the screen will show the program left time. Repeat this operation, the machine will beep once.

The screen will show "SAFE OFF", the Child Lock will be released. When the Child Lock is set, all function buttons except "Off" will be shielded. Once any function except "Off" is chosen, the machine will beep.

The screen will show "SAFE On" for 2 seconds. After the program ends, the Child lock function will be released automatically. Any error alarm will release the Child Lock function.

Turn off and on the machine manually will reset the machine.

The Child Lock function cannot be set when the machine is in standby state.

8. MUTE FUNCTION

Press "Spin" and "Stea" buttons simultaneously for 2 seconds.

All the buzzing will be turned off except the error alarm. When the machine is in a mute state, repeat the same process: All the buzzing will be activated. The Mute function will continue to take effect before you turn it down manually

9. FAVOURITE

After selecting the program and setting each parameter and starting, long press the Favorite key for 3s to memorize the selected program, temperature, rotational speed and other related settings, and then the Favorite symbol lamp will be on.

Under the circumstance that the Favorite lamp is not on, short press the Favorite key, then the program will be switched to the program memorized last time; and meantime, the temperature, rotational speed and other parameters will automatically change into the parameters memorized last time.

At this moment, if switching the program or pressing other keys, the panel will display a new program and parameters, and the Favorite symbol lamp will be off. When the user uses it for the first time, if he/she has never pressed the Favorite key to collect programs, he/she can short press the Favorite key and then the cotton linen program and its default settings will be collected by default.

10. RELOAD IN PROCESS

If you want to reload clothes in the process of washing, please press "Start/Pause" button.

If the door can be opened in the process, the door lock indicator will flash. Until the door lock indicator turns off, you can open the door to load clothes.

If the door lock indicator doesn't flash, it indicates that current temperature is over 50°C or you have passed the time for reloading in the process, namely no clothes allowed to load into the machine.

11. AUTOMATIC WEIGHTING

Washing machine displays "- -" after startup, indicating that it is weighing automatically. It will adjust program length (hours: minutes) automatically according to the weight of clothes

12. STEAM

Press briefly, add steam function, and the steam icon will light up.

Press twice to cancel the function and cycle in sequence.

8. CLEANING AND MAINTENANCE

Appliance exterior and control panel

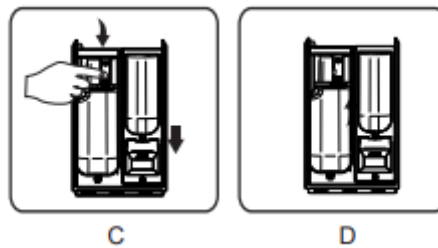
- Can be washed down with a soft, damp cloth.
- A little neutral detergent (non-abrasive) can also be used.
- Dry with a soft cloth.

Door seal

- Clean with a damp cloth when necessary
- Check the condition of the door seal periodically.

Detergent dispenser

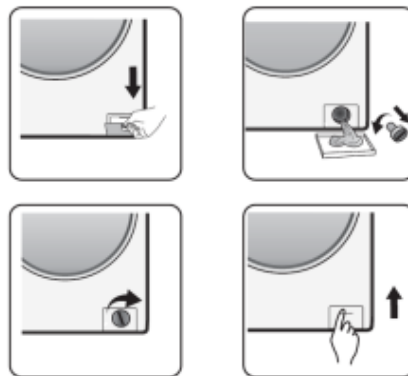
1. Press the siphon cap in the softener compartment and remove the drawer (fig. C)
2. Remove siphon cap from the fabric softener compartment (fig. "D").
3. Wash all the parts under running water.
4. Refit the siphon cap in the detergent drawer and fit the drawer back inside its housing



Filter

We recommend that you check and clean the filter regularly, at least two or three times a year. Especially:

- If the appliance is not draining properly or if it fails to perform spin cycles.
- If the pump is blocked by a foreign body (e.g. buttons, coins or safety pins).



Important: Ensure that the water has cooled before draining the appliance.

1. Stop the appliance and unplug it.
2. Depending on the model, remove the plinth by holding it tightly on both sides, pushing it downward and tilting it to the front. Or, push down on the tabs provided on both the sides and remove it.
3. Place a container beneath it.
4. Open the filter but do not remove it completely. Slowly turn the filter counterclockwise until the water begins to drain out.
5. Wait until all the water has drained.
6. Now unscrew the filter completely and remove it.
7. Clean the filter and the filter chamber.
8. Check that the pump rotor moves freely.
9. Re-insert the filter and screw it in clockwise as far as it will go.
10. Reinstall the plinth.
11. Plug in the appliance once again.
12. Select a program and start it.

Water supply hose

Check the supply hose regularly for brittleness and cracks and replace it if necessary, using a new hose of the same type.

Mesh filter for water connection

Check and clean regularly. For washing machines with an inlet hose as shown on picture "D"



1. Close the tap and loosen the inlet hose on the tap.
2. Clean the internal mesh filter and screw the water inlet hose back onto the tap.
3. Now unscrew the inlet hose on the rear of the washing machine.
4. Pull off the mesh filter from the washing machine connection with universal pliers and clean it.
5. Refit the mesh filter and screw the inlet hose on again.
6. Turn on the tap and ensure that the connections are completely watertight.

9. TROUBLESHOOTING

Depending on the model, your washing machine is equipped with various automatic safety functions. This enables faults to be detected in good time and the safety system can then react appropriately. These faults are frequently so minor that they can be resolved within a few minutes.

The washing machine will not start, no indicator lamps are on.

Check whether:

- the mains plug is inserted into the socket.
- the wall socket is functioning correctly (use a table lamp or similar appliance to test it).

The washing machine will not start... and the "Start/Pause" indicator lamp flashes. Check whether:

- the door is properly closed (child safety);
- the "Start/Pause" button has been pressed.
- the "Water tap closed" indication lights up. Open the water tap and press the "Start/Pause" button.

The appliance stops during the program (varies depending on model)

Check whether:

- the door has been opened, and the "Start/Pause" indicator lamp is flashing. Close the door and press the "Start/Pause" button again.
- check if there is too much foam inside, machine enters kill-foam routine. The machine will run again automatically after a period.
- the washing machine's safety system has been activated (see "Fault description table").

Residue from detergent and additives left in the detergent drawer at end of wash. Check whether:

- the cover grid of the softener chamber and the separator of the main wash chamber are correctly installed in the detergent dispenser and all parts are clean.
- sufficient water is entering. The mesh filters of the water supply could be blocked
- the position of the separator in the main wash chamber is adapted to the use of powder or liquid detergent

Machine vibrates during spin cycle.

Check whether:

- the washing machine is level and stands firmly on all four feet.
- the transport bolts have been removed. Before using the machine, it is imperative that the transport bolts are removed.

Final spin results are poor.

The washing machine has an imbalance detection and correction system. If individual heavy items are loaded (e.g. bathrobes), this system may reduce the spin speed automatically or even interrupt the spin completely if it detects too great an imbalance even after several spin starts, in order to protect the washing machine.

- If the laundry is still too wet at the end of the cycle, remove some articles of laundry and repeat the spin cycle.
- Excessive foam formation may prevent spinning. Use the correct amount of detergent.
- Check that the spin speed selector has not been set to " ".

ERROR CODE

F01 displayed on screen

The machine is not fed with water or insufficient water. Check:

- Faucet is fully open and has enough water pressure
- Water inlet pipe is knotted or not
- Filtering net of water inlet pipe is blocked or not (refer to maintenance and repair).
- Water pipe is frozen or not

Press "Start/Pause" key after fault is removed. If a mistake occurs again, please contact the authorized service.

F03 displayed on screen

The washer is not emptied. The washer stops the program being executed. Shut down the machine and disconnect the power supply. Check:

- Drainpipe is knotted or not.
- Filter in drain pump is blocked or not (refer to the cleaning of filter in drain pump). Important: Ensure that the water has cooled before draining the appliance.
- The drain hose is frozen up.

Plug in the appliance again.

Select and start the "Spin" program or push the "Start/Pause" button for at least 3 seconds and restart the desired program.

If the fault occurs again, please contact the authorized service.

If the fault code "F13" is shown

Door locks are abnormal. Start program for 20 sec and unlock the washer door (PTC) to check whether the door is closed.

Open or close it again. After the fault is removed, press the "Start/Pause" key.

If a fault occurs again, disconnect the power supply and contact the authorized service.

If fault code "F14" is shown

Door open fault.

Action: Press "Start/Pause" button. The washing machine will try to open the door. The alarm will not be removed until the door is unlocked. Or turn the nub to Off for 3 seconds to turn off the machine. Choose the desired program to start the machine. The alarm will be removed.

If the fault code "F24" is shown

Water level reaches overflow level.

Remove it by pressing the "Start/Pause" key and feed water.

Select and start the required program. If a fault occurs again, disconnect the power supply and contact the authorized service.

If else fault code "F04", to "F98" is shown

Electronic module fails

Turn the nub to Off for 3 seconds to turn off the machine.

After fault is removed, press the "Start/Pause" key.

If a fault occurs again, disconnect power supply and contact the authorized service.

If fault code "Unb" is shown

Unbalance alarm shall be solved by the following methods

1. Laundry winding

Turn the knob to "off" for 3 seconds for shutdown, open the door, shake the clothes and put them back into the washing machine, then select the single dewatering program to dry again.

2. Too light-weighted laundry

Turn the knob to "off" for 3 seconds for shutdown, open the door, put in one or two towels, and then select the single dewatering program to dry again.

Before contacting the authorized service

1. Try to remedy the problem yourself (see Troubleshooting)

2. Restart the program to check whether the problem has solved itself.

3. If the washing machine continues to function incorrectly, call the authorized service

The technical information is situated in the rating plate on the internal side of the appliance and on the energy label.

The QR code on the energy label supplied with the appliance provides a web link to the information related to the performance of the appliance in the EU EPREL database.

Keep the energy label for reference together with the user manual and all other documents provided with this appliance.

It is also possible to find the same information in EPREL using the link <https://eprel.ec.europa.eu> and the model's name and product number that you find on the rating plate of the appliance.

To access information about your product in the EPREL portal, you can scan the codes below:



Thank you for purchasing this product. If you need support with your product, visit our website using the links below.

Get User manuals: <https://www.heinner.ro>

Get Service information: <https://www.heinner.ro>

**Environment friendly disposal**

You can help protect the environment!

Please remember to respect the local regulations: hand in the non-working electrical equipment's to an appropriate waste disposal center.



HEINNER is a registered trademark of **Network One Distribution SRL**. Other brands and product names are trademarks or registered trademarks of their respective holders.

No part of the specifications may be reproduced in any form or by any means or used to make any derivative such as translation, transformation, or adaptation without permission from NETWORK ONE DISTRIBUTION.

Copyright © 2013 Network One Distribution. All rights reserved.

www.heinner.com, <http://www.nod.ro>



This product is in conformity with norms and standards of European Community



Importer: **Network One Distribution**

Marcel Iancu Street, 3-5, Bucharest, Romania

Tel: +40 21 211 18 56, www.heinner.com , www.nod.ro

MAȘINĂ DE SPĂLAT AUTOMATĂ

Model:

HWM-HMK1014IVTA+++



- Mașină de spălat automată
- Capacitate de încărcare: 10 kg
- Clasa de eficiență energetică: A

HEINNER

1. INTRODUCERE

Vă rugăm să citiți instrucțiunile cu atenție și să păstrați manualul pentru consultări ulterioare.

Acest manual are scopul de a vă oferi toate instrucțiunile necesare cu privire la instalarea, utilizarea și întreținerea aparatului. Pentru utilizarea corectă și în siguranță a aparatului, vă rugăm să citiți cu atenție acest manual de instrucțiuni înainte de instalare și utilizare.

2. CONȚINUTUL PACHETULUI DUMNEAVOASTRĂ

- ➔ **Mașină de spălat automată**
- ➔ **Manual de utilizare**
- ➔ **Certificat de garanție**

3. MĂSURI DE SIGURANȚĂ

1. Înainte de a pune în funcțiune noua dumneavoastră mașină de spălat, vă rugăm să citiți cu atenție aceste instrucțiuni. Nu aruncați acest manual, ci păstrați-l pentru consultări ulterioare. Este posibil să aveți nevoie de acesta.
2. Asigurați-vă ca priza este corect conectată la împământare și că racordarea la apă este corespunzătoare.
3. Acest aparat este conceput pentru uz casnic. Utilizarea în scopuri comerciale duce la anularea garanției.
4. Aparatul nu este destinat utilizării de către persoane (inclusiv copii) care au capacități fizice, senzoriale sau mentale reduse, sau cărora le lipsesc experiența și cunoștințele necesare, decât dacă sunt supravegheate sau au fost instruite cu privire la utilizarea aparatului de către o persoană care răspunde de siguranța acestora.
5. Aparatul poate fi utilizat de către copii cu vârste începând de la 8 ani și de către persoane cu capacități fizice, senzoriale sau mentale reduse, cu lipsă de experiență sau cunoștințe, numai dacă acestea sunt supravegheate sau instruite în ceea ce privește utilizarea în siguranță a aparatului și dacă înțeleg pericolele pe care le implică utilizarea.
6. Copiii trebuie supravegheați, astfel încât aceștia să nu se joace cu aparatul. Nu lăsați copiii cu vârste sub 3 ani în preajma aparatului, decât dacă aceștia sunt supravegheați neîntrerupt.
7. Nu lăsați animalele de companie să se apropie de aparat.
8. Pentru evitarea pericolelor, în cazul în care cablul de alimentare este deteriorat, acesta trebuie înlocuit de către producător, de către agentul său de service sau de persoane cu o calificare similară.
9. Înainte de instalare, verificați ambalajul. După îndepărtarea ambalajului, verificați suprafețele exterioare ale mașinii. Nu utilizați aparate care prezintă deteriorări sau aparate care au ambalajul deschis.
10. Mașina de spălat trebuie instalată de către o persoană autorizată. Orice intervenție asupra aparatului efectuată de către o persoană neautorizată poate duce la anularea garanției.
11. Înainte de utilizarea mașinii de spălat, scoateți cele 4 șuruburi de transport din spatele acesteia. Dacă șuruburile nu sunt scoase, acestea pot provoca vibrații, zgomot și funcționarea necorespunzătoare a produsului, garanția fiind anulată.
12. Garanția aparatului dumneavoastră acoperă defecte cauzate de factori externi (pesticide, incendiu etc.).
13. Mașina de spălat trebuie să fie instalată numai în spații închise. Temperatura ambiantă necesară pentru funcționarea optimă a aparatului este cuprinsă în intervalul 15-25°.
14. Utilizați aparatul numai pentru rufe specificate de către producător ca fiind adecvate pentru spălare.
15. Vă rugăm să vă asigurați că hainele pe care le puneți în aparat nu au obiecte străine (cuie, ace, monede, brichete, chibrituri, agrafe etc.) în buzunare. Aceste obiecte străine pot deteriora aparatul.
16. Se recomandă efectuarea primului ciclu de spălare fără rufe, cu un program scurt, prin introducerea a 30 de ml de detergent în compartimentul principal al sertarului pentru detergent.

17. Dat fiind faptul că detergentul și balsamul de rufe expuse la aer pentru o perioadă îndelungată pot produce reziduuri, introduceți detergentul sau balsamul de rufe în sertarul pentru detergent înaintea fiecărui ciclu de spălare.
18. Dacă urmează să nu utilizați aparatul pentru o perioadă îndelungată, vă recomandăm să deconectați ștecărul de la sursa de alimentare și să închideți robinetul de apă. De asemenea, vă recomandăm să lăsați deschisă ușa mașinii de spălat, pentru a preveni formarea mirosurilor neplăcute din cauza umidității. Pentru aparatele destinate conectării la rețeaua de apă, presiunea maximă admisă de intrare a apei este de 1 Mpa. Dacă este necesară pentru funcționarea corectă a aparatului, presiunea minimă admisă de intrare a apei este de 0,1 Mpa.
19. În urma efectuării încercărilor și verificărilor din cadrul procedurilor de control al calității, este posibil ca o anumită cantitate de apă să rămână în mașina de spălat. Aceasta nu va cauza deteriorări.
20. Rețineți că ambalajele mașinii de spălat pot fi periculoase pentru copii.
21. Păstrați ambalajele într-un loc la care copiii să nu aibă acces sau eliminați-le în mod corespunzător.
22. Utilizați programele de prespălare numai pentru rufe foarte murdare.
23. Nu deschideți sertarul pentru detergent atunci când aparatul este în funcțiune.
24. În cazul unei defecțiuni, deconectați mai întâi aparatul de la sursa de alimentare, apoi închideți robinetul. Nu încercați să reparați aparatul pe cont propriu. Apelați de fiecare dată la un service autorizat.
25. Cantitatea de rufe pe care o introduceți în mașina de spălat nu trebuie să fie mai mare decât cantitatea maximă indicată.
26. Nu forțați deschiderea ușii atunci când aparatul este în funcțiune.
27. Spălarea articolelor de îmbrăcăminte murdare de făină duce la deteriorarea aparatului. Nu spălați în aparat articole de îmbrăcăminte murdare de făină.
28. Acest aparat este destinat utilizării în locuințe și alte unități similare, cum ar fi: bucătăriile personalului din magazine, birouri și alte medii profesionale; în gospodării și de către clienții din hoteluri, moteluri și alte medii de tip rezidențial; în medii de tipul pensiune cu mic dejun; în zone destinate utilizării în comun din blocuri de locuințe sau în spălătorii.

Este necesar să citiți cu atenție aceste avertismente. Astfel, protecția dumneavoastră și a apropiaților împotriva pericolelor și vătămărilor grave poate fi asigurată.

PERICOL DE ARSURI!

Nu atingeți furtunul de evacuare și apa evacuată, deoarece acestea pot atinge temperaturi ridicate în timpul funcționării aparatului.

PERICOL DE ELECTROCUTARE!

1. Nu utilizați prize multiple sau prelungitoare.
2. Nu introduceți ștecărul în prize deteriorate.
3. Nu trageți de cablul de alimentare pentru a deconecta aparatul de la sursa de alimentare cu energie electrică - țineți de ștecăr și scoateți-l din priză.
4. Pentru a preveni electrocutarea, nu introduceți ștecărul în priză și nu deconectați ștecărul de la priză cu mâinile ude.
5. Nu atingeți aparatul nu mâinile sau picioarele ude.
6. În cazul în care cablul de alimentare este deteriorat, apelați la cel mai apropiat service autorizat în vederea înlocuirii.

PERICOL DE INCENDIU!

1. Nu păstrați lichide inflamabile în apropierea aparatului.
2. Conținutul de sulf din substanțele decapante poate duce la deteriorarea prin coroziune a aparatului. Din acest motiv, vă recomandăm să nu utilizați substanțe decapante în aparatul dumneavoastră.
3. Nu utilizați în aparatul dumneavoastră produse care conțin solvenți (cum ar fi, de exemplu, gaz de spălare).

4. Scoateți toate obiectele din buzunarele hainelor (ace, agrafe, brichete, chibrituri etc.) înainte de a le introduce în aparat.

Pericol de incendiu și explozie!

PERICOL DE INUNDARE!

1. Verificați dacă apa curge sau nu rapid înainte de a pune furtunul de evacuare în chiuvetă.
2. Luați măsurile necesare pentru a preveni alunecarea furtunului.
3. Forța apei poate desprinde furtunul dacă acesta nu este fixat corespunzător. Asigurați-vă că dopul chiuvetei nu blochează orificiul de scurgere.

PERICOL DE CĂDERE ȘI RĂNIRE!

1. Nu vă urcați pe aparat. Capacul superior al aparatului se poate rupe, putându-vă provoca răni.
2. Poziționați corespunzător furtunul, cablul de alimentare și ambalajul aparatului în timpul instalării acestuia. În caz contrar, vă puteți împiedica și puteți cădea.
3. Nu răsturnați aparatul pe laterale și nu îl puneți cu partea superioară în jos.
4. Nu ridicați aparatul ținându-l de ușa sau de sertarul pentru detergent. Aceste componente se pot rupe și vă pot răni.
5. Pericolul de împiedicare și rănire poate apărea în cazul în care componentele precum furtunul și cablurile nu sunt poziționate corespunzător după instalarea aparatului.

Aparatul trebuie să fie transportat de cel puțin 2 persoane.

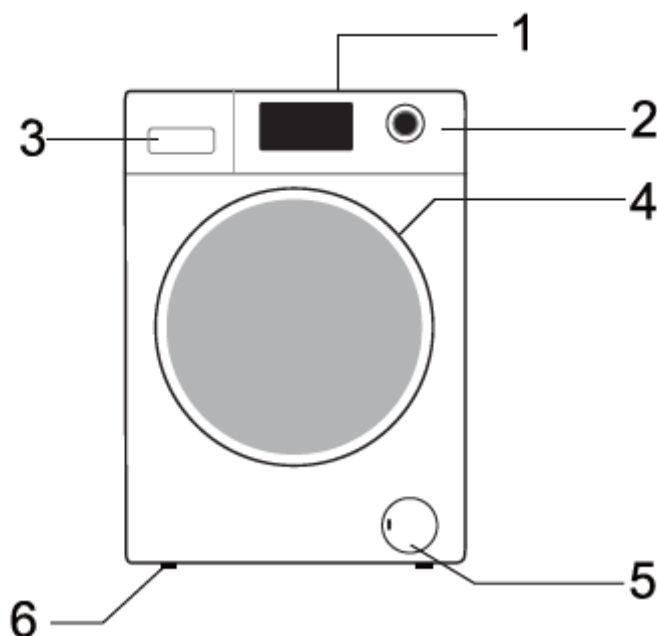
SIGURANȚA COPIILOR

1. Nu lăsați copiii nesupravegheați în apropierea aparatului. Copiii se pot bloca în interiorul aparatului, putând apărea pericolul de rănire gravă sau deces. Copiii trebuie supravegheați, astfel încât aceștia să nu se joace cu aparatul. Nu permiteți copiilor să se joace cu aparatul sau să intre în tambur.
2. Ușa și suprafața aparatului pot fi foarte fierbinți în timpul funcționării acestuia. Prin urmare, atingerea aparatului de către copii îi poate expune la arsuri și răniri.
3. Nu lăsați ambalajele la îndemâna copiilor.
4. Dacă detergentul sau substanțele de curățare sunt ingerate sau intră în contact cu pielea sau ochii, pot apărea otrăviri și iritații. Nu lăsați substanțele de curățare la îndemâna copiilor.

Informații privind economisirea de energie

Iată câteva informații importante pentru creșterea eficienței aparatului dumneavoastră: Cantitatea de rufe pe care o introduceți în mașina de spălat nu trebuie să fie mai mare decât cantitatea maximă indicată. Acest lucru va permite funcționarea aparatului în modul de economisire a energiei. Pentru a economisi energie electrică și apă, nu utilizați funcția de prespălare pentru rufe cu grad redus și normal de murdărire

4. DESCRIEREA PRODUSULUI

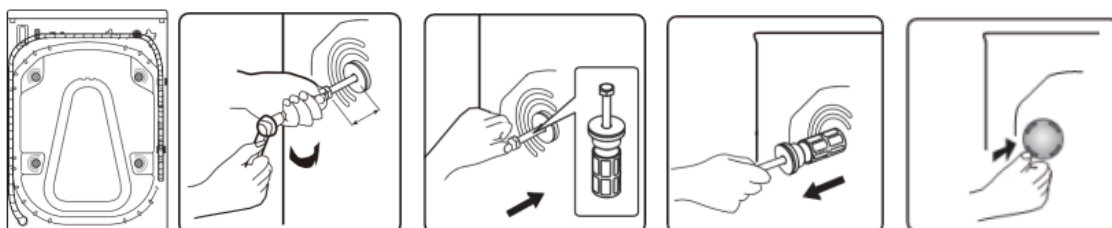


1. Capacul superior
2. Panoul de control
3. Sertar detergent
4. Usa
5. Capac plinta
6. Picioruse ajustabile

5. INSTALARE

Scoaterea șuruburilor de transport

1. Înainte de utilizarea mașinii de spălat, scoateți cele 4 șuruburi de transport din spatele acesteia. Dacă șuruburile nu sunt scoase, acestea pot provoca vibrații, zgomot și funcționarea necorespunzătoare a produsului, garanția fiind anulată.
2. Șuruburile de transport trebuie slăbite prin rotirea în sensul indicat de săgeată, utilizând o cheie corespunzătoare.
3. Împingeți două șuruburi de transport spre interior în poziție orizontală și slăbiți-le.
4. Șuruburile de transport trebuie scoase prin tragere
5. Pentru siguranță și reducerea zgomotului, montați în orificiile pentru șuruburile de transport capacele de plastic furnizate. Puneți capacele în orificii și apăsați pe acestea până la auzirea unui clic care indică fixarea corespunzătoare.
6. Șuruburile de transport trebuie să fie depozitate în vederea unei posibile utilizări ulterioare.



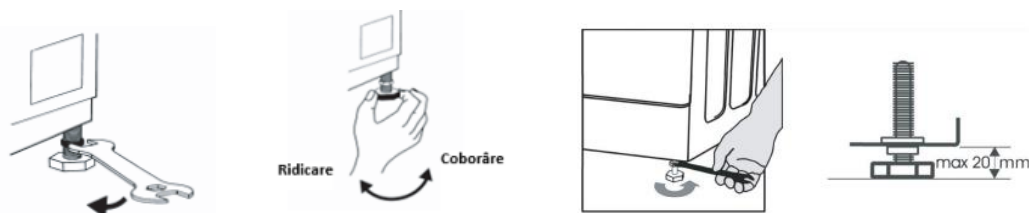
NOTĂ: Înainte de prima utilizare a aparatului, este obligatoriu să scoateți șuruburile de transport. Defecțiunile apărute în cazul utilizării aparatului cu șuruburile de transport montate nu fac obiectul garanției.

REGLAREA PICIOARELOR

Nu instalați aparatul pe covoare, mochete sau alte suprafețe care pot bloca aerisirea bazei. Pentru a asigura funcționarea silențioasă și fără vibrații a aparatului dumneavoastră, instalați-l pe o suprafață stabilă, orizontală și plană. Puteți echilibra aparatul cu ajutorul picioarelor reglabile. Slăbiți piulița de reglare din plastic.

Ridicați puțin aparatul și reglați înălțimea picioarelor prin rotirea acestora
După echilibrarea aparatului, strângeți piulița de reglare din plastic.

Nu introduceți carton, lemn sau alte materiale similare sub aparat pentru a-l echilibra. Când curățați pardoseala pe care este așezat aparatul, aveți grijă să nu dereglăți picioarele.



Conectarea la sursa de alimentare cu energie electrică

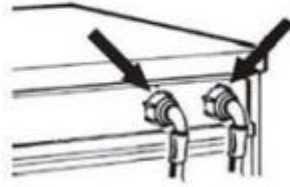
- Mașina dumneavoastră de spălat rufe necesită alimentarea de la o sursă de 220-240V AC și 50Hz.
- Cablul de alimentare al mașinii de spălat rufe este prevăzut cu un ștecăr cu fișă de împământare. Acest ștecăr trebuie să fie introdus într-o priză cu împământare de 10 amperi.
- Valoarea curentului siguranței electrice trebuie să fie de 10 amperi. Valoarea curentului siguranței liniei de alimentare cu energie electrică la care este conectat ștecărul trebuie să fie, de asemenea, de 10 amperi.
- Dacă nu dispuneți de o astfel de priză și de o siguranță corespunzătoare, vă rugăm să apelați la serviciile unui electrician calificat.
- Nu ne asumăm răspunderea pentru daunele apărute ca urmare a utilizării fără împământare.

NOTĂ: Utilizarea aparatului alimentat de la o sursă cu valori de tensiune scăzută reduce durata de exploatare și performanța acestuia.

Conectarea furtunului de alimentare cu apă

- În funcție de caracteristicile aparatului, acesta poate fi dotat cu ajutor de alimentare cu apă simplu (apă rece) sau cu ajutor dublu (apă caldă/rece). Furtunul cu capăt alb trebuie conectat la ajutorul de alimentare cu apă rece, iar furtunul cu capăt roșu trebuie conectat la ajutorul de alimentare cu apă caldă (în cazul aparatelor prevăzute cu ajutor de alimentare cu apă dublu).
- Conectați furtunurile de alimentare cu apă la un robinet filetat de $\frac{3}{4}$ ”.
- Dacă furtunul de alimentare cu apă nu este deja instalat, trebuie să fie fixat pe aparat. Furtunul marcat cu albastru este numai pentru apă rece. În funcție de model, este necesară și fixarea furtunului pentru apă caldă, marcat cu roșu, pentru modelele cu ajutor de alimentare dublu. Înșurubați manual furtunul de alimentare pe robinet, prin strângerea piuliței.

Ajutaj apă caldă (în funcție de model) Ajutaj apă rece



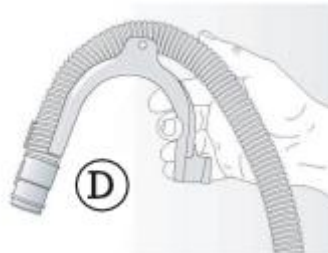
- Un debit de apă cu o presiune de 0,1-1 Mpa va permite aparatului dumneavoastră să funcționeze mai eficient (o presiune de 0,1 Mpa înseamnă că vor curge mai mult de 8 litri de apă pe minut printr-un robinet complet deschis).
- După efectuarea tuturor racordurilor, deschideți cu grijă robinetul de apă și asigurați-vă că nu există scurgeri.
- Asigurați-vă că noile furtunuri de alimentare cu apă nu sunt răsucite, rupte, strivite și redimensionate.
- Racordați furtunul de alimentare la robinetul de apă rece și la supapa de admisie din partea din spate a mașinii.



Notă: Mașina de spălat trebuie să fie conectată la alimentarea cu apă numai folosind noile furtunuri de alimentare cu apă furnizate. Nu utilizați furtunuri de alimentare cu apă vechi, uzate sau deteriorate.

Racordul de evacuare a apei

- Nu încercați să prelungiți furtunul de evacuare a apei prin înădăire.
- Nu introduceți furtunul de evacuare într-un recipient sau într-o găleată.
- Asigurați-vă că furtunul de evacuare nu este îndoit, strivit sau prelungit.
- Racordați furtunul de evacuare la evacuare sau agățați-l pe marginea unei chiuvete cu ajutorul cotului în formă de „U”.
- Fixați cotul în formă de „U” (D), dacă nu este deja instalat, la capătul furtunului de evacuare.



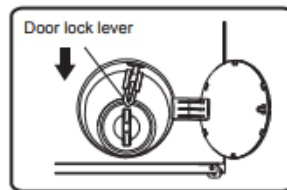
- Dacă mașina de spălat este racordată la un sistem integrat de evacuare, asigurați-vă că acesta din urmă este dotat cu o supapă, pentru a evita încărcarea și evacuarea simultană a apei (efectul de sifonare).
- Asigurați-vă că furtunul de evacuare nu este îndoit. Fixați furtunul în așa fel încât acesta să nu poată cădea. După spălare, mașina va evacua apă fierbinte.
- Chiuvetele de mici dimensiuni nu sunt recomandate.
- Fixați bine furtunul de scurgere, pentru a preveni opărirea în timpul evacuării apei.

Deschidere ușa urgență

În cazul în care nu se deschide ușa din cauza unei întreruperi de curent sau a altor circumstanțe speciale, pârghia de blocare a ușii de la ușa pompei de drenaj poate fi folosită pentru deschiderea de urgență.

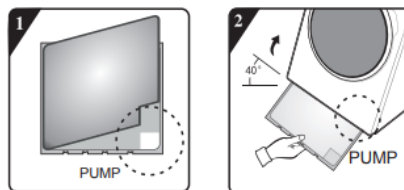
Notă:

1. Nu operați când mașina funcționează normal;
2. Înainte de operare, vă rugăm să vă asigurați că cilindrul interior a încetat să se mai rotească, fără temperatură ridicată, iar nivelul apei este mai mic decât orificiul de intrare pentru îmbrăcăminte. Dacă nivelul apei este mai mare decât orificiul de intrare pentru îmbrăcăminte, scurgeți apa prin conducta de evacuare (dacă este disponibilă) sau deșurubați încet filtrul.
3. Metoda de operare: Deschideți capacul ușii pompei de drenaj, trageți în jos pârghia de blocare cu ajutorul unui instrument și apoi ușa poate fi deschisă (indicat în figură)



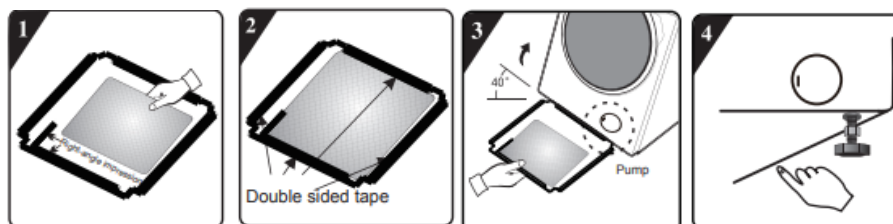
Montarea capacului inferior

Pentru o funcționare mai silențioasă, este furnizat împreună cu aparatul un capac inferior (numai pentru unele mașini de spălat Heinner). După instalarea capacului pe partea de jos a mașinii de spălat, nivelul de zgomot se reduce substanțial. Vă rugăm să solicitați sfatul unui specialist înainte de instalarea capacului. Mașina poate fi utilizată fără capacul inferior. Instrucțiuni de instalare a capacului inferior pentru reducerea zgomotului



Lipiți vata fonoizolantă pe capacul inferior, ținând cont de poziția pompei. Înclinați mașina de spălat la 30°–40°. La instalarea capacului inferior, vă rugăm să orientați partea cu fonoizolație cu fața în sus și să țineți cont de poziția pompei

1. Înainte de a instala capacul inferior fonoizolant, aliniați și lipiți vata fonoizolantă urmărind marcajele în unghi drept de pe capacul inferior (această procedură nu este necesară în cazul modelelor fără vată fonoizolantă).
2. Îndepărtați hârtia de pe banda dublu adezivă de pe cele patru laturi ale capacului inferior.
3. Înclinați mașina la un unghi de 40° și poziționați partea cu canelură în unghi drept orientată către partea din față a mașinii de spălat, așa cum este indicat în figură. Introduceți partea cu canelură în unghi obtuz între cele două picioare din spatele mașinii de spălat. Instalați capacul inferior și asigurați-vă că acesta atinge pe toată suprafața partea inferioară a mașinii de spălat.
4. Apăsați cu mâna banda dublu adezivă pe cele patru laturi, pentru a fixa bine capacul fonoizolant pe carcasa mașinii.



6. UTILIZAREA PRODUSULUI

Pornire rapidă

Înainte de utilizarea mașinii, asigurați-vă că aceasta este instalată corespunzător. Înainte de a spăla rufe pentru prima dată, mașina trebuie să realizeze un ciclu complet de spălare, fără rufe înăuntru.

1. Înainte de spălare

Rețineți!

Alimentarea cu detergent a compartimentului I este necesară numai în cazul selectării funcției de prespălare pentru mașinile echipate cu această funcție.

2. Spălarea

- Porniți mașina de spălat
- Selectați un program scurt
- Porniți programul de spălare

Înainte de fiecare spălare:

Temperatura de funcționare a mașinii de spălat trebuie să fie cuprinsă în intervalul (0-40)°C. În cazul în care mașina depozitată într-un mediu cu o temperatură cu valoarea 0 °C sau mai redusă, aceasta trebuie mutată într-un mediu cu o temperatură mai ridicată, pentru a vă asigura că furtunul de alimentare cu apă și cel de evacuare nu sunt înghețate înainte de utilizare.

Înainte de spălare, citiți informațiile de pe etichete și explicațiile cu privire la utilizarea detergentului. Utilizați detergenți care nu produc spumă sau care produc o cantitate redusă de spumă, potriviți pentru mașina de spălat

SORTAREA RUFELOR

- Rufele dumneavoastră sunt prevăzute cu etichete care includ instrucțiuni pentru o spălare corespunzătoare. Spălați sau uscați rufe conform instrucțiunilor de pe etichete.
- Sortați rufe în funcție de categorie (bumbac, sintetice, delicate, lână etc.), temperatura de spălare (apă rece, 30 °C, 40 °C, 60 °C, 90 °C), grad de murdărire (puțin murdare, murdare, foarte murdare).
- Nu spălați rufe colorate și rufe albe împreună.
- Spălați rufe colorate separat, în primul ciclu de spălare, deoarece acestea se pot decolora.
- Asigurați-vă că în buzunarele rufelor dumneavoastră nu există obiecte metalice; dacă există, scoateți-le.

ATENȚIE: Defecțiunile produse în cazul pătrunderii de substanțe străine în mașina de spălat nu fac obiectul garanției.

- Trageți fermoarele și închideți nasturii rufelor dumneavoastră.
- Îndepărtați cârligele metalice sau de plastic ale perdelelor sau draperiilor, sau introduceți perdelele și draperiile într-o plasă de spălare.
- Întoarceți pe dos articolele de tipul pantalonilor, tricotajelor, tricourilor și echipamentelor sportive.
- Spălați șosetele, batistele și alte rufe de mici dimensiuni în plasa de spălare.

Introducerea rufelor în mașina de spălat

- Deschideți ușa mașinii.
- Distribuți uniform rufe în mașină.

NOTĂ: Capacitatea maximă de încărcare poate diferi în funcție de tipul rufelor, gradul de murdărire și programul ales. Nu depășiți capacitatea maximă de încărcare indicată în tabelul pentru programele de spălare.

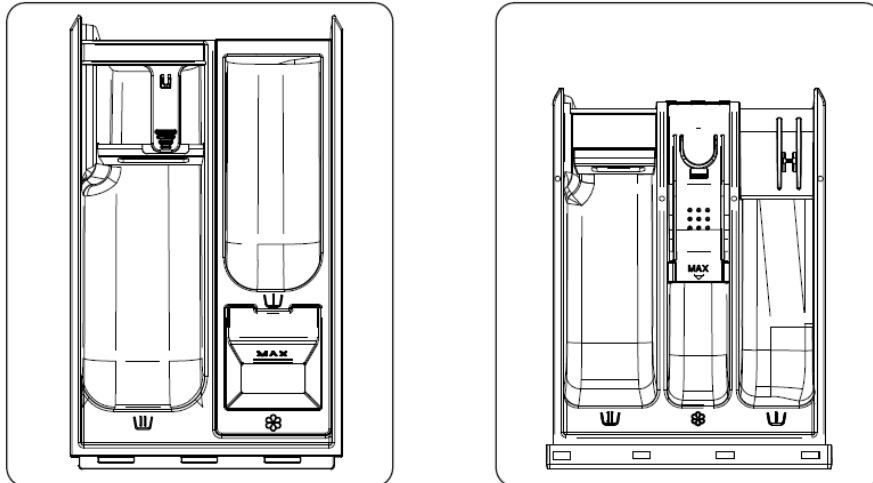
Adăugarea detergentului în mașină

Utilizați întotdeauna pentru mașina de spălat cu încărcare frontală detergenți cu eficiență ridicată, care produc o cantitate redusă de spumă. Alegerea detergentului depinde de: tipul de țesătură (bumbac, articole

ușor de întreținut/sintetice, articole delicate, lână); culoare; temperatura de spălare; gradul și tipul de murdărire.

Notă: Reziduurile albicioase de pe materialele închise la culoare provin de la componentele insolubile din detergenți sub formă de pudră care nu conțin fosfați. Dacă apare această problemă, scuturați rufele, periați-le sau utilizați detergenți lichizi. Utilizați numai detergenți și aditivi produși special pentru mașinile de spălat de uz casnic. Dacă utilizați substanțe pentru îndepărtarea calcarului, vopsele sau înălbitori pentru prespălare, asigurați-vă că acestea sunt potrivite pentru utilizarea în mașinile de spălat rufe de uz casnic. Substanțele pentru îndepărtarea calcarului pot conține produse care pot deteriora mașina de spălat. Nu utilizați niciun fel de solvenți (de exemplu terebentină, benzină). Nu spălați la mașină materiale textile care au fost tratate cu solvenți sau cu lichide inflamabile.

Sertarul pentru detergent



- Compartiment detergent pentru prespălare:

Acest compartiment trebuie să fie utilizat în momentul când caracteristica de prespălare este selectată. Funcția de prespălare este recomandată pentru rufe cu grad mărit de murdărire.

- Compartiment detergent spălare principală:

În acest compartiment pot fi utilizate: detergențul (lichid sau pudră), soluția anticalcar, detergențul pentru îndepărtarea petelor.

- Compartiment balsam, amidon:

Puteți utiliza balsam pentru rufe (cantitatea și tipul este recomandat de către producător) sau amidon lichid. Nu depășiți nivelul "MAX".

7. PROGRAME



Tabel cu programe

COTTON	
Temperatura de spalare	--, 20°C, 30°C, 40°C, 60°C, 95°C
Capacitate maxima rufe uscate	10 kg
Numarul maxim de rotatii (rpm)	1400
Tip rufe/Descriere	Bumbac sau in cu grad de murdărire ridicat sau normal Pentru articole cu grad ridicat de murdărire, selectați funcția „Prewash” (Prespălare).
ALLERGY STEAM	
Temperatura de spalare	40°C, 60°C
Capacitate maxima rufe uscate	2 kg
Numarul maxim de rotatii (rpm)	1400
Tip rufe/Descriere	Program potrivit pentru țesături rezistente la temperaturi ridicate și mai puțin colorate; îndepărtează alergenii precum polenii, acarienii și paraziții prin aburul la temperaturi ridicate.
ECO 40-60	
Temperatura de spalare	-
Capacitate maxima rufe uscate	10 kg
Numarul maxim de rotatii (rpm)	1400
Tip rufe/Descriere	Rufe din bumbac cu grad normal de murdărire.
MIX	
Temperatura de spalare	--, 20°C, 30°C, 40°C
Capacitate maxima rufe uscate	5 kg
Numarul maxim de rotatii (rpm)	1400
Tip rufe/Descriere	Încărcături mixte de bumbac și materiale sintetice cu grad moderat de murdărire.
WOOL	
Temperatura de spalare	--, 20°C, 30°C, 40°C
Capacitate maxima rufe uscate	2.5 kg
Numarul maxim de rotatii (rpm)	600
Tip rufe/Descriere	Lână care poate fi spălată în mașină (consultați etichetele de pe îmbrăcăminte)
QUICK 15'	
Temperatura de spalare	--, 20°C, 30°C, 40°C
Capacitate maxima rufe uscate	1 kg
Numarul maxim de rotatii (rpm)	800
Tip rufe/Descriere	Încărcături mixte de bumbac și materiale sintetice cu grad moderat de murdărire

RINSE+SPIN	
Temperatura de spalare	-
Capacitate maxima rufe uscate	10 kg
Numarul maxim de rotatii (rpm)	1400
Tip rufe/Descriere	Acest program conține în mod implicit două clătiri și centrifugare.
SPIN	
Temperatura de spalare	-
Capacitate maxima rufe uscate	10 kg
Numarul maxim de rotatii (rpm)	1400
Tip rufe/Descriere	Selectați manual durata și viteza de centrifugare
DRUM CLEAN	
Temperatura de spalare	90°C
Capacitate maxima rufe uscate	-
Numarul maxim de rotatii (rpm)	800
Tip rufe/Descriere	Program pentru eliminarea murdăriei și a reziduurilor bacteriene care se pot înmulți în mașină după ce aceasta a fost folosită pentru o perioadă, mai ales atunci când mașina este utilizată în mod regulat pentru spălări la temperaturi reduse
20°C	
Temperatura de spalare	-
Capacitate maxima rufe uscate	10 kg
Numarul maxim de rotatii (rpm)	1400
Tip rufe/Descriere	Acest program este destinat hainelor din bumbac cu un grad de murdarie redus, pentru un consum cat mai mic
SYNTH	
Temperatura de spalare	--,20°C,30°C,40°C,60°C
Capacitate maxima rufe uscate	2.5 kg
Numarul maxim de rotatii (rpm)	1200
Tip rufe/Descriere	Materiale sintetice moderat murdare, țesături din amestec de bumbac
SPORTS	
Temperatura de spalare	--, 20°C, 30°C, 40°C
Capacitate maxima rufe uscate	2.5 kg
Numarul maxim de rotatii (rpm)	1000
Tip rufe/Descriere	Îmbrăcăminte sport realizată din țesături din microfibre.
DARK WASH	
Temperatura de spalare	--, 20°C, 30°C, 40°C, 60°C
Capacitate maxima rufe uscate	5 kg
Numarul maxim de rotatii (rpm)	1000
Tip rufe/Descriere	Țesături închise la culoare din bumbac și textile închise la culoare ușor de întreținut
BABY CARE	
Temperatura de spalare	40°C, 60°C, 90°C
Capacitate maxima rufe uscate	2 kg
Numarul maxim de rotatii (rpm)	1400
Tip rufe/Descriere	Este potrivit pentru haine și lenjerie pentru bebeluși etc., care se sterilizează și dezinfectează prin abur la temperaturi ridicate.

Instrucțiuni privind programele

1. Programul „Eco 40-60” poate curăța rufe din bumbac cu un grad normal de murdărie declarate ca fiind lavabile la 40 °C sau la 60 °C, în cursul aceluiași ciclu; acest program este utilizat pentru a evalua conformitatea cu legislația UE privind proiectarea ecologică.
2. Consumul de putere al modului „oprit” este de 0,49W, iar cel al modului „standby” este de 0,49W.
3. Programele cele mai eficiente din punctul de vedere al consumului de energie și de apă sunt, în general, cele care funcționează la temperaturi mai scăzute și care au o durată mai lungă.
4. Încărcarea mașinii de spălat rufe de uz până la capacitatea indicată de producător pentru programele respective va contribui la realizarea de economii de energie și apă.
5. Utilizarea corectă a detergentilor, a balsamurilor de rufe și a altor aditivi. Nu utilizați prea mult detergent. Acest lucru poate afecta negativ rezultatele spălării.
6. Curățarea periodică, inclusiv frecvența optimă, și tratarea împotriva acumulării de calcar, precum și procedura aferentă.
7. Zgomotul și gradul de umiditate reziduală sunt influențate de viteza de centrifugare: cu cât viteza de centrifugare în faza de centrifugare este mai mare, cu atât zgomotul este mai mare și gradul de umiditate reziduală este mai mic.
8. Informațiile despre produs, eticheta privind consumul de energie și informațiile despre înregistrarea produsului pot fi obținute prin scanarea codului QR.

REȚINEȚI: Durata programului se poate modifica în funcție de cantitatea de rufe, de apa de la robinet, de temperatura ambientală și de funcțiile suplimentare selectate.

Program	Temperatură selectată	Capacitate nominală de spălare (kg)	Temperatură maximă în tambur	Durata programului (h:min)	Consum de energie (kWh/ciclu)	Consum de apă (litri/ciclu)	Grad de umiditate reziduală	Turație maximă atinsă (rpm)
Eco 40-60 full load		10	40	3:59	1.020	55	51.0	1400
Eco 40-60 half load	-	5	28	3:00	0.430	40	53.0	1400
Eco 40-60 1/4 load	-	2.5	24	3:00	0.220	30	53.5	1400
Cotton	60°C	10	55	3:29	1.560	108	53.0	1400
Mix	40°C	5	45	1:00	0.850	69	45.0	1400
Quick 15'	40°C	1	38	0:30	0.330	22	55.0	800
20°C	20°C	10	20	1:50	0.200	85	51.0	1400

Valorile furnizate pentru alte programe decât programul Eco 40-60 și ciclul de spălare sunt doar orientative

UTILIZAREA MAȘINII SETAREA PROGRAMELOR ȘI OPȚIUNI

1. BUTON PORNIRE / PAUZA

După ce ați selectat opțiunile și ați pus detergent în sertarul pentru detergent, apăsați butonul „Start / Pauză”.

2.FUNCȚII AUXILIARE

Cu mașina în standby, apăsați pe butonul „Options” pentru a selecta funcții suplimentare pentru programul curent. Selectați numai câte o singură funcție la fiecare apăsare, iar pictograma aferentă va clipi. După pornirea programului, acesta nu poate fi modificat.

SPIN - Selectarea vitezei de centrifugare Puteți ajusta viteza de centrifugare cu ajutorul butonului pentru setarea vitezei de centrifugare. Atunci când selectați un program nou, viteza maximă de centrifugare a programului selectat va fi afișată pe panou. Cu ajutorul butonului pentru selectarea vitezei, puteți modifica viteza de centrifugare.

TEMP. – Setarea temperaturii Fiecare program are setată o temperatură implicită. Dacă este necesar, apăsați butonul „Temp.” pentru ajustare. Dacă doriți să selectați PREWASH (Pre-spălare) sau EXTRA RINSE (clătire suplimentară), trebuie să apăsați butonul „Opțiuni” până când indicatorul corespunzător se aprinde.

PREWASH – Prespalare Selectați funcția pentru efectuarea pre-spălării, astfel încât să îmbunătățiți efectele de spălare și să eliminați mai bine petele. Această funcție este potrivită pentru hainele foarte murdare.

EXTRA RINSE – Clătire suplimentară După ce ați setat funcția de clătire suplimentară, programul rulează din nou procesul de clătire, iar timpul total de funcționare al programului crește în consecință.

3.FUNCȚIE DELAY END

Întârziere finalizare Funcția „Delay end” (Întârziere finalizare) permite funcționarea mașinii la ora stabilită de către utilizator, de exemplu, noaptea, când electricitatea este mai ieftină. Butonul pentru programarea spălării poate fi utilizat numai când mașina este în standby.

- După selectarea funcției de programare a spălării, durata programată crește cu câte 1h la fiecare apăsare a butonului de programare a spălării. Înainte de stabilirea duratei rămase până la finalizarea programului, dacă durata programului este mai mare de 1 oră, durata programată poate fi prelungită prin apăsarea repetată a butonului de programare, durata fiind mărită cu câte 1 oră la fiecare apăsare. Dacă programarea este selectată, aceasta poate fi anulată înainte de pornirea programului, prin rotirea butonului și selectarea altor programe.

- Durata de întârziere trebuie să fie mai mare decât durata programului de spălare, deoarece programul se încheie la expirarea duratei de întârziere. De exemplu: dacă durata programului selectat este 02:28, durata de întârziere selectată trebuie să fie cuprinsă între 03:00 și 24:00.

- Când programarea este activată, pictograma „programare” se aprinde. Când durata programată expiră, pictograma „programare” se stinge.

4. ANULAREA PROGRAMULUI SAU RESELECTAREA FUNCȚIILOR

1. Puneți butonul rotativ la poziția „Off” timp de 3 secunde, pentru a opri mașina.
2. Selectați noul program și opțiunile aferente.
3. Apăsați pe butonul „Start/Pauză” pentru a porni mașina fără a adăuga detergent suplimentar.

5. FINALIZAREA PROGRAMULUI

La finalizarea programului, ecranul afișează „End”. Dacă nu este acționat niciun buton timp de 2 minute, mașina se oprește automat.

6. BLOCARE UȘĂ

După pornirea programului, pictograma „Blocare ușă” se va aprinde, iar ușa va fi blocată. După finalizarea programului, ușa se deblochează automat. În caz de întrerupere a programului, dacă mașina permite deschiderea ușii, aceasta se va debloca, iar indicatorul luminos se va stinge. Când indicatorul luminos de blocare a ușii clipește, ușa nu trebuie deschisă cu forța, pentru a se evita rănirea.

7.BLOCAREA ÎMPOTRIVA ACȚIONĂRII DE CĂTRE COPII

Pentru siguranța copiilor, această mașină este prevăzută cu funcție de blocare împotriva acționării de către copii. La pornirea programului, apăsați și mențineți apăsat simultan butoanele „Temp+Spin”. Ecranul va afișa „Safe On”. După 2 secunde se va afișa timpul rămas până la finalizarea programului. Pentru dezactivarea funcției de blocare împotriva acționării de către copii, repetați aceeași operație. Ecranul va afișa „Safe Off”.

- Dacă funcția de blocare împotriva acționării de către copii este activă, butoanele funcționale sunt blocate, înafara butonul „Off”.
- Când opriți aparatul prin rotirea butonului de selectare a programelor la poziția „Off”, funcția de blocare împotriva acționării de către copii este dezactivată.
- După finalizarea programului, funcția de blocare împotriva acționării de către copii este dezactivată automat.

8. DEZACTIVAREA SEMNALELOR SONORE

Când aparatul este în standby, în pauză sau în funcțiune, apăsați și mențineți apăsată simultan butoanele „Spin” și „Delay end” timp de 2 secunde. Ecranul va afișa „Beep off”. Toate semnalele sonore, cu excepția avertizărilor sonore, vor fi dezactivate. Când semnalele sonore sunt dezactivate, apăsați și mențineți apăsată simultan butoanele „Spin” și „Delay end” timp de 2 secunde, până când ecranul afișează „Beep on”. Toate semnalele sonore vor fi activate.

9. PROGRAM FAVORIT

După selectarea programului, setarea fiecărui parametru și pornire, apăsați lung tasta Favourite timp de 3 secunde pentru a memora programul selectat, temperatura, viteza de rotație și alte setările aferente, iar apoi simbolul Favourite va fi aprins. Dacă schimbați programul sau apăsați alte taste, simbolul Favourite va fi stins. Atunci când simbolul nu este aprins, apăsați tasta Favourite scurt: programul va trece automat la programul memorat ultima data cu totii parametrii de timp, temperatura, viteza de rotație memorati ultima data. Când se folosește pentru prima dată, fara să fie memorat nici un program in avans, la apăsarea scurtă a tastei Favourite programul de bumbac și setările implicite vor fi afisate în mod implicit.

10. FUNCTIA „RELOAD IN PROCESS”

Dacă doriți să reîncărcați hainele în procesul de spălare, vă rugăm să apăsați butonul „▶||”.

Dacă ușa poate fi deschisă în acest proces, indicatorul de blocare a ușii va clipi. Până când indicatorul de blocare a ușii se stinge, puteți deschide ușa pentru a încărca hainele.

Dacă indicatorul de blocare a ușii nu clipește, acesta indică faptul că temperatura actuală este peste 50 °C sau că ați trecut timpul pentru reîncărcare în acest proces, și anume că nu este permis încărcarea hainelor în mașină.

11. CANTARIRE AUTOMATĂ

Dacă mașina de spălat afișează „--” după pornire, indicând că cântărește automat. Acesta va ajusta automat lungimea programului (ore: minute) în funcție de greutatea hainelor

12. STEAM

Apăsați scurt, adăugați funcția steam, iar pictograma pentru funcția steam se va aprinde intermitent. Apăsați de două ori pentru a anula funcția.

8. CURĂȚARE ȘI ÎNTREȚINERE

Exteriorul aparatului și panoul de comandă

- Pot fi curățate cu o cârpă moale, umedă.
- Se poate utiliza, de asemenea, puțin detergent neutru (neabraziv).
- Ștergeți cu o cârpă moale.

Garnitura ușii

- Curățați cu o cârpă umedă, dacă este necesar.
- Verificați periodic starea garniturii ușii.

Sertarul pentru detergent

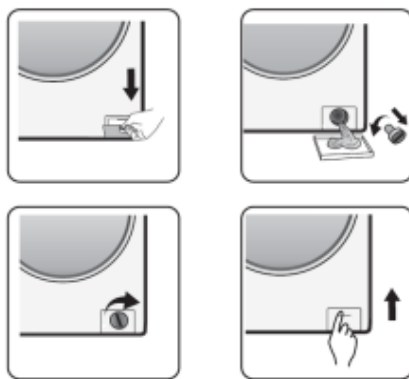
1. Apăsăți pe maneta de decuplare situată în compartimentul pentru spălare principală și scoateți sertarul (fig. C).
2. Scoateți sifonul din compartimentul pentru balsam (fig. D).
3. Spălați toate componentele sub jet de apă.
4. Montați sifonul în sertarul pentru detergent și puneți la loc sertarul.



Filtrul

Vă recomandăm să verificați și să curățați filtrul cu regularitate, cel puțin de două sau trei ori pe an. În special:

- Dacă aparatul nu evacuează apa în mod corespunzător sau dacă nu efectuează ciclurile de centrifugare.
 - Dacă pompa este blocată de un corp străin (de exemplu, nasturi, monede sau ace de siguranță).



Important: Asigurați-vă că apa s-a răcit înainte de a o evacua din aparat.

1. Opriți aparatul și deconectați ștecărul de la sursa de alimentare.
2. Introduceți o unealtă, cum ar fi o șurubelniță cu cap drept, în fanta deflectorului inferior, apăsați în jos cu putere pe deflectorul inferior și deschideți-l.
3. Așezați un recipient plat sub ușa filtrului, apoi evacuați apa reziduală cu ajutorul furtunului de evacuare (a se vedea secțiunea privind evacuare apei reziduale).
4. Slăbiți filtrul prin rotire în sens contrar acelor de ceasornic.
5. Așteptați până ce apa este scursă.
6. Desfaceți filtrul și scoateți-l complet.
7. Curățați filtrul și compartimentul filtrului.
8. Verificați dacă rotorul pompei se poate mișca.
9. Reintroduceți filtrul și înșurubați-l complet în sensul acelor de ceasornic.
10. Închideți capacul.
11. Conectați ștecărul de la sursa de alimentare.
12. Selectați și porniți un program.

Furtunul de alimentare cu apă

Verificați periodic furtunul de alimentare, pentru a observa dacă acesta este fragil sau prezintă fisuri. Dacă este necesar, înlocuiți-l cu un furtun nou de același tip.

Filtrul de sită pentru racordarea la apă

Verificați-l și curățați-l periodic.

Pentru mașinile de spălat prevăzute cu furtun de alimentare de tipul celui indicat în figura D:

1. Închideți robinetul și desfaceți furtunul de alimentare de pe robinet.
2. Curățați filtrul de sită interior și fixați din nou furtunul de alimentare pe robinet.
3. Desfaceți furtunul de alimentare din partea din spate a mașinii de spălat.
4. Scoateți cu un clește filtrul de sită din racordul mașinii de spălat, apoi curățați-l.
5. Puneți la loc filtrul de sită și fixați la loc furtunul de alimentare.
6. Deschideți robinetul și asigurați-vă că racordurile sunt perfect etanșe



9. REMEDIEREA PROBLEMELOR

În funcție de model, mașina dumneavoastră de spălat dispune de mai multe funcții automate de siguranță. Acest lucru permite detectarea la timp a defectelor, iar sistemul de siguranță poate reacționa în mod corespunzător. Aceste defecțiuni sunt adesea minore, putând fi remediate în câteva minute.

Mașina de spălat nu pornește, nu se aprinde niciun indicator luminos

Verificați dacă: • ștecărul este introdus în priză; • priza de perete funcționează corespunzător (utilizați o lampă de birou sau un aparat asemănător pentru a o verifica).

Mașina de spălat nu pornește, iar indicatorul „Start/Pauză” se aprinde intermitent Verificați dacă: • ușa este închisă corespunzător.

- butonul „Start/Pauză” a fost apăsat.
- indicatorul „Robinet de apă închis” s-a aprins. Deschideți robinetul de apă și apăsați pe butonul „Start/Pauză”.

Mașina de spălat se oprește în timpul programului

Verificați dacă: • ușa a fost deschisă, iar ledul indicator „Start/Pauză” se aprinde intermitent. Închideți ușa și apăsați din nou pe butonul „Start/Pauză”.

- dacă este prea multă spumă în mașină (mașina începe operația de eliminare a spumei). După un timp, mașina va reîncepe automat să funcționeze.
- sistemul de siguranță al mașinii de spălat a fost activat (consultați tabelul cu descrierile defecțiunilor).

Sertarul pentru detergent conține resturi de detergent și aditivi la finalizarea spălării Verificați dacă: • capacul de protecție din compartimentul pentru balsam de rufe și separatorul din compartimentul pentru spălare principală sunt instalate corespunzător în sertarul pentru detergent și toate componentele sunt curate

- alimentarea cu apă este suficientă. Filtrele de sită din racordul de alimentare cu apă pot fi înfundate
- poziția separatorului din compartimentul pentru spălare principală este adaptată pentru utilizarea detergentului pudră sau lichid (consultați secțiunea „Detergenți și aditivi”).

Mașina vibrează în timpul ciclului de centrifugare

Verificați dacă: • mașina de spălat este dreaptă și se sprijină bine pe toate cele patru picioare.

- șuruburile de transport au fost îndepărtate. Înainte de utilizarea mașinii, șuruburile de transport trebuie îndepărtate.

Rezultatele centrifugării finale sunt nesatisfăcătoare

Mașina de spălat dispune de un sistem de detectare și corectare a instabilității. Dacă sunt încărcate articole grele (de exemplu, halate de baie), acest sistem poate reduce automat viteza de centrifugare sau poate chiar întrerupe complet ciclul de centrifugare, dacă detectează o instabilitate prea mare, chiar și după mai multe porniri ale centrifugării, pentru a proteja mașina de spălat.

- Dacă rufe sunt încă prea umede la sfârșitul ciclului, scoateți câteva rufe și repetați ciclul de centrifugare.
- Formarea spumei în exces poate împiedica centrifugarea. Utilizați cantitatea corectă de detergent.
- Asigurați-vă că selectorul pentru viteza de centrifugare nu este setat la „0”.

CODURI DE EROARE

Afișajul indică „F01”

Mașina nu este alimentată cu apă sau cantitatea de apă este insuficientă. Efectuați următoarele verificări:

- Asigurați-vă că robinetul este deschis complet și că presiunea apei este suficientă.
- Asigurați-vă că furtunul de alimentare cu apă nu este îndoit.
- Asigurați-vă că sita filtrantă a furtunului alimentare cu apă nu este înfundată (consultați secțiunea referitoare la întreținere și depanare).
- Asigurați-vă că apa din conducte nu a înghețat.

Apăsăți pe butonul „Start/Pauză” după eliminarea erorii. Dacă eroarea apare din nou, contactați un service autorizat.

Afișajul indică „F03”

Apa din mașina de spălat nu este evacuată. Mașina de spălat oprește programul în timpul funcționării. Opriți mașina și deconectați ștecărul de la sursa de alimentare cu energie electrică. Efectuați următoarele verificări:

- Asigurați-vă că furtunul de evacuare nu este îndoit.
- Asigurați-vă că filtrul pompei de evacuare nu este înfundat (consultați secțiunea referitoare la curățarea filtrului pompei de evacuare). Important: Asigurați-vă că apa s-a răcit înainte de a o evacua din aparat.
- Asigurați-vă că apa din furtunul de evacuare nu a înghețat.

Conectați din nou aparatul la sursa de alimentare.

Selectați și porniți programul „Centrifugare” sau apăsați și mențineți apăsat butonul „Start/Pauză” timp de cel puțin 3 secunde, apoi reporniți programul dorit. Dacă eroarea apare din nou, contactați un service autorizat.

Dacă este afișat codul de eroare „F13”

Ușa nu este blocată corect. Porniți programul și lăsați-l să funcționeze timp de 20 de secunde, apoi deblocați ușa mașinii de spălat (PTC) pentru a verifica dacă aceasta este închisă corect.

Deschideți ușa și închideți-o.

După eliminarea erorii, apăsați pe butonul „Start/Pauză”. Dacă eroarea apare din nou, deconectați ștecărul de la sursa de alimentare cu energie electrică și contactați un service autorizat

Dacă este afișat codul de eroare „F14”

Eroare deschidere ușă.

Parcurgeți pașii de mai jos: Apăsăți pe butonul „Start/Pauză”. Mașina de spălat va încerca să deschidă ușa. Avertizarea nu va fi eliminată până când ușa nu este deblocată. Ca soluție alternativă, puneți butonul rotativ la poziția „Off” timp de 3 secunde, pentru a opri mașina. Alegeți programul dorit pentru a porni aparatul. Avertizarea va fi eliminată.

Dacă este afișat codul de eroare „F24”

Nivelul apei a atins limita de preaplin.

Apăsăți pe butonul „Start/Pauză”.

Selectați și porniți programul dorit. Dacă eroarea apare din nou, deconectați ștecărul de la sursa de alimentare cu energie electrică și contactați un service autorizat.

Dacă este afișat alt cod de eroare "F04", la "F98".

Eroare modul electronic. Puneți butonul rotativ la poziția „Off” timp de 3 secunde, pentru a opri mașina. După eliminarea erorii, apăsați pe butonul „Start/Pauză”.

Dacă eroarea apare din nou, deconectați ștecărul de la sursa de alimentare cu energie electrică și contactați un service autorizat.

Dacă este afișat codul de eroare „Unb”

Avertizarea privind instabilitatea aparatului poate fi îndepărtată după cum urmează:

1. Dacă rufele s-au aglomerat Puneți butonul rotativ la poziția „Off” timp de 3 secunde, pentru a opri mașina. Deschideți ușa, scuturați hainele și puneți-le din nou în mașina de spălat, apoi selectați programul de deshidratare pentru a le usca din nou.
2. Dacă rufele sunt prea ușoare Puneți butonul rotativ la poziția „Off” timp de 3 secunde, pentru a opri mașina. Deschideți ușa, puneți în mașină un prosop sau două, apoi selectați programul de deshidratare pentru a le usca din nou.

Înainte de a contacta un service autorizat

1. Încercați să remediați problema pe cont propriu (consultați secțiunea „Remediarea problemelor”)
2. Reporniți programul pentru a verifica dacă problema s-a rezolvat
3. Dacă mașina de spălat continuă să funcționeze incorect, contactați un service autorizat.

DATE TEHNICE

Informațiile tehnice se află pe plăcuța cu date tehnice din interiorul aparatului și pe eticheta energetică.

Codul QR de pe eticheta energetică furnizată împreună cu aparatul oferă un link web către informațiile din baza de date EPREL cu privire la performanțele aparatului.

Păstrați eticheta energetică pentru consultări ulterioare, împreună cu manualul de utilizare și cu toate celelalte documente furnizate împreună cu acest aparat.

De asemenea, puteți găsi aceleași informații în baza de date EPREL, folosind link-ul <https://eprel.ec.europa.eu> și denumirea modelului și numărul de serie al produsului, pe care le găsiți pe plăcuța cu date tehnice a aparatului.

Pentru a accesa informații despre produsul dumneavoastră în portalul EPREL, puteți scana codurile de mai jos:



Vă mulțumim pentru achiziționarea acestui produs! Dacă aveți nevoie de asistență în ceea ce privește produsul dumneavoastră, vizitați site-ul nostru web utilizând linkurile de mai jos.

Obțineți manuale de utilizare: <https://www.heinner.ro>

Obțineți informații privind reparațiile: <https://www.heinner.ro>



liminarea deșeurilor în mod responsabil față de mediu

Va informam ca persoanele fizice au urmatoarele obligatii prin legislatia specifica privind protectia mediului si regimul deșeurilor:

- Deșeurile de echipamente electrice si electronice (DEEE), pot contine substante periculoase pentru mediu si sanatatea umana. Conform OUG 5/2015, exista obligativitatea predarii acestora, pentru tratarea corespunzatoare si valorificarea componentelor reciclabile. Societatea Network One Distribution S.R.L. este platitoare de taxa de "timbru verde" pentru fiecare Echipament Electric si Electronic (EEE) pe care il pune pe piata. Acest cost asigura tratarea ulterioara a echipamentelor uzate colectate. Din acest motiv, odata ce devine deșeu, produsul EEE poate fi predat gratuit operatorului Dvs. de salubritate, la magazine atunci cand achizitionati alt echipament similar, sistemul "unul la unu" sau la punctul de colectare organizat de Primaria Sectorului / localitatii Dvs.
- Simbolul (marcajul) aplicat produselor, care indica faptul ca deșeurile DEEE, bateriile si acumulatorii - fac obiectul unei colectari separate, il reprezinta o pubela barata cu o cruce.



Aceste masuri vor ajuta la protejarea mediului

Societatea Network One Distribution S.R.L. este inregistrata in Registrul de punere pe piata a echipamentelor electrice si electronice, avand numarul de inregistrare: RO-2016-03-EEE-0201-IV. De asemenea, au fost intocmite si sunt gestionate: Registrul de Retragere EEE si Registrul de Rechemare EEE, in conformitate cu HG 322/2013. Totodata societatea este inregistrata in Registrul de punere pe piata a bateriilor, avand numarul de inregistrare: RO-2011-03-B&A-0283.

Conformitatea cu directiva RoHS: Produsul pe care l-ați cumpărat este conform cu Directiva RoHS UE (2011/65/UE). Nu conține materialele dăunătoare și interzise specificate în Directivă.

Va multumim ca participati alaturi de noi la protejarea mediului si a sanatatii umane!



HEINNER este marcă înregistrată a companiei **Network One Distribution SRL**. Celelalte branduri și denumirile produselor sunt mărci de comerț sau mărci de comerț înregistrate ale respectivilor deținători.

Nicio parte a specificațiilor nu poate fi reprodusă sub nicio formă și prin niciun mijloc, nici utilizată pentru obținerea unor derivate precum traduceri, transformări sau adaptări, fără consimțământul prealabil al companiei NETWORK ONE DISTRIBUTION.

Copyright © 2013 Network One Distribution. Toate drepturile rezervate.

www.heinner.com, <http://www.nod.ro>



Acest produs este proiectat și realizat în conformitate cu standardele și normele Comunității Europene.



Importator: **Network One Distribution**

Str. Marcel Iancu, nr. 3-5, București, România

Tel: +40 21 211 18 56, www.heinner.com, www.nod.ro

АВТОМАТИЧНА ПЕРАЛНА МАШИНА

Модел

HWM-HMK1014IVTA+++



- Автоматична перална машина
- Капацитет на натоварване: 10 кг
 - Енергиен клас: A

HEINNER

1. ВЪВЕДЕНИЕ

Моля, прочетете внимателно инструкциите и запазете ръководството за бъдеща информация.

Това ръководство е предназначено да даде всички необходими инструкции относно монтажа, използването и поддръжката на устройството. За да работите с устройството правилно и безопасно, моля, прочетете внимателно това ръководство преди монтажа и използването му.

2. СЪДЪРЖАНИЕ НА ВАШИЯ ПАКЕТ

- ➔ **Автоматична перална машина**
- ➔ **Ръководство за потребителя**
- ➔ **Гаранционен сертификат**

3. ИЗМЕРВАНИЯ НА БЕЗОПАСНОСТТА

1. Преди да пуснете в експлоатация новата Ви пералня, моля, прочетете внимателно тези инструкции. Не изхвърляйте този наръчник, а го запазете за бъдещи справки. Възможно е да имате нужда от него.
2. Уверете се, че контактът е заземен сигурно и че връзката с източника на вода е надеждна.
3. Този уред е предназначен за домашна употреба. Използването за търговски цели води до анулиране на гаранцията.
4. Уредът не е предназначен за използване от лица (включително деца) с намалени физически, сетивни или умствени проблеми, или с липса на опит и познания, освен ако са под наблюдение или са получили указания по отношение на използването на уреда от лице, което е отговорно за тяхната безопасност.
5. Уредът може да се използва от деца на възраст от 8 години и от лица с намалени физически, сетивни или умствени възможности, които нямат опит или познания само, ако са наблюдавани или обучени относно безопасната употреба на уреда и, ако разбират опасностите, свързани с употребата.
6. Децата трябва да бъдат под наблюдение, така че да не си играят с уреда. Не допускайте деца под 3 години около уреда само, ако не са под непрекъснат надзор.
7. Не позволявайте на домашни любимци да се приближават до уреда.
8. С цел предотвратяване на опасности, ако хранващият кабел е повреден, трябва да се подмени от производителя, от неговия сервизен представител или от лица с подобна квалификация.
9. Преди инсталиране проверете опаковката. След отстраняване на опаковката проверете външните повърхности на машината. Не използвайте уреди, които имат повреди или уреди, чиито опаковка е отворена.
10. Пералнята трябва да се инсталира от оторизирано лице. Всяка намеса спрямо уреда, извършена от неоторизирано лице, може да доведе до анулиране на гаранцията.
11. Преди да започнете да използвате пералнята, извадете 4-те транспортни болта от задната ѝ страна. Ако не са извадени болтовете, това може да причини вибрации, шум и несъответстващо функциониране на продукта, като гаранцията ще бъде анулирана.
12. Гаранцията на Вашия уред покрива дефекти, причинени от външни фактори (пестициди, пожар и др.).
13. Пералнята трябва да се инсталира само в закрити помещения. Околната температура, необходима за оптимално функциониране на уреда, е в диапазон между 15 и 25°C.
14. Използвайте уреда само за пране, което е посочено от производителя като подходящо за изпиране.
15. Моля, уверете се, че дрехите, които поставяте в уреда, нямат чужди предмети (пирони, гвоздеи, игли, монети, запалки, кибритени кутии или клечки, кламери, фиби и др.) в техните джобове. Тези чужди предмети могат да повредят уреда.

16. Препоръчва се първият цикъл на изпиране да се извършва без пране, при кратка програма, чрез поставяне на 30 мл перилен препарат в основното отделение на чекмеджето за препарати.
17. Тъй като перилният препарат и омекотителят, изложени на въздух за дълго време, могат да образуват остатъци, поставяйте перилния препарат и/или омекотителя в чекмеджето за препарати преди всеки цикъл на пране.
18. Ако няма да използвате уреда за дълго време, препоръчваме Ви да изключвате щепсела от източника на захранване и да затворите кранчето за вода. Също така, Ви препоръчваме да оставяте вратата на пералнята отворена, за да предотвратите образуването на неприятни миризми поради влага.
19. За уреди, предназначени за свързване към водопровод, максимално допустимото налягане на входа на водата е 1 MPa. Ако е необходимо за правилната работа на уреда, минималното допустимо налягане на входа на водата е 0,1 MPa.
20. Вследствие на извършените тестове и проверки по време на процедурите за контрол на качеството, може да е останало определено количество вода в пералнята. Това няма да причини повреда.
21. Запомнете, че опаковката на пералнята може да е опасна за децата.
22. Съхранявайте опаковката на място, което е недостъпно за деца, или я изхвърлете по съответстващ начин.
23. Използвайте програмите за предпране само за много замърсени дрехи.
24. Не отваряйте чекмеджето за препарати, докато е включен уредът.
25. В случай на неизправност, първо изключете уреда от източника на захранване, след това затворете кранчето. Не се опитвайте да ремонтирате уреда сами. Обръщайте се всеки път към оторизиран сервиз.
26. Количеството пране, което поставяте в пералнята, не трябва да надвишава максимално посоченото количество.
27. Не насилвайте отварянето на врата, докато е включен уредът.
28. Изпирането на облекло, което е замърсено с брашно, води до повреждане на уреда. Не поставяйте в уреда облекло, което е замърсено с брашно.
29. Този уред е предназначен за използване в жилища и в други подобни обекти, като например: кухни за персонала от магазини, офиси и други работни среди; в домакинствата и от клиенти на хотели, мотели и други жилищни среди; среди от тип пансион с предлагана закуска; в зони, предназначени за общо ползване в жилищни блокове или в перални помещения.

Необходимо е да прочетете внимателно тези предупреждения. По този начин, може да бъде осигурена както Вашата защита, така и на близките Ви, от опасности и сериозни наранявания.

ОПАСНОСТ ОТ ИЗГАРЯНИЯ!

Не докосвайте маркуча за отвеждане и отведената вода, тъй като могат да достигнат високи температури по време на работа на уреда.

ОПАСНОСТ ОТ ТОКОВ УДАР!

1. Не използвайте адаптери за електрически контакти или удължителни кабели.
2. Не включвайте щепсела в повредени контакти.
3. Не дърпайте захранващия кабел, за да изключате уреда от източника на захранване с електроенергия, а хващайте за щепсела и издърпайте го от контакта.
4. За да се предотврати токов удар, не включвайте щепсела в контакта и не го изключвайте от контакта с мокри ръце.
5. Не докосвайте уреда с мокри ръце или крака.
6. Ако захранващият кабел се повреди, обадете се на най-близкия оторизиран сервиз, за да се подмени.

ОПАСНОСТ ОТ ПОЖАР!

1. Не съхранявайте запалими течности в близост до уреда.

2. Съдържанието на сярата в декапиращи средства може да доведе до повреждане на уреда чрез корозия. Поради тази причина, Ви препоръчваме да не използвате декапиращи средства във Вашия уред.

3. Не използвайте във Вашия уред продукти, които съдържат разтворители (като например газ за почистване).

4. Изваждайте всички предмети от джобовете на дрехите (игли, кламери, фиби, запалки, кибритени клечки и др.), преди да ги поставите в уреда.

Опасност от пожар и експлозия!

ОПАСНОСТ ОТ НАВОДНЕНИЕ!

1. Проверявайте дали водата тече бързо или не, преди да поставите маркуча за отвеждане в мивката.

2. Вземайте необходимите мерки, за да предотвратявате подхлъзването на маркуча.

3. Налягането на водата може да разкачи маркуча, ако не е фиксиран по съответстващ начин. Уверете се, че тапата на мивката не запушва дренажния отвор.

ОПАСНОСТ ОТ ПАДАНЕ И НАРАНЯВАНЕ!

1. Не се качвайте върху уреда. Горният капак на уреда може да се счупи и, следователно, може да Ви нарани.

2. Поставете маркуча, хранящия кабел и опаковката на уреда по съответстващ начин, докато го инсталирате. В противен случай, може да се спънете и да паднете.

3. Не поставяйте уреда върху страничните части и не го обръщайте обратно с горната част надолу.

4. Не вдигайте уреда като го хващате за вратата или за чекмеджето за препарати. Тези компоненти могат да се счупят и, следователно, могат да Ви наранят.

5. Опасността от спъване и нараняване може да се появи, ако компоненти като маркуча и кабелите не са разположени по съответстващ начин след инсталиране на уреда.

Уредът трябва да се транспортира от минимум 2 лица.

БЕЗОПАСНОСТ ЗА ДЕЦАТА

1. Не оставяйте деца без надзор в близост до уреда. Децата могат да се заключат във вътрешността на уреда, като може да се появи опасност от сериозно нараняване или смърт. Децата трябва да бъдат под наблюдение, така че да не си играят с уреда. Не позволявайте на децата да си играят с уреда или да влизат в барабана.

2. По време на функциониране на уреда, вратата и повърхността му може да са много горещи. Следователно, докосването на уреда от деца може да ги изложи на изгаряния и наранявания.

3. Не оставяйте опаковките на достъпни места за деца.

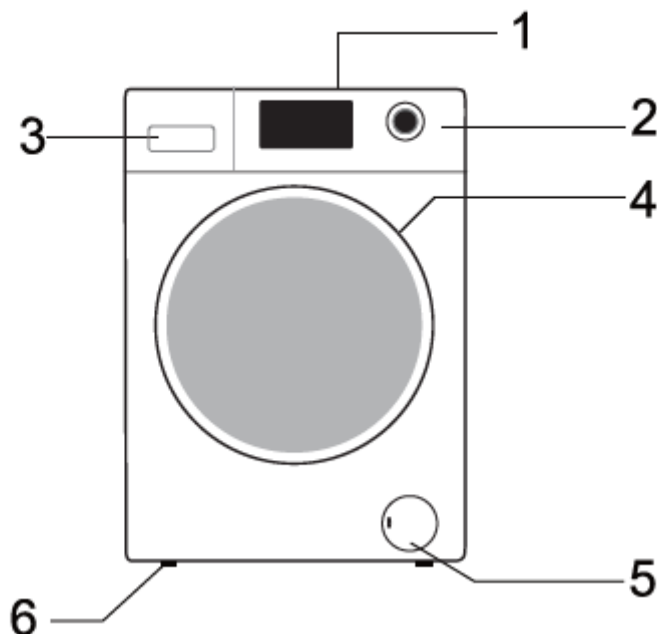
4. При поглъщане на перилен препарат или почистващи вещества или ако влязат в контакт с кожата или очите, може да възникне отравяне и дразнене. Не оставяйте почистващи препарати на места, които са достъпни за деца.

Информация относно спестяването на електроенергия

Ето някои важни сведения за повишаване на ефективността на Вашия уред:

Количеството пране, което поставяте в пералнята, не трябва да надвишава максимално посоченото количество. Това ще позволи на уреда да работи в режим на енергоспестяване. За да спестявате електроенергия и вода, не използвайте функцията за предпране на дрехи с ниска и нормална степен на замърсяване.

4. ОПИСАНИЕ НА ПРОДУКТА

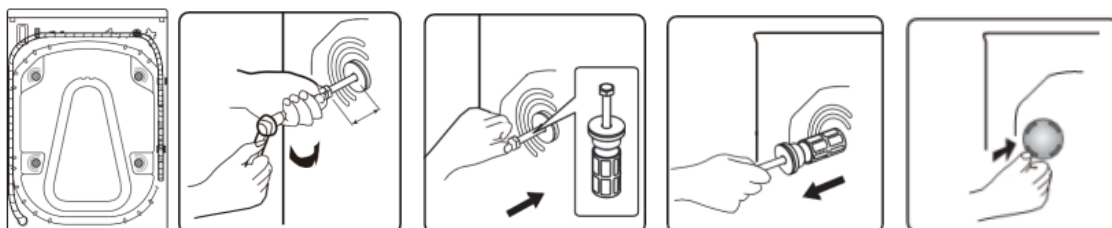


1. Работен плот
2. Контролен панел
3. Чекмедже за перилни препарати
4. Врата
5. Плинт, покриващ достъпа до помпата
6. Регулируеми крачета

5. ИНСТАЛИРАНЕ

Изваждане на транспортните болтове

1. Преди да започнете да използвате пералнята, извадете 4-те транспортни болта от задната ѝ страна. Ако не са извадени болтовете, това може да причини вибрации, шум и несъответстващо функциониране на продукта, като гаранцията ще бъде анулирана.
2. Транспортните болтове трябва да се разхлабват чрез завъртане по посока на стрелката, като се използва съответстващ ключ.
3. Бутнете два транспортни болта навътре в хоризонтално положение и разхлабете ги.
4. Транспортните болтове трябва да се извадят чрез издърпане.
5. За безопасност и намаляване на шума, монтирайте предоставените пластмасови капачки в отворите за болтове. Поставете капачките в отворите и притискайте ги, докато чуете едно щракване, което показва съответстващото им фиксиране.
6. Транспортните болтове трябва да бъдат съхранявани с цел евентуална бъдеща употреба.



ЗАБЕЛЕЖКА: Преди първата употреба на уреда, е задължително да извадите транспортните болтове. Дефекти, появили се при използване на уреда с монтирани транспортни болтове, не се покриват от гаранцията.

Регулиране на крачетата

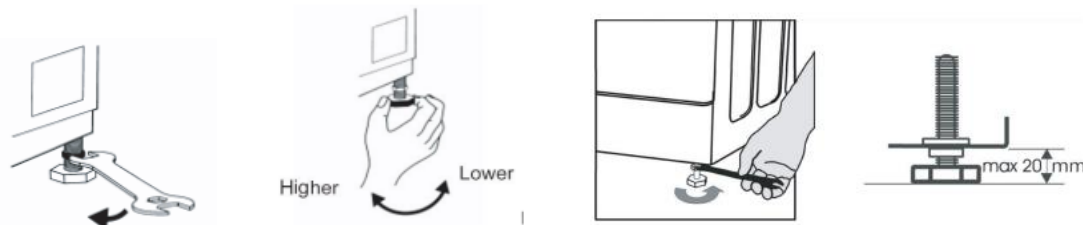
Не инсталирайте уреда върху килими, мокети или други повърхности, които могат да възпрепятстват проветряването на основата. За да осигурите тиха работа на Вашия уред, и без вибрации, инсталирайте го върху стабилна, хоризонтална и равна повърхност. Може да нивелирате уреда с помощта на регулируемите крачета. Разхлабете пластмасовата регулираща гайка.

Вдигнете леко уреда и регулирайте височината на крачетата чрез тяхното завъртане.

След като нивелирате уреда, затегнете пластмасовата регулираща гайка.

Не поставяйте парчета картон, дървени подложки или други подобни материали под уреда, за да го нивелирате.

Когато почиствате пода, където е поставен уредът, внимавайте да не нарушите регулировката на крачетата.



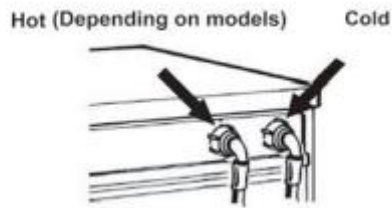
Свързване към източник на захранване с електроенергия

- Вашата пералня изисква захранване от източник 220-240V ~ и 50Hz.
- Захранващият кабел на пералнята е снабден със щепсел със заземителен щифт. Този щепсел трябва да се включва в заземен контакт от 10 ампера.
- Големината на тока на електрическия предпазител трябва да бъде 10 ампера. Големината на тока на предпазителя на енергозахранващата линия, към която е свързан щепселът, трябва да бъде, също така, 10 ампера.
- Ако не разполагате с такъв контакт, както и със съответстващ предпазител, моля, обърнете се към услугите на квалифициран електротехник.
- Не поемаме отговорност за щети, които са се появили вследствие на употреба без заземяване.

ЗАБЕЛЕЖКА: При използване на уреда, като се захранва от източник с ниски стойности на напрежението, се намалява неговия експлоатационен живот и неговата производителност.

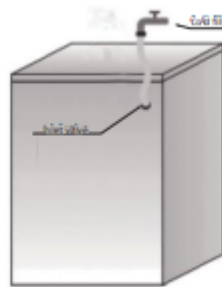
СВЪРЗВАНЕ НА МАРКУЧА ЗА ЗАХРАНВАНЕ С ВОДА

- В зависимост от характеристиките на уреда, може да бъде оборудван с обикновена дюза за захранване с вода (само студена вода) или с двойна дюза (топла и студена вода). Маркучът с бял край трябва да се свързва към дюзата за захранване със студена вода, а маркучът с червен край трябва да се свързва към дюзата за захранване с топла вода (при уреди, оборудвани с двойна дюза за захранване с вода).
- Свържете маркучите за захранване с вода към кранче с резба $\frac{3}{4}$ ".
- Ако маркучът за захранване с вода още не е вече инсталиран, трябва да се фиксира върху уреда. Маркираният маркуч в синьо е само за студена вода. В зависимост от модела е необходимо и фиксирането на маркуча за топла вода, маркиран в червено, за моделите с дюза за двойно захранване. Завийте ръчно маркуча за захранване към кранчето чрез затягане на гайката.



- Водният поток с налягане 0,1-1 МРа ще позволи на Вашия уред да работи по-ефективно (налягане 0,1 МРа означава, че ще текат минимум 8 литра вода в минута, когато кранчето е напълно отворено).
- След като осъществите всички връзки, отворете внимателно кранчето за вода и се уверете, че няма течове.
- Уверете се, че новите маркучи за захранване с вода не са усукани, скъсани, смачкани и преоразмерени.
- Свържете маркуча за захранване към крана за студена вода и към входящия клапан в задната част на машината.

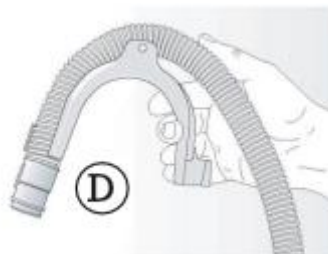
Захранване със студена вода



Забележка: Пералнята трябва да се свързва към водопровода, като се използват само предоставените нови маркучи за захранване с вода. Не използвайте стари, износени или повредени маркучи за захранване с вода.

Връзка за отвеждане на водата

- Не се опитвайте да удължите маркуча за отвеждане на водата чрез снаждане.
- Не поставяйте маркуча за отвеждане в съд/контейнер или кофа.
- Уверете се, че маркучът за отвеждане не е огънат, смачкан или удължен.
- Свържете маркуча за отвеждане към канализационната система или закачете го на ръба на мивка с помощта на коляното във формата на „U“.
- Фиксирайте коляното във формата на „U“ (D), ако вече не е инсталирано, в края на маркуча за отвеждане.



- Ако пералната машина е свързана с вградена система за изпомпване, тя трябва да бъде снабдена с отдушник, за да се избегне едновременното зареждане и изпускане на вода (сифонен ефект).
- Уверете се, че маркучът за отвеждане не е огънат. Фиксирайте маркуча, така че да не може да падне. След изпиране машината ще отвежда гореща вода.
- Не се препоръчват малки мивки.

- Закрепете добре дренажния маркуч, за да предотвратите попарване по време на отвеждане на водата.

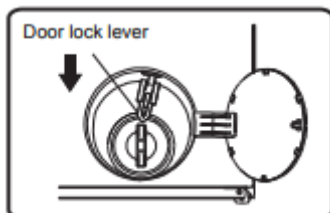


Аварийно отваряне на вратата

В случай на невъзможност за отваряне на вратата поради прекъсване на електрозахранването или други специални обстоятелства, лостът за заключване на вратата на дренажната помпа може да се използва за аварийно отваряне.

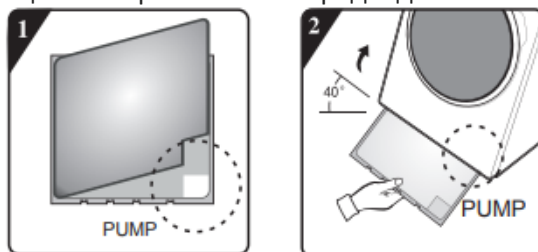
Забележка:

1. Не работете, когато машината работи нормално.
2. Преди работа се уверете, че вътрешният варел е спрял да се върти, без висока температура и нивото на водата е по-ниско от входа за дрехи. Ако нивото на водата е по-високо от входа за дрехи, източете водата през тръбата за източване (ако има такава) или чрез бавно отвиване на филтъра.
3. Метод на работа: Отворете капака на вратата на дренажната помпа, издърпайте надолу лоста за заключване с помощта на инструмент и след това вратата може да се отвори (посочено на фигурата).



Инструкции за инсталиране на долния капак с цел намаляване на шума

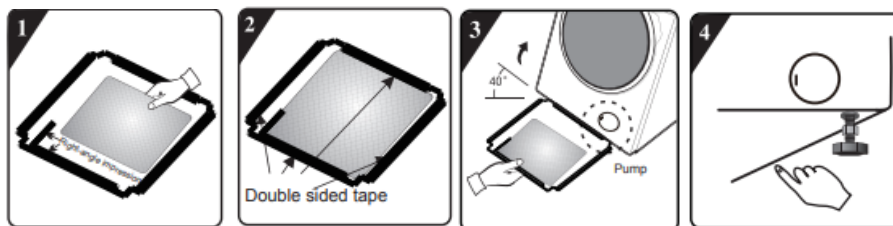
А. Залепете шумоизолираща вата върху долния капак, като вземете предвид положението на помпата. Наклонете пералнята при 30°-40°. При инсталиране на долния капак, моля, ориентирайте шумоизолиращата страна с лицето нагоре и вземете предвид положението на помпата.



1. Преди да инсталирате шумоизолиращия долен капак, подравнете и залепете шумоизолиращата вата, като следвате маркировките в прав ъгъл върху долния капак (тази процедура не е необходима при модели без шумоизолираща вата).
2. Отстранете хартията от двойнозалепащата лента от четирите страни на долния капак.
3. Наклонете машината под ъгъл 40° и поставете частта с нарез под прав ъгъл, насочена към предната част на пералнята, както е показано на фигурата. Вкарайте частта с нарез под тъп ъгъл между двете

кращета в задната част на пералнята. Инсталирайте долния капак и се уверете, че се допира до цялата долна страна на пералнята.

4. Натиснете с ръка върху двойнозалепащата лента от четирите страни, за да фиксирате добре шумоизолиращия капак към корпуса на машината.



6. ЗПОЛЗВАНЕ НА ПРОДУКТА

Бързо включване

Преди употреба на пералнята, уверете се, че е инсталирана по съответстващ начин. Преди първото изпиране на дрехи, пералнята трябва да извърши един пълен цикъл на изпиране, без пране, поставено вътре в нея.

1. Преди изпиране

Запомнете!

Зареждането с перилен препарат на отделение "I" е необходимо само при избор на функцията за предпране за пералните, които имат тази функция

2. Изпиране

-Включете пералнята

-Изберете кратка програма

-Включете програмата за изпиране

Преди всяко изпиране

Температурата за функциониране на пералната машина трябва да се намира в интервала (0-40)°C. Ако пералнята се съхранява в среда с температура 0°C или по-ниска, уредът трябва да се премести в среда с по-висока температура, за да се уверите, че маркучът за захранване с вода и този за извеждане не са замръзнали преди употреба.

Преди да започнете изпирането, прочетете информацията върху етикетите и обясненията във връзка с начина на употреба на перилния препарат. Използвайте перилни препарати, които не образуват пяна или които образуват малко количество пяна и са подходящи за перална машина.

Сортиране на прането

- Вашето пране има етикети, които включват инструкции за съответстващо изпиране. Изпирайте или изсушавайте прането съгласно инструкциите върху етикетите.

- Сортирайте прането по категории (памук, синтетично, деликатно, вълна и др.), температура на пране (студена вода, 30°C, 40°C, 60°C, 90°C), степен на замърсяване (леко замърсено, мръсно, много мръсно).

- Не изпирайте цветно и бяло пране заедно.

- Изпирайте цветното пране отделно, в първия цикъл на пране, тъй като може да се обезцвети.

- Уверете се, че в джобовете на Вашето пране няма метални предмети, а ако има такива, извадете ги.

ВНИМАНИЕ: Дефекти, причинени поради попадане на чужди вещества в пералнята, не се покриват от гаранцията.

- Издърпайте циповете и затворете копчетата на Вашето пране.

- Отстранявайте металните или пластмасовите кукички на пердетата или завесите, или поставяйте пердетата и/или завесите в мрежа за пране на дрехи.

- Обръщайте наопаки артикули като панталони, трикотаж, тениски и спортна екипировка.
- Поставяйте чорапите, носните кърпички и други видове дрехи с малки размери в мрежа за пране.

Поставяне на пране в пералнята

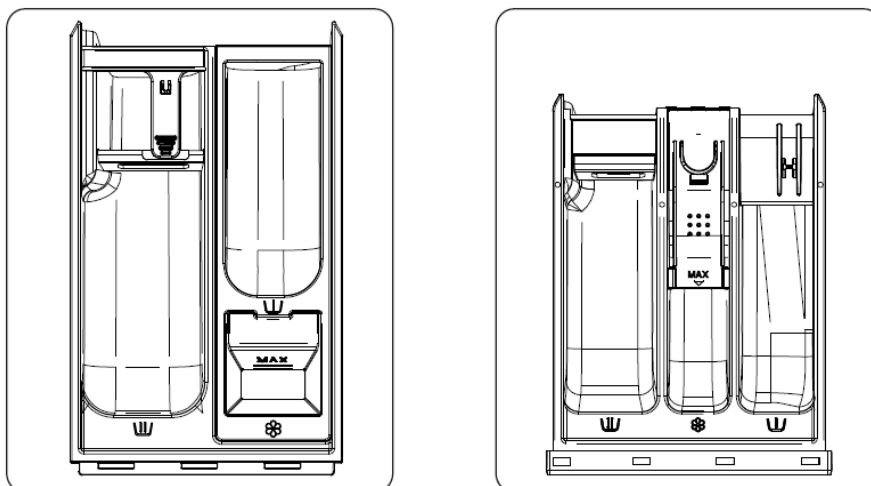
- Отворете вратата на пералнята.
- Разпределете прането равномерно в пералнята.

ЗАБЕЛЕЖКА: Максималният капацитет на товароносимост може да се различава в зависимост от вида на прането, степента на замърсяване и избраната програма. Не превишавайте максималния капацитет на товароносимост, посочен в таблицата с програмите за пране.

Добавяне на перилния препарат в пералнята

Винаги използвайте високоефективни препарати за миене за перални машини с предно зареждане, които образуват малко количество пяна. Изборът на перилен препарат зависи от: типа на тъканите (памук, синтетика, фини тъкани, вълна); цвят; температурата на пране; степента и типа на замърсяване. **Забележка:** Белезникавите остатъци върху тъмните тъкани се дължат на неразтворими компоненти, използвани в съвременните прахове за пране, несъдържащи фосфати. Ако това се случи, изтръскайте или изчеткайте тъканта, или използвайте течни перилни препарати. Използвайте само перилни препарати, предназначени специално за домашни перални машини. Ако използвате препарати против котлен камък, багрила или избелители, се уверете, че те са подходящи за употреба в перални машини. В препарата против котлен камък може да се съдържат компоненти, които увреждат части от пералната машина. Не използвайте разтворители (напр. терпентин, бензин).

Чекмедже за препарати



- Отделение за перилен препарат, необходим за предпране:

Това отделение трябва да се използва само когато е избрана функцията за предпране. Използването на функцията за предпране се препоръчва при много замърсено пране.

- Отделение за перилен препарат, необходим за основно пране:

В това отделение може да поставяте само продукти като перилни препарати (течни или на прах), препарати за отстраняване на петна и препарати за омекотяване на водата.

- Отделение за омекотител/ароматизатор:

Може да поставяте в това отделение омекотител или течен препарат за колосване. Не превишавайте нивото, обозначено със знак „MAX“.

7. ПРОГРАМИ



COTTON	
Температура на изпиране	--, 20°C, 30°C, 40°C, 60°C, 95°C
Максимално количество сухо пране	10 кг
Максимални обороти при центрофугиране (об./мин.)	1400
Вид на прането/описание	Памук или лен с висока или нормална степен на замърсяване За изделия с висока степен на замърсяване изберете функция
ALLERGY STEAM	
Температура на изпиране	40°C, 60°C
Максимално количество сухо пране	2.5 кг
Максимални обороти при центрофугиране (об./мин.)	1400
Вид на прането/описание	Тази програма е подходяща за тъкани, устойчиви на висока температура и по-малко цветни; премахва алергени като тичинков прашец, акари и паразити с помощта на пара при висока температура.
ECO 40-60	
Температура на изпиране	-
Максимално количество сухо пране	10 кг
Максимални обороти при центрофугиране (об./мин.)	1400
Вид на прането/описание	Памучно пране с нормална степен на замърсяване.
MIX	
Температура на изпиране	--, 20°C, 30°C, 40°C
Максимално количество сухо пране	5 кг
Максимални обороти при центрофугиране (об./мин.)	1400
Вид на прането/описание	Смесено пране от памук и синтетични материали с умерена степен на замърсяване.
WOOL	
Температура на изпиране	--, 20°C, 30°C, 40°C
Максимално количество сухо пране	2.5 кг
Максимални обороти при центрофугиране (об./мин.)	600
Вид на прането/описание	Вълна, която е подходяща за машинно пране (вижте етикетите на дрехите).

QUICK 15'	
Температура на изпиране	--, 20°C, 30°C, 40°C
Максимално количество сухо пране	1 кг
Максимални обороти при центрофугиране (об./мин.)	800
Вид на прането/описание	Памук, смесен текстил. Артикули, носени за кратко време или наскоро закупени.
RINSE+SPIN	
Температура на изпиране	-
Максимално количество сухо пране	10 кг
Максимални обороти при центрофугиране (об./мин.)	1400
Вид на прането/описание	Тези програми съдържат по подразбиране две изплаквания и центрофугиране.
SPIN	
Температура на изпиране	-
Максимално количество сухо пране	10 кг
Максимални обороти при центрофугиране (об./мин.)	1400
Вид на прането/описание	Изберете ръчно скоростта на центрофугиране.
DRUM CLEAN	
Температура на изпиране	90°C
Максимално количество сухо пране	-
Максимални обороти при центрофугиране (об./мин.)	800
Вид на прането/описание	Програма за отстраняване на мръсотия и бактериални остатъци, които могат да се размножават в машината, след като е била използвана за определен период от време, особено когато машината се използва редовно за пране при ниски температури.
20 °C	
Температура на изпиране	-
Максимално количество сухо пране	10 кг
Максимални обороти при центрофугиране (об./мин.)	1400
Вид на прането/описание	Изделия от синтетични влакна като възглавници, покривки за легло, одеяла, олекотени завивки; подходяща и за пухени изделия.
SYNTH	
Температура на изпиране	--, 20°C, 30°C, 40°C, 60°C
Максимално количество сухо пране	2.5 кг
Максимални обороти при центрофугиране (об./мин.)	1200
Вид на прането/описание	Умерено замърсени синтетични и смесени памучни тъкани
SPORTSWEAR	
Температура на изпиране	--, 20°C, 30°C, 40°C
Максимално количество сухо пране	2 кг
Максимални обороти при центрофугиране (об./мин.)	1000
Вид на прането/описание	Спортно облекло, произведено от микрофибърна тъкан.

DARK WASH	
Температура на изпиране	--, 20°C, 30°C, 40°C, 60°C
Максимално количество сухо пране	5 кг
Максимални обороти при центрофугиране (об./мин.)	1000
Вид на прането/описание	Тъмен памучен текстил и тъмен текстил, лесен за поддръжка.
BABY CARE	
Температура на изпиране	40°C, 60°C, 90°C
Максимално количество сухо пране	2 кг
Максимални обороти при центрофугиране (об./мин.)	1400
Вид на прането/описание	Тази програма е подходяща за бебешки дрехи и бельо, които са стерилизирани и дезинфекцирани с пара при високи температури

Инструкции относно програмите

1. Програмата „Еко 40-60“ може да почиства памучни дрехи с нормална степен на замърсяване, обявени като подходящи за изпиране при 40°C или 60°C по време на същия цикъл; тази програма се използва, за да се оцени съответствието със законодателството на ЕС относно екологичното проектиране.
2. Консумацията на енергия в режим „изключено“ е 0,49 W, а в режим „готовност“ е 0,49 W.
3. Най-ефективните програми от гледна точка на разхода на електроенергия и вода в общи линии са тези, които работят при по-ниски температури и които имат по-дълго времетраене.
4. Зареждането на пералнята за домашна употреба до капацитета, който е посочен от производителя за съответните програми, ще допринесе за постигане на икономия на електроенергия и вода.
5. Правилно използване на препарати за миене, на омекотители за пране и на други добавки. Не използвайте твърде много препарат за миене. Това може да има отрицателен ефект спрямо резултатите от изпирането.
6. Периодично почистване, включително оптималната честота, и третиране срещу натрупване на котлен камък, както и свързаната с това процедура.
7. Шумът и остатъчната степен на влажност се влияят от скоростта на центрофугиране: колкото по-висока е скоростта на центрофугиране във фазата на центрофугиране, толкова по-висок е шумът и по-ниска степента на остатъчна влага.
8. Информацията за продукта, етикетът за разхода на електроенергия и информацията за регистрация на продукта могат да бъдат получени чрез сканиране на QR кода.

ЗАБЕЛЕЖКА: Продължителността на програмата може да варира в зависимост от Количеството пране, водата от тръбопроводната инсталация, околната температура и избраните допълнителни функции.

Програма	Избрана температура	Номинален капацитет на изпиране (кг)	Максимална температура при барабана	Времетраене на програмата (час:минути)	Разход на електроенергия (kWh/цикъл)	Разход на вода (л/цикъл)	Степен на остатъчна влага	Достигнати максимални обороти (об/мин)
Eco 40-60 full load		10	40	3:59	1.02	55	51.0	1400
Eco 40-60 half load	-	5	28	3:00	0.43	40	53.0	1400
Eco 40-60 1/4 load	-	2.5	24	3:00	0.22	30	53.5	1400
Cotton	60°C	10	55	3:29	1.56	108	53.0	1400
Mix	40°C	5	45	1:00	0.85	69	45.0	1400
Quick 15'	40°C	1	38	0:30	0.33	22	55.0	800
20°C	20°C	10	20	1:50	0.20	85	51.0	1400

ОПЦИИ ЗА ПРОГРАМИТЕ

1. СТАРТИРАНЕ НА ПРОГРАМА

Включете уреда, изберете желаната програма и желаните функции, след което натиснете върху бутона „Старт/Пауза“, за да стартирате програмата.

2. СПОМАГАТЕЛНИ ФУНКЦИИ

PRE WASH (Предпране)

Изберете тази функция с цел извършване на предварително изпиране, така че ефектите от изпирането да бъдат подобрени и петната да бъдат премахнати по-ефективно. Тази функция е подходяща за пране с висока степен на замърсяване.

EXTRA RINSE (Допълнително изплакване)

Ако се активира функцията допълнително изплакване, програмата ще стартира още веднъж процеса на изплакване преди да използва омекотителя, а общата продължителност на програмата ще се увеличи.

INTENSIVE(Интензивна) - Функцията може да се избере, за да се удължи времето за пране, да се засили ефектът от прането и да се отстранят по-добре петната.

ПРОМЯНА НА ПРОГРАМАТА ИЛИ НА СПОМАГАТЕЛНИТЕ ФУНКЦИИ ПО ВРЕМЕ НА РАБОТА

Поставете бутона за избиране на програми в положение „OFF“ за 3 секунди, за да изключите пералнята.

Стартирайте пералнята отново и изберете нова програма и желаните спомагателни функции. Ако е необходимо, изберете обороти за центрофугиране.

Натиснете отново върху бутона „Старт/Пауза“, за да стартирате новата програма. Не добавяйте повече перилен препарат.

3. ПРИКЛЮЧВАНЕ НА ПРОГРАМАТА

В края на програмата върху дисплея се изписва „End“ и вратата се отключва. Ако ротационният бутон е в положение „OFF“, захранването с електроенергия ще бъде изключено. Ако не е задействан нито един бутон за 2 минути, пералнята ще се изключи автоматично.

1. Поставете бутона за избиране на програми в положение „OFF“, за да изключите пералнята;

2. Затворете кранчето;

3. Отворете вратата и извадете изпраните дрехи;

4. Оставете претворена вратата, за да отстраните влажността от барабана.

4. DELAY END – Забавяне на завършването на програмата

Функцията „Delay end“ (Забавяне на завършването на програмата) позволява пералнята да започне да работи в зададения от потребителя час, например през нощта, когато електроенергията е по-евтина.

Когато пералнята се намира в режим на готовност, натиснете и задръжте натиснати бутоните „Temp.“ и „Spin“, за да активирате или дезактивирате функцията „Delay end“. Натиснете върху бутона „Temp.“, за да намалите програмираното време и натиснете върху бутона „Spin“, за да увеличите програмираното време. След активиране на функцията за програмиране, натискането на бутоните „Temp.“ и „Spin“ няма да

променя вече параметрите на програмата. При всяко натискане на бутона продължителността се променя с 1 час. Времето за забавяне трябва да бъде по-дълго от продължителността на програмата за изпиране, тъй като програмата приключва, когато изтече периодът на забавяне. Например: ако продължителността на избраната програма е 02:28, избраното време за забавяне трябва да бъде между 03:00 и 24:00. Когато е активирано програмирането, пиктограмата „програмиране“ ще светне.

Когато изтече програмираното време, ще изгасне пиктограмата „програмиране“ и ще светне пиктограмата „оставащо време“.

За да отмените функцията „Delay End“, завъртете селектора на програми в друго положение, след което натиснете върху бутона „Старт/Пауза“.

5. ЗАКЛЮЧВАНЕ ПРОТИВ ЗАДЕЙСТВАНЕ ОТ ДЕЦА

За безопасност на децата, тази пералня е оборудвана с функция за заключване против задействие от деца.

Когато стартирате програмата, натиснете и задръжте натиснати едновременно бутоните „Spin + Options“ за 2 секунди. Функцията за заключване против задействие от деца е активирана и светва светлинният индикатор, съответстващ за функцията.

Ако е активна функцията за заключване против задействие от деца, функционалните бутони (с изключение на бутона „OFF“) са заключени.

След приключване на програмата, функцията за заключване против задействие от деца ще бъде дезактивирана автоматично. Функцията за заключване против задействие от деца ще се дезактивира в случай на поява на съобщение за грешка.

При ръчно изключване на пералнята или прекъсване на захранването с електроенергия ще се дезактивира функцията

6. ОТВАРЯНЕ/ЗАТВАРЯНЕ НА ВРАТАТА

За да се подобри безопасността на децата, тази машина е оборудвана с функция Child Lock. Кога програмата стартира, натиснете бутона „Темп. +Центрофуга“ за 2 секунди. Машината ще изпиука веднъж. Сипеят ще покаже „SAFE On“. След 2 секунди ще се покаже екранът програмата остави време. Повторете тази операция, машината ще изпиука веднъж. Екранът ще покаже "SAFE OFF",

защитата за деца ще бъде освободена. Когато е настроено заключване за деца, всички функционалните бутони с изключение на „Изкл.“ ще бъдат екранирани. След като бъде избрана която и да е функция освен „Изкл.“, машината ще издаде звуков сигнал. Екранът ще покаже „SAFE On“ за 2 секунди. След като програмата приключи, функцията за заключване за деца ще се активира освобождаване автоматично. Всяка аларма за грешка ще освободи функцията Child Lock. Ръчното изключване и включване на машината ще нулира машината. Функцията Child Lock не може да бъде зададена, когато машината е в режим на готовност.

7. ЗАКЛЮЧВАНЕ НА ВРАТАТА

След стартиране на програмата ще светне пиктограмата „Заключване на вратата“ и вратата ще бъде заключена. След приключване на програмата вратата ще се отключи автоматично. В случай на прекъсване на програмата, ако машината позволи отварянето на вратата, тя ще бъде отключена и светлинният индикатор ще изгасне. Когато премигва светлинният индикатор за заключване на вратата, тя не трябва да се отваря със сила, за да се избегне нараняване.

8. ДЕЗАКТИВИРАНЕ НА ЗВУКОВОТО ПРЕДУПРЕЖДАВАНЕ

Натиснете и задръжте натиснати едновременно бутоните „Spin“ и „Delay End“ за 2 секунди.

Върху дисплея ще се изпише „bEEр oFF“. Всички звукови сигнали, освен звуковите предупреждения, ще бъдат дезактивирани. Когато звуковото предупреждение е дезактивирано, повторете същата процедура и върху дисплея ще се изпише „bEEр on“. Всички звукови сигнали ще бъдат активирани. Звуковото предупреждение ще остане активно, докато не бъде дезактивирано ръчно.

9. ЛЮБИМ

След като изберете програмата и зададете всеки параметър и стартирате, натиснете продължително клавиша Favorite за 3s за запаметяване на избраната програма, температура, скорост на въртене и други свързани настройки, и лед това лампата за любим символ ще светне.

При обстоятелствата, че лампата за предпочитани не свети, натиснете кратко бутона за предпочитани, след тов програмата ще бъде превключена към програмата, запаметена последния път; и междуременно температурата, скоростта на въртене и други параметри автоматично ще се променят в параметрите, запаметени последно време.

В този момент, ако превключите програмата или натиснете други клавиши, панелът ще покаже нов

програма и параметри, а лампата за любим символ ще изгасне. Когато потребителят го използва за първи път време, ако той/тя никога не е натиснал дълго клавиша Предпочитани за събиране на програми, той/тя може да натисне кратко клавиша Предпочитани и след това програмата за памучно бельо и нейните настройки по подразбиране ще бъдат събрани от по подразбиране

10. ПРЕЗАРЕЖДАНЕТО В ПРОЦЕС

Ако искате да презаредите дрехите в процеса на пране, моля, натиснете бутона „Старт/Пауза“.

Ако вратата може да се отвори по време на процеса, индикаторът за заключване на вратата ще мига. Докато индикаторът за заключване на вратата се изключи, можете да отворите вратата, за да заредите дрехи.

Ако индикаторът за заключване на вратата не мига, това показва, че текущата температура е над 50 °C или сте изтекли времето за презареждане в процеса, а именно не е позволено да се зареждат дрехи в машината.

11. АВТОМАТИЧНО ПРЕТЕГЛЯНЕ

Пералната машина показва „-“ - след стартиране, което показва, че тегли автоматично. Той автоматично ще регулира продължителността на програмата (часове: минути) според теглото на дрехите

12. STEAM

Натиснете за кратко, за да добавите функцията за пара, и иконата за пара ще светне.

Натиснете два пъти, за да отмените функцията и да извършите последователен цикъл.

8. ПОДДРЪЖКА И ПОЧИСТВАНЕ

Външност на уреда и командно табло

- Може да се измива с мека, влажна кърпа.
- Може също да се използва малко количество неутрален почистващ препарат (неабразивен).
- Изсушете със суха кърпа.

Уплътнение на вратичката

- При необходимост го изчистете с влажна кърпа.
- Периодично проверявайте състоянието на уплътнението на вратичката.

Чекмедже за препарати

1. Натиснете върху лоста за освобождаване, намиращ се в отделението за омекотител, и извадете чекмеджето (фиг. C).
2. Извадете сифона от отделението за омекотител (фиг. D).
3. Измийте всички компоненти под водна струя.
4. Монтирайте сифона и поставете чекмеджето обратно на място.

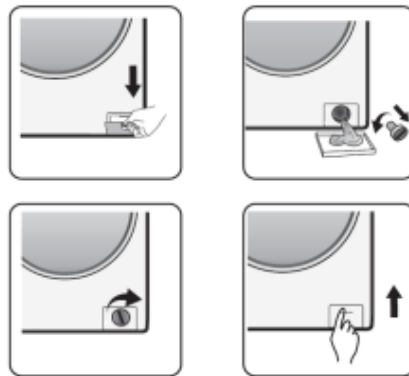


Филтърът

Препоръчваме да проверявате и почиствате филтъра редовно, поне два или три пъти в годината.

По-специално:

- Ако уредът не изцежда добре или не изпълнява циклите на центрофугиране.
 - Ако помпата е блокирана от чуждо тяло (например копчета, монети и безопасни игли).
- Важно: Преди източване на водата от уреда оставете достатъчно време тя да се охлади.



1. Спрете уреда и изключете щепсела от източника на захранване.
2. В зависимост от модела извадете цокъла, като го задържите от страни, като го избутате надолу и като го наклоните към предната част. Друга възможност е да натиснете върху страничните крепежни елементи и да го извадите.
3. Поставете контейнер отдолу.
4. Разхлабете филтъра, но не го изваждайте изцяло. Бавно завъртете филтъра в обратна посока на часовниковите стрелки, докато водата започне да тече.
5. Изчакайте, докато изтече цялото количество вода.
6. Развийте филтъра изцяло и го извадете.
7. Почистете филтъра и отделението за филтъра.
8. Уверете се, че роторът на помпата се движи без затруднения.
9. Поставете отново филтъра и завийте го докрай по посока на часовниковите стрелки.
10. Затворете капака.
11. Свържете отново уреда към източника на захранване.
12. Изберете програма и я стартирайте.

Маркуч за захранване с вода

Периодично проверявайте маркуча за захранване, за да забележите дали е крехък или има пукнатини. Ако е необходимо, заменете го с нов маркуч от същия тип.

Решетъчен филтър за свързване към водопровода

Проверявайте го и почиствайте го периодично.

За перални, оборудвани с маркуч за захранване от тип, посочен на Фиг. „D”.



1. Затворете кранчето и разхлабете маркуча за захранване от кранчето.
2. Почистете вътрешния решетъчен филтър и фиксирайте отново маркуча за захранване към кранчето.
3. Разхлабете маркуча за захранване от задната страна на пералнята.
4. Извадете с клещи решетъчния филтър от връзката на пералнята, след това почистете го.
5. Поставете обратно на място решетъчния филтър и фиксирайте маркуча за захранване.
6. Отворете кранчето и уверете се, че връзките са идеално водонепропускливи.

9. ОТСТРАНЯВАНЕ НА НЕИЗПРАВНОСТИ

В зависимост от модела, вашата перална машина е снабдена с различни автоматични функции на безопасност. Това дава възможност за своевременно откриване на неизправностите, така че системата за безопасност да може да реагира по съответен начин. Тези неизправности често са толкова незначителни, че могат да се разрешат за няколко минути.

Пералната машина не се включва.

Проверете дали:

- Щепселът на захранващия кабел е поставен в контакта;
- стенният контакт към мрежата работи правилно (използвайте настолна лампа или подобен уред за проверка);
- вратата е затворена по съответстващ начин;
- натиснат е бутонът „Старт/Пауза“.

Пералнята спира по време на програмата.

Проверете дали:

- вратата е отворена и не е натиснат бутонът „Старт/Пауза“
- затворете вратата и натиснете отново върху бутона „Старт/Пауза“.
- ако в машината има твърде много пяна (машината започва операцията по отстраняване на пяната); след известно време машината ще започне да работи автоматично;
- системата за безопасност на пералнята е активирана (вижте таблицата с описанията на неизправности).

Серумът за препарат за миене съдържа остатъци от препарат за миене и добавки в края на изпирането.

Проверете дали:

- защитният капак в отделението за омекотител и разделителят в отделението за основно изпиране са правилно инсталирани в чекмеджето за препарат за миене и дали всички компоненти са чисти (вижте раздел „Почистване и поддръжка“);

Захранването с вода е достатъчно; решетъчните филтри във връзката за захранване с вода може да са запушени (вижте раздел „Почистване и поддръжка“);

- Машината вибрира по време на цикъла на центрофугиране.

Проверете дали:

- Пералнята е права и се подпира добре на четирите крачета.
- са отстранени транспортните болтове; преди да използвате машината, транспортните болтове трябва да се отстранят.

Резултатите от крайното центрофугиране са незадоволителни.

Пералнята разполага със система за откриване и коригиране на нестабилност. Ако са заредени тежки артикули (като халати за баня), тази система може да намали автоматично скоростта на центрофугиране или дори да прекъсне напълно цикъла на центрофугиране, ако открие твърде голяма нестабилност, дори след няколко стартирания на центрофугирането, за да защити пералнята.

- Ако прането е все още твърде мокро в края на цикъла, извадете малко пране и повторете цикъла на центрофугиране.

- Излишното образуване на пяна може да попречи на центрофугирането.

Използвайте правилното количество препарат за миене.

- Уверете се, че селекторът за скорост на центрофугиране не е настроен на „0“.

КОДОВЕ ЗА ГРЕШКА

Върху екрана се изписва „F01“

Машината не се захранва с вода или количеството вода не е достатъчно. Направете следните проверки:

- Уверете се, че кранчето е изцяло отворено и че налягането на водата е достатъчно.

- Уверете се, че маркучът за захранване с вода не е огънат.
- Уверете се, че филтриращото сито на маркуча за захранване с вода не е запушен (вижте раздела за поддръжка и отстраняване на неизправности).
- Уверете се, че водата от тръбите не е замръзнала.

Натиснете върху бутона „Старт/Пауза“ след премахване на грешката. Ако грешката се появи отново, свържете се с оторизиран сервис.

Върху екрана се изписва „F03“.

Водата от пералнята не е отведена. Пералнята спира програмата по време на работа. Спрете машината и изключете щепсела от източника на захранване с електроенергия. Направете следните проверки:

- Уверете се, че маркучът за отвеждане не е огънат.
- Уверете се, че филтърът на помпата за отвеждане не е запушен (вижте раздела за почистване на филтъра на помпата за отвеждане).

Важно: Уверете се, че водата се е охладила преди да я отведете от уреда.

- Уверете се, че водата от маркуча за отвеждане не е замръзнала. Свържете отново уреда към източника на захранване.

Изберете и стартирайте програмата „Центрофугиране“ или натиснете и задръжте натиснат бутона „Старт/Пауза“ за най-малко 3 секунди, след което рестартирайте желаната програма.

Ако грешката се появи отново, свържете се с оторизиран сервис.

Ако е изписан код за грешка „F13“

Вратата не е заключена правилно. Включете програмата и оставете я да работи за 20 секунди, след което отключете вратата на пералнята (PTC), за да проверите дали е затворена правилно. Отворете вратата и затворете я.

След премахване на грешката натиснете върху бутона „Старт/Пауза“. Ако грешката се появи отново, изключете щепсела от източника на захранване с електроенергия и свържете се с оторизиран сервис.

Ако е изписан код за грешка „F14“

Грешка при отваряне на вратата.

Следвайте стъпките по-долу: Натиснете върху бутона „Старт/Пауза“. Пералнята ще се опита да отвори вратата. Предупреждението няма да бъде премахнато, докато вратата не бъде отключена. Като алтернативно решение – поставете въртящия се бутон в положение „Off“ за 3 секунди, за да спрете машината. Изберете желаната програма, за да включите уреда. Предупреждението ще бъде премахнато.

Ако е изписан код за грешка „F24“

Нивото на водата е достигнало границата на препълване. Натиснете върху бутона „Старт/Пауза“.

Изберете и стартирайте желаната програма. Ако грешката се появи отново, изключете щепсела от източника на захранване с електроенергия и свържете се с оторизиран сервис.

Ако е изписан друг код за грешка: „F04“ - „F98“

Грешка в електронния модул.

Поставете въртящия се бутон в положение „Off“ за 3 секунди, за да спрете машината. След премахване на грешката натиснете върху бутона „Старт/Пауза“. Ако грешката се появи отново, изключете щепсела от източника на захранване с електроенергия и свържете се с оторизиран сервис.

Ако е изписан код за грешка „Unb“

Предупреждението за нестабилност на уреда може да бъде премахнато по следния начин:

1. Ако прането е претъпкано

Поставете въртящия се бутон в положение „Off“ за 3 секунди, за да спрете машината. Отворете вратата, изтръскайте дрехите и поставете ги обратно в пералнята, след което изберете програмата за дехидратация, за да ги изсушите отново.

2. Ако прането е твърде леко

Поставете въртящия се бутон в положение „Off“ за 3 секунди, за да спрете машината. Отворете вратата, поставете една хавлия или две в машината, след което изберете програмата за дехидратация, за да ги изсушите отново.

Преди да се свържете с оторизиран сервис

1. Опитайте да отстраните проблема сами (вижте раздел „Отстраняване на проблеми“).
2. Рестартирайте програмата, за да проверите дали проблемът е разрешен.
3. Ако пералнята продължава да работи неизправно, свържете се с оторизиран сервиз.

ТЕХНИЧЕСКИ ДАННИ

Техническата информация се съдържа в табелката с номиналните стойности от вътрешната страна на уреда и в енергийния етикет.

QR кодът върху енергийния етикет, предоставен заедно с уреда, предоставя уеб връзка към информацията, свързана с експлоатационните характеристики на уреда, в базата данни EPREL на ЕС. Съхранявайте енергийния етикет за справка заедно с ръководството за потребителя и всички други документи, предоставени с този уред.

Същата информация може да бъде намерена и в EPREL, като се използва връзката <https://eprel.ec.europa.eu> и името на модела и номера на продукта, които се намират на табелката с номиналните параметри на уреда.

За да получите достъп до информация за вашия продукт в портала на EPREL, можете да сканирате кодовете по-долу:



Благодарим ви, че закупихте този продукт. Ако имате нужда от поддръжка на продукта, посетете нашия уебсайт, като използвате връзките по-долу.

Получете ръководства за потребителя: <https://www.heinner.ro>

Получете информация за услугата: <https://www.heinner.ro>

**Екологично изхвърляне**

Можете да помогнете за опазването на околната среда!

Моля, не забравяйте да спазвате местните разпоредби: предайте неработещото електрическо оборудване в подходящ център за изхвърляне на отпадъци.



HEINNER е регистрирана търговска марка на **Network One Distribution SRL**. Други марки и имена на продукти са търговски марки или регистрирани търговски марки на съответните им притежатели.

Нито една част от спецификациите не може да бъде възпроизвеждана под каквато и да е форма или по какъвто и да е начин, нито да бъде използвана за създаване на производни, като например превод, преобразуване или адаптиране, без разрешение от NETWORK ONE DISTRIBUTION.

Copyright © 2013 Network One Distribution. Всички права запазени.

www.heinner.com, <http://www.nod.ro>



Този продукт е в съответствие с нормите и стандартите на Европейската общност



Вносител: **Network One Distribution**

Marcel Iancu Street, 3-5, Букурещ, Румъния

Тел.: +40 21 211 18 56, www.heinner.com , www.nod.ro

AUTOMATA MOSÓGÉP

Modell

HWM-HMK1014IVTA+++



- Automata mosógép
- Rakodási kapacitás: 10 kg
 - Energiaosztály: A

HEINNER

1. BEVEZETÉS

Kérjük, olvassa el figyelmesen az utasításokat, és őrizze meg a kézikönyvet a későbbi tájékoztatáshoz.

Ez a kézikönyv a készülék telepítésére, használatára és karbantartására vonatkozó összes szükséges utasítást tartalmazza. A készülék helyes és biztonságos működtetése érdekében kérjük, hogy a telepítés és használat előtt figyelmesen olvassa el ezt a használati útmutatót.

2. A CSOMAG TARTALMA

- ➔ **Automata mosógép**
- ➔ **Felhasználói kézikönyv**
- ➔ **Jótállási igazolás**

3. BIZTONSÁGI MÉRÉSEK

- 1.Új mosógépe működésbe helyezése előtt, kérjük, figyelmesen olvassa el a jelen útmutatót. A jelen kézikönyvet őrizze meg későbbi tanulmányozás céljából. Előfordulhat, hogy később szüksége lesz rá.
- 2.Kérjük, győződjön meg arról, hogy az aljzat biztonságosan földelve van, és a vízhálózat csatlakoztatása megbízható.
- 3.Ez a készülék kizárólag a háztartásban használható. A mosógép kereskedelmi célokra való használata a jótállás megszűnését vonja maga után.
- 4.A készülék nem használható csökkent értelmi, érzékszervi, vagy fizikai képességű személyek által (gyerekeket is beleértve), vagy olyanok által, akik nem rendelkeznek a kellő mennyiségű tudással és tapasztalattal, csak felügyelet mellett, vagy ha a felügyeletért és a biztonságukért felelős személy megtanította őket a helyes használatra.
- 5.Ezt a készüléket 8 éven felüli gyermekek és szellemileg fogyatékos- sérült vagy tapasztalattal nem rendelkező emberek csak akkor használhatják, ha az értük felelős személy felügyeli őket, illetve előzetesen megértette velük a készülék biztonságos használatát.
- 6.A gyerekekre figyelni kell, nem kell engedni, hogy a készülékkel játszanak. Tartsa távol a készüléktől a 3 évnél kisebb gyermekeket, ha nincsenek állandó felügyelet alatt.
- 7.Ne engedje a háziállatokat a mosógép közelébe.
- 8.A veszély elkerülése érdekében, a sérült tápvezetékét a gyártóval, ennek hivatalos márkaszervizével vagy egy hasonló szakképzettséggel rendelkező személlyel cseréltesse ki.
- 9.Telepítés előtt ellenőrizze a csomagolást. A csomagolás eltávolítása után ellenőrizze a gép külső felületeit. Ne használjon sérült vagy nyitott csomagolással érkezett készüléket.
- 10.A mosógépet szakképzett személynek kell felszerelnie. Egy szakképzetlen személy által a gépen végzett bármely beavatkozás a jótállás megszüntetését vonja maga után.
- 11.A mosógép használata előtt távolítsa el a hátoldalán található 4 szállításhoz használt rögzítőcsavart. Ha nem távolítja el a csavarokat, azok rezgéseket, zajt és a termék nem megfelelő működését és a jótállás megszűnését okozhatják.
- 12.A készülékére vonatkozó jótállás a külső hatások által (növényvédő szerek, tűz stb.) okozott meghibásodásokat fedezi.
- 13.A mosógép csak zárt helyiségekbe szerelhető fel. A készülék optimális működéséhez szükséges környezeti hőmérséklet 15-25° között van.
- 14.A mosógépet kizárólag a gyártó által mosásra megfelelőnek megjelölt ruhák mosására használja.
- 15.Kérjük, bizonyosodjon meg róla, hogy a mosógépbe helyezett ruhák zsebében nincsenek idegen tárgyak (szeg, tűk, pénzérmék, gyújtók, gyufák, csatok stb.). Ezek az idegen tárgyak elronthatják a mosógépet.
- 16.Ajánlott az első mosási ciklust ruhák nélkül végezni rövid programon, a mosószer tároló fiók fő

reteszébe 30 ml mosószer adagolásával.

17. Tekintettel arra, hogy a hosszú ideig a levegőnek kitett mosószer és öblítő maradványokat tartalmazhat, az egyes mosási ciklus előtt helyezze a mosószer tároló fiókba a mosószert és az öblítőszt.

18. Amennyiben hosszú időn keresztül nem fogja a készüléket használni, azt ajánljuk, hogy húzza ki a csatlakozót az áramforrásból és zárja el a vízcsapot. Továbbá ajánljuk, hogy a nedvesség miatt keletkező kellemetlen szagok képződésének elkerülése érdekében hagyja nyitva a mosógép ajtóját.

19. A vízhálózatra csatlakoztatásra szánt készülékek esetében az engedélyezett maximális vízbemeneti nyomás 1 MPa. Amennyiben szükséges a készülék megfelelő működéséhez, az engedélyezett minimális víznyomás 0,1 MPa.

20. A minőség ellenőrzési eljárások keretén belül végzett próbák és ellenőrzések során előfordulhat, hogy kevés víz marad a mosógépbe. Ez nem okoz meghibásodást.

21. Jegyezze meg, hogy a mosógép csomagolása veszélyes lehet a gyermekek számára.

22. A csomagolásokat tárolja gyermekektől elzárt helyen, és selejtezze le megfelelően.

23. A nagyon szennyes ruhákhoz használja az előmosási programokat.

24. Ne nyissa ki a mosószer tároló fiókot a mosógép üzemelése közben.

25. Meghibásodás esetén először csatlakoztassa le a készüléket az áramforrásról, majd zárja el a vízcsapot. Ne próbálja házilag megjavítani a készüléket. Minden alkalommal forduljon egy hivatalos javítóközpontoz.

26. A mosógépbe helyezett ruhák mennyisége nem haladhatja meg az ajánlott maximális mennyiséget.

27. Ne erőltesse az ajtó kinyitását, amikor a mosógép üzemel.

28. A liszttel szennyezett ruházati cikkek mosása a gép meghibásodásához vezetnek. Ne mosson a gépben liszttel szennyezett ruházati cikkeket.

29. Ezt a készüléket lakásokban és más hasonló egységekben való használatra gyártották: üzletek, irodák és más szakmai közegek személyzetének konyháiban; háztartási és szállodák, motelek és más hasonló tartózkodási hely típusú környezet; reggelit is felszolgáló panzió típusú környezet; tömbházlakások és mosodák közös használatra szánt területei.

Szükséges a jelen figyelmeztetések figyelmes elolvasása. Ily módon biztosított az Ön és szerettei védelme a veszélyek és a súlyos testi sérülések ellen.

ÉGÉS VESZÉLY!

Ne érintse meg a kivezető tömlőt és a kifolyó vizet, mivel a készülék üzemelése közben ezek hőmérséklete megnőhet.

ÁRAMÜTÉS VESZÉLY!

1. Ne használjon többcsatlakozós aljzatokat vagy hosszabbítókat.

2. Ne helyezze a dugaszt meghibásodott fali csatlakozókba.

3. A készülék tápforrásról való lecsatlakoztatása érdekében ne rángassa a tápvezetékét, hanem fogja meg a dugaszolót, és húzza ki a csatlakozóból.

4. Az áramütés veszély elkerülése érdekében ne helyezze a dugaszt a fali csatlakozóba és ne húzza ki azt nedves kézzel.

5. Ne érjen a géphez nedves lábbal vagy kézzel.

6. A sérült tápvezeték kicserélése érdekében forduljon a legközelebbi javítóközpontoz.

TÚZVESZÉLY!

1. Ne tároljon gyúlékony folyadékokat a mosógép közelében.

2. A pácoldatok kéntartalma a készülék rozsdásodás révén történő meghibásodásához vezethet. Ezért azt ajánljuk, hogy ne használjon pácoldatokat a mosógépében.

3. Ne használjon a gépében oldószereket (mint például a súroló gáz).

4. Távolítsa el minden tárgyat a ruhák zsebeiből (tűk, csatok, gyújtók, gyufák stb.) a ruhák mosógépbe való helyezése előtt.

Tűz- és robbanásveszély!

ÁRADÁS VESZÉLY!

- 1.A vízelvezető tömlő mosdókagylóba való helyezése előtt ellenőrizze, hogy a víz gyorsan folyik vagy nem.
- 2.Tegye meg a szükséges intézkedéseket a tömlő elcsúszásának megelőzése érdekében.
- 3.A víz ereje elmozdíthatja a tömlőt, ha az nincs megfelelően rögzítve. Bizonyosodjon meg róla, hogy a mosdókagyló dugója nem zárja el a vízelvezető nyílást.

ESÉS- ÉS SÉRÜLÉSVESZÉLY!

- 1.Ne másszon fel a készülékre. A mosógép felső fedőlapja beszakadhat, és sérülést okozhat Önnek.
- 2.Összeszerelés közben állítsa be megfelelően a tömlőt, a tápvezetékét és a készülék csomagolását. Ellenkező esetben, megbotolhat és eleshet.
- 3.Ne fordítsa a készüléket az oldalaira, és ne helyezze a felső felével lefelé.
- 4.Ne emelje meg a készüléket az ajtójánál vagy a mosószer tároló fiókjánál fogva. Ezek az alkatrészek elszakadhatnak és sérülést okozhatnak.
- 5.A megbotlás és sérülés veszélye akkor áll fenn, ha a készülék összeszerelésekor az olyan tartozékai, mint a tömlő és a vezetékek nincsenek megfelelően elhelyezve.
A készüléket legalább 2 személy szállítsa.

A GYERMEKEK BIZTONSÁGA

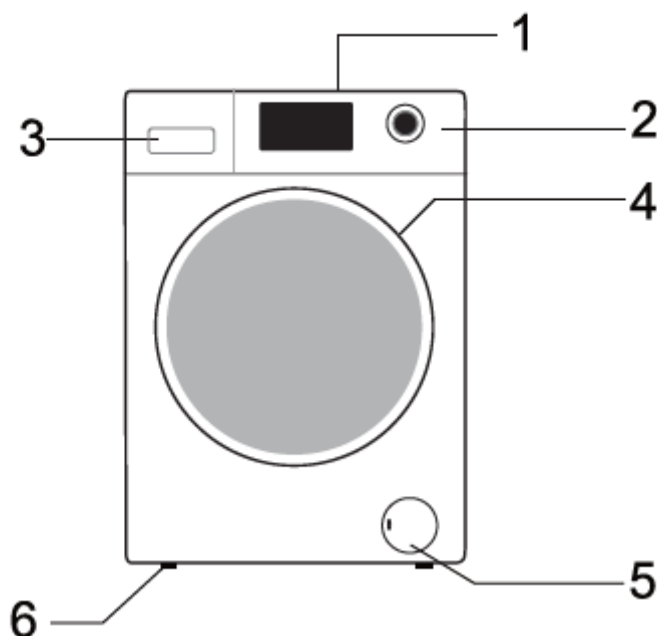
- 1.Ne hagyja felügyelet nélkül a gyermekeket a készülék közelében. A gyermekek bezáródhatnak a készülék belsejébe, súlyos sérülés vagy elhalálozás következhet be. A gyerekek esetében állandó felügyelet szükséges, ne engedje, hogy a készülékkel játszanak. Ne engedje a gyermekeket a készülékkel játszani vagy a dobba mászni.
- 2.A készülék üzemelése közben az ajtója és a felülete felforrósodhat. Tehát a gyermekek megégethetik magukat vagy megsérülhetnek a készülék érintése következtében.
- 3.A csomagolást tartsa gyermekektől elzárt helyen.
- 4.A mosószer vagy a tisztítószeres lenyelése, illetve bőrrel vagy szemmel való érintkezése mérgezéshez és irritációhoz vezethet. Ne hagyja a tisztítószereket a gyermekek számára hozzáférhető helyen.

Az energiatakarékosságra vonatkozó információk

Íme, néhány fontos információ a készüléke hatékonyságának növelése érdekében:

A mosógépbe helyezett ruhamennyiség nem haladhatja meg az ajánlott maximális mennyiséget. Ez lehetővé teszi a készülék energiatakarékos üzemmódba való működését. A villanyáram és víz megtakarítás érdekében ne használja az előmosás funkciót a kissé vagy normálisan szennyes ruhákhoz.

4. TERMÉKLEÍRÁS



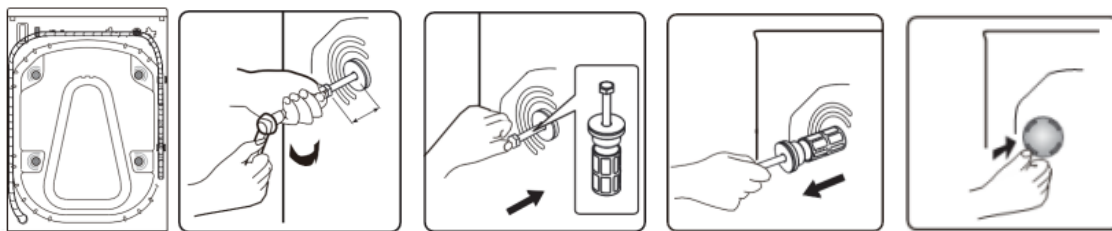
1. Munkalap
2. Vezérlőpanel
3. Mosószeres fiók
4. Ajtó
5. A szivattyúhoz való hozzáférést fedő lábazat
6. Állítható lábak

5. BEÁLLÍTÁS

A szállítási rögzítőcsavarok eltávolítása

1. A mosógép használata előtt távolítsa el a hátoldalán található 4 szállításhoz használt rögzítőcsavart. Ha nem távolítja el a csavarokat, azok rezgéseket, zajt és a termék nem megfelelő működését és a jótállás megszűnését okozhatják.
2. A szállítási rögzítőcsavarokat a nyíl által jelölt irányba kell fellazítani megfelelő kulcs használatával.
3. Két szállításhoz használt csavart toljon befelé vízszintes irányba és lazítsa fel.
4. A szállítási csavarokat húzással kell eltávolítani.
5. A biztonság és a zaj csökkentése érdekében a szállítási csavarok nyílásaiba szerelje fel a szolgáltatott műanyag dugókat. Helyezze a dugókat a nyílásokba, és nyomja mindaddig, amíg a megfelelő rögzülést jelző kattánás hallatszik.
6. A szállítási csavarokat egy lehetséges későbbi használat érdekében raktározza el.

MEGJEGYZÉS: A készülék első használata előtt kötelező a szállítási rögzítőcsavarok eltávolítása. A készülék üzemelése közben a felszerelt szállítási rögzítőcsavarok által okozott meghibásodások nem képezik a jótállás tárgyát.

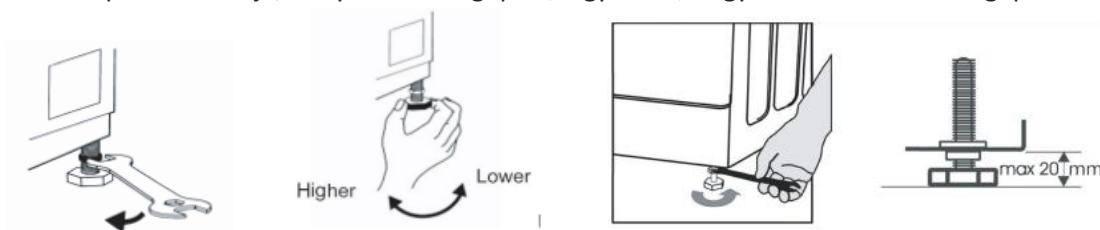


A LÁBAK BEÁLLÍTÁSA

Ne szerelje a készüléket szőnyegekre vagy egyéb felületekre, melyek elzárhatják a készülék aljának a szellőzését. A készülék csendes és rezgésmentes működésének biztosítása érdekében, szerelje egy stabil, vízszintes és sík felületre. A készülék az állítható lábak segítségével állítható vízszintbe. Lazítsa fel a műanyag beállító anyacsavart.

Emelje meg kissé a mosógépet, és a lábak forgatásával állítsa be a lábak magasságát. A készülék vízszintbe állítása után húzza meg a műanyag beállító anyacsavart.

A vízszintbe állítás érdekében ne helyezzen kartont vagy egyéb hasonló anyagokat a készülék alá. Amikor azt a padlót tisztítja, melyen a mosógép áll, vigyázzon, hogy ne állítsa el a mosógép lábait.



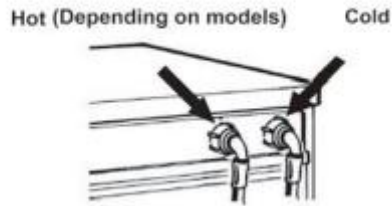
A készülék csatlakoztatása az elektromos tápegységhez

- Az Ön mosógépéhez 220-240V AC és 50Hz elektromos tápegységre van szükség.
- A mosógép tápvezetéke egy földelt dugasszal van ellátva. Ezt a dugaszt egy 10 amperes földelt fali csatlakozóba kell behelyezni.
- Az elektromos biztonsági áram értéke 10 amper kell, hogy legyen. Annak az elektromos tápvonal biztonsági áramának az értéke, ahová a dugasz be van dugva, ugyancsak 10 amper kell, hogy legyen.
- Amennyiben nem rendelkezik egy ilyen fali csatlakozóval és megfelelő biztonsággal, kérjük, vegye igénybe egy villanyszerelő szolgáltatásait.
- A készülék nem rendeltetésszerű használatából eredő sérülésekért nem vállalunk semmilyen felelősséget.

MEGJEGYZÉS: Az alacsony feszültségű tápforrásról való energiaellátás csökkenti a készülék élettartamát és teljesítményét.

A vízadagoló tömlő csatlakoztatása

- A készülék jellemzőitől függően, egyszerű (hideg víz) vízellátó fűvókával vagy dupla vízellátó fűvókával (hideg/meleg víz) lehet ellátva. A fehér végződésű tömlőt a hideg víz adagoló fűvókához, a piros végződésű tömlőt pedig a meleg víz adagoló fűvókához kell csatlakoztatni.
- Az adagoló tömlőket egy 3/4 csavarmenetes vízcsaphoz csatlakoztassa.
- Amennyiben a vízadagoló tömlő nincs felszerelve, rögzítse a gépre. A késsel jelölt tömlő csak a hideg víz adagolására szolgál. A modell függvényében szükséges a pirossal jelölt, a meleg víz adagolására szolgáló tömlő felszerelése is, a dupla adagoló fűvónnyílással ellátott modellek esetében. Az anyacsavar kézi megszorításával csavarja rá az adagoló tömlőt a csapra.



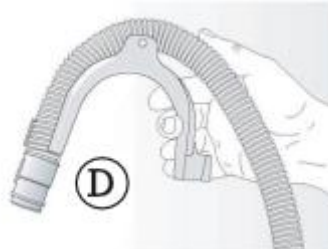
- A 0,1-1 Mpa nyomású vízhozam lehetővé teszi az ön készüléke számára, hogy hatékonyabban működjön (a 0,1 Mpa nyomás azt jelenti, hogy 8 liternél több víz folyik percenként egy teljesen nyitott vízcsapon).
 - A csatlakoztatások elvégzése után, óvatosan nyissa ki a vízcsapot és győződjön meg, hogy nincsenek szivárgások.
 - Bizonyosodjon meg róla, hogy az új vízadagoló tömlők nincsenek megcsavarodva, nem szakadtak, nincsenek összezúzva és átméretezve.
 - A vízellátó tömlőt csatlakoztassa a hideg vizes csaphoz és a gép hátsó oldalán található bemeneti szelephez.
- Elégtelen vízellátás



Megjegyzés: A mosógépet csak a szolgáltatott vízadagoló tömlővel kell csatlakoztatni a vízellátáshoz. Ne használjon régi, kopott vagy sérült vízadagoló tömlőket.

A vízvezető csatlakozás

- Ne próbálja toldással meghosszabbítani a vízvezető tömlőt.
- Ne helyezze a vízvezető tömlőt edénybe vagy vederbe.
- Bizonyosodjon meg róla, hogy a vízvezető tömlő nincs meghajlítva, eltörve vagy meghosszabbítva.
- Csatlakoztassa a víz kivezető tömlőt a kivezetéshez vagy az „U” alakú könyök segítségével akassza rá a kagyló szélére.
- Az „U” (D) alakú könyökcsövet rögzítse a kivezető tömlő végéhez, ha nincs már felszerelve.



- Ha a mosógép integrált vízvezető rendszerhez van csatlakoztatva, győződjön meg arról, hogy ez utóbbi fel van szerelve kiömlőnyílással, ami megakadályozza az egyidejű feltöltést és vízleeresztést (szivornyahatás).
- Bizonyosodjon meg, hogy a kivezető tömlő nincs meghajlítva. A tömlőt rögzítse úgy, hogy ne tudjon leesni. Mosás után a mosógép forró vizet enged ki.
- A kisméretű kagylók nem ajánlottak.
- A vízvezetés közbeni forrázás elkerülése érdekében rögzítse jól a leeresztő tömlőt.

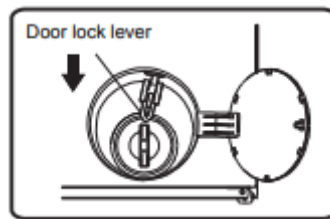


Vészhelyzeti ajtónyitás

Ha áramkimaradás vagy egyéb különleges körülmények miatt nem sikerül kinyitni az ajtót, a vízvezető szivattyú ajtajánál lévő ajtózárr karját lehet használni a vésznyitásra.

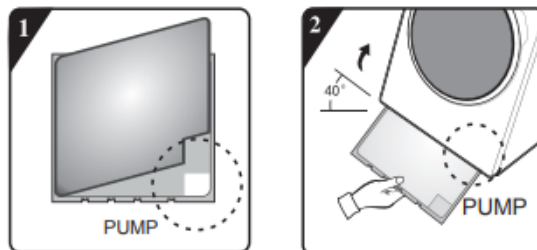
Megjegyzés:

1. Ne működtesse, amikor a gép normálisan működik.
2. Működés előtt győződjön meg arról, hogy a belső hordó nem forog tovább, nincs magas hőmérséklet, és a vízszint alacsonyabb, mint a ruhabemenet. Ha a vízszint magasabb, mint a ruhabemenet, engedje le a vizet a lefolyócsövön keresztül (ha van) vagy a szűrő lassú kicsavarásával.
3. Működési mód: Nyissa ki a vízvezető szivattyú ajtajának fedelét, húzza le a zárókart egy szerszám segítségével, majd az ajtó kinyitható (az ábrán jelezve).



Az alsó fedőlap felszerelése

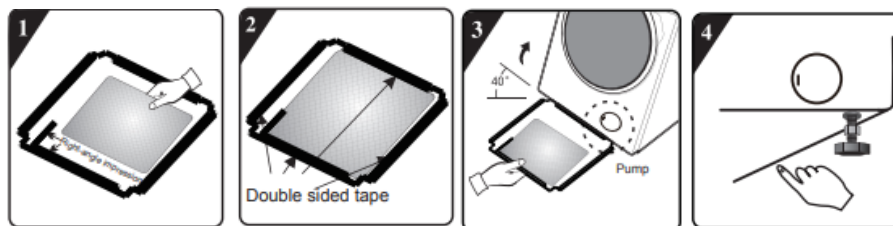
A csendesebb működés érdekében a készülékkel együtt egy alsó fedőlapot is szolgáltatnak (csak a Heinner mosógéphez). A fedőlap mosógép alá történő felszerelése után a zajszint lényegesen csökken. A fedél felszerelése előtt, kérjük, hogy vegye igénybe egy szakember tanácsát. A készülék használható az alsó fedőlap nélkül is.



Ragassa a hangszigetelő vattát az alsó fedőlapra tekintetbe véve a szivattyú helyzetét. Döntse el a mosógépet 30°-40°-os szögben. Az alsó fedőlap felszerelésénél, kérjük, hogy a hangszigetelős felét felfele fordítsa és legyen tekintettel a szivattyú helyzetére

1. A hangszigetelő alsó fedőlap felszerelésénél a hangszigetelő vattát az alsó fedőlapon lévő jelzések egyenes szögben történő követésével állítsa be és ragassza meg.
2. Távolítsa el a papírt az alsó fedőlap négy oldalán található dupla ragasztószalagról.
3. Döntse meg a mosógépet 40°-ban, a vájatos részt pedig igazítsa egyenes szögben a mosógép első része felé, az ábrán megjelölt módon. A vájatos részt helyezze tompa szögben a mosógép hátsó részének két lába közé. Szerelje fel az alsó fedőlapot, és bizonyosodjon meg róla, hogy a mosógép egész alsó felületét éri.

4. Egyik kezével nyomja meg a dupla ragasztószalagot a négy oldalon, hogy jól rögzítse a hangszigetelő fedőlapot a mosógép burkolatára.



6. A TERMÉK HASZNÁLATA

Gyors elindítás

Mielőtt üzembehelyezné a készüléket, bizonyosodjon meg annak megfelelő beszereléséről. Mielőtt először mosna ruhákat, a gépnek előzetesen egy teljes mosási ciklust kell teljesítenie üresen, szennyes ruhák nélkül.

1. Mosás előtt

Az I fiók feltöltése csak az előmosás funkcióval ellátott készülékek esetén szükséges és csak amennyiben a felhasználó az előmosás funkció használata mellett dönt.

2. Mosás

- Kapcsolja be a mosógépet.
- Válasszon ki egy rövid programot.
- Indítsa el a mosási programot.

Minden mosás előtt

A mosógép működése során a környezet hőmérséklete legyen a 0-40°C értéktartományban. Amennyiben a készüléket egy olyan helyiségben tárolja, melynek hőmérséklete 0 °C vagy annál alacsonyabb, a készüléket át kell költöztetni egy olyan helyiségbe, ahol a felhasználó biztos lehet abban, hogy a víz be- és kifolyócsöve nem fagy be a készülék használata előtt.

Mosás előtt, kérjük, figyelmesen olvassa el a ruhák címkéin található és a mosószerre vonatkozó információkat. Használjon olyan habzásmentes vagy csökkentett habzású mosószereket, melyek a mosógép számára megfelelőek.

A RUHÁK SZÉTVÁLOGATÁSA

- Ruhái a megfelelő mosásra vonatkozó útmutatót tartalmazó címkével vannak ellátva. A ruhákat Mossa vagy szárítsa a címkén feltüntetett utasításoknak megfelelően.
- Kategóriák (pamut, műanyag, kényes, gyapjú stb.), mosási hőmérséklet (hideg víz, 30 °C, 40 °C, 60 °C, 90 °C), és szennyezettségi szint (kevésbé szennyesek, szennyesek, nagyon szennyesek) szerint válogassa szét a ruhákat.
- Ne mossa együtt a fehér és a színes ruhákat.
- A színes ruhákat mossa külön, az első mosási cikluson, mivel azok elszíneződhetnek.
- Győződjön meg arról, hogy a ruhái zsebeiben nincs enek fémtárgyak, ha vannak, távolítsa el azokat.

FIGYELEM! A mosógépbe került idegen anyagok által okozott meghibásodások nem képezik a jótállás tárgyát.

- Zárja össze ruháin a cipzárokat és gombolja be rajtuk a gombokat.
- Távolítsa el a függönyök és drapériák fém- vagy műanyag akasztóit, vagy a függönyöket és a drapériákat helyezze egy mosáshoz használt hálóba.
- Fordítsa a visszájára a nadrág, kötött holmi, trikó és sportfelszerelések típusú ruhákat.
- Mossa a zoknikat, zsebkendőket és egyéb kis méretű ruhákat a mosáshoz használt hálóba.

A RUHÁK MOSÓGÉPBE HELYEZÉSE

- Nyissa ki a mosógép ajtaját.
- A ruhákat egyenletesen ossza el a mosógépbe.

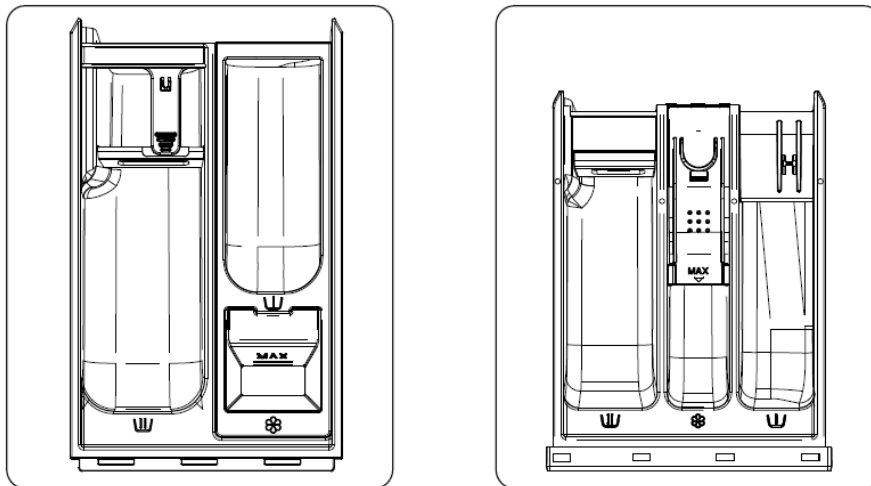
MEGJEGYZÉS: A maximális töltési kapacitás változhat a ruhák típusának, szennyezési szintjének és a kiválasztott programnak a függvényében. Ne haladja meg a mosási programokra vonatkozó táblázatban megjelölt maximális töltési kapacitást.

A MOSÓSZER ADAGOLÁSA A MOSÓGÉPBE

Az előtöltős mosógéphez használjon mindig magas hatékonyságú, kevésbé habzó mosószereket. A mosószer kiválasztása az alábbiaktól függ: A textil típusa (pamut, könnyen kezelhető/műszálás, kímélő mosást igénylő, gyapjú); szín; a mosási hőmérséklet; a szennyezettség mértéke és a szennyeződés típusa.

Megjegyzés: A sötét színű anyagokon észlelhető fehéres foltokat a korszerű foszfátmentes mosóporokban lévő oldhatatlan összetevők okozzák. Ennek előfordulása esetén rázza vagy kefélje ki az érintett ruhadarabokat, vagy használjon folyékony mosószert. Csak kifejezetten háztartási mosógépekhez ajánlott mosószert és adalékokat használjon. Vízkő elleni szerek, festék vagy fehéritő használata esetén mindig ellenőrizze, hogy azok háztartási mosógépben való használatra megfelelőek-e. A vízkőoldók tartalmazhatnak olyan összetevőket, amelyek ártalmasak lehetnek a mosógép számára. Ne használjon semmilyen oldószert (pl. terpentin, benzin). Ne mosson a gépben oldószerral vagy gyúlékony folyadékkal kezelt textíliákat.

MOSÓSZER TÁROLÓ FIÓK



- Az előmosáshoz szükséges mosószer tároló retesz:
Ezt a retest csak az előmosási üzemmód kiválasztása esetén használja. Az előmosási funkció használata nagyon szennyes ruhák esetén ajánlott.
- A fő mosáshoz szükséges mosószer tárol retesz:
Ebbe a reteszbe kizárólag mosószert (folyékony vagy por), folteltávolító és vízlágyító szereket helyezhet.
- Öblítőszer tároló retesz:
Ebbe a reteszbe öblítőszer vagy folyékony ruhakeményítőt helyezhet. Ne haladja meg a „MAX” jel által jelölt szintet.

7. PROGRAMOK



COTTON	
Mosási hőmérséklet	--, 20°C, 30°C, 40°C, 60°C, 95°C
Maximális száraz ruha mennyiség	10 kg
Maximális centrifugálási sebesség (ford./perc)	1400
Ruhatípus/leírás	Nagyon vagy szokásosan szennyezett pamut vagy lenvászon A nagyon szennyes ruházati cikkekhez válassza a „Prewash” (Előmosás) funkciót.
ALLERGY STEAM	
Mosási hőmérséklet	40°C, 60°C
Maximális száraz ruha mennyiség	2.5 kg
Maximális centrifugálási sebesség (ford./perc)	1400
Ruhatípus/leírás	Ez a program megfelelő a magas hőmérsékletnek ellenálló és kevésbé színes szövetekhez; a magas hőmérsékletű gőz segítségével. eltávolítja az allergéneket, például a pollent, a poratkákat és a parazitákat
ECO 40-60	
Mosási hőmérséklet	-
Maximális száraz ruha mennyiség	10 kg
Maximális centrifugálási sebesség (ford./perc)	1400
Ruhatípus/leírás	Normál szennyeződési szintű pamut ruhanemű.
MIX	
Mosási hőmérséklet	--, 20°C, 30°C, 40°C
Maximális száraz ruha mennyiség	5 kg
Maximális centrifugálási sebesség (ford./perc)	1400
Ruhatípus/leírás	Mérsékelt szennyeződés szintű, vegyes pamut és szintetikus anyagból készült ruhanemű.
WOOL	
Mosási hőmérséklet	--, 20°C, 30°C, 40°C
Maximális száraz ruha mennyiség	2.5 kg
Maximális centrifugálási sebesség (ford./perc)	600
Ruhatípus/leírás	A gépben mosható gyapjú (tanulmányozza a ruhán lévő árucímkét).
QUICK 15'	
Mosási hőmérséklet	--, 20°C, 30°C, 40°C
Maximális száraz ruha mennyiség	1 kg
Maximális centrifugálási sebesség (ford./perc)	800
Ruhatípus/leírás	Pamut, vegyes szövetű anyagok Rövid ideig viselt vagy nemrég vásárolt árucikk.

RINSE+SPIN	
Mosási hőmérséklet	-
Maximális száraz ruha mennyiség	10 kg
Maximális centrifugálási sebesség (ford./perc)	1400
Ruhatípus/leírás	Ez a program alapértelmezett módon két öblítést és centrifugálást tartalmaz.
SPIN	
Mosási hőmérséklet	-
Maximális száraz ruha mennyiség	10 kg
Maximális centrifugálási sebesség (ford./perc)	1400
Ruhatípus/leírás	Kézzel válassza ki a centrifugálási sebességet.
DRUM CLEAN	
Mosási hőmérséklet	90°C
Maximális száraz ruha mennyiség	-
Maximális centrifugálási sebesség (ford./perc)	800
Ruhatípus/leírás	A bizonyos ideig használt mosógépben felgyülemlett szennyeződés és baktérium maradványok eltávolítására szolgáló program, főleg ha a gépet rendszeresen alacsony hőmérsékleten való mosásra használták.
20 °C	
Mosási hőmérséklet	-
Maximális száraz ruha mennyiség	10 kg
Maximális centrifugálási sebesség (ford./perc)	1400
Ruhatípus/leírás	Szintetikus szálakból készült áruk, mint: párnák, ágytakarók, pokrócok, paplanok; megfelel a pehellyel töltött árucikkek mosásához is.
SYNTH	
Mosási hőmérséklet	--, 20°C, 30°C, 40°C, 60°C
Maximális száraz ruha mennyiség	2.5 kg
Maximális centrifugálási sebesség (ford./perc)	1200
Ruhatípus/leírás	Mérsékelt szennyezett szintetikus anyagok, pamut keverékszövetek
SPORTS	
Mosási hőmérséklet	--, 20°C, 30°C, 40°C
Maximális száraz ruha mennyiség	2 kg
Maximális centrifugálási sebesség (ford./perc)	1000
Ruhatípus/leírás	Műszálas anyagból készült sportruházat.
DARK WASH	
Mosási hőmérséklet	--, 20°C, 30°C, 40°C, 60°C
Maximális száraz ruha mennyiség	5 kg
Maximális centrifugálási sebesség (ford./perc)	1000
Ruhatípus/leírás	Sötét pamut textíliák és könnyen kezelhető sötét textíliák.
BABYCARE	
Mosási hőmérséklet	40°C, 60°C, 95°C
Maximális száraz ruha mennyiség	2.5 kg
Maximális centrifugálási sebesség (ford./perc)	1400
Ruhatípus/leírás	Ez a program babaruhák és alsóneműk mosására ajánlott, melyek magas hőmérsékleten vannak sterilizálva és gőzzel fertőtleníve.

A programokra vonatkozó tudnivalók

1. Az „Eco 40-60” program normális szennyezettségű pamut ruhákat képes tisztítani, melyek ugyanazon cikluson belül 40 °C-on vagy 60 °C-on moshatók; ez a program az ökológiai tervezésre vonatkozó EU jogszabályoknak való megfelelés felmérésére használt.
2. A „kikapcsolva” üzemmód energiafelhasználása 0,49 W, a „standby” üzemmódé pedig 0,49 W.
3. Az energia- és víz felhasználás szempontjából a leghatékonyabb programok általában azok, melyek kisebb hőmérsékleten és hosszabb időtartamon működnek.
4. A háztartási mosógépnek a gyártó által az adott programokhoz előírt kapacitásig való megtöltése hozzájárul a villamos energia és a víz megtakarításához.
5. A mosószerek, az öblítőszer és egyéb adalékok helyes használata. Ne használjon túl sok mosószert. Ez negatívan befolyásolhatja a mosás eredményét.
6. Időszakos tisztítás, beleértve az optimális gyakoriságot is, illetve a mézskő felhalmozódás elleni kezelés és a hozzá kapcsolódó eljárás.
7. A zajt és a maradék nedvesség tartalmat befolyásolja a centrifugálási sebesség: minél nagyobb a centrifugálási fázisban a centrifugálási sebesség, annál nagyobb a zaj és kisebb a nedvesség tartalom szint.
8. A termékre vonatkozó információk, az áramfogyasztásra vonatkozó címke és a termék bejegyzésére vonatkozó információk a QR kód letöltésével szerezhetők meg.

MEGJEGYZÉS: A program időtartama változhat a ruhamennyiség, a vízcsap vízmennyisége, a környezeti hőmérséklet és a kiválasztott kiegészítő funkciók függvényében.

Program	Kiválasztott hőmérséklet	Névleges mosási kapacitás (kg)	Maximális hőmérséklet a dobban.	A program időtartama (óra:perc)	Áramfogyasztás (kWh/ciklus)	Vízfogyasztás (liter/ciklus)	Maradék nedvességartalom	Elért maximális fordulat (ford./perc)
Eco 40- 60 full load		10	40	3:59	1.020	55	51.0	1400
Eco 40-60 half load	-	5	28	3:00	0.430	40	53.0	1400
Eco 40-60 1/4 load	-	2.5	24	3:00	0.220	30	53.5	1400
Cotton	60°C	10	55	3:29	1.560	108	53.0	1400
Mix	40°C	5	45	1:00	0.850	69	45.0	1400
Quick 15'	40°C	1	38	0:30	0.330	22	55.0	800
20°C	20°C	10	20	1:50	0.200	85	51.0	1400

1. EGY PROGRAM ELINDÍTÁSA

Kapcsolja be a készüléket, válassza ki a kívánt programot és funkciókat, a program elindításához pedig nyomja meg az „Indítás/Szünetelés” gombot.

2. KIEGÉSZÍTŐ FUNKCIÓK

A program elindítása előtt kiválaszthat egy kiegészítő funkciót. Nyomja meg a kiválasztani kívánt funkcióhoz tartozó gombot.

Ha egy program nem kapcsolható össze egy kiegészítő funkcióval, az adott funkció nem aktiválható, a világító kijelző pedig automatikusan kialszik.

PREWASH (Előmosás)

A mosás hatásának javulása és a foltok hatékonyabb eltávolítása érdekében válassza ezt a funkciót az előmosás elvégzéséhez. Ez a funkció a nagyon szennyezett ruhákhoz megfelelő.

EXTRA RINSE (További áztatás)

A kiegészítő öblítés funkció bekapcsolása esetén a program az öblítő használata előtt még egyszer elindítja az öblítési folyamatot, a program teljes időtartama megnő.

INTENZÍV - A funkció kiválasztható a mosási idő meghosszabbításához, a mosási hatások erősítéséhez és a foltok jobb eltávolításához.

A PROGRAM VAGY A KIEGÉSZÍTŐ FUNKCIÓK MEGVÁLTOZTATÁSA MŰKÖDÉS KÖZBEN

A készülék kikapcsolásához a program kiválasztó gombot helyezze az „OFF” pozícióba 3 másodpercig.

Indítsa el újból a mosógépet és válasszon ki egy új programot és a kívánt kiegészítő funkciókat. Szükség esetén állítsa be a centrifugálási sebességet.

Az új program elindításához nyomja meg újból az „Indítás/Szünetelés” gombot. Ne adagoljon több mosószeret.

3.A PROGRAM BEFEJÉZÉSE

A program befejezésekor a képernyőn megjelenik az „End” jelzés, az ajtó pedig kinyithatóvá válik. Ha a forgatható gomb az „OFF” pozícióban található, megszűnik az elektromos áramellátás. Amennyiben egyetlen gombot sem használ 2 percig, a készülék automatikusan kikapcsol.

1.A készülék kikapcsolásához a program kiválasztó gombot helyezze az „OFF” pozícióba.

2.Zárja el a vízcsapot.

3.Nyissa ki a készülék ajtóját és szedje ki a mosott ruhákat.

4.A nedvesség dobból való eltávolítása érdekében hagyja az ajtót nyitva.

4.DELAY END – A befejezés késleltetése

A „Delay end” funkció (A befejezés késleltetése) lehetővé teszi a mosógép felhasználó által kívánt időben való működését, például éjszaka, amikor az elektromos áram olcsóbb.

Amikor a készülék standby üzemmódban van, a „Delay end” funkció be- és kikapcsolása érdekében nyomja meg és tartsa benyomva a „Temp.” és „Spin” gombokat. A programozás csökkentéséhez nyomja meg „Temp” gombot, a programozás növeléséhez pedig nyomja meg a „Spin” gombot. A programozási funkció bekapcsolása után, a „Temp.” és a „Spin” gombok megnyomása már nem változtatja meg a programozás paramétereit. A gomb minden egyes megnyomásakor az időtartam 1 órával változik. A késleltetési időtartamnak a mosási program időtartamánál nagyobbnak kell lennie, mivel a program a késleltetési idő lejártakor befejeződik. Például: ha a kiválasztott program időtartama 02:28, a kiválasztott késleltetési időtartamnak 03:00 és 24:00 közöttinek kell lennie.

A bekapcsolt programozás esetén kigyúl a „programozás” piktogram. A programozási időtartam lejártakor, a „programozás” piktogram kialszik, és kigyúl a „hátralévő időtartam” piktogram.

A „Delay End” funkció érvénytelenítéséhez a program kiválasztó gombot forgassa egy másik pozícióba, majd nyomja meg az „Indítás/Szünetelés” gombot.

5.GYERMEKZÁR FUNKCIÓ

A gyermekek biztonsága érdekében ez a készülék gyermekzárral van ellátva.

A program elindításakor, 2 másodpercig nyomja be és tartsa benyomva egyszerre a

„Spin+Options” gombokat. Ekkor bekapcsolja a gyermekzár, a funkcióhoz tartozó fényjelző pedig kigyúl. A gyermekzár funkció bekapcsolása esetén, a funkcionális gombok (az „OFF” gomb kivételével) zárolva vannak. A program befejezése után a gyermekzár funkció automatikusan kikapcsol. A gyermekzár funkció egy hibüzenet megjelenése esetén azonnal kikapcsol.

A készülék kézi kikapcsolása vagy az áramellátás megszüntetése kikapcsolja a funkciót.

6.BIZTONSÁGI GYERMEKZÁR

A gyermekek biztonsága érdekében ez a gép biztonsági gyermekzár funkcióval van ellátva. A program elindításakor nyomja meg és tartsa egyszerre benyomva 2 másodpercig a

„Temp.” és „Spin” gombokat. A készülék rövid fényjelzést bocsát ki. A képernyőn megjelenik a „SAFE ON” jelzés. Két másodperc múlva a képernyő kijelzi a program befejezéséig maradt időt. Ismétlje meg ezt a műveletet. A készülék rövid hangjelzést bocsát ki. A képernyőn megjelenik a „SAFE OFF” kijelzés, a gyermekzár pedig kikapcsol. A gyermekzár funkció

bekapcsolása esetén, a funkcionális gombok (az „OFF” gomb kivételével) zárolva vannak. Bármely funkció kiválasztását követően (az „OFF” funkció kivételével) a készülék rövid hangjelzést bocsát ki. A képernyőn 2 másodpercig megjelenik a „SAFE on” kijelzés. A program befejezése után a biztonsági gyermekzár automatikusan kikapcsol. A gyermekzár funkció egy hibüzenet megjelenése esetén azonnal kikapcsol.

A mosógép kézi megállítása és elindítása érvényteleníti a funkciót. A gyermekzár nem kapcsolható be, amikor a készülék standby üzemmódban van.

7.A HANGJELZÉS KIKAPCSOLÁSA

Nyomja be és tartsa egyszerre benyomva a „Spin” és a „DelayEnd” gombokat 2 másodpercig. A képernyőn megjelenik a „bEEp OFF” kijelzés. Minden hangjelzés kikapcsol, kivéve a riasztó hangjelzéseket. A hangjelzés kikapcsolásakor ismételve meg ezt a műveletet, a képernyőn pedig „bEEp on” kijelzés jelenik meg. Minden hangjelzés bekapcsol. A hangjelzés a kézzel való érvénytelenítéséig marad bekapcsolva.

8.KEDVENC PROGRAM

A program kiválasztása, az egyes paraméterek beállítása és indítása után tartsa lenyomva a Kedvenc gombot 3 másodpercig a kiválasztott program, hőmérséklet, forgási sebesség és egyéb kapcsolódó beállítások memorizálásához, majd világít a Kedvenc szimbólum. Ha módosítja a programot, vagy más gombokat nyom meg, a Kedvenc szimbólum kialszik.

Ha a szimbólum nem világít, nyomja meg röviden a Kedvenc gombot: a program automatikusan átvált az utoljára memorizált programra, az idő, hőmérséklet, fordulatszám utoljára memorizált összes paraméterével. Amikor először használja, anélkül, hogy bármilyen programot előre tárolna, a Kedvenc gomb rövid megnyomásával alapértelmezés szerint megjelenik a pamutprogram és az alapértelmezett beállítások.

9.AZ AJTÓ BECSUKÁSA/KINYITÁSA

A program befejezése után a képernyő az „End” üzenetet jelzi ki, az ajtó lezárását jelölő fényjelző pedig kialszik.

Az ajtó kinyithatóvá válik.

Ha a program működése közben akarja kinyitni az ajtót, nyomja meg az „Indítás/Szünetelés” gombot, ha az ajtó bezáródását jelölő fényjelző villog, az ajtó kinyitható. 2 perc múlva az ajtó bezárását jelző fényjelző kialszik, az ajtó pedig kinyithatóvá válik. Ha nem villog az ajtó bezáródását jelölő fényjelző, az ajtó nem nyitható ki. Ebben az esetben, ha ki szeretné nyitni az ajtót, a program kiválasztó gombot helyezze 3 másodpercre az „OFF” pozícióba, majd indítsa el újra a mosógépet. Válassza ki a „Centrifugálás” funkciót és állítsa a centrifugálási sebességet a „0” pozícióra. A program befejezése után az ajtó bezárását jelölő fényjelző kialszik, az ajtó pedig kinyithatóvá válik. A készülék működése közben ne nyissa ki erőszakkal az ajtót, mivel fennáll annak a veszélye, hogy elrontja az ajtózárt. Az ajtót a fogantyújától fogva nyissa ki. Az ajtót nagy erőt kifejtése nélkül benyomva csukja be.

10.ÚJRABETÖLTÉS FOLYAMATBAN

Ha mosás közben szeretné újra betölteni a ruhákat, nyomja meg a „Start/Szünet” gombot.

Ha közben az ajtó kinyitható, az ajtózárt jelzőfénye villogni kezd. Amíg az ajtózárt jelzőfénye ki nem kapcsol, kinyithatja az ajtót ruhák betöltéséhez.

Ha az ajtózárt jelzőfénye nem villog, az azt jelzi, hogy az aktuális hőmérséklet meghaladja az 50 °C-ot, vagy túllépte az újratöltési időt, vagyis nem szabad ruhát betölteni a gépbe.

11. AUTOMATIKUS SÚLYMÉRÉS

A mosógép indítás után a „- -” feliratot jelzi, jelezve, hogy a gép automatikusan mér. A program hosszát (óra: perc) automatikusan beállítja a ruhák súlyának megfelelően

12.STEAM

Nyomja meg röviden, gőz funkciót ad, és a gőz ikon kigyullad.

Nyomja meg kétszer a funkció törléséhez és a sorozatos ciklushoz.

8. KARBANTARTÁS ÉS TISZTÍTÁS

A készülék külső felülete és a kezelőlap

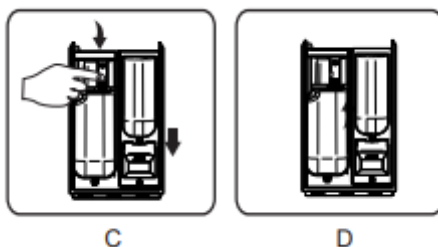
- Puha, nedves ruhával lemosható.
- Kevés semleges mosószer (nem dörzshatású) is használható.
- Puha ruhával törölje szárazra.

Ajtótömítés

- Szükség esetén nedves ruhával tisztítsa meg.
- Időnként ellenőrizze az ajtótömítés állapotát.

Mosószer tároló fiók

- 1.Nyomja meg a ruhaöblítő reteszben lévő szétkapcsoló kart és vegye ki a fiókot (C ábra).
- 2.Távolítsa el a szifont az öblítő tároló reteszből (D ábra).
- 3.Minden tartozékot mosson meg vízszög alatt.
- 4.Illessze be a szifont és tegye a helyére a fiókot.

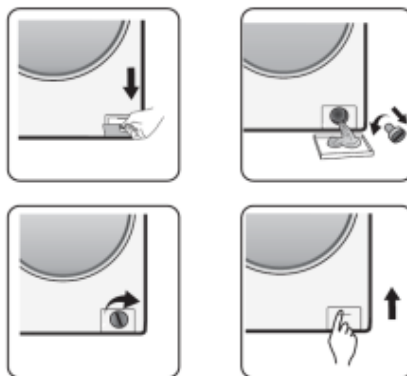


Szűrő

Javasoljuk, hogy rendszeresen, évente legalább kétszer-háromszor ellenőrizze és tisztítsa meg a szűrőt.

Különösen:

- Ha a készülék nem megfelelően ereszti le a vizet, vagy ha kihagyja a centrifugálási ciklus végrehajtását.
- Ha a szivattyút valamilyen idegen tárgy gátolja a működésben (pl. gomb, pénzérme, biztonsági tű).



Fontos: Bizonyosodjon meg róla, hogy a készülékből való kivezetés előtt a víz meghűlt.

- 1.Kapcsolja ki a készüléket, és húzza ki a dugaszt az áramforrásból.
- 2.A modelltől függően, távolítsa el a lábamatot oldalról tartva, lefelé nyomva és előre döntve. Váltakozva nyomja meg az oldalsó felfogató elemeket és távolítsa el.
- 3.Helyezzen egy edényt alája.
- 4.Lazítsa fel a szűrőt, de ne vegye ki teljesen. Csavarja óvatosan a szűrőt az óramutató járásával ellentétes irányba mindaddig, amíg a víz el kezd folyni.
- 5.Várjon, amíg az összes víz kifolyik.
- 6.Csavarja ki teljesen a szűrőt és távolítsa el.
- 7.Tisztítsa meg a szűrőt és a szűrő reteszt.
- 8.Bizonyosodjon meg róla, hogy a szivattyú forgórésze nehézség nélkül mozog.

- 9.Helyezze vissza a szűrőt és az óramutató járásával azonos irányba csavarja vissza teljesen.
- 10.Csukja le fedelelet.
- 11.Csatlakoztassa újból a készüléket az áramforráshoz.
- 12.Válasszon ki egy programot és indítsa el.

Vízagoló tömlő

Időnként ellenőrizze a vízagoló tömlőt, hogy észrevegye, ha törékeny vagy megrepedt. Szükség esetén cserélje ki egy azonos típusú új tömlővel.

Szitaszűrő a vízhez csatlakoztatáshoz

Időnként ellenőrizze és tisztítsa meg. A „D” ábrán megjelölt típusú vízagoló tömlővel ellátott mosógépekhez.



- 1.Zárja el a csapot és szerelje le a csapról a vízagoló tömlőt.
- 2.Tisztítsa ki a belső szűrőkészüléket és rögzíts újból a csapra a vízagoló tömlőt.
- 3.Szerelje le a mosógép hátsó részén található vízagoló tömlőt.
- 4.Egy csípőfogó segítségével távolítsa el a szitaszűrőt a mosógép csatlakozójából, és tisztítsa meg.
- 5.Tegye helyére a szitaszűrőt és rögzítse a helyére a vízagoló tömlőt.
- 6.Nyissa ki a csapot és győződjön meg arról, hogy tökéletesen vízmentesek-e a csatlakoztatások.

9. HIBAELHÁRÍTÁS

A típustól függően a mosógép különféle automatikus biztonsági funkciókkal rendelkezik. Ez lehetővé teszi a meghibásodások időbeni észlelését, és a biztonsági rendszer ennek megfelelően tud reagálni. Az észlelt hibák gyakran olyan aprók, hogy percek alatt kiküszöbölhetők.

A mosógép nem indul el.

Ellenőrizze a következőket:

- a hálózati csatlakozó be van-e dugva az aljzatba.
- megfelelően működik-e a fali aljzat (használjon egy lámpát vagy hasonló készüléket az ellenőrzéshez);
- az ajtó megfelelően van becsukva.
- megnyomta az „Indítás/Szünetelés” gombot.
- A mosógép nem indul el és a "Start / Szünet" jelzőfény villog.

Ellenőrizi, hogy:

- az ajtó megfelelően zárva van (gyermekbiztonság);
- megnyomta a "Start / Szünet" gombot;
- kigyullad a "Vízcsap zárva" jelzés. Nyissa ki a vízcsapot és nyomja meg a gombot "Start / Szünet" gomb

A mosógép üzemelés közben megáll

Ellenőrizze a következőket:

- az ajtó ki volt nyitva, az „Indítás/Szünetelés” gomb pedig nem volt megnyomva.
- Csukja be az ajtót és nyomja meg újra az „Indítás/Szünetelés” gombot.
- ha sok hab van a mosógépben (a gép elkezd ahab eltávolító műveletet). Egy idő után a készülék automatikusan el kezd működni.
- bekapcsolt a mosógép biztonsági rendszere (tanulmányozza a hibákat tartalmazó táblázatot).
- A mosószer tartó maradékokat és adalékokat tartalmaz a mosás befejezésekor

Ellenőrizze a következőket:

- az öblítőhöz használt rekesz védőfedele és a főmosáshoz használt rekesz elválasztója megfelelően vannak a mosószer fiókba szerelve és minden tartozék tiszta (tanulmányozza a „Tisztítás és karbantartás” című fejezetet);
- Elégséges a vízellátás. A vízellátó csatlakoztatás szitaszűrői eldugulhatnak (tanulmányozza a „Tisztítás és karbantartás” fejezetet);
- A gép vibrál a centrifugálási ciklus közben

Ellenőrizze a következőket:

- A mosógép egyenes és mind a négy lábára támaszkodik.
- eltávolította a szállításhoz használt csavarokat. A mosógép használata előtt távolítsa el a szállítási rögzítőcsavarokat.

Nem kielégítő a végső centrifugálás eredménye

A mosógép egy instabilitást észlelő és kiigazító rendszerrel van ellátva. Nehéz ruhákkal való megterhelés esetén (például: fürdőköpeny), ez a rendszer automatikusan csökkentheti a centrifugálási sebességet vagy akár teljesen meg is szakíthatja a centrifugálási ciklust túl nagy instabilitás észlelése esetén, a centrifugálás többszöri elindítása után is, a mosógép védelme érdekében.

- Ha a ciklus végén a ruhák túl nedvesek, vegyen ki néhány ruhát, és ismétlje meg a centrifugálási ciklust.
- A túlzott habképzés megakadályozhassa a centrifugálást. Használjon megfelelő mennyiségű mosószeret.
- Győződjön meg róla, hogy a centrifugálási sebesség beállító nincs „0”-ra állítva.

HIBAKÓDOK

A kijelző „F01”-et jelöl ki

A mosógép nincs vízzel ellátva vagy nem elegendő a vízmennyiség. Végezze el az alábbi ellenőrzéseket:

- Győződjön meg arról, hogy a csap teljesen ki van nyitva és a víz nyomása elégséges.
- Bizonyosodjon meg, hogy a vízellátó tömlő nincs meghajlítva.
- Győződjön meg arról, hogy a vízellátó tömlő szűrőszitája nincs eldugulva (tanulmányozza a karbantartásra és hibaelhárításra vonatkozó fejezetet).
- Bizonyosodjon meg, hogy a vezetékben lévő víz nem fagyott meg.

A hiba elhárítása után nyomja meg az „Indítás/Szünetelés” gombot. Amennyiben a hiba ismét jelentkezik, forduljon hivatalos javítóközpontoz.

A kijelző „F03”-at jelöl ki

Nem ürült ki a víz a mosógépből. A mosógép megállítja a programot működés közben. Kapcsolja ki a mosógépet, és csatlakoztassa le a hálózati áramforrásról. Végezze el az alábbi ellenőrzéseket:

- Bizonyosodjon meg, hogy a kivezető tömlő nincs meghajlítva.
- Bizonyosodjon meg, hogy a kimeneti szivattyú nincs eldugulva (tanulmányozza a kimeneti szivattyú tisztítására vonatkozó fejezetet).

Fontos: Mielőtt eltávolítaná a gépből, győződjön meg, hogy meghűlt a víz.

- Bizonyosodjon meg, hogy a kivezető tömlőben lévő víz nem fagyott meg. Csatlakoztassa újból a készüléket az áramforráshoz.

Válassza ki és indítsa el a „Centrifugálás” programot vagy nyomja meg és tartsa benyomva az „Indítás/Szünetelés” gombot legalább 3 másodpercig, majd indítsa újra a kívánt programot.

Amennyiben a hiba ismét jelentkezik, forduljon hivatalos javítóközpontoz.

Az „F13” hibakód kijelzése esetén

Az ajtó nincs megfelelően bereteselve. Indítsa el a programot és hagyja 20 másodpercig működni, majd nyissa ki a mosógép ajtóját (PTC), és ellenőrizze, hogy megfelelően be van-e csukva. Nyissa ki az ajtót és csukja be.

A hiba elhárítása után, nyomja meg az „Indítás/Szünetelés” gombot. Amennyiben a hiba újból megjelenik, húzza ki a dugaszt az elektromos áramforrásból és lépjen kapcsolatba egy hivatalos javítóközponttal.

Az „F14” hibakód kijelzése esetén

Ajtónyitási hiba.

Kövesse az alábbi lépéseket: Nyomja meg az „Indítás/Szünetelés” gombot. A mosógép megpróbálja kinyitni az ajtót. A figyelmeztetés nem tüntethető ki mindaddig, amíg az ajtó nincs kioldva. Alternatív megoldásként a készülék kikapcsolásához a forgatható gombot helyezze az „Off” pozícióba 3 másodpercig. Nyomja meg bármelyik gombot a készülék elindításához. A figyelmeztetés eltűnik.

Az „F24” hibakód kijelzése esetén

A vízszint elérte a túl tele töltés határát. Nyomja meg az „Indítás/Szünetelés” gombot.

Válassza ki és indítsa el a kívánt programot. Amennyiben a hiba újból megjelenik, húzza ki a dugaszt az elektromos áramforrásból és lépjen kapcsolatba egy hivatalos javítóközponttal.

Ha egy másik hibakódot jelez ki: „F04” – “F98”

Elektronikus modul hiba

A készülék kikapcsolásához a forgatható gombot helyezze az „Off” pozícióba 3 másodpercig.

A hiba elhárítása után, nyomja meg az „Indítás/Szünetelés” gombot. Amennyiben a hiba újból megjelenik, húzza ki a dugaszt az elektromos áramforrásból és lépjen kapcsolatba egy hivatalos javítóközponttal.

Az „Unb” hibakód kijelzése esetén

A gép instabilitására vonatkozó figyelmeztetés az alábbi módon távolítható el:

1. Ha túlzásúfolódtak a ruhák

A készülék kikapcsolásához a forgatható gombot helyezze az „Off” pozícióba 3 másodpercig. Nyissa ki az ajtót, rázza meg a ruhákat és helyezze vissza a mosógépbe, majd a ruhák újra szárítása érdekében válassza ki a szárítás programot.

2. Ha túl könnyűek a ruhák

A készülék kikapcsolásához a forgatható gombot helyezze az „Off” pozícióba 3 másodpercig. Nyissa ki az ajtót, helyezzen a gépbe egy vagy két törülközőt, majd a ruhák újra szárítása érdekében válassza ki a szárítás programot.

Egy hivatalos javítóközponttal való kapcsolatba lépés előtt

1. Próbálja meg saját szakállára elhárítani a hibát (tanulmányozza a „Hibamegoldás” fejezetet).

2. A hiba megoldásának ellenőrzése érdekében indítsa újra a programot.

3. Amennyiben a mosógép továbbra is nem megfelelően működik, lépjen kapcsolatba egy hivatalos javítóközponttal.

TECHNIKAI ADATOK

A műszaki adatok a készülék belső oldalán található teljesítménytáblán és az energiacímkén találhatóak.

A készülékhez mellékelt energiacímkén található QR-kód egy internetes linket biztosít a készülék teljesítményére vonatkozó információkhoz az EU EPREL adatbázisában.

Az energiacímkét a használati útmutatóval és a készülékhez mellékelt minden más dokumentummal együtt őrizze meg.

Ugyanezek az információk az EPREL-ben is megtalálhatók a <https://eprel.ec.europa.eu> link, valamint a készülék teljesítménytábláján található típusnév és termékszám segítségével.

Az EPREL portálon a termékével kapcsolatos információkhoz az alábbi kódok beolvasásával juthat hozzá:



Köszönjük, hogy megvásárolta ezt a terméket. Ha támogatásra van szüksége a termékkel kapcsolatban, látogasson el weboldalunkra az alábbi linkek segítségével.

Felhasználói kézikönyvek beszerzése: <https://www.heinner.ro>

Szolgáltatással kapcsolatos információk: <https://www.heinner.ro>



Környezetbarát ártalmatlanítás

Ön is segíthet a környezet védelmében!

Ne feledje, hogy tartsa be a helyi előírásokat: a nem működő elektromos berendezéseket adja le a megfelelő hulladékkezelő központban.



A HEINNER a Network One Distribution SRL bejegyzett védjegye. Más márkák és terméknevek a megfelelő jogosultak védjegyei vagy bejegyzett védjegyei.

A specifikációk semmilyen formában vagy eszközzel nem reprodukálhatók, illetve nem használhatók fel származékos termékek készítésére, például fordításra, átalakításra vagy adaptációra a NETWORK ONE DISTRIBUTION engedélye nélkül.

Copyright © 2013 Network One Distribution. Minden jog fenntartva.

www.heinner.com, <http://www.nod.ro>



Ez a termék megfelel az Európai Közösség normáinak és szabványainak.



Importőr: Network One Distribution

Marcel Iancu Street, 3-5, Bukarest, Románia

Tel: +40 21 211 18 56, www.heinner.com , www.nod.ro

Ovaj dokument je originalno proizveden i objavljen od strane proizvođača, brenda Heinner, i preuzet je sa njihove zvanične stranice. S obzirom na ovu činjenicu, Tehnoteka ističe da ne preuzima odgovornost za tačnost, celovitost ili pouzdanost informacija, podataka, mišljenja, saveta ili izjava sadržanih u ovom dokumentu.

Napominjemo da Tehnoteka nema ovlašćenje da izvrši bilo kakve izmene ili dopune na ovom dokumentu, stoga nismo odgovorni za eventualne greške, propuste ili netačnosti koje se mogu naći unutar njega. Tehnoteka ne odgovara za štetu nanесenu korisnicima pri upotrebi netačnih podataka. Ukoliko imate dodatna pitanja o proizvodu, ljubazno vas molimo da kontaktirate direktno proizvođača kako biste dobili sve detaljne informacije.

Za najnovije informacije o ceni, dostupnim akcijama i tehničkim karakteristikama proizvoda koji se pominje u ovom dokumentu, molimo posetite našu stranicu klikom na sledeći link:

<https://tehnoteka.rs/p/heinner-masina-za-pranje-vesa-hwm-hmk1014ivta-akcija-cena/>