

Uputstvo za upotrebu

CANDY aspirator CBT60RBG

The logo for the brand CANDY, featuring the word "CANDY" in a stylized, blue, italicized font.

Tehnoteka je online destinacija za upoređivanje cena i karakteristika bele tehnike, potrošačke elektronike i IT uređaja kod trgovinskih lanaca i internet prodavnica u Srbiji. Naša stranica vam omogućava da istražite najnovije informacije, detaljne karakteristike i konkurentne cene proizvoda.

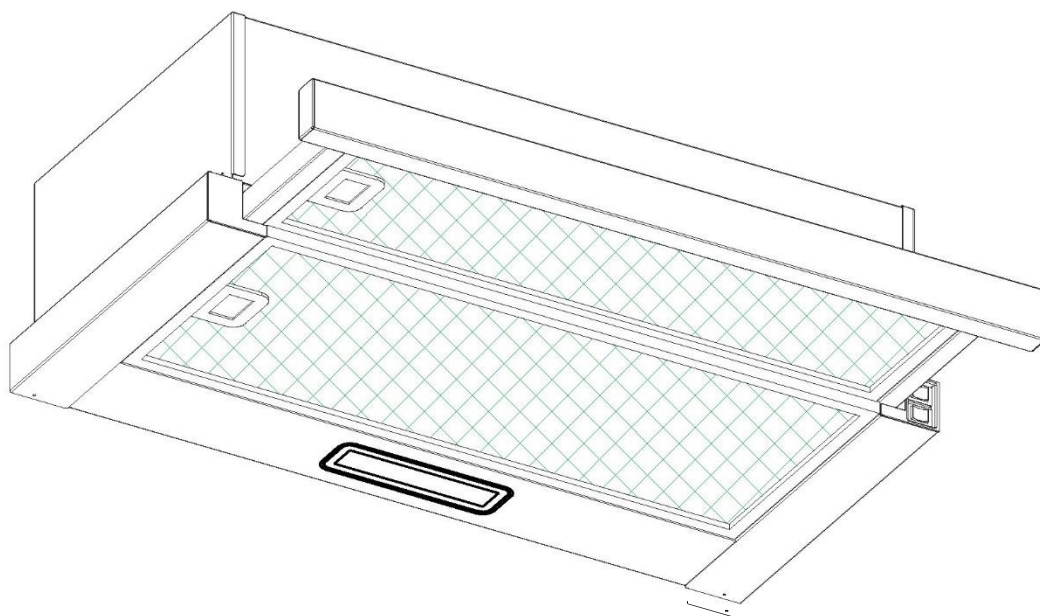
Posetite nas i uživajte u ekskluzivnom iskustvu pametne kupovine klikom na link:

<https://tehnoteka.rs/p/candy-aspirator-cbt60rbg-akcija-cena/>

CBT60RBC

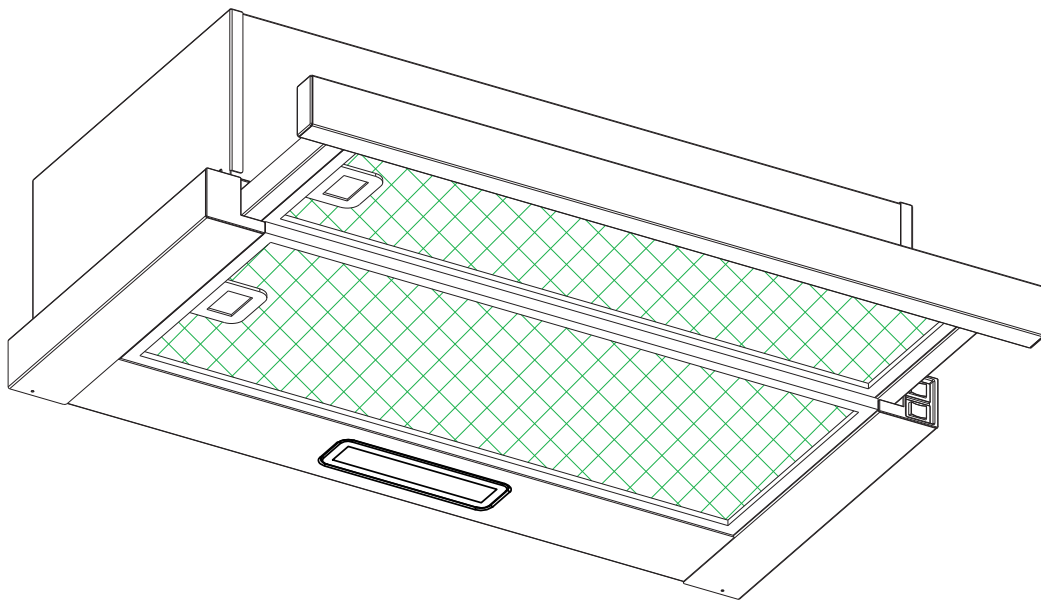
Cooker Hood

Instruction Manual



ENGLISH (EN).....	page 001
CZECH (CS).....	page 013
FRENCH (FR).....	page 025
POLISH (PL).....	page 038
SLOVAK (SK)	page 051
SERBIAN (SR).....	page 064
ROMÂNĂ (RO)	page 076
العربية (AR).....	الصفحة 088
HRVATSKI (HR)	page 100
MAGYAR (HU).....	112. oldal

Cooker Hood Instruction Manual



Content

1.....	Safety instructions
2.....	Installation
3.....	Start using your cooker hood
4.....	Troubleshooting
5.....	Maintenance and cleaning
6.....	Environment protection

SAFETY INSTRUCTIONS

This manual explains the proper installation and use of your cooker hood, please read it carefully before using even if you are familiar with the product. The manual should be kept in a safe place for future reference.

Never to do:

- Do not try to use the cooker hood without the grease filters or if the filters are excessively greasy!
- Do not install above a cooker with a high level grill.
- Do not leave frying pans unattended during use because overheated fats or oils might catch fire.
- Never leave naked flames under the cooker hood.



- If the cooker hood is damaged, do not attempt to use.
- Do not flambé under the cooker hood.
- CAUTION: Accessible parts may become hot when used with cooking appliances.
- The minimum distance between the supporting surface for the cooking vessels on the hob and the lowest part of the cooker hood. (When the cooker hood is located above a gas appliance, this distance shall be at least 65 cm)
- The air must not be discharged into a flue that is used for exhausting fumes from appliances burning gas or other fuels.



Always to do:

- Important! Always switch off the electricity supply at the mains during installation and maintenance such as light bulb replacement.
- The cooker hood must be installed in accordance with the installation instructions and all measurements followed.
- All installation work must be carried out by a competent person or qualified electrician.
- Please dispose of the packing material carefully. Children are vulnerable to it.
- Pay attention to the sharp edges inside the cooker hood especially during installation and cleaning.
- When the cooker hood is located above a gas appliance, the minimum distance between the supporting surface for the cooking vessels on the hob and the lowest part of the cooker hood that distance must be:
Gas cookers: 75 cm
Electric cookers: 65 cm
Coal or oil cookers: 75 cm
- Make sure the ducting has no bends sharper than 90 degrees as this will reduce the efficiency of the cooker hood.
- Warning: Failure to install the screws or fixing device in accordance with these instructions may result in electrical hazards

Always to do:

- Always put lids on pots and pans when cooking on a gas cooker.
- When in extraction mode, air in the room is being removed by the cooker hood. Please make sure that proper ventilation measures are being observed. The cooker hood removes odours from room but not steam.
- Cooker hood is for domestic use only.



- If the supply cord is damaged, it must be replaced by the manufacturer, its service agent or similarly qualified persons in order to avoid a hazard.
- This appliance can be used by children aged from 8 years and above and persons with reduced physical, sensory or mental capabilities or lack of experience and knowledge if they have been given supervision or instruction concerning use of the appliance in a safe way and understand the hazards involved. Children shall not play with the appliance. Cleaning and user maintenance shall not be made by children without supervision.



- **Warning:** Before obtaining access to terminals, all supply circuits must be disconnected.

Always to do:

- **Caution:** The appliance and its accessible parts can become hot during operation. Be careful to avoid touching the heating elements. Children younger than 8 years old should stay away unless they are under permanent supervision.
- There shall be adequate ventilation of the room when the cooker hood is used at the same time as appliances burning gas or other fuels.
- There is a fire risk if cleaning is not carried out in accordance with the instructions
- Regulations concerning the discharge of air have to be fulfilled.
- Clean your appliance periodically by following the method given in the chapter MAINTENANCE.
- For safety reason, please use only the same size of fixing or mounting screw which are recommended in this instruction manual.
- Regarding the details about the method and frequency of cleaning, please refer to maintenance and cleaning section in the instruction manual.
- Cleaning and user maintenance shall not be made by children without supervision.
- When the cooker hood and appliances supplied with energy other than electricity are simultaneously in operation, the negative pressure in the room must not exceed 4 Pa (4 x 10⁻⁵ bar).
- **WARNING:** Danger of fire: do not store items on the cooking surfaces.
- A steam cleaner is not to be used.
- **NEVER** try to extinguish a fire with water, but switch off the appliance and then cover flame e.g. with a lid or a fire blanket.

INSTALLATION (VENT OUTSIDE)

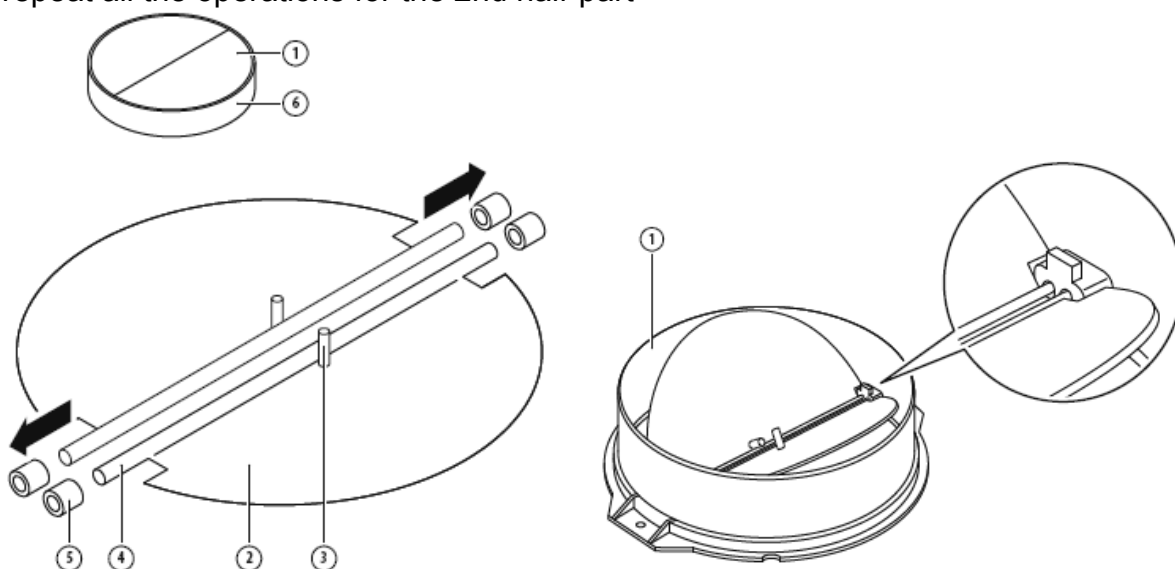
MOUNTING OF THE V-FLAP

**Optional accessory supplied only with some models.*

If the cooker hood does not have an assembled V-flap 1, you should mount the half-parts to its body. The images only show an example of how to mount the V-flap, the outlet may be various according to different models and configuration.

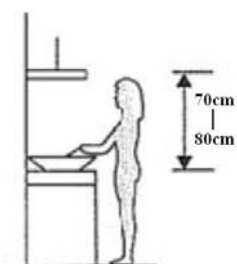
To mount the V-flap 1 you should:

- Mount two half-parts 2 into the body 6
- a pin 3 should be top oriented;
- the axis 4 should be inserted in the holes 5 on body;
- repeat all the operations for the 2nd half-part

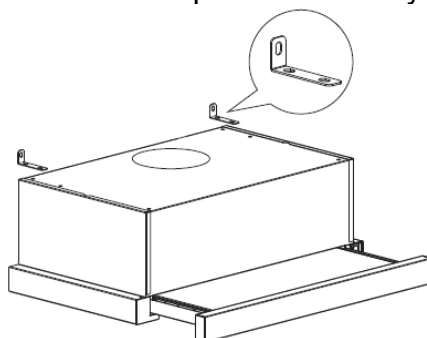


INSTALLATION (Wall Mounting)

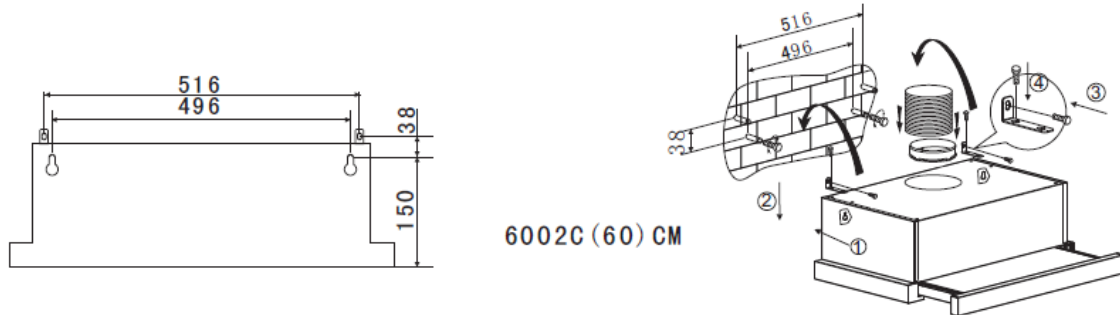
1. Decide the location of the holes for fixing the cooker hood.



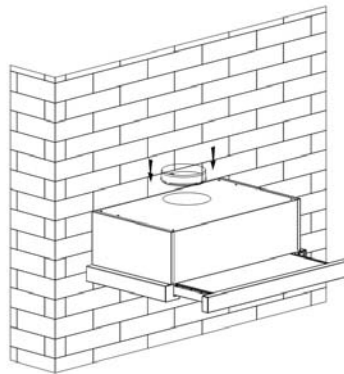
2. Install the L-shaped bracket on the top of the hood by two screws (4mm x 10mm)



- The cooker hood is wall mounted by 4 screws (4mm x 30mm) and wall plugs. Mount the cooker hood on the wall on the back of the cooker hood by 2 screws (4mm x 30mm) and wall plugs. Then fix the cooker hood on the wall by 2 screws (4mm x 30mm) and wall plugs through the small L-shaped bracket.

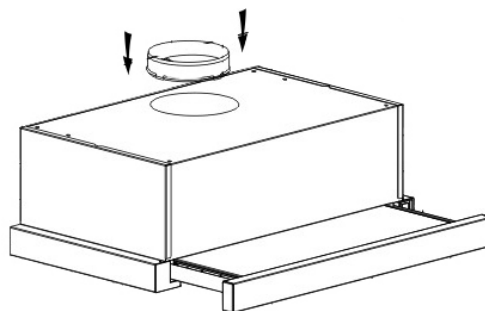


- Fix the one-way-valve to the air outlet of the cooker hood.

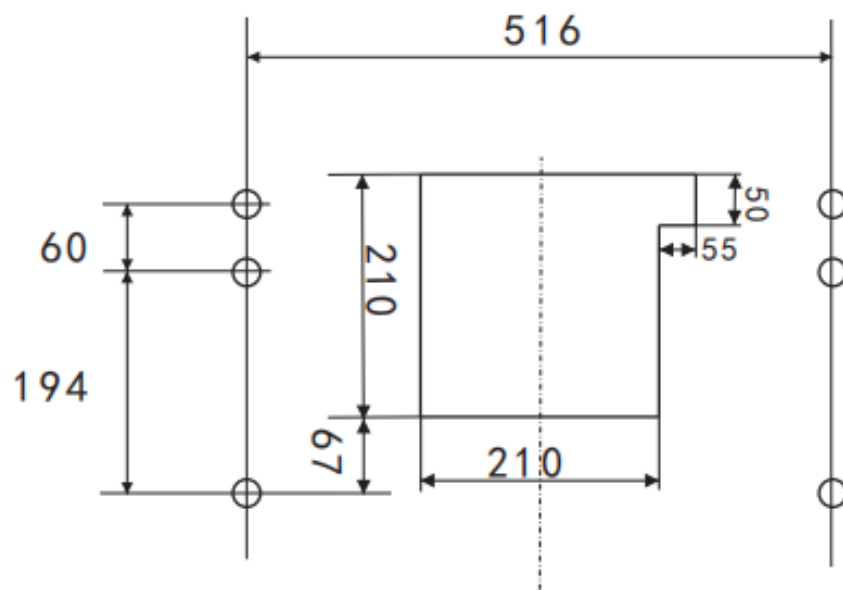


INSTALLATION (Cabinet Mounting)

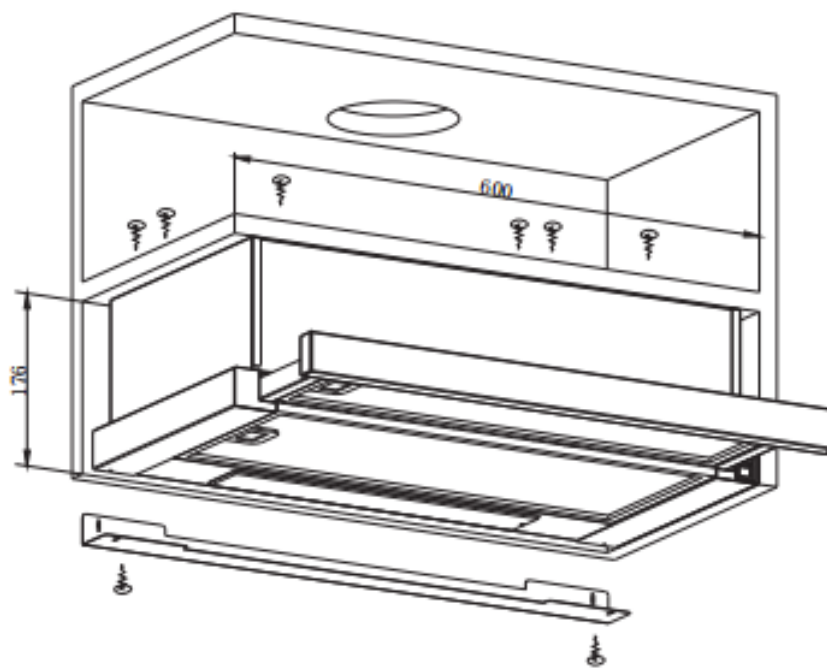
- Fix the one-way-valve to the air outlet of the cooker hood.

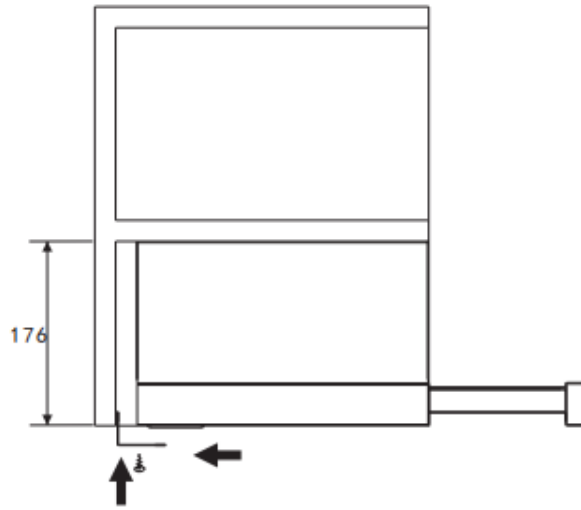


- Mount the cooker hood on the cabinet by 6 screws (4x35mm) and flat washers.




60CM



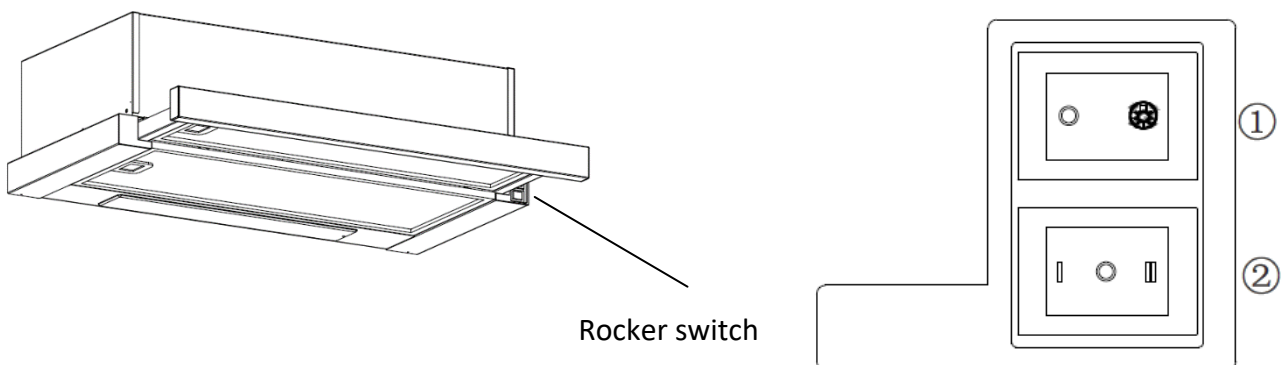



If there is gap between the wall and the cooker hood, you may install the L-shaped bracket on the bottom of the hood by two screws (3 x 12mm).
The installation of the L-shaped bracket is optional.
Note: The expansion pipe is not included in the product.

<p>WARNING:</p> 	<ul style="list-style-type: none"> ➤ For safety reason, please use only the same size of fixing or mounting screw which are recommended in this instruction manual. ➤ Failure to install the screws or fixing device in accordance with these instructions may result in electrical hazards.
---	--

Start Using Your Cooker Hood

Rocker switch



1. Insert the power plug into the socket.
2. Push switch ① to , the lamp will be on; push switch ① to "0", the lamp will be off.
3. Push the switch ② into "I, II", the motor will be on "low, high" two speeds, push into "0", the motor will be off.

4. The power will be connected when pull out the front panel. Conversely, the power will be automatically disconnected.

TROUBLESHOOTING

Fault	Possible Cause	Solution
Light on, but motor does not work	Fan switch turned off	Select a fan switch position.
	Fan switch failed	Contact service center.
	Motor failed	Contact service center.
Light does not work, motor does not work	House fuses blown	Reset/Replace fuses.
	Power cord loose or disconnected	Refit cord to power outlet. Switch power outlet on.
Oil leakage	One way valve and the outlet are not tightly sealed	Take down the one way valve and seal with sealant.
	Leakage from the connection of chimney and cover	Take chimney down and seal.
Lights not working	Broken/Faulty globes	Replace globes as per this instruction.
Insufficient suction	The distance between the cooker hood and the gas top is too far	Refit the cooker hood to the correct distance.
The Cooker hood inclines	The fixing screw not tight enough	Tighten the hanging screw and make it horizontal.

NOTE:

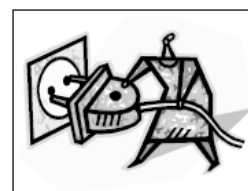


Any electrical repairs to this appliance must conform to your local, state and federal laws. Please contact the service centre if in any doubt before undertaking any of the above. Always disconnect the unit from the power source when opening the unit.

MAINTENANCE AND CLEANING

Caution:

- Before maintenance or cleaning is carried out, the cooker hood should be disconnected from the main power supply. Ensure that the cooker hood is switched off at the wall socket and the plug removed.



- External surfaces are susceptible to scratches and abrasions, so please follow the cleaning instructions to ensure the best possible result is achieved without damage.

GENERAL

Cleaning and maintenance should be carried out with the appliance cold especially when cleaning. Avoid leaving alkaline or acid substances (lemon juice, vinegar etc.) on the surfaces.

STAINLESS STEEL

The stainless steel must be cleaned regularly (e.g. weekly) to ensure long life expectancy. Dry with a clean soft cloth. A specialized stainless steel cleaning fluid may be used.

NOTE:

Ensure that wiping is done along with the grain of the stainless steel to prevent any unsightly crisscross scratching patterns from appearing.

CONTROL PANEL SURFACE

The inlay control panel can be cleaned using warm soapy water. Ensure the cloth is clean and well wrung before cleaning. Use a dry soft cloth to remove any excess moisture left after cleaning.

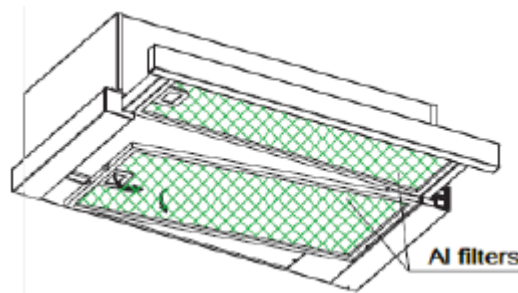
Important

Using neutral detergents and avoid using harsh cleaning chemicals, strong household detergents or products containing abrasives, as this will affect the appliance appearance and potentially remove any printing of artwork on the control panel and will void manufacturer's warranty.

GREASE MESH FILTERS

The mesh filters can be cleaned by hand. Soak them for about 3 minutes in water with a grease-loosening detergent then brush it gently with a soft brush. Please do not apply too much pressure, avoid to damage it. (Leave to dry naturally out of direct sunlight)

Filters should be washed separately to crockery and kitchen utensils. It is advisable not to use rinse aid.



INSTALLING GREASE MESH FILTERS

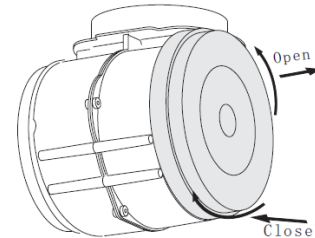
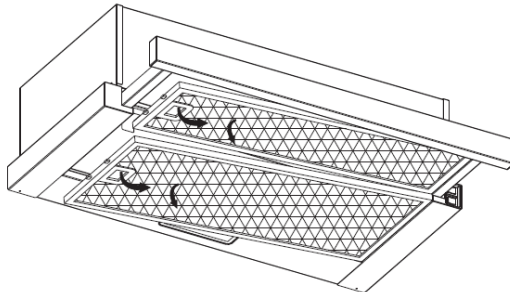
- To install filters for the following four steps .
 - Angle the filter into slots at the back of the hood.
 - Push the button on handle of the filter.
 - Release the handle once the filter fits into a resting position.
 - Repeat to install all filters.

CARBON FILTER- not supplied

Activated carbon filter can be used to trap odors. Normally the activated carbon filter

should be changed at three or six months according to your cooking habit. The installation procedure of activated carbon filter is as below.


- (1) Slide the front part of the cooker hood.
- (2) The al filter should be detached first. Press the lock and pull it downward.
- (3) Take out the carbon filter by rotating the carbon filter anti-clockwise.
- (4) Replace the new carbon filter.



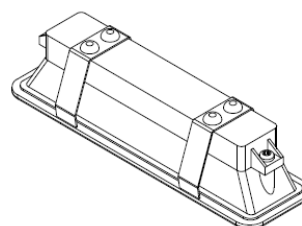
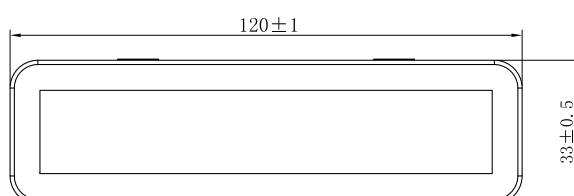
NOTE:

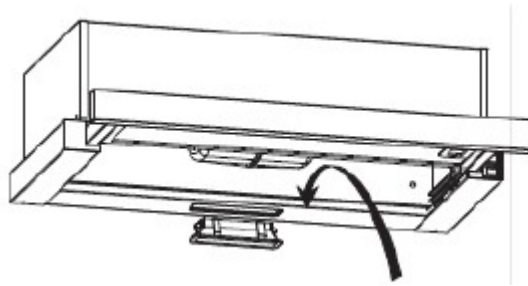
- Make sure the filter is securely locked. Otherwise, it would loosen and cause dangerous.
- When activated carbon filter attached, the suction power will be lowered.

BULB REPLACEMENT

<p>Important :</p> 	<ul style="list-style-type: none"> ✧ The bulb must be replaced by the manufacturer, its service agent or similarly qualified persons. ✧ Always switch off the electricity supply before carrying out any operations on the appliance. When handling bulb, make sure it is completely cool down before any direct contact to hands. ✧ When handling globes hold with a cloth or gloves to ensure perspiration does not come in contact with the globe as this can reduce the life of the globe.
--	---

- (1) Switch off the appliance and unplug it.
 - (2) Slide the front part of the cooker hood.
 - (3) The al filter should be detached first. Press the lock and pull it downward.
 - (4) Replace with same type of light. 110-240V~50Hz, MAX.2W LED
- ILCOS D code for this lamp is: DBS-2/65-H-120/33.
 - Max wattage: 1X2 W
 - Voltage range: AC 110-240 V
 - Dimensions:





ENVIRONMENTAL PROTECTION:



This appliance is labelled in accordance with European Directive 2012/19/EU regarding electric and electronic appliances (WEEE). The WEEE contain both polluting substances (that can have a negative effect on the environment) and base elements (that can be reused). It is important that the WEEE undergo specific treatments to correctly remove and dispose of the pollutants and recover all the materials. Individuals can play an important role in ensuring that the WEEE do not become an environmental problem; It is essential to follow a few basic rules:

- the WEEE should not be treated as domestic waste;
- the WEEE should be taken to dedicated collection areas managed by the town council or a registered company.

In many countries, domestic collections may be available for large WEEEs. When you buy a new appliance, the old one can be returned to the vendor who must accept it free of charge as a one-off, as long as the appliance is of an equivalent type and has the same functions as the purchased appliance.

NOTE:

The following shows how to reduce total environmental impact (e.g. energy use) of the cooking process).

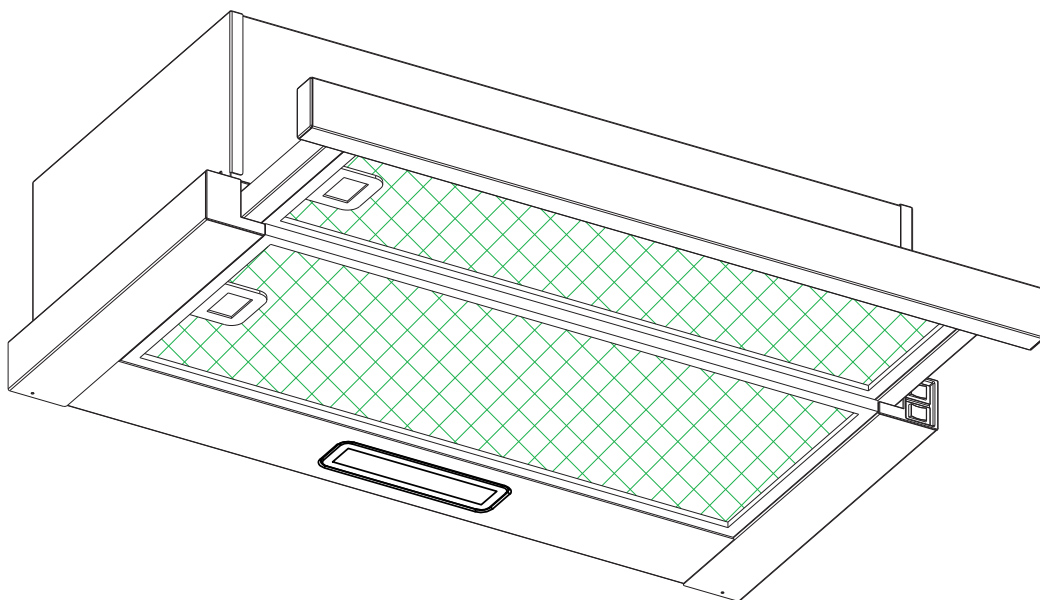
- (1) Install the cooker hood in a proper place where there is efficient ventilation.
- (2) Clean the cooker hood regularly so as not to block the airway.
- (3) Remember to switch off the cooker hood light after cooking.
- (4) Remember to switch off the cooker hood after cooking.

INFORMATION FOR DISMANTLING

Do not dismantle the appliance in a way which is not shown in the user manual. The appliance could not be dismantled by user. At the end of life, the appliance should not be disposed of with household waste. Check with you Local Authority or retainer for recycling advice.

Digestoř

Návod k obsluze



Obsah

1.....	Bezpečnostní pokyny
2.....	Instalace
3.....	Používání digestoře
4.....	Řešení problémů
5.....	Údržba a čištění
6.....	Ochrana životního prostředí

BEZPEČNOSTNÍ POKYNY

Tento návod vysvětluje správnou instalaci a používání digestoře; před použitím si ho pozorně přečtěte, i když výrobek dobře znáte. Návod by se měl uschovat na bezpečném místě pro budoucí použití.

Co nikdy nedopustit:

- Nepokoušejte se používat digestoř bez tukových filtrů nebo v případě, že jsou filtry nadměrně zanesené tukem!
- Neinstalujte digestoř nad sporák s vysoko umístěným grilem.
- Během používání nenechávejte pánve bez dozoru, protože přehřátý tuk nebo olej by mohl vzplanout.
- Nikdy nenechte pod digestoří otevřený plamen.



- Pokud je digestoř poškozená, nepoužívejte ji.
- Pod digestoří neflambujte.
- **POZOR:** Přístupné součásti mohou být při používání kuchyňských spotřebičů horké.
- Dodržujte minimální vzdálenost mezi plochou plotny, na kterou se pokládají nádoby na vaření, a nejnižší součástí digestoře. (Když je digestoř umístěna nad plynovým sporákem, tato vzdálenost musí být alespoň 65 cm.)
- Vzduch se nesmí odvádět do kouřovodu, který slouží k odvodu kouře ze spotřebičů spalujících plyn nebo jiná paliva.



Co je vždy nutné:

- **Důležité!** Při instalaci a údržbě, například výměně žárovky, vždy vypněte přívod síťového napájení.
- Digestoř se musí být instalovat podle pokynů k instalaci a je nutné dodržet všechny rozměry.
- Veškerou instalaci musí provádět kompetentní osoba nebo kvalifikovaný elektrikář.
- Pečlivě zlikvidujte obalový materiál. Mohl by ohrozit děti.
- Věnujte pozornost ostrým hranám uvnitř digestoře, zejména při instalaci a čištění.
- Jestliže je digestoř umístěna nad plynovým sporákem, minimální vzdálenost mezi plochou plotny, na kterou se pokládají nádoby na vaření, a nejnižší součástí digestoře, musí být:
Plynové sporáky: 75 cm
Elektrické sporáky: 65 cm
Sporáky na uhlí nebo topný olej: 75 cm
- Zajistěte, aby potrubní vedení nemělo ohyby ostřejší než 90 stupňů, protože tím by se snížila účinnost digestoře.
- **Varování:** Pokud nebudou šrouby nebo upevňovací prvky namontovány podle těchto pokynů, mohlo by dojít k úrazu elektrickým proudem.

Co je vždy nutné:

- Při vaření na plynovém sporáku vždy zakrývejte hrnce a pánve pokličkami.
- V režimu odsávání odsává digestoř vzduch z místnosti. Zajistěte dodržování náležitých opatření pro dostatečné větrání. Digestoř odsává z místnosti zápachy, ale ne páru.
- Digestoř je určena pouze k použití v domácnosti.



- Pokud se poškodí napájecí kabel, výměnu musí provést výrobce, jeho servisní zástupce nebo osoby s podobnou kvalifikací, aby se vyloučilo riziko.
- Tento spotřebič mohou používat děti starší osmi let a osoby s omezenými fyzickými, smyslovými nebo duševními schopnostmi nebo osoby nezkušené a neznalé za předpokladu, že mají zajištěný dohled nebo byly poučeny o bezpečném používání spotřebiče a chápou související rizika. Děti nesmějí hrát se spotřebičem. Děti nesmějí provádět čištění a uživatelskou údržbu bez dozoru.



- **Varování:** Než zpřístupníte svorky, musí být odpojeny všechny napájecí obvody.

Co je vždy nutné:

- **Pozor:** Spotřebič a jeho přístupné součásti se mohou při používání zahřívat. Dávejte pozor, abyste se nedotkli topných těles. Děti mladší osmi let by se neměly přibližovat, pokud nejsou pod stálým dozorem.
- Pokud je digestoř používána v místnosti, kde jsou další spotřebiče spalující plyn nebo jiná paliva, musí být zajištěno dostatečné větrání.
- Pokud není prováděno čištění podle pokynů, hrozí riziko požáru.
- Musí být dodržovány předpisy pro odvod vzduchu.
- Pravidelně čistěte spotřebič způsobem popsáním v kapitole ÚDRŽBA.
- Z bezpečnostních důvodů používejte pouze upevňovací nebo montážní šrouby stejné velikosti, jaká je uvedena v tomto návodu.
- Podrobnosti o způsobu a četnosti čištění najdete v části Údržba a čištění v tomto návodu k obsluze.
- Děti nesmějí provádět čištění a uživatelskou údržbu bez dozoru.
- Jestliže je digestoř v provozu společně se spotřebiči napájenými jinak než elektrickou energií, podtlak v místnosti nesmí překročit 4 Pa (4 x 10⁻⁵ bar).
- **VAROVÁNÍ:** Nebezpečí požáru: neskladujte předměty na varném povrchu.
- Nesmí se používat parní čistič.
- **NIKDY** se nepokoušejte hasit požár vodou, ale vypněte spotřebič a potom zakryjte plamen např. pokličkou nebo hasicí rouškou.

INSTALACE (ODVOD VZDUCHU VEN)

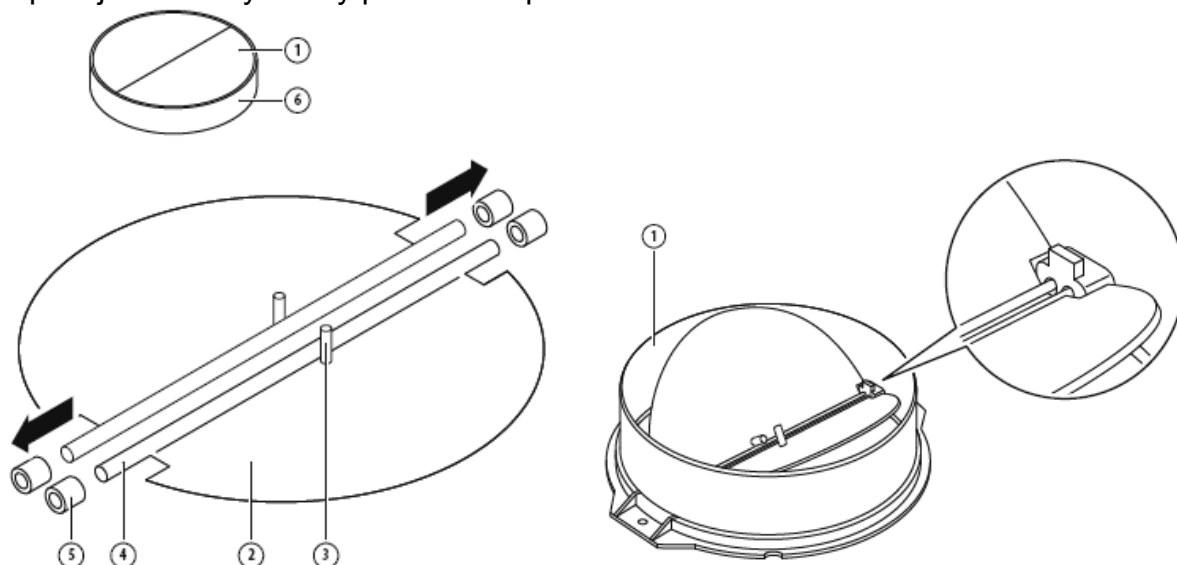
MONTÁŽ KLÍNOVÉ KLAPKY

**Volitelné příslušenství dodávané pouze s některými modely.*

Pokud digestoř nemá nainstalovanou klínovou klapku 1, měli byste namontovat obě poloviny do tělesa. Obrázky znázorňují pouze příklad způsobu montáže klínové klapky, výstup se může lišit v závislosti na modelu a konfiguraci.

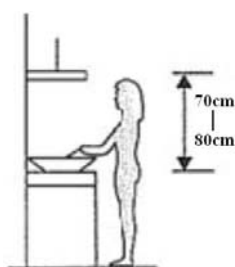
Při montáži klínové klapky byste měli postupovat takto:

- Namontujte obě poloviny 2 do tělesa 6.
- Čep 3 by měl směřovat nahoru.
- Osa 4 by měla být vložena do otvorů 5 v tělese.
- Opakujte všechny úkony pro druhou polovinu.

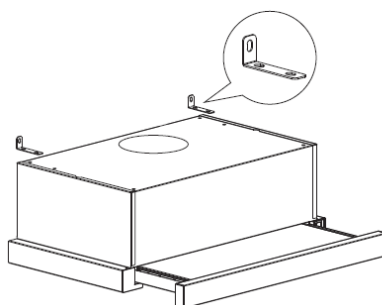


INSTALACE (montáž na stěnu)

1. Určete místa pro otvory pro připevnění digestoře.

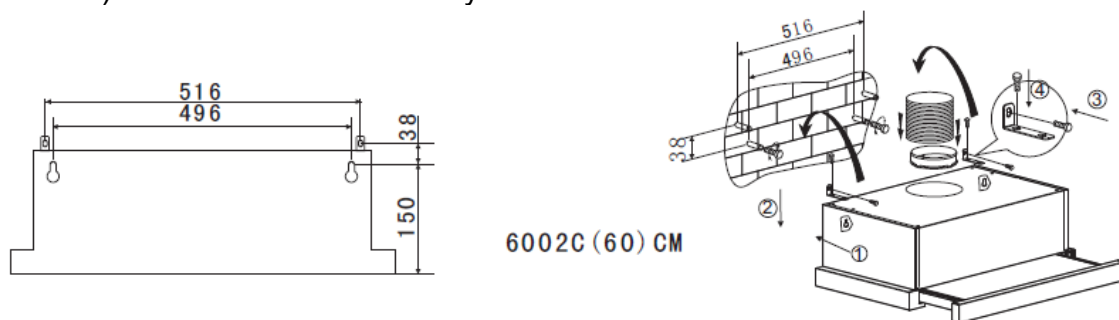


2. Dvěma šrouby (4 mm x 10 mm) připevněte držák ve tvaru L k horní straně digestoře.

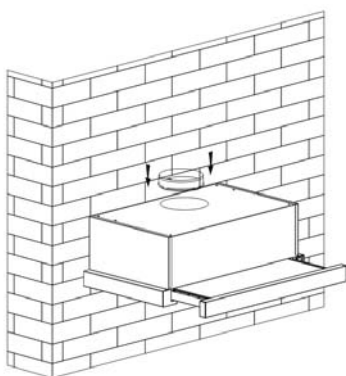


3. Digestoř se montuje na stěnu pomocí čtyř šroubů (4 mm x 30 mm) a hmoždinek. Pomocí dvou šroubů (4 mm x 30 mm) a hmoždinek namontujte zadní stranu

digestoře na stěnu. Potom připevněte digestoř ke stěně dvěma šrouby (4 mm x 30 mm) a hmoždinkami skrz malý držák ve tvaru L.

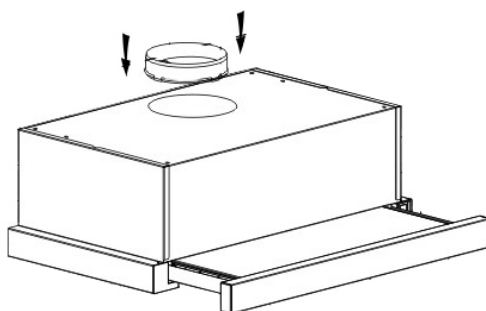


4. Nainstalujte na výstup vzduchu digestoře jednocestný ventil.

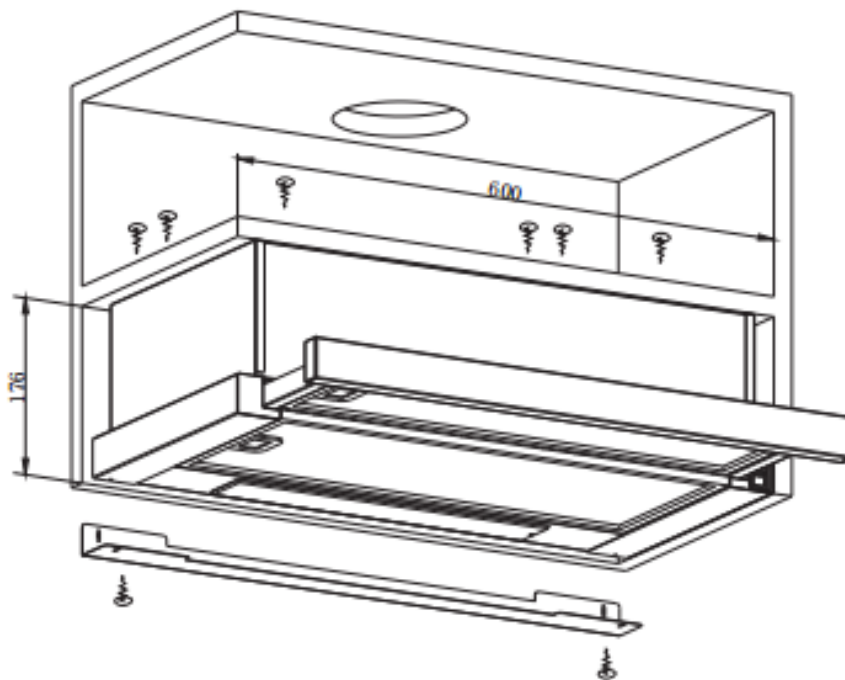
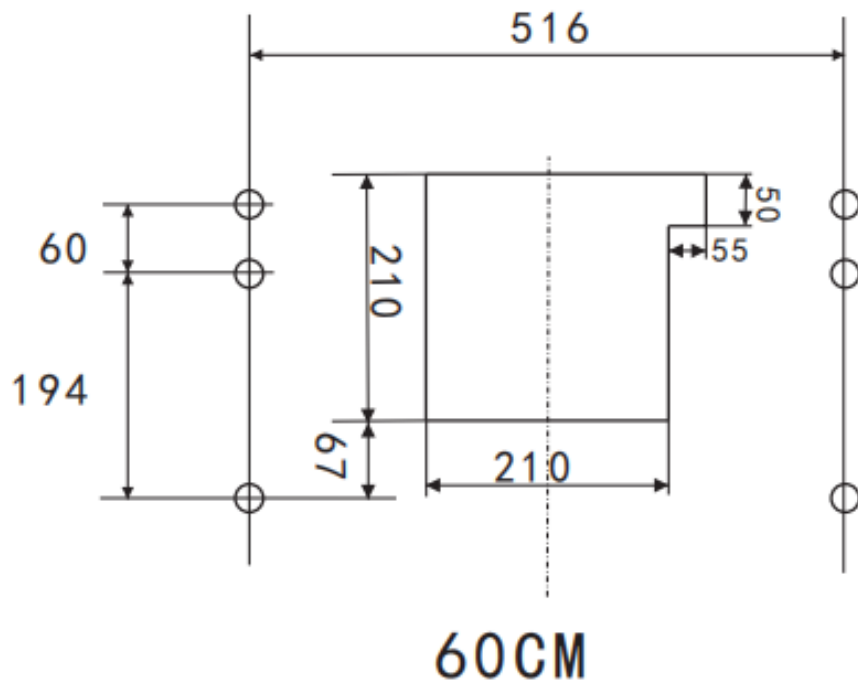


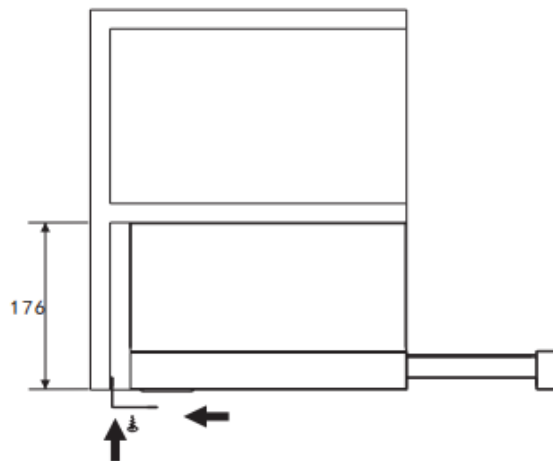
INSTALACE (montáž do skříně)

1. Nainstalujte na výstup vzduchu digestoře jednocestný ventil.




2. Pomocí šesti šroubů (4 × 35 mm) a plochých podložek připevněte digestoř ke skříni.



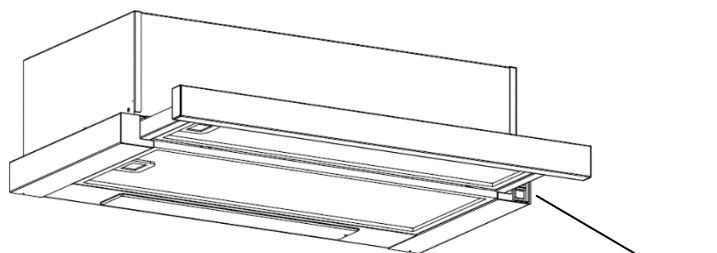


Pokud je mezi stěnou a digestoří mezera, můžete na spodní stranu digestoře dvěma šrouby (3 x 12 mm) namontovat držák ve tvaru L.
 Montáž držáku ve tvaru L je volitelná.
 Poznámka: Trubkový nástavec není součástí výrobku.

<p>VAROVÁNÍ:</p> 	<ul style="list-style-type: none"> ➤ Z bezpečnostních důvodů používejte pouze upevňovací nebo montážní šrouby stejné velikosti, jaká je uvedena v tomto návodu. ➤ Pokud nebudou šrouby nebo upevňovací prvky namontovány podle těchto pokynů, mohlo by dojít k úrazu elektrickým proudem.
--	---

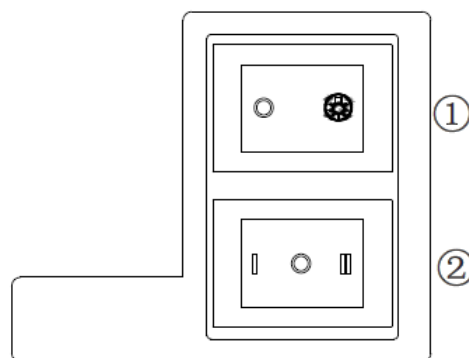
Používání digestoře

Kolébkový přepínač



přepínač

Kolébkový



1. Zasuňte zástrčku napájecího kabelu do zásuvky.
2. Přepněte přepínač ① do polohy x a žárovka se rozsvítí; přepněte přepínač ① do polohy „0 “ a žárovka zhasne.

3. Přepněte přepínač ② do polohy „I “ nebo „II “ a motor poběží „nízkou “ nebo „vysokou “ rychlostí; přepněte přepínač do polohy „0 “ a motor se vypne.

4. Vytažením předního panelu se zapne napájení. A naopak, zasunutím se napájení automaticky vypne.

ŘEŠENÍ PROBLÉMŮ

Závada	Možná příčina	Řešení
Světlo svítí, ale motor nefunguje	Přepínač ventilátoru je vypnutý	Zvolte jinou polohu přepínače ventilátoru.
	Přepínač ventilátoru je porouchaný	Kontaktujte servisní středisko.
	Porucha motoru	Kontaktujte servisní středisko.
Nesvítí světlo, motor nefunguje	Spálené domovní pojistky	Resetujte/vyměňte pojistky.
	Uvolněný nebo odpojený napájecí kabel	Znovu zapojte kabel do síťové zásuvky. Zapněte zásuvku.
Únik oleje	Jednocestný ventil a výstup nejsou řádně utěsněné	Vymontujte jednosměrný ventil a utěsněte.
	Únik z přípojky komína a krytu	Odpojte komín a utěsněte.
Světla nesvítí	Vadné/porouchané žárovky	Vyměňte žárovky podle těchto pokynů.
Nedostatečné sání	Vzdálenost mezi digestoří a sporákem je příliš velká	Umístěte digestoř do správné vzdálenosti.
Digestoř se naklání	Upevňovací šroub není dostatečně utažený	Utáhněte závěsný šroub, aby byla digestoř ve vodorovné poloze.

POZNÁMKA:



Veškeré opravy tohoto spotřebiče musí vyhovovat místním, státním a federálním zákonům. Pokud máte pochybnosti, před zahájením opravy kontaktujte servisní centrum. Před otevřením jednotky ji vždy odpojte od napájení.

ÚDRŽBA A ČIŠTĚNÍ

Pozor:

- Před prováděním údržby nebo čištění se musí digestoř odpojit od síťového napájení. Ujistěte se, že je digestoř vypnutá a zástrčka napájecího kabelu je vytažená ze zásuvky.



- Vnější povrchy jsou náchylné k poškrábání a oděru, proto postupujte podle pokynů pro čištění, abyste zajistili, že dosáhnete co nejlepšího výsledku bez poškození.

OBECNÉ INFORMACE

Čištění a údržba se musí provádět, když je spotřebič vychladlý, což platí zejména pro čištění. Zamezte tomu, aby na povrchu zůstaly zásadité nebo kyselé látky (citronová šťáva, ocet atd.).

NEREZOVÁ OCEL

Nerezovou ocel je nutné pravidelně čistit (např. každý týden), aby byla zajištěna její dlouhá životnost. Vysušte ji čistým suchým hadrem. Lze použít speciální prostředek na čištění nerezové oceli.

POZNÁMKA:

Otírejte povrch po směru struktury nerezové oceli, aby se neobjevily nevzhledné příčné šmouhy.

POVRCH OVLÁDACÍHO PANELU

Vykládaný ovládací panel lze čistit teplou mýdlovou vodou. Před čištěním se ujistěte, že hadr je čistý a důkladně vyždímaný. Po čištění odstraňte zbytky vlhkosti suchým měkkým hadrem.

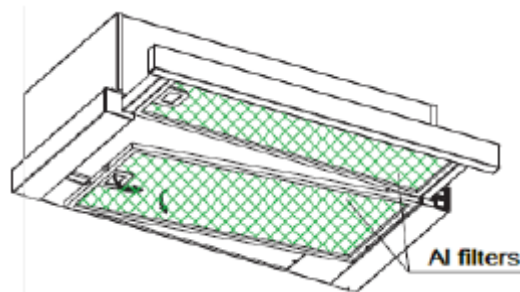
Důležité

Používejte neutrální čisticí prostředky a nepoužívejte agresivní chemikálie, silné čisticí prostředky pro domácnost, ani produkty obsahující brusné materiály, protože by mohly ovlivnit vzhled spotřebiče a případně odstranit potisk na ovládacím panelu; použití takových prostředků povede ke zneplatnění záruky poskytované výrobcem.

MŘÍŽKOVÉ TUKOVÉ FILTRY

Mřížkové filtry lze čistit ručně. Ponořte je na 3 minuty do vody s čisticím prostředkem rozpouštějícím tuky a potom je jemně vykartáčujte měkkým kartáčem. Netlačte příliš, aby se filtry nepoškodily. (Nechte je uschnout na vzduchu mimo přímé sluneční světlo.)

Filtry by se měly mýt odděleně od nádobí a příborů. Doporučuje se nepoužívat oplachovací prostředky.



INSTALACE MŘÍŽKOVÝCH TUKOVÝCH FILTRŮ

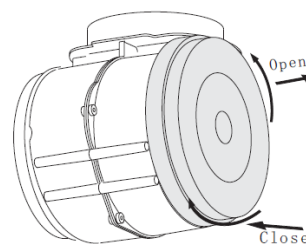
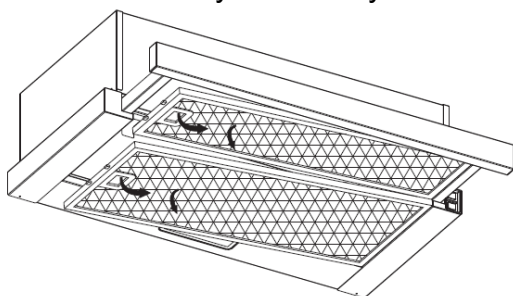
- Instalace filtrů se provádí ve čtyřech krocích.
 - Vložte filtr šikmo do drážek v zadní části digestoře.
 - Stiskněte tlačítko na držadle filtru.
 - Když filtr zapadne na své místo, uvolněte držadlo.

– Opakujte postup pro všechny filtry.

UHLÍKOVÝ FILTR – nedodává se s výrobkem

Filtr s aktivním uhlím lze používat k zachytávání zápachu. Normálně by se měl filtr s aktivním uhlím měnit po třech nebo šesti měsících v závislosti na způsobu vaření. Níže je popsán postup instalace filtru s aktivním uhlím.


- (1) Vysuňte přední část digestoře.
- (2) Nejprve se musí odstranit tukový filtr. Zatlačte pojistku a zatáhněte ji dolů.
- (3) Vyjměte uhlíkový filtr tak, že ho otočíte doleva.
- (4) Nahradte ho novým uhlíkovým filtrem.



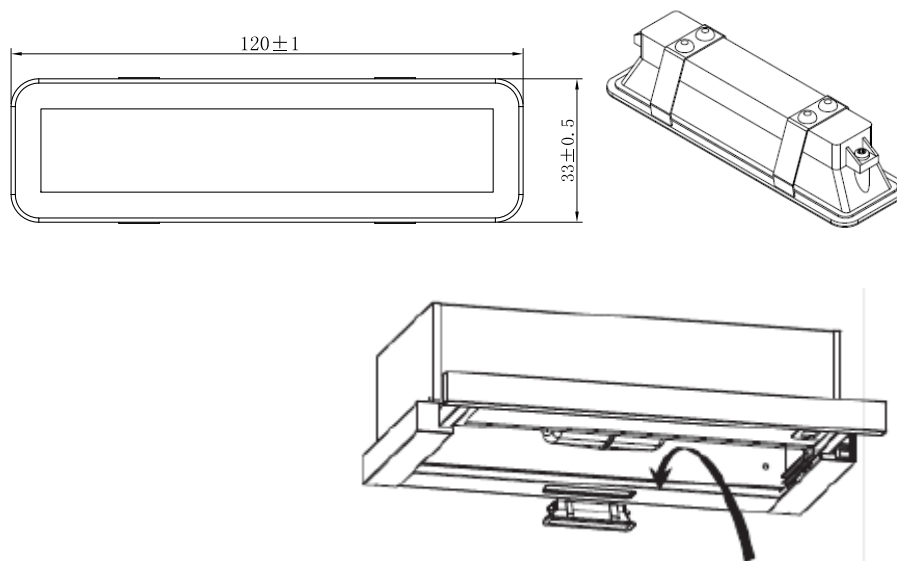
POZNÁMKA:

- Ujistěte se, že je filtr správně zajištěn. Jinak by se uvolnil, což by bylo nebezpečné.
- Po nasazení filtru s aktivním uhlím se sníží odsávací výkon.

VÝMĚNA ŽÁROVKY

<p>Důležité:</p> 	<ul style="list-style-type: none">✧ Výměnu žárovky musí provádět výrobce, jeho servisní zástupce nebo podobně kvalifikovaná osoba.✧ Před jakýmkoli zásahem do spotřebiče vždy vypněte elektrické napájení. Než se žárovky dotknete rukama, ujistěte se, že úplně vychladla.✧ Při manipulaci držte žárovku hadrem nebo v rukavicích, aby se nedostala do kontaktu s potem, protože tím by se zkrátila její životnost.
--	--

- (1) Vypněte spotřebič a odpojte ho od zásuvky.
- (2) Vysuňte přední část digestoře.
- (3) Nejprve se musí odstranit tukový filtr. Zatlačte pojistku a zatáhněte ji dolů.
- (4) Vyměňte žárovku za novou stejného typu: 110-240 V~, 50 Hz, max. 2 W, LED.
 - **Tato žárovka má kód ILCOS D: DBS-2/65-H-120/33.**
 - Max. příkon: 1X2 W
 - Napětí: 110-240 V AC
 - Rozměry:



OCHRANA ŽIVOTNÍHO PROSTŘEDÍ



Tento spotřebič je označen v souladu s Evropskou směrnicí 2012/19/EU o odpadních elektrických a elektronických zařízeních z roku 2013, která se týká elektrických a elektronických zařízení (OEEZ). OEEZ obsahuje znečišťující látky (které mohou mít negativní dopad na životní prostředí) i základní prvky (které lze znovu použít). Je důležité, aby OEEZ prošel specifickými úpravami, a znečišťující látky tak byly správně odstraněny a zlikvidovány, a aby byly obnoveny všechny materiály. Jednotlivci mohou hrát důležitou roli při zajišťování toho, aby se OEEZ nestal zátěží pro životní prostředí. Je nezbytné dodržovat několik základních pravidel:

- OEEZ se nesmí likvidovat jako domovní odpad;
- OEEZ by měl být odvezen do vyhrazených sběrných oblastí spravovaných městskou radou nebo registrovanou společností.

V případě objemného OEEZ mohou být v mnoha zemích k dispozici sběry z domácností. Při zakoupení nového spotřebiče lze vrátit starý spotřebič prodejci, který je povinen jej jednorázově bezplatně přijmout, pokud je spotřebič obdobného typu a má stejné funkce jako zakoupený spotřebič.

POZNÁMKA:

Níže je uvedeno, jak je možné omezit celkový dopad na životní prostředí (např. úsporou energie při vaření).

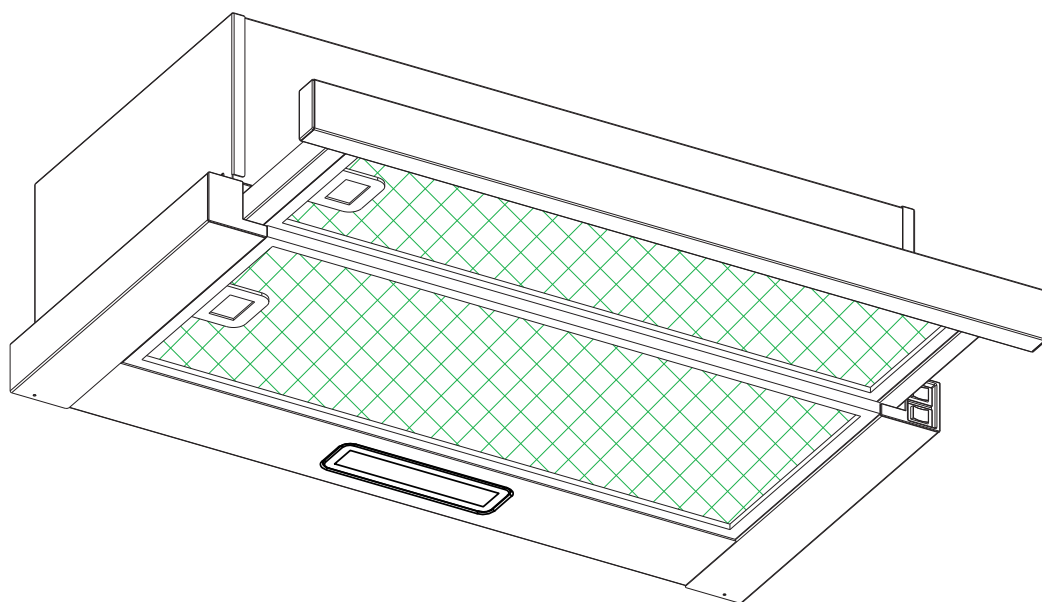
- (1) Namontujte digestoř do správného místa s dobrým větráním.
- (2) Pravidelně digestoř čistěte, aby nebylo blokováno proudění vzduchu.
- (3) Nezapomeňte po vaření vypnout světlo digestoře.
- (4) Nezapomeňte po vaření vypnout digestoř.

INFORMACE PRO ROZEBRÁNÍ

Nerozebírejte spotřebič jiným způsobem, než je uvedeno v návodu. Digestoř nesmí rozebírat uživatel. Na konci životnosti se spotřebič nesmí vyhazovat společně s komunálním odpadem. Doporučení k recyklaci získáte od místního úřadu nebo prodejce.

Hotte aspirante

Manuel d' instruction



Sommaire

- 1.....Consignes de sécurité
- 2.....Installation
- 3.....Commencez à utiliser votre hotte aspirante
- 4.....Dépannage
- 5.....Entretien et nettoyage
- 6.....Protection de l' environnement

CONSIGNES DE SÉCURITÉ

Ce manuel explique comment installer et utiliser correctement votre hotte aspirante. Veuillez le lire attentivement avant toute utilisation même si vous connaissez bien le produit. Le manuel doit être conservé en lieu sûr pour pouvoir le consulter en cas de besoin.

À ne jamais faire :

- Ne tentez pas d'utiliser la hotte aspirante sans les filtres à graisse ou si les filtres sont excessivement encrassés !
- Ne l'installez jamais au-dessus d'une cuisinière avec un gril placé en hauteur.
- Ne laissez pas les poêles à frire sans surveillance pendant leur utilisation car les huiles ou les graisses surchauffées pourraient prendre feu.
- Ne laissez jamais des flammes nues sous la hotte aspirante.



- Si la hotte aspirante est endommagée, n'essayez pas de l'utiliser.
- Ne flambez rien sous la hotte aspirante.
- ATTENTION : Les parties accessibles peuvent devenir chaudes lors de l'utilisation avec des appareils de cuisson.
- La distance minimale entre la surface de support pour les récipients de cuisson sur la plaque de cuisson et la partie la plus basse de la hotte aspirante. (Quand la hotte aspirante est située au-dessus d'une cuisinière à gaz, cette distance doit être d'au moins 65 cm)
- L'air ne doit pas être évacué dans un conduit utilisé pour les fumées provenant d'appareils de combustion à gaz ou fonctionnant avec d'autres carburants.



À toujours faire :

- Important ! Coupez toujours l'alimentation électrique durant l'installation et l'entretien, comme par exemple quand vous changez une ampoule.
- La hotte aspirante doit être installée conformément aux instructions d'installation et toutes les mesures doivent être respectées.
- Tout le travail d'installation doit être effectué par une personne compétente ou un électricien qualifié.
- Veuillez faire attention quand vous jetez l'emballage. Les enfants pourraient se blesser avec.
- Faites attention aux bords coupants à l'intérieur de la hotte aspirante durant l'installation et le nettoyage.
- Quand la hotte aspirante est située au-dessus d'une cuisinière, la distance minimale entre la surface de support pour les récipients de cuisson sur la plaque de cuisson et la partie la plus basse de la hotte aspirante doit être la suivante :
Cuisinières à gaz : 75 cm
Cuisinières électriques : 65 cm
Cuisinières à charbon ou à mazout : 75 cm
- Vérifiez que les coudes des conduits ne sont pas inférieurs à 90 degrés car cela réduirait l'efficacité de la hotte aspirante.
- Avertissement : Si les vis ou le dispositif de fixation ne sont pas installés conformément à ces instructions, cela peut provoquer des dangers électriques

À toujours faire :

- Placez toujours le couvercle sur les casseroles et les poêles quand vous cuisinez sur une cuisinière à gaz.
- En mode extraction, l'air de la pièce est éliminé par la hotte aspirante. Vérifiez que des mesures de ventilation correctes sont adoptées. La hotte aspirante élimine les odeurs de la pièce mais pas la vapeur.
- La hotte aspirante est réservée à un usage domestique.



- Si le cordon d'alimentation est endommagé, faites-le remplacer par le fabricant, le service après-vente ou un électricien qualifié pour éviter tout risque d'accident.
- Cet appareil peut être utilisé par des enfants âgés de 8 ans et plus et par des personnes à capacités physiques, sensorielles ou intellectuelles réduites ou sans expérience et connaissances, s'ils sont sous une surveillance appropriée ou bien s'ils ont été informés quant à l'utilisation de l'appareil de manière sûre, et s'ils comprennent les risques impliqués. Les enfants ne doivent pas jouer avec l'appareil. Le nettoyage et l'entretien ne doivent pas être effectués par des enfants sans surveillance.



- **Avertissement :** Avant d'accéder aux bornes, il faut débrancher tous les circuits d'alimentation.

À toujours faire :

- **Attention :** L'appareil et ses parties accessibles peuvent devenir chauds durant le fonctionnement. Évitez de toucher les éléments qui chauffent. Les enfants âgés de moins de 8 ans doivent rester à distance à moins d'être surveillés en permanence.
- Il faut disposer d'une ventilation appropriée dans la pièce où la hotte aspirante est utilisée en même temps que d'autres appareils brûlant du gaz ou d'autres carburants.
- Il existe un risque d'incendie si le nettoyage n'est pas effectué conformément aux instructions.
- Les réglementations relatives à l'évacuation de l'air doivent être respectées.
- Nettoyez régulièrement votre appareil en suivant la méthode fournie dans le chapitre ENTRETIEN.
- Pour des raisons de sécurité, veuillez n'utiliser que des vis de fixation ou de montage de la même taille que celle recommandée dans ce manuel d'instruction.
- En ce qui concerne les détails sur la méthode et la fréquence de nettoyage, veuillez vous reporter au paragraphe relatif à l'entretien et au nettoyage dans le manuel d'instruction.
- Le nettoyage et l'entretien ne doivent pas être effectués par des enfants sans surveillance.
- Quand la hotte aspirante et les appareils alimentés par autre chose que de l'électricité fonctionnent simultanément, la pression négative à l'intérieur de la pièce ne doit pas dépasser 4 Pa (4×10^{-5} bar).
- **AVERTISSEMENT :** Risque d'incendie : ne rangez aucun objet sur les surfaces de cuisson.
- Il ne faut pas utiliser de nettoyeur vapeur.
- Ne tentez JAMAIS d'éteindre un incendie avec de l'eau, mais éteignez l'appareil puis couvrez la flamme par exemple avec un couvercle ou une couverture pare-flammes.

INSTALLATION (ÉVENT À L' EXTÉRIEUR)

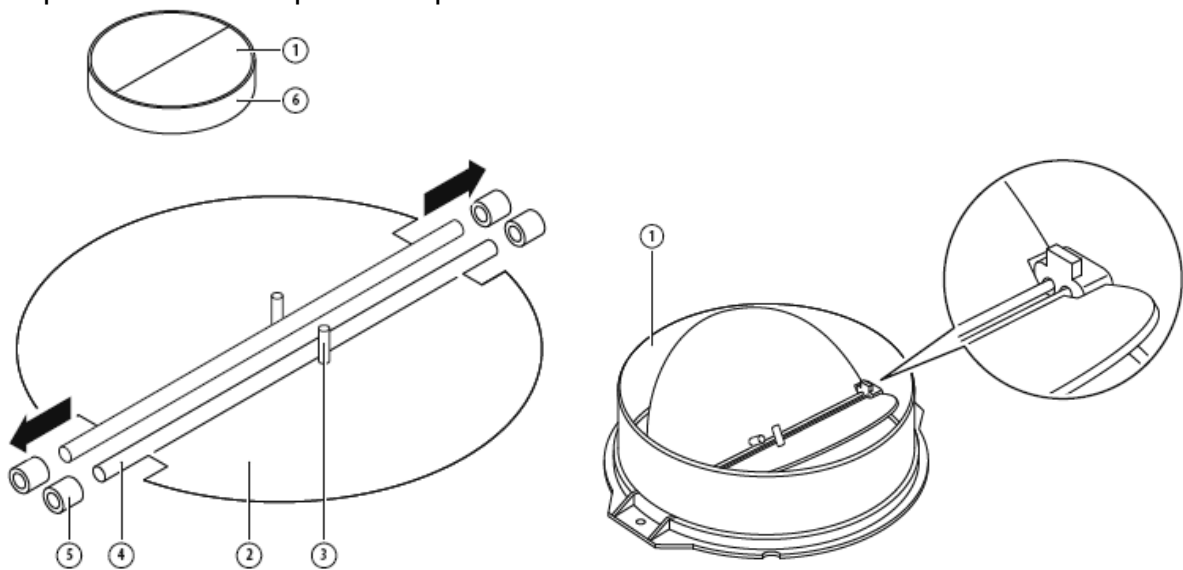
MONTAGE DU RABAT EN V

**Accessoires optionnel fournis uniquement sur certains modèles.*

Si la hotte aspirante n'a pas de rabat en V 1 monté, vous devez monter les moitiés sur son corps. Les images ne montrent qu'un exemple de la façon de monter le rabat en V, la sortie peut varier en fonction des modèles et de la configuration.

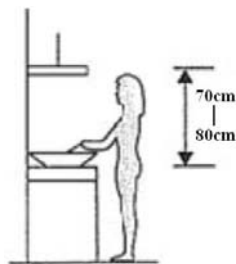
Pour monter le rabat en V 1, vous devez :

- Monter deux moitiés 2 dans le corps 6 ;
- Une cheville 3 doit être dirigée vers le haut ;
- L'axe 4 doit être introduit dans les trous 5 sur le corps ;
- Répétez toutes les opérations pour la seconde moitié.

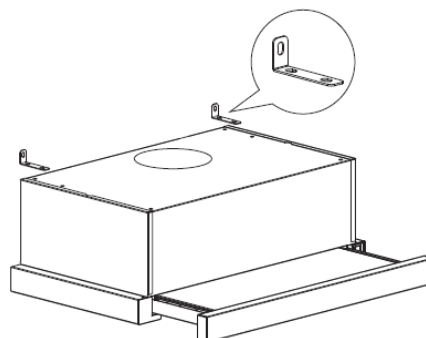


INSTALLATION (murale)

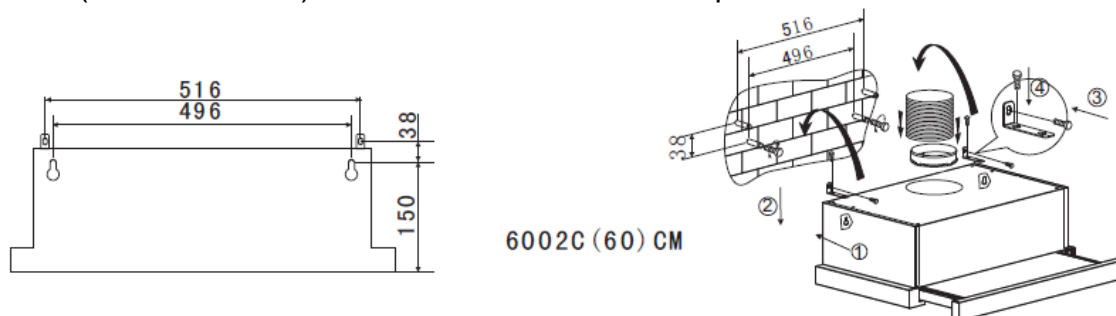
1. Choisissez l'emplacement des trous pour fixer la hotte aspirante.



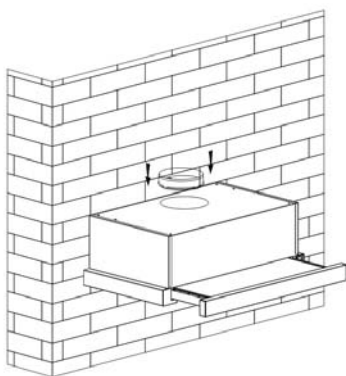
2. Installez l'étrier en L sur le dessus de la hotte avec deux vis (4 mm x 10 mm).



- La hotte aspirante est fixée au mur par 4 vis (4 mm x 30 mm) et des chevilles. Fixez la hotte aspirante sur le mur au niveau de l'arrière de la hotte aspirante avec 2 vis (4 mm x 30 mm) et des chevilles. Puis fixez la hotte aspirante sur le mur avec 2 vis (4 mm x 30 mm) et des chevilles à travers le petit étrier en L.

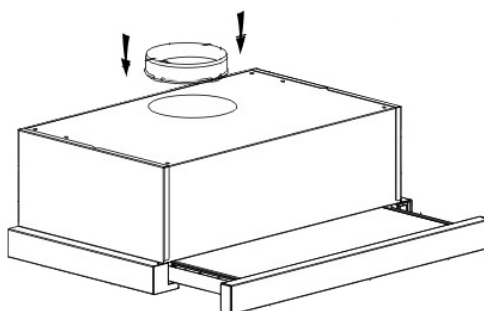


- Fixez le clapet anti-refoulement sur la sortie d'air de la hotte aspirante.

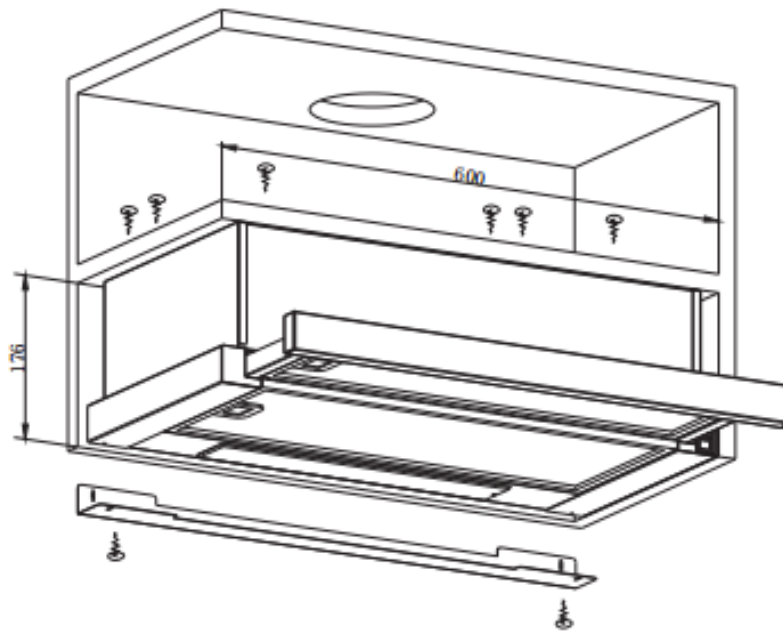
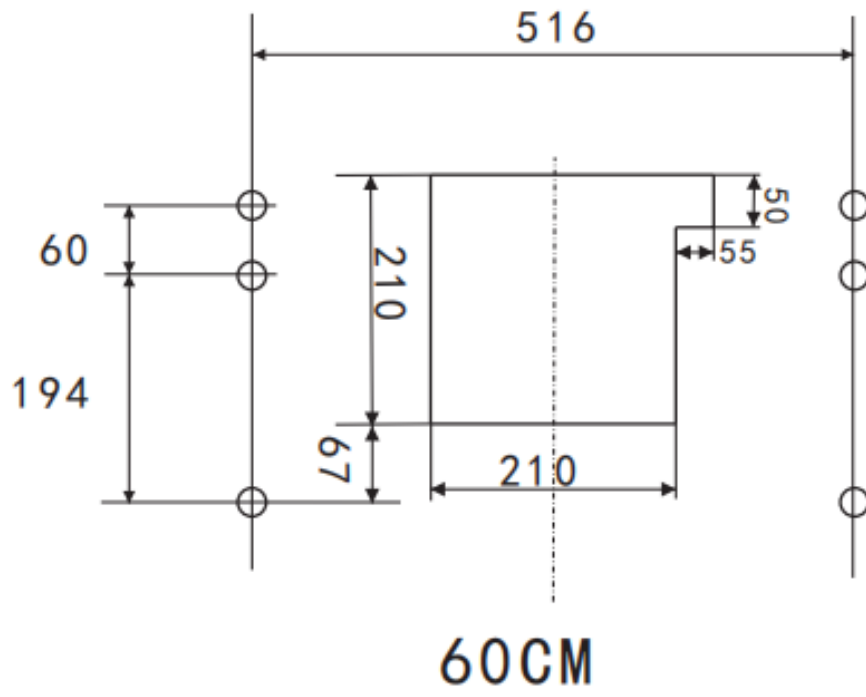


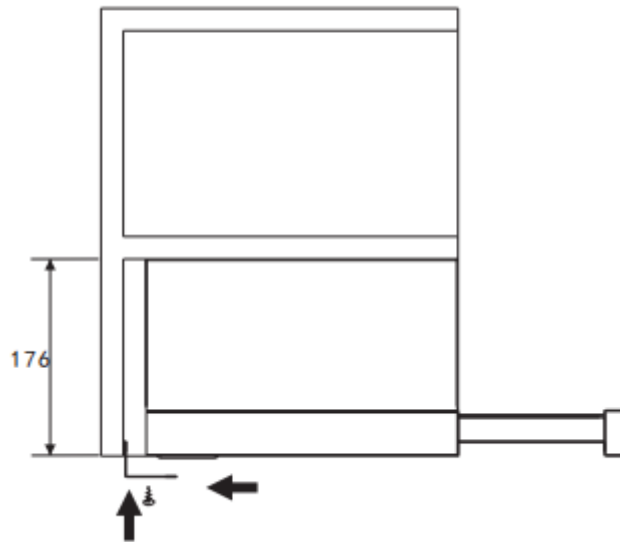
INSTALLATION (sur un meuble)

- Fixez le clapet anti-refoulement sur la sortie d'air de la hotte aspirante.



- Montez la hotte aspirante sur le meuble avec les 6 vis (4x35 mm) et les rondelles plates.





S'il y a un espace vide entre le mur et la hotte, vous pouvez installer l'étrier en L sur le bas de la hotte avec deux vis (3 x 12 mm).
L'installation de l'étrier en L est facultative.
Remarque : la gaine extensible n'est pas fournie avec le produit.

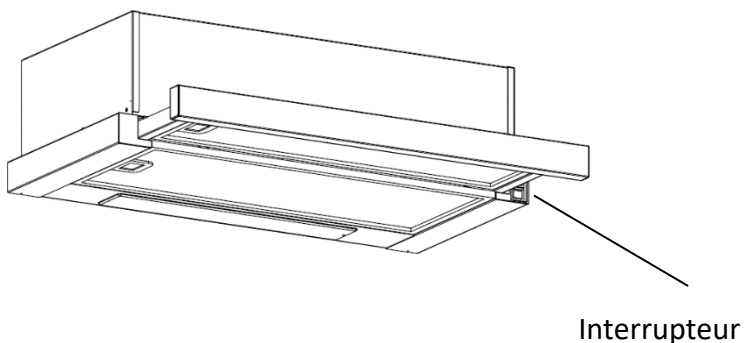
AVERTISSEMENT :



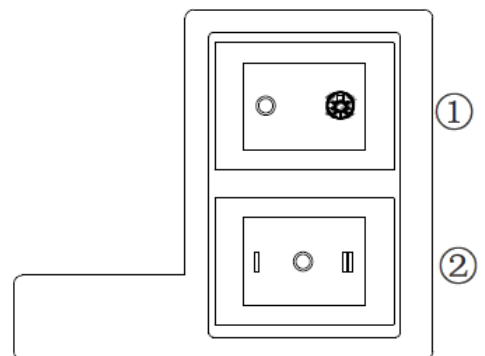
- Pour des raisons de sécurité, veuillez n'utiliser que des vis de fixation ou de montage de la même taille que celle recommandée dans ce manuel d'instruction.
- Si les vis ou le dispositif de fixation ne sont pas installés conformément à ces instructions, cela peut provoquer des dangers électriques.

Commencez à utiliser votre hotte aspirante

Interrupteur basculant



basculant



1. Branchez la fiche dans la prise.

2. Appuyez l'interrupteur ① sur \bullet , la lampe s'allumera ; appuyez l'interrupteur ② sur "0", la lampe s'éteindra.

3. Appuyez l' interrupteur ② sur "I, II" , le moteur s' allumera sur les deux vitesses "basse, élevée" , appuyez-le sur "0" , le moteur s' éteindra.
4. Le courant sera connecté quand le panneau frontal sera débranché. Inversement, le courant sera automatiquement déconnecté.

DÉPANNAGE

Problème	Cause possible	Solution
La lumière est allumée mais le moteur ne fonctionne pas	Le ventilateur est éteint	Sélectionnez une position du commutateur du ventilateur.
	Panne du commutateur du ventilateur	Contactez le centre d'assistance.
	Panne du moteur	Contactez le centre d'assistance.
La lumière ne fonctionne pas, le moteur ne fonctionne pas	Les fusibles de la maison ont sauté	Remettez/Remplacez les fusibles.
	Cordon d'alimentation lâche ou débranché	Rebranchez le cordon à la prise de courant. Mettez sous tension la prise de courant.
Fuite d'huile	Le clapet anti-refoulement et la sortie ne sont pas bien étanches	Ôtez le clapet anti-refoulement et rendez-le étanche avec du mastic.
	Fuite au niveau du raccordement de la cheminée et du couvercle	Ôtez la cheminée et rendez-la étanche.
Les lumières ne fonctionnent pas	Ampoules cassées/défectueuses	Changez les ampoules selon ces instructions.
Aspiration insuffisante	La distance entre la hotte aspirante et la plaque de cuisson au gaz est trop importante	Remontez la hotte aspirante à la bonne distance.
La hotte aspirante est inclinée	La vis de fixation n'est pas suffisamment serrée	Serrez la vis de suspension et placez-la à l'horizontale.

REMARQUE :



Toute réparation électrique sur cet appareil doit être conforme aux lois locales et nationales. Veuillez contacter le centre d'assistance si vous avez des doutes avant d'effectuer toute réparation. Débranchez toujours l'unité de la source d'alimentation quand vous ouvrez l'unité.

ENTRETIEN ET NETTOYAGE

Attention :

- Avant d'effectuer l'entretien ou le nettoyage, vous devez débrancher la hotte aspirante de l'alimentation. Vérifiez que la



hotte aspirante est éteinte au niveau de la prise murale et que la fiche est débranchée.

- Les surfaces extérieures sont susceptibles d'être rayées et de subir des abrasions, veuillez donc respecter les instructions de nettoyage pour garantir le meilleur résultat possible sans dégât.

GÉNÉRALITÉS

Le nettoyage et l'entretien doivent être effectués quand l'appareil est froid, en particulier pour le nettoyage. Évitez de laisser des substances alcalines ou acides (jus de citron, vinaigre, etc.) sur les surfaces.

ACIER INOXYDABLE

Il faut nettoyer régulièrement (par ex. une fois par semaine) l'acier inoxydable pour garantir une longue durée de vie. Essuyez-le avec un chiffon doux et sec. Un liquide de nettoyage spécialement conçu pour l'acier inoxydable peut être utilisé.

REMARQUE :

Veillez à essuyer l'appareil le long du grain de l'acier inoxydable pour éviter l'apparition de rayures croisées.

SURFACE DU PANNEAU DE COMMANDE

Le panneau de commande peut être nettoyé avec de l'eau savonneuse chaude. Vérifiez que le chiffon est propre et bien essoré avant d'effectuer le nettoyage. Utilisez un chiffon doux et sec pour éliminer l'excès d'humidité restant après le nettoyage.

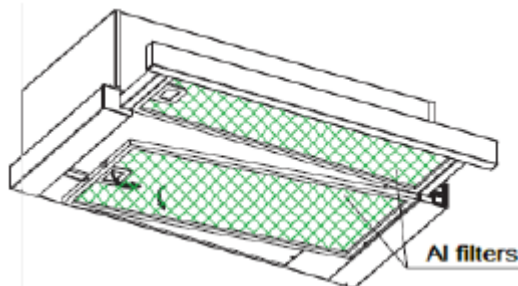
Important

Utilisez des détergents neutres et évitez les produits chimiques agressifs, les détergents ménagers puissants ou les produits contenant des abrasifs, car cela affectera l'aspect de l'appareil et pourrait éliminer les dessins imprimés sur le panneau de commande et rendre la garantie caduque.

FILTRES À TAMIS À GRAISSE

Les filtres à tamis peuvent être nettoyés à la main. Plongez-les pendant près de 3 minutes dans de l'eau avec un détergent pour dissoudre la graisse, puis brossez-les délicatement avec une brosse douce. N'exercez pas une pression trop importante pour éviter de les endommager. (Laissez-les sécher naturellement sans les placer en plein soleil)

Les filtres doivent être lavés séparément des couverts et des ustensiles de cuisine. Il est conseillé de ne pas utiliser un agent de rinçage.



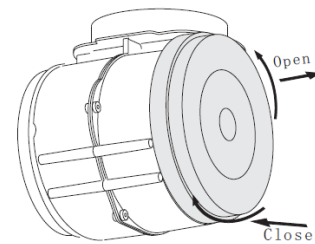
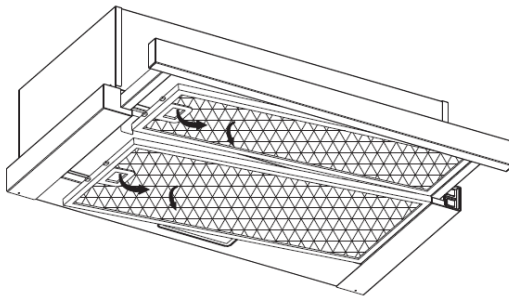
INSTALLATION DES FILTRES À TAMIS À GRAISSE

- Pour installer les filtres, suivez ces quatre étapes :
 - Inclinez le filtre pour l'introduire dans les fentes à l'arrière de la hotte ;
 - Appuyez sur le bouton situé sur la poignée du filtre ;
 - Relâchez la poignée une fois que le filtre est mis en place ;
 - Répétez cette opération pour installer tous les filtres.

FILTRE À CHARBON - non fourni

Le filtre à charbon actif peut être utilisé pour capturer les odeurs. Il faut habituellement remplacer le filtre à charbon actif tous les trois ou six mois en fonction de vos habitudes de cuisine. La procédure d'installation du filtre à charbon actif est indiquée ci-dessous.


- (1) Faites glisser la partie avant de la hotte aspirante.
- (2) Il faut d'abord détacher le filtre en aluminium. Appuyez sur le verrou et tirez-le vers le bas.
- (3) Ôtez le filtre à charbon en faisant tourner le filtre à charbon dans le sens contraire des aiguilles d'une montre.
- (4) Placez le filtre à charbon neuf.



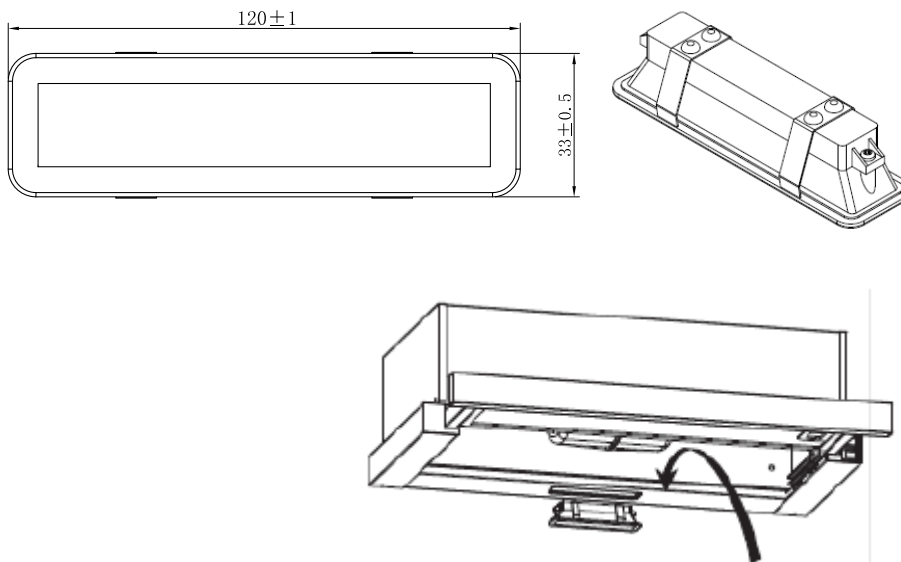
REMARQUE :

- Assurez-vous que le filtre est bien verrouillé. Sinon, il pourrait se détacher et devenir dangereux.
- Quand le filtre à charbon actif est fixé, la puissance d'aspiration diminue.

REMPACEMENT DE L'AMPOULE

<p>Important :</p> 	<ul style="list-style-type: none">✧ L'ampoule doit être remplacée par le fabricant, le service après-vente ou d'autres personnes qualifiées.✧ Coupez toujours le courant avant d'effectuer toute opération sur l'appareil. Quand vous manipulez l'ampoule, assurez-vous qu'elle ait entièrement refroidi avant tout contact direct avec les mains.✧ Quand vous manipulez les ampoules, faites-le avec un chiffon ou des gants pour éviter tout contact entre de la transpiration et l'ampoule car cela peut réduire la durée de vie de l'ampoule.
--	---

- (1) Éteignez l'appareil et débranchez-le.
- (2) Faites glisser la partie avant de la hotte aspirante.
- (3) Il faut d'abord détacher le filtre en aluminium. Appuyez sur le verrou et tirez-le vers le bas.
- (4) Remplacez par le même type d'ampoule : LED 110-240 V~50 Hz, MAXI 2 W
 - Le code ILCOS D pour cette lampe est le suivant : DBS-2/65-H-120/33.
 - Puissance maxi : 1X2 W
 - Plage de tension : CA 110-240 V
 - Dimensions :



PROTECTION DE L'ENVIRONNEMENT



Cet appareil est conforme à la directive Européenne 2012/19/UE relative aux règlements 2013 sur les Déchets d'équipements électriques et électroniques (DEEE) (Waste Electrical and Electronic Equipment - WEEE). La catégorie DEEE recouvre à la fois les substances polluantes (pouvant avoir des retombées négatives sur l'environnement) et les composants de base (pouvant être réutilisés). Il est important que les DEEE subissent des traitements spécifiques pour éliminer et jeter correctement les polluants et récupérer tous les matériaux. Chaque individu peut jouer un rôle important en veillant à ce que les produits DEEE ne deviennent pas un problème pour l'environnement. Pour cela, il est essentiel de suivre quelques règles de base :

- les DEEE ne doivent pas être traités comme des déchets ménagers ;
- les DEEE doivent être amenés à des zones de collecte spécifiques gérées par le conseil municipal ou une société dûment enregistrée.

Dans de nombreux pays, des décharges domestiques peuvent être disponibles pour de grands DEEE. Lorsque vous achetez un nouvel appareil, l'ancien peut être retourné au détaillant qui est en devoir de le récupérer sans frais, à titre exceptionnel, tant que l'équipement est de type équivalent et a les mêmes fonctions que l'équipement fourni.



REMARQUE :

Les indications suivantes montrent comment réduire l'impact total sur l'environnement (par ex. utilisation de l'énergie) du processus de cuisson.

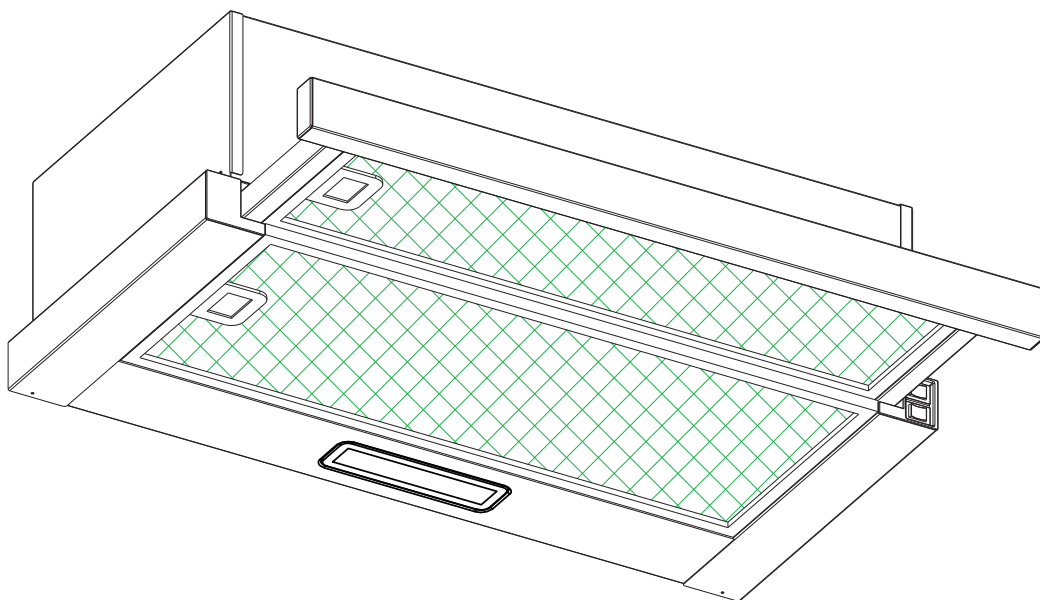
- (1) Installez la hotte aspirante à un endroit approprié disposant d'une ventilation efficace.
- (2) Nettoyez la hotte aspirante régulièrement de manière à ne pas obstruer le conduit d'air.
- (3) N'oubliez pas d'éteindre la lumière de la hotte aspirante après avoir cuisiné.
- (4) N'oubliez pas d'éteindre la hotte aspirante après avoir cuisiné.

INFORMATIONS POUR LE DÉMONTAGE

Ne démontez pas l'appareil autrement que ce qui est indiqué dans le manuel d'utilisation. L'appareil ne doit pas être démonté par l'utilisateur. À la fin de sa durée de vie, l'appareil ne doit pas être jeté avec les ordures ménagères. Adressez-vous aux autorités locales ou au revendeur pour connaître la méthode de recyclage.

Okap kuchenny

Instrukcja obsługi



Spis treści

- 1.....Instrukcja bezpieczeństwa
- 2.....Instalacja
- 3.....Zacznij korzystać z okapu kuchennego
- 4.....Usuwanie usterek
- 5.....Konserwacja i czyszczenie
- 6.....Ochrona środowiska

INSTRUKCJA BEZPIECZEŃSTWA

Niniejsza instrukcja objaśnia prawidłową instalację i użytkowanie okapu kuchennego; przeczytaj ją uważnie przed użyciem, nawet jeśli znasz produkt. Instrukcję należy przechowywać w bezpiecznym miejscu, aby móc z niej skorzystać w przyszłości.

Nigdy nie należy robić:

- Nie próbuj używać okapu kuchennego bez filtrów przeciw tłuszczowym lub gdy filtry są nadmiernie zatłuszczone!
- Nie instaluj nad kuchenką z grillem na wysokim poziomie.
- Nie pozostawiaj patelni bez nadzoru podczas smażenia, ponieważ przegrzane tłuszcze czy oleje mogą się zapalić.
- Nigdy nie pozostawiaj otwartego ognia pod okapem kuchennym.



- Jeśli okap kuchenny jest uszkodzony, nie należy go używać.
- Nie flambiruj pod okapem kuchennym.
- **UWAGA:** Dostępne części mogą się nagrzewać podczas używania z urządzeniami do gotowania.
- Minimalna odległość pomiędzy powierzchnią nośną na naczynia kuchenne na płycie grzewczej a najniższą częścią okapu kuchennego. (Gdy okap kuchenny znajduje się nad kuchenką gazową, odległość ta musi wynosić co najmniej 65 cm)
- Nie wolno odprowadzać powietrza do przewodu kominowego wykorzystywanego do odprowadzania spalin z urządzeń



dzeń spalających gazy lub inne paliwa.

Zawsze należy robić:

- Ważne! Zawsze odłączaj zasilanie elektryczne od sieci podczas instalacji i konserwacji, jak np. wymiany żarówki.
- Okap kuchenny musi być zainstalowany zgodnie z instrukcją instalacji, przestrzegając przy tym wszystkich wymiarów.
- Wszelkie prace instalacyjne muszą być wykonane przez kompetentną osobę lub wykwalifikowanego elektryka.
- Proszę ostrożnie wyrzucić opakowanie. Stanowi ono zagrożenie dla dzieci.
- Zwróć uwagę na ostre krawędzie wewnątrz okapu kuchennego, szczególnie podczas instalacji i czyszczenia.
- Gdy okap kuchenny znajduje się nad kuchenką gazową, minimalna odległość pomiędzy powierzchnią nośną na naczynia kuchenne na płycie grzewczej a najniższą częścią okapu kuchennego musi wynosić:
Kuchenki gazowe: 75 cm
Kuchenki elektryczne: 65 cm
Kuchenki na węgiel lub olej: 75 cm
- Upewnij się, że kanały wentylacyjne nie są zgięte pod kątem ostrzejszym niż 90 stopni, ponieważ zmniejszy to wydajność okapu kuchennego.

- **Ostrzeżenie:** Niezamontowanie wkrętów lub urządzenia mocującego zgodnie z niniejszą instrukcją może spowodować zagrożenie elektryczne

Zawsze należy robić:

- Zawsze kładź pokrywki na garnki i patelnie podczas gotowania na kuchence gazowej.
- W trybie odprowadzania powietrze w pomieszczeniu jest usuwane przez okap kuchenny. Upewnij się, że została zapewniona odpowiednia wentylacja. Okap kuchenny usuwa z pomieszczenia zapachy, ale nie opary.
- Okap kuchenny jest przeznaczony wyłącznie do użytku domowego.



- Jeśli kabel zasilający ulegnie uszkodzeniu, należy zlecić jego wymianę producentowi, autoryzowanemu serwisowi lub osobom o podobnych kwalifikacjach w celu uniknięcia zagrożenia.
- Niniejsze urządzenie może być obsługiwane przez dzieci powyżej 8 roku życia oraz przez osoby o ograniczonych możliwościach fizycznych, sensorycznych czy umysłowych lub osoby nieposiadające doświadczenia ani wiedzy pod warunkiem, że są one pod odpowiednim nadzorem lub zostały poinstruowane, jak bezpiecznie obsługiwać urządzenie i rozumieją związane z nim zagrożenia. Dzieci nie powinny bawić się urządzeniem. Czyszczenie i konserwacja nie mogą być wykonywane przez dzieci bez dozoru.



- **Ostrzeżenie:** Przed uzyskaniem dostępu do przyłączy wszystkie obwody zasilania muszą zostać odłączone.

Zawsze należy robić:

- **Uwaga:** Urządzenie oraz jego dostępne części mogą się nagrzewać podczas działania. Uważaj, aby nie dotykać elementów grzejnych. Dzieci w wieku poniżej 8 lat powinny trzymać się z dala od urządzenia, chyba że znajdują się one pod stałym nadzorem.
- W przypadku gdy okapy kuchenne używane są w tym samym czasie co urządzenia spalające gaz lub inne paliwa, musi być zapewniona odpowiednia wentylacja pomieszczenia.
- Jeżeli czyszczenie nie odbywa się zgodnie z instrukcjami, istnieje zagrożenie pożarowe
- Należy zachować zgodność z przepisami dotyczącymi odprowadzania powietrza.
- Czyść okresowo urządzenie, postępując zgodnie z metodą opisaną w rozdziale KONSERWACJA.
- Ze względów bezpieczeństwa używaj tylko tych samych rozmiarów śrub mocujących czy montażowych, które są zalecane w niniejszej instrukcji obsługi.
- Szczegółowe informacje na temat metody i częstotliwości czyszczenia znajdują się w części poświęconej

konserwacji i czyszczeniu w instrukcji obsługi.

- Czyszczenie i konserwacja nie mogą być wykonywane przez dzieci bez nadzoru.
- Gdy okap kuchenny i urządzenia zasilane energią inną niż prąd są jednocześnie włączone, ciśnienie ujemne w pomieszczeniu nie może przekraczać 4 Pa (4×10^{-5} barów).

- **OSTRZEŻENIE:** Niebezpieczeństwo pożaru: nie przechowuj przedmiotów na powierzchniach gotowania.
- Nie należy używać odkurzacza parowego.
- **NIGDY** nie próbuj gasić ognia wodą, lecz wyłącz urządzenie, a następnie przykryj płomień np. pokrywką lub kocem gaśniczym.

INSTALACJA (WENTYLACJA ZEWNĘTRZNA)

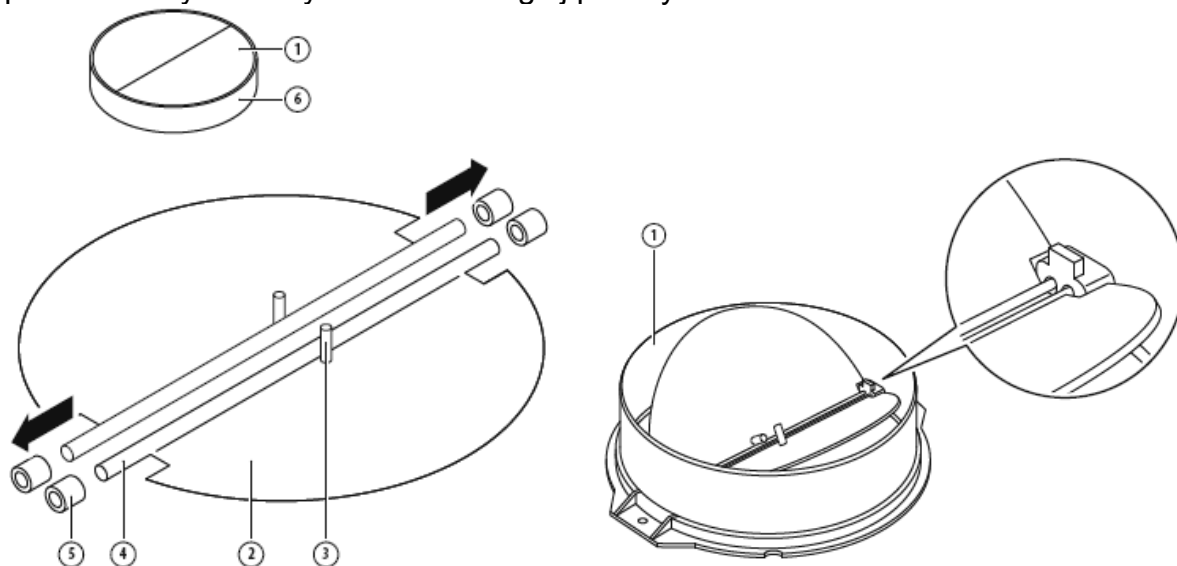
MONTAŻ KLAPY ZWROTNEJ

**Opcjonalne akcesoria dostarczane tylko z niektórymi modelami.*

Jeśli w okapie kuchennym nie ma zamontowanej klapy zwrotnej 1, należy przymocować połówki części do jego korpusu. Obrazy pokazują tylko przykład zamontowania klapy zwrotnej, wylot może być odmienny w zależności od różnych modeli i konfiguracji.

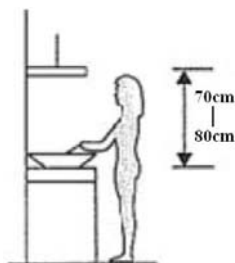
Aby zamontować klapę zwrotną 1, należy:

- Zamontować dwie połówki 2 w korpusie 6
- bolec 3 powinien być skierowany ku górze;
- oś 4 powinna być włożona w otwory 5 na korpusie;
- powtórz wszystkie czynności dla drugiej połowy

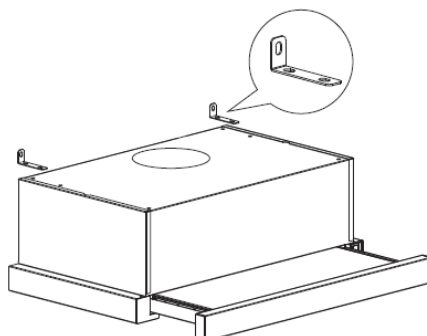


INSTALACJA (Montaż ścienny)

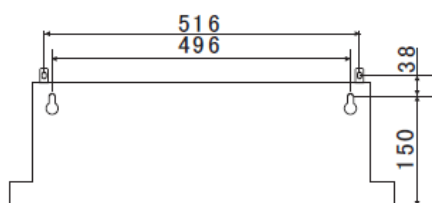
1. Wybierz miejsce otworów do zamocowania okapu kuchennego.



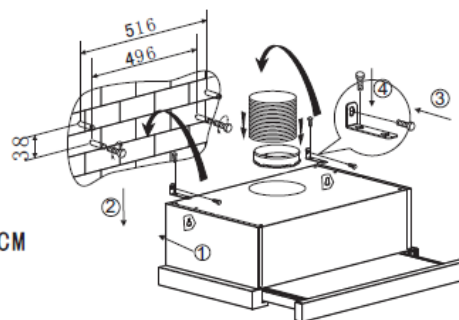
2. Zamontuj wspornik w kształcie litery L na górnej części okapu za pomocą dwóch śrub (4mm x 10mm)



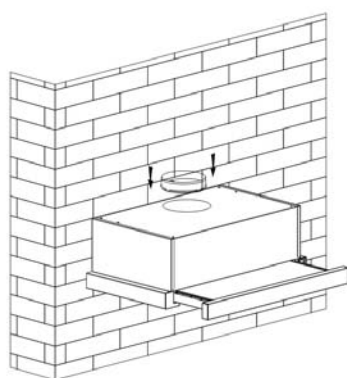
3. Okap kuchenny jest montowany na ścianie za pomocą 4 śrub (4mm x 30mm) i kołków rozporowych. Zamontuj okap kuchenny na ścianie z tyłu okapu kuchennego za pomocą 2 śrub (4mm x 30mm) i kołków rozporowych. Następnie zamontuj okap kuchenny na ścianie za pomocą 2 śrub (4mm x 30mm) i kołków rozporowych przez mały wspornik w kształcie litery L.



6002C (60) CM

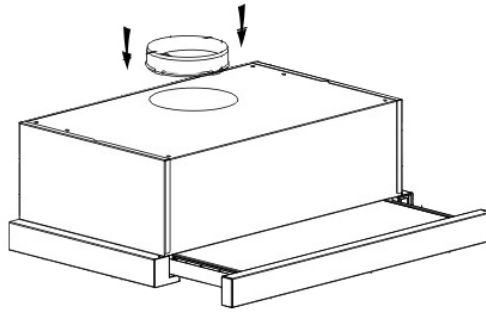


4. Przymocuj zawór jednokierunkowy do wylotu powietrza okapu kuchennego.

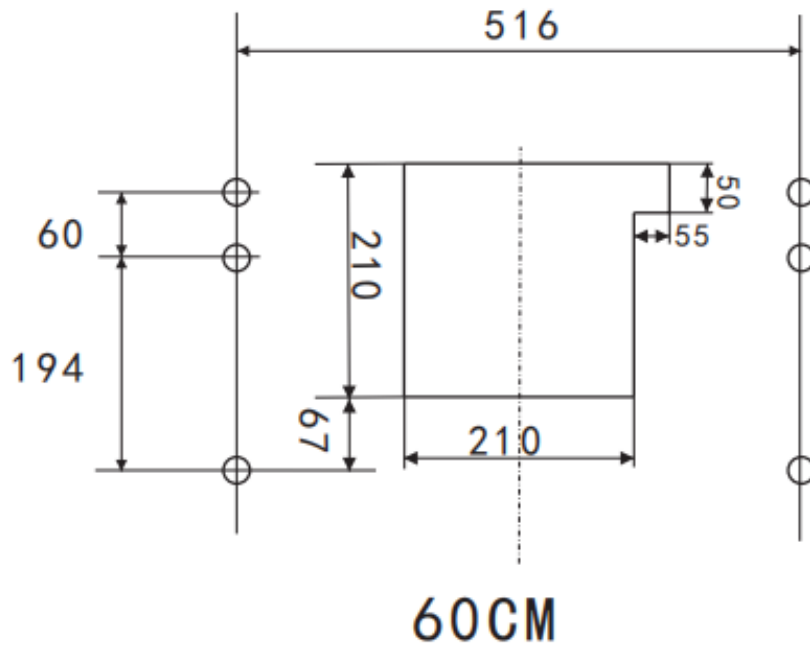


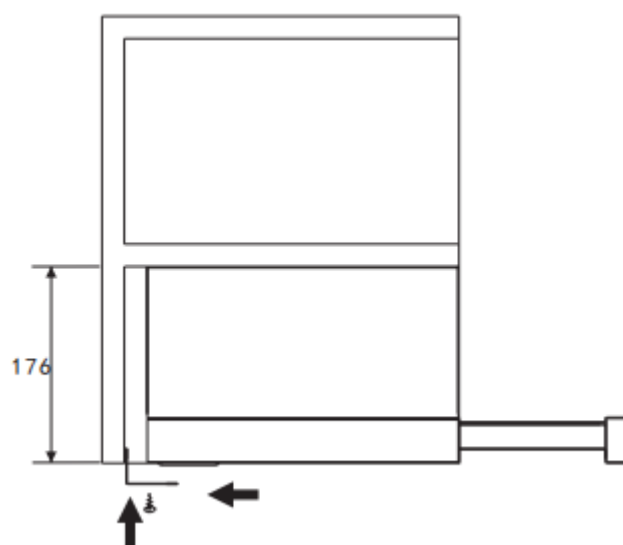
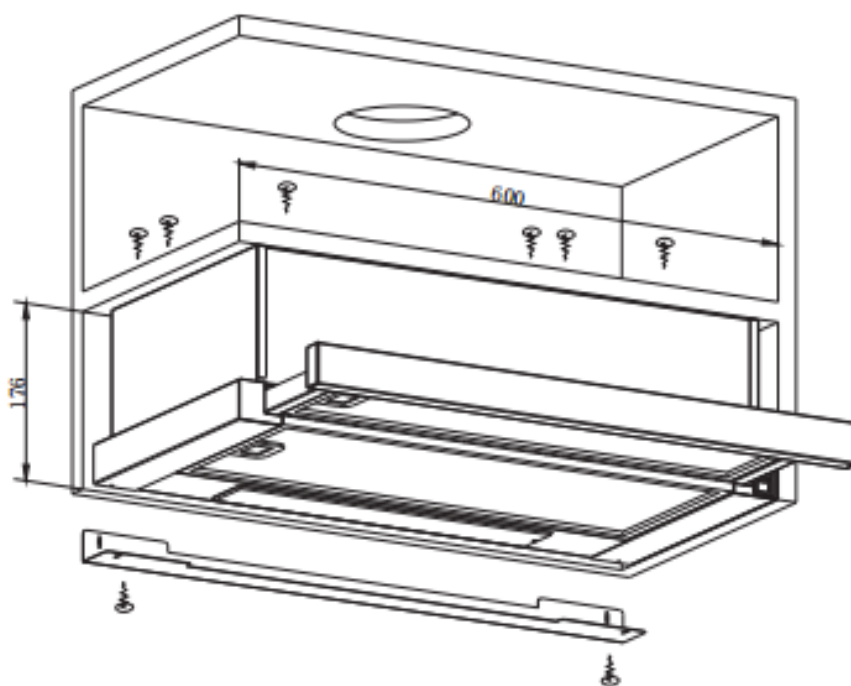
INSTALACJA (Montaż szafkowy)

1. Przymocuj zawór jednokierunkowy do wylotu powietrza okapu kuchennego.



2. Zamontuj okap kuchenny na szafce za pomocą 6 śrub (4x35 mm) i płaskich podkładek.






Jeśli pomiędzy ścianą a okapem kuchennym znajduje się szczelina, można zamocować wspornik w kształcie litery L na dnie okapu za pomocą dwóch śrub (3 x 12mm).

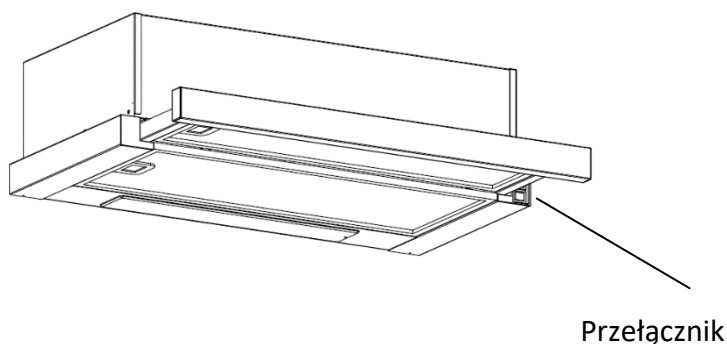
Montaż wspornika w kształcie litery L jest opcjonalny.

Uwaga: Rura elastyczna nie jest dostarczana wraz z produktem.

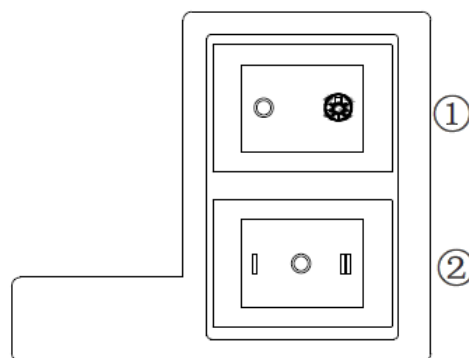
<p>OSTRZEŻENIE:</p> 	<ul style="list-style-type: none"> ➤ Ze względów bezpieczeństwa używaj tylko tych samych rozmiarów śrub mocujących czy montażowych, które są zalecane w niniejszej instrukcji obsługi. ➤ Niezamontowanie wkrętów lub urządzenia mocującego zgodnie z niniejszą instrukcją może spowodować zagrożenie elektryczne.
--	---

Zacznij korzystać z okapu kuchennego

Przełącznik kołyskowy



kołyskowy



1. Włóż wtyczkę zasilającą do gniazdka.
2. Naciśnij przełącznik ① do pozycji , aby zaświecić lampę; przełącz przełącznik ① do pozycji "0" , a lampa zgaśnie.
3. Naciśnij przełącznik ② do pozycji "I, II" , aby włączyć silnik na dwie prędkości obrotowe "niskie, wysokie" ; wciśnij "0" , a silnik wyłączy się.
4. Moc zostanie podłączona po wyciągnięciu przedniego panelu. I odwrotnie, zasilanie zostanie automatycznie odłączone.

USUWANIE USTEREK

Usterka	Potencjalna przyczyna	Rozwiązanie
Żarówka włączona, ale silnik nie działa	Wyłącznik wentylatora jest wyłączony	Wybierz pozycję wyłącznika wentylatora.
	Wyłącznik wentylatora nie	Skontaktuj się z centrum

	działa	serwisowym.
	Silnik nie działa	Skontaktuj się z centrum serwisowym.
Światło nie działa, silnik nie działa	Przepalane bezpieczniki domowe	Zresetuj/wymień bezpieczniki.
	Przewód zasilający jest luźny lub odłączony	Włóż dobrze przewód zasilający do gniazdka. Włącz gniazdko.
Wyciek oleju	Zawór jednokierunkowy i wylot nie są ciasno uszczelnione	Zdejmij zawór jednokierunkowy i uszczelnij szczeliwem.
	Wyciek z połączenia komina i pokrywy	Zdejmij komin i uszczelnij.
Światła nie działają	Spalone/wadliwe lampki	Wymień lampki zgodnie z niniejszą instrukcją.
Niewystarczające odsysanie	Odległość pomiędzy okapem kuchennym a gazową płytą grzejącą jest zbyt duża	Ustaw ponownie okap kuchenny w prawidłowej odległości.
Okap kuchenny jest pochylony	Śruba mocująca nie jest wystarczająco mocno dokręcona	Dokręć śrubę mocującą i ustaw go poziomo.

UWAGA:



Wszelkie naprawy elektryczne niniejszego urządzenia muszą być zgodne z przepisami lokalnymi, wojewódzkimi i krajowymi. W przypadku wątpliwości przed podjęciem jakichkolwiek powyższych czynności należy skontaktować się z centrum serwisowym. Podczas otwierania urządzenia należy zawsze odłączyć urządzenie od źródła zasilania.

KONSERWACJA I CZYSZCZENIE

Uwaga:

- Przed rozpoczęciem konserwacji lub czyszczenia okapu kuchennego należy odłączyć od głównego źródła zasilania. Upewnij się, że gniazdko ściennie do okapu kuchennego jest wyłączone, a wtyczka wyjęta.
- Zewnętrzne powierzchnie są podatne na zadrapania i otarcia, dlatego należy postępować zgodnie z instrukcjami czyszczenia, aby uzyskać najlepszy możliwy rezultat bez uszkodzeń.



INFORMACJE OGÓLNE

Czyszczenie i konserwacja powinna być przeprowadzana przy zimnym urządzeniu, szczególnie podczas czyszczenia. Unikaj pozostawiania na powierzchni substancji alkalicznych lub kwaśnych (sok z cytryny, ocet itp.).

STAL NIERDZEWNA

Stal nierdzewna musi być regularnie czyszczona (np. co tydzień), aby zapewnić długi okres użytkowania. Wycieraj czystą miękką ściereczką. Można użyć specjalistycznego płynu czyszczącego do stali nierdzewnej.

UWAGA:

Upewnij się, że wycieranie odbywa się wzdłuż tekstury stali nierdzewnej, aby zapobiec pojawieniu się nieestetycznych krzyżujących się zarysowań.

POWIERZCHNIA PANELU STEROWANIA

Wkładkę panelu sterowania można wyczyścić ciepłą wodą z mydłem. Przed czyszczeniem upewnij się, że ściereczka jest czysta i dobrze wykręcona. Użyj suchej, miękkiej ściereczki, aby usunąć nadmiar wilgoci pozostawionej po czyszczeniu.

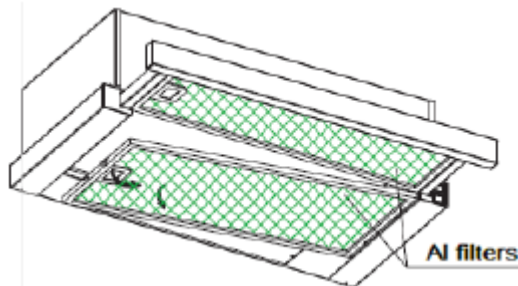
Ważne

Używaj neutralnych detergentów i unikaj używania ostrych chemikaliów, silnych domowych detergentów czy produktów zawierających materiały ściernie, ponieważ wpłynie to na wygląd urządzenia i potencjalnie usunie wszelką drukowaną grafikę na panelu sterowania, jak również spowoduje unieważnienie gwarancji producenta.

FILTRY SIATKOWE PRZECIWTŁUSZCZOWE

Filtry siatkowe można czyścić ręcznie. Namocz je przez około 3 minuty w wodzie z dodatkiem detergentu rozpuszczającego tłuszcz, a następnie delikatnie przetrzyj za pomocą miękkiej szczoteczki. Proszę nie wywierać zbyt dużego nacisku, aby uniknąć ich uszkodzenia. (Pozostaw do samoczynnego wyschnięcia z dala od bezpośredniego światła słonecznego)

Filtry należy myć oddzielnie od naczyń stołowych i przyborów kuchennych. Wskazane jest, aby nie używać płynu nabłyszczającego.



MONTAŻ FILTRÓW SIATKOWYCH PRZECIWTŁUSZCZOWYCH

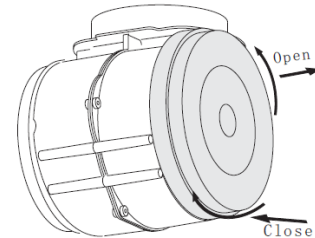
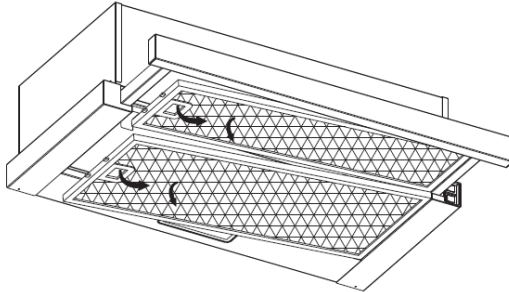
- Aby zamontować filtry, postępuj zgodnie z następującymi czterema krokami.
- Umieść filtr w szczelinach z tyłu okapu.
- Naciśnij przycisk na uchwycie filtra.
- Zwolnij uchwyt, gdy filtr znajdzie się w pozycji spoczynkowej.
- Powtórz czynności, aby zamontować wszystkie filtry.

FILTR WĘGLOWY- niedostarczony

Filtr z węglem aktywnym służy do neutralizowania zapachów. Zazwyczaj filtr z węglem aktywnym powinien być wymieniony po trzech lub sześciu miesiącach w zależności od przyzwyczajień żywieniowych i sposobu gotowania. Procedura instalacji filtra z węglem

aktywnym wygląda następująco.


- (1) Przesuń przednią część okapu kuchennego.
- (2) Najpierw należy odłączyć filtr. Nacisnąć blokadę i pociągnąć w dół.
- (3) Wyjmij filtr węglowy, obracając filtr węglowy w kierunku przeciwnym do ruchu wskazówek zegara.
- (4) Wymień na nowy filtr węglowy.



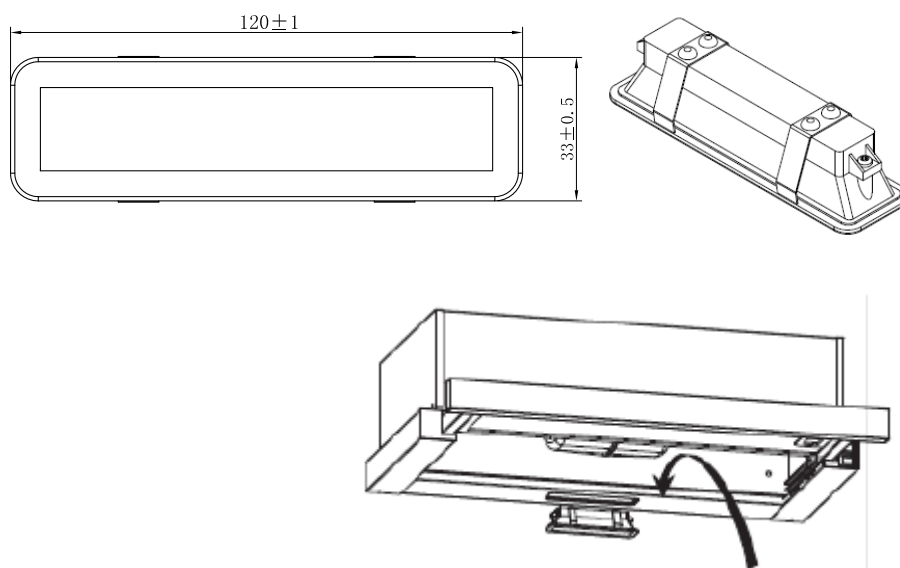
UWAGA:

- Upewnij się, że filtr jest bezpiecznie zablokowany. W przeciwnym razie może się obluzować i wywołać zagrożenie.
- Po założeniu filtra z węglem aktywnym moc ssania będzie obniżona.

WYMIANA ŻARÓWKI

<p>Ważne:</p> 	<ul style="list-style-type: none">✧ Żarówka musi być wymieniona przez producenta, jego przedstawiciela lub osoby wykwalifikowanej.✧ Zawsze wyłączaj zasilanie elektryczne przed wykonaniem jakichkolwiek czynności na urządzeniu. Podczas obsługi żarówki, upewnij się, że ostygła ona całkowicie przed bezpośrednim kontaktem z rękoma.✧ Podczas obsługi lampek należy użyć szmatki lub rękawic, aby zapewnić, że pot nie wejdzie w kontakt z lampką, ponieważ może to zmniejszyć jej żywotność.
---	---

- (1) Wyłącz urządzenie i odłącz zasilanie sieciowe.
- (2) Przesuń przednią część okapu kuchennego.
- (3) Najpierw należy odłączyć filtr. Nacisnąć blokadę i pociągnąć w dół.
- (4) Wymień na ten sam typ światła 110-240V~50Hz, MAX.2W LED
 - Kod ILCOS D dla tej lampy to: DBS-2/65-H-120/33.
 - Max. moc: 1X2 W
 - Zakres napięcia: AC 110-240V
 - Wymiary:



OCHRONA ŚRODOWISKA:



Niniejsze urządzenie jest oznakowane zgodnie z Dyrektywą Europejską 2012/19/UE w sprawie zużytego sprzętu elektrycznego i elektronicznego 2013, dotyczącą urządzeń elektrycznych i elektronicznych (WEEE). Kategoria WEEE obejmuje zarówno substancje zanieczyszczające (które mogą powodować negatywne skutki dla środowiska), jak i podstawowe komponenty (które mogą zostać ponownie użyte). Ważne jest odpowiednie obchodzenie się z WEEE, aby prawidłowo usuwać substancje zanieczyszczające oraz odzyskiwać wszystkie materiały. Każdy z nas jest odpowiedzialny za to, by WEEE nie stał się problemem środowiskowym; ważne jest przestrzeganie pewnych podstawowych zasad:

- WEEE nie należy wyrzucać razem ze zwykłymi odpadami domowymi;
- WEEE należy oddać do odpowiednich punktów selektywnej zbiórki odpadów w regionie lub firm zajmujących się ich utylizacją.

W wielu krajach w przypadku WEEE o dużych rozmiarach istnieje możliwość odbioru ich z domu użytkownika. Kiedy kupuje się nowe urządzenie, stare urządzenie można zwrócić sprzedawcy, który odbierze je za darmo na zasadzie „urządzenie za urządzenie”, pod warunkiem, że urządzenie jest odpowiedniego typu i posiada te same funkcje, co nowy dostarczony sprzęt.

UWAGA:

Poniżej pokazano, jak zredukować całkowity wpływ na środowisko (np. zużycie energii) podczas gotowania.

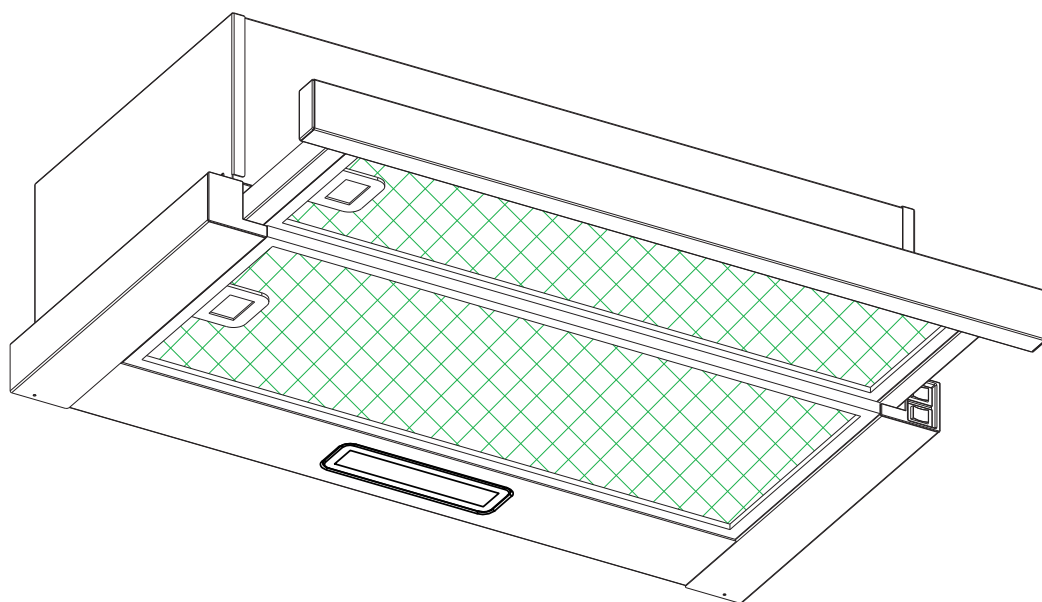
- (1) Zainstaluj okap w odpowiednim miejscu, w którym zapewniona jest skuteczna wentylacja.
- (2) Regularnie czyść okap, aby nie blokować kanałów powietrznych.
- (3) Pamiętaj, aby po zakończeniu gotowania wyłączyć światło okapu kuchennego.
- (4) Pamiętaj, aby po zakończeniu gotowania wyłączyć okap kuchenny.

INFORMACJE DOTYCZĄCE DEMONTAŻU

Nie demontuj urządzenia w sposób niepokazany w instrukcji obsługi. Urządzenie nie może być rozmontowane przez użytkownika. Po zakończeniu użytkowania urządzenia nie należy go wyrzucać wraz z odpadami domowymi. Informacje o recyklingu można otrzymać w miejscowym urzędzie lub u sprzedawcy.

Kuchynský odsávač

Návod na obsluhu



Obsah

- 1.....Bezpečnostné pokyny
- 2.....Inštalácia
- 3.....Prvé kroky pri používaní kuchynského odsávača
- 4.....Riešenie problémov
- 5.....Údržba a čistenie
- 6.....Ochrana životného prostredia

BEZPEČNOSTNÉ POKYNY

Tento návod obsahuje informácie týkajúce sa správnej inštalácie a používania kuchynského odsávača. Pred začatím používania si ho dôkladne prečítajte, a to aj v prípade, že ste sa už s produktom oboznámili. Návod uschovajte na bezpečnom mieste, aby ste doň mohli nahliadnúť v prípade potreby v budúcnosti.

Nikdy nerobte nasledujúce činnosti:

- Nepokúšajte sa používať kuchynský odsávač bez tukových filtrov, alebo ak sú filtre nadmerne zanesené tukom!
- Neinštalujte nad sporák s grilom vo veľkej výške.
- Počas používania nenechávajte panvice bez dohľadu, pretože prehriate tuky alebo oleje môžu vzplanúť.
- Nikdy nenechávajte pod kuchynským odsávačom horieť otvorený plameň.



- Ak je kuchynský odsávač poškodený, nesnažte sa ho používať.
- Pod kuchynským odsávačom neflambujte.
- **UPOZORNENIE:** Pri používaní s kuchynskými spotrebičmi sa nekryté časti môžu zahrievať na vysoké teploty.
- Minimálna vzdialenosť medzi opornou plochou varných nádob na platni sporáka a najnižšou časťou kuchynského odsávača. (Keď sa kuchynský odsávač nachádza nad plynovým spotrebičom, musí sa dodržať minimálna vzdialenosť 65 cm.)
- Vzduch sa nesmie odvádzať do komína, ktorý slúži na odvádzanie výfukových plynov zo spotrebičov spaľujúcich plyn alebo iné palivá.



Vždy dodržiavajte nasledujúce pokyny:

- **Dôležité!** Pred začatím inštalácie a údržby, napríklad pred výmenou žiarovky, zakaždým vypnite prívod elektrickej energie z napájacej siete.
- Kuchynský odsávač sa musí inštalovať v súlade s inštaláčnymi pokynmi a musia sa dodržať všetky rozmery.
- Všetky inštaláčne práce musí vykonávať kompetentná osoba alebo kvalifikovaný elektrikár.
- Dohliadnite na správnu likvidáciu baliaceho materiálu. Predstavuje nebezpečenstvo pre deti.
- Dávajte pozor na ostré hrany vo vnútri kuchynského odsávača, predovšetkým počas inštalácie a čistenia.
- Ak sa kuchynský odsávač nachádza nad plynovým spotrebičom, medzi opornou plochou varných nádob na platni sporáka a najnižšou časťou kuchynského odsávača musí byť zachovaná nasledujúca minimálna vzdialenosť:
Plynové sporáky: 75 cm
Elektrické sporáky: 65 cm
Sporáky na uhlie alebo vykurovací olej: 75 cm
- Uistite sa, že sa na potrubnom vedení nenachádzajú ohyby ostrejšie než 90 stupňov, pretože v opačnom prípade sa zníži účinnosť kuchynského odsávača.
- **Výstraha:** V prípade nenainštalovania skrutiek alebo upevňovacieho zariadenia v súlade s týmito pokynmi môže hroziť úraz elektrickým prúdom.

Vždy dodržiavajte nasledujúce pokyny:

- Pri príprave pokrmov na plynovom sporáku vždy zakrývajte hrnce a panvice pokrievkami.
- Kuchynský odsávač počas prevádzky v režime odsávania odvádza vzduch z miestnosti. Dohliadnite na dodržiavanie vhodných opatrení týkajúcich sa vetrania. Kuchynský odsávač odstraňuje z miestnosti pachy, no neodstraňuje paru.
- Kuchynský odsávač pár je určený iba na použitie v domácnosti.



- Ak je prívodný kábel poškodený, musí ho vymeniť výrobca, jeho servisný zástupca alebo osoby s podobnou kvalifikáciou, aby sa predišlo nebezpečenstvu.
- Deti staršie ako 8 rokov a osoby s obmedzenými fyzickými, zmyslovými alebo duševnými schopnosťami alebo s nedostatkom skúseností a vedomostí môžu používať tento spotrebič, ak sú pod dohľadom alebo dostali pokyny týkajúce sa bezpečného používania spotrebiča a ak rozumejú možným rizikám. Deti sa so spotrebičom nesmú hrať. Čistenie a údržbu nesmú vykonávať deti bez dozoru.



- **Výstraha:** Pred sprístupnením elektrických svoriek treba bezpodmienečne odpojiť všetky napájacie obvody.

Vždy dodržiavajte nasledujúce pokyny:

- **Upozornenie:** Spotrebič a jeho nekryté časti sa počas prevádzky môžu zahrievať na vysoké teploty. Dávajte pozor, aby ste sa nedotkli nahriatych prvkov. Deti mladšie než 8 rokov nesmú mať prístup k zariadeniu, pokiaľ nie sú pod neustálym dozorom.
- Ak sa kuchynský odsávač používa súčasne so spotrebičmi spaľujúcimi plyn alebo iné palivá, treba zaistiť dostatočné vetranie miestnosti.
- Ak sa nevykonáva čistenie v súlade s pokynmi, hrozí riziko požiaru.
- Je potrebné zaistiť plnenie nariadení týkajúcich sa odvádzania vzduchu.
- Spotrebič pravidelne čistite podľa postupu uvedeného v kapitole ÚDRŽBA.
- Z bezpečnostných dôvodov používajte iba tie veľkosti upevňovacích alebo montážnych skrutiek, ktoré sú odporúčané v tomto návode na obsluhu.
- Podrobné informácie o postupe a intervaloch čistenia nájdete v časti tohto návodu na obsluhu venovanej údržbe a čisteniu.
- Deti bez dozoru nesmú čistiť spotrebič ani vykonávať jeho bežnú údržbu.
- Keď sa kuchynský odsávač používa súčasne so spotrebičmi napájanými inou než elektrickou energiou, záporný tlak v miestnosti nesmie prekročiť 4 Pa (4×10^{-5} bar).
- **VÝSTRAHA:** Nebezpečenstvo požiaru: na povrch varnej dosky neodkladajte žiadne predmety.
- **Nepoužívajte parný čistič.**
- **Požiar sa NIKDY nepokúšajte hasiť vodou.** Vypnite spotrebič a potom zakryte plameň napr. pokrievkou alebo hasiacou dekou.

INŠTALÁCIA (ODVETRÁVANIE DO EXTERIÉRU)

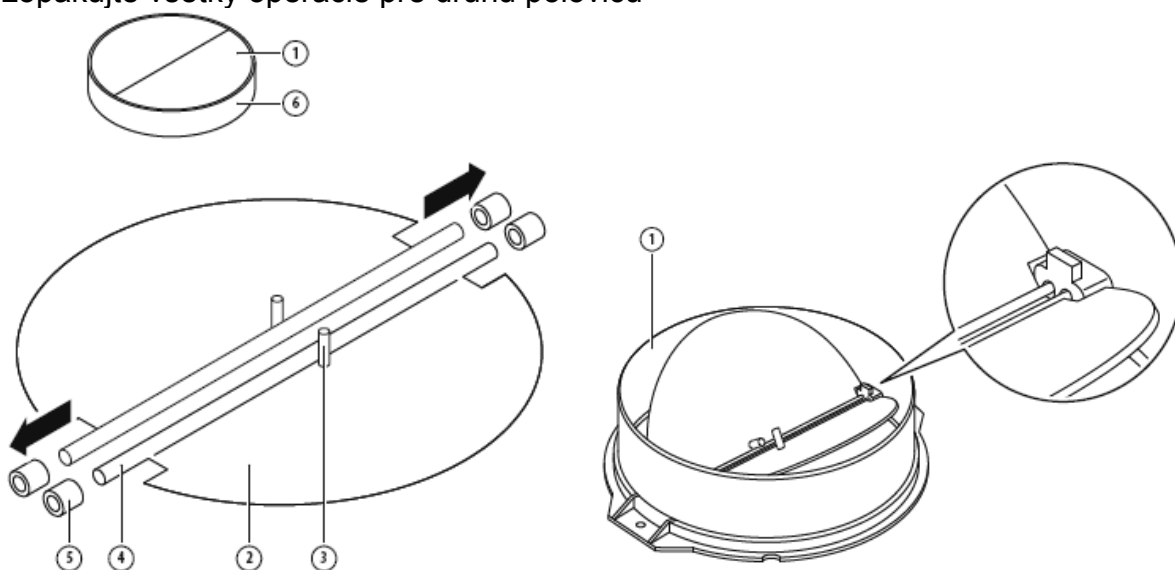
MONTÁŽ V-KLAPKY

**Voliteľné príslušenstvo dodávané len s niektorými modelmi.*

Ak odsávač pár nemá zostavenú V-klapku 1, mali by ste pripevniť jej polovice na jeho telo. Obrázky zobrazujú len príklad montáže V-klapky, výstup môže byť rôzny podľa rôznych modelov a konfigurácie.

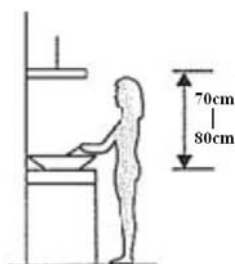
Pri montáži V-klapky 1 by ste mali:

- Namontovať dve polovice 2 do tela 6
- kolík 3 by mal byť orientovaný smerom nahor;
- os 4 by sa mala vložiť do otvorov 5 na tele;
- zopakujte všetky operácie pre druhú polovicu

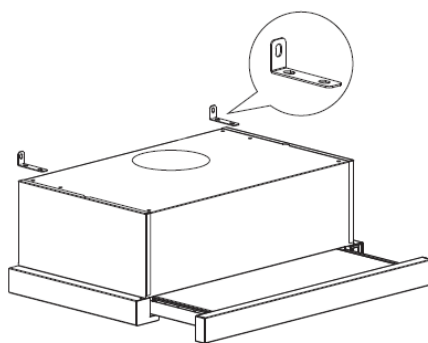


INŠTALÁCIA (montáž na stenu)

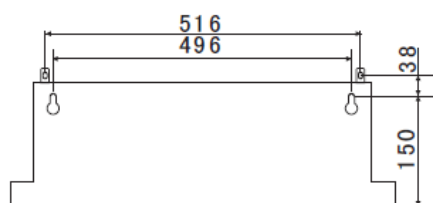
1. Rozhodnite sa o umiestnení otvorov na upevnenie odsávača pár.



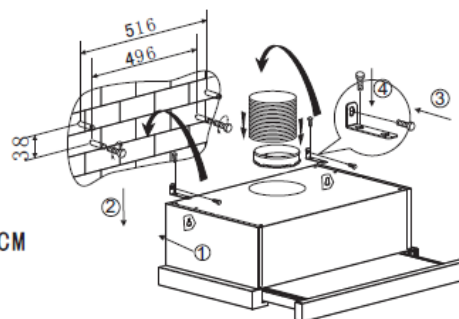
2. Nainštalujte držiak v tvare písmena L na hornú časť krytu pomocou dvoch skrutiek (4 mm x 10 mm)



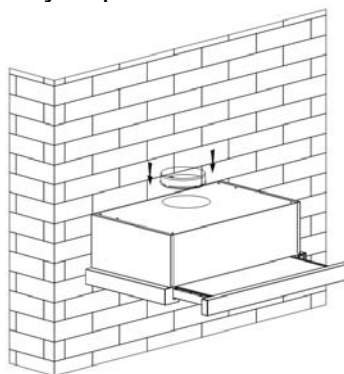
3. Odsávač pár je namontovaný na stenu pomocou 4 skrutiek (4 mm x 30 mm) a nástenných zátek.
 Namontujte odsávač pár na stenu jeho zadnou stranou pomocou dvoch skrutiek (4 mm x 30 mm) a nástenných zátek. Potom upevnite odsávač pár na stenu dvoma skrutkami (4 mm x 30 mm) a nástennými zátkami cez malý držiak v tvare písmena L.



6002C (60) CM

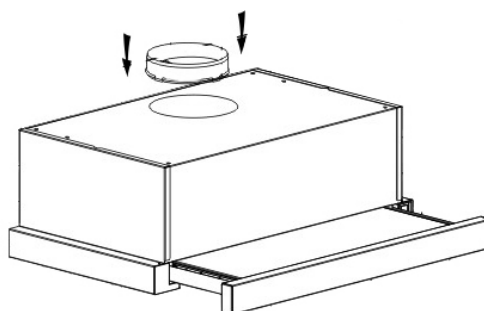


4. Pripojte jednosmerný ventil k výstupu vzduchu na odsávači pár.

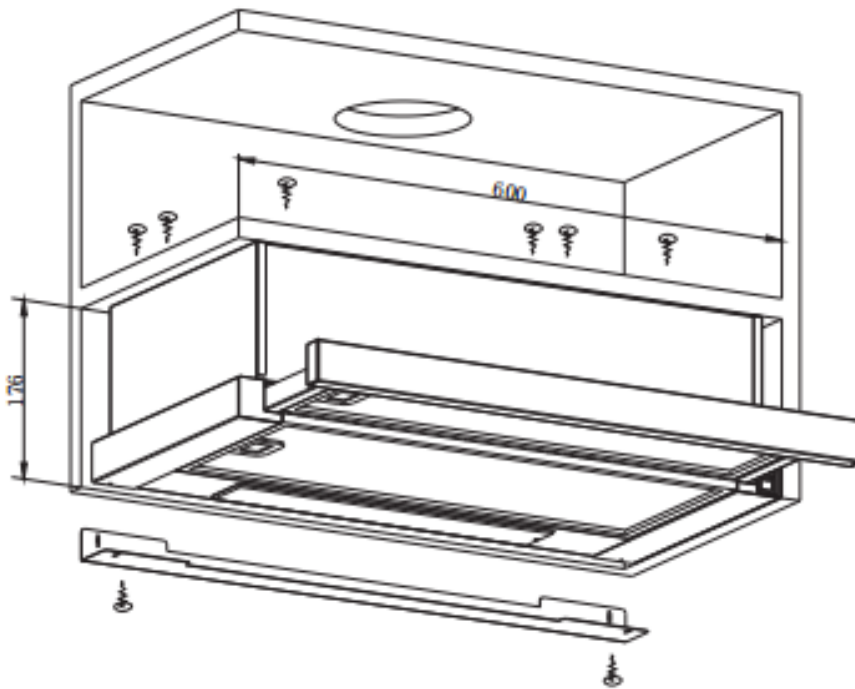
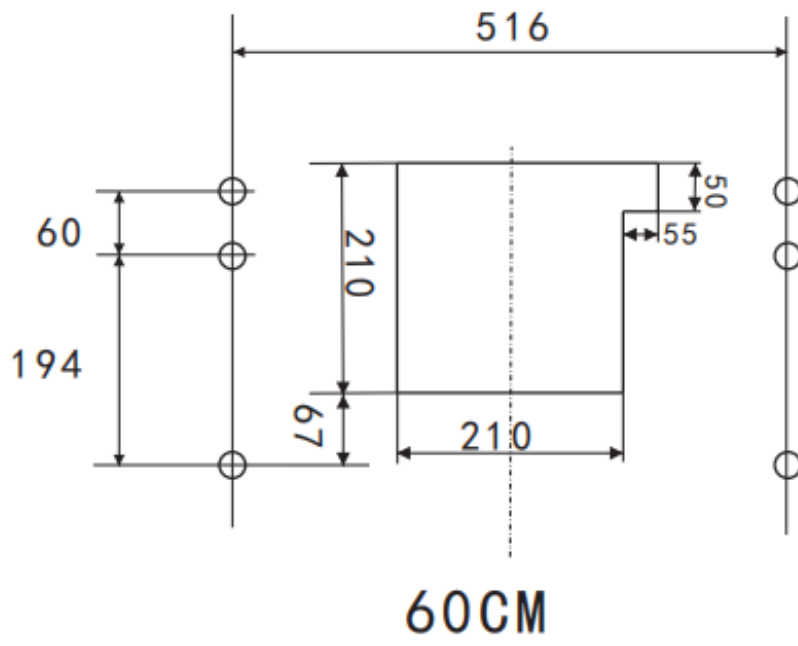


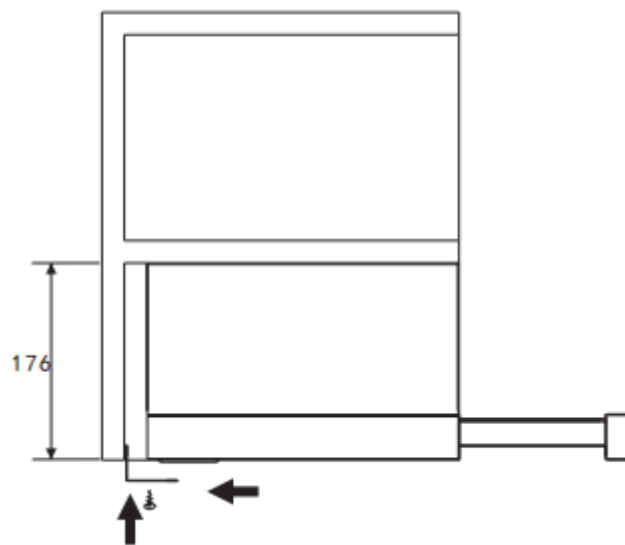
INŠTALÁCIA (montáž skrinky)

1. Pripojte jednosmerný ventil k výstupu vzduchu na odsávači pár.



2. Namontujte odsávač pár na skrinku pomocou 6 skrutiek (4 x 35 mm) a s plochými podložkami.





Ak existuje medzera medzi stenou a odsávačom pár, nainštalujte držiak v tvare písmena L na spodnú časť krytu pomocou dvoch skrutiek (3 x 12 mm).
Inštalácia držiaka v tvare písmena L je voliteľná.
Poznámka: Expanzné potrubie nie je súčasťou výrobku.

VÝSTRAHA:



- Z bezpečnostných dôvodov používajte iba tie veľkosti upevňovacích alebo montážnych skrutiek, ktoré sú uvedené v tomto návode na obsluhu.
- V prípade nenainštalovania skrutičky alebo upevňovacieho zariadenia v súlade s týmito pokynmi môže hroziť úraz elektrickým prúdom.

Prvé kroky pri používaní kuchynského odsávača

Kolískový prepínač



1. Zasuňte sieťovú zástrčku do zásuvky.
2. Stlačte prepínač ①, kontrolka svieti; stlačte prepínač ① do polohy "0", kontrolka zhasne.
3. Stlačte prepínač ② do polohy "I alebo II", motor bude bežať na "nízkej alebo vysokej" rýchlosti (dve rýchlosti), prepnite prepínač do polohy "0", motor sa vypne.
4. Keď vytiahnete predný panel, spotrebič sa pripojí k napájaniu. Naopak, keď zatlačíte panel späť, napájanie sa automaticky odpojí.

RIEŠENIE PROBLÉMOV

Chyba	Možná príčina	Riešenie
Svetlo svieti, ale motor nepracuje	Vypnutý prepínač ventilátora	Vyberte polohu prepínača ventilátora.
	Porucha prepínača ventilátora	Obráťte sa na servisné stredisko.
	Porucha motora	Obráťte sa na servisné stredisko.
Svetlo nesvieti, motor nepracuje	Vypálené poistky v dome.	Resetujte/vymeňte poistky.
	Voľný alebo odpojený napájací kábel	Kábel znova zapojte do elektrickej zásuvky. Zapnite elektrickú zásuvku.
Únik oleja	Nedostatočné utesnenie jednosmerného ventilu a výstupu	Odmontujte jednosmerný ventil a utesnite tesniacim prostriedkom.
	Únik cez pripojenie medzi komínom a krytom	Odmontujte a utesnite komín.

Svetlá nesvietia	Rozbité/chybné žiarovky	Vymeňte žiarovky podľa tejto príručky.
Nedostatočné odsávanie	Príliš veľká vzdialenosť medzi kuchynským odsávačom a vrchnou časťou sporáka	Kuchynský odsávač namontujte do správnej vzdialenosti.
Kuchynský odsávač sa nakláňa	Nedostatočne utiahnutá upevňovacia skrutka	Utiahnite závesnú skrutku a uveďte ju do vodorovnej polohy.

POZNÁMKA:



Všetky opravy elektrických komponentov tohto spotrebiča musia prebiehať v súlade s platnými miestnymi, štátnymi a federálnymi zákonmi. V prípade akýchkoľvek pochybností sa obráťte na servisné stredisko, skôr než sa pustíte do takýchto prác. Zariadenie pred otvorením vždy odpojte od zdroja napájania.

ÚDRŽBA A ČISTENIE

Upozornenie:

- Pred začatím vykonávania údržby alebo čistenia odpojte kuchynský odsávač od hlavného zdroja elektrického napájania. Uistite sa, že kuchynský odsávač je vypnutý a zástrčka je vytiahnutá zo zásuvky.



- Vonkajšie povrchy sú citlivé a je možné ich ľahko poškriabať alebo odrieť, preto dodržiavajte pokyny týkajúce sa čistenia, aby ste dosiahli najlepšie možné výsledky bez poškodenia.

VŠEOBECNÉ

Údržbu a predovšetkým čistenie vykonávajte na vychladnutom spotrebiči. Dávajte pozor, aby sa na povrchy nedostali zásadité ani kyslé látky (citrónová šťava, ocot a pod.).

NEHRDZAVEJÚCA OCEĽ

Nehrdzavejúca oceľ sa musí pravidelne (každý týždeň) čistiť, aby sa zaistila dlhá životnosť. Na osušenie po čistení použite čistú, jemnú handričku. Môže sa používať špeciálna čistiaca kvapalina na nehrdzavejúcu oceľ.

POZNÁMKA:

Utieranie vykonávajte v smere pozdĺž textúry nehrdzavejúcej ocele, aby na nej nezostali nevzhľadné šmuhy.

POVRCH OVLÁDACIEHO PANELA

Vložku ovládacieho panela možno čistiť teplou mydlovou vodou. Pred čistením sa uistite, či je handra čistá a dôkladne vyžmýkaná. Po čistení utrite zvyšnú vlhkosť suchou, jemnou handričkou.

Dôležité

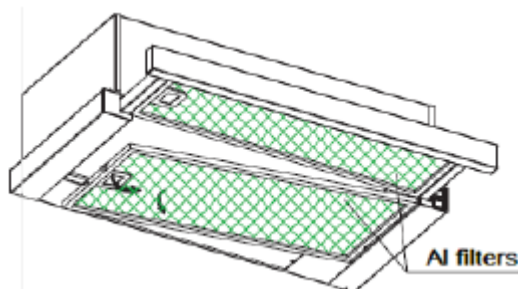
Používajte neutrálne čistiace prostriedky a nepoužívajte agresívne čistiace chemikálie ani silné čistiace prostriedky určené na použitie v domácnosti alebo produkty obsahujúce brúsivá, pretože negatívne vplyvajú na vzhľad výrobku, môžu odstrániť

symboly vytlačené na ovládacom paneli a ich použitie povedie k zániku záruky od výrobcu.

DRÔTENÉ TUKOVÉ FILTRE

Drôtené filtre sa dajú čistiť ručne. Namočte filtre na dobu asi 3 minút do vody s čistiacim prostriedkom na uvoľnenie mastnoty a jemne ich očistite mäkkou kefou . Nepoužívajte príliš veľký tlak, vyhýbajte sa poškodeniu. (Nechajte prirodzene vyschnúť, nie na priamom slnečnom svetle)

Filtre by mali byť umývané samostatne od riadu a kuchynských potrieb. Odporúča sa nepoužívať leštidlo.



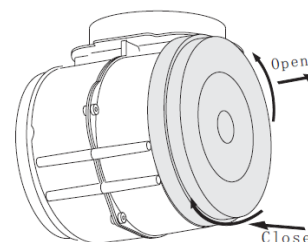
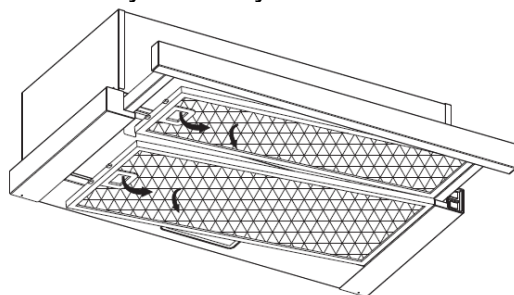
INŠTALÁCIA DRÔTENÝCH TUKOVÝCH FILTROV

- Postup inštalácie filtrov je uvedený v nasledujúcich štyroch krokoch.
- Filter nasmerujte do otvorov na zadnej strane odsávača pár.
- Stlačte tlačidlo na rukoväti filtra.
- Po vložení filtra do kľudovej polohy uvoľnite rukoväť.
- Ak chcete nainštalovať všetky filtre, postup opakujte.

UHLÍKOVÝ FILTER - nie je súčasťou balenia

Filter s aktívnym uhlím je možné použiť na zachytenie zápachu. V závislosti od frekvencie Vášho varenia by mal byť filter aktívneho uhlia vymenený v rozmedzí troch alebo šiestich mesiacov. Postup inštalácie filtra s aktívnym uhlím je uvedený nižšie.


- (1) Vysuňte prednú časť odsávača pár.
- (2) Najprv treba odpojiť hliníkový filter. Stlačte zámok a potiahnite ho smerom nadol.
- (3) Vytiahnite uhlíkový filter jeho otáčaním proti smeru hodinových ručičiek
- (4) Vložte nový uhlíkový filter.



POZNÁMKA:

- Presvedčte sa, či je filter bezpečne zaistený. V opačnom prípade by sa mohol uvoľniť a spôsobiť nebezpečenstvo.
- Po osadení filtra s aktívnym uhlím dôjde k zníženiu odsávacieho výkonu.

VÝMENA ŽIAROVKY

<p>Dôležité:</p> 	<ul style="list-style-type: none">✧ Výmenu žiarovky musí vykonávať výrobca, jeho servisný zástupca alebo osoba s podobnou kvalifikáciou.✧ Pred začatím vykonávania akýchkoľvek prác na spotrebiči vždy vypnite prívod elektrickej energie. Pri manipulácii so žiarovkou sa uistite, že je úplne chladná, až potom ju uchopte do rúk.✧ Pri manipulácii so žiarovkami použite na uchopenie žiaroviek handričku alebo rukavice, aby nedošlo ku kontaktu telesnej vrchvosti so žiarovkou, pretože to môže viesť k skráteniu životnosti žiarovky.
--	--

(1) Vypnite spotrebič a vyťahnite zástrčku.

(2) Vysuňte prednú časť odsávača pár.

(3) Najprv treba odpojiť hliníkový filter. Stlačte zámok a potiahnite ho smerom nadol.

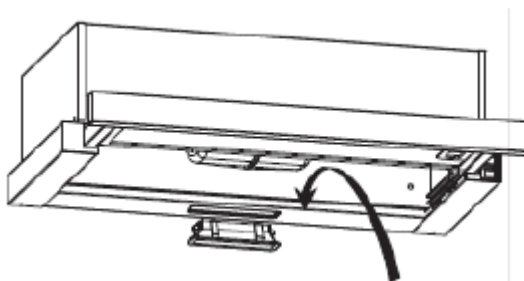
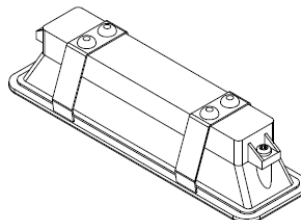
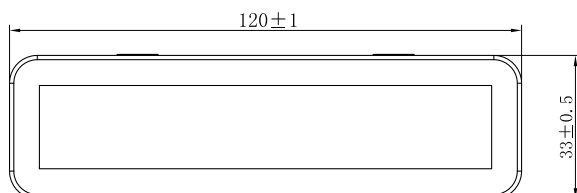
(4) Nahradte rovnakým typom. 110-240V ~ 50Hz, LED 2W

• **Kód ILCOS D tejto žiarovky je: DBS-2/65-H-120/33.**

– max. wattový výkon: 1X2 W

– rozsah napätia: AC 110-240 V

– Rozmery:



OCHRANA ŽIVOTNÉHO PROSTREDIA



o odpade elektrických a elektronických zariadení z roku 2013 týkajúcich sa elektrických a elektronických spotrebičov (OEEZ). OEEZ sa zaoberá znečisťujúcimi látkami (ktoré môžu mať negatívny vplyv na životné prostredie) a základnými prvkami (ktoré sa môžu znova použiť). Je dôležité, aby OEEZ podstúpili osobitné úpravy na správne odstránenie a likvidáciu znečisťujúcich látok a obnovu všetkých materiálov. Jednotlivci môžu zohrávať dôležitú rolu pri zabezpečovaní toho, aby sa z OEEZ nestal problém životného prostredia; potrebné je dodržiavať niekoľko základných pravidiel:

- s OEEZ sa nesmie nakladať ako s domovým odpadom;
- OEEZ sa musia odvážať do vyhradených zberných oblastí spravovaných mestskou radou alebo registrovanou spoločnosťou.

V mnohých krajinách môžu byť k dispozícii pre veľké OEEZ strediská zberu domového odpadu. Keď si kúpite nový spotrebič, starý spotrebič sa môže vrátiť dodávateľovi, ktorý ho musí prijať bezplatne ako jednorazovú záležitosť, pokiaľ je spotrebič ekvivalentného typu a má rovnaké funkcie ako zakúpený spotrebič.

POZNÁMKA:

Nasledujúce informácie slúžia na zníženie celkového negatívneho vplyvu procesu varenia na životné prostredie (napr. spotreba energie).

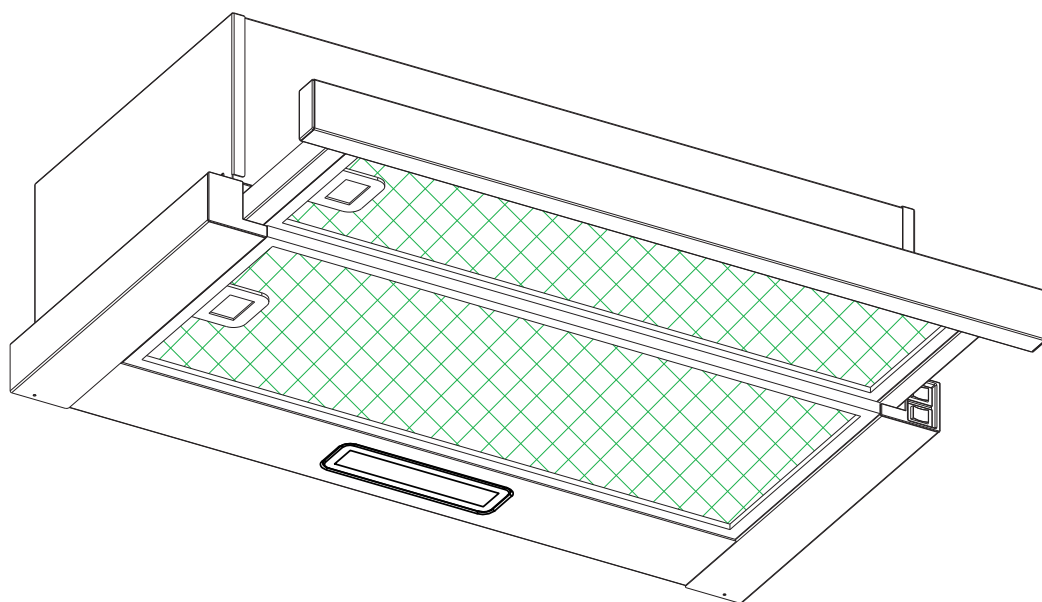
- (1) Kuchynský odsávač nainštalujte na vhodné miesto s účinným vetraním.
- (2) Kuchynský odsávač pravidelne čistite, aby nedošlo k upchatiu vzduchového kanála.
- (3) Po varení nezabudnite vypnúť svetlo kuchynského odsávača.
- (4) Po varení nezabudnite vypnúť kuchynský odsávač.

INFORMÁCIE TÝKAJÚCE SA LIKVIDÁCIE

Spotrebič nelikvidujte spôsobom, ktorý nie je uvedený v tomto návode na použitie. Likvidáciu spotrebiča nesmie vykonávať používateľ. Po uplynutí prevádzkovej životnosti sa spotrebič nesmie likvidovať spolu s komunálnym odpadom. Poradenstvo v súvislosti s recykláciou vám poskytnú miestne úrady alebo predstavitelia samosprávy.

Kuhinjski aspirator

Uputstvo



Sadržaj

1.....	Bezbednosna uputstva
2.....	Montaža
3.....	Pokretanje aspiratora
4.....	Rešavanje problema
5.....	Održavanje i čišćenje
6.....	Zaštita životne sredine

BEZBEDNOSNA UPUTSTVA

Ovo uputstvo objašnjava kako se aspirator montira i koristi i molimo vas da ga pažljivo pročitate pre nego što počnete da koristite aspirator čak i ako ste već upoznati s ovim proizvodom. Ovo uputstvo treba čuvati na sigurnom mestu da bi se kasnije moglo koristiti.

Šta nikada ne treba raditi:

- Nemojte pokušavati da koristite aspirator bez filtera za masnoću niti ako su filteri previše zamašćeni!
- Nemojte postavljati aspirator iznad šporeta sa jakim efektom grila.
- Nemojte ostavljati tiganj bez nadzora dok ga koristite jer se vrela mast ili ulje mogu zapaliti.
- Nikada nemojte ostavljati otvoreni plamen ispod aspiratora.



- Ako je aspirator oštećen nemojte pokušavati da ga koristite.
- Nemojte flambirati jela ispod aspiratora.
- OPREZ: Prilikom korišćenja kuhinjskih aparata pristupačni delovi aspiratora mogu postati vreli.
- Minimalna udaljenost između površine za kuvanje na šporetu i najnižeg dela aspiratora. (Kada se aspirator nalazi iznad uređaja na kom se koristi plin, udaljenost treba da bude najmanje 65 cm)
- Vazduh ne sme biti ispuštan kroz otvor koji se koristi za odvod dima iz uređaja na gas ili druga goriva.



Šta uvek treba uraditi:

- **Važno!** Tokom montaže i održavanja, kao što je na primer prilikom zamene sijalice, uvek isključite napajanje.
- Aspirator mora biti postavljen u skladu sa uputstvima za montažu i moraju se ispoštovati sve mere.
- Celokupnu montažu mora izvršiti za to osposobljena osoba ili kvalifikovani električar.
- Molimo vas da materijal u kom je aspirator bio zapakovan pažljivo odložite. Opasan je za decu.
- Obratite pažnju na oštre ivice aspiratora, naročito tokom montaže i čišćenja.
- Kada se aspirator nalazi iznad uređaja na kom se koristi plin, minimalna udaljenost između površine za kuvanje na šporetu i najnižeg dela aspiratora mora biti:
Šporeti na plin: 75 cm
Električni šporeti: 65 cm
Šporeti na uglj ili naftu: 75 cm
- Postarajte se da crevo ne bude savijeno manje od 90 stepeni jer to smanjuje efikasnost aspiratora.
- **Upozorenje:** Propust da se zavrtnji i delovi za pričvršćivanje koriste u skladu sa ovim uputstvima može prouzrokovati udar struje

Šta uvek treba uraditi:

- Kada koristite šporet na plin uvek stavljajte poklopce na šerpe i tiganje.
- Kada je u režimu izvlačenja, aspirator izvlači vazduh iz prostorije. Proverite da li su ispoštovane sve mere za ventilaciju. Aspirator uklanja neprijatne mirise iz prostorije ali ne i paru.
- Aspirator je samo za kućnu upotrebu.



- Ako je napojni kabl oštećen, mora ga zameniti proizvođač, osoba koju proizvođač za to koristi ili osoblje koje je za to obučeno, kako bi se sprečile nezgode.
- Ovaj uređaj smeju koristiti deca od 8 i više godina, kao i osobe čije su fizičke, čulne ili mentalne sposobnosti smanjene ili kojima nedostaje iskustvo i znanje ukoliko im se obezbedi odgovarajući nadzor ili uputstvo o bezbednom korišćenju ovog uređaja i ukoliko su upoznati s potencijalnim opasnostima. Deca se ne smeju igrati ovim uređajem. Čišćenje i održavanje ne treba da obavljaju deca bez nadzora.



- **Upozorenje:** Pre pristupa terminalima sva strujna kola treba da budu isključena.

Šta uvek treba uraditi:

- **Oprez:** Tokom rada ovaj uređaj i njegovi pristupačni delovi mogu postati vreli. Pazite da ne dotičete grejne elemente. Deci ispod 8 godina starosti ne treba dozvoliti pristup osim ako su pod konstantnim nadzorom.
- Kada aspirator radi u isto vreme kad i uređaji na plin ili druga goriva, u prostoriji treba da ima dovoljno ventilacije.
- Ukoliko se čišćenje ne obavlja u skladu sa uputstvima, postoji opasnost od požara.
- Mora biti udovoljeno propisima koji se odnose na izvlačenje vazduha.
- Uređaj čistite periodično na način opisan u poglavlju ODRŽAVANJE.
- Iz bezbednosnih razloga koristite samo one zavrtnje za pričvršćivanje ili montiranje koji su istih mera koje su preporučene u ovom uputstvu.
- Što se tiče detalja o načinu i učestalosti čišćenja, pogledajte u ovom priručniku deo o održavanju i čišćenju.
- Čišćenje i održavanje ne treba da obavljaju deca bez nadzora.
- Kada aspirator radi istovremeno sa uređajima koji koriste energiju koja nije električna, negativni pritisak u prostoriji ne sme preći 4 Pa (4 x 10⁻⁵ bara).
- **UPOZORENJE:** Opasnost od požara: ne odlažite predmete na površine za kuvanje.
- Ne sme se koristiti parni čistač.
- **NIKADA** nemojte pokušavati da ugasisite požar vodom već isključite uređaj i pokrijte plamen na primer poklopcem ili protivpožarnim prekrivačem.

MONTAŽA (SPOLJNA VENTILACIJA)

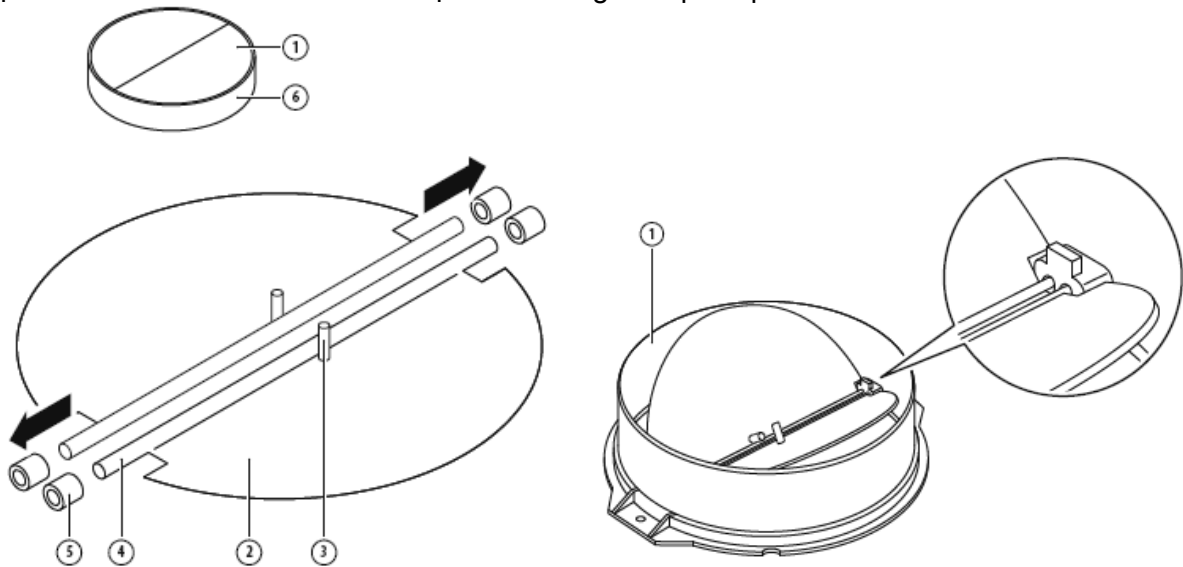
MONTAŽA V-POKLOPCA

**Opcioni dodatak se isporučuje samo sa nekim modelima.*

Ako aspirator nema ugrađen V-poklopac 1, treba da montirate njegova dva dela na kućište. Na slikama se vidi samo primer toga kako montirati V-poklopac, otvor se može razlikovati u zavisnosti od modela i konfiguracije.

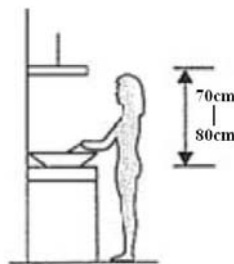
Da bi se montirao V-poklopac 1 potrebno je uraditi sledeće:

- Postavite dva dela označena brojem 2 na kućište označeno brojem 6
- pin označen brojem 3 treba da bude okrenut na gore;
- osovina označena brojem 4 treba da bude ubačena u rupe na kućištu označene brojem 5;
- ponovite sve ove korake da biste postavili drugi deo poklopca

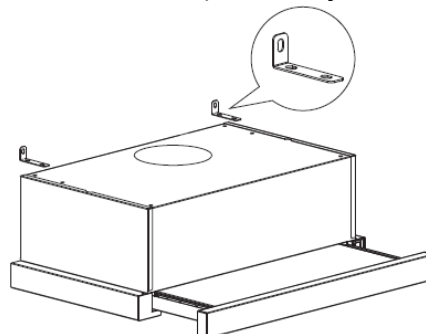


MONTAŽA (Postavljanje na zid)

1. Odredite položaj rupa koje će se koristiti za kačenje aspiratora.

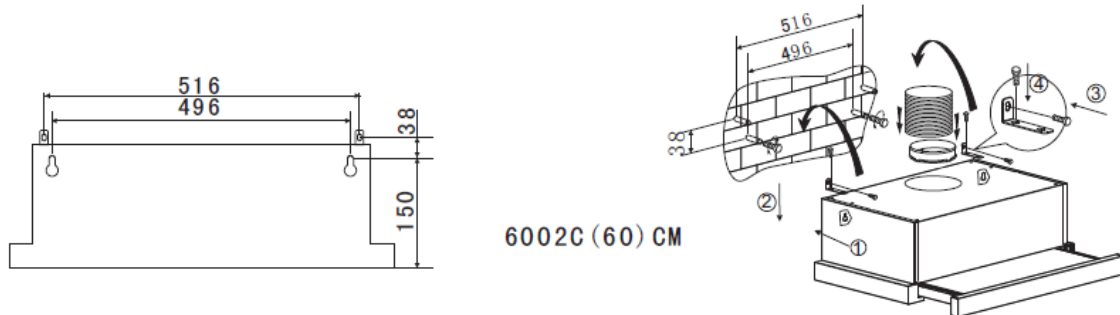


2. Koristeći dva zavrtnja (4 mm x 10 mm) montirajte nosač profila L na vrh aspiratora

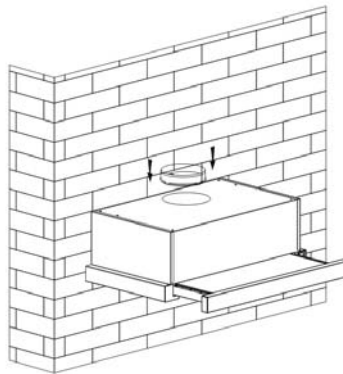


3. Aspirator se montira na zid pomoću 4 zavrtnja (4mm x 30mm) i tiplova.

Montirajte aspirator na zid tako što ćete zadnji deo aspiratora pričvrstiti za zid pomoću 2 zavrtnja (4mm x 30mm) i tiplova. Zatim, koristeći mali nosač profila L, pričvrstite aspirator za zid pomoću 2 zavrtnja (4mm x 30mm) i tiplova.

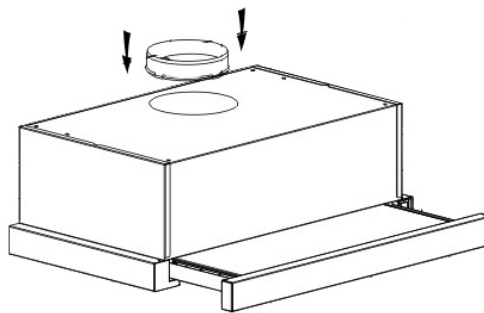


4. Pričvrstite nepovratni ventil na otvor za vazduh na aspiratoru.

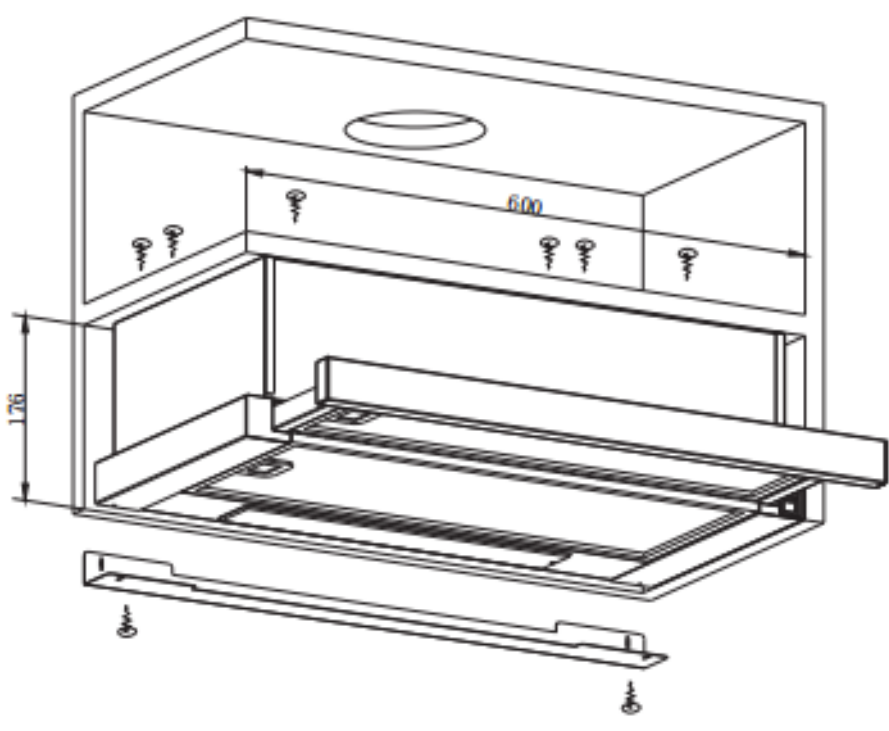
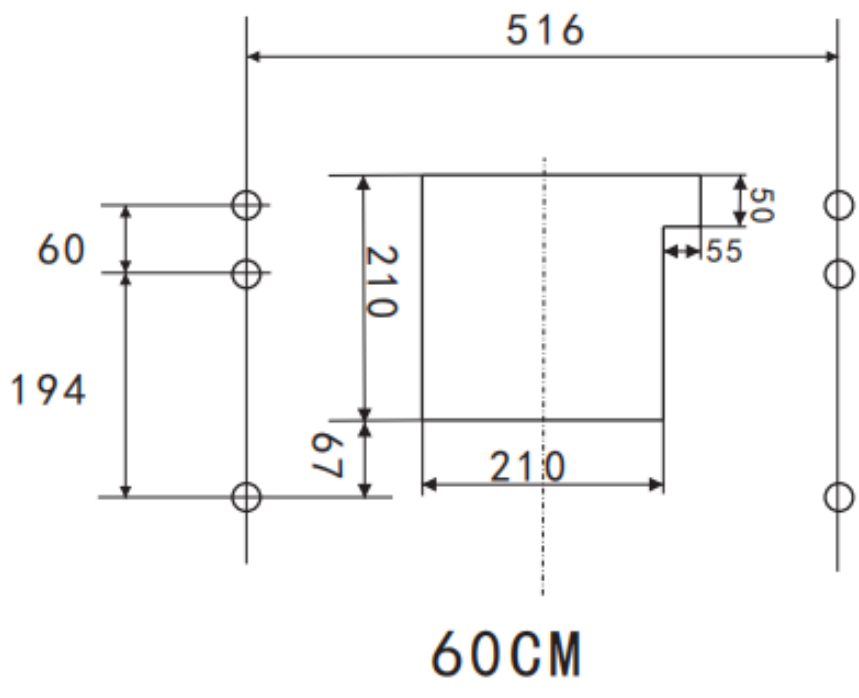


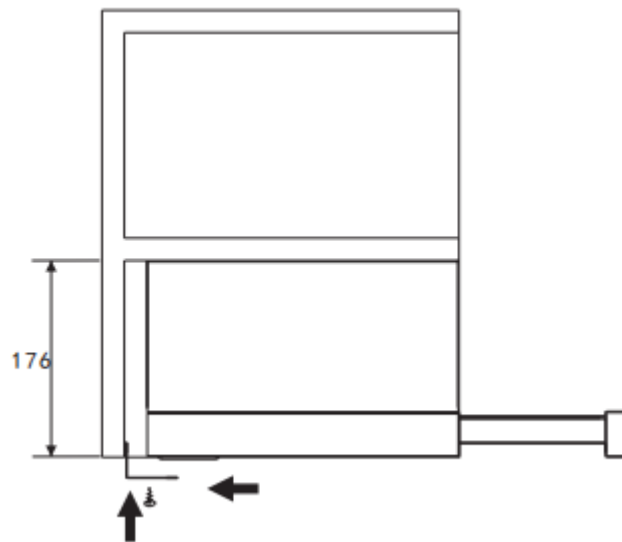
MONTAŽA (na viseći element)

1. Pričvrstite nepovratni ventil na otvor za vazduh na aspiratoru.



2. Montirajte aspirator na viseći element pomoću 6 zavrtnja (4 x 35mm) i podloški.





Ako između zida i aspiratora postoji prazan prostor, možete postaviti nosač profila L na donju površinu aspiratora pomoću dva zavrtnja (3 x 12mm). Postavljanje nosača profila L je stvar izbora.
Napomena: Produžno crevo se ne isporučuje s proizvodom.

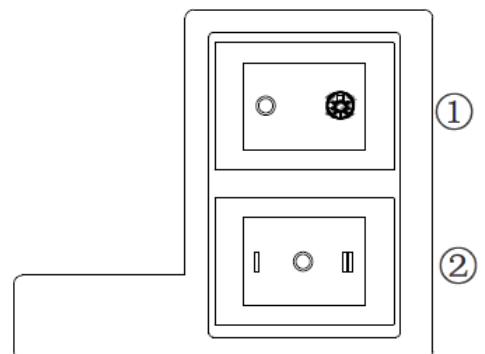
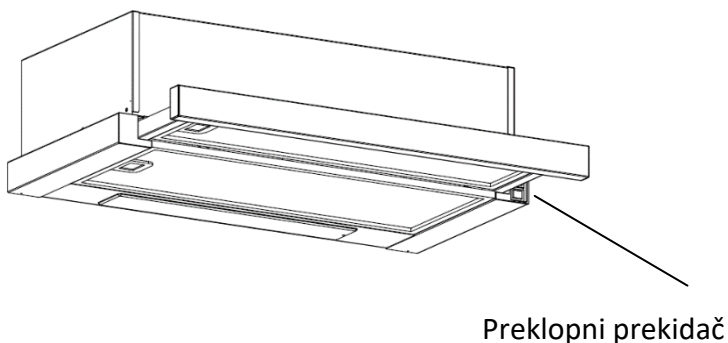
UPOZORENJE:



- Iz bezbednosnih razloga koristite samo one zavrtnje za pričvršćivanje ili montiranje koji su istih mera koje su preporučene u ovom uputstvu.
- Propust da se zavrtnji ili delovi za pričvršćivanje koriste u skladu sa ovim uputstvima može prouzrokovati udar struje.

Pokretanje aspiratora

Preklopni prekidač



1. Uključite utikač napojnog kabla u utičnicu.
2. Stavite prekidač ① na položaj , i lampica će se uključiti; stavite prekidač ① na položaj „0 ” i lampica će se isključiti.

3. Stavite prekidač ② na položaj „I, II “ i motor će raditi u dve brzine, „low, high “; stavite prekidač na položaj „0 “ i motor će se isključiti.
4. Napajanje uređaja će se aktivirati nakon izvlačenja prednjeg dela aspiratora. Vraćanjem prednjeg dela aspiratora u prvobitni položaj, napajanje će automatski prekinuti.

REŠAVANJE PROBLEMA

Kvar	Mogući uzrok	Rešenje
Svetlo svetli ali motor ne radi	Prekidač za ventilator je isključen	Postaviti prekidač za ventilator u odgovarajući položaj.
	Prekidač za ventilator ne radi	Stupiti u kontakt sa servisnim centrom.
	Motor ne radi	Stupiti u kontakt sa servisnim centrom.
Svetlo ne radi, motor ne radi	Problem s kućnim osiguračima	Vratiti/zameniti osigurače.
	Strujni kabl labav ili isključen	Ponovo staviti kabl u utičnicu. Uključiti utičnicu.
Curenje ulja	Nepovratni ventil i odvod nisu dobro zatvoreni	Skinuti nepovratni ventil i staviti zaptivač.
	Spoj između poklopca i odvoda propušta	Skinuti odvod i zatvoriti ga.
Svetla ne rade	Sijalice su pukle/neispravne	Zameniti sijalice u skladu sa ovim uputstvom.
Nedovoljno usisavanje	Udaljenost između aspiratora i grejne površine je prevelika	Podesiti aspirator na ispravnu udaljenost.
Aspirator je nagnut	Zavrtanj za pričvršćivanje nije dovoljno dotegnut	Dotegnuti zavrtanj kako bi aspirator stajao horizontalno.

NAPOMENA:



Svaka električna popravka ovog uređaja mora biti u skladu s vašim lokalnim i državnim zakonima. Pre nego što bilo šta od gore navedenog preduzmete stupite u kontakt sa servisnim centrom ukoliko niste sigurni oko nečega. Uvek isključite uređaj iz struje pre nego što ga otvorite.

ODRŽAVANJE I ČIŠĆENJE

Oprez:

- Pre održavanja ili čišćenja aspirator treba biti isključen iz struje. Zasičajte da je aspirator isključen i da je izvučen utikač.



- Spoljašnje površine su podložne ogrebotinama i oštećenjima i zato vas molimo da sledite uputstva za čišćenje kako biste postigli najbolje moguće rezultate bez oštećenja.

UOPŠTENO

Prilikom čišćenja i održavanja uređaj treba da bude hladan, naročito prilikom čišćenja. Nemojte ostavljati alkalne supstance ili kiseline (limunov sok, sirće itd.) na površinama.

NERĐAJUĆI ČELIK

Nerđajući čelik treba redovno čistiti (na primer sedmično) kako bi se produžio životni vek. Treba ga isušiti čistom mekom krpom. Može se koristiti tečnost posebno namenjena nerđajućem čeliku.

NAPOMENA:

Postarajte se da površine od nerđajućeg čelika brišete duž teksture kako biste sprečili pojavu ogrebotina koje nastaju kada se briše i uzduž i popreko.

POVRŠINA KONTROLNE TABLE

Unutrašnja kontrolna tabla se može očistiti toplom sapunicom. Pre čišćenja krpa treba da bude čista i dobro isceđena. Koristite suhu meku krpku kako biste pokupili preostalu vlagu nakon čišćenja.

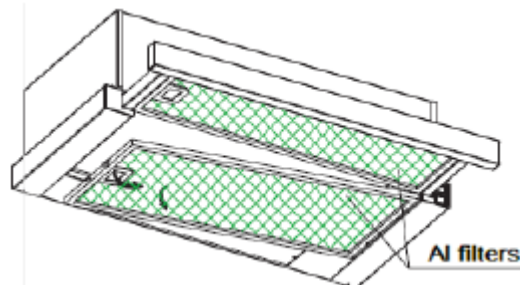
Važno

Koristite neutralne deterdžente i izbegavajte upotrebu jakih hemikalija za čišćenje, jakih deterdženata za domaćinstvo ili abrazivnih sredstava, jer to utiče na izgled uređaja i može ukloniti natpise na kontrolnoj tabli i zbog toga garancija proizvođača neće važiti.

MREŽASTI FILTERI ZA MASNOĆU

Mrežasti filteri se mogu ručno čistiti. Potopite ih na oko 3 minuta u vodu sa deterdžentom za skidanje masnoće a zatim ih nežno očistite mekom četkom. Nemojte previše pritiskati da biste izbegli oštećenja. (Ostavite ih da se sami osuše van direktne sunčeve svetlosti)

Filtere treba prati odvojeno od posuđa i kuhinjskog pribora. Preporučujemo da ne koristite sredstvo za ispiranje.



MONTIRANJE MREŽASTIH FILTERA ZA MASNOĆU

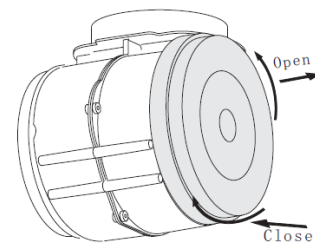
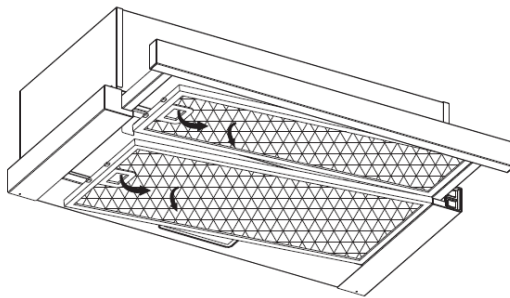
- Montaža filtera u četiri koraka.
- Postavite filter u svoje ležište u zadnjem delu aspiratora.
- Pritisnite bravicu koja se nalazi na filteru.

- Kada ste filter postavili u njegovo ležište oslobodite bravicu.
- Ponovite postupak dok ne montirate sve filtere.

UGLJENI FILTER se ne isporučuje sa uređajem

Aktivni ugljeni filter se može koristiti za otklanjanje neprijatnih mirisa. Obično se aktivni ugljeni filter treba menjati na svakih tri do šest meseci u zavisnosti od toga koliko često kuvate. Procedura montiranja aktivnog ugljenog filtera je navedena ispod.


- (1) Izvucite prednji deo aspiratora.
- (2) Najpre treba skinuti aluminijumski filter. Pritisnite bravicu i povucite nadole.
- (3) Izvadite ugljeni filter tako što ćete ga okrenuti suprotno od smera kazaljke na satu.
- (4) Stavite novi ugljeni filter.



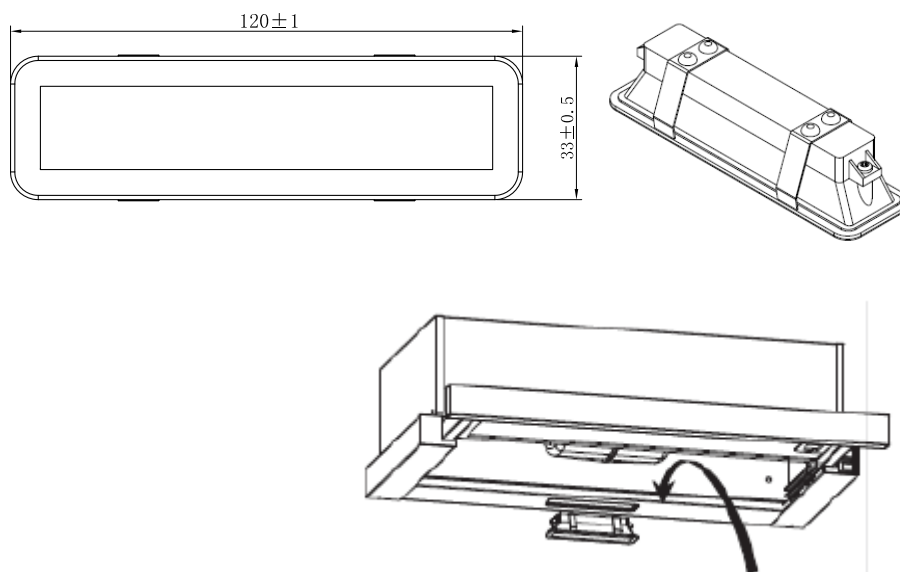
NAPOMENA:

- Filter treba da bude dobro pričvršćen. U suprotnom će se olabaviti i to može predstavljati opasnost.
- Kada se aktivni ugljeni filter prikači, usisna snaga će biti manja.

ZAMENA SIJALICE

<p>Važno:</p> 	<ul style="list-style-type: none"> ✧ Sijalicu mora menjati proizvođač, njegov ovlašćeni serviser ili neka druga kvalifikovana osoba. ✧ Pre svakog rada na uređaju uvek treba isključiti napajanje. Kada rukujete sijalicom, pre svakog direktnog kontakta rukama sijalica mora biti potpuno hladna. ✧ Sijalicu treba držati krpom i li rukavicama kako znoj ne bi došao u kontakt sa sijalicom jer se time smanjuje njen životni vek.
--	--

- (1) Isključite mašinu i izvucite utikač.
- (2) Izvucite prednji deo aspiratora.
- (3) Najpre treba skinuti aluminijumski filter. Pritisnite bravicu i povucite nadole.
- (4) Stavite istu vrstu osvetljenja: 110-240V~50Hz, MAX. 2W LED
 - ILCOS D kod za ovu lampu je: DBS-2/65-H-120/33.
 - Maksimalna snaga: 1X2 W
 - Opseg napona: AC 110-240V
 - Dimenzije:



ZAŠTITA ŽIVOTNE SREDINE:



Ovaj uređaj je označen u skladu sa Evropskom direktivom 2012/19/EU o propisima o otpadnoj električnoj i elektronskoj opremi iz 2013. godine koji se odnose na električne i elektronske uređaje (WEEE). OEEO obuhvata i zagađujuće materije (koje mogu imati negativne posledice po okolinu) i osnovne komponente (koje se mogu ponovo koristiti). Važno je da se OEEO podvrgne posebnim tretmanima, u cilju pravilnog otklanjanja i odlaganja svih zagađivača, kao i vraćanju i recikliranju svih materijala. Svaki pojedinac može pomoći da se obezbedi da OEEO ne postane problem u procesu zaštite životne sredine; od ključnog je značaja pridržavati se nekih osnovnih pravila:

- OEEO se ne sme tretirati kao kućni otpad;
- OEEO se predaje mestima nadležnim za prikupljanje takvog otpada kojima upravljaju opština ili registrovana preduzeća.

U mnogim zemljama, za velike OEEO postoji sakupljanje kod kuće. Kada kupite novi uređaj, stari možete da vratite prodavcu koji je u obavezi da ga preuzme besplatno na bazi jedan-za-jedan, sve dok je oprema odgovarajućeg tipa i ima iste funkcije kao isporučena oprema.

NAPOMENA:

Kako smanjiti ukupan uticaj na životnu sredinu (na primer potrošnja energije).

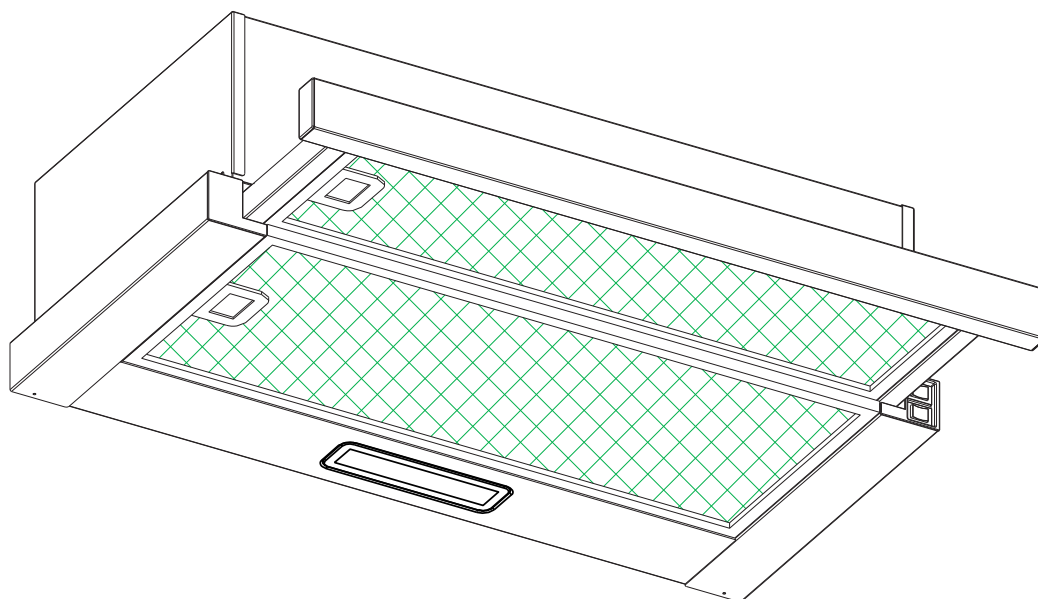
- (1) Montirajte aspirator na odgovarajuće mesto gde je dobra ventilacija.
- (2) Redovno čistite aspirator kako protok vazduha ne bi bilo blokiran.
- (3) Ne zaboravite da isključite svetlo aspiratora nakon kuvanja.
- (4) Ne zaboravite da isključite aspirator nakon kuvanja.

INFORMACIJE ZA RASKLAPANJE

Nemojte rasklapati uređaj drugačije od načina koji je naveden u ovom uputstvu. Uređaj ne treba da rasklapa korisnik. Na kraju životnog veka, uređaj se ne sme odlagati zajedno s kućnim otpadom. Što se tiče recikliranja posavetujte se s lokalnim nadležnima ili zastupnikom.

Hotă de aragaz

Manual de instrucțiuni



Cuprins

1	Instrucțiuni de siguranță
2	Instalare
3	Începeți să folosiți hota de aragaz
4	Depanare
5	Întreținere și curățare
6	Protecția mediului

INSTRUCȚIUNI DE SIGURANȚĂ

Acest manual explică instalarea și utilizarea corectă a hotei aragazului dvs., vă rugăm să îl citiți cu atenție înainte de utilizare, chiar dacă sunteți familiarizat cu produsul. Manualul trebuie păstrat într-un loc sigur pentru consultări ulterioare.

Niciodată de făcut:

- Nu încercați să utilizați hota de aragaz fără filtrele de grăsime sau dacă filtrele sunt excesiv de unsuroase!
- Nu instalați deasupra unui aragaz cu grătar foarte înalt.
- Nu lăsați tigăile nesupravegheate în timpul utilizării, deoarece grăsimile sau uleiurile supraîncălzite ar putea lua foc.
- Nu lăsați niciodată flăcări deschise sub hota de aragaz.



- Dacă hota de aragaz este deteriorată, nu încercați să o utilizați.
- Nu flambați sub hota de aragaz.
- **ATENȚIE:** Piesele accesibile pot deveni fierbinți atunci când sunt folosite cu aparatură de gătit.
- Distanța minimă dintre suprafața de sprijin pentru vasele de gătit de pe plită și cea mai joasă parte a hotei de aragaz. (atunci când hota aragazului este situată deasupra unui aparat pe gaz, această distanță trebuie să fie de cel puțin 65 cm).
- Aerul nu trebuie evacuat într-un coș de fum care este utilizat pentru evacuarea fumului de la aparatele care ard gaz sau alți combustibili.



Întotdeauna de făcut:

- Important! Decuplați întotdeauna alimentarea cu curent în timpul montării și efectuării întreținerii, ca de exemplu la înlocuirea becului electric.
- Hota de aragaz trebuie instalată în conformitate cu instrucțiunile de instalare și toate măsurătorile trebuie respectate.
- Toate lucrările de instalare trebuie efectuate de o persoană competentă sau de un electrician calificat.
- Eliminați materialul de ambalare în mod responsabil. Acesta poate fi periculos pentru copii.
- Acordați atenție marginilor ascuțite din interiorul hotei de aragaz, în special în timpul instalării și curățării.
- Atunci când hota este amplasată deasupra unui aparat cu gaz, distanța minimă dintre suprafața de sprijin pentru vasele de gătit de pe plită și partea cea mai joasă a hotei trebuie să fie:

aragazuri cu gaz:	75 cm
aragazuri electrice:	65 cm
aragazuri care funcționează pe cărbuni sau ulei:	75 cm
- Asigurați-vă că conducta nu are coturi mai ascuțite de 90 de grade, deoarece acest lucru va reduce eficiența hotei de aragaz.
- Avertizare: Dacă șuruburile sau dispozitivele de prindere nu sunt montate în conformitate cu aceste instrucțiuni, apar pericolele cauzate de electricitate

Întotdeauna de făcut:

- Puneți întotdeauna capace pe oale și tigăi atunci când gătiți pe un aragaz cu gaz.
- Atunci când este în modul de extracție, aerul din cameră este eliminat de hota de aragaz. Verificați să se respecte măsurile corespunzătoare de ventilație. Hota elimină mirosurile din încăperea, dar nu și aburul.
- Hota de aragaz este numai pentru uz casnic.



- În cazul în care cablul de alimentare este deteriorat, acesta trebuie înlocuit de producător, agentul de service sau de persoane calificate în mod similar pentru a evita un pericol.
- Acest aparat poate fi utilizat de copii cu vârstă de cel puțin opt ani și de persoane cu abilități fizice, senzoriale sau mentale reduse sau lipsite de experiență și cunoștințe dacă sunt supravegheate sau instruite cu privire la utilizarea în siguranță a aparatului și dacă înțeleg pericolele aferente. Este interzis copiilor să se joace cu acest aparat. Curățarea și întreținerea de către utilizator nu se efectuează de către copii fără supraveghere.



- Avertizare: Înainte de a obține accesul la borne, toate circuitele de alimentare trebuie deconectate.

Întotdeauna de făcut:

- **Atenție:** Aparatul și piesele accesibile pot deveni fierbinți în timpul funcționării. Evitați să atingeți elementele de încălzire. Copiii mai mici de 8 ani ar trebui să stea departe de aparat, cu excepția cazului în care sunt supravegheați permanent.
- Trebuie să existe o ventilație adecvată a încăperii atunci când hota de aragaz este utilizată în același timp cu aparatele consumatoare de gaz sau alți combustibili.
- Există riscul de incendiu dacă curățarea nu se efectuează în conformitate cu instrucțiunile.
- Reglementările privind evacuarea aerului trebuie să fie respectate.
- Curățați periodic aparatul urmând metoda prezentată în capitolul ÎNTREȚINERE.
- Din motive de siguranță, utilizați numai șuruburi de prindere sau de fixare de aceeași dimensiune cu cele recomandate în acest manual de instrucțiuni.
- În ceea ce privește detaliile despre metoda și frecvența curățării, consultați secțiunea de întreținere și curățare din manualul de instrucțiuni.
- Curățarea și întreținerea de către utilizator nu se efectuează de către copii fără supraveghere.
- Atunci când hota de aragaz și aparatele alimentate cu alt tip de energie decât cea electrică sunt simultan în funcțiune, presiunea negativă din încăperea nu trebuie să depășească 4 Pa (4×10^{-5} bari).
- **AVERTIZARE:** Pericol de incendiu: nu depozitați articole pe suprafețele de gătit.
- **NU** trebuie utilizat un aparat de curățat cu abur.
- **NU** încercați NICIODATĂ să stingeți un incendiu cu apă, ci opriți aparatul și apoi acoperiți flacăra, de exemplu cu un capac sau o pătură ignifugă.

MONTARE (VENTILARE ÎN EXTERIOR)

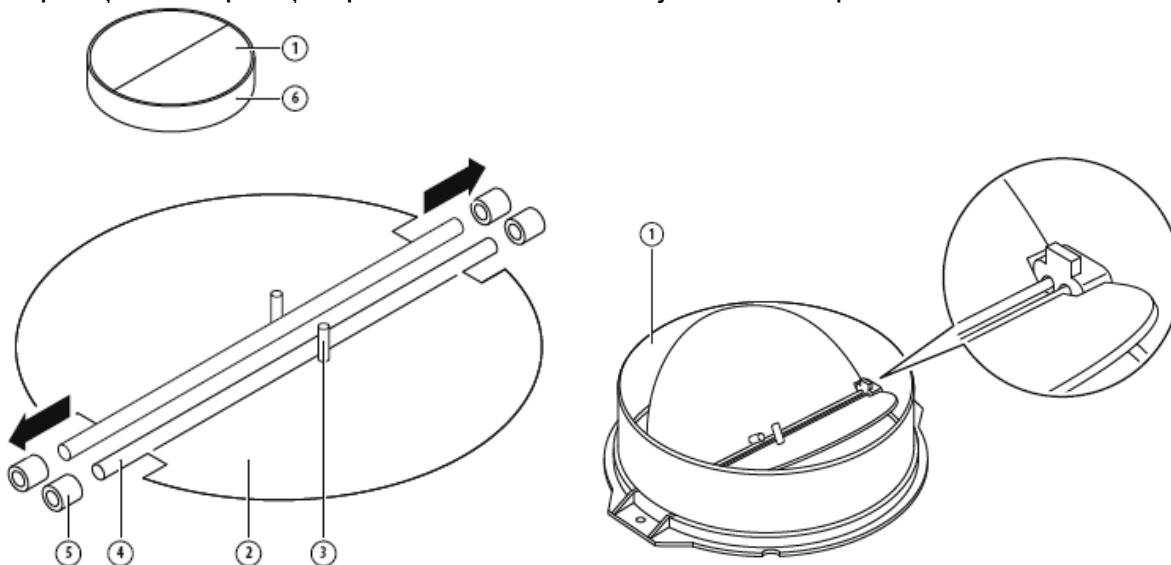
MONTAREA CLAPETEI ÎN V

**Accesoriu optional furnizat numai cu unele modele.*

În cazul în care hota de aragaz nu are o clapetă în V 1 asamblată, trebuie să montați jumătățile de piese pe corpul acesteia. Imaginile arată doar un exemplu de montare a clapetei în V, orificiul de ieșire poate varia în funcție de diferitele modele și configurații.

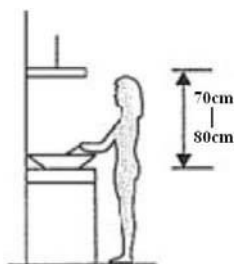
Pentru a monta clapeta în V 1, trebuie să:

- montați două jumătăți de piesă 2 în corpul 6
- bolțul 3 ar trebui să fie orientat în sus;
- axa 4 trebuie să fie introdusă în găurile 5 de pe corp;
- repetați toate operațiile pentru cea de-a doua jumătate de parte

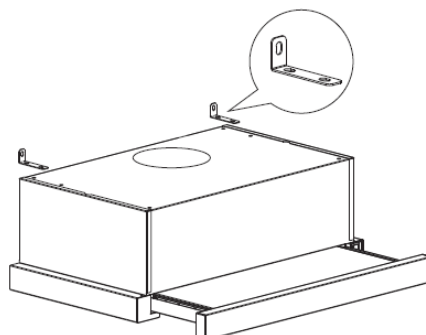


INSTALARE (Montare pe perete)

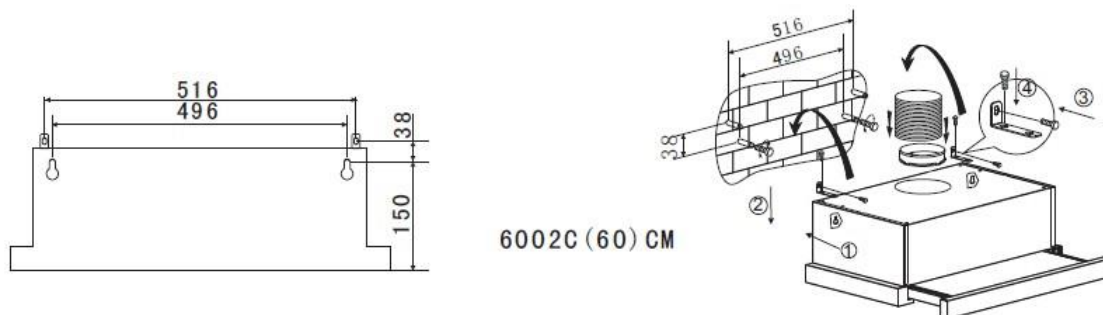
1. Decideți locația orificiilor pentru fixarea hotei de aragaz.



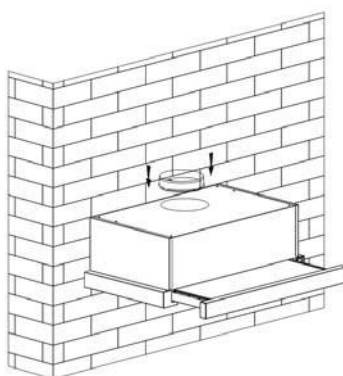
2. Instalați suportul în formă de L pe partea superioară a hotei cu ajutorul a două șuruburi (4 mm x 10 mm)



- Hota de aragaz se montează pe perete cu ajutorul a 4 șuruburi (4 mm x 30 mm) și a diblurilor de perete. Montați hota de aragaz pe perete, fixând partea din spate a hotei cu ajutorul a 2 șuruburi (4 mm x 30 mm) și a diblurilor de perete. Apoi, fixați hota de aragaz pe perete cu ajutorul a 2 șuruburi (4 mm x 30 mm) și cu dibluri de perete prin suportul mic în formă de L.

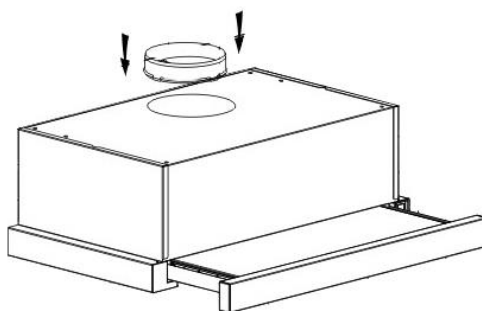


- Fixați supapa unidirecțională la orificiul de evacuare a aerului al hotei de aragaz.

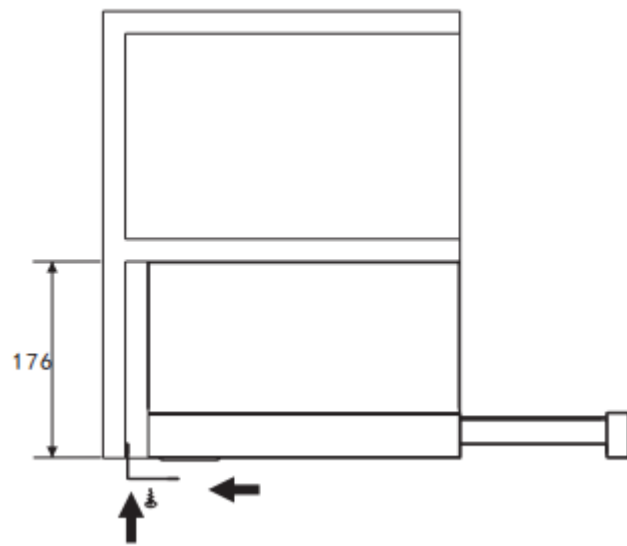
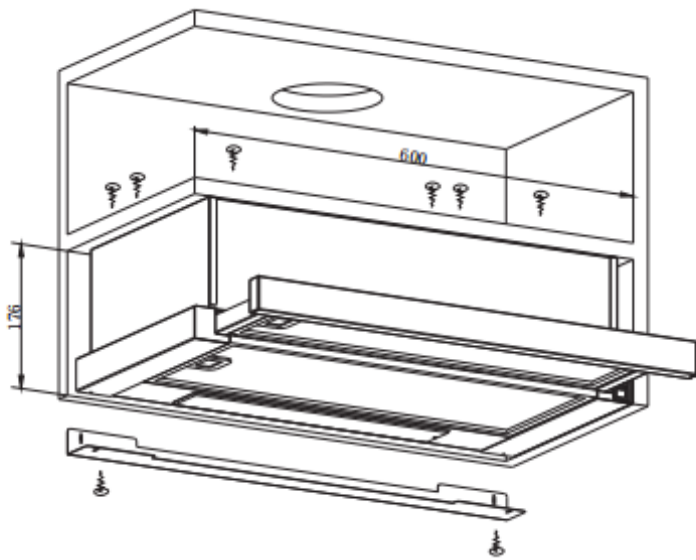
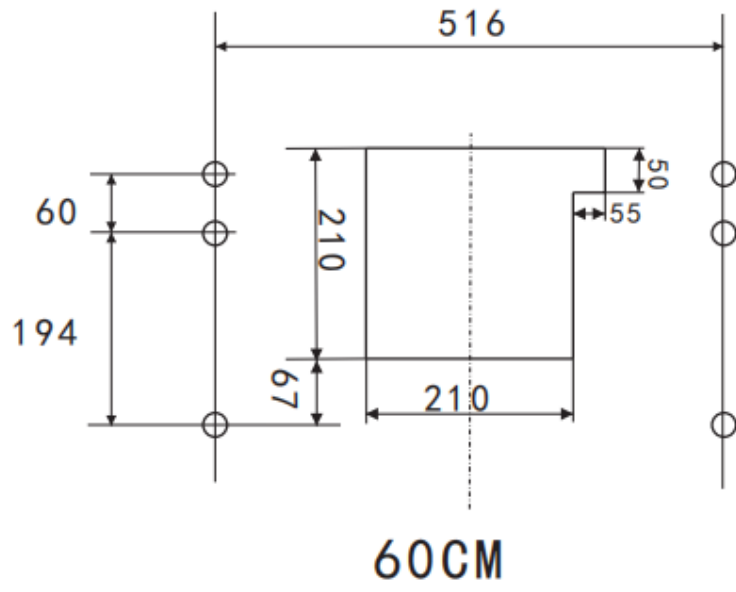


INSTALARE (Montare pe dulap)


- Fixați supapa unidirecțională la orificiul de evacuare a aerului al hotei de aragaz.



- Montați hota de aragaz pe dulap cu ajutorul a 6 șuruburi (4 x 35 mm) și șaibe plate.

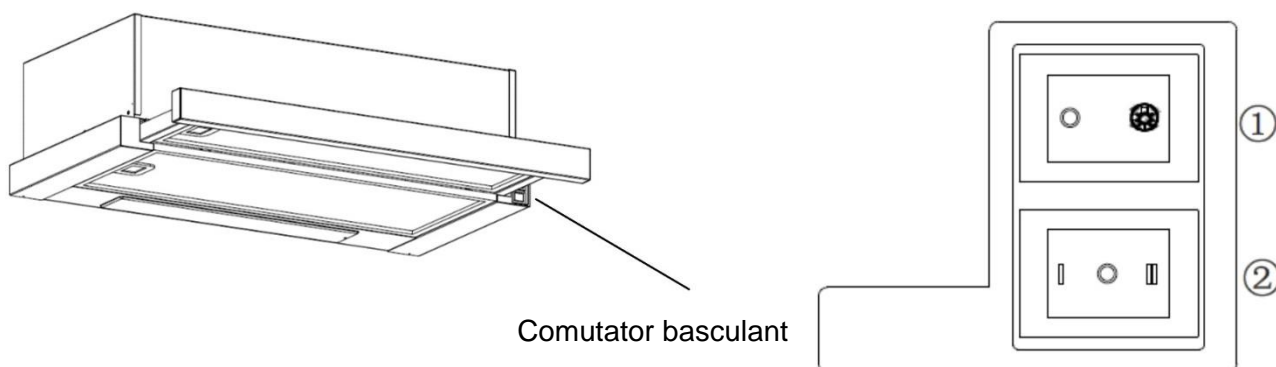


Dacă există un spațiu între perete și hota de aragaz, puteți instala suportul în formă de L pe partea inferioară a hotei cu ajutorul a două șuruburi (3 x 12 mm). Instalarea suportului în formă de L este opțională. Observație: Țeava de expansiune nu este inclusă în produs.

<p>AVERTIZARE:</p> 	<ul style="list-style-type: none">➤ Din motive de siguranță, utilizați numai șuruburi de prindere sau de fixare de aceeași dimensiune cu cele recomandate în acest manual de instrucțiuni.➤ Neinstalarea șuruburilor sau a dispozitivului de fixare în conformitate cu aceste instrucțiuni poate duce la apariția unor pericole de natură electrică.
--	---

Începeți să utilizați hota de aragaz

Comutator basculant



3. Introduceți fișa de alimentare în priză.
4. Apăsați comutatorul ① la, becul se va aprinde; apăsați comutatorul ① la „0”, becul se va stinge.
5. Apăsați comutatorul ② în poziția „I, II”, motorul va funcționa cu două viteze „joasă”, ridicată, apăsați pe poziția „0”, motorul se va opri.
6. Alimentarea cu energie electrică va fi conectată atunci când scoateți panoul frontal. Sau invers, alimentarea cu energie electrică va fi deconectată automat.

REMEDIEREA DEFECȚIUNILOR

Defecțiune	Cauze posibile	Soluție
Lumină aprinsă, dar motorul nu funcționează	Comutator ventilator oprit	Selectați o poziție de comutare ventilator.
	Comutator ventilator defect	Contactați centrul de service.
	Motorul s-a defectat	Contactați centrul de service.
Lumina nu funcționează, motorul nu funcționează	Siguranțele casei sunt arse	Resetați/Înlocuiți siguranțele.
	Cablu de alimentare slăbit sau deconectat	Remontați cablul la priza de alimentare. Porniți comutatorul de alimentare.
Scurgere de ulei	Supapa cu o singură cale și orificiul de evacuare nu sunt etanșe	Demontați supapa cu o singură cale și sigilați cu agent de etanșare.
	Scurgere de la racordul coșului de fum și capac	Coboară hornul și sigilează-l.
Luminile nu funcționează	Globuri sparte/defecte	Înlocuiți globurile conform acestei instrucțiuni.
Aspirație insuficientă	Distanța dintre hota de aragaz și partea superioară a aragazului este prea mare	Remontați hota aragazului la distanța corectă.
Hota aragazului înclină	Șurubul de fixare nu este suficient de strâns	Strângeți șurubul de fixare și lăsați-l orizontal.



OBSERVAȚIE:

Orice reparații electrice la acest aparat trebuie să fie în conformitate cu legile locale, de stat și federale. Contactați centrul de service dacă aveți îndoieli înainte de a întreprinde oricare dintre cele de mai sus. Întotdeauna deconectați unitatea de la sursa de alimentare atunci când o deschideți.

ÎNTREȚINERE ȘI CURĂȚARE

Atenție:

- Înainte de efectuarea întreținerii sau curățării, hota aragazului trebuie deconectată de la sursa principală de alimentare. Asigurați-vă că hota de aragaz este decuplată de la priza de perete și că fișa este scoasă.
- Suprafețele externe sunt susceptibile la zgârieturi și abraziuni, așadar trebuie să urmați instrucțiunile de curățare pentru a vă asigura că obțineți cel mai bun rezultat posibil fără deteriorări.



GENERALITĂȚI

Curățarea și întreținerea trebuie efectuate când aparatul este rece, în special curățarea. Evitați să lăsați substanțe alcaline sau acide (suc de lămâie, oțet etc.) pe suprafețe.

OȚEL INOXIDABIL

Oțelul inoxidabil trebuie curățat în mod regulat (de exemplu, săptămânal) pentru a asigura o durată de viață îndelungată. Uscați-l cu o cârpă moale și curată. Se poate utiliza un fluid de curățare specializat pentru oțel inoxidabil.

OBSERVAȚIE:

Asigurați-vă că ștergerea se face împreună cu granulația oțelului inoxidabil pentru a preveni apariția oricăror modele inestetice de zgârieturi încrucișate.

SUPRAFAȚA PANOULUI DE CONTROL

Panoul de control al insertiei poate fi curățat cu apă caldă cu săpun. Asigurați-vă că materialul este curat și bine stors înainte de curățare. Utilizați o cârpă moale uscată pentru a îndepărta orice exces de umiditate rămas după curățare.

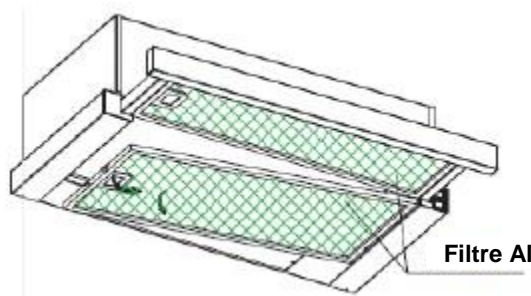
Important

Utilizarea detergenților neutri și evitarea utilizării substanțelor chimice de curățare dure, a detergenților de uz casnic puternici sau a produselor care conțin substanțe abrazive, deoarece acest lucru va afecta aspectul aparatului și poate elimina orice grafică de pe panoul de control și va anula garanția producătorului.

FILTRE CU SITĂ PENTRU GRĂSIMI

Filtrele cu sită pot fi curățate manual. Înmuiați-le timp de aproximativ 3 minute în apă cu un detergent de dizolvare a grăsimii, apoi periați-le ușor cu o perie moale. Vă rugăm să nu aplicați prea multă presiune, evitați să o deteriorați (Lăsați să se usuce natural fără lumina directă a soarelui).

Filtrele trebuie spălate separat de veselă și de ustensilele de bucătărie. Se recomandă să nu se folosească lichid de clătire.



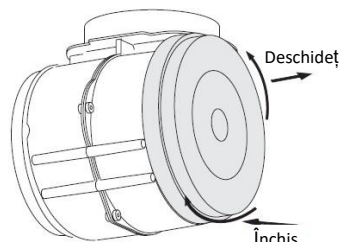
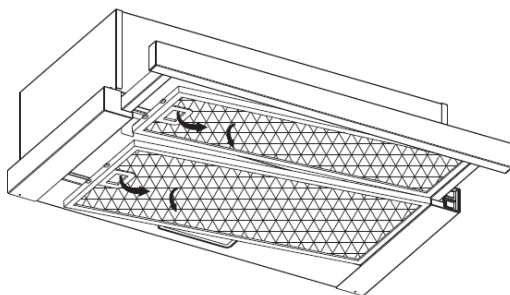
INSTALAREA FILTRELOR CU SITĂ PENTRU GRĂSIMI

- Pentru a instala filtre pentru următorii patru pași.
- Unghiul filtrului în fantele din partea din spate a hotei.
- Apăsăți butonul de pe mânerul filtrului.
- Eliberați mânerul odată ce filtrul se potrivește într-o poziție de repaus.
- Repetați pentru a instala toate filtrele.

FILTRU DE CARBON - nu este furnizat

Filtrul de carbon activ poate fi folosit pentru a evacua mirosurile nedorite. De regulă, filtrul de carbon activ trebuie schimbat la trei sau șase luni, în funcție de cât de des gătiți. Procedura de instalare a filtrului de carbon activ este prezentată mai jos.

- (1) Glisați partea frontală a hotei de aragaz.
- (2) Trebuie să desprindeți mai întâi filtrul al. Apăsăți pe sistemul de închidere și trageți-l în jos.
- (3) Scoateți filtrul de carbon prin rotirea filtrului de carbon spre stânga.
- (4) Înlocuiți cu noul filtru de carbon.



OBSERVAȚIE:

- Asigurați-vă că filtrul este bine fixat. În caz contrar, s-ar slăbi și ar provoca pericole.
- Atunci când se montează filtrul de carbon activ, puterea de aspirare va fi redusă.

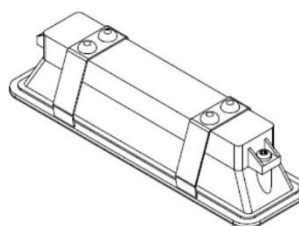
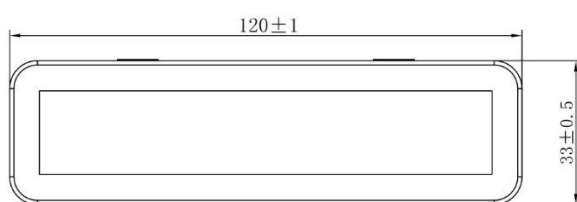
ÎNLOCUIREA BECULUI

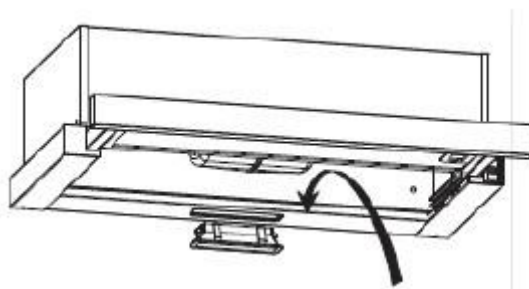
Important!



- ✧ Becul trebuie înlocuit de producător, de agentul său de service sau de persoane cu calificări similare.
- ✧ Opriți întotdeauna alimentarea cu energie electrică înainte de a efectua orice operațiuni asupra aparatului. Când manipulați becul, asigurați-vă că este complet răcit înainte de orice contact direct cu mâinile.
- ✧ Când manipulați globuri, țineți-le cu o cârpă sau mănuși pentru a vă asigura că transpirația nu vine în contact cu globul, deoarece acest lucru poate reduce durata de viață a globului.

- (1) Opriți aparatul și scoateți-l din priză.
- (2) Glisați partea frontală a hotei de aragaz.
- (3) Trebuie să desprindeți mai întâi filtrul al. Apăsăți pe sistemul de închidere și trageți-l în jos.
- (4) Înlocuiți cu același tip de lumină LED DE 110-240 V~50 Hz, MAX.2 W
 - Codul ILCOS D pentru acest bec este: DBS-2/65-H-120/33.
 - Putere maximă: 2 W
 - Interval de tensiune: AC 110–240 V
 - Dimensiuni:





PROTECTIA MEDIULUI:



Prezentul aparat este etichetat în conformitate cu Directiva europeană 2012/19/UE privind echipamentele electrice și electronice (DEEE). DEEE conțin atât substanțe poluante (care pot avea un efect negativ asupra mediului) cât și elemente de bază (care pot fi refolosite). Este important ca DEEE să fie supuse unor tratamente specifice pentru a îndepărta și elimina corect elementele poluante și pentru a recupera toate materialele. Persoanele pot juca un rol important în asigurarea faptului că DEEE nu devin o problemă de mediu; este foarte important să se respecte câteva reguli de bază:

- DEEE nu trebuie tratate ca deșeuri menajere;
- DEEE trebuie duse în spații de colectare speciale, administrate de către consiliul local sau o companie înregistrată.

În numeroase țări, colectarea deșeurilor de la domiciliu poate fi disponibilă pentru DEEE mari. Atunci când cumpărați un aparat electrocasnic nou, cel vechi poate fi returnat vânzătorului care trebuie să îl accepte gratuit la schimb, în măsura în care acesta este de tip similar și are aceleași funcții cu aparatul cumpărat.

OBSERVAȚIE:

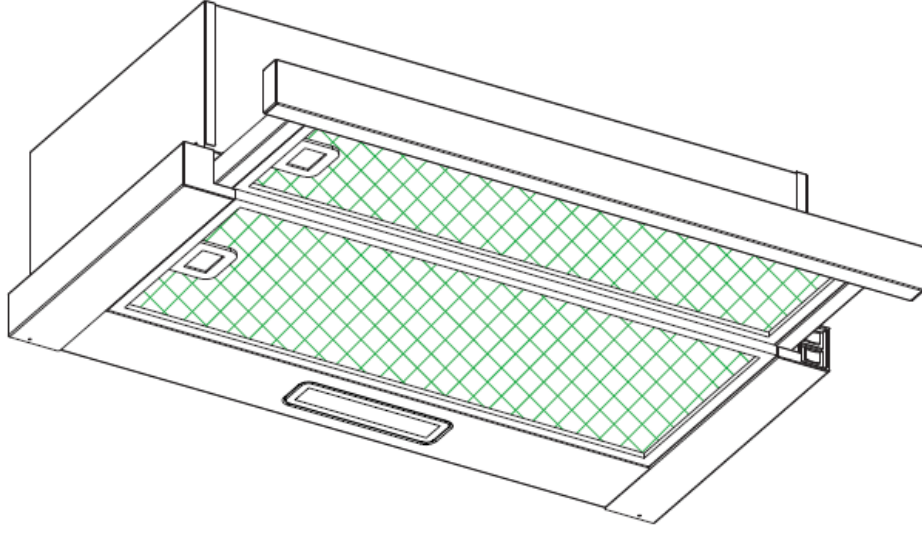
Mai jos puteți vedea cum se poate reduce impactul total asupra mediului (de ex. utilizarea energiei) al procesului de gătit.

- (1) Montați hota de aragaz într-un loc corespunzător, unde să existe o ventilație eficientă.
- (2) Curățați regulat hota, astfel încât să nu se blocheze căile de ventilație.
- (3) Nu uitați să stingeți becul de la hotă după ce gătiți.
- (4) Nu uitați să opriți hota după ce gătiți.

INFORMAȚII PRIVIND DEMONTAREA

Nu demontați aparatul în alt mod decât cel prezentat în manualul de utilizare. Aparatul nu poate fi demontat de către utilizator. La sfârșitul ciclului de viață, aparatul nu trebuie eliminat împreună cu deșeurile menajere. Solicitați sfatul autorităților locale sau ale colectoarelor.

شفاط الموقد دليل التعليمات



المحتويات

تعليمات السلامة	1
التركيب	2
بدء استخدام شفاط الموقد الخاص بك	3
استكشاف الأعطال وإصلاحها	4
الصيانة والتنظيف	5
حماية البيئة	6

تعليمات السلامة

يوضح هذا الدليل طريقة التركيب الصحيحة وطريقة استخدام شفاط الموقد الخاص بك، لذا يرجى قراءته بعناية قبل الاستخدام حتى وإن كنت على دراية بالمنتج. ويجب الاحتفاظ بالدليل في مكان آمن للرجوع إليه في المستقبل.

ابتعد دومًا عما يلي:

- لا تحاول استخدام شفاط الموقد دون فلتر الشحوم أو في حال تراكم الشحوم بإفراط على الفلاتر!
- لا تقم بتركيب الشفاط فوق موقد مُزوّد بشواية في مستوى عالٍ.
- لا تترك أواني القلي دون متابعة أثناء الاستخدام حيث يُمكن أن يتسبب تسخين الدهون والزيت بشكل مفرط في احتراقها.
- لا تترك أبدًا لهبًا مكشوفًا تحت شفاط الموقد.



- لا تحاول استخدام الشفاط في حال تعرضه للتلف.

- لا تُشعل النبيذ تحت شفاط الموقد.

- تنبيه: قد تصبح الأجزاء التي يمكن الوصول إليها ساخنة عند استخدامها مع أجهزة الطهي.

- الحد الأدنى للمسافة بين السطح الحامل لأوعية الطهي الموجود على لوح الموقد والجزء السفلي لشفاط الموقد. (عند وضع شفاط الموقد فوق جهاز يعمل بالغاز، يجب ألا تقل المسافة عن 65 سم)

- يجب عدم تفرغ الهواء عبر مصرف الغازات المستخدم لإخراج أدخنة عادم الأجهزة التي تعمل بالغاز أو أنواع الوقود الأخرى.



حافظ دومًا على ما يلي:

- مهم! احرص دومًا على فصل مصدر الكهرباء من المصدر الرئيسي أثناء إجراء أعمال التركيب والصيانة مثل استبدال المصباح الكهربائي.
- يجب تركيب شفاط الموقد وفقًا لتعليمات التركيب والمقاييس المتبعة.
- ينبغي قيام شخص مختص أو فني كهربائي مؤهل بإجراء جميع التركيبات.
- يُرجى التخلص من مواد التغليف بعناية. قد يتعرض الأطفال للخطر بسببها.
- احترس من الحواف الحادة الموجودة بداخل شفاط الموقد ولا سيما أثناء التركيب والتنظيف.
- عند تركيب شفاط الموقد أعلى جهاز يعمل بالغاز، يجب أن تكون المسافة بين السطح الحامل لأوعية الطهي على لوح الموقد والجزء السفلي لشفاط الموقد كما يلي:
مواقد الغاز: 75 سم
مواقد الكهرباء: 65 سم
مواقد الفحم أو النفط: 75 سم
- تحقق من أن القنوات لا تحتوي على انحناءات أكثر حدة من 90 درجة حيث إن ذلك سيقال من كفاءة شفاط الموقد.
- تحذير!: قد يؤدي عدم تركيب البراغي أو تثبيت الجهاز وفقًا لهذه التعليمات إلى التعرض لمخاطر كهربية

حافظ دومًا على ما يلي:

- احرص دائمًا على وضع أغطية على الأواني والمقالي عند الطهي على مواقد غاز.
- في وضع الإخراج، يتم طرد الهواء من الغرفة بواسطة شفاط الموقد. ولذا يُرجى التأكد من مراعاة تدابير التهوية المناسبة. يطرد شفاط الموقد الروائح من الغرفة ولا يطرد البخار.
- شفاط الموقد غير مخصص سوى للاستعمال المنزلي.



- في حالة تلف كابل الإمداد، يجب استبداله من جانب الشركة المصنعة أو وكيل الصيانة التابع لها أو غيرهم من الأشخاص المؤهلين من أجل تفادي التعرض للخطر.
- يُمكن أن يستخدم هذا الجهاز الأطفال البالغة أعمارهم 8 سنوات أو أكثر والأشخاص الذين يعانون نقصًا في القدرات البدنية، أو الحسية، أو العقلية، أو الأشخاص الذين لديهم نقص في الخبرة أو المعرفة إذا خضعوا للإشراف أو قُدمت لهم تعليمات بشأن استخدام الجهاز بطريقة آمنة وكان لديهم فهم للمخاطر التي ينطوي عليها. يجب ألا يلعب الأطفال بالجهاز. ينبغي عدم قيام الأطفال بالتنظيف وأعمال صيانة المستخدم دون إشراف.



- تحذير: قبل الوصول إلى الأطراف، يجب فصل جميع دوائر الإمداد.

حافظ دومًا على ما يلي:

- تنبيه: يمكن أن يصبح الجهاز وأجزاؤه التي يمكن الوصول إليها ساخنة أثناء التشغيل. احرص على تفادي لمس العناصر الساخنة. يجب على الأطفال الذين تقل أعمارهم عن 8 سنوات البقاء بعيدًا ما لم يكونوا تحت إشراف دائم.
- يجب توفر تهوية مناسبة للمكان عند تشغيل شفاط الموقد في وقت تشغيل أجهزة أخرى تعمل على الغاز أو أنواع الوقود الأخرى.
- من المحتمل التعرض لخطر نشوب حريق إذا لم يتم التنظيف وفقًا للتعليمات.
- يجب الالتزام بالقواعد المتعلقة بتصريف الهواء.
- نظّف جهازك دوريًا من خلال اتباع الطريقة الواردة في فصل "الصيانة".
- لأسباب تتعلق بالسلامة، يرجى استخدام براغي تثبيت أو تركيب بمقاسات مماثلة للمقاسات الموصى بها في دليل التعليمات هذا فقط.
- فيما يتعلق بالتفاصيل حول طريقة التنظيف وعدد مراته، يرجى الرجوع إلى قسم الصيانة والتنظيف في دليل التعليمات.
- ينبغي عدم قيام الأطفال بالتنظيف وأعمال صيانة المستخدم دون إشراف.
- في حال تشغيل شفاط الموقد والأجهزة التي تعمل بمصادر طاقة غير الكهرباء في وقت واحد، يجب ألا يتجاوز الضغط العكسي في المكان 4 باسكال (4 × 10-5 بار).
- تحذير: خطر الحريق: لا تخزّن الأغراض على أسطح الطهي.
- يجب عدم استخدام منظف بخاري.
- لا تحاول مطلقًا إطفاء حريق بالماء، ولكن أوقف تشغيل الجهاز، ثم احرص على تغطية اللهب باستخدام غطاء أو بطانية حريق مثلًا.

التركيب (منفذ تهوية خارجي)

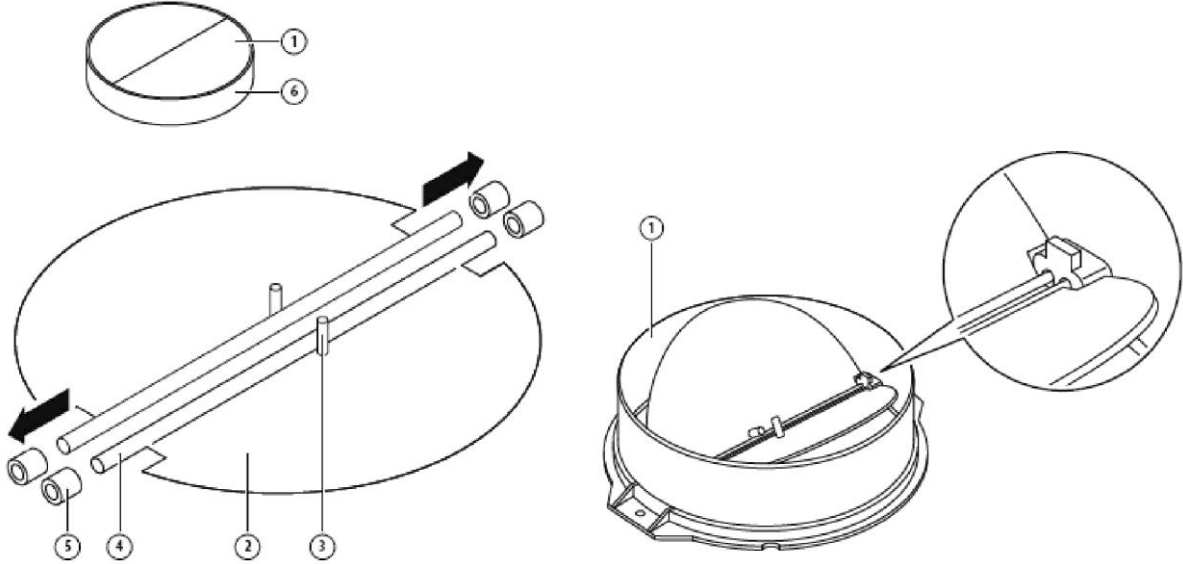
تركيب قلاب على شكل حرف V

*ملحق اختياري متوفر مع بعض الطرز فقط.

إذا لم يكن شفاط الموقد مزودًا بقلاب 1 على شكل حرف V مركبًا، فيجب عليك تركيب كلا النصفين على هيكله. تُظهر الصور مثالًا فقط لكيفية تركيب القلاب على شكل حرف V، وقد يختلف المنفذ وفقًا للطرز والتكوينات المختلفة.

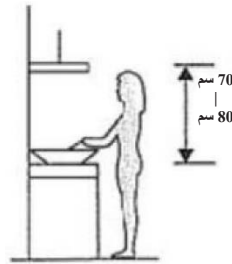
لتركيب القلاب 1 على شكل حرف V، يجب عليك:

- تركيب النصفين 2 في الهيكل 6؛
- يجب أن يكون الدبوس 3 موجهًا لأعلى؛
- يجب إدخال المحور 4 في الفتحات 5 الموجودة على الهيكل؛
- كرر جميع العمليات للنصف الثاني

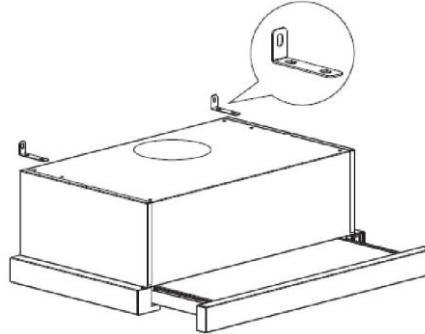


التركيب (التثبيت على الجدار)

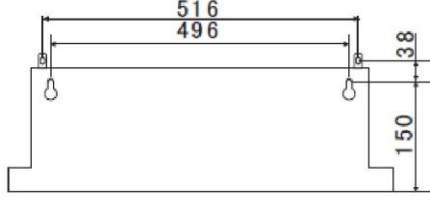
1. حدد مواقع الثقوب لتثبيت شفاط البوتاجاز.



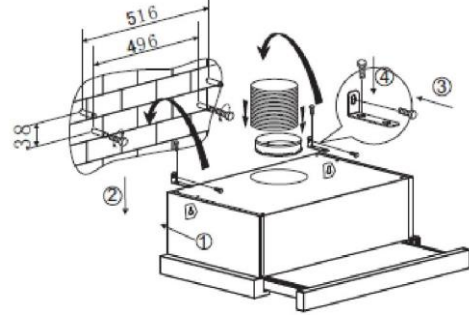
2. قم بتركيب الكتيبة على شكل حرف L في الجزء العلوي من الشفاط باستخدام برغيين (4 مم × 10 مم)



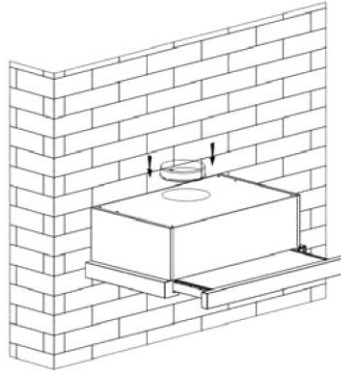
3. يتم تثبيت شفاط الموقد على الجدار باستخدام 4 براغي (4 مم × 30 مم) وقوابس جدارية. قم بتركيب شفاط الموقد على الجدار من الجزء الخلفي للشفاط باستخدام برغيين (4 مم × 30 مم) وقوابس جدارية. ثم قم بتثبيت شفاط الموقد على الجدار باستخدام برغيين (4 مم × 30 مم) وقوابس جدارية من خلال الكتيفة الصغيرة على شكل حرف L.



سم (60) C 6002

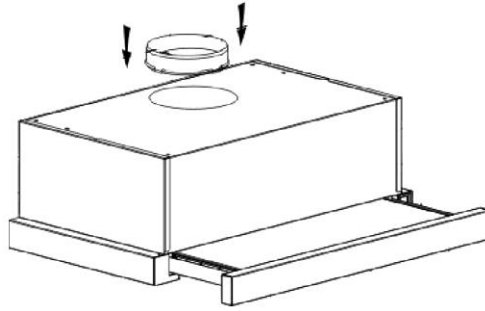


4. ثبّت الصمام أحادي الاتجاه بمنفذ الهواء الخاص بشفاط الموقد.

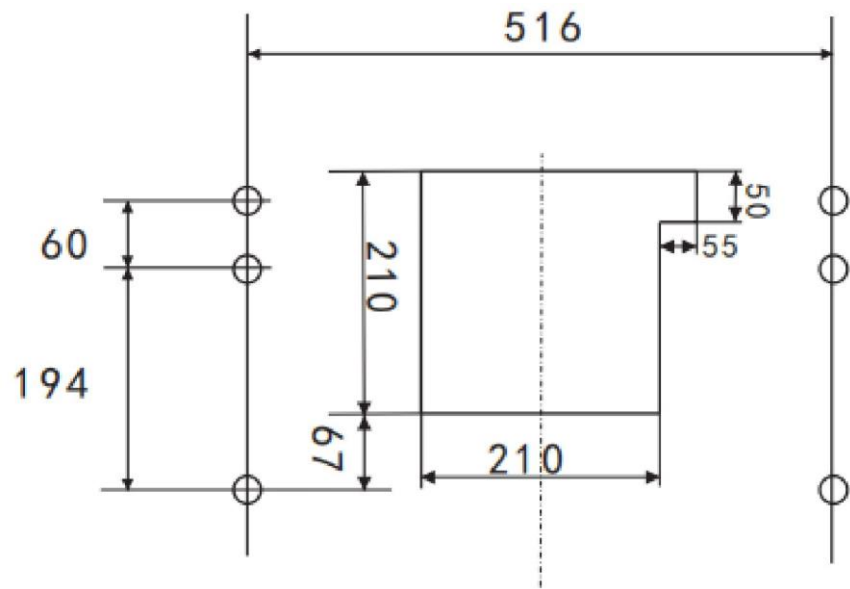


التركيب (التثبيت على الخزانة)

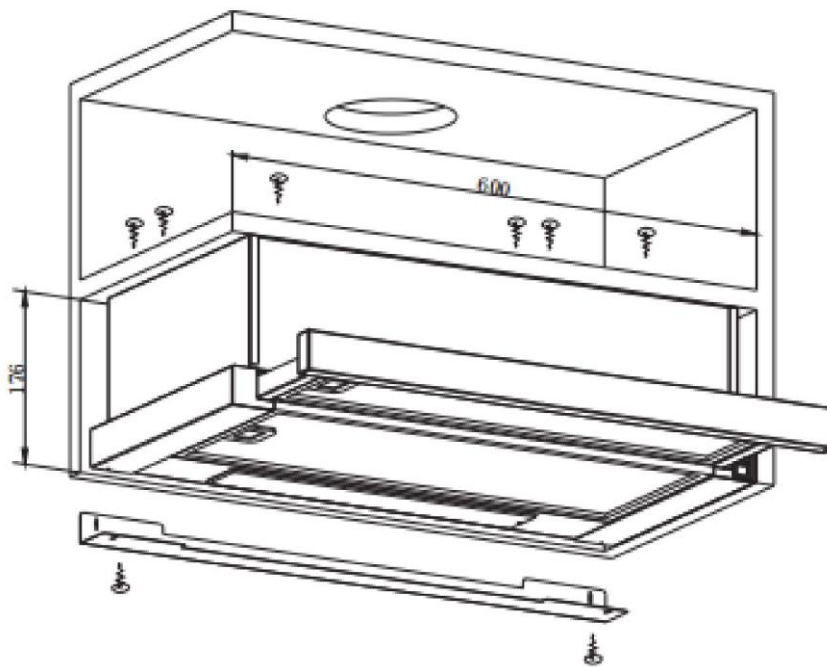
1. ثبّت الصمام أحادي الاتجاه بمنفذ الهواء الخاص بشفاط الموقد.

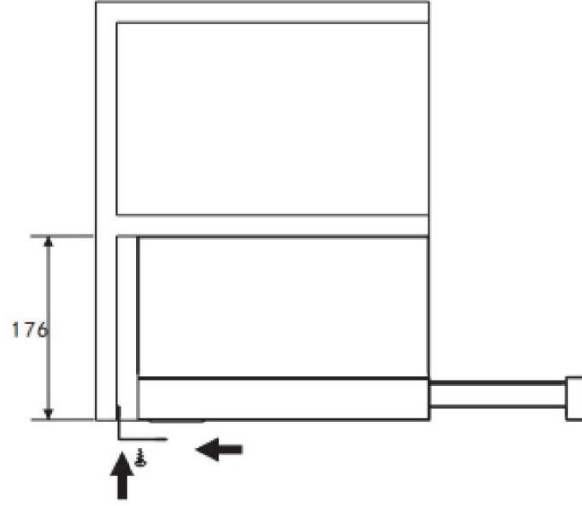


2. ثبّت شفاط الموقد على الخزانة باستخدام 6 براغي مقاس (4×35 مم) وحلقات مسطحة.




60

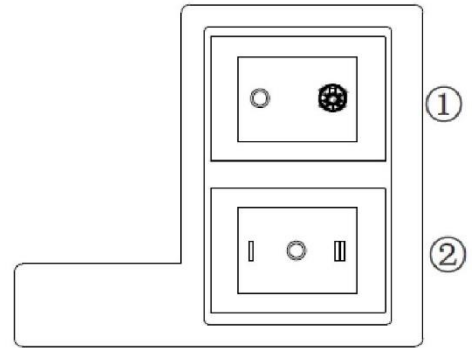
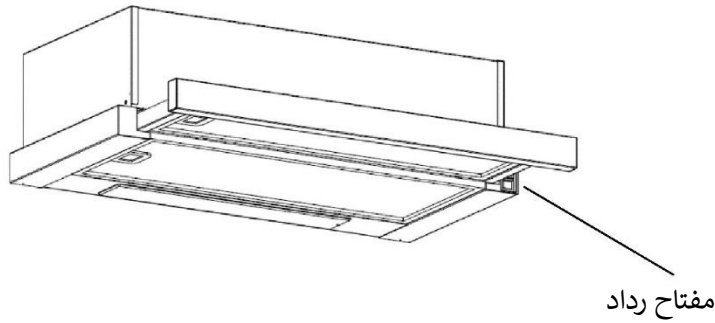




إذا كانت هناك فجوة بين الجدار وشفاط الموقد، يمكنك تركيب الكتيفة على شكل حرف L في الجزء السفلي من الشفاط باستخدام برغيين (3 × 12 مم).
يعد تركيب الكتيفة على شكل حرف L اختياريًا.
ملاحظة: لا يتضمن المنتج أنبوب التمديد.

<p>➤ لأسباب تتعلق بالسلامة، يرجى استخدام براغي تثبيت أو تركيب بمقاسات مماثلة للمقاسات الموصى بها في دليل التعليمات هذا فقط.</p> <p>➤ قد يؤدي عدم تثبيت البراغي أو تثبيت الجهاز وفقًا لهذه التعليمات إلى التعرض لمخاطر كهربائية.</p>	<p>تحذير:</p> 
---	---

بدء استخدام شفاط الموقد الخاص بك مفتاح رداد



1. أدخل قابس الطاقة في المقبس.
2. اضغط على المفتاح ①، سيضيء المصباح؛ واضغط على المفتاح ① على "0"، سينطفئ المصباح.
3. اضغط على المفتاح ② على "I"، لتشغيل المحرك بسرعتين "منخفضة، عالية"، واضغط عليه على "0"، سيتوقف المحرك.
4. سيتم توصيل الطاقة عند سحب اللوحة الأمامية. وبالعكس، سيتم فصل الطاقة تلقائيًا عند دفعها.

اكتشاف الأعطال وإصلاحها

العطل	السبب المحتمل	الحل
المصباح قيد التشغيل، ولكن المحرك لا يعمل	تم إيقاف تشغيل مفتاح المروحة	حدّد وضع مفتاح المروحة.
	تعطل مفتاح المروحة	اتصل بمركز الخدمة.
المصباح لا يعمل، وتوقف المحرك عن العمل	تعطل المحرك	اتصل بمركز الخدمة.
	تلف المنصهر الداخلي	أعد تعيين/استبدل المنصهرات.
تسرب الزيت	سلك التيار مفكوك أو غير متصل	أعد توصيل السلك بمقبس الطاقة. شغّل مقبس الطاقة.
	الصمام أحادي الاتجاه والمنفذ غير مغلقين بإحكام	أنزل الصمام أحادي الاتجاه وقم بسده بمادة مانعة للتسرب.
المصابيح لا تعمل	التسرب قادم من التوصيلة الموجودة بين المدخنة والغطاء	أنزل المدخنة وقم بسدها.
	أغطية نثر الإضاءة مكسورة/معيبة	استبدل أغطية نثر الإضاءة حسب هذه التعليمات.
الشفط غير كافٍ	المسافة التي بين شفاط الموقد وبين قمة بوتاجاز الغاز بعيدة جدًا	أعد تركيب شفاط الموقد بما يتوافق مع المسافة الصحيحة.
	براعي التثبيت غير محكمة بشكل كافٍ	أحكم تثبيت براغي التعليق واجعلها في وضع أفقي.

ملاحظة:

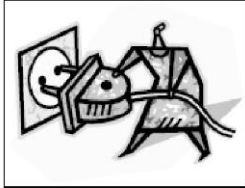


يجب أن تتوافق أي إصلاحات كهربائية لهذا الجهاز مع القوانين المحلية والفيدرالية وقوانين الولايات. يرجى الاتصال بمركز الخدمة إذا كان لديك أي شك قبل القيام بأي مما سبق. افصل الوحدة دائمًا عن مصدر الطاقة عند فتحها.

الصيانة والتنظيف

تنبيه:

- يجب فصل شفاط الموقد من مصدر إمداد الطاقة، قبل إجراء أعمال الصيانة أو النظافة. تأكد من إيقاف تشغيل شفاط الموقد من المقبس الجداري ومن إزالة القابيس.



- الأسطح الخارجية عرضة للخدوش والكشوط، لذا يرجى اتباع تعليمات التنظيف لضمان تحقيق أفضل نتيجة ممكنة دون حدوث ضرر.

إرشادات عامة

يجب إجراء التنظيف والصيانة والجهاز باردًا خاصةً عند التنظيف. تجنب ترك المواد القلوية أو الحمضية (عصير الليمون والخل وما إلى ذلك) على الأسطح.

الفولاذ المقاوم للصدأ

يجب تنظيف الفولاذ المقاوم للصدأ بصفة منتظمة (على سبيل المثال، أسبوعيًا) لضمان طول العمر المتوقع. جفف بقطعة قماش ناعمة ونظيفة. يمكن استخدام سائل تنظيف مخصص بالفولاذ المقاوم للصدأ.

ملاحظة:

تأكد من إجراء المسح بإضافة حبوب الفولاذ المقاوم للصدأ لمنع ظهور أي أنماط من الخدوش المتقاطعة القبيحة.

واجهة لوحة التحكم

يمكن تنظيف لوحة التحكم المرصعة باستخدام الماء الدافئ الصابوني. تأكد من نظافة القماش وعصره جيدًا قبل التنظيف. استخدم قطعة قماش ناعمة وجافة لإزالة الرطوبة الزائدة المتبقية بعد التنظيف.

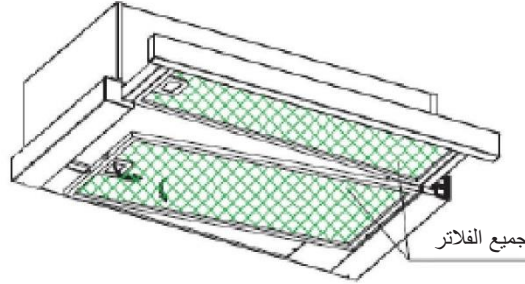
مهم

استخدم منظفات متعادلة وتجنب استخدام منتجات التنظيف الكيماوية الخشنة، أو المنظفات المنزلية الخشنة، أو المنتجات التي تحتوي على مواد كاشطة، لأن ذلك سيؤثر على مظهر الجهاز ويُحتمل أن يؤدي إلى إزالة أي عمل فني على لوحة التحكم وسيؤدي إلى إبطال ضمان الشركة المصنعة.

فلتر شبكة الشحوم

يمكن تنظيف مرشحات الشبكة باليد. انقعها لمدة 3 دقائق في الماء باستخدام منظف يزيل الشحوم ثم نظفها برفق باستخدام فرشاة ناعمة. يُرجى عدم الضغط بشدة، وتجنب الإضرار بها. (اتركها لتجف طبيعيًا نتيجة لتعرضها لضوء الشمس المباشر)

يجب غسل الفلاتر بمعزل عن الأواني الفخارية وأدوات المطبخ. ومن المستحسن عدم استخدام أداة مساعدة للشطف.



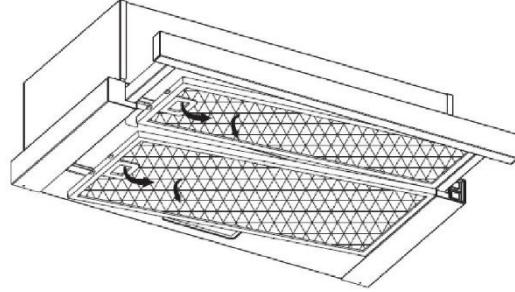
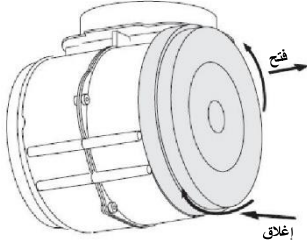
تركيب فلتر شبكة الشحوم

- لتركيب الفلاتر، اتبع الخطوات الأربع الآتية.
- وجه الفلتر ناحية الفتحات في الجزء الخلفي للشفاط.
- اضغط على الزر الموجود على مقبض الفلتر.
- حرّر المقبض بمجرد تثبيت الفلتر في وضع السكون.
- كرر الخطوات لتركيب جميع الفلاتر.

الفلتر الكربوني - غير مرفق

يمكن استخدام الفلتر الكربوني النشط لاحتجاز الروائح. عادةً ما يجب تغيير الفلتر الكربوني المنشط خلال ثلاثة أو ستة أشهر وفقًا لعادة الطهي الخاصة بك. تتوفر خطوات تركيب فلتر الكربون المنشط أدناه.

- (1) حرّك الجزء الأمامي من شفاط الموقد.
- (2) ينبغي إزالة الفلتر المصنوع من الألومنيوم أولاً. اضغط على القفل واسحبه للأسفل.
- (3) قم بإزالة الفلتر الكربوني عن طريق تدويره عكس اتجاه عقارب الساعة.
- (4) استبدل به الفلتر الكربوني الجديد.



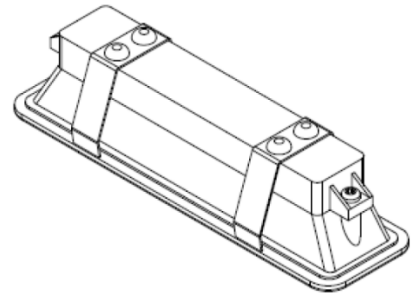
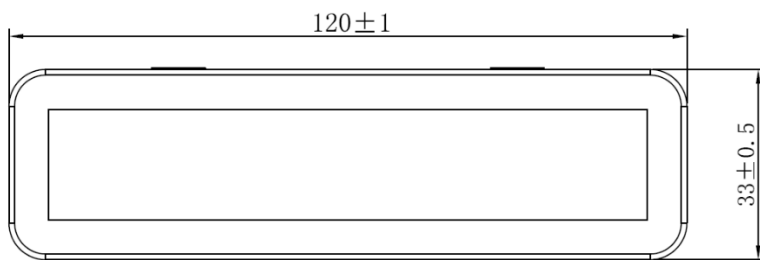
ملاحظة:

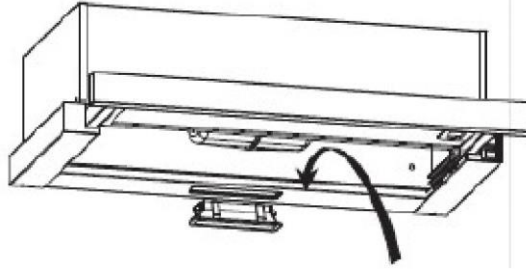
- تأكد من أن الفلتر مغلق بإحكام. وخلاف ذلك، فقد ينحل ويُشكّل خطورة.
- عند تركيب الفلتر الكربوني النشط، ستتنخفض قوة الشفط.

استبدال المصباح

<p>✦ يجب استبدال المصباح بواسطة الشركة المُصنِّعة، أو وكيل الخدمة الخاص بها، أو الأشخاص المؤهلين بشكل مماثل.</p> <p>✦ احرص دائماً على إيقاف التيار الكهربائي قبل إجراء أي عمليات على الجهاز. عند التعامل مع المصباح، تأكد من برودته تمامًا قبل أن تلمسه مباشرة بيديك.</p> <p>✦ عند التعامل مع أغشية نثر الإضاءة، امسكها بقطعة قماش أو قفازات لضمان عدم وصول العرق إلى الغطاء، حيث إن ذلك يقلل من عمر الغطاء.</p>	<p>مهم:</p>
--	-------------

- (1) أوقف تشغيل الجهاز وافصله.
 - (2) حرّك الجزء الأمامي من شفاط الموقد.
 - (3) ينبغي إزالة الفلتر المصنوع من الألومنيوم أولاً. اضغط على القفل واسحبه للأسفل.
 - (4) استبدل به نفس نوع الضوء. مصباح LED 110-240 فولت ~ 50 هرتز، الحد الأقصى 2 واط
- رمز نظام الترميز الدولي للمصابيح (ILCOS D) لهذا المصباح هو: **DBS-2/65-H-120/33**.
 - الحد الأقصى للقوة الكهربائية: X21 واط
 - نطاق الجهد الكهربائي: تيار متردد 240-110 فولت
 - الأبعاد:





الحماية البيئية:

جرى تصنيف هذا الجهاز وفقًا للتوجيه الأوروبي EU/19/2012 بشأن نفايات الأجهزة الكهربائية والإلكترونية (WEEE). تحتوي نفايات الأجهزة الكهربائية والإلكترونية على مواد ملوثة (يمكن أن يكون لها تأثير سلبي على البيئة) وعناصر أساسية (يمكن إعادة استخدامها). من المهم أن تخضع نفايات الأجهزة الكهربائية والإلكترونية لمعالجات محددة لإزالة الملوثات والتخلص منها بشكل صحيح واستعادة جميع المواد. يمكن للأفراد أن يلعبوا دورًا مهمًا في ضمان عدم تحول نفايات الأجهزة الكهربائية والإلكترونية (WEEE) إلى مشكلة بيئية؛ ولذلك من الضروري اتباع بعض القواعد الأساسية:



- يجب عدم التخلص من نفايات الأجهزة الكهربائية والإلكترونية (WEEE) كنفايات منزلية؛
- يجب نقل نفايات الأجهزة الكهربائية والإلكترونية (WEEE) إلى مناطق تجميع مخصصة يديرها مجلس المدينة أو شركة مسجلة. في العديد من البلدان، قد يكون الجمع المنزلي متاحًا لنفايات الأجهزة الكهربائية والإلكترونية (WEEE) الكبيرة. عند شرائك جهازًا جديدًا، يمكن إعادة الجهاز القديم إلى البائع الذي يجب عليه أن يقبل ذلك بدون أي رسوم كاستبدال جهاز بجهاز، طالما أن الجهاز من النوع المعادل، وله نفس وظائف الجهاز الذي تشتريه.

ملاحظة:

فيما يلي توضيح لكيفية الحد من التأثير البيئي الكلي (على سبيل المثال استخدام الطاقة) لعملية الطهي).

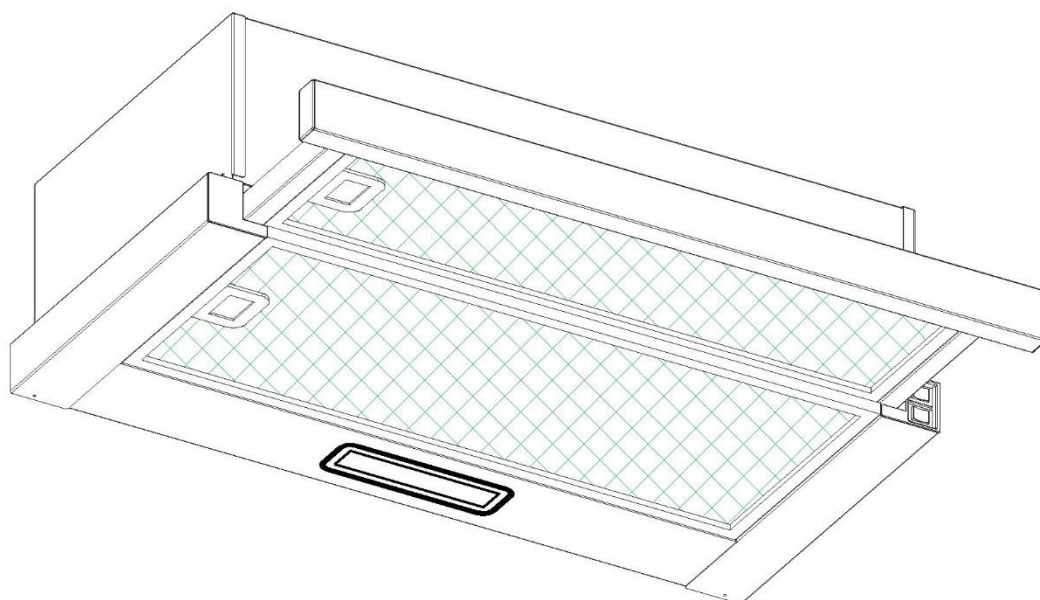
- (1) ركب شفاط الموقد في مكان مناسب بحيث توجد تهوية كافية.
- (2) نظف شفاط الموقد بانتظام حتى لا تسد مخرج الهواء.
- (3) لا تنس إطفاء مصباح شفاط الموقد بعد الطهي.
- (4) لا تنس إيقاف تشغيل شفاط الموقد بعد الطهي.

معلومات حول التفكيك

لا تفكك الجهاز بطريقة مختلفة عن الطريقة الواردة في دليل الاستخدام. لا يمكن تفكيك الجهاز من قبل المستخدم. يجب عدم التخلص من الجهاز في أماكن التخلص من النفايات المنزلية، عند انتهاء عمره الافتراضي. ارجع إلى السلطات المحلية التي تتبع لها أو الموظف المفوض للحصول على مشورة بشأن إعادة التدوير.

Napa za štednjak

Priručnik s uputama



Sadržaj

1	Sigurnosne upute
2	Ugradnja
3	Počnite rabiti napu za štednjak
4	Rješavanje problema
5	Održavanje i čišćenje
6	Zaštita okoliša:

SIGURNOSNE UPUTE

U ovom priručniku opisane su pravilna ugradnja i uporaba vaše nape za štednjak; pažljivo ga pročitajte prije uporabe čak i ako vam je proizvod poznat. Priručnik treba čuvati na sigurnom mjestu da biste se njime mogli poslužiti i u budućnosti.

Nikada nemojte činiti sljedeće:

- Ne pokušavajte rabiti napu za štednjak bez filtera za masnoće ili ako su filteri izrazito masni!
- Ne ugrađujte iznad štednjaka koji ima rešetku na visokoj razini.
- Ne ostavljajte tave u kojima se prži hrana bez nadzora tijekom uporabe jer se pregrijane masti ili ulja mogu zapaliti.
- Nikada ne ostavljajte otvoreni plamen ispod nape za štednjak.



- Ako je napa za štednjak oštećena, ne pokušavajte je rabiti.
- Ne flambirajte hranu ispod nape za štednjak.
- OPREZ: Prilikom uporabe s uređajima za kuhanje dostupni dijelovi mogu se zagrijati.
- Najmanja udaljenost između potporne površine za posude za kuhanje na ploči za kuhanje i najnižeg dijela nape za štednjak. (Kada je napa za štednjak smještena iznad plinskog uređaja, ta udaljenost mora biti najmanje 65 cm)
- Zrak se ne smije ispustiti u dimnjak koji se rabi za ispušne plinove uređaja na plin ili druga goriva.



Uvijek trebate napraviti sljedeće:

- Važno! Uvijek isključite napajanje u elektroenergetskoj mreži tijekom ugradnje i održavanja, primjerice zamjene žarulje.
- Napu za štednjak trebate ugraditi u skladu s uputama za ugradnju i trebate se pridržavati svih mjerenja.
- Sve radove ugradnje smiju obaviti samo osposobljena osoba ili kvalificirani električar.
- Pažljivo odložite ambalažni materijal. Djeci može naškoditi.
- Obratite pažnju na oštre rubove u unutrašnjosti nape za štednjak tijekom ugradnje i čišćenja.
- Kada se napa za štednjak nalazi iznad plinskog uređaja, najmanja udaljenost između potporne površine za posude za kuhanje na ploči za kuhanje i najnižeg dijela nape za štednjak mora biti:
Plinski štednjaci: 75 cm
Električni štednjaci: 65 cm
Štednjaci na ugljen ili ulje: 75 cm
- Pobrinite se da u kanalima nema zavoja oštrijih od 90 stupnjeva jer se tako smanjuje učinkovitost nape za štednjak.
- Upozorenje: Ako ne ugradite vijke ili pričvrstni uređaj u skladu s ovim uputama, mogu nastati rizici povezani sa strujom

Uvijek trebate napraviti sljedeće:

- Uvijek stavite poklopce na lonce i tave kada kuhate na plinskom štednjaku.
- Kada je u načinu isisavanja, zrak iz prostorije uklanja napa za štednjak. Svakako se pridržavajte odgovarajućih mjera za provjetranje. Napa za štednjak uklanja neugodne mirise iz prostorije, ali ne i paru.
- Napa za štednjak namijenjena je samo uporabi u domaćinstvu.



- Ako je kabel za napajanje oštećen, treba ga zamijeniti proizvođač, njegov serviser ili osobe sličnih kvalifikacija da bi se izbjegla opasnost.
- Ovaj uređaj smiju upotrebljavati djeca starija od 8 godina i osobe sa smanjenim fizičkim, osjetilnim ili mentalnim sposobnostima ili nedostatkom iskustva i znanja ako su pod nadzorom ili su dobili upute u vezi sa sigurnom upotrebom uređaja te ako shvaćaju povezane opasnosti. Djeca se ne smiju igrati uređajem. Djeca ne smiju obavljati čišćenje ni održavanje uređaja bez nadzora.



- Upozorenje: Prije nego što uspostavite pristup terminalima, trebate isključiti sve strujne krugove za napajanje.

Uvijek trebate napraviti sljedeće:

- Oprez: Uređaj i njegovi pristupačni dijelovi mogu se zagrijati tijekom rada. Budite pažljivi i ne dodirujte grijaće elemente. Djeca mlađa od osam godina trebaju se držati podalje osim ako su pod stalnim nadzorom.
- Prostorija mora biti propisno provjetrena kada se napa za štednjak rabi istovremeno s uređajima na plin ili druga goriva.
- Postoji rizik od požara ako se čišćenje ne provodi u skladu s uputama
- Treba se pridržavati propisa o ispuštanju zraka.
- Povremeno očistite uređaj slijedeći način opisan u poglavlju ODRŽAVANJE.
- Iz sigurnosnih razloga upotrebljavajte samo onu veličinu pričvrsnih ili postavnih vijaka koja je preporučena u ovom priručniku s uputama.
- Kada je riječ o pojedinostima o načinu i učestalosti čišćenja, pogledajte odjeljak o održavanju i čišćenju u priručniku s uputama.
- Djeca ne smiju obavljati čišćenje ni održavanje uređaja bez nadzora.
- Kada istovremeno rade napa za štednjak i uređaji koji se ne napajaju strujom, podtlak u prostoriji ne smije biti viši od 4 Pa (4 x 10⁻⁵ bara).
- UPOZORENJE: Opasnost od požara: ne odlažite predmete na površine za kuhanje.
- Ne smije se upotrebljavati parni čistač.
- NIKADA nemojte gasiti vatru vodom, nego isključite uređaj i pokrijte plamen npr. poklopcem ili vatrootpornim pokrivačem.

UGRADNJA (OTVOR VANI)

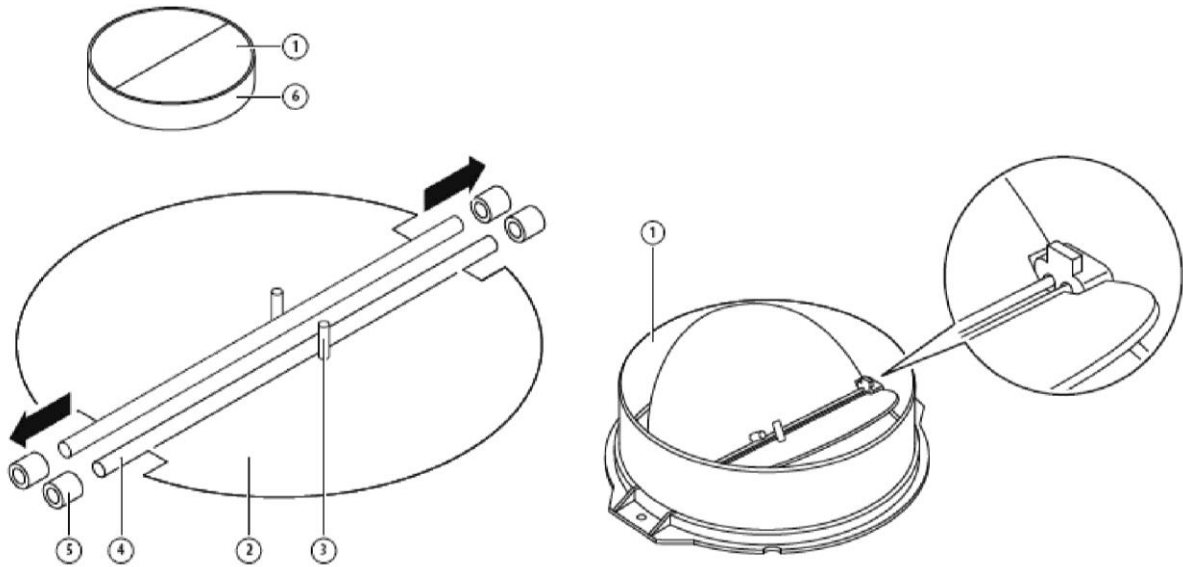
POSTAVLJANJE V-PREKLOPNICE

* Dodatni pribor isporučuje se samo s nekim modelima.

Ako napa za štednjak nema sastavljenu V-preklopnicu 1, trebali biste postaviti poludijelove na njezino tijelo. Na slikama je prikazan samo primjer načina postavljanja V-preklopnice, otvor se može razlikovati ovisno o različitim modelima i konfiguraciji.

Da biste postavili V-preklopnicu 1 trebate napraviti sljedeće:

- Postavite dva poludijela 2 u tijelo 6
- zatik 3 treba biti okrenut prema vrhu;
- osovinu 4 treba umetnuti u otvore 5 na tijelu;
- ponovite sve radnje za drugi poludio

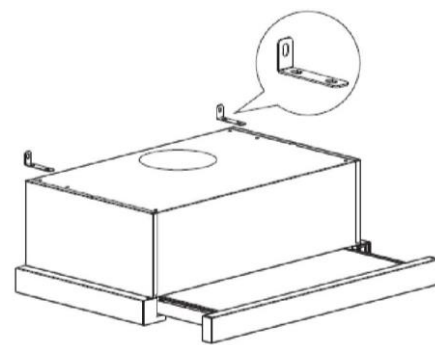


UGRADNJA (Postavljanje na zid)

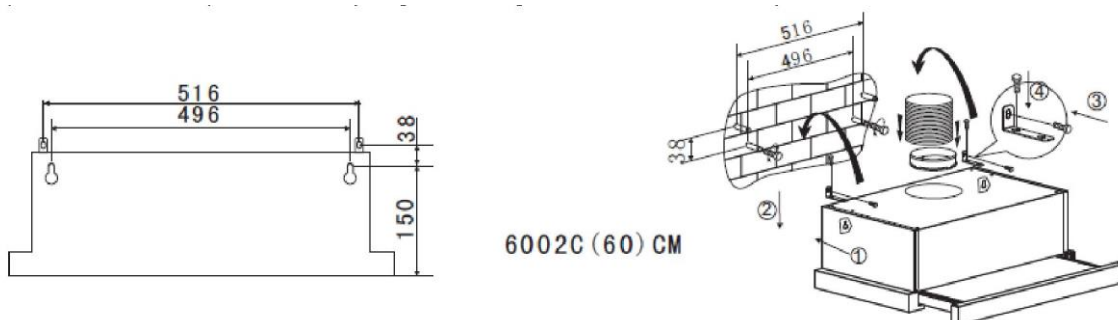
1. Odaberite lokaciju otvora za pričvršćivanje nape za štednjak.



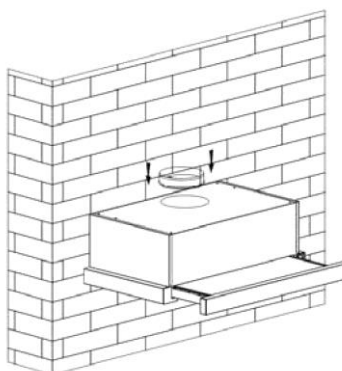
2. Postavite nosač u obliku slova L na gornji dio nape uz pomoć dva vijka (4 mm x 10 mm)



- Napa za štednjak postavlja se na zid uz pomoć četiri vijka (4 mm x 30 mm) i zidnih tipli. Postavite napa za štednjak na zid stražnjom stranom nape za štednjak uz pomoć dva vijka (4 mm x 30 mm) i zidnih utikača. Zatim učvrstite napa za štednjak na zid uz pomoć dva vijka (4 mm x 30 mm) i zidnih utikača kroz mali nosač u obliku slova L.

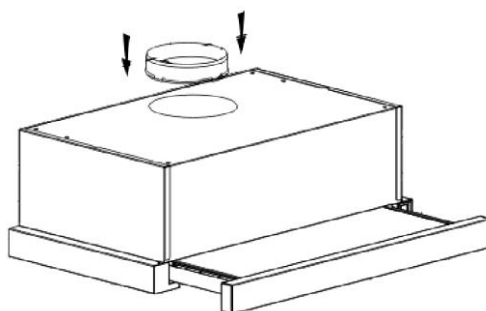


- Pričvrstite jednosmjerni ventil na otvor za zrak nape za štednjak.

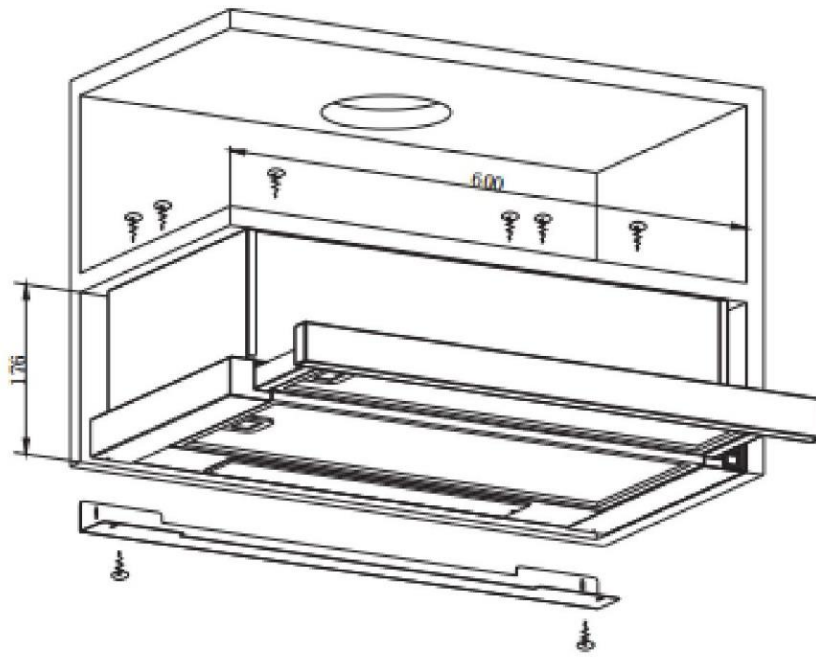
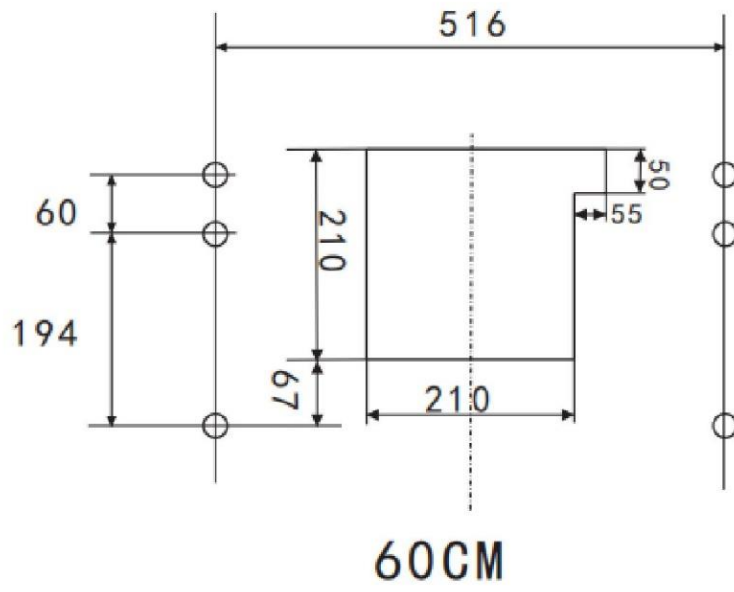


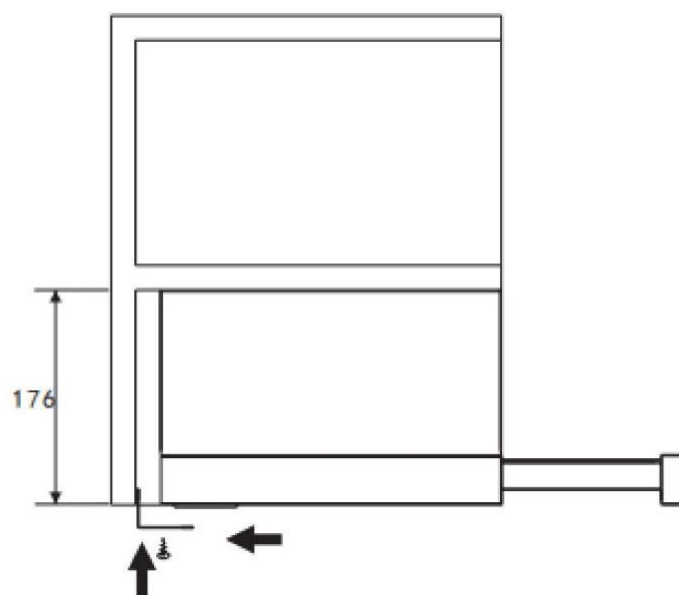
UGRADNJA (Postavljanje na ormarić)

- Pričvrstite jednosmjerni ventil na otvor za zrak nape za štednjak.



- Postavite napa za štednjak na ormarić uporabom šest vijaka (4 x 35 mm) i ravnih podloški.





Ako postoji razmak između zida i nape za štednjak, možete postaviti nosač u obliku slova L na dno nape uporabom dvaju vijaka (3 x 12 mm).

Postavljanje nosača u obliku slova L nije obavezno.

Napomena: Dilatacijska cijev ne isporučuje se s proizvodom.

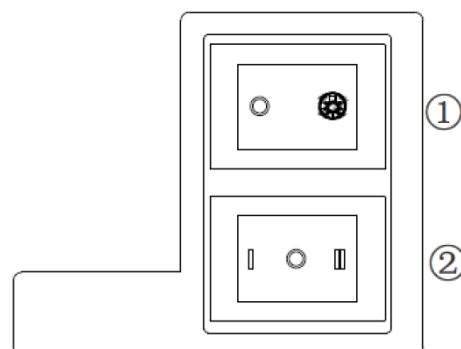
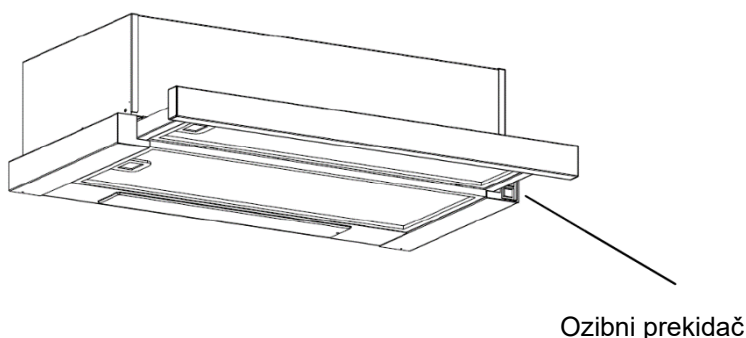
UPOZORENJE:



- Iz sigurnosnih razloga upotrebljavajte samo onu veličinu pričvrsnih ili postavnih vijaka koja je preporučena u ovom priručniku s uputama.
- Ako ne ugradite vijke ili pričvrсни uređaj u skladu s ovim uputama, mogu nastati rizici povezani sa strujom.

POČNITE RABITI NAPU ZA ŠTEDNJAK

Ozibni prekidač



1. Umetnite strujni utikač u utičnicu.

2. Ako je prekidač ① u položaju, svjetiljka se uključuje; ako je prekidač ① u položaju „0”, svjetiljka se isključuje.

3. Ako je prekidač ② u položaju „I, II”, motor je u načinu dviju brzina „mala, velika”, ako je u položaju „0”, motor se isključuje.

4. Napajanje se uključuje kada izvučete prednju ploču. U suprotnom, napajanje se automatski isključuje.

RJEŠAVANJE PROBLEMA

Kvar	Mogući uzrok	Rješenje
Svjetlo je uključeno, ali motor ne radi	Isključen je prekidač za ventilator	Odaberite položaj prekidača za ventilator.
	Kvar prekidača za ventilator	Obratite se servisnom centru.
	Kvar motora	Obratite se servisnom centru.
Svjetlo ne radi, motor ne radi	Izgorjeli osigurači	Vratite osigurače u prvotno stanje / zamijenite ih.
	Kabel za napajanje labav ili nije spojen	Ponovno utaknite kabel u utičnicu. Uključite utičnicu.
Curenje ulja	Jednosmjerni ventil i otvor nisu čvrsto zatvoreni	Spustite jednosmjerni ventil i zabrtvite ga brtvilom.
	Curenje iz spoja dimnjaka i poklopca	Spustite dimnjak i zabrtvite ga.
Svjetla ne rade	Razbijene žarulje / žarulje u kvaru	Zamijenite žarulje sukladno ovoj uputi.
Nedovoljan usis	Prevelika udaljenost između nape za štednjak i plinske ploče	Postavite napu za štednjak na pravilnu udaljenost.
Naginje se napa za štednjak	Pričvrtni vijak nije dovoljno stegnut	Stegnite viseći vijak i stavite ga u vodoravan položaj.

NAPOMENA:



Svi električni popravci ovog uređaja moraju biti izvršeni u skladu s lokalnim, državnim i saveznim zakonima. Obratite se servisnom centru ako imate bilo kakvih dvojbi prije poduzimanja bilo kojeg od gore navedenih koraka. Obvezno odvojite uređaj od izvora napajanja prije otvaranja uređaja.

ODRŽAVANJE I ČIŠĆENJE

Opres:

- Prije nego što izvedete održavanje ili čišćenje, trebete isključiti napajanje nape za štednjak. Pobrinite se da je napa za štednjak isključena iz zidne utičnice i da je utikač uklonjen.



- Vanjske su površine podložne ogrebotinama i abraziji; stoga se pridržavajte uputa za čišćenje da biste postigli najbolje rezultate bez oštećenja.

OPĆENITO

Čišćenje i održavanje treba provoditi dok je uređaj hladan, osobito prilikom čišćenja. Na površinama nemojte ostavljati lužnate ili kisele tvari (limunov sok, ocat itd.).

NEHRĐAJUĆI ČELIK

Nehrđajući čelik treba redovito čistiti (tj. svaki tjedan) radi dugog radnog vijeka. Osušite čistom mekom krpom. Možete upotrijebiti i specijalnu tekućinu za čišćenje nehrđajućeg čelika.

NAPOMENA:

Pobrinite se da brisanje izvodite u smjeru teksture nehrđajućeg čelika radi sprječavanja pojave neuglednih poprečnih linija.

POVRŠINA UPRAVLJAČKE PLOČE

Oblogu upravljačke ploče možete očistiti toplom sapunastom vodom. Provjerite je li krpa čista i dobro iscijeđena prije čišćenja. Upotrijebite mekanu suhu krpu za uklanjanje viška vlage nakon čišćenja.

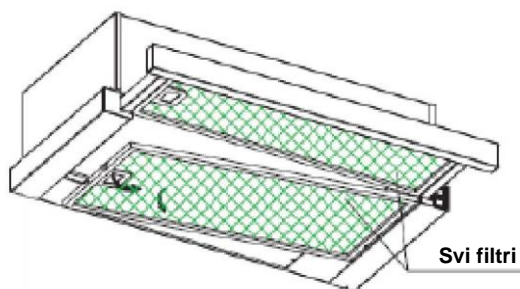
Važno

Upotrebljavajte neutralne deterdžente i izbjegavajte teške kemikalije za čišćenje, jake deterdžente za domaćinstvo ili proizvode koji sadrže abrazive jer to utječe na izgled uređaja i time možete ukloniti otisnuti materijal na upravljačkoj ploči i tako poništiti jamstvo.

FILTRI S MREŽICOM ZA MASNOĆE

Filtre s mrežicom možete očistiti ručno. Umočite ih otprilike tri minute u vodu s deterdžentom za otapanje masnoća, a zatim ih lagano iščetkajte mekanom četkom. Ne pritišćite prejako da ne biste oštetili filtre. (Ostavite da se osuše prirodnim putem, podalje od izravne Sunčeve svjetlosti)

Filtre treba prati odvojeno od posuđa i kuhinjskog pribora. Ne preporučuje se uporaba sredstva za ispiranje.



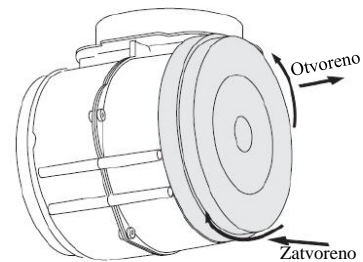
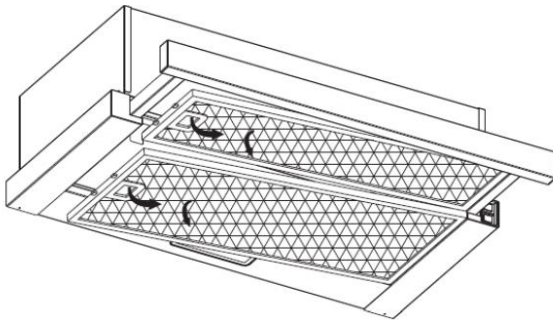
UGRADNJA FILTARA S MREŽICOM ZA MASNOĆE

- Pratite sljedeća četiri koraka za ugradnju filtara.
- Stavite filter pod kutom u utore na stražnjoj strani nape.
- Pritisnite gumb na ručki filtra.
- Otpustite ručku kada filter upadne u položaj mirovanja.
- Ponovite postupak za ugradnju svih filtara.

Ne isporučuje se UGLJENI FILTAR

Filtar s aktivnim ugljenom može se upotrijebiti za sprječavanje širenja neugodnih mirisa. Filtar od aktivnog ugljena normalno treba promijeniti nakon tri do šest mjeseci, ovisno o vašim navikama kuhanja. Postupak ugradnje filtra od aktivnog ugljena objašnjen je u nastavku.


- (1) Kliznim pokretom pomaknite prednji dio nape za štednjak.
- (2) Prvo trebate odvojiti aluminijski filtar. Pritisnite zapinjač i povucite ga prema dolje.
- (3) Okrećite ugljeni filtar u smjeru suprotno od kazaljke na satu i tako ga izvucite.
- (4) Stavite novi ugljeni filtar.



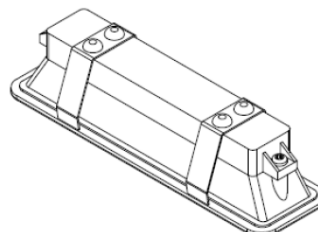
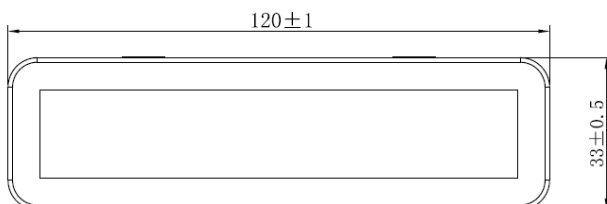
NAPOMENA:

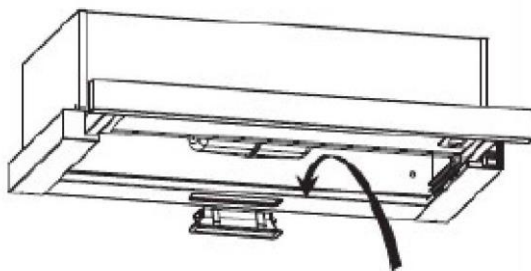
- Filtar mora biti sigurno zaključan. Inače bi mogao olabaviti i prouzročiti opasne situacije.
- Kada je filtar od aktivnog ugljena pričvršćen, usisna je snaga manja.

ZAMJENA ŽARULJE

<p>Važno:</p> 	<ul style="list-style-type: none">✦ Žarulju trebaju zamijeniti proizvođač, njegov serviser ili osobe sličnih kvalifikacija.✦ Uvijek isključite napajanje prije izvođenja bilo kojih radnji na uređaju. Kada rukujete žaruljom, pričekajte da se potpuno ohladi prije nego što dođe u izravan doticaj s rukama.✦ Kada rukujete žaruljama, upotrijebite krpu ili stavite rukavice da znoj ne bi došao u doticaj sa žaruljom budući da joj se tako smanjuje vijek trajanja.
---	--

- (1) Isključite uređaj i izvucite utikač iz utičnice.
- (2) Kliznim pokretom pomaknite prednji dio nape za štednjak.
- (3) Prvo trebate odvojiti aluminijski filtar. Pritisnite zapinjač i povucite ga prema dolje.
- (4) Zamijenite istom vrstom svjetiljke. 110 - 240 V ~ 50 Hz, maks. 2 W LED
 - Šifra ILCOS D za ovu svjetiljku je: DBS-2/65-H-120/33.
 - Najveća snaga: 1X2 W
 - Područje napona: AC 110 - 240 V
 - Mjere:





ZAŠTITA OKOLIŠA:



Ovaj uređaj označen je u skladu s Direktivom 2012/19/EZ o otpadnoj električnoj i elektroničkoj opremi (OEEO). Otpadna električna i elektronička oprema sadrži onečišćujuće tvari (koje mogu imati negativan učinak na okoliš) i bazne elemente (koji se mogu ponovno upotrijebiti). Važno je posebno obraditi otpadnu električnu i elektroničku opremu da bi se ispravno uklonili i odložili onečišćivači i vratili svi materijali. Osobe mogu imati važnu ulogu u postizanju cilja da otpadna električna i elektronička oprema ne postane ekološki problem. Treba se pridržavati nekoliko osnovnih pravila:

- oprema WEEE ne smije se zbrinjavati kao kućanski otpad;
- opremu OEEO potrebno je odnijeti na namjenska područja za prikupljanje kojima upravlja gradsko vijeće ili registrirano poduzeće.

U mnogim državama, za veliku opremu OEEO dostupno je prikupljanje kućanskog otpada. Pri kupnji novog uređaja, stari uređaj možete vratiti prodavaču koji će ga preuzeti besplatno, samo ako je uređaj iste vrste ili ima jednake funkcije kao i kupljeni uređaj.

NAPOMENA:

U nastavku je prikazano kako smanjiti ukupan utjecaj postupka kuhanja (tj. Uporabe energije) na okoliš.

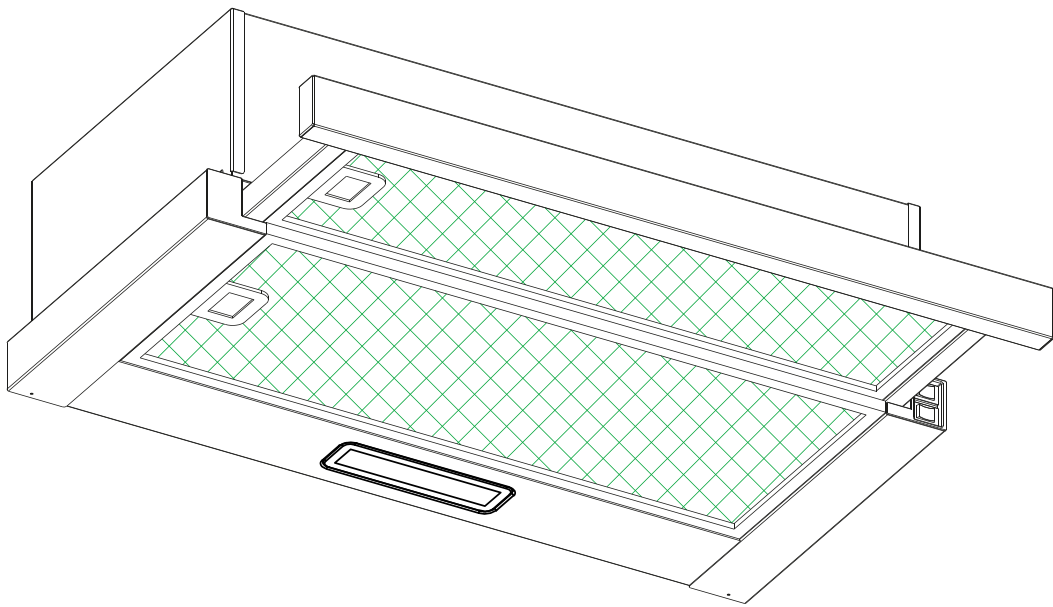
- (1) Ugradite napu za štednjak na pravo mjesto s propisnim provjetravanjem.
- (2) Redovito čistite napu za štednjak radi sprječavanja blokiranja zračnog puta.
- (3) Ne zaboravite isključiti svjetlo nape za štednjak nakon kuhanja.
- (4) Ne zaboravite isključiti napu za štednjak nakon kuhanja.

INFORMACIJE O RASTAVLJANJU

Ne rastavljajte uređaj na način koji nije prikazan u korisničkom priručniku. Korisnik ne smije rastavljati uređaj. Na kraju radnog vijeka uređaj se ne smije odložiti s otpadom iz domaćinstva. Vaše lokalno nadležno tijelo ili njegov predstavnik mogu vam dati savjete o recikliranju.

Páraelszívó

Használati útmutató



Tartalom

114.....	Biztonsági utasítások
116.....	Telepítés
119.....	A páraelszívó használatának megkezdése
120.....	Hibaelhárítás
120.....	Karbantartás és tisztítás
123.....	Környezetvédelem

BIZTONSÁGI UTASÍTÁSOK

Ez a kézikönyv magyarázattal szolgál a páraelszívó megfelelő beszerelését és használatát illetően. Kérjük, használat előtt olvassa el figyelmesen, még akkor is, ha ismeri a terméket. A kézikönyvet biztonságos helyen tárolja későbbi referencia céljából.

Soha ne tegye az alábbiakat:

- Ne tegyen kísérletet a páraelszívó zsírszűrők nélküli használatára, vagy túlságosan zsíros szűrőkkel való használatára!
- Ne szerelje be a készüléket magasra emelt grillel rendelkező tűzhely fölé.
- Ne hagyja a serpenyőket felügyelet nélkül használat közben, mivel a túlhevült zsírok vagy olajok meggyulladhatnak.
- Soha ne hagyjon nyílt lángot a páraelszívó alatt.



- Ha a páraelszívó megsérült, ne tegyen kísérletet a használatára.
- Ne flambírozzon a páraelszívó alatt.
- **VIGYÁZAT:** A hozzáférhető alkatrészek felforrósodhatnak, ha főzőberendezésekkel együtt használják ezeket.
- A minimális távolság a főzőlapon lévő főzőedények támaszfelülete és a páraelszívó legalsó része között. (Ha a páraelszívó gázkészülék felett található, ennek a távolságnak legalább 65 cm-nek kell lennie)
- A levegő nem vezethető olyan kéménybe, amely gázt vagy egyéb üzemanyagokat égető berendezések füstgázainak az eltávolítására szolgál.



Mindenkori tennivalók:

- **Fontos!** Telepítés és karbantartás, például villanykörte csere során mindig kapcsolja ki a hálózati áramellátást.
- A páraelszívót a telepítési utasításoknak megfelelően kell felszerelni, és minden megadott méretnek eleget kell tenni.
- Az összes szerelési munkát hozzáértő személynek vagy szakképzett villanyszerelőnek végezze.
- Kérjük, a csomagolóanyag kiselejtezését kellő figyelemmel végezze. A gyermekek számára ezek veszélyt jelenthetnek.
- Ügyeljen a páraelszívó éles széleire, különösen a beszerelés és a tisztítás során.
- Ha a páraelszívó gázkészülék felett található, a főzőlapon lévő edények támaszfelülete és a páraelszívó legalacsonyabb része közötti távolság minimális értékei:

Gáz főzőlapok:	75 cm
Elektromos főzőlapok:	65 cm
Szén- vagy olajtüzelésű főzőlapok:	75 cm
- Győződjön meg arról, hogy a csővezetéken nincs 90 foknál élesebb kanyar, mivel ez csökkenti a páraelszívó hatékonyságát.
- Figyelmeztetés: A csavarok vagy rögzítőeszközök beszerelésének az elmaradása vagy nem a jelen utasításoknak megfelelő beszerelése elektromos veszélyeket eredményezhet

Mindenkori tennivalók:

- A gáz főzőlapon történő főzéskor mindig tegyen fedőt az edényekre és serpenyőkre.
- Elszívó üzemmódban a páraelszívó eltávolítja a helyiség levegőjét. Bizonyosodjon meg arról, hogy eleget tesz a megfelelő szellőzésre vonatkozó követelményeknek. A páraelszívó eltávolítja a szagokat a helyiségből, de a gőzt nem.
- A páraelszívó kizárólag háztartási célú használatra készült.



- Ha a tápkábel megsérül, a veszély elkerülése érdekében cseréltesse ki a gyártóval, a gyártó szervizközpontjával vagy más szakemberrel.
- A berendezést 8 évnél idősebb gyermekek vagy csökkent fizikai, érzékszervi vagy mentális képességű, vagy tapasztalattal és ismerettel nem rendelkező személyek akkor használhatják, ha felügyelet alatt állnak vagy ha megfelelő utasításokkal látták el őket a berendezés biztonságos használatát illetően, és megértették a használatból eredő veszélyeket. Gyermekek nem játszhatnak a berendezéssel. A berendezés tisztítását és karbantartását gyermekek csak felügyelet alatt végezhetik.



- Figyelmeztetés: Az érintkezőkhöz való hozzáférés előtt szakítsa meg az összes tápáramkört.

Mindenkori tennivalók:

- Vigyázat: A készülék és az elérhető alkatrészek működés közben felforrósodhatnak. Ügyeljen arra, hogy ne érintse meg a forró elemeket. A 8 évesnél fiatalabb gyermekeknek távol kell maradniuk, kivéve, ha biztosított az állandó felügyelet.
- Ha a páraelszívót gázzal vagy más tüzelőanyaggal működő készülékkel egyidejűleg használják, a helyiségben biztosítsa a megfelelő szellőzést.
- Tűzveszély áll fenn, ha a tisztítást nem az utasításoknak megfelelően végzik
- Kötelezően tegyen eleget a levegő kibocsátására vonatkozó szabályoknak.
- Rendszeresen tisztítsa a készüléket a KARBANTARTÁS című fejezetben leírt módszer szerint.
- Biztonsági okokból csak a jelen kézikönyvben ajánlott méretű rögzítőelemet vagy rögzítőcsavart használja.
- A tisztítás módjával és gyakoriságával kapcsolatos részletek ügyében lásd a kézikönyv karbantartási és tisztítási részét.
- A berendezés tisztítását és karbantartását gyermekek csak felügyelet alatt végezhetik.
- Amikor a páraelszívó és az elektromos áramtól eltérő energiával működő készülékek egyidejűleg működnek, a helyiségben a negatív nyomás nem haladhatja meg a 4 Pa (4 x 10⁻⁵ bar) értéket.
- FIGYELMEZTETÉS: Tűzveszély: ne tároljon tárgyakat a főzőfelületeken.
- Ne használjon gőzborotvát.
- SOHA ne próbálja meg a tüzet vízzel oltani, hanem kapcsolja ki a készüléket, majd fedje le a lángot valamivel, például egy fedővel vagy tűzoltó takaróval.

TELEPÍTÉS (KIVEZETÉS KÜLTÉRRE)

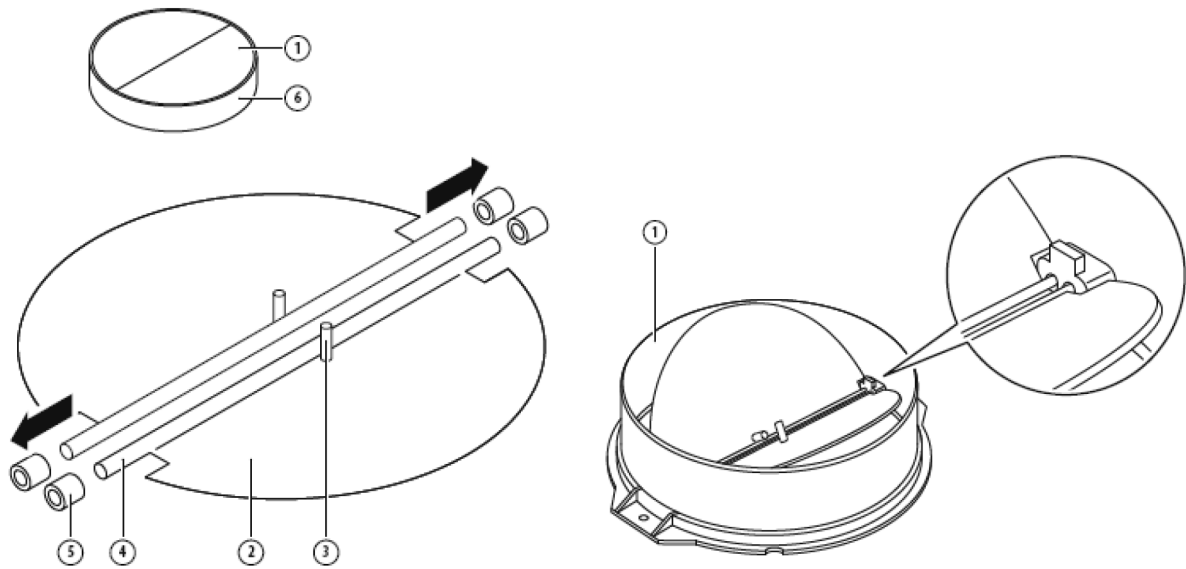
A V-CSAPPANTYÚ FELSZERELÉSE

**Csak bizonyos modellekhez mellékelte opcionális tartozék.*

Ha a páraelszívó nem rendelkezik összeszerelt V-csappantyúval 1, szerelje fel a készüléktestre a félidomokat. A képek csak egy példát mutatnak a V-csappantyú felszerelésére, a kimenet a különböző modellektől és konfigurációktól függően eltérő lehet.

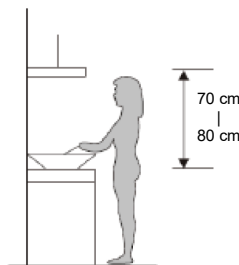
A V-csappantyú 1 felszereléséhez a következőket kell tennie:

- Szereljen be a két félidomot 2 a testbe 6
- a csapnak 3 felfelé kell néznie;
- a tengelyt 4. helyezze be a testen lévő furatokba 5;
- ismétlje meg az összes műveletet a második félidomhoz

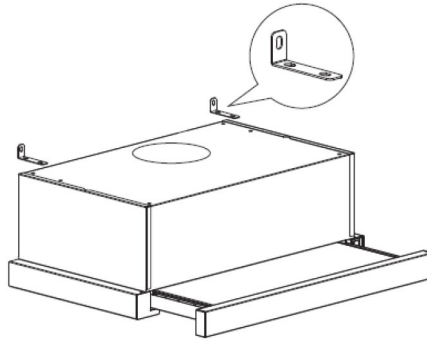


TELEPÍTÉS (falra szerelés)

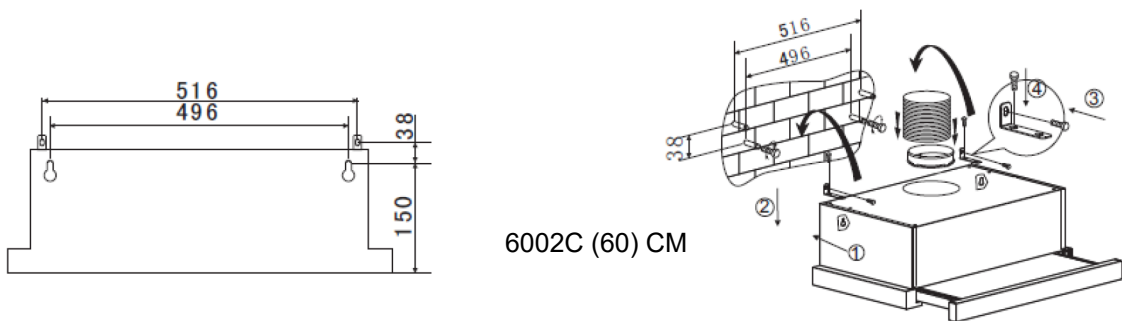
1. Határozza meg a furatok helyét a páraelszívó rögzítésére.



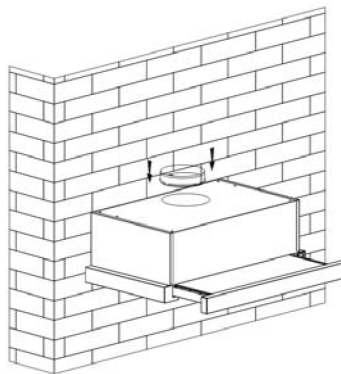
- Szerelje fel az L-alakú konzolt a páraelszívó tetejére két darab (4 mm x 10 mm-es) csavarral.



- A páraelszívó falra szerelése 4 darab csavarral (4 mm x 30 mm) és tiplikkel történik. Rögzítse a páraelszívót a falra a páraelszívó hátoldalán 2 db (4 mm x 30 mm-es) csavarral és tiplikkel. Ezután rögzítse a páraelszívót a falra két (4 mm x 30 mm-es) csavarral és tiplikkel a kis L-alakú konzolon keresztül.

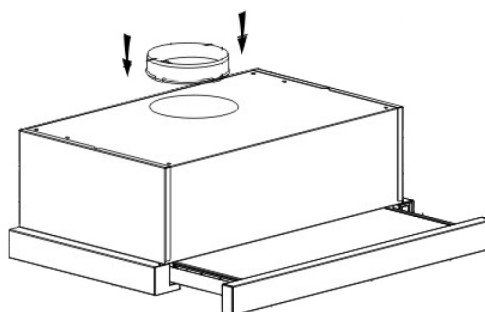


- Szerelje a visszacsapó szelepet a páraelszívó levegőkimenetéhez.

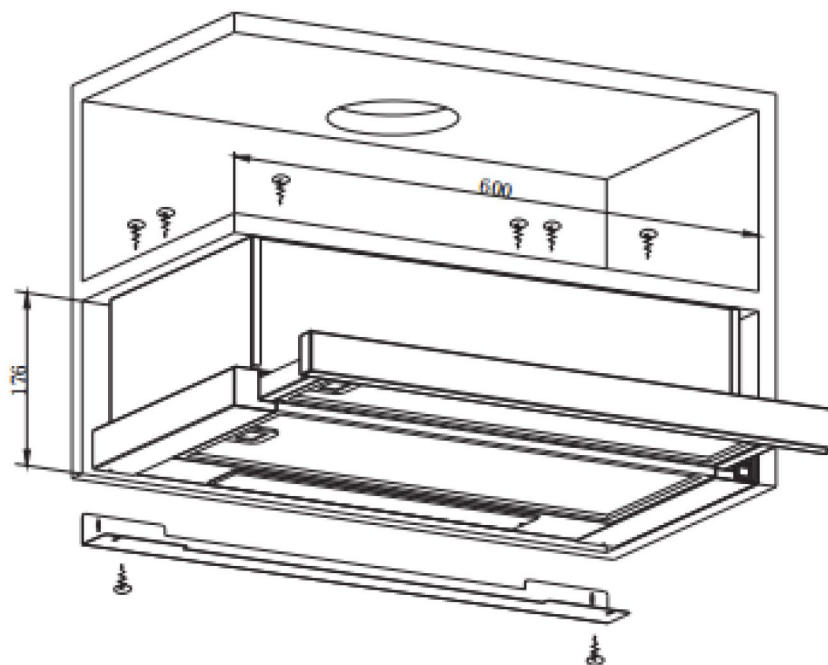
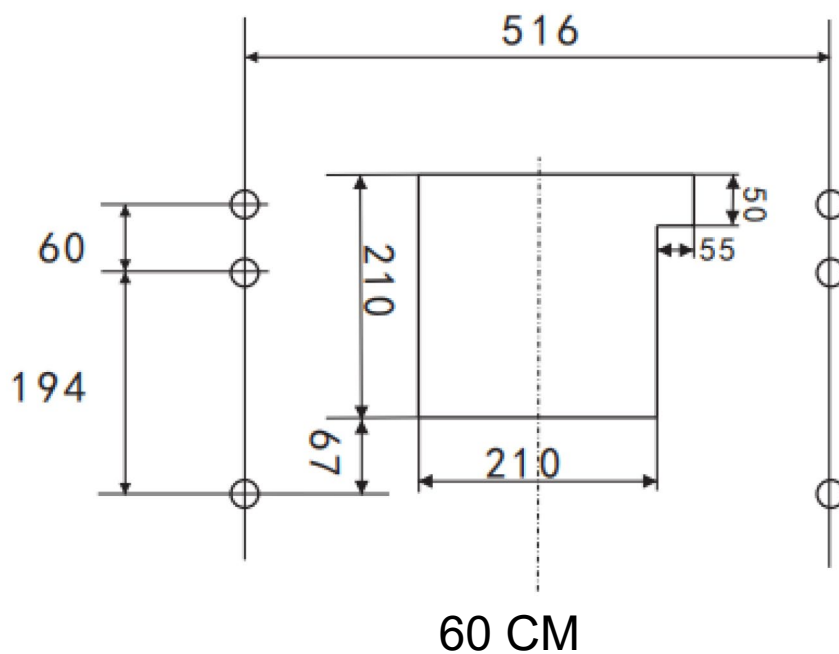


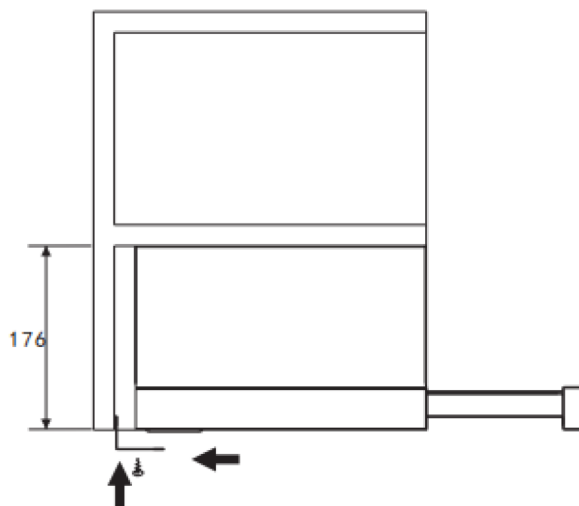
TELEPÍTÉS (szekrényre szerelés)

- Szerelje a visszacsapó szelepet a páraelszívó levegőkimenetéhez.



2. Rögzítse a páraelszívót a szekrényre 6 csavarral (4 x 35 mm) és alátétekkel.






Ha rés van a fal és a páraelszívó között, az L-alakú konzolt két (3 x 12 mm-es) csavarral rögzítheti a páraelszívó aljára.

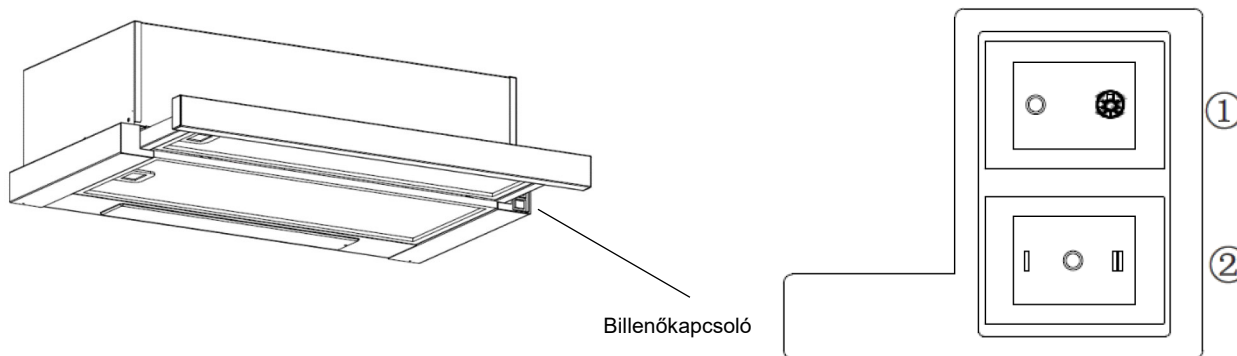
Az L alakú konzol felszerelése opcionális.

Megjegyzés: A távulási cső nem része a terméknek.

<p>FIGYELMEZTETÉS:</p> 	<ul style="list-style-type: none"> ➤ Biztonsági okokból csak a jelen kézikönyvben ajánlott méretű rögzítőelemet vagy rögzítőcsavart használja. ➤ A csavarok vagy rögzítőeszközök beszerelésének az elmaradása vagy nem a jelen utasításoknak megfelelő beszerelése elektromos veszélyeket eredményezhet.
---	--

A PÁRAELSZÍVÓ HASZNÁLATÁNAK MEGKEZDÉSE

Billenőkapcsoló



1. Helyezze be a tápcsatlakozót a konnektorba.
2. Nyomja a kapcsolót ① állásba, ekkor a lámpa felgyullad; kapcsolja a kapcsolót ② „0” állásba, ekkor a lámpa kialszik.
3. Állítsa a kapcsolót ② „I” vagy „II” állásba: a motor „alacsony” vagy „magas” sebességen fog működni. Állítsa „0” állásba, ekkor a motor kikapcsol.
4. A tápellátás bekapcsol, amikor kihúzza az előlő panelt. Betolásakor az áramellátás automatikusan kikapcsol.

HIBAELHÁRÍTÁS

Hiba	Lehetséges ok	Megoldás
A lámpa világít, de a motor nem működik	Ventilátorkapcsoló kikapcsolva	Állítsa át a ventilátorkapcsoló helyzetét.
	A ventilátorkapcsoló meghibásodott	Forduljon a márkaszervizhez.
	A motor meghibásodott	Forduljon a márkaszervizhez.
A lámpa nem működik, a motor nem működik	A háztartási biztosítékok kioldottak	Állítsa vissza/cserélje ki a biztosítékokat.
	A tápcsatlakozó nem érintkezik megfelelően, vagy nincs bedugva	Dugja be a tápcsatlakozót a hálózati aljzatba. Kapcsolja be a hálózati aljzatot.
Olajszivárgás	Az egyirányú szelep és a kimenet nem tömít megfelelően	Vegye le az egyirányú szelepet, és gondoskodjon a megfelelő tömítésről tömítőanyaggal.
	Szivárgás a kémény és a fedél csatlakozási pontjánál	Vegye le a kéményt, és gondoskodjon a megfelelő tömítésről tömítőanyaggal.
A lámpák nem működnek	Sérült/hibás izzók	Cserélje ki az izzókat ennek az utasításnak megfelelően.
Elégtelen szívóhatás	Túl nagy a távolság a páraelszívó és a főzőlap között	Állítsa a páraelszívót a megfelelő távolságra.
A páraelszívó nem áll egyenesen	A rögzítőcsavar nem elég szoros	Szorítsa meg a rögzítőcsavart, és állítsa vízszintbe a készüléket.



MEGJEGYZÉS:

A készüléken végrehajtott bármilyen elektromos javításnak meg kell felelnie a helyi, állami és szövetségi törvényeknek. A fenti műveletek végrehajtásának megkísérlése előtt vegye fel a kapcsolatot a márkaszervizzel, ha bármilyen kétség merül fel Önben. Minden esetben válassza le az egységet az áramforrásról az egység kinyitásakor.

KARBANTARTÁS ÉS TISZTÍTÁS

Vigyázat:

- Karbantartás vagy tisztítás előtt a páraelszívót le kell választani az elektromos hálózatról. Győződjön meg arról, hogy a páraelszívó tápellátását kikapcsolta a fali csatlakozóaljzatnál, illetve kihúzta a dugaszt.



- A külső felületek hajlamosak a karcolódásra és a horzsolódásra, ezért kérjük, kövesse a tisztítási utasításokat, hogy a lehető legjobb eredményt érje el károsodás nélkül.

ÁLTALÁNOS

A tisztítást és karbantartást hideg készülékkel végezze, különösen a tisztítást. Ne hagyjon lúgos vagy savas anyagokat (citromlé, ecet stb.) a felületeken.

ROZSDAMENTES ACÉLRA

A várható hosszú élettartam biztosításához a rozsdamentes acélt rendszeresen (pl. hetente) tisztítsa meg. Törölje szárazra egy tiszta, puha törlőkendővel. Használhat különleges, rozsdamentes acélhoz készült tisztítófolyadékot.

MEGJEGYZÉS:

Bizonyosodjon meg arról, hogy a törlés a rozsdamentes acél erezetének megfelelően történik, a csúnya karcolásnyomok elkerülése érdekében.

A VEZÉRLŐPANEL FELÜLETE

A beépített vezérlőpanel tisztítható meleg szappanos vízzel. Tisztítás előtt győződjön meg róla, hogy a kendő tiszta, illetve hogy jól kicsavarta azt. A tisztítás után visszamaradt nedvesség eltávolításához használjon száraz, puha törlőkendőt.

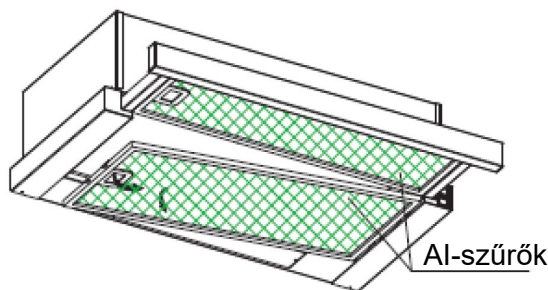
Fontos

Használjon semleges tisztítószereket, és kerülje a durva tisztítószerek, erős háztartási tisztítószerek vagy súrolószert tartalmazó termékek használatát, mivel ezek befolyásolhatják a készülék esztétikumát, és előfordulhat, hogy ezek eltávolítják a vezérlőpanelen elhelyezett jeleket, illetve használatuk semmissé teheti a jótállást.

ZSÍRSZŰRŐ HÁLÓK

A hálós szűrők kézzel tisztíthatók. Áztassa be ezeket kb. 3 percig zsíroló tisztítószert tartalmazó edénybe, majd puha kefével kíméletesen tisztítsa meg. Kérjük, ne gyakoroljon túl nagy nyomást, így elkerülve a készülék károsodását. (Hagyja megszáradni közvetlen napfénytől védve)

A szűrőket edényektől és konyhai eszközöktől külön mossa. Javasoljuk, hogy ne használjon öblítőszt.



ZSÍRSZŰRŐ HÁLÓK FELSZERELÉSE

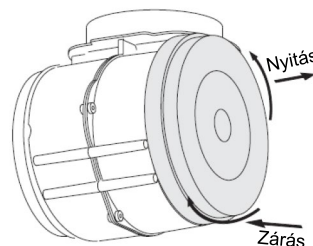
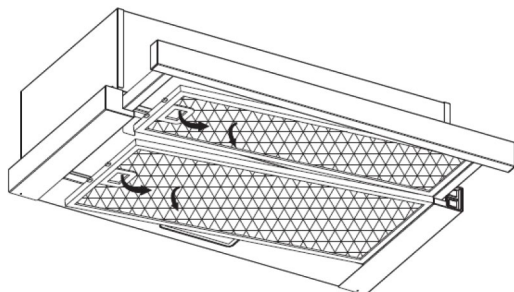
Szűrők telepítését a következő négy lépésben végezze:

1. A szűrőt megdöntve helyezze be azt a burkolat hátulján lévő nyílásokba.
2. Nyomja meg a szűrő fogantyúján lévő gombot.
3. Engedje el a gombot, amint a szűrő biztosan illeszkedik.
4. Ismétlje meg a műveletet az összes szűrő telepítéséhez.

SZÉNSZŰRŐ - nem tartozék

A szagok felfogására használhat aktív szén szűrőt. Az aktív szén szűrő általában három-hathavonta cserélendő a főzési szokásoknak megfelelően. Az aktív szén szűrő telepítési eljárása az alábbiakban olvasható.


- (1) Csúsztassa el a páraelszívó elülső részét.
- (2) Először az alumínium szűrőt kell levenni. Nyomja meg a reteszt, és húzza lefelé.
- (3) Vegye ki a szén szűrőt az óramutató járásával ellentétes irányba forgatva.
- (4) Helyezze be az új szén szűrőt.



MEGJEGYZÉS:

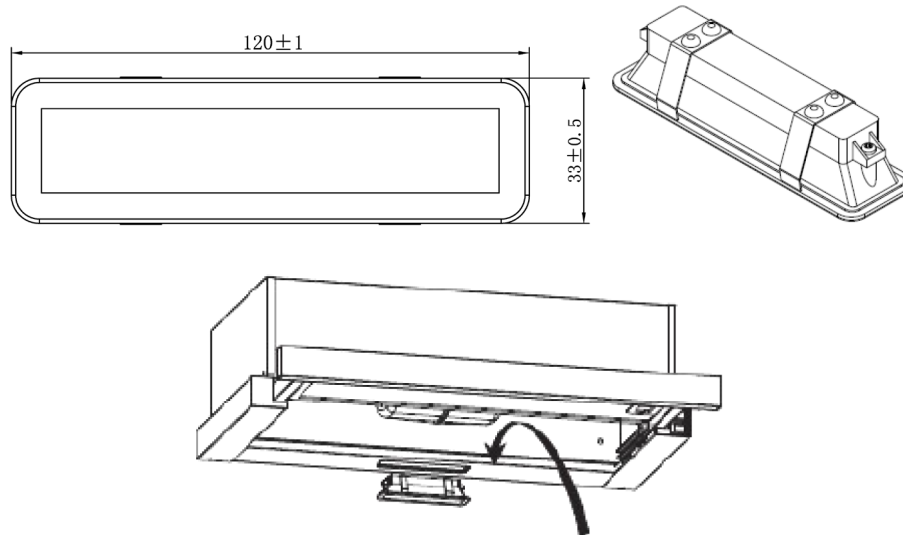
- Győződjön meg arról, hogy a szűrő biztonságosan rögzült. Ellenkező esetben kilazulhat, és veszélyforrásként szolgálhat.
- Aktív szén szűrő csatlakoztatása esetén a szívóteljesítmény csökken.

IZZÓCSERE

<p>Fontos:</p> 	<ul style="list-style-type: none">✧ Az izzót a gyártónak, szervizképviseelőjének vagy hasonló képesítéssel rendelkező személynek kell kicserélnie.✧ Mielőtt bármilyen műveletet végezne a készüléken, mindig kapcsolja ki az áramellátást. Az izzó kezelésekor győződjön meg arról, hogy az teljesen lehűlt, mielőtt az bármiképpen közvetlen érintkezésbe kerülne a kezével.✧ Az izzók kezelésekor fogja meg azokat kendővel vagy kesztyűvel, hogy a verejték ne érintkezzen az izzóval, mivel ez csökkentheti az izzó élettartamát.
--	---

- (1) Kapcsolja ki a készüléket, és húzza ki a konnektorból.
- (2) Csúsztassa el a páraelszívó elülső részét.
- (3) Először az alumínium szűrőt kell levenni. Nyomja meg a reteszt, és húzza lefelé.
- (4) Cserélje ki ugyanolyan típusú izzóra. 110-240 V~50Hz, MAX. 2 W LED

- Az izzó ILCOSD-kódja: DBS-2/65-H-120/33.
- Max. teljesítmény: 1 X 2 W
- Feszültségtartomány: AC 110-240 V
- Méretek:



KÖRNYEZETVÉDELEM



A készülék címkézése megfelel az elektromos és elektronikus berendezések hulladékairól (WEEE) szóló 2012/19/EU európai irányelvnek. Az elektromos és elektronikus berendezések hulladékai tartalmaznak úgy szennyező anyagokat (amelyek a környezetre negatív hatást fejthetnek ki), mint alapanyagokat (amelyek újrahasznosíthatók). Fontos, hogy az elektromos és elektronikus berendezések hulladékai megfelelő kezelés tárgyát képezzék a szennyező anyagok eltávolítása és semlegesítése, illetve az összes egyéb anyag visszanyerése érdekében. Az egyének fontos szerepet játszhatnak annak

biztosításában, hogy az elektromos és elektronikus berendezések hulladékai ne váljanak környezeti problémává; fontos néhány alapvető szabály betartása:

- az elektromos és elektronikus berendezések hulladéka nem kezelhető háztartási hulladékként;
- az elektromos és elektronikus berendezések hulladékát kötelezően erre kijelölt gyűjtőpontban adja le, amelyet az önkormányzat vagy bejegyzett vállalat üzemeltet.

Számos országban elérhető lehet a nagy méretű elektromos és elektronikus berendezések hulladékainak a begyűjtése közvetlenül a háztartásból. Új berendezés vásárlásakor a régi berendezés visszaadható a forgalmazónak, aki térítésmentesen begyűjti, feltéve, ha a berendezés típusa és funkciója megegyezik a vásárolt készülékével.

MEGJEGYZÉS:

A következőkben bemutatjuk, hogyan csökkenthető a főzési folyamat összes környezeti hatása (pl. energiafelhasználása).

- (1) Szerelje fel a páraelszívót olyan megfelelő helyre, ahol hatékony a szellőzés.
- (2) Rendszeresen tisztítsa meg a páraelszívót, ezzel megakadályozva a légutak elzáródását.
- (3) Ne felejtse el kikapcsolni a páraelszívó lámpáját főzés után.
- (4) Főzés után ne felejtse el kikapcsolni a páraelszívót.

SZÉTSZERELÉSRE VONATKOZÓ INFORMÁCIÓK

Ne szerelje szét a készüléket a felhasználói kézikönyvben nem részletezett módon.

Kialakításából adódóan a készülék szétszerelését a felhasználó nem végezheti.

Élettartama végén a készüléket nem szabad a háztartási hulladékkal együtt kiselejtezni.

Újrahasznosítási tanácsokért forduljon a helyi hatósághoz vagy a hulladékkezelő vállalathoz.

Ovaj dokument je originalno proizveden i objavljen od strane proizvođača, brenda Candy, i preuzet je sa njihove zvanične stranice. S obzirom na ovu činjenicu, Tehnoteka ističe da ne preuzima odgovornost za tačnost, celovitost ili pouzdanost informacija, podataka, mišljenja, saveta ili izjava sadržanih u ovom dokumentu.

Napominjemo da Tehnoteka nema ovlašćenje da izvrši bilo kakve izmene ili dopune na ovom dokumentu, stoga nismo odgovorni za eventualne greške, propuste ili netačnosti koje se mogu naći unutar njega. Tehnoteka ne odgovara za štetu nanесenu korisnicima pri upotrebi netačnih podataka. Ukoliko imate dodatna pitanja o proizvodu, ljubazno vas molimo da kontaktirate direktno proizvođača kako biste dobili sve detaljne informacije.

Za najnovije informacije o ceni, dostupnim akcijama i tehničkim karakteristikama proizvoda koji se pominje u ovom dokumentu, molimo posetite našu stranicu klikom na sledeći link:

<https://tehnoteka.rs/p/candy-aspirator-cbt60rbg-akcija-cena/>