

Informacije o proizvodu (EN)

ENERMAX ETS-TD60D-ARGB TD60D kuler za procesor



Tehnoteka je online destinacija za upoređivanje cena i karakteristika bele tehnike, potrošačke elektronike i IT uređaja kod trgovinskih lanaca i internet prodavnica u Srbiji. Naša stranica vam omogućava da istražite najnovije informacije, detaljne karakteristike i konkurentne cene proizvoda.

Posetite nas i uživajte u ekskluzivnom iskustvu pametne kupovine klikom na link:

<https://tehnoteka.rs/p/enermax-ets-td60d-argb-td60d-kuler-za-procesor-akcija-cena/>



ETS-TD60D-ARGB

ARGB
ETS-TD60D
CPU COOLER



ARGB

ETS-TD60

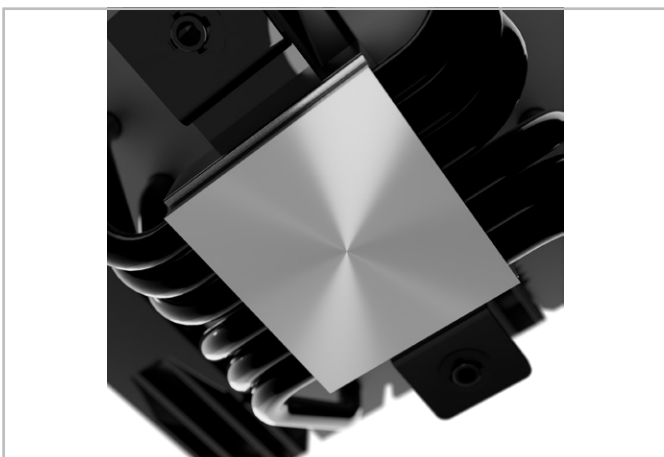
CPU COOLER

- Supports up to 280W TDP
- Dual-Tower Heatsink Design
- Nickel-Plated Copper Base Conducts Heat More Evenly
- 2 x 120mm FDB Fans Included
- PWM Controlled Fan to Optimize Airflow and Silent Operation
- Real-time Digital Status Display



Features

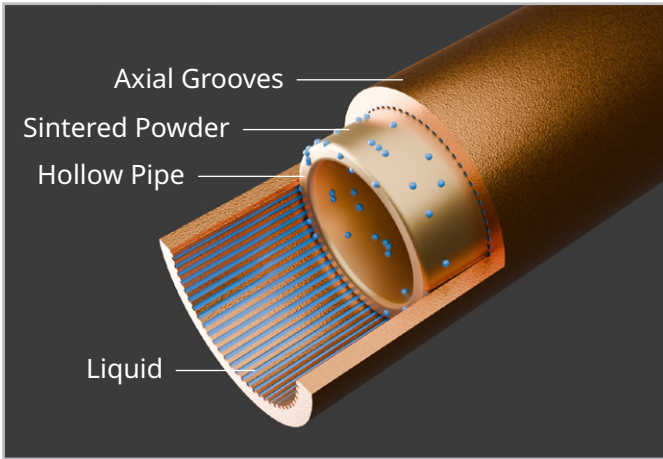
- **Superior Cooling Capacity: 280W TDP**
The ETS-TD60 Digital ARGB CPU air cooler features a dual-tower, dual-fan design (one 120mm non-illuminated fan and one 120mm ARGB fan), with six Ø6 mm heat pipes, delivering up to 280W TDP cooling performance.
- **Composite Heat-Pipe Design**
ETS-TD60 Digital ARGB CPU air cooler efficiently manages heat transfer and lowers the CPU temperature by 1 °C compared to other coolers with the same power consumption.
- **PWM-Controlled FDB Fan**
The 120 mm F.D.B. (Fluid Dynamic Bearing) fan delivers quiet operation while maintaining cooling performance.
- **System Data Monitoring**
Effortlessly monitor the temperatures of CPU, GPU and fan speed with the digital display.
- **Sync with Motherboard RGB Software**
ETS-TD60 Digital ARGB air cooler is designed to synchronize with addressable RGB motherboards (3 pin assignment is 5V/D/G), providing 16.8 million colors to light up your rigs
- **Nickel-Plated Copper Base Conducts Heat More Evenly**
The nickel-plated copper base seamlessly contacts the CPU and fully covers all hotspots, effectively enhancing heat transfer efficiency.



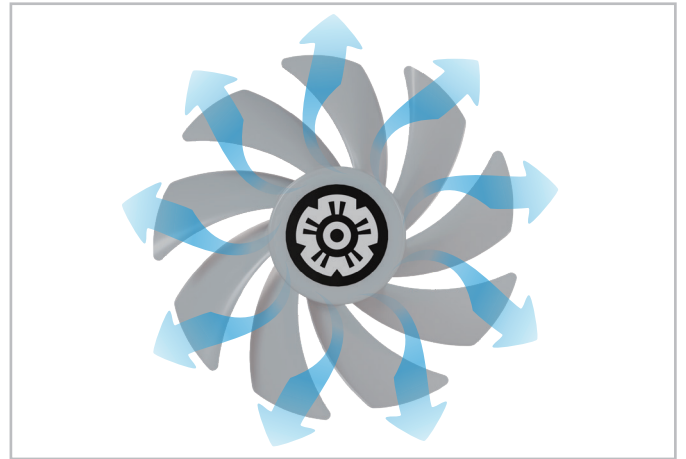
Nickel-Plated Copper Base Conducts Heat More Evenly



Dual-Tower Heatsink Design



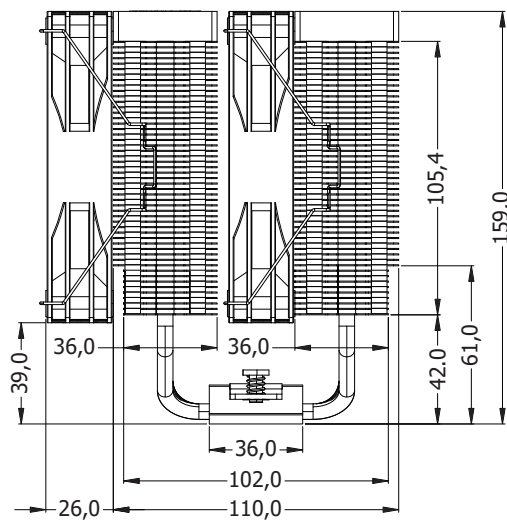
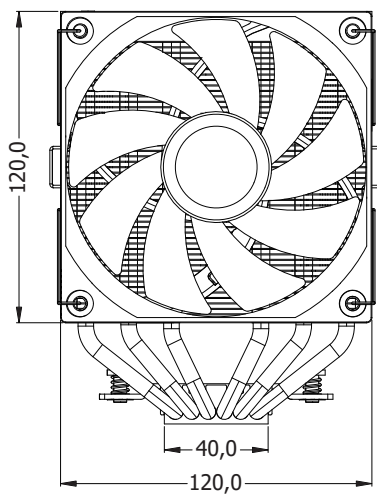
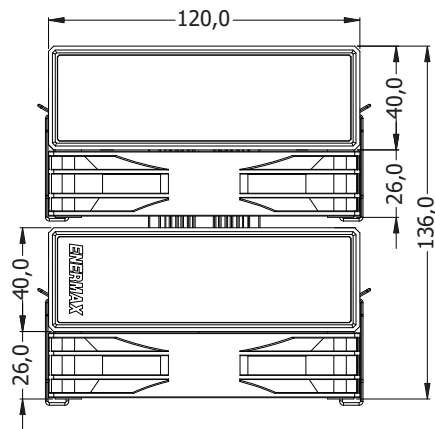
Composite Heat-Pipe Design



PWM-Controlled Fan with a 9-Blade Design

Dimension

unit : mm



Specifications

Model		ETS-TD60D-ARGB
CPU Socket		Intel® LGA1851/1700/115x/1200 AMD® AM5/AM4
Overall Dimension		120 X 134 x 159 mm
Weight		1015g (W/ fan)
Heat Pipe		6 x Ø6 mm
Display Module rated voltage		5V
Display Module Rated Current		40~80mA
Material		Copper Cold Plate / Aluminum Fins
Fan (1 ARGB + 1 Non-illuminated)	Dimension	120 x 120 x 25 mm
	Speed	600~1600 RPM ±10%
	Bearing	Fluid Dynamic Bearing
	Air Flow	29.46~69.63 CFM
	Air Flow	50.05~118.30 m³/h
	Static Pressure	0.36~1.39 mmH2O
	Noise	25 dBA (Max)
	Rated Voltage	12V
	Rated Current	0.19A
	Rated Voltage - RGB LED	5V
	Rated Current - RGB LED	0.28A
	MTTF	≥ 80,000 hrs
	Connector	4 Pin PWM + 3 Pin ARGB
Thermal Grease		
TDP		280W

Logistic information

Barcode	EAN	4713157729378
	UPC	819315029374
Box Dimension	170 x 156 x 213 mm	
Gross Weight / Unit	1.38 kg	
Carton Dimension	487 x 352 x 467 mm	
Q'ty / Carton	12 pcs	
Gross Weight / Carton	18 kg	

Ovaj dokument je originalno proizveden i objavljen od strane proizvođača, brenda Enermax, i preuzet je sa njihove zvanične stranice. S obzirom na ovu činjenicu, Tehnoteka ističe da ne preuzima odgovornost za tačnost, celovitost ili pouzdanost informacija, podataka, mišljenja, saveta ili izjava sadržanih u ovom dokumentu.

Napominjemo da Tehnoteka nema ovlašćenje da izvrši bilo kakve izmene ili dopune na ovom dokumentu, stoga nismo odgovorni za eventualne greške, propuste ili netačnosti koje se mogu naći unutar njega. Tehnoteka ne odgovara za štetu nanесenu korisnicima pri upotrebi netačnih podataka. Ukoliko imate dodatna pitanja o proizvodu, ljubazno vas molimo da kontaktirate direktno proizvođača kako biste dobili sve detaljne informacije.

Za najnovije informacije o ceni, dostupnim akcijama i tehničkim karakteristikama proizvoda koji se pominje u ovom dokumentu, molimo posetite našu stranicu klikom na sledeći link:

<https://tehnoteka.rs/p/enermax-ets-td60d-argb-td60d-kuler-za-procesor-akcija-cena/>