

Uputstvo za upotrebu (EN)

BLAUPUNKT VT100SL gramofon

 **BLAUPUNKT**



Tehnoteka je online destinacija za upoređivanje cena i karakteristika bele tehnike, potrošačke elektronike i IT uređaja kod trgovinskih lanaca i internet prodavnica u Srbiji. Naša stranica vam omogućava da istražite najnovije informacije, detaljne karakteristike i konkurentne cene proizvoda.

Posetite nas i uživajte u ekskluzivnom iskustvu pametne kupovine klikom na link:

<https://tehnoteka.rs/p/blaupunkt-vt100sl-gramofon-akcija-cena/>

Owner's Manual
Instrukcja obsługi
Návod k použití
Navodila za uporabo
Használati útmutató
Upute za upotrebu
Lietošanas instrukcija

Instrucțiune de deservire
Инструкция за употреба
Οδηγίες χρήσης
Kasutusjuhend
Naudojimo instrukcijos
Užívateľská príručka



Enjoy it.

Vertical turntable with Bluetooth in-out



Important Safety Instructions


CAUTION

RISK OF ELECTRIC SHOCK DO NOT OPEN

Caution:

To reduce the risk of electric shock, do not remove cover (or back). No user serviceable parts inside. Refer servicing to qualified service personnel.

Explanation of Graphical Symbols:



The lightning flash within an equilateral triangle is intended to alert you to the presence of uninsulated dangerous voltage within the product's enclosure that may be of sufficient magnitude to constitute an electric shock to a person or persons.



The exclamation point within an equilateral triangle is intended to alert you to the presence of important operating and maintenance (servicing) instructions in the literature accompanying the product.

To achieve the utmost in enjoyment and performance, and in order to become familiar with its features, please read this manual carefully before attempting to operate this product. This will assure you years of trouble free performance and listening pleasure.

Important Notes

- This safety and operating instruction should be retained for future reference.
- The apparatus should not be exposed to dripping or splashing or placed in a humid atmosphere such as a bathroom.
- Do not install the product in the following areas:
- Places exposed to direct sunlight or close to radiators.
- On top of other stereo equipment that radiate too much heat.
- Blocking ventilation or in a dusty area.
- Areas where there is constant vibration.
- Humid or moist places.
- Do not place near candles or other naked flames.
- Operate the product only as instructed in this manual.
- Before turning on the power for the first time, make sure the power adaptor is properly connected.
- Plug-in the USB stick directly or use a USB-extension cable which is not longer than 25 cm.

For safety reasons, do not remove any covers or attempt to gain access to the inside of the product. Refer any servicing to qualified personnel.

Do not attempt to remove any screws, or open the casing of the unit; there are no user serviceable parts inside. Refer all servicing to qualified service personnel.

SAFETY INSTRUCTIONS

1. Read Instructions - All the safety and operating instructions must be read before the product is operated.
2. Retain Instructions - The safety and operating instructions should be kept with the product for future reference.
3. Heed warnings - All warnings on the product and in the operating instructions should be adhered to.
4. Follow instructions - All operating and users' instructions should be followed.
5. Installation - Install in accordance with the manufacturer's instructions.
6. Power sources - This product should be operated only from the type of power source indicated by the marking adjacent to the power cord entry. If you are not sure of the type of power supply to your home, consult your product dealer or local power company.
7. Grounding or polarization - the product is not required to be grounded. Ensure that the plug is fully inserted into the wall outlet or extension cord receptacle to prevent blade or pin exposure. Some versions of the product are equipped with a power cord fitted with a polarized alternating line plug (a plug having one blade wider than the other). This plug will fit onto the power outlet only one way. This is a safety feature. If you are unable to insert the plug fully into the outlet, try reversing the plug. If the plug should still fail to fit, contact your electrician to replace your obsolete outlet. Do not defeat the safety purpose of the polarized plug. When using an extension power-supply cord or a power-supply cord other than that supplied with the appliance, it should be fitted with the appropriate molded plugs and carry safety approval appropriate to the country of use.
8. Power cord protection - Power-supply cords should be routed so that they are not likely to be walked on, kinked or pinched by items placed on or against them, paying particular attention to cords from plugs, receptacles and the point where they exit from the product.
9. Overloading - Do not overload wall outlets, extension cords, or multiple sockets, as this can result in a risk of fire or electric shock.
10. Ventilation - The product must be properly ventilated. Do not place the product on a bed, sofa, or other similar surface. Do not cover the product with any items such as tablecloths, newspapers, etc.
11. Heat - The product should be situated away from heat sources such as radiators, heat registers, stoves, or other products, including amplifiers that produce heat. No naked flame sources, such as lighted candles, should be placed on the apparatus.
12. Water and moisture - To reduce the risk of fire or electric shock, do not expose the product to rain, dripping, splashing or excessive moisture such as in a sauna or bathroom. Do not use this product near water, for example, near a bathtub, washbowl, kitchen sink, laundry tub, in a wet basement or near a swimming pool (or similar).

13. Object and Liquid Entry - Never push objects of any kind into this product through openings, as they may touch dangerous voltage points or short-circuit parts that could result in a fire or electric shock. Never spill liquid of any kind on the product. Do not place any object containing liquid on top of the product.
14. Cleaning - Unplug the product from the wall outlet before cleaning. Dust in the woofer may be cleaned with a dry cloth. If you wish to use an aerosol cleaning spray, do not spray directly on the cabinet; spray onto the cloth. Be careful not to damage the drive units.
15. Attachments - Do not use attachments not recommended by the product manufacturer, as they may cause hazards.
16. Accessories - Do not place this product on an unstable cart, stand, tripod, bracket or table. The product may fall, causing serious injury to a child or adult, and serious damage to the product. Use only with a cart, stand, tripod, bracket or table recommended by the manufacturer or sold with the product. Any mounting of the product should follow the manufacturer's instructions and should use a mounting accessory recommended by the manufacturer.
17. Moving the product - A product and cart combination should be moved with care. Quick stops, excessive force and uneven surfaces may cause the product and cart combination to overturn.
18. Unused periods - The power cord of the appliance should be unplugged from the outlet during lightning storms or when the apparatus is left unused for a long period of time.
19. Servicing - Do not attempt to service this product yourself, as opening or removing covers may expose you to dangerous voltage or other hazards. Refer all servicing to qualified service personnel.
20. Please remove the power plug from the main power source or wall power source when not in use. When plugged in to a power source, the system is in standby mode, so the power is not entirely cut off.
21. Replacement parts - When replacement parts are required, ensure that the service technician has used replacement parts specified by the manufacturer or have the same characteristics as the original part. Unauthorized substitutions may result in fire, electric shock or other hazards.
22. Mains fuses - For continued protection against fire hazard, use fuses only of the correct type and rating. The correct fuse specification for each voltage range is marked on the product.
23. Do not turn up the volume while listening to a section with very low level inputs or no audio signals. If you do, the speaker may be damaged when a peak level section is suddenly played.
24. The only means of completely disconnecting the product from the power supply is by removing the power cord from the wall outlet or the product. The wall outlet or the power cord entry to the product must remain freely accessible at all times while the product is in use.
25. Try to install the product near a wall socket or extension cord and shall be easily accessible.
26. The highest environmental temperature suitable for this product is 35°C.
27. ESD hints - If the product maybe reset or not reset to operation of control due to electrostatic discharge, just switch off and reconnect again, or move the product to another location.
28. Battery
 - a. The batteries must not be exposed to excessive heat such as sunshine, fire or the like.
 - b. The batteries should be drawn to the environmental aspects of battery disposal.
 - c. Battery usage **CAUTION**-to prevent battery leakage which may result in body injuries, property damage, or damage to the apparatus:
 - . Install all batteries correctly, + and – as marked on the apparatus.
 - . Do not mix batteries (old and new or carbon and alkaline, etc.)
 - . Remove batteries when the unit is not used for a long time.

ERP2 (Energy Related Products) note

This product with ecodesign complies with the stage 2 requirements of Commission Regulation (EC) NO. 1275/2008 implementing Directive 2009/125/EC regard to standby and off mode electric power consumption of electronic household and office equipment. After 30 minutes without any audio input, the device will automatically switch into standby mode. Follow up the instruction manual to resume the operation.

Important note:

This device is equipped with an energy saving mode: if no signal is given during 30 minutes the device will switch automatically into standby mode in order to save energy (ERP 2 standard). Please note that low volume setting in the audio source may be recognized as "no audio signal": this will affect the capability of signal detection from the device and can also originate an automatic switch into standby mode. If this happens please reactivate the audio signal transmission or increase the volume setting on the audio source player (MP3 player, etc.), in order to resume playback. Please contact the local service center if the problem remains.

WARNING

This appliance is not intended for use by persons (including children) with reduced physical sensory or mental capabilities, or lack of experience and knowledge, unless they have been given supervision or instruction concerning use of the appliance by a person responsible for their safety. Children should be supervised to ensure that they do not play with the appliance.

1. Never use the device unsupervised! Switch off the device whenever you are not using it, even if this only for a short while.
2. The appliance is not intended to be operated by means of an external timer or separate remote control system.
3. If the supply cord is damaged, it must be replaced by the manufacturer, its service agent or similarly qualified persons in order to avoid a hazard.
4. Before operating this system, check the voltage of this system to see if it is identical to the voltage of your local power supply.

5. The unit should not be impeded by covering the ventilation opening with items such as newspaper, table-cloths, curtains etc. Make sure that there are at least 20 cm of space above and at least 5 cm of space on each side of the unit.
6. The apparatus must not be exposed to dripping or splashing and that objects filled with liquids, such as vases, must not be placed on the apparatus.
7. To prevent fire or shock hazard, do not expose this equipment to hot places, rain, moisture or dust.
8. Do not locate this unit near any water sources e.g. taps, bathtubs, washing machines or swimming pools. Ensure that you place the unit on a dry, stable surface.
9. Do not place this unit close to a strong magnetic field.
10. Do not place the unit on an amplifier or receiver.
11. Do not place this unit in a damp area as the moisture will affect the life of electric components.
12. If the system is brought directly from a cold to a warm location, or is placed in a very damp room, moisture may condense on the lens inside the player. If this occurs, the system will not operate properly. Please leave the system turned on for about an hour until the moisture evaporates.
13. Do not attempt to clean the unit with chemical solvents as this might damage the finish. Wipe with a clean, dry or slightly damp cloth.
14. When removing the power plug from the wall outlet, always pull directly on the plug, never pull on the cord.
15. Depending on the electromagnetic waves used by a television broadcast, if a TV is turned on near this unit while it is also on, lines might appear on the TV screen. Neither this unit nor the TV is malfunctioning. If you see such lines, keep this unit well away from the TV set.
16. The mains plug is used as the disconnect device, the disconnect device must remain readily operable.
17. To prevent possible hearing damage, do not listen at high volume levels for long periods.



NOTICE



Conformity

Hereby, Blaupunkt Competence Center 2N-Everpol Sp. z o.o., declares that this equipment is in compliance with the essential requirement and other relevant provisions of Directive 2014/53/EU. Declaration of conformity can be obtained from the product page at www.blaupunkt.com.

Responsible party: 2N-Everpol Sp. z o.o., Puławska 403A, 02-801 Warsaw, Poland, Phone: +48 22 688 08 00, E-mail:

info@everpol.pl



Your product is designed a manufactured with high quality materials and components, which can be recycled and reused.



If there is a crossed-out bin symbol on your device, it means that the product is covered by the provisions of European Directive 2012/19/EU. Based on this, please follow local regulations and familiarize yourself with the requirements for your local electrical and electronic waste collection system and, in the case of this product, comply with them.

DO NOT DISPOSAL THIS PRODUCT WITH YOUR HOUSEHOLD WASTE!

THIS PRODUCT CONTAINS HAZARDOUS SUBSTANCES, MIXTURES AND COMPONENTS WHICH, IF UNAUTHORIZED, CAN BE A SOURCE OF POTENTIAL EFFECTS ON THE NATURAL ENVIRONMENT AND HUMAN HEALTH!

Correct disposal of the used product will prevent negative effects on the environment and human health.



Your product contains batteries covered by the European Directive 2006/66/EC, which cannot be disposed with normal household waste. Please inform yourself about the local rules on separate collection of batteries because correct disposal helps to prevent negative consequences for the environmental and human health.

Environmental information

All unnecessary packaging has been omitted. We have tried to make the packaging easy to separate into three materials: cardboard (box), polystyrene foam (buffer) and poly ethylene (bags, protective foam sheet). Your system consists of material which can be recycled and reused if disassembled by a specialized company. Please observe the local regulations regarding the disposal of packaging materials, exhausted batteries and old equipment.

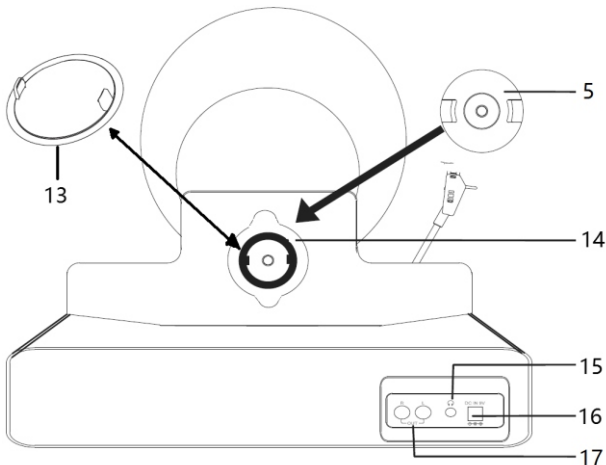
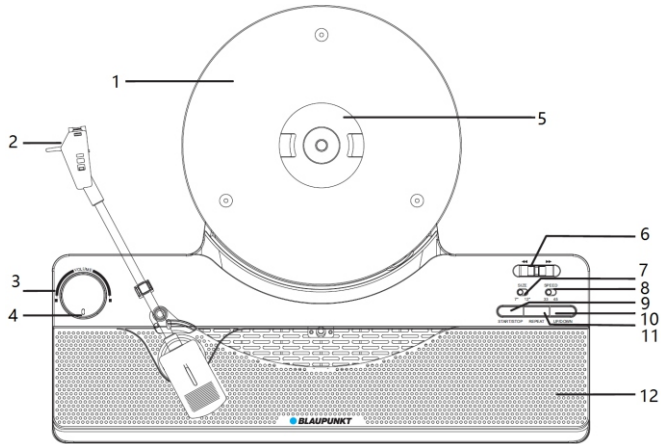
Recording and playback of material might require consent. See Copyright Act 1956 and The Performer's Protection Acts 1958 to 1972.



The Bluetooth® wordmark and logos are registered trademarks owned by Bluetooth SIG, Inc. and any use of such marks by us is under license. Other trademarks and trade names are those of their respective owners.

Many thanks to select our model, please read and reference this manual carefully before operate the unit. Please keep the manual for future operation reference.

Control locations



- 1- Record plate 2-Stylus 3-Function knob(power/mode/Volume)
- 4-Signal LED indicator. (White color = vinyl mode; blinker white color= vinyl stream(Bluetooth out); blue color=Bluetooth in)
- 5- Record fixator 6- Backward/forward selector 7- Record size selector for 7 or 12 inch
- 8- Speed selector (33rpm or 45rpm) 9- Start/stop button 10- Up/down button for tone arm
- 11- Repeat button 12- Speakers 13- Holder ring for 45RPM record 14- Record fixator storage cabinet
- 15- Headphone jack 16- DC IN power jack 17- RCA audio line out jack

Before start the operation, please loose the binding wire on tone arm, and remove the needle transparent protective cover gently(reference below drawing). Plug in the supplied AC/DC power adaptor to an AC household outlet in order to get power source, plug in the DC connector of power adaptor to DC input power jack on the rear panel,

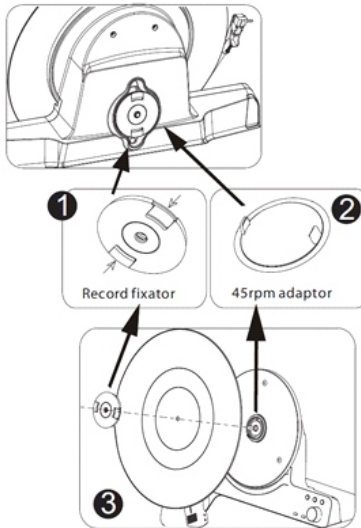


(Remove needle transparent protective cover)

Power on/switch play mode/volume adjustment: press down and hold the function knob 3 seconds to power on/off the unit; short press down the knob to switch the play mode between vinyl/vinyl stream (Bluetooth out)/Bluetooth(Bluetooth in). A relevant notice voice will come out from speaker when you switch the mode. Rotate this knob to decrease or increase the output volume.

General notes regarding vinyl records:

1. Before starting to play a vinyl record, try to clean it of any dust or dirt particles. To do this, use a suitable brush, and in the case of larger dirt, use a special liquid for cleaning vinyl records. These accessories are not included in the set.
2. A dirty and dusty disc will have a major impact on the sound quality, which may result in crackling and minor distortions.
3. If the surface of the record is uneven (a common phenomenon with older records), this may cause the record to sway during playback and change the track path, which will affect the sound quality. Please note that this is not a defect of this turntable. To minimize this phenomenon, try to place the record properly on the platter and fix it securely using the record fixator.



Play vinyl record

Please follow up below step to play the record.

1. Power on the unit, short press the function knob repeatedly to enter the vinyl mode. The signal LED indicator will show in white color.
2. Hold and press the left and right lock button of record fixator in order loose it from record fixator storage cabinet on rear panel.
3. Gently mount and place your vinyl record on the record plate, then put on the record fixator and clip the hold pin in proper position in order to fix the record.
4. Select the correct record size and speed on the front panel.
5. Short press the play/stop button to start playing of the record. The tone arm will auto move to the edge of record for the 1st track playing. Press the button again to stop the playback, and the tone arm will go back to the arm holder automatically.
6. Push out the backward/forward selector to skip to the previous or next track; press the up/down button to suspend or lay down the tone arm.
7. Short press the repeat button to get the repeat playback function for record. The signal LED indicator will light up in green color. When the unit finish the playing, there will auto move and start to play the record from beginning. Press the button again to cancel the repeat function.

Play with 45RPM vinyl record: In case you have and play the 45RPM vinyl record, you have to use and mount the 45RPM holder ring on the turntable plate first. You can get and pick out the holder ring from the recorder fixator storage cabinet on rear panel. Please reference below drawing for operation.

Playing vinyl records with Bluetooth signal transmission to an external device (Bluetooth OUT): This model has a Bluetooth OUT function, which allows wireless transmission of audio signal during vinyl record playback to external devices such as active Bluetooth speakers (e.g. BLAUPUNKT BS60, BS50, BS40 bookshelf speakers or others), Bluetooth headphones and other speakers with Bluetooth IN module. To start the audio signal transmission function to an external Bluetooth device, use the function knob (3) to select the vinyl record playback mode with Bluetooth signal transmission (the LED playback mode indicator should flash white, which means it is ready to pair with an external Bluetooth device, and the speaker will emit a sound message - "VINYL STREAM"). Turn on the external Bluetooth device and switch it to Bluetooth pairing mode (refer to the user manual of the external device for details), this turntable will automatically detect and connect to the external Bluetooth device. After successfully pairing with the external Bluetooth device, the LED indicator will stabilize and light up in white, and the speaker will emit an audio message - "CONNECTED". Then press the START/STOP button (9) to start playing the vinyl record, and the sound will be played through the external Bluetooth device.

Notes:

1. Please note that in this playback mode, the volume control is available on the connected external device, not on this turntable.
2. The optimal working distance between this turntable and the external Bluetooth device is 10 meters, without obstacles between the devices.

Bluetooth playback operation

This product includes Bluetooth function which can wireless playback the music from other Bluetooth device (like smart phone, tablet, TV etc).

1. Power on the unit, press the function knob repeatedly till the blue color signal LED indicator is blinking which means the unit is ready to pair.
2. Enable the Bluetooth function on your device, and search the available device (please reference your device manual for operation), then check the available Bluetooth device on the list. Select "BPVT100" for pairing, and the white color signal LED will become stable after paired successful.
3. Select and play the music from your Bluetooth device, adjust the volume level properly, then the sound will come out from the speaker.
4. In Bluetooth playback mode, you should use your Bluetooth device for operational controlling.

Notices:

- a. All Bluetooth devices are not guaranteed for pairing successfully due to different design and brand.
- b. The best working distance of Bluetooth is within 10 meters without any obstacle in between.
- c. The unit only can pair and work with one Bluetooth device in one time.
- d. In case of an incoming phone call during Bluetooth playback; the music will stop temporary, and resume to playback after end the phone call.

RCA LINE OUT

The Turntable provides one RCA line out jack which allow to wire connect with our external loudspeaker for playback. It is available on vinyl and Bluetooth mode.

Using the RCA to RCA audio cable(not include) connect the RCA line out jack on Turntable with RCA line in jack on your loudspeaker; switch to line in mode, and adjust the volume level on your external loudspeaker; select and play the music on the Turntable, then you can get sound output both on Turntable and external loudspeaker.

In RCA line out playback, you only can control the volume level by the knob on Turntable and external loudspeaker separately. You can decrease the volume on Turntable in order to avoid overlap the sound from outsourcing loudspeaker.

Headphone output: connect the headphone with headphone jack on rear panel can mute the sound from the Turntable, but headphone output only. Please adjust the volume level for listening.

Using an appropriate cable, the signal from the headphone output can also be sent to the AUX input, e.g. in a micro system, active speakers, etc.

In case you have Bluetooth headphone, you can try to connect and play with Turntable in vinyl steam mode (Bluetooth out). The connection is same as above content of this manual.

Replace the Stylus(AT3600L)

The stylus can last about 300 hours under normal using. It is recommended to replace the stylus as soon as you notice a change in sound quality.

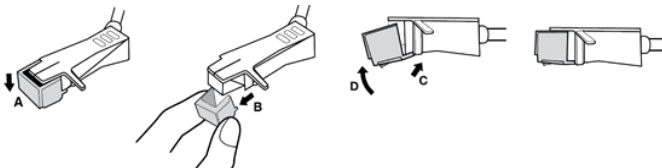
1. Remove the Stylus from the cartridge

- a. Place your fingers at the tip of the stylus and push down to "A".
- b. Pull the stylus out toward the direction "B".

Note: When you are applying force to the Stylus, please take out it gently. The suddenly big force may damage or break the cartridge.

2. Install the Stylus

- a. Hold the tip of the stylus and insert the other edge by pressing toward the direction "C".
- b. Push the stylus up toward the direction "D" until it locks at the tip.



Caution:

1. Turn off the power before you replace the stylus. Do not remove or bend the stylus needle.
2. Sharp edges, do not touch the needle to avoid injury to your hand. Keep out of reach of children.



3. We recommend to have experienced or professional service person for the Stylus replacement.

Trouble shooting

1. The speaker cannot turn on.

a. Please check if the power connection is correct.

2. No sound output.

a. Please try to adjust the volume knob and check the play source.

b. please contact service center for support if the issue remained.

3. Sound distortion.

a. Please try to adjust and play the music at a lower volume level.

b. Please try to clean up your vinyl record, and retry.

4. The sound is sounding intermittently in Bluetooth mode.

a. Please try to move the Bluetooth device closer to speaker.

b. Please try to repair the speaker with Bluetooth device.

Specification

Power source: DC IN, 9V/1.5A

RMS output: 2 x 5W, THD10%

Bluetooth version: V5.1

Bluetooth in/out work range: approx.10 meters

Transmission frequency: 2.402~2.480GHz

Protocols: A2DP/AVCTP/AVDTP/AVRCP/GAVDP/HFP/HID/OPP/RFCOMM/SPP

Turntable rotation deviation: axial run-out <0.6mm

Cartridge tracing force: 3.5 +/-0.5g

Cartridge model number: AT3600L, Audio Technica brand

Power consumption: 13.5W

Standby power consumption: <0.5W

(Notes: the product spec may change without prior notice).

Ważne instrukcje dotyczące bezpieczeństwa



PRZESTROGA



ZAGROŻENIE PORAZIENIEM ELEKTRYCZNYM
NIE OTWIERAĆ

Przeostroga:

Aby zmniejszyć ryzyko porażenia prądem, nie wolno demontować pokrywy ani tylnej części urządzenia. Wewnątrz urządzenia nie znajdują się elementy przeznaczone do samodzielnej naprawy przez użytkownika. Konserwacją i naprawą sprzętu zajmują się wyłącznie wykwalifikowani pracownicy serwisu.

Objaśnienie symboli graficznych:



Symbol błyskawicy zakończony strzałką umieszczonej w trójkącie równobocznym ostrzega użytkownika przed niez izolowanym „niebezpiecznym napięciem” w obrębie obudowy urządzenia, które może osiągnąć wielkość grożącą porażeniem prądem elektrycznym.



Znak wykrzyknika w trójkącie równobocznym ostrzega użytkownika, że w tym momencie przedstawione są ważne informacje dotyczące obsługi i konserwacji sprzętu w dokumentacji, dołączonej do urządzenia.

Prosimy o przeczytanie tej instrukcji przed przystąpieniem do obsługi urządzenia, aby zapoznać się z jego funkcjami i wykorzystać je zgodnie z przeznaczeniem. Zapewni to długotrwałą, bezawaryjną obsługę urządzenia i przyjemność z użytkowania.

Ważne informacje

- Należy zachować instrukcję obsługi oraz informacje dotyczące bezpieczeństwa w celu wykorzystania ich w przyszłości.
- Nie należy dopuszczać do tego, aby na urządzenie kapala lub wylewała się ciecz. Nie wolno też używać go w wilgotnych miejscach, jak np. łazienka.
- Nie wolno instalować tego urządzenia w następujących miejscach:
 - Wystawionych na bezpośrednie działanie promieni słonecznych lub w pobliżu grzejników.
 - Kłaść go na wierzchu innego sprzętu stereofonicznego który wydziela ciepło.
 - Blokując wentylację lub w zapyłonym miejscu.
 - W miejscach narażonych na ciągłe drgania.
 - W miejscach o wysokiej wilgotności.
- Nie wolno stawiać urządzenia w pobliżu świecec lub otwartego ognia.
- Urządzenia można używać wyłącznie w sposób opisany w niniejszej instrukcji.
- Przed pierwszym włączeniem zasilania należy upewnić się, że zasilacz został prawidłowo podłączony.
- Pamięć USB podłącza się bezpośrednio lub przy użyciu przedłużacza USB o długości do 25 cm

Ze względów bezpieczeństwa nie należy demontować obudów ani uzyskiwać dostępu do wnętrza urządzenia. Urządzenie powinno być naprawiane przez wykwalifikowany personel serwisu.

Nie wolno rozkręcać urządzenia ani otwierać jego obudowy, gdyż wewnątrz nie ma żadnych części, które mogłyby być naprawiane przez użytkownika. Konserwacją i naprawą sprzętu zajmują się wyłącznie wykwalifikowani pracownicy serwisu.

INSTRUKCJE DOTYCZĄCE BEZPIECZEŃSTWA

- Przeczytać instrukcję — przed korzystaniem z urządzenia należy przeczytać całość instrukcji obsługi oraz informacje o bezpieczeństwie.
- Zachować instrukcje — należy zachować instrukcje użytkowania i obsługi w celu wykorzystania ich w przyszłości.
- Przeostrzeżenia — należy postępować zgodnie z wszystkimi ostrzeżeniami zamieszczonymi na urządzeniu oraz zgodnie z instrukcją obsługi.
- Przeostrzeżenia instrukcji — należy postępować zgodnie z instrukcją obsługi oraz wskazówkami dla użytkownika.
- Instalacja — należy ustawić urządzenie zgodnie z instrukcjami producenta.
- Źródła zasilania – urządzenie powinno być zasilane wyłącznie ze źródeł o parametrach podanych na oznaczeniach na kablu zasilania. Jeżeli użytkownik nie jest pewien, jakiego rodzaju zasilaniem dysponuje w domu, powinien skontaktować się ze sprzedawcą urządzenia lub lokalnym dostawcą energii elektrycznej.
- Uziemienie lub polaryzacja zasilania — urządzenie nie musi być uziemione. Należy upewnić się, że wtyczka jest do końca włożona do gniazdka sieciowego lub przedłużacza, aby nie dopuścić do odslonięcia bolców lub styków. Niektóre wersje urządzenia mogą być wyposażone w spolaryzowaną wtyczkę prądu przemiennego (z jednym bolcem szerszym). Tę wtyczkę można włożyć do gniazdka sieciowego tylko w jeden sposób. Jest to funkcja zabezpieczająca. Jeśli nie można włożyć wtyczki do gniazdka, należy spróbować ją odwrócić. Jeśli wtyczka nadal nie pasuje do gniazdka, należy zlecić elektrykowi jego wymianę. Nie wolno zdejmować z zabezpieczeń z wtyczki spolaryzowanej. Gdy korzysta się z przedłużacza lub kabla zasilania innego niż dostarczony razem z urządzeniem, powinny mieć właściwe wtyczki oraz atest bezpieczeństwa wymagany w danym kraju.
- Zabezpieczenie kabla zasilania — kable zasilania należy poprowadzić w taki sposób, aby nie można było po nich chodzić, przyciskając lub przyciągając postawionymi przedmiotami. Zwrócić szczególną uwagę na wtyczki, gniazdka sieciowe i miejsca, w którym kable są wyprowadzone z urządzenia.
- Przeciążenie — nie wolno przeciążać gniazdek ściennych, przedłużaczy i rozdzielaczy elektrycznych, ponieważ grozi to wybuchem pożaru lub porażeniem prądem elektrycznym.
- Wentylacja — urządzenie musi być poprawnie wentylowane. Nie wolno ustawiać urządzenia na łóżku, sofie lub podobnych powierzchniach. Nie wolno przykrywać urządzenia obrusami, serwetkami, gazetami itd.

11. Ciepło — nie ustawiać urządzenia w pobliżu źródeł ciepła, takich jak grzejniki, promienniki, piece lub innych urządzeń (również wzmacniacze) wytwarzających ciepło. Nie stawiać na urządzeniu zapalonych świeci i innych źródeł otwartego ognia.
12. Woda i wilgoć — aby zmniejszyć zagrożenie pożarem lub porażeniem elektrycznym, nie wolno narażać urządzenia na bezpośrednie działanie deszczu, wody i wilgoci, jak np. w saunie czy w łazience. Nie używać niniejszego urządzenia w pobliżu wody, na przykład obok wanny, umywalki, zlewu kuchennego lub balii, w wilgotnej piwnicy lub w pobliżu basenu (lub w podobnych miejscach).
13. Przedmioty i cieczy w urządzeniu — nie należy wciskać jakichkolwiek przedmiotów przez otwory urządzenia, ponieważ mogą one zetknąć się z punktami niebezpiecznego napięcia i podnieść pożar lub porażenie prądem. Pod żadnym pozorem nie należy rozlewać jakichkolwiek cieczy na powierzchni urządzenia. Nie wolno kłaść na wierzchu urządzenia przedmiotów zawierających cieczy.
14. Czyszczenie — należy zawsze odłączyć urządzenie od gniazdka sieciowego przed czyszczeniem. Kurz dookoła głośnika można usunąć suchą szmatką. Jeśli do czyszczenia ma być użyty aerosol, nie należy kierować rozpylanego strumienia bezpośrednio na urządzenie, ale na szmatkę. Należy uważać, aby nie uszkodzić jednostek napędowych.
15. Wyposażenie dodatkowe — nie wolno używać akcesoriów, które nie są dopuszczone przez producenta, gdyż mogą stwarzać zagrożenie.
16. Akcesoria — nie wolno ustawiać urządzenia na niestabilnym wózku, stojaku, statywie, wsporniku czy stole. Urządzenie może ulec przewróceniu i uszkodzeniu oraz spowodować poważne obrażenia u dziecka lub osoby dorosłej. Należy używać wyłącznie wózków, stojaków, statywów, wsporników i stołów określonych przez producenta albo sprzedawanych wraz z urządzeniem. Montaż urządzenia należy przeprowadzać zgodnie z instrukcjami producenta, przy użyciu zestawu montażowego zalecanego przez producenta.
17. Przenoszenie urządzenia — urządzenie umieszczone na wózku należy przesuwać bardzo ostrożnie. Gwałtowne zatrzymanie, zbyt duża siła lub nierówne powierzchnie mogą spowodować przewrócenie wózka wraz z urządzeniem.
18. Okres nieużywania urządzenia — kabel zasilania urządzenia należy odłączyć od gniazdka sieciowego w trakcie burz z wyładowaniami atmosferycznymi lub gdy urządzenie nie będzie używane przez dłuższy czas.
19. Serwisowanie — nie należy próbować własnoręcznie przeglądać urządzenia. Otwieranie pokrywy może spowodować kontakt z niebezpiecznym napięciem i narazić użytkownika na inne niebezpieczeństwa. Konserwacją i naprawą sprzętu zajmują się wyłącznie wykwalifikowani pracownicy serwisu.
20. Gdy urządzenie nie jest używane, należy odłączyć jego wtyczkę zasilania od gniazdka sieciowego. Gdy urządzenie jest podłączone do źródła zasilania, znajduje się w trybie czuwania i nie jest całkowicie wyłączone.
21. Części zamienne — przy wymianie części należy sprawdzić, czy pracownik serwisu użył części zamiennych zalecanych przez producenta lub też czy części są identyczne jak część oryginalna. Dokonywanie wymiany na niezatwierdzone części grozi wybuchem pożaru, porażeniem prądem elektrycznym lub innymi niebezpieczeństwami.
22. Główne bezpieczniki — aby zabezpieczyć w sposób ciągły urządzenie przed pożarem, należy używać bezpieczników właściwego typu i parametrów. Parametry bezpieczników w danym zakresie napięcia są zaznaczone na urządzeniu.
23. Nie wolno zwiększać głośności przy słuchaniu części utworu o małej głośności lub przy braku wejściowego sygnału audio. W innym wypadku może dojść do uszkodzenia głośnika przy gwałtownym wzroście natężenia sygnału.
24. Jedynym sposobem całkowitego odłączenia urządzenia od źródła zasilania jest odłączenie kabla zasilania z gniazdka zasilania lub z urządzenia. Gniazdko sieciowe lub wejście kabla zasilania do urządzenia muszą być zawsze dostępne w trakcie używania produktu.
25. Urządzenie powinno się ustawić w pobliżu gniazdka sieciowego lub przedłużacza i w taki sposób, aby zawsze było dostępne.
26. Maksymalna temperatura otoczenia urządzenia wynosi 35°C.
27. Wskazówki dotyczące wyładowań elektrostatycznych — jeśli działanie urządzenia jest zakłócone wyładowaniami elektrostatycznymi, należy go wyłączyć i ponownie włączyć lub przenieść urządzenie w inne miejsce.
28. Bateria
 - a. Bateria nie mogą być narażone na działanie nadmiernego ciepła, jak np. promieni słonecznych, ognia itp.
 - b. Podczas utylizacji baterii należy zwrócić uwagę na aspekty ochrony środowiska.
 - c. Przestroga dotycząca używania baterii: aby nie dopuścić do rozszczelnienia baterii, które może spowodować obrażenia ciała bądź uszkodzenie urządzenia:
 - Podczas wkładania baterii zwrócić uwagę na jej polaryzację (+ i -).
 - Nie wolno jednocześnie używać różnych baterii — starych i nowych baterii standardowych i alkalicznych itd.
 - Należy wyjąć baterie z urządzenia, gdy nie będą one używane przez dłuższy czas.

Uwaga dotycząca ERP2 (urządzeń związanych z energią)

Niniejsze urządzenie z ekoprojektem spełnia wymagania etapu 2 Rozporządzenia Komisji (WE) nr 1275/2008 wprowadzającego dyrektywę 2009/125/WE dotyczącą poboru energii przez wyłączone i znajdujące się w trybie czuwania urządzenia elektroniczne do zastosowań biurowych i domowych.

Po upłygnięciu 30 minut bez wejściowego sygnału audio urządzenie automatycznie przejdzie w tryb czuwania. Informacje na temat przywrócenia normalnego działania można znaleźć w instrukcji obsługi.

Ważne informacje:

Niniejsze urządzenie jest wyposażone w funkcję trybu oszczędzania energii: jeśli w ciągu 15 minut nie jest podawany do niego żaden sygnał wejściowy, urządzenie automatycznie przejdzie w tryb czuwania w celu oszczędzania energii (norma ERP 2). Należy zauważyć, że ustawienie niskiego poziomu głośności w źródle sygnału audio może zostać rozpoznane jako stan „braku sygnału audio”: może to mieć wpływ na zdolność wykrywania sygnału z urządzenia oraz spowodować automatycznie przejście w tryb czuwania. W takim wypadku należy przywrócić transmisję sygnału audio lub zwiększyć poziom głośności w źródle sygnału audio (odtwarzaczu MP3 itp.) w celu wznowienia odtwarzania. Jeśli problem nie ustąpi, prosimy o kontakt z lokalnym serwisem.

OSTRZEŻENIE

Urządzenie nie powinno być używane przez osoby (w tym dzieci) o obniżonej sprawności fizycznej, sensorycznej lub umysłowej oraz osoby z niewystarczającą wiedzą i doświadczeniem, jeśli nie znajdują się one pod nadzorem osoby odpowiedzialnej za ich bezpieczeństwo i nie zostały poinstruowane jak bezpiecznie używać urządzenia. Obecność osób dorosłych jest wymagana, jeśli urządzenie obsługują dzieci; pozwoli to zapewnić bezpieczne korzystanie z urządzenia.

1. Nie wolno pozostawić pracującego urządzenia bez nadzoru! Należy wyłączać urządzenie, gdy nie jest ono używane, nawet przez krótką chwilę.
2. Urządzenia nie wolno obsługiwać za pośrednictwem zewnętrznego zegara z układem czasowym ani za pomocą oddzielnego układu ze zdalnym sterowaniem.
3. Aby uniknąć zagrożenia w przypadku uszkodzenia przewodu zasilania, wymianę powinien wykonać producent, autoryzowany punkt serwisowy lub inna osoba posiadająca odpowiednie kwalifikacje.
4. Przed przystąpieniem do obsługi urządzenia należy sprawdzić, czy jego napięcie odpowiada napięciu występującemu w lokalnej sieci zasilającej.
5. Nie wolno zakrywać otworów wentylacyjnych urządzenia np. gazetami, obrusem, zasłonami itp. Należy upewnić się, że nad urządzeniem jest co najmniej 20 cm wolnego miejsca, a z każdej jego strony — co najmniej 5 cm.
6. Nie należy dopuszczać do tego, aby na urządzenie kapąła lub wylewała się ciecz, ani nie należy stawiać na nim przedmiotów wypełnionych cieczami, takich jak wazony.
7. Aby uniknąć pożaru lub porażenia prądem elektrycznym, należy chronić urządzenie przed gorącymi miejscami, działaniami deszczu, wilgoci i pyłu.
8. Nie wolno ustawiać urządzenia w pobliżu jakichkolwiek źródeł wody, np. kranów, wanien, pralek lub basenów pływackich. Urządzenie należy ustawić na równym i stabilnym podłożu.
9. Nie wolno narażać urządzenia na silne pole magnetyczne.
10. Nie wolno stawiać urządzenia bezpośrednio na wzmacniaczu lub amplitunerze.
11. Nie wolno stawiać urządzenia w wilgotnym miejscu, gdyż wilgoć ma szkodliwy wpływ na podzespoły elektryczne.
12. Po wniesieniu urządzenia z zimnego do ciepłego miejsca lub do wilgotnego miejsca może dojść do kondensacji wilgoci na soczewce wewnątrz odtwarzacza. W takiej sytuacji urządzenie nie będzie działać prawidłowo. Należy pozostawić włączone urządzenie na około jedną godzinę, aby umożliwić odparowanie wilgoci.
13. Nie wolno czyścić urządzenia rozpuszczalnikami chemicznymi, gdyż mogą one zniszczyć lakier obudowy. Urządzenie wyciera się czystą, suchą lub nieznacznie zwilżoną ściereczką.
14. Podczas wyciągania wtyczki z gniazdka ściennego należy zawsze ciągnąć za wtyczkę, nigdy za kabel zasilania.
15. Gdy włączone urządzenie jest używane w pobliżu włączonego telewizora, może to być źródłem zakłóceń obrazu w postaci linii na ekranie. Zależy to od pasma fal transmisji TV. Nie oznacza to nieprawidłowego działania urządzenia ani telewizora. Jeśli są widoczne takie linie, należy odsunąć urządzenie od telewizora.
16. Wtyczka sieciowa jest używana do odłączania napięcia zasilającego i powinna być zawsze dostępna.
17. Aby nie dopuścić do ewentualnej utraty słuchu, nie wolno słuchać głośno muzyki przez dłuższy czas.



UWAGA

Deklaracja



Niniejszym Blaupunkt Competence Center 2N-Everpol Sp. z o.o. oświadcza, że to urządzenie jest zgodne z wymogami i innymi odpowiednimi postanowieniami dyrektywy 2014/53 / UE. Pełną deklarację zgodności można uzyskać na stronie www.blaupunkt.com w zakładce produktu.

Podmiot odpowiedzialny: 2N-Everpol Sp. z o.o., Puławska 403A, 02-801 Warszawa, Polska, Telefon: +48 22 688 08 00., e-mail: info@everpol.pl



Produkt został wyprodukowany z wysokiej jakości materiałów i podzespołów, które można poddać recyklingowi i ponownie użyć.



Jeśli na urządzeniu znajduje się znak przekreślonego kosza na śmieci, oznacza to, że produkt jest objęty postanowieniami dyrektywy europejskiej 2012/19/EU. Na jej podstawie należy postępować zgodnie z lokalnymi przepisami i zapoznać się z wymaganiami dotyczącymi lokalnego systemu zbiórki odpadów elektrycznych i elektronicznych i w przypadku tego produktu, zastosować się do nich.

NIE WOLNO WYRZUCAĆ TEGO PRODUKTU RAZEM ZE ZWYKŁYMI ODPADAMI DOMOWYMI!

NINIEJSZY PRODUKT ZAWIERA NIEBEZPIECZNE: SUBSTANCJE, MIESZANINY I CZĘŚCI SKŁADOWE, KTÓRE ZUTYLIZOWANE W NIEDOZWOLONY SPOŚÓB, MOGĄ BYĆ ŹRÓDŁEM POTENCJALNYCH SKUTKÓW DLA ŚRODOWISKA NATURALNEGO ORAZ ZDROWIA LUDZKIEGO!

Poprawne usunięcie użytego produktu, zapobiegnie negatywnym skutkom dla środowiska naturalnego i zdrowia ludzkiego.



Urządzenie jest wyposażone w baterie objęte dyrektywą europejską 2006/66/WE. Baterii nie wolno wyrzucać razem z odpadami gospodarstwa domowego. Należy zapoznać się z lokalnymi przepisami dotyczącymi oddzielnej zbiórki baterii, ponieważ prawidłowa utylizacja zapobiegnie potencjalnym negatywnym skutkom dla środowiska naturalnego i zdrowia ludzkiego.

Informacje o ochronie środowiska naturalnego

Opakowanie zawiera tylko niezbędne elementy. Dołożono wszelkich starań, aby trzy materiały składowe opakowania były łatwe do oddzielenia: karton (pudełko), pianka polistyrenowa (zabezpieczenia wewnątrz) i polietylen (torebki, arkusz ochronny). Urządzenie wyprodukowano z materiałów, które można poddać recyklingowi i użyć ponownie po ich demontażu przez wyspecjalizowaną firmę. Należy przestrzegać lokalnych przepisów dotyczących utylizacji materiałów opakowaniowych, zużytych baterii i niepotrzebnych urządzeń.

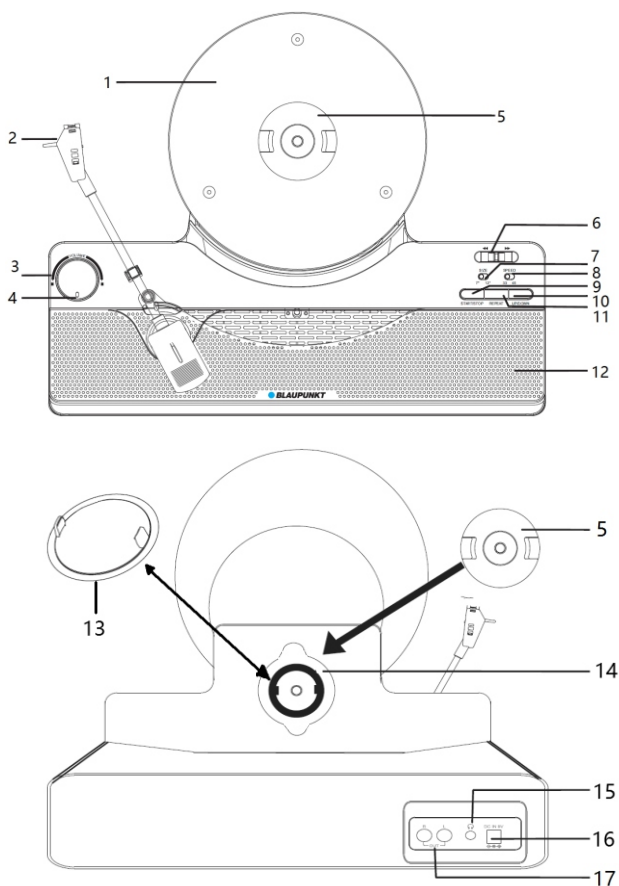
Nagrywanie i odtwarzanie materiałów może wymagać uzyskania zgody. Patrz ustawa o prawach autorskich i prawach wykonawców/artystów.



Właścicielem znaków towarowych i logo Bluetooth® jest firma Bluetooth SIG, Inc. USA. Użycie tych znaków i logo podlega licencji. Inne znaki i nazwy handlowe należą do odpowiednich właścicieli.

Dziękujemy za wybranie naszego modelu, prosimy o uważne przeczytanie i zapoznanie się z niniejszą instrukcją przed rozpoczęciem użytkowania urządzenia. Prosimy o zachowanie instrukcji do wykorzystania w przyszłości.

Lokalizacja elementów sterowania



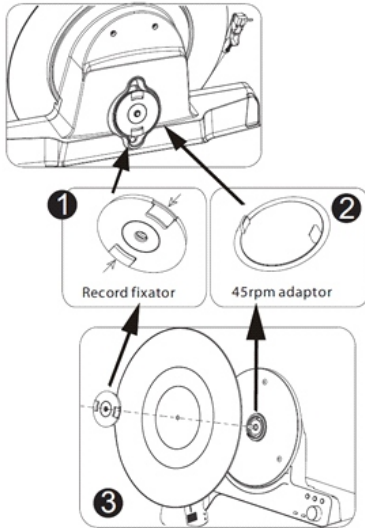
- | | |
|---|---|
| 1- Talerz gramofonu | 2- Wkładka gramofonowa z igłą |
| 3- Pokrętło funkcyjne (włączanie/wyłączanie zasilania, wybór trybu odtwarzania, regulacja głośności) | |
| 4- Ledowy wskaźnik trybu odtwarzania. (Kolor biały = tryb odtwarzania płyt winylowych; Kolor biały migający = tryb odtwarzania płyt winylowych z transmisją sygnału Bluetooth do urządzeń zewnętrznych np. zewnętrzne głośniki aktywne, słuchawki Bluetooth itp.; Kolor niebieski = tryb odtwarzania Bluetooth dla urządzeń zewnętrznych – smartfon, tablet, PC) | |
| 5- Pierścień mocujący do zamocowania płyty winylowej na talerzu gramofonu | 7- Przełącznik do wyboru rozmiaru płyty: 7" lub 12" |
| 6- Przełącznik sterowania odtwarzaniem do przodu/do tyłu | 8- Przełącznik wyboru prędkości odtwarzania (33 obr./min lub 45 obr./min) |
| 9- Przycisk START/STOP do uruchamiania i zatrzymywania odtwarzania płyty winylowej | 10- Przycisk UP/DOWN do opuszczania i podnoszenia ramienia gramofonu |
| 11- Przycisk do uruchomienia funkcji powtarzania odtwarzania płyty REPEAT | |
| 12- Wbudowany głośnik | 13- Pierścień centrujący płyty z dużym otworem |
| 14- Uchwyt do przechowywania pierścienia centrującego i mocującego płytę | 15- Wyjście słuchawkowe |
| 16- Gniazdo zasilania prądem stałym DC | 17- Wyjście liniowe audio RCA |

Przed pierwszym użyciu gramofonu należy zdjąć przewód zabezpieczający z ramienia gramofonu i delikatnie zdjąć przezroczystą osłonę ochronną igły (patrz rysunek poniżej). Podłącz dostarczony zasilacz AC/DC do domowego gniazda AC, aby uzyskać źródło zasilania, podłącz złącze DC zasilacza do gniazda zasilania DC na tylnym panelu,



(Zdejmij przezroczystą osłonę ochronną igły)

Włączanie/wyłączanie gramofonu/przełączanie trybu odtwarzania/regulacja głośności: naciśnij i przytrzymaj pokrętkę funkcyjną przez 3 sekundy, aby włączyć/wyłączyć urządzenie; naciśnij krótko pokrętkę, aby przełączyć tryb odtwarzania pomiędzy odtwarzaniem płyty winylowej/transmisją sygnału odtwarzania płyty winylowej za pomocą Bluetooth OUT /odtwarzaniem Bluetooth (Bluetooth IN). Po przełączeniu trybu odtwarzania pojawi się odpowiedni komunikat głosowy informujący o wybranym trybie. Obróć pokrętkę, aby zmniejszyć lub zwiększyć głośność wyjściową.



Uwagi ogólne odnośnie płyt winylowych:

1. Przed rozpoczęciem odtwarzania płyty winylowej postaraj się ją oczyścić ze znajdujących się na niej drobinek kurzu lub pyłu. Do wykonania tej czynności użyj odpowiedniej szczotki, a w przypadku większych zabrudzeń użyj specjalnego płynu do czyszczenia płyt winylowych. Akcesoria te nie są częścią zestawu.
2. Zabrudzona i zakurzona płyta będzie miała duży wpływ na jakość odtwarzanego dźwięku, który może objawiać się występowaniem trzasków i drobnych zniekształceń.
3. W przypadku, gdy powierzchnia płyty jest nierówna (często spotykane zjawisko w przypadku starszych płyt) może to spowodować kołysanie płyty podczas odtwarzania i zmianę toru ścieżki, co będzie miało wpływ na jakość dźwięku. Należy pamiętać, że nie jest to wadą niniejszego gramofonu. Aby zminimalizować to zjawisko postaraj się odpowiednio ułożyć płytę na talerzu i dobrze ją zamocuj przy użyciu pierścienia mocującego.

Odtwarzanie płyt winylowych

Aby odtworzyć płytę, wykonaj poniższe czynności.

1. Włącz urządzenie, naciśnij krótko pokrętkę funkcyjną (3), aby przejść do trybu odtwarzania płyt winylowych. Ledowy wskaźnik wyboru trybu (4) będzie świecił na biało a z głośnika zostanie wyemitowany komunikat dźwiękowy „VINYL”.
2. Naciśnij i przytrzymaj lewy i prawy przycisk blokady mocowania pierścienia mocującego płytę winylową do talerza, aby wyjąć go z uchwytu na tylnym panelu gramofonu
3. Ostrożnie umieść płytę winylową na talerzu gramofonu, następnie przymocuj ją do talerza przy użyciu pierścienia mocującego, zatrzaskując go na szpindlu wystającym z otworu centralnego płyty.
4. Za pomocą przycisków na przednim panelu wybierz odpowiedni rozmiar płyty (7) i prędkość obrotową (8).

5. Naciśnij krótko przycisk START/STOP, aby rozpocząć odtwarzanie płyty. Ramię gramofonu automatycznie przesunie się do krawędzi płyty, aby rozpocząć odtwarzanie pierwszego otworu. Naciśnij ten przycisk ponownie, aby zatrzymać odtwarzanie, a ramię gramofonu automatycznie powróci do uchwytu ramienia.
6. Aby przejść do poprzedniego lub następnego otworu, odpowiednio przesuń przełącznik sterowania odtwarzaniem do przodu/do tyłu (6); aby podnieść lub opuścić ramię gramofonu, naciśnij przycisk UP/DOWN (10).
7. Naciśnij krótko przycisk powtarzania REPEAT (11), aby włączyć funkcję powtarzania odtwarzania płyty winylowej. Ledowy wskaźnik (4) zaświeci się na zielono. Gdy urządzenie zakończy odtwarzanie płyty, ramię automatycznie przesunie się i rozpocznie odtwarzanie płyty od początku. Naciśnij przycisk REPEAT (11) ponownie, aby anulować funkcję powtarzania.

Odtwarzanie płyt z dużym otworem centralnym (zazwyczaj płyty o prędkości odtwarzania 45 obr/min): W przypadku odtwarzania płyty winylowej z dużym otworem centralnym, należy najpierw umieścić na wgłębieniu w talerzu (w jego centralnej części) pierścień centrujący, który znajduje się w uchwycie na tylnym panelu gramofonu, następnie należy nałożyć na niego płytę winylową z dużym otworem i zamocować pierścień mocujący tak, aby wystające z pierścienia centrującego zaczepy, wsunęły się w otwory w wewnętrznej części pierścienia mocującego. Zapoznaj się z powyższym rysunkiem dotyczącym tej operacji.

Odtwarzanie płyt winylowych z transmisją sygnału Bluetooth do urządzenia zewnętrznego (Bluetooth OUT): Niniejszy model posiada funkcję Bluetooth OUT, umożliwiającą bezprzewodową transmisję sygnału audio podczas odtwarzania płyty winylowej, do zewnętrznych urządzeń takich jak aktywne głośniki Bluetooth (np. głośniki półkowe BLAUPUNKT BS60, BS50, BS40 lub inne), słuchawki Bluetooth oraz inne głośniki posiadające moduł Bluetooth IN. Aby uruchomić funkcję transmisji sygnału audio do zewnętrznego urządzenia Bluetooth, należy za pomocą pokrętki funkcyjnej (3) wybrać tryb odtwarzania płyty winylowej z transmisją sygnału Bluetooth (ledowy wskaźnik trybu odtwarzania powinien migać w kolorze białym, co

oznacza gotowość do sparowania z zewnętrznym urządzeniem Bluetooth, a z głośnika zostanie wyemitowany komunikat dźwiękowy – „VINYL STREAM”). Włącz zewnętrzne urządzenie Bluetooth i przełącz go w tryb parowania Bluetooth (sprawdź szczegóły w instrukcji obsługi urządzenia zewnętrznego), niniejszy gramofon automatycznie wykryje i połączy się z zewnętrznym urządzeniem Bluetooth. Po pomyślnym sparowaniu z zewnętrznym urządzeniem Bluetooth ledowy wskaźnik ustabilizuje się i będzie świecił w kolorze białym, a z głośnika zostanie wyemitowany komunikat dźwiękowy – „CONNECTED”. Następnie naciśnij przycisk START/STOP (9) w celu uruchomienia odtwarzania płyty winylowej, a dźwięk będzie odtwarzany za pomocą zewnętrznego urządzenia Bluetooth.

Uwagi:

1. Należy pamiętać, że w tym trybie odtwarzania regulacja głośności dostępna jest w podłączonym urządzeniu zewnętrznym a nie w niniejszym gramofonie.
2. Optymalna odległość robocza pomiędzy niniejszym gramofonem a zewnętrznym urządzeniem Bluetooth wynosi 10 metrów, bez przeszkód pomiędzy urządzeniami.

Odtwarzanie Bluetooth IN

Niniejszy gramofon posiada funkcję Bluetooth, która umożliwia bezprzewodowe odtwarzanie muzyki z innych urządzeń Bluetooth (np. smartfonów, tabletów, telewizorów itp.) za pomocą wbudowanych głośników.

1. Włącz urządzenie i naciśnij pokrętko funkcyjne (3), aż ledowy wskaźnik wyboru trybu (4) będzie migał w kolorze niebieskim, a z głośnika zostanie wyemitowany komunikat dźwiękowy – „BLUETOOTH”, co oznacza, że urządzenie jest gotowe do sparowania z zewnętrznym urządzeniem Bluetooth.
2. Włącz funkcję Bluetooth w zewnętrznym urządzeniu Bluetooth i wyszukaj dostępne do sparowania urządzenia (sprawdź instrukcję obsługi urządzenia zewnętrznego), a następnie sprawdź dostępne urządzenie Bluetooth na liście. Wybierz „BP VT100” do sparowania, ledowy wskaźnik wyboru trybu (4) niniejszego gramofonu zaświeci się stabilnie po pomyślnym sparowaniu, a z jego głośnika zostanie wyemitowany komunikat dźwiękowy – „CONNECTED”.
3. Wybierz i odtwórz muzykę z zewnętrznego urządzenia Bluetooth, odpowiednio wyreguluj poziom głośności, a następnie dźwięk będzie wydobywał się z wbudowanego w niniejszy gramofon głośnika.
4. W trybie odtwarzania Bluetooth należy używać zewnętrznego urządzenia Bluetooth do sterowania.

Uwagi:

- a. Nie gwarantuje się, że wszystkie urządzenia Bluetooth będą się poprawnie parować ze względu na różną konstrukcję i markę.
- b. Najlepsza odległość robocza Bluetooth wynosi 10 metrów bez żadnych przeszkód pomiędzy urządzeniami.
- c. Urządzenie może sparować się i pracować tylko z jednym urządzeniem Bluetooth w tym samym czasie.
- d. W przypadku połączenia przychodzącego podczas odtwarzania przez Bluetooth; muzyka zostanie tymczasowo zatrzymana i wznowiona po zakończeniu połączenia telefonicznego.

Wyjście liniowe RCA

Gramofon posiada jedno wyjście liniowe RCA, które umożliwia przewodowe połączenie z zewnętrznym głośnikiem aktywnym lub wzmacniaczem. Sygnał na wyjściu liniowym dostępny jest podczas odtwarzania płyty winylowej i w trybie Bluetooth.

Za pomocą przewodu audio RCA - RCA (brak w zestawie) podłącz wyjście liniowe RCA w gramofonie do wejścia liniowego RCA w urządzeniu zewnętrznym; W urządzeniu zewnętrznym przełącz źródło w tryb wejścia liniowego i dostosuj poziom głośności; wybierz i odtwórz muzykę w gramofonie, a następnie dźwięk pojawi się zarówno w wbudowanym w gramofonie głośniku, jak i w zewnętrznym urządzeniu.

Aby uniknąć nakładania się dźwięku z wbudowanych w gramofon głośników i podłączonych pod wyjście liniowe RCA urządzeń zewnętrznych, możliwe jest zupełne wyciszenie dźwięku w głośnikach w gramofonie za pomocą pokrętła funkcyjnego (3).

Sygnał na wyjściu liniowym ma stały poziom i jego głośność może być regulowana za pomocą regulatora głośności w urządzeniu zewnętrznym.

Wyjście słuchawkowe: podłącz słuchawki przewodowe do gniazda słuchawkowego na tylnym panelu gramofonu. Dźwięk we wbudowanych głośnikach zostanie wyciszony i będzie dostępny tylko w słuchawkach. Dostosuj poziom głośności w słuchawkach za pomocą pokrętła funkcyjnego (3).

Przy użyciu odpowiedniego przewodu, sygnał z wyjścia słuchawkowego można również wprowadzić do wejścia AUX np. w mikrofonie, aktywnych głośnikach itp.

W przypadku używania słuchawek Bluetooth sugerujemy podłączenie ich w trybie odtwarzania płyt winylowych z transmisją sygnału Bluetooth do urządzenia zewnętrznego (Bluetooth OUT). Sposób połączenia został opisany w poprzednim rozdziale niniejszej instrukcji.

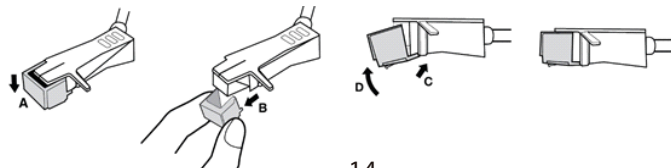
Wymiana igły we wkładce AT3600L

Igła może wytrzymać około 300 godzin przy normalnym użytkowaniu. Zaleca się wymianę igły, gdy tylko zauważysz zmianę w jakości dźwięku.

1. Wymijanie igły z wkładki

- a. Delikatnie chwyc palcami boki obudowy igły i przesun ją w dół (jak na rysunku "A")
- b. Wyciągnij igłę tak jak pokazano na rysunku "B".

Uwaga: Podczas wymijania igły z wkładki należy to robić delikatnie. Użycie zbyt dużej siły może uszkodzić wkładkę lub złamać igłę.



2. Instalowanie nowej igły we wkładce

- a. Przytrzymaj obudowę igły i włóż ją do wkładki w kierunku, jak pokazano na rysunku "C".
- b. Przesuń igłę w górę, jak pokazano na rysunku "D" do momentu aż się zablokuje we wkładce.

Ostrzeżenie:

1. Przed wymianą igły odłącz gramofon od zasilania. Nie wyjmuj samej igły z obudowy ani jej nie zginaj.
2. Ostre krawędzie, nie dotykaj igły, aby uniknąć zranienia dłoni. Trzymaj poza zasięgiem dzieci.



3. Zalecamy, aby wymianę rysika zlecić doświadczonemu lub profesjonalnemu serwisantowi.

Rozwiązywanie problemów

1. Gramofon nie może się włączyć.
 - a. Sprawdź, czy podłączenie zasilania jest prawidłowe.
2. Brak dźwięku.
 - a. Spróbuj wyregulować pokrętkę głośności i sprawdź źródło odtwarzania.
 - b. Skontaktuj się z centrum serwisowym, aby uzyskać pomoc, jeśli problem nadal występuje.
3. Zniekształcenia dźwięku.
 - a. Spróbuj odtwarzać muzykę przy niższym poziomie głośności.
 - b. Spróbuj wyczyścić płytę winylową i spróbuj ponownie.
4. Dźwięk jest przerywany w trybie Bluetooth.
 - a. Spróbuj przesunąć urządzenie Bluetooth bliżej gramofonu.
 - b. Spróbuj ponownie sparować gramofon z urządzeniem Bluetooth.

Specyfikacja

Źródło zasilania: DC IN, 9V/1.5A
Moc wyjściowa RMS: 2 x 5W, THD10%
Wersja Bluetooth: V5.1
Zasięg działania modułu Bluetooth: ok. 10 metrów
Częstotliwość transmisji: 2.402~2.480GHz
Obsługiwane protokoły: A2DP/AVCTP/AVDTP/AVRCP/GAVDP/HFP/HID/OPP/RFCOMM/PPP
Odchylenie obrotów gramofonu: bicie osiowe <0.6mm
Siła nacisku wkładki: 3.5g (+0.5g)
Model wkładki: AT3600L, marka Audio Technica
Pobór mocy: 13.5W
Pobór mocy w trybie czuwania: <0.5W
(Uwagi: specyfikacja produktu może ulec zmianie bez wcześniejszego powiadomienia).

DŮLEŽITÉ BEZPEČNOSTNÍ POKYNY**Upozornění:**

Chcete-li snížit riziko úrazu elektrickým proudem, neodstraňujte kryt nebo zadní část zařízení. Uvnitř nejsou žádné prvky určené pro opravu uživatelem. Údržbou a opravami zařízení se zabývá kvalifikovaný servisní personál.

Vysvětlení grafických symbolů:

Symbol blesku se šipkou umístěn v trojúhelníku upozorňuje uživatele na přítomnost neizolovaného "nebezpečného napětí" v prostoru krytu zařízení, které může dosáhnout velikost hrozcí nebezpečí úrazu elektrickým proudem.



Symbol vykřičníku uvnitř rovnostranného trojúhelníku upozorňuje uživatele, že v této části jsou popsány důležité informace týkající se provozu a údržby zařízení v dokumentaci dodané se zařízením.

Před použitím přístroje si přečtěte tento návod, abyste se seznámili s jeho funkcemi a využili je, jak bylo zamýšleno pro zajištění dlouhé životnosti, bezporuchového provozu zařízení a radosti s používáním.

Důležité informace

- Uschovejte tento návod a bezpečnostní informace pro jejich použití v budoucnu.
- Nedovolte, aby na přístroj kapala nebo se lila tekutina.
- Nepoužívejte ve vlhkých místech, jako např. koupelny.
- Neumísťujte tento přístroj na následujících místech:
- Vystavených přímému slunečnímu záření nebo blízko radiátorů.
- Na jiná stereofonní zařízení, která generují teplo.
- Blokovat větrání nebo umísťovat v prašném prostředí.
- V prostorech vystavených otřesům.
- V prostorech s vysokou vlhkostí.
- Neumísťujte zařízení v blízkosti otevřeného ohně nebo svíčky.
- Zařízení lze použít pouze tak, jak je popsáno v tomto návodu.
- Před prvním zapnutím se ujistěte, že napájení bylo řádně připojeno.
- USB paměť se připojuje přímo nebo přes prodlužovací USB kabel s délkou do 25 cm.

Z bezpečnostních důvodů neodstraňujte kryty a nesažte se dostat dovnitř zařízení. Přístroj by měl být opravován pouze kvalifikovaným servisním personálem. Nerozebírejte zařízení ani neotevírejte kryt, protože uvnitř nejsou žádné díly, které mohou být opraveny vlastními silami. Údržbou a opravami zařízení se zabývá výhradně kvalifikovaný servisní personál.

BEZPEČNOSTNÍ POKYNY

1. Přečtěte si pokyny - před použitím zařízení si přečtěte celý návod a bezpečnostní informace.
2. Tyto pokyny uschovejte - uschovejte návod k použití pro použití v budoucnu.
3. Dodržujte varování - dodržujte veškerá varování umístěná na zařízení a v souladu s pokyny.
4. Dodržujte pokyny - postupujte podle pokynů a návodu pro uživatele.
5. Instalace - nastavte zařízení podle pokynů výrobce.
6. Napájecí zdroj - tento produkt by měl být napájen pouze ze zdrojů uvedených na označení na napájecím kabelu. Pokud si nejste jisti, jaký typ napájení máte doma, měli byste se obrátit na svého prodejce nebo místního dodavatele elektrické energie.
7. Uzemnění nebo polarizace napájení - zařízení nemusí být uzemněno. Ujistěte se, že je zástrčka zcela zasunuta do zásuvky ve zdi nebo do prodlužovacího kabelu, aby se zabránilo odhalení kolíků a kontaktů. Některé verze zařízení mohou být vybaveny polarizovanou zástrčkou AC (s kolíkem). Tuto zástrčku lze zasunout do síťové zásuvky pouze jedním způsobem. Toto je bezpečnostní funkce. Pokud nelze vložit zástrčku do zásuvky, zkuste ji otočit. Pokud zástrčka stále nepasuje do zásuvky, požádejte elektrikáře, aby ji vyměnil. Neodstraňujte zabezpečení polarizované zástrčky. Pokud používáte prodlužovací kabel nebo kabel jiný než dodávaný s zařízením, měl/a byste mít odpovídající zástrčky a bezpečnostní osvědčení požadované ve vaší zemi.
8. Zajištění napájecího kabelu - napájecí kabely by měly být vedeny tak, aby nikdo po nich nešlapal, nestiskal a aby nedošlo k odříznutí části zařízení předmety umístěnými vedle. Věnujte zvláštní pozornost zástrčkám, zásuvkám a místům vyznačujícím se tím, že kabely jsou vyvedeny ven ze zařízení.
9. Přetížení - Nepřetěžujte zásuvky ve zdi, prodlužovací šňůry a elektrické rozvaděče, může to mít za následek poruchu nebo úraz elektrickým proudem.
10. Větrání - Přístroj musí být řádně větran. Nepokládejte výrobek na postel, pohovku, nebo podobný povrch. Nezakrývejte zařízení ubrusy, ubrusky, novinami, atd.
11. Teplo - Neumísťujte zařízení blízko zdrojů tepla jako jsou radiátory, kamna nebo jiné přístroje (včetně zesilovačů), které produkují teplo. Nepokládejte na zařízení zapálené svíčky a jiné otevřené zdroje ohně.
12. Voda a vlhkost - aby se snížilo riziko poruchy nebo úrazu elektrickým proudem, nevystavujte přístroj působení deště, vody a vlhkosti, jako například v sauně, nebo v koupelně. Nepoužívejte toto zařízení v blízkosti vody, například u vany, umyvadla, kuchyňského dřezu nebo prádelní vany, ve vlhkém sklepě nebo v blízkosti bazény (nebo na podobných místech).
13. Objekty a kapaliny v zařízení - Nevkládejte objekty přes otvory, protože mohou přijít do styku s body nebezpečného napětí a komponenty, které mohou způsobit poruchu nebo úraz elektrickým proudem. Tekutiny by za žádných okolností neměly vniknout na povrch přístroje. Nepokládejte žádné předměty obsahující kapaliny na horní část zařízení.

14. Čištění – před čištěním vždy odpojte přístroj od elektrické zásuvky. Prach kolem reproduktoru lze odstranit jen suchým hadříkem. Pokud je třeba použít čisticí sprej, nesměřujte postřik ne přímo na přístroj, ale na hadřík. Dávejte pozor, aby nedošlo k poškození pohonné jednotky
15. Přídavná zařízení - nepoužívejte příslušenství, která nejsou schválena výrobcem, protože mohou představovat hrozbu.
16. Příslušenství - neumísťujte přístroj na nestabilní vozík, stojan, stativ, držák nebo stůl. Přístroj může spadnout, poškodit se a způsobit vážné zranění dětem nebo dospělým. Použití pouze s vozíkem, stojanem, trojnožkou, držákem nebo stolem, stanoveným výrobcí nebo prodáváným se zařízením. Instalace zařízení by měla být provedena v souladu s pokyny výrobce, za použití montážních sad doporučených výrobcem.
17. Stěhování zařízení - zařízení umístěné na vozíku pohybujte velmi pečlivě. Rychlé zastavení, nadměrné použití síly a nerovné povrchy mohou způsobit převrácení vozíku se zařízením.
18. Období mimo provoz - napájecí šňůra musí být odpojena od zásuvky během bouřky nebo kdy přístroj není používán po dlouhou dobu.
19. Servis - Nepokoušejte se o vlastnoruční prohlídky zařízení. Otevření krytu může způsobit nebezpečné napětí a vystavit uživatele na nebezpečí. Údržbu a opravy zařízení se zabývá výhradně kvalifikovaný servisní personál.
20. Pokud nepoužíváte zařízení, odpojte napájecí kabel od zásuvky ve zdi. Pokud je zařízení připojeno ke zdroji napájení, je v pohotovostním režimu a není zcela vyloučeno.
21. Náhradní díly - při výměně dílů, zkontrolujte, zda zaměstnanec servisu použil náhradní díly specifikované výrobcem, nebo díly stejné díly jako původní. Výměna za neschválené díly hrozí poruchou, úrazem elektrickým proudem nebo jiným nebezpečím.
22. Hlavní pojistky – pro kontinuální zabezpečení zařízení před ohněm, použijte pojistky správného typu a parametrů. Parametry pojistky v rozsahu napětí jsou vyznačeny na přístroji.
23. Nezvyšujte hlasitost při poslechu skladby malé hlasitosti nebo v nepřítomnosti vstupního zvukového signálu. V opačném případě může dojít k poškození reproduktoru při rychlém zvýšení síly signálu.
24. Jediným způsobem, odpojení zařízení od zdroje elektrické energie je odpojení napájecího kabelu od elektrické zásuvky nebo od zařízení. Zásuvka nebo vstupní napájecí kabel k zařízení musí být vždy k dispozici při používání výrobku.
25. Zařízení by mělo být instalováno v blízkosti elektrické zásuvky nebo prodlužovačky a to takovým způsobem, aby bylo vždy k dispozici.
26. Maximální okolní teplota zařízení je 35 °C
27. Pokyny týkající se elektrostatických výbojů - v případě, že činnost zařízení je narušena elektrostatickými výboji, vypněte jej a opětovně zapnete nebo přemístíte přístroj do jiného místa.
28. Baterie
 - A. Baterie nesmí být vystaveny nadměrnému teplu, jako je sluneční záření, oheň atd.
 - B. Při likvidaci baterie, věnujte pozornost environmentálním aspektům.
 - C. Upozornění týkající se používání baterií: aby se zabránilo úniku baterie, což může mít za následek zranění nebo poškození zařízení:
 - Při vkládání baterií dbejte na správnou polaritu (+ a -).
 - Nepoužívejte různé baterie najednou - staré a nové baterie, standardní a alkalické apod.
 - Vyjměte baterie z přístroje, když není používán po delší dobu

Poznámka o ERP2 (zařízení související se spotřebou energie)

Toto zařízení s ekodesignem je v souladu s požadavky části 2 nařízení Komise (ES) 1275/2008 ke směrnici 2009/125/ES o spotřebě energie kterým se provádí směrnice Evropského parlamentu a Rady 2005/32/ES, pokud jde o požadavky na ekodesign z hlediska spotřeby elektrické energie elektrických a elektronických zařízení určených pro domácnosti a kanceláře v pohotovostním režimu a ve vypnutém stavu. Po uplynutí 30 minut bez vstupního audio signálu zařízení se automaticky přepne do pohotovostního režimu. Informace o obnovení normálního provozu lze nalézt v příručce.

Důležité informace:

Tento přístroj je vybaven režimem pro úsporu energie: pokud v rámci 15 minut nebude automaticky podán žádný vstupní signál, přístroj přejde do pohotovostního režimu, aby šetřil energii (ERP standard 2). Je třeba poznamenat, že nízké nastavení hlasitosti ve zdroji audio signálu může být rozpoznáno jako stav "bez zvuku", což může ovlivnit vaši schopnost detekování signálu ze zařízení a způsobit automaticky posun do pohotovostního režimu. V tomto případě, obnovte přenos zvuku a zvýšete hlasitost zdroje zvuku (MP3 přehrávač atd.), pro obnovení přehrávání. Pokud problém přetrvává, obraťte se na místní servisní středisko.

VAROVÁNÍ

Přístroj by neměl být používán osobami (včetně dětí) s fyzickým, smyslovým nebo mentálním postižením a osobami s nedostatečnými znalostmi a zkušenostmi, pokud nejsou pod dohledem osoby odpovědné za jejich bezpečnost a nebyly poučeny, jak bezpečně používat zařízení. Přítomnost dospělých je nutná v případě, že zařízení obsluhují děti; to umožní zajištění bezpečného provozu zařízení.

1. Nikdy nenechávejte zařízení běžet bez dozoru! Vypněte zařízení, pokud jej nepoužíváte, a to i na krátkou dobu.
2. Neprovazujte přístroj přes externí časovač nebo samostatný systém dálkového ovládání.
3. Aby se zabránilo nebezpečí, v případě poškození napájecího kabelu výměnu by měl dělat výrobce, autorizovaný poskytovatel služeb nebo jiná osoba, mající příslušné kvalifikace.
4. Před použitím zařízení zkontrolujte, zda napětí odpovídá napětí vyskytujícímu se v místní síti.
5. Nezakrývejte větrací otvory novinami, ubrusy, záclonami, atd. Ujistěte se, že nad přístrojem je alespoň 20 cm volného prostoru, a z každé strany - nejméně 5 cm.
6. Nedovolte, aby na přístroj kapaly nebo se lily tekutiny a nepokládejte na něj předměty naplněné kapalinami, jako například vázy.

7. Aby nedošlo k poruše nebo k úrazu elektrickým proudem, nevystavujte zařízení na horká místa, na dešť, vlhkost a prach.
8. Nepokládejte zařízení do blízkosti zdrojů vody, jako jsou kohoutky, vany, pračky nebo bazény. Umístěte zařízení na plochy stabilní povrch.
9. Nevystavujte silnému magnetickému poli.
10. Nepokládejte zařízení přímo na zesilovači nebo přijímači.
11. Nepokládejte přístroj na vlhka místa, protože vlhkost poškozuje elektrické součásti.
12. Přenos zařízení z chladného do teplého prostředí nebo do vlhkého prostoru může vést ke kondenzaci vlhkosti na čočce uvnitř přehrávače. V takové situaci, přístroj nebude pracovat správně. Nechte součásti v přístroji po dobu jedné hodiny pro odpařování vlhkosti.
13. Nečistěte zařízení chemickými rozpouštědly, protože mohou zničit lak skříně. Přístroj se čistí čistým, suchým nebo mírně vlhkým hadříkem.
14. Při odpojování ze zásuvky vždy tahejte za zástrčku, ne za kabel.
15. Když se zapnutý přístroj používá v blízkosti zapnutého televizoru, může být zdrojem narušení obrazu v podobě čar na obrazovce. Kvalita obrazu závisí na vlnovém pásmu TV vysílání. Tento jev neznamena poruchu zařízení nebo televizoru. Vidíte-li tyto čáry, umístěte přístroj do větší vzdálenosti od televizoru.
16. Síťová zástrčka se používá k odpojení napájení a měla by být vždy k dispozici.
17. Chcete-li zabránit možné ztrátě sluchu, neposlouchejte hudbu delší dobu nahlas.

**POZOR**

Prohlášení o shodě

Blaupunkt Competence Center 2N-Everpol Sp. z o.o. tímto prohlašuje, že je toto zařízení v souladu se základními požadavky a dalšími příslušnými ustanoveními směrnice 2014/53 / EU. Prohlášení o shodě lze získat ze stránky produktu na www.blaupunkt.com.

Odpovědná strana: 2N-Everpol Sp. z o.o., Puławska 403A, 02-801 Varšava, Polsko, Tel: +48 22 688 08 00,, E-mail: info@everpol.pl



Naše produkty jsou navrženy a vyrobeny z vysoce kvalitních materiálů a komponent, které jsou recyklovatelné a znovu použitelné.



Pokud je na vašem zařízení symbol přeškrtnutého kontejneru, znamená to, že se na produkt vztahují ustanovení evropské směrnice 2012/19/EU. Na základě toho prosím dodržujte místní předpisy a seznamte se s požadavky na místní systém sběru elektrického a elektronického odpadu a v případě tohoto produktu je dodržujte.

NEVYHAZUJTE TENTO VÝROBEK S DOMÁCÍM ODPADEM!

TENTO PRODUKT OBSAHUJE NEBEZPEČNÉ LÁTKY, SMĚSI A SLOŽKY, KTERÉ V PŘÍPADĚ NEAUTORIZACE MOHOU BÝT ZDROJEM POTENCIÁLNÍCH VLIVŮ NA PŘÍRODNÍ PROSTŘEDÍ A LIDSKÉ ZDRAVÍ!

Správnou likvidací použitého výrobku zabráníte negativním dopadům na životní prostředí a lidské zdraví.



Výrobek obsahuje baterie podléhající směrnici 2006/66/EC, které nelze vyhazovat do běžného domovního odpadu. Informujte se prosím o místních pravidlech o sběru baterií, neboť správnou likvidací pomůžete předcházet negativním důsledkům pro ČESKÝ životní prostředí a lidské zdraví.

Informace týkající se životního prostředí

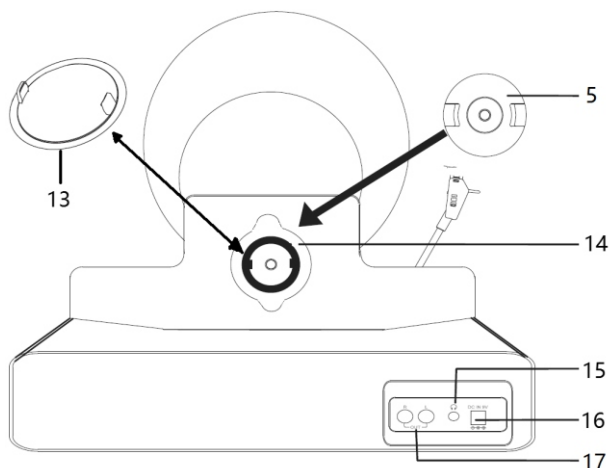
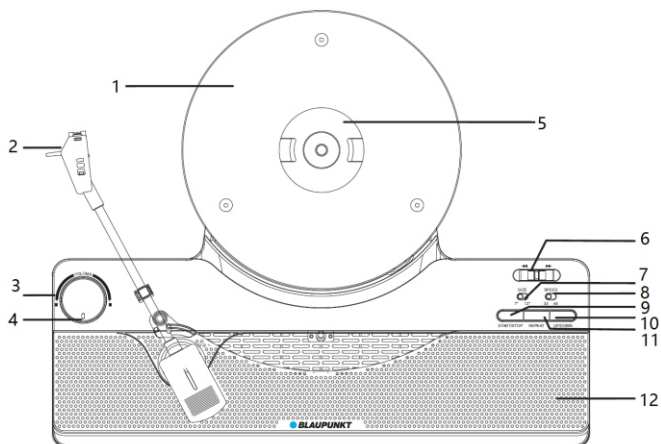
Výrobek je zabalen pouze v nezbytném obalu pro jeho ochranu. Snahou naší firmy je, aby byl obalový materiál snadno rozdělitelný na tři materiály: lepenku (krabice), polystyrén (ochranné balení) a polyethylen (sáčky, ochranné fólie z lehčeného plastu). Výrobek se skládá z materiálů, které lze recyklovat a znovu použít v případě demontáže odbornou firmou. Dodržujte prosím místní předpisy týkající se likvidace obalových materiálů, vybitých baterií a starého zařízení. Na nahrávání a přehrávání materiálů může být vyžadován souhlas. Viz Zákon o Copyrightu Act 1956 a Zákon na ochranu umělců Sk 1958-1972.



Bluetooth® název i logo jsou registrované obchodní známky společnosti Bluetooth SIG, Inc. a její použití je zatížené licencí. Ostatní obchodní známky a jména jsou vlastněny jejich vlastníky.

Děkujeme, že jste si vybrali právě náš model. Před použitím si prosím tento návod k použití pečlivě přečtěte. Tento návod si uschovejte pro budoucí použití.

Umístění kontrolních prvků



- | | |
|--|--|
| 1- Gramofonový talíř | 2- Gramofonová vložka s jehlou |
| 3- Funkční kolečko (zapnutí/vypnutí, volba režimu přehrávání, ovládání hlasitosti) | |
| 4- LED indikátor režimu přehrávání. (Bílá barva = režim přehrávání vinylu; Bílé blikání = režim přehrávání vinylu s přenosem signálu Bluetooth do externího zařízení, např. externích aktivních reproduktorů, sluchátek Bluetooth atd; Modrá = režim přehrávání Bluetooth pro externí zařízení - smartphone, tablet, PC) | |
| 5- Montážní kroužek pro upevnění vinylové desky na talíř gramofonu | 6- Přepínač ovládání přehrávání vpřed/vzad |
| 7- Přepínač pro výběr velikosti desky: 7" nebo 12" | |
| 8- Přepínač rychlosti přehrávání (33 otáček za minutu nebo 45 otáček za minutu) | |
| 9- Tlačítko START/STOP pro spuštění a zastavení přehrávání vinylu | |
| 10- Tlačítko UP/DOWN pro spuštění a zvedání raménka gramofonu | |
| 11- Tlačítko pro spuštění funkce REPEAT disku | 12- Vestavěný reproduktor |
| 13- Deskový středící kroužek s velkým otvorem | |
| 14- Držák pro středící a pojistný kroužek desky | 15- Sluchátkový výstup |
| 16- Zásuvka stejnosměrného proudu | |
| 17- Linkový audio výstup RCA | |

Před prvním použitím gramofonu odpojte bezpečnostní kabel od ramene gramofonu a opatrně sejměte průhledný ochranný kryt jehly (viz obrázek níže). Připojte dodaný zdroj střídavého/stejnoseměrného proudu do domácí zásuvky pro zdroj napájení, stejnosměrný konektor zdroje připojte do stejnosměrné zásuvky na zadním panelu,

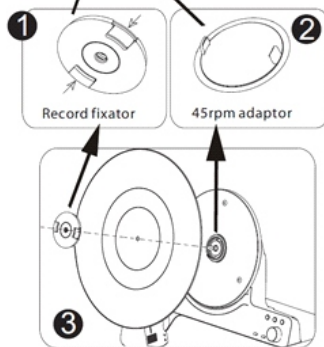
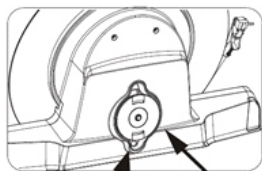


(Odstraňte průhledný ochranný kryt jehly)

Zapnutí/vypnutí gramofonu/režim přehrávání/nastavení hlasitosti: Stisknutím a podržením funkčního knoflíku po dobu 3 sekund přístroj zapnete/vypnete; krátkým stisknutím otočného ovladače přepnete režim přehrávání mezi přehráváním vinylů / Bluetooth OUT / Bluetooth IN. Při přepnutí režimu přehrávání se zobrazí odpovídající hlasové hlášení s informací o zvoleném režimu. Otáčením knoflíku snížíte nebo zvýšíte výstupní hlasitost.

Obecné poznámky k vinylovým deskám:

1. Před přehráváním vinylové desky se ji pokuste očistit od prachových částic nebo prachu na ní. Použijte k tomu vhodný kartáč a v případě silnějšího znečištění použijte speciální čisticí prostředek na vinyl. Toto příslušenství není součástí sady.
2. Znečištěný a zaprášený disk má zásadní vliv na kvalitu reprodukováného zvuku, což se může projevit praskáním a drobným zkresením.
3. Pokud je povrch disku nerovný (častý jev u starších disků), může to způsobit, že se disk při přehrávání rozkmitá a změní se průběh stopy, což ovlivní kvalitu zvuku. Upozorňujeme, že to není nevýhoda tohoto gramofonu. Chcete-li tento problém minimalizovat, snažte se disk správně umístit na talíř a dobře jej upevnit pomocí pojistného kroužku.



Přehrávání vinylu

Chcete-li disk přehrát, postupujte podle následujících pokynů.

1. Zapněte přístroj, krátce stiskněte funkční knoflík (3) a přejděte do režimu přehrávání vinylů. LED indikátor volby režimu (4) se rozsvítí bíle a z reproduktoru se ozve zvukové hlášení "VINYL".
2. Stiskněte a podržte levé a pravé zajišťovací tlačítka upevňovacího kroužku vinylového talíře a vyjměte jej z držáku na zadním panelu gramofonu
3. Opatrně umístěte vinylovou desku na talíř gramofonu a poté ji připevňte k talíři pomocí pojistného kroužku, který zacvaknete na hrot vyčnívající ze středového otvoru desky.
4. Pomocí tlačítek na předním panelu zvolte příslušnou velikost desky (7) a rychlost (8).
5. Krátkým stisknutím tlačítka START/STOP spustíte přehrávání disku. Rameno gramofonu se automaticky přesune na okraj desky a začne přehrávat první stopu. Opětovným stisknutím tohoto tlačítka zastavíte přehrávání a raménko gramofonu se automaticky vrátí do držáku raménka.
6. Chcete-li přeskočit na předchozí nebo následující skladbu, přesuňte odpovídajícím způsobem přepínač přehrávání vpřed/vzad (6); chcete-li rameno gramofonu zvednout nebo spustit, stiskněte tlačítka UP/DOWN (10).
7. Krátkým stisknutím tlačítka REPEAT (11) aktivujete funkci opakování pro přehrávání vinylů. Indikátor LED (4) se rozsvítí zeleně. Když přístroj dokončí přehrávání disku, rameno se automaticky přesune a začne přehrávat disk od začátku. Funkci opakování zrušíte opětovným stisknutím tlačítka REPEAT (11).

Přehrávání disků s velkým středovým otvorem (obvykle disky s rychlostí přehrávání 45 otáček za minutu): Při přehrávání vinylové desky s velkým středovým otvorem nejprve umístěte středící kroužek, který je umístěn v držáku na zadním panelu gramofonu, na vybrání v talíři (ve střední části talíře), poté umístěte vinylovou desku s velkým otvorem na talíř a upevněte upevňovací kroužek tak, aby výstupky vyčnívající ze středícího kroužku zapadly do otvorů na vnitřní straně upevňovacího kroužku. Tuto operaci naleznete na obrázku níže.

Přehrávání vinylových desek s přenosem signálu Bluetooth do externího zařízení (Bluetooth OUT): Tento model je vybaven funkcí Bluetooth OUT, která umožňuje bezdrátový přenos zvukového signálu během přehrávání vinylů do externích zařízení, jako jsou aktivní reproduktory Bluetooth (např. regálové reproduktory BLAUPUNKT BS60, BS50, BS40 nebo jiné), sluchátka Bluetooth a další reproduktory s Bluetooth IN. Chcete-li aktivovat funkci přenosu zvukového signálu do externího zařízení Bluetooth, zvolte pomocí funkčního knoflíku (3) režim přehrávání vinylové desky s přenosem signálu Bluetooth (LED indikátor režimu přehrávání by měl blikat bíle, což znamená připravenost ke spárování s externím zařízením Bluetooth, a z reproduktoru se bude ozývat zvuková zpráva - "VINYL STREAM"). Zapněte externí zařízení Bluetooth a přepněte jej do režimu

párování Bluetooth (podrobnosti najdete v návodu k obsluze externího zařízení), gramofon automaticky detekuje externí zařízení Bluetooth a připojí se k němu. Po úspěšném párování s externím zařízením Bluetooth se LED indikátor ustálí a začne svítit bíle, a z reproduktoru se ozve zvuková zpráva - „CONNECTED“. Poté stiskněte tlačítko START/STOP (9) pro spuštění přehrávání vinylové desky a zvuk bude přehráván prostřednictvím externího zařízení Bluetooth.

Upozornění:

1. Upozorňujeme, že v tomto režimu přehrávání je ovládání hlasitosti dostupné na připojeném externím zařízení, nikoli na tomto gramofonu.
2. Optimální pracovní vzdálenost mezi tímto gramofonem a externím zařízením Bluetooth je 10 metrů, přičemž mezi zařízeními nesmí být žádné překážky.

Přehrávání přes Bluetooth IN

Tento gramofon je vybaven funkcí Bluetooth, která umožňuje bezdrátové přehrávání hudby z jiných zařízení Bluetooth (např. smartphonů, tabletů, televizorů atd.) prostřednictvím vestavěných reproduktorů.

1. Zapněte přístroj a stiskněte funkční knoflík (3), dokud LED indikátor volby režimu (4) nezačne blikat modře a z reproduktoru se neozve zvuková zpráva „BLUETOOTH“, která signalizuje, že je přístroj připraven ke párování s externím zařízením Bluetooth.
2. Zapněte funkci Bluetooth na externím zařízením Bluetooth a vyhledejte zařízení dostupná pro párování (podívejte se do uživatelské příručky externího zařízení), poté v seznamu zkontrolujte dostupné zařízení Bluetooth. Pro párování zvolte „BP VT100“, po úspěšném párování se trvale rozsvítí LED indikátor volby režimu (4) tohoto gramofonu a z jeho reproduktoru se ozve zvuková zpráva - „CONNECTED“.

3. Vyberte a přehrávejte hudbu z externího zařízení Bluetooth, nastavte odpovídajícím způsobem hlasitost a zvuk bude vycházet z vestavěného reproduktoru tohoto gramofonu.

4. V režimu přehrávání Bluetooth použijte k ovládání externí zařízení Bluetooth.

Upozornění:

- a. Vzhledem k různým konstrukcím a značkám není zaručeno, že se všechna zařízení Bluetooth správně spárují.
- b. Lepší pracovní vzdálenost Bluetooth je 10 metrů bez překážek mezi zařízeními.
- c. Zařízení lze párovat a pracovat vždy pouze s jedním zařízením Bluetooth.
- d. V případě příchodního hovoru během přehrávání přes Bluetooth; hudba se dočasně zastaví a obnoví se po ukončení telefonního hovoru.

Linkový výstup RCA

Gramofon má jeden linkový výstup RCA, který umožňuje kabelové připojení k externímu aktivnímu reproduktoru nebo zesilovači. Linkový výstup je k dispozici při přehrávání vinylu a v režimu Bluetooth.

Pomocí audiokabelu RCA - RCA (není součástí dodávky) připojte linkový výstup RCA na gramofonu k linkovému vstupu RCA na externím zařízení; Na externím zařízení přepněte zdroj do režimu linkového vstupu a nastavte úroveň hlasitosti; vyberte a přehrajte hudbu na gramofonu, pak se zvuk objeví jak na vestavěném reproduktoru gramofonu, tak na externím zařízení. Aby nedocházelo k překrývání zvuku mezi vestavěnými reproduktory gramofonu a externími zařízeními připojenými k linkovému vstupu RCA, je možné pomocí funkčního knoflíku (3) zvuk v reproduktorech gramofonu zcela ztlumit. Linkový výstup signál má pevnou úroveň a jeho hlasitost lze nastavit pomocí ovladače hlasitosti na externím zařízení.

Sluchátkový výstup: připojte kabelová sluchátka do zdířky pro sluchátka na zadním panelu gramofonu. Zvuk vestavěných reproduktorů bude ztlumen a bude dostupný pouze ve sluchátkách. Nastavte hlasitost sluchátek pomocí funkčního knoflíku (3).

Pomocí vhodného kabelu lze signál ze sluchátkového výstupu přivést také do vstupu AUX např. mikrofonu, aktivních reproduktorů apod.

Při použití sluchátek Bluetooth doporučujeme připojit je v režimu přehrávání vinylu s přenosem signálu Bluetooth do externího zařízení (Bluetooth OUT). Způsob připojení je popsán v předchozí části této příručky.

Výměna jehly v kazetě AT3600L

Při běžném používání vydrží jehla přibližně 300 hodin. Jehlu doporučujeme vyměnit, jakmile zaznamenáte změnu kvality zvuku.

1. Vyjmutí jehly z kazety

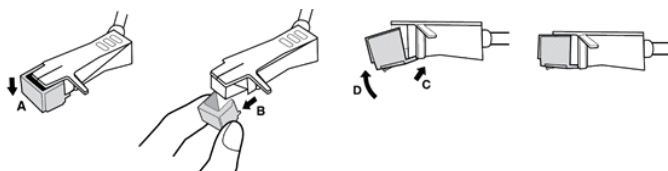
- a. Jemně uchopte prsty boční strany pouzdra jehly a posuňte jej směrem dolů (jako na obrázku "A")
- b. Vytáhněte jehlu podle obrázku „B“.

Upozornění: Při vyjímání jehly z kazety postupujte opatrně. Při použití příliš velké síly může dojít k poškození vložky nebo zlomení jehly.

2. Instalace nové jehly do kazety

a. Držte pouzdro jehly a zasuňte jej do kazety ve směru znázorněném na obrázku „C“.

b. Pohybuje jehlou směrem nahoru, jak je znázorněno na obrázku "D", dokud nezapadne do vložky.



Varování:

1. Před výměnou jehly odpojte gramofon od napájení. Samotnou jehlu nevyjímejte z pouzdra ani ji neohýbejte.
2. Ostré hrany, nedotýkejte se jehly, abyste si neporanili ruku. Uchovávejte mimo dosah dětí.



3. Doporučujeme, abyste výměnu stylusu svěřili zkušenému nebo odbornému servisnímu technikovi.

Řešení problémů

1. Gramofon nelze zapnout.

- a. Zkontrolovat, zda je správně připojeno napájecí napětí.

2. Nevychází zvuk.

- a. Zkuste nastavit knoflík hlasitosti a zkontrolovat zdroj přehrávání.

- b. Pokud problém přetrvává, obraťte se na servisní středisko.

3. Zkreslení zvuku.

- a. Zkuste hudbu přehrávat s nižší úrovní hlasitosti

- b. Zkuste vinylovou desku vyčistit a zkuste to znovu.

4. V režimu Bluetooth je zvuk přerušován.

- a. Zkuste zařízení Bluetooth přiblížit ke gramofonu.

- b. Zkuste znovu spárovat gramofon se zařízením Bluetooth.

Specifikace

Napájecí zdroj: DC IN 9 V/1,5 A

Výstupní výkon RMS: 2 x 5 W, THD10 %

Verze Bluetooth: V5.1

Provozní dosah Bluetooth: přibližně 10 metrů

Přenosová frekvence: 2,402 ~ 2,480 GHz

Podporované protokoly: A2DP/AVCTP/AVDTP/AVRCP/GAVDP/HFP/HID/OPP/RFCOMM/SPP

Vychýlení otočného stolu: axiální házení <0,6 mm

Vkládací síla: 3,5 g (+/-0,5 g)

Model stélky: AT3600L, značka Audio Technica

Příkon: 13,5 W

Příkon v pohotovostním režimu: <0,5 W

(Poznámky: specifikace produktu se mohou změnit bez předchozího upozornění).

DŮLEŽITÉ BEZPEČNOSTNÉ POKYNY

**Upozornenie:**

Ak chcete znížiť riziko úrazu elektrickým prúdom, neodstraňujte kryt alebo zadnú časť zariadenia. Vnútri nie sú žiadne prvky určené na opravu používateľom. Údržbou a opravami zariadení sa zaoberá len kvalifikovaný servisný personál.

Vysvetlenie grafických symbolov:

Symbol blesku so šípkou umiestnený v trojuholníku upozorňuje užívateľa na prítomnosť neizolovaného "nebezpečného napätia" v priestore krytu zariadenia, ktoré môže dosiahnuť veľkosť hroziacu nebezpečenstvo úrazu elektrickým prúdom.



Výkričník vo vnútri rovnostranného trojuholníka upozorňuje užívateľa, že v tejto časti sú popísané dôležité informácie týkajúce sa prevádzky a údržby zariadení v dokumentácii dodanej so zariadením.

Pred použitím prístroja si prečítajte tento návod, aby ste sa oboznámili s jeho funkciami a využili je, ako bolo zamýšľané pre zaistenie dlhšej životnosti, bezporuchovej prevádzky zariadenia a radosti s použitia.

Dôležité informácie

- Ušchovajte tento návod a bezpečnostné informácie pre ich použitie v budúcnosti.
- Nedovoľte, aby na prístroj kvapkala alebo sa lila tekutina.
- Nepoužívajte vo vlhkých miestach, ako napr kúpeľne.
- Neumiestňujte tento prístroj na nasledujúcich miestach:
- Vystavených priamemu slnečnému žiareniu alebo blízko radiátorov.
- Na iné stereofónne zariadenie, ktoré generujú teplo.
- Blokovať vetranie alebo umiestňovať v prašnom prostredí.
- V priestoroch vystavených otrasom.
- V priestoroch s vysokou vlhkosťou.
- Neumiestňujte zariadenie v blízkosti otvoreného ohňa alebo sviečky.
- Zariadenie je možné použiť iba tak, ako je popísané v tomto návode.
- Pred prvým zapnutím sa uistite, že napájanie bolo správne pripojené.
- USB pamäť sa pripája priamo alebo cez predlžovací USB kábel s dĺžkou do 25 cm.

Z bezpečnostných dôvodov neodstraňujte kryty a nesnažte sa dostať dovnútra zariadenia. Prístroj by mal byť opravovaný iba kvalifikovaným servisným personálom. Nerozoberajte zariadenie ani neotvárajte kryt, pretože vo vnútri nie sú žiadne diely, ktoré môžu byť opravené vlastnými silami. Údržbou a opravami zariadení sa zaoberá výhradne kvalifikovaný servisný personál.

BEZPEČNOSTNÉ POKYNY

1. Prečítajte si pokyny - pred použitím zariadenia si prečítajte celý návod a bezpečnostné informácie.
2. Tieto pokyny uschovajte - uschovajte návod na použitie pre použitie v budúcnosti.
3. Dodržiavajte varovanie - dodržujte všetky varovania umiestnené na zariadení a v súlade s pokynmi.
4. Dodržiavajte pokyny - postupujte podľa pokynov a návodu pre užívateľa.
5. Inštalácia - nastavte zariadenie podľa pokynov výrobcu.
6. Napájacie zdroje - tento produkt by mal byť napájaný iba zo zdrojov uvedených na označenie na napájacom kábli. Ak si nie ste istí, aký typ napájania máte doma, mali by ste sa obrátiť na svojho predajcu alebo miestneho dodávateľa elektrickej energie.
7. Uzemnenie alebo polarizácia napájania - zariadenie nemusí byť uzemnené. Uistite sa, že je zástrčka úplne zasunutá do zásuvky v stene alebo do predlžovacieho kábla, aby sa zabránilo odhaleniu kolíkov a kontaktov. Niektoré verzie zariadenia môžu byť vybavené polarizovanou zástrčkou AC (s kolíkom). Túto zástrčku je možné zasunúť do sieťovej zásuvky iba jedným spôsobom. Toto je bezpečnostná funkcia. Ak nie je možné vložiť zástrčku do zásuvky, skúste ju otočiť. Ak zástrčka stále nepasuje do zásuvky, požiadajte elektrikára, aby ju vymenil. Neodstraňujte zabezpečenia polarizovanej zástrčky. Ak používate predlžovací kábel alebo kábel iný ako dodávaný s zariadením, mal / a by ste mať zodpovedajúce zástrčky a bezpečnostné osvedčenie požadované vo vašej krajine.
8. Zaistenie napájacieho kábla - napájacie káble by mali byť vedené tak, aby nikto po po nich nešliapal, nestiskal a aby nedošlo k odrezaniu časti zariadenia predmetami umiestnenými vedľa. Venujte zvláštnu pozornosť zástrčkám, zásuvkám a miestam vyznačujúcim sa tým, že káble sú vyvedené von zo zariadenia.
9. Preťaženie - nepreťažujte zásuvky, predlžovacie šnúry a elektrické rozvádzače, môže to mať za následok poruchu alebo úraz elektrickým prúdom.
10. Vetranie - Prístroj musí byť riadne vetranie. Nekladte výrobok na posteľ, pohovku, alebo podobný povrch. Nezakrývajte zariadenie obrusy, obrúsky, novinami, atď
11. Teplo - Neumiestňujte zariadenie blízko zdrojov tepla ako sú radiátory, kachle alebo iné prístroje (vrátane zosilňovačov), ktoré produkujú teplo. Nekladte na zariadenie zapálené sviečky a iné otvorené zdroje ohňa.
12. Voda a vlhkosť - aby sa znížilo riziko poruchy alebo úrazu elektrickým prúdom, nevystavujte prístroj pôsobeniu dažďa, vody a vlhkosti, ako napríklad v saune, alebo v kúpeľni. Nepoužívajte toto zariadenie v blízkosti vody, napríklad pri vani, umývadle, kuchynského drezu alebo vane, vo vlhkej pivnici alebo v blízkosti bazéna (alebo na podobných miestach).
13. Objekty a kvapaliny v zariadení - Nevkladajte objekty cez otvory, pretože môžu prísť do styku s bodmi nebezpečného napätia a komponenty, ktoré môžu spôsobiť poruchu alebo úraz elektrickým prúdom. Tekutiny by za žiadnych okolností nemali vniknúť na povrch prístroja. Nekladte žiadne predmety obsahujúce kvapaliny na hornú časť zariadenia.

14. Čistenie - pred čistením vždy odpojte prístroj od elektrickej zásuvky. Prach okolo reproduktora možno odstrániť len suchou handričkou. Ak je potrebné použiť čistiaci sprej, nesmerujte postrek nie priamo na prístroj, ale na handričku. Dávajte pozor, aby nedošlo k poškodeniu pohonnej jednotky
15. Prídavné zariadenia - nepoužívajte príslušenstvo, ktoré nie sú schválené výrobcom, pretože môžu predstavovať hrozbu.
16. Príslušenstvo - neumiestňujte prístroj na nestabilný vozík, stojan, statív, držiak alebo stôl. Prístroj môže spadnúť, poškodiť sa a spôsobiť vážne zranenie deťom alebo dospelým. Použitie iba s vozikom, stojanom, trojnožkou, držiakom alebo stolom, stanoveným výrobcovia alebo predávajúci sa so zariadením. Inštalácia zariadenia by mala byť vykonaná v súlade s pokynmi výrobcu, za použitia montážnych rád odporúčaných výrobcom.
17. Sťahovanie zariadenia - zariadenie umiestnené na vozíku pohybuje veľmi starostlivo. Rýchle zastavenie, použitie nadmernej sily a nerovné povrchy môžu spôsobiť prevrátenie vozíka so zariadením.
18. Obdobie mimo prevádzky - napájací šnúra musí byť odpojená od zásuvky počas búrky alebo keď prístroj nie je používaný po dlhú dobu.
19. Servis - Nepokúšajte sa o vlastnoručný prehľadky zariadení. Otvorenie krytu môže spôsobiť nebezpečné napätie a vystaviť užívateľa na nebezpečenstvo. Údržbu a opravy zariadení sa zaoberá výhradne kvalifikovaný servisný personál.
20. Ak nepoužívate zariadenie, odpojte napájací kábel od zásuvky v stene. Ak je zariadenie pripojené k zdroju napájania, je v pohotovostnom režime a nie je úplne vylúčené.
21. Náhradné diely - pri výmene dielov, skontrolujte, či zamestnanec servisu použil náhradné diely špecifikované výrobcom, alebo diely rovnaké ako pôvodné. Výmena za neschválené diely hrozi poruchou, úrazom elektrickým prúdom alebo iným nebezpečenstvom.
22. Hlavné poistky - pre kontinuálne zabezpečení zariadenia pred ohňom, použite poistky správneho typu a parametrov. Parametre poistky v rozsahu napätia sú vyznačené na prístroji.
23. Nezvyšujte hlasitosť pri počúvaní skladby malej hlasitosti alebo v neprítomnosti vstupného zvukového signálu. V opačnom prípade môže dôjsť k poškodeniu reproduktora pri rýchlom zvýšení sily signálu.
24. Jediným spôsobom odpojenia zariadenia od zdroja elektrickej energie je odpojenie napájacieho kábla od elektrickej zásuvky alebo od zariadenia. Zásuvka alebo vstupný napájací kábel k zariadeniu musí byť vždy k dispozícii pri používaní výrobku.
25. Zariadenie by malo byť inštalované v blízkosti elektrickej zásuvky alebo predlžovačky a to takým spôsobom, aby bolo vždy k dispozícii.
26. Maximálna okolitá teplota zariadenia je 35 ° C
27. Pokyny týkajúce sa elektrostatických výbojov - v prípade, že činnosť zariadenia je narušená elektrostatickými výbojmi, vypnite ho a opätovne zapnete alebo premiestnite prístroj do iného miesta.
28. Batérie
 - A. Batérie nesmú byť vystavené nadmernému teplu, ako je slnečné žiarenie, oheň atď
 - B. Pri likvidácii batérie, venujte pozornosť environmentálnym aspektom.
 - C. Upozornenia týkajúce sa používania batérií: aby sa zabránilo úniku batérie, čo môže mať za následok zranenie alebo poškodenie zariadenia:
 1. Pri vkladaní batérií dbajte na správnu polaritu (+ a -).
 2. Nepoužívajte rôzne batérie naraz - staré a nové batérie, štandardné a alkalické atď
 3. Vyberte batérie z prístroja, keď nie je používaný po dlhšiu dobu

Poznámka o ERP2 (zariadenia súvisiace so spotrebou energie)

Toto zariadenie s ekodizajnom je v súlade s požiadavkami časti 2 nariadenia Komisie (ES) 1275/2008 k smernici 2009/125/ES o spotrebe energie ktorými sa vykonáva smernica Európskeho parlamentu a Rady 2005/32/ES, pokiaľ ide o požiadavky na ekodizajn z hľadiska potreby elektrickej energie elektrických a elektronických zariadení v domácnosti a kancelárii v pohotovostnom režime a vo vypnutom stave. Po uplynutí 15 minút bez vstupného audio signálu zariadenie sa automaticky prepne do pohotovostného režimu. Informácie o obnovenie normálnej prevádzky možno nájsť v príručke.

Dôležité informácie:

Tento prístroj je vybavený režimom pre úsporu energie: ak v rámci 30 minút nebude automaticky podaný žiadny vstupný signál, prístroj prejde do pohotovostného režimu, aby šetril energiu (ERP štandard 2). Je potrebné poznamenať, že nízke nastavenie hlasitosti v zdroji audio signálu môže byť rozpoznané ako stav "bez zvuku", čo môže ovplyvniť vašu schopnosť detekovanie signálu zo zariadenia a spôsobiť automaticky posun do pohotovostného režimu. V tomto prípade, obnovte prenos zvuku a zvýšte hlasitosť zdroja zvuku (MP3 prehrávač atď), pre obnovenie prehrávania. Ak problém pretrváva, obráťte sa na miestne servisné stredisko.

VAROVANIE

Prístroj by nemal byť používaný osobami (vrátane detí) s fyzickým, zmyslovým alebo mentálnym postihnutím a osobami s nedostatocnými znalosťami a skúsenosťami, pokiaľ nie sú pod dohľadom osoby zodpovednej za ich bezpečnosť a neboli poučené, ako bezpečne použiť zariadenie. Prítomnosť dospelých je nutná v prípade, že zariadenie obsluhujú deti; to umožní zabezpečenie bezpečnej prevádzky zariadenia.

1. Nikdy nenechávajte zariadenie bežať bez dozoru! Vypnite zariadenie, ak ho nepoužívate, a to aj na krátku dobu.
2. Nepoužívajte prístroj cez externý časovač alebo samostatný systém diaľkového ovládania.
3. Aby sa zabránilo nebezpečenstvu, v prípade poškodenia napájacieho kábla výmenu by mal robiť výrobca, autorizovaný poskytovateľ služieb alebo iná osoba, majúca príslušné kvalifikácie.
4. Pred použitím zariadenia skontrolujte, či napätie zodpovedá napätiu vyskytujúcejmu sa v miestnej sieti.
5. Nezakrývajte vetracie otvory novinami, obrusmi, záclonami, atď Uistite sa, že nad prístrojom je aspoň 20 cm voľného priestoru, az každej strany - najmenej 5 cm.
6. Nedovoľte, aby na prístroj kvapkali alebo sa lily tekutiny a nekladte naň predmety naplnené kvapalinami, ako napríklad vázy.

7. Aby nedošlo k poruche alebo k úrazu elektrickým prúdom, nevystavujte zariadenie na horúčavy miesta, na dážď, vlhkosť a prach.
8. Nepokladajte zariadenie do blízkosti zdrojov vody, ako sú kohútiky, vane, práčky alebo bazény. Umiestnite zariadenie na rovný stabilný povrch.
9. Nevystavujte silnému magnetickému poľu.
10. Nekladte zariadenie priamo na zosilňovači alebo prijímači.
11. Nekladte prístroj na vlhka miesta, pretože vlhkosť poškodzuje elektrické súčasti.
12. Prenos zariadení z chladného do teplého prostredia alebo do vlhkého priestoru môže viesť ku kondenzácii vlhkosti na šošovke vo vnútri prehrávača. V takejto situácii, prístroj nebude pracovať správne. Nechajte súčasťou v prístroji po dobu jednej hodiny pre odparovanie vlhkosti.
13. Nečistite zariadenie chemickými rozpúšťadlami, pretože môžu zničiť lak skrinčín. Prístroj sa čistí čistým suchým alebo mierne vlhkou handričkou.
14. Pri odpájaní zo zásuvky vždy tahajte za zástrčku, nie za kábel.
15. Keď sa zapnutý prístroj používa v blízkosti zapnutého televízora, môže byť zdrojom narušenia obrazu v podobe čiar na obrazovke. Kvalita obrazu závisí na vlnovom pásme TV vysielania. Tento jav neznamená poruchu zariadenia alebo televízora. Vidíte-li tieto čiary, umiestnite prístroj do väčšej vzdialenosti od televízora.
16. Sietová zástrčka sa používa na odpojenie napájania a mala by byť vždy k dispozícii.
17. Ak chcete zabrániť nožnej strate sluchu, nepočúvajte hudbu dlhšiu dobu nahlas.



POZNÁMKA



Prehlásenie o zhode

Blaupunkt Competence Center 2N-Everpol Sp. z o.o. týmto prehlasuje, že je toto zariadenie v súlade so základnými požiadavkami a ďalšími príslušnými ustanoveniami smernice 2014/53 / EU. Prehlásenie o zhode je možné získať zo stránky produktu na www.blaupunkt.com. Zodpovedná strana: 2N-Everpol Sp. z o.o., Puławska 403A, 02-801 Varšava, Poľsko, Tel: +48 22 688 08 00,, E-mail: info@everpol.pl



Naše produkty sú navrhnuté a vyrobené z vysoko kvalitných materiálov a komponentov, ktoré sú recyklovateľné a znovu použiteľné.



Ak sa na vašom zariadení nachádza symbol prečiarknutého odpadkového koša s kolieskami, znamená to, že sa na produkt vzťahujú ustanovenia európskej smernice 2012/19/EÚ. Na základe toho sa prosím riadte miestnymi predpismi a obznamenajte sa s požiadavkami na miestny systém zberu elektrického a elektronického odpadu a v prípade tohto produktu ich dodržujte.

NEVYHADZUJTE TENTO VÝROBOK S DOMÁCIMI ODPADMI!

TENTO VÝROBOK OBSAHUJE NEBEZPEČNÉ LÁTKY, ZMESI A KOMPONENTY, KTORÉ V PRÍPADE BEZ AUTORIZÁCIE MÔŽU BYŤ ZDROJOM POTENCIÁLNYCH VPLYVOV NA PRÍRODNÉ PROSTREDIE A ĽUDSKÉ ZDRAVIE!

Správna likvidácia použitého výrobku zabráni negatívnym vplyvom na životné prostredie a ľudské zdravie.



Výrobok obsahuje batérie, ktoré smernicu 2006/66 / EC nemožno vyhadzovať do bežného domového odpadu. Informujte sa prosím o miestnych pravidlách separovaného zberu batérií, pretože správnu likvidáciu pomôžete predchádzať negatívnym dôsledkom pre životné prostredie a ľudské zdravie.

INFORMÁCIE TÝKAJÚCE SA ŽIVOTNÉHO PROSTREDIA

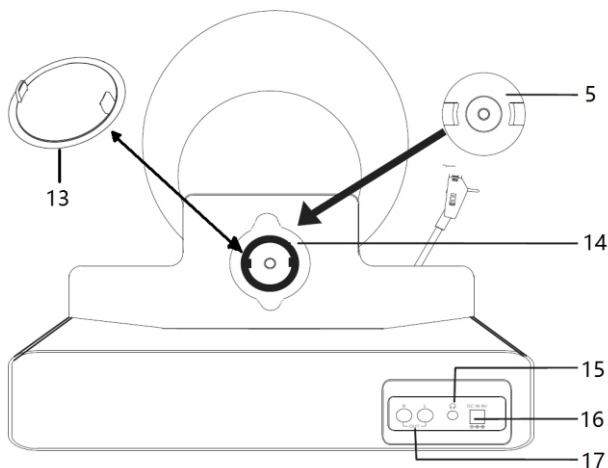
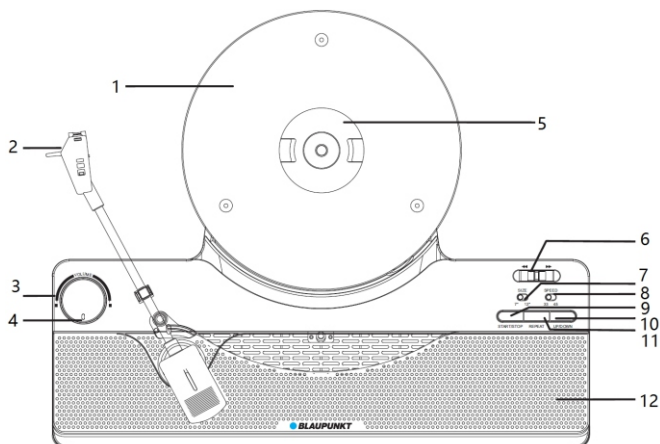
Výrobok je zabalený len v nevyhnutnom obale pre jeho ochranu. Snahou našej firmy je, aby bol obalový materiál ľahko rozdeliteľný na tri materiály: kartón (krabica), polystyrénová pena (vypodloženie) a polyetylén (vrecká, ochranná penová pokrývka). Výrobok sa skladá z materiálov, ktoré je možné recyklovať a znovu použiť v prípade demontáže odbornou firmou. Dodržujte prosím miestne predpisy týkajúce sa likvidácie obalových materiálov, vybitých batérií a starého zariadenia. Na nahrávanie a prehrávanie materiálov môže byť vyžadovaný súhlas. Pozri Zákon o copyrightu Act 1956 a Zákon na ochranu umelcov Sk 1958-1972.



Známka a logo Bluetooth® sú registrované obchodné známky spoločnosti Bluetooth SIG, Inc. a jej použitie je zaťažené licenciou. Ostatné obchodné známky a mená sú vlastnené ich vlastníkmi.

Ďakujeme, že ste si vybrali náš model. Predtým, než začnete toto zariadenie používať, dôkladne sa oboznámte s obsahom tejto príručky. Príručku uschovajte pre prípadnú potrebu v budúcnosti.

Umiestnenie ovládacích prvkov



- | | |
|--|---|
| 1- Tanier gramofónu | 2- Gramofónová prenoska s ihlou |
| 3- Funkčné koliesko (zapnutie/vypnutie, výber režimu prehrávania, ovládanie hlasitosti) | |
| 4- LED ukazovateľ režimu prehrávania. (Biela farba = režim prehrávania vinylových platní; Blikajúca biela farba = režim prehrávania vinylových platní s prenosom Bluetooth do externého zariadenia, napr. externých aktívnych reproduktorov, slúchadiel Bluetooth ap.; Modrá farba = režim Bluetooth prehrávania pre externé zariadenia – smartfón, tablet, počítač) | |
| 5- Montážny krúžok na upevnenie vinylovej platne na tanieri gramofónu | 7- Prepínač výberu veľkosti platne: 7" alebo 12" |
| 6- Prepínač ovládania prehrávania dopredu/dozadu | 8- Prepínač rýchlosti prehrávania (33 ot/min. alebo 45 ot/min.) |
| 9- Tlačidlo ŠTART/STOP na spúšťanie a zastavovanie prehrávania vinylových platní | |
| 10- Tlačidlo UP/DOWN na spúšťanie a zdvíhanie ramena gramofónu | |
| 11- Tlačidlo spustenia funkcie opakovaného prehrávania platne REPEAT | |
| 12- Integrovaný reproduktor | 13- Centrovací krúžok platne s veľkým otvorom |
| 14- Držiak na uschovávanie centrovacieho krúžka platne | 15- Výstup slúchadiel |
| 16- Port napájania jednosmerným prúdom DC | 17- Líniový audio výstup RCA |

Pred prvým použitím gramofónu odstráňte bezpečnostný pásek z ramena gramofónu a opatrne odstráňte priehľadný ochranný kryt ihly (pozrite obrázok nižšie). Zastrčte dodaný adaptér striedavého/jednosmerného (AC/DC) prúdu do el. zásuvky, ako zdroj el. napätia, a následne zastrčte konektor DC adaptéra do portu jednosmerného (DC) prúdu na zadnej strane panela.

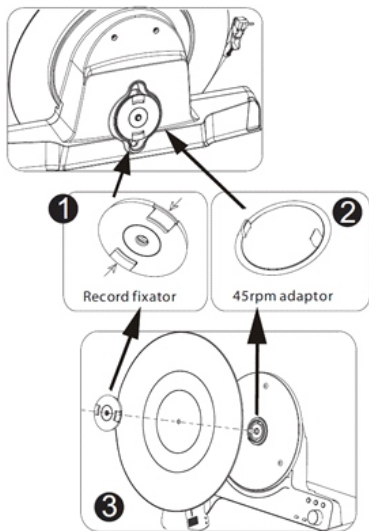


(Odstráňte priehľadný ochranný kryt ihly)

Zapínanie/vypínanie gramofónu/prepínanie režimu prehrávania/nastavenie hlasitosti: stlačte a na 3 sekundy podržte funkčné koliesko, zariadenie zapnete/vypnete; krátko stlačte koliesko, prepnete režim prehrávania medzi prehrávaním vinylovej platne/vysielaním signálu prehrávanej vinylovej platne prostredníctvom Bluetooth OUT / prehrávanie z Bluetooth IN. Po prepnutí režimu prehrávania zaznie príslušná hlasová správa s informáciou o vybranom režime. Otáčaním kolieska znížite alebo zvýšite výstupnú hlasitosť.

Všeobecné pripomienky ohľadne vinylových platní:

1. Predtým, než začnete prehrávať vinylovú platňu, snažte sa ju očistiť, odstráňte všetky čiastočky prachu či špiny. Na vykonanie tejto činnosti použite vhodnú jemnú mäkkú kefu, a v prípade väčších nečistôt, použite špeciálny čistiaci prostriedok na vinylové platne. Toto príslušenstvo nie je v súpave.
2. Znečistená a zaprášená platňa výrazne negatívne ovplyvňuje kvalitu reprodukovaneho zvuku, čo sa môže prejavovať praskaním a drobným skreslením.
3. V prípade, keď je povrch platne nerovný (bežné v prípade starších platní), platňa sa počas prehrávania môže kolísať, čo môže viesť k zmene stopy aj kvalitu zvuku. Pripomíname, že to nie je chyba tohto gramofónu. Aby ste minimalizovali tento jav, vždy sa snažte platňu správne umiestniť na tanier a dobre ju upevniť upevňovacím krúžkom.



Prehrávanie vinylových platní

Keď chcete spustiť prehrávanie platne, postupujte nasledovne.

1. Zapnite zariadenie, krátko stlačte funkčné koliesko (3), aktivuje sa režim prehrávania vinylových platní. LED ukazovateľ voľby režimu (4) zasvieti nabielo, a z reproduktora zaznie informácia „VINYL“.
2. Stlačte a podržte ľavé a pravé tlačidlo blokovania upevnenia krúžka upevňujúceho vinylovú platňu k tanieru, a vytiahnite z úchyty na zadnom paneli gramofónu
3. Opatrne položte vinylovú platňu na tanieri gramofónu, následne ju upevnite k tanieru upevňovacím krúžkom, ktorý zacvaknite na vretene, ktoré vyčnieva zo stredového otvoru platne.
4. Tlačidlami na prednom paneli vyberte príslušnú veľkosť platne (7) a uhlovú rýchlosť (8).
5. Krátko stlačte tlačidlo START/STOP, spustí sa prehrávanie platne. Rameno gramofónu sa automaticky presunie na okraj platne a začne prehrávať prvú stopu/skladbu. Opäť stlačte toto tlačidlo, prehrávanie sa zastaví, a rameno gramofónu sa automaticky vráti do držiaka ramena.
6. Keď chcete prejsť na predchádzajúcu alebo nasledujúcu stopu/skladbu, presuňte prepínač prehrávania dopredu/dozadu (6); keď chcete zdvihnúť alebo položiť rameno gramofónu, stlačte tlačidlo UP/DOWN (10).
- Krátko stlačte tlačidlo REPEAT (11), aktivuje sa funkcia opakovaného prehrávania vinylovej platne. LED ukazovateľ (4) zasvieti nazeleno. Keď skončí prehrávať platňu, rameno sa automaticky presunie a začne prehrávať platňu od začiatku. Opätovne stlačte tlačidlo REPEAT (11), funkcia opakovania sa vypne

Prehrávanie platní s veľkým stredovým otvorom (väčšinou platne s rýchlosťou prehrávania 45 ot/min.): Pri prehrávaní vinylovej platne s veľkým stredovým otvorom najprv umiestnite v priehlbne na tanieri (v strednej časti taniera) centrovací krúžok, ktorý je umiestnený na zadnom paneli gramofónu, a následne založte na ňom vinylovú platňu s veľkým otvorom a upevnite upevňovací krúžok tak, aby sa výstupky vyčnievajúce z centrovacieho krúžku zasunuli do otvorov na vnútornej strane upevňovacieho krúžku. Táto činnosť je predstavená na nasledovnom obrázku.

Prehrávanie vinylových platní s prenosom Bluetooth signálu do externého zariadenia (Bluetooth OUT): Tento model má funkciu Bluetooth OUT, ktorá umožňuje bezdrôtovo prenášať audio signál počas prehrávania vinylovej platne do rôznych externých zariadení, ako: aktívne Bluetooth reproduktory (napr. regálové reproduktory BLAUPUNKT BS60, BS50, BS40 alebo iné), Bluetooth slúchadlá, ako aj iné reproduktory podporujúce Bluetooth IN. Keď chcete aktivovať funkciu prenosu audio signálu do externého Bluetooth zariadenia, funkčným kolieskom (3) vyberte režim prehrávania vinylovej platne s prenosom Bluetooth signálu (LED kontrolka režimu prehrávania bliká nabielo, to znamená, že je zariadenie pripravené na spárovanie s externým Bluetooth zariadením, a z reproduktora zaznie informácia – „VINYL STREAM“). Zapnite externé Bluetooth zariadenie, aktivujte režim párovania Bluetooth (podrobnosti sú uvedené v príručke externého zariadenia), gramofón automaticky

rozpozná externé Bluetooth zariadenie a spáruje sa s ním. Po úspešnom spárovaní s externým Bluetooth zariadením LED kontrolka svieti nabieleno, a z reproduktora zaznie informácia – „CONNECTED“. Potom stlačte tlačidlo START/STOP (9), spustíte prehrávanie vinylovej platne, a zvuk sa bude prehrávať na externom Bluetooth zariadení.

Poznámky:

1. Pripomíname, že v tomto režime prehrávania sa hlasnosť nastavuje na pripojenom externom zariadení, a nie na gramofóne.
2. Optimálny pracovný dosah medzi gramofónom a externým Bluetooth zariadením je 10 metrov, pričom medzi zariadeniami nesmú byť vtedy žiadne prekážky.

Prehrávanie v režime Bluetooth IN

Tento gramofón má funkciu Bluetooth, ktorá umožňuje bezdrôtovo prehrávať hudbu z iných Bluetooth zariadení (napr. smartfónov, tabletov, televízorov ap.) na integrovaných reproduktoroch.

1. Zapnite zariadenie, stlačte funkčné koliesko (3), kým LED ukazovateľ voľby režimu (4) nezačne blikať namodro a z reproduktora nezaznie informácia – „BLUETOOTH“, to znamená, že zariadenie je pripravené na spárovanie s externým Bluetooth zariadením.
2. Zapnite funkciu Bluetooth na externom Bluetooth zariadení a vyhľadajte zariadenia dostupné na spárovanie (pozrite príručku externého zariadenia), a následne vyhľadajte na zozname dostupné Bluetooth zariadenie. Na spárovanie vyberte „BP VT100“, LED ukazovateľ výberu režimu (4) tohto gramofónu po úspešnom spárovaní svieti (stálym svetlom), a z reproduktora zaznie informácia „CONNECTED“.
3. Vyberte a spustíte prehrávanie hudby na externom Bluetooth zariadení, náležite nastavte hlasnosť, zvuk bude prehrávať integrovaný reproduktor gramofónu.
4. V režime prehrávania Bluetooth sa prehrávanie ovláda na externom Bluetooth zariadení.

Poznámky:

- a. Nemôžeme zaručiť, že všetky zariadenia Bluetooth sa správne spárujú, vzhľadom na rôzne štandardy a prístup rôznych značiek.
- b. Najlepší pracovný dosah Bluetooth je do cca 10 metrov, bez žiadnych prekážok medzi zariadeniami.
- c. Zariadenie sa dokáže spárovať a pracovať len s jedným zariadením Bluetooth naraz.
- d. Keď počas prehrávania prostredníctvom Bluetooth prijmete prichádzajúci hovor; hudba sa dočasne zastaví a obnoví sa po ukončení hovoru.

Líniový výstup RCA

Gramofón má jeden líniový výstup RCA, prostredníctvom ktorého sa dá káblom pripojiť k externému aktívnemu reproduktoru alebo zosilňovaču. Signál líniového výstupu je dostupný počas prehrávania vinylovej platne a v režime Bluetooth.

S použitím audio kábla RCA – RCA (nie je v súprave) pripojte líniový výstup RCA gramofónu a líniový vstup RCA externého zariadenia; V externom zariadení prepnite zdroj na režim líniového vstupu a nastavte úroveň hlasitosti; vyberte a spustíte prehrávanie hudby na gramofóne, zvuk začne prehrávať integrovaný reproduktor gramofónu, ako aj externé zariadenie. Aby ste predišli prekryvaniu zvuku z integrovaných reproduktorov gramofónu a z externých zariadení pripojených prostredníctvom líniového výstupu RCA, môžete funkčným kolieskom (3) úplne stlmiť zvuk reproduktorov gramofónu. Signál líniového výstupu má stálu úroveň, hlasnosť sa dá nastaviť nastavením hlasitosti na externom zariadení.

Slúchadlový výstup: pripojte káblové slúchadlá do portu slúchadiel na zadnom paneli gramofónu. Zvuk na integrovaných reproduktorov sa stlmí a bude sa prehrávať len v slúchadlách. Nastavte hlasnosť slúchadiel funkčným kolieskom (3). S použitím vhodného kábla, signál zo slúchadlového výstupu môžete použiť aj do vstupu AUX, napr. mikroveže, aktívnych reproduktorov ap.

Pri používaní Bluetooth slúchadiel odporúčame, aby ste ich pripojili v režime prehrávania vinylových platní s vysielaním Bluetooth signálu do externého zariadenia (Bluetooth OUT). Spôsob pripojenia je opísaný v predchádzajúcej kapitole tejto príručky.

Výmena ihly v prenoske AT3600L

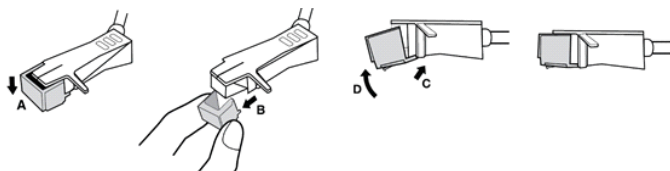
Ihla pri normálnom používaní má životnosť približne 300 hodín. Odporúčame, aby ste ihlu vymenili hneď, ako si všimnete negatívnu zmenu kvality zvuku.

1. Vyťahovanie ihly z prenosky
 - a. Prstami jemne uchopíte boky pláštia ihly a presuňte ju dole (tak ako na obrázku „A“)
 - b. Vytiahnite ihlu tak, ako je to predstavené na obrázku „B“.

Pozor: Ihlu vyťahujte z prenosky opatrne a pozorne. Nepoužívajte príliš veľkú silu, keďže sa môže poškodiť prenoska alebo zlomiť ihla.

2. Montáž novej ihly v prenoske

- a. Uchopte plášť ihly a vložte ju do prenosky takým smerom, ako je to predstavené na obrázku „C“.
- b. Presuňte ihlu dohora, tak ako je to predstavené na obrázku „D“, až kým sa nezablokuje v prenoske.



Varovanie:

1. Pred výmenou ihly odpojte gramofón od el. napätia. Ihlu nevyberajte z pláštá ani ju neohýbajte.
2. Ostré hrany, nedotýkajte sa ihly, aby ste predišli úrazu. Uschovávajte mimo dosahu detí.



3. Odporúčame, aby ste výmenu ihly zverili skúsenému profesionálnemu servisnému technikovi.

Riešenie problémov

1. Gramofón sa nedá zapnúť.
 - a. Skontroluje, či je zariadenie správne pripojené k el. napätiu.
2. Žiadny zvuk.
 - a. Skúste nastaviť koliesko hlasitosti a skontrolovať zdroj prehrávania.
 - b. Ak sa problém nepodarí vyriešiť, obráťte sa na servis, ktorý vám môže pomôcť.
3. Zvuk je deformovaný.
 - a. Skúste prehrávať pri nižšej úrovni hlasitosti.
 - b. Skúste vyčistiť vinylovú platňu a skúste to znova.
4. Zvuk je v režime Bluetooth prerušovaný.
 - a. Bluetooth zariadenie skúste umiestniť bližšie pri gramofóne.
 - b. Skúste znova spárovať gramofón a zariadenie Bluetooth.

Špecifikácia

Zdroj el. napätia: DC IN, 9 V/1,5 A

Výstupný výkon RMS: 2 x 5 W, THD10 %

Verzia Bluetooth: V5.1

Pracovný dosah Bluetooth: cca 10 metrov

Frekvencia vysielania: 2,402 ~ 2 480 GHz

Podporované protokoly: A2DP/AVCTP/AVDTP/AVRCP/GAVDP/HFP/HID/OPP/RFCOMM/SPP

Odchýlka otáčok gramofónu: axiálne hádzanie <0,6 mm

Prítláčná sila prenosky: 3,5 g (+0,5 g)

Model prenosky: AT3600L, značka Audio Technica

Príkon: 13,5 W

Odber prúdu v pohotovostnom režime: < 0,5 W

(Poznámky: vyššie uvedená špecifikácia výrobku sa môže zmeniť bez predchádzajúceho upozornenia).

FONTOS BIZTONSÁGI UTASÍTÁSOK



FIGYELEM!
ÁRAMÜTÉS VESZÉLYE
NE NYISSA KI!

**Figyelem:**

Az áramütés kockázatának csökkentése érdekében, ne távolítsa el a fedelet vagy hátra alkatrészeket. A készülékben nincs felhasználó által javítható alkatrészek. Forduljon képzett szakemberhez

A szimbólumok magyarázata:

Villám szimbólum elhelyezett egyenlő oldalú háromszögben figyelmezteti a felhasználót a szigetetlen "veszélyes feszültségre" a készülékben, amely elérheti a fenyegető áramütés méretét.ü



Felkiáltójel szimbólum elhelyezett egyenlő oldalú háromszögben figyelmezteti a felhasználót, hogy most az üzemeltetés és karbantartásról információk megjelennek a dokumentációban, a készülékhez hozzáadott.

Kérjük, figyelmesen olvassa el az alábbi biztonsági utasításokat, és ezeket a későbbiekben felmerülő kérdések esetére is tartsa meg. Vegye figyelembe a használati utasításban és a készülék hátoldalán található figyelmeztetéseket és utasításokat.

Fontos információk

- Tartsa meg a használati útmutatók későbbi kérdések esetében
- Kerülje a készülék vízzel vagy nedvességgel történő érintkezését
- Ne telepítse a készüléket az alábbi helyeken:
- Kerülje a berendezés közvetlen napfényvel vagy szokatlanul sok porral történő érintkezését.
- Ne helyezzen semmilyen más melegítő készülékek a berendezés mellett.
- A készülék helye ne legyen folyamatosan rezgő helyeken.
- A készülék helye ne legyen magas páratartalmú helyiségben.
- Ne helyezzen nyílt láng vagy gyertyák mellett.
- Berendezések csak kézikönyv szerint használható.
- A berendezés bekapcsolása előtt, győződjön meg róla, hogy az áramellátás megfelelően csatlakozik.
- USB memóriát közvetlenül bekapcsolható, 25 cm-es kábellel.

A hátoldalon és a készülék oldalán található légnyílások maradjanak szabadon. Soha ne próbálja meg a hibás készüléket megjavítani, minden esetben forduljon ügyfélszolgálatához. Ne nyissa fel a készüléket - ezt csak szakember teheti meg.

BIZTONSÁGI UTASÍTÁSOK

1. Olvassa el az utasításokat - figyelmesen olvassa el a biztonsági utasításokat.
2. Tartsa meg az útmutatót - későbbiekben felmerülő kérdések esetére tartsa meg a biztonsági utasításokat.
3. Vegye figyelembe a figyelmeztetéseket - Vegye figyelembe a használati figyelmeztetéseket és utasításokat.
4. Vegye figyelembe az utasításokat - Vegye figyelembe a használati figyelmeztetéseket és utasításokat.
5. Üzembevétel - Utasítások szerint ügyeljen.
6. Áramforrás - A készüléket csatlakoztassa csak a normál hálózati feszültséghez. Ha a felhasználó nem biztos abban, milyen típusú tápegysége van a házban, akkor forduljon a forgalmazóhoz vagy a helyi áramszolgáltatóhoz.
7. Földelés vagy teljesítmény polarizációja – a földelésre nincs szükség. Győződjön meg arról, hogy a csatlakozó teljesen be van helyezve a fali csatlakozóba vagy kiterjesztésbe. A berendezés egyes verziói egy polarizált csatlakozója van (az egyik pótlus szélesebb). Ez a dugó lehet illeszteni a fali aljzatba csak egyféle képpen. Ez egy biztonsági funkció. Ha nem lehet bedugni a dugót a konnektorba, próbálja fordítani őt. Ha a dugó még mindig nem illeszkedik az aljzatba, forduljon villanyszerelőhöz, hogy cseréltesse ki. Ne távolítsa el a biztonságot a polarizált dugóról. Amikor használ hosszabbítót vagy a hálózati kábel ami nem mellékel a készülékhez, megfelelő dugaszolhatóra és az adott országban biztonsági ellenőrzésre szüksége van.
8. Tápkábel biztosítása - Úgy helyezze el a hálózati kábelt, hogy abban senki ne botoljon meg. Fordítson különös figyelmet a dugaszolhatóra, a hálózati csatlakozóra és ezekre a helyekre ahol a kábelek vezetnek ki a készüléket.
9. Túlterhelés - ne terhelje túl a konnektorokat, hosszabbítót, és elektromos elosztók, mivel ez tüzet vagy áramütést okozhat.
10. Szellőzés - A készüléket szellőztetni kell. Ne tegye a készüléket puha felületre, pl. takaróra, szőnyegre vagy függönyök, falikárpit közelébe, mert a szellöző nyílások takarásba kerülhetnek, ezáltal a szükséges levegőcsere nem valósul meg.
11. Hőség - Ne helyezze a készüléket fűtőtestek vagy más hőt sugárzó források közelébe. Kerülje a berendezés közvetlen napfényvel. Nyílt láng, például gyertyák ne kerüljenek a készülékre.
12. Víz és nedvesség - Tűzveszély és egy esetleges áramütés elkerülése végett, a készüléket ne tegye ki esőnek vagy nedvességnek. A berendezést ne használja fürdőkádak, úszómedencék vagy fröcskölő vízforrás közelében.
13. Tárgyak és folyadékok a készülék - Idegen tárgyak ne tegyen be a készülékbe mert feszültség alatt lévő pontokat és alkatrészeket érinthetnek, ami tüzet vagy áramütést okozhat. Ne helyezzen folyadékkal telt tárolóedényeket a készülékre.
14. Tisztítás - A tisztítás előtt mindig húzza ki a készüléket a fali csatlakozóból. Port száraz ruhával távolítsa el. Ha a tisztításhoz aeroszolt használ, ne irányítsa közvetlenül a készülékre, de a ruhára. Ügyeljen arra, hogy ne sértse meg a meghajtó egységeket.
15. Kiegészítő berendezések - Ne használjon olyan tartozékokat, amelyek nem a gyártó által jóváhagyott, mivel azok veszélyt jelentenek.
16. Tartozékok - Ne helyezze a készüléket instabil kocsira, állványra, konzolra vagy asztalra. A készüléket megsérülheti és súlyos sérülést okozhat egy gyermek vagy egy felnőtt számára. Csak a gyártó által jóváhagyott vagy készülékkel eladó kocsit, állványt, konzolt vagy használható. A készüléket gyártói útmutató szerint felszerelhető.

17. A berendezés áthelyezése - a kocsin levő készüléket nagyon óvatosan mozdulni kell. Gyors fékezés, túlzott erőltetés és az egyenetlen felületek miatt felborulhat a készülék.
18. A berendezést nem használata - Ha a berendezést hosszabb ideig nem használja, áramtalanítsa azt.
19. Szerviz - Soha ne próbálja meg a hibás készüléket megjavítani, minden esetben forduljon ügyfélszolgálatához. Ne nyissa fel a készüléket - ezt csak szakember teheti meg. A karbantartási munkákat hagyja szakképzett személyeztre. Egyéb esetekben magát és másokat is veszélyeztet.
20. Ha a berendezést hosszabb ideig nem használja, áramtalanítsa azt. Ha a készülék csatlakoztatva van egy áramforráshoz, ez készenléti üzemmódban, és nem teljesen kizár.
21. Pótkatrészek - Alkatrészek cseréjekor ellenőrizze, hogy a szolgálati munkavállaló használt pótkatrészeket a gyártó által meghatározott, vagy ugyanilyenek, mint az eredeti rész. Nem engedélyezett részek esetében tűz, áramütés vagy egyéb veszélyes helyzet van.
22. Főbiztosítékok - Állandó készülék biztosításához megfelelő típusú és paraméterű biztosítókat használni kell. Biztosítékok paramétereit a készüléken vannak.
23. Ne növelje a hangerőt a kis hangerőjű dal vagy a bemenő audiojel hiányában mellett. Ellenkező esetben maradandó halláskárosodáshoz vezethet.
24. A villózáttal történő kicsatlakoztatáshoz a villás dugót teljesen nyomja ki a konnektorból. A aljzat vagy kábel bemeneti teljesítmény a készülék mindig elérhetőnek kell lenni a használat során a termék.
25. A készüléket a konnektor vagy hosszabbító közelében el kell helyezni, oly módon, hogy mindig rendelkezésre áll.
26. A készülék maximális környezeti hőmérséklete 35 °C.
27. Irányelvek az elektrosztatikus kislésről – ha a készülék működése zavarban van az elektrosztatikus kislés miatt, ki kell kapcsolni és újrapcsolni vagy más helyre mozdulni.
28. Elem
 - a. Ne helyezze a készüléket fűtőtestek vagy más hő sugárzó források közelébe. Kerülje a berendezés közvetlen napfényel.
 - b. Az akkumulátor kidobása alatt, fordítson figyelmet a környezetvédelemre.
 - c. Vigyázat elemek használatára vonatkozó: annak érdekében, hogy megakadályozza az elem szivárgását amely sérülést vagy kárt okozhat:
 - az elemek elhelyezése alatt, fordítson figyelmet a polaritásra (+ és -)
 - ne használjon különböző elemeket egyszerre – régi és új normál és alkalikus stb.
 - Vegye ki az elemeket a készülékből, ha nem használja hosszabb időre.

ERP2-ről megjegyzések (energiával kapcsolatos eszközök)

Ez a készülék okprojekttel megfelel a 2. szakasz biztonsági rendelet (EC) No 1275/2008 irányelvet átültető 2009/125/EK energiafogyasztásról a fogatékkal élő és működő készenléti üzemmódban elektronikus eszközökről irodában és házban. 15 perc a bevételi jel nélkül után, a készülék automatikusan készenléti üzemmódba átkapcsol.

Információk a normál működésbe helyezéséről az útmutatóban megtalálható.

Fontos információk

Ez a készülék fel van szerelve egy energiatakarékos üzemmóddal: 30 perc a bevételi jel nélkül után, a készülék automatikusan készenléti üzemmódba átkapcsol (ERP2 szabvány). Meg kell jegyezni, hogy az alacsony hangerő az lehet ismerni "nincs hangként": ez befolyásolhatja a jel észlelésére és automatikusan készenléti üzemmódba kapcsolására. Ebben az esetben vissza kell állítani az audiojel adása vagy növelni a hangerőt a hangforrásban (MP3-lejátszó, stb). Ha a probléma továbbra is fennáll, lépjen kapcsolatba a helyi márkaszervizzel.

FIGYELEM

A készüléket nem használhatják olyan személyek (beleértve a gyerekeket), akik testi, érzékszervi vagy szellemi fogyatékoságtól szenvednek és az elégtelen tudás és tapasztalatú is, ha a felelős személy nem felügyeli és nem kapta meg elég információ a készülékről. Felnőttek jelenlétre szüksége van ha a gyerekek használják a készüléket. Ez biztosítja a biztonságos használatát.

1. Soha ne hagyja a gépet felügyelet nélkül! Kapcsolja ki készüléket, ha nem használ, bár egy rövid ideig.
2. Ne használja a készüléket egy külső órajel időzítővel, vagy egy külön távvezérlő rendszerrel.
3. Kockázatának elkerülése érdekében a a tápkábel megsérülése esetében, a cserét gyártónak kell végezni, meghatalmazott szolgáltató, vagy más személy aki rendelkezik megfelelő képzéssel.
4. Mielőtt használatba venné a készüléket, ellenőrizze, hogy a hálózati feszültség megegyezik a feszültséggel előforduló helyi hálózatban.
5. Ne tegye a készüléket puha felületre, pl. takaróra, szőnyegre vagy függönyök, falikárpit közelébe, mert a szellőző nyílások takarásba kerülhetnek, ezáltal a szükséges levegőcseré nem valósul meg. Győződjön meg arról, hogy a készüléktől legalább 20 cm szabad hely, és a két oldalán - legalább 5 cm-t.
6. Amennyiben a készülékbe idegen anyag, test vagy folyadék kerül, ne helyezzen folyadékkal telt tárolóedényeket, pl. vírágvázat a készülékre.
7. Tűzveszély és egy esetleges áramütés elkerülése végett, a készüléket ne tegye ki esőnek vagy nedvességnek.
8. A berendezést ne használja fürdőakádak, úszómedencék vagy fröcskölő vízfórás közelében. Tartsa meg stabil helyeken.
9. Ne tegye ki erős mágneses mezőre.
10. Ne helyezze a készüléket közvetlenül az erősítőn vagy vevőn.
11. Ne helyezze a készüléket párás helyen, mert a nedvességnek hátrányos hatása van az elektromos alkatrészekre.
12. A készülék hozása a hideg helyről meleg vagy nedves helyre páralecsapódás a lencsén a lejátszó belsejében történhet. Ebben az esetben a készülék nem helyesen működhet. Hagyja a gépet bekapcsolva körülbelül egy óráig, hogy lehetővé tegye a nedvesség párolgást.
13. Ne tisztítsa a készüléket kémiai oldószerekkel, a készülék lakk megsemmisítése miatt. Az eszköz tiszta, száraz vagy enyhén nedves ruhával tisztítható.

14. A konnektorból történő kihúzás esetén ne a kábelt, hanem a villásdugót húzza ki.
15. A készülék működik a bekapcsolt tévé mellett, ez a zaj a képernyőn forrásra lehet. A TV adás hullámaiktól függő. Azt nem jelenti hibás se tévé se rádió működését. Ebben az esetben távolítsa a készüléket a tévétől.
16. A hálózati csatlakozó a hálózathoz kihúzásához használható. Fontos, hogy mindig elérhető.
17. Hogy megakadályozzák az esetleges halláskárosodást, ne hallgass hangosan zenét egy hosszú ideig.

**FIGYELEM**

Megfelelőség

A Blaupunkt Competence Center 2N-Everpol Sp. z o.o. kijelenti, hogy ez a készülék megfelel a 2014/53/EU irányelv alapvető követelményeinek és más vonatkozó rendelkezéseinek. A megfelelőségi nyilatkozat a termék honlapjáról szerezhető be: www.blaupunkt.com.

Felélősfél: 2N-Everpol Sp. z o.o., Puławska 403A, 02-801 Varsó, Lengyelország, telefon: +48 22 688 08 00, e-mail: info@everpol.pl



A termék kiváló minőségű anyagokból és alkatrészekből áll, újrahasznosíthatók és újra felhasználhatók.



Ha a készüléken áthúzott kerek kuka szimbólum látható, az azt jelenti, hogy a termékre a 2012/19/EU európai irányelv rendelkezései vonatkoznak. Ennek alapján kérjük, kövesse a helyi előírásokat, ismerkedjen meg a helyi elektromos és elektronikus hulladékgyűjtő rendszer követelményeivel, és e termék esetében tartsa be azokat.

EZT A TERMÉKET NE SZENVEDJE A HÁZTARTÁSI HULLADÉKOKHOZ!

EZ A TERMÉK VESZÉLYES ANYAGOT, KEVERÉKET ÉS ÖSSZETEVŐKET TARTALMAZ, AMELY ENGEDÉLYMENTESSÉGÉN A TERMÉSZETES KÖRNYEZETRE ÉS AZ EMBERI EGÉSZSÉGRE VONATKOZÓ POTENCIÁLIS HATÁSOK FORRÁSA LEHET!

A használt termék megfelelő ártalmatlanítása megakadályozza a környezetre és az emberi egészségre gyakorolt negatív hatásokat.



A készülék fel van szerelve akkumulátorral ami megfelel a 2006/66/EC európai irányelv követelményeinek. Ne dobja az elemet a normál háztartási szeméttel. Kérjük, olvassa el a követelmények a helyi rendszerről a hulladék elektromossal és elektronikus berendezésekkel kapcsolatos. Helyi követelmények szerint csinálni kell. Ne dobja a terméket a normál háztartási szeméttel.

Információk a környezetvédelemről

A csomag csak a szükséges elemeket tartalmaz. Minden erőfeszítést tettek, hogy a csomagolóanyag három összetevője könnyen elkülönített legyen: karton (doboz), polisztirol (belső biztonság) és polietilén (zacskó, védő lap). A készülék olyan anyagból készült, melyek újrahasznosíthatók és szétszerelhetőek. Kérjük, olvassa el a követelmények a helyi rendszerről a hulladék elektromossal és elektronikus berendezésekkel kapcsolatos.

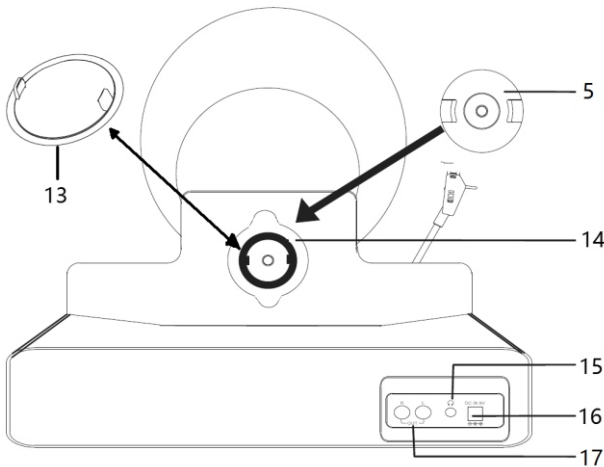
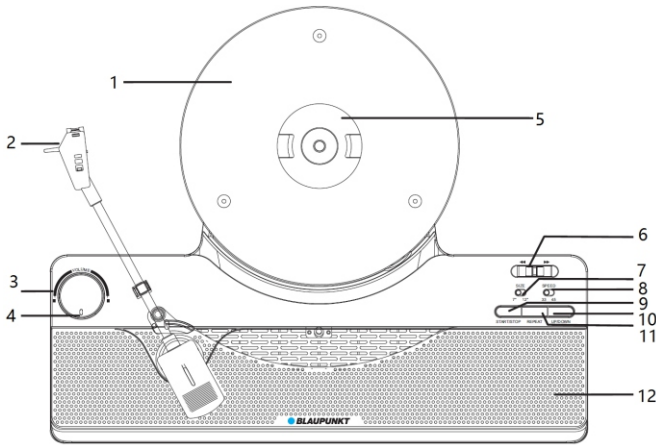
Felvételhez és lejátszáshoz engedélyre van szükség. Lásd a szerzői jogi törvényt, valamint az előadók / művészek jogairól.



A Bluetooth[®] szó márkajelzés és logó a Bluetooth SIG, Inc. bejegyzett védjegyei, és ezen márkajelzéseket engedéllyel használjuk. Más védjegyek és márkanevek a vonatkozó tulajdonoshoz tartoznak.

Köszönjük, hogy a mi modellünket választottad, kérjük, a használatbavétel előtt olvasd el figyelmesen és ismerd meg ezt az útmutatót. A használati útmutatót későbbi igénybevétel céljából őrizd meg.

Vezérlőelemek elhelyezése



- 1- Lemeztájtó tányér 2- Tűtartó tűvel
- 3- Funkció tekerőgomb (bekapcsolás / kikapcsolás, lejátszási mód kiválasztása, hangerőszabályozás)
- 4- LED lejátszási mód jelző. (Fehér szín = vinyl lejátszási mód; Fehér villogás = vinyl lejátszási mód Bluetooth jelátvitellel külső eszközhöz, pl. külső aktív hangszóróra, Bluetooth fejhallgatóra stb; Kék = Bluetooth lejátszási mód külső eszközökhöz - okostelefon, táblagép, PC)
- 5- Gyűrű a vinyl lemez rögzítéséhez a lemeztájtó tányérján 6- Előre / vissza lejátszásvezérlő kapcsoló
- 7- Kapcsoló a lemez méret kiválasztásához: 7" vagy 12" 8- Választó kapcsoló a lejátszási sebességhez (33 rpm vagy 45 rpm)
- 9- START / STOP gomb a vinyl lemez lejátszás indításához és leállításához
- 10- UP / DOWN gomb a lemeztájtó karjának le- és felemeléséhez 11- REPEAT a lemez ismételt lejátszás funkció gomb
- 12- Beépített hangszóró 13- Lemez adaptergyűrű nagy furattal
- 14- Adaptergyűrű tartó a lemez centrálásához és rögzítéshez 15- Fejhallgató kimenet
- 16- DC egyenáramú tápaljzat 17- RCA vonalas audió kimenet

A lemezjátszó első használata előtt vedd le a biztonsági kábelt a lemezjátszó karjáról, és óvatosan távolítsd el az átlátszó védő fedelet (lásd az alábbi képet). Csatlakoztasd a mellékelt AC/DC hálózati adaptert a háztartási AC váltóáramú aljzathoz az áramellátás érdekében, majd csatlakoztasd a tápegység DC egyenáramú csatlakozóját a hátlapon lévő DC egyenáramú tápcsatlakozóba,

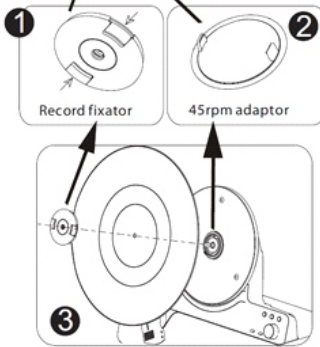
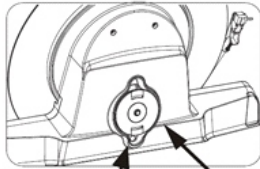


(Távolítsd el a tű átlátszó védőburkolatát)

Lemezjátszó be / ki / lejátszási mód / hangerő beállítása: a készülék be / ki kapcsolásához tartsd lenyomva a funkciógombot 3 másodpercig; nyomd meg röviden a gombot a lejátszási mód közötti váltáshoz a vinyllemez lejátszása Bluetooth OUT / Bluetooth IN módok között. A lejátszási mód váltásakor egy megfelelő hangüzenet jelenik meg, amely jelzi a kiválasztott módot. Forgasd el a gombot a kimeneti hangerő csökkentéséhez vagy növeléséhez.

Általános megjegyzések a vinyl lemezekről:

1. Mielőtt lejátszanád a vinyl lemezt, próbáld meg megtisztítani a rajta lévő porszemcséktől vagy portól. Ehhez használd a megfelelő kefét, erősebb szennyeződések esetén pedig speciális vinyl tisztítót. Ezek a tartozékok nem képezik a készlet részét.
2. A piszkos és poros lemez nagymértékben befolyásolja a lejátszott hang minőségét, ami recsegésben és kisebb torzításban nyilvánulhat meg.
3. Ha a lemez felülete egyenetlen (ez a régebbi lemezeknél gyakori jelenség), akkor a lemez lejátszás közben meginoghat, és átugrálnak a sávok között, ami befolyásolja a hangminőséget. Felhívjuk figyelmét, hogy ez nem a lemezjátszó hibája. Ennek minimalizálása érdekében próbáld meg megfelelően elhelyezni a lemezt a táányéron, és rögzítsd jól egy rögzítőgyűrűvel.



Vinyl lemez lejátszása

A lemez lejátszásához kövesd az alábbi lépéseket.

1. Kapcsold be a készüléket, majd nyomd meg röviden a funkciógombot (3), hogy vinyl lejátszási módba juss. A LED üzemmódválasztó kijelző (4) fehéren világít, és a hangszóróból a "VINYL" hangjelzés hallható.
2. Nyomd meg és tartsd lenyomva a bakelitlemez-tányér rögzítő gyűrű bal és jobb oldali reteszelőgombját, hogy kivedd azt a lemezjátszó hátlapián lévő tartóból.
3. Óvatosan helyezd a vinyl lemezt a lemezjátszó táányérjára, majd rögzítsd azt a táányérhoz a rögzítőgyűrűvel, rápattintva azt a lemez középső furatából kiálló orsróra.
4. Az előlapon található gombok segítségével válaszd ki a megfelelő lapméretet (7) és sebességet (8).
5. Nyomd meg röviden a START / STOP gombot a lemez lejátszásának elindításához. A lemezjátszó karja automatikusan a lemez széleire mozdul, hogy megkezdje az első szám lejátszását. A lemezszél leállításához nyomd meg újra ezt a gombot, és a lemezjátszó kar automatikusan visszatér a kar rögzítőre.
6. Ha az előző vagy a következő zeneszámr szeretnél ugrani, mozgasd ennek megfelelően az előre / vissza lejátszásvezérlő kapcsolót (6); a lemezjátszó karjának felemeléséhez vagy leengedéséhez nyomd meg a FEL / LE gombot (10).
7. Nyomd meg röviden a REPEAT gombot (11) a vinyl lejátszás ismétlési funkciójának aktiválásához. A LED-kijelző (4) zöld színnel világít. Amikor a készülék befejezi a lemez lejátszását, a kar automatikusan elmozdul, és a lemez lejátszása az elejétől kezdődik. Nyomd meg újra a REPEAT gombot (11) az ismétlési funkció megszüntetéséhez.

Nagy központi lyukkal rendelkező lemezek lejátszása (általában 45 fordulát / perc lejátszási sebességű lemezek): Nagy központi lyukkal rendelkező vinyl lemez lejátszásakor először helyezd a lemezjátszó hátlapián lévő tartóból található központosító adaptergyűrűt a táányér középső részébe (a táányér középső részébe), majd helyezd a nagy lyukkal rendelkező vinyl lemezt a táányérra, és rögzítsd a rögzítőgyűrűt úgy, hogy a központosító gyűrűből kiálló fűlek a rögzítőgyűrű belső oldalán lévő lyukakba csúszzanak. Lásd az alábbi ábrán ezt a műveletet.

Vinyl lemezek lejátszása Bluetooth jelátvitellel külső eszközre (Bluetooth OUT): Ez a modell Bluetooth OUT funkcióval rendelkezik, amely lehetővé teszi az audiojel vezeték nélküli továbbítását vinyl lemez lejátszás közben külső eszközökre, például aktív Bluetooth hangszórókra (pl. BLAUPUNKT BS60, BS50, BS40 polc hangszórók vagy más eszközökre), Bluetooth fejhallgatókra és más Bluetooth IN funkcióval rendelkező hangszórókra. Az audiojel átviteli funkció külső Bluetooth-eszközre történő aktiválásához használd a funkciógombot (3) a vinyllemez lejátszási mód kiválasztásához Bluetooth jelátvitellel (a LED lejátszási mód jelzőjének fehéren kell villognia, ami azt jelenti, hogy készen áll a párosításra a külső Bluetooth eszközzel, és a hangszóró egy hangüzenetet ad ki - "VINYL STREAM"). Kapcsold be a külső Bluetooth eszközt, és kapcsold Bluetooth párosítás módba (a részletekért nézd meg a külső eszköz használati kézikönyvét), ez a lemezjátszó automatikusan felismeri a külső

Bluetooth eszközt, és csatlakozik hozzá. A külső Bluetooth eszközzel való sikeres párosítás után a led-kijelző stabilizálódik, fehéren világít, és a hangszóróból hangjelzés hallható - "CONNECTED". Ezután nyomd meg a START / STOP gombot (9) a vinyl lemez lejátszásának elindításához, és a hang a külső Bluetooth-eszközön keresztül szólal meg.

Megjegyzések:

1. Felhívjuk figyelmedet, hogy ebben a lejátszási módban a hangerőszabályozás a csatlakoztatott külső eszközön érhető el, nem pedig a lemezjátszón.
2. A lemezjátszó és egy külső Bluetooth-eszköz közötti optimális működési távolság 10 méter, ha az eszközök között nincs akadály.

Bluetooth IN lejátszás

Ez a lemezjátszó Bluetooth funkcióval rendelkezik, amely lehetővé teszi a zene vezeték nélküli lejátszását más Bluetooth-eszközökről (pl. okostelefonokról, táblagépekről, televíziókról stb.) a beépített hangszórókon keresztül.

1. Kapcsold be a készüléket, és nyomd meg a funkciógombot (3), amíg a ledes üzemmódválasztó kijelző (4) kék színnel villog, és a hangszóróból hangjelzés - "BLUETOOTH" - szólal meg, jelezve, hogy a készülék készen áll a külső Bluetooth-eszközzel való párosításra.
2. Kapcsold be a Bluetooth funkciót a külső Bluetooth eszközön, és keresd a párosításhoz rendelkezésre álló eszközöket (ellenőrizd a külső eszköz felhasználói kézikönyvében), majd keresd a listában a rendelkezésre álló Bluetooth-eszközt. Válaszd ki a "BP VT100" párosítást, a lemezjátszó ledes üzemmódválasztó kijelzője (4) a sikeres párosítás után folyamatosan világít, és a hangszóróból hangjelzés hallható: "CONNECTED".
3. Válaszd ki és játszd le a zenét egy külső Bluetooth-eszközről, állítsd be a hangerőt ennek megfelelően, majd a hang a lemezjátszó beépített hangszórójából fog szólni.
4. Bluetooth lejátszási módban külső Bluetooth-eszközt használj a vezérléshez.

Megjegyzések:

- a. A különböző kialakítások és márkák miatt nem garantált, hogy minden Bluetooth-eszköz megfelelően párosodik.
- b. A Bluetooth leghatékonyabb működési távolsága 10 méter, amennyiben nincs akadály a készülékek között.
- c. A készülék egyszerre csak egy Bluetooth-eszközt tud párosítani és működni.
- d. Ha bejövő hívás érkezik a Bluetooth lejátszás közben; a zene ideiglenesen szünetel, és folytatódik, amikor a telefonhívás befejeződik.

RCA vonalas kimenet

A lemezjátszó egy RCA vonalas kimenettel rendelkezik, amely lehetővé teszi a vezetékes csatlakozást külső aktív hangszóróhoz vagy erősítőhöz. A vonalkimenet jele vinyl lemez lejátszásakor és Bluetooth módban elérhető.

Egy RCA - RCA audiókábel (nem tartozék) segítségével csatlakoztasd a lemezjátszó RCA vonalas kimenetét a külső eszköz RCA vonalas bemenetéhez. A külső eszközön kapcsold át a forrást vonal bemeneti üzemmódba, és állítsd be a hangerőt; kiválasztod és lejátszod a zenét a lemezjátszón, akkor a hang a lemezjátszó beépített hangszóróján és egy külső eszközön is megjelenik. A lemezjátszó beépített hangszórói és az RCA vonalas kimenetre csatlakoztatott külső eszközök közötti hangtárfedés elkerülése érdekében a funkciógomb (3) segítségével teljesen el lehet némitani a lemezjátszó hangszóróinak hangját. A vonal kimeneti jelnek fix szintje van, és a hangereje a külső eszköz hangerőszabályozójával állítható.

Fejhallgató kimenet: csatlakoztasd vezetékes fejhallgatót a lemezjátszó hátlapján található fejhallgató aljzathoz. A beépített hangszórók hangja elnémul, és a hang csak fejhallgaton keresztül érhető el. Állítsd be a fejhallgató hangerejét a funkciógomb (3) segítségével.

Megfelelő kábel segítségével a fejhallgató kimenet jele az AUX bemenetre is betáplálható, pl. mikrorendszerben, aktív hangszórókban stb.

Bluetooth fejhallgató használata esetén javasoljuk, hogy vinyl lejátszási módban csatlakoztassa Bluetooth jelátvitellel egy külső eszközre (Bluetooth OUT). A csatlakoztatás módját a kézikönyv előző szakasza ismerteti.

Tűcsere az AT3600L tartóban

A tű normál használat mellett körülbelül 300 órát bír ki. A tűt ajánlott kicserélni, amint a hangminőségben változást észlel.

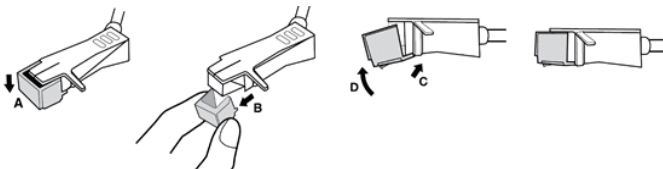
1. A tű eltávolítása a tartóból

- a. Óvatosan fogd meg ujjaddal a tűtartó oldalát, és mozgasd lefelé (az "A" ábrán látható módon)
- b. Húzd ki a tűt a "B" ábrán látható módon.

Figyelem: Amikor kiveszed a tűt a tartóból, óvatosan végezd ezt a műveletet. A túl nagy erő alkalmazása károsíthatja a betétet vagy eltörheti a tűt.

2. Új tű beszerelése a tartóba

- a. Fogd meg a tűburkolatot, és helyezd be a tartóba a "C" ábrán látható irányban.
- b. Mozdasd a tűt felfelé a "D" ábrán látható módon, amíg be nem záródik a betétbe.



Figyelmeztetés:

1. A tű cseréje előtt válaszd le a lemezjátszót a tápegységről. Ne vedd ki magát a tűt a tokból, és ne hajlítsd meg.
2. Éles élek, ne érintsd meg a tűt, hogy elkerüld a kéz sérülését. Gyermekek elől elzárva tartandó.



3. Javasoljuk, hogy egy tapasztalt vagy szakképzett szerviztechnikus cserélje ki a tűt.

Problémamegoldás

1. A lemezjátszó nem tud bekapcsolni.
 - a. Ellenőrizd, hogy az áramellátás megfelelő-e.
2. Nincs hang.
 - a. Próbáld meg beállítani a hangerőgombot, és ellenőrizd a lejátszási forrást.
 - b. Ha a probléma továbbra is fennáll, fordulj szervizhez.
3. Torzított hang.
 - a. Próbáld meg kisebb hangerővel lejátszani a zenét.
 - b. Próbáld meg megtisztítani a vinyl lemezt, és próbáld meg újra lejátszani.
4. A hang szakad Bluetooth üzemmódban.
 - a. Próbáld közelebb helyezni a Bluetooth eszközt a lemezjátszóhoz.
 - b. Próbáld meg újra párosítani a lemezjátszót a Bluetooth-eszközzel.

Műszaki adat

Áramforrás: DC IN, 9V/1,5A

RMS kimeneti teljesítmény: 2 x 5W, THD10%

Bluetooth verzió: V5.1

Bluetooth működési tartomány: kb. 10 méter

Átviteli frekvencia: 2,402~2,480 GHz

Támogatott protokollok: A2DP / AVCTP / AVDTP / AVRCP / GAVDP / HFP / HID / OPP / RFCOMM / SPP

A forgótányér forgási eltérése: axiális kifutás <0,6mm

Nyomáserő értéke: 3,5g (+0,5g)

Tübetét modell: AT3600L, Audio Technica márka

Áramfelvétel: 13,5W

Áramfelvétel készenléti állapotban: <0,5 W

(Figyelem: a készülék műszaki adatai előzetes értesítés nélkül módosulhatnak).

VAŽNE SIGURNOSNE UPUTE



UGROŽENJE OD ELEKTRIČNOG
UDARA NEMOJTE OTVARATI

Oprez:

Kako bi se smanjila opasnost od električnog udara, nemojte skidati poklopac niti stražnj dio uređaja. Unutar uređaja ne postoje komponente za popravak od strane korisnika. Održavanje i popravak opreme izvršava isključivo kvalificirano servisno osoblje.

Objašnjenje grafičkih simbola:



Simbol munje sa sa strelicom koji se nalazi u jednakostraničnom trokutu upozorava na prisutnost neizoliranog, opasnog napona unutar kućišta uređaja koja može postići veličinu uzrokujuću strujni udar.



Uskličnik unutar jednakostraničnog trokuta upozorava korisnika da ovdje su prezentirane važne poruke za rad i održavanje opreme u dokumentaciji priloženoj uređaju.

Pročitajte ovaj priručnik prije uporabe uređaja da se upoznate sa značajkama i kako koristiti uređaj sukladno namjeni. Ovo će osigurati dugotrajan, besprijekoran rad uređaja i zadovoljstvo uz korištenje.

Važne informacije

- Sačuvajte operativne upute i sigurnosne informacije kako bi se ih moglo koristiti u budućnosti.
- Nemojte dopustiti da na uređaj kapa ili proliva se bilo koja tekućina.
- Ne smijete se također koristiti na vlažnim mjestima, kao što su npr. kupaoonica.
- Ne postavljajte uređaj na sljedećim mjestima:
- Izložen suncu ili blizu grijalica.
- Na vrh druge stereo opreme koja generira toplinu.
- Tako da blokira ventilaciju ili u prašnjavom mjestu.
- U okruženju izloženom neprekidnim vibracijama.
- U područjima visoke vlage.
- Ne postavljajte uređaj blizu otvorenog plamena ili otvorene vatre.
- Uređaj se može koristiti samo na način opisan u ovim uputama.
- Prije prvog uključivanja napajanja, pobrinete se da je napajanje ispravno pripojeno.
- USB memoriju se pripaja neposredno ili preko produžnog USB kabela s dužinom do 25 cm.

Iz sigurnosnih razloga, nemojte skidati poklopce ili pristupiti unutrašnjosti uređaja. Uređaj smije popravljati samo kvalificirano servisno osoblje.

Nemojte rastavljati uređaj ili otvarati njegovo kućište, jer unutra nema dijelova koje bi se moglo popraviti od strane korisnika. Ržavanje i popravak opreme izvrši isključivo kvalificirano servisno osoblje.

Sigurnosne upute

1. Pročitajte upute - prije uporabe stroja, pročitajte sve upute i informacije o sigurnosti.
2. Sačuvajte ove upute - zadržite upute za upotrebu i održavanje kako bi se ih moglo koristiti u budućnosti.
3. Poštujte upozorenja - slijedite sva upozorenja objavljena na uređaju te koje se nalaze u uputama.
4. Slijedite upute - slijedite upute i preporuke za korisnike.
5. Montaža - montirajte uređaj prema uputama proizvođača.
6. Izvori energije - uređaj treba napajati samo iz izvora koji je naveden na naljepnicama na kabelu napajanja. Ako niste igurni koju vrstu napajanja ima vaša kuća, obratite se prodavatelju ili lokalnoj energetskoj tvrtki.
7. Uzemljenje ili polarizacija napajanja - uređaj ne mora biti uzemljen. Provjerite je li utikač potpuno umetnut u utičnicu ili u produžni kabel, kako bi se spriječilo otkriće igle ili kontakata. Neke verzije stroja mogu biti opremljene polariziranim utikačem izmjenične struje (jedna lopatica je šira). Ovaj utikač se može umetnuti u utičnicu samo na jedan način. Ovo je sigurnosna značajka. Ako ne možete staviti utikač u utičnicu, pokušajte ga okrenuti. Ako utikač i dalje ne odgovara utičnici, pozovite električara da to promijeni. Ne skidajte zaštitu polariziranog utikača. Kada koristite produžni kabel ili kabel za napajanje osim isporučenog s uređajem morate imati odgovarajuće čepove i potvrdu o sigurnosti potrebnu za određenu zemlju upotrebe.
8. Osiguranje kabela za napajanje - energetski kabeli moraju biti preusmjereni na takav način kako ne bi se moglo kroz njih hoditi, pritiskivati ili obrezivati bilo kojim postavljenim objektima. Obratite posebnu pozornost na utikače, utičnice i mreže, gdje kabeli izlaze iz uređaja.
9. Preopterećenja - nemojte preopteretiti zidne utičnice, produžne kabele i električne distributere, jer ovo baš može dovesti do požara ili strujnog udara.
10. Ventilacija - uređaj mora biti pravilno provjetran. Ne postavljajte uređaj na krevet, kauč ili drugu sličnu površinu. Nemojte prekrivati stroj stolnjakom, salvetom, novinama i sl.
11. Vrućina - nemojte postavljati uređaj u blizini izvora topline kao što su grijači, radijatori, peći i ostali uređaji (pojačala) koji stvaraju toplinu. Ne stavljajte na uređaj upaljenih svijeća i drugog otvorenog plamena.
12. Voda i vlaga - kako bi se smanjio rizik od požara ili električnog udara, nemojte izlagati uređaj kiši, vlazi i vodi, na primjer u sauni ili u kupaonici. Ne koristite ovaj proizvod u blizini vode, primjerice blizu kade, umivaonika, sudopera ili kade za pranje rublja, u vlažnom podrumu ili blizu bazena (ili u drugim sličnim mjestima).

14. Čišćenje - uvijek prije čišćenja isključite uređaj iz zidne utičnice. Prašinu oko zvučnika se može ukloniti suhom krpom. Ako za čišćenje će se koristiti sredstvo u obliku aerosola, sprej ne bi se smjelo da bude usmjeren izravno na stroj, ali tkaninu. Budite oprezni da ne oštetiti pogonske jedinice.
15. Dodatna oprema - nemojte koristiti pribore koji nisu odobreni od strane proizvođača, jer mogu predstavljati prijetnju za rad uređaja i za samog korisnika.
16. Pribori - nemojte postavljati uređaj na nestabilne kolice, stalku, tronožcu, nosaču ili stolu. Uređaj se može kotrljati i oštetiti se ili uzrokovati ozbiljne ozljede djeci ili odraslim osobama. Koristite samo kolice, stalke, tronožce, nosače ili stolove kojih preporučuje proizvođač ili se ih prodaje zajedno s uređajem. Montažu uređaja se mora provesti u skladu s uputama proizvođača, koristite pribore za ugradnju oobrene od strane proizvođača.
17. Premještanje stroj - uređaj postavljen na kolicama mora se premješati vrlo pažljivo. Naglo zaustavljanje, previša sila i neravne površine mogu uzrokovati da kolica s uređajem prevrne.
18. Vrijeme bez korištenja uređaja – kabel napajanja mora biti isključen iz zidne utičnice tijekom grmljavinskog nevremena ili ako se ga ne koristi duže vrijeme.
19. Servisiranje - ne pokušavajte pogledati unutrašnjost uređaja sami. Otvaranje poklopca može uzrokovati opasne napone i izložiti vas drugim opasnostima. Održavanje i popravak opreme vrši isključivo kvalificirano servisno osoblje.
20. Kada stroj nije u uporabi, izvucite mrežni utikač iz zidne utičnice. Kad je uređaj pripojen na izvor napajanja, uređaj je u stanju čekanja i nije u potpunosti isključen.
21. Rezervni dijelovi – tijekom zamjene dijelova, treba provjeriti dla li serviser je koristio rezervne dijelove koje preporučuje proizvođač ili dijelove koje su identične originalnim dijelom. Izrada zamjene neodobrenih rezervnih dijelova ugrožava od požara, strujnog udara ili drugih opasnosti.
22. Glavni osigurači – da bi se konstantno osiguralo uređaj od požara, koristite osigurače samo odgovarajuće vrste i određenih parametara. Parametri osigurača u rasponu napona su označeni na uređaju.
23. Ne smije se da se poveća glasnoću dijela kad se sluša dio s niskom glasnoćom ili u slučaju odsutnosti ulaznog audio signala. Inače, s naglim porastom snage signala možete oštetiti zvučnik.
24. Jedini način da isključite uređaj iz izvora napajanja je takav da odspojite mrežni kabel iz zidne utičnice ili uređaja. Električna utičnica ili kabel ulazne snaga na uređaju mora biti uvijek na raspolaganju kada koristite proizvod.
25. Uređaj bi trebao biti instaliran u blizini utičnice napajanja ili produžnog kabela na takav način su oni uvijek na raspolaganju.
26. Maksimalna temperatura okoline uređaja je 35°C
27. Savjeti za elektrostatička pražnjenja - ako se rad prekine zbog elektrostatičkog pražnjenja, isključite uređaj ponovno ili premjestiti ga na drugo mjesto.
28. Baterija
 - a. Baterije se ne smije izlagati pretjeranoj toplini, npr. suncu, vatri i sličnim uvjetima.
 - b. Kod zbrinjavanja baterije, obratite pažnju na aspekte okoliša.
 - c. Ponašajte se oprezno tijekom korištenjem baterija: kako bi se spriječila curenje baterije, koje može uzrokovati ozljede ili oštećenja na uređaju:
 - Pri umetanju baterija obratite pažnju na polaritet (+ i -).
 - Nemojte koristiti različite baterije u isto vrijeme - stare i nove, alkalne baterije, standardne itd.
 - Izvadite baterije iz uređaja kad se ga neće koristiti duže vrijeme.

UPOZORENJE

Uređaj ne smije biti korišten od strane osoba (uključujući djecu) sa smanjenim fizičkim, osjetljivim ili mentalnim sposobnostima te osoba s nedovoljnim znanjem i iskustvom, ako nisu one pod nadzorom osobe odgovorne za njihovu sigurnost i nisu obučeni o tome kako sigurno koristiti uređaj. Prisutnost odraslih je potrebna ako uređaj koriste djeca; ovo će osigurati sigurnu uporabu uređaja.

1. Nikada ne ostavljajte stroj da radi bez nadzora! Isključite uređaj kada nije u uporabi, čak i za kratko vrijeme.
2. Uređaj se ne može upravljati putem vanjskog sata s timerom, ili posebnim sustavom daljinskog upravljanja.
3. Da bi se izbjegla opasnost u slučaju štete za zamjenu kabela napajanja treba se obratiti proizvođaču, ovlaštenom servisu ili drugim stručnim osobama.
4. Prije uporabe uređaja, provjerite je li napon odgovara naponu koji je nastao u mrežnom naponu.
5. Nemojte prekrivati ventilacijske otvore uređaja, npr. papirom, tkaninama, zavjesama, itd. Uvjerite se da uređaj ima najmanje 20 cm slobodnog prostora, a na svakoj strani - najmanje 5 cm.
6. Nemojte dopustiti da na uređaj kapaju ili prolivaju tekućine, te nemojte stavljati posude s tekućinom, poput vaza.
7. Kako biste spriječili požar ili strujni udar, uređaj mora biti zaštićen od žarišta, kiše, vlage i prašine.
8. Ne postavljajte uređaj blizu izvora vode, npr. slavine, kade, bazena ili perlice rublja. Staviti uređaj na ravnu i stabilnu površinu.
9. Nemojte da uređaj izlažite jakim magnetskim poljima.
10. Nemojte da uređaj stavljajte izravno na pojačalu ili prijammiku.
11. Ne postavljajte uređaj na vlažnom mjestu, jer vlaga ima štetan učinak na električne komponente.
12. Dovodjenje uređaja iz hladnog u toplo vlažnom mjestu može uzrokovati kondenzaciju na leći unutar playera. U ovom slučaju, uređaj neće raditi ispravno. Uređaj se mora ostaviti uključen oko jedan sat kako bi se omogućilo isparavanje vlage.
13. Izbjegavajte korištenje kemijskih otapala, jer mogu oštetiti boju kućišta. Uređaj se obriše čistom, suhom ili vlažnom krpom.
14. Prilikom uklanjanja utikača iz zidne utičnice, uvijek povucite utikač, a ne kabel.
15. Kada uređaj se koristi u blizini uključenog televizora, ovo može biti izvor buke ili slike u obliku linije na zaslonu uređaja. Ovo ovisi o propusnosti emitiranja valova. To ne označava kvar uređaja ili televizora, ako vidite takve linije, pomaknite uređaj dalje od TV prijammika.
16. Mrežni utikač se upotrebljava za isključivanje napajanja zato mora biti uvijek na raspolaganju.
17. Da biste spriječili mogući gubitak sluha, ne slušajte glasno glazbu kroz duže vrijeme.



NAPOMENA



Izjava

Niže navedenim Blaupunkt Competence Center 2N-Everpol Sp. z o.o. izjavljuje da je ovaj proizvod u skladu sa zahtjevima i drugim relevantnim odredbama Direktive 2014/53/EU. Za potpunu Izjavu o sukladnosti posjetite stranicu www.blaupunkt.com na kartici proizvoda.

Odgovorni subjekt: 2N-Everpol Sp. Z o.o.

Puławska 403A, 02-801 Varšava, Poljska

Telefon: +48 22 688 08 00, e-mail: info@everpol.pl



Proizvod je izrađen od visokokvalitetnih materijala i dijelova koji se mogu reciklirati i ponovo upotrijebiti.



Ako se na vašem uređaju nalazi simbol prekrížene kante za smeće, to znači da je proizvod pokriven odredbama Europske direktive 2012/19/EU. Na temelju toga, slijedite lokalne propise i upoznajte se sa zahtjevima za vaš lokalni sustav prikupljanja električnog i elektroničkog otpada i, u slučaju ovog proizvoda, pridržavajte ih se.

NE ODLAGAJTE OVAJ PROIZVOD SA KUĆNIM OTPADOM!

OVAJ PROIZVOD SADRŽI OPASNE TVARI, SMJESE I KOMPONENTE KOJE, AKO SU NEDOVLAŠTENE, MOGU BITI IZVOR POTENCIJALNIH EFEKATA NA PRIRODNI OKOLIŠ I ZDRAVLJE LJUDI!

Ispravno zbrinjavanje iskorištenog proizvoda spriječit će negativne učinke na okoliš i ljudsko zdravlje.



Uređaj je opremljen sa baterijama obuhvaćenim Europskom direktivom 2006/66/EC. Baterije se ne smije odlagati zajedno s komunalnim otpadom. Molimo pogledajte lokalne propise o zasebnom prikupljanju baterija jer ispravnim odlaganjem spriječit ćete potencijalne negativne posljedice na okoliš i zdravlje ljudi.

Informacije o zaštiti okoliša

Paket uključuje samo nužne komponente. Svaki napor je napravljen da bit tri sastavni komponenti paketa lako odvojili: karton (kutija), polistirenska pjena (zaštita unutra) i polietilen (vrećica, zaštitna folija). Uređaj je izrađen od materijala koje se može reciklirati i ponovo upotrijebiti nakon demontaže od strane specijalizirane tvrtke. Poštujte lokalne propise o raspolaganju iskorištenih ambalažnih materijala, baterija i nepotrebne opreme.

Snimanje i reprodukcija materijala može zahtijevati pristanak. Vidi Zakon o autorskim pravima i prava izvođača/umjetnika.

Napomena o ERP2 (oprema koja se odnosi na energiju)

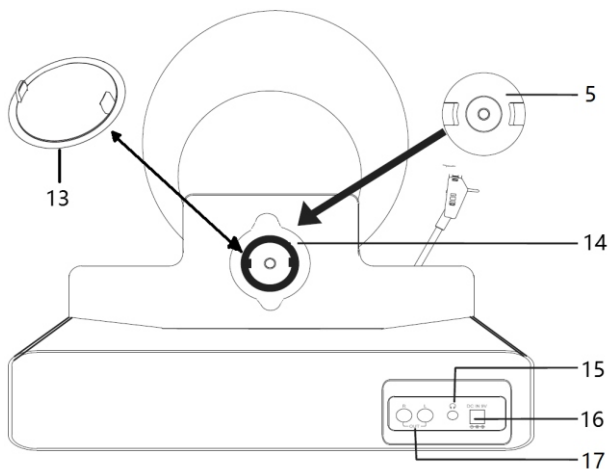
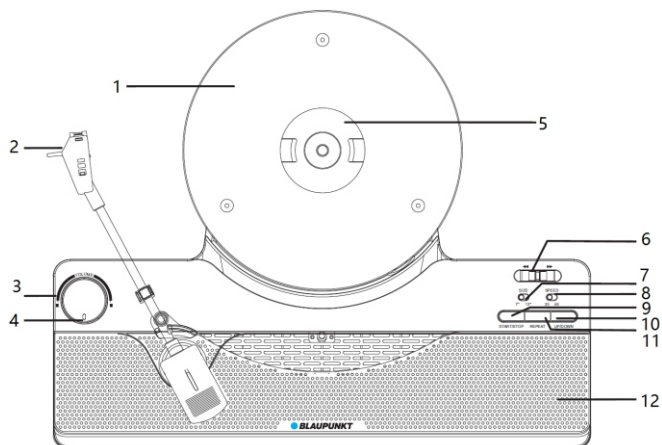
Ovaj ekodizajnirani uređaj zadovoljava zahtjeve 2. faze Uredbe Komisije (EZ) br. 1275/2008 kojom se provodi Direktivu 2009/125/EZ o potrošnji energije od strane isključenih i elektroničkih uređaja ili uređaja u modu čekanja za uredsku i kućnu uporabu.



Vlasnik zaštitnog znaka i logotipa Bluetooth® je tvrtka Bluetooth SIG, Inc. USA. Upotreba tih znakova i logotipa podliježe licenciji. Ostali zaštitni znakovi i trgovački nazivi su u vlasništvu određenih vlasnika.

The Bluetooth® wordmark and logos are registered trademarks owned by Bluetooth SIG, Inc. and any use of such marks by us is Hvala vam što ste odabrali naš model. Pažljivo pročitajte i shvatite ove upute prije uporabe uređaja. Molimo da sačuvate upute za buduću uporabu.

Lokacija kontrola



- 1- Tanjur gramofona 2- Uložak za gramofon s iglom
 3- Funkcijski regulator (uključivanje/isključivanje napajanja, odabir načina reprodukcije, kontrola glasnoće)
 4- Led indikator načina reprodukcije. (Bijela boja = način reprodukcije vinila; Treperi bijela boja = način reprodukcije vinila s prijenosom Bluetooth signala na vanjski uređaj, npr. vanjski aktivni zvučnici, Bluetooth slušalice itd.; Plava boja = Bluetooth način reprodukcije za vanjske uređaje – pametni telefon, tablet, računalo)
 5- Montažni prsten za pričvršćivanje vinilne ploče na tanjur gramofona
 6- Kontrolni prekidač za reprodukciju prema naprijed/natrag 7- Prekidač za odabir veličine ploče: 7" ili 12"
 8- Prekidač za odabir brzine reprodukcije (33 o/min ili 45 o/min)
 9- Tipka START/STOP za pokretanje i zaustavljanje reprodukcije vinila
 10- Tipka UP/DOWN za spužtanje i podizanje ručice gramofona. 11- Tipka za pokretanje funkcije REPEAT reprodukcije ploče
 12- Ugrađeni zvučnik 13- Prsten za centriranje ploče s velikim otvorom
 14- Držač za pohranu prstena za centriranje i pričvršćivanje ploče 15- Izlaz za slušalice 16- DC utičnica za napajanje
 17- RCA audio linijski izlaz

Prije prve uporabe gramofona, uklonite sigurnosnu žicu s kraka gramofona i nježno uklonite prozirni štitičnik igle (pogledajte sliku u nastavku). Priključite isporučeno AC/DC napajanje u kućnu AC utičnicu kako biste dobili izvor napajanja, priključite DC priključak napajanja u DC utičnicu na stražnjem panelu,

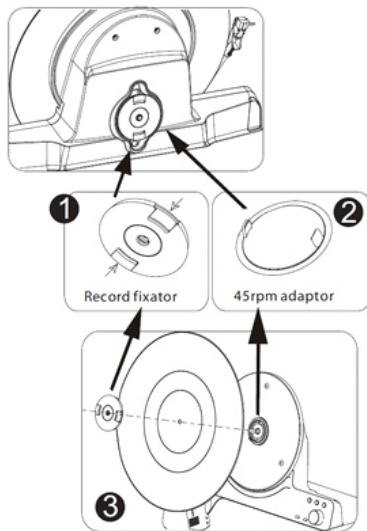


(Uklonite prozirni štitičnik igle)

Uključite/isključite/promijenite način reprodukcije/regulaciju glasnoće: pritisnite i zadržite funkcijski gumb 3 sekunde za uključenje/isključenje uređaja; kratko pritisnite gumb za promjenu načina reprodukcije između reprodukcije vinila/reprodukcije vinila putem Bluetooth OUT /Bluetooth reprodukcije (Bluetooth IN). Nakon promjene načina reprodukcije pojaviti će se odgovarajuća glasovna poruka koja obavještava o odabranom načinu. Okrenite regulator kako biste smanjili ili povećali izlaznu glasnoću.

Opće napomene o vinilnim pločama:

1. Prije nego što počnete reproducirati vinil, pokušajte ga očistiti od čestica prašine. Da biste to učinili, upotrijebite odgovarajuću četku, a u slučaju veće prljavštine upotrijebite posebnu tekućinu za čišćenje vinilnih ploča. Ovaj pribor nije uključen.
2. Prljavi i prašnjava vinil imaće veliki utjecaj na kvalitetu reproduciranog zvuka, što se može očitovati prisutnošću pukotina i manjih izobličenja.
3. U slučaju da je površina ploče neravna (česta pojava kod starijih ploča), to može uzrokovati ljučanje ploče tijekom reprodukcije i promjenu putanje zapisa, što će utjecati na kvalitetu zvuka. Imajte na umu da to nije nedostatak gramofona. Kako biste smanjili ovu pojavu, pokušajte pravilno postaviti ploču na tanjuru i dobro je učvrstite pomoću potpornog prstena.



Reprodukcija vinilnih ploča

Za reprodukciju ploče slijedite korake u nastavku.

1. Uključite uređaj, kratko pritisnite funkcijski gumb (3) za ulazak u način reprodukcije vinila. Led indikator za odabir načina rada (4) bit će bijeli i zvučna poruka "VINYL" će se emitirati iz zvučnika.
2. Pritisnite i držite lijevu i desnu tipku za zaključavanje montažnog prstena vinilne ploče kako biste ga uklonili iz držača na stražnjoj ploči gramofona
3. Pažljivo postavite vinilnu ploču na gramofon, a zatim je pričvrstite na ploču pomoću pričvrstnog prstena, pričvršćujući je na lopaticu koja strši iz središnjeg otvora ploče.
4. Pomoću tipaka na prednjoj ploči odaberite odgovarajuću veličinu ploče (7) i brzinu okretanja (8).
5. Kratko pritisnite tipku START/STOP za početak reprodukcije ploče. Krak gramofona automatski će se pomaknuti na rub ploče za početak reprodukcije prvog zapisa. Ponovno pritisnite ovu tipku za zaustavljanje reprodukcije i krak gramofona automatski će se vratiti u držač kraka.
6. Za pomicanje na prethodnu ili sljedeću pjesmu, pomaknite kontrolni prekidač za reprodukciju naprijed/natrag (6) u skladu s tim; za podizanje ili spuštanje krak gramofona pritisnite tipku UP/DOWN (10).
7. Kratko pritisnite tipku REPEAT (11) kako biste omogućili funkciju ponavljanja reprodukcije vinila. Led indikator (4) svijetli zeleno. Kad uređaj završi reprodukciju ploče, ruka će se automatski pomaknuti i početi reproducirati ploču od početka. Ponovno pritisnite tipku REPEAT (11) kako biste poništili funkciju ponavljanja.

Reprodukcija ploča s velikim središnjim otvorom (obično ploče od 45 brzine reprodukcije/min): Prilikom reprodukcije vinilne ploče s velikim središnjim otvorom, prvo postavite prsten za centriranje na udubljenje u ploči (u njezinom središnjem dijelu), koji se nalazi u držaču na stražnjoj ploči gramofona, zatim nanosite vinilnu ploču s velikim otvorom na nju i pričvrstite prsten za pričvršćivanje tako da kuke koje strše iz prstena za centriranje klize u rupe u unutarnjem dijelu prstena za pričvršćivanje. Za ovaj postupak pogledajte sljedeću sliku.

Reprodukcija vinilnih ploča s Bluetooth prijenosom signala na vanjski uređaj (Bluetooth OUT): Ovaj model ima funkciju Bluetooth OUT, koja omogućuje bežični prijenos audio signala tijekom reprodukcije vinilne ploče na vanjske uređaje kao što su aktivni Bluetooth zvučnici (npr. BLAUPUNKT BS60, BS50, BS40 ili drugi zvučnici na polici), Bluetooth slušalice i drugi zvučnici s Bluetooth IN modulom. Kako biste aktivirali funkciju prijenosa audio signala na vanjski Bluetooth uređaj, funkcijskim regulatorom (3) odaberite način reprodukcije vinilne ploče uz prijenos Bluetooth signala (led indikator načina reprodukcije trebao bi preterati bijelom bojom, što označava spremnost za uparivanje s vanjskim Bluetooth uređajem, a zvučna poruka – "VINYL STREAM" – emitirat će se iz zvučnika). Uključite vanjski Bluetooth uređaj i prebacite ga u način rada Bluetooth uparivanja (provjerite pojednosti u uputama za uporabu vanjskog uređaja), ovaj gramofon automatski će otkriti i povezati se s vanjskim Bluetooth uređajem. Nakon uspješnog uparivanja s vanjskim Bluetooth uređajem, led indikator će se stabilizirati i

zasvijetliti bijelom bojom, a zvučnik će emitirati zvučnu poruku – "CONNECTED". Zatim pritisnite tipku START/STOP (9) za pokretanje reprodukcije vinila i zvuk će se reproducirati pomoću vanjskog Bluetooth uređaja.

Napomene:

1. Imajte na umu da je u ovom načinu reprodukcije kontrola glasnoće dostupna na spojenom vanjskom uređaju, a ne na ovom gramofonu.
2. Optimalna radna udaljenost između ovog gramofona i vanjskog Bluetooth uređaja je 10 metara, bez prepreka između uređaja.

Bluetooth IN reprodukcija

Ovaj gramofon ima funkciju Bluetooth koja omogućava bežičnu reprodukciju glazbe s drugih Bluetooth uređaja (npr. pametnih telefona, tableta, televizora itd.) pomoću ugrađenih zvučnika.

1. Uključite uređaj i pritisnite funkcijski gumb (3) dok led indikator za odabir načina rada (4) ne počne treperiti plavo i iz zvučnika se ne oglasi zvučna poruka – "BLUETOOTH", koja označava da je uređaj spreman za uparivanje s vanjskim Bluetooth uređajem.
2. Uključite funkciju Bluetooth na vanjskom Bluetooth uređaju i potražite dostupne uređaje za uparivanje (provjerite upute za uporabu vanjskog uređaja), a zatim provjerite dostupni Bluetooth uređaj na popisu. Odaberite "BP VT100" za uparivanje, led indikator za odabir načina rada (4) ovog gramofona će svijetliti stalno nakon uspješnog uparivanja, a zvučna poruka će se emitirati iz zvučnika – "CONNECTED".
3. Odaberite i reproducirajte glazbu s vanjskog Bluetooth uređaja, podesite glasnoću u skladu s tim, a zatim će zvuk izaći iz ugrađenog zvučnika na ovom gramofonu.
4. U načinu reprodukcije Bluetootha upravljajte vanjskim Bluetooth uređajem.

Napomene:

- a. Nema jamstva da će se svi Bluetooth uređaji pravilno upariti zbog različitog dizajna i marke.
- b. Najbolja radna udaljenost Bluetootha je 10 metara bez prepreka između uređaja.
- c. Uređaj se može istovremeno upariti i raditi samo s jednim Bluetooth uređajem.
- d. U slučaju dolaznog poziva tijekom reprodukcije Bluetootha, glazba će se privremeno zaustaviti i nastaviti nakon završetka telefonskog razgovora.

RCA linijski izlaz

Gramofon ima jedan RCA linijski izlaz koji omogućuje žičanu vezu s vanjskim aktivnim zvučnikom ili pojačalom. Signal na linijskom izlazu dostupan je tijekom reprodukcije vinila i u Bluetooth režimu rada.

Pomoću RCA - RCA audio kabela (nije isporučen) spojite RCA linijski izlaz na gramofonu na RCA linijski ulaz na vanjskom uređaju; na vanjskom uređaju prebacite izvor na linijski ulaz i podesite razinu glasnoće; odaberite i reproducirajte glazbu na gramofonu, a zatim će se pojaviti zvuk i na ugrađenom zvučniku na gramofonu i na vanjskom uređaju.

Kako biste izbjegli preklapanje zvuka iz zvučnika ugrađenih u gramofon i vanjskih uređaja spojenih na RCA linijski izlaz, moguće je potpuno isključiti zvuk u zvučnicima na gramofonu pomoću funkcijske tipke (3). Signal na linijskom izlazu ima stalnu razinu i njegova se glasnoća može podesiti pomoću kontrole glasnoće na vanjskom uređaju.

Izlaz za slušalice: spojite žične slušalice na priključnicu za slušalice na stražnjoj ploči gramofona. Zvuk u ugrađenim zvučnicima će se isključiti i bit će dostupni samo u slušalicama. Podesite glasnoću slušalice pomoću funkcijske tipke (3).

Pomoću odgovarajućeg kabela, signal iz izlaza za slušalice može se unijeti i u AUX ulaz, npr. u mikro glazbenim linijama, aktivnim zvučnicima itd.

Kad koristite Bluetooth slušalice, predlažemo da ih spojite u režimu rada reprodukcije vinila s Bluetooth prijenosom signala na vanjski uređaj (Bluetooth OUT). Način povezivanja opisan je u prethodnom poglavlju ovih uputa.

Zamjena igle u umetku AT3600L

Igla može trajati oko 300 sati pri normalnoj uporabi. Preporučuje se zamijeniti iglu čim primijetite promjenu u kvaliteti zvuka.

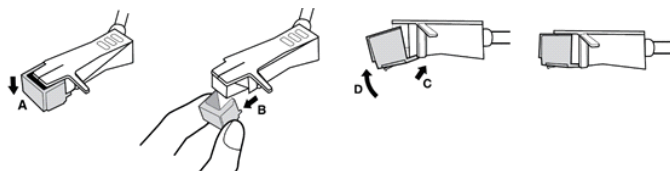
1. Uklanjanje igle iz obloge

- a. Nježno uhvatite bočne strane kućišta igle prstima i povucite ga prema dolje (kao na slici "A")
- b. Izvucite iglu kao što je prikazano na slici "B".

Napomene: Prilikom uklanjanja igle iz umetka, učinite to nježno. Upotreba prevelike sile može oštetiti umetak ili slomiti iglu.

2. Postavljanje nove igle u oblozi

- a. Držite kućište igle i umetnite ga u oblogu u smjeru prikazanom na slici "C".
- b. Pomaknite iglu prema gore kao što je prikazano na slici "D" dok se ne zaključa u oblogu.



Upozorenje:

1. Odspojite gramofon s napajanja prije zamjene igle. Nemojte uklanjati samu iglu iz kućišta ili je savijati.
2. Oštre rubove, ne dodirujte iglu kako biste izbjegli ozljede ruke. Proizvod držite izvan dohvata djece.



3. Preporučujemo da olovku zamijeni iskusni ili profesionalni serviser.

Rješavanje problema

1. Gramofon ne može se uključiti.
 - a. Provjerite je li priključak za napajanje ispravan.
2. Nema zvuka.
 - a. Pokušajte podesiti regulator glasnoće i provjeriti izvor reprodukcije.
 - b. Ako se problem nastavi, kontaktirajte servisnu službu.
3. Izobličenje zvuka.
 - a. Pokušajte reproducirati glazbu na nižoj glasnoći.
 - b. Pokušajte očistiti vinil i pokušajte ponovno.
4. Zvuk se prekida u Bluetooth režimu rada.
 - a. Probajte pomaknuti Bluetooth uređaj bliže gramofonu.
 - b. Pokušajte ponovno upariti gramofon s Bluetooth uređajem.

Specifikacija:

Izvor napajanja: DC IN, 9V/1,5A
Izlazna moć RMS: 2 x 5 W, THD10%
Verzija Bluetooth: V5.1
Domet rada Bluetooth: cca. 10 metara
Frekvencija prijenosa: 2.402~2.480GHz
Podržavani protokoli: A2DP/AVCTP/AVDTP/AVRCP/GAVDP/HFP/HID/OPP/RFCOMM/SPP
Odstupanje rotacije gramofona: aksijalno istjecanje <0,6 mm
Snaga pritiska obloge: 3.5g (+0.5g)
Umetnite model: AT3600L, marka Audio Technica
Potrošnja energije: 13,5 W
Potrošnja moći u režimu pripravnosti: < 0,5 W
(Napomena: Specifikacije proizvođača mogu se promijeniti bez prethodne obavijesti.)

INSTRUCȚIUNI IMPORTANTE REFERITOARE LA SIGURANȚĂ



Avertisment:

Pentru a diminua riscul de electrocutare, nu demontați capacul sau partea din spate a dispozitivului. În interiorul dispozitivului nu există elemente care să poată fi reparate de utilizator. De mentenanța și reparația echipamentului se ocupă exclusiv angajații calificați ai service-ului.

Explicarea simbolurilor grafice:



Simbolul fulgerului terminat cu o săgeată, plasat într-un triunghi echilateral, avertizează utilizatorul împotriva unei „tensiuni periculoase” neizolate în carcasa dispozitivului, care poate atinge dimensiunea pericolului de electrocutare.



Semnul exclamării într-un triunghi echilateral avertizează utilizatorul că în acest moment sunt prezentate informații importante referitoare la operarea și mentenanța echipamentului în documentația anexată la dispozitiv.

Rugăm să citiți aceste instrucțiuni înainte de a trece la operarea dispozitivului, să vă familiarizați cu funcțiile acestuia și să le folosiți conform destinației. Acest lucru va asigura o operare de lungă durată și fără avarii a dispozitivului, precum și plăcerea de a-l utiliza.

Informații importante

- Instrucțiunile de operare și informațiile referitoare la siguranță trebuie păstrate în scopul folosirii lor în viitor.
- Nu permiteți ca pe dispozitiv să picure sau să se verse vreun lichid.
- Nu îl folosiți în locuri umede, cum ar fi de ex. sala de baie.
- Dispozitivul nu poate fi montat în următoarele locuri:
- Expus la lumina directă a soarelui sau în apropierea caloriferelor.
- Plasat deasupra unui alt dispozitiv stereofonic care emite căldură.
- Blocând ventilația sau într-un loc prăfuit.
- În locuri expuse la vibrații constante.
- În locuri cu umiditate ridicată.
- Nu așezați dispozitivul în apropierea lumânărilor sau a focului deschis.
- Dispozitivul poate fi folosit exclusiv în modul descris în instrucțiunile de mai jos.
- Înainte de prima pornire, asigurați-vă că sursa de alimentare este conectată în mod corespunzător.
- Stick-urile USB se conectează direct sau folosind un prelungitor USB cu lungime de până la 25 cm.

Din motive de securitate, nu demontați carcasa, deoarece în interior nu există elemente ce ar putea fi reparate de utilizator. De mentenanța și repararea echipamentului se ocupă exclusiv angajații calificați ai service-ului.

Nu demontați și nu deschideți carcasa, deoarece în interior nu există elemente ce ar putea fi reparate de utilizator. De mentenanța și repararea echipamentului se ocupă exclusiv angajații calificați ai service-ului.

INSTRUCȚIUNI REFERITOARE LA SIGURANȚĂ

1. Citiți instrucțiunile – înainte de utilizarea dispozitivului, citiți în întregime instrucțiunile de utilizare, precum și informațiile referitoare la siguranță.
2. Urmați instrucțiunile – păstrați instrucțiunile de utilizare și operare în scopul folosirii lor în viitor.
3. Respectați avertismentele – procedați conform tuturor avertismentelor plasate pe dispozitiv, precum și conform instrucțiunilor de utilizare.
4. Urmați instrucțiunile – procedați conform instrucțiunilor de operare și indicațiilor pentru utilizator.
5. Instalare – setați dispozitivul conform instrucțiunilor producătorului.
6. Surse de alimentare – dispozitivul trebuie alimentat exclusiv de la surse cu parametrii indicați în marjele de pe cablu de alimentare. Dacă utilizatorul nu este sigur de tipul de alimentare de care dispune acasă, trebuie să contacteze vânzătorul dispozitivului sau furnizorul local de energie electrică.
7. Impănăntarea sau polarizarea alimentării – dispozitivul nu trebuie să fie împănântat. Trebuie să vă asigurați că ștecherul este introdus complet în priză sau în prelungitor pentru a nu permite expunerea bolțurilor sau a contactelor. Unele versiuni ale dispozitivului pot fi echipate cu ștecher polarizat de curent alternativ (cu un singur bolț mai larg). Acest ștecher poate fi introdus în priză de rețea doar într-un singur mod. Aceasta este o funcție de protecție. Dacă ștecherul nu poate fi introdus în priză, trebuie încercată rotirea acestuia. Dacă ștecherul în continuare nu se potrivește la priză, trebuie solicitată înlocuirea acestui ștecher de către un electrician. Nu scoateți elementele de protecție din ștecherul polarizat. Când utilizați un prelungitor sau un cablu de alimentare altul decât cel furnizat împreună cu dispozitivul, acestea trebuie să aibă ștecherule corespunzătoare, precum și atestatul de securitate necesar în țara dată.
8. Protecția cablului de alimentare – cablurile de alimentare trebuie plasate astfel încât să nu poată fi călcate, presate sau tăiate de obiectele din jur. Acordați o atenție deosebită ștecherelor, prizelor de rețea și locurilor în care cablurile sunt direcționate de la dispozitiv.
9. Supraîncărcare – Nu supraîncărcați prizele de perete, prelungitoarele și repartitoarele electrice, deoarece acest lucru poate provoca incendii sau electrocutări.
10. Ventilație – dispozitivul trebuie să fie corect ventilat. Dispozitivul nu poate fi pus pe pat, sofa sau suprafețe similare. Nu acoperiți dispozitivul cu fețe de masă, șervețele, ziare, ș.a..
11. Căldură – nu plasați dispozitivul în apropierea unor surse de căldură, precum calorifere, radiatoare, sobe sau alte dispozitive (de asemenea amplificatoare) care generează căldură. Nu puneți pe dispozitiv lumânări aprinse și alte surse de foc deschis.

12. Apă și umezeală – pentru a reduce riscul de incendiu sau electrocutare, nu expuneți dispozitivul la ploaie, apă și umiditate directă, ca de ex. în saună sau baie. Nu folosiți dispozitivul în apropierea apei, de exemplu lângă cadă, lavoar, chiuveta de bucătărie, într-o pivniță umedă sau în apropierea unei piscine (sau în locuri similare).
13. Obiecte și lichide în dispozitiv – nu trebuie forțate niciun fel de obiecte prin deschiderile dispozitivului, deoarece acestea pot să intre în contact cu punctele de tensiune periculoasă și cu componentele, ceea ce poate provoca incendiu sau electrocutare. În niciun caz nu vărsați niciun fel de lichide pe suprafața dispozitivului. Nu puneți pe suprafața dispozitivului obiecte ce conțin lichide.
14. Curățarea – scoateți întotdeauna dispozitivul din priză înaintea de curățare. Praful din jurul difuzorului poate fi îndepărtat cu o cârpă uscată. Dacă se utilizează un aerosol pentru curățare, nu îndreptați jetul de pulverizare direct spre dispozitiv, ci spre cârpă. Aveți grijă să nu deteriorați unitățile de comandă.
15. Echipare suplimentară – nu folosiți accesorii care nu sunt aprobate de producător, deoarece pot constitui un pericol.
16. Accesorii – nu așezați dispozitivul pe un cărucior, postament, stativ, suport sau masă instabile. Dispozitivul se poate răsturna sau deteriora și poate provoca vătămări grave copiilor sau persoanelor adulte. Folosiți numai cărucioare, postamente, stativ, suporturi și mese specificate de producător sau vândute împreună cu dispozitivul. Montarea dispozitivului trebuie efectuată în conformitate cu instrucțiunile producătorului, folosind setul de montaj recomandat de producător.
17. Mutarea dispozitivului – dispozitivul plasat pe cărucior trebuie deplasat cu multă grijă. Oprirea bruscă, forța prea mare sau suprafețele neuniforme pot provoca răsturnarea căruciorului împreună cu dispozitivul.
18. Perioada de nefolosire a dispozitivului – cablul de alimentare al dispozitivului trebuie deconectat de la priză de rețea în timpul furtunilor cu descărcări atmosferice sau când dispozitivul nu va fi folosit pentru o perioadă mai lungă de timp.
19. Servisare – nu încercați să serviți singur dispozitivul. Deschiderea capacului poate duce la contactul cu o tensiune periculoasă și poate expune utilizatorul la alte pericole. De mentenanță și repararea echipamentului se ocupă exclusiv angajații calificați ai service-ului.
20. Când dispozitivul nu este utilizat, ștecherul de alimentare trebuie deconectat de la priză de rețea. Când dispozitivul este conectat la sursa de alimentare, se află în regim de stand by și nu este complet închis.
21. Piese de schimb – la înlocuirea pieselor, trebuie verificat dacă angajatul service-ului a folosit piesele de schimb recomandate de producător sau dacă aceste piese sunt identice cu cele originale. Înlocuirea cu piese neaprobate poate duce la incendii, electrocutare sau alte pericole.
22. Siguranțele principale – pentru a proteja în mod continuu dispozitivul împotriva incendiului, trebuie folosite siguranțe de tip și parametri corecți. Parametrii siguranțelor în acest interval sunt marcați pe dispozitiv.
23. Nu măriți volumul când ascultați o parte dintr-un cântec înregistrat cu volum redus sau în cazul lipsei semnalului audio de început. În caz contrar se poate ajunge la deteriorarea difuzorului în momentul creșterii rapide a intensității semnalului.
24. Singurul mod de a deconecta complet dispozitivul de la sursa de alimentare este deconectarea cablului de alimentare din priză de alimentare sau din dispozitiv. Priza de rețea sau intrarea cablului de alimentare în dispozitiv trebuie să fie mereu accesibile în timpul utilizării produsului.
25. Dispozitivul trebuie amplasat în apropierea unei prize de perete sau a unui cablu prelungitor și astfel încât să fie mereu accesibil.
26. Temperatura maximă ambiantă pentru dispozitiv este de 35°C.
27. Instrucțiuni referitoare la descărcările electrostatice – dacă funcționarea dispozitivului este perturbată de descărcări electrostatice, acesta trebuie oprit și repornit sau mutat în alt loc.
28. Bateria
 - a. Bateriile nu pot fi expuse la căldură excesivă, cum ar fi razele de soare, foc, ș.a.
 - b. Când aruncați bateriile, acordați atenție aspectelor legate de protecția mediului.
 - c. Avertisment referitor la folosirea bateriei: pentru a nu permite pierderea etanșeității bateriei, ceea ce poate provoca vătămări corporale sau deteriorarea a dispozitivului:
 - În timpul introducerii bateriei, respectați polaritatea acesteia (+ și -).
 - Nu folosiți în același timp baterii diferite — vechi și noi, baterii standard și alcaline, ș.a.
 - Scoateți bateriile din dispozitiv, atunci când acesta nu este folosit pentru o perioadă mai lungă.

ATENȚIE

Dispozitivul nu trebuie folosit de persoanele (inclusiv copiii) cu capacități fizice, senzoriale sau mentale reduse, precum și de persoanele cu cunoștințe și experiență insuficiente, în cazul în care nu se află sub supravegherea unei persoane responsabile pentru siguranța lor și nu au fost instruite cum să folosească dispozitivul în condiții de siguranță. Prezența persoanelor adulte este necesară, dacă dispozitivul este folosit de copii; aceasta va permite o folosire în condiții de siguranță a dispozitivului.

1. Nu lăsați dispozitivul nesupravegheat în timpul funcționării! Dispozitivul trebuie închis când nu este folosit, chiar și pentru o perioadă scurtă de timp.
2. Dispozitivul nu poate fi folosit prin intermediul unui temporizator extern și nici cu ajutorul unui sistem separat cu comandă de la distanță.
3. Pentru evitarea pericolului în cazul deteriorării cablului de alimentare, înlocuirea trebuie efectuată de producător, de punctul autorizat de service sau de o altă persoană calificată în acest sens.
4. Înainte de a începe deservirea dispozitivului, trebuie verificat dacă tensiunea acestuia corespunde tensiunii din rețeaua locală de alimentare.
5. Nu acoperiți orificiile de ventilație ale dispozitivului cu ziare, fețe de masă, draperii, ș.a. Trebuie să vă asigurați că deasupra dispozitivului există cel puțin 20 cm de spațiu liber, iar pe fiecare parte a acestuia – cel puțin 5 cm.
6. Nu permiteți ca pe dispozitiv să picure sau să se verse vreun lichid, nu plasați pe acesta obiecte pline cu lichid, cum ar fi vasele.
7. Pentru a evita incendiile sau electrocutarea, dispozitivul trebuie protejat împotriva locurilor fierbinți, ploii, umezelii și prafului.
8. Nu așezați dispozitivul în apropierea oricărei surse de apă, de ex. robinete, căzi, mașini de spălat sau piscine. Dispozitivul trebuie plasat pe o suprafață dreaptă și stabilă.
9. Nu expuneți dispozitivul la câmpuri magnetice puternice.

10. Nu așezați dispozitivul direct pe amplificator sau amplituner.
11. Nu așezați dispozitivul într-un loc umed, deoarece umiditatea are efect dăunător asupra componentelor electrice.
12. După mutarea dispozitivului dintr-un loc rece către un loc cald sau un loc umed, se poate forma condens pe lentila din interiorul playerului. În această situație dispozitivul nu va funcționa corect. Lăsați dispozitivul să funcționeze aproximativ o oră pentru a permite evaporarea umidității.
13. Nu curățați dispozitivul cu solvenți chimici, deoarece aceștia pot distruge lacul carcasi. Dispozitivul se curăță cu o cârpă curată, uscată sau ușor umezită.
14. Când scoateți ștecherul din priză, trageți întotdeauna de ștecher, niciodată de cablul de alimentare.
15. Când dispozitivul pornit este folosit în apropierea televizorului care funcționează, acesta poate fi o sursă de interferență în imagine, sub forma de linii pe ecran. Aceasta depinde de benzile de unde ale transmisiei tv. Aceasta nu înseamnă o funcționare defectuoasă a dispozitivului sau televizorului. Dacă astfel de linii sunt vizibile, dispozitivul trebuie îndepărtat de televizor.
16. Ștecherul de rețea este folosit pentru deconectarea de la tensiunea de alimentare și trebuie să fie mereu accesibil.
17. Pentru a preveni eventuala pierdere de auz, nu ascultați muzică la volum ridicat pentru perioade lungi de timp.



ATENȚIE



Declarație

Prin prezenta Blaupunkt Competence Center 2N-Everpol Sp. z o.o. [SRL] declara că acest dispozitiv este în conformitate cu cerințele și alte dispoziții corespunzătoare ale directivei 2014/53 / UE. Declarația completă de conformitate poate fi obținută pe pagina www.blaupunkt.com în secția produsului.

Entitate responsabilă: 2N-Everpol Sp. Z o.o.
Puławska 403A, 02-801 Varșovia, Polonia
Telefon: +48 22 688 08 00,, e-mail: info@everpol.pl



Produsul a fost realizat din materiale și componente de înaltă calitate, ce pot fi reciclate și reutilizate.



Dacă pe dispozitiv există un semn de gunoi tăiat cu roți, înseamnă că produsul este acoperit de prevederile Directivei Europene 2012/19/UE. Pe baza acestui lucru, vă rugăm să respectați reglementările locale și să vă familiarizați cu cerințele pentru sistemul dvs. local de colectare a deșeurilor electrice și electronice și, în cazul acestui produs, să le respectați.

NU ARUNCAȚI ACEST PRODUS CU DEȘEURUL MENAJAR!

ACEST PRODUS CONȚINE SUBSTANȚE, AMESTECURI ȘI COMPONENTE PERICULOASE CARE, DACĂ NEAUTORIZATE, POT FI O SURSA DE EFECȚE POTENȚIALE ASUPRA MEDIULUI NATURAL ȘI A SĂNĂȚĂȚII UMANE!

Eliminarea corectă a produsului folosit va preveni efectele negative asupra mediului și sănătății umane.



Dispozitivul este echipat cu baterii care fac obiectul directivei europene 2006/66/EC. Bateriile nu pot fi aruncate împreună cu deșeurile menajere. Consultați reglementările locale privind colectarea separată a bateriilor, deoarece eliminarea corectă va împiedica potențialele consecințe negative pentru mediul natural și sănătatea umană.

Informații privind protecția mediului înconjurător

Ambalajul conține doar elementele necesare. S-au făcut toate eforturile ca cele trei materiale componente ale ambalajului să fie ușor de separat: cutia de carton (cutia), spuma de polistiren (protecție interioară) și polietilena (pungi, folie protectoare). Dispozitivul a fost produs din materiale ce pot fi reciclate și reutilizate după demontarea lor de către o firmă specializată. Trebuie respectate reglementările locale referitoare la eliminarea materialelor de ambalare, bateriilor folosite și a echipamentelor inutile.

Înregistrarea și redarea materialelor poate necesita obținerea unei autorizații. Consultați legea referitoare la drepturile de autor și drepturile execuțanților / artiștilor.

Remarcă referitoare la ERP2 (dispozitive legate de energie)

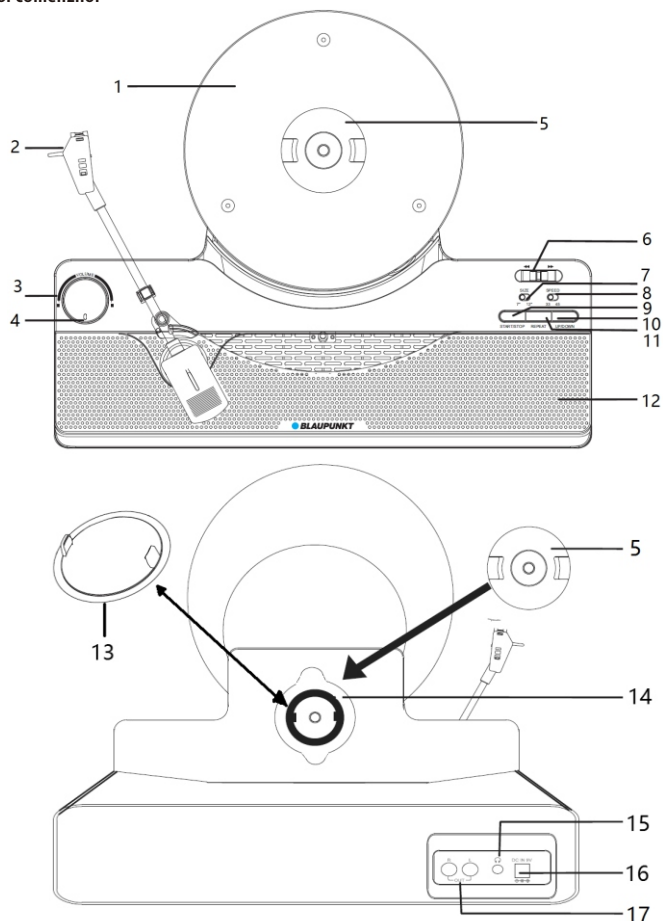
Prezentul dispozitiv cu ecoproiect îndeplinește cerințele etapei 2 din Regulamentul Comisiei (CE) nr 1275/2008 care introduce directiva 2009/125/CE referitoare la consumul de energie al dispozitivelor electronice de birou și de uz casnic, închise sau aflate în regim de stand by.



Proprietarul mărcilor comerciale și siglei Bluetooth® este compania Bluetooth SIG, Inc. USA. Folosirea acestor mărci și sigle este supusă unei licențe. Alte mărci și denumiri comerciale aparțin respectivilor proprietari.

Vă mulțumim foarte mult pentru că ați ales modelul nostru de produs. Vă rugăm să citiți și să vă familiarizați cu acest manual cu atenție înainte de a utiliza dispozitivul. Vă rugăm să păstrați aceste instrucțiuni pentru referințe viitoare.

Locația tuturor comenzilor



- | | |
|---|--|
| 1- Platoul turnant | 2- Un cartuș de fonograf cu un ac de citire |
| 3- Selector de funcții (pornire/oprire, selectarea modului de redare, controlul volumului) | |
| 4- Indicator LED mod de redare. (Culoare albă = modul de redare a înregistrărilor de vinil; Culoare albă intermitentă = modul de redare a înregistrărilor de vinil cu transmitere a semnalului Bluetooth către un dispozitiv extern, de exemplu, difuzoare active externe, căști Bluetooth etc.; Culoare albastră = modul de redare Bluetooth pentru dispozitive externe - smartphone, tabletă, PC) | |
| 5- Inel de fixare pentru atașarea unui disc de vinil la placa turnantă | 6- Comutator de control al redării înainte/înapoi |
| 7- Comutați pentru a selecta dimensiunea plăcii: 7" sau 12" | 8- Comutator selector al vitezei de redare (33 rpm sau 45 rpm) |
| 9- Buton START/STOP pentru a porni și opri redarea unei discuri de vinil | |
| 10- Buton UP/DOWN pentru a coborî și ridica brațul plăcii rotative | |
| 11- Buton pentru a porni funcția de repetare a discului REPEAT | 12- Difuzor încorporat |
| 13- Inel de centrare a plăcii cu orificiu mare | 14- Un suport pentru depozitarea inelului de centrare și montare al plăcii |
| 15- Leșire pentru căști | 16- priză DC |
| | 17- Leșire linie audio RCA |

Înainte de a utiliza placa turnantă pentru prima dată, scoateți cablul de protecție de pe brațul platanului și îndepărtați cu grijă capacul de protecție transparent al stiloului (vezi figura de mai jos). Conectați adaptorul de alimentare AC/DC furnizat la priza de curent alternativ pentru a obține o sursă de alimentare, conectați conectorul DC al sursei de alimentare la mufa de alimentare DC de pe panoul din spate,

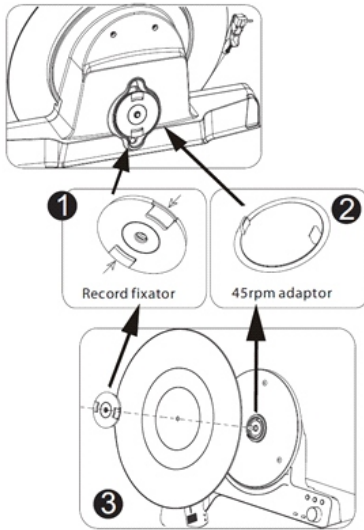


(Vă rugăm să scoateți capacul de protecție transparent al acului)

Porniți/opriți platoul/comutați modul de redare/reglați volumul: apăsați și mențineți apăsat butonul de funcție timp de 3 secunde pentru a porni/opri dispozitivul; apăsați butonul scurt pentru a comuta modul de redare între redarea vinilului/transmisia semnalului de redare înregistrări vinil prin Bluetooth OUT/redare Bluetooth (Bluetooth IN). După comutarea modului de redare, va apărea o solicitare vocală adecvată care vă va informa despre modul selectat. Rotiți butonul pentru a reduce sau a crește volumul de ieșire.

Note generale privind discurile de vinil:

1. Înainte de a începe să redați un disc de vinil, încercați să îl curățați bine de praful sau particulele de praf de pe el. Pentru a face acest lucru, folosește o perie adecvată, iar în caz de murdărie mai mare, folosește un lichid special pentru curățarea discurilor de vinil. Aceste accesorii nu sunt incluse ca parte a kit-ului.
2. Un disc murdar și prăfuit va avea un impact major asupra calității sunetului produs, ceea ce poate duce la trosnituri și distorsiuni minore.
3. Dacă suprafața înregistrării este neuniformă (obișnuită cu înregistrările mai vechi), acest lucru poate face ca înregistrarea să se balanseze în timpul redării și să provoace modificarea piesei, afectând calitatea sunetului. Vă rugăm să rețineți că acesta nu este un defect al acestei plăci rotative. Pentru a minimiza acest fenomen, încercați să aranjați corect discul pe platou și să îl fixați bine folosind inelul de montare.



Redare discuri de vinil

Pentru a reda un disc, urmați pașii de mai jos.

1. Porniți dispozitivul, apăsați scurt butonul de funcție (3) pentru a comuta în modul de redare a vinilului. Indicatorul LED de selectare a modului (4) va lumina alb și mesajul audio „VINYL” va fi auzit de la difuzor.
2. Apăsați și mențineți apăsat butoanele de blocare din stânga și din dreapta de pe inelul de vinil al platoului pentru a-l scoate din suportul de pe panoul din spate al plăcii turnante.
3. Așezați cu atenție discul de vinil pe placa turnantă, apoi atașați-l la platan folosind inelul de reținere, fixându-l pe știftul care iese din orificiul central al discului.
4. Utilizați butoanele de pe panoul frontal pentru a selecta dimensiunea corespunzătoare a plăcii (7) și viteza de rotație (8).
5. Apăsați scurt butonul START/STOP pentru a începe redarea discului. Brațul se va muta automat la marginea înregistrării pentru a începe redarea primei piese. Apăsați din nou acest buton pentru a opri redarea și brațul se va întoarce automat în suportul din spate.
6. Pentru a trece la piesa anterioară sau următoare, glisați comutatorul de control al redării înainte/înapoi (6); Pentru a ridica sau a coborî brațul plăcii rotative, apăsați butonul UP/DOWN (10).
7. Apăsați scurt butonul REPEAT (11) pentru a activa funcția de repetare a vinilului. Indicatorul LED (4) se va aprinde în verde. Când unitatea termină de redat discul, brațul se va mișca automat și va începe redarea discului de la început. Apăsați din nou butonul REPEAT (11) pentru a anula funcția de repetare.

Redarea înregistrărilor cu o gaură centrală mare (de obicei înregistrări cu o viteză de redare de 45 rpm): Când redați un disc de vinil cu o gaură centrală mare, așezați mai întâi inelul de centrare situat în suportul de pe panoul din spate al platanului pe locașul platoului (în partea centrală), apoi așezați discul de vinil cu o gaură mare. Pe el și atașați suportul inelului astfel încât cârligele care ies din inelul de centrare să alunece în orificiile din partea interioară a inelului de montare. Consultați figura de mai jos pentru această operațiune.

Redarea înregistrărilor de vinil cu transmisie de semnal Bluetooth către un dispozitiv extern (Bluetooth OUT): Acest model are o funcție Bluetooth OUT, care permite transmiterea fără fir a semnalului audio în timpul redării unei discuri de vinil către dispozitive externe, cum ar fi difuzoare active Bluetooth (de exemplu, BLAUPUNKT BS60, BS50, BS40 sau alte difuzoare de raft), căști Bluetooth și alte difuzoare cu Bluetooth. Pentru a activa funcția de transmitere a semnalului audio către un dispozitiv Bluetooth extern, utilizați butonul de funcție (3) pentru a selecta modul de redare a înregistrărilor de vinil cu transmisie de semnal Bluetooth (indicatorul LED al modului de redare ar trebui să clipească alb, ceea ce înseamnă că este gata de asociere cu dispozitiv extern Bluetooth, iar apoi difuzorul va emite un mesaj sonor „VINYL STREAM”). Porniți dispozitivul extern Bluetooth și comutați-l în modul de asociere Bluetooth (verificați detaliile în manualul de utilizare al dispozitivului

extern), această platană va detecta și se va conecta automat la dispozitivul extern Bluetooth. După asocierea cu succes cu dispozitivul Bluetooth extern, indicatorul LED se va stabiliza și va străluci în alb, iar din difuzor va fi emis un mesaj audio - „CONECTAT”. Apoi apăsați butonul START/STOP (9) pentru a începe redarea discului de vinil și sunetul va fi redat prin intermediul dispozitivului Bluetooth extern.

Comentarii:

1. Vă rugăm să rețineți că în acest mod de redare, controlul volumului este disponibil pe dispozitivul extern conectat și nu pe această platană.
2. Distanța optimă de funcționare dintre această platană și un dispozitiv extern Bluetooth este de 10 metri, fără obstacole între dispozitive.

Redare Bluetooth IN

Această platană are o funcție Bluetooth care vă permite să redați fără fir muzică de pe alte dispozitive Bluetooth (de exemplu, smartphone-uri, tablete, televizoare etc.) folosind difuzoarele încorporate.

1. Porniți dispozitivul și apăsați butonul de funcție (3) până când indicatorul LED de mod (4) clipește în albastru și difuzorul emite un mesaj audio - „BLUETOOTH”, ceea ce înseamnă că dispozitivul este gata de asociere cu un dispozitiv Bluetooth extern.
2. Activați funcția Bluetooth pe dispozitivul Bluetooth extern și căutați dispozitivele disponibile pentru asociere (consultați manualul de utilizare al dispozitivului extern), apoi verificați dispozitivul Bluetooth disponibil în listă. Selectați „BPVT100” pentru împerechere, indicatorul LED de selecție a modului (4) al acestei plăci rotative se va aprinde în mod constant după asocierea cu succes, iar mesajul audio „CONNECTED” va fi emis din difuzorul său.
3. Selectați și redați muzică de pe un dispozitiv Bluetooth extern, reglați volumul în mod corespunzător și apoi sunetul va ieși din difuzorul încorporat al acestui turnan.
4. În modul de redare Bluetooth, vă rugăm să utilizați un dispozitiv Bluetooth extern pentru control.

Comentarii:

- a. Nu toate dispozitivele Bluetooth sunt garantate să se împerecheze în mod corespunzător din cauza diferitelor modele și mărci.
- b. Cea mai bună distanță de lucru Bluetooth este de 10 metri fără obstacole între dispozitive.
- c. Dispozitivul se poate împerechea și poate funcționa numai cu un dispozitiv Bluetooth la un moment dat.
- d. În cazul unui apel primit în timpul redării prin Bluetooth, muzica va fi temporar întreruptă și reluată când apelul telefonic se termină.

Ieșire linie RCA

Placa turnantă are o ieșire de linie RCA, care permite o conexiune prin cablu la un difuzor sau amplificator activ extern.

Semnalul de la ieșirea de linie este disponibil la redarea unei discuri de vinil și în modul Bluetooth.

Folosind un cablu audio RCA la RCA (nu este inclus), conectați ieșirea de linie RCA de pe placa turnantă la intrarea de linie RCA de pe dispozitivul extern; Pe dispozitivul extern, comutați sursa în modul line-in și reglați nivelul volumului; selectați și redați muzică pe platană, apoi sunetul va apărea atât pe difuzorul încorporat al plăcii, cât și pe dispozitivul extern.

Pentru a evita suprapunerea sunetului de la difuzoarele încorporate ale platanului și dispozitivele externe conectate la ieșirea de linie RCA, este posibil să dezactivați complet sunetul de la difuzoarele platanului folosind butonul de funcție (3). Semnalul ieșirea de linie are un nivel constant și volumul acestuia poate fi reglat folosind controlul de volum de pe dispozitivul extern.

Ieșire pentru căști: Conectați-vă căștile cu fir la mufa pentru căști de pe panoul din spate al platanului. Sunetul de la difuzoarele încorporate va fi dezactivat și va fi disponibil numai prin căști. Reglați volumul căștilor folosind butonul de funcție (3).

Folosind un cablu adecvat, semnalul de la ieșirea căștilor poate fi transmis și la intrarea AUX, de exemplu într-un microsistem, difuzoare active etc.

Dacă utilizați căști Bluetooth, vă sugerăm să le conectați în modul de redare vinil cu transmisie de semnal Bluetooth la un dispozitiv extern (Bluetooth OUT). Metoda de conectare este descrisă în capitolul anterior al acestui manual.

Înlocuirea acului în cartușul modelului AT3600L

Acul poate dura aproximativ 300 de ore în condiții normale de utilizare. Este recomandat să înlocuiți stylus-ul imediat ce observați o schimbare a calității sunetului.

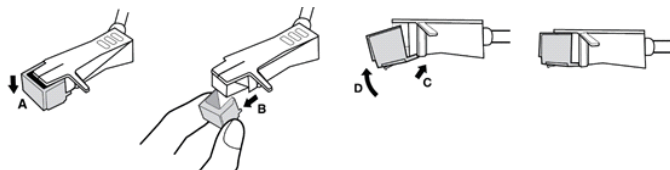
1. Scoaterea acului din cartus

- a. Prindeți ușor părțile laterale ale carcasa acului cu degetele și glisați-l în jos (așa cum se arată în „A”)
- b. Scoateți acul așa cum se arată în imaginea „B”.

Atenție: Când scoateți acul din cartus, faceți acest lucru cu grijă. Folosirea prea multă forță poate deteriora cartușul sau poate sparge acul.

2. Instalarea unui ac nou în cartus

- a. Țineți carcasa stiloului și introduceți-o în cartus în direcția indicată în figura „C”.
- b. Mutați acul în sus așa cum se arată în imaginea „D” până când se blochează în insert.



Avertizare:

1. Înainte de a înlocui stiloul, deconectați placa turnantă de la sursa de alimentare. Nu scoateți stylus-ul propriu-zis din carcasă și nu îl îndoiți.

2. Margini ascuțite, nu atingeți acul pentru a nu vă răni mâna. A nu se lăsa la îndemâna copiilor.



3. Vă recomandăm să înlocuiți stiloul de către un tehnician de service cu experiență sau profesionist.

Depanare

1. Placa turnantă nu se poate porni.

a. Verificați dacă conexiunea de alimentare este corectă.

2. Nici un sunet.

a. Încecați să reglați butonul de volum și verificați sursa de redare.

b. Contactați centrul de service pentru asistență dacă problema persistă.

3. Distorsiunea sunetului.

a. Încecați să redați muzică la un volum mai mic.

b. Încecați să curățați vinilul și încercați din nou.

4. Audio este întrerupt în modul Bluetooth.

a. Încecați să mutați dispozitivul Bluetooth mai aproape de placa turnantă.

b. Încecați să asociați din nou placa turnantă cu dispozitivul dvs. Bluetooth.

Caietul de sarcini

Sursa de alimentare: DC IN, 9V/1.5A

Putere de ieșire RMS: 2 x 5W, THD10%

Versiunea Bluetooth: V5.1

Raza de operare a modului Bluetooth: aproximativ 10 metri

Frecvența de transmisie: 2.402~2.480GHz

Protocoale acceptate: A2DP/AVCTP/AVDTP/AVRCP/GAVDP/HFP/HID/OPP/RFCOMM/SPP

Deviația de rotație a plăcii turnante: curățare axială <0,6 mm

Forța de presiune a inserției: 3,5 g (+/0,5 g)

Model cartus: AT3600L, marca Audio Technica

Consum de energie: 13,5 W

Consum de energie în modul standby: <0,5 W

(Note: specificațiile produsului pot fi modificate fără notificare prealabilă.)

ВАЖНИ ИНСТРУКЦИИ ЗА БЕЗОПАСНОСТ**ОПАСНОСТ ОТ ТОКОВ**УДАР
НЕ ОТВАРЯЙ**Внимание:**

За да се намали рискът от токов удар, не се разрешава демонтиране на капака, дори и на задната част на устройството. В самото устройство няма елементи, предназначени за самостоятелно ремонтване от потребителите. С обслужване и ремонтване на оборудването се занимават единствено квалифицирани служители на сервиса.

Обяснение на графичните символи:

Светкавица, завършваща със стрелка, в равностранен триъгълник предупреждава потребителя за неизолотирано, „опасно“ напрежение около устройството, което напрежение може да има размери, заплашващи с токов удар.



Удивителният знак в равностранен триъгълник предупреждава потребителя, че в този момент в документацията, прикачена към устройството, се предоставя важна информация за обслужването и запазването на оборудването.

Моля, прочетете тази инструкция, преди да пристъпите към обслужване на устройството, за да се запознаете с неговите функции и да го използвате съгласно неговото предназначение. Това ще Ви осигури дълготрайно, безаварийно обслужване на устройството и удоволствие от използването му.

Важна информация

- Запазете инструкцията за ползване, както и информацията за безопасност, с цел използване в бъдеще.
- Да не се допуска прокапване или протичане на течност върху устройството.
- Също да не се използва на влажни места като например в баня.
- Да не се инсталира това устройство на следните места:
- Изложени на непосредствено действие на слънчеви лъчи или близо до радиатори.
- Да не се поставя на повърхността на друго стереофонично оборудване, което отделя топлина.
- Ако ще блокира вентилация или в прашно помещение.
- На места, изложени на постоянна вибрация.
- На места с висока влажност.
- Да не се поставя устройството близо до свещи или открит огън.
- Устройството може да се използва единствено по начина, описан в настоящата инструкция.
- Преди първото включване на захранването трябва да се уверите, че зарядното устройство е включено правилно.
- USB паметта се свързва непосредствено или с помощта на USB кабел с дължина до 25 см.

От съображения за сигурност да не се демонтират конструкциите, както и да не се осигурява достъп до вътрешността на устройството. Забранено е отварянето на устройството, както и отварянето на неговата конструкция, тъй като вътре няма части, които биха могли да бъдат поправени от потребителя. С обслужването и поправката на оборудването се занимават единствено квалифицирани служители на сервиса.

ИНСТРУКЦИИ ЗА БЕЗОПАСНОСТ

1. Прочетете инструкцията – преди употреба прочетете цялата инструкция за обслужване, както и информацията за безопасност.
2. Запазете инструкцията – запазете инструкцията за употреба и обслужване с цел по-нататъшно използване.
3. Спазвайте предупрежденията – постъпвайте съгласно с всички предупреждения, поместени на устройството и съгласно с инструкцията за употреба.
4. Спазвайте инструкциите – постъпвайте съгласно с инструкцията за употреба и насоките за потребителя.
5. Инсталация - настройвайте устройството в съответствие с инструкциите на производителя.
6. Източници на захранване - захранвайте устройството само от източници с параметри, посочени на захранващия кабел. Ако не сте сигурни каква енергия имате въкъси, трябва да се свържете с продавача на устройството или местния доставчик на електрическа енергия.
7. Заземяване или поляризация на захранването – устройството не трябва да бъде заземявано. Уверете се, че щепселът е изцяло пъхнат в електрическата мрежа или удължителния кабел, за да не се откриват щифтовете или контактите. Някои версии на устройството могат да бъдат оборудвани с поляризиран адаптер за променлив ток (с по-широк щифт). Този щепсел може да бъде вкаран в гнездото само по един начин. Това е функция за обезопасяване. Ако не можете да поставите щепсела в гнездото, опитайте да го обърнете. Ако щепселът все още не се побира в гнездото, поискайте от електротехник да го смените. Не изваждайте предизпителите от поляризиращ щепсел. Ако използвате удължителен кабел или захранващ кабел, различен от тези, предоставени с устройството, той трябва да има съответните щепсели и одобрения за безопасност, изисквани в дадената страна.
8. Обезопасяване на захранващия кабел - Захранващите кабели трябва да бъдат насочвани така, че да не може да се стъпва по тях, да не бъдат притискани или прерязани от поставени върху тях предмети. Обърнете специално внимание на щепселите, контактите и мястото, където кабелите се извеждат от устройството.
9. Претоварване - Не претоварвайте стенните контакти, удължителите и електро-разпределителите, тъй като това може да доведе до пожар или токов удар.
10. Вентилация - устройството трябва да бъде охлаждаемо правилно. Не поставяйте устройството на легло, диван или подобни повърхности. Не покривайте уреда с покривки, салфетки, вестници и др.
11. Топлина - не поставяйте устройството в близост до източници на топлина като радиатори, лъчеви нагреватели, печки или други уреди (включително топлинни генератори), които произвеждат топлина. Не поставяйте запалени свещи или друг открит огън върху устройството.

12. Вода и влага - За да намалите риска от пожар или токов удар, не излагайте устройството на пряк дъжд, вода или влага, например в сауната или в банята. Не използвайте това устройство близо до вода като вана, мивка, кухненска мивка или вана, в мокро помещение или в близост до плувен басейн (или на подобни места).
13. Предмети и течности в устройството - не вкарвайте предмети през отворите на устройството, тъй като могат да влязат в контакт с опасни точки и компоненти на напрежение, което може да доведе до пожар или токов удар. При никакви обстоятелства не трябва да разливате течности по повърхността на устройството. Не поставяйте върху устройството предмети, съдържащи течности.
14. Почистяване - Преди почистване винаги изключвайте устройството от контакта. Прахът около високоговорителя може да премахнете с помощта на суха кърпа. Ако за почистването ще използвате аерозол, не насочвайте пръскачката директно към устройството, а към кърпата. Внимавайте да не повредите задвижващите устройства.
15. Допълнително оборудване - Не използвайте аксесоари, които не са одобрени от производителя, тъй като те могат да представляват риск.
16. Аксесоари - Не поставяйте устройството върху нестабилна количка, стойка, статив, конзола или маса. Устройството може да се преобръне и повреди, както и може да причини сериозни наранявания у деца или възрастни. Използвайте само колички, стойки, стативи, конзоли и маси, определени от производителя или продавани заедно с устройството. Сглобете уреда съгласно инструкциите на производителя, като използвате монтажния комплект, препоръчан от производителя.
17. Преместване на устройството - устройството, поставено на количката, трябва да се премества много внимателно. Внезапно спиране, твърде голяма сила или неравна повърхност може да доведе до преобръщане на количката заедно с устройството.
18. Период на неизползване на устройството - Изключете захранващия кабел от контакта по време на гръмотевични бури, или когато не използвате уреда за по-дълъг период от време.
19. Обслужване - не се опитвайте самостоятелно да правите преглед на устройството. Отварянето на капака може да доведе до опасно напрежение и да изложи потребителя на други опасности. С консервация и ремонтниране на оборудването се занимават единствено квалифицирани служители на сервиса.
20. Когато устройството не е в употреба, извадете захранващия кабел от контакта. Когато устройството е свързано към източник на захранване, то е в режим на готовност и не е напълно изключено.
21. Резервни части - при подмяна на части се уверете, че техникът е използвал препоръчаните от производителя резервни части или също, че частите са идентични с оригиналните. Подмяната с неодобрени части може да доведе до пожар, токов удар или други опасности.
22. Главни предпазители - за да предпазите устройството за постоянно от пожар, използвайте предпазители от съответния тип и параметри. Параметрите на предпазителите в даден обхват на напрежение са обозначени на устройството.
23. Не увеличавайте силата на звука, когато слушате част от песен с ниска сила на звука или при липсата на входен аудио сигнал. В противен случай при бързо увеличаване на силата на сигнала може да се стигне до повреда на високоговорителя.
24. Единственият начин за напълно изключване на устройството от източника на захранване е да изключите захранващия кабел от контакта или от устройството. Винаги, когато използвате устройството, трябва да има достъпен захранващ контакт или захранващ кабел.
25. Устройството трябва да се постави близо до контакт или удължителен кабел и така, че да е винаги достъпно.
26. Максималната температура на околната среда на устройството е 35 ° C.
27. Инструкции за електростатично разреждане - ако работата на устройството е прекъсната от електростатичен разряд, изключете уреда и повторно включете устройството или го преместете на друго място.
28. Батерия
 - a. Не излагайте батериите на прекомерна топлина като например слънчеви лъчи, огън и др.
 - b. Когато използвате батериите, обърнете внимание на изискванията за опазване на околната среда.
- в. Предупреждение за използване на батерията: За да не се стигне до изтичане на батерията, което може да доведе до нараняване или повреда на устройството:
 - , При поставяне на батерията, обърнете внимание на нейните полюси (+ и -).
 - , Не използвайте едновременно различни батерии - стари и нови, стандартни и алкални и др.
 - , Извадете батериите от устройството, ако няма да го използвате за по-дълъг период от време.

ВНИМАНИЕ

Устройството не трябва да се използва от хора (включително деца) с намалени физически, сензорни или психически способности и лица с недостатъчни познания и опит, освен ако не са под наблюдението на лице, отговорно за тяхната безопасност и не са инструктирани как безопасно да използват устройството. Необходимо е присъствие на възрастни, ако устройството се използва от деца; това ще осигури безопасно използване на устройството.

1. Не оставяйте устройството без надзор! Изключвайте устройството, когато не го използвате, дори и за кратко време.
2. Не включвайте устройството чрез възнен часовник, нито чрез отделна система за дистанционно управление.
3. За да избегнете опасност при повреда на захранващия кабел, подмяната трябва да се извърши от производителя, от упълномощен сервизен център или от друго квалифицирано лице.
4. Преди да използвате уреда се уверете, че напрежението му съответства на напрежението на местното захранване.
5. Не покривайте вентилационните изходи, например с вестници, покривки, завеси и др. Уверете се, че над устройството има най-малко 20 см свободно пространство и от всяка страна на уреда - най-малко 5 см.
6. Не допускайте да капят или да се разливат течности или не поставяйте предмети, съдържащи течности като например вази.
7. За да избегнете пожар или токов удар, предпазвайте устройството от горещи места, дъжд, влага и прах.
8. Не поставяйте устройството близо до водоизточници като кранове, вани, перални машини или плувни басейни. Поставете устройството на равна и стабилна повърхност.
9. Не излагайте устройството на силни магнитни полета.
10. Не поставяйте устройството директно върху усилвателя или приемника.
11. Не поставяйте устройството на влажно място, тъй като влагата има вреден ефект върху електрическите компоненти.
12. При внасяне на устройството от студено на топло или на влажно място, може да се образува конденз върху обектива въртре в плетъра. В този случай устройството няма да работи правилно. Оставете включения уред в продължение на около един час, за да може влагата да се изпари.

13. Не почиствайте устройството с химически разтворители, тъй като те могат да повредят лаковото покритие на конструкцията. Избършете устройството с чиста, суха или леко влажна кърпа.
14. Когато изваждате щепсела от контакта, винаги издърпвайте щепсела, а не захранващия кабел.
15. Когато устройството е включено в близост до телевизор, то може да е източник на смущения под формата на линии на екрана. Това зависи от дължината на телевизионната вълна. Не означава неизправност на устройството или телевизора. Ако видите такива линии, преместете устройството далеч от телевизора.
16. Захранващият щепсел се използва за изключване на захранващото напрежение и трябва да е винаги на разположение.
17. За да предотвратите евентуална загуба на слух, не слушайте силна музика в продължение на дълги периоди от време.



ВНИМАНИЕ



Декларация

С настоящото Blaupunkt Competence Center 2N-Everpol Sp. z o.o. декларира, че това устройство отговаря на изискванията и други приложими разпоредби на Директива 2014/53 / на ЕС. Пълната декларация за съответствие може да бъде намерена на www.blaupunkt.com в раздела за продукти.

Отговорно лице: 2N-Everpol Sp. z o.o.
Puławska 403A, 02-801 Warszawa, Polska
Телефон: +48 22 688 08 00, e-mail: info@everpol.pl



Продуктът е произведен от висококачествени материали и компоненти, които могат да бъдат рециклирани и повторно използвани.



Ако на вашето устройство има символ със зачеркнат контейнер за боклук, това означава, че продуктът е обхванат от разпоредбите на Европейска директива 2012/19/ЕС. Въз основа на това, моля, следвайте местните разпоредби и се запознайте с изискванията за вашата местна система за събиране на електрически и електронни отпадъци и, в случай на този продукт, спазвайте ги.

НЕ ИЗХВЪРЛЯЙТЕ ТОЗИ ПРОДУКТ С ВАШИТЕ ДОМАКИНСКИ ОТПАДЪЦИ!

ТОЗИ ПРОДУКТ СЪДЪРЖА ОПАСНИ ВЕЩЕСТВА, СМЕСИ И КОМПОНЕНТИ, КОИТО, АКО СА НЕРАЗРЕШЕНИ, МОГАТ ДА БЪДАТ ИЗТОЧНИК НА ПОТЕНЦИАЛНИ ЕФЕКТИ ВЪРХУ ПРИРОДНАТА ОКОЛНА СРЕДА И ЧОВЕШКОТО ЗДРАВЕ!

Правилното изхвърляне на използвания продукт ще предотврати отрицателните ефекти върху околната среда и човешкото здраве.



Устройството е оборудвано с батерии, които са част от европейска директива 2006/66/ЕС. Не изхвърляйте батериите заедно с битови отпадъци. Запознайте се с изискванията на местната система за събиране на батерии, тъй като правилната употреба на стария продукт ще предотврати потенциални негативни последици за околната среда и човешкото здраве.

Информация за опазване на околната среда

Пакетът съдържа само необходимите елементи. Положени са всички усилия, за да се гарантира, че трите компонента на опаковката са лесни за разделяне: картонена кутия, полистиролова пяна (вътрешна защита) и полиетилен (торбички, защитен лист). Устройството е изработено от материали, които могат да бъдат рециклирани и повторно използвани, след като се демонтират от специализирана фирма. Спазвайте местните разпоредби за изхвърляне на опаковъчни материали, отпадъчни батерии и ненужно оборудване.

Записването и възпроизвеждането на материали може да изисква съгласие. Вижте Закона за авторските права и правата на изпълнителите/ артистите.

Забележка относно ERP2 (на устройства, свързани с енергопотребление)

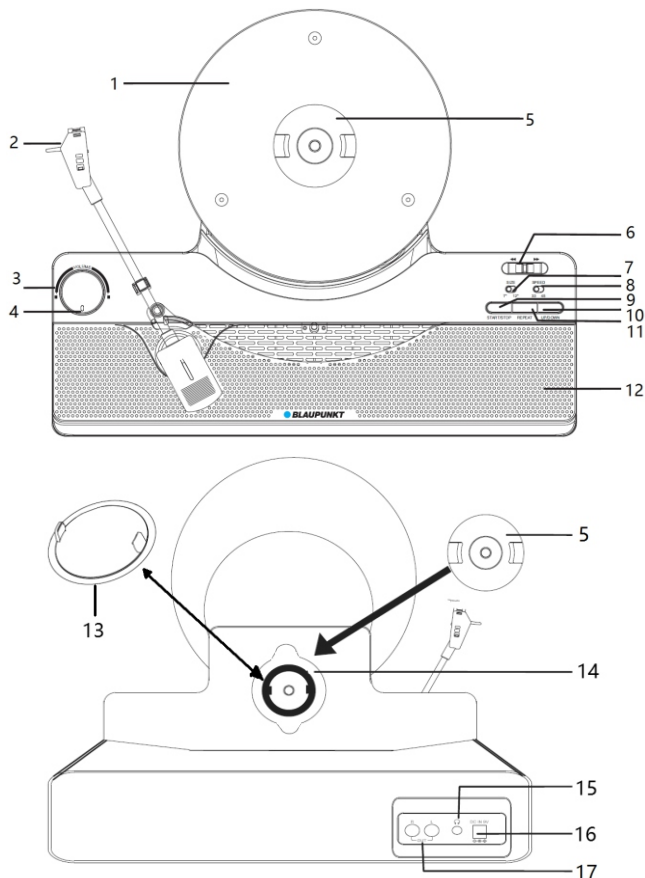
Настоящото устройство с екопроект отговаря на изискванията на етап 2 от Регламента на Комисията (ЕО) № 1275/2008 за прилагане на Директива 2009/125 / ЕО относно консумацията на енергия от електроуреди за офиса и дома.



Собственик на търговските знаци и логото Bluetooth® е фирма Bluetooth SIG, Inc. USA. Използването на тези знаци и логото подлежи на лицензиране. Другите знаци и търговски названия принадлежат на съответните собственици.

Благодарим Ви, че избрахте нашия модел, моля, запознайте се внимателно с настоящата инструкция, преди да започнете да използвате устройството. Моля, съхранете инструкцията за използване в бъдеще.

Разположение на елементите за управление



1- Плоча на грамофона

2- Касета за грамофон с игла

3- Функционално копче (включване/изключване на захранването, избор на режим на възпроизвеждане, регулиране на силата на звука)

4- LED индикатор за режима на възпроизвеждане. (Бял цвят = режим на възпроизвеждане на винили; Бяла мигаща = режим на възпроизвеждане на винили с предаване на Bluetooth сигнал към външно устройство, напр. външни активни високоговорители, Bluetooth слушалки и др; Син цвят = Bluetooth режим на възпроизвеждане за външни устройства - смартфон, таблет)

5- Монтажен пръстен за закрепване на винила върху плочата на грамофона

6- Превключвател за управление на възпроизвеждането напред/назад

7- Превключвател за избор на размера на грамофонната плоча: 7" или 12"

8- Превключвател за скоростта на възпроизвеждане (33 об./мин. или 45 об./мин.)

9- Бутон START/STOP за стартиране и спиране на възпроизвеждането на винили

10- Бутон UP/DOWN за спускане и повдигане на рамото на грамофона

11- Бутон REPEAT за стартиране на функцията повтаряне на възпроизвеждането на плочата

12- Вграден високоговорител

13- Пръстен за центриране на плочи

14- Държач за центриращ и фиксиращ пръстен за плочи

15- Изход за слушалки

17- Линеен изход аудио RCA

16- Гнездо за захранване с постоянен ток

Преди да използвате грамофона за първи път, отстранете предпазния кабел от рамото на грамофона и внимателно свалете прозрачната защитна обвивка на иглата (вж. снимката по-долу). Присъединете доставеното захранващо устройство AC/DC към домашно гнездо AC, за да получите източник на захранване, след което присъединете DC конектора на захранването към захранващото гнездо DC на задния панел.

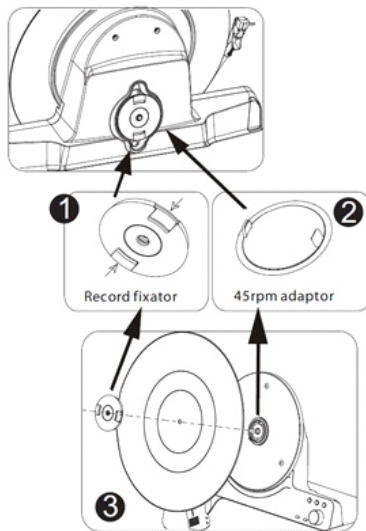


(Отстранете прозрачната защитна обвивка на иглата)

Включване/изключване на грамофона/режим на възпроизвеждане/регулиране на силата на звука: натиснете и задръжте функционалното копче за 3 секунди, за да включите/изключите устройството; натиснете за кратко въртящото копче, за да превключите режима на възпроизвеждане между възпроизвеждане на винил / Bluetooth OUT / Bluetooth IN. При превключване на режима на възпроизвеждане ще се появи съответно гласово съобщение, указващо избрания режим. Завъртете копчето, за да намалите или увеличите изходящата сила на звука.

Общи забележки за виниловите плочи:

1. да пуснете винилова плоча, трябва да я почистите от всякакви прахови частици или прах. За целта използвайте подходяща четка, а при по-силно замърсяване - специален препарат за почистване на винили. Тези аксесоари не са част от комплекта.
2. Замърсената и прашна плоча ще окаже значително влияние върху качеството на възпроизвеждания звук, което може да се прояви като пукане и незначителни изкривявания.
3. Ако повърхността на плочата е неравна (често срещано явление при по-старите плочи), това може да доведе до клатушкане на плочата по време на възпроизвеждане и да промени траекторията на пистата, което ще се отрази на качеството на звука. Моля, обърнете внимание, че това не е дефект на този грамофон. За да намалите това явление, опитайте се да поставите правилно винила върху плочата на грамофона и да го фиксирате добре с фиксиращия пръстен.



Възпроизвеждане на винилов плочи

За да възпроизведете плочата, следвайте стъпките по-долу.

1. Включете устройството, натиснете за кратко функционалното копче (3), за да влезете в режим на възпроизвеждане на винили. Светодиодният индикатор за избор на режим (4) ще светне с бяла светлина и от високоговорителя ще се генерира звуково съобщение "VINYL".
2. Натиснете и задръжте левия и десния бутон на блокадата на фиксиращия пръстен на виниловата плоча, за да го извадите от държача на задния панел на грамофона
3. Внимателно поставете виниловата плоча върху плочата на грамофона, след което я закрепете с помощта на фиксиращия пръстен, като го захванете за щифта, стърчащ от централния отвор на плочата.
4. Използвайте бутоните на предния панел, за да изберете подходящия размер на плочата (7) и оборотите (8).
5. Натиснете за кратко бутон START/STOP, за да стартирате възпроизвеждането на плочата. Рамото на грамофона автоматично ще се придвижи до ръба на плочата, за да започне да възпроизвежда първата песен. Натиснете отново този бутон, за да спрете възпроизвеждането, и рамото на грамофона автоматично ще се върне в стойката си.
6. За да преминете към предишната или следващата песен, преместете съответно превключвателя за управление на възпроизвеждането напред/назад (6); за да повдигнете или спуснете рамото на грамофона, натиснете бутона UP/DOWN (10).
7. Натиснете за кратко бутона за повтаряне REPEAT (11), за да активирате функцията за повторение при възпроизвеждане на винил. Светодиодният индикатор (4) ще светне със зелена светлина. Когато устройството завърши възпроизвеждането на плочата, рамото автоматично ще се премести и ще започне да възпроизвежда плочата отначало. Натиснете отново бутона REPEAT (11), за да отмените функцията за повторение.

Възпроизвеждане на плочи с голям централен отвор (обикновено плочи със скорост на възпроизвеждане 45

об./мин.): Когато възпроизвеждате винилова плоча с голям централен отвор, първо поставете централиращ пръстен, намиращ се в държача на задния панел на грамофона, върху вдлъбнатината в плочата на грамофона (в центъра), след това поставете виниловата плоча с голям отвор върху плочата на грамофона и фиксирате фиксиращия пръстен, така че закопчалките, които стърчат от централиращия пръстен, да се плъзнат в отворите от вътрешната страна на фиксиращия пръстен. Вижте фигурата по-долу, показваща тази операция.

Възпроизвеждане на винилови плочи с предаване на Bluetooth сигнал към външно устройство (Bluetooth OUT):

Този модел има функция Bluetooth OUT, която позволява безжично предаване на аудиосигнала по време на възпроизвеждане на винил към външни устройства, като активни Bluetooth високоговорители (например BLAUPUNKT BS60, BS50, BS40 или други), Bluetooth слушалки и други високоговорители с Bluetooth IN. За да активирате функцията за предаване на аудиосигнал към външно Bluetooth устройство, използвайте функционалното копче (3), за да изберете режим на възпроизвеждане на винилова плоча с предаване на Bluetooth сигнал (светодиодният индикатор на режима на възпроизвеждане трябва да мига в бяло, което показва готовност за сдвояване с външно Bluetooth устройство, а от високоговорителя ще се генерира аудио съобщение - "VINYL STREAM"). Включете външното Bluetooth устройство и го превключете в режим на Bluetooth сдвояване (проверете инструкцията на външното устройство за подробна информация), този грамофон автоматично ще открие и ще се свърже с външното Bluetooth устройство. След успешно сдвояване с външно Bluetooth устройство светодиодният индикатор ще се стабилизира и ще светне с бяла светлина, и от високоговорителя ще се генерира звуково съобщение - "CONNECTED". След това натиснете бутона START/STOP (9), за да стартирате възпроизвеждането на винилова плоча и звукът ще се възпроизвежда чрез външното Bluetooth устройство.

Забележки:

1. Моля, обърнете внимание, че в този режим на възпроизвеждане контролът на силата на звука е достъпен за свързаното външно устройство, а не за този грамофон.
2. Оптималното работно разстояние между този грамофон и външно Bluetooth устройство е 10 метра, без да има препятствия между устройствата.

Възпроизвеждане чрез Bluetooth IN

Този грамофон е снабден с функция Bluetooth, която позволява безжично възпроизвеждане на музика от други Bluetooth устройства (напр. смартфони, таблети, телевизори и др.) чрез вградени високоговорители.

1. Включете устройството и натиснете функционалният бутон (3), докато светодиодният индикатор за избор на режим (4) започне да мига в синьо и от високоговорителя се генерира звуково съобщение - "BLUETOOTH", което показва, че устройството е готово за сдвояване с външно Bluetooth устройство.
2. Включете функцията Bluetooth на външното Bluetooth устройство и потърсете налични устройства за сдвояване (проверете инструкцията за експлоатация на външното устройство), след което проверете наличното Bluetooth устройство в списъка. Изберете "BP VT100" за сдвояване, светодиодният индикатор за избор на режим (4) на този грамофон ще светне с постоянна светлина след успешно сдвояване и от високоговорителя му ще се излъчи звуково съобщение - "CONNECTED".
3. Изберете и пуснете музика от външно Bluetooth устройство, регулирайте силата на звука по подходящ начин и след това звукът ще излиза от вградените високоговорители на този грамофон.
4. В режим на възпроизвеждане чрез Bluetooth използвайте външното Bluetooth устройство за управление.

Забележки:

- a. Не е гарантирано, че всички Bluetooth устройства ще се сдвоят правилно поради различните конструкции и марки.
- b. Най-доброто разстояние за работа за Bluetooth е 10 метра без препятствия между устройствата.
- c. Устройството може да се сдвоява и да работи само с едно Bluetooth устройство в даден момент.
- d. В случай на телефонно обаждане по време на възпроизвеждане Bluetooth: музиката временно ще бъде спряна и възобновена, когато телефонното обаждане приключи.

Линейен изход RCA

Грамофонът има един линейен изход RCA, който позволява кабелна връзка с външен активен високоговорител или усилвател. Сигналят от линейния изход е достъпен по време на възпроизвеждане на винил и в режим Bluetooth. С помощта на аудиокабел RCA - RCA (не е приложен в комплекта) свържете линейния изход RCA на грамофона към линейния вход RCA на външното устройство; На външното устройство превключете източника в режим на линейен вход и регулирайте нивото на звука; изберете и възпроизведете музиката на грамофона, звукът ще се появи както във вградените високоговорители на грамофона, така и във външното устройство.

За да се избегне припокриване на звука между вградените високоговорители на грамофона и външните устройства, свързани към линейния изход RCA, е възможно напълно да се заглуши звукът от високоговорителите на грамофона с помощта на функционалното копче (3). Сигналят на линейния изход е с фиксирано ниво и силата му може да се регулира с помощта на регулатора на силата на звука на външното устройство.

Изход за слушалки: свържете жични слушалки към гнездото за слушалки на задния панел на грамофона. Звукът от вградените високоговорители ще бъде заглушен и ще се възпроизвежда само в слушалките. Регулирайте силата на звука на слушалките с помощта на функционалното копче (3).

С помощта на подходящ кабел сигналят от изхода за слушалки може да се подаде и към входа AUX напр. в микро система, активни високоговорители и др.

Когато използвате Bluetooth слушалки, препоръчваме да ги свържете в режим на възпроизвеждане на винил с предаване на Bluetooth сигнал към външно устройство (Bluetooth OUT). Начинът на свързване е описан в предишния раздел на тази инструкция.

Смяна на иглата в касета AT3600L

Иглата може да издържи приблизително 300 часа при нормална употреба. Препоръчително е да смените иглата веднага щом забележите промяна в качеството на звука.

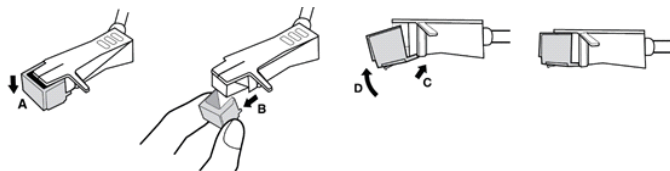
1. Изваждане на иглата от касетата

- a. Внимателно хванете с пръсти страните на корпуса на иглата и го преместете надолу (както е показано на фигура "A")
- b. Издърпайте иглата, както е показано на фигура "B".

Забележка: Когато изваждате иглата от касетата, трябва да бъдете внимателни. Използването на твърде голяма сила може да повреди касетата или да счупи иглата.

2. Инсталиране на нова игла в касетата

- Задръжте корпуса на иглата и го поставете в касетата в посоката, показана на фигура "С".
- Преместете иглата нагоре, както е показано на фигура "D", докато се застопори в касетата.



Предупреждение.

- Преди да смените иглата, изключете грамофона от електрическото захранване. Не изваждайте самата игла от корпуса и не я огъвайте.
- Остри ръбове, не докосвайте иглата, за да не нараните ръката си. Да се съхранява на място, недостъпно за деца.



- Препоръчваме ви да се обърнете към опитен или професионален сервизен техник, който да смени стилуса.

Решаване на проблеми

- Грамофонът не може да се включи.
 - Проверете, дали захранването е свързано правилно.
- Липса на звук.
 - Опитайте да регулирате копчето за силата на звука и да проверите източника на възпроизвеждане.
 - Свържете се със сервизен център, ако проблемът продължава.
- Деформиране на звука.
 - Опитайте да възпроизвеждате музиката при по-ниско ниво на силата на звука.
 - Почистете виниловата плоча и опитайте отново.
- Звукът прекъсва в режим Bluetooth.
 - Преместете устройството Bluetooth по-близо до грамофона.
 - Опитайте отново да сдвоите грамофона с Bluetooth устройството.

Спецификация

Източник на захранване: DC IN, 9V/1.5A

Изходна мощност RMS: 2 x 5W, THD10%

Версия Bluetooth: V5.1

Работен обхват на Bluetooth модула: приблизително 10 метра

Честота на трансмисия: 2,402~2,480GHz

Обслужвани протоколи: A2DP/AVCTP/AVDTP/AVRCP/GAVDP/HFP/HID/OPP/RFCOMM/SPP

Отклонение на оборотите на грамофона: аксиално биене < 0.6mm

Сила на натиск на касетата: 3,5g (+/0,5g)

Модел на касетата: AT3600L, марка Audio Technica

Консумация на мощност: 13,5 W

Консумация на мощност в режим готовност: < 0,5 W

(Забележка: спецификацията на продукта може да бъде променена без предизвестие).

ΣΗΜΑΝΤΙΚΕΣ ΠΛΗΡΟΦΟΡΙΕΣ ΣΧΕΤΙΚΑ ΜΕ ΤΗΝ ΑΣΦΑΛΕΙΑ

ΠΡΟΕΙΔΟΠΟΙΗΣΗ

**ΚΙΝΔΥΝΟΣ ΗΛΕΚΤΡΟΠΛΗΞΙΑΣ
ΜΗΝ ΑΝΟΙΓΕΤΕ**
Προειδοποίηση:

Για να μειώσετε τον κίνδυνο ηλεκτροπληξίας, δεν επιτρέπεται να αποσυναρμολογήσετε το κάλυμμα ούτε το οπίσθιο μέρος της συσκευής. Μέσα στη συσκευή δεν υπάρχουν εξαρτήματα προορισμένα για επισκευή από τον χρήστη. Η συντήρηση και η επισκευή του εξοπλισμού εκτελείται αποκλειστικά από τους εξουσιοδοτημένους υπάλληλους σέρβις.

Εξήγηση γραφικών συμβόλων


Το σύμβολο αστραπής με το βέλος στην άκρη της μέσα στο ισόπλευρο τρίγωνο προειδοποιεί τον χρήστη από μη μονωμένη, "επικίνδυνη ηλεκτρική τάση" στο περίβλημα της συσκευής που μπορεί να έχει την τιμή η οποία προκαλεί ηλεκτροπληξία.



Το σύμβολο θαυμαστικού στο ισόπλευρο τρίγωνο προειδοποιεί τον χρήστη ότι σε αυτό τον τόπο των τεκμηρίωσών που συνάπτεται στη συσκευή, παρουσιάζονται σημαντικές πληροφορίες σχετικά με τον χειρισμό και τη συντήρηση της συσκευής.

Παρακαλούμε να διαβάσετε αυτές τις οδηγίες χρήσης πριν αρχίσετε να χειρίζεστε τη συσκευή, για να γνωρίσετε τις λειτουργίες της και για τη χρησιμοποίησή της σύμφωνα με τον προορισμό της. Έτσι διασφαλίζετε τον διαρκή χειρισμό της συσκευής χωρίς βλάβες και απόλαυση από τη χρήση της συσκευής.

Σημαντικές πληροφορίες

- Πρέπει να κρατήσετε τις οδηγίες χρήσης και τις πληροφορίες σχετικά με την ασφάλεια με σκοπό τη μελλοντική χρήση τους.
- Μην επιτρέψετε κανένα υγρό να στάξει ή να χυθεί στη συσκευή.
- Δεν επιτρέπεται να χρησιμοποιήσετε τη συσκευή σε μέρη με υγρασία όπως π.χ. μπάνιο.
- Δεν επιτρέπεται να εγκαταστήσετε αυτή τη συσκευή στα ακόλουθα μέρη:
 - Μέρη εκτεθειμένα στην άμεση ακτινοβολία ή κοντά σε θερμάστρες.
 - Μην τοποθετείτε πάνω στη συσκευή άλλο εξοπλισμό στερεό που εκπέμπει θερμότητα.
- Όπου μπλοκάρεται ο εξαερισμός ή σε μέρος με σκόνη.
- Σε μέρη εκτεθειμένα σε συνεχείς δονήσεις.
- Σε μέρη με μεγάλη υγρασία.
- Δεν επιτρέπεται να τοποθετήσετε τη συσκευή δίπλα σε κερία και ανοιχτή φλόγα.
- Μπορείτε να χρησιμοποιήσετε τη συσκευή με τον τρόπο που περιγράφεται στις παρούσες οδηγίες χρήσης.
- Πριν από την πρώτη ενεργοποίηση, πρέπει να βεβαιωθείτε ότι το τροφοδοτικό είναι κατάλληλα συνδεδεμένο.
- Η μήνιμη USB συνδεδεμένη άμεσα ή με επέκταση USB μήκους έως 25 cm.

Για λόγους ασφαλείας δεν επιτρέπεται να αποσυναρμολογήσετε το περίβλημα ούτε να έχετε πρόσβαση στο μέσο της συσκευής. Η συσκευή πρέπει να επισκευαστεί από το εξειδικευμένο προσωπικό του σέρβις.

Δεν επιτρέπεται να ξεβιδώσετε τη συσκευή ούτε να ανοίξετε το περίβλημά της, γιατί μέσα δεν υπάρχουν εξαρτήματα που μπορεί να επισκευαστούν από τον χρήστη. Η συντήρηση και η επισκευή του εξοπλισμού εκτελείται αποκλειστικά από τους εξουσιοδοτημένους υπάλληλους σέρβις.

ΣΗΜΑΝΤΙΚΕΣ ΠΛΗΡΟΦΟΡΙΕΣ ΣΧΕΤΙΚΑ ΜΕ ΤΗΝ ΑΣΦΑΛΕΙΑ

1. Διαβάστε τις οδηγίες χρήσης – πριν χρησιμοποιήσετε τη συσκευή πρέπει να διαβάσετε όλες τις οδηγίες χρήσης και τις πληροφορίες για την ασφάλεια.
2. Φυλάξτε τις οδηγίες χρήσης – πρέπει να φυλάξετε τις οδηγίες χρήσης και χειρισμού με σκοπό να τις χρησιμοποιήσετε στο μέλλον.
3. κολουθήστε τις προειδοποιήσεις – πρέπει να ακολουθήσετε όλες τις προειδοποιήσεις που είναι τοποθετημένες πάνω στη συσκευή και να ακολουθήσετε τις οδηγίες χρήσης.
4. Ακολουθήστε τις οδηγίες χρήσης – πρέπει να ακολουθήσετε τις οδηγίες χρήσης και τις συμβουλές για τον χρήστη.
5. Εγκατάσταση – πρέπει να τοποθετήσετε τη συσκευή σύμφωνα με τις οδηγίες του κατασκευαστή.
6. Πηγή τροφοδοσίας – η συσκευή πρέπει να τροφοδοτηθεί αποκλειστικά από τις πηγές με τις παραμέτρους που αναφέρονται στις επισημανσεις του καλωδίου τροφοδοσίας. Αν ο χρήστης δεν είναι σίγουρος ποιαου τύπου τροφοδοσία έχει στο σπίτι του, πρέπει να επικοινωνήσει με τον πωλητή της συσκευής ή τον τοπικό προμηθευτή ηλεκτρικής ενέργειας.
7. Γείωση και πόλωση της συσκευής – η συσκευή πρέπει να έχει γείωση. Πρέπει να βεβαιωθείτε ότι το φως είναι τελικά τοποθετημένο στην πρίζα ηλεκτρικού δικτύου ή της επέκτασης, για να μην αφήσετε τους πείρους ή τους επαφές το φως χωρίς κάλυμμα. Κάποιες εκδόγές της συσκευής μπορεί να είναι εξοπλισμένες με πολωμένο φως εναλασσόμενο ρεύματος (με έναν πείρο πλατύτερο). Μπορείτε να βάλετε αυτό το φως στην πρίζα μόνο με έναν τρόπο. Αυτό είναι η λειτουργία προστασίας. Αν δεν μπορείτε να βάλετε το φως στην πρίζα, πρέπει να το περιστρέψετε. Αν το φως εξακολουθεί να μην ταιριάζει στην πρίζα, πρέπει να δώσετε εντολή στον ηλεκτρολόγο να αντικαταστήσει την πρίζα. Δεν επιτρέπεται να βγάλετε τα προστατευτικά του πολωμένου φως. Όταν χρησιμοποιείτε επέκταση ή καλώδιο τροφοδοσίας διαφορετικό από αυτό που παραδίδεται μαζί με τη συσκευή, αυτά πρέπει να έχουν κατάλληλα φως και το πιστοποιητικό ασφαλείας.
8. Προστασία του καλωδίου τροφοδοσίας – τα καλώδια τροφοδοσίας πρέπει να δρομολογούνται έτσι, ώστε να μην τα πατάτε, να μην τα πιέζετε και μην τα κόβετε με τοποθετημένα πάνω τους αντικείμενα. Δώστε ειδική σημασία στα φως, τις πρίζες ηλεκτρικού δικτύου και του τόπου όπου τα καλώδια είναι τοποθετημένα μέσα στη συσκευή.
9. Υπερφόρτωση – Δεν επιτρέπεται να υπερφορτώσετε τις ηλεκτρικές πρίζες τοίχου, τις επεκτάσεις και τους διαχωριστές, γιατί αυτό προκαλεί κίνδυνο πυρκαγιάς ή ηλεκτροπληξίας.
10. Εξαερισμός – η συσκευή πρέπει να έχει κατάλληλο εξαερισμό. Δεν επιτρέπεται να τοποθετήσετε τη συσκευή πάνω σε ένα κρεβάτι, έναν καναπέ ή σε παρόμοιες επιφάνειες. Δεν επιτρέπεται να καλύψετε τη συσκευή με τραπέζιματλητα, πετσέτες, εφημερίδες κλπ.

12. Νερό και υγρασία – για να μειώσετε τον κίνδυνο πυρκαγιάς ή ηλεκτροπληξίας, δεν επιτρέπεται να εκθέτετε τη συσκευή στην άμεση επίδραση βροχής, νερού και υγρασίας όπως π.χ. στη σάουνα ή το μπάνιο. Μην χρησιμοποιείτε την παρούσα συσκευή δίπλα σε νερό, π.χ. δίπλα σε μια μπανιέρα, νιπτήρα, νεροχύτη κουζίνας ή σκάφη, σε ένα υπόγειο με υγρασία ή δίπλα σε πισίνα (ή σε παρόμοιους τόπους).
13. Αντικείμενα και υγρά μέσα στη συσκευή – δεν επιτρέπεται να πιέσετε οποιοδήποτε αντικείμενο μέσα από τα ανοίγματα της συσκευής, γιατί αυτά μπορεί να έχουν επαφή με τα σημεία της επικίνδυνης ηλεκτρικής τάσης και τα υποστήματα και αυτό μπορεί να προκαλέσει πυρκαγιά. Σε καμία περίπτωση μη χύσετε οποιοδήποτε υγρό δίπλα στη συσκευή. Δεν επιτρέπεται να βάζετε πάνω στη συσκευή τα αντικείμενα που περιέχουν υγρά.
14. Καθαρισμός – πάντα πρέπει να αποσυνδέετε τη συσκευή από την πρίζα ηλεκτρικού δικτύου πριν από καθαρισμό. Η σκόνη γύρω από το ηχείο μπορεί να αφαιρεθεί με ένα ύφασμα. Αν χρησιμοποιήσετε ένα αερόβλυστο για καθαρισμό, μην κατευθύνετε τη ροή ψεκασμού άμεσα στη συσκευή, αλλά σε ένα πανί. Πρέπει να προσέχετε να μη χαλάσετε τις μονάδες μετάδοσης κίνησης.
15. Πρόσθετος εξοπλισμός – μη χρησιμοποιήσετε αξεσουάρ που δεν επιτρέπονται από τον κατασκευαστή, γιατί αυτά μπορούν να προκαλέσουν κίνδυνο.
16. Αξεσουάρ – μην τοποθετείτε τη συσκευή σε ασταθές καροτσάκι, υποστήριγμα, τρίποδο, βάση ή τραπέζι. Η συσκευή μπορεί να ανατραπεί και να χαλάσει καθώς και να προκαλέσει σοβαρά τραύματα σε παιδιά και σε ηλικιωμένα πρόσωπα. Πρέπει να χρησιμοποιήσετε αποκλειστικά καροτσάκια, υποστήριγματα, τρίποδα, βάσεις ή τραπέζια που ορίζονται από τον κατασκευαστή ή που πωλούνται μαζί με τη συσκευή. Εκτελέστε τη συναρμολόγηση της συσκευής σύμφωνα με τις οδηγίες του κατασκευαστή ή χρήση του σετ συναρμολόγησης που προτείνεται από τον κατασκευαστή.
17. Μεταφορά της συσκευής – πρέπει να μεταφέρετε τη συσκευή τοποθετημένη σε καροτσάκι πολύ προσεκτικά. Ξαφνικό σταμάτημα, υπερβολική δύναμη ή ανώμαλες επιφάνειες μπορεί να προκαλέσουν ανατροπή στο καροτσάκι μαζί με τη συσκευή.
18. Περίοδος όταν η συσκευή δεν χρησιμοποιείται – πρέπει να αποσυνδέσετε το καλώδιο τροφοδοσίας από την πρίζα ηλεκτρικού δικτύου κατά τις καταιγίδες με κεραυνούς ή όταν δεν χρησιμοποιείτε τη συσκευή πολλή ώρα.
19. Σέρβις – μην δοκιμάσετε να εκτελέσετε επιθεωρήσεις της συσκευής μόνοι σας. Το να ανοίξετε το κάλυμμα μπορεί να προκαλέσει επαφή με επικίνδυνη ηλεκτρική τάση και να εκτεθεί ο χρήστης σε άλλου κινδύνους. Η συντήρηση και η επισκευή του εξοπλισμού εκτελείται αποκλειστικά από τους εξουσιοδοτημένους υπάλληλους σέρβις.
20. Όταν δεν χρησιμοποιείτε τη συσκευή, πρέπει να αποσυνδέσετε το φως της από την πρίζα ηλεκτρικού δικτύου. Όταν η συσκευή είναι συνδεδεμένη στην πηγή ηλεκτρικής ενέργειας, είναι στον τρόπο λειτουργίας αναμονής και δεν είναι απολύτως απενεργοποιημένη.
21. Ανταλλακτικά – όταν αντικαθιστάτε εξαρτήματα πρέπει να ελέγχετε αν ο υπάλληλος του σέρβις έχει χρησιμοποιήσει τα ανταλλακτικά που προτείνονται από τον κατασκευαστή ή τα εξαρτήματα είναι ίδια όπως τα γνήσια εξαρτήματα. Η αντικατάσταση εξαρτημάτων με μην εγκεκριμένα προκαλεί κίνδυνο πυρκαγιάς, ηλεκτροπληξίας και άλλου κινδύνους.
22. Κύριες ηλεκτρικές ασφάλειες – για να προστατέψετε με συνεχή τρόπο τη συσκευή από πιθανή πυρκαγιά, πρέπει να χρησιμοποιήσετε τις ασφάλειες κατάλληλου τύπου και παραμέτρων. Οι παράμετροι των ασφαλειών του ορισμένου φάσματος της ηλεκτρικής τάσης επισημαίνονται πάνω στη συσκευή.
23. Δεν επιτρέπεται να αυξήσετε την ένταση ήχου όταν ακούτε ένα κομμάτι το οποίο έχει χαμηλή ένταση ήχου ή όταν δεν υπάρχει σήμα ήχου εισόδου. Σε αντίθετη περίπτωση, ενδέχεται να χαλάσετε το ηχείο με την ξαφνική αύξηση της έντασης του σήματος.
24. Η μοναδική λύση να αποσυνδέσετε πλήρως τη συσκευή από την πηγή ηλεκτρικής ενέργειας είναι η αποσύνδεση του καλωδίου τροφοδοσίας από την πρίζα ηλεκτρικής ενέργειας ή από τη συσκευή. Η πρίζα ηλεκτρικού δικτύου ή η υποδοχή του καλωδίου τροφοδοσίας στη συσκευή πάντα πρέπει να είναι διαθέσιμες κατά τη χρήση της συσκευής.
25. Η συσκευή πρέπει να τοποθετηθεί δίπλα σε πρίζα ηλεκτρικού δικτύου ή επέκταση έτσι ώστε να είναι πάντα διαθέσιμες.
26. Η μέγιστη θερμοκρασία περιβάλλοντος πρέπει είναι 35°C.
27. Οδηγίες σχετικά με τις ηλεκτροστατικές εκκινήσεις – αν η λειτουργία της συσκευής διαταράσσεται με τις ηλεκτροστατικές εκκινήσεις, πρέπει να την απενεργοποιήσετε και να την ενεργοποιήσετε ξανά ή να μεταφέρετε τη συσκευή σε άλλο τόπο.
28. Μπαταρία
- Δεν επιτρέπεται να εκθέτετε τις μπαταρίες στη δράση υπερβολικής ζέστης όπως π.χ. ηλιακή ακτινοβολία.
 - Κατά τη διάθεση των μπαταριών, πρέπει να δώσετε σημασία στις παραμέτρους της προστασίας του περιβάλλοντος.
 - Προειδοποίηση σχετικά με χρήση των μπαταριών: για να μην επιτρέψετε αποσφράγιση των μπαταριών που μπορεί να προκαλέσει τραύματα ή να χαλάσει τη συσκευή:
 - Όταν βάζετε τη μπαταρία δώστε σημασία στην πόλωση της (+ και -).
 - Δεν επιτρέπεται να χρησιμοποιήσετε ταυτόχρονα διαφορετικές μπαταρίες - καινούργιες και μεταχειρισμένες, τις μπαταρίες στάνταρ και αλκαλικές κλπ.
 - Πρέπει να βγάλετε τις μπαταρίες από τη συσκευή δεν τη χρησιμοποιείτε πολλή ώρα.

ΠΡΟΕΙΔΟΠΟΙΗΣΗ

Η συσκευή δεν επιτρέπεται να χρησιμοποιηθεί από πρόσωπα (συμπεριλαμβανόμενων των παιδιών) με μειωμένη φυσική και αισθητηριακή ικανότητα και τα πρόσωπα με ανεπαρκή γνώση και εμπειρία, αν δεν είναι υπό την εποπτεία του προσώπου που είναι υπεύθυνο για την ασφάλειά τους και δεν έχουν εκπαιδευθεί πως να χρησιμοποιούν τη συσκευή με ασφαλή τρόπο. Η παρουσία των ενηλίκων απαιτείται όταν τα παιδιά χειρίζονται τη συσκευή· έτσι θα διασφαλιστεί την ασφαλή χρήση της συσκευής.

- Δεν επιτρέπεται να αφήνετε τη συσκευή όταν λειτουργεί χωρίς καμία εποπτεία! Πρέπει να απενεργοποιείτε τη συσκευή όταν δεν τη χρησιμοποιείτε, ακόμη για ένα σύντομο διάστημα.
- Δεν επιτρέπεται να μεταχειρίζεστε τη συσκευή μέσα από ένα εξωτερικό ρολόι με χρονικό σύστημα ούτε με ξεχωριστό σύστημα τηλεχειρισμού.
- Για να αποφύγετε κίνδυνο σε περίπτωση βλάβης του καλωδίου τροφοδοσίας, η αντικατάστασή του πρέπει να εκτελείτε από τον κατασκευαστή, την εξουσιοδοτημένη υπηρεσία σέρβις ή άλλο πρόσωπο που διαθέτει τα κατάλληλα προσόντα.
- Πριν αρχίσετε να χειρίζεστε τη συσκευή, πρέπει να ελέγξετε αν η τάση της είναι συμβατή με την τάση του τοπικού ηλεκτρικού δικτύου.
- Δεν επιτρέπεται να καλύψετε τα ανοίγματα εξαερισμού π.χ. με εφημερίδες, τραπέζομάντηλα, κουρτίνες κλπ.. Πρέπει να βεβαιωθείτε ότι πάνω από τη συσκευή υπάρχει ένας ελεύθερο χώρος τουλάχιστον 20 cm και από κάθε πλευρά της - τουλάχιστον 5 cm.
- Δεν επιτρέπεται να στάζει ή να χυθεί κανένα υγρό στη συσκευή και δεν επιτρέπεται να βάζετε πάνω στη συσκευή κανένα αντικείμενο γεμάτο με υγρό όπως π.χ. ένα βάζο.
- Για να αποφύγετε πυρκαγιά ή ηλεκτροπληξία, πρέπει να προστατεύετε τη συσκευή από ζεστούς τόπους, τη δράση της βροχής, της υγρασίας και της σκόνης.
- Δεν επιτρέπεται να τοποθετείτε τη συσκευή κοντά σε οποιαδήποτε πηγή νερού όπως π.χ. βρύσες, μπανιέρες, πλυντήρια ή πισίνες κολύμβησης. Η συσκευή πρέπει να τοποθετηθεί σε μια ίσια και σταθερή βάση.

9. Δεν επιτρέπεται να εκθέτετε τη συσκευή σε ισχυρό μαγνητικό πεδίο.
10. Δεν επιτρέπεται να βάζετε τη συσκευή αμέσως στον ενισχυτή, δέκτη ή διακόπτη.
11. Δεν επιτρέπεται να βάζετε τη συσκευή σε ένα μέρος με υγρασία, γιατί η υγρασία έχει αρνητική επίδραση στα ηλεκτρικά συστήματα.
12. Μετά από μεταφορά της συσκευής από κρύο σε ζεστό τόπο ή σε τόπο με υγρασία, μπορεί να προκληθεί υγρασία της υγρασίας πάνω στον φακό μέσα στη συσκευή αναπαραγωγής. Σε μια τέτοια περίπτωση η συσκευή δεν θα λειτουργήσει σωστά. Πρέπει να αφήσετε τη συσκευή απενεργοποιημένη για περίπου μια ώρα, για να επιτρέψετε την εξάτμιση της υγρασίας.
13. Δεν επιτρέπεται να καθαρίζετε τη συσκευή με χημικούς διαλύτες, γιατί μπορεί να χαλάσουν το βερνίκι του περιβλήματος. Σκουπίζετε τη συσκευή με ένα καθαρό, στεγνό ή λίγο μουσκεμένο πανί.
14. Όταν βγάξετε το φως από την πρίζα τοίχου, πάντα πρέπει να τραβάτε το φως και όχι το καλώδιο.
15. Όταν η ενεργοποιημένη συσκευή χρησιμοποιείται δίπλα σε ενεργοποιημένη τηλεόραση, μπορεί να είναι πηγή διαταραχών όρασης με τη μορφή γραμμών στην οθόνη. Αυτό εξαρτάται από τη ζώνη κυμάτων μετάδοσης της TV. Αυτό δεν σημαίνει ότι η συσκευή ή η τηλεόραση δεν λειτουργούν κατάλληλα. Αν αυτές γραμμές είναι ορατές, πρέπει να απομακρύνετε τη συσκευή από την τηλεόραση.
16. Το φως ηλεκτρικού δικτύου χρησιμοποιείται για αποσύνδεση της ηλεκτρική τάσης τροφοδοσίας και πάντα πρέπει να είναι διαθέσιμο.
17. Για να μην επιτρέψετε πιθανή απώλεια ακοής, δεν επιτρέπεται να ακούτε μουσική πολύ δυνατά για πολλή ώρα.



ΠΡΟΣΟΧΗ



Δήλωση

Δια του παρόντος η εταιρεία Blaupunkt Competence Center 2N-Everpol Sp. z o.o. δηλώνει ότι η παρούσα συσκευή είναι συμβατή με τις προϋποθέσεις και τις λοιπές σχετικές προβλέψεις της οδηγίας 2014/53 / ΕΕ. Μπορείτε να λάβετε την πλήρη δήλωση συμβατότητας από την ιστοσελίδα www.blaupunkt.com στην καρτέλα του προϊόντος.

Κάτοχος άδειας κυκλοφορίας: 2N-Everpol Sp. z o.o.
Puławska 403A, 02-801 Warszawa, Πολωνία
Τηλέφωνο: +48 22 688 08 00., e-mail: info@everpol.pl



Το προϊόν κατασκευάστηκε από υλικά υψηλής ποιότητας και τα συστήματα, τα οποία μπορούν να ανακυκλωθούν και να χρησιμοποιηθούν ξανά.



Εάν υπάρχει σύμβολο διαγραμμένου κάδο απορριμμάτων στη συσκευή σας, σημαίνει ότι το προϊόν καλύπτεται από τις διατάξεις της Ευρωπαϊκής Οδηγίας 2012/19/ΕΕ. Με βάση αυτό, ακολουθήστε τους τοπικούς κανονισμούς και εξοικειωθείτε με τις απαιτήσεις για το τοπικό ηλεκτρικό και ηλεκτρονικό σύστημα συλλογής απορριμμάτων και, στην περίπτωση αυτού του προϊόντος, συμμορφωθείτε με αυτές.

ΜΗΝ ΑΠΟΡΡΙΠΤΕ ΑΥΤΟ ΤΟ ΠΡΟΪΟΝ ΜΕ ΤΑ ΟΙΚΙΑΚΙΑ ΣΑΣ ΑΠΟΒΛΗΤΑ!
ΑΥΤΟ ΤΟ ΠΡΟΪΟΝ ΠΕΡΙΧΕΙ ΕΠΙΚΙΝΔΥΝΕΣ ΟΥΣΙΕΣ, ΜΙΓΜΑΤΑ ΚΑΙ ΣΥΣΤΑΤΙΚΑ ΤΑ ΟΠΟΙΑ, ΕΑΝ ΜΗ ΕΓΚΕΚΡΙΜΕΝΟ, ΜΠΟΡΕΙ ΝΑ ΕΙΝΑΙ ΠΗΓΗ ΠΙΘΑΝΩΝ ΕΠΙΔΡΑΣΕΩΝ ΣΤΟ ΦΥΣΙΚΟ ΠΕΡΙΒΑΛΛΟΝ ΚΑΙ ΣΤΗΝ ΥΓΕΙΑ ΤΟΥ ΑΝΘΡΩΠΟΥ!

Η σωστή απόρριψη του χρησιμοποιούμενου προϊόντος θα αποτρέψει αρνητικές επιπτώσεις στο περιβάλλον και την ανθρώπινη υγεία.



Η συσκευή είναι εξοπλισμένη με μπαταρίες οι οποίες ορίζονται με την ευρωπαϊκή οδηγία 2006/66/ΕΚ. Δεν επιτρέπεται να απορριπτε τις μπαταρίες μαζί με τα οικιακά απορρίμματα. Πρέπει να εξοικειωθείτε με τους τοπικούς κανονισμούς για την ξεχωριστή συγκέντρωση των μπαταριών, διότι η κατάλληλη διάθεση προστατεύει από πιθανά αρνητικά αποτελέσματα της για το φυσικό περιβάλλον και την ανθρώπινη ζωή.

Πληροφορίες για την προστασία του περιβάλλοντος

Η συσκευασία περιέχει μόνο τα απαραίτητα στοιχεία. Έχει καταβληθεί κάθε δυνατή προσπάθεια ώστε τα τρία συστατικά της συσκευασίας να διαχωριστούν εύκολα: χαρτί (κουτί), αφρός πολυστερίνης (προστατευτικά μέσα στη συσκευασία) και πολυαιθυλένιο (σακούλες, προστατευτικό φύλλο). Η συσκευή κατασκευάστηκε από υλικά τα οποία μπορούν να ανακυκλωθούν και να χρησιμοποιηθούν ξανά μετά την αποσυρμολόγησή τους. Πρέπει να ακολουθήσετε τους τοπικούς κανονισμούς σχετικά με τη διάθεση των υλικών συσκευασίας, των μεταχειρισμένων μπαταριών και των περιττών συσκευών.

Η εγγραφή και αναπαραγωγή υλικού μπορεί να απαιτήσει σχετική άδεια. Βλέπε το περι-πνευματικών δικαιωμάτων και των δικαιωμάτων/δημιουργιών/καλλιτεχνών νόμο.

Παράρτημα σχετικά με τις ERP2 (Συσκευές σχετικά με την ενέργεια)

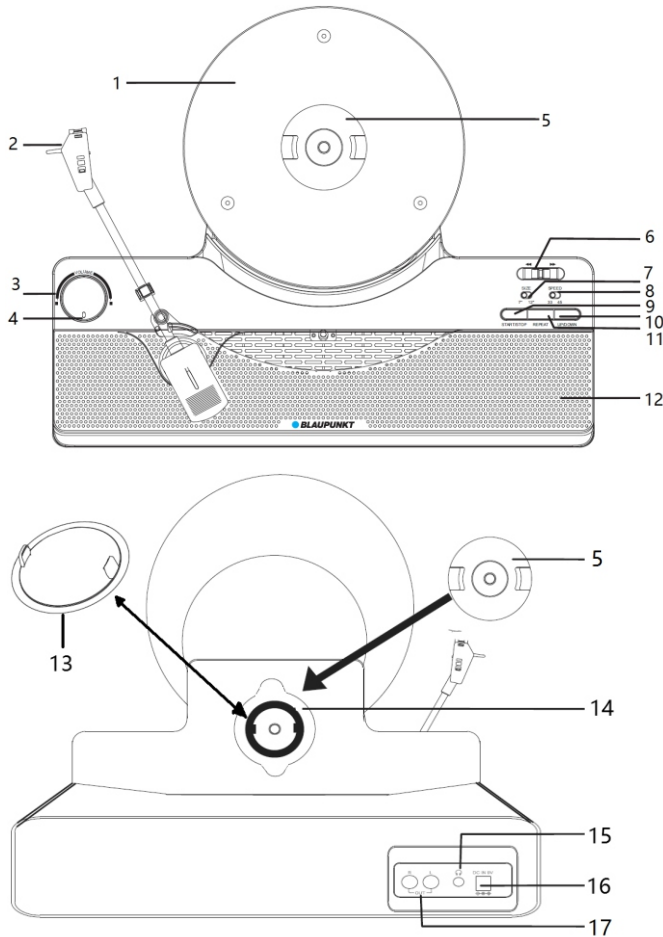
Η παρούσα συσκευή είναι οικολογικού σχεδιασμού και πληροί τις απαιτήσεις της φάσης 2 του Κανονισμού (ΕΚ) αριθ. 1275/2008 της Επιτροπής περί εφαρμογής της οδηγίας 2009/125/ΕΚ σχετικά με την κατανάλωση ενέργειας σε κατάσταση απενεργοποίησης και αναμονής του ηλεκτρικού και ηλεκτρονικού εξοπλισμού γραφείου και οικιακού εξοπλισμού.



Ο κάτοχος των εμπορικών σημάτων και του λογότυπου Bluetooth® είναι η εταιρεία Bluetooth SIG, Inc. USA. Η εκμετάλλευση αυτών των σημάτων και του λογότυπου καλύπτεται από την άδεια χρήσεως. Άλλα σήματα και εμπορικές ονομασίες αποτελούν κυριότητα σχετικών ιδιοκτητών.

Σας ευχαριστούμε που αγοράσατε το δικό μας μοντέλο, πριν ξεκινήσετε να χρησιμοποιείτε τη συσκευή, παρακαλούμε να διαβάσετε προσεκτικά τις οδηγίες χρήσης. Κρατήστε αυτές τις οδηγίες χρήσης για μελλοντική αναφορά.

Τοποθεσία στοιχείων ελέγχου



- 1- Πλάκα πικάπ 2- Κεφαλή με βελόνα πικάπ
 3- Επιλογέας λειτουργιών (ενεργοποίηση/απενεργοποίηση, επιλογή τρόπου αναπαραγωγής, έλεγχος έντασης ήχου)
 4- Ενδεικτική λυχνία LED λειτουργίας αναπαραγωγής. (Λευκό χρώμα = λειτουργία αναπαραγωγής βινυλίου, Λευκό που αναβοσβήνει = λειτουργία αναπαραγωγής βινυλίου με μετάδοση σήματος Bluetooth σε μια εξωτερική συσκευή, π.χ. εξωτερικά ενεργά ηχεία, ακουστικά Bluetooth κ.λπ, Μπλε χρώμα = Λειτουργία αναπαραγωγής Bluetooth για εξωτερικές συσκευές - smartphone, tablet, σταθερός υπολογιστής)
 5- Δακτύλιος στερέωσης για τη στερέωση του δίσκου βινυλίου στην πλάκα του πικάπ
 6- Διακόπτης ελέγχου αναπαραγωγής προς τα εμπρός/πίσω 7- Διακόπτης για να επιλέξετε το μέγεθος του δίσκου: 7" ή 12"
 8- Διακόπτης επιλογής ταχύτητας αναπαραγωγής (33 στροφές ανά λεπτό ή 45 στροφές ανά λεπτό)
 9- Κουμπί START/STOP για την έναρξη και τη διακοπή της αναπαραγωγής βινυλίου
 10- Κουμπί UP/DOWN για να χαμηλώσετε και να σηκώσετε τον βραχίονα του πικάπ
 11- Κουμπί για έναρξη της λειτουργίας επανάληψης αναπαραγωγής δίσκου REPEAT
 12- Ενσωματωμένο ηχείο 13- Δακτύλιος κεντραρίσματος δίσκου με μεγάλη οπή
 14- Υποδοχή για αποθήκευση του δακτυλίου κεντραρίσματος και στερέωσης δίσκου
 15- Εξοδος ακουστικών 16- Υποδοχή για παροχή συνεχούς ρεύματος DC 17- Εξοδος ήχου γραμμής RCA

Πριν χρησιμοποιήσετε το πικάπ για πρώτη φορά, αφαιρέστε το καλώδιο ασφαλείας από τον βραχίονα του πικάπ και αφαιρέστε απαλά το διαφανές κάλυμμα προστασίας της βελόνας (βλ. παρακάτω εικόνα). Συνδέστε το παρεχόμενο τροφοδοτικό AC/DC στην πρίζα AC για να αποκτήσετε την παροχή ρεύματος και, στη συνέχεια, συνδέστε το σύνδεσμο του τροφοδοτικού DC στην υποδοχή πρίζα συνεχούς ρεύματος στο πίσω μέρος.

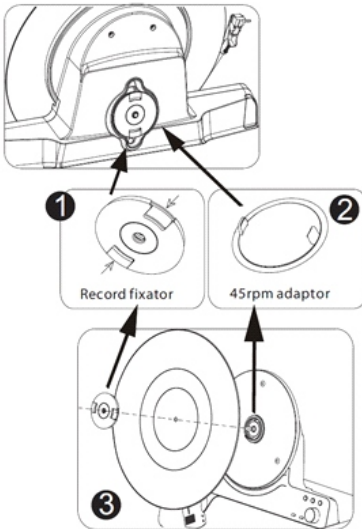


(Αφαιρέστε το διαφανές προστατευτικό κάλυμμα της βελόνας)

Ενεργοποίηση/απενεργοποίηση πικάπ/εναλλαγή λειτουργίας αναπαραγωγής/ρύθμιση έντασης ήχου: Πατήστε και κρατήστε πατημένο το κουμπί λειτουργίας για 3 δευτερόλεπτα για να ενεργοποιήσετε/απενεργοποιήσετε τη μονάδα, πατήστε σύντομα το κουμπί για εναλλαγή της λειτουργίας αναπαραγωγής μεταξύ αναπαραγωγής βινυλίου/μετάδοση σήματος αναπαραγωγής δίσκων βινυλίου μέσω Bluetooth OUT/αναπαραγωγής Bluetooth (Bluetooth IN). Όταν αλλάζει η λειτουργία αναπαραγωγής, εμφανίζεται ένα αντίστοιχο φωνητικό μήνυμα που υποδεικνύει την επιλεγμένη λειτουργία. Γυρίστε το κουμπί για να μειώσετε ή να αυξήσετε την ένταση εξόδου.

Γενικά σχόλια για τους δίσκους βινυλίου:

1. Πριν από την αναπαραγωγή ενός δίσκου βινυλίου, προσπαθήστε να τον καθαρίσετε από τυχόν σωματίδια σκόνης ή σκόνη πάνω του. Χρησιμοποιήστε μια κατάλληλη βούρτσα για να το κάνετε αυτό και, για πιο έντονη βρωμιά, χρησιμοποιήστε ένα ειδικό καθαριστικό βινυλίου. Αυτά τα αξεσουάρ δεν αποτελούν μέρος του κιτ.
2. Ένας βρώμικος και σκονισμένος δίσκος θα έχει σημαντικό αντίκτυπο στην ποιότητα του αναπαραγόμενου ήχου, ο οποίος μπορεί να εκδηλωθεί ως κρότος και μικρή παραμόρφωση.
3. Εάν η επιφάνεια του δίσκου είναι ανώμαλη (ένα συνηθισμένο φαινόμενο στους παλαιότερους δίσκους), αυτό μπορεί να προκαλέσει ταλάντωση του δίσκου κατά την αναπαραγωγή και αλλαγή της διαδρομής του κομματιού, γεγονός που θα επηρεάσει την ποιότητα του ήχου. Σημειώστε ότι αυτό δεν αποτελεί μειονέκτημα του παρόντος πικάπ. Για να το ελαχιστοποιήσετε αυτό, προσπαθήστε να τοποθετήσετε τον δίσκο σωστά στην πλάκα και να τον στερεώσετε καλά με έναν δακτύλιο στερέωσης.



Αναπαραγωγή βινυλίου

Για να αναπαράγετε το δίσκο, ακολουθήστε τα παρακάτω βήματα.

1. Ενεργοποιήστε τη μονάδα, πατήστε σύντομα το κουμπί λειτουργίας (3) για να εισέλθετε στη λειτουργία αναπαραγωγής βινυλίου. Η ενδεικτική λυχνία LED επιλογής λειτουργίας (4) θα ανάψει με λευκό χρώμα και από το μεγάφωνο θα ακουστεί το ηχητικό μήνυμα «VINYL».
2. Πατήστε και κρατήστε πατημένο το αριστερό και το δεξί κουμπί ασφάλισης του δακτυλίου στερέωσης του δίσκου βινυλίου στην πλάκα για να το αφαιρέσετε από τη βάση της στο πίσω μέρος του πικάπ.
3. Τοποθετήστε προσεκτικά τον δίσκο βινυλίου στην πλάκα του πικάπ και, στη συνέχεια, στερεώστε τον στην πικάπ χρησιμοποιώντας τον δακτύλιο στερέωσης, κομπώνοντας τον πάνω στον άξονα που προεξέχει από την κεντρική οπή του δίσκου.
4. Χρησιμοποιήστε τα κουμπιά στον μπροστινό πίνακα για να επιλέξετε το κατάλληλο μέγεθος πλάκας (7) και την ταχύτητα (8).
5. Πατήστε σύντομα το κουμπί START/STOP για να ξεκινήσει η αναπαραγωγή του δίσκου. Ο βραχίονας του πικάπ θα μετακινηθεί αυτόματα στην άκρη του δίσκου για να ξεκινήσει η αναπαραγωγή του πρώτου κομματιού. Πατήστε ξανά αυτό το κουμπί για να σταματήσει την αναπαραγωγή και ο βραχίονας του πικάπ θα επιστρέψει αυτόματα στη βάση στήριξης του βραχίονα.

6. Για να μεταπηδήσετε στο προηγούμενο ή στο επόμενο κομμάτι, μετακινήστε ανάλογα τον διακόπτη ελέγχου αναπαραγωγής προς τα εμπρός/πίσω (6), για να σηκώσετε ή να χαμηλώσετε τον βραχίονα του πικάπ, πατήστε το κουμπί UP/DOWN (10).
7. Πατήστε σύντομα το κουμπί REPEAT (11) για να ενεργοποιήσετε τη λειτουργία επανάληψης της αναπαραγωγής βινυλίου. Η ενδεικτική λυχνία LED (4) θα ανάψει με πράσινο χρώμα. Όταν η μονάδα ολοκληρώσει την αναπαραγωγή του δίσκου, ο βραχίονας μετακινείται αυτόματα και ξεκινά την αναπαραγωγή του δίσκου από την αρχή. Πατήστε ξανά το κουμπί REPEAT (11) για να ακυρώσετε τη λειτουργία επανάληψης.

Αναπαραγωγή δίσκων με μεγάλη κεντρική οπή (συνήθως δίσκοι με ταχύτητα αναπαραγωγής 45 στροφών ανά λεπτό):

Κατά την αναπαραγωγή ενός δίσκου βινυλίου με μεγάλη κεντρική οπή, τοποθετήστε πρώτα τον δακτύλιο κεντραρίσματος, ο οποίος βρίσκεται στη θήκη στο πίσω μέρος του πικάπ, στην εσοχή της πλάκας (στο κεντρικό τμήμα της πλάκας), στη συνέχεια τοποθετήστε τον δίσκο βινυλίου με μεγάλη οπή στην πλάκα και στερεώστε τον δακτύλιο στερέωσης έτσι ώστε οι προεξέχουσες από τον δακτύλιο κεντραρίσματος προεξοχές να ολισθαίνουν στις οπές στο εσωτερικό του δακτυλίου στερέωσης. Ανατρέξτε στην παρακάτω εικόνα για τη λειτουργία αυτή.

Αναπαγωγή δίσκων βινυλίου με μετάδοση σήματος Bluetooth σε εξωτερική συσκευή (Bluetooth OUT): Αυτό το μοντέλο διαθέτει λειτουργία Bluetooth OUT, επιτρέποντας την ασύρματη μετάδοση του ηχητικού σήματος κατά την αναπαγωγή βινυλίου σε εξωτερικές συσκευές, όπως ενεργά ηχεία Bluetooth (π.χ. ηχεία BLAUPUNKT BS60, BS50, BS40 ή άλλα), ακουστικά Bluetooth και άλλα ηχεία με Bluetooth IN. Για να ενεργοποιήσετε τη λειτουργία μετάδοσης ηχητικού σήματος σε μια εξωτερική συσκευή Bluetooth, χρησιμοποιήστε το κουμπί λειτουργίας (3) για να επιλέξετε τη λειτουργία αναπαγωγής δίσκου βινυλίου με μετάδοση σήματος Bluetooth (η ενδεικτική λυχνία led της λειτουργίας αναπαγωγής θα πρέπει να αναβοσβήνει με λευκό χρώμα, υποδεικνύοντας την ετοιμότητα για σύζευξη με μια εξωτερική συσκευή Bluetooth, και ένα ηχητικό μήνυμα - «VINYL STREAM» - θα ακουστεί από το ηχείο). Ενεργοποιήστε την εξωτερική συσκευή Bluetooth και μεταβείτε σε λειτουργία ζεύξης Bluetooth (ελέγξτε τις οδηγίες χρήσης της εξωτερικής συσκευής για λεπτομέρειες), το πικάπ θα ανιχνεύσει αυτόματα και θα συνδεθεί με την εξωτερική συσκευή Bluetooth. Μετά την επιτυχή σύζευξη με μια εξωτερική συσκευή Bluetooth, η ενδεικτική λυχνία led θα σταθεροποιηθεί και θα ανάψει με λευκό χρώμα, και ένα ηχητικό μήνυμα θα ακουστεί από το ηχείο - «CONNECTED». Στη συνέχεια, πατήστε το κουμπί START/STOP (9) για να ξεκινήσει η αναπαγωγή του δίσκου βινυλίου και ο ήχος θα αναπαράγεται μέσω της εξωτερικής συσκευής Bluetooth.

Σημειώσεις:

1. Λάβετε υπόψη ότι σε αυτή τη λειτουργία αναπαγωγής ο έλεγχος της έντασης είναι διαθέσιμος στη συνδεδεμένη εξωτερική συσκευή και όχι σε αυτό το πικάπ.
2. Η βέλτιστη απόσταση λειτουργίας μεταξύ αυτού του πικάπ και μιας εξωτερικής συσκευής Bluetooth είναι 10 μέτρα, χωρίς εμπόδια μεταξύ των συσκευών.

Αναπαγωγή Bluetooth IN

Αυτό το πικάπ διαθέτει λειτουργία Bluetooth που επιτρέπει την ασύρματη αναπαγωγή μουσικής από άλλες συσκευές Bluetooth (π.χ. smartphones, tablet, τηλεοράσεις κ.λπ.) μέσω των ενσωματωμένων ηχείων.

1. Ενεργοποιήστε τη μονάδα και πιέστε το κουμπί λειτουργίας (3) έως ότου η ενδεικτική λυχνία led επιλογής λειτουργίας (4) αναβοσβήνει μπλε και ένα ηχητικό μήνυμα - «BLUETOOTH» - θα ακουστεί από το ηχείο, υποδεικνύοντας ότι η μονάδα είναι έτοιμη για σύζευξη με μια εξωτερική συσκευή Bluetooth.
2. Ενεργοποιήστε τη λειτουργία Bluetooth στην εξωτερική συσκευή Bluetooth και αναζητήστε συσκευές που είναι διαθέσιμες για ζεύξη (ελέγξτε τις οδηγίες χρήσης της εξωτερικής συσκευής) και, στη συνέχεια, ελέγξτε τη διαθέσιμη συσκευή στη λίστα. Επιλέξτε το «BP VT100» για αντιστοίχιση, η ενδεικτική λυχνία led επιλογής λειτουργίας (4) αυτού του πικάπ θα ανάψει σταθερά μετά την επιτυχή αντιστοίχιση και θα ακουστεί ένα ηχητικό μήνυμα από το ηχείο του - «CONNECTED».
3. Επιλέξτε και αναπαράγετε μουσική από μια εξωτερική συσκευή Bluetooth, ρυθμίστε την ένταση του ήχου ανάλογα και στη συνέχεια ο ήχος θα βγαίνει από το ενσωματωμένο ηχείο αυτού του πικάπ.
4. Στη λειτουργία αναπαγωγής Bluetooth, χρησιμοποιήστε μια εξωτερική συσκευή Bluetooth για έλεγχο.

Σημειώσεις:

- a. Δεν είναι εγγυημένο ότι όλες οι συσκευές Bluetooth θα συνδεθούν σωστά λόγω διαφορετικών σχεδίων και εμπορικών σημάτων.
- β. Η καλύτερη απόσταση εργασίας για Bluetooth είναι 10 μέτρα χωρίς εμπόδια μεταξύ συσκευών.
- γ. Η συσκευή μπορεί να συνδεθεί και να λειτουργήσει μόνο με μία συσκευή Bluetooth κάθε φορά.
- δ. Στην περίπτωση εισερχόμενης μουσικής κατά την αναπαγωγή Bluetooth, η μουσική θα διακοπεί προσωρινά και η αναπαγωγή θα συνεχιστεί μετά την ολοκλήρωση της τηλεφωνικής κλήσης.

Γραμμική έξοδος RCA

Το πικάπ διαθέτει μία γραμμική έξοδος RCA, η οποία επιτρέπει την ενσύρματη σύνδεση με εξωτερικό ενεργό ηχείο ή ενισχυτή. Το σήμα στην έξοδο γραμμικής είναι διαθέσιμο κατά την αναπαγωγή δίσκου βινυλίου και σε λειτουργία Bluetooth.

Χρησιμοποιώντας ένα καλώδιο ήχου RCA - RCA (δεν παρέχεται), συνδέστε τη γραμμική έξοδο RCA του πικάπ με τη γραμμική είσοδο RCA της εξωτερικής συσκευής. Στην εξωτερική συσκευή, αλλάξτε την πηγή σε λειτουργία γραμμικής εισόδου και ρυθμίστε το επίπεδο έντασης, επιλέξτε και αναπαράγετε τη μουσική στο πικάπ, τότε ο ήχος θα εμφανιστεί τόσο στο ενσωματωμένο ηχείο του πικάπ όσο και σε μια εξωτερική συσκευή.

Για να απορύγετε την επικάλυψη του ήχου μεταξύ των ενσωματωμένων ηχείων του πικάπ και των εξωτερικών συσκευών που είναι συνδεδεμένες στη γραμμική έξοδο RCA, είναι δυνατή η πλήρης σίγαση του ήχου στα ηχεία του πικάπ με το κουμπί λειτουργίας (3). Το σήμα γραμμικής εξόδου έχει σταθερή στάθμη και η έντασή του μπορεί να ρυθμιστεί με τον ρυθμιστή έντασης της εξωτερικής συσκευής.

Έξοδος ακουστικών: συνδέστε ενσύρματα ακουστικά στην υποδοχή ακουστικών στην πίσω πλευρά του πικάπ. Ο ήχος στα ενσωματωμένα ηχεία θα είναι σιωπηλός και θα είναι διαθέσιμος μόνο με ακουστικά. Ρυθμίστε την ένταση των ακουστικών με το κουμπί λειτουργίας (3).

Χρησιμοποιώντας ένα κατάλληλο καλώδιο, το σήμα από την έξοδο ακουστικών μπορεί επίσης να τροφοδοτηθεί στην είσοδο AUX π.χ. ενός μικρού πύργου, ενεργών ηχείων κ.λπ.

Όταν χρησιμοποιείτε ακουστικά Bluetooth, προτιμούμε να τα συνδέσετε σε λειτουργία αναπαγωγής βινυλίου με μετάδοση σήματος Bluetooth σε μια εξωτερική συσκευή (Bluetooth OUT). Η μέθοδος σύνδεσης περιγράφεται στην προηγούμενη ενότητα των παρόντων οδηγιών χρήσης.

Αλλαγή της βελόνας κεφαλής AT3600L

Η βελόνα μπορεί να αντέξει περίπου 300 ώρες με κανονική χρήση. Συνιστάται να αντικαταστήσετε τη βελόνα αμέσως μόλις παρατηρήσετε αλλαγή στην ποιότητα του ήχου.

1. Αφαίρεση της βελόνας από την κεφαλή

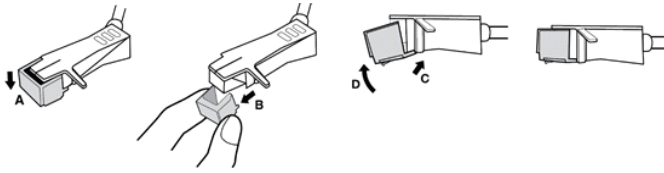
a. Πιάστε απαλά τις πλευρικές της θήκες της βελόνας με τα δάχτυλά σας και μετακινήστε την προς τα κάτω (όπως στην εικόνα «Α»)

b. Τραβήξτε τη βελόνα όπως φαίνεται στην εικόνα «Β».

Προσοχή: Όταν αφαιρείτε τη βελόνα από την κεφαλή, να το κάνετε απαλά. Η χρήση υπερβολικής δύναμης μπορεί να καταστρέψει την κεφαλή ή να σπάσει τη βελόνα.

2. Τοποθέτηση νέας βελόνας στην κεφαλή

- a. Κρατήστε τη θήκη της βελόνας και τοποθετήστε την στην κεφαλή με την κατεύθυνση που φαίνεται στην εικόνα «C».
b. Μετακινήστε τη βελόνα προς τα πάνω, όπως φαίνεται στην εικόνα «D», μέχρι να ασφαλίσει στην κεφαλή.



Προειδοποίηση:

- Αποσυνδέστε το πικάπ από την παροχή ρεύματος πριν αντικαταστήσετε τη βελόνα. Μην αφαιρείτε την ίδια τη βελόνα από τη θήκη και μην την λυγίζετε.
- Αιχμηρές άκρες, μην αγγίζετε τη βελόνα για να αποφύγετε τον τραυματισμό του χεριού σας. Να φυλάσσεται μακριά από παιδιά.



- Συνιστούμε να αναθέσετε την αντικατάσταση της γραφίδας σε έναν έμπειρο ή επαγγελματία τεχνικό.

Αντιμέτωπιση προβλημάτων

- Το πικάπ δεν μπορεί να ενεργοποιηθεί.
 - Ελέγξτε εάν η σύνδεση παροχής ρεύματος είναι σωστή.
 - Δεν υπάρχει ήχος.
 - Δοκιμάστε να ρυθμίσετε το κουμπί έντασης και να ελέγξετε την πηγή αναπαραγωγής.
 - Επικοινωνήστε με το κέντρο τεχνικής βοήθειας για βοήθεια εάν το πρόβλημα παραμένει.
- Παραμόρφωση ήχος.
 - Προσπαθήστε να παίξετε μουσική σε χαμηλότερο επίπεδο έντασης.
 - Προσπαθήστε να καθαρίσετε τον δίσκο βινυλίου και δοκιμάστε ξανά.
- Ο ήχος διακόπτεται στη λειτουργία Bluetooth.
 - Δοκιμάστε να μετακινήσετε τη συσκευή Bluetooth πιο κοντά στο πικάπ.
 - Δοκιμάστε ξανά τη σύζευξη του πικάπ με τη συσκευή Bluetooth.

Προδιαγραφές

Πηγή τροφοδοσίας: DC IN, 9 V/1,5 A
 Ισχύς εξόδου RMS: 2 x 5W, THD10%
 Έκδοση Bluetooth: V5.1
 Εμβέλεια λειτουργίας Bluetooth: περίπου 10 μέτρα
 Συχνότητα μετάδοσης: 2.402~2.480GHz
 Υποστηριζόμενα πρωτόκολλα: A2DP/AVCTP/AVDTP/AVRCP/GAVDP/HFP/HID/OPP/RFCOMM/SPP
 Εκτροπή περιστρεφόμενου δίσκου: αζονική απόκλιση <0,6mm
 Δύναμη πίεσης της κεφαλής: 3,5 g (+/-0,5 g)
 Μοντέλο κεφαλής: AT3600L, μάρκα Audio Technica
 Κατανάλωση ισχύος: 13,5 W
 Κατανάλωση ισχύος σε κατάσταση αναμονής: <0,5W
 (Παρατηρήσεις: οι προδιαγραφές του προϊόντος υπόκεινται σε αλλαγές χωρίς προειδοποίηση.)

HOIATUS**HOIATUS**ELEKTRILÖÖGIOHT
MITTE AVADA**Hoiatus:**

Elektrilöögi ohu vähendamiseks ei tohi seadme katet ega tagumist osa lahti monteerida. Seadmes ei ole kasutajapoolseks iseseisvaks parandamiseks ette nähtud elemente. Seadme hoolduse ja parandamisega tegelevad ainult teeninduse kvalifitseeritud töötajad.

Graafiliste sümbolite selgitus:

Välgunoole sümbol võrdkõlguses kolmnurgas hoiatab kasutajat seadme sees esinevast isoleerimata „ohtlikust pingest“, mis võib saavutada elektrilöögi ohuga ähvardava tugevuse.



Hüüumärk võrdkõlguses kolmnurgas hoiatab kasutajat sellest, et antud hetkel edastatakse seadmega kaasas olevas dokumendis seadme teenindust ja hooldust käsitlevat olulist teavet.

Enne seadme teenindamise alustamist palume käesolev juhend, selle funktsioonidega tutvumiseks ja sihtotstarbeliseks kasutamiseks, läbi lugeda. See tagab seadme kauakestva, riketeta teeninduse ja kasutusrõõmu.

Oluline informatsioon.

- Teenindusjuhend ja ohutust käsitlev teave tuleb edaspidiseks kasutuseks säilitada.
- Ei tohi lasta tekkida olukorral, kui seadmele või selle sisemusse tilgub vesi.
- Samuti ei tohi seadet kasutada niisketes kohtades, nagu nt vannituba.
- Antud seadet ei tohi paigaldada järgnevasse kohtadesse:
- Mis on avatud päikesekiirguse vahetule toimele või radiaatorite lähedusse.
- Asetada muu, soojust eraldava, stereofoonilise varustuse peale.
- Blokeerides ventilatsiooni või tolmusesse kohta.
- Pidevale vibratsioonile allutatud kohtadesse.
- Kõrge niiskustasemega kohtadesse.
- Seadet ei tohi asetada küünalde või avatud tule lähedusse.
- Seadet võib kasutada ainult käesolevas juhendis kirjeldatud viisil.
- Enne toite esimest sisselülitamist tuleb veenduda, et toide oleks õigesti ühendatud.
- USB mälu ühendatakse vahetult või kuni 25 cm pikkuse USB pikendusjuhtmega.

Ohutuse seisukohalt ei tohi korpuseid lahti võtta ega üritada seadme sisemuses tungida. Seadet võivad parandada ainult teeninduse kvalifitseeritud töötajad.

Seadet ei tohi lahti keerata ega selle korpusi avada, sest selles ei ole kasutaja poolt parandatavaid osi. Seadme hoolduse ja parandamisega tegelevad ainult teeninduse kvalifitseeritud töötajad.

OHUTUST KÄSITLEV OLULINE TEAVE

1. Luge da juhend läbi – enne seadme kasutamist alustamist tuleb kogu teenindusjuhend ja ohutust käsitlev teave läbi lugeda.
2. Säilitada juhend – kasutus- ja teenindusjuhend tuleb edaspidiseks kasutuseks säilitada.
3. Järgida hoiatusi – toimida kooskõlas kõikide seadmel paiknevate hoiatuste ja teenindusjuhendiga.
4. Järgida juhiseid – toimida kooskõlas teenindusjuhendi ja kasutajale mõeldud juhistega.
5. Paigaldada – paigaldada seade kooskõlas tootja juhistega.
6. Toiteallikad – seadme toiteks peab kasutama ainult toitekaabli märgistustel antud parameetritega allikaid. Juhul kui kasutaja ei ole kindel kodus oleva toite liigis, peab ta ühendust võtma seadme müüja või kohaliku elektrienergia tarnijaga.
7. Toite maandus ja polaarsus – seade ei pea olema maandatud. Vältimaks tihvtide või klemmide paljastumist veenduda, et pistik oleks võrgupesusa või pikenduse sisestatud lõpuni. Mõned seadme versioonid võivad olla varustatud vahelduvvoolu polaarsete pistikutega (üks tihvt laiem). Selliseid pistikuid võib sisestada võrgupesassa ainult ühel viisil. See on kaitsesfunktsioon. Kui pistikut ei saa pesa sisestada tuleb proovida seda pöörata. Kui pistik ei sobi ka siis pesaga tuleb elektrikut tellida selle väljavahetamine. Polaarset pistikut ei tohi kaitseid eemaldada. Kasutades muud pikendusjuhet või toitekaablit, kui seadmega koos tarnitavat, peavad neil olema asjakohased pistikud ja antud riigis nõutav ohutustunnistus.
8. Toitekaabli kaitse – toitekaabel tuleb vedada nii, et selle peal ei oleks võimalik kõndida, seda suruda või asetatud esemetega vigastada. Pöörata erilist tähelepanu pistikutele, võrgupesadele ja kohtadele, kus kaabel läbi veetakse.
9. Ülekoormamine – seinakontakte, pikendusjuhtmeid ja vargapesasid ei tohi üle koormata, sest see ohustab tulekahju puhkemise või elektrilöögiaga.
10. Ventilatsioon – seadet tuleb korralikult ventileerida. Seadet ei tohi asetada voodile, diivanile või muudele sarnastele pindadele. Seadet ei tohi katta laualinade, salvrätikute, ajalehtede jms.
11. Soojus – mitte asetada seadet soojusallikate, nagu radiaatorid, kiirgurid, ahjud või muud soojust eritavad seadmed (ka võimendid), lähedale. Mitte asetada seadmele põlevaid küünlaid ja muid avatud tule allikaid.
12. Vesi ja niiskus – tulekahju või elektrilöögi ohu vähendamiseks ei tohi seadet vihma, vee ja niiskuse vahetule toimele, nagu nt saunas või vannitoas, allutada. Mitte kasutada käesolevat seadet vee, näiteks vanni, kraanikausi, köögivalamu või pesupali, läheduses, niiskes keldris või basseini juures (või sarnastes kohtades).
13. Esemed ja vedelikud seadmes – läbi seadme avade ei tohi sisse suruda mingeid esemeid, sest need võivad kokku puutuda ohtliku pinge punktidega, mis omakorda võib põhjustada tulekahju või elektrilöögi. Mitte mingil juhul ei tohi seadme pindadele mingeid vedelikke kallata. Seadmele ei tohi asetada vedelikke sisaldavaid esemeid.
14. Puhastamine – enne puhastamist tuleb seade alati võrgupesast lahti ühendada. Köleri ümbrusest võib tolmu eemaldada kuiva lapiga. Kasutades puhastamiseks aerosooli ei tohi pirtsimisvoogu suunata vahetult seadmele vaid lapile. Tuleb jälgida, et ajamiüksused kahjustusi ei saaks.
15. Täiendav varustus – keelatud on kasutada tarvikuid, mis ei ole tootja poolt lubatud, sest võivad osutada ohuallikateks.

16. Tarvikud – seadet ei tohi asetada ebastabiilsele kärule, alusraamile, statiivile, tugialusele või lauale. Seade võib ümber kukkuda ja saada kahjustusi ning vigastada tõsiselt last või täiskasvanut. Kasutada ainult tootja poolt määratud või koos seadmega müüdavaid kärusid, alusraame, statiive, tugialuseid või laudu. Seadme paigaldust tuleb teostada kooskõlas tootja juhistega, kasutades tootja poolt soovitatud paigalduskomplekti.
17. Seadme teistsaldamine – kärule paigutatud seadet tuleb sõidutada väga ettevaatlikult. Äkiline pidurdamine, ülemäärane jõud või ebatasane pind võivad põhjustada käruga ja seadme ümberminekku.
18. Seadme mittekasutamise periood – toitekaabel tuleb äikesetormide ajal või kui seadet pikema aja jooksul ei kasutata võrgupesast lahti ühendada.
19. Teenindus – keelatud on seadme ülevaltust omakäeliselt läbi viia. Avatud katted võivad põhjustada kokkupuudet ohtliku pingega ja osutada ohtlikuks. Seadme hoolduse ja parandamisega tegelevad ainult teeninduse kvalifitseeritud töötajad.
20. Kui seadet ei kasutata, tuleb selle pistik võrgupesast lahti ühendada. Toiteallikaga ühendatuna on seade ooterežiimis ja ei ole täielikult välja lülitatud.
21. Varuosad – osade väljavahetamisel tuleb kontrollida kas teeninduse töötaja on kasutanud tootja poolt soovitatud varuosid või kas osad on originaalosadega identsed. Väljavahetamine kinnitamata osade vastu ohustab tulekahju puhkemise, elektrilöögi ja muude turvariskidega.
22. Peakaitsmed – seadme alaliseks tulekahjuvastaseks kaitseks tuleb kasutada õiget tüüpi ja asjakohaste parameetritega kaitsmeid. Antud pingela kaitsmete parameetrid on märgitud seadmele.
23. Helitegevust ei tohi muusikapala valitse osaku kuulamisel või audio sisendsignaali puudumisel tõsta. Vastasel juhul võib signaali äkiline tugevnemine kõlarit kahjustada.
24. Seadme toiteallikast täieliku lahtiühendamise ainsaks viisiks on toitekaabli toitesepast või seadme eemaldamine. Võrgupesast või toitekaabli seadme sisend peavad toote kasutamise käigus alati juurdepääsetavad olema.
25. Seade tuleb paigutada võrgupesast või pikendusjuhtme lähedusse nii, et need oleks alati juurdepääsetavad.
26. Seade keskonna maksimaalne temperatuur võib olla kuni 35°C.
27. Elektrostaatilisest laadusest puudutavad juhised – kui seadme töö on häiritud elektrostaatilisest laadusest tuleb see välja lülitada ja seejärel uuesti sisse lülitada või teise kohta ümber tõsta.
28. Patareid
- a. Patareid ei tohi allutada ülemäärase soojuse, nagu nt päikesekiired, tuli jms, toimele.
- b. Patareide utiliseerimisel tuleb pöörata tähelepanu keskkonnakaitse aspektidele.
- c. Patareide kasutamist puudutav hoiatus: patareidel ei tohi lasta kuluda kuni lekkimiseni, mis võib põhjustada kehavigastusi ja seadme kahjustusi:
- Patareide sisestamisel pöörata tähelepanu nende polaarusele (+ ja -).
 - Ei tohi kasutada samaaegselt erinevaid patareid — vanu ja uusi, standardseid ja alkaalipatareid, jne.
 - Kui seadet pikema aja jooksul ei kasutata, tuleb patareid välja võtta.

HOIATUS

Seadet ei tohi kasutada piiratud füüsiliste, sensoorsete ja psüühiliste võimete või seadmega töötamise kogemusi või teadmisi mitte omavad inimesed (sealhulgas lapsed), kui nad ei viibi nende ohtu eest vastutavate isikute järelevalve all või kui neid ei ole seadme ohutu kasutamise teemal instrueeritud. Kui seadet teenindavad lapsed, on nõutav täiskasvanute kohaolek; see võimaldab tagada seadme ohutu kasutuse.

1. Keelatud on töötav seadet järelvalveta jätta! Kui seadet isegi lühikese aja jooksul ei kasutata, tuleb see välja lülitada.
2. Seadet ei tohi teenindada taimeriga välise kella vahendusel ega eraldiastseva kaugjuhtimisega süsteemi abil.
3. Toitejuhtme kahjustuste korral ohtude vältimiseks peab väljavahetamist teostama tootja, autoriseeritud teeninduspunkt või muu, asjakohast kvalifikatsiooni omav isik.
4. Enne seadme teenindamise juurde asumist tuleb veenduda, et selle pinge vastab kohalikus toitevõrgus esinevale pingele.
5. Seadme ventilatsioonivõime ei tohi kinni katta, nt ajalehtede, lauajala, kardinatega, jms. Tuleb veenduda, et seadme kohal on vähemalt 20 cm vaba ruumi ja sellel igal küljel — vähemalt 5 cm.
6. Ei tohi lasta tekkida olukorral kui seadmele või selle sisemusse tilgub või voolab vedelik ega tohi sellele asetada vedelikega täidetud esemeid, selliseid nagu vaasid.
7. Tulekahju või elektrilöögi vältimiseks tuleb seadet kaitsta kuumade kohtade, vihma, niiskuse ja tolmu toime eest.
8. Seadet ei tohi paigutada mingite veeallikate, nt kraanide, vannide, pesumasinate või ujumisbasseinide lähedusse. Seade tuleb asetada tasasele ja stabiilsele aluspinnale.
9. Seadet ei tohi allutada tugevate magnetväljade toimele.
10. Vahetult võimendile või vastuvõtjale seadet asetada ei tohi.
11. Seadet ei tohi viia niiskesse kohta, sest niiskusel on elektrilistele allüksustele kahjulik mõju.
12. Peale seadme külmast sooja või niiskesse kohta toomist võib mönigi aja sees oleval laatesele tekkida niiskuse kondensatsioon. Sellises olukorras seade korralikult tööle ei hakka. Niiskuse aurumise vältimiseks tuleb sisselülitatud seade jätta umbes tunniks ajaks seisma.
13. Seadet ei tohi puhastada keemiliste lahustitega, sest need võivad kahjustada korpuse lakikihti. Seadet pühitakse puhta, kuiva või vähesel määral niisutatud lapiga.
14. Pistiku seinakontaktist eemaldamisel tuleb alati tõmmata pistikut, mitte aga toitekaablit.
15. Kui sisselülitatud seadet kasutatakse sisselülitatud teleri läheduses võib see osutada ekraanil joontena nähtavate häirete allikaks. Sõltub TV ülekande laineribast. See ei tähenda aga ei seadme ega teleri väärat töötamist. Selliste häirete ilmumisel tuleb seade telerist eemale nihutada.
16. Võrgupistikut kasutatakse toitepinge lahtiühendamiseks ja see peab alati juurdepääsetav olema.
17. Võimalike kuulmiskahjustuste vältimiseks ei tohi muusikat pikemat aega valjult kuulata.



TÄHELEPANU



Deklaratsioon

Blaupunkt Competence Center 2N-Everpol Sp. z o.o. teavitab käesolevaga, et seade vastab direktiivi 2014/53 / EL nõuetele ja selle muudele asjakohastele sätetele. Täielik vastavusdeklaratsioon asub leheküljel www.blaupunkt.com toote järjehoidjas.

Vastutav ettevõtte: 2N-Everpol Sp. z o.o.

Puławska 403A, 02-801 Varssavi, Poola

Telefon: +48 22 688 08 00, e-mail: info@everpol.pl



Toode on toodetud kõrgkvaliteetsetest taastootmisesse suunatavatest ja taaskasutatavatest materjalidest ning allüksustest.



Kui teie seadmel on läbikriipsutatud prügikasti silt, tähendab see, et toode on hõlmatud Euroopa direktiivi 2012/19/EL sätetega. Sellest lähtuvalt järgige kohalikke eeskirju ja tutvuge kohaliku elektri- ja elektroonikajäätmete kogumissüsteemi nõuetega ning järgige neid selle toote puhul.

ÄRGE KASUTAGE SEDA TOODET KOOS OLMEJÄÄTETEGA!

SEE TOODE SISALDAB OHTLIKKE AINEID, SEGUSID JA KOOSTISAINEID, MIS VÕIB LOATAMATA OLLA VÕIMALIKUTE MÕJUTE ALLIKAKS LOODUSKESKCONNALE JA INIMESE TERVISELE!

Kasutatud toote õige utiliseerimine hoiab ära negatiivsed mõjud keskkonnale ja inimeste tervisele.



Seade on varustatud Euroopa direktiiviga 2006/66/EC hõlmatud patareidega. Patareide äraviskamine koos kodumajapidamisjäätmetega on keelatud. Tutvuda patareide eraldiasetsevalt kogumist käsitlevate kohalike eeskirjadega, sest õige utiliseerimine väldib potentsiaalseid looduskeskonnale ja inimeste tervisele kahju tekitavaid tagajärgi.

Looduskeskonna kaitset käsitlev teave

Pakend sisaldab ainult vajalikke elemente. Tehtud on kõik endast olenev, et kolm koostismaterjali oleks hõlpsasti eraldatavad: papp (kast), polüstüreenvaht (seesmine kaitse) ja polüetüleen (kotid, kaitsepoogen). Toode on toodetud materjalidest, mida saab suunata taastootmisesse ja peale nende eriotstarbelise ettevõtte poolt demonteerimist, uuesti kasutada. Järgida pakendmaterjalide, patareide ja kasutatud seadmete utiliseerimist käsitlevaid kohalikke ettekirjutusi. Materjalide salvestamiseks ja esitamiseks võib vaja minna nõusolekut. Tutvuge autoriõiguse ja esinejate/kunstnike õiguste seadusega.

ERP2 (elektrienergiaga seotud seadmed) puudutav märkus

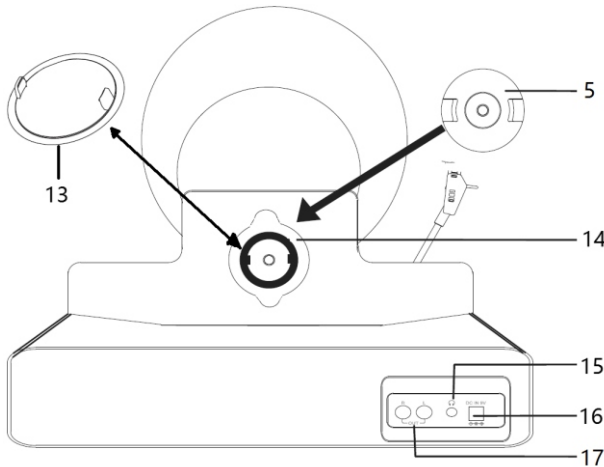
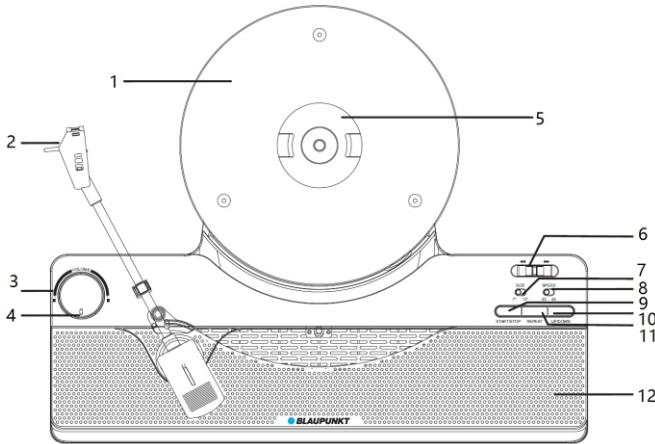
Käeolev ökoprojektiga seade vastab vastab ökoprojektide nõudeid käsitleva KOMISJONI (EÜ) MÄÄRUSE nr 1275/2008 kontori- ja kodukasutuseks mõeldud seadmete väljalülitatuna ja ooterežiimis energiatarbimist puudutava direktiivi 2009/125/WE jõustava 2. etapi nõuetele.



Kaubamärgi ja logo Bluetooth® omanik on ettevõtte Bluetooth SIG, Inc. USA. Asjaomaste kaubamärkide ja logo kasutamine on litsentseeritud. Muud märgid ja kaubanimed kuuluvad asjakohastele omanikele.

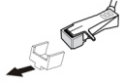
Täname meie mudeli valimise eest, palume enne seadme kasutamise alustamist käesolev juhend hoolikalt läbi lugeda ja sellega tutvuda. Palume säilitada juhend tulevikus kasutamiseks.

Juhtelementide asetus



- | | |
|--|---|
| 1- Plaadimängija plaaditaldrik | 2- Plaadimängija helipea nõelaga |
| 3- Funktsiooninupp (sisse/välja lülitamine, esitusrežiimi valik, helitugevuse reguleerimine) | |
| 4- Esitusrežiimi LED-näidik. (Valge värv = vinüülplaadi mängimise režiim; Vilkuv valge värv = vinüülplaadi mängimise režiim koos Bluetooth signaali edastamisega välisesse seadmesse, nt välised aktiivkõlarid, Bluetooth-kõrvaklapid jne; Sinine värv = välisele seadmele (nutitelefon, tahvelarvuti, arvuti) Bluetooth esituse režiim) | |
| 5- Kinnitusrõngas vinüülplaadi kinnitamiseks plaadimängija plaaditaldrikule | |
| 6- Edasi/tagasi mängimise kontroll-lüliti | 7- Plaadi suuruse valimise lüliti: 7" või 12" |
| 8- Esituskiiruse valimise lüliti (33 p/m või 45 p/m) | |
| 9- Nupp START/STOP vinüülplaadi mängimise alustamiseks ja peatamiseks | |
| 10- Nupp UP/DOWN plaadimängija helikäpa langetamiseks ja tõstmiseks | |
| 11- Nupp REPEAT plaadi kordusesituse funktsiooni käivitamiseks | |
| 12- Sisseehitatud kõlar | 13- Suure auguga plaadi adapter |
| 15- Kõrvaklappide väljund | 16- Alalisvoolu toitepesa |
| | 14- Adapteri ja plaadi kinnitusrõnga hoidja |
| | 17- RCA liiniväljund |

Enne plaadimängija esmakordset kasutamist eemaldage kaitsejuhe plaadimängija helikäpast ja ettevaatlikult nõela läbipaistev kaitsekate (vt allolevat pilti). Toite saamiseks ühendage kaasasolev AC/DC toiteplokk kodusesse AC pessa, seejärel ühendage toiteploki DC ühendus tagapaneelil asuvasse DC toitepessa.

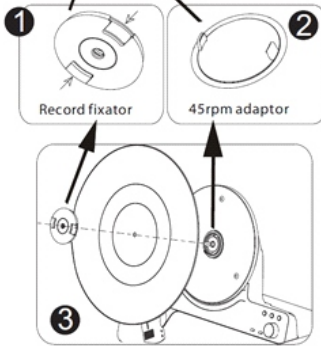
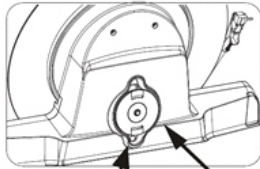


(Eemaldage nõela läbipaistev kaitsekate)

Plaadimängija sisse/väljalülitamine/mängimise režiimi ümberlülitamine/helitugevuse reguleerimine: seadme sisse/välja lülitamiseks vajutage ja hoidke funktsiooninuppu 3 sekundit all; mängimise režiimi vinüülplaadi esitus / Bluetooth OUT / Bluetooth esituse (Bluetooth IN) vahel ümberlülitamiseks vajutage lühidalt nuppu. Mängimise režiimi ümberlülitamisel ilmub valitud režiimist teavitav asjakohane heliteade. Keerake nuppu väljundhelitugevuse vähendamiseks või suurendamiseks.

Üldine teave vinüülplaatidest:

1. Enne vinüülplaadi mängimist püüdke see prügiosakestest või tolmust puhastada. Kasutage selleks sobivat harja ja suurema mustuse korral spetsiaalset vinüülplaatide puhastusvahendit. See tarvikud komplekti ei kuulu.
2. Määratud ja tolmune plaat võib esitava heli kvaliteeti raginate ning väikeste moonutuste näol oluliselt mõjutada.
3. Kui plaadi pind on ebaühtlane (sageli vanemate plaatide puhul), võib see mängimise ajal plaadi võnkumist põhjustada ja rada muuta, mis avaldab mõju heli kvaliteedile. Pidada meeles, et see ei ole käesoleva plaadimängija puudus. Selle nähtuse minimeerimiseks püüdke plaat korralikult plaaditaldrikule asetada ja see kinnitusrõngaga hästi kinnitada.



Vinüülplaatide mängimine

Plaadi mängimiseks teostage alljärgnevad toimingud.

1. Lülitage seade sisse, vajutage vinüülplaatide mängimise režiimi minekuks lühidalt funktsiooninuppu (3). Režiimi valiku LED-näidik (4) süttib valgelt ja kõlarist kostub heliteade „VINYL“.
2. Vinüülplaadi kinnitusrõnga plaadimängija tagapaneelil olevast helipeast eemaldamiseks vajutage ning hoidke all selle vasakut ja paremat lukustusnuppu
3. Asetage vinüülplaat ettevaatlikult plaadimängija plaaditaldrikule, seejärel kinnitage plaat kinnitusrõngaga plaaditaldriku külge, lukustades selle plaadi keskaugust väljaulatuvale spindlile.
4. Plaadile sobiva suuruse (7) ja kiiruse (8) valimiseks kasutage esipaneelil asuvaid nuppe.
5. Plaadi mängimise alustamiseks vajutage lühidalt nuppu START/STOP. Plaadimängija helikäpp liigub esimese loo mängimise alustamiseks automaatselt plaadi servale. Mängimise peatamiseks vajutage seda nuppu uuesti ja plaadimängija helikäpp pöördub automaatselt tagasi helikäpa hoidikusse.
6. Eelmise või järgmise pala juurde üleminekuks liigutage vastavalt edasi/tagasi mängimise kontroll-lülitit (6); plaadimängija helikäpa tõstmiseks või langetamiseks vajutage nuppu UP/DOWN (10).
7. Vinüülplaadi mängimise kordusfunktsiooni aktiveerimiseks vajutage lühidalt nuppu REPEAT (11). LED-näidik (4) süttib roheliselt. Kui seade lõpetab plaadi mängimise, liigub helikäpp automaatselt tagasi ja alustab plaadi mängimist algusest. Kordusfunktsiooni tühistamiseks vajutage uuesti nuppu REPEAT (11).

Suure keskauguga plaatide (tavaliselt plaadid esituskiirusega 45 p/m) mängimine: Suure keskauguga vinüülplaadi mängimisel asetage plaadimängija tagapaneelil asuv helipeas asuv adapter kõigepealt plaaditaldriku väljaulatuse (selle keskosas), seejärel asetage sellele suva auguga vinüülplaat ja kinnitage kinnitusrõngaga nii, et adapterist väljaulatuvad kõrvad sisenevad kinnitusrõnga siseküljel olevatesse avadesse. Tutvuge seda toimingut kujutava joonisega allpool.

Vinüülplaatide mängimine Bluetooth-signaali edastamisega välisesse seadmesse (Bluetooth OUT): Sellel mudelil on Bluetooth OUT funktsioon, mis võimaldab vinüülplaadi mängimise ajal audiosignaali juhtmevaba edastamist välisesse seadmesse, nagu Bluetooth aktiivkõlarid (nt riulikõlarid BLAUPUNKT BS60, BS50, BS40 või muud), Bluetooth-kõrvaklapid ja teised Bluetooth IN mooduliga kõlarid. Välisesse Bluetooth-seadmesse audiosignaali edastamise funktsiooni aktiveerimiseks valige funktsiooninupu (3) abil Bluetooth-signaali edastamisega vinüülplaadi mängimise režiim (režiimi LED-näidik peab vilkuma valgelt, mis näitab valmisolekut välise Bluetooth-seadmega paarimiseks ja kõlarist kostub heliteade „VINYL STREAM“). Lülitage väline Bluetooth-seade sisse ja seadke ümber Bluetooth paarimise režiimi (üksikasju vaadake välise seadme kasutusjuhendist), käesolev plaadimängija tuvastab automaatselt välise Bluetooth-seadme ning ühendub sellega. Pärast välise Bluetooth-seadmega edukat paarimist LED-näidik stabiliseerub ja jääb valgelt põlema ning kõlarist kostub heliteade „CONNECTED“. Seejärel vajutage vinüülplaadi mängimise käivitamiseks nuppu START/STOP (9) ja heli esitatakse välise Bluetooth-seadme kaudu.

Märkused:

1. Pidage meeles, et selles mängimise režiimis on helitugevuse reguleerimine võimalik ühendatud välises seadmes, aga mitte käesolevas plaadimängijas.
2. Käesoleva plaadimängija ja välise Bluetooth-seadme vaheline optimaalne töökaugus on 10 meetrit, ilma seadmete vaheliste takistusteta.

Bluetooth IN esitus

Käesoleval plaadimängijal on Bluetooth-funktsioon, mis võimaldab sisseehitatud kõlarite kaudu muusika juhtmevaba esitamist teistest Bluetooth-seadmetest (nt nutitelefoni, tahvelarvutid, telerid jne).

1. Lülitage seade sisse ja vajutage funktsiooninuppu (3) kuni režiimi valiku LED-näidik (4) hakkab siniselt vilkuma ning kõlarist kostub heliteade „BLUETOOTH“, mis näitab, et seade on välise Bluetooth-seadmega paarimiseks valmis.
2. Lülitage sisse välise Bluetooth-seadme Bluetooth-funktsioon ja leidke paarimiseks saadaolevad seadmed (vaadake välise seadme kasutusjuhendit), seejärel leidke nimekirjas saadaolev Bluetooth-seade. Valige paarimiseks „BP VT100“, käesoleva plaadimängija režiimi valiku LED-näidik (4) jääb pärast edukat paarimist stabiilselt põlema ja selle kõlarist kostub heliteade - „CONNECTED“.
3. Valige ja mängige muusika väliselt Bluetooth-seadmelt, reguleerige asjakohaselt helitugevuse tase, ning seejärel hakkab heli kõlama käesoleva plaadimängija sisseehitatud kõlarist.
4. Bluetooth esitusrežiimis kasutage juhtimiseks välist Bluetooth-seadet.

Märkused:

- a. Erinevate konstruktsioonide ja kaubamärkide tõttu ei ole kõigi Bluetooth-seadmete õigesti paarimine tagatud.
- b. Bluetooth parim tööolatus on seadmete vaheliste tõkete puudumisel 10 meetrit.
- c. Seade on paaritav ja võib töötada korraga ainult ühe Bluetooth-seadmega.
- d. Bluetooth esituse ajal sissetuleva ühenduse korral; muusika peatub hetkeks ja taastab esitamise pärast telefoniühenduse lõppemist.

RCA liiniväljund

Plaadimängijal on üks RCA liiniväljund, mis võimaldab juhtmeühendust välise aktiivkõlari või võimendiga. Liiniväljundi signaal on saadaval vinüülplaadi mängimise ajal ja Bluetooth-režiimis.

Ühendage plaadimängija RCA liiniväljund RCA - RCA audiojuhtmega (ei ole kaasas) välise seadme RCA liinisendisega; Lülitage välise seadme allikas liinisisendi režiimi ja reguleerige helitugevuse tase; valige ja mängige muusikat plaadimängijal, seejärel kostub heli nii plaadimängija sisseehitatud kõlaris kui ka välises seadmes.

Vältimaks plaadimängija sisseehitatud kõlaritest ja RCA liiniväljundile ühendatud välistest seadmetest kõlava heli kattumist on plaadimängija kõlarite heli võimalik funktsiooninupu (3) abil täielikult vaigistada. Liiniväljundi signaali tase on fikseeritud ja selle helitugevust saab reguleerida välise seadme helitugevuse reguleerija abil.

Kõrvaklappide väljund: ühendage juhtmega kõrvaklapid plaadimängija tagaküljel asuvasse kõrvaklapi pesasse. Heli sisseehitatud kõlarites vaigistatakse ja see on saadaval ainult kõrvaklappides. Reguleerige kõrvaklappide helitugevuse taset funktsiooninupu (3) abil.

Asjakohase juhtme abil saab kõrvaklapi väljundi signaali viia ka näiteks mikrofoni, aktiivkõlarite jne AUX-sisendisse. Bluetooth-kõrvaklappide kasutamisel soovitame need ühendada välisesse seadmesse (Bluetooth OUT) Bluetooth-signaali edastamisega vinüülplaadi mängimise režiimis. Ühendusviis on kirjeldatud käesoleva juhendi eelmises osas.

AT3600L helipea nõela vahetamine

Tavapärase kasutamise korral võib nõel vastu pidada umbes 300 tundi. Soovitatav on vahetada nõel kohe, kui märkate muutusi helikvaliteedis.

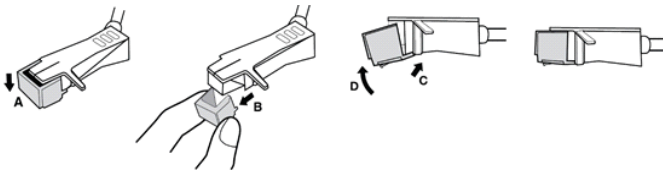
1. Nõela eemaldamine helipeast

- a. Võtke sõrmedega ettevaatlikult kinni nõela korpuse külgedest ja liigutage seda allapoole (nagu joonisel „A“)
- b. Tõmmake nõel välja, nagu on näidatud joonisel „B“.

Tähelepanu: Nõela helipeast eemaldamisel tuleb seda teha ettevaatlikult. Ülemäärase jõu kasutamisel võib helipea kahju saada või nõel puruneda.

2. Uue nõela helipeasse paigaldamine

- a. Hoidke nõela korpusest kinni ja sisestage see helipeasse joonisel „C“ näidatud suunas.
- b. Liigutage nõela ülespoole, nagu on näidatud joonisel „D“, kuni see helipeas lukustub.



Hoiatus:

1. Enne nõela vahetamist ühendage plaadimängija toitest lahti. Ärge nõela ennast korpusest eemaldage ega seda painutage.
2. Teravad servad, käe vigastamise vältimiseks ärge nõela puudutage. Hoidke lastele kättesaamatus kohas.



3. Soovitame pliiaatsi väljavahetamine usaldada kogenud või professionaalsele hooldustehnikule.

Probleemide lahendamine

1. Plaadimängijat ei saa sisse lülitada.
 - a. Kontrolli kas toide on õigesti ühendatud.
2. Puudub heli.
 - a. Proovige reguleerida helitugevuse nuppu ja kontrollida esituse allikat.
 - b. Probleemi jätkuva esinemise korral võtke abi saamiseks ühendust teeninduskeskusega.
3. Heli on moonutatud.
 - a. Proovi esitada muusikat madalamal helitugevuse tasemel.
 - b. Proovige vinüülplaati puhastada ja üritage uuesti.
4. Bluetooth-režiimis esinevad helikatkestused.
 - a. Proovige Bluetooth-seade plaadimängijale lähemale asetada.
 - b. Proovige plaadimängija Bluetooth-seadmega uuesti ühendada.

Spetsifikatsioon

Toiteallikas: DC IN, 9V/1,5A
RMS väljundvõimsus: 2 x 5W, THD10%
Bluetooth versioon: V5.1
Bluetoothi mooduli tööulatus: umbes 10 meetrit
Ülekande sagedus: 2,402~2,480GHz
Toetatud protokollid: A2DP/AVCTP/AVDTP/AVRCP/GAVDP/HFP/HID/OPP/RFCOMM/SPP
Plaadimängija pöörete kõrvalekalle: aksiaallõtk <0,6mm
Helipea survejõud: 3,5g (+/0,5g)
Helipea mudel: AT3600L, kaubamärk Audio Technica
Võimsustarbimine: 13,5 W
Võimsustarbimine ooterežiimis: <0,5 W
(Toote spetsifikatsioon võib ilma eelneva hoiatamiseta muudatustele alluda).

SVARBIOS SAUGOS INSTRUKCIJOS
**ELEKTROS SMŪGIO GRĖSMĖ
DRAUŽIAMA ATIDARYTI**
Įspėjimas:

Kad sumažintumėte elektros smūgio riziką, draudžiama išmontuoti įrenginio dangtelį ar galinę dalį. Įrenginyje nėra komponentų skirtų vartotojui savarankiškai taisyti. Techninė priežiūra ir remontas aptarnaujami tik kvalifikuoto techninio personalo.

Grafinių simbolių paaiškinimas:

Zaibo simbolis užbaigtas rodykle lygiakraščiame trikampyje įspėja vartotoją apie neizoliuotą "pavojingą įtampą" esančią įrenginio korpusu, kuri gali pasiekti dydį sukeltą elektros smūgio pavojų.



Šauktuko ženklas lygiakraščiame trikampyje įspėja vartotoją, kad šiame punkte pateikiama svarbi informacija apie įrangos veikimą ir techninę priežiūrą dokumentuose pateikiamuose su įrenginiu.

Prašome perskaityti šias instrukcijas prieš pradėdami įrenginio naudojimą, kad susipažinti su jo funkcijomis ir naudoti jį taip, kaip numatyta. Tai užtikrins ilgalaikį įrenginio veikimą be gedimų ir jo naudojimo malonumą.

Svarbi informacija

- Privaloma išsaugoti šias naudojimo instrukcijas ir saugos informaciją būsimam naudojimui.
- Neleiskite skysčiams lašėti ar išsilieti ant įrenginio.
- Draudžiama taip pat naudoti jį drėgnose vietose, pvz. vonios kambaryje.
- Draudžiama įrengti šį įrenginį tokiose vietose:
- Vietos neapsaugotos nuo tiesioginių saulės spindulių ar šalia radiatorių.
- Dėti jį ant viršaus kitos stereofoninės įrangos, kuri išleidžia šilumą.
- Blokuojant ventiliaciją arba dulkėtoje vietoje.
- Vietose, kuriose vyksta nuolatinė vibracija.
- Vietose, kur yra didelė drėgmė.
- Draudžiama dėti įrenginį arti žvakių ar atviros liepsnos.
- Įrenginys gali būti naudojamas tik šiame vadove aprašytu būdu.
- Prieš įjungdami maitinimą pirmą kartą, įsitikinkite, kad srovės adapteris yra tinkamai prijungtas.
- USB atmintinė jungiami tiesiogiai arba su USB pratęsimo laidu iki 25 cm ilgio.

Dėl saugumo priežasčių, draudžiamas gaubūtų išmontavimas bei įrenginio vidaus atskleidimas. Įrenginio remontas turėtų būti aptarnaujamas kvalifikuoto techninio personalo.

Draudžiama ardyti įrenginį bei atidarinėti jo korpusą, nes jo viduje nėra jokių dalių, kurias galėtų naudotojas pataisyti. Techninė priežiūra ir remontas aptarnaujami tik kvalifikuoto techninio personalo.

SAUGOS INSTRUKCIJOS

1. Perskaitykite instrukcijas – prieš naudodami įrenginį perskaitykite visą naudojimo instrukciją ir saugos informaciją.
2. Išsaugokite instrukcijas – privaloma išsaugoti naudojimo ir valdymo instrukcijas būsimam naudojimui.
3. Laikykitės įspėjimų – privaloma laikytis visų prietaiso įspėjimų pateiktų ant įrenginio ir vadovautis naudojimo instrukcijomis.
4. Laikykitės instrukcijų – privaloma vadovautis naudojimo instrukcijomis bei nurodymais vartotojų.
5. Diegimas – nustatykite įrenginį pagal gamintojo instrukcijas.
6. Maitinimo šaltiniai – įrenginys turi būti maitinamas tik iš šaltinių, kurių parametrai nurodyti maitinimo laido žymenyse. Jei vartotojas nėra tikras, kokios energijos tipą turi namuose, turėtų susisiekti su savo įrenginio platintoju arba vietiniu elektros energijos tiekėju.
7. Maitinimo šaltinio įžeminimas arba polarizacija – įrenginys neturi būti įžemintas. Privaloma įsitikinti, kad kištukas yra visiškai įdėtas į elektros tinklo lizdą arba pratęsimo laidą, kad išvengtų kaiščių ar kontaktų ekspozicijos. Kai kuriose įrenginio versijose gali būti polarizuotas kintamosios srovės maitinimo kaiščių (su vienu platesniu kaiščiu). Šis kištukas gali būti įjungtas į elektros tinklo lizdą tik vienu būdu. Tai apsaugos funkcija. Jei negalite įkišti kištuko į lizdą, pabandykite jį apsukti. Jei kištukas vis dar netelpa į lizdą, elektrikas turėtų jį pakeisti. Draudžiama nuimti apsaugos priemonės nuo polarizuoto kištuko. Jeigu naudojamas pratęsimo laidas ar maitinimo laidas kitokie nei pateikti kartu su įrenginiu, jie turėtų turėti tinkamus kištukus ir saugos sertifikatus reikalaujamas tam tikroje šalyje.
8. Maitinimo laido apsaugos priemonės – maitinimo kabeliai turi būti nuvesti taip, kad po juos negalėtų vaikščioti, jų prispausti ar prikirsti padėtais objektais. Atkreipkite ypatingą dėmesį į kištukus, maitinimo lizdus ir vietas, kuriose laidai išvesti iš įrenginio.
9. Perkrovimas – draudžiama perkrauti sieninius lizdus, pratęsimo lizdus ir elektros skirstytuvus, nes tai gali sukelti gaisrą arba elektros smūgį.
10. Vėdinimas – įrenginys turi būti tinkamai vėdinamas. Draudžiama dėti įrenginį ant lovos, sofos ar ant panašių paviršių. Draudžiama pridengti įrenginį staltiesėmis, servetėlėmis, laikraščiais ir pan.
11. Šiluma – nedėkite įrenginio arti šilumos šaltinių, tokių kaip šildytuvai, radiatoriai, krosnys ar kiti prietaisai (įskaitant stipriklus), kurie gamina šilumą. Nedėkite ant įrenginio uždegtų žvakių ar kitokių atviros ugnies šaltinių.
12. Vanduo ir drėgmė – norėdami sumažinti gaisro ar elektros smūgio pavojų, saugokite įrenginį nuo tiesioginio lietaus, vandens ir drėgmės poveikio, tokio kaip pvz. saunoje ar vonioje. Nenaudokite šio įrenginio šalia vandens, pavyzdžiui, prie vonios, kriauklės, virtuvės ar kubelio, šlapiame rūsyje arba prie baseino (ar panašiose vietose).
13. Objektai ir skysčiai įrenginyje – draudžiama kišti bet kokius daiktus per įrenginio angas, nes jie gali liestis su pavojingomis įtampomis taškais ir komponentais, dėl ko gali kilti gaisras arba įvykti elektros smūgis. Griežtai draudžiama išpilti bet kokius skysčius ant įrenginio paviršiaus. Draudžiama dėti ant įrenginio viršaus objektus, kuriuose yra skysčių.

14. Valymas – prieš valydamis visada išjunkite įrenginį iš elektros tinklo lizdo. Dulkes aplink garsiakalbį galima nuvalyti sausu skudurėliu. Jei valymui naudojamas aerosolis, nepartartina kreipti purškimo srauto tiesiai į prietaisą, bet ant skudurėlio. Būkite atsargūs, kad nesugadintumėte pavaro įtaisus.
15. Papildoma įranga – draudžiama naudoti priedus, kurie nėra patvirtinti gamintojo, nes jie gali kelti pavojų.
16. Priedai – draudžiama statyti įrenginį ant nestabilius vežimėlio, stovo, trikojo, atramos ar stalo. Prietaisas gali apsvirsti ir susigadinti, bei sunkiai sužeisti vaiką ar suaugusį asmenį. Privaloma naudoti tik gamintojo nurodytus vežimėlius, stovus, trikojus, atramas ar stalus arba paruošdamos kartu su įrenginiu. Įrenginio surinkimą privaloma atlikti pagal gamintojo instrukcijas naudodami gamintojo rekomenduojamą surinkimo komplektą.
17. Prietaiso perkėlimas – ant vežimėlio padėti įrenginį būtina stumti labai atsargiai. Staigus stabdymas, per didelė jėga arba netolygūs paviršiai gali sukelti vežimėlio išsivertimą kartu su įrenginiu.
18. Įrenginio nenaudojimo laikas – atjunkite maitinimo laidą nuo elektros lizdo audros su žaibais metu arba jeigu įrenginys nebus naudojamas ilgą laiką.
19. Techninis aptarnavimas – draudžiama savarankiškai bandyti asmeniškai naršyti įrenginį. Dangčio atidarymas gali sukelti kontaktą su pavojinga įtampa ir sukelti vartotojui kitus pavojus. Techninė priežiūra ir remontas aptarnaujami tik kvalifikuoto techninio personalo.
20. Kai įrenginys nenaudojamas, atjunkite jo maitinimo kištuką nuo elektros lizdo. Kai prietaisas prijungtas prie maitinimo šaltinio, jis veikia budėjimo režime ir nėra visiškai išjungtas.
21. Atsarginės dalys – keičiant dalis, įsitikinkite, kad techninės priežiūros darbuotojas panaudojo gamintojo rekomenduotas atsargines dalis arba kad dalys yra identiškos originalioms dalims. Nepatvirtintų dalių panaudojimas sukelia gaisro, elektros smūgio pavojų ar kitus pavojus.
22. Pagrindiniai saugikliai – kad prietaisas būtų nuolat apsaugotas nuo gaisro, naudokite tinkamo tipo ir parametrų saugiklius. Saugiklių parametrai tam tikrame įtampos diapazone yra pažymėti ant įrenginio.
23. Draudžiama didinti garsumą klausydami nedidelio garsumo kūrinio dalies arba nesant įvesties audio signalui. Kitaip garsiakalbis gali sugesti jei signalo stiprumas sparčiai padidėja.
24. Vienintelis būdas visiškai atjungti įrenginį nuo maitinimo šaltinio tai ištraukti maitinimo laidą iš elektros srovės lizdo arba iš įrenginio. Naudojant įrenginį, visada turi būti prieinamas elektros tinklo lizdas arba maitinimo laido įėjimas į įrenginį.
25. Įrenginys turi būti dedamas šalia maitinimo tinklo lizdo arba pratęsimo laido taip, kad jis visada būtų prieinamas.
26. Didžiausia įrenginio aplinkos temperatūra tai 35°C.
27. Patarimai dėl elektrostatinių iškrovų – jei prietaiso veiksmingumas yra veikiamas elektrostatinių iškrovimų, išjunkite jį ir vėl įjunkite arba perkelkite įrenginį į kitą vietą.
28. Baterija
 - a. Baterijos negali būti veikiamos per didelės temperatūros, pavyzdžiui, saulės spindulių, ugnies ir t.
 - b. Išmesdami baterijas, atkreipkite dėmesį į aplinkosaugos aspektus.
 - c. Įspėjimas dėl baterijų naudojimo: norėdami išvengti baterijų nutekėjimo, dėl kurio galite sužaloti savo kūną ar sugadinti įrenginį:
 - Įdėdami bateriją atkreipkite dėmesį į jos poliarizaciją (+ ir -).
 - Nenaudokite skirtingų baterijų tuo pačiu laiku – senų ir naujų, standartinių ir šarminių baterijų ir kt.
 - Ilgesnį laiką nesinaudojant įrenginiu, išimkite iš jo baterijas.

ĮSPĖJIMAS

Įrenginiu neturėtų naudotis asmenys (įskaitant vaikus), turintys mažesnes fizines, juslines ar psichines galimybes, ir asmenys, neturintys pakankamai žinių ir patirties, jei jie nėra prižiūrimi asmenų atsakingų už jų saugą, ir nebuvo jiems nurodyta, kaip saugiai naudoti įrenginį. Suaugusių asmenų buvimas reikalingas, jei vaikai naudoja prietaisą; tai užtikrins saugų įrenginio naudojimą.

1. Niekada nepalikite veikiančio įrenginio be priežiūros. Išjunkite prietaisą, kai jis nenaudojamas, net trumpą laiką.
2. Prietaiso negalima valdyti per išorinį laikrodį su sinchronizavimo grandinėmis arba per atskirą nuotolinio valdymo sistemą.
3. Norėdami išvengti pavojaus maitinimo laido sužalojimo atveju, jį pakeisti turėtų gamintojas, įgaliotas aptarnavimo centras ar kitas kvalifikuotas asmuo.
4. Prieš pradėdant įrenginio naudojimą patikrinkite, ar jo įtampa atitinka vietos maitinimo įtampą.
5. Draudžiama uždengti prietaiso ventiliacijos angas, pvz. laikraščiais, staltiese, užuolaidomis ir pan. Įsitikinkite, kad virš įrenginio yra ne mažiau kaip 20 cm laisvos vietos ir bent 5 cm iš kiekvienos jo pusės.
6. Neleiskite, kad ant įrenginio nutekėtų ar išsilietų skystis, be to, nedėkite ant jo pripildytų skysčiais objektų, tokių kaip vazos.
7. Norėdami išvengti gaisro ar elektros smūgio, apsaugokite prietaisą nuo karštų vietų, lietaus, drėgmės ir dulkių poveikio.
8. Draudžiama statyti įrenginį arti bent kokių vandens šaltinių, pvz. čiupų, vonių, skalbimo mašinų ar plaukiojimo baseinų. Įrenginį dėkite ant lygaus ir stabilaus paviršiaus.
9. Saugokite įrenginį nuo stipraus magnetinio lauko.
10. Draudžiama statyti įrenginį tiesiai ant stiptintuvo ar AV imtuvo.
11. Draudžiama statyti įrenginį drėgnoje vietoje, nes drėgmė neigiamai veikia elektrinius komponentus.
12. Kai įrenginys atnešamas iš šaltos į šiltą vietą arba į drėgną vietą, ant objektyvo, esančio grotuvo viduje, gali įvykti drėgmės kondensacija. Tokiu atveju įrenginys dirbs netinkamai. Palikite įrenginį maždaug vienai valandai, kad drėgmė išgaruotų.
13. Draudžiama valyti įrenginį cheminiais tirpikliais, nes jie gali pažeisti dengiamąjį laką. Prietaisą valykite švariu, sausu arba šiek tiek drėgnu skudurėliu.
14. Ištraukdami kištuką iš sieninio lizdo, visada traukite už kištuko, niekadus už maitinimo laido.
15. Jeigu įjungtas įrenginys naudojamas šalia įjungto televizoriaus, jis gali sukelti vaizdo iškraipymą linijos ekrane pavidalu. Tai priklauso nuo TV transliacijos bangų juostos. Tai nereiškia, kad įrenginys arba televizorius yra sutrikę. Jei matote tokias linijas, atitolinkite įrenginį nuo televizoriaus.
16. Maitinimo kištukas naudojamas maitinimo įtampos atjungimui ir visada turėtų būti prieinamas.
17. Norėdami išvengti galimo klausos praradimo, ilgai neklusykite garsios muzikos.



DĖMESIO**Deklaracija**

Šiuo Blaupunkt Competence Center 2N-Everpol Sp. z o.o. deklaruoja, kad šis įrenginys atitinka Direktyvos 2014/53 / ES reikalavimus ir kitas atitinkamas nuostatas. Visą atitikties deklaraciją galite rasti interneto svetainėje www.blaupunkt.com gaminio skyriuje.

Atsakingas subjektas 2N-Everpol Sp. Z o.o.

Puławska 403A, 02-801 Warszawa, Polska

Telefonas: +48 22 688 08 00, e. paštas: info@everpol.pl



Produktas pagamintas iš aukštos kokybės medžiagų ir komponentų, kuriuos galima perdirbti ir pakartotinai naudoti.



Jei ant jūsų įrenginio yra perbrauktas šiukšlių dėžės ženklas su ratukais, tai reiškia, kad gaminiui taikomos Europos direktyvos 2012/19/ES nuostatos. Remdamiesi tuo, laikykitės vietinių taisyklių ir susipažinkite su vietinės elektros ir elektroninės atliekų surinkimo sistemos reikalavimais, o šio gaminio atveju jų laikykitės.

NEIŠMESTI ŠIO GAMINIO SU BUITINIŲ ATLIEKŪMIS!

ŠIAME GAMINĖJE YRA PAVOJINGŲ MEDŽIAGŲ, MIŠINIŲ IR KOMPONENTŲ, KURIE NETEISUS GALI BŪTI GALIMO POVEIKIO GAMTINAI APLINKAI IR ŽMONIŲ SVEIKATAI ŠALTINIS!

Tinkamai išmesdami panaudotą gaminį išvengsite neigiamo poveikio aplinkai ir žmonių sveikatai.



Šiame įrenginyje yra baterijos, kurioms taikoma Europos direktyva 2006/66/EC. Baterijas draudžiama išmesti kartu su buitinėmis atliekomis. Privaloma susipažinti su vietos atskirų medžiagų rinkimo reglamentus, nes dėl teisingo šalinimo bus išvengta galimų neigiamų pasekmių aplinkai ir žmonių sveikatai.

Informacija apie aplinkos apsaugą

Pakuotėje yra tik būtini elementai. Buvo imtasi visų pastangų, kad būtų galima lengvai atskirti tris pakuotės sudedamąsias dalis: kartoną (dėžė), polistirolo putplastį (apsauginė dangą) ir polietilena (krepšelį, apsauginis lakštas). Prietaisas pagamintas iš medžiagų, kurios gali būti perdirbamos ir pakartotinai panaudotos, kai jas išmontuoja specializuota įmonė. Privaloma laikytis vietinių pakavimo medžiagų, sunaudotų baterijų ir nereikalingų įrenginių šalinimo taisyklių. Medžiagų įrašymui ir atkūrimui gali reikėti sutikimo. Žr. autorių teisių ir atlikėjų/artistų teisių įstatymą.

Pastaba apie ERP2 (su energija susijusių įrangą)

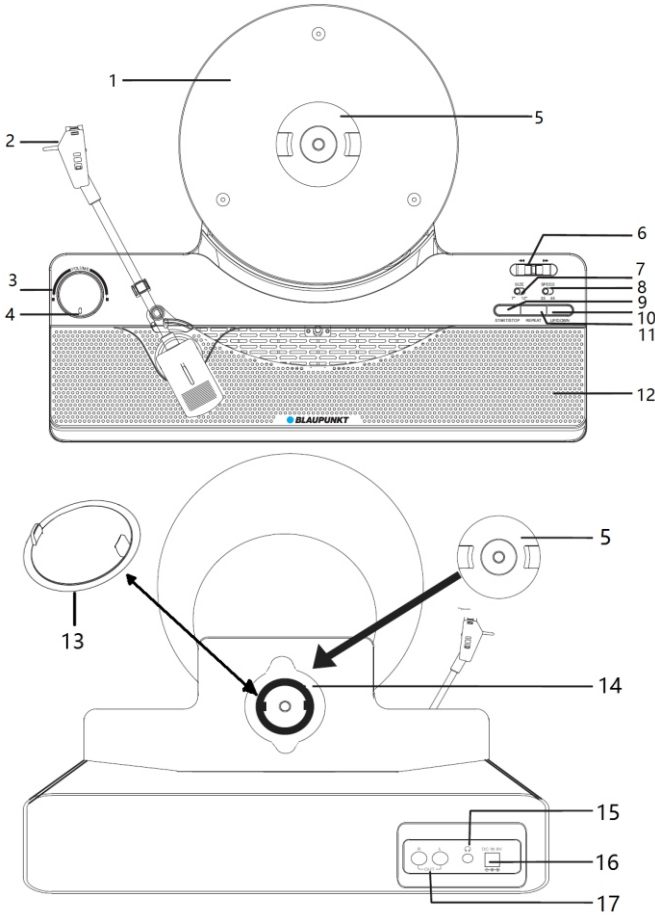
Šis ekologinio projektavimo įrenginys atitinka Komisijos reglamento (EB) Nr. 1275/2008, kuriuo įgyvendinama Direktyva 2009/125/EB dėl nenaudojamų ir budėjimo režimo elektroninių prietaisų energijos vartojimo biure ir buities reikmėms, 2 etapai.



Bluetooth® prekės ženklai ir logotipai priklauso įmonei Bluetooth SIG, Inc. JAV. Šių ženklų ir logotipų naudojimas pagal licenciją. Kiti prekių ženklai ir prekių pavadinimai priklauso atitinkamiems savininkams.

Dėkojame, kad pasirinkote mūsų gaminį, prieš pradėdami naudotis įrenginį, atidžiai perskaitykite šią instrukciją. Išsaugokite instrukciją, kad galėtumėte peržiūrėti ateityje.

Valdymo elementų įrengimas



- 1- Plokštelių diskas
- 2- Patefono galvutė su adata
- 3- Funkcijų rankenėlė (maitinimo įjungimas / išjungimas, atkūrimo režimo pasirinkimas, garsumo reguliavimas)
- 4- Atkūrimo režimo šviesos diodų indikatorius. (Balta spalva = vinilinių plokštelių atkūrimo režimas; Baltas mirksėjimas = vinilinių plokštelių atkūrimo režimas su „Bluetooth“ signalo perdavimu į išorinį įrenginį, pvz., išorines aktyvias kolonėles, „Bluetooth“ ausines ir pan; Mėlyna spalva = „Bluetooth“ atkūrimo režimas išoriniams įrenginiams – išmaniajam telefonui, planšetiniam kompiuteriui, kompiuteriui)
- 5- Tvirtinimo žiedas, skirtas vinilinei plokštei pritvirtinti prie plokštelių disko
- 6- Atkūrimo pirmyn/atgal valdymo jungiklis
- 7- Perjunkite, kad pasirinktumėte plokštelės dydį: 7” arba 12”
- 8- Atkūrimo greičio pasirinkimo jungiklis (33 arba 45 aps./min.)
- 9- START/STOP mygtukas vinilinių plokštelių atkūrimui paleisti ir sustabdyti
- 10- Mygtukas UP/DOWN, skirtas patefono kojelei nuleisti ir pakelti
- 11- Mygtukas, skirtas disko kartojimo funkcijai paleisti REPEAT
- 12- Integruota kolonėlė
- 13- Plokštės centravimo žiedas su didele anga
- 14- Centravimo laikiklis ir plokštelės tvirtinimo žiedas
- 15- Ausinių išvestis
- 16- Nuolatinės srovės maitinimo DC lizdas
- 17- RCA linijinė garso išvestis

Prieš naudodami patefoną pirmą kartą, nuimkite apsauginį kabelį nuo patefono kojelės ir atsargiai nuimkite permatomą apsauginį adatos dangtelį (žr. toliau pateiktą paveikslėlį). Prijunkite komplektacijoje esantį kintamosios ir nuolatinės srovės maitinimo šaltinį prie namų kintamosios srovės lizdo, kad gautumėte maitinimo šaltinį, tada prijunkite nuolatinės srovės maitinimo jungtį prie nuolatinės srovės maitinimo lizdo, esančio galiniame skydelyje.

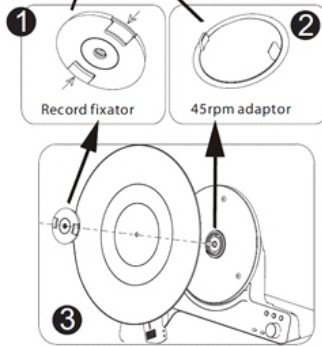
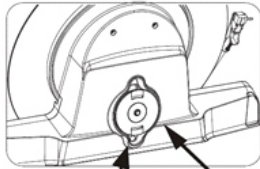


(Nuimkite permatomą apsauginį adatos dangtelį)

Patefono įjungimas / išjungimas / atkūrimo režimas / garsumo reguliavimas: paspauskite ir 3 sekundes palaikykite nuspaudę funkcijų rankenėlę, kad įjungtumėte / išjungtumėte įrenginį; trumpai paspauskite sukamąjį valdiklį, kad perjungtumėte atkūrimo režimą tarp vinilinių plokštelių atkūrimo / „Bluetooth OUT“ / „Bluetooth IN“. Perjungus atkūrimo režimą, pasirodys atitinkamas balso pranešimas, nurodantis pasirinktą režimą. Sukite rankenėle, kad sumažintumėte arba padidintumėte išėjimo garsą.

Bandros pastabos apie vinilines plokšteles:

1. Prieš grodami vinilinę plokštelę, pasistenkite ją nuvalyti nuo dulkių dalelių ar ant jos esančių dulkių. Tam naudokite tinkamą šepetį, o jei nešvarumai didesni, naudokite specialų vinilinių plokštelių valiklį. Šie priedai nėra rinkinio dalis.
2. Nešvari ir dulkėta plokštelė turės didelę įtaką atkuriamo garso kokybei, kuri gali pasireikšti traškėjimu ir nedideliu iškraipymais.
3. Jei plokštelės paviršius yra nelygus (dažnas atvejis senose plokštelėse), atkurdamas diskas gali svyruoti ir gali pasikeisti takelio kelią, o tai turės įtakos garso kokybei. Atkreipkite dėmesį, kad tai nėra šio patefono trūkumas. Kad tai sumažintumėte, stenkitės tinkamai padėti plokštelę ant plokštelių disko ir gerai jį pritvirtinti fiksavimo žiedu.



Vinilinių plokštelių atkūrimas

Norėdami atkurti plokštelę, atlikite toliau nurodytus veiksmus.

1. Įjunkite įrenginį, trumpai paspauskite funkcijų rankenėlę (3), kad peritumėte į vinilinių plokštelių atkūrimo režimą. Režimo pasirinkimo šviesios diodo indikatorius (4) užsidegs baltai, o iš kolonėlės pasigirs garsinis pranešimas „VINYL“.
2. Paspauskite ir palaikykite kairįjį ir dešinįjį vinilinės plokštelės disko laikiklio fiksavimo mygtukus, kad išimtumėte jį iš laikiklio, esančio ant galinio patefono skydelio.
3. Atsargiai uždėkite vinilinę plokštelę ant plokštelių disko, tada pritvirtinkite ją prie lėkštės fiksavimo žiedu, užfiksuodami jį ant suklio, išsikišusio iš plokštelės centrinės skylutės.
4. Priekiniame skydelyje esančiais mygtukais pasirinkite tinkamą plokštelės dydį (7) ir greitį (8).
5. Trumpai paspauskite START/STOP mygtuką, kad pradėtumėte plokštelės atkūrimą. Patefono svirtis automatiškai pasilinks prie plokštelės krašto ir pradės groti pirmąjį įrašą. Paspauskite šį mygtuką dar kartą, kad sustabdytumėte atkūrimą, ir patefono kojelė automatiškai grįš į kojelės laikiklį.
6. Norėdami pereiti prie ankstesnio arba kito takelio, atitinkamai perjunkite atkūrimo valdymo pirmyn/atgal jungiklį (6); jei norite pakelti arba nuleisti patefono kojelę, paspauskite mygtuką UP/DOWN (10).
7. Trumpai paspauskite REPEAT mygtuką (11), kad įjungtumėte vinilinių plokštelių atkūrimo kartojimo funkciją. Šviesios diodo indikatorius (4) užsidegs žaliai. Kai įrenginys baigia groti plokštelę, kojelė automatiškai pajuda ir pradeda groti plokštelę nuo pradžių. Norėdami išaukti kartojimo funkciją, dar kartą paspauskite mygtuką REPEAT (11).

Atkuriamos plokštelės su didele centre skylė (paprastai plokštelės, kurių atkūrimo greitis yra 45 aps./min.): Grodami vinilinę plokštelę su didele centre skylute, pirmiausia uždėkite centravimo žiedą, esantį laikiklyje ant patefono galinio skydelio, ant plokštelių disko įdubos (centrinėje lėkštės dalyje), tada uždėkite vinilinę plokštelę su didele skylute ant plokštelių disko ir pritvirtinkite tvirtinimo žiedą taip, kad iš centravimo žiedo kyšantys antgaliai įjstų į tvirtinimo žiedo viduje esančias skylutes. Šią operaciją žr. toliau pateiktame paveikslėlyje.

Vinilinių plokštelių atkūrimas su „Bluetooth“ signalo perdavimu į išorinį įrenginį (Bluetooth OUT): Šis modelis turi „Bluetooth OUT“ funkciją, leidžiančią be laidžių ryšių perduoti garso signalą per vinilinių plokštelių atkūrimą į išorinius įrenginius, pavyzdžiui, aktyvius „Bluetooth“ kolonėles (pvz., BLAUPUNKT BS60, BS50, BS40 lėntvyninės kolonėlės ar kt.), „Bluetooth“ ausines ir kitas kolonėles su „Bluetooth IN“. Norėdami įjungti garso signalo perdavimą į išorinį „Bluetooth“ įrenginį funkciją, funkciniu valdikliu (3) pasirinkite vinilinės plokštelės atkūrimo režimą su „Bluetooth“ signalo perdavimu (atkūrimo režimo lemputė turi mirksėti baltai, rodydama pasirengimą susiejimui su išoriniu „Bluetooth“ įrenginiu, o iš kolonėlės bus skleidžiamas garso pranešimas „VINYL STREAM“). Įjunkite išorinį „Bluetooth“ įrenginį ir perjunkite jį į „Bluetooth“ susiejimo režimą (išsamesnės informacijos ieškokite išorinio įrenginio naudojimo instrukcijoje), šis patefonas automatiškai aptiks ir prisijungs prie išorinio „Bluetooth“ įrenginio. Sėkmingai susiejus su išoriniu „Bluetooth“ įrenginiu, šviesios diodo indikatorius

stabilizuosis ir švies baltai, ir iš kolonėlės pasigirs garsinis pranešimas – „CONNECTED“. Tada paspauskite START/STOP mygtuką (9), kad pradėtumėte groti vinilinę plokštelę, ir garsas bus atkuriamas per išorinį „Bluetooth“ įrenginį.

Pastabos.

1. Atkreipkite dėmesį, kad šiame atkūrimo režime garsumo reguliavimas galimas prijungtame išoriniame įrenginyje, o ne šiame grotuve.
2. Optimalus darbinis atstumas tarp šio patefono ir išorinio „Bluetooth“ įrenginio yra 10 metrų, kai tarp įrenginių nėra jokių kliūčių.

„Bluetooth IN“ atkūrimas

Šis patefonas turi „Bluetooth“ funkciją, kuri leidžia be laidžių būdu leisti muziką iš kitų „Bluetooth“ įrenginių (pvz., išmaniųjų telefonų, planšetinių kompiuterių, televizorių ir kt.) per integruotas kolonėles.

1. Įjunkite įrenginį ir spauskite funkcinį valdiklį (3), kol režimo pasirinkimo indikatorius (4) ims žybsės mėlynai, o iš kolonėlės pasigirs garsinis pranešimas „Bluetooth“, rodantis, kad įrenginys paruoštas susieti su išoriniu „Bluetooth“ įrenginiu.
2. Išoriniame „Bluetooth“ įrenginyje įjunkite „Bluetooth“ funkciją ir ieškokite įrenginių, kuriuos galima susieti (žr. išorinio įrenginio naudojimo instrukciją), tada sąraše pažymėkite galimą „Bluetooth“ įrenginį. Pasirinkite „BP VT100“ susiejimui, po sėkmingo poravimo šio patefono režimo pasirinkimo indikatorius (4) nuolat šviečia, o iš jo kolonėlės pasigirsta garsinis pranešimas – „CONNECTED“.
3. Pasirinkite ir paleiskite muziką iš išorinio „Bluetooth“ įrenginio, atitinkamai sureguliuokite garsumą ir garsas sklis iš šiamo patefone integruotas kolonėles.
4. „Bluetooth“ atkūrimo režimu valdymui naudokite išorinį „Bluetooth“ įrenginį.

Pastabos.

- a. Negarantuojama, kad visi „Bluetooth“ įrenginiai bus tinkamai susieti dėl skirtingų konstrukcijų ir prekės ženklų.
- b. Geriausias „Bluetooth“ darbinis atstumas yra 10 metrų be jokių kliūčių tarp įrenginių.
- c. Vienu metu įrenginys gali susieti ir veikti tik su vienu „Bluetooth“ prietaisu.
- d. Jei „Bluetooth“ atkūrimo metu gaunamas skambutis; muzika bus laikinai sustabdyta ir atnaujinta, kai telefono skambutis bus baigtas.

RCA linijinė išvestis

Patefonas turi vieną RCA linijinę išvestį, kurią galima laidu prijungti prie išorinio aktyvios kolonėlės arba stiprintuvo. Linijinio išėjimo signalas pasiekiamas grojant vinilinę plokštelę ir „Bluetooth“ režimu.

Naudodami RCA - RCA garso kabelį (nepridedamas), prijunkite patefono RCA linijinę išvestį prie išorinio įrenginio RCA linijinės įvesties; išoriniame įrenginyje perjunkite šaltinį į linijinės įvesties režimą ir nustatykite garsumo lygį; pasirinkite ir grokite muziką patefonu, tada garsas sklis ir per patefono integruotą kolonėlę, ir per išorinį įrenginį.

Siekiant išvengti patefono integruotų kolonėlių ir prie RCA linijinės išvesties prijungtų išorinių įrenginių garso persidengimo, patefono kolonėlių garsa galima visiškai nutildyti naudojant funkcijų rankenėlę (3). Linijinio išėjimo signalo lygis yra fiksuotas, o jo garsumą galima reguliuoti naudojant išorinio įrenginio garsumo reguliatorių.

Ausinių išvestis: prie patefono galiniame skydelyje esančio ausinių lizdo prijunkite laidines ausines. Integruotų kolonėlių garsas bus nutildytas ir girdimas tik per ausines. Reguluokite ausinių garsumą naudodami funkcinį valdiklį (3).

Naudojant tinkamą kabelį, signalą iš ausinių išvesties taip pat galima perduoti į AUX įvestį, pvz., mikrofono, aktyviųjų kolonėlių ir pan.

Kai naudojate „Bluetooth“ ausines, siūlome jas prijungti vinilinės plokštelės atkūrimo režimu su „Bluetooth“ signalo perdavimu į išorinį įrenginį (Bluetooth OUT). Prijungimo būdas aprašytas ankstesniame šios instrukcijos skyriuje.

Adatos keitimas AT3600L galvutėje

Įprastai naudojama adata gali veikti maždaug 300 valandų. Rekomenduojama pakeisti adatą, kai tik pastebėsite, kad pasikeitė garso kokybė.

1. Adatos išėmimas iš galvutės

a. Švelniai pirštais suminkite adatos korpuso šonus ir judinkite jį žemyn (kaip parodyta paveikslėlyje „A“)

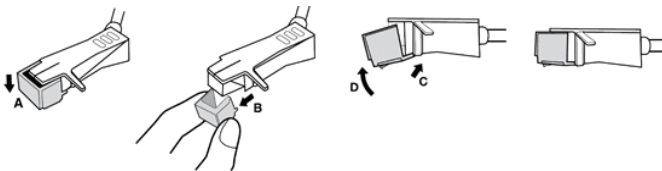
b. Ištraukite adatą, kaip parodyta paveikslėlyje „B“.

Dėmesio: Išimdami adatą iš galvutės, elkitės atsargiai. Naudodami per didelę jėgą galite pažeisti galvutę arba sulaužyti adatą.

2. Naujos adatos įdėjimas į galvutę

a. Laikykite adatos korpusą ir įdėkite jį į galvutę kryptimi parodyta „C“ paveikslėlyje.

b. Judinkite adatą aukštyn, kaip parodyta paveikslėlyje „D“; kol ji užsifiksuos galvutėje.



Ispėjimas.

1. Prieš keisdami adatą, atjunkite patefoną nuo maitinimo šaltinio. Neišimkite pačios adatos iš korpuso ir jos nelenkite.
2. Aštrūs kraštai, nelieskite adatos, kad nesusižeistumėte rankos. Laikyti vaikams nepasiekiamoje vietoje



3. Rekomenduojame, kad rašiklį pakeistų patyręs arba profesionalus techninės priežiūros specialistas.

Problemų sprendimas

1. Patefonas negali įsijungti.
 - a. Patikrinkite, ar maitinimo laidas prijungtas teisingai.
2. Nėra garso.
 - a. Pabandykite sureguliuoti garsumo rankenėlę ir patikrinti atkūrimo šaltinį.
 - b. Jei problema išlieka, kreipkitės į techninės priežiūros centrą, kad išspręstų problemą.
3. Iškraipytas garsas.
 - a. Pabandykite atkurti muziką mažesniu garso lygiu.
 - b. Pabandykite išvalyti vinilinę plokštelę ir bandykite dar kartą.
4. „Bluetooth“ režimu garsas yra pertraukiamas.
 - a. Pabandykite pastatyti „Bluetooth“ įrenginį arčiau gramofono.
 - b. Dar kartą pabandykite susieti patefoną su „Bluetooth“ įrenginiu.

Specifikacija

Maitinimo šaltinis: DC IN, 9V/1,5 A
 RMS išėjimo galia 2 x 5 W, THD 10 %
 „Bluetooth“ versija: V5.1
 „Bluetooth“ veikimo nuotolis: maždaug 10 metrų
 Perdavimo dažnumas: 2,402–2,480 GHz
 Naudotini protokolai: A2DP/AVCTP/AVDTP/AVRCP/GAVDP/HFP/HID/OPP/RFCOMM/SP
 Patefonas apsisukimų nuokrypis: ašinė nuokrypa <0,6 mm
 Galvutės spaudimo jėga: 3,5 g (+/0,5 g)
 Galvutės modelis: AT3600L, „Audio Technica“ prekės ženklas
 Naudojamoji galia: 13,5 W
 Energijos suvartojimas budėjimo režime: < 0,5 W
 (Dėmesio: produkto specifikacija gali būti keičiama be išankstinio įspėjimo).

POMEMBNA POROČILA O VARNOSTI**Pozor:**

Da bi zmanjšali nevarnost električnega udara, ne razstavljajte pokrova in zadnjega dela naprave. Znotraj naprave ni elementov, ki bi jih lahko uporabnik samostojno popravil. Vzdrževalna dela in popravila lahko opravljajo le usposobljeni serviserji.

Razlaga grafičnih simbolov:

Simbol strele s puščico na koncu, v enakostraničnem trikotniku opozarja uporabnika na neizolirano »nevarno napetost« v ohišju naprave. Napetost lahko doseže vrednost, ki predstavlja tveganje električnega udara.



Klicaj v enakostraničnem trikotniku opozarja uporabnika na pomembne informacije o uporabi in vzdrževanju naprave, ki jih vsebuje dokumentacija, priložena napravi.

Prosimo, da pred uporabo naprave preberete ta navodila, da bi se seznanili s funkcijami naprave in jo uporabljali skladno z namenom. S tem lahko zagotovite dolgotrajno, nemoteno in prijetno uporabo naprave.

Pomembni podatki

- Shranite ta navodila za uporabo in poročila o varnosti, ker jih boste lahko potrebovali v prihodnosti.
- Ne dovolite, da se na napravo razlije oziroma nanjo kaplja tekočina.
- Naprave ne uporabljajte v vlažnih prostorih, kot je na primer kopalnica.
- Naprave ne smete namestiti na naslednji način:
- Naprava ne sme biti izpostavljena neposrednemu vplivu sončnih žarkov oz. se ne sme nahajati v bližini grelcev.
- Naprava se ne sme postaviti na drugo stereofonsko napravo, ki oddaja toploto.
- Naprava ne sme ovirati prezračevanja oz. se ne sme nahajati v zaprašenem prostoru.
- Naprava ne sme biti izpostavljena stalnim vibracijam.
- Naprava se ne sme nahajati v prostorih z visoko vlažnostjo.
- Naprava se ne sme nahajati v bližini sveč ali odprtega ognja.
- Napravo uporabljajte le na način, opisan v teh navodilih.
- Pred prvim vklopom napajanja se je treba prepričati, da je napajalnik pravilno prikljopljen.
- USB-spomin se priklopi neposredno oz. s pomočjo USB-podaljška dolžino do 25 cm.

Zaradi varnosti ni dovoljeno razstavljanje ohišja oz. pronicanje v notranjost naprave. Napravo lahko popravi le usposobljeno servisno osebje.

Ne razstavljajte in ne odpirajte ohišja naprave, kajti noter ni delov, ki bi jih lahko popravil uporabnik. Vzdrževalna dela in popravila lahko opravljajo le usposobljeni serviserji.

POROČILA O VARNOSTI

1. Preberite navodila za uporabo – pred uporabo naprave je treba prebrati vsa navodila za uporabo in poročila o varnosti.
2. Shranite navodila za uporabo – navodila za uporabo je treba shraniti za primer kasnejše uporabe.
3. Upošteвайте opozorila – ukrepajte skladno z vsemi opozorili, ki jih vidite na napravi ter z opozorili, omenjenimi v navodilih za uporabo.
4. Sledite navodilom – ukrepajte skladno z navodili za uporabo in navseti za uporabnika.
5. Namestitev – napravo postavite skladno s proizvajalčevimi navodili.
6. Viri napajanja – napravo napajajte izključno iz virov, ki odgovarjajo parametrom, navedenim na napajalnem kablu. Če oddajajo toploto. Na napravo ne postavite gorečih svečk in drugih virov odprtega ognja.
7. Ozemljitev in polarizacija napajanja – napravo lahko uporabljate brez ozemljitve. Prepričajte se, da je vtič v celoti nameščen v omrežni vtičnici oz. podaljšku, tako da se stiki ne vidijo. Nekatere različice naprave so lahko opremljene s polariziranim vtičem za izmenični tok (en stik je debelejši). Takšen vtič lahko vklopite v omrežno vtičnico le na en način. To je zavarovalna funkcija. Če vtiča ne morete vklopiti v vtičnico, ga poskusite obrniti. Če se vtič še vedno ne ujema z vtičnico, naj vam jo električar zamenja. Zavarovanje iz polariziranega vtiča ne smete odstranjevati. Če uporabljate podaljšek ali napajalni kabel, ki nista priložena napravi, se prepričajte, da imata ustrezne vtiče in potrdilo o varnosti, ki se zahteva v določeni državi.
8. Zavarovanje napajalnega kabla – napajalni kabel je treba namestiti na način, ki omejuje nevarnost potepanja, pritiskanja oz. naključnega razrezanja. Bodite posebej pozorni na vtiče, omrežne vtičnice in mesta, kjer kabli izhajajo iz naprave.
9. Preobremenitev – preobremenitev zidnih vtičnic, podaljškov in električnih razdelilnikov ni dovoljena, saj lahko to privede do požara ali električnega udara.
10. Prezračevanje – napravo je treba pravilno prezračevati. Ne postavite je na posteljo, kavč ali podobne površine. Ne prekrivajte je s prti, robci, revijami idr.
11. Toplota – naprave ne postavite v bližino virov toplote, kot so grelci, sevalniki, peči in druge naprave (tudi ojačevalniki), ki oddajajo toploto. Na napravo ne postavite gorečih svečk in drugih virov odprtega ognja.
12. Voda in vlaga – da bi zmanjšali tveganje požara ali električnega udara, naprave ne izpostavite neposrednemu vplivu dežja, vode in vlage, na primer ne postavite je v savni ali kopalnici. Te naprave ne smete uporabljati v bližini vode, na primer zavrni kadi, umivalnika, korita oz. škafova, v vlažni kleti oz. v bližini bazena (in podobnih mest).
13. Predmeti in tekočine v napravi – skozi odprtine v napravi ne potiskajte nobenih predmetov, saj se tisti predmeti lahko dotaknejo točk z nevarno napetostjo in s komponentami, kar lahko privede do požara oz. električnega udara. Nikakor ne razlize nobenih tekočin na površino naprave. Na napravo ne smete postaviti predmetov, ki vsebujejo tekočine.

14. Čiščenje – preden začnete s čiščenjem, napravo vedno odklopite iz omrežne vtičnice. Prah, ki je okoli zvočnika, lahko obrišete s suho krpo. Če za čiščenje uporabljate aerosol, razpršilo usmerite na krpo, ne pa neposredno na napravo. Pazite, da se ne poškodujejo pogonske enote.
15. Dodatna oprema – ne uporabljate pripomočkov, ki jih proizvajalec ne potrdi, ker lahko predstavljajo nevarnost.
16. Pripomočki – naprave ne postavite na nestabilen voziček, stojalo, stativo, konzolo ali mizo. Naprava se lahko prevrne in poškoduje, lahko tudi hudo poškoduje otroka ali odraslo osebo. Uporabite le vozičke, stojala, stative, konzole in mize, ki jih priporoča proizvajalec oz. ki se prodajajo skupaj z napravo. Namestitvev naprave mora potekati skladno z navodili proizvajalca, ob uporabi montažnega seta, ki ga priporoča proizvajalec.
17. Prestavljanje naprave – napravo postavite na voziček in zelo previdno prestavite. Nenadna ustavitve vozička, prevelika moč oz. neravne površine lahko pripeljejo do prevrnitve vozička z napravo.
18. Obdobje mirovanja naprave – napajalni kabel je treba odklopiti iz omrežne vtičnice v primeru neviht s strelami oz. ko naprave ne boste dlje časa uporabljali.
19. Servisiranje - naprave ne smete servisirati samostojno. Po odpiranju ohišja je uporabnik izpostavljen visoki napetosti in drugi nevarnosti. Vzdrževalna dela in popravila lahko opravljajo le usposobljeni serviserji.
20. Ko naprave ne uporabljate, odklopite njen vtič iz omrežne vtičnice. Ko je naprava priključena na vir napajanja, ni nikoli popolnoma izklopljena, vendar je v stanju pripravljenosti.
21. Nadomestni deli – ob zamenjavi delov je treba preveriti, ali je serviser uporabil nadomestne dele proizvajalca oz. ali nadomestni deli ustrezajo originalnim delom. Uporaba nepotrjenih delov lahko privede do požara, električnega udara oz. drugih nevarnih razmer.
22. Glavne varovalke – da bi napravo trajno zavarovali pred požarom, uporabite varovalke ustrezne vrste in parametrov. Parametri varovalk glede napetosti so označeni na napravi.
23. Ne povečajte glasnosti ob poslušanju tihega posnetka oz. ko ni vhodnega zvočnega signala. Z nenadnim povečanjem intenzitete signala lahko poškodujete zvočnik.
24. Edini način popolnega odklopa naprave iz vira napajanja je odklop napajalnega kabla iz omrežne vtičnice oz. iz naprave. Omrežna vtičnica oz. vhod za napajalni kabel morata biti vedno dostopna med uporabo naprave.
25. Napravo je treba postaviti v bližini omrežne vtičnice oz. podaljška, na tak način, da je vtičnica vedno dostopna.
26. Maksimalna temperatura v prostoru, kje je naprava, je 35 °C.
27. Nasveti glede električnih razelektritev – če delovanje naprave motijo električne razelektritve, je treba napravo izklopiti in ponovno vklopiti oz. jo prestaviti na drugo mesto.
28. Baterija
- Baterije ne smejo biti izpostavljene vplivu prekomerne toplote, npr. sončnih žarkov, ognja idr.
 - Pri odstranjevanju baterij je treba biti posebno pozoren na okoljevarstvena vprašanja.
 - Opozorilo glede uporabe baterije: da se prepreči puščanje baterije, ki lahko privede do poškodb telesa oz. naprave:
 - Ob namestitvi baterij pazite na polarizacijo (+ in -).
 - Skupaj ne smete uporabljati novih in starih baterij, standardnih in alkalnih idr.
 - Če naprave več časa ne uporabljate, odstranite baterije.

OPOZORILO

- Naprave ne smejo uporabljati osebe (vključno z otroki) z zmanjšano fizično, senzorično ali mentalno sposobnostjo ali brez izkušenj oz. znanja, razen če so pod nadzorom osebe, ki je odgovorna za njihovo varnost, oz. če so se poučile z navodili o varni uporabi naprave. Prisotnost odraslih je obvezna, če napravo uporabljajo otroci. S tem se lahko zagotovi varna uporaba naprave.
- Vključene naprave ne smete pustiti brez nadzora! Napravo izklopite, tudi če naprava le nekaj časa počiva.
 - Naprave ne smete uporabljati preko zunanje ure s časovnim sistemom oz. preko ločenega sistema z daljinskim upravljanjem.
 - Da bi se izognili nevarnosti v primeru poškodovanja napajalnega kabla, zamenjave lahko opravi le proizvajalec, pooblaščen servisno podjetje oz. ustrezno usposobljen strokovnjak.
 - Pred začetkom uporabe naprave je treba preveriti, ali napetost naprave ustreza napetosti lokalnega električnega omrežja.
 - Prezračevalni odprtini ne prekrivajte, npr. z revijami, prti, zavesami idr. Prepričajte se, da je nad napravo ohranjenega najmanj 20 cm prostega prostora, na straneh pa vsaj 5 cm.
 - Ne dovolite, da na napravo kaplja oz. da se nanjo razlije tekočina, na napravo ne postavite predmetov s tekočino, npr. vaz.
 - Da se prepreči nastajanje požara ali nevarnost električnega udara, napravo zaščitite pred vročino, vplivom dežja, vlage in praha.
 - Naprave ne postavite v bližini katerih koli virov vode, npr. umivalnikov, kadi, pralnih strojev oz. bazenov. Napravo postavite na ravno in stabilno podlago.
 - Naprave ne izpostavite močnemu magnetnemu polju.
 - Naprave ne postavite neposredno na ojačevalnik ali sprejemnik.
 - Naprave ne postavite na vlažno mesto, ker ima vlaga negativni vpliv na električne komponente.
 - Ko napravo prestavite iz hladnega prostora v toplej oz. vlažen prostor, lahko pride do kondenzacije vlage na leči znotraj predvajalnika. To lahko povzroči nepravilno delovanje naprave. Napravo pustite vklopljeno vsaj na eno uro, da vlaga izpari.
 - Naprave ne čistite s kemijskimi topili, ker se lahko na ta način poškoduje lakirana površina ohišja. Napravo obrišete s čisto, suho oz. rahlo navlaženo krpicco.
 - Med odklopom vtiča iz omrežne vtičnice je treba vedno vleči za vtič, nikoli za napajalni kabel.
 - Ko se vklopljena naprava uporablja v bližini vklopljenega TV-ja, lahko pride do motenj slike v obliki črt na zaslonu. To je odvisno od valov TV-prenosa. To ne pomeni, da naprava oz. TV ne delujeta pravilno. Če se vidijo črte, premaknite napravo stran od TV-ja.
 - Omrežni vtič se uporablja za odklop napajanja in zato mora biti vedno dostopen.
 - Da bi preprečili nevarnost izgube sluha, glasne glasbe ne poslušajte dlje časa.



POZOR**Izjava**

S tem Blaupunkt Competence Center 2N-Everpol Sp. z o.o. izjavlja, da je ta naprava v skladu z zahtevami in drugimi ustreznimi določili uredbe 2014/53/EU. Celotno izjavo o skladnosti si lahko ogledate na spletni strani www.blaupunkt.com v zavihku izdelka.

Odgovorni subjekt: 2N-Everpol Sp. Z o.o.

Puławska 403A, 02-801 Warszawa, Polska

Telefon: +48 22 688 08 00,, e-naslov: info@everpol.pl



Naprava je izdelana iz visokokakovostnih materialov ter komponent, ki se lahko reciklirajo in ponovno uporabijo.



Če je na vaši napravi simbol prečrtanega smetnjaka, to pomeni, da je izdelek zajet v določbah evropske direktive 2012/19/EU. Na podlagi tega upoštevajte lokalne predpise in se seznanite z zahtevami za vaš lokalni sistem zbiranja električnih in elektronskih odpadkov ter jih, v primeru tega izdelka, upoštevajte.

TEGA IZDELKA NE ODVRŽITE Z GOSPODINJSKIMI ODPADKI!

TA IZDELEK VSEBUJE NEVARNE SNOVI, ZMESI IN KOMPONENTE, KI SO LAHKO V ČE NISO DOVOLJENE VIR POTENCIALNIH UČINKOV NA NARAVNO OKOLJE IN ZDRAVJE LJUDI!

Pravilno odlaganje uporabljenega izdelka bo preprečilo negativne vplive na okolje in zdravje ljudi.



Naprava je opremljena z baterijo, ki jo določa evropska smernica 2006/66/EC. Baterija se ne sme odstranjevati skupaj z gospodinjiskimi odpadki. Treba se je seznaniti z lokalnimi predpisi za ločeno zbiranje odpadnih baterij, ker le ustrezná odstranitev preprečuje morebitne negativne učinke za okolje in človekovo zdravje.

Podatki za varovanje okolja

Komplet vsebuje samo potrebne elemente. Prizadevali smo si, da bodo vsi trije elementi embalaže lahko odstranljivi: karton (škafka), polistirenska pena (zunanja zaščita) in polietilen (vreče, zaščitna plast). Naprava je izvedena iz materialov, ki se lahko reciklirajo, ter jih lahko po demontaži s strani strokovnega podjetja ponovno uporabljamo. Upoštevati je treba lokalne predpise za odstranjevanje embalaž, porabljenih baterij ter nepotrebnih naprav.

Za zapisovanje in predvajanje je treba obvezno pridobiti soglasje. Glej Zakon o avtorskih pravicah in pravicah izvajalcev/umetnikov.

Opomba glede ERP2 (naprav, povezanih z energijo)

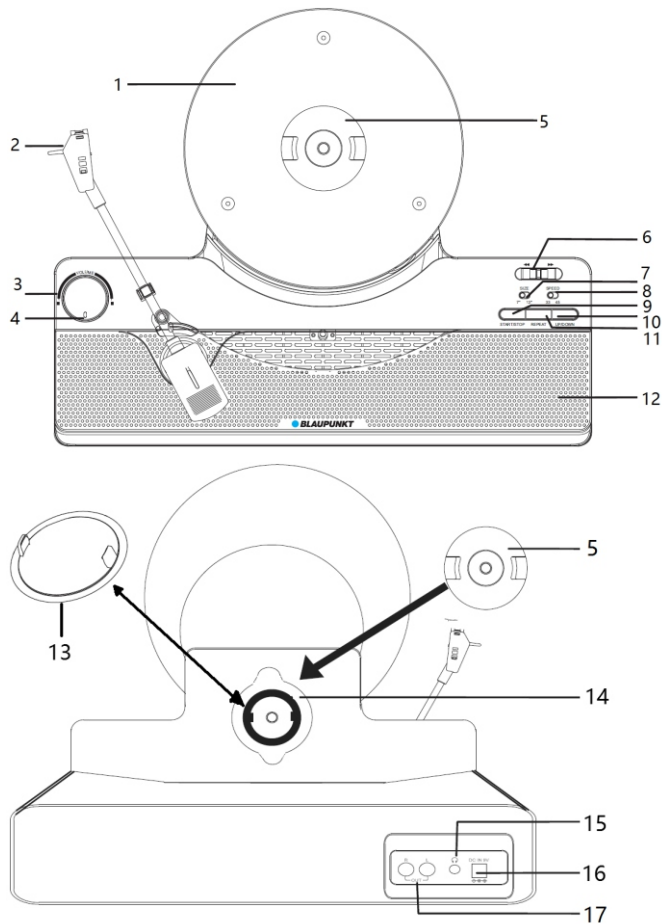
Ta naprava z ekonačrtom izpolnjuje zahteve 2. etape Uredbe Komisije (ES) št. 1275/2008 o izvajanju Uredbe 2009/125/ES glede porabe energije o vzpostavitvi okvira za določanje zahtev za primerno okoljsko zasnovo izdelkov, povezanih z energijo.



Podjetje Bluetooth SIG, Inc. USA je lastnik blagovnih znamk in logotipa Bluetooth®. Za uporabo teh znamk in logotipa se zahteva licenca. Druge znamke in trgovska imena so v lasti ustreznih lastnikov.

Hvala, ker ste izbrali naš model. Prosimo, da pred začetkom uporabe naprave pozorno preberete in sledite tem navodilom. Prosimo, shranite navodila za primer poznejše uporabe.

Razporeditev elementov za upravljanje



- | | |
|--|---|
| 1- Krožnik gramofona | 2- Gramofonska kasete z iglo |
| 3- Funkcijski gumb (vklop/izklop, izbira načina predvajanja, prilagajanje glasnosti) | |
| 4- LED-indikator načina predvajanja. (Bela barva = način predvajanja vinilnih plošč; Bela utripajoča barva = način predvajanja vinilnih plošč s prenosom signala Bluetooth na zunanjo napravo, npr. zunanje aktivne zvočnike, slušalke Bluetooth itd.; Modra barva = način predvajanja Bluetooth za zunanje naprave - pametni telefon, tablični računalnik, osebni računalnik) | |
| 5- Pritrdilni obroč za pritrditev vinilne plošče na krožnik gramofona | |
| 6- Stikalo za upravljanje predvajanja naprej/nazaj | 7- Stikalo za izbiro velikosti plošče: 7" ali 12" |
| 8- Stikalo za izbiro hitrosti predvajanja (33 vrtljajev na minuto ali 45 vrtljajev na minuto) | |
| 9- Tipka START/STOP za vzpostavitev in zaustavitev predvajanja vinilne plošče | |
| 10- Tipka UP/DOWN za spuščanje in dvigovanje roke gramofona | |
| 11- Tipka za vklop funkcije ponovnega predvajanja plošče REPEAT | 12- Vgrajen zvočnik |
| 13- Centralni obroč za plošče z veliko odprtino | |
| 14- Držalo za shranjevanje centralnega obroča in pritrditev plošče | |
| 15- Izhod za slušalke | 16- Vtičnica za napajanje iz DC tokom. |
| | 17- Linijski izhod avdio RCA |

Pred prvo uporabo gramofona odstranite varnostno cevko z roke gramofona in previdno odstranite prozoren zaščitni pokrov igle (glejte spodnjo sliko). Priloženi napajalnik AC/DC priključite v gospodinjsko vtičnico za AC tok, priključek DC napajalnika pa v vtičnico DC na zadnjem panelu,

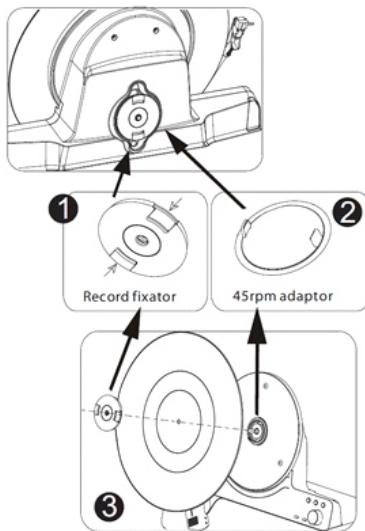


(Odstranite prozoren zaščitni pokrov igle)

Vklop/izklop gramofona/preklop načina predvajanja/prilagoditev glasnosti: pritisnite in 3 sekunde pridržite funkcijski gumb, da vklopite/izklopite napravo; kratko pritisnite gumb, da preklopite način predvajanja med predvajanjem vinilnih plošč / Bluetooth OUT / predvajanjem Bluetooth (Bluetooth IN). Ob preklopu načina predvajanja se prikaže ustrezno glasovno sporočilo, ki označuje izbrani način. Z obračanjem gumba zmanjšajte ali povečajte izhodno glasnost.

Splošne pripombe o vinilnih ploščah:

1. Pred predvajanjem vinilne plošče jo poskusite očistiti vseh prašnih delcev ali prahu. Za to uporabite ustrezno krtačo, za močnejšo umazanje pa posebno čistilo za vinilne plošče. Ti pripomočki niso priloženi.
2. Umazana in zaprašena plošča močno vpliva na kakovost predvajane zvoka, kar se lahko kaže kot prasketanje in manjše popačenje zvoka.
3. Če je površina plošče neravna (pogost pojav pri starejših ploščah), lahko plošča med predvajanjem niha in spreminja potek skladbe, kar vpliva na kakovost zvoka. Upoštevajte, da v takem primeru ne gre pomanjkljivost gramofona. Da bi zmanjšali ta pojav, ploščo ustrezno namestite na krožnik in jo dobro pritrdite s pritrdilnim obročem.



Predvajanje vinilnih plošč

Če želite predvajati ploščo, izvedite spodaj navedene korake.

1. Vključite napravo in na kratko pritisnite funkcijski gumb (3), da preklopite v način predvajanja vinilnih plošč. LED-indikator izbire načina (4) bo svetil belo, iz zvočnika pa se bo slišalo sporočilo »VINYL«.
2. Pritisnite in pridržite levo in desno tipko za zaklepanje obroča za pritrditev vinilne plošče, da jo odstranite iz držala na zadnjem panelu gramofona
3. Previdno položite vinilno ploščo na krožnik gramofona, nato pa jo pritrdite na krožnik s pritrdilnim obročem in ga zaklenite na vretenu, ki štrli iz sredinske luknje plošče.
4. S tipkami na sprednji plošči izberite ustrezno velikost plošče (7) in hitrost vrtljajev (8).
5. Za začetek predvajanja plošče na kratko pritisnite tipko START/STOP. Roka gramofona se bo samodejno premaknila do roba plošče in začela predvajati prvo skladbo. Ponovno pritisnite to tipko, da ustavite predvajanje, in gramofonska roka se bo samodejno vrnila v držalo.
6. Če želite preskočiti na predhodno ali naslednjo skladbo, ustrezno premaknite stikalo za upravljanje predvajanja naprej/nazaj (6); če želite dvigniti ali spustiti roko gramofona, pritisnite tipko UP/DOWN (10).
7. Kratko pritisnite tipko REPEAT (11), da aktivirate funkcijo ponavljanja za predvajanje vinilnih plošč. LED-indikator (4) sveti zeleno. Ko naprava konča predvajanje plošče, se roka samodejno premakne in začne predvajati ploščo od začetka. Ponovno pritisnite tipko REPEAT (11), da preključite funkcijo ponavljanja.

Predvajanje plošč z veliko sredinsko luknjo (običajno plošče s hitrostjo predvajanja 45 vrtljajev na minuto): Pri predvajanju vinilne plošče z veliko sredinsko luknjo najprej postavite centrirni obroč, ki se nahaja v držalu na zadnjem panelu gramofona, na vdolbino v krožniku (v osrednjem delu krožnika), nato postavite vinilno ploščo z veliko luknjo na krožnik in pritrdite pritrdilni obroč tako, da kavlji, ki štrlijo iz centrirnega obroča, zdrsrnejo v luknje na notranji strani pritrdilnega obroča. Oglejte si spodnjo sliko, ki ponazarja to operacijo.

Predvajanje vinilnih plošč s prenosom signala Bluetooth na zunanjo napravo (Bluetooth OUT): Ta model ima funkcijo Bluetooth OUT, ki omogoča brezžični prenos zvočnega signala med predvajanjem vinilnih plošč na zunanjo napravo, kot so aktivni zvočniki Bluetooth (npr. BLAUPUNKT BS60, BS50, BS40 ali drugi), slušalke Bluetooth in drugi zvočniki z Bluetooth IN. Če želite aktivirati funkcijo prenosa zvočnega signala na zunanjo napravo Bluetooth, s funkcijskim gumbom (3) izberite način predvajanja vinilne plošče s prenosom signala Bluetooth (LED-indikator načina predvajanja mora utripati belo, kar kaže na pripravljenost za seznanjanje z zunanjo napravo Bluetooth, iz zvočnika pa se oddaja zvočno sporočilo »VINYL STREAM«). Vključite zunanjo napravo Bluetooth in jo preklopite v način seznanjanja Bluetooth (za podrobnosti preverite navodila za uporabo zunanje naprave), gramofon bo samodejno zaznal zunanjo napravo Bluetooth in se z njo seznanil. Po uspešnem seznanjanju z zunanjo napravo Bluetooth se LED-indikator ustali in zasveti belo, iz zvočnika pa se bo oglasilo zvočno sporočilo ->»CONNECTED«. Nato pritisnite tipko START/STOP (9), da začnete predvajati vinilno ploščo, zvok pa se bo predvajal prek zunanje naprave Bluetooth.

Opozorila:

1. Upoštevajte, da je v tem načinu predvajanja prilagajanje glasnosti na voljo na priključeni zunanji napravi in ne na gramofonu.
2. Optimalna delovna razdalja med tem gramofonom in zunanjo napravo Bluetooth je 10 metrov, brez ovir med napravama.

Predvajanje Bluetooth IN

Ta gramofon ima funkcijo Bluetooth, ki omogoča brezžično predvajanje glasbe iz drugih naprav Bluetooth (npr. pametnih telefonov, tabličnih računalnikov, televizorjev itd.) prek vgrajenih zvočnikov.

1. Vključite napravo in pritisčajte funkcijski gumb (3), dokler LED-indikator izbire načina (4) ne začne utripati modro, iz zvočnika pa se oglasi zvočno sporočilo »BLUETOOTH«, kar pomeni, da je naprava pripravljena za seznanjanje z zunanjo napravo Bluetooth.
2. Na zunanji napravi Bluetooth vklopite funkcijo Bluetooth in poiščite naprave, ki so na voljo za seznanjanje (preverite navodila za uporabo zunanje naprave), nato na seznamu poiščite razpoložljive naprave Bluetooth. Za seznanjanje izberite »BP VT100«, LED-indikator izbire načina (4) tega gramofona bo po uspešnem seznanjanju svetil z neprekinjeno svetlobo, iz zvočnika pa se bo oglasilo zvočno sporočilo »CONNECTED«.
3. Izberite in predvajajte glasbo iz zunanje naprave Bluetooth, ustrezno prilagodite glasnost. Zvok bo prihajal iz vgrajenega zvočnika tega gramofona.
4. V načinu predvajanja Bluetooth za upravljanje uporabite zunanjo napravo Bluetooth.

Opozorila:

- a. Zaradi različnih konstrukcij modelov in raznolikosti blagovnih znamk ni mogoče zagotoviti, da se bodo vse naprave Bluetooth pravilno seznanile.
- b. Najboljši domet Bluetooth znaša 10 metrov, če ni ovir med napravami.
- c. Naprava se lahko hkrati seznanj in deluje le z eno napravo Bluetooth.
- d. Ob prihajajočem klicu med predvajanjem preko Bluetooth se predvajanje glasbe za trenutek prekine in nato obnovi po končanem telefonskem pogovoru.

Linjski izhod RCA

Gramofon ima eden linijski izhod RCA, ki omogoča žično povezavo z zunanjim aktivnim zvočnikom ali ojačevalnikom. Linijski izhodni signal je na voljo med predvajanjem vinilske plošče in v načinu Bluetooth.

- Z avdio kablom RCA - RCA (ni priložen) povežite linijski izhod RCA na gramofonu z linijskim vhodom RCA na zunanji napravi; na zunanji napravi preklopite vir na način linijskega vhoda in prilagodite raven glasnosti; izberite in predvajajte glasbo na gramofonu, nato se bo zvok predvajal tako prek vgrajenega zvočnika gramofona kot prek zunanje naprave.
- Da bi preprečili prekrivanje zvoka med vgrajenimi zvočniki gramofona in zunanjimi napravami, ki so priključene na linijski izhod RCA, je mogoče s funkcijskim gumbom (3) popolnoma izklopiti zvok, ki prihaja prek zvočnikov gramofona. Linijski izhodni signal ima fiksno raven, njegovo glasnost pa lahko prilagodite z regulatorjem glasnosti na zunanji napravi.

Izhod za slušalke: priključite žične slušalke v vtičnico za slušalke na zadnjem panelu gramofona. Zvok v vgrajenih zvočnikih bo utišan in bo na voljo samo preko slušalk. S funkcijskim gumbom (3) prilagodite glasnost zvoka v slušalkah. Z ustreznim kablom lahko signal izhoda za slušalke pripeljete tudi na vhod AUX npr. mikrofona, aktivnih zvočnikov itd. Če uporabljate slušalke Bluetooth, vam priporočamo, da jih priključite v načinu predvajanja vinilnih plošč s prenosom signala Bluetooth na zunanjo napravo (Bluetooth OUT). Način priključitve je opisan v prejšnjem poglavju teh navodil za uporabo.

Menjava igle v kaseti AT3600L

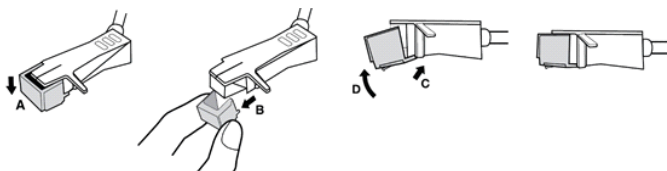
Ob normalni uporabi lahko igla zdrži približno 300 ur. Iglo je priporočljivo zamenjati takoj, ko opazite spremembo v kakovosti zvoka.

1. Odstranjevanje igle iz kasete
 - a. S prsti nežno primate stranice ohišja igle in ga premaknite navzdol (kot na sliki »A«)
 - b. Izvlecite iglo, kot je prikazano na sliki »B«.

Pozor: Iglo iz kasete odstranite nežno. Uporaba prevelike sile lahko poškoduje kasete ali zlomi iglo.

2. Namestitev nove igle v kaseto

- a. Držite ohišje igle in ga vstavite v kaseto v smeri, ki je prikazana na sliki »C«.
- b. Iglo premikajte navgor, kot je prikazano na sliki »D«, dokler se ne zaklene v kaseti.



Opozorilo:

1. Pred zamenjavo igle izklopite gramofon iz električnega omrežja. Igle ne odstranjujte iz ohišja in je ne upogibajte.
2. Ostri robovi, ne dotikajte se igle, da si ne poškodujete roke. Hranite zunaj dosega otrok.



3. Priporočamo, da konico igle zamenjate pri izkušenem ali strokovnem serviserju.

Reševanje težav

1. Gramofona ni mogoče vklopiti.
 - a. Preverite, ali je napajanje pravilno priklopljeno.
2. Ni zvoka.
 - a. Prilagoditi gub za glasnost in preveriti vir predvajanja.
 - b. Če se težave nadaljujejo, obrnite se na servisni center za pomoč.
3. Popačen zvok.
 - a. Poskusite predvajati glasbo pri nižji glasnosti.
 - b. Poskusite očistiti vinilno ploščo in poskusite znova.
4. V načinu Bluetooth je zvok prekinjen.
 - a. Premaknite napravo Bluetooth bliže k gramofonu.
 - b. Ponovno poskusite seznaniti gramofon z napravo Bluetooth.

Specifikacija

Vir napajanja: DC IN, 9V/1,5 A

Izhodna moč RMS: 2 x 5 W, THD 10 %

Različica Bluetooth: V5.1

Dometa Bluetooth: približno 10 metrov

Frekvenca prenosa: 2,402~2,480GHz

Podprti protokoli: A2DP/AVCTP/AVDTP/AVRCP/GAVDP/HFP/HID/OPP/RFCOMM/SPP

Odstopanja vrtljajev gramofona: opletanje <0,6mm

Moč pritiska kasete: 3,5 g (+/-0,5 g)

Model kasete: AT3600L, blagovna znamka Audio Technica

Poraba moči: 13,5 W

Poraba moči v stanju pripravljenosti: <0,5 W

(Opombe: specifikacije izdelka se lahko spremenijo brez predhodnega obvestila).

Svarīgas drošības instrukcijas



Brīdinājums:

Lai samazinātu elektrošoka risku, nedrīkst demontēt ierīces vāku un tās aizmugurējo daļu. Ierīces iekšā nav elementu, ko lietotājs var patstāvīgi remontēt. Ierīces tehnisko apkopi un remontu var veikt tikai kvalificēti servisa centra darbinieki.

Grafisko simbolu paskaidrojums:



Zibens simbols ar bultīņu galā vienādmalu trijstūrī brīdina lietotāju par neizolētu "bīstamu spriegumu" ierīces korpusa iekšā, kas var sasniegt līmeni, radot elektrošoka risku.



Izsaukuma zīme vienādmalu trijstūrī brīdina lietotāju, ka šajā brīdī tiek sniegta svarīga informācija par ierīces lietošanu un tehnisko apkopi, kas ietverta ierīcei pievienotajā dokumentācijā.

Izlasiet šo instrukciju pirms ierīces lietošanas sākšanas, lai iepazītos ar ierīces funkcijām un izmantotu tās atbilstoši paredzētajam mērķim. Tas nodrošinās ilglaicīgu un nevainojamu ierīces darbību un patikamu lietošanu.

Svarīga informācija

- Saglabājiet lietošanas instrukciju un informāciju par drošību turpmākai izmantošanai.
- Nepieļaujiet šķidruma pilēšanu vai izliešanu uz ierīces. Ierīci nedrīkst arī lietot mitrās vietās, piemēram, vannas istabā.
- Šo ierīci nedrīkst uzstādīt šādās vietās:
- vietās, kas pakļautas tiešai saules staru iedarbībai, vai radiatoru tuvumā;
- novietojot to uz cita stereoaprikojuma, kas rada siltumu;
- bloķējot ventilāciju vai putekljainā vietā;
- vietās, kas pakļautas nepārtrauktām vibrācijām;
- vietās ar augstu mitruma līmeni.
- Ierīci nedrīkst uzstādīt sveču vai atklātas uguns tuvumā.
- Ierīci var lietot tikai šajā instrukcijā aprakstītajā veidā.
- Pirms ierīces pirmās ieslēgšanas reizes pārliecinieties, ka barošanas bloks ir pareizi pievienots.
- Pievienojiet USB atmiņu tiešā veidā vai izmantojot 25 cm garu USB pagarinātāju.

Drošības apsverumu nedrīkst demontēt korpusus un iekļūt ierīces iekšpusē. Ierīces remonts jāveic kvalificētam servisa centra personālam.

Neizjauciet ierīci un neatveriet tās korpusu, jo tas iekšā nav nekādu elementu, ko lietotājs var remontēt patstāvīgi. Ierīces tehnisko apkopi un remontu var veikt tikai kvalificēti servisa centra darbinieki.

DROŠĪBAS INSTRUKCIJAS

- 1. Izlasiet instrukcijas** — pirms ierīces lietošanas sākšanas izlasiet visu lietošanas instrukciju un informāciju par drošību.
- 2. Saglabājiet instrukcijas** — saglabājiet lietošanas instrukcijas turpmākai izmantošanai.
- 3. Ievērojiet brīdinājumus** — ievērojiet visus brīdinājumus, kas sniegti uz ierīces, un lietošanas instrukcijas.
- 4. Ievērojiet instrukciju** — ievērojiet lietošanas instrukciju un norādījumus lietotājam.
- 5. Uzstādīšana** — uzstādi ierīci atbilstoši ražotāja instrukcijām.
- 6. Barošanas avoti** — ierīcei ir jābūt barotai tikai no avotiem ar parametriem, kas norādīti marķējumā uz barošanas kabeļa. Ja lietotājs nav pārliecināts, kāda veida barošanas avots ir viņa mājās, viņam ir jāsazinās ar ierīces pārdevēju vai vietējo elektroenerģijas piegādātāju.
- 7. Barošanas avota izemēšana vai polarizācija** — ierīcei nav jābūt izemētai. Pārliecinieties, ka kontaktdakša ir pilnībā ievietota elektrotīkla kontaktligzdā vai pagarinātājā, lai nepieļautu kontakttapu vai kontaktu atklāšanu. Dažas ierīces versijas var būt aprīkotas ar polarizētu mainstrāvas kontaktdakšu (ar vienu platāku kontakttapu). Šo kontaktdakšu var pievienot elektrotīkla kontaktligzdai tikai vienā veidā. Tā ir aizsardzības funkcija. Ja kontaktdakšu nav iespējams ievietot kontaktligzdā, mēģiniet to apgriezti otrādi. Ja kontaktdakša joprojām neatbilst kontaktligzdai, uzdodiet tās nomainīt elektrīķim. Nenovietojiet aizsargus no polarizētās kontaktdakšas. Izmantojot pagarinātāju vai citu barošanas vadu, kas neietilpst ierīces komplektā, tiem ir jābūt atbilstošām kontaktdakšām un drošības sertifikātam, kas nepieciešams noteiktā valstī.
- 8. Barošanas kabeļa aizsargs** — novietojiet barošanas kabeļus tā, lai nebūtu iespējams staigāt pa tiem, saspiest vai sagriezt tos ar citiem priekšmetiem. Pievērsiet īpašu uzmanību kontaktdakšām, elektrotīkla kontaktligzdām un vietām, kur kabeļi tiek izvadīti no ierīces.
- 9. Pārslodze** — nepārslogojiet sienas kontaktligzdas, pagarinātājus un elektriskos sadalītājus, jo tas var izraisīt ugunsgrēku vai elektrošoku.
- 10. Ventilācija** — ierīcei jābūt atbilstoši vēdinātai. Ierīci nedrīkst uzstādīt uz gultas, dīvāna vai līdzīgām virsmām. Ierīci nedrīkst aizseg ar galdautiem, salvetēm, avizēm utt.
- 11. Siltums** — neuzstādi ierīci siltuma avotu, piemēram, radiatoru, sildītāju, krāšņu vai citu ierīču (tostarp pastiprinātāju), kas rada siltumu, tuvumā. Neuzstādiel aizdegta sveces un citus atklātas uguns avotus uz ierīces.
- 12. Ūdens un mitrums** — lai samazinātu ugunsgrēka vai elektrošoka risku, nepakļaujiet ierīci tiešai lietus, ūdens un mitruma iedarbībai, piemēram, pirti vai vannas istabā. Nelietojiet šo ierīci ūdens tuvumā, piemēram, vannas, izlietnes, virtuves izlietnes vai veļas tovera tuvumā, mitrā pagrabā vai peldbaseina tuvumā (vai līdzīgās vietās).
- 13. Priekšmeti un šķidrums ierīcē** — neievietojiet nekādus priekšmetus cauri ierīces atverēm, jo tie var saskarties ar vietām zem bīstamā sprieguma un detaļām, kas var izraisīt ugunsgrēku vai elektrošoku. Nekādā gadījumā nedrīkst izliet nekādus šķidrumus uz ierīces virsmas. Uz ierīces augšpusē nedrīkst novietot priekšmetus, kas satur šķidrumus.

14. Tīrīšana — pirms ierīces tīrīšanas vienmēr atvienojiet to no elektrotīkla kontaktligzdas. Putekļus ap skaļruni var ņemt ar sausu lupatīni. Ja tīrīšanai ir jāizmanto aerosols, nevērsiet izsmidzināmo strūklu tieši pret ierīci, bet gan uz lupatīni. Pievērsiet uzmanību tam, lai nesabojātu piedziņas vienības.

15. Papildaprīkojums — nedrīkst lietot piederumus, ko ražotājs nav apstiprinājis, jo tie var radīt risku.

16. Piederumi — ierīci nedrīkst uzstādīt uz nestabiliem ratiņiem, statīva, balsta vai galdā. Ierīce var apgāzties, sabojāties un radīt nopietnas traumas bērnam vai pieaugušajam. Izmantojiet tikai ratiņus, statīvus, balstus un galdus, ko norādījis ražotājs vai kas tiek pārdoti kopā ar ierīci. Ierīces salikšana ir jāveic atbilstoši ražotāja instrukcijām, izmantojot ražotāja ieteikto montāžas komplektu.

17. Ierīces pārvietošana — pārvietojiet ierīci, kas novietota uz ratiņiem, ļoti piesardzīgi. Pēkšņa apstāšanās, pārmērīgs spēks vai nelīdzsvarotība var izraisīt ratiņu ar ierīces apgāšanos.

18. Ierīces nelietošanas laiks — atvienojiet barošanas kabeli no elektrotīkla kontaktligzdas pērkona negaisa laikā vai ja ierīce netiks lietota ilgāku laiku.

19. Tehniskā apkope un remonts — nemēģiniet patstāvīgi veikt ierīces apskati. Vāka atvēršana var izraisīt saskari ar bīstamu spriegumu un citā veidā apdraudēt lietotāju. Ierīces tehnisko apkopi un remontu var veikt tikai kvalificēti servisa centra darbinieki.

20. Ja ierīce netiek lietota, atvienojiet tās kontaktakšus no elektrotīkla kontaktligzdas. Ja ierīce ir pievienota barošanas avotam, tā ir gaidstāves režīmā un nav pilnīgi izslēgta.

21. Rezerves daļas — nomainiet ierīces daļas pret jaunām, pārliecinieties, ka servisa centra darbinieks ir izmantojis ražotāja ieteiktās rezerves daļas vai ka tās ir identiskas oriģinālajām daļām. Daļas nomaina veiktšana, izmantojot neapstiprinātas daļas, var izraisīt ugunsgrēku, elektrošoku vai citus riskus.

22. Galvenie drošinātāji — lai nodrošinātu nepārtrauktu ierīces aizsardzību pret uguni, izmantojiet drošinātājus ar atbilstošu tipu un parametriem. Drošinātāju parametri noteiktā sprieguma diapazonā ir norādīti uz ierīces.

23. Nepaaugstiniet skaļumu, klausoties dziesmas fragmentu ar zemu skaļumu vai ja nav ieejas audio signāla. Pretējā gadījumā signāla intensitātes straujā paaugstināšanās var izraisīt skaļruņa bojājumu.

24. Vienīgais veids, kā pilnībā atvienot ierīci no barošanas avota, ir atvienot barošanas kabeli no barošanas kontaktligzdas vai ierīces. Elektrotīkla kontaktligzdai vai barošanas kabeļa ieejai ierīcē ir vienmēr jābūt pieejamām ierīces lietošanas laikā.

25. Ierīce ir jānovieto elektrotīkla kontaktligzdas vai pagarinātāja tuvumā tā, lai tie vienmēr būtu pieejami.

26. Maksimālā temperatūra ierīces apkārtņē ir 35 °C.

27. Norādījumi par elektrostātiskajām izlādēm — ja ierīces darbību traucē elektrostātiskās izlādes, izslēdziet ierīci un atkārtoti ieslēdziet to vai pārvietojiet ierīci citā vietā.

28. Baterija

a. Baterijas nedrīkst pakļaut pārmērīga siltuma, piemēram, saules staru, uguns un tml. iedarbībai.

b. Utilizējot baterijas, pievērsiet uzmanību apkārtējās vides aizsardzības aspektiem.

c. Brīdinājums par bateriju lietošanu: lai novērstu baterijas noplūdi, kas var izraisīt traumas vai ierīces bojājumus:

- ievietojot bateriju, ņemiet vērā tā polaritāti (+ un -);
- nedrīkst vienlaicīgi lietot dažāda veida baterijas — vecās un jaunās, standart un sārma baterijas utt.;
- izņemiet baterijas no ierīces, kad tā netiek lietota ilgāku laiku.

Piezīme par ERP2 (ar enerģiju saistītām iekārtām)

Šī ekodizaina ierīce atbilst Komisijas Regulas (EK) Nr. 1275/2008, ar ko īsteno Eiropas Parlamenta un Padomes Direktīvu 2005/32/EK iestrādātās ekodizaina prasības attiecībā uz elektrisko, elektronisko mājaisaimniecības un biroja iekārtu elektroenerģijas patēriņu gatavības un izslēgtā režīmā, 2. posma prasībām.

Pēc 30 minūtēm bez ieejas audio signāla ierīce automātiski pāriet gaidstāves režīmā. Informāciju par normālas darbības atjaunošanu var atrast lietošanas instrukcijā.

Svarīga informācija

Šī ierīce ir aprīkota ar enerģijas taupīšanas režīma funkciju: ja 15 minūšu laikā tai netiek nosūtīts ieejas signāls, ierīce automātiski pāriet gaidstāves režīmā, lai taupītu enerģiju (ERP 2 standarts). Ņemiet vērā, ka zema skaļuma līmeņa iestāšana audio signāla avotā var tikt atzīta par stāvokli "nav audio signāla": tas var ietekmēt ierīces spēju uztvert signālu no ierīces un izraisīt automātisku pāreju gaidstāves režīmā. Šādā gadījumā ir jāatjauno audio signāla avots vai jāpaaugstina skaļuma līmenis audio signāla avotā (MP3 atskaņotājā u. tml.), lai atsāktu atskaņošanu. Ja problēma joprojām pastāv, sazinieties ar vietējo servisa centru.

BRĪDINĀJUMS Ierīci nedrīkst lietot personas (tostarp bērni) ar samazinātām fiziskām, maņu vai garīgām spējām un personas ar nepietiekamām zināšanām un pieredzi, ja vien viņas neatrodas personas, kas atbilst par viņu drošību, uzraudzību un nav apmācītas, kā droši lietot ierīci. Pieaugušo klātbūtnē ir nepieciešama, ja ierīci lieto bērni, lai nodrošinātu drošu ierīces lietošanu.

1. Neatstājiet ierīci darbības laikā bez uzraudzības! Izslēdziet ierīci, ja tā netiek lietota, pat īsu brīdi.
2. Ierīci nedrīkst apkalpot, izmantojot ārējo taimeri vai atsevišķu sistēmu ar tālvadību.
3. Lai izvairītos no riska, kas rodas barošanas kabeļa bojājuma gadījumā, tās nomaina ir jāveic ražotājam, pilnvarotam servisa centram vai citai personai ar atbilstošu kvalifikāciju.
4. Pirms ierīces lietošanas sākšanas pārliecinieties, ka tās spriegums atbilst spriegumam vietējā barošanas tīklā.
5. Neaizsedziet ierīces ventilācijas atveres, piemēram, ar avīzēm, galdautu, aizkariem u. tml. Pārliecinieties, ka virs ierīces ir vismaz 20 cm brīvas vietas un vismaz 5 cm katrā tās pusē.
6. Nepieļaujiet šķidruma pilēšanu vai izliešanu uz ierīces un nenovietojiet uz tās priekšmetus, kas piepildīti ar šķidrumiem, piemēram, vāzes.
7. Lai izvairītos no ugunsgrēka vai elektrošoka, aizsargājiet ierīci no karstām vietām, lietus, mitruma un putekļu iedarbības.
8. Nenovietojiet ierīci nekādā ūdens avotā, piemēram, krānu, vannu, veļas mazgājamo mašīnu vai peldbaseinu tuvumā.
9. Uzstādiet ierīci uz līdzsvarot un stabilas pamatnes.
9. Nepakļaujiet ierīci spēcīga magnētiskā lauka iedarbībai.

10. Nenovietojiet ierīci tieši uz pastiprinātāja vai resivera.
11. Nenovietojiet ierīci mitrā vietā, jo mitrums negatīvi ietekmē elektriskās detaļas.
12. Pēc ierīces pārvietošanas no aukstas siltā vietā vai mitrā vietā mitrums var kondensēties uz atskaņotāja lēcas. Šādā gadījumā ierīce nedarbosies pareizi. Atstājiet ierīci ieslēgtu uz aptuveni vienu stundu, lai mitrums iztvaikotu.
13. Ierīci nedrīkst tīrīt ar ķīmiskiem šķīdinātājiem, jo tie var sabojāt korpusa lakas pārklājumu. Noslaukiet ierīci ar tīru, sausu vai nedaudz samitrinātu lupatiņu.
14. Izvelkot kontaktdakšas no sienas kontaktligzdas, vienmēr velciet aiz kontaktdakšas, nevis aiz barošanas kabeļa.
15. Ja ieslēgtā ierīce tiek lietota ieslēgta televizora tuvumā, tas var radīt atēlā traucējumus liniju uz ekrāna veidā. Tas ir atkarīgs no TV pārraides viļņu joslas. Tas nenozīmē, ka ierīce vai televizors darbojas nepareizi. Ja ir redzamas šādas līnijas, attāliniet ierīci no televizora.
16. Elektrotīkla kontaktdakša ir paredzēta atvienošanai no barošanas sprieguma, un tai ir vienmēr jābūt pieejamai.
17. Lai izvairītos no iespējamās dzirdes zaudēšanas, neklausieties mūziku skaļi pārāk ilgi.



PIEZĪME
Deklarācija



Ar šo uzņēmums Blaupunkt Competence Center 2N-Everpol Sp. z o.o. apliecina, ka šī ierīce atbilst Direktīvas 2014/53/ES prasībām un citiem attiecīgajiem noteikumiem. Pilnu atbilstības deklarāciju var iegūt produkta cilnē timekļa vietnē www.blaupunkt.com.

Reģistrācijas apliecības īpašnieks: 2N-Everpol Sp. z o.o., Puławska 403A, 02-801 Warszawa, Polija, tālrunis: +48 22 688 08 00, e-pasts: info@everpol.pl



Produkts ir izgatavots no augstas kvalitātes materiāliem un sastāvdaļām, ko var nodot otrreizējai pārstrādei un izmantot atkārtoti.



Ja uz jūsu ierīces ir pārsvītrotas atkritumu tvētnes simbols, tas nozīmē, ka uz produktu attiecas Eiropas Direktīvas 2012/19/ES noteikumi. Pamatojoties uz to, lūdzu, ievērojiet vietējos noteikumus un iepazīstieties ar prasībām, kas attiecas uz vietējo elektrisko un elektronisko atkritumu savākšanas sistēmu, un attiecībā uz šo izstrādājumu ievērojiet tās.

NEIZMETIET ŠO PRODUKTU KOPĀ SADZĪVES ATKRITUMIEM!

ŠIS PRODUKTS SATUR BĪSTAMAS VIELAS, MAISIJUMUS UN SASTĀVDAĻAS, KAS NEATĻAUTAS GADĪJUMĀ VAR BŪT IESPĒJAMĀS IETEKMES UZ DABĪGO VIDI UN CILVĒKU VESELĪBU AVOTS!

Pareiza izlietotā produkta utilizācija novērsīs negatīvu ietekmi uz vidi un cilvēku veselību.



Ierīce ir aprīkota ar baterijām, kurām piemēro Eiropas direktīvu 2006/66/EK. Baterijas nedrīkst izmest kopā ar mājāsaimniecības atkritumiem. Iepazīstieties ar vietējo tiesību aktu noteikumiem par bateriju atsevišķu savākšanu, jo to pareiza utilizācija novērs iespējamās negatīvas sekas apkārtējai videi un cilvēku veselībai.

Informācija par apkārtējās vides aizsardzību

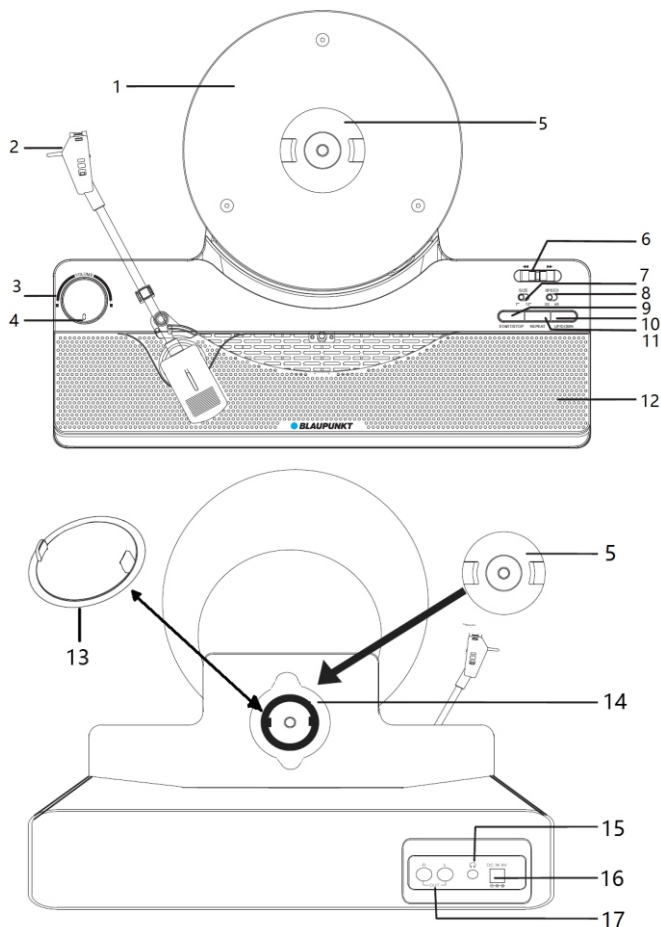
Iepakojums ietver tikai nepieciešamus elementus. Ir izdarīts viss iespējams, lai trīs materiāli, no kuriem izgatavots iepakojums, būtu viegli atdalāmi: kartons (kastīte); polistirola putas (iekšējie aizsargelementi) un polietilēns (maisiņi, aizsargplēve). Ierīce ir izgatavota no materiāliem, ko var nodot otrreizējai pārstrādei un izmantot atkārtoti pēc to demontāžas specializētā uzņēmumā. Ievērojiet vietējo tiesību aktu noteikumus par iepakojuma materiālu, nolietoto bateriju un nevajadzīgu ierīču utilizāciju. Materiālu ierakstīšanai un atskaņošanai var būt nepieciešama atļaujas iegūšana. Skatīt likumu par autortiesībām un izpildītāju/mākslinieku tiesībām.



Preču zīmju un logotipa Bluetooth® īpašnieks ir uzņēmums Bluetooth SIG, Inc. USA. Šo preču zīmju un logotipu izmantošanai ir vajadzīga licence. Citas preču zīmes un tirdzniecības nosaukumi pieder attiecīgajiem īpašniekiem.

Paldies, ka izvēlējāties mūsu modeli. Pirms sākat lietot ierīci, uzmanīgi izlasiet šo instrukciju un iepazīstieties ar to. Saglabājiet instrukciju turpmākai izmantošanai.

Vadības ierīču izvietojums



- 1- Atskaņotāja disks
- 2- Atskaņotāja ieliktnis ar adatu
- 3- Funkciju grozāmā poga (ieslēgšana/izslēgšana, atskaņošanas režīma izvēle, skaļuma regulēšana)
- 4- Gaismas diodžu atskaņošanas režīma indikators (baltā krāsa = vinila plašu atskaņošanas režīms; mirgojoša baltā krāsa = vinila plašu atskaņošanas režīms ar Bluetooth signāla pārraidi uz ārējām ierīcēm, piemēram, aktīviem ārējiem skaļruņiem, Bluetooth austiņām u. tml.; zilā krāsa = Bluetooth atskaņošanas režīms ārējām ierīcēm — viedtālrunim, planšetdatoram, datoram)
- 5- Stiprināšanas gredzens vinila plates piestiprināšanai pie atskaņotāja diska
- 6- Atskaņošanas uz priekšu/atpakaļ vadības pārslēgs
- 7- Plates izmēra izvēles pārslēgs: 7" vai 12"
- 8- Atskaņošanas ātruma izvēles pārslēgs (33 vai 45 apgr./min.)
- 9- Poga "START/STOP" vinila plates atskaņošanas ieslēgšanai un apturēšanai
- 10- Poga "UP/DOWN" atskaņotāja pleca nolaišanai un pacelšanai
- 11- Poga "REPEAT" plates atkārtotas atskaņošanas funkcijas ieslēgšanai
- 12- Iebūvēts skaļrunis
- 13- Plates centrēšanas gredzens ar lielu caurumu
- 14- Turētājs plates centrēšanas un stiprināšanas gredzena glabāšanai
- 15- Austiņu izeja
- 16- Lidzstrāvas padeves ligzda
- 17-RCA lineārā audio izeja

Pirms atskaņotāja pirmās lietošanas reizes noņemiet aizsargu no atskaņotāja pleca un piesardzīgi noņemiet caurspīdīgo adatas aizsargvāciņu (skatiet tālāk sniegto attēlu). Pievienojiet komplektā ietilpstošo maņstrāvas/līdzstrāvas barošanas bloku mājas maņstrāvas kontaktligzdai, lai iegūtu barošanas avotu. Pēc tam pievienojiet barošanas bloka līdzstrāvas savienojumu līdzstrāvas padeves ligzdai uz aizmugurēj

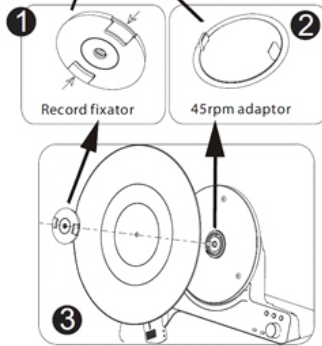
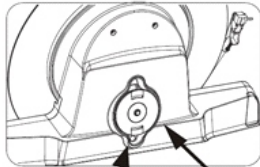


(Noņemiet adatas caurspīdīgo aizsargvāciņu.)

Vinila plašu atskaņotāja ieslēgšana/izslēgšana/atkaņošanas režīma pārlēgšana/skaļuma regulēšana: nospiediet funkciju grozāmo pogu un turiet to nospiestu trīs sekundes, lai ieslēgtu/izslēgtu ierīci; īsi nospiediet grozāmo pogu, lai pārlēgtu atkaņošanas režīmu starp vinila plašu atkaņošanu/vinila plātes atkaņošanas ar signāla pārraidi ar Bluetooth OUT/Bluetooth atkaņošanu (Bluetooth IN). Pēc atkaņošanas režīma pārlēgšanas parādās attiecīgs skaņas ziņojums par izvēlēto režīmu. Pagrieziet grozāmo pogu, lai samazinātu vai paaugstinātu izejas skaļumu.

Vispārīgās piezīmes par vinila plātēm:

1. pirms vinila plātes atkaņošanas mēģiniet to iztīrīt no putekļu daļiņām. Izmantojiet šim mērķim piemērotu birsti, un, ja netīrumi ir spēcīgāki, īpašu vinila plašu tīrīšanas līdzekli. Šie piederumi neietilpst komplektā.
2. Netīra un puteklaina plāte būtiski ietekmē atkaņotās skaņas kvalitāti, kas var izpausties kā trokšņi un nelieli izkropojumi.
3. Ja plātes virsma ir nelīdzena (bieži sastopama parādība vecāku plašu gadījumā), tas var izraisīt diska šūpošanas atkaņošanas laikā un celiņa maiņu, kas ietekmē skaņas kvalitāti. Ņemiet vērā, ka tas nav šī vinila plašu atskaņotāja trūkums. Lai to mazinātu šo parādību, centieties pareizi novietot plati uz diska un stingri nostipriniet to ar stiprināšanas gredzenu.



Vinila plašu atkaņošana

Lai atskaņotu plati, veiciet tālāk aprakstītās darbības.

1. Ieslēdziet ierīci, īsi nospiediet funkciju grozāmo pogu (3), lai pārietu uz vinila atkaņošanas režīmu. Gaismas diodžu režīma izvēles indikators (4) deg baltā krāsā, un no skaļruņa atskan skaņas ziņojums "VINYL".
2. Nospiediet un turiet nospiestu vinila plātes stiprināšanas gredzenu kreiso un labo bloķēšanas pogu, lai to izņemu no turētāja uz atskaņotāja aizmugurējā panela.
3. Piesardzīgi novietojiet vinila plati uz atskaņotāja diska, pēc tam nostipriniet to pie diska ar stiprināšanas gredzenu, fiksējot to uz vārpstas, kas izvirzās no plātes centrālajā caurumā.
4. Izmantojot pogas uz priekšējā panela, izvēlieties atbilstošu plātes izmēru (7) un griešanās ātrumu (8).
5. Iši nospiediet pogu "START/STOP" (9), lai sāktu atskaņot plati. Atskaņotāja plecs automātiski pārvietojas līdz plātes malai, lai sāktu atskaņot pirmo dziesmu. Atkārtoti nospiediet šo pogu, lai pārtrauktu atkaņošanu, un atskaņotāja plecs automātiski atgriežas plecs turētājā.
6. Lai pārietu uz iepriekšējo vai nākamo dziesmu, pārvietojiet atkaņošanas vadības pārlēgtu attiecīgi uz priekšu/uz aizmuguri (6); lai paceltu vai nolaiestu atskaņotāja plecu, nospiediet pogu "UP/DOWN" (10).
7. Iši nospiediet pogu "REPEAT" (11), lai ieslēgtu vinila plātes atkaņošanas atkārtēšanas funkciju. Gaismas diodžu indikators (4) iedegas zaļā krāsā. Pēc plātes atkaņošanas pabeigšanas, plecs automātiski pārvietojas un sāk atskaņot plati no sākuma. Atkārtoti nospiediet pogu "REPEAT" (11), lai atceltu atkārtēšanas funkciju.

Disku ar lielu centrālo caurumu atkaņošana (parasti diski ar atkaņošanas ātrumu 45 apgr./min): Atskaņojot vinila plati ar lielu centrālo caurumu, vispirms ievietojiet iedziļinājuma diskā (tā centrālajā daļā) centrēšanas gredzenu, kas atrodas turētājā uz atskaņotāja aizmugurējā panela, pēc tam uzlieciet uz tā vinila plati ar lielu caurumu un nostipriniet stiprināšanas gredzenu tā, lai fiksatori, kas izvirzās no centrēšanas gredzena, ieltu caurumos stiprināšanas gredzena iekšējā daļā. Iepazīstieties ar tālāk sniegto attēlu, kas attiecas uz šo darbību.

Vinila plašu atkaņošana ar Bluetooth signāla pārraidi uz ārējo ierīci (Bluetooth OUT): šis modelis ir aprīkots ar Bluetooth OUT funkciju, kas vinila plātes atkaņošanas laikā nodrošina audio signāla bezvadu pārraidi uz ārējām ierīcēm tādiem kā aktīvi Bluetooth skaļruņi (piemēram, plaunkta skaļruņi BLAUPUNKT BS60, BS50, BS40), Bluetooth austiņas un citi skaļruņi ar Bluetooth IN moduli. Lai ieslēgtu audio signāla pārraides uz ārējo Bluetooth ierīci, ar funkciju grozāmo pogu (3) izvēlieties vinila plātes atkaņošanas režīmu ar Bluetooth signāla pārraidi (gaismas diodžu atkaņošanas režīma indikatoram jāmirgo baltā krāsā, kas nozīmē gatavību savienošanai pāri ar ārējo Bluetooth ierīci, un no skaļruņa atskan skaņas ziņojums "VINYL STREAM"). Ieslēdziet ārējo Bluetooth ierīci un pārlēdziet to Bluetooth savienošanas pāri režīmā (sīkāka informācija atrodama ārējās ierīces lietošanas instrukcijā). Šis vinila plašu atskaņotājs automātiski atklāj un ārējo Bluetooth ierīci un savienojas ar to pāri. Pēc veiksmīgas savienošanas pāri ar ārējo Bluetooth ierīci gaismas diodžu indikators pārstatīs mirgot uz deg baltā krāsā, un no skaļruņa atskan skaņas ziņojums "CONNECTED". Pēc tam nospiediet pogu "START/STOP" (9), lai sāktu vinila plātes atkaņošanu, un skaņa tiek atskaņota ar ārējo Bluetooth ierīci.

Piezīmes.

1. Ņemiet vērā, ka šajā atskaņošanas režīmā skaļuma regulēšana ir pieejama pievienotajā ārējā ierīcē, nevis šajā atskaņotājā.
2. Optimālais darba attālums starp šo atskaņotāju un ārējo Bluetooth ierīci ir 10 metri, ja starp ierīcēm nav šķēršļu.

Bluetooth IN atskaņošana

Šis atskaņotājs ir aprīkots ar Bluetooth funkciju, kas ļauj atskaņot mūziku atbezvadu režīmā no citām Bluetooth ierīcēm (piemēram, viedtālruniem, planšetdatoriem, televizoriem u. tml.), izmantojot iebūvētos skaļruņus.

1. Ieslēdziet ierīci un nospiediet funkciju grozāmo pogu (3), līdz gaismas diodžu režīma izvēles indikators (4) mirgo zilā krāsā un no skaļruņa atskan skaņas ziņojums "BLUETOOTH", kas nozīmē, ka ierīce ir gatava savienošanai pāri ar ārējo Bluetooth ierīci.
2. Ieslēdziet Bluetooth funkciju ārējā Bluetooth ierīcē un sameklējiet savienošanai pāri pieejamas ierīces (skatiet ārējās ierīces lietošanas instrukciju), pēc tam sarakstā atzīmējiet pieejamo Bluetooth ierīci. Izvēlieties "BP VT100" savienošanai pāri, pēc veiksmīgas savienošanas pāri šī atskaņotāja gaismas diodžu režīma izvēles indikators (4) iedegas nepārtraukti, un no tā skaļruņa atskan skaņas ziņojums "CONNECTED".
3. Izvēlieties un atskaņojiet mūziku no ārējās Bluetooth ierīces, atbilstoši noregulējiet skaļumu, pēc tam skaņa tiek atskaņota no šī atskaņotāja iebūvētā skaļruņa.
4. Bluetooth atskaņošanas režīmā izmantojiet vadībai ārējo Bluetooth ierīci.

Piezīmes.

- a. Dažādas konstrukcijas un zīmola dēļ nav garantēts, ka visas Bluetooth ierīces tiks pareizi savienotas pāri.
- b. Labākais Bluetooth darba attālums ir 10 metri bez nekādiem šķēršļiem starp ierīcēm.
- c. Ierīce var tikt savienota pāri un darboties tikai kopā ar vienu Bluetooth ierīci vienlaikus.
- d. Ieņākošā zvana Bluetooth atskaņošanas laikā gadījumā mūzika tiek apturēta uz laiku un atjaunota pēc zvana beigām.

RCA lineārā izeja

Atskaņotājs ir aprīkots ar vienu RCA lineāro izeju, kas nodrošina tā vadu savienošanu ar aktīvu ārējo skaļruni vai pastiprinātāju iespēju. Signāls lineārajā izejā ir pieejams vinila plates atskaņošanas laikā un Bluetooth režīmā.

Izmantojot RCA–RCA audio kabeli (neietilpst komplektā), savienojiet atskaņotāja RCA lineāro izeju ar ārējās ierīces RCA lineāro ieeju. Pārslēdziet avotu ārējā ierīcē uz lineārās ieejas režīmu un noregulējiet skaļuma līmeni. Izvēlieties un atskaņojiet mūziku atskaņotājā, pēc tam skaņa parādās gan atskaņotāja iebūvētajā skaļrunī, gan ārējā ierīcē.

Lai novērstu skaņas no atskaņotāja iebūvētajiem skaļruņiem un RCA lineārajai izejai pievienotajām ārējām ierīcēm pārklāšanos var pilnībā izslēgt skaņu atskaņotāja skaļruņos, izmantojot funkciju grozāmo pogu (3). Signālam lineārajā izejā ir pastāvīgs līmenis, un tā skaļumu var regulēt ar skaļuma regulatoru ārējā ierīcē.

Austiņu izeja: pievienojiet vadu austiņas austiņu ligzdai uz atskaņotāja aizmugurējā paneļa. Skaņa iebūvētajos skaļruņos tiek izslēgta un ir pieejama tikai austiņās. Noregulējiet austiņu skaļuma līmeni, izmantojot funkciju grozāmo pogu (3).

Izmantojot atbilstošu kabeli, signālu no austiņu izejas var arī ievadīt AUX izejā, piemēram, mikro mūzikas centrā, aktīvos skaļruņos u. tml.

Izmantojot Bluetooth austiņas, ieteicams pievienot tās vinila plašu atskaņošanas režīmā ar Bluetooth signāla pārraidi uz ārējo ierīci (Bluetooth OUT). Savienošanas veids ir aprakstīts šīs instrukcijas iepriekšējā nodaļā.

Adatas nomaīņa AT3600L ieliktni

Normālas lietošanas gadījumā adata var izturēt aptuveni 300 stundas. Adatu ieteicams nomainīt tikai tad, ja ir pamanīta skaņas kvalitātes izmaiņa.

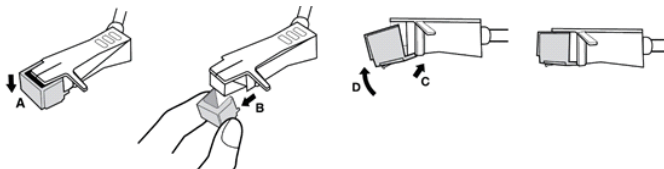
1. Adatas izņemšana no ieliktna

- a. Piesardzīgi satveriet ar pirkstiem adatas korpusa sānus un pārbīdiet to uz leju (kā parādīts attēlā "A").
- b. Izvelciet adatu, kā parādīts attēlā "B".

Piezīme. Ievērojiet piesardzību izņemot adatu no ieliktna. Pārāk liela spēka piemērošana var izraisīt ieliktna bojājumu vai adatas lūzumu.

2. Jaunas adatas uzstādīšana ieliktnī

- a. Turiet adatas korpusu un ievietojiet to ieliktnī attēlā "C" parādītajā virzienā.
- b. Pārvietojiet adatu augšup, kā parādīts attēlā "D", līdz tā bloķējas ieliktnī.



Bridinājums!

1. Pirms adatas nomainīšanas atvienojiet vinila plašu atskaņotāju no barošanas avota. Neizņemiet pašu adatu no korpusa un nelieciet to.

2. Asas malas, nepieskarieties adatai, lai izvairītos no rokas savainošanas. Turiet to bērniem nepieejamā vietā.



3. Adatas nomainīšanu ieteicams uztvert pieredzējušām vai profesionālam servisa speciālistam.

Problēmu risināšana

1. Atskaņotājs nevar ieslēgties.

a. Pārļiecinieties, ka barošanas avots ir pareizi pievienots.

2. Nav skaņas.

a. Mēģiniet noregulēt skaļumu ar regulēšanas grozāmo pogu un pārbaudiet atskaņošanas avotu.

b. Ja problēma joprojām pastāv, sazinieties ar servisa centru, lai saņemtu palīdzību.

3. Skaņas kropļojumi.

a. Mēģiniet atskaņot mūziku ar zemāku skaļuma līmeni.

b. Mēģiniet iztīrīt vinila plati un mēģiniet vēlreiz.

4. Skaņa ir pārtraukta Bluetooth režīmā.

a. Mēģiniet pārvietot Bluetooth ierīci tuvāk atskaņotājam.

b. Mēģiniet atkārtoti savienot atskaņotāju pāri ar Bluetooth ierīci.

Specifikācija

Barošanas avots: līdzstrāvas ieeja 9 V/1,5 A

RMS izejas jauda: 2 x 5 W, THD 10 %

Bluetooth versija: V5.1

Bluetooth moduļa darbības tālums: aptuveni 10 metri

Pārraidēšanas frekvence: 2,402~2 480 GHz

Atbalstītie protokoli: A2DP/AVCTP/AVDTP/AVRCP/GAVDP/HFP/HID/OPP/RFCOMM/SPP

Atskaņotāja apgriezīgu novirzi: aksiālā mēšana < 0,6 mm

Ieliktna spiediens: 3,5 g (+/-0,5 g)

Ieliktna modelis: AT3600L, zīmols Audio Technica

Jaudas patēriņš: 13,5 W

Jaudas patēriņš gaidstāves režīmā: < 0,5 W

(Piezīmes: ierīces specifikācija var tikt izmainīta bez iepriekšēja paziņojuma.)

Power adaptor information		
Information published	Value and precision	Unit
Manufacturer's name or trade mark Commercial registration number Address	Shenzhen Simsukian Electronics Technology CO., LTD The 5th plant, Jiayi Industrial Park, Daping Community, Guanlan Street, Longhua District, Shenzhen P.R. China	
Model identifier	SK01T8-0900150V	
Input voltage	100-240	V
Input AC frequency	50/60	Hz
Output voltage	DC9	V
Output current	1.5	A
Output power	13.5	W
Average active efficiency	≥84.845	%
Efficiency at low load (10%)	82.18%	%
No-load power consumption	≤0.049	W



Competence Center

2N-Everpol Sp. z o.o.
ul. Puławska 403A
02-801 Warsaw, Poland
phone: +48 22 688 08 00
e-mail: info@everpol.pl
www.blaupunkt.com

W przypadku pytań lub problemów prosimy o kontakt z naszym serwisem.

In case of questions or problems please contact our service .

Tel. 00 48 22 688 08 33 E-mail: info@blaupunkt-audio.pl

Wszelkie prawa zastrzeżone. Wszystkie nazwy marek są zarejestrowanymi znakami towarowymi należącymi do odpowiednich podmiotów. Dane i parametry techniczne mogą ulec zmianie bez wcześniejszego uprzedzenia.

All rights reserved. All brand names are registered trademarks of their respective owners. Specifications are subject to change without prior notice.

Niniejszy produkt został wyprodukowany i sprzedany na odpowiedzialność firmy 2N-Everpol Sp. z o.o. BLAUPUNKT, logo BLAUPUNKT oraz logo 100 LAT BLAUPUNKT są znakami towarowymi używanymi na podstawie licencji przez firmę 2N-Everpol Sp. z o.o. Więcej informacji na brand.blaupunkt.com. Wszystkie inne produkty, usługi, firmy, znaki towarowe, nazwy handlowe lub produkty i logo, o których mowa w niniejszym dokumencie, są własnością ich odpowiednich właścicieli.

This product has been manufactured and sold under the responsibility of 2N-Everpol Sp. z o.o.. BLAUPUNKT, BLAUPUNKT logo, and the 100 YEARS BLAUPUNKT logo are trademarks used under license by 2N-Everpol Sp. z o.o. - further information at brand.blaupunkt.com. All other products, services, companies, trademarks, trade or product names and logos referenced herein are the property of their respective owners.

Enjoy it.

Ovaj dokument je originalno proizveden i objavljen od strane proizvođača, brenda Blaupunkt, i preuzet je sa njihove zvanične stranice. S obzirom na ovu činjenicu, Tehnoteka ističe da ne preuzima odgovornost za tačnost, celovitost ili pouzdanost informacija, podataka, mišljenja, saveta ili izjava sadržanih u ovom dokumentu.

Napominjemo da Tehnoteka nema ovlašćenje da izvrši bilo kakve izmene ili dopune na ovom dokumentu, stoga nismo odgovorni za eventualne greške, propuste ili netačnosti koje se mogu naći unutar njega. Tehnoteka ne odgovara za štetu nanесenu korisnicima pri upotrebi netačnih podataka. Ukoliko imate dodatna pitanja o proizvodu, ljubazno vas molimo da kontaktirate direktno proizvođača kako biste dobili sve detaljne informacije.

Za najnovije informacije o ceni, dostupnim akcijama i tehničkim karakteristikama proizvoda koji se pominje u ovom dokumentu, molimo posetite našu stranicu klikom na sledeći link:

<https://tehnoteka.rs/p/blaupunkt-vt100sl-gramofon-akcija-cena/>