

Uputstvo za upotrebu (EN)

LENCO TT-115CR gramofon

Lenco[®]



Tehnoteka je online destinacija za upoređivanje cena i karakteristika bele tehnike, potrošačke elektronike i IT uređaja kod trgovinskih lanaca i internet prodavnica u Srbiji. Naša stranica vam omogućava da istražite najnovije informacije, detaljne karakteristike i konkurentne cene proizvoda.

Posetite nas i uživajte u ekskluzivnom iskustvu pametne kupovine klikom na link:

<https://tehnoteka.rs/p/lenco-tt-115cr-gramofon-akcija-cena/>

Classic Phono by **Lenco**

Model : TT-115



**USER MANUAL – Turntable with Bluetooth and USB Play/recording
GEBRUIKERSHANDLEIDING - platenspeler met bluetooth en USB-afspelen/-
opnemen**

**BEDIENUNGSANLEITUNG – Plattenspieler mit Bluetooth und USB-
Wiedergabe/Aufnahme**

**MANUEL de l'UTILISATEUR - Tourne-disque avec Bluetooth et enregistrement/
lecture USB**

**MANUAL DE USUARIO – Tocadiscos con Bluetooth y reproducción / grabación USB
Giradischi con Bluetooth e funzione di riproduzione/registrazione USB: manuale
dell'utente**

**INSTRUKCJA OBSŁUGI – Gramofon z Bluetooth i odtwarzaniem/nagrywaniem USB
BRUGERMANUAL – Pladespiller med Bluetooth- og USB-afspilning/optagelse
BRUKSANVISNING – skivspelare med Bluetooth och USB-uppspelning/inspelning**

Index :

| | |
|-------------------|----|
| English | 3 |
| Nederlands | 15 |
| Deutsch | 26 |
| Français | 38 |
| Español | 49 |
| Italiano | 60 |
| Polski | 71 |
| Dansk/Norsk | 81 |
| Svenska | 92 |

CAUTION:

Usage of controls or adjustments or performance of procedures other than those specified herein may result in hazardous radiation exposure.

PRECAUTIONS BEFORE USE

KEEP THESE INSTRUCTIONS IN MIND:

1. Do not cover or block any ventilation openings. When placing the device on a shelf, leave 5 cm (2") free space around the whole device.
2. Install in accordance with the supplied user manual.
3. Keep the device away from heat sources such as radiators, heaters, stoves, candles and other heat-generating products or naked flame. The device can only be used in moderate climates. Extremely cold or warm environments should be avoided. Working temperature between 0° and 35°C.
4. Avoid using the device near strong magnetic fields.
5. Electrostatic discharge can disturb normal usage of this device. If so, simply reset and restart the device following the instruction manual. During file transmission, please handle with care and operate in a static-free environment.
6. Warning! Never insert an object into the product through the vents or openings. High voltage flows through the product and inserting an object can cause electric shock and/or short circuit internal parts. For the same reason, do not spill water or liquid on the product.
7. Do not use in wet or moist areas such as bathrooms, steamy kitchens or near swimming pools.
8. The device shall not be exposed to dripping or splashing and make sure that no objects filled with liquids, such as vases, are placed on or near the apparatus.
9. Do not use this device when condensation may occur. When the unit is used in a warm wet room with damp, water droplets or condensation may occur inside the unit and the unit may not function properly; let the unit stand in power OFF for 1 or 2 hours before turning on the power: the unit should be dry before getting any power.
10. Although this device is manufactured with the utmost care and checked several times before leaving the factory, it is still possible that problems may occur, as with all electrical appliances. If you notice smoke, an excessive build-up of heat or any other unexpected phenomena, you should disconnect the plug from the main power socket immediately.
11. This device must operate on a power source as specified on the specification label. If you are not sure of the type of power supply used in your home, consult your dealer or local power company.
12. Keep away from animals. Some animals enjoy biting on power cords.
13. To clean the device, use a soft dry cloth. Do not use solvents or petrol based fluids. To remove severe stains, you may use a damp cloth with dilute detergent.
14. The supplier is not responsible for damage or lost data caused by malfunction, misuse, modification of the device or battery replacement.
15. Do not interrupt the connection when the device is formatting or transferring files. Otherwise, data may be corrupted or lost.
16. If the unit has USB playback function, the USB memory stick should be plugged into the unit directly. Don't use an USB extension cable because it can cause interference resulting in failing of data.
17. The rating label has been marked on the bottom or back panel of the device.
18. This device is not intended for use by people (including children) with physical, sensory or mental disabilities, or a lack of experience and knowledge, unless they're under supervision or have received instructions about the correct use of the device by the person who is responsible for their safety.
19. This product is intended for non professional use only and not for commercial or industrial use.
20. Make sure the unit is adjusted to a stable position. Damage caused by using this product in an unstable position vibrations or shocks or by failure to follow any other warning or precaution contained within this user manual will not be covered by warranty.
21. Never remove the casing of this device.
22. Never place this device on other electrical equipment.
23. Do not allow children access to plastic bags.
24. Only use attachments/accessories specified by the manufacturer.

25. Refer all servicing to qualified service personnel. Servicing is required when the device has been damaged in any way, such as the power supply cord or the plug, when liquid has been spilled or objects have fallen into the device, when the device has been exposed to rain or moisture, does not operate normally, or has been dropped.
26. Long exposure to loud sounds from personal music players may lead to temporary or permanent hearing loss.
27. If the product is delivered with power cable or AC power adaptor:
 - If any trouble occur, disconnect the AC power cord and refer servicing to qualified personnel.
 - Don't step on or pinch the power adaptor. Be very careful, particularly near the plugs and the cable's exit point. Do not place heavy items on the power adaptor, which may damage it. Keep the entire device out of children's reach! When playing with the power cable, they can seriously injure themselves.
 - Unplug this device during lightning storms or when unused for a long period.
 - The socket outlet must be installed near the equipment and must be easily accessible.
 - Do not overload ac outlets or extension cords. Overloading can cause fire or electric shock.
 - Devices with class 1 construction should be connected to a main socket outlet with a protective earthed connection.
 - Devices with class 2 construction do not require a earthed connection.
 - Always hold the plug when pulling it out of the main supply socket. Do not pull the power cord. This can cause a short circuit.
 - Do not use a damaged power cord or plug or a loose outlet. Doing so may result in fire or electric shock.
28. If the product contains or is delivered with a remote control containing coin/cell batteries:

Warning:

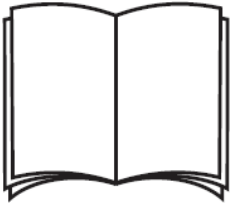
 - "Do not ingest battery, Chemical Burn Hazard" or equivalent working.
 - [The remote control supplied with] This product contains a coin/button cell battery. If the battery is swallowed, it can cause severe internal burns in just 2 hours and can lead to death.
 - Keep new and used batteries away from children.
 - If the battery compartment does not close securely, stop using the product and keep it away from children.
 - If you think batteries might have been swallowed or placed inside any part of the body, seek immediate medical attention.
29. Caution about the use of Batteries:
 - Danger of explosion if battery is incorrectly replaced. Replace only with the same or equivalent type.
 - Battery cannot be subjected to high or low extreme temperatures, low air pressure at high altitude during use, storage or transportation.
 - Replacement of a battery with an incorrect type that can result in an explosion or the leakage of flammable liquid or gas.
 - Disposal of a battery into fire or a hot oven, or mechanically crushing or cutting of a battery, that can result in an explosion.
 - Leaving a battery in an extremely high temperature surrounding environment that can result in an explosion or that leakage of flammable liquid or gas.
 - A battery subjected to extremely low air pressure that may result in an explosion or the leakage of flammable liquid or gas.
 - Attention should be drawn to the environmental aspects of battery disposal.

INSTALLATION

- Unpack all parts and remove protective material.
- Do not connect the unit to the mains before checking the mains voltage and before all other connections have been made.

Accessories included:

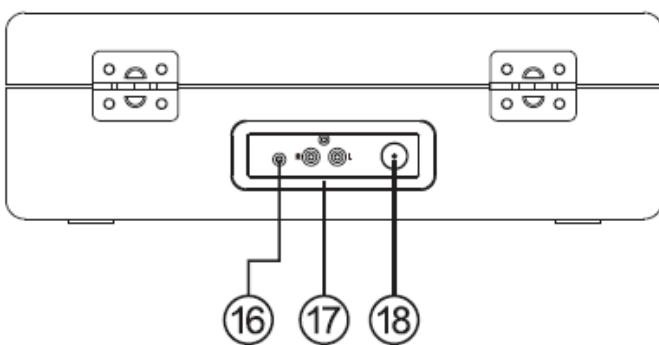
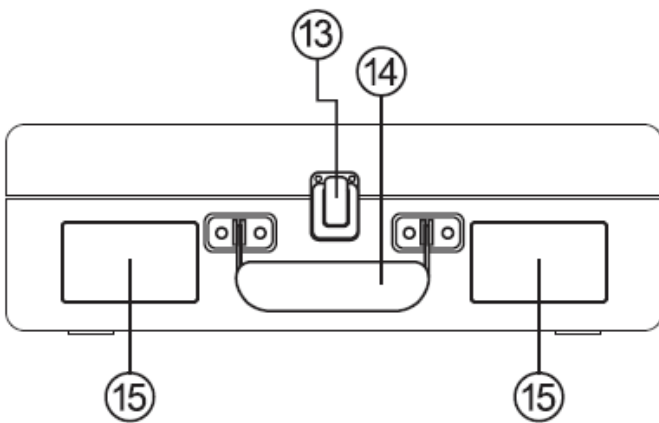
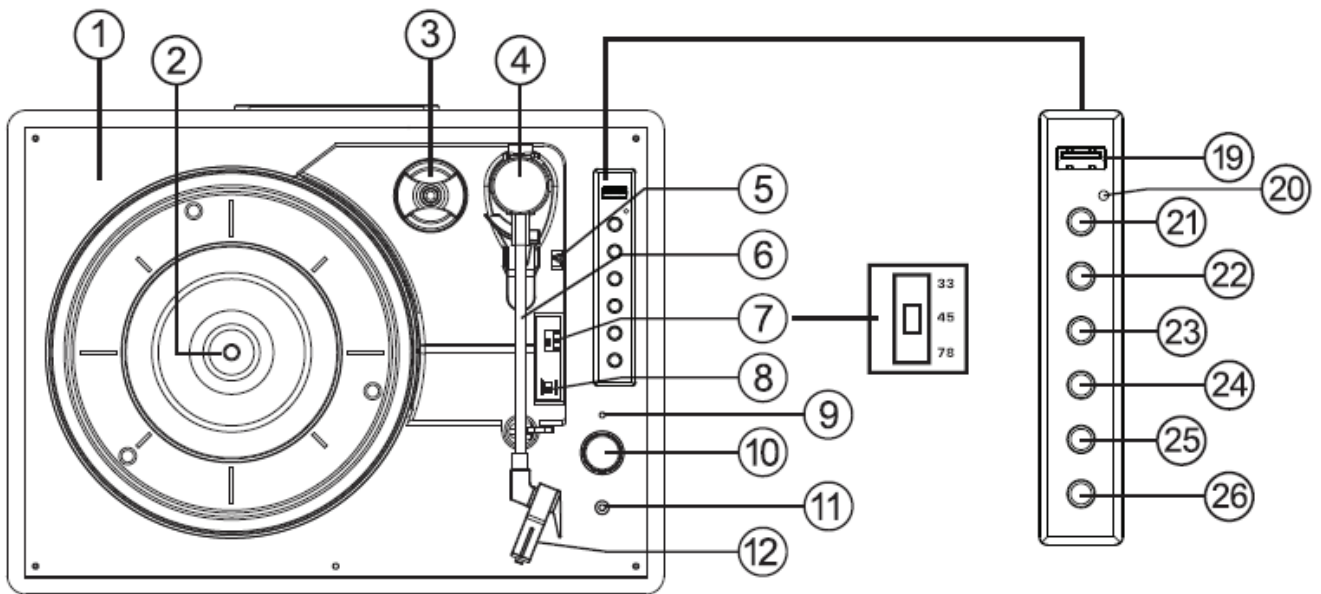
User manual



Power adaptor



Location of Controls



1. Turntable deck
2. Turntable shaft
3. Center hole adaptor
4. Tone arm

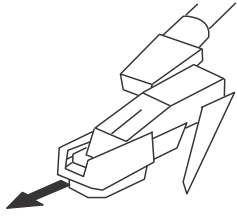
5. Cueing lever
6. Tone arm clip
7. Turntable speed selector
8. Auto stop control switch
9. LED status indicator
10. Power switch/Volume control
11. Headphone jack
12. Stylus
13. Lock catch
14. Carrying handle
15. Speaker
16. Aux in jack
17. Line out channel R/L
18. DC in jack
19. USB slot
20. Function LED
21. Recording
22. Previous track
23. Next track
24. Play/pause
25. Mode
26. Pair

Mode

1. Short press "Mode" to select the playing mode.
2. Blue LED will be flashed when Bluetooth is pairing.
3. Blue LED will be illuminated when Bluetooth is connected
4. Red LED will be illuminated when it is turntable mode/Aux in mode.
5. Green LED will be illuminated when it is USB mode.

Using the turntable

1. Place the turntable case on a flat level surface.
2. Insert the adaptor cord into the Dc jack at the rear of the case and plug the adaptor into the mains supply socket.
3. On first use, ensure that the cable tie is removed from the player arm.
4. Remove the stylus cover and keep in a safe place for future use



5. Move the speed selector to the speed (33,45 or 78rpm) corresponding to the record to be played
6. Turn the Volume knob to turn the turntable on and the mode indicator will illuminate red
7. Place a record onto the turntable spindle and unclip the tone arm
8. Use the cueing lever to lift the tone arm and move the arm so that the stylus is positioned just inside the edge of the record or aligned with the start of the track to be played.
9. Slowly lower the arm and after a short interval the record will start to play
10. Adjust the volume to the desired level by rotating the volume control knob
11. When the end of the record has been reached the turntable will stop
12. Use the lever again to lift the tone arm (the deck will start to rotate again), move it back to the clip and lower into the cradle. The deck will stop
13. Secure the tone arm using the clip and refit the stylus cover after use and always before moving the turntable
14. To turn off the turntable at any time, lift the tone arm on the record and turn the volume knob fully anticlockwise.

Note

Some records have larger center hole and it may be necessary to fit the center hole adaptor to the turntable shaft before placing the record on the turntable. Always refit the stylus cover and secure the turntable arm using the clip before moving the turntable.

Using with auxiliary device

1. Auxiliary analogue audio equipment can be connected and amplified via the turntable.
2. Connect the auxiliary equipment using a 3.5mm jack cable (cable not included) into the Aux in jack.
3. Press the play button on the auxiliary equipment and use the track controls as usual on the auxiliary device.
4. The volume can be adjusted using the volume knob on the turntable or the controls on the connected auxiliary device.
5. To turn off the unit at any time turn the volume knob fully anticlockwise.

Using headphones (not included)

A stereo headphone jack has been provided so that the turntable can be used without disturbing others. Plug in the headphones at the point marked headphone near the volume knob and adjust the listening

volume to your chosen level. Excessive sound pressure from earphones and headphones can cause hearing loss. The turntable speakers will not operate when earphones are fitted.

Connecting the turntable to external speaker

In connecting the turntable to external speakers (via a suitable amplifier), use a twin phono to twin phono lead (not included) to connect the RCA output jacks to the Audio in of the amplifier. Ensure red plugs are inserted into the red sockets and white into white.

Using with Bluetooth device

Check that your turntable is in Bluetooth mode. If you are not already in Bluetooth mode, short press the Mode button until you are in Bluetooth mode (Blue LED will be illuminated). It will begin to search for Bluetooth devices (Blue LED flashed during pairing).

In Bluetooth Mode:

1. Your device will search for Bluetooth.
2. On the device (e.g. iPhone/iPad/Android/other phone/Tablet/Computer), turn on Bluetooth connectivity and ensure that it is 'discoverable'.

Note: If necessary, refer to the instructions for your device to add or set up Bluetooth.

3. Select to 'Add new device', if necessary.

Note: Some products will automatically search for a new device and so the 'Add new device' option is not available.

4. When found, your device will be displayed as 'Lenco TT-115'. Select and begin pairing.
5. When pairing is complete 'Bluetooth Connected' will be displayed.
6. Now that you have paired your device with the turntable, it will connect to it when it is within range, which is about 10 meter or less (33 feet or less), line of sight.
7. Your device will remain paired with the turntable unless you decide to disconnect or 'unpair' it.
8. You can short press "Pair" to reconnect.

Playing Bluetooth

1. Press "Previous" for previous track of your Bluetooth device.
2. Press "Next" for next track of your Bluetooth device.
3. Press "Play/pause" for play or pause of your Bluetooth device.

"This product has a bluetooth **reception** function, **you can not transmit any bluetooth sound with it**: this means that you can receive wirelessly a bluetooth sound signal from an external source like a smartphone."

Using with USB playback

1. Connect USB flash or MP3 player into the USB port.
2. It will play automatically

Using with USB encoding

You can record a vinyl record, Bluetooth and Aux in Mp3 to a USB flash.

1. Connect USB flash into the USB port.
2. Press "mode" to select Bluetooth, turntable or Aux that you intend to be recorded to the USB.
3. Press "REC", the LED will be flashed. And it is recording.
4. To stop recording, press "REC" again.

HOW TO REPLACE THE NEEDLE

To replace the needle, please refer to the instructions below.

Removing the needle from the cartridge

1. Place a screwdriver at the tip of the stylus and push downward as shown in direction "A".
2. Remove the stylus by pulling the stylus forward and pushing downward.

Installing the Stylus

1. Hold the tip of the stylus and insert the stylus by pressing as shown in direction "B".
2. Push the stylus upward as in direction "C" until the stylus locks into the tip position.



Guide Pins (inside)

NOTES

We advise you to clean your records with an anti-static cloth to gain maximum enjoyment from them.

We would also point out that for the same reason your stylus should be replaced periodically (approximately every 250 playback hours)

TIPS FOR BETTER TURNTABLE PERFORMANCE

1. When opening or closing the turntable cover, handle it gently, gripping it either at the centre or at each side.
2. Do not touch the needle tip with your fingers; avoid bumping the needle against the turntable platter or record edge.
3. Frequently clean the needle tip-use a soft brush in a "back-to-front" motion only.

Use only the power supply listed in the user instructions

| Information | Value and precision |
|---|---|
| Manufacturers name or trade mark, commercial registration and address | DongGuan Obelieve Electronic Co., Ltd Huazhaoxin Industrial park B-4/F, Golden phoenix industrial zone, Fenggan town, Dongguan city, Guangdong province, China |
| Model Identifier | OBL-0501000E / OBL-0501000B |
| Input voltage | 100-240V |
| Input AC frequency | 50/60Hz |
| Output voltage | 5V |
| Output current | 1A |
| Output Power | 5W |
| Average active efficiency | 73.62 |
| No load Power consumption | ≤ 0.10 |

Guarantee

Commaxx B.V. offers service and warranty in accordance to European law, which means that in case of repairs (both during and after the warranty period) you should contact your local dealer.

Important note: It is not possible to send products that need repairs to Commaxx B.V. directly.

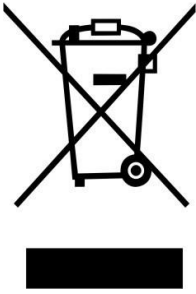
Important note: If this unit is opened or accessed by a non-official service center in any way, the warranty expires.

This device is not suitable for professional use. In case of professional use, all warranty obligations of the manufacturer will be voided.

Disclaimer

Updates to Firmware and/or hardware components are made regularly. Therefore some of the instruction, specifications and pictures in this documentation may differ slightly from your particular situation. All items described in this guide for illustration purposes only and may not apply to particular situation. No legal right or entitlements may be obtained from the description made in this manual.

Disposal of the Old Device



This symbol indicates that the relevant electrical product or battery should not be disposed of as general household waste in Europe. To ensure the correct waste treatment of the product and battery, please dispose them in accordance to any applicable local laws of requirement for disposal of electrical equipment or batteries. In so doing, you will help to conserve natural resources and improve standards of environmental protection in treatment and disposal of electrical waste (Waste Electrical and Electronic Equipment Directive).

DECLARATION OF CONFORMITY

Hereby, Commaxx declares that the radio equipment type [Lenco TT-115] is in compliance with directive 2014/53/EU. The full text of the EU declaration of conformity is available at the following internet address: https://commaxx-certificates.com/doc/tt-115_doc.pdf

| Type RF | Frequency range (MHz) | Power (dBm) |
|-----------|-----------------------|-------------|
| Bluetooth | 2402-2480 | <6 |



WARNING: To prevent possible hearing damage, do not listen at high volume levels for long periods.

Service

For more information and helpdesk support, please visit support.lenco.com

Commaxx B.V. Wiebachstraat 37, 6466 NG Kerkrade, The Netherlands.

LET OP:

Gebruik van bedieningen of afstellingen of uitvoer van procedures anders dan gespecificeerd in deze documentatie kan leiden tot blootstelling aan schadelijke straling.

VOORZORGSMAATREGELEN VOOR GEBRUIK

ONTHOUD DE VOLGENDE INSTRUCTIES:

1. Bedek of blokkeer de ventilatieopeningen niet. Wanneer u het apparaat op een schap plaatst, dient u 5 cm (2") vrije ruimte rondom het gehele apparaat te behouden.
2. Installeer het product volgens de meegeleverde gebruikershandleiding.
3. Houd het apparaat uit de buurt van hittebronnen, zoals radiatoren, verwarmingen, kachels, kaarsen en andere hittegenererende producten of open vuur. Het apparaat kan alleen worden gebruikt in een gematigd klimaat. Extreem koude of warme omgevingen dienen te worden vermeden. Bedrijfstemperatuur tussen 0 °C en 35 °C.
4. Gebruik dit apparaat niet in de buurt van krachtige magnetische velden.
5. Elektrostatische ontlading kan normaal gebruik van dit apparaat verstoren. U hoeft het apparaat in dit geval slechts te resetten en opnieuw op te starten volgens de gebruikershandleiding. Wees voorzichtig tijdens bestandsoverdracht en gebruik het product in een omgeving zonder statische interferentie.
6. Waarschuwing! Steek nooit een voorwerp via de ventilatie- of andere openingen in het product. Er is hoogspanning in het product aanwezig en als u er een object insteekt, kan dat een elektrische schok veroorzaken en/of kortsluiting in de interne onderdelen. Mors om dezelfde reden geen water of vloeistof op het product.
7. Gebruik het toestel NIET in vochtige ruimtes, zoals badkamers, stomerige keukens of in de buurt van zwembaden.
8. Het apparaat mag niet worden blootgesteld aan druppels en spetters en zorg ervoor dat er geen met vloeistof gevulde voorwerpen, zoals vazen, op of in de buurt van het apparaat worden geplaatst.
9. Gebruik dit apparaat niet wanneer condensatie kan optreden. Wanneer het apparaat in een warme en vochtige kamer wordt gebruikt, dan kunnen er waterdruppeltjes of condensatie binnenin het apparaat worden gevormd waardoor het apparaat mogelijk niet meer goed werkt; houd een apparaat 1 of 2 uur op UIT staan voordat u de voeding weer inschakelt: het apparaat dient droog te zijn voordat deze stroom ontvangt.
10. Alhoewel dit apparaat met grote zorg gefabriceerd en verschillende keren geïnspecteerd is voordat het de fabriek verlaat, is het nog steeds mogelijk dat er problemen optreden, zoals met alle elektrische apparaten. Als u rook, een overmatige hitteontwikkeling of enig ander onverwacht verschijnsel, moet u onmiddellijk de stekker van het netsnoer uit het stopcontact halen.
11. Dit apparaat moet werken op een voedingsbron, zoals aangegeven op het specificatieplaatje. Als u twijfelt over het type voeding dat gebruikt wordt in uw huis, raadpleeg dan uw dealer of plaatselijk energiebedrijf.
12. Buiten bereik van dieren houden. Sommige dieren bijten graag op voedingskabels.
13. Gebruik een zacht, droog doekje om het apparaat te reinigen. Gebruik geen oplosmiddelen of op benzine gebaseerde vloeistoffen. U kunt een vochtig doekje met verdund schoonmaakmiddel gebruiken om hardnekkige vlekken te verwijderen.
14. De leverancier is niet verantwoordelijk voor schade of verloren gegevens veroorzaakt door storing, misbruik, modificatie van het apparaat of batterijvervanging.
15. Onderbreek nooit de verbinding wanneer het apparaat formatteert of bestanden overdraagt. De gegevens kunnen anders corrupt of verloren raken.
16. Indien het apparaat een USB-afspeelfunctie heeft, moet de USB-geheugenstick rechtstreeks op het apparaat worden aangesloten. Gebruik geen USB-verlengkabel, omdat die kan leiden tot storingen met foutieve gegevens als gevolg.
17. Het nominale specificatielabel is te vinden op het paneel aan de onder- of achterkant van het apparaat.
18. Dit apparaat is niet bestemd voor gebruik door mensen (inclusief kinderen) met fysieke, zintuiglijke of geestelijke gebreken of gebrek aan kennis en ervaring, tenzij zij onder toezicht staan of instructies hebben over het juiste gebruik van het apparaat hebben gekregen van de persoon die verantwoordelijk is voor hun veiligheid.

19. Dit product is alleen voor niet-professioneel gebruik bedoeld en niet voor commercieel of industrieel gebruik.
20. Verzeker u ervan dat het apparaat in een stabiele positie staat opgesteld. Beschadigingen veroorzaakt door het gebruik van dit apparaat in een onstabiele positie, trillingen of schokken of door het niet opvolgen van andere waarschuwingen of voorzorgsmaatregelen beschreven in deze gebruikshandleiding worden niet gedekt door de garantie.
21. Verwijder nooit de behuizing van dit apparaat.
22. Plaats dit apparaat nooit op andere elektrische apparatuur.
23. Geef kinderen geen gelegenheid in aanraking met plastic zakken te komen.
24. Gebruik uitsluitend uitbreidingen/accessoires gespecificeerd door de fabrikant.
25. Laat alle reparaties over aan gekwalificeerd onderhoudspersoneel. Onderhoud is vereist als het apparaat hoe dan ook is beschadigd, zoals bijvoorbeeld het netsnoer of de stekker, wanneer er vloeistof of een voorwerp in het apparaat is terechtgekomen, wanneer het apparaat is blootgesteld aan regen of vocht, als het niet normaal werkt of is gevallen.
26. Langdurige blootstelling aan harde geluiden van persoonlijke muzikspelers kan leiden tot tijdelijk of permanent gehoorverlies.
27. Als het product wordt geleverd met voedingskabel of AC-stroomadapter:
 - Als er problemen optreden, koppel de wisselstroomvoedingskaart dan los en laat reparaties over aan bevoegd personeel.
 - Nooit op de stroomadapter stappen of deze indrukken. Wees voornamelijk voorzichtig in de buurt van de stekkers en het punt waar de kabel uit het apparaat komt. Plaats geen zware voorwerpen op de stroomadapter, om beschadiging ervan te voorkomen. Houd het gehele apparaat buiten bereik van kinderen! Wanneer kinderen met de voedingskabel spelen, kunnen zij ernstig letsel oplopen.
 - Haal de stekker uit het stopcontact tijdens onweer of wanneer u deze langere tijd niet gebruikt.
 - Het stopcontact moet in de buurt van de apparatuur zijn geïnstalleerd en eenvoudig te bereiken zijn.
 - Overbelast stopcontacten of verlengsnoeren niet. Overbelasting kan brand of een elektrische schok veroorzaken.
 - Apparaten met een Klasse 1 structuur dienen te worden aangesloten op een stopcontact met een beschermende aardverbinding.
 - Apparaten met een Klasse 2 structuur vereisen geen aardverbinding.
 - Houd altijd de stekker vast wanneer u deze uit het stopcontact trekt. Trek nooit aan de voedingskabel. Dit kan tot een kortsluiting leiden.
 - Gebruik nooit een beschadigde voedingskabel of stekker of een los stopcontact. Dit vormt namelijk een risico op brand of elektrische schokken.
28. Indien het product knoopcelbatterijen bevat of wordt geleverd met een afstandsbediening die knoopcelbatterijen bevat:

Waarschuwing:

 - "Batterij niet inslikken, chemisch brandgevaar" of gelijkwaardige werking.
 - [De afstandsbediening meegeleverd met] Dit product bevat een munt-/knoopcelbatterij. Als de batterij wordt ingeslikt, kan deze in slechts 2 uur ernstige interne brandwonden veroorzaken en tot de dood leiden.
 - Houd nieuwe en gebruikte batterijen buiten bereik van kinderen.
 - Als de batterijhouder niet goed kan worden gesloten, dient u het product niet meer te gebruiken en buiten bereik van kinderen te houden.
 - Als u denkt dat batterijen zijn ingeslikt of binnenin een willekeurig lichaamsdeel terecht zijn gekomen, dient u onmiddellijk medische hulp te zoeken.
29. Waarschuwing m.b.t. het gebruik van batterijen:
 - Als de batterij onjuist wordt geplaatst, bestaat er explosiegevaar. Vervang de batterij alleen door een zelfde of vergelijkbare soort batterij.
 - Stel de batterij niet bloot aan extreem hoge of lage temperaturen of een lage luchtdruk op grote hoogte tijdens gebruik, opslag of transport.
 - Vervanging van een batterij door een incorrect type kan leiden tot een ontploffing of de lekkage van ontvlambare vloeistoffen of gas.

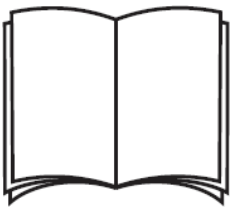
- Verwijdering van een batterij in vuur of een hete oven of het mechanisch verpletteren of snijden van een batterij kan leiden tot een ontploffing.
- Laat een batterij nooit achter in omgevingen met extreem hoge temperaturen, anders kan dit leiden tot een ontploffing of de lekkage van ontvlambare vloeistoffen of gas.
- Stel een batterij nooit bloot aan een extreem lage luchtdruk, anders kan dit leiden tot een ontploffing of de lekkage van ontvlambare vloeistoffen of gas.
- Aandacht voor het milieu is nodig bij het verwijderen van de batterijen.

INSTALLATIE

- Pak alle onderdelen uit en verwijder de beschermende materialen.
- Sluit het apparaat niet aan op het stopcontact, voordat u de netspanning hebt gecontroleerd en voordat alle andere aansluitingen zijn gemaakt.

Inbegrepen toebehoren:

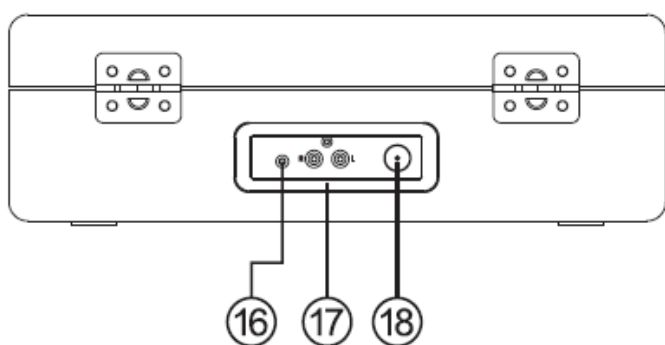
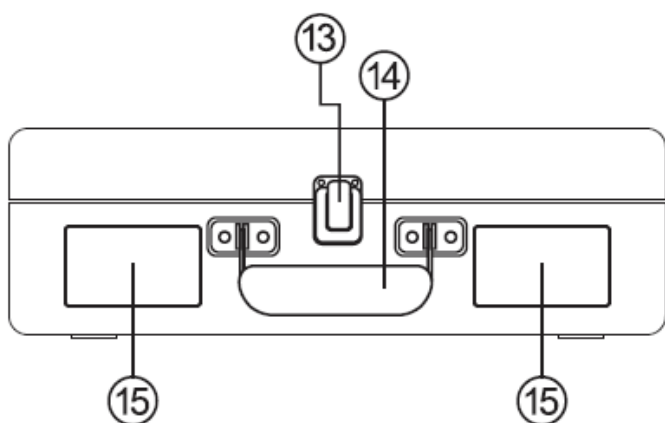
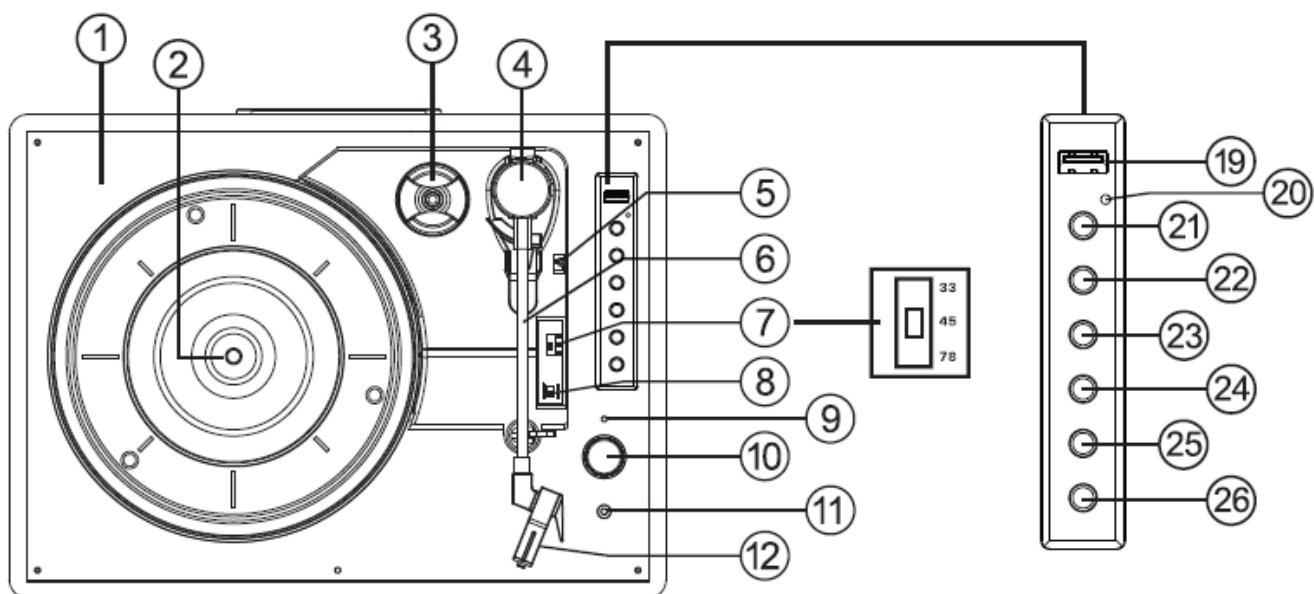
Handleiding



Voedingsadapter



Plaats van de bedieningsknoppen



- 1. Draaischijf
- 2. Draaischijfjas
- 3. Middengatadapter
- 4. Toonarm

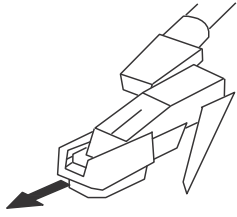
5. Cue-hendel
6. Toonarmclip
7. Snelheidskeuzeschakelaar draaischijf
8. Schakelaar voor automatisch stoppen
9. Led-statusindicator
10. Aan/uit-schakelaar/volumeknop
11. Koptelefoonaansluiting
12. Naald
13. Slot
14. Handgreep om te dragen
15. Luidspreker
16. Aux-ingang
17. Lijn uit kanaal R/L
18. DC-ingang
19. USB-poort
20. Functie-led
21. Opnemen
22. Vorige nummer
23. Volgende nummer
24. Afspelen/pauzeren
25. Modus
26. Koppelen

Modus

1. Druk kort op "Modus" om de afspeelmodus te selecteren.
2. De blauwe led knippert wanneer de bluetooth gekoppeld is.
3. De blauwe led licht op wanneer de bluetooth verbonden is.
4. De rode led licht op wanneer de platenspelermodus/Aux in-modus is ingeschakeld.
5. De groene led licht op wanneer de USB-modus is ingeschakeld.

De platenspeler gebruiken

1. Plaats de platenspeler op een vlakke, horizontale ondergrond.
2. Steek de plug van de voedingsadapter in de DC-ingang aan de achterkant van de behuizing en steek de stekker van de voedingsadapter in een stopcontact.
3. Zorg dat bij het eerste gebruik de kabelbinder van de toonarm is verwijderd.
4. Verwijder de naaldkap en bewaar deze op een veilige plaats voor toekomstig gebruik



5. Zet de snelheidskeuzeschakelaar op de snelheid (33, 45 of 78 tpm) die overeenkomt met de af te spelen plaat
6. Draai aan de volumeknop om de platenspeler in te schakelen, de modusindicator zal rood oplichten.
7. Plaats een plaat op de as van de draaischijf en ontgrendel de toonarm.
8. Gebruik de cue-hendel om de toonarm op te tillen en beweeg de arm zodanig dat de naald zich net binnen de rand van de plaat bevindt of uitgelijnd is met het begin van het af te spelen nummer.
9. Laat de arm langzaam zakken en na een korte pauze begint de plaat te spelen.
10. Stel het volume in op het gewenste niveau door aan de volumeknop te draaien.
11. De draaischijf stopt als het einde van de plaat is bereikt.
12. Gebruik opnieuw de cue-hendel om de toonarm op te tillen (de draaischijf begint opnieuw te draaien) en terug te plaatsen in de clip. De draaischijf zal stoppen.
13. Zet de toonarm vast met de clip. Plaats de naaldkap terug na gebruik en altijd voordat u de platenspeler verplaatst
14. Om de platenspeler op elk gewenst moment uit te schakelen, tilt u de toonarm van de plaat af en draait u de volumeknop helemaal linksom.

Opmerking

Sommige platen hebben een groter middengat en het kan nodig zijn de middengatadapter op de draaischijfas te plaatsen voordat u de plaat op de draaischijf plaatst. Plaats altijd eerst het naaldkap terug en zet de toonarm vast met de clip voordat u de platenspeler verplaatst.

Met een extern apparaat gebruiken

1. Op de platenspeler kan externe analoge audio-apparatuur worden aangesloten en versterkt.
2. Sluit de apparatuur aan met een 3,5 mm jack kabel (kabel niet meegeleverd) op de Aux-ingangaansluiting.
3. Druk op de afspeelknop van het externe apparaat en gebruik de bedieningen op het externe apparaat zoals u gewend bent.
4. Het volume kan worden geregeld met de volumeknop op de platenspeler of met de bedieningen op het externe apparaat.
5. Om de platenspeler op elk gewenst moment uit te schakelen, draait u de volumeknop helemaal linksom.

Een hoofdtelefoon gebruiken (niet meegeleverd)

Er is een stereo hoofdtelefoonaansluiting, zodat de platenspeler kan worden gebruikt zonder anderen te storen. Sluit de hoofdtelefoon aan op de aansluiting nabij de volumeknop, aangegeven met een hoofdtelefoon-marking, en stel het volume naar wens in. Overmatige geluidsdruk van oortelefoons en hoofdtelefoons kan gehoorverlies veroorzaken. De luidsprekers van de platenspeler werken niet wanneer er een hoofdtelefoon is aangesloten.

De platenspeler op een externe luidspreker aansluiten

Gebruik voor het aansluiten van de platenspeler op externe luidsprekers (via een geschikte versterker) een tulpkabel (niet meegeleverd) om de RCA-uitgangsaansluitingen te verbinden met de audio-ingang van de versterker. Zorg dat de rode stekkers in de rode aansluitingen worden gestoken en de witte stekkers in de witte aansluitingen.

Met een bluetooth-apparaat gebruiken

Controleer of de bluetooth-modus van uw platenspeler ingeschakeld is. Als u de bluetooth-modus nog niet ingeschakeld is, druk dan kort op de modusknop totdat de bluetooth-modus ingeschakeld is (de blauwe led licht op). De platenspeler zal beginnen te zoeken naar bluetooth-apparaten (de blauwe LED knippert tijdens het koppelen).

In de bluetooth-modus:

1. Uw apparaat zal zoeken naar bluetooth-apparaten.
2. Schakel op het apparaat (bijvoorbeeld iPhone, iPad, Android-telefoon, andere telefoon, tablet, computer) de bluetooth-verbinding in en zorg dat deze 'detecteerbaar' is.

Opmerking: Raadpleeg indien nodig de instructies van uw apparaat om bluetooth toe te voegen of in te stellen.

3. Selecteer indien nodig 'Add new device (Nieuw apparaat toevoegen)'.

Opmerking: Sommige producten zullen automatisch naar een nieuw apparaat zoeken en is daarom de optie 'Add new device (Nieuw apparaat toevoegen)' niet beschikbaar.

4. Uw apparaat wordt weergegeven als 'Lenco TT-115'. Selecteer het en begin met koppelen.
5. Wanneer het koppelen is voltooid, wordt 'Bluetooth Connected (Bluetooth verbonden)' weergegeven.
6. Nu uw apparaat met de platenspeler is gekoppeld maakt het automatisch verbinding wanneer het zich binnen het bereik bevindt, d.w.z. binnen 10 meter of minder (33 voet of minder) afstand.
7. Uw apparaat blijft gekoppeld met de platenspeler, tenzij u besluit het los te koppelen of te 'ontkoppelen'.
8. Druk kort op "Koppelen" om de verbinding te herstellen.

Bluetooth afspelen

1. Druk op "Previous" voor het vorige nummer van uw bluetooth-apparaat.
2. Druk op "Next" voor het volgende nummer van uw bluetooth-apparaat.
3. Druk op "Play/pause" voor het afspelen of pauzeren van uw bluetooth-apparaat.

"Dit product is voorzien van een bluetooth-ontvangstfunctie, u kunt er geen bluetooth-audio mee overdragen: dit betekent dat u draadloos een bluetooth-geluidssignaal kunt ontvangen van een externe bron zoals een smartphone."

Met USB-afspelen gebruiken

1. Plaats een USB-stick in de USB-poort of sluit een Mp3-speler aan.
2. Het zal automatisch spelen

Met USB-opnemen gebruiken

U kunt een plaat, via bluetooth of vanaf een extern opnemen op een USB-stick.

1. Steek een USB-stick in de USB-poort.
2. Druk op "Modus" om bluetooth, platenspeler of extern apparaat te selecteren die u op de USB-stick wilt opnemen.
3. Druk vervolgens op "Opnemen"REC", de led zal gaan knipperen. Er wordt nu opgenomen.
4. Druk nogmaals op "Opnemen" om het opnemen te stoppen.

DE NAALD VERVANGEN

Om de naald te vervangen, verwijzen wij u naar de onderstaande instructies.

Het verwijderen van de naald uit het element

1. Plaats een schroevendraaier tegen de punt van de stylus en duw naar onderen zoals weergegeven in aanwijzing "A".
2. Verwijder de stylus door de stylus naar voren te trekken en naar onderen te duwen.

De stylus installeren

1. Houd de punt van de stylus vast en steek de stylus in door te drukken zoals weergegeven in aanwijzing "B".
2. Duw de stylus naar boven zoals in aanwijzing "C" totdat de stylus in de puntstand staat.



Geleidepennen (binnen)



OPMERKINGEN

Wij adviseren u uw platen schoon te maken met een anti-statische doek om maximaal van ze te genieten. Om dezelfde reden dient uw stylus periodiek te worden vervangen (circa elke 250 afspeeluren).

TIPS VOOR EEN GOED GEBRUIK VAN UW PLATENSPELER

1. Ga voorzichtig te werk bij het openen of sluiten van de stofkap door deze in het midden of aan beide zijden tegelijk vast te pakken.
2. Raak de naaldpunt niet met uw vingers aan. Vermijd het stoten van de naald tegen de draaitafel of tegen de rand van de plaat.
3. Reinig de naald regelmatig. Gebruik daarvoor een zachte borstel en beweeg alleen van achteren naar voren.
4. Als u een reinigingsvloeistof voor de naald moet gebruiken, gebruik deze dan zeer spaarzaam.
5. Veeg de behuizing van de platenspeler voorzichtig af met een zachte doek. Gebruik slechts een klein beetje mild reinigingsmiddel om de platenspeler af te nemen.
6. Gebruik nooit agressieve chemicaliën of oplosmiddelen om onderdelen van het draaitafelsysteem te reinigen.

SPECIFICATIES

| | |
|------------------------------|---|
| Type | Snaaraandrijving |
| aandrijfmotor | Gelijkstroommotor |
| snelheid | 33 1/3 tpm, 45 tpm, 78 tpm |
| wow en flutter | <0,35% |
| Draaischijf | 200 mm |
| | |
| cartridge | |
| Type | keramische cartridge |
| Naald | 0,7 millimeter |
| Optimale naalddruk | 6 gram |
| Uitgang | 300-500 mv |
| Frequentiebereik | ,+/-20 dB |
| overspraak | 10 db |
| signaal-ruisverhouding (S/N) | 18 db |
| | |
| Algemeen | |
| Adapter | Invoer AC 100-240 V, 50/60 Hz, max. 0,3 A uitvoert DC 5 V, 1 A |
| product | DC5V;1A |
| audio-uitvoer (lijnuitgang) | 300-500 mv |
| Opgenomen vermogen | 5 W |

Voedingsadapter.

Uitvoer DC 5 V, 1 A

Invoer AC 100-240 V, 50/60 Hz, max.
0,3 A

Koppelnaam bluetooth: Lenco TT-115

Hoofdtelefoonaansluiting: 3,5 mm

g:

Bedrijfstemperatuur: 0°C-40°C

Opslagtemperatuur: -20°C-70°C

Vanwege doorlopende verbeteringen zijn de functies en het ontwerp zonder nadere aankondiging onderhevig aan wijzigingen

Voedingsadapter

Gebruik uitsluitend de voedingsadapter die in de gebruiksaanwijzing wordt vermeld

| Informatie | Waarde en precisie |
|---|---|
| Naam of handelsmerk van de fabrikant, handelsregistratie en adres | DongGuan Obelieve Electronic Co., Ltd Huazhaoxin Industrial park B-4/F, Golden phoenix industrial zone, Fenggan town, Dongguan city, Guangdong province, China |
| Modelaanduiding | OBL-0501000E / OBL-0501000B |
| Ingangsspanning | 100-240 V |
| Ingangsfrequentie wisselstroom | 50/60 Hz |
| Uitgangsspanning | 5 V |
| Uitgangsstroom | 1 A |
| Uitgang | 5 W |
| Gemiddelde actieve efficiëntie | 73,62 |
| Verbruik onbelast vermogen | ≤ 0,10 |

Garantie

Commaxx B.V. biedt service en garantie aan overeenkomstig met de Europese wetgeving. Dit houdt in dat u, in het geval van reparaties (zowel tijdens als na de garantieperiode), uw lokale handelaar moet contacteren.

Belangrijke opmerking: Het is niet mogelijk om producten die moeten worden gerepareerd rechtstreeks naar Commaxx B.V. te sturen.

Belangrijke opmerking: de garantie verloopt als een onofficieel servicecenter het apparaat op wat voor manier dan ook heeft geopend, of er toegang toe heeft gekregen.

Het apparaat is niet geschikt voor professioneel gebruik. In het geval van professioneel gebruik worden alle garantieverplichtingen van de fabrikant nietig verklaard.

Disclaimer

Er worden regelmatig updates in de firmware en/of hardwarecomponenten gemaakt. Daardoor kunnen gedeelten van de instructie, de specificaties en afbeeldingen in deze documentatie enigszins verschillen van uw eigen situatie. Alle onderwerpen die staan beschreven in deze handleiding zijn bedoeld als illustratie en zijn niet van toepassing op specifieke situaties. Aan de beschrijving in dit document kunnen geen rechten worden ontleend.

Afvoer van het oude apparaat



Dit symbool geeft aan dat het betreffende elektrische product of de accu/batterij niet mag worden verwijderd als algemeen huishoudelijk afval in Europa. Zorg voor een juiste afvalverwerking door het product en de accu/batterij in overeenstemming met alle van toepassing zijnde lokale wetten voor het verwijderen van elektrische apparatuur of accu's/batterijen te verwijderen. Als u dit doet, helpt u de natuurlijke bronnen te behouden en de standaard van milieubescherming te verbeteren bij de behandeling en verwijdering van elektrisch afval (Afgedankte Elektrische en Elektronische Apparatuur).

VERKLARING VAN CONFORMITEIT

Hierbij verklaar ik, Commaxx, dat het type radioapparatuur [Lenco TT-115] conform is met Richtlijn 2014/53/EU. De volledige tekst van de EU-conformiteitsverklaring kan worden geraadpleegd op het volgende internetadres: https://commaxx-certificates.com/doc/tt-115_doc.pdf

| Type RF | Frequentiebereik (MHz) | Vermogen (dBm) |
|-----------|------------------------|----------------|
| Bluetooth | 2402-2480 | <6 |



WAARSCHUWING: Luister nooit voor lange tijd op hoge volumenniveaus, om mogelijke gehoorbeschadiging te voorkomen.

Service

Bezoek voor meer informatie en helpdeskondersteuning support.lenco.com

Commaxx B.V. Wiebachstraat 37, 6466 NG Kerkrade, Nederland.

ACHTUNG:

Eine andere als die hier beschriebene Benutzung der Bedienelemente oder Einstellung oder Durchführung von Abläufen kann zu einer gefährlicher Strahlung ausgesetzt werden führen.

VORSICHTSMASSNAHMEN VOR DER BENUTZUNG**BEFOLGEN SIE IMMER FOLGENDE ANWEISUNGEN:**

1. Blockieren oder bedecken Sie keine Lüftungsöffnungen. Wenn Sie das Gerät auf ein Regal stellen, lassen Sie um das gesamte Gerät 5 cm (2") freien Platz.
2. Stellen Sie das Gerät entsprechend den Anweisungen der mitgelieferten Bedienungsanleitung auf.
3. Halten Sie das Gerät von Hitzequellen wie Radiatoren, Heizern, Öfen, Kerzen oder anderen hitzeerzeugenden Produkten oder offenen Flammen fern. Das Gerät darf nur bei gemäßigttem Klima verwendet werden. Sehr kalte oder heiße Umgebungen sind zu vermeiden. Die Betriebstemperatur liegt zwischen 0 °C und 35 °C.
4. Meiden Sie bei der Benutzung des Produkts die Nähe starker Magnetfelder.
5. Elektrostatische Entladungen können die normale Benutzung dieses Geräts stören. Sollte dies geschehen, führen Sie einfach einen Reset aus und starten Sie dann das Gerät entsprechend den Anweisungen dieser Bedienungsanleitung neu. Gehen Sie besonders bei Datenübertragungen mit dem Gerät vorsichtig um und führen Sie diese nur in einer antielektrostatischen Umgebung aus.
6. Warnung! Niemals Gegenstände durch die Lüftungsschlitze oder Öffnungen in das Gerät stecken. In diesem Gerät fließt Hochspannung und das Hineinstecken von Gegenständen kann zu elektrischem Schock und/oder Kurzschluss interner elektrischer Bauteile führen. Spritzen/Gießen Sie aus dem gleichen Grund kein Wasser oder Flüssigkeiten auf das Gerät.
7. Benutzen Sie das Gerät nicht in nasser oder feuchter Umgebung wie Bad, Dampfküche oder in der Nähe von Schwimmbecken.
8. Das Gerät darf weder Tropf- noch Spritzwasser ausgesetzt werden und es dürfen keine mit Flüssigkeit gefüllten Behälter wie z. B. Vasen auf das Gerät oder in der Nähe des Gerätes gestellt werden.
9. Benutzen Sie das Gerät nicht, wenn Kondensation entstehen kann. Wenn Sie das Gerät in einem warmen feuchten Raum mit Dampf benutzen, dann können Wassertropfen oder Kondensation in das Gerät eindringen und u. U. zu Fehlfunktionen des Geräts führen. Schalten Sie in diesem Fall das Gerät für 1 – 2 Stunden aus, bevor Sie es erneut einschalten, wobei Sie darauf achten sollten, dass das Gerät vollständig getrocknet ist, bevor Sie es wieder einschalten.
10. Obwohl dieses Gerät unter größter Sorgfalt hergestellt und vor Auslieferung mehrmals überprüft wurde, können trotzdem wie bei jedem anderen elektrischen Gerät auch Probleme auftauchen. Trennen Sie das Gerät bei Rauchentwicklung, starker Hitzeentwicklung oder jeder anderen unnatürlichen Erscheinung sofort vom Stromnetz.
11. Dieses Gerät ist durch eine Stromquelle wie auf dem Typenschild angegeben zu betreiben. Halten Sie bei Unsicherheiten über die Art Ihrer Stromversorgung in Ihrer Wohnung Rücksprache mit Ihrem Händler oder Ihrer Stromzuliefererfirma.
12. Halten Sie das Gerät von Haustieren fern. Einige Nagetiere lieben es, an Netzkabeln zu nagen.
13. Benutzen Sie für die Reinigung ein weiches und trockenes Tuch. Benutzen Sie niemals Lösungsmittel oder Flüssigkeiten auf Ölbasis. Benutzen Sie zum Entfernen hartnäckiger Flecken ein feuchtes Tuch mit mildem Reinigungsmittel.
14. Der Hersteller haftet nicht für Beschädigungen oder Datenverluste durch Fehlfunktion, Zweckentfremdung oder Modifikation des Geräts oder durch das Wechseln der Batterie.
15. Unterbrechen Sie die Verbindung nicht während einer Formatierung oder einer Datenübertragung. Bei Unterbrechung drohen Datenverlust und Datenbeschädigung.
16. Wenn das Gerät eine USB-Wiedergabefunktion besitzt, dann stecken Sie den USB-Stick direkt in das Gerät. Verwenden Sie kein USB-Verlängerungskabel, weil die erhöhte Störungsanfälligkeit zu Datenverlust führen kann.
17. Das Typenschild befindet sich an der Unter- oder Rückseite des Gerätes.
18. Dieses Gerät ist nicht zur Benutzung durch Personen (einschließlich Kinder) mit physischen, sensorischen oder mentalen Beeinträchtigungen oder ohne ausreichender Erfahrung vorgesehen, es sei denn, sie werden durch eine verantwortliche Person beaufsichtigt oder wurden in die ordnungsgemäße Bedienung des Gerätes durch eine für ihre Sicherheit verantwortlichen Person eingewiesen.

19. Dieses Produkt ist nur für den nicht-professionellen Gebrauch und nicht für gewerbliche oder industrielle Zwecke bestimmt.
20. Stellen Sie sicher, dass das Gerät in einer stabilen Position aufgestellt ist. Schäden, die durch Verwendung dieses Produkts in einer instabilen Position, durch Vibrationen, Stöße oder Nichtbeachtung der anderen in diesem Handbuch enthaltenen Warnungen und Sicherheitsmaßnahmen entstehen, werden nicht durch die Garantie abgedeckt.
21. Entfernen Sie niemals das Gehäuse dieses Geräts.
22. Stellen Sie dieses Gerät niemals auf andere elektrische Geräte.
23. Halten Sie Kinder von den Plastiktüten fern.
24. Benutzen Sie nur vom Hersteller spezifizierte Erweiterungen/Zubehörteile.
25. Lassen Sie alle Wartungs-/Reparaturarbeiten von qualifiziertem Servicepersonal ausführen. Reparatur/Wartung wird notwendig, wenn das Gerät in irgendeiner Weise wie beispielsweise am Netzkabel oder am Netzstecker beschädigt wurde oder wenn Flüssigkeit in das Gerät gelangt ist bzw. Gegenstände in das Gerät gefallen sind, das Gerät Regen oder Feuchtigkeit ausgesetzt war, es heruntergefallen ist oder nicht ordnungsgemäß funktioniert.
26. Langes Hören lauter Töne aus einem Musikgerät kann zum zeitweiligen oder permanenten Hörverlust führen.
27. Wenn zum Lieferumfang des Produkts ein Netzkabel oder ein Netzadapter gehört:
 - Wenn irgendwelche Probleme auftreten, dann trennen Sie das Gerät vom Stromnetz und setzen Sie sich anschließend mit einer qualifizierten Fachkraft in Verbindung.
 - Treten Sie nicht auf den Netzadapter und klemmen Sie ihn auch nicht ein. Seien Sie besonders im näheren Bereich des Netzsteckers und an der Stelle vorsichtig, an der das Netzkabel aus dem Gerät herausgeführt wird. Stellen Sie keine schweren Gegenstände auf den Netzadapter, weil er dadurch beschädigt werden kann. Halten Sie das gesamte Gerät außerhalb der Reichweite von Kindern! Durch Spielen mit dem Netzkabel können sie sich ernsthafte Verletzungen zuziehen.
 - Trennen Sie das Gerät während eines Gewitters oder bei längerer Nichtbenutzung vom Stromnetz.
 - Die Netzsteckdose muss sich in der Nähe des Geräts befinden und einfach zu erreichen sein.
 - Überlasten Sie Steckdosen und Verlängerungsleitungen nicht. Eine Überlastung kann zu Brandgefahr bzw. Stromschlag führen.
 - Geräte der Schutzklasse 1 müssen Sie an eine Netzsteckdose mit Schutzleiter anschließen.
 - Geräte der Schutzklasse 2 benötigen keinen Schutzleiteranschluss.
 - Halten Sie den Netzstecker in der Hand, wenn Sie ihn aus der Netzsteckdose ziehen. Ziehen Sie ihn nicht durch Zerren am Kabel heraus. Das kann zu einem Kurzschluss führen.
 - Verwenden Sie weder ein beschädigtes Netzkabel noch einen beschädigten Netzstecker oder eine lockere Steckdose. Missachtung kann zu Brand oder Stromschlag führen.
28. Wenn das Produkt mit einer Fernbedienung mit Batterien/Knopfzellen geliefert wird oder das Produkt eine derartige Fernbedienung umfasst:

Warnung:

 - Die Batterie nicht einnehmen – Verätzungsgefahr!
 - Die mit diesem Produkt mitgelieferte Fernbedienung enthält eine Knopfzelle. Das Verschlucken der Batterie kann innerhalb von nur 2 Stunden zu schwersten inneren Verbrennungen mit Todesfolge führen.
 - Halten Sie neue und gebrauchte Batterien von Kindern fern.
 - Falls sich das Batteriefach nicht richtig schließen lässt, dann benutzen Sie das Gerät nicht mehr und halten Sie es von Kindern fern.
 - Wenn Sie vermuten, dass Batterien verschluckt oder in eine Körperöffnung eingeführt worden sind, dann suchen Sie umgehend eine/-n Ärztin/Arzt auf.
29. Warnhinweise bzgl. der Verwendung von Batterien:
 - Es besteht Explosionsgefahr, wenn die Batterien nicht ordnungsgemäß ersetzt werden. Tauschen Sie die Batterie nur gegen eine Batterie des gleichen Typs aus.
 - Die Batterie darf während der Benutzung, Aufbewahrung oder des Transports weder sehr hohen oder sehr niedrigen Temperaturen noch niedrigem Luftdruck in großen Höhenlagen ausgesetzt werden.
 - Die Ersetzung der Batterie mit einem falschen Batterietyp kann zum Explodieren der Batterie oder zum Entweichen von entflammbarem Gas oder Auslaufen von entflammbarer Flüssigkeit aus der Batterie führen.

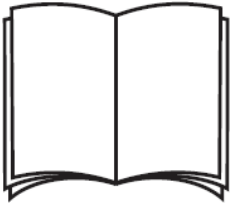
- Die Entsorgung der Batterie in Feuer oder einem heißen Ofen oder das mechanische Zerkleinern oder Zerteilen der Batterie kann zu Explosionen führen.
- Das Verbleiben der Batterie in einer Umgebung mit sehr hohen Temperaturen kann zum Explodieren der Batterie oder zum Entweichen von entflammbarem Gas oder Auslaufen von entflammbarer Flüssigkeit aus der Batterie führen.
- Eine einem sehr niedrigen Luftdruck ausgesetzte Batterie kann explodieren oder es kann aus einer einem sehr niedrigen Luftdruck ausgesetzten Batterie entflammbares Gas entweichen oder entflammbare Flüssigkeit auslaufen.
- Legen Sie besonderes Augenmerk auf den ökologischen Aspekt der Batterieentsorgung.

AUFSTELLEN

- Packen Sie alle Teile aus und entfernen Sie danach die Schutzmaterialien.
- Schließen Sie das Gerät nicht eher an das Stromnetz an, bevor Sie die Netzspannung überprüft haben und alle anderen notwendigen Verbindungen hergestellt sind.

Im Lieferumfang enthaltene Zubehörteile:

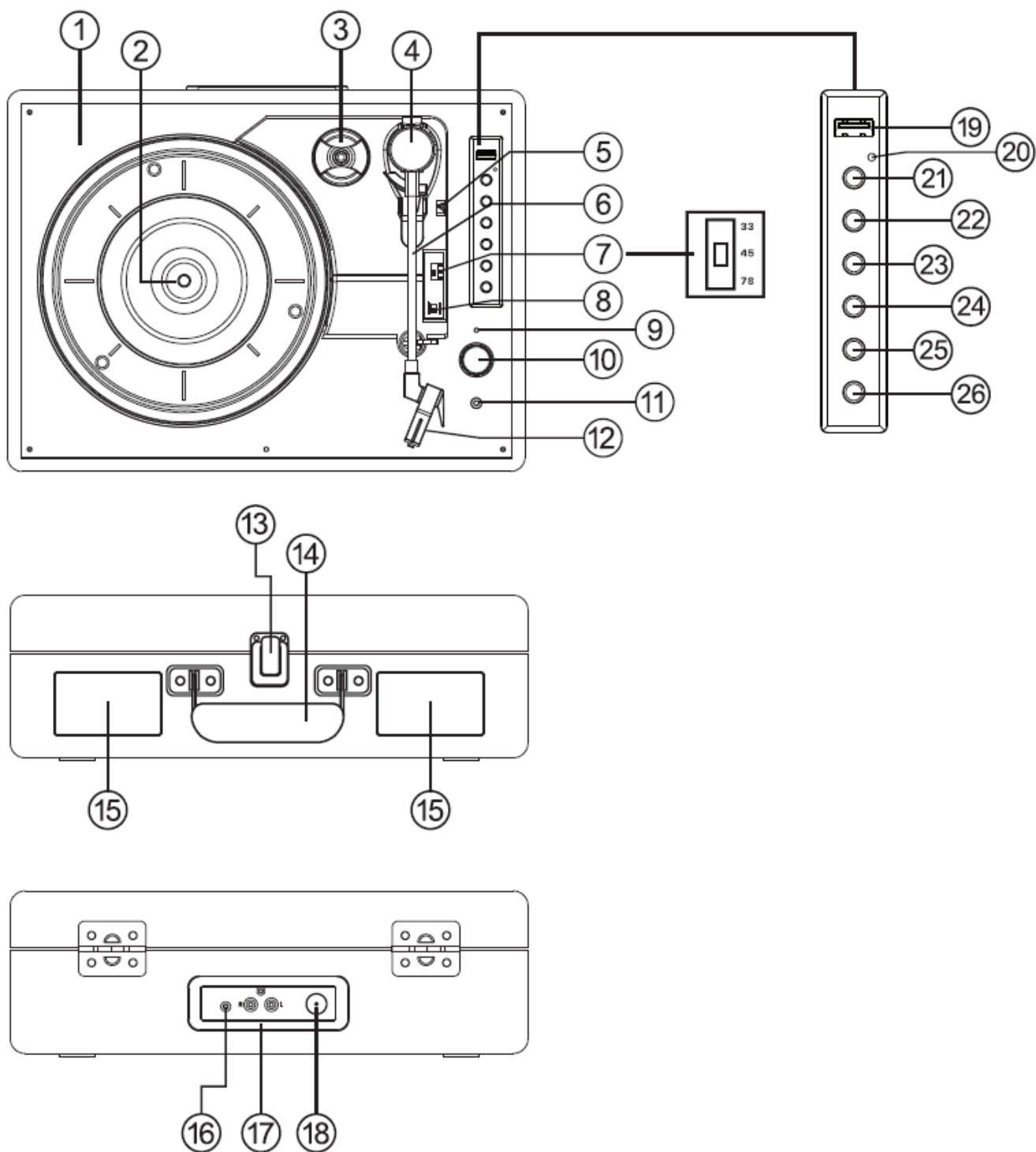
Bedienungsanleitung



Netzadapter



Bedienelemente und Komponenten



- 27. Plattenteller
- 28. Plattenspiellerschaft
- 29. Mittellochadapter
- 30. Tonarm
- 31. Cueing-Hebel

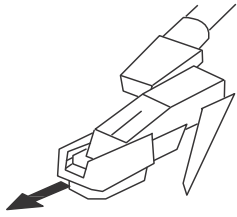
32. Tonarmclip
33. Wahlschalter für die Plattenspielergeschwindigkeit
34. Auto-Stopp-Kontrollschalter
35. LED-Statusanzeige
36. Netzschalter/Lautstärkereglern
37. Kopfhöreranschluss
38. Tonnadel
39. Arretierlasche
40. Tragegriff
41. Lautsprecher
42. Aux-in-Buchse
43. Line-Out-Kanal R/L
44. DC-Eingangsbuchse
45. USB-Anschluss
46. Funktions-LED
47. Aufnahme
48. Vorheriger Titel
49. Nächster Titel
50. Wiedergabe/Pause
51. Modus
52. Koppeln

Modus

6. Drücken Sie kurz „Mode“ („Modus“), um den Wiedergabemodus zu wählen.
7. Die blaue LED blinkt, wenn Bluetooth gekoppelt wird.
8. Die blaue LED leuchtet, wenn eine Bluetooth-Verbindung besteht.
9. Die rote LED leuchtet, wenn der Plattenspieler-Modus/Aux-in-Modus aktiviert ist.
10. Die grüne LED leuchtet, wenn der USB-Modus aktiviert ist.

Den Plattenspieler verwenden

15. Stellen Sie den Plattenspielerkoffer auf eine flache, ebene Oberfläche.
16. Stecken Sie das Adapterkabel in die Gleichstrombuchse an der Rückseite des Gehäuses und stecken Sie den Adapter in die Netzsteckdose.
17. Achten Sie bei der ersten Inbetriebnahme darauf, dass der Kabelbinder vom Plattenspielerarm entfernt wird.
18. Entfernen Sie den Schutz der Tonnadel und bewahren Sie ihn für die spätere Verwendung an einem sicheren Ort auf.



19. Stellen Sie den Geschwindigkeitsregler auf die Geschwindigkeit (33, 45 oder 78 rpm), die der abzuspielenden Schallplatte entspricht.
20. Drehen Sie den Lautstärkereglern, um den Plattenspieler einzuschalten; die Betriebsanzeige leuchtet rot.
21. Legen Sie eine Schallplatte auf den Stift des Plattenspielers und lösen Sie den Tonarm.
22. Heben Sie den Tonarm mit dem Cueing-Hebel an und bewegen Sie den Arm so, dass die Tonnadel genau am Rand der Schallplatte oder am Anfang des abzuspielenden Titels steht.
23. Senken Sie den Arm langsam ab und nach einem kurzen Moment beginnt die Schallplatte zu spielen.
24. Stellen Sie die Lautstärke durch Drehen des Lautstärkereglers auf den gewünschten Wert ein.
25. Wenn das Ende der Schallplatte erreicht ist, hält der Plattenspieler an.
26. Betätigen Sie den Hebel erneut, um den Tonarm anzuheben (der Drehteller beginnt sich wieder zu drehen), bewegen Sie ihn zurück zum Clip und senken Sie ihn in die Halterung. Der Drehteller hält an.
27. Sichern Sie den Tonarm mit dem Clip und bringen Sie den Schutz der Tonnadel nach Gebrauch und immer vor dem Bewegen des Plattenspielers wieder an.
28. Um den Plattenspieler jederzeit auszuschalten, heben Sie den Tonarm auf der Platte an und drehen Sie den Lautstärkereglern ganz nach links.

Hinweis

Einige Schallplatten haben ein größeres Mittelloch und es kann notwendig sein, den Mittellochadapter auf den Plattentellerschaft zu setzen, bevor Sie die Schallplatte auf den Plattenteller legen. Bringen Sie den Schutz der Tonnadel immer wieder an und sichern Sie den Plattenspielerarm mit dem Clip, bevor Sie den Plattenspieler bewegen.

Betrieb mit Zusatzgerät

6. Über den Plattenspieler können analoge Audiogeräte angeschlossen und verstärkt werden.
7. Schließen Sie das Zusatzgerät mit einem 3,5-mm-Klinkenkabel (Kabel nicht im Lieferumfang enthalten) an die Aux-in-Buchse an.
8. Drücken Sie die Wiedergabetaste am Zusatzgerät und bedienen Sie die Titelsteuerung wie gewohnt am Zusatzgerät.
9. Die Lautstärke kann mit dem Lautstärkereglern am Plattenspieler oder den Reglern am angeschlossenen Zusatzgerät eingestellt werden.
10. Zum Ausschalten des Geräts können Sie den Lautstärkereglern jederzeit ganz nach links drehen.

Verwendung von Kopfhörern (nicht im Lieferumfang enthalten)

Damit Sie den Plattenspieler nutzen können, ohne andere zu stören, ist ein Stereo-Kopfhöreranschluss vorhanden. Stecken Sie den Kopfhörer an der mit Headphone (Kopfhörer) gekennzeichneten Stelle in der Nähe des Lautstärkereglers ein und stellen Sie die gewünschte Lautstärke ein. Übermäßiger Schalldruck von Ohr- und Kopfhörern kann zu Hörschäden führen. Die Lautsprecher des Plattenspielers arbeiten nicht, wenn ein Kopfhörer angeschlossen ist.

Anschließen des Plattenspielers an einen externen Lautsprecher

Verwenden Sie beim Anschließen des Plattenspielers an externe Lautsprecher (über einen geeigneten Verstärker) ein Doppel-Phono- auf Doppel-Phono-Kabel (nicht im Lieferumfang enthalten), um die Cinch-Ausgangsbuchsen mit dem Audioeingang des Verstärkers zu verbinden. Stellen Sie sicher, dass die roten Stecker in die roten Buchsen und die weißen in die weißen Buchsen gesteckt werden.

Verwendung mit einem Bluetooth-Gerät

Überprüfen Sie, ob sich Ihr Plattenspieler im Bluetooth-Modus befindet. Falls Sie sich noch nicht im Bluetooth-Modus befinden, drücken Sie kurz die Mode-Taste, bis Sie sich im Bluetooth-Modus befinden (blaue LED leuchtet). Der Plattenspieler beginnt, nach Bluetooth-Geräten zu suchen (blaue LED blinkt während des Koppelns).

Im Bluetooth-Modus:

9. Ihr Gerät sucht nach Bluetooth.
10. Schalten Sie auf dem Gerät (z. B. iPhone/iPad/Android/anderes Telefon/Tablet/Computer) die Bluetooth-Verbindung ein und stellen Sie sicher, dass es „erkennbar“ ist.

Hinweis: Lesen Sie gegebenenfalls in der Anleitung Ihres Geräts nach, um Bluetooth hinzuzufügen oder einzurichten.

11. Wählen Sie gegebenenfalls „Neues Gerät hinzufügen“.

Hinweis: Einige Produkte suchen automatisch nach einem neuen Gerät, sodass die Option „Neues Gerät hinzufügen“ nicht verfügbar ist.

12. Wenn Ihr Gerät gefunden wurde, wird es als „Lenco TT-115“ angezeigt. Wählen Sie es aus und beginnen Sie mit dem Koppeln.
13. Wenn das Koppeln abgeschlossen ist, wird „Bluetooth Connected“ („Bluetooth verbunden“) angezeigt.
14. Nachdem Sie Ihr Gerät mit dem Plattenspieler gekoppelt haben, verbindet es sich mit ihm, wenn es sich in Sichtweite befindet (ca. 10 Meter oder weniger).
15. Ihr Gerät bleibt mit dem Plattenspieler gekoppelt, bis Sie sich entscheiden, die Verbindung zu trennen oder das „Koppeln aufzuheben“.
16. Sie können kurz auf „Koppeln“ drücken, um die Verbindung wiederherzustellen.

Wiedergabe von Bluetooth

4. Drücken Sie „Previous“ („Vorheriger“) für den vorherigen Titel Ihres Bluetooth-Geräts.
5. Drücken Sie „Next“ („Nächster“) für den nächsten Titel Ihres Bluetooth-Geräts.
6. Drücken Sie „Play/Pause“ („Wiedergabe/Pause“) für Wiedergabe oder Pause Ihres Bluetooth-Geräts.

„Dieses Produkt hat eine Bluetooth-**Empfangsfunktion, aber Sie können damit keinen Bluetooth-Ton senden**: Das bedeutet, dass Sie drahtlos ein Bluetooth-Tonsignal von einer externen Quelle wie einem Smartphone empfangen können.“

Verwendung mit USB-Wiedergabe

3. Schließen Sie einen USB-Stick oder MP3-Player an den USB-Anschluss an.
4. Er wird automatisch abgespielt.

Verwendung mit USB-Codierung

Sie können eine Schallplatte, Bluetooth und Aux-in-MP3 auf einen USB-Stick aufnehmen.

5. Schließen Sie den USB-Stick an den USB-Anschluss an.
6. Drücken Sie „Mode“ („Modus“), um Bluetooth, Plattenspieler oder Aux zu wählen, die auf den USB-Stick aufgenommen werden sollen.
7. Drücken Sie „REC“ („Aufnahme“), die LED blinkt. Die Aufnahme läuft.
8. Um die Aufnahme zu stoppen, drücken Sie erneut „REC“ („Aufnahme“).

ERSETZEN DER TONNADEL

Folgen Sie für das Ersetzen der Tonnadel der nachfolgenden Anleitung.

Entfernen der Tonnadel aus dem Tonkopf

3. Setzen Sie einen Schraubendreher an der Spitze der Tonnadel an. Drücken Sie dann wie in der Abbildung gezeigt nach unten in Richtung „A“.
4. Nehmen Sie danach die Tonnadel ab, indem Sie sie nach vorn ziehen und dabei nach unten drücken.

Einsetzen der Tonnadel

3. Halten Sie die Tonnadel an der Spitze fest und setzen Sie sie dann ein, indem Sie sie wie abgebildet in Richtung „B“ drücken.
4. Drücken Sie nun die Tonnadel solange nach oben in Richtung „C“, bis sie in der für sie vorgesehenen Position einrastet.



Führungsstifte (innen)

HINWEISE

Wir empfehlen Ihnen, Ihre Schallplatten mit einem antistatischen Tuch zu reinigen, um ein maximales Musikerlebnis von den Schallplatten zu erhalten.

Wir möchten Sie aus selben Grund darauf hinweisen, Ihre Tonnadel regelmäßig (ungefähr alle 250 Wiedergabestunden) zu wechseln.

TIPPS FÜR BESSERE PLATTERSPIELERLEISTUNG

7. Seien Sie behutsam, wenn Sie die Staubschutzabdeckung des Plattenspielers öffnen oder schließen. Fassen Sie sie entweder in der Mitte oder an jeder Seite an.
8. Berühren Sie nicht die Tonnadelspitze mit den Fingern. Vermeiden Sie weiterhin das Aufsetzen der Tonnadel auf dem Plattenteller oder dem Schallplattenrand.
9. Reinigen Sie regelmäßig die Tonnadelspitze mit einem weichen Pinsel, den Sie dabei nur von hinten nach vorn bewegen.
10. Wenn es nötig ist, eine Tonnadelreinigungslösung zu verwenden, dann verwenden Sie diese sehr sparsam.
11. Wischen Sie das Gehäuse des Plattenspielers behutsam mit einem weichen Lappen ab. Verwenden Sie für die Reinigung des Plattenspielers nur eine minimale Menge eines milden Reinigungsmittels.
12. Verwenden Sie auf keinen Fall für irgendeines der Plattenspieler Teile scharfe Chemikalien oder Lösungsmittel.

TECHNISCHE DATEN

| | |
|----------------------|-------------------------------|
| Typ | Riemenantrieb |
| Antriebsmotor | Gleichstrommotor |
| Geschwindigkeit | 33⅓ U/min, 45 U/min, 78 U/min |
| Gleichlaufschwankung | <0,35 % |
| Plattenteller | 200 mm |
| | |
| Tonabnehmer | |
| Typ | Keramiktonabnehmer |
| Tonnadel | 0,7 mil |

| | |
|--|--------|
| Ausgangsleistung | 5 W |
| Durchschnittliche Effizienz bei Normallast | 73,62 |
| Leistungsaufnahme bei Nulllast | < 0,10 |

Garantie

Commaxx B.V. bietet Leistungen und Garantien im Einklang mit Europäischem Recht. Setzen Sie sich deshalb im Falle von Reparaturen (sowohl während als auch nach Ablauf der Garantiezeit) mit Ihrem Fachhändler in Verbindung.

Wichtiger Hinweis: Es ist nicht möglich, Produkte für Reparaturen direkt an Commaxx B.V. zu schicken.

Wichtiger Hinweis: Wenn dieses Gerät für welchen Grund auch immer durch ein nicht offizielles Servicezentrum geöffnet wurde oder durch dieses Servicezentrum darauf zugegriffen wurde, erlischt die Garantie.

Dieses Gerät ist nicht für professionelle Zwecke geeignet. Falls das Gerät für professionelle Zwecke eingesetzt wird, erlöschen alle Garantieverpflichtungen seitens des Herstellers.

Haftungsausschluss

Aktualisierungen der Firmware und/oder Hardware-Komponenten werden regelmäßig durchgeführt. Aus diesem Grund können einige der Anleitungen, Spezifikationen und Abbildungen in dieser Dokumentation zu dem Ihnen vorliegenden Gerät leicht abweichen. Alle in diesem Handbuch beschriebenen Elemente dienen nur zur Illustration und treffen auf Ihre individuelle Situation möglicherweise nicht zu. Aus der in diesem Handbuch getätigten Beschreibung können keine Rechtsansprüche oder Leistungsanforderungen geltend gemacht werden.

Entsorgung des Altgeräts



Dieses Symbol zeigt an, dass das entsprechende Produkt oder dessen Akku/Batterie in Europa nicht mit dem normalen Hausmüll entsorgt werden darf. Um die ordnungsgemäße Abfallbehandlung des Produkts und dessen Akku/Batterie zu gewährleisten, müssen diese im Einklang mit allen anwendbaren örtlichen Vorschriften zur Entsorgung von Elektrogeräten und Akkus/Batterien entsorgt werden. Dabei helfen Sie, natürliche Ressourcen zu schonen und Umweltschutzstandards zur Verwertung und Entsorgung von Altgeräten aufrecht zu halten (Richtlinie über Entsorgung Elektrischer und Elektronischer Altgeräte).

ÜBEREINSTIMMUNGSERKLÄRUNG

Hiermit erklärt Commaxx, dass der Funkanlagentyp [Lenco TT-115] der Richtlinie 2014/53/EU entspricht. Der vollständige Text der EU-Konformitätserklärung ist unter der folgenden Internetadresse verfügbar:

https://commaxx-certificates.com/doc/tt-115_doc.pdf

| Typ HF | Frequenzbereich (MHz) | Sendeleistung (dBm) |
|-----------|-----------------------|---------------------|
| Bluetooth | 2402-2480 | <6 |



WARNUNG: Hören Sie nicht für längere Zeit mit einem hohen Lautstärkepegel, um dauerhaften Hörschäden vorzubeugen.

Service

Besuchen Sie bitte für weitere Informationen und unseren Kundendienst unsere Homepage unter

support.lenco.com

Commaxx B.V. Wiebachstraat 37, 6466 NG Kerkrade, The Netherlands.

ATTENTION :

L'utilisation de commandes ou de réglages ou l'exécution de procédures autres que ceux spécifiés dans ce manuel peut entraîner une exposition à des rayonnements dangereux.

PRÉCAUTIONS AVANT UTILISATION

GARDEZ CES INSTRUCTIONS À L'ESPRIT :

1. Ne couvrez pas et n'obtenez pas les ouvertures de ventilation. Lorsque vous placez l'appareil sur une étagère, laissez 5 cm (2") d'espace libre tout autour de l'appareil.
2. Réalisez l'installation conformément au mode d'emploi fourni.
3. Gardez l'appareil à l'écart des sources de chaleur telles que radiateurs, appareils de chauffage, fours, bougies et autres produits générant de la chaleur ou une flamme nue. L'appareil ne peut être utilisé que dans des climats modérés. Les environnements extrêmement froids ou chauds doivent être évités. Température de fonctionnement entre 0 et 35 °C.
4. Évitez d'utiliser l'appareil à proximité de champs magnétiques puissants.
5. Des décharges électrostatiques peuvent perturber le fonctionnement normal de cet appareil. Dans ce cas, il suffit de réinitialiser et de redémarrer l'appareil en suivant le mode d'emploi. Pendant le transfert de fichiers, manipulez l'appareil avec précaution et faites-le fonctionner dans un environnement privé d'électricité statique.
6. Avertissement ! N'introduisez jamais d'objets dans l'appareil par les ouvertures et les fentes de ventilation. Étant donné que des tensions élevées sont présentes à l'intérieur du produit, l'insertion d'objets peut entraîner une électrocution ou court-circuiter les composants internes. Pour les mêmes raisons, ne versez pas de l'eau ou un liquide sur le produit.
7. Ne l'utilisez pas dans des endroits humides tels qu'une salle de bain, une cuisine pleine de vapeur ou à proximité d'une piscine.
8. L'appareil ne doit pas être exposé à des écoulements ou des éclaboussures et aucun objet contenant un liquide, tel qu'un vase, ne doit être posé sur ou près de l'appareil.
9. N'utilisez pas cet appareil lorsque de la condensation est possible. Lorsque vous utilisez l'appareil dans une pièce chaude et humide, des gouttelettes d'eau ou de la condensation peuvent se former à l'intérieur de l'appareil. Dans ce cas, l'appareil peut ne pas fonctionner correctement. Pour éviter tout risque, laissez l'appareil hors tension pendant 1 ou 2 heures avant de le mettre en marche : l'appareil doit être totalement sec avant de le mettre en marche.
10. Bien que ce dispositif soit fabriqué avec le plus grand soin et contrôlé à plusieurs reprises avant de quitter l'usine, il est toujours possible que des problèmes se produisent, comme avec tous les appareils électriques. Si l'appareil émet de la fumée ou en cas d'accumulation excessive de la chaleur ou d'un phénomène inattendu, débranchez immédiatement la fiche d'alimentation du secteur.
11. Cet appareil doit fonctionner avec la source d'alimentation indiquée sur la plaque signalétique. Si vous n'êtes pas sûr du type d'alimentation utilisé chez vous, contactez votre revendeur ou le fournisseur local d'électricité.
12. Tenez l'appareil à l'abri des animaux. Certains animaux adorent mordre les cordons d'alimentation.
13. Pour nettoyer l'appareil, servez-vous d'un chiffon doux et sec. N'utilisez pas de solvant ni d'autre liquide à base de pétrole. Pour enlever les taches importantes, vous pouvez vous servir d'un chiffon humide imbibé d'une solution de détergent diluée.
14. Le fournisseur n'est pas responsable des dommages ou pertes de données causés par un dysfonctionnement, une utilisation abusive, une modification de l'appareil ou un remplacement de la batterie.
15. N'interrompez pas la connexion lorsque l'appareil formate ou transfère des fichiers. Dans le cas contraire, les données pourraient être endommagées ou perdues.
16. Si l'appareil dispose d'une fonction de lecture USB, il faut brancher la clé USB directement sur l'appareil. N'utilisez pas un câble d'extension USB, car cela peut causer des interférences entraînant des pertes de données.
17. La plaque signalétique se situe en dessous ou à l'arrière de l'appareil.
18. Cet appareil ne doit pas être utilisé par des personnes (enfants compris) souffrant de handicaps physiques, sensoriels ou mentaux, ou manquant d'expérience et de connaissances, sauf si elles sont sous surveillance ou ont reçu des instructions sur l'utilisation correcte de l'appareil par la personne qui est responsable de leur sécurité.

19. Ce produit est conçu pour un usage non professionnel, et non commercial ou industriel.
20. Vérifiez que l'appareil est en position stable. La garantie ne couvre pas les dégâts occasionnés par l'utilisation de cet appareil en position instable, par les vibrations, les chocs ou par la non-observation de tout autre avertissement ou précaution contenus dans ce mode d'emploi.
21. N'ouvrez jamais cet appareil.
22. Ne placez jamais cet appareil sur un autre appareil électrique.
23. Ne laissez pas les sacs en plastique à la portée des enfants.
24. Utilisez uniquement les accessoires recommandés par le fabricant.
25. Confiez l'entretien et les réparations à un personnel qualifié. Une réparation est nécessaire lorsque l'appareil a été endommagé de quelque façon que ce soit, par exemple lorsque le cordon d'alimentation ou la prise sont endommagés, lorsqu'un liquide a été renversé ou des objets ont été introduits dans l'appareil, lorsque l'appareil a été exposé à la pluie ou à l'humidité, lorsqu'il ne fonctionne pas correctement ou lorsque l'appareil est tombé.
26. Une exposition prolongée à la musique avec un volume élevé peut entraîner une perte auditive temporaire ou permanente.
27. Si l'appareil est livré avec un câble d'alimentation ou un adaptateur secteur :
 - En cas de problème, débranchez le cordon d'alimentation secteur et confiez l'entretien à du personnel qualifié.
 - Ne marchez pas sur l'adaptateur secteur ni le coincez. Faites très attention, en particulier près des fiches et du point de sortie du câble. Ne placez pas d'objets lourds sur l'adaptateur secteur, car vous risquez de l'endommager. Gardez l'appareil hors de portée des enfants ! Ils pourraient se blesser gravement s'ils jouent avec le câble d'alimentation.
 - Débranchez cet appareil pendant les orages ou lorsqu'il n'est pas utilisé pendant une longue durée.
 - La prise secteur doit être installée près de l'appareil et doit être facilement accessible.
 - Ne surchargez pas les prises de courant ni les rallonges. Une surcharge peut entraîner un incendie ou une électrocution.
 - Les appareils de classe 1 doivent être branchés à une prise de courant disposant d'une connexion protectrice à la terre.
 - Les appareils de classe 2 ne nécessitent pas de connexion à la terre.
 - Tirez toujours sur la fiche pour débrancher le cordon de la prise secteur. Ne tirez pas sur le cordon d'alimentation. Cela pourrait provoquer un court-circuit.
 - N'utilisez pas un cordon ou une fiche d'alimentation endommagés ni une prise desserrée. Vous courez un risque d'incendie ou de décharge électrique.
28. Si le produit contient ou est livré avec une télécommande contenant des piles boutons :

Avertissement :

 - « N'ingérez pas la pile, car vous risquez une brûlure chimique » ou une formule équivalente.
 - [La télécommande fournie avec] Ce produit contient une pile bouton. Si la pile est avalée, elle peut causer de graves brûlures internes en seulement 2 heures et peut entraîner la mort.
 - Tenez les piles neuves et usagées hors de portée des enfants.
 - Si le compartiment à piles ne se ferme pas correctement, cessez d'utiliser l'appareil et tenez-le hors de portée des enfants.
 - Si vous pensez que les piles ont été avalées ou placées à l'intérieur d'une partie du corps, consultez un médecin immédiatement.
29. Mise en garde relative à l'utilisation des piles :
 - Risque d'explosion si la pile est mal remplacée. Remplacez les piles par des piles d'un type identique ou équivalent.
 - Pendant l'utilisation, le stockage ou le transport, la pile ne doit pas être soumise à des températures extrêmement élevées ou basses, à une faible pression d'air à haute altitude.
 - Le remplacement d'une pile par une autre de type incorrect peut entraîner une explosion ou une fuite de liquide ou de gaz inflammable.
 - L'introduction d'une pile dans le feu ou dans un four chaud, l'écrasement ou le découpage mécanique peut entraîner une explosion.
 - L'exposition d'une pile dans un environnement à température extrêmement élevée peut entraîner une explosion ou une fuite de liquide ou de gaz inflammable.

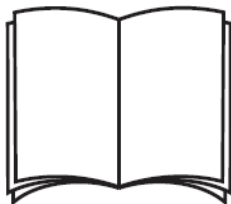
- L'exposition d'une pile à une pression d'air extrêmement basse peut entraîner une explosion ou une fuite de liquide ou de gaz inflammable.
- Veuillez considérer les questions environnementales lors de la mise au rebut des piles.

INSTALLATION

- Déballez toutes les pièces et enlevez le matériau de protection.
- Ne connectez pas l'unité au secteur avant d'avoir vérifié la tension du secteur et avant que toutes les autres connexions n'aient été effectuées.

Accessoires fournis :

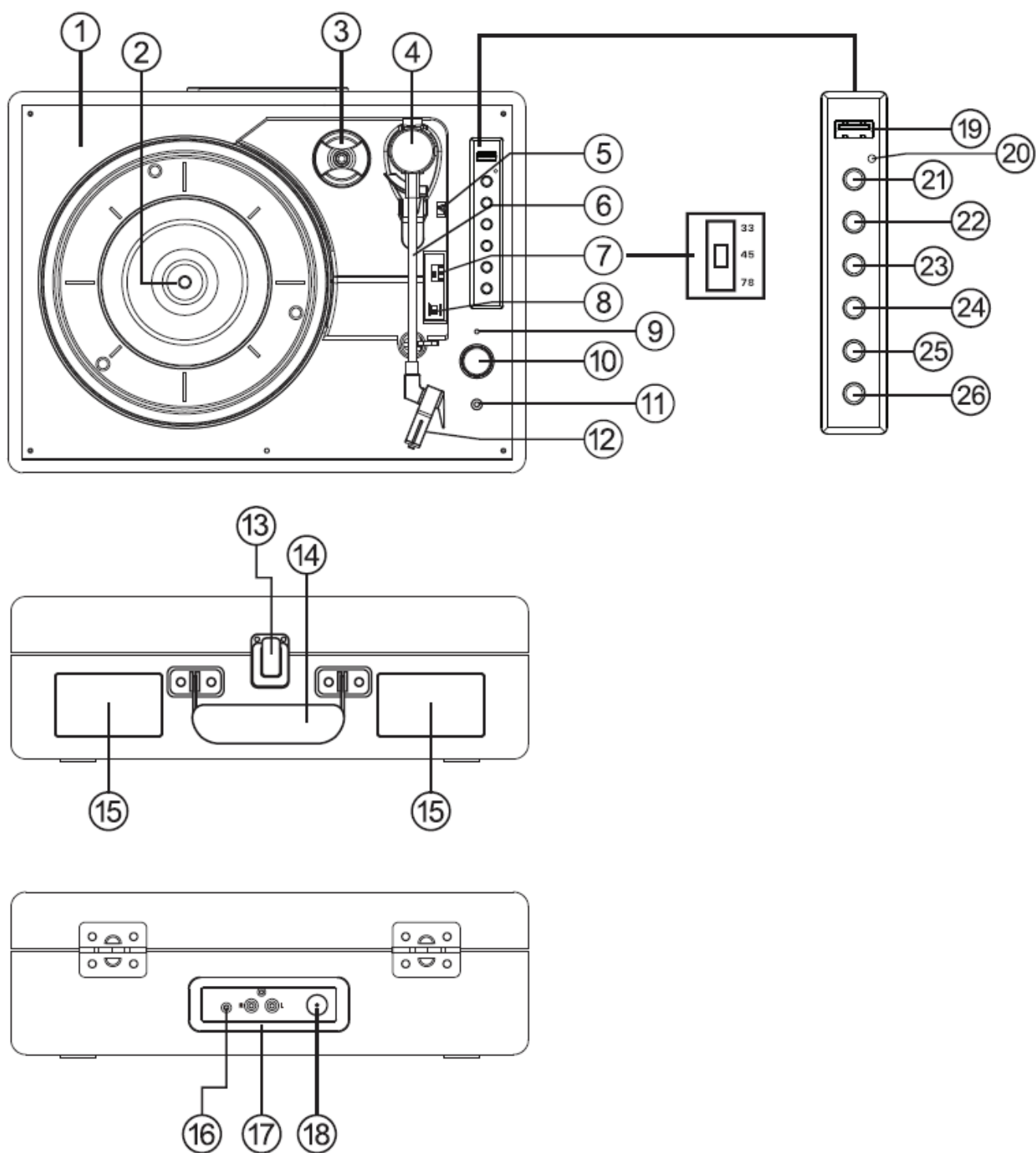
Mode d'emploi



Adaptateur de puissance



Emplacement des boutons



1. Platine de tourne-disque
2. Arbre du tourne-disque
3. Adaptateur du trou central
4. Bras de lecture
5. Relève-bras

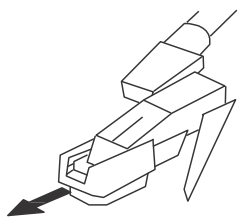
6. Clip de bras de lecture
7. Sélecteur de vitesse du tourne-disque
8. Interrupteur de commande d'arrêt automatique
9. Voyant d'état à LED
10. Bouton d'alimentation /Contrôle du volume
11. Prise casque
12. Tête de lecture
13. Loquet de verrouillage
14. Poignée de transport
15. Haut-parleur
16. Prise d'entrée Aux
17. Canal de sortie de ligne D/G
18. Prise d'entrée CC
19. PORT USB
20. Voyant de fonction
21. Enregistrement
22. Morceau précédent
23. Morceau suivant
24. Lecture/pause
25. Mode
26. Coupler

Mode

1. Appuyez brièvement sur « Mode » pour sélectionner le mode de lecture.
2. Le voyant bleu clignote lors de l'appairage Bluetooth.
3. Le voyant bleu s'allume lorsque le Bluetooth est connecté.
4. Le voyant rouge s'allume lorsqu'il est en mode tourne-disque/mode entrée auxiliaire.
5. Le voyant vert s'allume lorsqu'il est en mode USB.

Utilisation du tourne-disque

1. Placez le boîtier du tourne-disque sur une surface plane.
2. Insérez le cordon d'adaptateur dans la prise jack CC à l'arrière du boîtier et branchez l'adaptateur dans la prise secteur.
3. Lors de la première utilisation, assurez-vous que le serre-câbles est retiré du bras de lecture.
4. Retirez la protection de la tête de la tête de lecture et conservez-la dans un endroit sûr pour une utilisation ultérieure



5. Déplacez le sélecteur de vitesse à la vitesse (33, 45 ou 78 tr/min) correspondant au disque à écouter.
6. Tournez le bouton Volume pour allumer le tourne-disque et le voyant de mode devient rouge.
7. Placez un disque sur l'axe du tourne-disque et débloquez le bras de lecture.
8. Utilisez le relève-bras pour soulever le bras de lecture et le déplacer de sorte que la tête de lecture soit positionnée juste à l'intérieur du bord du disque ou alignée avec le début du morceau à écouter.
9. Abaissez lentement le bras et après un court intervalle, le disque commencera à jouer.
10. Réglez le volume au niveau de votre choix en tournant le bouton de contrôle de volume.
11. Lorsque le disque arrive à sa fin, le tourne-disque s'arrête.
12. Utilisez à nouveau le levier pour soulever le bras de lecture (la platine recommencera à tourner), replacez-le sur le clip et abaissez-le dans le socle. La platine s'arrêtera.
13. Fixez le bras de lecture à l'aide du clip et remettez en place sa protection après utilisation et toujours avant de déplacer le tourne-disque.
14. Pour éteindre le tourne-disque à tout moment, soulevez le bras de lecture sur le disque et tournez le bouton de volume complètement dans le sens antihoraire.

Remarque

Certains disques ont un trou central plus grand et il peut être nécessaire de monter l'adaptateur du trou central sur l'axe du tourne-disque avant d'y placer le disque. Remettez toujours la protection de la tête de lecture et fixez le bras du tourne-disque à l'aide du clip avant de déplacer le tourne-disque.

Utilisation avec un appareil auxiliaire

1. Les équipements audio analogiques auxiliaires peuvent être connectés et amplifiés à travers le tourne-disque.
2. Branchez l'équipement auxiliaire à l'aide d'un câble jack de 3,5 mm (câble non inclus) dans la prise jack d'entrée auxiliaire.
3. Appuyez sur le bouton de lecture de l'équipement auxiliaire et utilisez les contrôles de piste comme d'habitude sur l'appareil auxiliaire.
4. Le volume peut être réglé à l'aide du bouton de volume du tourne-disque ou des commandes de l'appareil auxiliaire connecté.
5. Pour éteindre l'appareil à tout moment, tournez le bouton de volume complètement dans le sens antihoraire.

Utilisation d'écouteurs (non inclus)

Une prise casque stéréo est présente pour que le tourne-disque puisse être utilisé sans déranger les autres. Branchez le casque à l'endroit indiqué près du bouton de volume et réglez le volume d'écoute au niveau que vous avez choisi. Une pression acoustique excessive des écouteurs peut endommager votre audition. Les haut-parleurs du tourne-disque ne fonctionnent pas lorsque des écouteurs sont installés.

Connexion du tourne-disque à un haut-parleur externe

Lors de la connexion du tourne-disque à des haut-parleurs externes (via un amplificateur approprié), utilisez un câble double phono à double phono (non fourni) pour raccorder les prises RCA à l'entrée audio de l'amplificateur. Assurez-vous que les fiches rouges sont insérées dans les prises rouges et les fiches blanches dans les blanches.

Utilisation avec un appareil Bluetooth

Vérifiez que votre tourne-disque est en mode Bluetooth. Si vous n'y êtes pas déjà, appuyez brièvement sur la touche Mode jusqu'à ce que vous y accédiez (le voyant bleu sera allumé). Il commencera à rechercher des appareils Bluetooth (le voyant bleu clignote pendant l'appairage).

En mode Bluetooth :

1. Votre radio recherchera les signaux Bluetooth.
2. Activez la connectivité Bluetooth sur l'appareil (p. ex. iPhone/iPad/Android/autre téléphone/tablette/ordinateur), et vérifiez s'il est « détectable ».

Remarque : Si nécessaire, reportez-vous aux instructions de votre appareil pour ajouter ou configurer Bluetooth.

3. Sélectionnez « Add new device (Ajouter un nouveau dispositif) », si nécessaire.

Remarque : Certains appareils rechercheront automatiquement un nouveau dispositif, par conséquent l'option « Add new device (Ajouter un nouveau dispositif) » ne sera pas disponible.

4. Après avoir été trouvé, votre appareil sera identifié sous le nom « Lenco TT-115 ». Sélectionnez et commencez l'appairage.
5. Une fois l'appairage effectué « Bluetooth Connected (Connexion Bluetooth effectuée) » s'affiche.
6. À présent que vous avez appairé votre appareil avec le tourne-disque, il s'y connectera lorsqu'il sera à portée, c'est-à-dire à environ 10 mètres au maximum en visibilité directe.
7. Votre appareil restera appairé avec le tourne-disque à moins que vous ne décidiez de le déconnecter ou de le « dissocier ».
8. Vous pouvez appuyer brièvement sur « Appairer » pour vous reconnecter.

Lecture Bluetooth

1. Appuyez sur « Previous » pour afficher le morceau précédent de votre appareil Bluetooth.
2. Appuyez sur « Next » pour accéder au morceau suivant de votre appareil Bluetooth.
3. Appuyez sur « Play/pause » pour écouter ou interrompre votre appareil Bluetooth.

« Ce produit est doté d'une fonction de **réception** bluetooth, **vous ne pouvez pas l'utiliser pour transmettre un son bluetooth** : cela signifie que vous pouvez recevoir sans fil un signal sonore bluetooth d'une source externe comme un smartphone. »

Utilisation de la lecture USB

1. Connectez la clé USB ou le lecteur MP3 au port USB.
2. Sa lecture commencera automatiquement

Utilisation de l'encodage USB

Vous pouvez enregistrer un disque vinyle, des MP3 Bluetooth et d'appareils auxiliaires sur une clé USB.

1. Connectez la clé USB au port USB.
2. Appuyez sur « mode » pour sélectionner Bluetooth, tourne-disque ou appareil auxiliaire que vous souhaitez enregistrer sur la clé USB.
3. Appuyez sur « ENREGISTRER », le voyant clignote. Et l'enregistrement démarre.
4. Pour arrêter l'enregistrement, appuyez à nouveau sur « ENREGISTRER ».

COMMENT CHANGER LA TÊTE DE LECTURE

Pour changer la tête de lecture, consultez les instructions ci-dessous.

Démontage de la tête de lecture hors de la cartouche

1. Placez un tournevis sur la pointe de la tête de lecture et poussez vers le bas comme indiqué dans le sens « A ».
2. Enlevez la tête de lecture en la tirant vers l'avant et en poussant vers le bas.

Installation de la tête de lecture

1. Tenez la pointe de la tête de lecture et insérez la tête de lecture en appuyant comme indiqué dans le sens « B ».
2. Poussez la tête de lecture vers le haut comme indiqué dans le sens « C » jusqu'à ce que la tête de lecture se bloque dans la position de la pointe.



Tiges de guidage (internes)

REMARQUE

Nous vous conseillons de nettoyer vos disques avec un tissu anti-statique afin de les apprécier au mieux.

Remarque : pour la même raison, votre tête de lecture doit être changée périodiquement (environ toutes les 250 heures de lecture).

CONSEILS POUR UNE MEILLEURE PERFORMANCE DE TOURNE-DISQUE

1. En ouvrant ou en fermant le couvercle du tourne-disque, manipulez-le délicatement, en le tenant soit au centre soit de chaque côté.
2. Ne touchez pas la pointe de la tête de lecture avec vos doigts, évitez de cogner la tête de lecture contre le plateau du tourne-disque ou le bord du disque.
3. Nettoyez fréquemment la pointe de la tête de lecture en utilisant une brosse douce en faisant uniquement des mouvements « avant-arrière ».
4. Si vous devez utiliser un liquide de nettoyage de tête de lecture, utilisez-en avec grande parcimonie.
5. Nettoyez précautionneusement le boîtier du tourne-disque à l'aide d'un chiffon doux. Utilisez seulement un peu de détergent doux pour nettoyer le tourne-disque.
6. N'appliquez jamais de produits chimiques ni de solvants forts sur aucune pièce du système de tourne-disque.

CARACTÉRISTIQUES TECHNIQUES

| | |
|--------------------------------|--|
| Type | Entraînement par courroie |
| Moteur d'entraînement | Moteur CC |
| Vitesse | 33 1/3 tours, 45 tours, 78 tours |
| Pleurage et scintillement | <0,35% |
| Plateau | 200 mm |
| | |
| cartouche | |
| Type | cartouche en céramique |
| Tête de lecture | 0,7 mm |
| Force d'appui optimale | 6 grammes |
| Sortie | 300 à 500 mV |
| Plage de fréquence | ,+/-20 dB |
| diaphonie | 10 db |
| rapport signal/bruit (S/N) | 18 db |
| | |
| Caractéristiques Générales | |
| Adaptateur | Entrée CA 100-240 V~50/60 Hz ; 0,3 A max. |
| | Sortie CC 5 V 1 A |
| produit | 5 V CC/1 A |
| Sortie audio (sortie de ligne) | 300 à 500 mV |
| Puissance consommée : | 5 W |

| | |
|---------------------------------|--|
| Adaptateur de puissance. | Sortie CC 5 V 1 A |
| | Entrée CA 100-240 V~50/60 Hz ; 0,3 A max. |
| Nom d'appairage Bluetooth : | Lenco TT-115 |
| Prise casque : | 3,5 mm |
| Température de fonctionnement : | 0 à 40 °C |
| Température de stockage : | -20 à 70 °C |

Du fait de l'amélioration continue, les caractéristiques et la conception sont modifiables sans préavis

Adaptateur de puissance

Utilisez uniquement l'alimentation électrique indiquée dans le mode d'emploi.

| Informations | Valeur et précision |
|--|---|
| Nom ou marque du fabricant, enregistrement commercial et adresse | DongGuan Obelieve Electronic Co., Ltd Huazhaoxin Industrial park B-4/F, Golden phoenix Industrial Zone, bourg de Fenggan town, ville de Dongguan, province de Guangdong, Chine |
| Référence du modèle | OBL-0501000E / OBL-0501000B |
| Tension d'entrée | 100 à 240 V |
| Fréquence d'entrée CA | 50/60 Hz |
| Tension de sortie | 5 V |
| Courant de sortie | 1 A |
| Puissance de sortie | 5 W |
| Rendement moyen en mode actif | 73,62 |
| Consommation électrique sans charge | ≤ 0,10 |

Garantie

Commaxx B.V. propose un service et une garantie conformément à la législation européenne, ce qui signifie qu'en cas de besoin de réparation (aussi bien pendant et après la période de garantie), vous pouvez contacter votre revendeur le plus proche.

Remarque importante : il n'est pas possible de renvoyer l'appareil pour réparation directement à Commaxx B.V.

Remarque importante : si l'appareil est ouvert ou modifié de quelque manière que ce soit par un réparateur non agréé, la garantie sera caduque.

Cet appareil ne convient pas à une utilisation professionnelle. En cas d'utilisation professionnelle, les obligations de garantie du fabricant seront annulées.

Clause de non-responsabilité

Des mises à jour du logiciel ou des composants informatiques sont régulièrement effectuées. Il se peut donc que certaines instructions, caractéristiques et images présentes dans ce document diffèrent légèrement de votre configuration spécifique. Tous les articles décrits dans ce guide sont fournis uniquement à des fins d'illustration et peuvent ne pas s'appliquer à une configuration spécifique. Aucun droit légal ne peut être obtenu depuis les informations contenues dans ce manuel.

Mise au rebut de l'appareil usagé



Ce symbole indique que le produit électrique concerné ainsi que les piles ne doivent pas être jetés avec les autres déchets ménagers en Europe. Pour garantir un traitement correct des piles et de l'appareil usagés, veuillez les mettre au rebut conformément aux réglementations locales en vigueur relatives aux appareils électriques et autres piles. En agissant de la sorte, vous contribuerez à la préservation des ressources naturelles et à l'amélioration des niveaux de protection environnementale concernant le traitement et la destruction des déchets électriques (directive sur les déchets des équipements électriques et électroniques).

DECLARATION DE CONFORMITE

Le soussigné, Commaxx, déclare que l'équipement radioélectrique du type [Lenco TT-115] est conforme à la directive 2014/53/UE. Le texte complet de la déclaration UE de conformité est disponible à l'adresse internet suivante:

https://commaxx-certificates.com/doc/tt-115_doc.pdf

| Type RF | Bande de fréquences (MHz) | Puissance (dBm) |
|-----------|---------------------------|-----------------|
| Bluetooth | 2402-2480 | <6 |



AVERTISSEMENT : Pour éviter une éventuelle détérioration de l'ouïe, n'écoutez pas la musique à un niveau de volume élevé pendant des périodes prolongées.

Service après-vente

Pour en savoir plus et obtenir de l'assistance, visitez support.lenco.com

Commaxx B.V. Wiebachstraat 37, 6466 NG Kerkrade, Pays-Bas.

PRECAUCIÓN:

el uso de controles o ajustes distintos, o llevar a cabo procedimientos distintos a aquéllos aquí especificados puede tener como consecuencia una exposición peligrosa a la radiación.

PRECAUCIONES PREVIAS AL USO

TENGA ESTAS INSTRUCCIONES EN MENTE:

30. No cubra o bloquee ninguna apertura de ventilación. Cuando coloque el dispositivo en una estantería, deje 5 cm (2") de espacio libre alrededor de todo el dispositivo.
31. Instálelo conforme al manual de usuario que se adjunta.
32. Mantenga el aparato alejado de fuentes de calor, como radiadores, calentadores, estufas, velas u otros productos que generen calor o llama viva. El aparato solo puede usarse en climas moderados. Se deben evitar los ambientes extremadamente fríos o cálidos. Temperatura de funcionamiento entre 0 ° y 35 °C.
33. Evite usar el dispositivo cerca de campos magnéticos fuertes.
34. Una descarga electrostática puede entorpecer el uso normal de este dispositivo. En tal caso, simplemente reinicielo siguiendo el manual de instrucciones. Durante la transmisión de archivos, por favor manéjelo con cuidado opérelo en un entorno libre de electricidad estática.
35. ¡Advertencia! Nunca inserte un objeto en el producto a través de las ventilaciones o aperturas. Alto voltaje fluye a través del producto e insertar un objeto puede provocar una descarga eléctrica y/o un cortocircuito de sus componentes internos. Por el mismo motivo, no derrame agua o líquidos en el producto.
36. No lo utilice en zonas húmedas, como cuartos de baño, cocinas en las que se forme vapor ni cerca de piscinas.
37. El aparato no debe exponerse a goteos o salpicaduras y asegúrese de que se colocan sobre o cerca del aparato objetos llenos de líquidos, como jarrones.
38. No use este dispositivo cuando se pueda producir condensación. Cuando utilice la unidad en una habitación húmeda y cálida con humedad, pueden generarse gotas de agua o condensación dentro de la unidad y es posible que no funcione correctamente; apague la unidad durante 1 o 2 horas antes de encenderla de nuevo: el aparato debe estar seco antes de conectarse a una fuente de alimentación.
39. Aunque este dispositivo está fabricado con el máximo cuidado y comprobado varias veces antes de salir de fábrica, todavía es posible que se puedan producir problemas, al igual que con todos los aparatos eléctricos. Si observa la aparición de humo, una acumulación excesiva de calor o cualquier otro fenómeno inesperado, deberá desconectar inmediatamente el enchufe de la toma de corriente.
40. Este dispositivo debe funcionar con una fuente de alimentación que se especifica en la etiqueta de especificaciones. Si no está seguro del tipo de alimentación que se usa en su hogar, consulte con el distribuidor o una compañía eléctrica local.
41. Manténgalo alejado de los animales. A algunos animales les gusta morder los cables de alimentación.
42. Para limpiar el dispositivo use un paño seco y suave. No utilice líquidos disolventes ni con base de petróleo. Para eliminar manchas difíciles, puede usar un paño húmedo con detergente diluido.
43. El proveedor no asume ninguna responsabilidad por daños o datos perdidos provocados por un funcionamiento incorrecto, uso incorrecto, modificación del dispositivo o sustitución de la batería.
44. No interrumpa la conexión cuando el dispositivo esté formateando o transfiriendo archivos. En caso contrario, los datos se pueden estropear o perder.
45. Si la unidad dispone de función de reproducción USB, se debe conectar la memoria USB directamente en la unidad. No utilice cables de extensión USB ya que pueden crear interferencias que causen una pérdida de datos.
46. La etiqueta de calificación aparece marcada en el panel inferior o posterior del dispositivo.
47. Este aparato no está diseñado para su uso por personas (incluyendo niños) con discapacidades físicas, sensoriales o mentales o con falta de experiencia o conocimientos, salvo que estén bajo la supervisión o hayan recibido formación sobre el uso correcto del dispositivo por parte de una persona responsable de su seguridad.
48. Este producto está diseñado para un uso no profesional únicamente y no para un uso comercial o industrial.
49. Asegúrese de que la unidad esté fijada en una posición estable. La garantía no cubrirá los daños derivados de usar este producto en una posición inestable, vibraciones o golpes o por no seguir otras advertencias o precauciones que aparecen en este manual de usuario.

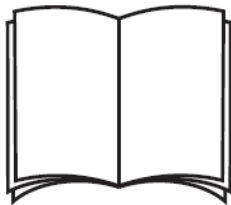
50. Nunca retire la carcasa del dispositivo.
51. Nunca coloque este dispositivo sobre otro equipo eléctrico.
52. Mantenga las bolsas de plástico fuera del alcance de los niños.
53. Use únicamente los dispositivos/accesorios especificados por el fabricante.
54. Remita todas las reparaciones al personal cualificado. Es necesario el mantenimiento cuando el dispositivo presenta daños en cualesquiera manera, como el cable de alimentación o el enchufe, cuando se haya vertido líquido o se hayan caído objetos en el dispositivo, cuando el dispositivo se haya expuesto a la lluvia o humedad, cuando no funcione normalmente o cuando se haya caído.
55. Una larga exposición a sonidos elevados de reproductores de música personales puede provocar una pérdida de audición temporal o permanente.
56. Si el producto viene con un cable de alimentación o un adaptador de corriente de CA:
 - Si se produce cualquier problema, desconecte el cable de alimentación CA y remítase al mantenimiento de personal cualificado.
 - No pise o pince el adaptador de alimentación. Tenga mucho cuidado, en especial cerca de las tomas y el punto de salida del cable. No coloque objetos pesados en el adaptador de alimentación, ya que pueden dañarlo. ¡Mantenga el dispositivo fuera del alcance de los niños! Si juegan con el cable de alimentación, puede sufrir lesiones graves.
 - Desconecte el dispositivo durante tormentas eléctricas o cuando no vaya a usarse durante periodos prolongados de tiempo.
 - La salida de la toma debe instalarse cerca del equipo y debe ser fácilmente accesible.
 - No sobrecargue las tomas CA o los cables de extensión. La sobrecarga puede provocar un incendio o una descarga eléctrica.
 - Los dispositivos con construcción de Clase 1 deben estar conectados a una toma de corriente con una conexión a tierra protegida.
 - * Los dispositivos con construcción Clase 2 no requieren una conexión a tierra.
 - Sujete siempre el enchufe cuando los extraiga de la toma de corriente. No tire del cable de alimentación. Esto puede provocar un cortocircuito.
 - No utilice un cable de alimentación o enchufe deteriorado o una toma suelta. Si lo hace, podría provocar un incendio o una descarga eléctrica.
57. Si el producto contiene o se entrega con un mando a distancia que contiene pilas de botón / celdas: Advertencia:
 - “Ni ingiera la pila, riesgo de quemadura química” o frase equivalente.
 - [El mando a distancia que se suministra] Este producto contiene una pila de tipo botón/moneda. Si la pila se traga, puede provocar graves quemaduras internas en sólo 2 horas y podría ocasionar la muerte.
 - Mantenga las pilas nuevas o usadas fuera del alcance de los niños.
 - Si el compartimiento de las pilas no se cierra correctamente, deje de usar el producto y no lo deje al alcance los niños.
 - Si tiene la sospecha de que una pila ha sido ingerida o se encuentra en algún lugar del cuerpo, busque inmediatamente atención médica.
58. Precaución sobre el uso de las pilas:
 - Existe riesgo de explosión si la pila no se sustituye correctamente. Sustitúyala únicamente con otra del mismo tipo u otro equivalente.
 - No se pueden exponer las pilas a temperaturas extremadamente altas o bajas, baja presión de aire a gran altitud durante el uso, almacenamiento o transporte.
 - Si cambia las pilas por otras que no son las correctas, se puede producir una explosión o la fuga de líquidos o gases inflamables.
 - Si arroja las pilas al fuego o a un horno caliente, o aplasta o corta mecánicamente una pila, podría provocar una explosión.
 - Si deja las pilas en un lugar con temperaturas extremadamente altas, se puede producir una explosión o una fuga de líquido o gas inflamable.
 - Si se exponen las pilas a una presión de aire extremadamente baja, se puede producir una explosión o la fuga de líquidos o gases inflamables.
 - Se debe prestar atención a los aspectos medioambientales sobre la eliminación de baterías.

INSTALACIÓN

- Desembale todas las piezas y retire el material protector.
- No conecte la unidad a la corriente eléctrica antes de comprobar la tensión de la corriente y antes de que se hayan hecho todas las demás conexiones.

Accesorios incluidos:

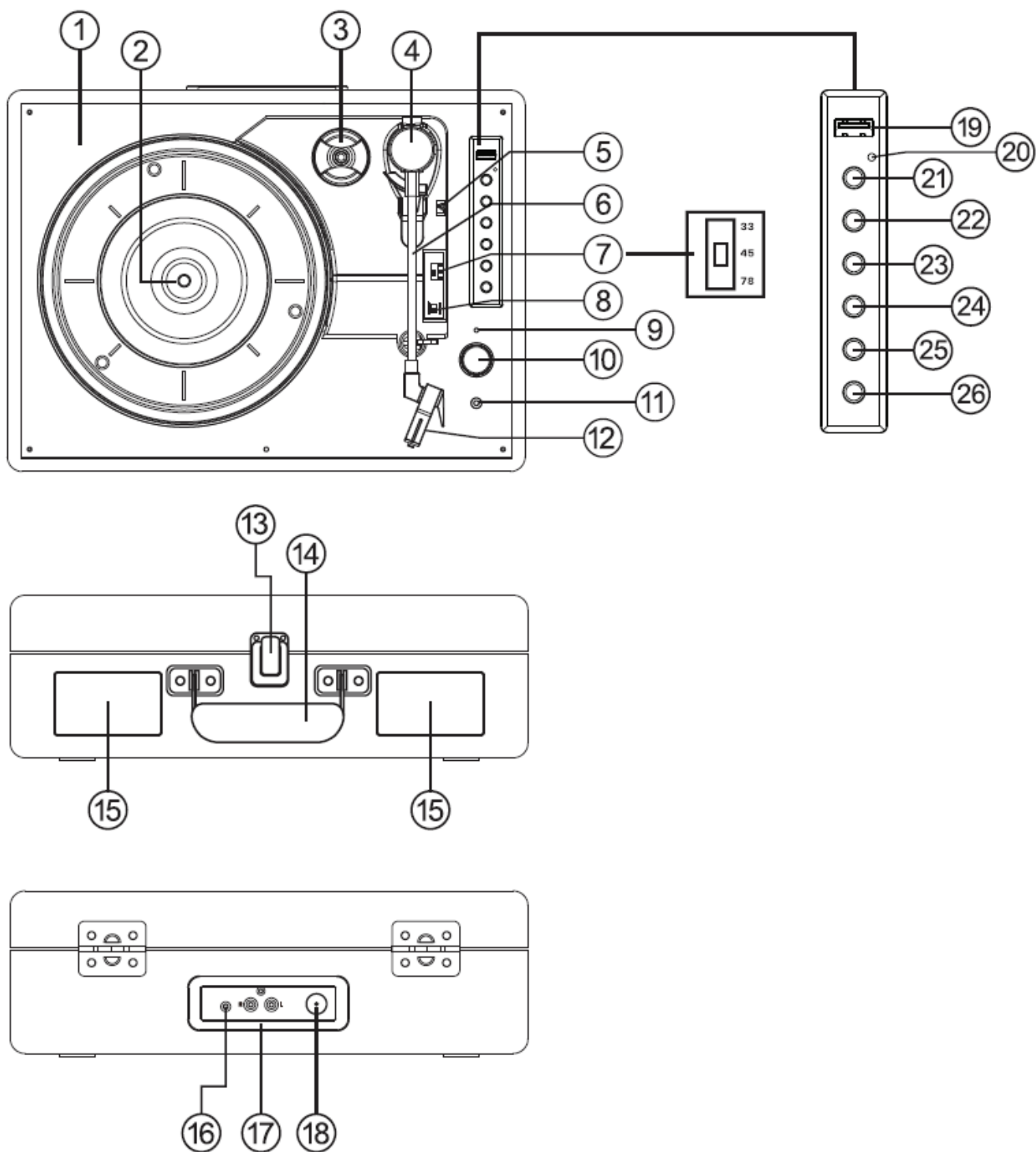
Manual del usuario



Adaptador de corriente



Ubicación de los controles



- 53. Plato del tocadiscos
- 54. Eje del tocadiscos
- 55. Adaptador del agujero central
- 56. Brazo
- 57. Palanca de entrada

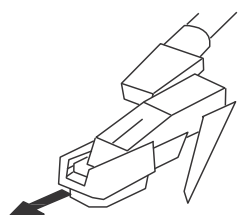
58. Sujeción del brazo
59. Selector de velocidad del tocadiscos
60. Interruptor de control de parada automática
61. Indicador de estado LED
62. Interruptor de alimentación / Control de volumen
63. Conector de auriculares
64. Aguja
65. Cierre de bloqueo
66. Asa de transporte
67. Altavoz
68. Conector de entrada auxiliar
69. Canal de salida de línea R/L
70. Conector de entrada de CC
71. RANURA USB
72. Función LED
73. Grabación
74. Pista anterior
75. Siguiete pista
76. Reproducir/Pausa
77. Modo
78. Emparejamiento

Modo

11. Pulse brevemente “Mode” para seleccionar el modo de reproducción.
12. El LED de color azul parpadeará cuando se empareje el Bluetooth.
13. El LED de color azul se iluminará cuando se conecte el Bluetooth
14. El LED de color rojo se iluminará cuando el tocadiscos esté en modo de entrada auxiliar.
15. El LED verde se iluminará cuando esté en modo USB.

Uso del tocadiscos

29. Coloque la carcasa del tocadiscos sobre una superficie plana y nivelada.
30. Inserte el cable del adaptador en la toma DC situada en la parte posterior de la carcasa y enchufe el adaptador a la toma de corriente.
31. Al usarlo por primera vez, asegúrese de que se retira la unión del cable del brazo del reproductor.
32. Retire la cubierta de la aguja y guárdela en un lugar Seguro para su uso futuro.



33. Mueva el selector de velocidad a la velocidad (33,45 o 78rpm) que se corresponda con el disco que se va a reproducir.
34. Gire el dial de volumen para encender el tocadiscos y se iluminará de color rojo el indicador de modo.
35. Coloque un disco en el plato del tocadiscos y quite la sujeción del brazo
36. Use la palanca de bajada para levantar el brazo y moverlo de forma que la aguja se posicione justo dentro del borde del disco o alineada con el inicio de la pista que se va a reproducir.
37. Baje lentamente el brazo y tras un breve intervalo se empezará a reproducir el disco.
38. Ajuste el volumen al nivel que desee girando el dial de control de volumen.
39. Cuando se alcance el final del disco, el tocadiscos se detendrá.
40. Vuelva a usar la palanca para levantar el brazo (el plato empezará a girar de nuevo) y devuélvalo a la sujeción y bájelo a la horquilla. El plato se detendrá.
41. Asegure el minúsculo brazo usando la sujeción y vuelva a colocar la cubierta de la aguja tras su uso y siempre antes de mover el tocadiscos.
42. Para apagar el tocadiscos en cualquier momento, levante el brazo del disco y gire el dial de volumen completamente en sentido antihorario.

Nota

Algunos discos tienen un agujero central más grande y puede que sea necesario colocar el adaptador de agujeros centrales en el eje del tocadiscos antes de colocar el disco en el tocadiscos. Vuelva siempre a colocar la cubierta de la aguja y asegure el brazo del tocadiscos usando la sujeción antes de mover el tocadiscos.

Uso con un dispositivo auxiliar

11. Se puede conectar y amplificar un equipo de audio analógico auxiliar mediante el tocadiscos.
12. Conecte el equipo auxiliar usando un cable con una toma de 3.5mm (cable no incluido) en la toma de entrada auxiliar.
13. Pulse el botón de reproducción del equipo auxiliar y use los controles de pista de la manera normal en el dispositivo auxiliar.
14. Se puede ajustar el volumen usando el dial de volumen del tocadiscos o los controles del dispositivo auxiliar conectado.
15. Para apagar el dispositivo en cualquier momento gire completamente el dial de volumen en sentido antihorario.

Uso de auriculares (no incluidos)

Se proporciona una toma de auricular estéreo de forma que el tocadiscos puede usarse sin molestar a los demás. Enchufe en auricular en el punto marcado con auricular cerca del dial de volumen y ajuste el volumen de audición al nivel que elija. Una presión de sonido excesiva en los cascos y auriculares puede causar pérdida de audición. Los altavoces del tocadiscos no funcionarán cuando esté conectados los auriculares.

Conexión del tocadiscos a un altavoz externo

Se puede conectar el tocadiscos a altavoces externos (mediante un amplificador adecuado), use un fono gemelo para emparejar el cable del fono (no incluido) y conectar las tomas de salida RCA al audio del amplificador. Asegúrese de que las tomas rojas se insertan en las tomas rojas y las blancas en las blancas.

Uso con un dispositivo Bluetooth

Compruebe que el tocadiscos está en modo Bluetooth. Si todavía no se encuentra en modo Bluetooth, pulse brevemente el botón Mode hasta que se encuentre en modo Bluetooth (se iluminará el LED de color azul).

Empezará a buscar dispositivos Bluetooth (el LED de color azul parpadeará durante el emparejamiento).

En modo Bluetooth:

17. El dispositivo buscará el Bluetooth.

18. En el dispositivo (por ejemplo, iPhone/iPad/Android/otro teléfono /Tablet/Ordenador), encienda la conectividad Bluetooth y asegúrese de que está “descubrible”.

Nota: Si es necesario, remítase a las instrucciones para que su dispositivo añada o configure el Bluetooth.

19. Seleccione “Add new device (Añadir nuevo dispositivo)”, si es necesario.

Nota: Algunos productos buscarán automáticamente un nuevo dispositivo así que la opción “Add new device (Añadir nuevo dispositivo)” no está disponible.

20. Cuando lo encuentre, su dispositivo se mostrará como “Lenco TT-115”. Seleccione y empiece el emparejamiento.

21. Cuando se complete el emparejamiento, se mostrará “Bluetooth Connected (Bluetooth conectado)”.

22. Ahora que ha emparejado el dispositivo con el tocadiscos, se conectará al mismo cuando esté dentro del alcance, que es aproximadamente 10 metros o menos (33 pies o menos), en la línea de visión.

23. El dispositivo permanecerá emparejado con el tocadiscos salvo que decide desconectarlo o “desemparejarlo”.

24. Puede pulsar brevemente “Pair (Emparejar)” para volverse a conectar.

Reproducción Bluetooth

7. Pulse “Previous (Anterior)” para ir a la pista anterior del dispositivo Bluetooth.

8. Pulse “Next (Siguiete)” para ir a la pista siguiente del dispositivo Bluetooth.

9. Pulse “Play/pause (Reproducción / pausa)” para reproducir o hacer una pausa en el dispositivo Bluetooth.

«Este producto dispone de una función de **recepción** bluetooth, **no puede transmitir ningún sonido bluetooth con ella**: esto significa que puede recibir de forma inalámbrica una señal de sonido bluetooth desde una fuente externa como un smartphone».

Uso con reproducción USB

5. Conecte una memoria USB o un reproductor MP3 al puerto USB.

6. Se reproducirá automáticamente.

Uso con codificación USB

Puede grabar un disco de vinilo, Bluetooth y Auxiliar en Mp3 a una memoria USB.

9. Conecte una memoria USB al puerto USB.
10. Pulse "mode" para seleccionar Bluetooth, tocadiscos o auxiliar desde el que pretende grabar al USB.
11. Pulse "REC"; el LED parpadeará. Y estará grabando.
12. Para detener la grabación, vuelva a pulsar "REC".

CÓMO SUSTITUIR LA AGUJA

Consulte las instrucciones siguientes para sustituir la aguja.

Retirar la aguja del cartucho

5. Sitúe un destornillador en el extremo de la aguja y apriete hacia abajo como se muestra en dirección "A".
6. Retire la aguja tirando de ella hacia delante y empujando hacia atrás.

Instalar la aguja.

5. Sujete el extremo de la aguja e insértela apretando como se muestra en dirección "B".
6. Empuje la aguja hacia arriba en dirección "C" hasta que el extremo quede bloqueado.



Pasadores guía (interior)

NOTA

Le aconsejamos limpiar los discos con un paño antiestático para sacarle el máximo provecho.

Señalamos también que por el mismo motivo la aguja debería cambiarse periódicamente (aproximadamente cada 250 horas de reproducción)

CONSEJOS PARA UN MEJOR FUNCIONAMIENTO DEL TOCADISCOS

13. Cuando abra o cierre la cubierta del tocadiscos, manéjela con suavidad, agarrándola del centro o de cada lado.
14. No toque la punta de la aguja con los dedos. Evite golpear la aguja contra el plato del tocadiscos o el borde del disco.
15. Limpie periódicamente la punta de la aguja con un cepillo suave y haciendo solo movimientos de atrás hacia delante.

16. Si necesita usar líquido para limpiar la aguja, utilice muy poca cantidad.
17. Limpie suavemente con un paño el espacio del tocadiscos. Utilice una pequeña cantidad de detergente suave para limpiar el tocadiscos.
18. Nunca utilice productos químicos ni disolventes agresivos en ninguna pieza del sistema tocadiscos.

ESPECIFICACIONES

| | |
|-----------------------------------|--|
| Tipo | Correa de accionamiento |
| Motor de accionamiento | Motor DC |
| velocidad | 33 1/3 rpm, 45 rpm, 78 rpm |
| ululación tremola | <0,35% |
| Plato de tocadiscos | 200mm |
| | |
| cartucho | |
| Tipo | cartucho de cerámica |
| Aguja | 0.7 mil |
| Fuerza de tracción óptima | 6 gramos |
| Salida | 300-500mv |
| Respuesta de frecuencia | ,+/-20dB |
| comunicación cruzada | 10db |
| ratio señal a ruido (S/N) | 18db |
| | |
| General | |
| Adaptador | Entrada CA 100-240V, 50/60Hz, 0.3A máximo salida CC5V 1A |
| producto | CC5 V;1 A |
| salida de audio (salida de línea) | 300-500mv |
| Consumo de energía: | 5 W |

Adaptador de corriente. Salida CC 5V 1A
Entrada CA 100-240V, 50/60Hz, 0.3A
máximo

Nombre de emparejamiento Bluetooth: Lenco TT-115

Toma de auriculares: 3.5mm
Temperatura de funcionamiento: 0°C-40°C
Temperatura de almacenamiento: -20°C-70°C

Debido a las continuas mejoras, las características y el diseño de la unidad están sujetos a cambios sin previo aviso

Adaptador de alimentación

Utilice únicamente la fuente de alimentación indicada en las instrucciones de uso

| Información | Valor y precisión |
|--|---|
| Nombre de los fabricantes o marcas registradas, registro comercial y dirección | DongGuan Obelieve Electronic Co., Ltd Huazhaoxin Industrial park B-4/F, Golden phoenix industrial zone, Fenggan town, Dongguan city, Guangdong province, China |
| Identificador del modelo | OBL-0501000E / OBL-0501000B |
| Tensión de entrada | 100-240V |
| Frecuencia CA de entrada | 50/60HZ |
| Tensión de salida | 5 V |
| Corriente de salida | 1A |
| Potencia de salida | 5 W |
| Eficiencia activa media | 73.62 |
| Consumo energético sin carga | ≤ 0.10 |

Garantía

Commaxx B.V. ofrece servicio y garantía en cumplimiento con las leyes de la Unión Europea, lo cual implica que, en caso de que su producto precise ser reparado (tanto durante como después del periodo de garantía), deberá contactar directamente con su distribuidor.

Nota importante: No es posible enviar sus reparaciones directamente a Commaxx B.V.

Nota importante: Si la unidad es abierta por un centro de servicio no oficial, la garantía quedará anulada.

Este aparato no es adecuado para el uso profesional. En caso de darle un uso profesional, todas las obligaciones de garantía del fabricante quedarán anuladas.

Exención de responsabilidad

Regularmente se llevan a cabo actualizaciones en el Firmware y en los componentes del hardware. Por esta razón, algunas de las instrucciones, especificaciones e imágenes incluidas en este documento pueden diferir ligeramente respecto a su situación particular. Todos los elementos descritos en esta guía tienen un objetivo de mera ilustración, y pueden no ser de aplicación en su situación particular. No se puede obtener ningún derecho ni derecho legal a partir de la descripción hecha en este manual.

Eliminación del antiguo dispositivo



Este símbolo indica que no deberá deshacerse del producto eléctrico o batería en cuestión junto con los residuos domésticos, en el ámbito de la UE. Para garantizar un tratamiento residual correcto del producto y su batería, por favor, elimínelos cumpliendo con las leyes locales aplicables sobre requisitos para el desecho de equipos eléctricos y baterías. De hacerlo, ayudará a conservar recursos naturales y mejorar los estándares de protección medioambiental en el tratamiento y eliminación de residuos eléctricos (Directiva sobre la Eliminación de Equipos Eléctricos y Electrónicos).

DECLARACIÓN DE CONFORMIDAD

Por la presente, Commaxx declara que el tipo de equipo radioeléctrico [Lenco TT-115] es conforme con la Directiva 2014/53/UE. El texto completo de la declaración UE de conformidad está disponible en la dirección Internet siguiente:

https://commaxx-certificates.com/doc/tt-115_doc.pdf

| Tipo de radiofrecuencia | Rango de frecuencia (MHz) | Potencia (dBm) |
|-------------------------|---------------------------|----------------|
| Bluetooth | 2402-2480 | <6 |



ADVERTENCIA: Para evitar posibles daños en la audición, no la escuche a volúmenes elevados durante largos periodos de tiempo.

Servicio

Para obtener más información y soporte del departamento técnico, por favor, visite la página web

support.lenco.com

Commaxx B.V. Wiebachstraat 37, 6466 NG Kerkrade, Países Bajos.

ATTENZIONE:

L'utilizzo di controlli o regolazioni o l'esecuzione di procedure diverse da quelle specificate può causare l'esposizione a radiazioni pericolose.

PRECAUZIONI PRIMA DELL'USO

CONSERVARE QUESTE ISTRUZIONI:

1. Non coprire o bloccare le aperture di ventilazione. Quando si posiziona il dispositivo su uno scaffale, lasciare uno spazio libero di 5 cm (2") attorno all'intero perimetro.
2. Installare secondo quanto riportato nel manuale fornito.
3. Tenere il dispositivo lontano da sorgenti termiche come radiatori, termosifoni, stufe, candele e altri prodotti che generano calore o fiamme libere. Il dispositivo può essere utilizzato solo in climi moderati. Evitare ambienti estremamente freddi o caldi. Temperatura operativa compresa tra 0° e 35°C.
4. Evitare l'uso del dispositivo in presenza di forti campi magnetici.
5. Le scariche elettrostatiche possono interferire con il normale utilizzo di questo dispositivo. In tal caso, è sufficiente ripristinare e riavviare il dispositivo seguendo il manuale di istruzioni. Durante la trasmissione di file, maneggiarlo con cura e operare in un ambiente privo di elettricità statica.
6. Avviso! Non inserire mai oggetti nel prodotto attraverso le prese d'aria o le aperture. All'interno del prodotto sono presenti tensioni elevate e l'inserimento di un oggetto può provocare scariche elettriche e/o cortocircuiti. Per lo stesso motivo, non versare acqua o liquidi sul prodotto.
7. Non utilizzare in aree umide o bagnate come bagni, cucine con vapore o piscine.
8. Non esporre il dispositivo a schizzi o gocciolamenti di liquidi; non poggiare sopra o accanto al dispositivo oggetti contenenti liquidi, ad esempio vasi.
9. Non utilizzare questo dispositivo in caso di condensa. Quando l'unità viene utilizzata in una stanza calda e umida, all'interno dell'unità possono formarsi goccioline d'acqua o condensa e l'unità potrebbe non funzionare correttamente; lasciare l'unità spenta per 1 o 2 ore prima di accenderla: l'unità deve essere asciutta prima di essere alimentata.
10. Sebbene questo dispositivo sia fabbricato con la massima cura e controllato più volte prima di lasciare la fabbrica, è comunque possibile che si verifichino problemi come per qualsiasi altra apparecchiatura elettrica. Se si nota fumo, eccessivo accumulo di calore o altri fenomeni imprevisti, scollegare immediatamente la spina dalla presa di alimentazione principale.
11. Questo dispositivo deve funzionare con una fonte di alimentazione con i valori indicati sull'etichetta delle specifiche. Se non si è sicuri del tipo di alimentazione utilizzata in casa, consultare il rivenditore o la compagnia elettrica locale.
12. Tenere fuori dalla portata degli animali domestici, Ad alcuni animali piace mordere i cavi di alimentazione.
13. Per pulire il dispositivo, utilizzare un panno morbido e asciutto. Non usare solventi o liquidi a base di benzina. Per rimuovere le macchie persistenti, è possibile utilizzare un panno umido con detergente diluito.
14. Il fornitore non è responsabile per danni o perdita di dati causati da malfunzionamento, uso improprio, modifica del dispositivo o sostituzione della batteria.
15. Non interrompere la connessione quando il dispositivo sta formattando o trasferendo file. In caso contrario, i dati potrebbero essere danneggiati o andare persi.
16. Se l'unità dispone della funzione di riproduzione USB, la chiavetta USB deve essere collegata direttamente all'unità. Non utilizzare una prolunga USB perché può causare interferenze con conseguenti anomalie dati.
17. L'etichetta di classificazione è stata contrassegnata sul pannello inferiore o posteriore del dispositivo.
18. Questo dispositivo non è destinato all'uso da parte di persone (compresi i bambini) con disabilità fisiche, sensoriali o mentali, o mancanti di esperienza e conoscenza, a meno che non siano sotto supervisione o abbiano ricevuto istruzioni circa l'uso corretto del dispositivo da parte di chi è responsabile per la loro sicurezza.
19. Questo prodotto è destinato esclusivamente all'uso non professionale e non commerciale o industriale.
20. Assicurarsi che l'unità sia collocata in una posizione stabile. I danni causati dall'uso di questo prodotto in una posizione instabile, vibrazioni o urti o la mancata osservanza di qualsiasi altro avvertimento o precauzione indicati in questo manuale utente non saranno coperti da garanzia.
21. Non rimuovere mai la carcassa di questo dispositivo.

22. Non posizionare mai questo dispositivo su altre apparecchiature elettriche.
23. Non permettere ai bambini di accedere ai sacchetti di plastica.
24. Utilizzare solo collegamenti/accessori specificati dal produttore.
25. Rivolgersi a personale qualificato per l'assistenza. L'assistenza è necessaria quando il dispositivo è stato in qualche modo danneggiato, come il cavo di alimentazione o la spina, quando è stato versato del liquido o sono caduti oggetti nel dispositivo, quando il dispositivo è stato esposto a pioggia o umidità, non funziona normalmente o è stato abbandonato.
26. L'esposizione prolungata ai suoni ad alto volume dei lettori musicali può causare una perdita temporanea o permanente dell'udito.
27. Se il prodotto viene consegnato con cavo di alimentazione o adattatore di alimentazione CA:
 - In caso di problemi, scollegare il cavo di alimentazione CA e rivolgersi a personale qualificato per l'assistenza.
 - Non calpestare o schiacciare l'alimentatore. Fare molta attenzione, in particolare vicino alle prese e al punto di uscita del cavo. Non posizionare oggetti pesanti sull'alimentatore in quanto potrebbero danneggiarlo. Tenere il dispositivo fuori dalla portata dei bambini. Giocando con il cavo di alimentazione possono infortunarsi seriamente.
 - Scollegare il dispositivo durante i temporali o quando non viene utilizzato per un lungo periodo.
 - La presa di corrente deve essere installata vicino all'apparecchio e deve essere facilmente accessibile.
 - Non sovraccaricare le prese CA né le prolunghie. Il sovraccarico può causare incendi o scariche elettriche.
 - I dispositivi con struttura di classe 1 devono essere collegati a una presa di rete con connessione di messa a terra di protezione.
 - I dispositivi con struttura di classe 2 non richiedono un collegamento a terra.
 - Tenere sempre la spina quando la si estrae dalla presa di rete. Non tirare il cavo di alimentazione. Ciò può causare un cortocircuito.
 - Non utilizzare un cavo o una presa di alimentazione danneggiati o una presa non fissata. Tale azione potrebbe provocare incendi o scariche elettriche.
28. Se il prodotto contiene o viene consegnato con un telecomando contenente batterie a pulsante/a bottone:

Avvertenza:

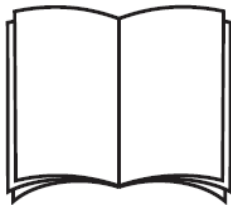
 - "Non ingerire la batteria, pericolo di ustioni chimiche" o funzionamento equivalente.
 - (Il telecomando in dotazione con) Il presente prodotto contiene una pila a bottone. Se ingerita, la batteria può causare gravi ustioni interne in sole 2 ore e portare alla morte.
 - Tenere le batterie, nuove o usate, fuori dalla portata dei bambini.
 - Se il vano batteria non si chiude completamente, interrompere l'uso del dispositivo e tenerlo fuori dalla portata dei bambini.
 - Se si teme che delle batterie possano essere state inghiottite o essere venute a contatto con qualsiasi parte interna del corpo, contattare immediatamente un medico.
29. Precauzioni sull'uso delle batterie:
 - Pericolo di esplosione se la batteria viene sostituita in modo errato. Sostituire solo con lo stesso tipo o equivalente.
 - Non sottoporre le batterie a temperature estreme alte o basse, bassa pressione dell'aria ad alta quota durante l'uso, lo stoccaggio o il trasporto.
 - La sostituzione con una batteria di tipo errato può provocare un'esplosione o la perdita di liquidi o gas infiammabili.
 - Lo smaltimento di una batteria nel fuoco o in un forno caldo o lo schiacciamento o il taglio meccanico di una batteria possono provocare un'esplosione.
 - Lasciare una batteria in un ambiente circostante a temperatura estremamente elevata può provocare un'esplosione o una perdita di liquidi o gas infiammabili.
 - Una batteria soggetta a una pressione dell'aria estremamente bassa può provocare un'esplosione o una perdita di liquidi o gas infiammabili.
 - È necessario prestare attenzione agli aspetti ambientali legati allo smaltimento delle batterie.

INSTALLAZIONE

- Disimballare tutte le parti e rimuovere il materiale protettivo.
- Non collegare l'unità alla rete elettrica prima di avere controllato la tensione di rete e prima che siano stati effettuati tutti gli altri collegamenti.

Accessori inclusi

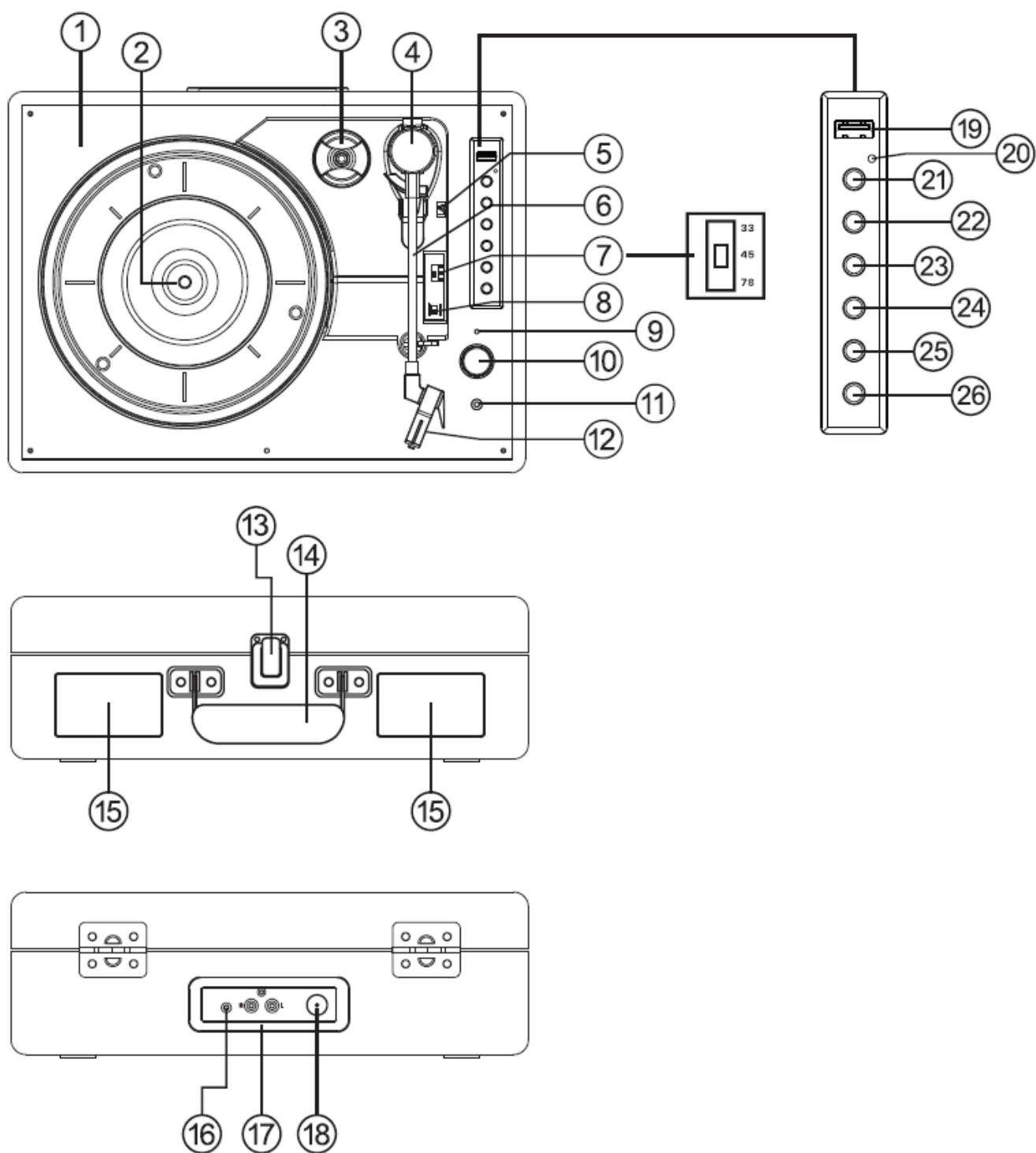
Manuale d'uso



Alimentatore



Pozione dei comandi



1. Piatto del giradischi
2. Albero motore del giradischi
3. Adattatore per foro centrale
4. Braccio di lettura
5. Leva di posizionamento

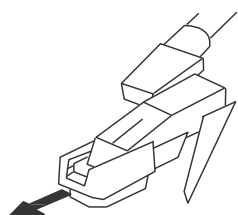
6. Fermo del braccio di lettura
7. Selettore di velocità del giradischi
8. Interruttore di arresto automatico
9. Indicatore di stato a LED
10. Interruttore di alimentazione/Regolazione del volume
11. Jack per cuffie
12. Puntina
13. Chiusura a scatto
14. Maniglia per il trasporto
15. Altoparlante
16. Jack di ingresso Aux
17. Uscita audio (Line out) canale R/L
18. Jack di ingresso CC
19. Alloggiamento USB
20. LED funzione
21. Registrazione
22. Brano precedente
23. Brano successivo
24. Riproduzione/pausa
25. Modalità
26. Associazione

Modalità

1. Premere brevemente “Modalità” per selezionare la modalità di riproduzione.
2. Il LED blu lampeggia quando il Bluetooth è in fase di associazione.
3. Il LED blu si accende quando il Bluetooth è connesso
4. Il LED rosso si illumina in modalità giradischi/Aux.
5. Il LED verde si illumina in modalità USB.

Utilizzo del giradischi

1. Posizionare l'alloggiamento del giradischi su una superficie piana.
2. Inserire un'estremità del cavo dell'adattatore nella presa CC sul retro dell'alloggiamento e inserire l'altra estremità dell'adattatore nella presa di alimentazione.
3. Al primo utilizzo, assicurarsi che la fascetta venga rimossa dal braccio del lettore.
4. Rimuovere il cappuccio di protezione della testina e conservarla in un luogo sicuro per utilizzi futuri



5. Spostare il selettore di velocità (a 33,45 o 78 giri/min) in modo che corrisponda a quella del disco riprodotto
6. Ruotare la manopola di regolazione del volume per accendere il giradischi, l'indicatore di modalità diventerà rosso
7. Posizionare un disco sul mandrino del giradischi e sganciare il braccio di lettura
8. Usare la leva di posizionamento per sollevare il braccio di lettura e spostarlo in modo che la puntina venga posizionata esattamente sul bordo del disco o orientata in modo tale da poter avviare la riproduzione del brano.
9. Abbassare lentamente il braccio e dopo qualche istante verrà avviata la riproduzione del disco
10. Regolare il volume al livello desiderato ruotando la manopola di regolazione del volume
11. Al termine della riproduzione del disco, il giradischi si ferma
12. Utilizzare nuovamente la leva per sollevare il braccio di lettura (il piano inizierà a ruotare di nuovo), riportare il braccio verso il fermo e abbassarlo nell'apposito supporto. A questo punto il piano si ferma
13. Fissare il braccio di lettura con il fermo e reinserire il cappuccio della puntina dopo l'uso e sempre prima di spostare il giradischi.
14. Per spegnere il giradischi in qualsiasi momento, sollevare il braccio di lettura sul disco e ruotare la manopola del volume completamente in senso antiorario.

Nota

Alcuni dischi presentano un foro centrale più grande e potrebbe essere necessario montare l'adattatore per il foro centrale sull'albero del giradischi prima di posizionare il disco. Prima di spostare il giradischi, reinserire sempre il cappuccio della puntina e fissare il braccio del giradischi tramite l'apposito fermo.

Utilizzo tramite dispositivo ausiliario

1. Gli apparecchi analogici audio ausiliari possono essere collegati e amplificati tramite il giradischi.
2. Collegare l'apparecchio ausiliario utilizzando un cavo jack da 3,5 mm (non incluso) da inserire nel connettore jack AUX IN.
3. Premere il pulsante di riproduzione sull'apparecchio ausiliario e utilizzare i comandi di riproduzione su quest'ultimo come di consueto.
4. Il volume può essere regolato tramite la manopola di regolazione del volume del giradischi o i comandi del dispositivo ausiliario.
5. Per spegnere l'unità in qualsiasi momento, ruotare completamente la manopola del volume in senso antiorario.

Utilizzo delle cuffie (non incluse)

Per utilizzare il giradischi senza disturbare gli altri, nella fornitura è stato incluso un jack per cuffie stereo. Inserire le cuffie nel punto di collegamento contrassegnato con tale dicitura accanto alla manopola di regolazione del volume e regolare il volume al livello desiderato. Un'eccessiva pressione sonora generata da

auricolari o cuffie può comportare la perdita dell'udito. Gli altoparlanti del giradischi non saranno operativi quando vengono collegate le cuffie.

Collegamento del giradischi a un altoparlante esterno

Per il collegamento del giradischi a degli altoparlanti esterni (tramite un amplificatore adatto), utilizzare un cavo phono a due connettori (non incluso) per collegare i jack di uscita RCA all'ingresso Audio dell'amplificatore. Assicurarsi di collegare i connettori rossi e bianchi nelle rispettive prese dello stesso colore.

Utilizzo di un dispositivo Bluetooth

Assicurarsi che il giradischi si trovi in modalità Bluetooth. In caso contrario, premere brevemente il pulsante Modalità finché non viene impostata la modalità Bluetooth (il LED blu si accende). Verrà avviata la ricerca dei dispositivi Bluetooth (il LED blu lampeggia durante l'associazione).

In modalità Bluetooth:

1. Il proprio dispositivo effettua la ricerca Bluetooth.
2. Sul dispositivo (ad es. iPhone/iPad/Android/altro telefono/Tablet/Computer), attivare la connettività Bluetooth e fare in modo che sia 'visibile'.

Nota: se necessario, fare riferimento alle istruzioni del proprio dispositivo per aggiungere o configurare il Bluetooth.

3. Selezionare 'Aggiungi dispositivo', se necessario.

Nota: alcuni prodotti effettuano la ricerca dei nuovi dispositivi in modo automatico, pertanto in tal caso l'opzione 'Aggiungi nuovo dispositivo' non sarà disponibile.

4. Una volta rilevato, il dispositivo appare come "Lenco TT-115". Selezionare e avviare l'associazione.
5. Al termine dell'associazione, verrà visualizzato 'Bluetooth connesso'.
6. A questo punto, dopo aver associato il dispositivo al giradischi, quest'ultimo si conatterà ad esso entro un raggio d'azione di circa 10 metri o meno (33 piedi o meno), in linea visiva.
7. Il proprio dispositivo rimarrà associato al giradischi a meno che non si decida di disconnetterlo o 'annullare l'associazione'.
8. È possibile premere brevemente "Associa" per la riconnessione.

Riproduzione Bluetooth

1. Premere "Previous" per passare al brano precedente del proprio dispositivo Bluetooth.
2. Premere "Next" per passare al brano successivo del proprio dispositivo Bluetooth.
3. Premere "Play/Pause" per riprodurre o mettere in pausa il proprio dispositivo Bluetooth.

"Questo prodotto ha una funzione di **ricezione** bluetooth, **non puoi trasmettere alcun suono bluetooth con esso**: questo significa che puoi ricevere in modalità wireless un segnale audio bluetooth da una fonte esterna come uno smartphone."

Riproduzione USB

1. Collegare la memoria flash o il lettore MP3 alla porta USB.
2. La riproduzione comincerà automaticamente

Codifica USB

È possibile registrare un disco in vinile, una sorgente Bluetooth o Aux in MP3 su un'unità di memoria flash USB.

1. Collegare l'unità di memoria flash USB alla porta USB.
2. Premere "mode" e selezionare Bluetooth, giradischi o Aux, a seconda della fonte da cui si desidera registrare sull'unità USB.
3. Premere "REC"; la spia LED lampeggerà. Ciò indica che la registrazione è in corso.
4. Per interrompere la registrazione, premere di nuovo "REC".

COME SOSTITUIRE L'AGO

Per sostituire l'ago fare riferimento alle istruzioni di seguito.

Rimozione dell'ago dalla testina.

1. Posizionare un cacciavite sulla punta della puntina e spingere verso il basso come mostrato in direzione "A".
2. Rimuovere la puntina tirandola in avanti e spingendo verso il basso.

Installazione della puntina

1. Tenere la punta della puntina e inserire la puntina premendo come mostrato in direzione "B".
2. Spingere la puntina verso l'alto come nella direzione "C" finché la puntina non si blocca nella posizione della punta.



Perni guida (interni)

NOTE

Ti consigliamo di pulire i tuoi dischi con un panno antistatico per trarne il massimo divertimento.

Segnaliamo inoltre che, per lo stesso motivo, la puntina dovrebbe essere sostituita periodicamente (circa ogni 250 ore di riproduzione)

SUGGERIMENTI PER MIGLIORI PRESTAZIONI DEL GIRADISCHI

1. Quando si apre o si chiude il coperchio del piatto rotante, maneggiarlo delicatamente, afferrandolo al centro o su entrambi i lati.
2. Non toccare la punta dell'ago con le dita; evitare di sbattere l'ago contro il piatto del giradischi o il bordo del disco.
3. Pulire frequentemente la punta dell'ago: utilizzare una spazzola morbida solo con un movimento "da dietro a davanti".
4. Se devi usare un liquido per la pulizia degli aghi, usalo con molta parsimonia.
5. Pulire delicatamente l'alloggiamento del giradischi con un panno morbido. Utilizzare soltanto una piccola quantità di detergente delicato per pulire il giradischi.
6. Non applicare mai prodotti chimici o solventi aggressivi a nessuna parte del sistema del giradischi.

SPECIFICHE

| | |
|--------------------------------|---|
| Tipo | trasmissione a cinghia |
| Motore di trasmissione | Motore CC |
| velocità | 33 1/3 rpm, 45 rpm, 78 rpm |
| wow and flutter | <0,35% |
| Piatto girevole | 200mm |
| | |
| testina | |
| Tipo | testina in ceramica |
| Puntina | 0.7 mil |
| Forza di tracciamento ottimale | 6 grammi |
| uscita | 300-500 mv |
| Risposta in frequenza | ,+/-20 dB |
| diafonia | 10 db |
| rapporto segnale-rumore (S/N) | 18 db |
| | |
| Generale | |
| Adattatore | Ingresso CA 100-240 V, 50/60 Hz, 0,3 A max. |
| | Uscita CC 5 V 1 A |
| prodotti | CC 5 V 1 A |
| uscita audio (Line-Out) | 300-500 mv |
| Consumo | 5 W |

Alimentatore. Uscita CC 5 V 1 A
Ingresso CA 100-240 V, 50/60 Hz, 0,3 A max.

Nome di associazione Bluetooth: Lenco TT-115

Presa per cuffie: 3,5 mm

Temperatura di esercizio: 0-40 °C

Temperatura di stoccaggio: -20-70 °C

In virtù dei continui miglioramenti, le caratteristiche e il design sono soggetti a modifiche senza preavviso

Alimentatore

Utilizzare solo l'alimentazione indicata nel presente manuale.

| Informazioni | Valore e precisione |
|--|--|
| Nome del produttore o marchio commerciale, registrazione commerciale e indirizzo | DongGuan Obelieve Electronic Co., Ltd Parco industriale Huazhaoxin B-4/F, zona industriale Golden phoenix, città di Fenggan, città di Dongguan, provincia di Guangdong, Cina |
| Identificatore del modello | OBL-0501000E / OBL-0501000B |
| Tensione in ingresso | 100-240V |
| Frequenza in ingresso CA | 50/60 Hz |
| Tensione in uscita | 5 V |
| Corrente in uscita | 1 A |
| Potenza in uscita | 5 W |
| Efficienza media attiva | 73,62 |
| Nessun carico Consumo energetico | ≤ 0,10 |

Garanzia

Commaxx B.V. offre assistenza e garanzia in conformità con la legge europea, il che significa che in caso di riparazioni (sia durante che dopo il periodo di garanzia) è necessario contattare il rivenditore locale.

Nota importante: Non è possibile inviare direttamente a Commaxx B.V. i prodotti da riparare.

Nota importante: Qualora l'unità venga aperta o manomessa in qualsiasi modo da un centro di assistenza non riconosciuto, la garanzia decade.

Questo dispositivo non è adatto per l'uso professionale. Qualora l'unità venga utilizzata per scopi professionali, tutti gli obblighi del produttore derivanti dalla garanzia sono nulli.

Clausola di esclusione della responsabilità

Il firmware e/o i componenti hardware vengono aggiornati regolarmente. Pertanto, è possibile che alcune parti relative a istruzioni, specifiche e immagini contenute nella presente documentazione siano diverse da quanto riscontrato nel singolo caso. Tutte le descrizioni incluse in questa guida sono fornite a puro titolo illustrativo e non si applicano necessariamente alla specifica situazione. Nessun diritto legale o contrattuale può derivare dalle descrizioni contenute nel presente libretto di istruzioni.

Smaltimento a fine vita del dispositivo



Questo simbolo indica che in Europa è vietato gettare il relativo prodotto elettrico o batteria tra i rifiuti domestici. Per il corretto smaltimento a fine vita del prodotto e della batteria, attenersi alle vigenti normative locali per il trattamento dei rifiuti da apparecchiature elettriche ed elettroniche e delle batterie. In tal modo si contribuisce a salvaguardare le risorse naturali e a migliorare gli standard per la protezione dell'ambiente nel trattamento dei rifiuti da apparecchiature elettriche ed elettroniche (Direttiva RAEE).

DICHIARAZIONE DI CONFORMITÀ

Il fabbricante, Commaxx, dichiara che il tipo di apparecchiatura radio [Lenco TT-115] è conforme alla direttiva 2014/53/UE. Il testo completo della dichiarazione di conformità UE è disponibile al seguente indirizzo Internet: https://commaxx-certificates.com/doc/tt-115_doc.pdf

| Tipo RF | Intervallo di frequenze (MHz) | Potenza (dBm) |
|-----------|-------------------------------|---------------|
| Bluetooth | 2402-2480 | <6 |



AVVERTENZA: per prevenire possibili danni all'udito, evitare l'ascolto ad alto volume per periodi di tempo prolungati.

Assistenza

Per ulteriori informazioni e accesso all'helpdesk, visitare il sito support.lenco.com

Commaxx B.V. Wiebachstraat 37, 6466 NG Kerkrade, Paesi Bassi.

Używanie elementów sterujących lub regulacji lub wykonywanie procedur innych niż określone w niniejszym dokumencie może spowodować narażenie na niebezpieczne promieniowanie.

ŚRODKI OSTROŻNOŚCI PRZED UŻYCIEM

1. Nie zakrywaj, ani nie blokuj otworów wentylacyjnych. Ustawiając urządzenie na półce, pozostaw 5 cm (2") wolnej przestrzeni wokół całego urządzenia.
2. Zainstaluj zgodnie z dostarczoną instrukcją obsługi.
3. Trzymaj urządzenie z dala od źródeł ciepła, takich jak kaloryfery, grzejniki, piecyki, świece i inne produkty wytwarzające ciepło lub otwarty ogień. Urządzenie może być używane tylko w klimacie umiarkowanym. Należy unikać skrajnie zimnych lub ciepłych środowisk. Temperatura pracy od 0° do 35°C.
4. Unikaj używania urządzenia w pobliżu silnych pól magnetycznych.
5. Wyładowania elektrostatyczne mogą zakłócić normalne użytkowanie tego urządzenia. Jeśli tak, po prostu zresetuj i uruchom ponownie urządzenie zgodnie z instrukcją obsługi. Podczas przesyłania plików należy obchodzić się z nimi ostrożnie i działać w środowisku wolnym od ładunków elektrostatycznych.
6. Ostrzeżenie! Nigdy nie wkładaj żadnych przedmiotów do produktu przez otwory wentylacyjne lub otwory. Wysokie napięcie przepływa przez produkt i włożenie przedmiotu do obudowy może spowodować porażenie prądem i/lub zwarcie części wewnętrznych. Z tego samego powodu nie wolno wylewać wody ani płynów na produkt.
7. Nie używaj w mokrych lub wilgotnych miejscach, takich jak łazienki, zaparowane kuchnie lub w pobliżu basenów.
8. Urządzenie nie może być narażone na kapanie lub zachlapanie i należy upewnić się, że żadne przedmioty wypełnione płynami, takie jak wazon, nie są umieszczone na urządzeniu lub w jego pobliżu.
9. Nie używaj tego urządzenia, gdy może wystąpić kondensacja. Gdy urządzenie jest używane w ciepłym i wilgotnym pomieszczeniu, wewnątrz urządzenia mogą pojawić się krople wody lub kondensacja i urządzenie może nie działać prawidłowo; pozostaw urządzenie w stanie WYŁĄCZONYM przez 1 lub 2 godziny przed włączeniem zasilania: urządzenie powinno być suche przed włączeniem zasilania.
10. Chociaż to urządzenie jest produkowane z najwyższą starannością i kilkakrotnie sprawdzane przed opuszczeniem fabryki, nadal mogą wystąpić problemy, podobnie jak w przypadku wszystkich urządzeń elektrycznych. W przypadku zauważenia dymu, nadmiernego nagrzewania się lub innych nieoczekiwanych zjawisk należy natychmiast wyjąć wtyczkę z gniazdka sieciowego.
11. To urządzenie musi działać na źródle zasilania określonym na etykiecie specyfikacji. Jeśli nie masz pewności co do rodzaju zasilacza używanego w Twoim domu, skonsultuj się ze sprzedawcą lub lokalną firmą energetyczną.
12. Trzymaj z dala od zwierząt. Niektóre zwierzęta lubią gryźć przewody zasilające.
13. Do czyszczenia urządzenia użyj miękkiej, suchej szmatki. Nie używaj rozpuszczalników ani płynów na bazie benzyny. W celu usunięcia silnych zabrudzeń, użyj wilgotnej szmatki z rozcieńczonym detergentem.
14. Dostawca nie ponosi odpowiedzialności za uszkodzenia lub utratę danych spowodowane awarią, niewłaściwym użytkowaniem, modyfikacją urządzenia lub wymianą baterii.
15. Nie przerywaj połączenia, gdy urządzenie formatuje lub przesyła pliki. W przeciwnym razie dane mogą zostać uszkodzone lub utracone.
16. Jeśli urządzenie posiada funkcję odtwarzania USB, pamięć USB należy podłączyć bezpośrednio do urządzenia. Nie używaj przedłużacza USB, ponieważ może to powodować zakłócenia powodujące awarię danych.
17. Tabliczka znamionowa została umieszczona na dolnym lub tylnym panelu urządzenia.
18. To urządzenie nie jest przeznaczone do użytku przez osoby (w tym dzieci) z niepełnosprawnością fizyczną, sensoryczną lub umysłową lub brakiem doświadczenia i wiedzy, chyba że znajdują się one pod nadzorem lub otrzymały instrukcje dotyczące prawidłowego korzystania z urządzenia przez osobę odpowiedzialną za ich bezpieczeństwo.

19. Ten produkt jest przeznaczony wyłącznie do użytku nieprofesjonalnego, a nie do użytku komercyjnego lub przemysłowego.
20. Upewnij się, że urządzenie jest ustawione w stabilnej pozycji. Uszkodzenia spowodowane używaniem tego produktu w niestabilnej pozycji, wibracje lub wstrząsy lub nieprzestrzeganie innych ostrzeżeń lub środków ostrożności zawartych w tej instrukcji obsługi nie będą objęte gwarancją.
21. Nigdy nie zdejmuj obudowy tego urządzenia.
22. Nigdy nie umieszczaj tego urządzenia na innym sprzęcie elektrycznym.
23. Nie pozwalaj dzieciom na dostęp do plastikowych toreb.
24. Używaj wyłącznie załączników/akcesoriów określonych przez producenta.
25. Wszelkie czynności serwisowe należy powierzyć wykwalifikowanemu personelowi serwisowemu. Serwis jest wymagany, gdy urządzenie zostało w jakikolwiek sposób uszkodzone, np. przewód zasilający lub wtyczka, gdy do wnętrza urządzenia dostał się płyn lub wpadły przedmioty, gdy urządzenie zostało wystawione na deszcz lub wilgoć, nie działa normalnie lub został upuszczony.
26. Długa ekspozycja na głośne dźwięki z osobistych odtwarzaczy muzycznych może prowadzić do tymczasowej lub trwałej utraty słuchu.
27. Jeśli produkt jest dostarczany z kablem zasilającym lub zasilaczem AC:
 - Jeśli wystąpią jakiegokolwiek problemy, odłącz przewód zasilający i zleć serwis wykwalifikowanemu personelowi.
 - Nie deptać ani nie ścisnąć zasilacza. Zachowaj szczególną ostrożność, szczególnie w pobliżu wtyczek i punktu wyjścia kabla. Nie umieszczaj na zasilaczu ciężkich przedmiotów, które mogą go uszkodzić. Trzymaj całe urządzenie poza zasięgiem dzieci! Bawiąc się kablem zasilającym, mogą się poważnie zranić.
 - Odłącz to urządzenie podczas burzy lub gdy nie jest używane przez dłuższy czas.
 - Gniazdko musi znajdować się w pobliżu urządzenia i być łatwo dostępne.
 - Nie przeciążaj gniazdek ani przedłużaczy. Przeciążenie może spowodować pożar lub porażenie prądem.
 - Urządzenia o konstrukcji klasy 1 należy podłączać do gniazdka sieciowego z uziemieniem ochronnym.
 - Urządzenia o konstrukcji 2 klasy nie wymagają uziemienia.
 - Zawsze trzymaj za wtyczkę podczas wyciągania jej z gniazdka. Nie ciągnij za przewód zasilający. Może to spowodować zwarcie.
 - Nie używaj uszkodzonego przewodu zasilającego, wtyczki ani luźnego gniazdka. Może to spowodować pożar lub porażenie prądem.
28. Jeśli produkt zawiera lub jest dostarczany z pilotem zawierającym baterie pastylkowe/ogniwowe:

Ostrzeżenie:

- „Nie dotykaj baterii, niebezpieczeństwo poparzenia chemikaliami” lub podobnej pracy.
 - [Pilot dostarczony z] Ten produkt zawiera baterię pastylkową/guzikową. Połknięcie baterii może spowodować poważne oparzenia wewnętrzne w ciągu zaledwie 2 godzin i doprowadzić do śmierci.
 - Trzymaj nowe i zużyte baterie z dala od dzieci.
 - Jeśli komora baterii nie zamyka się prawidłowo, zaprzestań używania produktu i trzymaj go z dala od dzieci.
 - Jeśli uważasz, że baterie mogły zostać połknięte lub umieszczone w jakiegokolwiek części ciała, natychmiast zasięgnij porady lekarza.
29. Ostrzeżenie dotyczące korzystania z baterii:
 - Niebezpieczeństwo wybuchu w przypadku nieprawidłowej wymiany baterii. Zamień tylko na ten sam lub równoważny typ.
 - Akumulator nie może być narażony na działanie wysokich lub niskich ekstremalnych temperatur, niskiego ciśnienia powietrza na dużej wysokości podczas użytkowania, przechowywania lub transportu.
 - Wymiana baterii na baterię niewłaściwego typu, która może spowodować wybuch lub wyciek łatwopalnej cieczy lub gazu.
 - Wrzucenie baterii do ognia lub gorącego piekarnika, mechaniczne zgniecenie lub przecięcie baterii, co może spowodować wybuch.

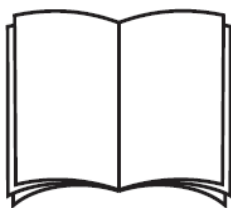
- Pozostawienie baterii w otoczeniu o bardzo wysokiej temperaturze, może spowodować wybuch lub wyciek łatwopalnej cieczy lub gazu.
- Bateria poddana bardzo niskiemu ciśnieniu powietrza, które może spowodować wybuch lub wyciek łatwopalnej cieczy lub gazu.
- Należy zwrócić uwagę na środowiskowe aspekty utylizacji baterii.

INSTALACJA

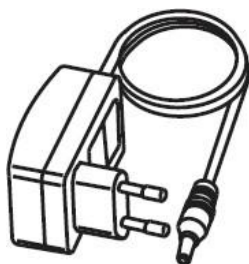
- Rozpakuj wszystkie części i usuń materiał ochronny.
- Nie podłączaj urządzenia do sieci przed sprawdzeniem napięcia sieciowego i przed wykonaniem wszystkich innych połączeń.

Aksesoria w zestawie:

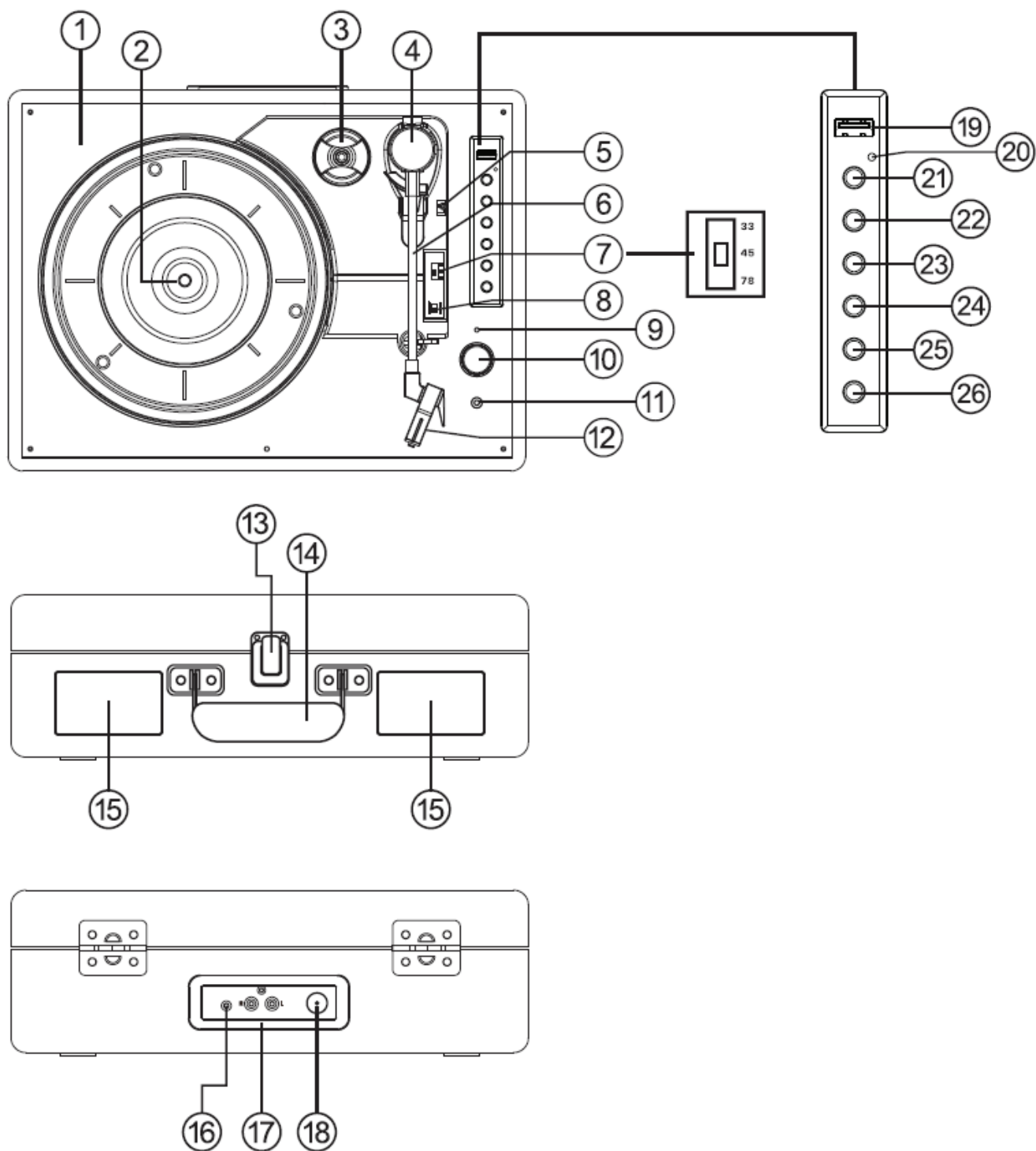
Instrukcja obsługi



Zasilacz



Opis elementów



1. Górna płyta gramofonu
2. Trzpień gramofonu
3. Adapter otworu środkowego
4. Ramię gramofonu
5. Dźwignia cue

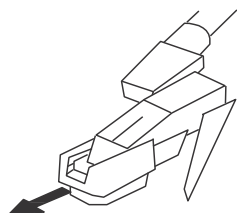
6. Zacisk ramienia gramofonu
7. Przełącznik prędkości obrotowej stołu
8. Przełącznik kontroli automatycznego zatrzymania
9. Wskaźnik stanu LED
10. Wyłącznik zasilania/regulacja głośności
11. Gniazdo słuchawkowe
12. Igła
13. Zatrask blokady
14. Uchwyt do przenoszenia
15. Głośnik
16. Wejście Aux
17. Kanał wyjścia liniowego R/L
18. Gniazdo DC in
19. Gniazdo USB
20. Dioda LED funkcji
21. Nagrywanie
22. Poprzedni utwór
23. Następny utwór
24. Odtwórz/pauza
25. Przycisk Mode
26. Parowanie

Tryb

1. Krótko naciśnij przycisk „Mode”, aby wybrać tryb odtwarzania.
2. Niebieska dioda LED będzie migać podczas parowania Bluetooth.
3. Po podłączeniu Bluetooth zaświeci się niebieska dioda LED
4. Czerwona dioda LED zaświeci się, gdy wybrany jest tryb gramofonu/tryb Aux in.
5. Zielona dioda LED zaświeci się, gdy wybrany jest w trybie USB.

Korzystanie z gramofonu

1. Umieść gramofon na płaskiej, równej powierzchni.
2. Podłącz przewód zasilacza do gniazda prądu stałego z tyłu obudowy i podłącz zasilacz do gniazdko sieciowego.
3. Przy pierwszym użyciu upewnij się, że opaska zaciskowa została zdjęta z ramienia odtwarzacza.
4. Zdejmij osłonę igły i schowaj w bezpiecznym miejscu do wykorzystania w przyszłości



5. Przesuń przełącznik prędkości na prędkość (33,45 lub 78 obr./min) odpowiadającą odtwarzanej płycie.
6. Obróć pokrętło głośności, aby włączyć gramofon, a wskaźnik trybu zaświeci się na czerwono.
7. Umieść płytę na trzpieniu gramofonu i odepnij ramię gramofonu.
8. Użyj dźwigni cuing, aby podnieść ramię gramofonu i przesunąć ramię tak, aby igła znalazła się wewnątrz krawędzi płyty lub ustaw nad początkiem wybranej ścieżki.
9. Powoli opuść ramię i po krótkiej przerwie rozpocznie się odtwarzanie.
10. Ustaw głośność na żądanym poziomie, obracając pokrętło regulacji głośności.
11. Po osiągnięciu końca płyty gramofon się zatrzyma.
12. Ponownie użyj dźwigni, aby podnieść ramię gramofonu (podest zacznie się ponownie obracać), przesunąć je z powrotem do zatrasku i opuścić do podstawki. Płyta przestanie się obracać.
13. Zamocuj ramię za pomocą zacisku i załóż osłonę igły po użyciu i zawsze przed przesunięciem urządzenia.
14. Podnieś ramię gramofonu na płycie i obróć pokrętło głośności do końca w kierunku przeciwnym do ruchu wskazówek zegara, aby w dowolnym momencie wyłączyć gramofon.

Korzystanie z zewnętrznego urządzenia

16. Możliwe jest podłączenie zewnętrznego urządzenia źródłowego i odtwarzanie nagrań za pośrednictwem tego gramofonu.
17. Podłącz zewnętrzne urządzenie źródłowe za pomocą kabla jack 3,5 mm (kabel nie jest dołączony) do wejścia Aux in.
18. Z poziomu zewnętrznego urządzenia źródłowego rozpocznij odtwarzanie i korzystaj z elementów sterujących odtwarzaniem.
19. Głośność można regulować za pomocą pokrętła głośności na gramofonie lub elementów sterujących na podłączonym urządzeniu zewn.
20. W celu wyłączenia urządzenia w dowolnym momencie, obróć pokrętło głośności całkowicie w kierunku przeciwnym do ruchu wskazówek zegara.

Słuchawki (nie dostarczane w zestawie)

Urządzenie wyposażono w stereofoniczne gniazdo słuchawkowe, dzięki czemu można podłączyć do niego słuchawki. Podłącz słuchawki w miejscu oznaczonym słuchawkami w pobliżu pokrętła głośności i dostosuj głośność odsłuchu do wybranego poziomu. Nadmierne ciśnienie dźwięku w słuchawkach i słuchawkach może spowodować utratę słuchu. Głośniki gramofonu nie będą działać, gdy założone są słuchawki.

Podłączanie zewnętrznych głośników

Podłączając gramofon do głośników zewnętrznych (przez odpowiedni wzmacniacz), użyj podwójnego przewodu phono do podwójnego przewodu phono (brak w zestawie), aby podłączyć gniazda wyjściowe RCA do wejścia audio wzmacniacza. Upewnij się, że czerwone wtyczki są podłączone do czerwonych gniazd, a białe do białych.

Bluetooth

Przełącz gramofon w tryb Bluetooth - naciśnij krótko przycisk Mode, aż wybierzesz tryb Bluetooth (zaświeci się niebieska dioda LED). Rozpocznie się wyszukiwanie urządzeń Bluetooth (niebieska dioda LED miga podczas parowania).

W trybie Bluetooth:

25. Twoje urządzenie wyszuka Bluetooth.

26. W urządzeniu zewnętrznym (np. iPhone/iPad/Android/inny telefon/tablet/komputer) włącz łączność Bluetooth i upewnij się, że jest „wykrywalne”.

Uwaga: W razie potrzeby zapoznaj się z instrukcjami urządzenia, aby dodać lub skonfigurować Bluetooth.

27. W razie potrzeby wybierz opcję „Dodaj nowe urządzenie”.

Uwaga: niektóre produkty automatycznie wyszukują nowe urządzenie, dlatego opcja „Dodaj nowe urządzenie” jest niedostępna.

28. Po znalezieniu urządzenia wyświetlone ono zostanie jako „Lenco TT-115”. Wybierz to urządzenie i rozpocznij parowanie.

29. Po zakończeniu parowania wyświetlony zostanie komunikat „Bluetooth Connected”.

30. Teraz, po sparowaniu urządzenia z gramofonem, połączy się ono z nim, gdy znajdzie się w zasięgu, czyli około 10 metrów lub mniej (33 stopy lub mniej), w linii wzroku.

31. Twoje urządzenie pozostanie sparowane z gramofonem, chyba że zdecydujesz się je rozłączyć lub „rozparować”.

32. Możesz krótko nacisnąć „Paruj”, aby ponownie się połączyć.

Odtwarzanie

10. Naciśnij „Previous”, aby przejść do poprzedniego utworu urządzenia Bluetooth.

11. Naciśnij „Next”, aby przejść do następnej ścieżki urządzenia Bluetooth.

12. Naciśnij „Play/pause”, aby odtworzyć lub wstrzymać urządzenie Bluetooth.

„Ten produkt oferuje funkcję odbioru bluetooth; nie można za jego pomocą przesyłać żadnego dźwięku bluetooth: oznacza to, że możesz odbierać bezprzewodowo sygnał dźwiękowy bluetooth z zewnętrznego źródła, takiego jak smartfon.”

Odtwarzanie z USB

7. Podłącz nośnik pamięci flash USB lub odtwarzacz MP3 do portu USB.

8. Odtwarzanie rozpocznie się automatycznie.

Nagrywanie na USB

Można nagrać materiał z płyty winylowej, Bluetooth i z urządzenia podłączonego do wejścia Aux w formacie MP3 na nośnik pamięci USB.

1. Podłącz nośnik pamięci flash USB do portu USB.
2. Naciśnij przycisk „Mode”, aby wybrać Bluetooth, gramofon lub Aux, z którego chcesz wykonać nagranie na USB.
3. Naciśnij „REC”, dioda LED zacznie migać. Rozpoczyna się nagrywanie.
4. Ponownie naciśnij „REC” aby zatrzymać nagrywanie.

Wymiana igły

7. Zapoznaj się z poniższymi instrukcjami, aby wymienić igłę.
8. Wymywanie igły z wkładki
9. Umieść śrubokręt na końcu igły i popchnij w dół, jak pokazano na rysunku „A” poniżej.
10. Wyjmij igłę, pociągając do przodu i naciskając w dół.
11. Zainstaluj nową igłę
12. Przytrzymaj końcówkę igły i włoż, naciskając, jak pokazano na rysunku „B”.
13. Popchnij igłę w górę, jak pokazano na rysunku „C”, aż zablokuje się w pozycji końcowej.



Piny naprowadzające(w środku)

UWAGA

Zalecamy czyszczenie płyt ściereczką antystatyczną, aby czerpać z nich maksymalną przyjemność. Igła powinna być okresowo wymieniana (mniej więcej co 250 godzin odtwarzania).

WSKAZÓWKI

1. Podczas otwierania lub zamykania pokrywy gramofonu należy obchodzić się z nią delikatnie, chwytając za środek lub z każdej strony.
2. Nie dotykaj końcówki igły palcami; unikaj uderzania igłą o talerz gramofonu lub krawędź płyty.
3. Często czyść końcówkę igły — używaj miękkiej szczoteczki wyłącznie ruchem „od tyłu do przodu”.
4. Jeśli musisz użyć płynu do czyszczenia igieł, używaj go bardzo oszczędnie.
5. Delikatnie wytrzyj obudowę gramofonu miękką szmatką. Do czyszczenia gramofonu używaj tylko niewielkiej ilości łagodnego detergentu.
6. Nigdy nie stosuj żrących chemikaliów ani rozpuszczalników do czyszczenia żadnej części gramofonu.

| | |
|---------------------------|--------|
| Napięcie wyjścia | 5V |
| Napięcie wyjścia | 1A |
| Moc wyjścia | 5W |
| Średnia sprawność czynna | 73.62 |
| Pobór mocy bez obciążenia | ≤ 0.10 |

Gwarancja

Commaxx B.V. oferuje serwis i gwarancję zgodnie z prawem europejskim, co oznacza, że w przypadku napraw (zarówno w okresie gwarancyjnym, jak i po nim) należy skontaktować się z lokalnym dealerem. Ważna uwaga: Nie ma możliwości wysyłania produktów wymagających naprawy bezpośrednio do Commaxx B.V.

Ważna uwaga: Jeśli to urządzenie zostanie w jakikolwiek sposób otwarte lub udostępnione przez nieoficjalne centrum serwisowe, gwarancja wygasa. To urządzenie nie nadaje się do użytku profesjonalnego. W przypadku użytkowania profesjonalnego wygasają wszystkie zobowiązania gwarancyjne producenta.

Zastrzeżenie

Aktualizacje oprogramowania sprzętowego i/lub komponentów sprzętowych są dokonywane regularnie. Dlatego niektóre instrukcje, specyfikacje i rysunki w tej dokumentacji mogą nieznacznie różnić się od konkretnej sytuacji. Wszystkie elementy opisane w tym przewodniku służą wyłącznie celom ilustracyjnym i mogą nie dotyczyć konkretnej sytuacji. Z opisu zawartego w niniejszej instrukcji nie można uzyskać żadnych praw ani uprawnień.

Utylizacja starego urządzenia

DEKLARACJA ZGODNOŚCI

Commaxx niniejszym oświadcza, że typ urządzenia radiowego [Lenco TT-115] jest zgodny z dyrektywą 2014/53/UE. Pełny tekst deklaracji zgodności UE jest dostępny pod następującym adresem internetowym:

https://commaxx-certificates.com/doc/tt-115_doc.pdf

| Typ RF | Zakres częstotliwości (MHz) | Moc (dBm) |
|-----------|-----------------------------|-----------|
| Bluetooth | 2402-2480 | <6 |



OSTRZEŻENIE: aby zapobiec możliwemu uszkodzeniu słuchu, nie słuchaj przy wysokim poziomie głośności przez długi czas.

FORSIGTIG:

Hvis enheden ikke anvendes, justeres og behandles i overensstemmelse med brugervejledningen, kan det resultere i farlig stråling.

FORHOLDSREGLER FØR IBRUGTAGNING

HUSK DISSE ANVISNINGER:

1. Tildæk eller blokér ikke ventilationsåbningerne. Hvis enheden placeres på en hylde, skal der altid være 5 cm (2") frirum på alle sider af enheden.
2. Installér enheden iht. anvisningerne i den medfølgende brugervejledning.
3. Hold enheden på afstand af varmekilder som fx radiatorer, varmeapparater, ovne, stearinlys og andre varmegenerende produkter samt åben ild. Enheden er udelukkende til brug i tempererede klimazoner. Undgå stærk varme og kulde. Driftstemperatur mellem 0° og 35 °C.
4. Undlad at anvende enheden nær stærke magnetfelter.
5. Elektrostatisk udladning kan forstyrre denne enheds normale drift. Sker det, skal du blot nulstille og genstarte enheden iht. anvisningerne i betjeningsvejledningen. Under filoverførsel skal du handle med omhu og betjene enheden i et område fri for statisk elektricitet.
6. Advarsel! Stik aldrig genstande ind i enheden gennem ventilationsåbninger eller sprækker. Produktet indeholder strømførende dele, og hvis du stikker en genstand ind i enheden, kan det medføre elektrisk stød og/eller kortslutning af de indre dele. Af samme grund må du ikke spilde vand eller væske på produktet.
7. Benyt ikke enheden på våde eller fugtige steder som fx på et badeværelse, i et dampfyldt køkken eller nær en swimmingpool.
8. Enheden må ikke udsættes for dryp eller stænk. Der må ikke anbringes genstande fyldt med væske, som fx vaser, på eller i nærheden af apparatet.
9. Brug ikke enheden på steder, hvor der kan opstå kondens. Hvis enheden placeres i et varmt og fugtigt rum, kan der danne sig vanddråber eller kondens inde i den, og den kan muligvis ikke fungere korrekt. Lad enheden stå slukket i 1-2 timer, inden du tænder den. Enheden skal være tør, når der tændes for strømmen.
10. Trods det, at enheden er fremstillet med yderste omhu og kontrolleret flere gange før afsendelse fra fabrikken, kan det stadig forekomme, som med alle elektriske apparater, at der opstår problemer. Hvis du oplever røg eller overdreven varmeudvikling eller andre uventede fænomener, bør du omgående tage stikket ud af stikkontakten.
11. Denne enhed skal drives af en strømkilde som den, der er angivet på mærkepladen. Hvis du ikke er sikker på, hvilken forsyningsspænding, der anvendes i dit hjem, bør du søge vejledning hos din forhandler eller det lokale elselskab.
12. Hold enheden udenfor dyrs rækkevidde. Nogle kæledyr kan finde på at bide i strømførende ledninger.
13. Rengør enheden med en blød, tør klud. Brug ikke opløsningsmidler eller benzinbaserede væsker. Hårnakkede pletter kan fjernes med en let fugtet klud med en mild sæbeopløsning.
14. Producenten er ikke ansvarlig for skade eller mistede data, der skyldes fejlfunktion, misbrug, ændringer af enheden eller udskiftning af batterier.
15. Undlad at afbryde forbindelsen, mens enheden formateres, eller der overføres filer. I modsat fald kan data blive beskadiget eller gå tabt.
16. Hvis enheden er udstyret med funktion til USB-afspilning, skal USB-sticken sættes direkte i apparatet. Brug ikke et USB-forlænger-kabel, da et sådant kan skabe interferens og føre til tab af data.
17. Mærkepladen findes i bunden eller på bagsiden af enheden.
18. Denne enhed må ikke bruges af personer (inkl. børn) med nedsatte fysiske motoriske eller mentale evner eller manglende erfaring, medmindre de er blevet instrueret i brugen af en person, der er ansvarlig for deres sikkerhed, og er under dennes opsyn.
19. Dette produkt er ikke beregnet til professionel eller industriel brug, det er udelukkende beregnet til privat brug.
20. Sørg for, at enheden er placeret stabilt. Skade, der skyldes anvendelse af produktet i en ustabil position, vibrationer, stød eller manglende overholdelse af de retningslinjer og andre advarsler, der er udstukket i denne brugervejledning, dækkes ikke af garantien.
21. Åbn aldrig enhedens kabinet.
22. Placér aldrig denne enhed ovenpå andet elektrisk udstyr.

23. Lad ikke børn få adgang til plastposer.
24. Brug kun tilslutninger/tilbehør, der er angivet af producenten.
25. Overlad alt servicearbejde til et kvalificeret serviceværksted. Service er påkrævet, hvis enheden på nogen måde er blevet beskadiget; hvis fx netledningen eller stikket er beskadiget, hvis der er spildt væske på enheden, eller hvis en genstand er faldet ned i den, hvis enheden har været udsat for regn eller fugt, ikke fungerer korrekt eller er blevet tabt.
26. Langvarig lytning for musik ved høj lydstyrke kan medføre midlertidigt eller permanent høretab.
27. Hvis produktet leveres med strømkabel eller strømforsyning til vekselstrøm:
 - Hvis der opstår problemer, skal du tage stikket ud af kontakten og overlade al service til kvalificeret tekniker.
 - Undlad at træde på eller klemme strømforsyningen. Vær forsigtig, især nær de steder, hvor stik og kabler er fastgjort. Undlad at placere tunge genstande på strømforsyningen, da dette vil kunne beskadige den. Hold hele enheden udenfor børns rækkevidde! Hvis børn leger med strømkabler, kan de komme slemt til skade.
 - Tag stikket ud af stikkontakten i tordenvejr, samt hvis du ikke skal bruge enheden i længere tid.
 - Enheden skal placeres nær stikkontakten, og der skal altid være let adgang til den stikkontakt, enheden er tilsluttet.
 - Undlad at overbelaste stikkontakter eller forlængerledninger. Overbelastning kan medføre brand eller elektrisk stød.
 - Enheder med klasse 1-opbygning bør forbindes til en stikkontakt med jord.
 - Enheder med klasse 2-opbygning kræver ikke jordforbindelse.
 - Hold altid i stikket, når du tager det ud af stikkontakten. Træk ikke i netledningen. Dette kan medføre kortslutning.
 - Brug ikke en beskadiget ledning eller stik eller en løs stikkontakt. Gør du det, kan det medføre brand eller elektrisk stød.
28. Hvis produktet indeholder eller leveres med en fjernbetjening indeholdende knapcellebatterier:

Advarsel:

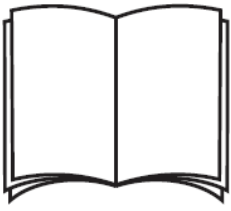
 - "Slug ikke batteriet, der er risiko for kemisk forbrænding" eller tilsvarende.
 - Fjernbetjeningen leveret med dette produkt indeholder et knapcellebatteri. Hvis batteriet sluges, kan det medføre alvorlige indre forbrændinger på blot 2 timer, hvilket kan medføre dødsfald.
 - Hold nye og brugte batterier udenfor børns rækkevidde.
 - Hvis batterirummet ikke kan lukkes sikkert, skal du holde op med at bruge produktet og holde det udenfor børns rækkevidde.
 - Hvis du tror, et batteri kan være blevet slugt eller placeret inden i nogen del af kroppen, skal du omgående søge lægehjælp.
29. Advarsler omkring brug af batterier:
 - Eksplosionsfare, hvis batteriet udskiftes med et andet af forkert type. Udskift udelukkende med samme eller tilsvarende type.
 - Batteriet må ikke udsættes for ekstremt høje eller lave temperaturer eller lavt lufttryk ved stor højde under brug, opbevaring eller transport.
 - Udskiftning af et batteri med et andet af forkert type kan medføre eksplosion eller lækage af brændbar væske eller gas.
 - Bortskaffelse af batterier ved afbrænding eller i en varm ovn eller ved mekanisk knusning eller opskæring af et batteri kan medføre en eksplosion.
 - Hvis et batteri efterlades i omgivelser med ekstremt høje temperaturer, kan det medføre eksplosion eller lækage af brændbar væske eller gas.
 - Hvis et batteri udsættes for ekstremt lavt lufttryk, kan det medføre eksplosion eller lækage af brændbar væske eller gas.
 - Tænk på miljøet ved bortskaffelse af brugte batterier.

INSTALLATION

- Udpak alle dele, og fjern beskyttelsesmaterialerne.
- Slut ikke enheden til lysnettet, før du har kontrolleret forsyningsspændingen og foretaget alle nødvendige tilslutninger.

Tilbehøret omfatter:

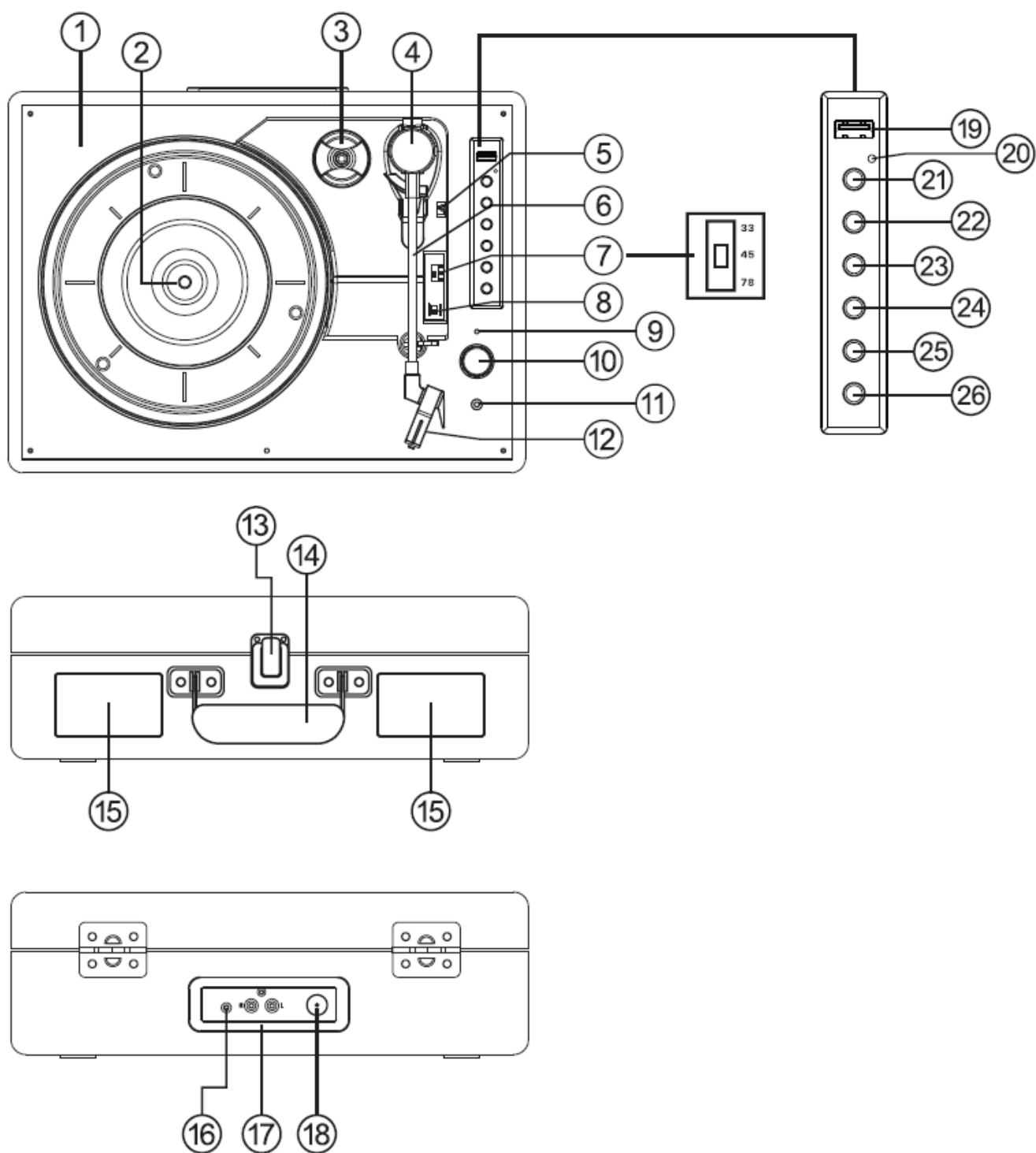
Brugervejledning



Strømforsyning



Knapper og kontroller



1. Pladetallerken
2. Spindel
3. Singleadapter
4. Tonearm
5. Løftekontakt til tonearm

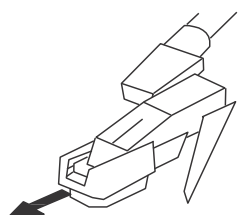
6. Tonearmslås
7. Hastighedsvælger
8. Kontrolknap til automatisk stop
9. LED-kontrollampe for status
10. Tænd/slukkkontakt/Lydstyrke
11. Stik til hovedtelefoner
12. Nål
13. Snaplås
14. Bærehåndtag
15. Højtaler
16. Aux in-stik
17. Linjeudgang kanal R/L
18. DC-strømindtag
19. USB-port
20. LED-kontrollampe for funktion
21. Optagelse
22. Forrige skæring
23. Næste skæring
24. Afspil/pause
25. Tilstand
26. Parring

Tilstand

1. Tryk kort på knappen "Mode" for at vælge afspilningstilstand.
2. Den blå LED-kontrollampe blinker under Bluetooth-parring.
3. Den blå LED-kontrollampe lyser konstant, når Bluetooth er tilsluttet.
4. Den røde LED-kontrollampe lyser konstant, når pladespiller/Aux-tilstand er aktiv.
5. Den grønne LED-kontrollampe lyser konstant, når USB-tilstand er aktiv.

Sådan bruges pladespilleren

1. Placér pladespilleren på et plant, jævnt underlag.
2. Sæt stikket til strømforsyningen i DC-stikket på bagsiden af kabinettet, og slut strømforsyningen til en stikkontakt.
3. Ved første ibrugtagning skal du sikre dig, at kabelbinderen er fjernet fra tonearmen.
4. Fjern hættten fra nålen, og gem den på et sikkert sted til senere brug.



5. Flyt hastighedsvælgeren til den ønskede hastighed (33, 45 eller 78 o./min.) afhængigt af den plade, du vil afspille.
6. Drej volumenknappen for at tænde pladespilleren, hvorefter kontrollampen for tilstand lyser rødt.
7. Læg en plade på pladetallerkenen, og åbn tonearmslåsen.
8. Brug løfteren til at løfte tonearmen, og før armen ind, så nålen er placeret direkte over den yderste rille eller starten på den skæring, du vil afspille.
9. Sænk langsomt tonearmen, hvorefter afspilningen starter.
10. Justér lydstyrken til det ønskede niveau ved at dreje volumenknappen.
11. Når pladen er spillet færdig, stopper pladespilleren.
12. Brug løftekontakten til at løfte tonearmen igen (pladetallerkenen begynder at dreje igen), og før tonearmen tilbage til holderen. Pladetallerkenen stopper.
13. Lås tonearmen med låseklipsen, og sæt hættten på nålen igen efter brugen samt altid inden pladespilleren flyttes.
14. Hvis du vil slukke pladespilleren, kan du når som helst hæve tonearmen fra pladen og dreje volumenknappen helt i bund mod uret.

Bemærk

Nogle plader har et større midterhul, og det kan være nødvendigt at sætte singleadapteren på spindelen, inden du lægger pladen på. Sæt altid hættten på nålen, og lås tonearmen med klipsen, inden du flytter pladespilleren.

Brug med ekstern enhed

1. Eksternt analogt lydudstyr kan tilsluttes og forstærkes via pladespilleren.
2. Slut det eksterne udstyr til ved hjælp af et kabel med 3,5 mm jackstik tilsluttet stikket mærket AUX IN (kabel medfølger ikke).
3. Tryk på afspilningsknappen på det eksterne udstyr, og betjen knapperne på den eksterne enhed på sædvanlig vis.
4. Lydstyrken kan reguleres med lydstyrkeknappen på pladespilleren eller med knapperne på den eksterne enhed.
5. Du kan når som helst slukke enheden ved at dreje volumenknappen helt i bund mod uret.

Brug af hovedtelefoner (tilkøb)

Enheden er udstyret med et stereostik til hovedtelefoner, så du kan anvende pladespilleren uden at forstyrre andre. Slut hovedtelefonerne til hovedtelefonstikket nær lydstyrkeknappen, og justér lydstyrken til det ønskede niveau. Overdrevent lydtryk fra brug af hovedtelefoner kan medføre høretab. Pladespillerens højttaler er slået fra, når hovedtelefoner er tilsluttet.

Tilslutning af ekstern højttaler til pladespilleren

Du kan slutte pladespilleren til eksterne højttalere (via en passende forstærker). Brug et 2 x phono til 2 x phono-kabel (tilkøb), og slut RCA-udgangene på pladespilleren til lydindgangene på forstærkeren. Sørg for at slutte de røde stik til de røde indgange, og de hvide stik til de hvide indgange.

Anvendelse med Bluetooth-enhed

Tjek, at din pladespiller er i Bluetooth-tilstand. Hvis pladespilleren ikke allerede er i Bluetooth-tilstand, skal du trykke kort på knappen Mode, indtil Bluetooth-tilstand er aktiv (den blå LED-kontrollampe lyser). Pladespilleren begynder at søge efter Bluetooth-enheder (den blå LED-kontrollampe blinker under parringen).

I Bluetooth-tilstand:

1. Din enhed søger efter Bluetooth.
2. Slå Bluetooth til på den eksterne enhed (fx iPhone/iPad/Android/anden telefon/tablet-pc/computer), og sørg for, at enheden er 'søgbar'.

Bemærk: Se om nødvendigt vejledningen til din enhed for oplysninger om opsætning af Bluetooth.

3. Vælg om nødvendigt 'Add new device' (tilføj ny enhed).

Bemærk: Nogle enheder begynder automatisk at søge efter nye enheder. I så fald er 'Add new device' (tilføj ny enhed) ikke tilgængelig.

4. Når den er fundet, vises din enhed som "Lenco TT-115". Vælg enheden, hvorefter parringen starter.
5. Når parringen er gennemført, vises 'Bluetooth Connected' (Bluetooth tilsluttet).
6. Din enhed er nu parret med pladespilleren og vil oprette forbindelse til den, når den er indenfor rækkevidde (dvs. indenfor en afstand på 10 meter eller derunder) i ret linje.
7. Din enhed forbliver parret med pladespilleren, til du frakobler den eller vælger 'unpair' for at ophæve parringen.
8. Du kan trykke kort på "Pair" for at genoprette forbindelsen.

Afspilning via Bluetooth

1. Tryk på "Previous" for at få den forrige sang på din Bluetooth-enhed.
2. Tryk på "Next" for at gå til næste musikfil på din Bluetooth-enhed.
3. Tryk på "Play/pause" for at afspille fra din Bluetooth-enhed eller sætte afspilningen på pause.

“Dette produkt har en Bluetooth **modtagefunktion, men du kan ikke overføre lyd via Bluetooth fra den**: Det betyder, at du kan modtage trådløs lyd via Bluetooth fra en ekstern kilde som fx en smartphone.”

Afspilning via USB

1. Slut et USB-flashdrev eller en MP3-afspiller til USB-porten.
2. Afspilningen starter automatisk

USB-kodning

Du kan optage til et USB-flashdrev fra en vinylplade, Bluetooth- eller Aux-enhed i formatet MP3.

1. Slut et USB-flashdrev til USB-porten.
2. Tryk på knappen "Mode", og vælg den signalkilde, Bluetooth, pladespiller eller Aux, som du vil optage til USB fra.
3. Tryk på knappen "REC", hvorefter den røde LED-kontrollampe blinker. Optagelsen starter.
4. Tryk på knappen "REC" igen for at afbryde optagelsen.

SÅDAN UDSKIFTES NÅLEN

Hvis du har brug for at udskifte nålen, skal du følge vejledningen herunder.

Sådan tages nålen ud af pickuppen

1. Placér en skruetrækker ved spidsen af nålen, og tryk nedad som vist på fig. "A".
2. Tag nålen ud ved at trække den fremad og nedad.

Sådan isættes nålen

1. Hold i spidsen af nålen, og før den ind i pickuppen, som vist på fig. "B".
2. Skub nålen opad i retning "C", indtil nålen klikker på plads.



Styrestifter (indeni)

NOTER

Vi anbefaler, at du renser dine plader med en antistatisk klud for at opnå den bedst mulige lyd kvalitet fra dem.

Af samme grund anbefaler vi, at nålen udskiftes med jævne mellemrum (efter ca. hver 250 timers afspilning).

TIPS TIL BEDST MULIG YDEEVNE

1. Når du åbner eller lukker låget på pladespilleren, skal du håndtere det forsigtigt ved enten at tage fat midt for eller i begge sider.
2. Rør ikke nålespidsen med fingrene, og undgå, at nålen slår imod pladetallerkenen eller kanten af pladen.
3. Rengør nålen regelmæssigt med en blød børste. Børst altid kun fra bagsiden mod forsiden.
4. Hvis du bruger nålerens, skal du kun bruge små mængder.
5. Tør forsigtigt pladespillerens kabinet med en blød klud. Brug kun en lille mængde mildt rengøringsmiddel

til rengøring af pladespilleren.

6. Brug aldrig skrappe kemikalier eller opløsningsmidler på nogen del af pladespilleren.

SPECIFIKATIONER

| | |
|---------------------------|---|
| Type | Remdrevet |
| Drevmotor | DC-motor |
| Hastighed | 33 1/3 o./min., 45 o./min., 78 o./min. |
| Wow og flutter | < 0,35 % |
| Pladetallerken | 200 mm |
| | |
| Pickup | |
| Type | Keramisk pickup |
| Nål | 0,7 mm |
| Anbefalet nåletryk | 6 g |
| udgang | 300-500 mv |
| Frekvensområde | +/-20 dB |
| Krydstale | 10 db |
| Signal-/støjforhold (S/N) | 18 db |
| | |
| Generelt | |
| Strømforsyning | Indgangsspænding vekselstrøm 100-240 V, 50/60 Hz, 0,3 A maks. Udgangsspænding jævnstrøm 5 V 1 A |
| Produkt | Jævnstrøm 5 V 1 A |
| Lydudgang (linjeudgang) | 300-500 mv |
| Strømforbrug | 5 W |

Strømforsyning. Udgangsspænding jævnstrøm 5 V 1 A
Indgangsspænding vekselstrøm 100-240 V,
50/60 Hz, 0,3 A maks.

Bluetooth-parringsnavn: Lenco TT-115

Stik til hovedtelefoner: 3,5 mm

Driftstemperatur: 0 °C - 40 °C

Opbevaringstemperatur: -20 °C - 70 °C

Ret til uvarslet ændring i design og specifikationer forbeholdes grundet fortsat produktudvikling

Strømforsyning

Brug kun den strømforsyning, der er angivet i betjeningsvejledningen.

| Information | Værdi og præcision |
|---|--|
| Producentens navn eller varemærke, kommercielle registrering og adresse | DongGuan Obelieve Electronic Co., Ltd Huazhaoxin Industrial park B-4/F, Golden phoenix industrial zone, Fenggan town, Dongguan city, Guangdong province, Kina |
| Modelnr. | OBL-0501000E / OBL-0501000B |
| Indgangsspænding | 100-240 V |
| AC-indgangsfrekvens | 50/60 Hz |
| Udgangsspænding | 5 V |
| Udgangsstrøm | 1 A |
| Udgangseffekt | 5 W |
| Gns. aktiv effektivitet | 73,62 |
| Strømforbrug ved ingen belastning | ≤ 0,10 |

Garanti

Commaxx B.V. tilbyder service og garanti i overensstemmelse med europæisk lovgivning, hvilket betyder, at i tilfælde af reparation (både under og efter garantiperiodens udløb) bør du kontakte din lokale forhandler.

Vigtig meddelelse: Det er ikke muligt at sende produktet direkte til Commaxx B.V., hvis det kræver reparation.

Vigtig meddelelse: Hvis enheden åbnes eller på nogen måde tilgås af et ikke-godkendt servicecenter, bortfalder garantien.

Denne enhed er ikke egnet til professionel brug. I tilfælde af professionel brug bortfalder alle garantiforpligtelser fra producentens side.

Ansvarsfraskrivelse

Firmware og/eller hardwarekomponenter opdateres regelmæssigt. Derfor kan visse dele af vejledningen, specifikationerne og illustrationerne i vejledningen variere en smule fra dit faktiske produkt. Alle elementer, der beskrives i denne vejledning, er kun til illustration og gælder måske ikke i den givne situation. Ingen juridisk ret eller rettighed kan opnås fra beskrivelsen i denne vejledning.

Bortskaffelse af udtjente enheder



Dette symbol angiver, at det relevante elektriske produkt eller batteri indenfor Europa ikke må bortskaffes med almindeligt husholdningsaffald. For at sikre korrekt affaldsbehandling af produktet og batteriet skal du bortskaffe dem i overensstemmelse med gældende lokal lovgivning om bortskaffelse af elektrisk udstyr eller batterier. På den måde hjælper du med at bevare naturressourcer og forbedre miljøbeskyttelsen indenfor behandling og bortskaffelse af elektrisk affald (Direktiv om affald af elektrisk og elektronisk udstyr).

OVERENSSTEMMELSESERKLÆRING

Hermed erklærer Commaxx, at radioudstyrstypen [Lenco TT-115] er i overensstemmelse med EU-direktiv 2014/53/EU. EU-overensstemmelseserklæringens fulde tekst kan findes på følgende internetadresse: https://commaxx-certificates.com/doc/tt-115_doc.pdf

| Type RF | Frekvensområde (MHz) | Effekt (dBm) |
|-----------|----------------------|--------------|
| Bluetooth | 2402-2480 | < 6 |



ADVARSEL: Undgå risiko for høreskader ved aldrig at lytte ved høj lydstyrke i længere tid ad gangen.

Service

Se mere information og få kundeservice på support.lenco.com

Commaxx B.V., Wiebachstraat 37, NL-6466 NG Kerkrade, Holland.

VAR FÖRSIKTIG:

Att använda kontroller eller justeringar eller utföra andra förfaranden än de som anges häri kan leda till att du utsätts för farlig strålning.

FÖRSIKTIGHETSÅTGÄRDER INNAN ANVÄNDNING

HA DESSA INSTRUKTIONER I ÅTANKE:

1. Täck inte över eller blockera några ventilationsöppningar. När enheten placeras på en hylla bör det lämnas 5 cm ledigt utrymme runt hela enheten.
2. Montera i enlighet med den medföljande användarmanualen.
3. Håll enheten borta från värmekällor såsom radiatorer, värmare, spisar, ljus och andra värmegenererande produkter eller öppen eld. Enheten kan endast användas i måttliga klimat. Extremt kalla eller varma omgivningar bör undvikas. Drifttemperatur mellan 0 och 35 °C.
4. Undvik att använda enheten nära starka magnetfält.
5. Elektrostatisk urladdning kan störa den normala användningen av den här enheten. Återställ och starta om enheten enligt instruktionsboken om så är fallet. Hantera försiktigt och använd i en statiskt fri miljö vid filöverföring.
6. Varning! För aldrig in ett föremål i produkten genom ventilerna eller öppningarna. Högspänning flödar genom produkten och om du för in ett föremål kan det orsaka elektriska stötar och/eller kortslutning av interna komponenter. Spill inte vatten eller vätska på produkten av samma anledning.
7. Använd inte i våta eller fuktiga områden såsom badrum, ångfyllda kök eller i närheten av simbassänger.
8. Enheten får inte utsättas för dropp eller stänk och se till att inga föremål fyllda med vätskor såsom vaser placeras på eller i närheten av den.
9. Använd inte den här enheten när kondens kan uppstå. När enheten används i ett varmt och fuktigt rum kan vattendroppar eller kondens uppstå inuti enheten och enheten kanske inte fungerar som den ska. Låt enheten vara avstängd i en eller två timmar innan du slår på strömmen igen. Enheten ska vara torr innan strömmen slås på.
10. Även om denna enhet tillverkas med största omsorg och kontrolleras flera gånger innan den lämnar fabriken är det fortfarande möjligt att problem kan uppstå vilket gäller alla elektriska apparater. Om du märker rök, kraftig uppbyggnad av värme eller andra oväntade fenomen ska du omedelbart dra ur kontakten ur eluttaget.
11. Enheten måste drivas med en strömkälla såsom anges på de särskilda märkningskraven. Kontakta din återförsäljare eller lokala elbolag om du är osäker på vilken typ av strömförsörjning som används i ditt hem.
12. Håll på säkert avstånd från husdjur. Vissa djur kan bita på elkablar.
13. Använd en mjuk och torr trasa för att rengöra enheten. Använd inte lösningsmedel eller bensinbaserade vätskor. För att ta bort allvarliga fläckar kan du använda en fuktig trasa med utspätt rengöringsmedel.
14. Leverantören ansvarar inte för skador eller förlorade data orsakade av fel, missbruk, modifiering av enheten eller batteribyte.
15. Avbryt inte anslutningen när enheten formaterar eller överför filer. Data kan då bli skadade eller förloras.
16. Om enheten har en funktion med USB-uppspelning bör USB-minnet anslutas direkt till enheten. Använd inte en USB-förlängningskabel eftersom den kan orsaka störningar som kan leda till att data tappas bort.
17. Klassificeringsetiketten är placerad på enhetens undersida eller baksida.
18. Den här enheten är inte avsedd för att användas av personer (inklusive barn) med fysiska, sensoriska eller psykiska funktionshinder eller brist på erfarenhet och kunskap såvida de inte är under övervakning av eller har fått instruktioner om korrekt användning av enheten av den person som ansvarar för deras säkerhet.
19. Den här produkten är endast avsedd för icke-professionell användning och inte för kommersiellt eller industriellt bruk.
20. Se till att enheten är justerad till en stabil position. Skador orsakade av att använda den här produkten i ett instabilt läge med vibrationer eller stötar eller av att inte följa någon annan varning eller försiktighetsåtgärd i denna användarmanual täcks inte av garantin.
21. Ta aldrig bort enhetens hölje.

22. Placera aldrig enheten på annan elektrisk utrustning.
23. Låt inte barn ha tillgång till plastpåsar.
24. Använd endast tillbehör som anges av tillverkaren.
25. Överlåt all service till kvalificerad servicepersonal. Service krävs när enheten har skadats på något sätt, exempelvis på strömkabeln eller strömkontakten, när vätska har spillts eller föremål fallit in i den, när den har utsatts för regn eller fukt och inte fungerar normalt eller har tappats.
26. Lång exponering för höga ljud från musikspelare kan leda till tillfällig eller permanent hörselnedsättning.
27. Om produkten levereras med strömkabel eller nätadapter:
 - Dra ur strömkabeln och kontakta behörig personal för service om ett problem uppstår.
 - Trampa inte på nätadaptern och kläm den inte. Var mycket försiktig och då särskilt nära kontakter och kabelns uttag. Placera inte tunga föremål på nätadaptern då detta kan skada den. Håll hela enheten utom räckhåll för barn! När de leker med strömkabeln kan de skada sig själva.
 - Koppla ur denna enhet under åskväder eller när den inte används under en längre period.
 - Eluttaget måste finnas nära utrustningen och måste vara lättillgängligt.
 - Överbelasta inte eluttaget eller förlängningssladdar. Överbelastning kan orsaka brand eller elektriska stötar.
 - Enheter med klass 1-konstruktion bör anslutas till ett vägguttag med skyddsjord.
 - Enheter med klass 2-konstruktion kräver ingen jordad anslutning.
 - Håll alltid i kontakten när du drar ut den ur vägguttaget. Dra inte i strömkabeln. Detta kan orsaka en kortslutning.
 - Använd inte en skadad strömkabel, strömkontakt eller ett löst vägguttag. Om du gör detta kan det orsaka brand eller elektriska stötar.
28. Om produkten innehåller eller levereras med en fjärrkontroll som innehåller mynt/cellbatterier:

Varning:

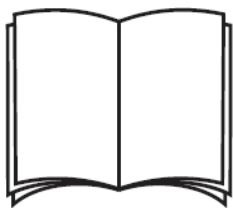
 - ”Svälj inte batterier då kemiska brännskador” eller motsvarande kan uppstå.
 - [Den medföljande fjärrkontrollen] Denna produkt innehåller ett knappcellsbatteri. Om batteriet sväljs kan det orsaka allvarliga inre brännskador på bara två timmar och vara livshotande.
 - Håll nya och använda batterier borta från barn.
 - Om batterifacket inte går att stänga ordentligt bör du sluta använda produkten och hålla den borta från barn.
 - Om du tror att batterier har svalts eller finns någonstans i kroppen ska du omedelbart söka läkarvård.
29. Varning om användning av batterier:
 - Explosionsrisk om batteriet byts ut felaktigt. Byt endast ut mot samma eller motsvarande typ.
 - Batteriet får inte vid användning, förvaring eller transport utsättas för extremt höga eller låga temperaturer samt lågt lufttryck vid hög höjd.
 - Att byta ut ett batteri mot en felaktig typ kan leda till en explosion eller läckage av brandfarlig vätska eller gas.
 - Kassering av ett batteri i eld, en varm ugn, mekaniskt krossning eller skärning av det kan resultera i en explosion.
 - Att lämna ett batteri i en omgivning med extremt hög temperatur kan resultera i en explosion eller läckage av brandfarlig vätska eller gas.
 - Ett batteri som utsätts för extremt lågt lufttryck kan leda till en explosion eller läckage av brandfarlig vätska eller gas.
 - Miljöaspekterna bör uppmärksammas när det gäller kassering av batterier.

MONTERING

- Packa upp alla delar och ta bort skyddsmaterialet.
- Anslut inte enheten till elnätet innan du kontrollerar nätspänningen och att alla andra anslutningar har gjorts.

Tillbehör som medföljer:

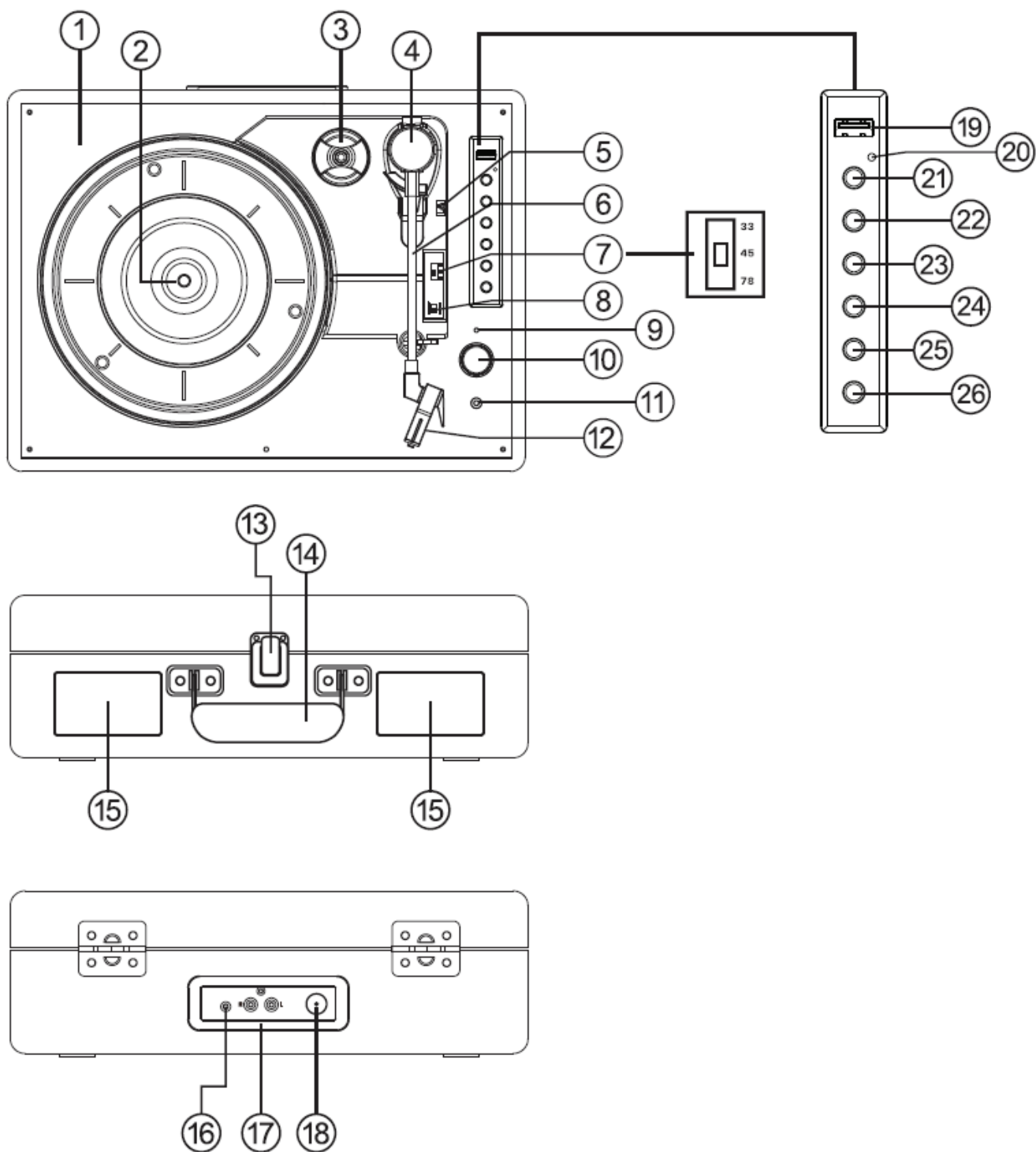
Bruksanvisning



Strömadapter



Kontrollernas placering



1. Skivspelarens tallrik
2. Spindel
3. Adapter för centerhål
4. Tonarm
5. Anläggningsspak

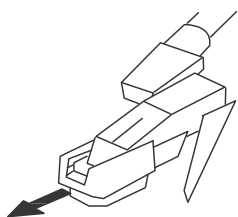
6. Tonarmsvagg
7. Skivspelaren varvtalsväljare
8. Omkopplare för automatiskt stopp
9. LED-statusindikator
10. Strömbrytare/volymkontroll
11. Uttag för hörlurar
12. Nål
13. Låsspärr
14. Bärhandtag
15. Högtalare
16. Aux in-uttag
17. Line out-kanal H/V
18. DC in-uttag
19. USB-plats
20. LED-indikator för funktioner
21. Inspelning
22. Föregående spår
23. Nästa spår
24. Spela upp/Paus
25. Mode
26. Parkoppla

Mode

1. Tryck kort på "Mode" (Läge) för att välja uppspelningsläget.
2. Den blåa LED-indikatorn blinkar när Bluetooth parkopplas.
3. Den blåa LED-indikatorn lyser fast när Bluetooth är ansluten
4. Den röda LED-indikatorn lyser fast när enheten är i läget Skivspelare/Aux in.
5. Den gröna LED-indikatorn lyser fast när enheten är i läget USB.

Använda skivspelaren

1. Placera skivspelarens fodral på en platt och plan yta.
2. Anslut nätadaptersn sladd till DC-uttaget på baksidan av fodralet och anslut nätadaptern till ett eluttag.
3. Se till att buntbandet tas bort från tonarmen vid första användning.
4. Ta bort nålskyddet och förvara det på en säker plats för framtida användning



5. Flytta varvtalsväljaren till varvtalet (33, 45 eller 78 rpm) som motsvarar skivan som ska spelas upp
6. Vrid på volymreglaget för att slå på skivspelaren. Lägesindikatorn lyser rött
7. Placera en skiva på skivspelarens spindel och frigör tonarmen
8. Använd anläggningsspaken för att lyfta tonarmen och flytta den till nålen är placerad precis innanför kanten på skivan, eller i linje med början av spåret som ska spelas upp.
9. Sänk armen långsamt. Efter en kort stund börjar skivan spelas upp
10. Vrid på volymreglaget för att justera volymen till önskad nivå
11. Skivspelaren stannar när slutet av skivan har nåtts
12. Använd spaken igen för att lyfta tonarmen (tallriken börjar rotera igen). Flytta tillbaka den till vaggan och sänk ned armen. Tallriken stannar
13. Fäst tonarmen med klämman och sätt tillbaka nålskyddet efter användning och alltid innan skivspelaren flyttas
14. Lyft tonarmen från skivan och vrid volymreglaget helt moturs för att, när som helst, stänga av skivspelaren.

Obs

Vissa skivor har större mitthål och kan behöva en centerhåladapter på skivspelarens axel innan skivan används. Sätt alltid tillbaka pickupskalet och säkra tonarmen med klämman innan skivspelaren flyttas.

Använda med en extern enhet

1. Extern analog ljudutrustning kan anslutas och förstärkas via skivspelaren.
2. Anslut den externa utrustningen med en 3,5 mm kabel (kabel ingår ej) till Aux in-uttaget.
3. Tryck på uppspelningsknappen på den externa enheten och använd även kontrollerna på den som vanligt.
4. Volymen kan justeras med volymreglaget på skivspelaren eller kontrollerna på den anslutna externa enheten.
5. Vrid volymreglaget helt moturs för att när som helst stänga av enheten.

Använda hörlurar (ingår ej)

Ett uttag för stereohörlurar finns vilket låter skivspelaren användas utan att störa andra. Anslut hörlurarna vid det markerade uttaget nära volymreglaget och justera lyssningsvolymen till vald nivå. För högt ljudtryck från hörlurar kan orsaka hörselnedsättning. Skivspelarens högtalare fungerar inte medan hörlurar är anslutna.

Ansluta skivspelaren till externa högtalare

När skivspelaren ansluts till externa högtalare (via en lämplig förstärkare) ska en dubbel phono till phono-kabel (ingår ej) användas för att ansluta RCA-utgångarna till ljudingången på förstärkaren. Garantera att röda kontakter ansluts till de röda uttagen och vita till vita.

Använda med en Bluetooth-enhet

Kontrollera att skivspelaren är i läget Bluetooth. Tryck kort på knappen Mode (Läge) till läget Bluetooth är aktiverat (den blåa LED-indikatorn lyser fast). Den börjar söka efter Bluetooth-enheter (den blåa LED-indikatorn blinkar under parkoppling).

I läget Bluetooth:

1. Enheten söker efter en Bluetooth-signal.
2. Aktivera Bluetooth på enheten (såsom en iPhone/iPad/Android/annan telefon/surfplatta/dator) och se till att den kan "detekteras".

Obs! Se, efter behov, instruktionerna för din enhet beträffande att lägga till eller konfigurera Bluetooth.

3. Välj "Add new device" (Lägg till ny enhet) efter behov.

Obs! Vissa produkter söker automatiskt efter en ny enhet och alternativet "Add new device" (Lägg till ny enhet) är inte tillgängligt.

4. När enheten hittas visas den som "Lenco TT-115". Välj och börja parkoppla.
5. När parkopplingen är slutförd visas "Bluetooth Connected" (Bluetooth ansluten).
6. Nu när du har parkopplat enheten med skivspelaren ansluts de medan de är inom räckhåll, vilket är maximalt cirka 10 meter (33 fot) eller mindre utan hinder.
7. Enheten förblir parkopplad med skivspelaren såvida du inte bestämmer dig för att koppla bort den eller "unpair".
8. Du kan trycka kort på "Pair" för att återansluta enheten.

Spela upp via Bluetooth

1. Tryck på "Previous" på Bluetooth-enheten för föregående spår.
2. Tryck på "Next" på Bluetooth-enheten för nästa spår.
3. Tryck på "Play/pause" för att spela upp eller pausa Bluetooth-enheten.

"Denna produkt har en funktion för **mottagning** av Bluetooth, **men det går inte att överföra något bluetooth-ljud med den**. Detta betyder att du trådlöst kan ta emot en bluetooth-ljudsignal från en extern källa som till exempel en smartphone."

Använda med USB-uppspelning

1. Anslut USB-minnet eller MP3-spelaren till USB-porten.
2. Det börjar spela upp automatiskt

Använda med USB-kodning

Du kan spela in en vinylskiva, Bluetooth och Aux i Mp3-format till ett USB-minne.

1. Anslut USB-minnet till USB-porten.
2. Tryck på "mode" för att välja Bluetooth, Skivspelare eller Aux som ska spelas in på USB-minnet.
3. Tryck på "REC". LED-indikatorn börjar blinka. Detta indikerar att den spelar in.
4. Tryck på "REC" igen för att stoppa inspelningen.

BYTA UT NÅLEN

Se anvisningarna nedan för att byta ut nålen.

Ta bort nålen från pickupen

1. Placera en skruvmejsel på spetsen av nålen och tryck nedåt i riktningen som visas på bild "A".
2. Ta bort nålen genom att dra den framåt och trycka nedåt.

Montera nålen

1. Håll i spetsen på nålen och för in den genom att trycka såsom visas på bild "B".
2. Tryck nålen uppåt i den riktning som visas på bild "C" till den låses fast på plats.



Styrstift (inuti)

OBS

Vi råder dig att rengöra skivor med en antistatisk trasa för att få ut maximal upplevelse från dem.

Vi rekommenderar, av samma orsak, att nålen bör bytas med jämna mellanrum (cirka varje 250 uppspelningstimmar).

TIPS FÖR BÄTTRE PRESTANDA FRÅN DIN SKIVSPELARE

1. Hantera skivspelarens lock försiktigt när det öppnas eller stängs. Lyft antingen i mitten eller på varje sida.
2. Rör inte vid nålspetsen med fingrarna. Undvik att stöta nålen mot tallriken eller kanten på skivan.
3. Rengör nålspetsen ofta – använd endast en mjuk borste i en linjär rörelse.
4. Om en nålrengöringsvätska måste användas ska den användas sparsamt.
5. Torka försiktigt av skivspelarens hölje med en mjuk trasa. Använd endast en liten mängd mildt diskmedel för att rengöra skivspelaren.

Använd endast den strömförsörjning som anges i bruksanvisningen

| Information | Värden och precision |
|---|--|
| Tillverkarens namn eller varumärke, kommersiell registrering och adress | DongGuan Obelieve Electronic Co., Ltd Huazhaoxin Industrial park B-4/F, Golden phoenix industrial zone, Fenggan town, Dongguan city, Guangdong province, Kina |
| Modellbeteckning | OBL-0501000E/OBL-0501000B |
| Inspänning | 100–240 V |
| Inspänningens frekvens | 50/60 Hz |
| Utspänning | 5 V |
| Utström | 1 A |
| Uteffekt | 5 W |
| Genomsnittlig verkningsgrad i aktivt läge | 73,62 |
| Effektförbrukning utan belastning | ≤ 0,10 |

Garanti

Commaxx B.V. erbjuder service och garanti i enlighet med europeisk lagstiftning, vilket innebär vid fall av reparationer (både under och efter garantins giltighetsperiod) ska du kontakta din lokala återförsäljare.

Viktigt: det går inte att skicka produkter som behöver repareras direkt till Commaxx B.V.

Viktigt: om denna enhet öppnas eller på något sätt tas omhand av ett icke-officiellt servicecenter så upphör garantin.

Denna enhet är inte lämplig för yrkesmässig användning. Vid yrkesmässig användning, upphör samtliga garantier från tillverkaren att gälla.

Friskrivningsklausul

Uppdateringar av hård mjukvara och/eller hårdvarukomponenter görs regelbundet. Därmed kan vissa anvisningar, specifikationer och bilder i denna dokumentation skilja sig något från din särskilda situation. Alla artiklar beskrivna in denna guide är endast för illustration och kan inte tillämpas på någon speciell situation. Inga juridiska rättigheter eller anspråk kan erhållas från beskrivningen i denna manual.

Bortskaffande av gammal enhet



Denna symbol anger att den relevanta elektriska produkten eller batteriet ska inte kasseras i det allmänna hushållsavfallet i Europa. När den korrekta avfallsbehandlingen för produkten och batteriet ska säkerställas, ska elektrisk utrustning eller batterier kasseras i enlighet med varje krav på tillämplig lokal lagstiftning. Genom detta handlande, bidrar du till att återvinna naturresurser och förbättra normer för miljöskydd och kassering av elektrisk avfall (elektrisk och elektronisk utrustning).

FÖRSÄKRAN OM ÖVERSTÄMMELSE

Härmed intygar Commaxx att radioutrustningen av typen [Lenco TT-115] överensstämmer med direktiv 2014/53/EU. Den fullständiga texten gällande EU-försäkran om överensstämmelse finns på följande internetadress:

https://commaxx-certificates.com/doc/tt-115_doc.pdf

| RF-typ | Frekvensområde (MHz) | Effekt (dBm) |
|-----------|----------------------|--------------|
| Bluetooth | 2402–2480 | < 6 |



WARNING: För att förhindra eventuella hörselskador ska du inte lyssna på hög volym under långa perioder.

Service

Besök support.lenco.com för mer information och support

Commaxx B.V. Wiebachstraat 37, 6466 NG Kerkrade, Nederländerna.

Ovaj dokument je originalno proizveden i objavljen od strane proizvođača, brenda Lenco, i preuzet je sa njihove zvanične stranice. S obzirom na ovu činjenicu, Tehnoteka ističe da ne preuzima odgovornost za tačnost, celovitost ili pouzdanost informacija, podataka, mišljenja, saveta ili izjava sadržanih u ovom dokumentu.

Napominjemo da Tehnoteka nema ovlašćenje da izvrši bilo kakve izmene ili dopune na ovom dokumentu, stoga nismo odgovorni za eventualne greške, propuste ili netačnosti koje se mogu naći unutar njega. Tehnoteka ne odgovara za štetu nanесenu korisnicima pri upotrebi netačnih podataka. Ukoliko imate dodatna pitanja o proizvodu, ljubazno vas molimo da kontaktirate direktno proizvođača kako biste dobili sve detaljne informacije.

Za najnovije informacije o ceni, dostupnim akcijama i tehničkim karakteristikama proizvoda koji se pominje u ovom dokumentu, molimo posetite našu stranicu klikom na sledeći link:

<https://tehnoteka.rs/p/lenco-tt-115cr-gramofon-akcija-cena/>