

Uputstvo za upotrebu (EN)

MARSHALL bluetooth zvučnik Kliburn 2 Black

Marshall



Tehnoteka je online destinacija za upoređivanje cena i karakteristika bele tehnike, potrošačke elektronike i IT uređaja kod trgovinskih lanaca i internet prodavnica u Srbiji. Naša stranica vam omogućava da istražite najnovije informacije, detaljne karakteristike i konkurentne cene proizvoda.

Posetite nas i uživajte u ekskluzivnom iskustvu pametne kupovine klikom na link:

<https://tehnoteka.rs/p/marshall-bluetooth-zvucnik-kliburn-2-black-akcija-cena/>

Marshall

KILBURN II - PORTABLE STEREO LOUDSPEAKER

USER MANUAL

LEGAL & TRADEMARK NOTICE

- Design of device and packaging are intellectual properties of Zound Industries International AB and Marshall Amplification Plc. © All Rights Reserved. Zound Industries International AB is hereinafter referred to as “Zound Industries” or “manufacturer”.
- MARSHALL, Marshall Amps, their respective logos, “Marshall” and “Marshall” trade dress are trademarks and intellectual property of Marshall Amplification Plc and may not be used without permission. Permission granted to Zound Industries.
- Qualcomm aptX is a product of Qualcomm Technologies International, Ltd. Qualcomm is a trademark of Qualcomm Incorporated, registered in the United States and other countries, used with permission. aptX is a trademark of Qualcomm Technologies International, Ltd., registered in the United States and other countries, used with permission.
- The Bluetooth® wordmark and logos are registered trademarks owned by the Bluetooth SIG, Inc. and any use of such marks by Zound Industries is under license.
- All other trademarks are the property of their respective owners and may not be used without permission.
- For more legal information related to this product and to its use in your specific region, and for more detailed information about Zound Industries and partner & license information, please visit the website: www.marshallheadphones.com. The user is recommended to visit the website regularly for up-to-date information.

Zound Industries International AB, Centralplan 15, 111 20 Stockholm, Sweden

DISCLAIMER

For use with mobile devices using 3.5 mm plug unprotected two-way standard.

Stated play time is calculated using random selection of music, played at medium volume.

The information contained herein is correct at the time of publication, with reservation for editorial errors. Compatibility with future versions of this product is not guaranteed.

INDEX

ENGLISH

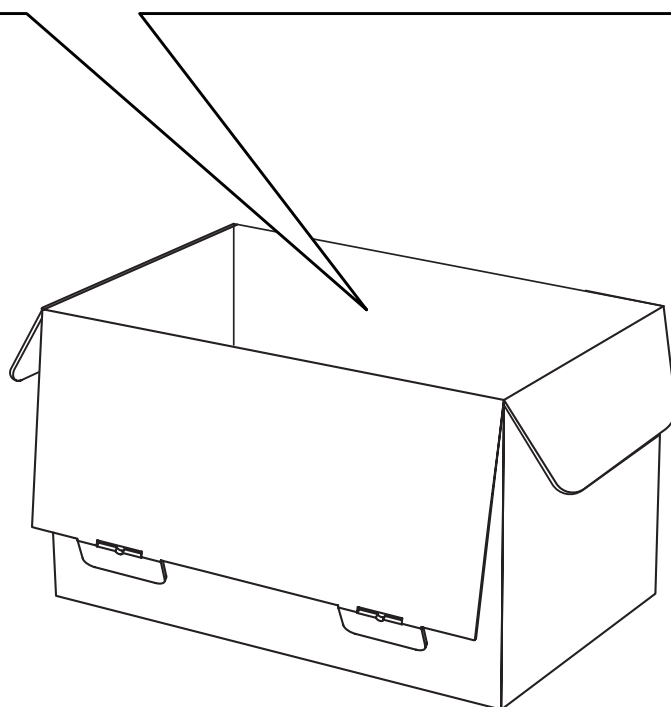
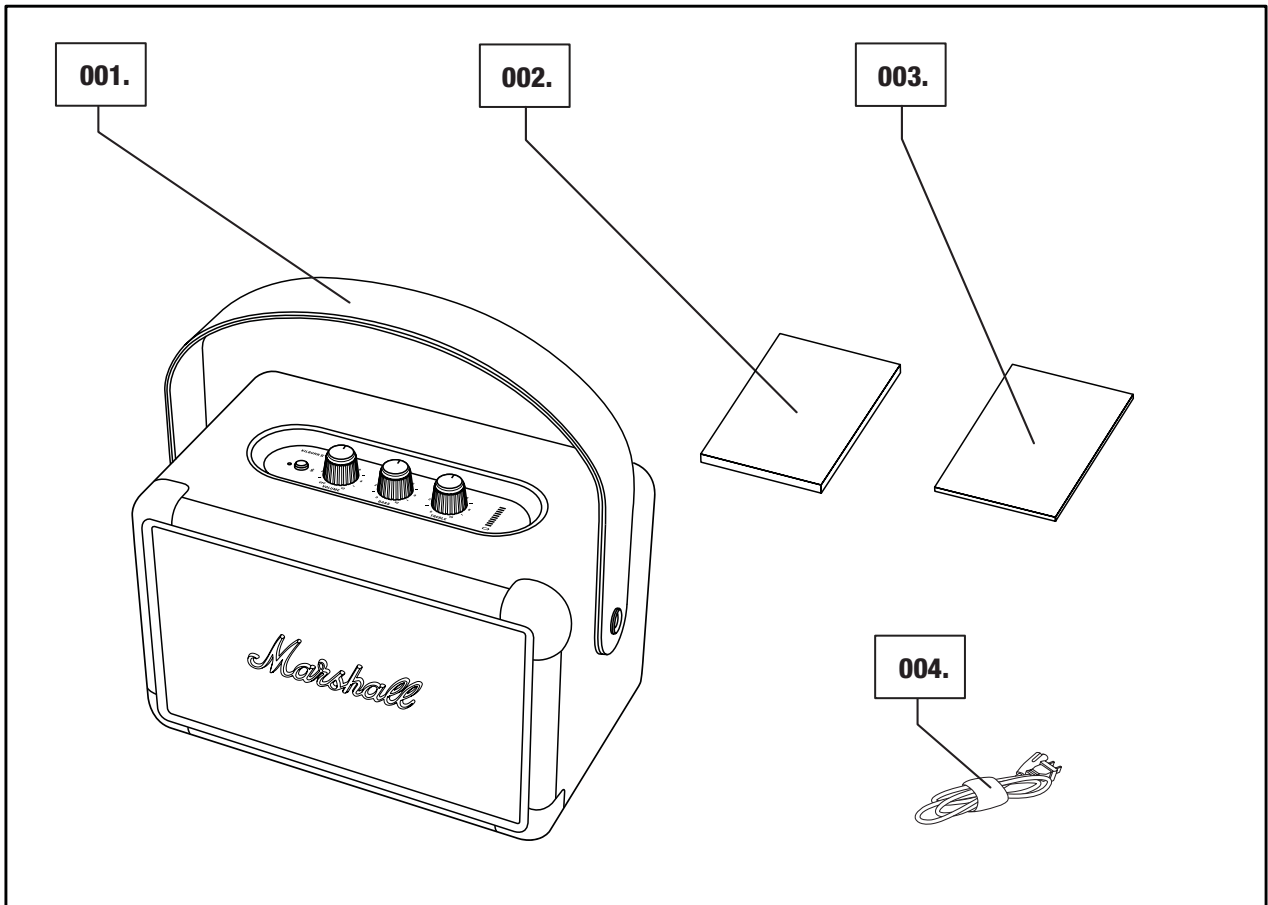
SECTIONS

PAGE

- 002. LEGAL & TRADEMARK NOTICE**
- 002. DISCLAIMER**
- 004. BOX CONTENTS**
- 005. GENERAL DESCRIPTION**
- 007. CHARGING THE INTERNAL BATTERY**
- 008. TURNING THE KILBURN II ON/OFF**
- 009. MANY WAYS TO CONNECT**
- 010. CONNECTING VIA BLUETOOTH (PAIRING)**
- 011. CONNECTING VIA AUX INPUT**
- 012. BATTERY LEVEL INDICATOR**
- 013. ADJUSTING THE VOLUME/BASS/TREBLE**
- 014. STANDBY MODE**
- 015. PERFORMING A FACTORY RESET**
- 016. TECHNICAL INFORMATION**
- 017. TROUBLESHOOTING**

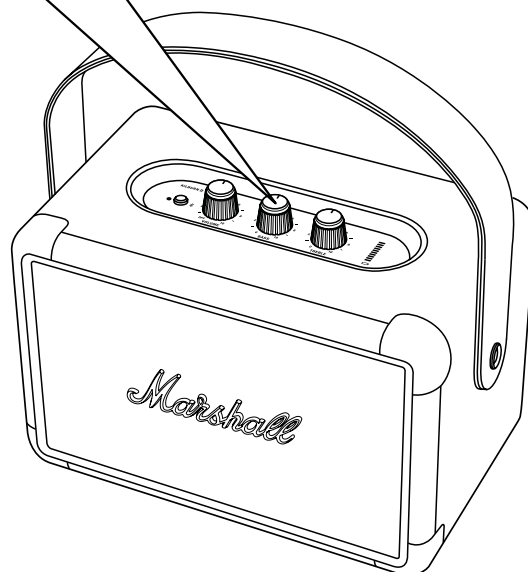
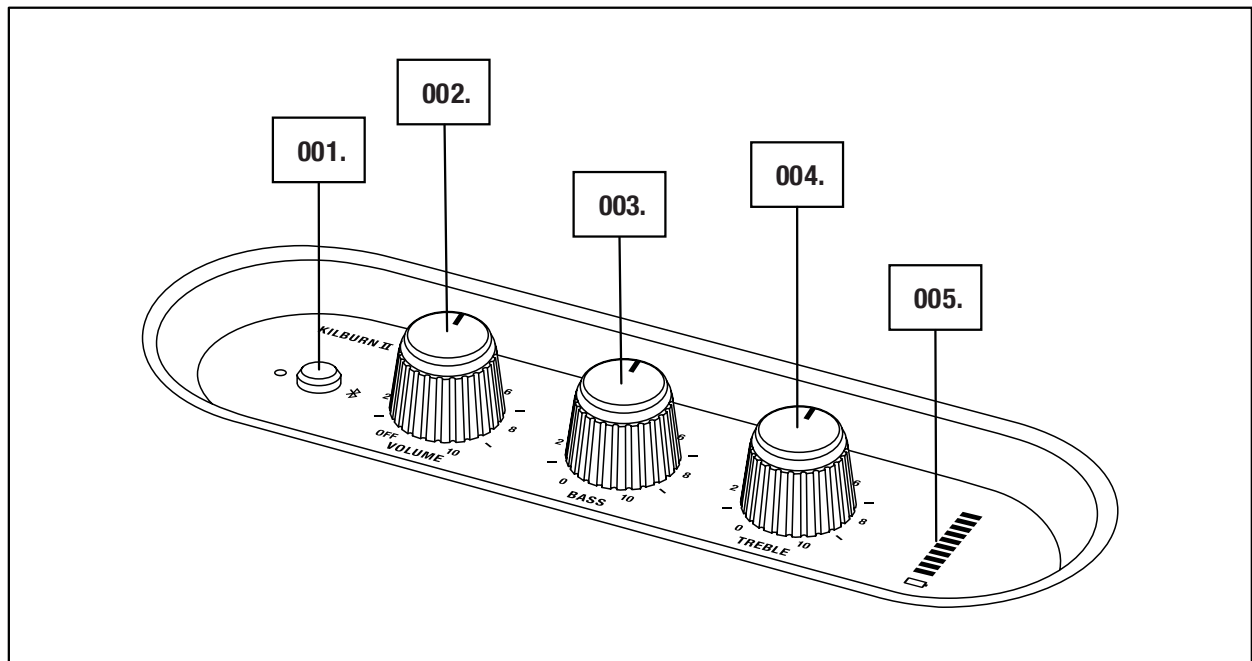
BOX CONTENTS

- 001. Marshall Kilburn II portable stereo loudspeaker**
- 002. Quick start guide**
- 003. Important safety instructions**
- 004. Power cord**



GENERAL DESCRIPTION

- 001. Bluetooth button
- 002. Power/volume knob
- 003. Bass knob
- 004. Treble knob
- 005. Battery level indicator

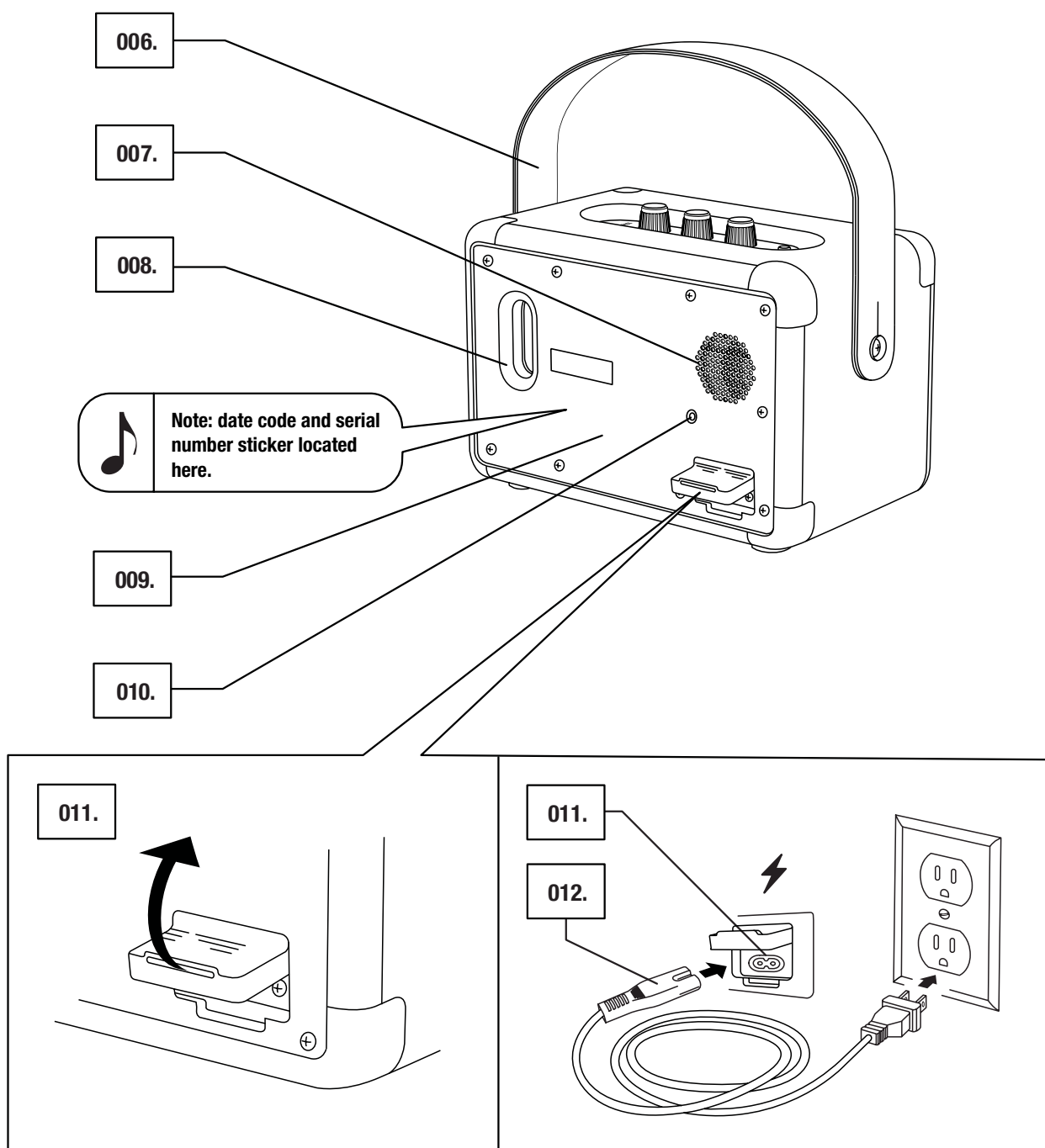


005.

Marshall

GENERAL DESCRIPTION CONTINUED

- 006. Detachable carry strap
- 007. Rear driver
- 008. Bass port
- 009. Backplate
- 010. Aux input for 3.5 mm plug
- 011. Power jack
- 012. Power cord

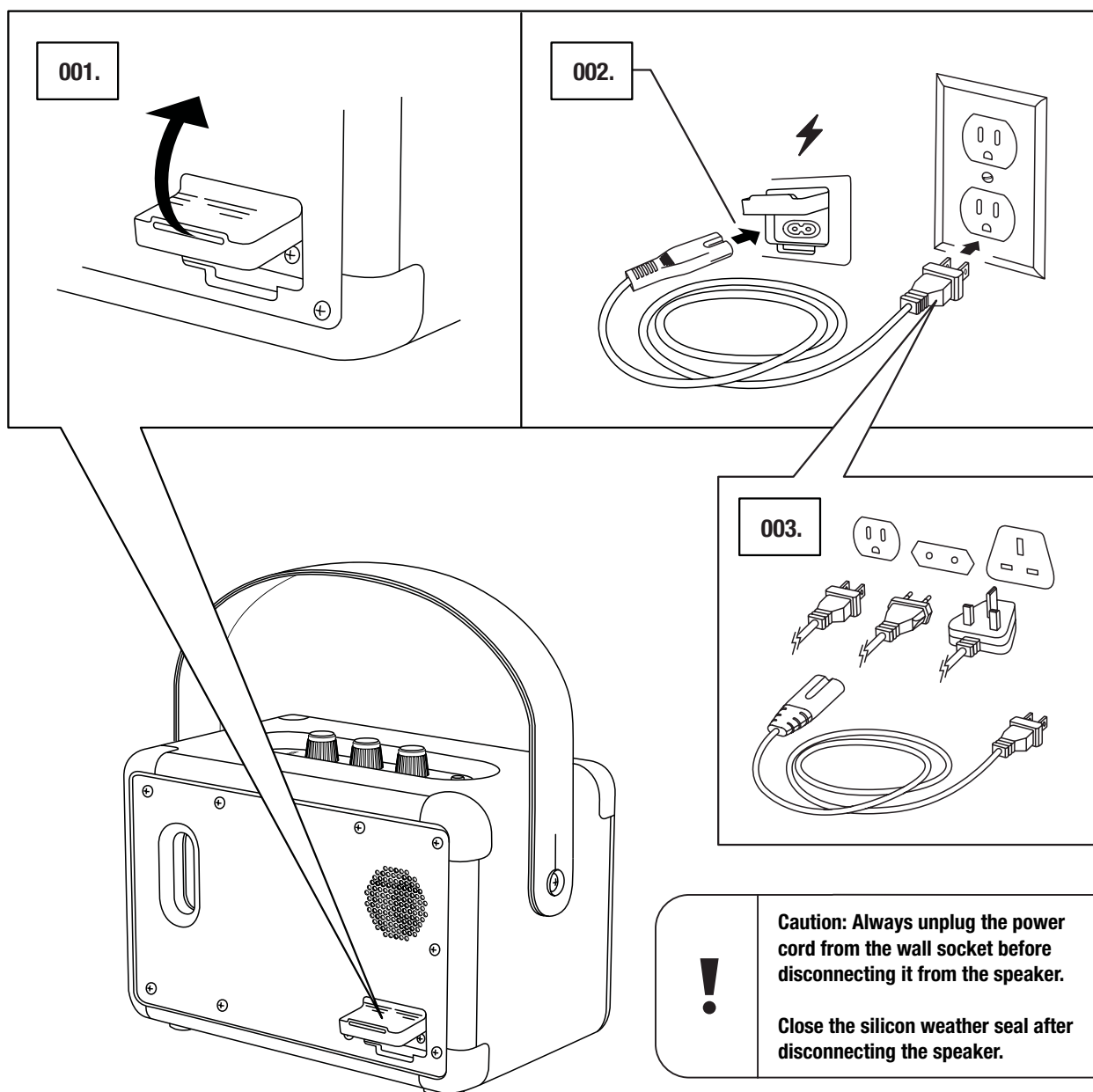


CHARGING THE INTERNAL BATTERY

Important: Always ensure that the power cable, plug and speaker are compatible with your mains supply and wall socket.

The Kilburn II is equipped with an internal battery with a playing time for more than 20 hours at mid volume. Charging the battery from empty to full charge takes approximately 2.5 hours.

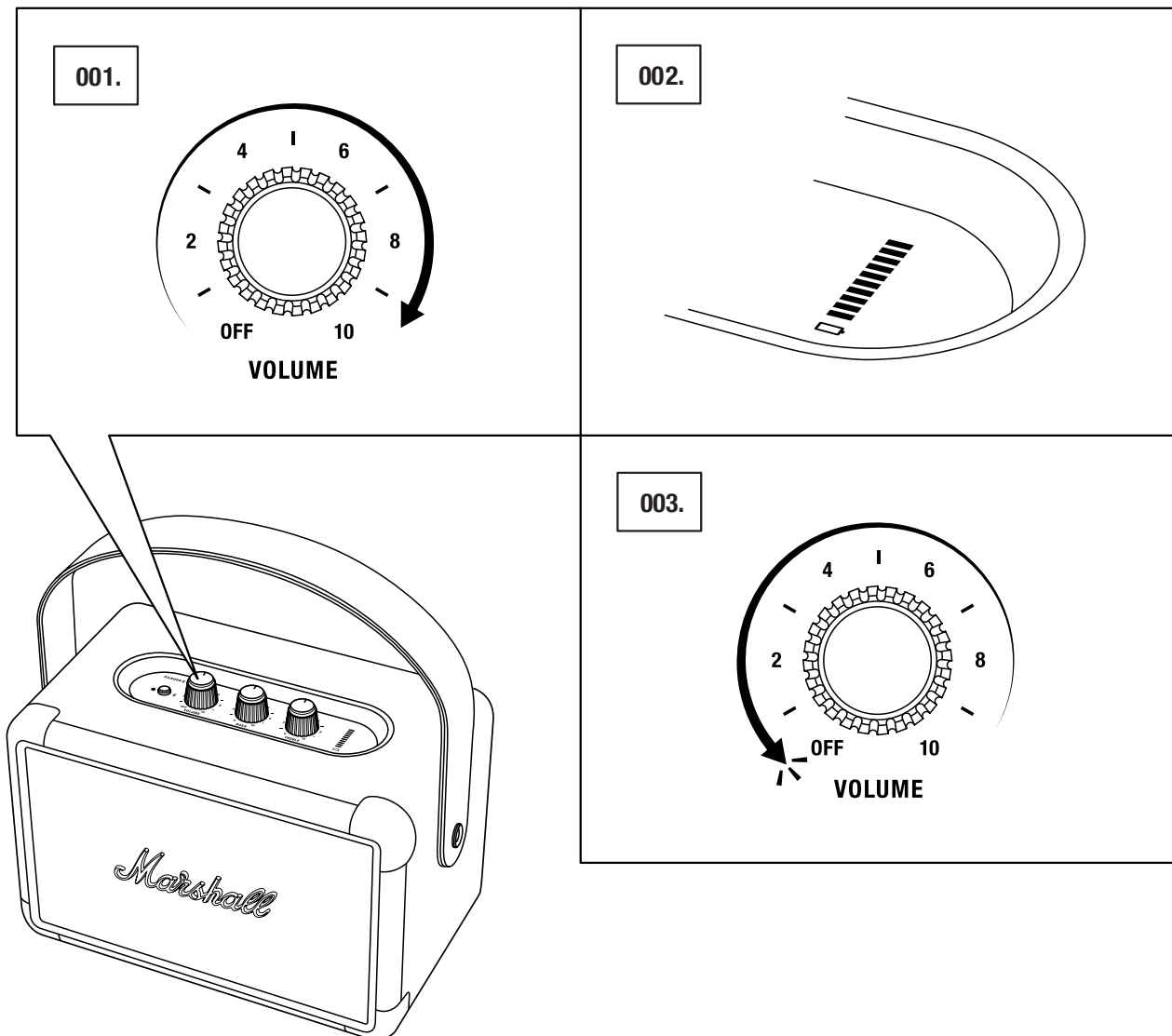
- 001.** Gently pull open the silicone weather seal on the back of the speaker.
- 002.** Connect the power cord into the power jack on the speaker.
- 003.** Connect the power plug to the wall socket. The battery charge is shown on the battery level indicator.



TURNING THE KILBURN II ON/OFF

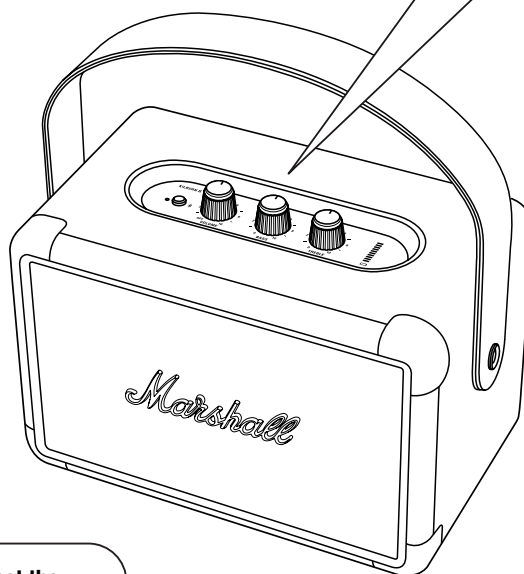
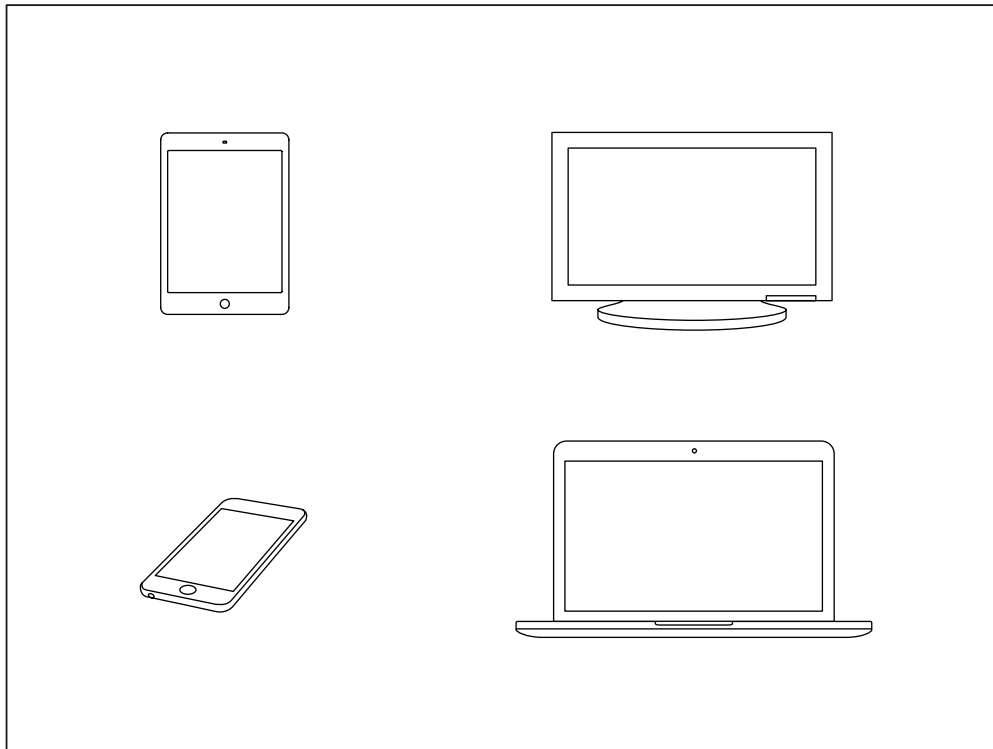
The volume knob doubles as an on/off control.

001. Turn the volume knob clockwise to the desired volume and the speaker turns on.
002. The battery level indicator shows the battery charge.
003. Turn the volume knob fully counter-clockwise until you hear a click to turn off the speaker.
004. All indicators turn off.



MANY WAYS TO CONNECT

There are many ways to connect to your Kilburn II. The connection can be wireless via Bluetooth or by using a cable with a 3.5 mm stereo plug.



Caution: Make sure that the volume is set to low on both the speaker and the music player before using the speaker.

CONNECTING VIA Bluetooth (PAIRING)

001. Push and hold the Bluetooth button for 2 seconds.

The Bluetooth indicator starts to blink.

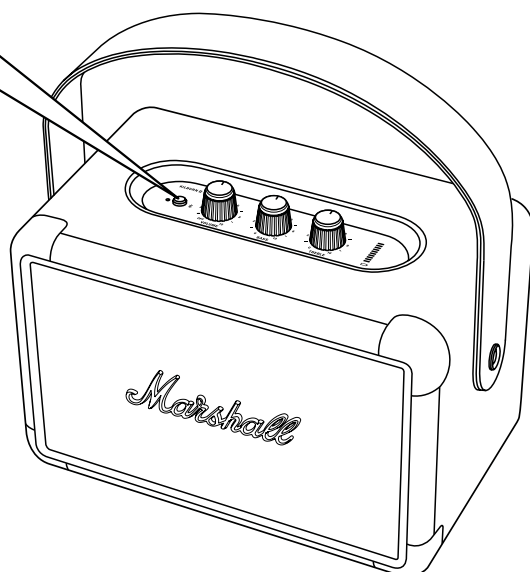
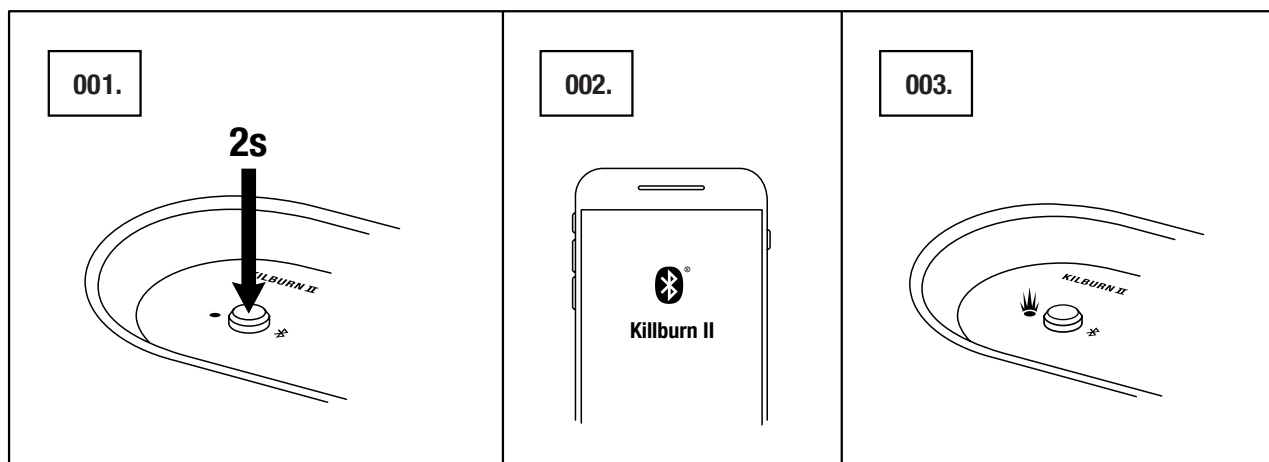
002. Enable Bluetooth on your device (smartphone, tablet, computer).

003. Select KILBURN II from the Bluetooth list and accept pairing.

The Bluetooth indicator on the the speaker stops blinking and remains lit when the units are connected.

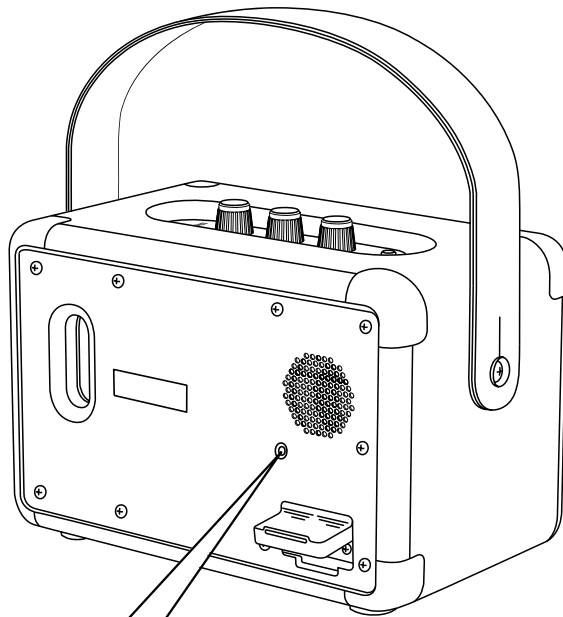
004. Press play on your audio device.

Kilburn II can be connected to two Bluetooth devices at the same time. Playing a connected Bluetooth device will make it the selected audio source, pausing any previously played audio on the second device.



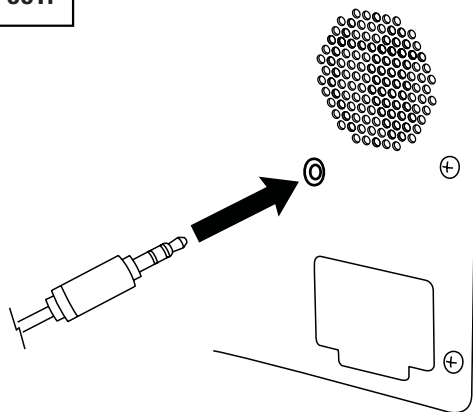
CONNECTING VIA AUX INPUT

001. Connect a 3.5 mm stereo plug to the input labelled AUX on the back of speaker.
002. Connect the other end of the cord to the audio output on your audio device.
003. Press play on your audio device.

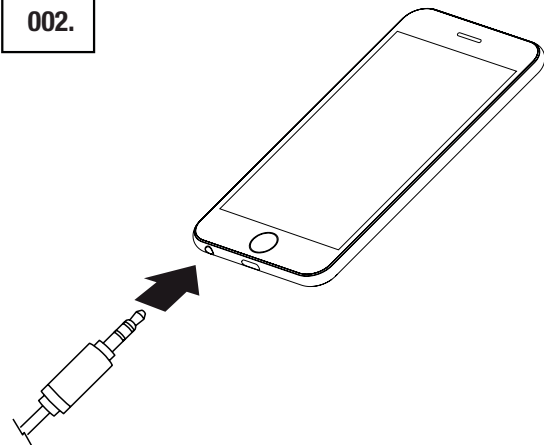


Note: Audio cables are not included in the Kilburn II.

001.



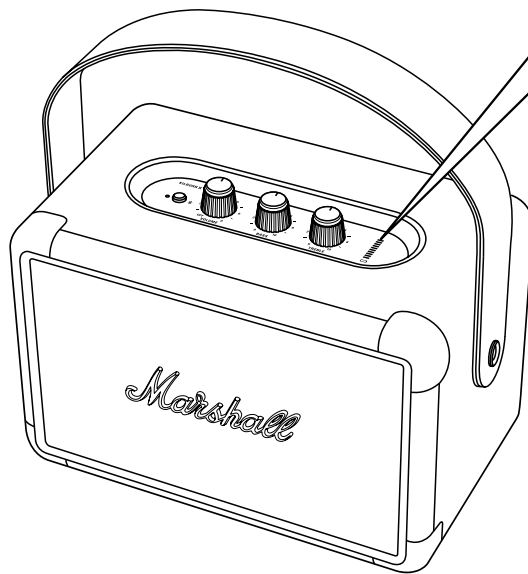
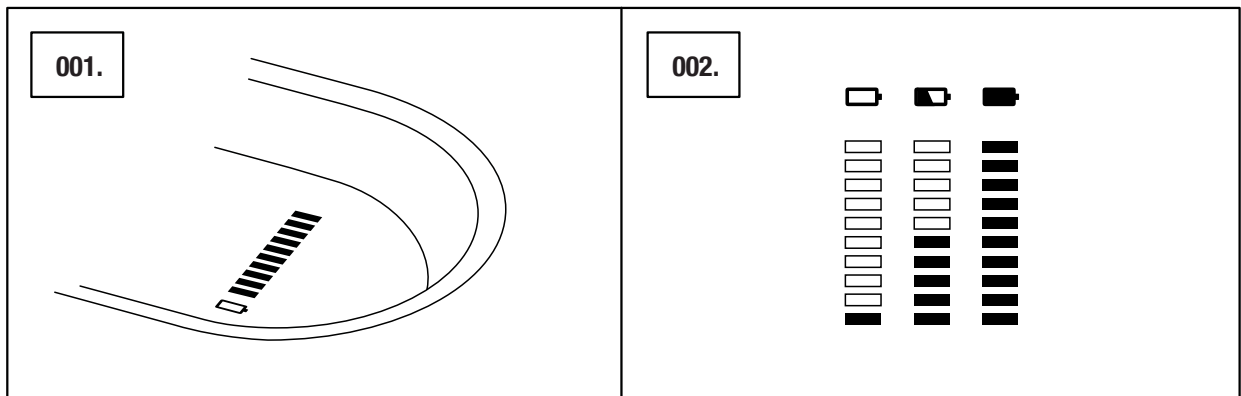
002.



BATTERY LEVEL INDICATOR

The battery level indicator shows the battery charge of the Kilburn II. The indicator is dimmed during normal operation to save battery power. Turning any knob will make the indicator light up.

When charging the battery, the indicator displays the battery charge with a rising animation.



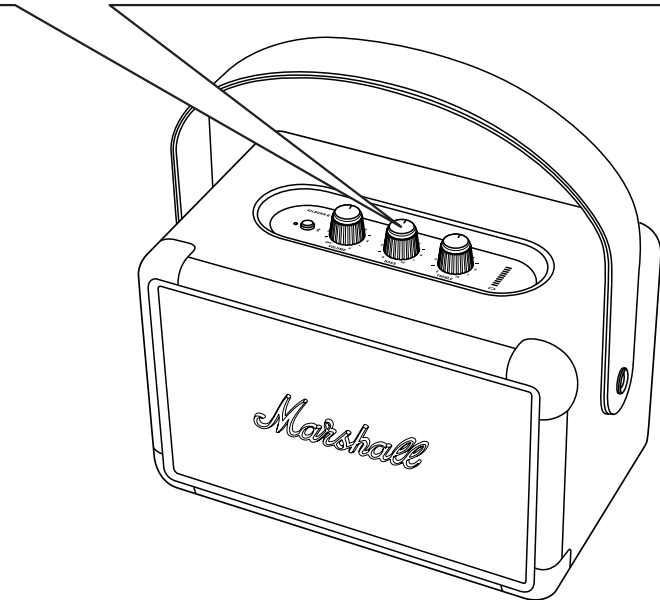
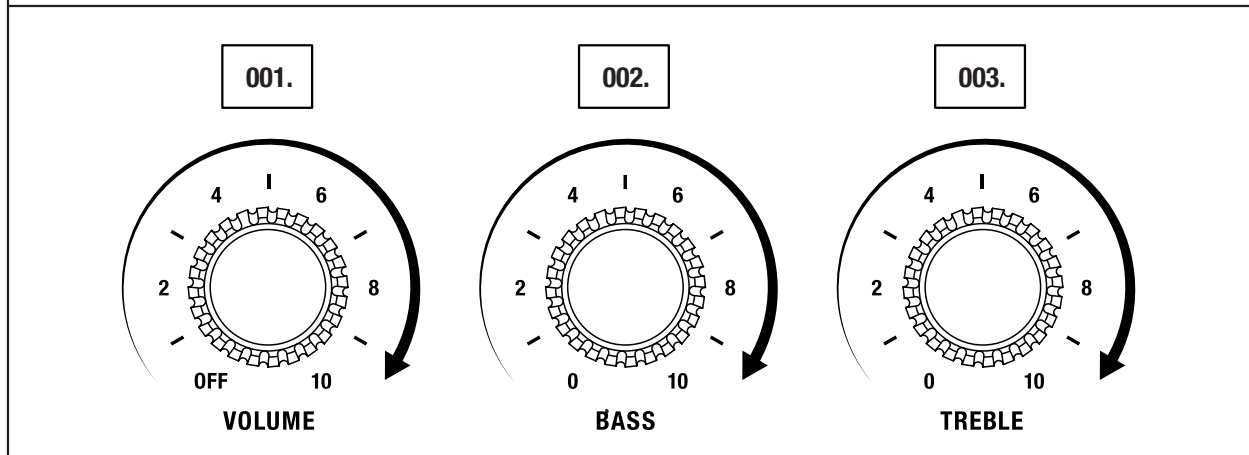
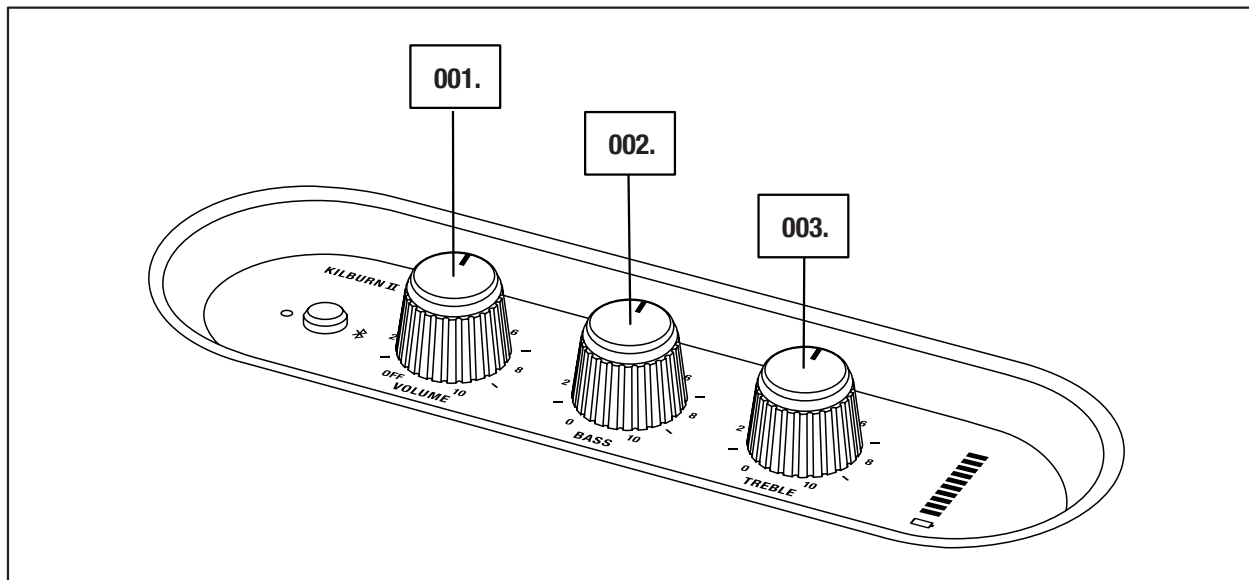
ADJUSTING THE VOLUME/BASS/TREBLE


The Kilburn II has three knobs for adjusting the audio.

001. Volume knob

002. Bass knob

003. Treble knob

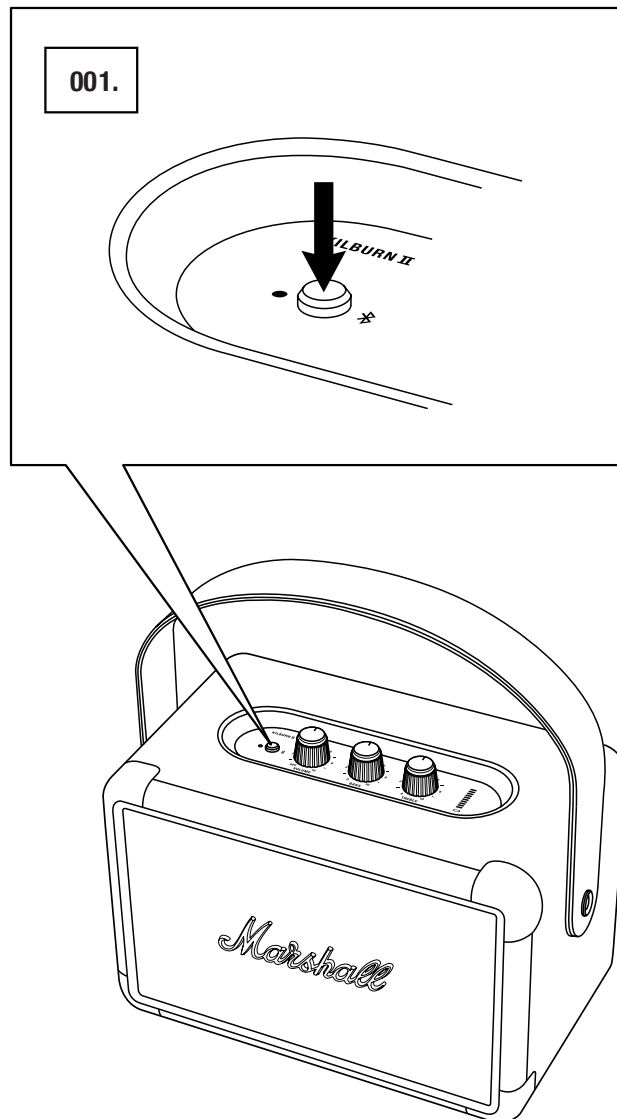



 **Note: The volume knob is also the on/off switch.**

STANDBY MODE

If the Kilburn II is left unused for 10 minutes the speaker saves battery charge by going into standby. In this mode all indicators are off and the speaker does not respond to Bluetooth connection.

001. Push the Bluetooth button to wake the speaker from standby mode.



 **Note:** The internal battery can be charged while in standby mode.

PERFORMING A FACTORY RESET

A factory reset will return the speaker to its original settings, excluding any firmware updates.

Note: This will delete all user settings and the speaker will need to be set up again.

001. Ensure that the speaker is on.

002. Push and hold the Bluetooth button for 7 seconds. All indicators turn off and the speaker restarts.

003. Remove KILBURN II from your audio device's Bluetooth list before pairing again.

TECHNICAL INFORMATION

Acoustic specification

- **Portable stereo loudspeaker with bass reflex system**
- **Digital class D amplifiers:** 2 x 8 W + 1 x 20 W
- **Tweeters:** 2 x 20 mm dome tweeters
- **Woofers:** 1 x 4" woofer
- **Bass and treble tone controls**
- **Frequency response:** 52–20,000 Hz \pm 6 dB
- **Maximum sound pressure level:** 100.4 dB SPL @ 1 m

Connectivity:

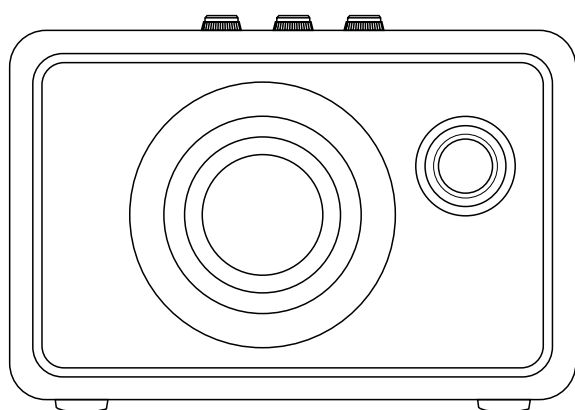
- **Bluetooth®:** Bluetooth 5.0 with Qualcomm aptX™
- **AUX:** 3.5 mm stereo jack

Technical information

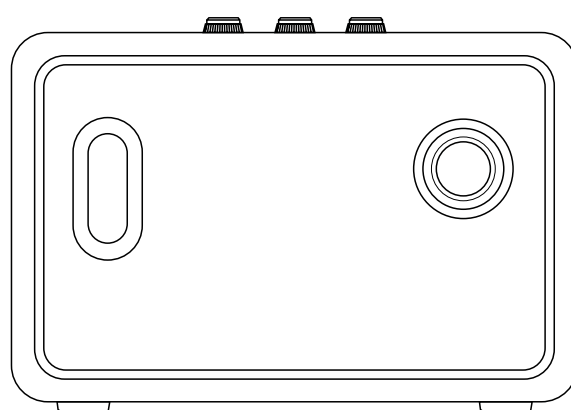
- **Mains input voltage:** 100–240 V~
- **Mains frequency:** 50–60 Hz
- **Size:** 243 x 162 x 140 mm
- **Weight:** 2.5 kg

Battery

- **Battery type:** Built-in, rechargeable Li-ion battery
- **Playtime:** 20+ h
- **Charging time:** 2.5 h



FRONT



BACK



Note: The front of the speaker is not removable. This illustration intends to show the internal speaker layout. Do not attempt to remove the fret for risk of damaging your speaker.

TROUBLESHOOTING


PROBLEM	CAUSE	ACTION
The Kilburn II does not turn on.	The battery is discharged.	Connect the power cord to the Kilburn II and a working wall socket.
There is no audio	The wrong audio source is selected.	Ensure that the device is connected to the Kilburn II. Check that there is no other device connected that is playing.
	Volume is set too low on either the audio source or the speaker.	Slightly increase the volume on your audio source or the speaker.
Cannot connect or pair with a Bluetooth device	Bluetooth is not enabled on your device (smartphone, tablet, computer).	Activate Bluetooth on your device.
	There are already two devices connected to the speaker.	Disconnect one of the connected Bluetooth devices before connecting to the speaker.
	The speaker is not in pairing mode.	Push and hold the Bluetooth button for 3 seconds to make the speaker discoverable by the device.
	Your device prompts you for a pin code.	In most cases, no pin code is needed. If a pin code is requested, use the pin code 0000 .

TROUBLESHOOTING

PROBLEM	CAUSE	ACTION
The speaker is not responding	A software problem has occurred.	<ol style="list-style-type: none"> 1. Turn the speaker off by turning the volume knob counter-clockwise until you hear a click. 2. Wait 15 seconds, then turn the speaker on again.
		<p>Push and hold the Bluetooth button for 7 seconds to reset the speaker to default settings.</p> <p>Note: After this reset the speaker will forget all Bluetooth pairings.</p>
Bluetooth connection drops out	The two Bluetooth devices are too far apart or the connection is affected due to obstacles.	Move the devices closer so that they are within 10 metres, and unobstructed by obstacles such as walls or doors.
	There is a strong electric field surrounding the Kilburn II.	Items such as microwave ovens, wireless network adapters, fluorescent lights and gas cookers use the same frequency range as the Bluetooth device. This may lead to electrical disturbances.
There is a crackling sound	The amplifier is clipping as it has run out of output power.	Decrease the volume on your audio source.
		Lower the volume or bass on the Kilburn II.

TROUBLESHOOTING

PROBLEM	CAUSE	ACTION
The audio is distorted	Volume is set too high on the audio source.	Turn down the playback volume on the audio source.
	The audio stream or audio file is of poor quality.	Try another audio file or music player.
	Volume is set too high on the Kilburn II.	Lower the volume on the speaker.
	Too much bass/treble on the speaker.	Lower the bass/treble on the speaker.
Erratic performance	Interference from another electronic device.	Move the Kilburn II to another spot.
		Turn off or move the interfering electronic device.



Notes:

A Bluetooth device could cause audio-related or technical faults, depending on use, in the following cases:

- **When some part of the body is in contact with the receiving/transmitting system for the Bluetooth device or the Kilburn II.**
- **Electrical variations due to obstacles in the form of walls, corners, etc.**
- **Exposure to electrical disruptions from devices within the same frequency band, for example medical equipment, microwave ovens and wireless networks.**

This wireless device may cause electrical disruptions during use.

WWW.MARSHALLHEADPHONES.COM

Ovaj dokument je originalno proizveden i objavljen od strane proizvođača, brenda Marshall, i preuzet je sa njihove zvanične stranice. S obzirom na ovu činjenicu, Tehnoteka ističe da ne preuzima odgovornost za tačnost, celovitost ili pouzdanost informacija, podataka, mišljenja, saveta ili izjava sadržanih u ovom dokumentu.

Napominjemo da Tehnoteka nema ovlašćenje da izvrši bilo kakve izmene ili dopune na ovom dokumentu, stoga nismo odgovorni za eventualne greške, propuste ili netačnosti koje se mogu naći unutar njega. Tehnoteka ne odgovara za štetu nanесenu korisnicima pri upotrebi netačnih podataka. Ukoliko imate dodatna pitanja o proizvodu, ljubazno vas molimo da kontaktirate direktno proizvođača kako biste dobili sve detaljne informacije.

Za najnovije informacije o ceni, dostupnim akcijama i tehničkim karakteristikama proizvoda koji se pominje u ovom dokumentu, molimo posetite našu stranicu klikom na sledeći link:

<https://tehnoteka.rs/p/marshall-bluetooth-zvucnik-kliburn-2-black-akcija-cena/>