

Informacije o proizvodu (EN)

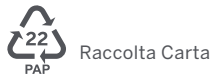
SEGWAY Ninebot KickScooter E2 E električni trotinet



Tehnoteka je online destinacija za upoređivanje cena i karakteristika bele tehnike, potrošačke elektronike i IT uređaja kod trgovinskih lanaca i internet prodavnica u Srbiji. Naša stranica vam omogućava da istražite najnovije informacije, detaljne karakteristike i konkurentne cene proizvoda.

Posetite nas i uživajte u ekskluzivnom iskustvu pametne kupovine klikom na link:

<https://tehnoteka.rs/p/segway-ninebot-kickscooter-e2-e-elektricni-trotinet-akcija-cena/>



EN The manufacturer reserves the right to make changes to the product, release firmware updates, and update this manual at any time. Visit www.segway.com or check the Segway-Ninebot app to download the latest user materials. You must install the app, activate your KickScooter, and obtain the latest updates and safety instructions.

FR Le fabricant se réserve le droit d'apporter des modifications au produit, de publier des mises à jour du firmware et de mettre à jour ce manuel à tout moment. Visitez www.segway.com ou consultez l'application Segway-Ninebot pour télécharger les derniers contenus destinés à l'utilisateur. Vous devez installer l'application, activer votre KickScooter et obtenir les dernières mises à jour et consignes de sécurité.

DE Der Hersteller behält sich das Recht vor, jederzeit Änderungen am Produkt vorzunehmen, Firmware-Updates zu veröffentlichen und dieses Handbuch zu aktualisieren. Besuchen Sie www.segway.com oder schauen Sie in der Segway-Ninebot-App nach, um die neuesten Benutzermaterialien herunterzuladen. Sie müssen die App installieren, Ihren KickScooter aktivieren und die neuesten Aktualisierungen und Sicherheitsanweisungen erhalten.

I T Il produttore si riserva il diritto di apportare modifiche al prodotto, rilasciare aggiornamenti del firmware e aggiornare il presente manuale in qualsiasi momento. Visitare il sito www.segway.com o controllare l'app Segway-Ninebot per scaricare i materiali più recenti rivolti agli utenti. È necessario installare l'app, attivare il KickScooter e ottenere gli ultimi aggiornamenti e le istruzioni di sicurezza.

ES El fabricante se reserva el derecho de realizar cambios en el producto, fabricar actualizaciones de sus piezas y actualizar este manual en cualquier momento. Visite www.segway.com o consulte la aplicación Segway-Ninebot para descargar los materiales más recientes para el usuario. Debe instalar la aplicación, activar el KickScooter y obtener las últimas actualizaciones e instrucciones de seguridad.

PL Producent zastrzega sobie prawo do wprowadzania zmian w produkcie, aktualizacji oprogramowania wbudowanego oraz aktualizacji niniejszej instrukcji w dowolnym momencie. Odwiedź witrynę www.segway.com lub otwórz aplikację Segway-Ninebot, aby pobrać najnowsze materiały dla użytkownika. Musisz zainstalować aplikację, aktywować hulajnogę KickScooter, a także uzyskać najnowsze aktualizacje i instrukcje dotyczące bezpieczeństwa.

NL De fabrikant behoudt zich het recht voor om op elk moment wijzigingen aan het product aan te brengen, firmware-updates uit te brengen en deze handleiding bij te werken. Ga naar www.segway.com of bekijk de Segway-Ninebot-app om het nieuwste gebruikersmateriaal te downloaden. U moet de app installeren, uw KickScooter activeren en de nieuwste updates en veiligheidsinstructies verkrijgen.

P T O fabricante reserva-se o direito de fazer alterações no produto, lançar atualizações de firmware e atualizar este manual a qualquer momento. Visite www.segway.com ou verifique a aplicação Segway-Ninebot para descarregar os materiais de utilizador mais recentes. Deve instalar a aplicação, ativar a sua KickScooter e obter as últimas atualizações e instruções de segurança.

EN The pictures shown are for illustration purposes only. The actual product may vary.

FR Les images sont présentées à titre indicatif uniquement. Le produit réel peut varier.

DE Die gezeigten Abbildungen dienen nur zur Veranschaulichung. Das tatsächliche Produkt kann davon abweichen.

IT Le immagini mostrate sono solo a scopo illustrativo. Il prodotto effettivo può subire variazioni.

ES Las imágenes que se muestran son solo para fines ilustrativos. El producto real puede variar.

PL Przedstawione obrazy służy wyłącznie do celów ilustracyjnych. Faktyczny produkt może wyglądać inaczej.

NL De getoonde foto's zijn alleen ter illustratie. Het werkelijke product kan variëren.

PT As imagens apresentadas são meramente ilustrativas. O produto real pode variar.

Ninebot KickScooter

EN Product Manual

FR Manuel du produit

DE Produkthandbuch

IT Manuale del prodotto

ES Manual del producto

PL Instrukcja obsługi

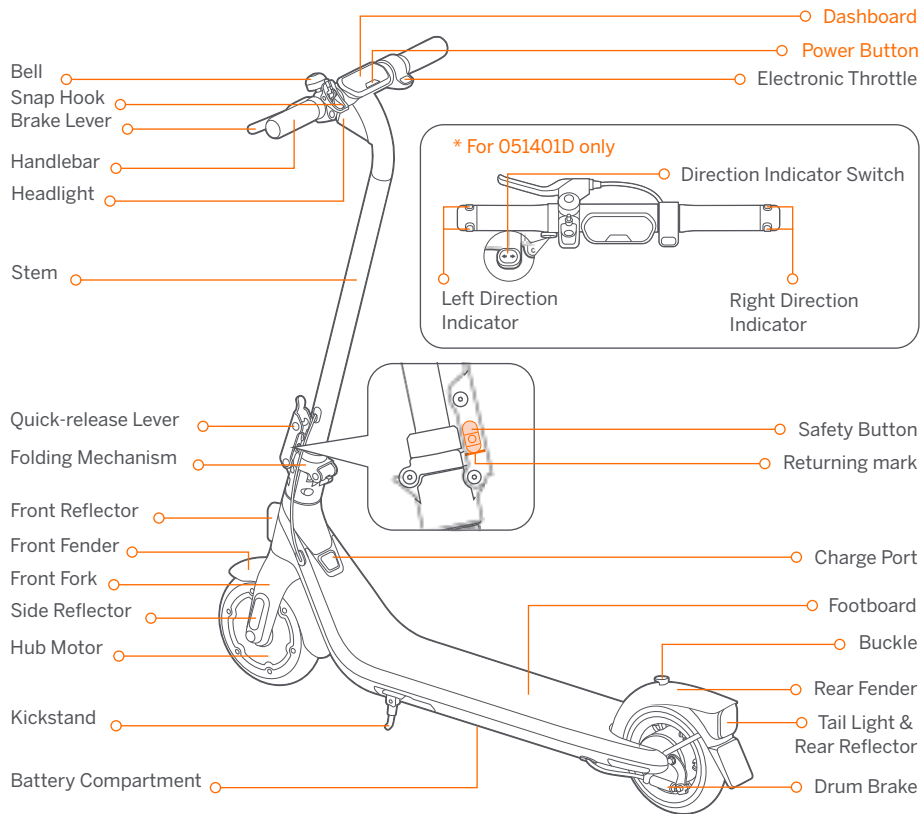
NL Producthandleiding

PT Manual do produto

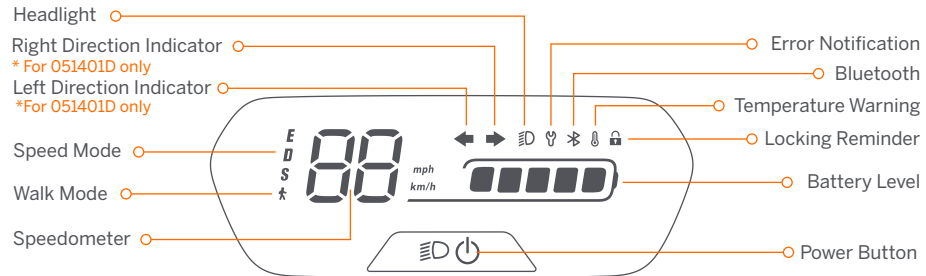


ninebot®

1 Diagram



Dashboard & Power Button



Power Button: Press the button to power on the scooter; press and hold the button for 2 seconds to power it off. When the scooter is on, press the button to turn on/off the headlight and the tail light, and press twice to switch between the speed modes. Press five times to switch the unit between km/h and mph.

Speedometer: It displays the current speed of the scooter, as well as error codes.

Walk Mode: The headlight and tail light are always on and can't be turned off.

Speed Mode: There are 4 modes available. The top speed is as follows:

Mode	Model	E2 Speed limit	E2 Plus Speed limit	E2 Ranges*	E2 Plus Ranges*
E (Energy-saving mode)		15 km/h (9.3 mph)	15 km/h (9.3 mph)	25 km (15.5 miles)	25 km (15.5 miles)
D (Standard mode)		20 km/h (12.4 mph)	20 km/h (12.4 mph)	20 km (12.4 miles)	25 km (15.5 miles)
S (Sport mode)		20 km/h (12.4 mph)	25 km/h (15.5 mph)	20 km (12.4 miles)	20 km (12.4 miles)
k (Walk mode)		5 km/h (3.1 mph)	5 km/h (3.1 mph)	25 km (15.5 miles)	25 km (15.5 miles)

* Ranges of Speed Modes: tested while riding with a full battery, 75 kg (165 lbs) load, 25 °C (77 °F), at the max. speed of each speed mode on average on pavement. **Left Direction Indicator:** When this icon blinks, it indicates that the direction indicators on the left side are turned on.

Right Direction Indicator: When this icon blinks, it indicates that the direction indicators on the right side are turned on.

Error Notification: It indicates that the scooter has detected an error.

Temperature Warning: It indicates that the battery temperature has reached 55°C (131°F) or is below 0°C (32°F).

* At this point, the scooter cannot accelerate normally and may not be charged. Do not use until the temperature has reverted to the normal range.

Bluetooth: It indicates that the scooter has been successfully connected to the mobile device.

Battery Level: The total battery power equals 5 bars.

* The battery power is very low when the first battery bar is red. Please charge your scooter immediately.

Locking Reminder: When the icon lights up, it means the scooter is locked. If abnormal movements are detected, the scooter will start beeping and the tail light will flash.

2 Specifications

	Item	Parameter		
Product	Name	Ninebot KickScooter E2		
	Model	051401E	051401B	051401D
	Length × Width × Height	Approx. 1070 × 445 × 1140 mm (42.1 × 17.5 × 44.9 in)	Approx. 1070 × 473 × 1140 mm (42.1 × 18.6 × 44.9 in)	
	Folded: Length × Width × Height	Approx. 1070 × 445 × 504 mm (42.1 × 17.5 × 19.8 in)	Approx. 1070 × 473 × 504 mm (42.1 × 18.6 × 19.8 in)	
	Net Weight	Approx. 15 kg (33.1 lbs)	Approx. 15.1 kg (33.3 lbs)	
Rider	Max. Payload	90 kg (198 lbs)		
	Recommended Age	14–60 years old		
	Required Height	130–190 cm (4'3"–6'2")		
Machine	Max. Speed	Approx. 20 km/h (12.4 mph)		
	Theoretical Range ^[1]	Approx. 25 km (15.5 miles)		
	Range at Max. Speed ^[2]	Approx. 20 km (12.4 miles)		
	Max. Slope	Approx. 12%		
	Traversable Terrain	Mostly smooth roads or normal asphalt, tarmac roads		
	Operating Temperature	-10–40°C (14–104°F)		
	Storage Temperature	-10–50°C (14–122°F)		
	IP Rating	IPX4		
	Duration of Charging	Approx. 7.5 h		
	Battery	Nominal Voltage	21.6 V ⁼⁼⁼	
Max. Charging Voltage		25.2 V ⁼⁼⁼		
Charging Temperature		0°C–44°C (32–111°F)		
Nominal Energy		220 Wh		
Nominal Capacity		10.2 Ah		
Battery Management System		Protection against overvoltage/undervoltage/short circuit/overcurrent/over temperature		
Motor	Nominal Power	0.25 kW, 250 W		
	Max. power	0.45 kW, 450 W		
Charger	Model	NBW25D201D5N-EU	NBW25D201D5N-US	NBW25D201D5N-EU
	Output Power	36.3 W		
	Input Voltage	100–240 V~ 50–60 Hz		
	Max. Output Voltage	25.2 V ⁼⁼⁼		
	Rated Output	24.2 V ^{±5} A		
Tire	Tires	8.1-inch inner hollow shock-absorbing tires		
Other	Direction Indicators	N/A	Front and rear direction indicators	

[1] Theoretical Range: tested while riding with a full battery, 165 lbs (75 kg) load, 77°F (25°C), 70% of max. speed on average on pavement. **03**

[2] Range at Max. Speed: tested while riding with a full battery, 75 kg (165 lbs) load, 25°C (77°F), at the max. speed on average on pavement. * Some of the factors that affect range include speed, load, number of starts and stops, ambient temperature, etc.

	Item	Parameter	
Product	Name	Ninebot KickScooter E2 Plus	
	Model	051402E	051402B
	Length × Width × Height	Approx. 1070 × 445 × 1140 mm (42.1 × 17.5 × 44.9 in)	
	Folded: Length × Width × Height	Approx. 1070 × 445 × 504 mm (42.1 × 17.5 × 19.8 in)	
	Net Weight	Approx. 15.3 kg (33.7 lbs)	
Rider	Max. Payload	90 kg (198 lbs)	
	Recommended Age	14–60 years old	
	Required Height	130–190 cm (4'3"–6'2")	
Machine	Max. Speed	Approx. 25 km/h (15.5 mph)	
	Theoretical Range ^[1]	Approx. 25 km (15.5 miles)	
	Range at Max. Speed ^[2]	Approx. 20 km (12.4 miles)	
	Max. Slope	Approx. 12%	
	Traversable Terrain	Mostly smooth roads or normal asphalt, tarmac roads	
	Operating Temperature	-10–40°C (14–104°F)	
	Storage Temperature	-10–50°C (14–122°F)	
	IP Rating	IPX4	
	Duration of Charging	Approx. 7.5 h	
	Battery	Nominal Voltage	21.6 V ⁼⁼⁼
Max. Charging Voltage		25.2 V ⁼⁼⁼	
Charging Temperature		0°C–44°C (32–111°F)	
Nominal Energy		220 Wh	
Nominal Capacity		10.2 Ah	
Battery Management System		Protection against overvoltage/undervoltage/short circuit/overcurrent/over temperature	
Motor	Nominal Power	0.3 kW, 300 W	
	Max. power	0.50 kW, 500 W	
Charger	Model	NBW25D201D5N-EU	NBW25D201D5N-US
	Output Power	36.3 W	
	Input Voltage	100–240 V~ 50–60 Hz	
	Max. Output Voltage	25.2 V ⁼⁼⁼	
	Rated Output	24.2 V ^{±5} A	
Tire	Tires	8.1-inch inner hollow shock-absorbing tires	

[1] Theoretical Range: tested while riding with a full battery, 165 lbs (75 kg) load, 77°F (25°C), 70% of max. speed on average on pavement. [2]

Range at Max. Speed: tested while riding with a full battery, 75 kg (165 lbs) load, 25°C (77°F), at the max. speed on average on pavement.

* Some of the factors that affect range include speed, load, number of starts and stops, ambient temperature, etc.

3 Certifications

This product is certified to ANSI/CAN/UL-2272 by TUV Rheinland.

The battery complies with UN/DOT 38.3.

The battery complies with ANSI/CAN/UL-2271.

European Union Compliance Statement Important WEEE information



This symbol on the product or on its packaging indicates that used electrical and electronic products should not be mixed with unsorted municipal waste. For proper treatment, it is your responsibility to dispose of your waste equipment by arranging to return it to designated collection points. Disposing of this product correctly will help save valuable resources and prevent any potential negative effects on human health and the environment, which could otherwise arise from inappropriate waste handling. Penalties may be applicable for incorrect disposal of this waste, in accordance with your national legislation. Please contact your local authority for further details of your nearest designated collection point.

Battery recycling information for Users



This symbol means that batteries and accumulators, at their end-of-life, should not be mixed with unsorted municipal waste. Your participation is an important part of the effort to minimize the impact of batteries and accumulators on the environment and on human health. For proper recycling you can return this product or the batteries or accumulators it contains to your supplier or to a designated collection point. Disposing of this product correctly will help save valuable resources and prevent any potential negative effects on human health and the environment, which could otherwise arise from inappropriate waste handling. Penalties may be applicable for incorrect disposal of this waste, in accordance with your national legislation, there are separate collection systems for used batteries and accumulators. Please, dispose of batteries and accumulators correctly at your local community waste collection/recycling center.

Radio Equipment Directive

Ninebot (Changzhou) Tech Co., Ltd. hereby declares that the product listed in this section comply with the essential requirements and other relevant provisions of the Radio Equipment Directive 2014/53/EU.

Restriction of the use of certain hazardous substances (RoHS) Directive Ninebot (Changzhou) Tech Co., Ltd. hereby declares the whole product including parts (cables, cords, and so on)

meets the requirements of RoHS Directive 2011/65/EU and amendment Commission Delegated Directive (EU) 2015/863 on the restriction of the use of certain hazardous substances in electrical and electronic equipment ("RoHS recast" or "RoHS 2.0").

Machinery Directive

Ninebot (Changzhou) Tech Co., Ltd. hereby declares that the product listed in this section comply with the essential requirements and other relevant provisions of the Machinery Directive 2006/42/EC.



EU Authorised Representative:

Segway-Ninebot Europe

Dynamostraat 7, 1014 BN Amsterdam, The Netherlands.

Ninebot (Changzhou) Tech Co., Ltd. hereby declares that the product model: 051401E, 051401B, 051401D, 051402E, 051402B comply with the essential requirements and other relevant provisions of the Radio Equipment Directive 2014/53/EU, the machinery directive 2006/42/EC, and the RoHS Directive 2011/65/EU and amendment Commission Delegated Directive (EU) 2015/863.

The declaration of conformity can be viewed at the following address:

<https://eu-en.segway.com/instruction-manuals>

UK Compliance Statement

Radio Equipment Regulations 2017

Ninebot (Changzhou) Tech Co., Ltd. hereby declares that the product listed in this section comply with the essential requirements and other relevant provisions of Radio Equipment Regulations 2017.

The Restriction of the Use of Certain Hazardous Substances in Electrical and Electronic Equipment Regulations 2012

Ninebot (Changzhou) Tech Co., Ltd. hereby declares the whole product including parts (cables, cords, and so on) meets the requirements of The Restriction of the Use of Certain Hazardous Substances in Electrical and Electronic Equipment Regulations 2012.

Supply of Machinery (Safety) Regulations 2008

Ninebot (Changzhou) Tech Co., Ltd. hereby declares that the product listed in this section comply with the essential requirements and other relevant provisions of The Safety of Supply of Machinery (Safety) Regulations 2008.



UK Authorised Representative:

UKCA Experts Ltd.

Dept 302, 43 Owston Road Carcroft, Doncaster, DN6 8DA, United Kingdom

Ninebot (Changzhou) Tech Co., Ltd. hereby declares that the product model: 051401B, 051402B comply with the essential requirements and other relevant provisions of the Radio Equipment Regulations 2017, Supply of Machinery (Safety) Regulations 2008 and the Restriction of the Use of Certain Hazardous Substances in Electrical and Electronic Equipment Regulations 2012.

The declaration of conformity can be viewed at the following address: www.segway.com

Bluetooth	Frequency Band(s)	2.4000-2.4835GHz
	Max. RF Power	1mW

4 Trademark

Ninebot is the trademark of Ninebot (Beijing) Tech Co., Ltd; Segway and the Rider Design are the registered trademarks of Segway Inc., App Store and Apple Logo are trademarks of Apple Inc. Google Play and the Google Play logo are trademarks of Google LLC. The Bluetooth® word mark and logos are registered trademarks owned by Bluetooth SIG, Inc. and any use of such marks by Segway-Ninebot is under license. Other trademarks and trade names are those of their respective owners. The KickScooter is covered by relevant patents. For patent information, go to <http://www.segway.com>

We have attempted to include descriptions and instructions for all the functions of the KickScooter at the time of printing. However, due to constant improvement of product features and changes of design, your KickScooter may differ slightly from the one shown in this document. Scan the QR code or visit the Apple App Store (iOS) or the Google Play Store (Android) to download and install the App.

Please note that there are multiple Segway and Ninebot models with different functions, and some of the functions mentioned herein may not be applicable to your unit. The manufacturer reserves the right to change the design and functionality of the KickScooter product and documentation without prior notice.

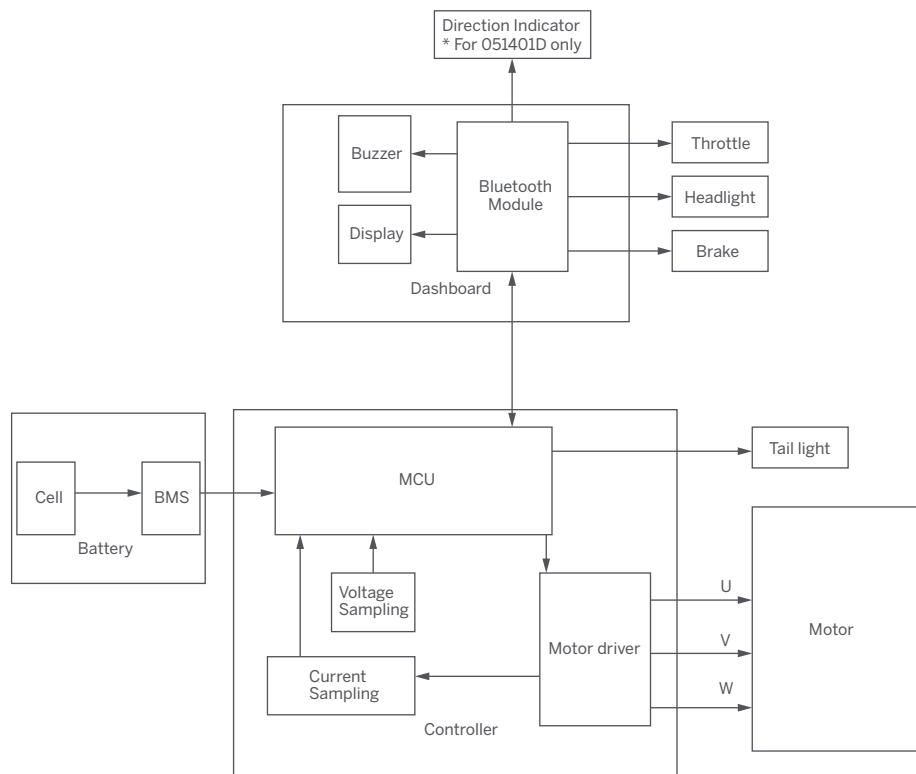
© 2023 Ninebot (Beijing) Tech Co. Ltd. All rights reserved.

(※ The Segway-Ninebot App can support KickScooter with built-in Bluetooth)

5 Common Failures

Error code	Possible causes	Solution
10	Bluetooth communication failure	Check the connection of the dashboard communication wire and the control cable, or contact after-sales service or an authorized dealer.
11	Abnormal 1A phase current sampling of motor	Please contact after-sales service or an authorized dealer.
12	Abnormal 1B phase current sampling of motor	
13	Abnormal 1C phase current sampling of motor	
14	Abnormal throttle hall sampling	Check whether the throttle is pressed when powered on, or contact after-sales service or an authorized dealer.
15	Abnormal brake hall sampling	Check whether the breke lever is squeezed when powered on, or contact after-sales service or an authorized dealer.
24	Abnormal default voltage	Check whether the wire connected with the battery cable and the controller is loose, or contact after-sales service or an authorized dealer.
26	Abnormal data writing/reading	Please contact after-sales service or an authorized dealer.
31	Incorrect FLASH operation	
35	Default S/N	Check whether the KickScooter's S/N is the default S/N.
39	Abnormal battery temperature	Check the working environment of battery, or contact after-sales service or an authorized dealer.
40	Abnormal controller temperature	Controller temperature is too high, please contact after-sales service or an authorized dealer.
41	Abnormal motor temperature	Please contact after-sales service or an authorized dealer.
42	Motor not calibrated	
45	Abnormal bus current sampling	
50	Motor phase loss	Check whether the wire connected with the motor and the controller is loose, or contact after-sales service or an authorized dealer.
52	Motor stalled	Check whether the KickScooter is overload, or contact after-sales service or an authorized dealer.

6 Wiring Diagram



7 Recommended Maintenance Schedule

To ensure safe riding, day to day care and regular maintenance are essential. You, the owner, have "control" and "knowledge" of how "often" you use your scooter, "how hard" you use it and "where" you use it. It is the owner's responsibility to perform regular checks and bring your scooter to authorized service center for inspection and service. Please refer to the maintenance schedule below.

Note: This maintenance schedule charges a service fee.

Item	Component	Maintenance Method	Every 6 months or Every 3 months	Every 310 miles (500 km)	After 2 years or the total mileage > 3107 miles (5000 km)
Mainframe maintenance	Mainframe parts	Use a soft, wet cloth to wipe the mainframe clean.	o	o	o
	Tire wear	Check if the tires are cracked, deformed, or significantly worn.		o	o
	Screws on the stem top	Tighten the six screws fixed with the handlebar and the stem. The suggested torque is 5.5 ± 0.3 N·m. Tighten the screw on the throttle. The suggested torque is 2 ± 0.1 N·m. Tighten the screws on the brake levers. The suggested torque is 5 ± 0.1 N·m. Tighten the screws on the stem top. The suggested torque is 2 ± 0.1 N·m.	o	o	o
Function Inspection	Hub motor	To accelerate and decelerate, check if the hub motor is stalled or has abnormal sounds.		o	o
	Rear wheel maintenance	Check if the rear wheel is stalled or gets shaky, or the axis shaft is unbalanced.		o	o
	Drum Brake	1) Spin the rear wheel, it spins normally. The rear wheel shall not stuck or make abnormal sounds. Note: Slight noise does not affect riding safety. But if the drum brake makes a loud noise when you apply brakes, please contact customer service for support. 2) Squeeze the brake lever, the rear wheel stops moving.		o	o

Item	Component	Maintenance Method	Every 6 months or Every 3 months	Every 3 months or every 310 miles (500 km)	After 2 years or the total mileage > 3107 miles (5000 km)
Function Inspection	Headlight	Check the headlight and see if it lights brightly.		o	o
	Direction indicators * For 051401D only	Toggle the direction indicator switch to the left/right respectively, check if the direction indicators on the left/right side flash normally.		o	o
	Dashboard	Power on the scooter, the dashboard works properly.		o	o
	Throttle	Press and hold the throttle, then release it, checking for acceleration and deceleration.		o	o
	Fault detection	After connecting with the Segway-Ninebot app: 1) Update the firmware to the latest version. 2) Check if the notification of the corresponding error code and possible causes will prompt when the scooter detects an error.		o	o
	Charging	Charge the scooter: 1) Check if the current battery power displays on the dashboard. 2) Check the LED indicator on the battery charger. Charging: red, Fully charged: green.		o	o
	Buttons	Press or toggle the button 3 times without failure.		o	o
	Steering	Test with left turns and right turns (the steering angle is 60). No resistance or lag when turning.		o	o
Important parts	Battery assembly	The battery need to be replaced when it is charged and discharged for 500 times or the total mileage is more than 6213 miles (10000 km). Note: It is recommended to charge once every 60 days for long-term storage.			o
	Controller	It is required that original Segway-Ninebot parts shall be used for repairs and replacements.			
	Hub motor				

Item	Component	Maintenance Method	Every 6 months or Every 3 months	Every 3 months or every 310 miles (500 km)	After 2 years or the total mileage > 3107 miles (5000 km)
Functional parts	Rear wheel assembly	It is required that original Segway-Ninebot parts shall be used for repairs and replacements.			
	Throttle & Brake levers				
	Front fork assembly				o
	Folding mechanism				
	Drum brake assembly				
	Dashboard				

1 Diagramme

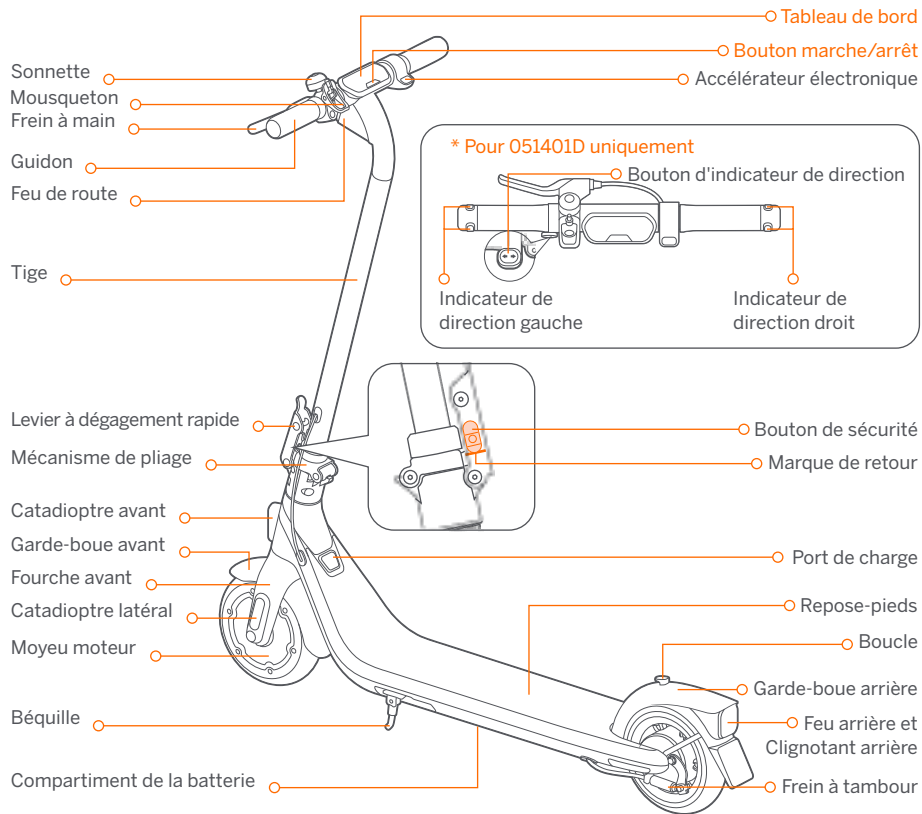
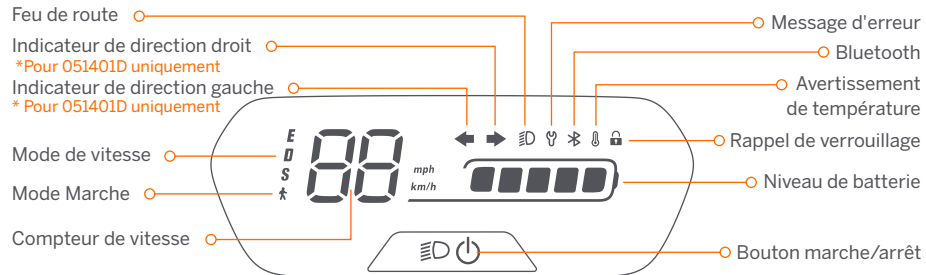


Tableau de bord & bouton marche/arrêt



Bouton marche/arrêt : Appuyez sur le bouton pour allumer le scooter ; appuyez et maintenez le bouton pendant 2 secondes pour l'éteindre. Lorsque le scooter est allumé, appuyez sur le bouton pour allumer/éteindre le feu de route et le feu arrière, et appuyez deux fois pour basculer entre les modes de vitesse. Appuyez cinq fois pour changer l'unité entre km/h et mph. **Compteur de vitesse** : Il affiche la vitesse actuelle du scooter, ainsi que les codes d'erreur.

Mode Marche : Le feu de route et le feu arrière sont toujours allumés et ne peuvent pas être éteints.

Mode de vitesse : 4 modes sont disponibles. La vitesse maximale est la suivante :

Mode	Modèle	Limite de vitesse E2	Limite de vitesse E2 Plus	Autonomie E2*	Autonomie E2 Plus*
E (mode économie d'énergie)		15 km/h (9,3 mph)	15 km/h (9,3 mph)	25 km (15,5 miles)	25 km (15,5 miles)
D (Mode Standard)		20 km/h (12,4 mph)	20 km/h (12,4 mph)	20 km (12,4 miles)	25 km (15,5 miles)
S (Mode Sport)		20 km/h (12,4 mph)	25 km/h (15,5 mph)	20 km (12,4 miles)	20 km (12,4 miles)
† (Mode Marche)		5 km/h (3,1 mph)	5 km/h (3,1 mph)	25 km (15,5 miles)	25 km (15,5 miles)

*Autonomies des modes de vitesse : Testées avec une batterie pleine, une charge de 75 kg (165 lbs), à 25 °C (77 °F), à la vitesse maximale de chaque mode de vitesse en moyenne sur chaussée.

Indicateur de direction gauche : Lorsque cette icône clignote, cela indique que les indicateurs de direction sur le côté gauche sont allumés.

Indicateur de direction droite : Lorsque cette icône clignote, cela indique que les indicateurs de direction sur le côté droit sont allumés.

Message d'erreur : Le symbole indique que le scooter a détecté une erreur.

Avertissement de température : Il indique que la température de la batterie a atteint 55 °C (131 °F) ou est inférieure à 0 °C (32 °F).

*À ce stade, le scooter ne peut pas accélérer normalement et peut ne pas être chargé. Ne pas utiliser tant que la température n'est pas revenue à la normale.

Bluetooth : Cela indique que le scooter a été connecté avec succès à l'appareil mobile.

Niveau de batterie : La puissance totale de la batterie correspond à 5 barres.

* La puissance de la batterie est très faible lorsque la première barre de batterie est rouge. Veuillez recharger votre scooter immédiatement.

Rappel de verrouillage : Lorsque l'icône s'allume, cela signifie que le scooter est verrouillé. Si des mouvements anormaux sont détectés, le scooter commencera à émettre un bip et le feu arrière s'allumera.

2 Spécifications

	Élément	Paramètres		
Produit	Nom	Ninebot KickScooter E2		
	Modèle	051401E	051401B	051401D
	Longueur × Largeur × Hauteur	Environ 1070 × 445 × 1140 mm (42,1 × 17,5 × 44,9 po)	Environ 1070 × 473 × 1140 mm (42,1 × 18,6 × 44,9 po)	
	Plié : Longueur × Largeur × Hauteur	Environ 1070 × 445 × 504 mm (42,1 × 17,5 × 19,8 po)	Environ 1070 × 473 × 504 mm (42,1 × 18,6 × 19,8 po)	
	Poids net	Environ 15 kg (33,1 lb)	Environ 15,1 kg (33,3 lb)	
Conducteur	Charge utile maximale :	90 kg (198 lb)		
	Âge recommandé	14 à 60 ans		
	Hauteur requise	130 - 190 cm (4'3" - 6'2")		
Machine	Vitesse maximale	Environ. 20 km/h (12,4 mi/h)		
	Autonomie théorique ^[1]	Environ. 25 km (15,5 miles)		
	Autonomie en vitesse max. ^[2]	Environ. 20 km (12,4 miles)		
	Pente maximale	Environ 12 %		
	Terrain traversable	Routes principalement lisses ou asphalte normal, routes goudronnées		
	Température de fonctionnement	-10 à 40 °C (14 à 104°F)		
	Température de stockage	-10 à 50 °C (14 à 122 °F)		
	Protection IP	IPX4		
Batterie	Durée de charge	Environ 7,5 h		
	Tension nominale	21,6 V ===		
	Tension de charge max.	25,2 V ===		
	Température de charge	0 °C à 44 °C (32 à 111 °F)		
	Énergie nominale	220 Wh		
	Capacité nominale	10,2 Ah		
	Système de gestion de batterie	Protection contre les surtensions/sous-tensions/court-circuit/surintensité/surchauffe		
Moteur	Puissance nominale	0,25 kW, 250 W		
	Puissance max.	0,45 kW, 450 W		
Chargeur	Modèle	NBW25D201D5N-EU NBW25D201D5N-US NBW25D201D5N-EU		
	Puissance de sortie	36,3 W		
	Tension d'entrée	100 à 240 V ~ 50 à 60 Hz		
	Tension de sortie max.	25,2 V ===		
	Puissance nominale	24,2 V ~ 5 A		
Pneu	Pneus	Pneus intérieurs creux absorbant les chocs de 8,1 pouces		
Autre	Indicateurs de direction	N/A	Indicateurs de direction avant et arrière	

	Élément	Paramètres	
Produit	Nom	Ninebot KickScooter E2 Plus	
	Modèle	051402E	051402B
	Longueur × Largeur × Hauteur	Environ 1070 × 445 × 1140 mm (42,1 × 17,5 × 44,9 po)	
	Plié : Longueur × Largeur × Hauteur	Environ 1070 × 445 × 504 mm (42,1 × 17,5 × 19,8 po)	
	Poids net	Environ 15,3 kg (33,7 lb)	
Conducteur	Charge utile maximale :	90 kg (198 lb)	
	Âge recommandé	14 à 60 ans	
	Hauteur requise	130 - 190 cm (4'3" - 6'2")	
Machine	Vitesse maximale	Environ. 25 km/h (15,5 mi/h)	
	Autonomie théorique ^[1]	Environ. 25 km (15,5 miles)	
	Autonomie en vitesse max. ^[2]	Environ. 20 km (12,4 miles)	
	Pente maximale	Environ 12 %	
	Terrain traversable	Routes principalement lisses ou asphalte normal, routes goudronnées	
	Température de fonctionnement	-10 à 40 °C (14 à 104°F)	
	Température de stockage	-10 à 50 °C (14 à 122 °F)	
	Protection IP	IPX4	
Batterie	Durée de charge	Environ 7,5 h	
	Tension nominale	21,6 V ===	
	Tension de charge max.	25,2 V ===	
	Température de charge	0 °C à 44 °C (32 à 111 °F)	
	Énergie nominale	220 Wh	
	Capacité nominale	10,2 Ah	
	Système de gestion de batterie	Protection contre les surtensions/sous-tensions/court-circuit/surintensité/surchauffe	
Moteur	Puissance nominale	0,3 kW, 300 W	
	Puissance max.	0,50 kW, 500 W	
Chargeur	Modèle	NBW25D201D5N-EU	NBW25D201D5N-US
	Puissance de sortie	36,3 W	
	Tension d'entrée	100 à 240 V ~ 50 à 60 Hz	
	Tension de sortie max.	25,2 V ===	
Pneu	Pneus	Pneus intérieurs creux absorbant les chocs de 8,1 pouces	

[1] : Autonomie théorique : testée pendant la conduite avec la batterie pleine, chargement de 75 kg (165 lbs), 25 °C (77 °F), 70 % de la vitesse max. moyenne sur trottoir.

[2] : Autonomie en vitesse max.: Testée en roulant avec une batterie pleine, une charge de 75 kg (165 lbs), 25°C (77°F), à la vitesse maximale en moyenne sur chaussée. * Certains des facteurs qui influent sur la plage d'autonomie comprennent : la vitesse, le nombre de démarrages et d'arrêts, la température ambiante, etc.

[1] : Autonomie théorique : testée pendant la conduite avec la batterie pleine, chargement de 75 kg (165 lbs), 25 °C (77 °F), 70 % de la vitesse max. moyenne sur trottoir.
 [2] : Autonomie en vitesse max.: Testée en roulant avec une batterie pleine, une charge de 75 kg (165 lbs), 25°C (77°F), à la vitesse maximale en moyenne sur chaussée. * Certains des facteurs qui influent sur la plage d'autonomie comprennent : la vitesse, le nombre de démarrages et d'arrêts, la température ambiante, etc.

3 Certifications

Ce produit est certifié ANSI/CAN/UL-2272 par TUV Rheinland.

La batterie est conforme à NU/DOT 38,3

La batterie est conforme à la norme ANSI/CAN/UL 2271.

Déclaration de conformité de l'Union européenne Informations importantes sur les DEEE



Ce symbole sur le produit ou sur son emballage indique que les produits électriques et électroniques usagés ne doivent pas être mélangés avec les déchets ménagers non triés. Pour un traitement approprié, il est de votre responsabilité d'éliminer vos déchets d'équipements en prenant des dispositions pour les rapporter aux points de collecte désignés. L'élimination correcte de ce produit contribuera à économiser des ressources précieuses et à prévenir tout effet négatif potentiel sur la santé humaine et l'environnement, qui pourrait autrement résulter d'un traitement inapproprié des déchets. Des sanctions peuvent être applicables en cas d'élimination incorrecte de ces déchets, conformément à votre législation nationale.

Veuillez contacter votre autorité locale pour plus de détails sur le point de collecte désigné le plus proche.

Informations sur le recyclage de la batterie pour les utilisateurs



Ce symbole signifie que les piles et accumulateurs, en fin de vie, ne doivent pas être mélangés avec les déchets municipaux non triés. Votre participation est une part importante de l'effort visant à minimiser l'impact des piles et accumulateurs sur l'environnement et sur la santé humaine. Pour un recyclage approprié, vous pouvez retourner ce produit ou les piles ou accumulateurs qu'il contient à votre fournisseur ou à un point de collecte désigné, ce qui est gratuit. L'élimination correcte de ce produit contribuera à économiser des ressources précieuses et à prévenir tout effet négatif potentiel sur la santé humaine et l'environnement, qui pourrait autrement résulter d'un traitement inapproprié des déchets. Des sanctions peuvent être applicables en cas d'élimination incorrecte de ces déchets, conformément à votre législation nationale.

Il existe des systèmes de collecte séparés pour les piles et accumulateurs usagés.

Veuillez éliminer correctement les piles et accumulateurs dans votre centre local de collecte/recyclage des déchets.

Directive sur les équipements radio

Ninebot (Changzhou) Tech Co., Ltd. déclare par la présente que le produit répertorié dans cette section est conforme aux exigences essentielles et aux autres dispositions pertinentes de la directive sur les équipements radio 2014/53/UE.

Directive sur la limitation de l'utilisation de certaines substances dangereuses (RoHS) Ninebot (Changzhou) Tech Co., Ltd. déclare par la présente que l'ensemble du produit, y compris les pièces (câbles, cordons, etc.) est conforme aux exigences de la directive RoHS 2011/65/UE et de l'amendement à la directive déléguée de la Commission (UE) 2015/863 sur la restriction de l'utilisation de certaines substances dangereuses dans les équipements électriques et électroniques (« Refonte RoHS » ou « RoHS 2.0 »).

Directive Machines

Ninebot (Changzhou) Tech Co., Ltd. déclare par la présente que le produit répertorié dans cette section est conforme aux exigences essentielles et aux autres dispositions pertinentes de la directive sur les machines 2006/42/CE.



Représentant autorisé :

Segway-Ninebot Europe

Dynamostraat 7, 1014 BN Amsterdam, Pays-Bas.

Ninebot (Changzhou) Tech Co., Ltd. déclare par la présente que le modèle de produit : 051401E, 051401B, 051401D,

051402E, 051402B sont conformes aux exigences essentielles et aux autres dispositions pertinentes de la directive sur les équipements radio 2014/53/UE, de la directive sur les machines 2006/42/CE et de la directive RoHS 2011/65/UE et de la modification de la directive déléguée de la Commission (UE) 2015/863.

La déclaration de conformité est consultable à l'adresse suivante :

<https://eu-en.segway.com/instruction-manuals>

Déclaration de conformité au Royaume-Uni

Règlement sur les équipements radio 2017

Ninebot (Changzhou) Tech Co., Ltd. déclare par la présente que le produit répertorié dans cette section est conforme aux exigences essentielles et aux autres dispositions pertinentes de la directive sur les équipements radio 2017.

Règlement de 2012 sur la restriction de l'utilisation de certaines substances dangereuses dans les équipements électriques et électroniques

Ninebot (Changzhou) Tech Co., Ltd. déclare par la présente que l'ensemble du produit, y compris les pièces (câbles, cordons, etc.), est conforme aux exigences de la réglementation de 2012 sur la restriction de l'utilisation de certaines substances dangereuses dans les équipements électriques et électroniques.

Règlement de 2008 sur la fourniture de machines (sécurité)

Ninebot (Changzhou) Tech Co., Ltd. déclare par la présente que le produit répertorié dans cette section est conforme aux exigences essentielles et aux autres dispositions pertinentes du Règlement de 2008 sur la fourniture de machines (sécurité).



Représentant autorisé au Royaume-Uni :

UKCA Experts Ltd.

Dept 302, 43 Owston Road Carcroft, Doncaster, DN6 8DA, Royaume-Uni

Ninebot (Changzhou) Tech Co., Ltd. déclare par la présente que le modèle de produit : 051401B, 051402B sont conformes aux exigences essentielles et aux autres dispositions pertinentes des réglementations sur les équipements radio de 2017, des réglementations sur la fourniture de machines (sécurité) de 2008 et des réglementations sur la restriction de l'utilisation de certaines substances dangereuses dans les équipements électriques et électroniques de 2012.

La déclaration de conformité est consultable à l'adresse suivante : www.segway.com

Bluetooth	Bande(s) de fréquence	2,4000 - 2,4835 GHz
	Puissance radio max.	1 mW

4 Marque déposée

Ninebot est la marque de Ninebot (Beijing) Tech Co., Ltd ; Segway et le Rider Design sont des marques déposées de Segway Inc., App Store et le logo Apple sont des marques d'Apple Inc. Google Play et le logo Google Play sont des marques de Google LLC. La marque verbale et les logos Bluetooth® sont des marques déposées appartenant à Bluetooth SIG, Inc. et toute utilisation de ces marques par Segway-Ninebot se fait sous licence. Les autres marques et noms commerciaux appartiennent à leurs propriétaires respectifs.

Le KickScooter est couvert par les brevets appropriés. Pour obtenir des renseignements sur les brevets, rendez-vous sur <http://www.segway.com>.

Nous nous sommes efforcés d'inclure des descriptions et des instructions pour toutes les fonctions du KickScooter au moment de l'impression. Cependant, en raison de l'amélioration constante des fonctionnalités de l'appareil et des modifications de conception, votre KickScooter peut différer légèrement de celui présenté dans ce document. Scannez le QR code ou visitez l'Apple App Store (iOS) ou le Google Play Store (Android) pour télécharger et installer l'application.

Veuillez noter qu'il existe plusieurs modèles Segway et Ninebot ayant différentes fonctions et certaines des fonctions mentionnées ici peuvent ne pas concerner votre appareil. Le fabricant se réserve le droit de modifier la conception et les fonctionnalités du produit et de la documentation KickScooter sans préavis.

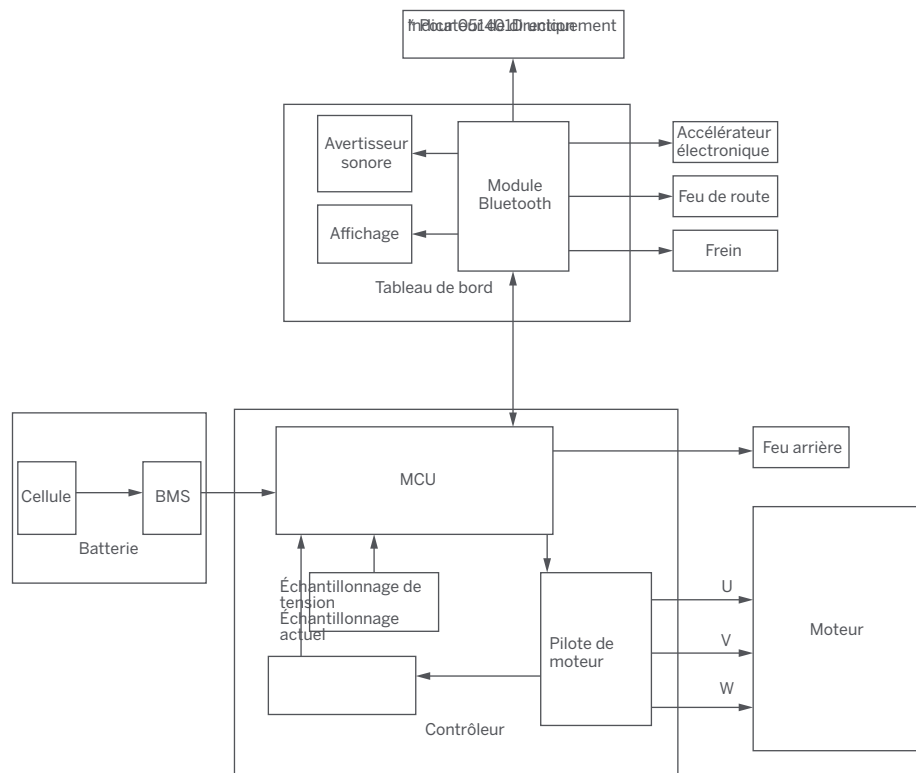
© 2023 Ninebot (Beijing) Tech Co., Ltd. Tous droits réservés.

(※L'application Segway-Ninebot peut prendre en charge le KickScooter avec Bluetooth intégré)

5 Échecs courants

Code	Causes possibles	Solution
10	Échec de la communication Bluetooth	Vérifiez la connexion du câble de communication du tableau de bord et du câble de commande, ou contactez le service après-vente ou un revendeur agréé.
11	Échantillonnage anormal du courant de phase 1A du moteur	Veuillez contacter le service après-vente ou un revendeur agréé.
12	Échantillonnage anormal du courant de phase 1B du moteur	
13	Échantillonnage anormal du courant de phase 1C du moteur	
14	Échantillonnage anormal du capteur Hall de l'accélérateur électronique	Vérifiez si l'accélérateur électronique est enfoncé lors de la mise sous tension ou contactez le service après-vente ou un revendeur agréé.
15	Échantillonnage anormal du capteur Hall de freinage	Vérifiez si le levier de frein est serré lors de la mise sous tension ou contactez le service après-vente ou un revendeur agréé.
24	Tension par défaut anormale	Vérifiez si le câble connecté au câble de communication de la batterie et au contrôleur est desserré, ou contactez le service après-vente ou un revendeur agréé.
26	Écriture/lecture de données anormale	Veuillez contacter le service après-vente ou un revendeur agréé.
31	Opération FLASH erronée	
35	S/N par défaut	Vérifiez si le S/N du KickScooter est le S/N par défaut.
39	Température de batterie anormale	Vérifiez l'environnement de fonctionnement de la batterie ou contactez le service après-vente ou un revendeur agréé.
40	Température anormale du contrôleur	La température du contrôleur est trop élevée, veuillez contacter le service après-vente ou un revendeur agréé.
41	Température anormale du moteur	Veuillez contacter le service après-vente ou un revendeur agréé.
42	Moteur non calibré	
45	Échantillonnage de courant de fil mère anormal	
50	Perte de phase moteur	Vérifiez si le câble connecté au moteur et au contrôleur est desserré, ou contactez le service après-vente ou un revendeur agréé.
52	Moteur calé	Vérifiez si le KickScooter est surchargé ou contactez le service après-vente ou un revendeur agréé.

6 Schéma de câblage



7 Calendrier d'entretien recommandé

Afin d'assurer une conduite en toute sécurité, un soin quotidien et un entretien régulier sont essentiels. En tant que propriétaire, vous avez le contrôle et la connaissance de la fréquence à laquelle vous utilisez votre scooter, de l'intensité avec laquelle vous l'utilisez et de l'endroit où vous l'utilisez. Il est de la responsabilité du propriétaire d'effectuer des vérifications régulières et d'apporter votre scooter au centre de service agréé pour inspection et entretien. Veuillez vous référer au calendrier d'entretien ci-dessous.

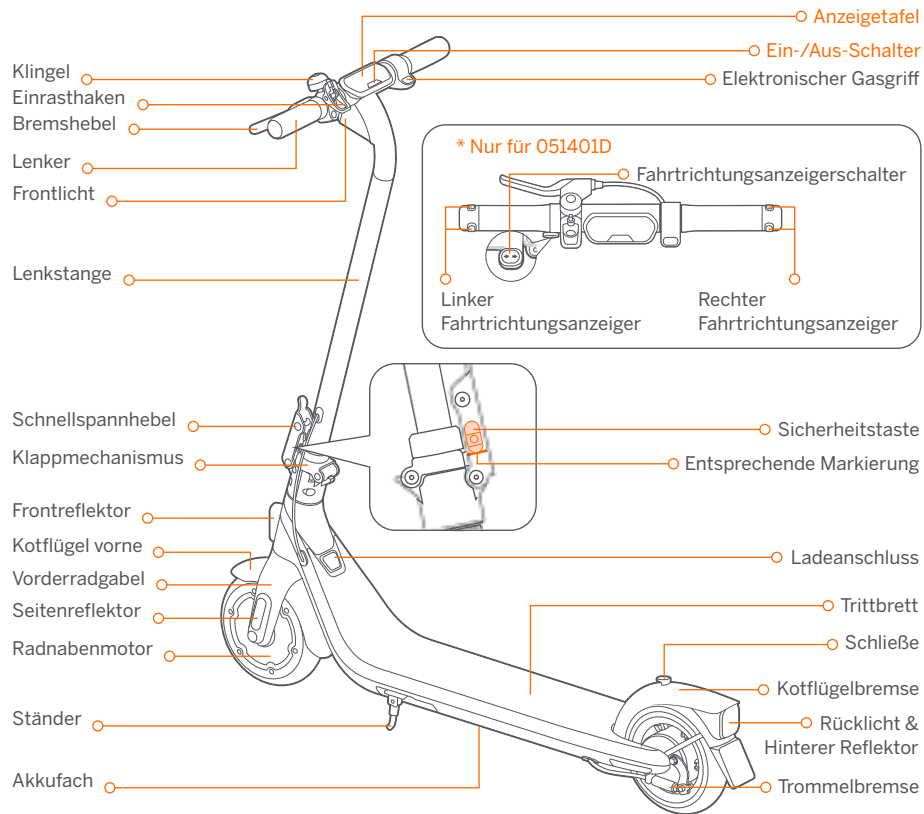
Remarque : Ce calendrier d'entretien entraîne des frais de service.

Élément	Composant	Méthode d'entretien	Tous les 6 mois ou Tous les 500 km (310 miles)	Après 6 mois ou Tous les 3000 km (1860 miles)	Après 2 ans ou apr avoir atteint un kilométrage total 5000 km (3107 mil
Maintenance du cadre	Pièces du cadre	Utilisez un chiffon doux et humide pour essuyer le châssis principal pour le nettoyer.	✓	✓	✓
	Usure des pneus	Vérifiez si les pneus sont fissurés, déformés ou très usés.		✓	✓
	Vis sur le dessus de la tige	Serrez les six vis fixées au guidon et à la tige. Le couple suggéré est de $5,5 \pm 0,3$ N·m.	✓	✓	✓
		Serrez la vis sur l'accélérateur électronique. Le couple suggéré est de $2 \pm 0,1$ N·m. Serrez les vis sur les leviers de frein. Le couple suggéré est de $5 \pm 0,1$ N·m. Serrez les vis sur le dessus de la tige. Le couple suggéré est de $2 \pm 0,1$ N·m.		✓	✓
Contrôle des fonctions	Moyeu moteur	Pour accélérer et décélérer, vérifiez si le moyeu moteur est bloqué ou émet des sons anormaux.		✓	✓
	Entretien de la roue arrière	Vérifiez si la roue arrière est bloquée ou tremble, ou si l'arbre de l'axe est déséquilibré.		✓	✓
	Frein à tambour	1) Faites tourner la roue arrière, elle tourne normalement. La roue arrière ne doit pas se coincer ou faire de bruits anormaux. Remarque : un léger bruit n'affecte pas la sécurité de conduite. Mais si le frein à tambour fait un bruit fort lorsque vous utilisez les freins, veuillez contacter le service client pour obtenir de l'aide. 2) Appuyez sur le levier de frein, la roue arrière s'immobilise.		✓	✓

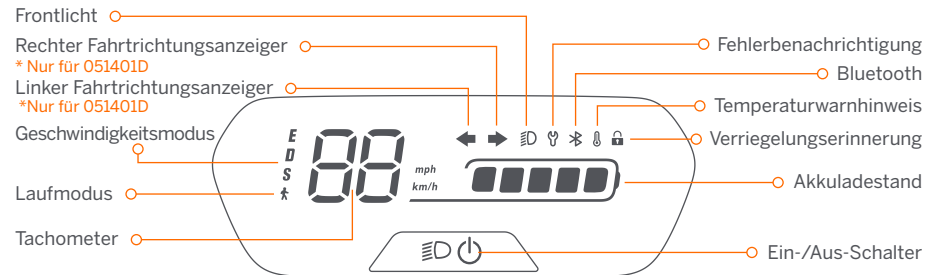
Élément	Composant	Méthode d'entretien	Tous les 6 mois ou tous les 500 km (310 miles)	Tous les 3 mois ou 310 km (193 miles)	Après 2 ans ou après avoir atteint un kilométrage total de 5000 km (3107 mil)
Contrôle des fonctions	Feu de route	Vérifiez le feu de route et voyez s'il s'allume bien.		✓	✓
	Indicateurs de direction * Pour 051401D uniquement	Basculez le bouton d'indication de direction vers la gauche/droite respectivement, vérifiez si les indicateurs de direction du côté gauche/droit clignotent normalement.		✓	✓
	Tableau de bord	Allumez le scooter, le tableau de bord fonctionne correctement.		✓	✓
	Accélérateur électronique	Appuyez et maintenez l'accélérateur électronique, puis relâchez-le, en vérifiant l'accélération et la décélération.		✓	✓
	Détection de panne	Après connexion avec l'application Segway-Ninebot : 1) Mettez à jour le firmware vers la dernière version. 2) Vérifiez si la notification du code d'erreur correspondant et des causes possibles s'affiche lorsque le scooter détecte une erreur.		✓	✓
	Charge	Chargez le scooter : 1) Vérifiez si la puissance actuelle de la batterie s'affiche sur le tableau de bord. 2) Vérifiez l'indicateur LED sur le chargeur de batterie. Charge : rouge, complètement chargé : vert.		✓	✓
	Boutons	Appuyez ou actionnez le bouton 3 fois sans échec.		✓	✓
	Pilotage	Testez avec des virages à gauche et des virages à droite (l'angle de braquage est de 60 °C). Pas de résistance ni de décalage lors des virages.		✓	✓
Pièces importantes	Batterie	La batterie doit être remplacée lorsqu'elle est chargée et déchargée 500 fois ou que le kilométrage total est supérieur à 10 000 km (6 213 miles). Remarque : Il est recommandé de charger une fois tous les 60 jours pour un stockage à long terme.			✓
	Contrôle Moteur	Il est nécessaire que des pièces d'origine Segway-Ninebot soient utilisées pour les réparations et les remplacements.			

Élément	Composant	Méthode d'entretien	Tous les 3 mois	Tous les 6 mois ou après avoir atteint un kilométrage total de 500 km (310 miles)	Après 2 ans ou après avoir atteint un kilométrage total de 5000 km (3107 miles)
Pièces fonctionnelles	Ensemble roue arrière	Il est nécessaire que des pièces d'origine Segway-Ninebot soient utilisées pour les réparations et les remplacements.			✓
	Leviers d'accélérateur et de frein				
	Ensemble de fourche avant				
	Mécanisme de pliage				
	Ensemble de frein à tambour				
	Tableau de bord				

1 Abbildung



Anzeigetafel & Ein-/Aus-Schalter



Ein-/Aus-Schalter: Drücken Sie den Schalter, um den Roller einzuschalten; halten Sie den Schalter 2 Sekunden lang gedrückt, um ihn auszuschalten. Wenn der Roller eingeschaltet ist, drücken Sie die Taste, um das Frontlicht und das Rücklicht ein-/auszuschalten, und drücken Sie zweimal, um zwischen den Geschwindigkeitsmodi zu wechseln. Fünfmal drücken, um das Gerät zwischen km/h und mph umzuschalten.

Tachometer: Er zeigt die aktuelle Geschwindigkeit des Rollers sowie Fehlercodes an. **Laufmodus:** Das Frontlicht und das Rücklicht sind immer eingeschaltet und können nicht ausgeschaltet werden.

Geschwindigkeitsmodus: Es sind 4 Modi verfügbar. Die Höchstgeschwindigkeit ist wie folgt:

Modus	Modell	Höchstgeschwindigkeit für E2	Höchstgeschwindigkeit für E2 Plus	Reichweiten E2*	Reichweiten E2 Plus*
E (Energiesparmodus)		15 km/h (9.3 mph)	15 km/h (9.3 mph)	25 km (15.5 Meilen)	25 km (15.5 Meilen)
D (Standardmodus)		20 km/h (12.4 mph)	20 km/h (12.4 mph)	20 km (12.4 Meilen)	25 km (15.5 Meilen)
S (Sport-Modus)		20 km/h (12.4 mph)	25 km/h (15.5 mph)	20 km (12.4 Meilen)	20 km (12.4 Meilen)
† (Laufmodus)		5 km/h (3.1 mph)	5 km/h (3.1 mph)	25 km (15.5 Meilen)	25 km (15.5 Meilen)

* Reichweiten der Geschwindigkeitsmodi: Getestet während der Fahrt mit vollem Akku, 75 kg (165 lbs) Last, 25°C (77°F), bei max. Durchschnittsgeschwindigkeit jedes Geschwindigkeitsmodi auf Asphalt. **Linker Fahrtrichtungsanzeiger:** Wenn dieses Symbol blinkt, bedeutet dies, dass die Fahrtrichtungsanzeiger auf der linken Seite eingeschaltet sind. **Rechter Fahrtrichtungsanzeiger:** Wenn dieses Symbol blinkt, bedeutet dies, dass die Fahrtrichtungsanzeiger auf der rechten Seite eingeschaltet sind. **Fehlerbenachrichtigung:** Zeigt an, dass der Roller einen Fehler erkannt hat.

Temperaturwarnhinweis: Zeigt an, dass die Temperatur des Akkus 55 °C (131 °F) erreicht hat oder unter 0 °C (32 °F) liegt. * Zu diesem Zeitpunkt kann der Roller nicht mehr normal beschleunigen und darf nicht mehr geladen werden. Verwenden Sie ihn erst, wenn die Temperatur wieder in den normalen Bereich zurückgegangen ist.

Bluetooth: Zeigt an, dass der Roller erfolgreich mit dem Mobilgerät verbunden wurde.

Akkuladestand: Die Gesamtleistung des Akkus liegt bei 5 Balken. * Die Akkuladung ist sehr gering, wenn der erste Akkubalken rot ist. Bitte laden Sie Ihren Roller sofort auf.

Verriegelungserinnerung: Wenn das Symbol aufleuchtet, bedeutet dies, dass der Roller verriegelt ist. Wenn abnormale Bewegungen festgestellt werden, beginnt der Roller zu piepen und das Rücklicht blinkt.

2 Technische Daten

	Position	Parameter		
Produkt	Name	Ninebot KickScooter E2		
	Modell	051401E	051401B	051401D
	Länge × Breite × Höhe	Ca. 1070 × 445 × 1140 mm (42.1 × 17.5 × 44.9 in)		Ca. 1070 × 473 × 1140 mm (42.1 × 18.6 × 44.9 in)
	Eingeklappt: Länge × Breite × Höhe	Ca. 1070 × 445 × 504 mm (42.1 × 17.5 × 19.8 in)		Ca. 1070 × 473 × 504 mm (42.1 × 18.6 × 19.8 in)
	Nettogewicht	Ca. 15 kg (33.1 lbs)		Ca. 15.1 kg (33.3 lbs)
Fahrer	Max. Traglast	90 kg (198 lbs)		
	Empfohlenes Alter	14-60 Jahre alt		
	Erforderliche Größe	130-190 cm (4'3"-6'2")		
Maschine	Max. Geschwindigkeit	Ca. 20 km/h (12.4 mph)		
	Theoretische Reichweite [1]	Ca. 25 km (15.5 Meilen)		
	Reichweite unter max. Geschwindigkeit [2]	Ca. 20 km (12.4 Meilen)		
	Max. Steigung	Ca. 12 %		
	Befahrbares Terrain	Meistens glatte Straßen oder normaler Asphalt, geteerte Straßen		
	Betriebstemperatur	-10-40 °C (14-104 °F)		
	Lagerungstemperatur	-10-50 °C (14-122 °F)		
	IP-Schutzklasse	IPX4		
Akku	Dauer der Aufladung	Ca. 7,5 h		
	Nennspannung	21,6 V ===		
	Max. Ladespannung	25,2 V ===		
	Ladetemperatur	0-44 °C (32-111 °F)		
	Nennenergie	220 Wh		
	Nennleistung	10,2 Ah		
	BMS (Akkumanagementsystem)	Schutz gegen Überspannung/Unterspannung/Kurzschluss/Überstrom/Übertemperatur		
Motor	Nennleistung	0,25 kW, 250 W		
	Max. Leistung	0,45 kW, 450 W		
Ladegerät	Modell	NBW25D201D5N-EU NBW25D201D5N-US NBW25D201D5N-EU		
	Ausgangsleistung	36,3 W		
	Eingangsspannung	100-240 V ~ 50-60 Hz		
	Max. Ausgangsspannung	25,2 V ===		
	Nennleistung	24,2 V ±5 A		
Reifen	Reifen	8,1-Zoll-Innenhohlraumreifen mit stoßdämpfender Wirkung		
Sonstiges	Fahrtrichtungsanzeiger	N/V Vordere und hintere Fahrtrichtungsanzeiger		

[1]: Theoretische Reichweite: Getestet während der Fahrt mit vollem Akku, einer Last von 75 kg (165 lbs), bei 25 °C (77 °F), 70 % der maximalen Durchschnittsgeschwindigkeit auf Asphalt. [2]: Reichweite unter max. Geschwindigkeit: Getestet während der Fahrt mit vollem Akku, 75 kg (165 lbs) Last, 25 °C (77 °F), max. Durchschnittsgeschwindigkeit auf Asphalt.

* Einige der Faktoren, die die Reichweite beeinflussen, sind Geschwindigkeit, Last, Anzahl der Starts und Stopps, Umgebungstemperatur usw.

	Position	Parameter	
Produkt	Name	Ninebot KickScooter E2 Plus	
	Modell	051402E	051402B
	Länge × Breite × Höhe	Ca. 1070 × 445 × 1140 mm (42.1 × 17.5 × 44.9 in)	
	Eingeklappt: Länge × Breite × Höhe	Ca. 1070 × 445 × 504 mm (42.1 × 17.5 × 19.8 in)	
	Nettogewicht	Ca. 15.3 kg (33.7 lbs)	
Fahrer	Max. Traglast	90 kg (198 lbs)	
	Empfohlenes Alter	14-60 Jahre alt	
	Erforderliche Größe	130-190 cm (4'3"-6'2")	
Maschine	Max. Geschwindigkeit	Ca. 25 km/h (15.5 mph)	
	Theoretische Reichweite [1]	Ca. 25 km (15.5 Meilen)	
	Reichweite unter max. Geschwindigkeit [2]	Ca. 20 km (12.4 Meilen)	
	Max. Steigung	Ca. 12 %	
	Befahrbares Terrain	Meistens glatte Straßen oder normaler Asphalt, geteerte Straßen	
	Betriebstemperatur	-10-40 °C (14-104 °F)	
	Lagerungstemperatur	-10-50 °C (14-122 °F)	
	IP-Schutzklasse	IPX4	
Akku	Dauer der Aufladung	Ca. 7,5 h	
	Nennspannung	21,6 V ===	
	Max. Ladespannung	25,2 V ===	
	Ladetemperatur	0-44 °C (32-111 °F)	
	Nennenergie	220 Wh	
	Nennleistung	10,2 Ah	
	BMS (Akkumanagementsystem)	Schutz gegen Überspannung/Unterspannung/Kurzschluss/Überstrom/Übertemperatur	
Motor	Nennleistung	0,3 kW, 300 W	
	Max. Leistung	0,50 kW, 500 W	
Ladegerät	Modell	NBW25D201D5N-EU	NBW25D201D5N-US
	Ausgangsleistung	36,3 W	
	Eingangsspannung	100-240 V ~ 50-60 Hz	
	Max. Ausgangsspannung	25,2 V ===	
	Nennleistung	24,2 V ±5 A	
Reifen	Reifen	8,1-Zoll-Innenhohlraumreifen mit stoßdämpfender Wirkung	

[1]: Theoretische Reichweite: Getestet während der Fahrt mit vollem Akku, einer Last von 75 kg (165 lbs), bei 25 °C (77 °F), 70 % der maximalen Durchschnittsgeschwindigkeit auf Asphalt.

[2]: Reichweite unter max. Geschwindigkeit: Getestet während der Fahrt mit vollem Akku, 75 kg (165 lbs) Last, 25 °C (77 °F), max. Durchschnittsgeschwindigkeit auf Asphalt.

* Einige der Faktoren, die die Reichweite beeinflussen, sind Geschwindigkeit, Last, Anzahl der Starts und Stopps, Umgebungstemperatur usw.

3 Zertifizierungen

Dieses Produkt ist vom TÜV Rheinland nach ANSI/CAN/UL-2272 zertifiziert.

Der Akku entspricht den UN/DOT 38.3-Vorschriften.

Der Akku entspricht den ANSI/CAN/UL-2271-Vorschriften.

Konformitätserklärung der Europäischen Union Wichtige WEEE-Informationen



Dieses Symbol auf dem Produkt oder seiner Verpackung weist darauf hin, dass gebrauchte elektrische und elektronische Produkte nicht mit unsortiertem Hausmüll vermischt werden dürfen. Um eine ordnungsgemäße Verarbeitung zu gewährleisten, sind Sie dafür verantwortlich, Ihre Altgeräte bei den dafür vorgesehenen Sammelstellen abzugeben. Die ordnungsgemäße Entsorgung dieses Produkts trägt dazu bei, wertvolle Ressourcen zu sparen und mögliche negative Auswirkungen auf die menschliche Gesundheit und die Umwelt zu vermeiden, die sonst durch unsachgemäße Abfallentsorgung entstehen könnten.

Bei unsachgemäßer Entsorgung dieser Abfälle können gemäß den nationalen Rechtsvorschriften Strafen verhängt werden. Wenden Sie sich bitte an Ihre örtliche Behörde, um weitere Informationen zur nächstgelegenen ausgewiesenen Sammelstelle zu erhalten.

Informationen zum Batterierecycling für Benutzer



Dieses Symbol bedeutet, dass Batterien und Akkumulatoren am Ende ihrer Lebensdauer nicht mit unsortiertem Hausmüll vermischt werden dürfen. Ihre Teilnahme ist ein wichtiger Teil der Bemühungen, die Auswirkungen von Batterien und Akkumulatoren auf die Umwelt und die menschliche Gesundheit zu minimieren. Für ein ordnungsgemäßes Recycling können Sie dieses Produkt oder die darin enthaltenen Batterien oder Akkus an Ihren Lieferanten oder an eine dafür vorgesehene Sammelstelle zurückgeben. Die ordnungsgemäße Entsorgung dieses Produkts trägt dazu bei, wertvolle Ressourcen zu sparen und mögliche negative Auswirkungen auf die menschliche Gesundheit und die Umwelt zu vermeiden, die sonst durch unsachgemäße Abfallentsorgung entstehen könnten.

Bei unsachgemäßer Entsorgung dieser Abfälle können gemäß den nationalen Rechtsvorschriften Strafen verhängt werden. Es gibt getrennte Sammelsysteme für Altbatterien und -akkumulatoren. Bitte entsorgen Sie Batterien und Akkus ordnungsgemäß bei Ihrer örtlichen kommunalen Sammel-/Recyclingstelle.

Funkanlagenrichtlinie

Hiermit erklärt Ninebot (Changzhou) Tech Co., Ltd., dass das in diesem Abschnitt aufgeführte Produkt den grundlegenden Anforderungen und anderen relevanten Bestimmungen der Funkanlagenrichtlinie 2014/53/EU entspricht.

Richtlinie zur Einschränkung der Verwendung bestimmter gefährlicher Stoffe (RoHS) Ninebot (Changzhou) Tech Co., Ltd. erklärt hiermit, dass das gesamte Produkt einschließlich der Teile (Kabel, Leitungen usw.) die Anforderungen der RoHS-Richtlinie 2011/65/EU und der Änderung der Delegierten Richtlinie (EU) 2015/863 der Kommission zur Einschränkung der Verwendung bestimmter gefährlicher Stoffe in Elektro- und Elektronikgeräten („RoHS-Neufassung“ oder „RoHS 2.0“) erfüllt.

Maschinenrichtlinie

Hiermit erklärt Ninebot (Changzhou) Tech Co., Ltd., dass das in diesem Abschnitt aufgeführte Produkt den grundlegenden Anforderungen und anderen relevanten Bestimmungen der Maschinenrichtlinie 2006/42/EG entspricht.



Bevollmächtigter Vertreter (EU):

Segway-Ninebot Europa

Dynamostraat 7, 1014 BN Amsterdam, Niederlande.

Ninebot (Changzhou) Tech Co., Ltd. erklärt hiermit, dass das Produktmodell: 051401E, 051401B, 051401D, 051402E, 051402B den grundlegenden Anforderungen und anderen relevanten Bestimmungen der Funkanlagenrichtlinie 2014/53/EU, der Maschinenrichtlinie 2006/42/EG und der RoHS-Richtlinie 2011/65/EU und der Änderung der Delegierten Richtlinie (EU) 2015/863 entspricht.

Die Konformitätserklärung kann unter folgender Adresse eingesehen werden:
<https://eu-en.segway.com/instruction-manuals>

Konformitätserklärung (GB)

Funkanlagenvorschriften 2017

Hiermit erklärt Ninebot (Changzhou) Tech Co., Ltd., dass das in diesem Abschnitt aufgeführte Produkt den grundlegenden Anforderungen und anderen relevanten Bestimmungen der Funkanlagenvorschriften 2017 entspricht.

Vorschriften 2012 zur Einschränkung der Verwendung bestimmter gefährlicher Stoffe für Elektro- und Elektronikgeräte

Ninebot (Changzhou) Tech Co., Ltd. erklärt hiermit, dass das gesamte Produkt einschließlich der Teile (Kabel, Leitungen usw.) die Anforderungen der Vorschriften 2012 zur Einschränkung der Verwendung bestimmter gefährlicher Stoffe für Elektro- und Elektronikgeräte erfüllt.

Vorschriften 2008 zur Lieferung von Maschinen (Sicherheit)

Hiermit erklärt Ninebot (Changzhou) Tech Co., Ltd., dass das in diesem Abschnitt aufgeführte Produkt die grundlegenden Anforderungen und anderen relevanten Bestimmungen der Vorschriften 2008 zur Lieferung von Maschinen (Sicherheit) erfüllt.



Bevollmächtigter Vertreter (GB):

UKCA Experts Ltd.

Dept 302, 43 Owston Road Carcroft, Doncaster, DN6 8DA, Großbritannien

Ninebot (Changzhou) Tech Co., Ltd. erklärt hiermit, dass das Produktmodell: 051401B, 051402B den wesentlichen Anforderungen und anderen relevanten Bestimmungen der Funkanlagenvorschriften 2017, der Vorschriften 2008 zur Lieferung von Maschinen (Sicherheit) und der Vorschriften 2012 zur Einschränkung der Verwendung bestimmter gefährlicher Stoffe für Elektro- und Elektronikgeräte entspricht.

Die Konformitätserklärung kann unter folgender Adresse eingesehen werden: www.segway.com

Bluetooth	Frequenzband/-bänder	2.4000-2.4835 GHz
	Max. RF-Leistung	1 mW

4 Marke

Ninebot ist eine Marke von Ninebot (Beijing) Tech Co., Ltd.; Segway und das Rider Design sind eingetragene Marken von Segway Inc., App Store und Apple Logo sind Marken von Apple Inc. Google Play und das Google Play-Logo sind Marken von Google LLC. Die Bluetooth®-Wortmarke und -Logos sind eingetragene Marken im Besitz von Bluetooth SIG, Inc. und jede Verwendung dieser Marken durch Segway-Ninebot erfolgt unter Lizenz. Andere Marken und Handelsnamen sind Eigentum der jeweiligen Inhaber.

Der KickScooter ist durch entsprechende Patente geschützt. Informationen zum Patent finden Sie unter <http://www.segway.com>.

Wir haben versucht, Beschreibungen und Anweisungen für alle Funktionen des KickScooter zum Zeitpunkt des Drucks aufzunehmen. Aufgrund ständiger Verbesserung der Produkteigenschaften und von Designänderungen kann Ihr KickScooter jedoch leicht von dem in diesem Dokument beschriebenen Produkt abweichen. Scannen Sie den QR-Code oder besuchen Sie den Apple App Store (iOS) oder den Google Play Store (Android), um die App herunterzuladen und zu installieren.

Bitte beachten Sie, dass es zahlreiche Segway- und Ninebot-Modelle mit unterschiedlichen Funktionen gibt und dass einige der hier genannten Funktionen für Ihr Modell möglicherweise nicht zutreffend sind. Der Hersteller behält sich das Recht vor, Design und Funktionalität des KickScooter-Produkts sowie die Dokumentation ohne vorherige Mitteilung zu ändern.

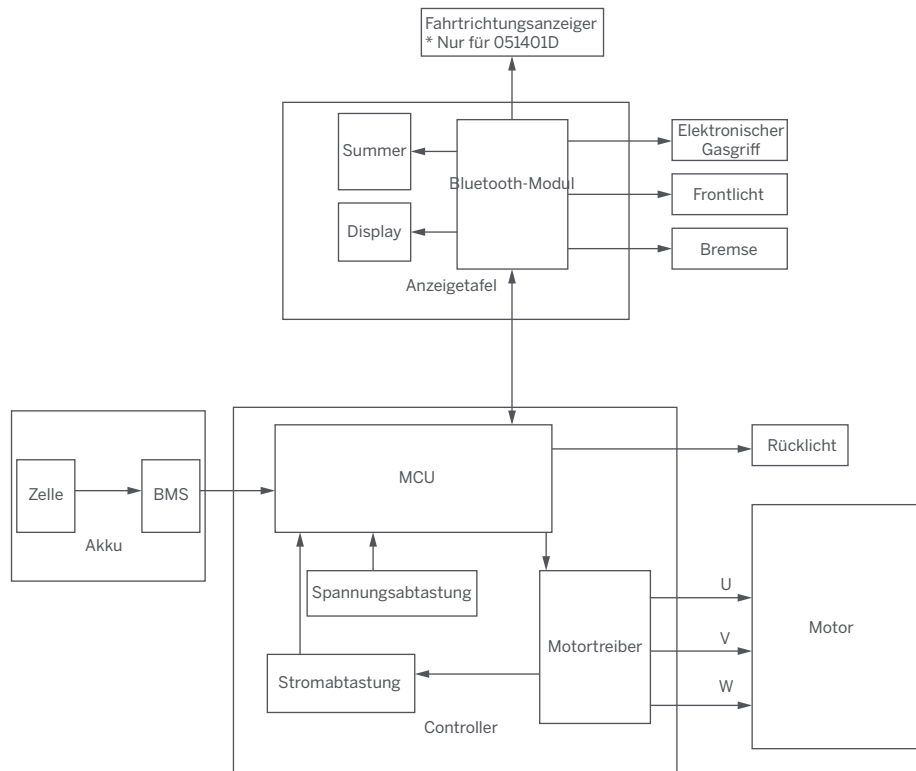
© 2023 Ninebot (Beijing) Tech Co., Ltd. Alle Rechte vorbehalten.

(※Die Segway-Ninebot-App kann KickScooter mit integriertem Bluetooth unterstützen)

5 Häufige Fehler

Fehlercode	Mögliche Ursachen	Lösung
10	Bluetooth-Kommunikationsfehler	Überprüfen Sie den Anschluss des Kommunikations- und Steuerkabels der Anzeigetafel, oder wenden Sie sich an den Kundendienst oder einen autorisierten Händler.
11	Anormale 1A-Phasenstrom-Abtastung des Motors	Bitte wenden Sie sich an den Kundendienst oder einen autorisierten Händler.
12	Anormale 1B-Phasenstrom-Abtastung des Motors	
13	Anormale 1C-Phasenstrom-Abtastung des Motors	
14	Anormale Abtastung des Gasgriff-Halls	Prüfen Sie, ob der Gasgriff beim Einschalten gedrückt ist, oder wenden Sie sich an den Kundendienst oder einen autorisierten Händler.
15	Anormale Abtastung des Brems-Halls	Prüfen Sie, ob der Bremshebel beim Einschalten betätigt wird, oder wenden Sie sich an den Kundendienst oder einen autorisierten Händler.
24	Anormale Standardspannung	Prüfen Sie, ob das mit dem Akkukabel und dem Controller verbundene Kabel locker ist, oder wenden Sie sich an den Kundendienst oder einen autorisierten Händler.
26	Anormales Schreiben/Lesen von Daten	Bitte wenden Sie sich an den Kundendienst oder einen autorisierten Händler.
31	Falscher FLASH-Betrieb	
35	Standard-Seriennummer	Prüfen Sie, ob die Seriennummer des KickScooters die Standard-Seriennummer ist.
39	Anormale Akkutemperatur	Prüfen Sie die Arbeitsumgebung des Akkus, oder wenden Sie sich an den Kundendienst oder einen autorisierten Händler.
40	Anormale Temperatur des Controllers	Die Temperatur des Controllers ist zu hoch, wenden Sie sich bitte an den Kundendienst oder einen autorisierten Händler.
41	Anormale Motortemperatur	Bitte wenden Sie sich an den Kundendienst oder einen autorisierten Händler.
42	Motor nicht kalibriert	
45	Anormale Abtastung des BUS-Stroms	
50	Verlust der Motorphase	Prüfen Sie, ob das mit dem Motor und dem Controller verbundene Kabel locker ist, oder wenden Sie sich an den Kundendienst oder einen autorisierten Händler.
52	Motor abgewürgt	Prüfen Sie, ob der KickScooter überlastet ist, oder wenden Sie sich an den Kundendienst oder einen autorisierten Händler.

6 Schaltplan



7 Empfohlener Wartungsplan

Um sicheres Fahren zu gewährleisten, sind tägliche Pflege und regelmäßige Wartung unerlässlich. Sie, der Eigentümer, haben die Kontrolle und das Wissen darüber, wie oft Sie Ihren Roller benutzen, wie intensiv Sie ihn benutzen und wo Sie ihn benutzen. Es liegt in der Verantwortung des Eigentümers, regelmäßige Kontrollen durchzuführen und den Roller zur Inspektion und Wartung in ein autorisiertes Servicecenter zu bringen. Bitte beachten Sie den unten stehenden Wartungsplan.

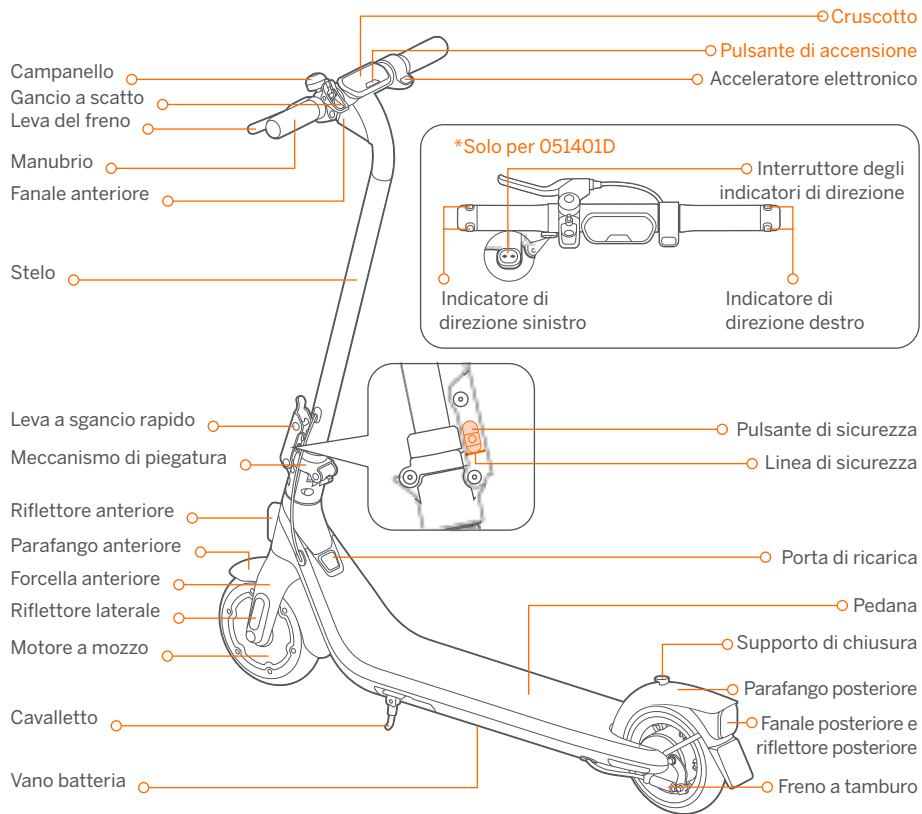
Hinweis: Für diesen Wartungsplan wird eine Servicegebühr erhoben.

Position	Komponente	Wartungsmethode	Wartungsintervalle		
			Alle 6 Monate oder alle 5000 km (310 Meilen)	Alle 3 Monate oder alle 2500 km (156 Meilen)	Nach 2 Jahren oder einem Gesamtkilometerleistung von mehr als 5000 km (3107 Meilen)
Wartung des Hauptrahmens	Teile des Hauptrahmens	Wischen Sie den Hauptrahmen mit einem weichen, feuchten Tuch sauber.	✓	✓	✓
	Reifenverschleiß	Prüfen Sie, ob die Reifen rissig, verformt oder stark abgenutzt sind.		✓	✓
	Schrauben an der Lenkstange oben	Ziehen Sie die sechs Schrauben fest, mit denen der Lenker und die Lenkstange befestigt sind. Das empfohlene Drehmoment beträgt $5,5 \pm 0,3$ N-m.	✓	✓	✓
		Ziehen Sie die Schraube am elektronischen Gasgriff fest. Das empfohlene Drehmoment beträgt $2 \pm 0,1$ N-m. Ziehen Sie die Schrauben an den Bremshebeln fest. Das empfohlene Drehmoment beträgt $5 \pm 0,1$ N-m. Ziehen Sie die Schrauben an der Lenkstange oben fest. Das empfohlene Drehmoment beträgt $2 \pm 0,1$ N-m.		✓	✓
Funktionsprüfung	Radnabenmotor	Prüfen Sie beim Beschleunigen und Abbremsen, ob der Radnabenmotor blockiert ist oder ungewöhnliche Geräusche von sich gibt.		✓	✓
	Wartung der Hinterräder	Prüfen Sie, ob das Hinterrad blockiert oder wackelt oder ob die Achswelle unausgeglichen ist.		✓	✓
	Trommelbremse	1) Drehen Sie das Hinterrad, es dreht sich normal. Das Hinterrad darf nicht blockieren oder ungewöhnliche Geräusche machen. Hinweis: Leichte Geräusche beeinträchtigen die Fahrsicherheit nicht. Wenn die Trommelbremse beim Bremsen jedoch laute Geräusche macht, wenden Sie sich bitte an den Kundendienst. 2) Betätigen Sie den Bremshebel, das Hinterrad bewegt sich nicht mehr.		✓	✓

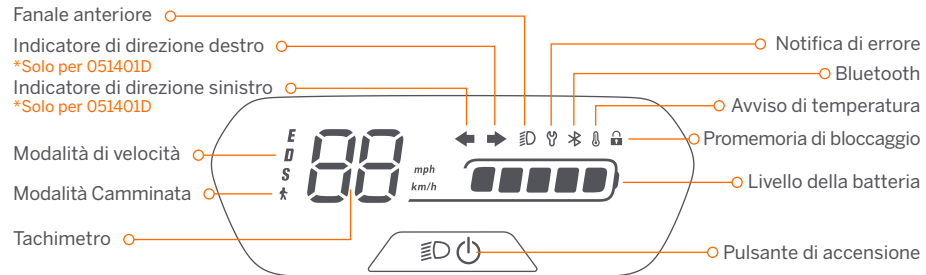
Position	Komponente	Wartungsmethode	Alle 3 Monate	Alle 6 Monate	Nach 2 Jahren oder alle 5000 km (3107 Meilen)
				500 km (310 Meilen)	5000 km (3107 Meilen)
Funktionsprüfung	Frontlicht	Prüfen Sie, ob das Frontlicht hell leuchtet.		✓	✓
	Fahrtrichtungsanzeiger * Nur für 051401D	Stellen Sie den Fahrtrichtungsanzeigerschalter jeweils nach links/rechts um und prüfen Sie, ob die Fahrtrichtungsanzeiger auf der linken/rechten Seite normal blinken.		✓	✓
	Anzeigetafel	Schalten Sie den Roller ein, die Anzeigetafel funktioniert einwandfrei.		✓	✓
	Elektronischer Gasgriff	Halten Sie den elektronischen Gasgriff gedrückt und lassen Sie ihn wieder los, um die Beschleunigung und das Abbremsen zu überprüfen.		✓	✓
	Fehlererkennung	Nach der Verbindung mit der Segway-Ninebot-App: 1) Aktualisieren Sie die Firmware auf die neueste Version. 2) Prüfen Sie, ob die Meldung des entsprechenden Fehlercodes und der möglichen Ursachen angezeigt wird, wenn der Roller einen Fehler feststellt. Den Roller		✓	✓
	Aufladen	aufladen: 1) Prüfen Sie, ob die aktuelle Akkuleistung auf der Anzeigetafel angezeigt wird. 2) Prüfen Sie die LED-Anzeige am Akkuladegerät. Aufladen: rot, vollständig aufgeladen: grün.		✓	✓
	Tasten	Drücken Sie die Taste oder schalten Sie sie 3 Mal ohne Fehler um.		✓	✓
	Lenkung	Testen Sie mit Links- und Rechtskurven (der Lenkwinkel beträgt 60°). Kein Widerstand oder keine Verzögerung beim Abbiegen.		✓	✓

Position	Komponente	Wartungsmethode	Alle 6 Monate	Alle 6 Monate	Nach 2 Jahren oder alle 5000 km (3107 Meilen)
				500 km (310 Meilen)	5000 km (3107 Meilen)
Wichtige Teile	Baugruppe Akku	Der Akku muss ausgetauscht werden, wenn er 500 Mal aufgeladen und entladen wurde oder der Gesamtkilometerstand mehr als 10000 km (6213 Meilen) beträgt. Bei langfristiger Lagerung wird eine Aufladung alle 60 Tage empfohlen.			✓
	Radnabenmotor	Für Reparaturen und Austausch müssen Originalteile von Segway-Ninebot verwendet werden.			
	Controller				
Baugruppteile Vorderradgabel	Baugruppe Hinterrad	Für Reparaturen und Austausch müssen Originalteile von Segway-Ninebot verwendet werden.			✓
	Elektronischer Gasgriff & Bremshebel				
	Clampmechanismus				
	Baugruppe Trommelbremse				
	Anzeigetafel				

1 Diagramma



Dashboard e pulsante di accensione



Pulsante di accensione: premere il pulsante per accendere lo scooter; tenerlo premuto per 2 secondi per spegnerlo. Quando lo scooter è acceso, premere il pulsante per accendere/spegnere il fanale anteriore e quello posteriore; premerlo due volte per passare da una modalità all'altra. Premi cinque volte per cambiare unità tra km/h e mph. **Tachimetro:** visualizza la velocità attuale dello scooter e i codici di errore.

Modalità Camminata: Il faro anteriore e quello posteriore sono sempre accesi e non possono essere spenti.

Modalità di velocità: sono disponibili 4 modalità. La velocità massima è la seguente:

Modalità	Modello	Limite di velocità modello E2	Limite di velocità modello E2 Plus	Autonomia E2*	Autonomia E2 Plus*
E (modalità di risparmio energetico)		15 km/h (9,3 mph)	15 km/h (9,3 mph)	25 km (15,5 mi)	25 km (15,5 mi)
D (modalità Standard)		20 km/h (12,4 mph)	20 km/h (12,4 mph)	20 km (12,4 mi)	25 km (15,5 mi)
S (modalità Sport)		20 km/h (12,4 mph)	25 km/h (15,5 mph)	20 km (12,4 mi)	20 km (12,4 mi)
† (Modalità Camminata)		5 km/h (3,1 mph)	5 km/h (3,1 mph)	25 km (15,5 mi)	25 km (15,5 mi)

*Autonomia delle varie modalità di velocità: Testata durante la guida con batteria a piena carica, con carico di 75 kg (165 lb), a una temperatura di 25°C (77°F) e alla max. velocità media di ciascuna modalità di velocità su asfalto.

Indicatore di direzione sinistro: quando l'icona lampeggia, significa che gli indicatori di direzione sul lato sinistro sono accesi.

Indicatore di direzione destro: quando l'icona lampeggia, significa che gli indicatori di direzione sul lato destro sono accesi.

Notifica di errore: indica che lo scooter ha rilevato un errore.

Avviso di temperatura: indica che la temperatura della batteria ha raggiunto i 55°C (131°F) o è inferiore a 0°C (32°F). *In tal caso, lo scooter non sarà in grado di accelerare normalmente e non potrà essere ricaricato. Non utilizzarlo fino a quando la temperatura rientra entro valori normali.

Bluetooth: indica che lo scooter è stato collegato correttamente al dispositivo mobile.

Livello della batteria: il livello di carica totale della batteria è pari a 5 bar.

*Quando la prima barra della batteria è rossa, significa che la carica della batteria è estremamente bassa. Ricaricare immediatamente lo scooter.

Promemoria di bloccaggio: quando l'icona si accende, significa che lo scooter è bloccato. Se vengono rilevati movimenti anomali, lo scooter inizierà a emettere un segnale acustico e il fanale posteriore si spegnerà.

2 Specifiche

	Voce	Parametro		
Prodotto	Nome	Ninebot KickScooter E2		
	Modello	051401E	051401B	051401D
	Lunghezza x larghezza x altezza	Circa 1070 x 445 x 1140 mm (42,1 x 17,5 x 44,9 in)		Circa 1070 x 473 x 1140 mm (42,1 x 18,6 x 44,9 in)
	Da piegato: Lunghezza x larghezza x altezza	Circa. 1070 x 445 x 504 mm (42,1 x 17,5 x 19,8 in)		Circa 1070 x 473 x 504 mm (42,1 x 18,6 x 19,8 in)
	Peso netto	Circa 15 kg (33,1 lb)	Circa 15,1 kg (33,3 lb)	
Conducente	Carico utile max.	90 kg (198 lb)		
	Età consigliata	14-60 anni		
	Altezza necessaria	130-190 cm (4'3"-6'2")		
Veicolo	Max. velocità	Circa 20 km/h (12,4 mph)		
	Autonomia teorica ^[1]	Circa 25 km (15,5 mi)		
	Autonomia alla max. velocità ^[2]	Circa 20 km (12,4 mi)		
	Max. pendenza	Circa il 12%		
	Terreni percorribili	Per lo più strade con fondo liscio o strade normali asfaltate		
	Temperatura di esercizio	-10-40 °C (14-104 °F)		
	Temperatura di conservazione	-10-50 °C (14-122 °F)		
	Grado di protezione IP	IPX4		
	Durata della ricarica	Circa 7,5 h		
Batteria	Tensione nominale	21,6 V \approx		
	Max. tensione di ricarica	25,2 V \approx		
	Temperatura di ricarica	0-44 °C (32-111 °F)		
	Energia nominale	220 Wh		
	Capacità nominale	10,2 Ah		
Motore	Sistema di gestione della batteria	Protezione contro sovratensione/sottotensione/cortocircuito/sovracorrente/sovratemperatura		
	Potenza nominale	0,25 kW, 250 W		
Caricabatterie	Max. potenza	0,45 kW, 450 W		
	Modello	NBW25D201D5N-EU	NBW25D201D5N-US	NBW25D201D5N-EU
	Potenza erogata	36,3 W		
	Tensione di ingresso	100-240 V ~ 50-60 Hz		
	Max. tensione di uscita	25,2 V \approx		
Pneumatici	Uscita nominale	24,2 V \approx 5 A		
	Pneumatici	Pneumatici ammortizzanti con cavità interna da 8,1 pollici		
Altro	Indicatori di direzione	N/A		Indicatori di direzione anteriori e posteriori

[1]: Autonomia teorica: testata durante la guida con batteria a piena carica, con carico di 75 kg (165 lb), a una temperatura di 25 °C (77 °F), al 70% della velocità media massima e su asfalto.

[2]: Autonomia alla max. velocità: Testata durante la guida con batteria a piena carica, con carico di 75 kg (165 lb), a una temperatura di 25 °C (77 °F) e alla max. velocità su asfalto.

*Tra i fattori che influenzano l'autonomia figurano velocità, carico, numero di avviamenti e arresti, temperatura ambiente, ecc.

	Voce	Parametro	
Prodotto	Nome	Ninebot KickScooter E2 Plus	
	Modello	051402E	051402B
	Lunghezza x larghezza x altezza	Circa 1070 x 445 x 1140 mm (42,1 x 17,5 x 44,9 in)	
	Da piegato: Lunghezza x larghezza x altezza	Circa. 1070 x 445 x 504 mm (42,1 x 17,5 x 19,8 in)	
Conducente	Carico utile max.	Circa 15,3 kg (33,7 lb)	
	Età consigliata	90 kg (198 lb)	
	Altezza necessaria	14-60 anni	
Veicolo	Max. velocità	130-190 cm (4'3"-6'2")	
	Autonomia teorica ^[1]	Circa 25 km/h (15,5 mph)	
	Autonomia alla max. velocità ^[2]	Circa 25 km (15,5 mi)	
	Max. pendenza	Circa 20 km (12,4 mi)	
	Terreni percorribili	Circa il 12%	
	Temperatura di esercizio	Per lo più strade con fondo liscio o strade normali asfaltate	
	Temperatura di conservazione	-10-40 °C (14-104 °F)	
	Grado di protezione IP	-10-50 °C (14-122 °F)	
	Durata della ricarica	IPX4	
Batteria	Tensione nominale	Circa 7,5 h	
	Max. tensione di ricarica	21,6 V \approx	
	Temperatura di ricarica	25,2 V \approx	
	Energia nominale	0-44 °C (32-111 °F)	
	Capacità nominale	220 Wh	
Motore	Sistema di gestione della batteria	10,2 Ah	
	Potenza nominale	Protezione contro sovratensione/sottotensione/cortocircuito/sovracorrente/sovratemperatura	
Caricabatterie	Max. potenza	0,3 kW, 300 W	
	Modello	NBW25D201D5N-EU	NBW25D201D5N-US
	Potenza erogata	0,50 kW, 500 W	
	Tensione di ingresso	36,3 W	
	Max. tensione di uscita	100-240 V ~ 50-60 Hz	
Pneumatici	Uscita nominale	25,2 V \approx	
	Pneumatici	24,2 V \approx 5 A	

[1]: Autonomia teorica: testata durante la guida con batteria a piena carica, con carico di 75 kg (165 lb), a una temperatura di 25 °C (77 °F), al 70% della velocità media massima e su asfalto.

[2]: Autonomia alla max. velocità: Testata durante la guida con batteria a piena carica, con carico di 75 kg (165 lb), a una temperatura di 25 °C (77 °F) e alla max. velocità su asfalto.

*Tra i fattori che influenzano l'autonomia figurano velocità, carico, numero di avviamenti e arresti, temperatura ambiente, ecc.

3 Certificazioni

Questo prodotto è certificato ANSI/CAN/UL-2272 da TÜV Rheinland.

La batteria è conforme alla normativa UN/DOT 38.3.

La batteria è conforme alla normativa ANSI/CAN/UL-2271.

Dichiarazione di conformità per l'Unione europea

Importanti informazioni in materia di rifiuti di apparecchiature elettriche ed elettroniche (RAEE)



Questo simbolo riportato sul prodotto o sulla confezione indica che i prodotti elettrici ed elettronici in uso non devono essere smaltiti con i rifiuti urbani indifferenziati. Affinché le apparecchiature vengano smaltite adeguatamente, è responsabilità dell'utente predisporre la restituzione presso i punti di raccolta designati. Lo smaltimento corretto del prodotto consentirà di risparmiare risorse preziose e prevenire potenziali effetti negativi sulla salute e sull'ambiente, che potrebbero altrimenti derivare da una gestione inappropriata del prodotto smaltito. Lo smaltimento errato di questo rifiuto può comportare l'applicazione di sanzioni in conformità con la legislazione nazionale.

Per ulteriori informazioni sul punto di raccolta più vicino, contattare le autorità locali.

Informazioni rivolte agli utenti in materia di riciclaggio delle batterie



Questo simbolo indica che le batterie e gli accumulatori, al termine del loro ciclo di vita, non devono essere smaltiti con i rifiuti urbani indifferenziati. Il contributo dell'utente costituisce una parte importante dell'impegno volto a ridurre al minimo l'impatto di batterie e accumulatori sull'ambiente e sulla salute dell'uomo. Per un corretto riciclaggio, è possibile consegnare il prodotto e le batterie o gli accumulatori in esso contenuti al fornitore o a un punto di raccolta designato a costo zero.

Lo smaltimento corretto del prodotto consentirà di risparmiare risorse preziose e prevenire potenziali effetti negativi sulla salute e sull'ambiente, che potrebbero altrimenti derivare da una gestione inappropriata del prodotto smaltito. Lo smaltimento errato di questo rifiuto può comportare l'applicazione di sanzioni in conformità con la legislazione nazionale.

Esistono sistemi di raccolta differenziata per batterie e accumulatori usati.

Smaltire correttamente le batterie e gli accumulatori presso il centro di raccolta/riciclaggio dei rifiuti della propria comunità locale.

Direttiva sulle apparecchiature radio

Ninebot (Changzhou) Tech Co., Ltd. dichiara che il prodotto menzionato nella presente sezione è conforme ai requisiti essenziali e ad altre disposizioni pertinenti contenute nella direttiva sulle apparecchiature radio 2014/53/UE.

Direttiva sulla restrizione dell'uso di determinate sostanze pericolose (RoHS) Ninebot (Changzhou) Tech Co., Ltd. dichiara che l'intero prodotto, comprese le sue varie parti (cavi, fili e altri componenti), soddisfa i requisiti della direttiva RoHS 2011/65/UE e dell'emendamento alla direttiva delegata (UE) 2015/863 della Commissione sulla restrizione dell'uso di determinate sostanze pericolose nelle apparecchiature elettriche ed elettroniche ("Rifusione della direttiva RoHS" o "RoHS 2.0").

Direttiva macchine

Ninebot (Changzhou) Tech Co., Ltd. dichiara che il prodotto menzionato nella presente sezione è conforme ai requisiti essenziali e ad altre disposizioni pertinenti contenute nella direttiva macchine 2006/42/CE.



Rappresentante autorizzato UE:

Segway-Ninebot Europe

Dynamostraat 7, 1014 BN Amsterdam, Paesi Bassi.

Ninebot (Changzhou) Tech Co., Ltd. dichiara che i modelli del prodotto: 051401E, 051401B, 051401D, 051402E e 051402B sono conformi ai requisiti essenziali e ad altre disposizioni pertinenti contenute nella direttiva sulle apparecchiature radio 2014/53/UE, nella direttiva macchine 2006/42/CE e nella direttiva RoHS 2011/65/UE, nonché nella modifica alla direttiva delegata (UE) 2015/863 della Commissione.

La dichiarazione di conformità può essere consultata al seguente indirizzo:

<https://eu-en.segway.com/instruction-manuals>

Dichiarazione di conformità per il Regno Unito

Normative sulle apparecchiature radio (2017)

Ninebot (Changzhou) Tech Co., Ltd. dichiara che il prodotto menzionato nella presente sezione è conforme ai requisiti essenziali e ad altre disposizioni pertinenti contenute nelle normative sulle apparecchiature radio (2017).

Regolamenti sulla restrizione dell'uso di determinate sostanze pericolose nelle apparecchiature elettriche ed elettroniche (2012).

Ninebot (Changzhou) Tech Co., Ltd. dichiara che l'intero prodotto, comprese le sue varie parti (cavi, fili e altri componenti), soddisfa i requisiti dei regolamenti sulla restrizione dell'uso di determinate sostanze pericolose nelle apparecchiature elettriche ed elettroniche (2012).

Norme (di sicurezza) sulla fornitura di macchine (2008)

Ninebot (Changzhou) Tech Co., Ltd. dichiara che il prodotto menzionato nella presente sezione è conforme ai requisiti essenziali e ad altre disposizioni pertinenti contenute nelle norme (di sicurezza) sulla fornitura di macchine (2008).



Rappresentante autorizzato per il Regno Unito:

UKCA Experts Ltd.

Dept 302, 43 Owston Road Carcroft, Doncaster, DN6 8DA, Regno Unito

Ninebot (Changzhou) Tech Co., Ltd. dichiara che i modelli del prodotto: 051401B, 051402B sono conformi ai requisiti essenziali e ad altre disposizioni pertinenti contenute nelle normative sulle apparecchiature radio (2017), nelle norme (di sicurezza) sulla fornitura di macchine (2008) e nei regolamenti sulla restrizione dell'uso di determinate sostanze pericolose nelle apparecchiature elettriche ed elettroniche (2012). La dichiarazione di conformità può essere consultata al seguente indirizzo: www.segway.com

Bluetooth	Banda(e) di frequenza	2,4000-2,4835 GHz
	Max. potenza RF	1 mW

4 Marchio

Ninebot è un marchio di fabbrica di Ninebot (Beijing) Tech Co., Ltd.; Segway e Rider Design sono marchi registrati di Segway Inc. App Store e il logo Apple sono marchi di Apple Inc. Google Play e il logo Google Play sono marchi di Google LLC. Il marchio denominatore e i loghi Bluetooth® sono marchi registrati di proprietà di Bluetooth SIG, Inc. Qualsiasi uso di tali marchi da parte di Segway-Ninebot è concesso in licenza. Altri marchi e nomi commerciali appartengono ai rispettivi proprietari.

Il KickScooter è coperto da brevetti pertinenti. Per informazioni su tali brevetti, visitare il sito <http://www.segway.com>

Al momento della stampa, abbiamo cercato di includere descrizioni e istruzioni per tutte le funzioni del KickScooter. Tuttavia, a causa del costante miglioramento delle caratteristiche del prodotto e delle modifiche al design, il KickScooter acquistato dall'utente potrebbe presentare lievi differenze rispetto al veicolo illustrato in questo documento. Scansionare il codice QR o visitare l'App Store di Apple (iOS) o il Google Play Store (Android) per scaricare e installare l'app.

Si tenga presente che esistono vari modelli di Segway e Ninebot con funzioni diverse; alcune delle funzioni qui menzionate potrebbero non essere applicabili alla propria unità. Il produttore si riserva il diritto di apportare modifiche al design e alle funzionalità del prodotto KickScooter e di aggiornarne la documentazione senza alcun preavviso.

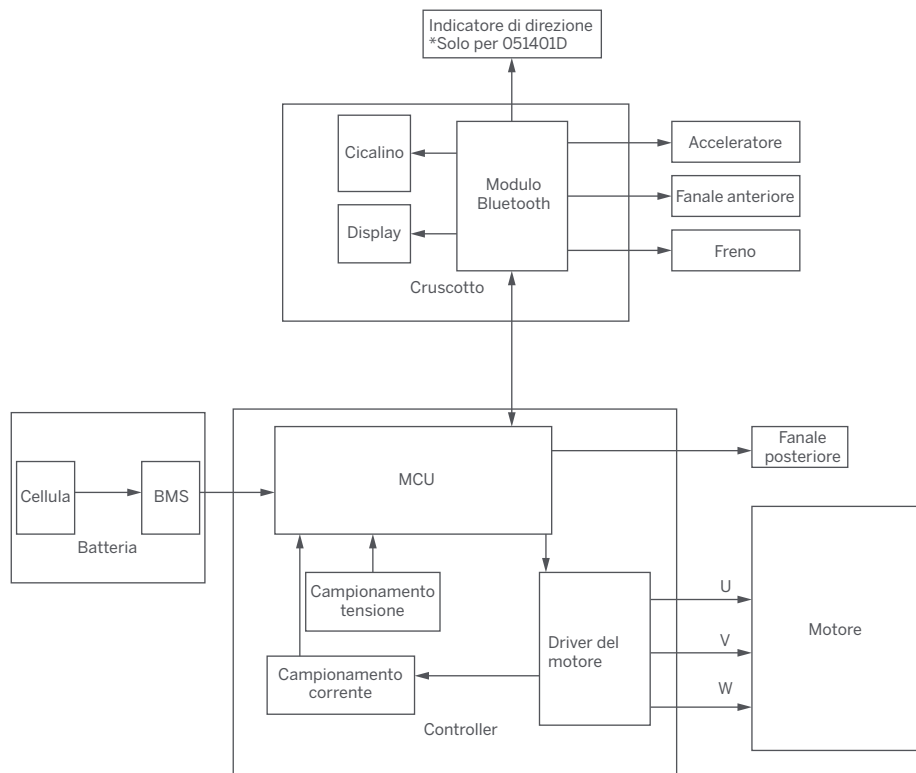
© 2023 Ninebot (Beijing) Tech Co., Ltd. Tutti i diritti riservati.

(※L'app Segway-Ninebot è in grado di supportare il KickScooter con Bluetooth incorporato)

5 Guasti comuni

Codice di errore	Possibili cause	Soluzione
10	Errore di comunicazione Bluetooth	Verificare il collegamento del filo di comunicazione del cruscotto e del cavo di controllo, oppure contattare il servizio post-vendita o un rivenditore autorizzato.
11	Campionamento anomalo corrente di fase 1A del motore	Contattare il servizio post-vendita o un rivenditore autorizzato.
12	Campionamento anomalo corrente di fase 1B del motore	
13	Campionamento anomalo corrente di fase 1C del motore	
14	Campionamento anomalo sensore di Hall acceleratore	Verificare che l'acceleratore sia premuto quando il veicolo è acceso, oppure contattare il servizio post-vendita o un rivenditore autorizzato.
15	Campionamento anomalo sensore di Hall freni	Verificare che la leva del freno sia premuta quando il veicolo è acceso, oppure contattare il servizio post-vendita o un rivenditore autorizzato.
24	Tensione predefinita anomala	Verificare che il filo collegato al cavo della batteria e al controller non sia allentato, oppure contattare il servizio post-vendita o un rivenditore autorizzato.
26	Scrittura/lettura anomala dei dati	Contattare il servizio post-vendita o un rivenditore autorizzato.
31	Funzionamento non corretto FLASH	
35	S/N predefinito	Controllare che l'S/N del KickScooter sia quello predefinito.
39	Temperatura anomala della batteria	Controllare l'ambiente operativo della batteria, oppure contattare il servizio post-vendita o un rivenditore autorizzato.
40	Temperatura anomala del controller	La temperatura del controller è eccessivamente elevata, contattare il servizio post-vendita o un rivenditore autorizzato.
41	Temperatura anomala del motore	Contattare il servizio post-vendita o un rivenditore autorizzato.
42	Motore non calibrato	
45	Campionamento anomalo corrente bus	
50	Perdita di fase del motore	Verificare che il filo collegato al motore e al controller non sia allentato, oppure contattare il servizio post-vendita o un rivenditore autorizzato.
52	Motore in stallo	Verificare che il KickScooter non supporti un carico eccessivo, oppure contattare il servizio di assistenza o un rivenditore autorizzato.

6 Schema di cablaggio



7 Programma di manutenzione consigliato

Per garantire una guida sicura, sono essenziali una cura quotidiana e una manutenzione regolare. Il proprietario ha il controllo dello scooter e ne conosce la frequenza, l'intensità e i luoghi di utilizzo. È responsabilità del proprietario eseguire controlli regolari e portare lo scooter presso un centro servizi autorizzato per i controlli e la manutenzione. Consultare il programma di manutenzione riportato di seguito.

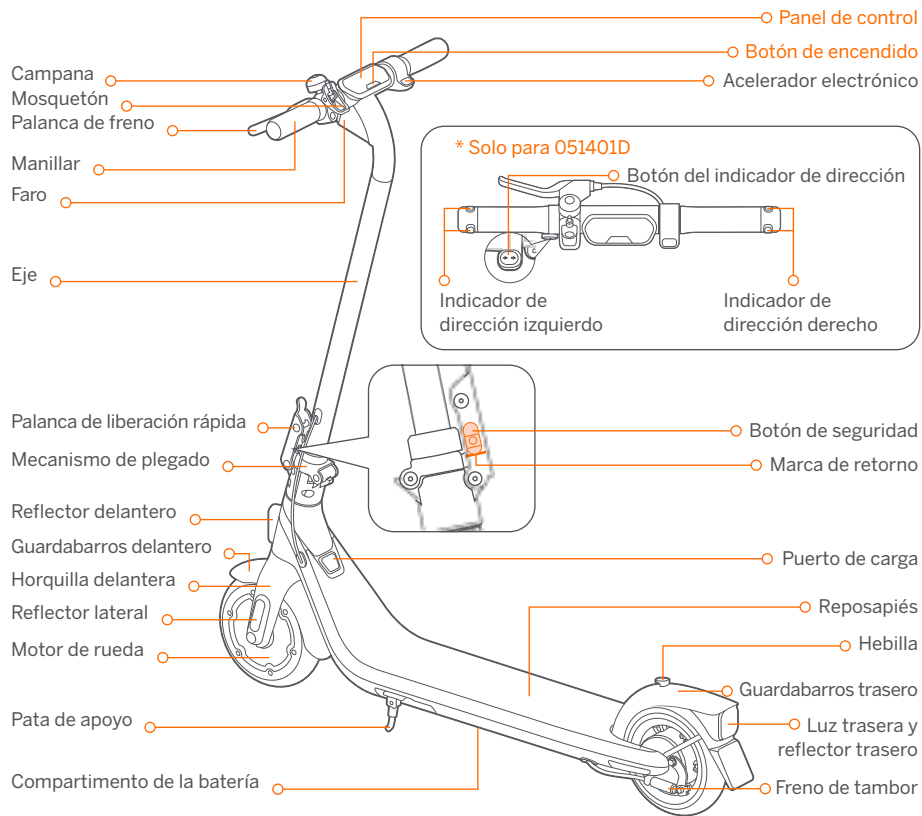
Nota: il programma di manutenzione prevede un costo di servizio.

Voce	Componente	Metodo di manutenzione	Ogni 3 mesi	Ogni 6 mesi o ogni 500 km (310 mi)	Dopo 2 anni o dopo aver raggiunto un chilometraggio totale > 5.000 km (3.107 mi)
Manutenzione del corpo centrale	Parti del corpo centrale	Utilizzare un panno morbido e umido per pulire il corpo centrale del veicolo.	✓	✓	✓
	Usura degli pneumatici	Controllare che gli pneumatici non siano incrinati, deformati o eccessivamente usurati.		✓	✓
	Viti sulla parte superiore dello stelo	Serrare le sei viti che fissano il manubrio e lo stelo. La coppia consigliata è pari a $5,5 \pm 0,3$ N·m. Serrare le viti dell'acceleratore. La coppia suggerita è pari a $2 \pm 0,1$ N·m. Serrare le viti delle leve dei freni. La coppia suggerita è pari a $5 \pm 0,1$ N·m. Serrare le viti sulla parte superiore dello stelo. La coppia suggerita è pari a $2 \pm 0,1$ N·m.	✓	✓	✓
Controllo delle funzioni	Motore a mozzo	Per accelerare e decelerare, verificare che il motore a mozzo non sia bloccato o emetta suoni anomali.		✓	✓
	Manutenzione ruota posteriore	Controllare che la ruota posteriore non sia bloccata o instabile, oppure che l'albero dell'asse non sia sbilanciato.		✓	✓
	Freno a tamburo	1) Far girare la ruota posteriore e verificare che ruoti normalmente. La ruota posteriore non deve bloccarsi o emettere suoni anomali. Nota: un leggero rumore non influisce sulla sicurezza di guida. Ma se il freno a tamburo emette un forte rumore quando si utilizzano i freni, contattare il servizio clienti per assistenza. 2) Premere la leva del freno e verificare che la ruota posteriore si arresti.		✓	✓

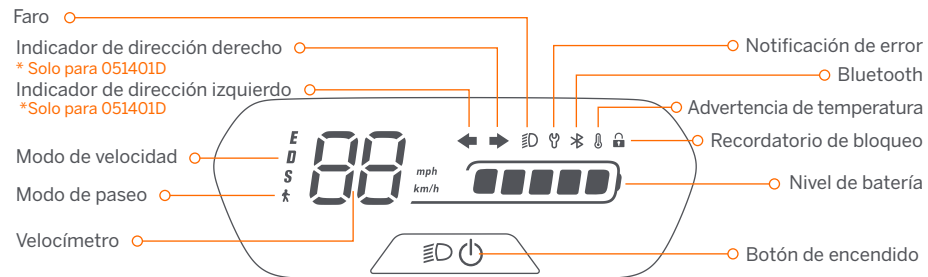
Voce	Componente	Metodo di manutenzione	Ogni 3 mesi	Ogni 6 mesi o ogni 500 km (310 mi)	Dopo 2 anni o dopo aver raggiunto un chilometraggio totale > 5.000 km (3.107 mi)
Controllo delle funzioni	Fanale anteriore	Controllare il faro anteriore e verificare che emetta una luce intensa.		✓	✓
	Indicatori di direzione *Solo per 051401D	Spostare l'interruttore degli indicatori di direzione rispettivamente a sinistra/destra, verificando che gli indicatori di direzione sul lato sinistro/destro lampeggino normalmente.		✓	✓
	Cruscotto	Accendere lo scooter e verificare che il cruscotto funzioni correttamente.		✓	✓
	Acceleratore	Tenere premuto l'acceleratore, quindi rilasciarlo in modo da verificare l'accelerazione e la decelerazione.		✓	✓
	Rilevamento guasti	Dopo la connessione all'app Segway-Ninebot: 1) Aggiornare il firmware alla versione più recente. 2) Verificare che la notifica del codice di errore corrispondente e delle possibili cause venga visualizzata quando lo scooter rileva un errore.		✓	✓
	Ricarica	Effettuare la ricarica dello scooter: 1) Verificare che sul cruscotto sia visualizzato l'attuale livello di carica della batteria. 2) Controllare l'indicatore LED del caricabatterie. In carica: rosso; ricarica completata: verde.		✓	✓
	Pulsanti	Premere o attivare il pulsante 3 volte in modo continuato.		✓	✓
	Sterzo	Provare ad effettuare curve a sinistra e a destra (l'angolo di sterzo è pari a 60°). Nessuna resistenza o ritardo nello sterzare.		✓	✓
Parti importanti	Gruppo batteria	La batteria deve essere sostituita dopo aver eseguito 500 cicli di carica e scarica o dopo aver superato un chilometraggio totale di 10.000 km (6.213 mi). Nota: si consiglia di effettuare la ricarica ogni 60 giorni per preservare la batteria a lungo.			✓
	Controller	Per eventuali riparazioni e sostituzioni, è necessario utilizzare parti originali Segway-Ninebot.			
	Motore a mozzo				

Voce	Componente	Metodo di manutenzione	Ogni 3 mesi	Ogni 6 mesi o ogni 500 km (310 mi)	Dopo 2 anni o dopo aver raggiunto un chilometraggio totale > 5.000 km (3.107 mi)
Parti funzionali	Gruppo ruota posteriore	Per eventuali riparazioni e sostituzioni, è necessario utilizzare parti originali Segway-Ninebot.			✓
	Acceleratore e leve dei freni				
	Gruppo forcella anteriore				
	Meccanismo di piegatura				
	Gruppo freno a tamburo				
	Cruscotto				

1 Diagrama



Panel de control/Botón de encendido



Botón de encendido: Presione el botón para encender el patinete; mantenga presionado el botón durante 2 segundos para apagarlo. Cuando el patinete esté encendido, presione el botón para encender/apagar el faro y la luz trasera, y presione dos veces para cambiar entre los modos de velocidad. Presione cinco veces para cambiar la unidad entre km/h y mph. **Velocímetro:** Muestra la velocidad actual del patinete, así como los códigos de error. **Modo de paseo:** El faro y la luz trasera están siempre encendidos y no se pueden apagar.

Modo de velocidad: Hay 4 modos disponibles. La velocidad máxima es la siguiente:

Modo	Modelo	Límite de velocidad E2	Límite de velocidad E2 Plus	Alcance E2*	Alcance E2 Plus*
E (modo de ahorro energético)		15 km/h (9,3 mph)	15 km/h (9,3 mph)	25 km (15,5 millas)	25 km (15,5 millas)
D (modo estándar)		20 km/h (12,4 mph)	20 km/h (12,4 mph)	20 km (12,4 millas)	25 km (15,5 millas)
S (modo Sport)		20 km/h (12,4 mph)	25 km/h (15,5 mph)	20 km (12,4 millas)	20 km (12,4 millas)
† (Modo de paseo)		5 km/h (3,1 mph)	5 km/h (3,1 mph)	25 km (15,5 millas)	25 km (15,5 millas)

*Alcances de modos de velocidad: Probados mientras se conduce con batería llena, 75 kg (165 lb) de carga, 25°C (77°F), a la velocidad máxima de cada modo de velocidad en promedio en el pavimento.

Indicador de dirección izquierda: Cuando este icono parpadea, quiere decir que los indicadores de dirección en el lado izquierdo están encendidos. **Indicador de dirección derecha:** Cuando este icono parpadea, quiere decir que los indicadores de dirección en el lado derecho están encendidos.

Notificación de error: El símbolo indica que el patinete ha detectado un error.

Advertencia de temperatura: Indica que la temperatura de la batería ha alcanzado los 55 °C (131 °F) o está por debajo de 0 °C (32 °F). * En este punto, el patinete no puede acelerar con normalidad y no puede cargarse. No lo use hasta que la temperatura haya vuelto al rango normal.

Bluetooth: Indica que el patinete se ha conectado correctamente al dispositivo móvil.

Nivel de batería: La carga total de la batería equivale a 5 bares. * La carga de la batería es muy baja cuando la primera barra de la batería está en rojo. Cargue el patinete inmediatamente. **Recordatorio de bloqueo:** Cuando el icono se enciende, significa que el patinete está bloqueado. Si se detectan movimientos anormales, el patinete comenzará a sonar y la luz trasera se desvanecerá.

2 Especificaciones

	Artículo	Parámetro		
Producto	Nombre	Ninebot KickScooter E2		
	Modelo	051401E	051401B	051401D
	Largo × ancho × alto	Approx. 1070 × 445 × 1140 mm (42,1 × 17,5 × 44,9 pulg.)		Approx. 1070 × 473 × 1140 mm (42,1 × 18,6 × 44,9 pulg.)
	Plegado: Largo × ancho × alto	Approx. 1070 × 445 × 504 mm (42,1 × 17,5 × 19,8 pulg.)		Approx. 1070 × 473 × 504 mm (42,1 × 18,6 × 19,8 pulg.)
	Peso neto	Aprox. 15 kg (33.1 lb)		Approx. 15.1 kg (33.3 lb)
Conductor	Carga útil máxima	90 kg (198 lb)		
	Edad recomendada	De 14 a 60 años		
	Altura requerida	130-190 cm (4'3"-6'2")		
Máquina	Velocidad máx.	Aprox. 20 km/h (12,4 mph)		
	Rango teórico ^[1]	Aprox. 25 km (15,5 millas)		
	Alcance por debajo de la velocidad máxima ^[2]	Aprox. 20 km (12,4 millas)		
	Pendiente máxima	Aprox. 12 %		
	Terreno transitable	Carreteras en su mayoría lisas o asfalto normal, carreteras asfaltadas		
	Temperatura de funcionamiento	De -10 °C a 40 °C (de 14 °F a 104 °F)		
	Temperatura de almacenamiento	De -10 °C a 50 °C (de 14 °F a 122 °F)		
	Clasificación IP	IPX4		
	Duración de la carga	Aprox. 7,5 h		
Batería	Tensión nominal	21,6 V ---		
	Máx. tensión de carga	25,2 V ---		
	Temperatura de carga	De 0 °C a 44 °C (de 32 °F a 111 °F)		
	Energía nominal	220 Wh		
	Capacidad nominal	10,2 Ah		
	Sistema de gestión de la batería	Protección contra sobretensión/subtensión/cortocircuito/sobrecorriente/sobretemperatura		
Motor	Corriente nominal	0,25 kW, 250 W		
	Potencia máx.	0,45 kW, 450 W		
Cargador	Modelo	NBW25D201D5N-EU NBW25D201D5N-US NBW25D201D5N-EU		
	Corriente de salida	36,3 W		
	Tensión de entrada	100-240 V ~ 50-60 Hz		
	Máx. tensión de salida	25,2 V ---		
	Salida nominal	24,2 V \pm 5 A		
Neumático	Neumáticos	Neumáticos interiores huecos amortiguadores de 8,1 pulgadas		
Otro	Indicadores de dirección	N/A Indicadores de dirección delanteros y traseros		

[1] Rango teórico: comprobado mientras se conduce con batería completamente cargada, 75 kg (165 lb) de carga, 25 °C (77 °F), 70 % de máx. velocidad promedio en calzada. [2]:

Alcance por debajo de la velocidad máxima: Probado mientras se circula con la batería llena, 75 kg (165 lb) de carga, 25 °C (77 °F), a la velocidad máxima media sobre asfalto. **03** * Algunos de los factores que afectan al rango incluyen: velocidad, carga, número de arranques y paradas, temperatura ambiente, etc.

	Artículo	Parámetro	
Producto	Nombre	Ninebot KickScooter E2 Plus	
	Modelo	051402E	051402B
	Largo × ancho × alto	Approx. 1070 × 445 × 1140 mm (42,1 × 17,5 × 44,9 pulg.)	
	Plegado: Largo × ancho × alto	Approx. 1070 × 445 × 504 mm (42,1 × 17,5 × 19,8 pulg.)	
Conductor	Peso neto	Aprox. 15,3 kg (33.7 lb)	
	Carga útil máxima	90 kg (198 lb)	
	Edad recomendada	De 14 a 60 años	
Máquina	Altura requerida	130-190 cm (4'3"-6'2")	
	Velocidad máx.	Aprox. 25 km/h (15,5 mph)	
	Rango teórico ^[1]	Aprox. 25 km (15,5 millas)	
	Alcance por debajo de la velocidad máxima ^[2]	Aprox. 20 km (12,4 millas)	
	Pendiente máxima	Aprox. 12 %	
	Terreno transitable	Carreteras en su mayoría lisas o asfalto normal, carreteras asfaltadas	
	Temperatura de funcionamiento	De -10 °C a 40 °C (de 14 °F a 104 °F)	
	Temperatura de almacenamiento	De -10 °C a 50 °C (de 14 °F a 122 °F)	
	Clasificación IP	IPX4	
	Duración de la carga	Aprox. 7,5 h	
Batería	Tensión nominal	21,6 V ---	
	Máx. tensión de carga	25,2 V ---	
	Temperatura de carga	De 0 °C a 44 °C (de 32 °F a 111 °F)	
	Energía nominal	220 Wh	
	Capacidad nominal	10,2 Ah	
Motor	Sistema de gestión de la batería	Protección contra sobretensión/subtensión/cortocircuito/sobrecorriente/sobretemperatura	
	Corriente nominal	0,3 kW, 300 W	
Cargador	Potencia máx.	0,50 kW, 500 W	
	Modelo	NBW25D201D5N-EU	NBW25D201D5N-US
	Corriente de salida	36,3 W	
	Tensión de entrada	100-240 V ~ 50-60 Hz	
	Máx. tensión de salida	25,2 V ---	
Neumático	Salida nominal	24,2 V \pm 5 A	
	Neumáticos	Neumáticos interiores huecos amortiguadores de 8,1 pulgadas	

[1] Rango teórico: comprobado mientras se conduce con batería completamente cargada, 75 kg (165 lb) de carga, 25 °C (77 °F), 70 % de máx. velocidad promedio en calzada.

[2] Alcance por debajo de la velocidad máxima: Probado mientras se circula con la batería llena, 75 kg (165 lb) de carga, 25 °C (77 °F), a la velocidad máxima media sobre asfalto. * Algunos de los factores que afectan al rango incluyen: velocidad, carga, número de arranques y paradas, temperatura ambiente, etc.

3 Homologaciones

Este producto está certificado según ANSI/CAN/UL-2272 por TUV Rheinland.

La batería es conforme con UN/DOT 38.3.

La batería cumple con ANSI/CAN/UL-2271.

Declaración de cumplimiento de la Unión Europea Información importante sobre RAEE



Este símbolo en el producto o en su embalaje indica que los productos eléctricos y electrónicos usados no deben mezclarse con los residuos municipales sin clasificar. Para un tratamiento adecuado, es su responsabilidad deshacerse de su equipo de desecho organizándose para devolverlo a los puntos de recolección designados. La eliminación correcta de este producto ayudará a ahorrar recursos valiosos y evitará cualquier posible efecto negativo en la salud humana y el medio ambiente, que de otro modo podría derivarse de un manejo inadecuado de los desechos. Pueden aplicarse sanciones por la eliminación incorrecta de estos residuos, de acuerdo con su legislación nacional. Póngase en contacto con su autoridad local para obtener más información sobre el punto de recogida designado más cercano.

Información de reciclaje de baterías para usuarios



Este símbolo significa que las baterías y acumuladores, al final de su vida útil, no deben mezclarse con residuos municipales sin clasificar. Su participación es una parte importante del esfuerzo para minimizar el impacto de las baterías y acumuladores en el medio ambiente y en la salud humana. Para un reciclaje adecuado, puede devolver este producto o las baterías o acumuladores que contiene a su proveedor o a un punto de recogida designado. La eliminación correcta de este producto ayudará a ahorrar recursos valiosos y evitará cualquier posible efecto negativo en la salud humana y el medio ambiente, que de otro modo podría derivarse de un manejo inadecuado de los desechos. Pueden aplicarse sanciones por la eliminación incorrecta de estos residuos, de acuerdo con su legislación nacional. Existen sistemas de recogida selectiva de baterías y acumuladores usados. Deseche las baterías y acumuladores correctamente en el centro de reciclaje/recolección de residuos de su comunidad local.

La Directiva de equipos de radio

Ninebot (Changzhou) Tech Co., Ltd. declara por la presente que el producto enumerado en esta sección cumple con los requisitos esenciales y otras disposiciones relevantes de la Directiva de equipos de radio 2014/53/EU.

Restricción del uso de la Directiva de Restricción de Sustancias Peligrosas (RoHS)

Ninebot (Changzhou) Tech Co., Ltd. declara por la presente que todo el producto, incluidas las piezas (cables, cordones, etc.), cumple con los requisitos de la Directiva RoHS 2011/65/UE y la enmienda de la Directiva Delegada (UE) 2015/863 de la Comisión sobre la restricción del uso de ciertas sustancias peligrosas en equipos eléctricos y electrónicos ("RoHS refundido" o "RoHS 2.0").

Directiva de maquinaria

Ninebot (Changzhou) Tech Co., Ltd. declara por la presente que el producto enumerado en esta sección cumple con los requisitos esenciales y otras disposiciones relevantes de la Directiva de Maquinaria 2006/42/EC.



Representante autorizado de la UE:

Segway-Ninebot Europa

Dynamostraat 7, 1014 BN Amsterdam, Países Bajos.

Ninebot (Changzhou) Tech Co., Ltd. declara por la presente que el modelo del producto: 051401E, 051401B, 051401D, 051402E, 051402B cumplen con los requisitos esenciales y otras disposiciones relevantes de la Directiva de Equipos de Radio 2014/53/EU, la directiva de maquinaria 2006/42/EC, y la Directiva RoHS 2011/65/EU y la enmienda de la Directiva Delegada de la Comisión (EU) 2015/863.

La declaración de conformidad puede consultarse en la siguiente dirección:
<https://eu-en.segway.com/instruction-manuals>

Declaración de cumplimiento del Reino Unido

Normativas de Equipos de Radio 2017 Ninebot (Changzhou) Tech Co., Ltd. declara por la presente que el producto enumerado en esta sección cumple con los requisitos esenciales y otras disposiciones relevantes de las Normativas de Equipos de Radio 2017.

La Restricción del Uso de Ciertas Sustancias Peligrosas en las Normativas de Equipos Eléctricos y Electrónicos 2012

Ninebot (Changzhou) Tech Co., Ltd. declara por la presente que todo el producto, incluidas las piezas (cables, cordones, etc.), cumple con los requisitos de la Restricción del uso de ciertas sustancias peligrosas en las Normativas de Equipos Eléctricos y Electrónicos de 2012.

Normativas de Suministro de Maquinaria (Seguridad) de 2008

Ninebot (Changzhou) Tech Co., Ltd. declara por la presente que el producto enumerado en esta sección cumple con los requisitos esenciales y otras disposiciones relevantes de las Normativas de Suministro de Maquinaria (Seguridad) de 2008.



Representante autorizado en el Reino Unido:

UKCA Experts Ltd.

Dept 302, 43 Owston Road Carcroft, Doncaster, DN6 8DA, Reino Unido

Ninebot (Changzhou) Tech Co., Ltd. declara por la presente que el modelo del producto: 051401B, 051402B cumplen con los requisitos esenciales y otras disposiciones relevantes de las Normativas de Equipos de Radio 2017, las Normativas de Suministro de Maquinaria (Seguridad) de 2008 y las Normativas de Restricción del Uso de Ciertas Sustancias Peligrosas en Equipos Eléctricos y Electrónicos de 2012.

La declaración de conformidad se puede consultar en la siguiente dirección: www.segway.com

Bluetooth	Bandas de frecuencia	2,4000-2,4835 GHz
	Máx. potencia de RF	1 mW

4 Marca comercial

Ninebot es la marca registrada de Ninebot (Beijing) Tech Co., Ltd; Segway y Rider Design son marcas comerciales registradas de Segway Inc., App Store y el logotipo de Apple son marcas comerciales de Apple Inc. Google Play y el logotipo de Google Play son marcas comerciales de Google LLC. La marca denominativa y los logotipos de Bluetooth son marcas comerciales registradas propiedad de Bluetooth® SIG, Inc. y cualquier uso de dichas marcas por parte de Segway-Ninebot se realiza bajo licencia. Otras marcas y nombres comerciales pertenecen a sus respectivos propietarios.

El KickScooter está cubierto por las patentes correspondientes. Para obtener información sobre patentes, vaya a <http://www.segway.com>

Hemos intentado incluir descripciones e instrucciones de todas las funciones del KickScooter en el momento de la impresión. Sin embargo, debido a la mejora constante de las funciones del producto y a los cambios en el diseño, es posible que su KickScooter presente ligeras diferencias respecto al que se muestra en este documento. Escanee el código QR o visite Apple App Store (iOS) o Google Play Store (Android) para descargar e instalar la aplicación.

Tenga en cuenta que disponemos de varios modelos de Segway y Ninebot con diferentes funciones, y algunas de las funciones mencionadas en este documento puede no tenerlas su unidad. El fabricante se reserva el derecho a modificar el diseño y las funciones del producto KickScooter y la documentación sin previo aviso.

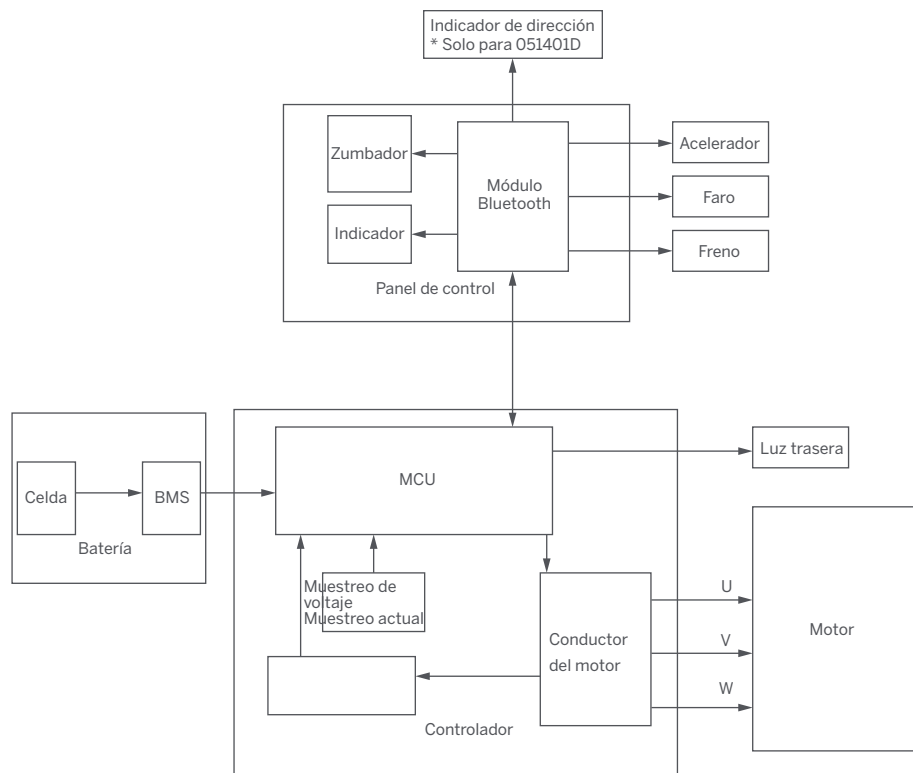
© 2023 Ninebot (Beijing) Tech Co., Ltd. Todos los derechos reservados.

(※ La aplicación Segway-Ninebot es compatible con KickScooter con Bluetooth integrado)

5 Fallos comunes

Código de	Posibles causas	Solución
10	Fallo de comunicación Bluetooth	Compruebe la conexión del cable de comunicación del panel de control y del cable de control, o póngase en contacto con el servicio postventa o con un distribuidor autorizado.
11	Muestreo anormal de la corriente de fase 1A del motor	Póngase en contacto con el servicio posventa o un distribuidor autorizado.
12	Muestreo anormal de la corriente de fase 1B del motor	
13	Muestreo anormal de la corriente de fase 1C del motor	
14	Muestreo anormal del sensor hall del acelerador	Compruebe si el acelerador está presionado cuando se enciende, o póngase en contacto con el servicio postventa o con un distribuidor autorizado.
15	Muestreo anormal del sensor hall del freno	Compruebe si la palanca de freno está apretada cuando se enciende, o póngase en contacto con el servicio postventa o con un distribuidor autorizado.
24	Tensión anormal por defecto	Compruebe si el cable conectado con el cable de comunicación de la batería y el controlador está suelto, o póngase en contacto con el servicio postventa o con un distribuidor autorizado.
26	Escritura/lectura anormal de datos	Póngase en contacto con el servicio posventa o un distribuidor autorizado.
31	Funcionamiento incorrecto de FLASH	
35	Número de referencia predeterminado	Compruebe si el número de referencia del KickScooter es el número de referencia predeterminado.
39	Temperatura anormal de la batería	Compruebe el entorno de trabajo de la batería, o póngase en contacto con el servicio postventa o con un distribuidor autorizado.
40	Temperatura anormal del controlador	La temperatura del controlador es demasiado alta, póngase en contacto con el servicio postventa o con un distribuidor autorizado.
41	Temperatura anormal del motor	
42	Motor no calibrado	Póngase en contacto con el servicio posventa o un distribuidor autorizado.
45	Muestreo anormal de la corriente de bus	
50	Pérdida de fase motora	Compruebe si el cable conectado con el motor y el controlador está suelto, o póngase en contacto con el servicio postventa o con un distribuidor autorizado.
52	Motor parado	Compruebe si el KickScooter está sobrecargado o póngase en contacto con el servicio postventa o con un distribuidor autorizado.

6 Diagrama de cableado



7 Programa de mantenimiento recomendado

Para garantizar una conducción segura, el cuidado diario y el mantenimiento periódico son esenciales. Usted, el propietario, debe conocer y controlar la frecuencia con la que usa su patinete, la intensidad con la que lo usa y dónde lo usa. Es responsabilidad del propietario realizar controles periódicos y llevar su patinete al centro de servicio autorizado para su inspección y servicio. Consulte el programa de mantenimiento a continuación.

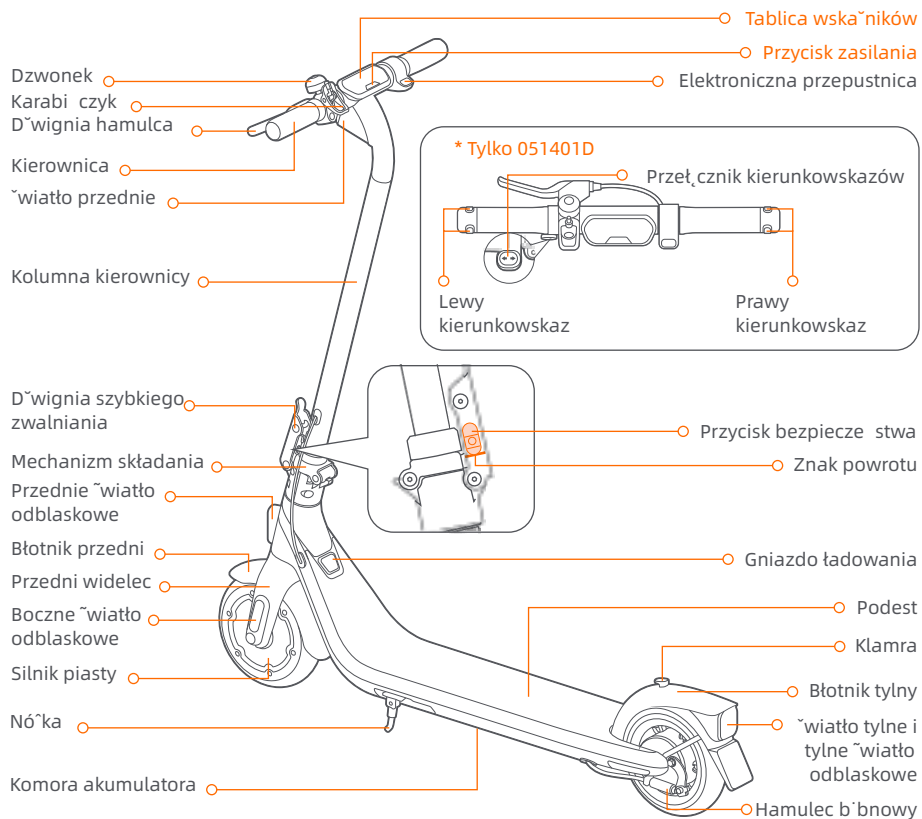
Nota: El programa de mantenimiento precisa el pago de la tarifa de servicio.

Artículo	Componente	Método de mantenimiento	Cada 6 meses cada 3 meses	Cada 500 km (310 millas)	Después de 2 años o el kilometraje total > 3107 milla (5000 km)
Mantenimiento del cuadro	Piezas del cuadro	Use un paño suave y húmedo para limpiar el cuadro.	✓	✓	✓
	Desgaste de los neumáticos	Compruebe si los neumáticos están agrietados, deformados o muy gastados.		✓	✓
	Tornillos en la parte superior del mástil	Apriete los seis tornillos fijados al manillar y al mástil. El par sugerido es de $5,5 \pm 0,3$ N·m.	✓	✓	✓
		Apriete el tornillo del acelerador. El par sugerido es de $2 \pm 0,1$ N·m. Apriete los tornillos de las palancas de freno. El par sugerido es de $5 \pm 0,1$ N·m. Apriete los tornillos en la parte superior del mástil. El par sugerido es de $2 \pm 0,1$ N·m.		✓	✓
Inspección de funciones	Motor de rueda	Para acelerar y desacelerar, verifique si el motor de rueda está atascado o tiene sonidos anormales.		✓	✓
	Mantenimiento de la rueda trasera	Compruebe si la rueda trasera se atasca o se inmoviliza, o si el eje está desequilibrado.		✓	✓
	Freno de tambor	1) Gire la rueda trasera, gira con normalidad. La rueda trasera no debe atascarse ni hacer sonidos anormales. Nota: el ruido leve no afecta a la seguridad de conducción. Pero si el freno de tambor hace un ruido fuerte al frenar, comuníquese con el servicio de atención al cliente para obtener ayuda. 2) Apriete la palanca de freno, la rueda trasera deja de moverse.		✓	✓

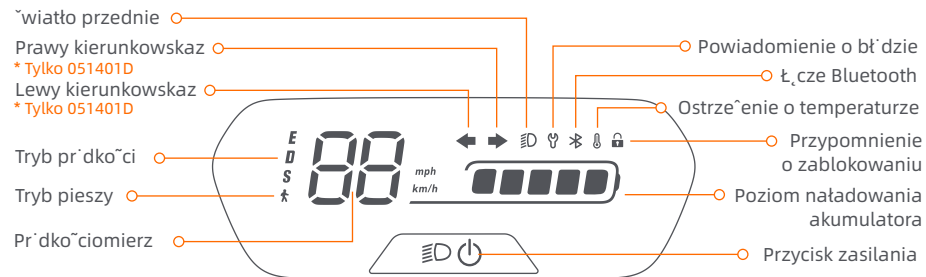
Artículo	Componente	Método de mantenimiento	Cada 3 meses	Cada 6 meses o cada 500 km (310 millas)	Después de 2 años o el kilometraje total > 3107 (5000 km)
Inspección de funciones	Faro	Revise el faro y vea si se enciende con fuerza.		✓	✓
	Indicadores de dirección * Solo para 051401D	Cambie el botón del indicador de dirección a la izquierda/derecha respectivamente, verifique si los indicadores de dirección en el lado izquierdo/derecho parpadean con normalidad.		✓	✓
	Panel de control	Encienda el patinete, el panel de control debe funcionar correctamente.		✓	✓
	Acelerador	Mantenga presionado el acelerador, luego suéltelo, verificando la aceleración y la desaceleración.		✓	✓
	Detección de fallos	Después de conectarse con la aplicación Segway-Ninebot: 1) Actualice el firmware a la última versión. 2) Compruebe si la notificación del código de error correspondiente y las posibles causas aparecen cuando el patinete detecta un error.		✓	✓
	Carga	Cargue el patinete: 1) Verifique si la energía actual de la batería se muestra en el panel de control. 2) Revise el indicador LED en el cargador de la batería. Cargando: rojo. Completamente cargado: verde.		✓	✓
	Botones	Presione o alterne el botón 3 veces sin fallar.		✓	✓
	Dirección	Pruebe con giros a la izquierda y giros a la derecha (el ángulo de dirección es 60°). Sin resistencia ni retraso al girar.		✓	✓
Piezas importantes	Conjunto de baterías	La batería debe reemplazarse cuando se cargue y descargue 500 veces o cuando el kilometraje total sea superior a 10 000 km (6 213 millas). Nota: Se recomienda cargar una vez cada 60 días en caso de almacenamiento a largo plazo.			✓
	Controlador	Se deben utilizar piezas originales de Segway-Ninebot para reparaciones y recambios.			
	Motor de rueda				

Artículo	Componente	Método de mantenimiento	Cada 3 meses	Cada 6 meses o cada 500 km (310 millas)	Después de 2 años o el kilometraje total > 3107 (5000 millas)
Piezas funcionales	Rueda trasera	Se deben utilizar piezas originales de Segway-Ninebot para reparaciones y recambios.			✓
	Palancas de acelerador y freno				
	Conjunto de horquillas delanteras				
	Mecanismo de plegado				
	Conjunto de freno de disco				
	Panel de control				

1 Rysunek



Tablica wskaźników i przycisk zasilania



Przycisk zasilania: Naciñnij przycisk, aby włączy hulałnog; naciñnij i przytrzymaj przycisk przez 2 sekundy, aby j, wyłczy. Gdy hulałnoga jest włączona, naciñnij przycisk, aby włączy/wyłczy wiatła przednie i tylne. Dwukrotne naciñnie powoduje przełczanie między trybami prdkoci. Naciñnij pi razy, aby przełczy jednostki z km/h na mph. **Prdkociomierz:** Wyświetla bie, c, prdko hulałnogi oraz kody błdów.

Tryb pieszy: Wiatła przednie i tylne s, zawsze włączone i nie mo na ich wyłczy.

Tryb prdkoci: S, dost pnie 4 tryby. Prdko maksymalna jest nast puj, ca:

Tryb	Model	Ograniczenie prdkoci E2	Ograniczenie prdkoci E2 Plus	Zasi g E2*	Zasi g E2 Plus*
E (tryb oszcz dzania energii)		15 km/h (9,3 mph)	15 km/h (9,3 mph)	25 km (15,5 mili)	25 km (15,5 mili)
D (tryb standardowy)		20 km/h (12,4 mph)	20 km/h (12,4 mph)	20 km (12,4 mili)	25 km (15,5 mili)
S (tryb sportowy)		20 km/h (12,4 mph)	25 km/h (15,5 mph)	20 km (12,4 mili)	20 km (12,4 mili)
† (Tryb pieszy)		5 km/h (3,1 mph)	5 km/h (3,1 mph)	25 km (15,5 mili)	25 km (15,5 mili)

*Zasi g w poszczególnych trybach prdkoci: Testowany podczas jazdy z pełnym akumulatorem, z obci eniem 75 kg (165 funtów), w temperaturze 25°C (77°F) i u rednion, prdkoci, maksymaln, ka dego trybu prdkoci na utwardzonej nawierzchni.

Lewy kierunkowskaz: Błyskanie tej ikony sygnalizuje włączenie kierunkowskazów po lewej stronie.

Prawy kierunkowskaz: Błyskanie tej ikony sygnalizuje włączenie kierunkowskazów po prawej stronie.

Powiadomienie o b'dzie: Wskazuje, e hulałnoga wykryła błd.

Ostrzeenie o temperaturze: Wskazuje, e temperatura akumulatora osi gnła 55°C (131°F) lub jest ni sza ni 0°C (32°F). * W tym momencie hulałnoga nie mo e normalnie przyspiesza i nie mo na jej ładowa. Nie nale y u ywa hulałnogi, dopóki temperatura nie powróci do normalnego zakresu.

Bluetooth: Wskazuje, e połączenie hulałnogi z urządzeniem mobilnym powiodło si.

Poziom naładowania akumulatora: Pełne naładowanie akumulatora jest oznaczone 5 słupkami.

* Poziom naładowania akumulatora jest bardzo niski, gdy pierwszy słupek jest czerwony. Nale y jak najszybciej naładowa hulałnog.

Przypomnienie o zablokowaniu: Gdy ikona si wiewci, oznacza to, e hulałnoga jest zablokowana. Je li zostan, wykryte nieprawidłowe ruchy, hulałnoga zacznie emitowa sygnał d wi kwowy i wiatro tylne b dzie miga.

2 Dane techniczne

	Pozycja	Parametr			
Produkt	Nazwisko	Ninebot KickScooter E2			
	Model	051401E	051401B	051401D	
	Długość × szerokość × wysokość	Około 1070 × 445 × 1140 mm (42,1 × 17,5 × 44,9 cala)		Około 1070 × 473 × 1140 mm (42,1 × 18,6 × 44,9 cala)	
	Położenie: długość × szerokość × wysokość	Około 1070 × 445 × 504 mm (42,1 × 17,5 × 19,8 cala)		Około 1070 × 473 × 504 mm (42,1 × 18,6 × 19,8 cala)	
	Masa netto	Około 15 kg (33,1 funtów)		Około 15,1 kg (33,3 funtów)	
Kierowca	Maks. obciążenie użytkowne	90 kg (198 funtów)			
	Zalecany wiek	14-60 lat			
	Wymagana wysokość	130-190 cm (4'3"-6'2")			
	Prędkość maks.	Około 20 km/h (12,4 mph)			
Pojazd	Teoretyczny zasięg [1]	Około 25 km (15,5 mili)			
	Zasięg przy prędkości maksymalnej [2]	Około 20 km (12,4 mili)			
	Nachylenie maks.	Około 12%			
	Nawierzchnia nadająca się do jeżdżenia	Przeważnie drogi o gładkiej nawierzchni lub normalne drogi asfaltowe			
	Temperatura robocza	-10-40°C (14-104°F)			
	Temperatura przechowywania	-10-50°C (14-122°F)			
	Stopień ochrony IP	IPX4			
	Czas ładowania	Około 7,5 godz.			
	Akumulator	Napięcie nominalne	21,6 V		
		Max. napięcie ładowania	25,2 V		
Temperatura ładowania		0-44°C (32-111°F)			
Energia nominalna		220 Wh			
Pojemność nominalna		10,2 Ah			
Silnik	System zarządzania akumulatorem	Zabezpieczenie przed przepięciem/pod napięciem/zwarciem/przetęciem/nadmierną temperaturą			
	Moc nominalna	0,25 kW, 250 W			
Ładowarka	Moc maksymalna	0,45 kW, 450 W			
	Model	NBW25D201D5N-EU	NBW25D201D5N-US	NBW25D201D5N-EU	
	Moc wyjściowa	36,3 W			
	Napięcie wejściowe	100-240 V ~ 50-60 Hz			
	Maks. napięcie wyjściowe	25,2 V			
	Moc wyjściowa znamionowa	24,2 V ± 5 A			
Opona	Opony	8,1-calowe amortyzujące opony druciane			
Inne	Kierunkowskazy	ND. Przednie i tylne kierunkowskazy			

[1]: Teoretyczny zasięg: testowany podczas jazdy z pełną naładowanym akumulatorem, obciążeniem 75 kg (165 funtów), w temperaturze 25°C (77°F), przy średnio 70% prędkości maksymalnej na nawierzchni utwardzonej. [2]: Zasięg przy prędkości maksymalnej: Testowany podczas jazdy z pełnym akumulatorem, obciążeniem 75 kg (165 funtów), w temperaturze 25°C (77°F) i uśrednioną prędkości maksymalnej na utwardzonej nawierzchni. * Niektóre z czynników wpływających na zasięg to: prędkość, obciążenie, liczba ruszeń i zatrzymań, temperatura otoczenia itp.

	Pozycja	Parametr	
Produkt	Nazwisko	Ninebot KickScooter E2 Plus	
	Model	051402E	051402B
	Długość × szerokość × wysokość	Około 1070 × 445 × 1140 mm (42,1 × 17,5 × 44,9 cala)	
	Położenie: długość × szerokość × wysokość	Około 1070 × 445 × 504 mm (42,1 × 17,5 × 19,8 cala)	
Kierowca	Maks. obciążenie użytkowne	90 kg (198 funtów)	
	Zalecany wiek	14-60 lat	
	Wymagana wysokość	130-190 cm (4'3"-6'2")	
	Prędkość maks.	Około 25 km/h (15,5 mph)	
Pojazd	Teoretyczny zasięg [1]	Około 25 km (15,5 mili)	
	Zasięg przy prędkości maksymalnej [2]	Około 20 km (12,4 mili)	
	Nachylenie maks.	Około 12%	
	Nawierzchnia nadająca się do jeżdżenia	Przeważnie drogi o gładkiej nawierzchni lub normalne drogi asfaltowe	
	Temperatura robocza	-10-40°C (14-104°F)	
	Temperatura przechowywania	-10-50°C (14-122°F)	
	Stopień ochrony IP	IPX4	
	Czas ładowania	Około 7,5 godz.	
Akumulator	Napięcie nominalne	21,6 V	
	Max. napięcie ładowania	25,2 V	
	Temperatura ładowania	0-44°C (32-111°F)	
	Energia nominalna	220 Wh	
Silnik	Pojemność nominalna	10,2 Ah	
	System zarządzania akumulatorem	Zabezpieczenie przed przepięciem/pod napięciem/zwarciem/przetęciem/nadmierną temperaturą	
Ładowarka	Moc nominalna	0,3 kW, 300 W	
	Moc maksymalna	0,50 kW, 500 W	
	Model	NBW25D201D5N-EU	NBW25D201D5N-US
Opona	Moc wyjściowa	36,3 W	
	Napięcie wejściowe	100-240 V ~ 50-60 Hz	
	Maks. napięcie wyjściowe	25,2 V	
Opona	Moc wyjściowa znamionowa	24,2 V ± 5 A	
	Opony	8,1-calowe amortyzujące opony druciane	

[1]: Teoretyczny zasięg: testowany podczas jazdy z pełną naładowanym akumulatorem, obciążeniem 75 kg (165 funtów), w temperaturze 25°C (77°F), przy średnio 70% prędkości maksymalnej na nawierzchni utwardzonej.

[2]: Zasięg przy prędkości maksymalnej: Testowany podczas jazdy z pełnym akumulatorem, obciążeniem 75 kg (165 funtów), w temperaturze 25°C (77°F) i uśrednioną prędkości maksymalnej na utwardzonej nawierzchni.

* Niektóre z czynników wpływających na zasięg to: prędkość, obciążenie, liczba ruszeń i zatrzymań, temperatura otoczenia itp.

3 Certyfikaty

Ten produkt otrzymał certyfikat ANSI/CAN/UL-2272 wydany przez TUV Rheinland.

Akumulator jest zgodny ze standardem UN/DOT 38.3.

Akumulator spełnia wymagania normy ANSI/CAN/UL-2271.

Oświadczanie o zgodności z przepisami Unii Europejskiej
Ważne informacje dotyczące ZSEE



Ten symbol na produkcie lub na jego opakowaniu informuje, że zużytych produktów elektrycznych i elektronicznych nie należy mieszać z niesortowanymi odpadami komunalnymi. W celu prawidłowego przetworzenia obowiązkowo należy je oddać do odpowiedniego punktu zbiórki. Prawidłowa utylizacja tego produktu pomoże zaoszczędzić cenne zasoby i zapobiec potencjalnym negatywnym skutkom dla zdrowia ludzkiego i środowiska, które mogłyby powstać w wyniku niewłaściwego postępowania z odpadami. Za nieprawidłowe usuwanie tych odpadów mogą obowiązywać kary zgodne z przepisami obowiązującymi w danym kraju. Prosimy o kontakt z władzami lokalnymi w celu uzyskania szczegółów dotyczących najbliższego wyznaczonego punktu zbiórki.

Informacje dla użytkowników dotyczące recyklingu akumulatora



Ten symbol oznacza, że baterie i akumulatory po zakończeniu ich eksploatacji nie mogą być mieszane z niesegregowanymi odpadami komunalnymi. Odgrywasz ważną rolę w minimalizowaniu wpływu baterii i akumulatorów na środowisko oraz zdrowie ludzkie. W celu prawidłowego recyklingu można zwrócić ten produkt lub zawarte w nim baterie albo akumulatory do dostawcy lub do wyznaczonego punktu zbiórki. Prawidłowa utylizacja tego produktu pomoże zaoszczędzić cenne zasoby i zapobiec potencjalnym negatywnym skutkom dla zdrowia ludzkiego i środowiska, które mogłyby powstać w wyniku niewłaściwego postępowania z odpadami. Za nieprawidłowe usuwanie tych odpadów mogą obowiązywać kary zgodne z przepisami obowiązującymi w danym kraju. Istnieją systemy selektywnego zbierania zużytych baterii i akumulatorów.

Baterie i akumulatory należy oddać do utylizacji w lokalnym centrum zbiórki/recyklingu odpadów.

Dyrektwa w sprawie urządzeń radiowych

Ninebot (Changzhou) Tech Co., Ltd. niniejszym oświadcza, że produkt wymieniony w tej części jest zgodny z zasadniczymi wymaganiami i innymi odpowiednimi postanowieniami dyrektywy w sprawie urządzeń radiowych 2014/53/UE.

Dyrektwa w sprawie ograniczenia stosowania niektórych niebezpiecznych substancji (RoHS) Ninebot (Changzhou) Tech Co., Ltd. niniejszym oświadcza, że cały produkt wraz z częściami (kable, przewody i tak dalej) spełnia wymagania dyrektywy RoHS 2011/65/UE i zmiany dyrektywy delegowanej Komisji (UE) 2015/863 w sprawie ograniczenia stosowania niektórych niebezpiecznych substancji w sprzęcie elektrycznym i elektronicznym („RoHS recast” lub „RoHS 2.0”).

Dyrektwa maszynowa

Ninebot (Changzhou) Tech Co., Ltd. niniejszym oświadcza, że produkt wymieniony w tej części jest zgodny z zasadniczymi wymaganiami i innymi odpowiednimi postanowieniami dyrektywy maszynowej 2006/42/WE.



Upoważniony przedstawiciel UE:

Segway-Ninebot Europe

Dynamostraat 7, 1014 BN Amsterdam, Niderlandy.

Ninebot (Changzhou) Tech Co., Ltd. niniejszym oświadcza, że modele produktu: 051401E, 051401B, 051401D, 051402E, 051402B są zgodne z zasadniczymi wymaganiami i innymi odpowiednimi przepisami dyrektywy w sprawie urządzeń radiowych 2014/53/UE, dyrektywy maszynowej 2006/42/WE oraz dyrektywy RoHS 2011/65/UE i zmiany dyrektywy delegowanej Komisji (UE) 2015/863.

Z deklaracji, zgodności można zapoznać się pod następującym adresem:

<https://eu-en.segway.com/instruction-manuals>

Oświadczanie o zgodności z przepisami obowiązującymi w Zjednoczonym Królestwie

Przepisy dotyczące urządzeń radiowych z 2017 r.

Ninebot (Changzhou) Tech Co., Ltd. niniejszym oświadcza, że produkt wymieniony w tej części jest zgodny z zasadniczymi wymaganiami i innymi odpowiednimi przepisami dotyczącymi urządzeń radiowych z 2017 r. (Radio Equipment Regulations 2017).

Przepisy dotyczące ograniczenia stosowania niektórych substancji niebezpiecznych w sprzęcie elektrycznym i elektronicznym z 2012 r.

Ninebot (Changzhou) Tech Co., Ltd. niniejszym oświadcza, że cały produkt wraz z częściami (kable, przewody i tak dalej) spełnia wymagania przepisów dotyczących ograniczenia stosowania niektórych substancji niebezpiecznych w sprzęcie elektrycznym i elektronicznym z 2012 r. (The Restriction of the Use of Certain Hazardous Substances in Electrical and Electronic Equipment Regulations 2012).

Przepisy bezpieczeństwa dotyczące dostaw urządzeń z 2008 r.

Ninebot (Changzhou) Tech Co., Ltd. niniejszym oświadcza, że produkt wymieniony w tej sekcji jest zgodny z zasadniczymi wymaganiami i innymi odpowiednimi przepisami bezpieczeństwa dotyczącymi dostaw urządzeń z 2008 r. (The Safety of Supply of Machinery (Safety) Regulations 2008).



Autoryzowany przedstawiciel w Zjednoczonym Królestwie:

UKCA Experts Ltd.

Dept 302, 43 Owston Road Carcroft, Doncaster, DN6 8DA, Wielka Brytania

Ninebot (Changzhou) Tech Co., Ltd. niniejszym oświadczają, że modele produktu: 051401B, 051402B są zgodne z zasadniczymi wymaganiami i innymi odpowiednimi postanowieniami przepisów dotyczących urządzeń radiowych z 2017 r. (Radio Equipment Regulations 2017), przepisów bezpieczeństwa dotyczących dostaw urządzeń z 2008 r. (Supply of Machinery (Safety) Regulations 2008) oraz przepisów dotyczących ograniczenia stosowania niektórych niebezpiecznych substancji w sprzęcie elektrycznym i elektronicznym z 2012 r. (Restriction of the Use of Certain Hazardous Substances in Electrical and Electronic Equipment Regulations 2012). Z deklaracji zgodności można zapoznać się pod następującym adresem: www.segway.com

Łączność Bluetooth	Pasma częstotliwości	2,4000-2,4835 GHz
	Maks. moc fal radiowych	1 mW

4 Znak towarowy

Ninebot jest znakiem towarowym firmy Ninebot (Beijing) Tech Co., Ltd; Segway i Rider Design są zastrzeżonymi znakami towarowymi firmy Segway Inc., App Store i Apple Logo są znakami towarowymi firmy Apple Inc. Google Play i logo Google Play są znakami towarowymi firmy Google LLC. Znak słowny i logo Bluetooth® są zastrzeżonymi znakami towarowymi należącymi do firmy Bluetooth® SIG, Inc., a wszelkie użycie tych znaków przez Segway-Ninebot podlega licencji. Pozostałe znaki towarowe i nazwy handlowe należą do ich odpowiednich właścicieli.

Hulajnoga KickScooter jest objęta odpowiednimi patentami. Informacje o patentach można znaleźć w witrynie <http://www.segway.com>

W momencie przekazania do druku staraliśmy się zawrzeć opisy i instrukcje dla wszystkich funkcji hulajnogi KickScooter. Jednak ze względu na ciągłe doskonalenie cech produktu i zmiany konstrukcyjne hulajnoga KickScooter może nieznacznie różnić się od przedstawionej w tym dokumencie. Aby pobrać i zainstalować aplikację, zeskanyj kod QR lub przejdź do sklepu Apple App Store (iOS) lub Google Play Store (Android).

Należy pamiętać, że istnieje wiele modeli pojazdów Segway i Ninebot z różnymi funkcjami, a niektóre z wymienionych tu funkcji mogą nie dotyczyć posiadanego pojazdu. Producent zastrzega sobie prawo do zmiany konstrukcji i funkcjonalności hulajnogi KickScooter oraz jej dokumentacji bez wcześniejszego powiadomienia.

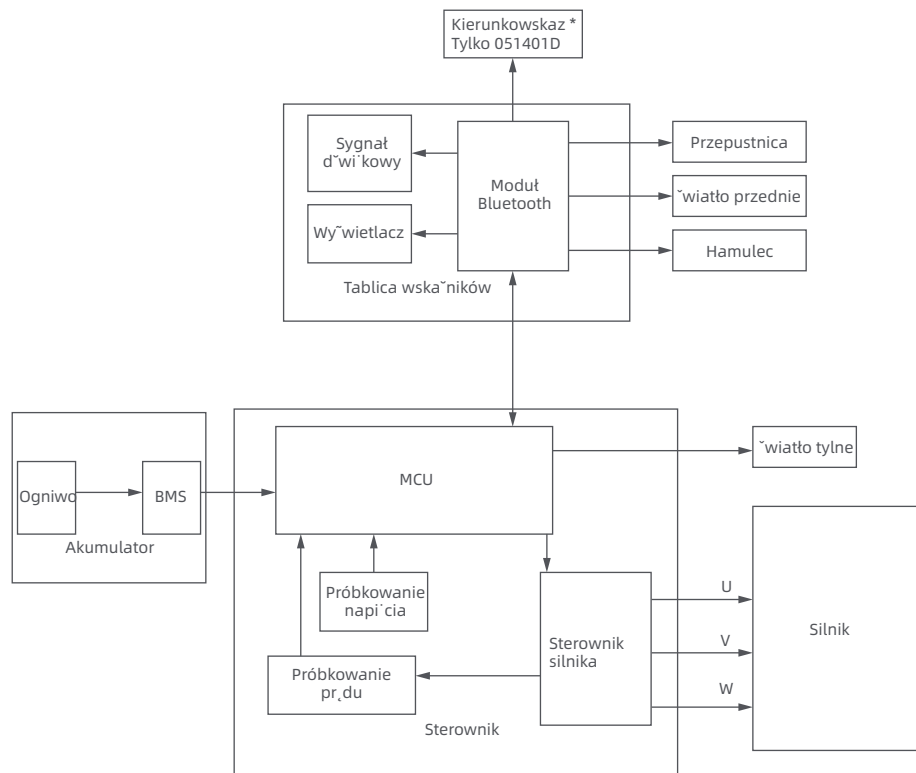
© 2023 Ninebot (Beijing) Tech Co., Ltd. Wszelkie prawa zastrzeżone.

(※ Aplikacja Segway-Ninebot może obsługiwać hulajnogę KickScooter z wbudowanym modułem Bluetooth)

5 Najczęstsze awarie

Kod błędny	Możliwe przyczyny	Rozwiązanie
10	Błąd komunikacji Bluetooth	Sprawdź połączenie przewodu komunikacyjnego tablicy wskaźników i przewodu sterującego lub skontaktuj się z działem obsługi posprzedażnej albo autoryzowanym sprzedawcą.
11	Nieprawidłowe próbkowanie prądu fazy 1A silnika	Skontaktuj się z działem obsługi posprzedażnej lub autoryzowanym sprzedawcą.
12	Nieprawidłowe próbkowanie prądu fazy 1B silnika	
13	Nieprawidłowe próbkowanie prądu fazy 1C silnika	
14	Nieprawidłowe próbkowanie elementu hallotronowego przepustnicy	Sprawdź, czy w momencie włączania zasilania przepustnica jest wciśnięta lub skontaktuj się z działem obsługi posprzedażnej albo autoryzowanym sprzedawcą.
15	Nieprawidłowe próbkowanie elementu hallotronowego hamulca	Sprawdź, czy w momencie włączania zasilania dźwignia hamulca jest naciśnięta lub skontaktuj się z działem obsługi posprzedażnej albo autoryzowanym sprzedawcą.
24	Nieprawidłowe napięcie domyślne	Sprawdź, czy przewód połączony z przewodem akumulatora i sterownikiem jest luźny lub skontaktuj się z działem obsługi posprzedażnej albo autoryzowanym sprzedawcą.
26	Nieprawidłowy zapis/odczyt danych	Skontaktuj się z działem obsługi posprzedażnej lub autoryzowanym sprzedawcą.
31	Nieprawidłowe działanie FLASH	
35	Domyślny numer seryjny	Sprawdź, czy numer seryjny hulajnogi KickScooter jest numerem domyślnym.
39	Nieprawidłowa temperatura akumulatora	Sprawdź otoczenie robocze akumulatora lub skontaktuj się z działem obsługi posprzedażnej albo autoryzowanym sprzedawcą.
40	Nieprawidłowa temperatura sterownika	Temperatura sterownika jest zbyt wysoka, skontaktuj się z działem obsługi posprzedażnej lub autoryzowanym sprzedawcą.
41	Nieprawidłowa temperatura silnika	
42	Silnik nie jest skalibrowany	Skontaktuj się z działem obsługi posprzedażnej lub autoryzowanym sprzedawcą.
45	Nieprawidłowe próbkowanie prądu przewodu głównego	
50	Utrata fazy silnika	Sprawdź czy przewód połączony z silnikiem i sterownikiem jest luźny lub skontaktuj się z działem obsługi posprzedażnej albo autoryzowanym sprzedawcą.
52	Silnik został zatrzymany	Sprawdź, czy hulajnoga KickScooter nie jest przecięta lub skontaktuj się z działem obsługi posprzedażnej albo autoryzowanym sprzedawcą.

6 Schemat połączeń



7 Zalecany harmonogram konserwacji

Codzienna pielęgnacja i regularna konserwacja ma kluczowe znaczenie dla bezpieczeństwa jazdy. Jako właściciel masz kontrolę i wiedzę na temat czystości, intensywności i warunków użytkowania swojej hulajnogi. Obowiązkiem właściciela jest regularne sprawdzanie i przekazywanie hulajnogi do autoryzowanego centrum serwisowego na przegląd i obsługę serwisową. Zapoznaj się z poniższym harmonogramem konserwacji.

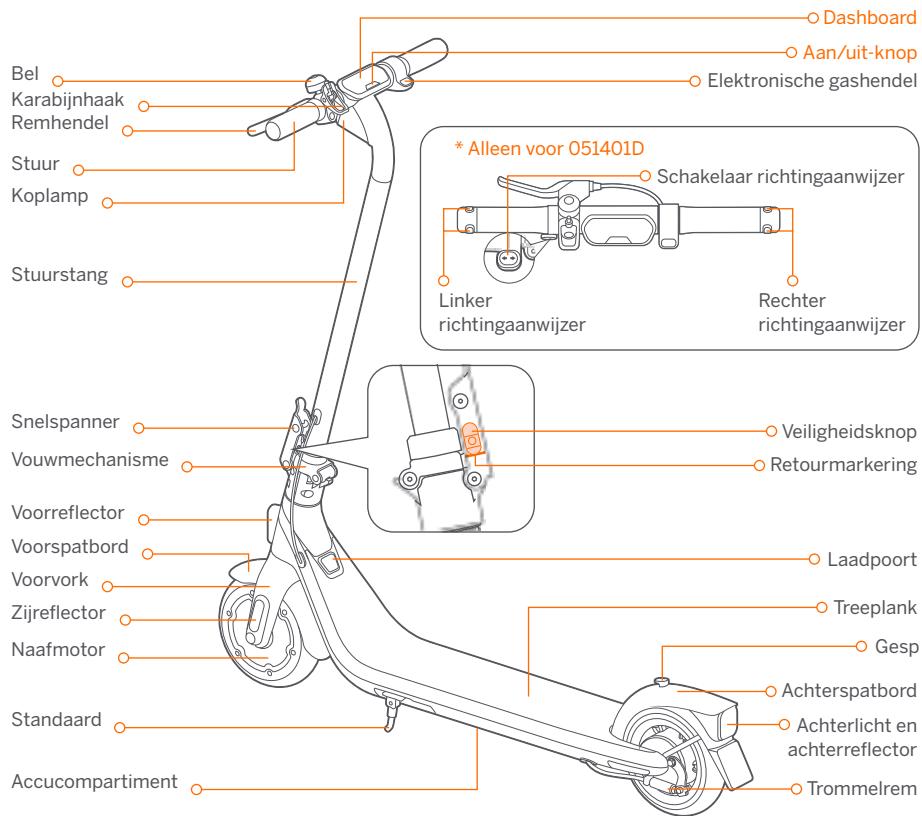
Uwaga: ten harmonogram konserwacji wiąże się z opłatą za usługę.

pozycja	Podzespół	Metoda konserwacji	Co 6 miesięcy lub co miesiąc 500 km	Co 3 miesiące 500 (310 mil)	Co 2 latach lub po całkowitym przebiegu > 5000 (3107 mil)
Konserwacja ramy głównej	Człony ramy głównej	Oczyszczenie ramy głównej, przecieranie, mycie, wilgotna szmatka			
	Zużycie opon	Sprawdzenie, czy opony nie są popękane, zdeformowane lub znacząco zużyte.			
	Śruby na górze kolumny kierownicy	Dokręcenie śrub mocujących kierownicę i jej kolumnę. Sugerowany moment dokręcania to 5,5±0,3 Nm. Dokręcenie śrub przepustnicy. Sugerowany moment dokręcania to 2±0,1 Nm. Dokręcenie śrub dźwigni hamulców. Sugerowany moment dokręcania to 5±0,1 Nm. Dokręcenie śrub na górze kolumny kierownicy. Sugerowany moment dokręcania to 2±0,1 Nm.			
Kontrola działania	Silnik piasty	Przyspieszanie i zwalnianie, sprawdzenie, czy silnik piasty nie blokuje się ani nie wydaje nietypowych odgłosów.			
	Konserwacja tylnego koła	Sprawdzenie, czy tylne koło nie jest zablokowane lub luźne oraz czy watek osi nie jest niewyważony.			
	Hamulec bębnowy	1) Zakręcić tylnym kołem i sprawdzić, czy obraca się prawidłowo. Tylny koło nie może się blokować ani wydawać nietypowych odgłosów. Uwaga: Niewielki hałas nie wpływa na bezpieczeństwo jazdy. Jeśli jednak podczas hamowania hamulec bębnowy wydaje głośnie dźwięki, należy skontaktować się z obsługą klienta. 2) Naciśnij dźwignię hamulca, tylne koło się zatrzymuje.			

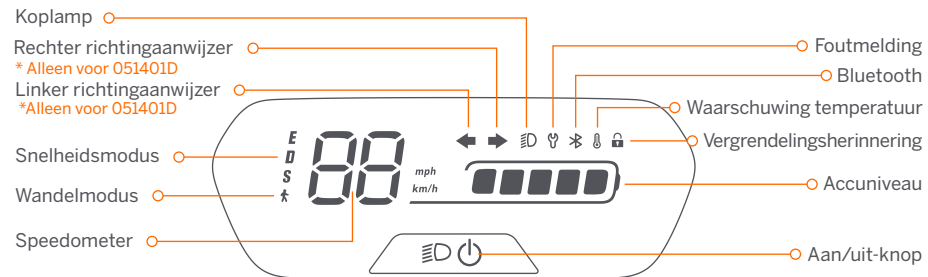
Pozycja	Podzespół	Metoda konserwacji	Co 6 miesięcy Co 3 lub co miesiąc, ce 500 km (310 mil)	Co 3 miesiące	Po 2 latach lub przy całkowitym przebiegu > 5000 km (3107 mil)
Kontrola działania	Wiatło przednie	Sprawdź wiatło przednie i zobacz, czy wiecei jasno.			
	Kierunkowskazy * Tylko 051401D	Sprawdź, czy kierunkowskazy po lewej/prawej stronie migają prawidłowo, przestawiając przelicznik kierunkowskazów odpowiednio na lewo/prawo.			
	Tablica wskaźników	Włącz hulajnog i sprawdź, czy tablica wskaźników działa prawidłowo.			
	Przepustnica	Sprawdź przyspieszanie i zwalnianie, naciskając i przytrzymując przepustnicę, a następnie ją zwalniasz.			
	Wykrywanie usterek	Po potęczeniu z aplikacji Segway-Ninebot: 1) Zaktualizuj oprogramowanie wbudowane do najnowszej wersji. 2) Sprawdź, czy powiadomienie o odpowiednim kodzie błędów i możliwych przyczynach pojawi się, gdy hulajnoga wykryje błąd.			
	Ładowanie	Naładuj hulajnogę: 1) Sprawdź, czy bieżący poziom naładowania akumulatora jest wyświetlany na tablicy wskaźników. 2) Sprawdź wskaźnik LED na ładowarce akumulatora. Ładowanie: czerwony, w pełni naładowany: zielony.			
	Przyciski	Naciśnij lub przelicznik przycisk 3 razy, sprawdź, czy dana funkcja działa prawidłowo.			
	Kierowanie	Sprawdź, skrajnie w lewo i prawo (kąt skrętu 60°). Brak oporu lub opór nie podczas skręcania.			
Ważne czynniki	Montaż akumulatora	Akumulator należy wymienić po 500 cyklach ładowania i rozładowania lub po przekroczeniu całkowitego przebiegu 10 000 km (6213 mil). Uwaga: podczas długotrwałego przechowywania zaleca się ładowanie raz na 60 dni.			
	Sterownik	Podczas napraw i wymian należy używać oryginalnych części Segway-Ninebot.			
	Silnik piasty				

Pozycja	Podzespół	Metoda konserwacji	Co 6 miesięcy Co 3 lub co miesiąc, ce 500 km (310 mil)	Co 3 miesiące	Po 2 latach lub przy całkowitym przebiegu > 5000 km (3107 mil)
Czynniki funkcyjne	Zespół tylnego koła	Podczas napraw i wymian należy używać oryginalnych części Segway-Ninebot.			
	Przepustnica i dźwignie hamulców				
	Zespół przedniego widelca				
	Mechanizm składania				
	Zespół hamulca bębnowego				
	Tablica wskaźników				

1 Diagram



Dashboard & aan/uit-knop



Aan/uit-knop: Druk op de knop om de scooter in te schakelen; houd de knop 2 seconden ingedrukt om deze uit te schakelen. Wanneer de scooter is ingeschakeld, drukt u op de knop om de koplamp en het achterlicht in / uit te schakelen en drukt u twee keer om te schakelen tussen de snelheidsmodi. Druk vijf keer om te wisselen tussen km/h en mph. **Snelheidsmeter:** Het toont de huidige snelheid van de scooter, evenals foutcodes.

Wandelmodus: De koplamp en het achterlicht branden altijd en kunnen niet worden uitgeschakeld.

Snelheidsmodus: Er zijn 4 modi beschikbaar. De topsnelheid is als volgt:

Modus	Model	E2 snelheidslimiet	E2 Plus snelheidslimiet	Bereiken E2*	Bereiken E2 Plus*
E (Energiebesparend modus)		15 km/u (9,3 mph)	15 km/u (9,3 mph)	25 km (15,5 mijl)	25 km (15,5 mijl)
D (Standaardmodus)		20 km/u (12,4 mph)	20 km/u (12,4 mph)	20 km (12,4 mijl)	25 km (15,5 mijl)
S (Sport-modus)		20 km/u (12,4 mph)	25 km/u (15,5 mph)	20 km (12,4 mijl)	20 km (12,4 mijl)
⚡ (Wandelmodus)		5 km/u (3,1 mph)	5 km/u (3,1 mph)	25 km (15,5 mijl)	25 km (15,5 mijl)

*Bereiken van snelheidsmodi: getest tijdens het rijden met een volle accu, 75 kg (165 lbs) lading, 25°C (77°F), bij de maximale snelheid van elke snelheidsmodus op gemiddeld wegdek.

Linker richtingaanwijzer: Wanneer dit pictogram knippert, geeft dit aan dat de richtingaanwijzers aan de linkerkant zijn ingeschakeld.

Rechter richtingaanwijzer: Wanneer dit pictogram knippert, geeft dit aan dat de richtingaanwijzers aan de rechterkant zijn ingeschakeld.

Foutmelding: Het geeft aan dat de scooter een fout heeft gedetecteerd.

Waarschuwing temperatuur: Het geeft aan dat de accutemperatuur 55 °C (131 °F) heeft bereikt of lager is dan 0 °C (32 °F). * Op dit moment kan de scooter niet normaal accelereren en kan deze niet worden opgeladen. Niet gebruiken tot de temperatuur is teruggekeerd naar het normale bereik.

Bluetooth: Het geeft aan dat de scooter is verbonden met het mobiele apparaat.

Accuniveau: Het totale accuvermogen is gelijk aan 5 bar.

* Het accuvermogen is erg laag wanneer de eerste accubalk rood is. Laad uw scooter onmiddellijk op.

Vergrendelingsherinnering: Wanneer het pictogram oplicht, betekent dit dat de scooter is vergrendeld. Als er abnormale bewegingen worden gedetecteerd, begint de scooter te piepen en zal het achterlicht knipperen.

2 Specificaties

	Item	Parameter		
Product	Naam	Ninebot KickScooter E2		
	Model	051401E	051401B	051401D
	Lengte × Breedte × Hoogte	Ca. 1070 × 445 × 1140 mm (42,1 × 17,5 × 44,9 inch)		Ca. 1070 × 473 × 1140 mm (42,1 × 18,6 × 44,9 inch)
	Geplooid: Lengte × Breedte × Hoogte	Ca. 1070 × 445 × 504 mm (42,1 × 17,5 × 19,8 inch)		Ca. 1070 × 473 × 504 mm (42,1 × 18,6 × 19,8 inch)
	Netto gewicht	Ca. 15 kg (33,1 lbs)	Ca. 15,1 kg (33,3 lbs)	
Rijder	Maximaal laadvermogen	90 kg (198 lbs)		
	Aanbevolen leeftijd	14–60 jaar		
	Vereiste hoogte	130–190 cm (4'3"–6'2")		
Machine	Max. snelheid	Ca. 20 km/u (12,4 mph)		
	Theoretisch bereik ^[1]	Ca. 25 km (15,5 mijl)		
	Bereik bij max. snelheid ^[2]	Ca. 20 km (12,4 mijl)		
	Max. hellingshoek	Ca. 12%		
	Overrijdbaar terrein	Meestal gladde wegen of normaal asfalt, geasfalteerde wegen		
	Bedrijfstemperatuur	-10–40 °C (14–104 °F)		
	Opslagtemperatuur	-10–50 °C (14–122 °F)		
	IP-klasse	IPX4		
Batterij	Duur van het opladen	Ca. 7,5 uur		
	Nominale spanning	21,6 V ===		
	Max. laadspanning	25,2 V ===		
	Laadtemperatuur	0 °C–44 °C (32–111 °F)		
	Nominale energie	220 Wh		
	Nominale capaciteit	10,2 Ah		
Motor	Batterijbeheersysteem	Bescherming tegen overspanning/onderspanning/kortsluiting/overstroom/overtemperatuur		
	Nominaal vermogen	0,25 kW, 250 W		
Lader	Max. vermogen	0,45 kW, 450 W		
	Model	NBW25D201D5N-EU	NBW25D201D5N-US	NBW25D201D5N-EU
	Uitgangsvermogen	36,3 W		
	Ingangsspanning	100–240 V ~ 50–60 Hz		
	Max. uitgangsspanning	25,2 V ===		
Band	Nominale uitgang	24,2 V ±5 A		
	Banden	8,1-inch holle schokabsorberende binnenbanden		
Ander	Richtingaanwijzers	NVT		
		Richtingaanwijzers voor en achter		

[1]: Theoretisch bereik: getest tijdens het rijden met een volle batterij, 165 lbs (75 kg) belasting, 77 °F (25 °C), gemiddeld 70% van de maximale snelheid op verhard wegdek. [2]: Bereik bij max. snelheid: Getest tijdens het rijden met een volle accu, 75 kg (165 lbs) lading, 25 °C (77 °F), bij de maximale snelheid op gemiddeld verhard wegdek. * Enkele factoren die het bereik beïnvloeden zijn: snelheid, aantal starts en stops, omgevingstemperatuur, enz.

	Item	Parameter	
Product	Naam	Ninebot KickScooter E2 Plus	
	Model	051402E	051402B
	Lengte × Breedte × Hoogte	Ca. 1070 × 445 × 1140 mm (42,1 × 17,5 × 44,9 inch)	
	Geplooid: Lengte × Breedte × Hoogte	Ca. 1070 × 445 × 504 mm (42,1 × 17,5 × 19,8 inch)	
Rijder	Netto gewicht	Ca. 15,3 kg (33,7 lbs)	
	Maximaal laadvermogen	90 kg (198 lbs)	
	Aanbevolen leeftijd	14–60 jaar	
Machine	Vereiste hoogte	130–190 cm (4'3"–6'2")	
	Max. snelheid	Ca. 25 km/u (15,5 mph)	
	Theoretisch bereik ^[1]	Ca. 25 km (15,5 mijl)	
	Bereik bij max. snelheid ^[2]	Ca. 20 km (12,4 mijl)	
	Max. hellingshoek	Ca. 12%	
	Overrijdbaar terrein	Meestal gladde wegen of normaal asfalt, geasfalteerde wegen	
	Bedrijfstemperatuur	-10–40 °C (14–104 °F)	
	Opslagtemperatuur	-10–50 °C (14–122 °F)	
Batterij	IP-klasse	IPX4	
	Duur van het opladen	Ca. 7,5 uur	
	Nominale spanning	21,6 V ===	
	Max. laadspanning	25,2 V ===	
	Laadtemperatuur	0 °C–44 °C (32–111 °F)	
	Nominale energie	220 Wh	
Motor	Nominale capaciteit	10,2 Ah	
	Batterijbeheersysteem	Bescherming tegen overspanning/onderspanning/kortsluiting/overstroom/overtemperatuur	
Motor	Nominaal vermogen	0,3 kW, 300 W	
	Max. vermogen	0,50 kW, 500 W	
Lader	Model	NBW25D201D5N-EU	NBW25D201D5N-US
	Uitgangsvermogen	36,3 W	
	Ingangsspanning	100–240 V ~ 50–60 Hz	
	Max. uitgangsspanning	25,2 V ===	
Band	Nominale uitgang	24,2 V ±5 A	
	Banden	8,1-inch holle schokabsorberende binnenbanden	

[1]: Theoretisch bereik: getest tijdens het rijden met een volle batterij, 165 lbs (75 kg) belasting, 77 °F (25 °C), gemiddeld 70% van de maximale snelheid op verhard wegdek.

[2]: Bereik bij max. snelheid: Getest tijdens het rijden met een volle accu, 75 kg (165 lbs) lading, 25 °C (77 °F), bij de maximale snelheid op gemiddeld wegdek.

* Enkele factoren die het bereik beïnvloeden zijn: snelheid, aantal starts en stops, omgevingstemperatuur, enz.

3 Certificaten

Dit product is gecertificeerd volgens ANSI/CAN/UL-2272 door TUV Rheinland.

De accu is conform UN/DOT 38.3.

De accu voldoet aan ANSI/CAN/UL-2271.

Nalevingsverklaring voor de Europese Unie Belangrijke WEEE-informatie



Dit symbool op het product of op de verpakking geeft aan dat gebruikte elektrische en elektronische producten niet samen met ongesorteerd huishoudelijk afval mogen worden weggegooid. Voor een juiste verwerking is het uw verantwoordelijkheid om uw afgedankte apparatuur te verwijderen door deze in te leveren bij aangewezen inzamelpunten. Door dit product op de juiste wijze te verwijderen, spaart u waardevolle hulpbronnen en voorkomt u mogelijke negatieve gevolgen voor de volksgezondheid en het milieu, die zich zouden kunnen voordoen in geval van onjuiste afvalverwerking. Bij onjuiste verwijdering van dit afval kunnen sancties volgen, in overeenstemming met uw nationale wetgeving. Neem contact op met uw gemeente voor meer informatie over het dichtstbijzijnde inzamelpunt.

Informatie over batterijrecycling voor gebruikers



Dit symbool betekent dat batterijen en accu's aan het einde van hun levensduur niet mogen worden gemengd met niet gesorteerd stedelijk afval. Uw deelname is een belangrijk onderdeel van de inspanning om de impact van batterijen en accu's op het milieu en de menselijke gezondheid te minimaliseren. Voor correcte recycling kunt u dit product of de batterijen of batterijen die het bevat gratis inleveren bij uw leverancier of bij een aangewezen inzamelpunt. Door dit product op de juiste wijze te verwijderen, spaart u waardevolle hulpbronnen en voorkomt u mogelijke negatieve gevolgen voor de volksgezondheid en het milieu, die zich zouden kunnen voordoen in geval van onjuiste afvalverwerking. Bij onjuiste verwijdering van dit afval kunnen sancties volgen, in overeenstemming met uw nationale wetgeving, er zijn afzonderlijke inzamelingsystemen voor gebruikte batterijen en accu's. Gooi batterijen en batterijen op de juiste manier weg door ze in te leveren bij het afvalinzamelings-/recyclingcentrum in uw gemeente.

Richtlijn voor radioapparatuur

Ninebot (Changzhou) Tech Co., Ltd. verklaart hierbij dat het in dit deel genoemde product voldoet aan de essentiële vereisten en andere relevante bepalingen van de richtlijn voor radioapparatuur 2014/53/EU.

Richtlijn inzake de beperking van het gebruik van bepaalde gevaarlijke stoffen (RoHS) Ninebot (Changzhou) Tech Co., Ltd. verklaart hierbij dat het hele product, inclusief onderdelen (kabels, snoeren, enzovoort), voldoet aan de vereisten van de RoHS-richtlijn 2011/65/EU en de gedelegeerde wijzigingsrichtlijn (EU) 2015/863 van de Commissie inzake de beperking van het gebruik van bepaalde gevaarlijke stoffen in elektrische en elektronische apparatuur ('RoHS-herschikking' of 'RoHS 2.0').

Machinerichtlijn

Ninebot (Changzhou) Tech Co., Ltd. verklaart hierbij dat het in dit deel genoemde product voldoet aan de essentiële vereisten en andere relevante bepalingen van de machinerichtlijn 2006/42/EG.



Erkend vertegenwoordiger voor de EU:

Segway-Ninebot Europe

Dynamostraat 7, 1014 BN Amsterdam, Nederland.

Ninebot (Changzhou) Tech Co., Ltd. verklaart hierbij dat het productmodel: 051401E, 051401B, 051401D, 051402E, 051402B voldoen aan de essentiële vereisten en andere relevante bepalingen van de Richtlijn voor radioapparatuur 2014/53/EU, de machinerichtlijn 2006/42/EG, en de RoHS-richtlijn 2011/65/EU en de wijziging Gedelegeerde Richtlijn (EU) 2015/863 van de Commissie.

De conformiteitsverklaring kan worden geraadpleegd op het volgende adres:

<https://eu-en.segway.com/instruction-manuals>

Nalevingsverklaring voor het VK

Richtlijn voor radioapparatuur 2017

Ninebot (Changzhou) Tech Co., Ltd. verklaart hierbij dat het in dit deel genoemde product voldoet aan de essentiële vereisten en andere relevante bepalingen van de Richtlijn voor radioapparatuur 2017.

Regelgeving 2012 inzake de beperking van het gebruik van bepaalde gevaarlijke stoffen in elektrische en elektronische apparatuur

Ninebot (Changzhou) Tech Co., Ltd. verklaart hierbij dat het gehele product inclusief onderdelen (kabels, snoeren, enzovoort) voldoet aan de vereisten van De regelgeving 2012 inzake de beperking van het gebruik van bepaalde gevaarlijke stoffen in elektrische en elektronische apparatuur.

Levering van machines (veiligheid) regelgeving 2008

Ninebot (Changzhou) Tech Co., Ltd. verklaart hierbij dat het in dit deel genoemde product voldoet aan de essentiële vereisten en andere relevante bepalingen van de Regelgeving inzake de Levering van machines (Veiligheid) regelgeving 2008.



Erkend vertegenwoordiger voor het VK:

UKCA Experts Ltd.

Dept 302, 43 Owston Road Carcroft, Doncaster, DN6 8DA, Verenigd Koninkrijk

Ninebot (Changzhou) Tech Co., Ltd. verklaart hierbij dat het productmodel: 051401B, 051402B voldoen aan de essentiële vereisten en andere relevante bepalingen van de Richtlijn voor radioapparatuur 2017, Levering van machines (Veiligheid) regelgeving 2008 en de Regelgeving inzake de beperking van het gebruik van bepaalde gevaarlijke stoffen in elektrisch en elektronische apparatuur 2012.

De conformiteitsverklaring kan worden geraadpleegd op het volgende adres: www.segway.com

Bluetooth	Frequentieband(en)	2,4000-2,4835 GHz
	Max. RF-vermogen	1 mW

4 Handelsmerk

Ninebot is het handelsmerk van Ninebot (Beijing) Tech Co., Ltd; Segway en het Rider Design zijn de geregistreerde handelsmerken van Segway Inc., App Store en Apple Logo zijn handelsmerken van Apple Inc. Google Play en het Google Play-logo zijn handelsmerken van Google LLC. Het Bluetooth-woordmerk® en -logo's zijn geregistreerde handelsmerken die eigendom zijn van Bluetooth SIG, Inc. en elk gebruik van dergelijke merken door Segway-Ninebot is onder licentie. Andere handelsmerken en handelsnamen zijn die van hun betreffende eigenaars.

De KickScooter valt onder relevante patenten. Ga voor informatie over patenten naar <http://www.segway.com>

We hebben geprobeerd om beschrijvingen en instructies op te nemen voor alle functies van de KickScooter op het moment van afdrukken. Vanwege de constante verbetering van productkenmerken en wijzigingen van ontwerp, kan uw KickScooter enigszins afwijken van de afbeelding in dit document. Scan de QR-code of ga naar de Apple App Store (iOS) of de Google Play Store (Android) om de app te downloaden en te installeren.

Houd er rekening mee dat er meerdere Segway- en Ninebot-modellen zijn met verschillende functies en dat sommige van de hierin genoemde functies mogelijk niet van toepassing zijn op uw voertuig. De fabrikant behoudt zich het recht voor om het ontwerp en de functionaliteit van het KickScooter-product en de documentatie zonder voorafgaande kennisgeving te wijzigen.

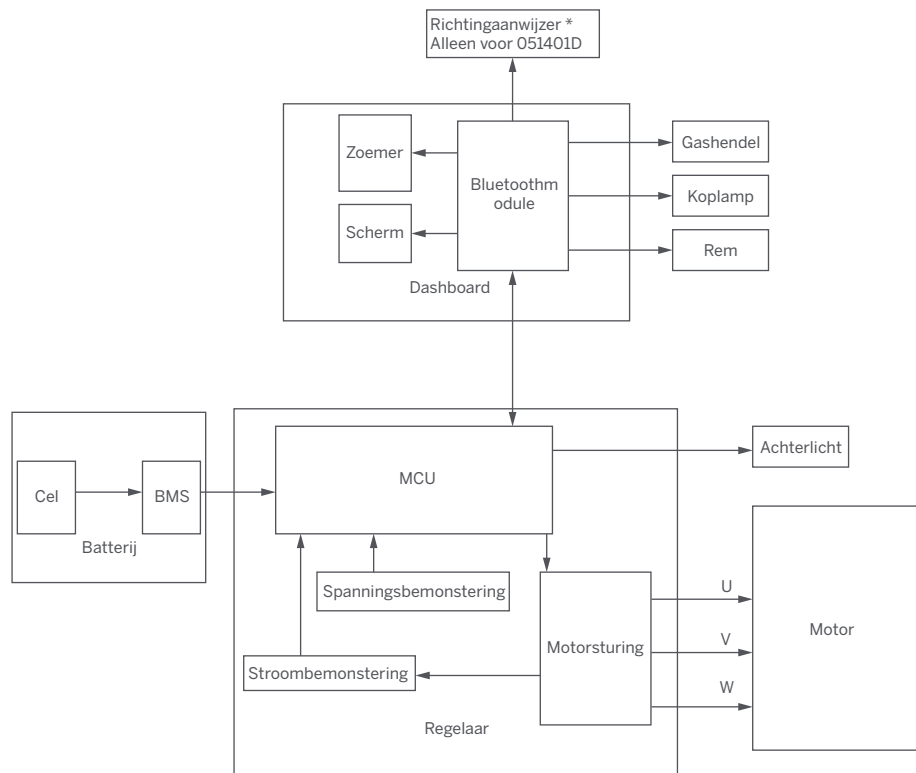
© 2023 Ninebot (Beijing) Tech Co., Ltd. Alle rechten voorbehouden.

(※De Segway-Ninebot-app kan KickScooter ondersteunen met ingebouwde Bluetooth)

5 Vaak voorkomende fouten

Foutcode	Mogelijke oorzaken	Oplossing
10	Bluetooth-communicatiestoring	Controleer de aansluiting van de communicatiedraad van het dashboard en de besturingskabel of neem contact op met de dienst na verkoop of een erkende dealer.
11	Abnormale bemonstering 1A-fasestroom van de motor	Neem contact op met de klantendienst of erkende dealer.
12	Abnormale bemonstering 1B-fasestroom van de motor	
13	Abnormale bemonstering 1C fasestroom van de motor	
14	Abnormale bemonstering hall-sensor gashendel	Controleer of de gashendel in is geknepen bij het inschakelen of neem contact op met de dienst na verkoop of een erkende dealer.
15	Abnormale bemonstering hall-sensor rem	Controleer of de remhendel in is geknepen bij het inschakelen, of neem contact op met de dienst na verkoop of een erkende dealer.
24	Abnormale standaardspanning	Controleer of de draad die verbonden is met de accukabel en de regelaar los zit, of neem contact op met de dienst na verkoop of een erkende dealer.
26	Abnormaal schrijven/lezen van gegevens	Neem contact op met de klantendienst of erkende dealer.
31	Onjuiste werking FLASH	
35	Standaard S/N	Controleer of de S/N van de KickScooter de standaard S/N is.
39	Abnormale accutemperatuur	Controleer de werkomgeving van de accu of neem contact op met de dienst na verkoop of een erkende dealer.
40	Abnormale temperatuur regelaar	De temperatuur van de regelaar is te hoog, neem contact op met de dienst na verkoop of een erkende dealer.
41	Abnormale motortemperatuur	Neem contact op met de klantendienst of erkende dealer.
42	Motor niet gekalibreerd	
45	Abnormale bemonstering busstroom	
50	Verlies van de motorfase	Controleer of de draad die verbonden is met de motor en de regelaar los zit of neem contact op met de dienst na verkoop of een erkende dealer.
52	Motor tot stilstand gekomen	Controleer of de KickScooter overbelast is of neem contact op met de dienst na verkoop of een erkende dealer.

6 Bedradingschema



7 Aanbevolen onderhoudsschema

Om veilig rijden te garanderen, zijn dagelijkse zorg en regelmatig onderhoud essentieel. U, de eigenaar, hebt controle over weet hoe vaak u uw scooter gebruikt, hoe hard u hem gebruikt en waar u hem gebruikt. Het is de verantwoordelijkheid van de eigenaar om regelmatig controles uit te voeren en uw scooter naar een erkend servicecentrum te brengen voor inspectie en onderhoud. Raadpleeg het onderhoudsschema hieronder.

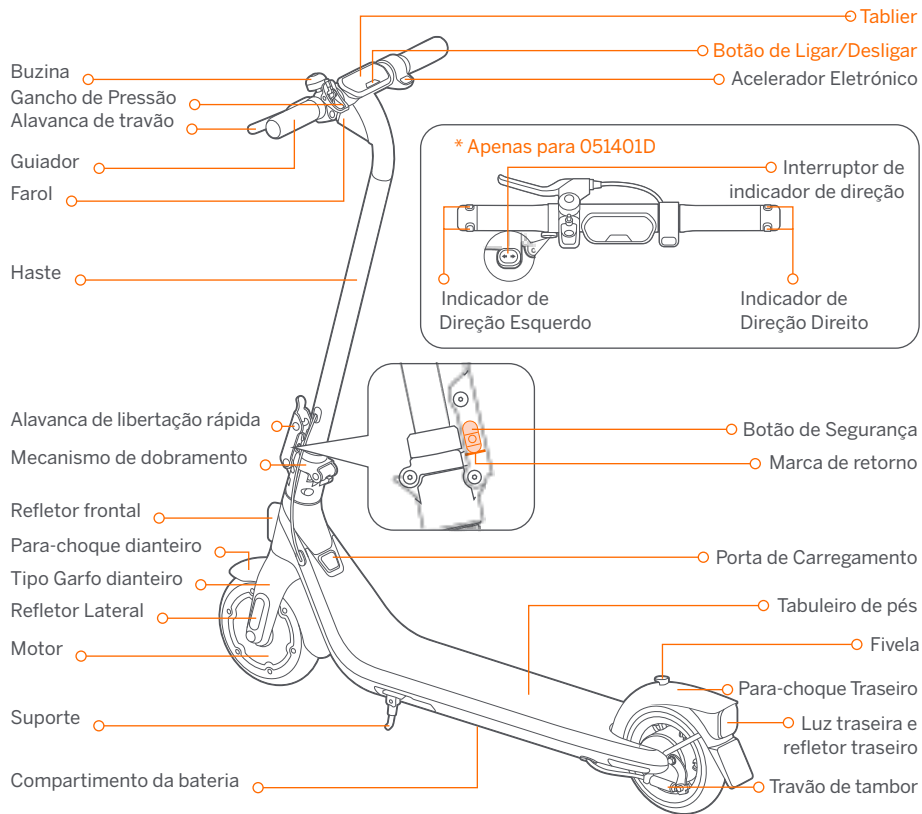
Opmerking: Dit onderhoudsschema brengt servicekosten in rekening.

Item	Onderdeel	Onderhoudsmethode	maanden Elke 3 of elke maanden 310 mijl (500 km)	Elke 6 maanden 310 mijl (500 km)	Na 2 jaar of een totale kilometerstand > 3107 mijl (5000 km)
Onderhoud hoofdframe	Onderdelen hoofdframe	Gebruik een zachte, natte doek om het hoofdframe schoon te vegen.	√	√	√
	Bandenslijtage	Controleer of de banden gebarsten, vervormd of aanzienlijk versleten zijn.		√	√
	Schroeven op de bovenkant van de stang	Draai de zes schroeven vast die met het stuur en de stuurpen bevestigd. Het voorgestelde koppel is $5,5 \pm 0,3$ Nm.	√	√	√
		Draai de schroef op het gaspedaal aan. Het voorgestelde koppel is $2 \pm 0,1$ Nm. Draai de schroeven op de remhendels vast. Het voorgestelde koppel is $5 \pm 0,1$ Nm. Draai de schroeven aan de bovenkant van de stang vast. Het voorgestelde koppel is $2 \pm 0,1$ Nm.		√	√
Inspectiefunctie	Naafmotor	Om te accelereren en af te remmen, controleert u of de naafmotor is vastgelopen of abnormale geluiden maakt.		√	√
	Onderhoud van het achterwiel	Controleer of het achterwiel vastloopt of wankelt, of de as uit balans is.		√	√
	Trommelrem	1) Draai aan het achterwiel, het draait normaal. Het achterwiel mag niet vastzitten of abnormale geluiden maken. Opmerking: Licht geluid heeft geen invloed op de rijveiligheid. Als de trommelrem echter veel lawaai maakt tijdens het remmen, neem dan contact op met de klantenservice. 2) Knijp in de remhendel, het achterwiel stopt met bewegen.		√	√

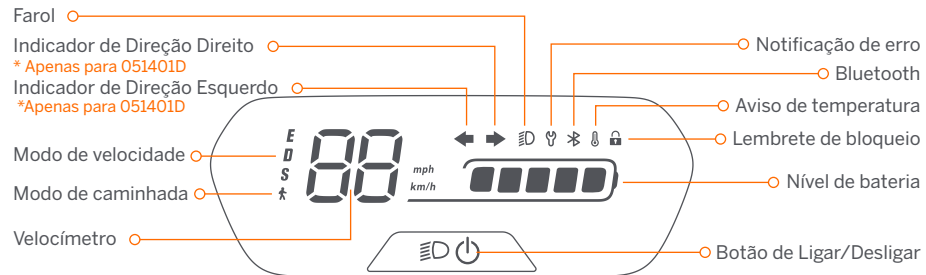
Item	Onderdeel	Onderhoudsmethode	Elke 6 maanden 3 of elke maanden 310 mijl (500 km)	Elke 3107 mijl (5000 km)	Na 2 jaar of een totale kilometerstand > 3107 mijl (5000 km)
Inspectiefunctie	Koplamp	Controleer de koplamp en kijk of deze helder brandt.		✓	✓
	Richtingaanwijzer * Alleen voor 051401D	Zet de schakelaar van de richtingaanwijzers respectievelijk naar links / rechts, controleer of de richtingaanwijzers aan de linker- / rechterkant normaal knipperen.		✓	✓
	Dashboard	Zet de scooter aan, het dashboard werkt naar behoren.		✓	✓
	Gashendel	Houd het gaspedaal ingedrukt en laat het vervolgens los en controleer op acceleratie en vertraging.		✓	✓
	Foutdetectie	Na het verbinden met de Segway-Ninebot-app: 1) Werk de firmware bij naar de nieuwste versie. 2) Controleer of de melding van de bijbehorende foutcode en mogelijke oorzaken weergegeven zal worden wanneer de scooter een fout detecteert.		✓	✓
	Bezig met opladen	Laad de scooter op: 1) Controleer of het huidige accuvermogen op het dashboard wordt weergegeven. 2) Controleer de LED-indicator op de acculader. Opladen: rood, Volledig opgeladen: groen.		✓	✓
	Knoppen	Druk of schakel de knop 3 keer in zonder storing.		✓	✓
	Stuurinrichting	Test met linkse en rechtse bochten (de stuurhoek is 60°). Geen weerstand of vertraging bij het draaien.		✓	✓
Belangrijke onderdelen	Montage accu	De accu moet worden vervangen wanneer deze 500 keer is opgeladen en ontladen of wanneer de totale kilometerstand meer dan 6213 mijl (10.000 km) is. Opmerking: Het wordt aanbevolen om eenmaal per 60 dagen op te laden voor langdurige opslag.			✓
	Regelaar	Het is vereist dat originele Segway-Ninebot onderdelen worden gebruikt voor reparaties en vervangingen.			
	Naafmotor				

Item	Onderdeel	Onderhoudsmethode	Elke 6 maanden 3107 mijl (500 km)	Elke 3 of elke maanden 310 (500 km)	Na 2 jaar of een totale kilometerstand > 3107 mijl (5000 km)
Functionele onderdelen	Montage achterwiel	Het is vereist dat originele Segway-Ninebot onderdelen worden gebruikt voor reparaties en vervangingen.			✓
	Gas- en remhendels				
	Montage voorvork				
	Vouwmechanisme				
	Montage trommelrem				
	Dashboard				

1 Diagrama



Tablier e botão de ligar/desligar



Botão de Ligar/Desligar: Prima o botão para ligar a scooter; prima e mantenha premido o botão durante 2 segundos para a desligar. Quando a scooter estiver ligada, pressione o botão para ligar/desligar o farol e a luz traseira; e pressione duas vezes para alternar entre os modos de velocidade. Pressione cinco vezes para mudar a unidade entre km/h e mph. **Velocímetro:** Mostra a velocidade actual da scooter, bem como os códigos de erro.

Modo de caminhada: O farol e a luz traseira estão sempre ligados e não podem ser desligados.

Modo de velocidade: Há 4 modos disponíveis. A velocidade máxima é a seguinte:

Modo	Modelo	Limite de velocidade E2	Limite de velocidade E2 Plus	Alcance E2*	Alcance E2 Plus*
E (modo de poupança de energia)		15 km/h (9.3 mph)	15 km/h (9,3 mph)	25 km (15,5 milhas)	25 km (15,5 milhas)
D (modo padrão)		20 km/h (12,4 mph)	20 km/h (12,4 mph)	20 km (12,4 milhas)	25 km (15,5 milhas)
S (modo desportivo)		20 km/h (12,4 mph)	25 km/h (15,5 mph)	20 km (12,4 milhas)	20 km (12,4 milhas)
A (Modo de caminhada)		5 km/h (3,1 mph)	5 km/h (3,1 mph)	25 km (15,5 milhas)	25 km (15,5 milhas)

*Alcance de Modos de Velocidade: Testadas enquanto se viaja com uma bateria carregada por completo, 75 kg (165 lbs) de carga, 25°C (77°F), à velocidade máxima de cada modo de velocidade em média no pavimento. **Indicador de Direção Esquerda:** Quando este ícone pisca, indica que os indicadores de direção no lado esquerdo estão ligados. **Indicador de Direção Direita:** Quando este ícone pisca, indica que os indicadores de direção do lado direito estão ligados.

Notificação de erro: Indica que a scooter detetou um erro.

Aviso de temperatura: Indica que a temperatura da bateria atingiu 55°C (131°F) ou é inferior a 0°C (32°F).

* Neste ponto, a scooter não pode acelerar normalmente e pode não ser carregada. Não utilizar até que a temperatura tenha revertido para a faixa normal.

Bluetooth: Indica que a scooter foi ligada com sucesso ao dispositivo móvel.

Nível de bateria: A potência total da bateria é igual a 5 barras.

* A carga da bateria está muito baixa quando a primeira barra da bateria está vermelha. Por favor, carregue a sua KickScooter imediatamente.

Lembrete de bloqueio: Quando o ícone ilumina-se, significa que a scooter está bloqueada. Se forem detetados movimentos anormais, a scooter começará a apitar e a luz traseira falhará.

2 Especificações

	Item	Parâmetro		
Produto	Nome	Ninebot KickScooter E2		
	Modelo	051401E	051401B	051401D
	Comprimento x Largura x Altura	Aproximadamente. 1070 x 445 x 1140 mm (42,1 x 17,5 x 44,9 pol.)		Aproximadamente. 1070 x 473 x 1140 mm (42,1 x 18,6 x 44,9 pol.)
	Dobrada: Comprimento x Largura x Altura	Aproximadamente. 1070 x 445 x 504 mm (42,1 x 17,5 x 19,8 pol.)		Aproximadamente. 1070 x 473 x 504 mm (42,1 x 18,6 x 19,8 pol.)
	Peso líquido	Aproximadamente. 15 kg (33,1 libras)		Aproximadamente. 15,1 kg (33,3 libras)
Condutor	Máx. Carga útil	90 kg (198 libras)		
	Idade recomendada	14-60 anos de idade		
	Altura Necessária	130—190 cm (4'3" —6'2")		
Máquina	Máx. Velocidade	Aproximadamente. 20 km/h (12,4 mph)		
	Alcance Teórico ^[1]	Aproximadamente. 25 km (15,5 milhas)		
	Alcance sob Máx. Velocidade ^[2]	Aproximadamente. 20 km (12,4 milhas)		
	Inclinação máxima	Aproximadamente. 12%		
	Terreno Atravessável	Estradas mais lisas ou asfaltadas normais, estradas alcatroadas		
	Temperatura de operação	-10—40°C (14—104°F)		
	Temperatura de armazenamento	-10—50°C (14—122°F)		
	Classificação IP	IPX4		
	Duração do carregamento	Aprox. 7,5 h		
Bateria	Voltagem nominal	21,6 V \equiv		
	Máx. Tensão de carregamento	25,2 V \equiv		
	Temperatura de Carregamento	0°C-44°C (32-111°F)		
	Energia Nominal	220 Wh		
	Capacidade nominal	10,2 Ah		
	Sistema de gestão de bateria	Proteção contra sobretensão/subtensão/circuito curto-circuito/sobrecorrente/sobre-temperatura		
Motor	Potência Nominal	0,25 kW, 250 W		
	Potência máxima	0,45 kW, 450 W		
Carregador	Modelo	NBW25D201D5N-EU NBW25D201D5N-US NBW25D201D5N-EU		
	Potência de saída	36,3 W		
	Tensão de entrada	100-240 V ~ 50-60 Hz		
	Máx. Tensão de saída	25,2 V \equiv		
	Saída Nominal	24,2 V \pm 5 A		
Pneu	Pneus	Pneus ocós de 8,1 polegadas com amortecedores interiores		
Outros	indicadores de direção	indicadores de direção dianteiros e traseiros/N/D		

[1]: Alcance teórico: testado enquanto se conduz com uma bateria cheia, carga de 75 kg (165 libras), 25°C (77°F), 70% da velocidade máxima, em média, no pavimento.

[2]: Alcance sob Máx. Velocidade: Testado durante a condução com uma bateria cheia, carga de 75 kg (165 lbs), 25°C (77°F), no máx. velocidade média no asfalto. * Alguns dos fatores que afetam a gama incluem velocidade, carga, número de arranques e paragens, temperatura ambiente, etc.

	Item	Parâmetro	
Produto	Nome	Ninebot KickScooter E2 Plus	
	Modelo	051402E	051402B
	Comprimento x Largura x Altura	Aproximadamente. 1070 x 445 x 1140 mm (42,1 x 17,5 x 44,9 pol.)	
	Dobrada: Comprimento x Largura x Altura	Aproximadamente. 1070 x 445 x 504 mm (42,1 x 17,5 x 19,8 pol.)	
	Alcance sob Máx. Velocidade	Aproximadamente. 15,3 kg (33,7 libras)	
Condutor	Máx. Carga útil	90 kg (198 libras)	
	Idade recomendada	14-60 anos de idade	
	Altura Necessária	130—190 cm (4'3" —6'2")	
Máquina	Máx. Velocidade	Aproximadamente. 25 km/h (15,5 mph)	
	Alcance Teórico ^[1]	Aproximadamente. 25 km (15,5 milhas)	
	Alcance sob Máx. Velocidade ^[2]	Aproximadamente. 20 km (12,4 milhas)	
	Inclinação máxima	Aproximadamente. 12%	
	Terreno Atravessável	Estradas mais lisas ou asfaltadas normais, estradas alcatroadas	
	Temperatura de operação	-10—40°C (14—104°F)	
	Temperatura de armazenamento	-10—50°C (14—122°F)	
	Classificação IP	IPX4	
	Duração do carregamento	Aprox. 7,5 h	
Bateria	Voltagem nominal	21,6 V \equiv	
	Máx. Tensão de carregamento	25,2 V \equiv	
	Temperatura de Carregamento	0°C-44°C (32-111°F)	
	Energia Nominal	220 Wh	
	Capacidade nominal	10,2 Ah	
	Sistema de gestão de bateria	Proteção contra sobretensão/subtensão/circuito curto-circuito/sobrecorrente/sobre-temperatura	
Motor	Potência Nominal	0,3 kW, 300 W	
	Potência máxima	0,50 kW, 500 W	
Carregador	Modelo	NBW25D201D5N-EU	NBW25D201D5N-US
	Potência de saída	36,3 W	
	Tensão de entrada	100-240 V ~ 50-60 Hz	
	Máx. Tensão de saída	25,2 V \equiv	
	Saída Nominal	24,2 V \pm 5 A	
Pneu	Pneus	Pneus ocós de 8,1 polegadas com amortecedores interiores	

[1]: Alcance teórico: testado enquanto se conduz com uma bateria cheia, carga de 75 kg (165 libras), 25°C (77°F), 70% da velocidade máxima, em média, no pavimento.

[2]: Alcance sob Máx. Velocidade: Testado durante a condução com uma bateria cheia, carga de 75 kg (165 lbs), 25°C (77°F), no máx. velocidade média no asfalto. * Alguns dos fatores que afetam a gama incluem velocidade, carga, número de arranques e paragens, temperatura ambiente, etc.

3 Certificações

Este produto é certificado à ANSI/CAN/UL-2272 pela TUV Rheinland.

A bateria está em conformidade com a norma UN/DOT 38.3.

A bateria está em conformidade com a norma ANSI/CAN/UL-2271.

Declaração de Conformidade da União Europeia Informações importantes sobre REEE



Este símbolo no produto ou em sua embalagem indica que produtos elétricos e eletrônicos usados não devem ser misturados com lixo municipal não classificado. Para o tratamento adequado, é sua responsabilidade eliminar o equipamento usado, devolvendo-o aos pontos de recolha designados. A eliminação correta deste produto ajudará a poupar recursos valiosos e a prevenir quaisquer potenciais efeitos negativos na saúde humana e no ambiente, que de outra forma poderiam surgir de um manuseamento inadequado dos resíduos. Podem ser aplicadas sanções por eliminação incorreta destes resíduos, de acordo com a sua legislação nacional. Por favor contacte a sua autoridade local para mais detalhes sobre o seu ponto de recolha designado mais próximo.

Informação sobre reciclagem de baterias para utilizadores



Este símbolo significa que as pilhas e acumuladores, no seu fim de vida útil, não devem ser misturados com resíduos municipais não selecionados. A sua participação é uma parte importante do esforço para minimizar o impacto das pilhas e acumuladores no ambiente e na saúde humana. Para uma reciclagem adequada, pode devolver este produto ou as pilhas ou acumuladores que contém ao seu fornecedor ou a um ponto de recolha designado. A eliminação correta deste produto ajudará a poupar recursos valiosos e a prevenir quaisquer potenciais efeitos negativos na saúde humana e no ambiente, que de outra forma poderiam surgir de um manuseamento inadequado dos resíduos. Podem ser aplicadas sanções por eliminação incorreta destes resíduos, de acordo com a sua legislação nacional. existem sistemas de recolha separados para pilhas e acumuladores usados. Por favor, elimine as pilhas e acumuladores corretamente no seu centro comunitário local de recolha/reciclagem de resíduos.

Diretiva de Equipamentos de Rádio

Ninebot (Changzhou) Tech Co., Ltd. declara que o produto listado nesta secção está em conformidade com os requisitos essenciais e outras disposições relevantes da Diretiva de Equipamentos de Rádio 2014/53/UE.

Diretiva de restrição do uso de certas substâncias perigosas (RoHS) Ninebot (Changzhou) Tech Co., Ltd. declara por meio deste que todo o produto, incluindo peças (cabos, cabos e assim por diante) atende aos requisitos da Diretiva RoHS 2011/65/UE e emenda à Diretiva Delegada da Comissão (UE) 2015/863 sobre o restrição do uso de certas substâncias perigosas em equipamentos elétricos e eletrônicos ("RoHS reformulado" ou "RoHS 2.0").

Diretiva de Máquinas

Ninebot (Changzhou) Tech Co., Ltd. declara que o produto listado nesta secção está em conformidade com os requisitos essenciais e outras provisões relevantes da Diretiva de Máquinas 2006/42/EC.



Representante Autorizado da UE:

Segway-Ninebot Europe

Dynamostraat 7, 1014 BN Amsterdão, Países Baixos.

Ninebot (Changzhou) Tech Co., Ltd. declara que o modelo do produto: 051401E, 051401B, 051401D, 051402E, 051402B cumprem os requisitos essenciais e outras disposições relevantes da Diretiva de Equipamentos de Rádio 2014/53/UE, a diretiva de máquinas 2006/42/CE e a diretiva RoHS 2011/65/UE e emenda à diretiva delegada da Comissão (UE) 2015/863.

A declaração de conformidade pode ser consultada no seguinte endereço:

<https://eu-en.segway.com/instruction-manuals>

Declaração de Conformidade do Reino Unido

Regulamentos de equipamentos de rádio 2017

Ninebot (Changzhou) Tech Co., Ltd. declara que o produto listado nesta secção está em conformidade com os requisitos essenciais e outras disposições relevantes dos Regulamentos de Equipamentos de Rádio 2017.

A Restrição do Uso de Certas Substâncias Perigosas em Regulamentos de Equipamentos Elétricos e Eletrônicos 2012

Ninebot (Changzhou) Tech Co., Ltd. aqui declara que todo o produto, incluindo peças (cabos, cabos e assim por diante) atende aos requisitos da Restrição do uso de certas substâncias perigosas em regulamentos de equipamentos elétricos e eletrônicos de 2012.

Regulamentos de Fornecimento de Máquinas (Segurança) 2008

Ninebot (Changzhou) Tech Co., Ltd. declara que o produto listado nesta secção está em conformidade com os requisitos essenciais e outras disposições relevantes dos Regulamentos de Segurança de Fornecimento de Máquinas (Segurança) de 2008.



Representante Autorizado do Reino Unido:

UKCA Experts Ltd.

Dept 302, 43 Owston Road Carcroft, Doncaster, DN6 8DA, Reino Unido

Ninebot (Changzhou) Tech Co., Ltd. declara que o modelo do produto: 051401B, 051402B cumprem os requisitos essenciais e outras disposições relevantes dos Regulamentos de Equipamentos de Rádio 2017, Regulamentos de Fornecimento de Máquinas (Segurança) de 2008 e Regulamentos de Restrição do Uso de Certas Substâncias Perigosas em Equipamentos Elétricos e Eletrónicos de 2012.

A declaração de conformidade pode ser consultada no seguinte endereço: www.segway.com

Bluetooth	Banda(s) de frequência	2,4000-2,4835 GHz
	Potência RF Máxima	1mW

4 Marca Registada

Ninebot é a marca comercial da Ninebot (Beijing) Tech Co., Ltd; Segway e the Rider Design são marcas registadas da Segway Inc., App Store e Apple Logo são marcas registadas da Apple Inc. Google Play e o logótipo do Google Play são marcas comerciais da Google LLC. A palavra e os logotipos Bluetooth® são marcas registadas de propriedade da Bluetooth SIG, Inc. e qualquer uso dessas marcas pela Segway-Ninebot é feito sob licença. Outras marcas comerciais e nomes comerciais são dos seus respetivos proprietários.

A KickScooter é coberta por patentes relevantes. Para obter informações sobre patentes, visite <http://www.segway.com>. Tentamos incluir descrições e instruções para todas as funções da KickScooter no momento da impressão. No entanto, devido à constante melhoria das características do produto e mudanças do design, a sua KickScooter pode diferir ligeiramente daquela mostrada neste documento. Leia o código QR ou visite a Apple App Store (iOS) ou a Google Play Store (Android) para descarregar e instalar a aplicação.

Note que existem vários modelos Segway e Ninebot com funções diferentes, e algumas das funções aqui mencionadas podem não ser aplicáveis à sua unidade. O fabricante reserva-se o direito de alterar o design e a funcionalidade do produto e documentação KickScooter sem aviso prévio.

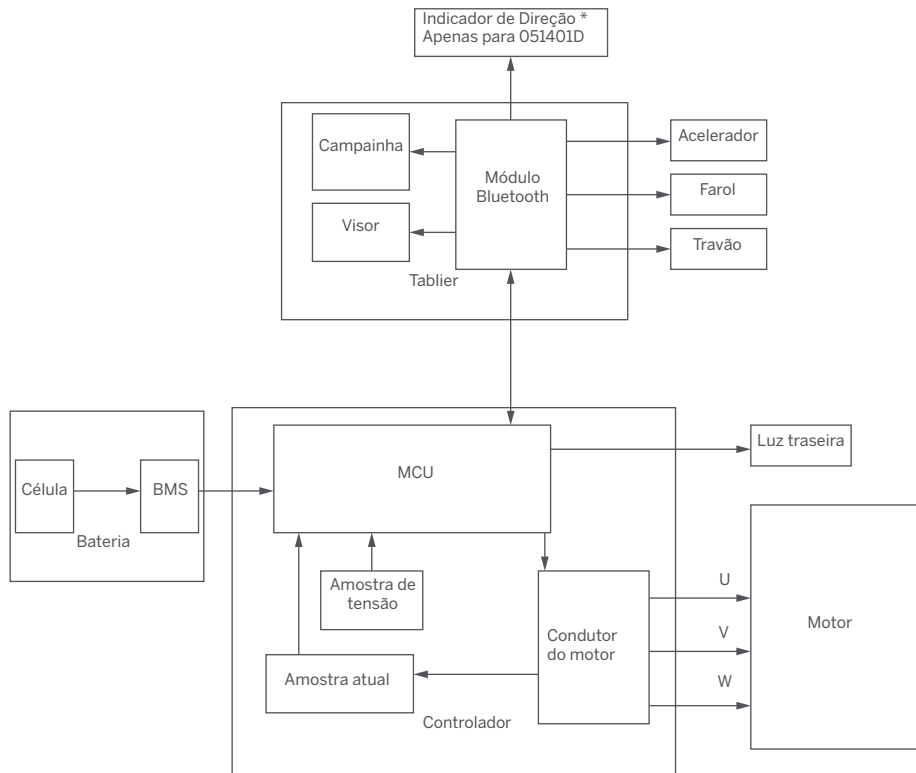
© 2023 Ninebot (Beijing) Tech Co., Ltd. Todos os direitos reservados.

(※A aplicação Segway-Ninebot pode suportar KickScooter com Bluetooth integrado)

5 Falhas Comuns

Código de erro	Causas Possíveis	Solução
10	Falha de comunicação Bluetooth	Verifique a ligação do fio de comunicação do tablier e do cabo de controlo, ou contacte o serviço pós-venda ou um concessionário autorizado.
11	Amostragem de corrente de fase 1A anormal do motor	Entre em contacto com o serviço pós-venda ou com um revendedor autorizado.
12	Amostragem de corrente anormal de fase 1B do motor	
13	Amostragem de corrente anormal de fase 1C do motor	
14	Amostragem anormal do hall do acelerador	Verifique se o acelerador é pressionado quando ligado, ou contacte o serviço pós-venda ou um concessionário autorizado.
15	Amostragem anormal do hall do travão	Verifique se a alavanca da brisa é apertada quando ligada, ou contacte o serviço pós-venda ou um revendedor autorizado.
24	Tensão padrão anormal	Verifique se o fio ligado com o cabo da bateria e o controlador está solto, ou contacte o serviço pós-venda ou um revendedor autorizado.
26	Escrita/leitura anormal de dados	Entre em contacto com o serviço pós-venda ou com um revendedor autorizado.
31	Operação FLASH incorreta	
35	Número de série padrão	Verificar se o número de série da KickScooter é o número de série padrão.
39	Temperatura anormal da bateria	Verifique o ambiente de trabalho da bateria, ou contacte o serviço pós-venda ou um revendedor autorizado.
40	Temperatura anormal do controlador	A temperatura do controlador é demasiado elevada, por favor contacte o serviço pós-venda ou um revendedor autorizado.
41	Temperatura anormal do motor	Entre em contacto com o serviço pós-venda ou com um revendedor autorizado.
42	Motor não calibrado	
45	Amostragem de corrente anormal de barramento	
50	Perda de fase motora	Verifique se o fio ligado com o motor e o controlador está solto, ou contacte o serviço pós-venda ou um revendedor autorizado.
52	Motor estagnado	Verificar se a KickScooter está sobrecarregada, ou contactar o serviço pós-venda ou um revendedor autorizado.

6 Diagrama Elétrico



7 Cronograma de manutenção recomendado

Para garantir uma condução segura, os cuidados diários e a manutenção regular são essenciais. Você, o proprietário, tem controlo e conhecimento da frequência com que usa a sua scooter, o quão difícil a usa e onde a usa. É da responsabilidade do proprietário realizar verificações regulares e levar a sua scooter ao centro de serviço autorizado para inspeção e serviço. Consulte o cronograma de manutenção abaixo.

Observação: Este cronograma de manutenção cobra uma taxa de serviço.

Item	Componente	Método de manutenção	A cada 3 meses	A cada 6 meses ou a cada 3500 km (milhas)	Após 2 anos ou a quilometragem total > 5000 km (3107 milhas)
Manutenção da estrutura principal	Partes da estrutura principal	Use um pano macio e húmido para limpar a estrutura principal.	✓	✓	✓
	Desgaste do pneu	Verifique se os pneus estão rachados, deformados ou significativamente gastos.		✓	✓
	Parafusos na parte superior da haste	Aperte os seis parafusos fixados com o guiador e a haste. O binário sugerido é de $5,5 \pm 0,3$ N·m.	✓	✓	✓
Aperte o parafuso no acelerador. O binário sugerido é de $2 \pm 0,1$ N·m. Aperte os parafusos nas alavancas do travão. O binário sugerido é de $5 \pm 0,1$ N·m. Aperte os parafusos na parte superior da haste. O binário sugerido é de $2 \pm 0,1$ N·m.				✓	✓
inspeção de função	Motor	Para acelerar e desacelerar, verifique se o motor está parado ou apresenta ruídos anormais.		✓	✓
	Manutenção da roda traseira	Verifique se a roda traseira está paralisada ou se fica instável, ou se o eixo do eixo está desequilibrado.		✓	✓
	Travão de tambor	1) Rodar a roda traseira, gira normalmente. A roda traseira não deve ficar presa ou fazer sons anormais. Nota: O ruído leve não afeta a segurança de condução. Mas se o freio a tambor fizer um barulho alto durante a frenagem, entre em contato com o atendimento ao cliente para obter ajuda. 2) Apertar a alavanca do travão, a roda traseira para de se mover.		✓	✓

Item	Componente	Método de manutenção	A cada 3 meses	A cada 6 meses ou a cada 500 km (310 milhas)	Após 2 anos ou quilometragem total > 5000 km (3107 milhas)
inspeção de função	Farol	Verifique o farol e veja se este brilha forte.		✓	✓
	Indicadores de direção * Apenas para 051401D	Altere o botão interruptor de indicador de direção para a esquerda/direita respetivamente, verifique se os indicadores de direção do lado esquerdo/direito piscam normalmente.		✓	✓
	Tablier	Ligue a scooter, o tablier funciona corretamente.		✓	✓
	Acelerador	Pressione e segure o acelerador e solte-o, verificando a aceleração e desaceleração.		✓	✓
	Deteção de erro	Depois de conectar com a aplicação Segway-Ninebot: 1) Atualize o firmware para a versão mais recente. 2) Verifique se a notificação do código de erro correspondente e as possíveis causas serão mostradas quando a scooter detetar um erro		✓	✓
	A Carregar	Carregue a scooter: 1) Verifique se a carga atual da bateria é apresentada no tablier. 2) Verifique o indicador LED no carregador de bateria. A Carregar: vermelho, Totalmente carregado: verde.		✓	✓
	Botões	Pressione ou alterne o botão 3 vezes sem falha.		✓	✓
	Steering	Teste com curvas à esquerda e à direita (o ângulo de direção é 60°). Sem resistência ou atraso ao virar.		✓	✓
Partes importantes	Montagem da bateria	A bateria precisa ser substituída quando for carregada e descarregada 500 vezes ou quando a quilometragem total for superior a 6213 km (10000 milhas). Observação: Recomenda-se carregar uma vez a cada 60 dias para armazenamento de longo prazo.			✓
	Controlador	É necessário que as peças originais Segway-Ninebot sejam utilizadas para reparações e substituições.			
	Motor				

Item	Componente	Método de manutenção	A cada 3 meses	A cada 6 meses ou a cada 500 km (310 milhas)	Após 2 anos ou quilometragem total > 5000 km (3107 milhas)
Partes funcionais	Montagem da roda traseira	É necessário que as peças originais Segway-Ninebot sejam utilizadas para reparações e substituições.			✓
	Alavancas do acelerador e travão				
	Montagem de tipo garfo dianteira				
	Mecanismo de dobramento				
	Montagem do travão de tambor Tablier				

Ovaj dokument je originalno proizveden i objavljen od strane proizvođača, brenda Segway, i preuzet je sa njihove zvanične stranice. S obzirom na ovu činjenicu, Tehnoteka ističe da ne preuzima odgovornost za tačnost, celovitost ili pouzdanost informacija, podataka, mišljenja, saveta ili izjava sadržanih u ovom dokumentu.

Napominjemo da Tehnoteka nema ovlašćenje da izvrši bilo kakve izmene ili dopune na ovom dokumentu, stoga nismo odgovorni za eventualne greške, propuste ili netačnosti koje se mogu naći unutar njega. Tehnoteka ne odgovara za štetu nanесenu korisnicima pri upotrebi netačnih podataka. Ukoliko imate dodatna pitanja o proizvodu, ljubazno vas molimo da kontaktirate direktno proizvođača kako biste dobili sve detaljne informacije.

Za najnovije informacije o ceni, dostupnim akcijama i tehničkim karakteristikama proizvoda koji se pominje u ovom dokumentu, molimo posetite našu stranicu klikom na sledeći link:

<https://tehnoteka.rs/p/segway-ninebot-kickscooter-e2-e-elektricni-trotinet-akcija-cena/>