

## Uputstvo za upotrebu (EN)

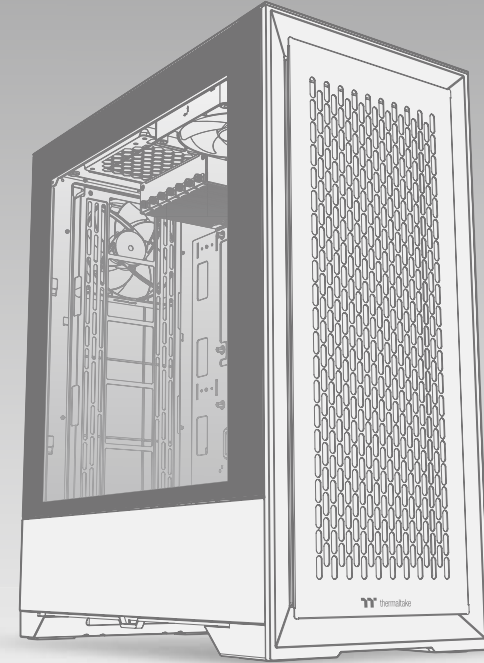
THERMALTAKE kućište CTE T500 belo



Tehnoteka je online destinacija za upoređivanje cena i karakteristika bele tehnike, potrošačke elektronike i IT uređaja kod trgovinskih lanaca i internet prodavnica u Srbiji. Naša stranica vam omogućava da istražite najnovije informacije, detaljne karakteristike i konkurentne cene proizvoda.

Posetite nas i uživajte u ekskluzivnom iskustvu pametne kupovine klikom na link:

<https://tehnoteka.rs/p/thermaltake-kuciste-cte-t500-belo-akcija-cena/>



## CTE T500 Air

User's Manual  
Benutzerhandbuch  
Mode d'emploi  
Manual del usuario  
Manuale dell'utente  
Manual do Utilizador

安裝說明書  
用戶手冊  
ユーザーズマニュアル  
Руководство пользователя  
kullanıcı elkitabı  
(EEE Yönetmeliğine Uygundur)  
คู่มือการใช้งาน



Product information



© 2023 Thermaltake Technology Co., Ltd. All Rights Reserved. 2023.04  
All other registered trademarks belong to their respective companies. [www.thermaltake.com](http://www.thermaltake.com)



## TT Premium



### TT Premium

To continue achieving the corporate mission of delivering the perfect user experience, Thermaltake developed "TT Premium" with the essence of combining supreme quality products with a new logo design. TT Premium is far more than just a guarantee of quality. Behind the name, it represents the passion in DIY, Modding and Thermaltake's desire to be the most innovative brand in the PC hardware market. To satisfy the demand of the high-end PC users, TT Premium follows its core values of Excellent Quality, Unique Design, Diverse Combinations and Boundless Creativity to provide a high performance PC product for every enthusiast. <http://tppremium.com>

## Tt LCS-Liquid Cooling Support Certification



Tt LCS Certified is a Thermaltake exclusive certification applied to only products that pass the design and hardcore enthusiasts standards that a true LCS chassis should be held to. The Tt LCS certification was created so that we at Thermaltake can designate to all power users which chassis have been tested to be best compatible with extreme liquid cooling configurations to ensure you get the best performance from the best features and fitment.

## Join Tt Community To Receive Benefits



Dear Valued Customer,  
Thank you for choosing Thermaltake.  
As a new user we value your thoughts and opinions and your feedback is important to us. We at Thermaltake would like to use this opportunity to invite you to join our Community Forums. Register today to start enjoying the full benefits of our community.



### Benefits of being a member:

- Quick and responsive user support
- Receive help and advice with new builds
- Keep up to date with new product releases
- Share your thoughts and builds with the community
- Enter monthly contests and giveaways

**Brand official website**  
<http://www.thermaltake.com/>

**Global Facebook**  
<https://www.facebook.com/ThermaltakeInc>

**Taiwan Facebook**  
<http://www.facebook.com/ThermaltakeTW>

**Global community forums**  
<http://community.thermaltake.com>

# CONTENTS


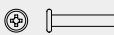





## Chapter 1. Product Introduction

1.0	Specification .....	01
1.1	Accessory .....	02
1.2	Warning and Notice .....	03

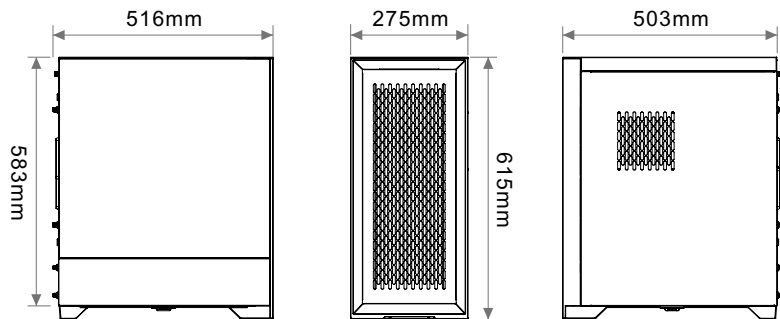
## Chapter 2. Installation Guide

2.0	Remove Components .....	06
2.1	Bracket Installation .....	07
2.2	Power Supply Unit (PSU) Installation .....	09
2.3	Motherboard Installation .....	10
2.4	3.5" & 2.5" HDD Installation .....	11
2.5	VGA Card Installation .....	13
2.6	AIO Liquid Cooling Installation .....	14
2.7	Liquid Cooling Installation .....	15
2.8	Pump Installation .....	16
2.9	Air Cooling Installation .....	17
2.10	I/O Connection .....	18
2.11	Remove Filters .....	19

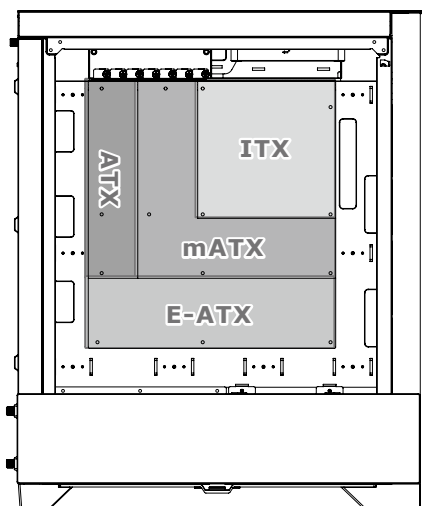
Case Type	Full Tower
Dimension (H*W*D)	615x 275 x 516 mm (24.21 x 10.83 x 20.31 inch)
Side Panel	Tempered Glass x 1
Material	SPCC / ABS
Cooling System	<b>Front (intake) :</b> 140 x 140 x 25 mm CT140 fan (1500rpm, 30.5 dBA) x 1 <b>Top (exhaust) :</b> 140 x 140 x 25 mm CT140 fan (1500rpm, 30.5 dBA) x 1 <b>Rear (intake) :</b> 140 x 140 x 25 mm CT140 fan (1500rpm, 30.5 dBA) x 1
Drive Bays	4 x 3.5" or 6 x 2.5"
Expansion Slots	7
Motherboards	6.7" x 6.7" (Mini ITX), 9.6" x 9.6" (Micro ATX), 12" x 9.6" (ATX), 12" x 13" (E-ATX)
I/O Port	USB 3.2 (Gen 2) Type-C x 1, USB 3.0 x 2, HD Audio x 1
PSU	Standard PS2 PSU (optional)
Fan Support	Front: 3 x 120mm, 2 x 120mm, 1 x 120mm 3 x 140mm, 2 x 140mm, 1 x 140mm
	Top: 2 x 120mm, 1 x 120mm 2 x 140mm, 1 x 140mm
	Right: 1 x 120mm, 1 x 140mm
	Rear: 3 x 120mm, 2 x 120mm, 1 x 120mm 3 x 140mm, 2 x 140mm, 1 x 140mm
	Bottom: 1 x 120mm, 1 x 140mm
	PSU Cover: 1 x 120mm, 1 x 140mm
Radiator Support	Front: 1 x 360mm, 1 x 240mm, 1 x 120mm 1 x 420mm (AIO only), 1 x 280mm, 1 x 140mm
	Top: 1 x 120mm (AIO only)
	Rear: 1 x 360mm, 1 x 240mm, 1 x 120mm 1 x 280mm, 1 x 140mm
Clearance	CPU cooler max height: 195mm VGA max length: 385mm PSU max length: 180mm

Figure	Part Name	Q'ty	Used For
	Screw #6-32 x 6mm	4	Power Supply
	Screw M3 x 5mm	40	Motherboard / 2.5" HDD / SSD
	Stand-off #6-32 x 8mm	4	Backup
	Screw #6-32 x 6mm	20	3.5" HDD
	Nut Setter	1	Motherboard Stand-off Installation
	Thumb Screw #6-32 x 9mm	2	Backup
	Screw Ø5 x 10mm	4	Case Fan
	Fan Screw #6-32 x 30mm	4	Case Fan
	HDD Rubber	8	HDD / SSD
	Buzzer	1	Motherboard Alarm
	Zip Ties	10	Cable Management
	Bump Bracket	1	Pump
	DIY Cover	1	MB tray
	Top Cover Clip	1	Backup
	Bezel Clip	1	Backup

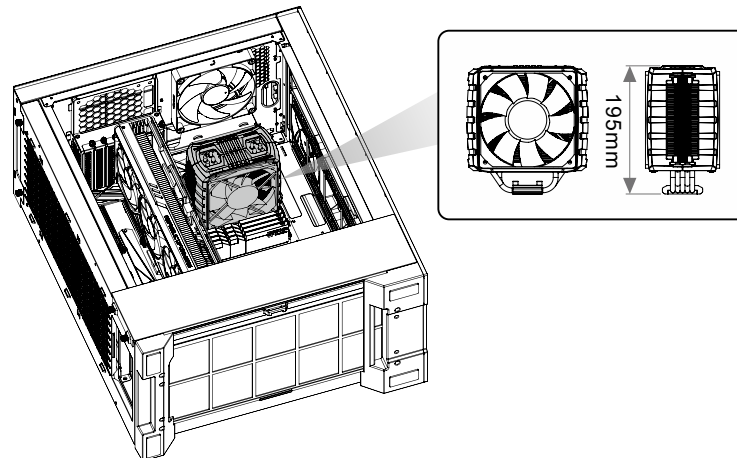
## Chassis dimension



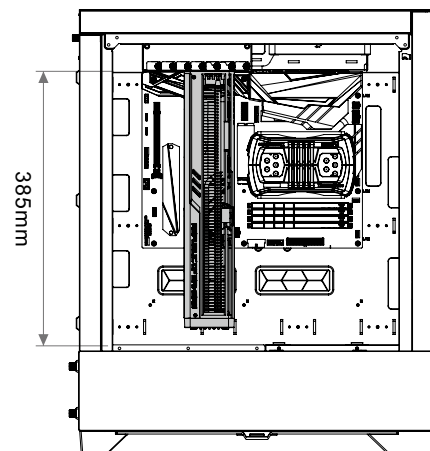
Motherboard compatibility: ITX / mATX / ATX / E-ATX  
(Up to 330.2mm wide)



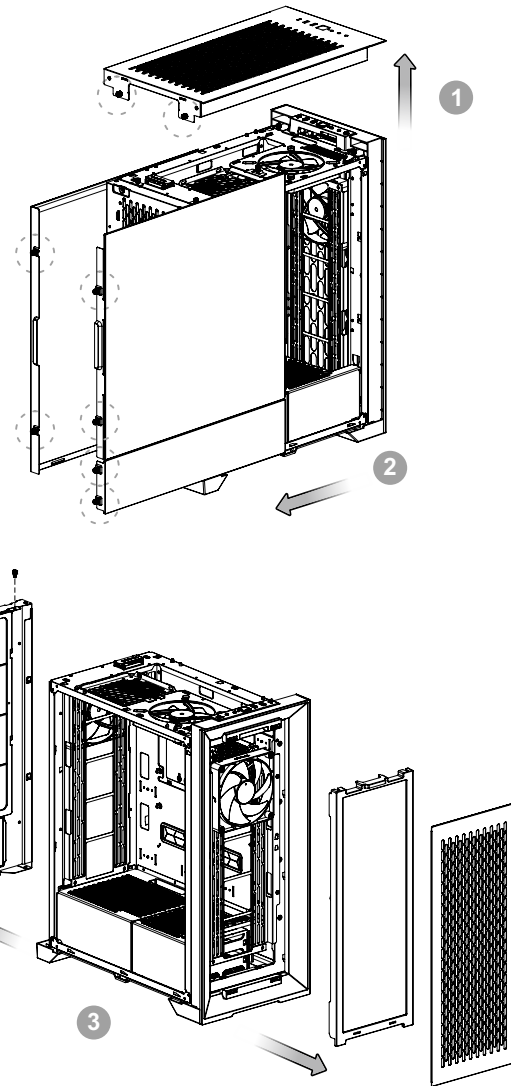
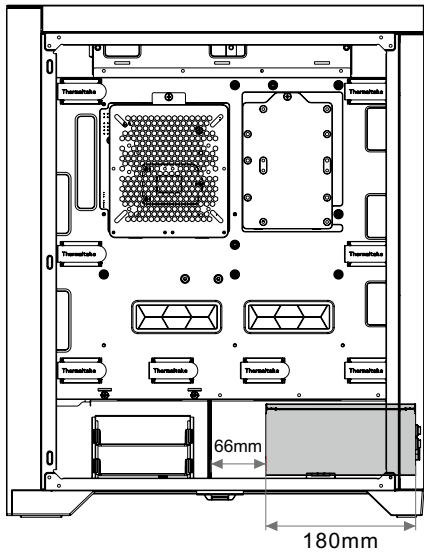
CPU cooler max height: 195mm

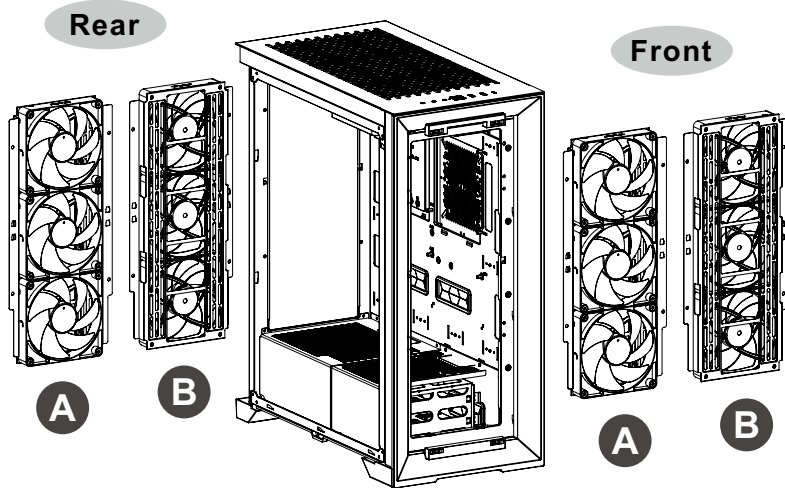


VGA max length: 385mm

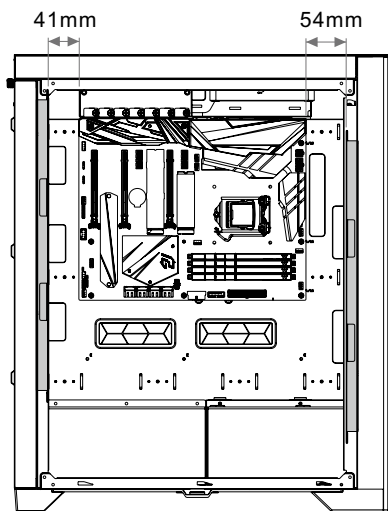


PSU max length: 180 mm



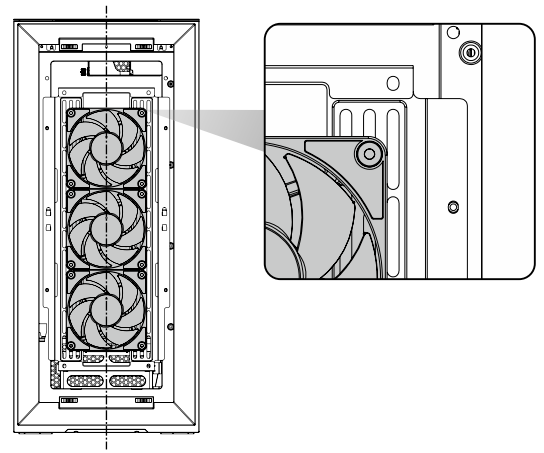


Radiator thickness limitation

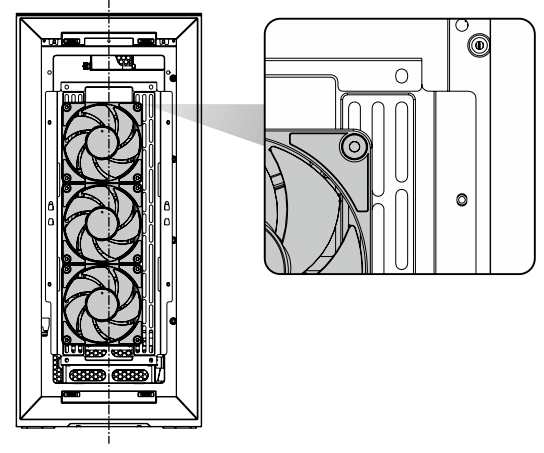


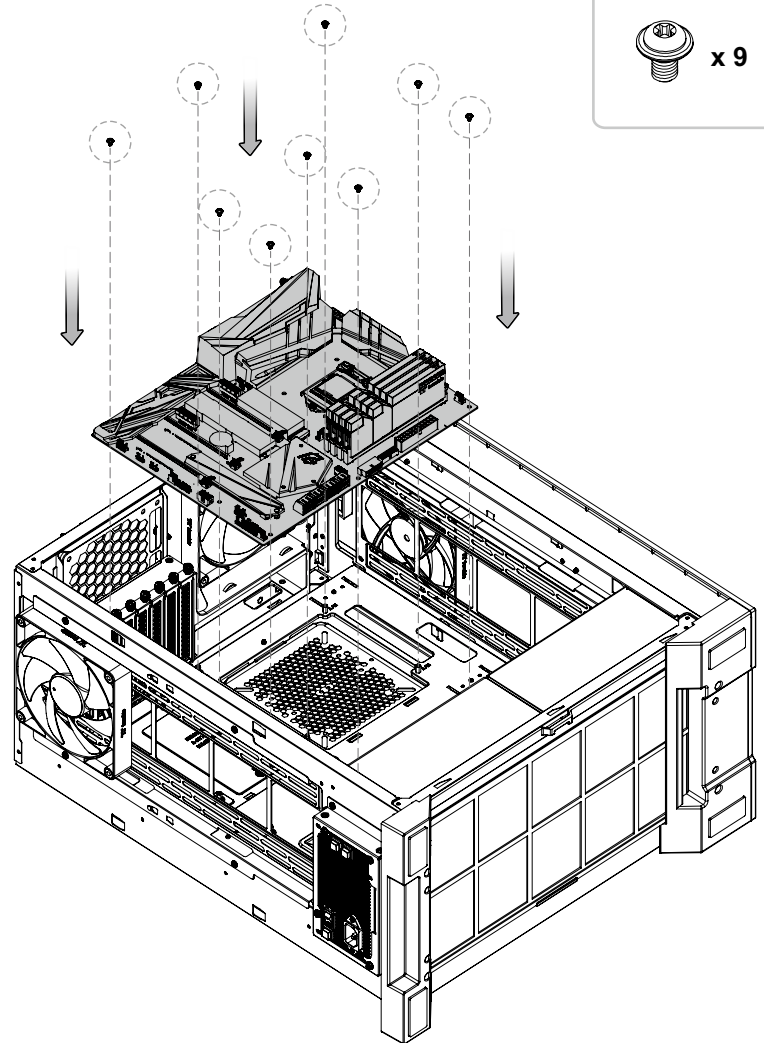
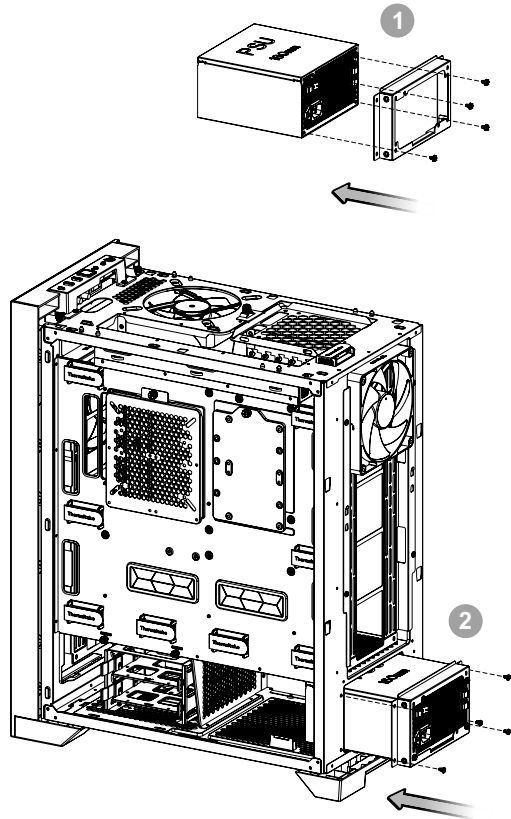
120mm fans' installation

Place A

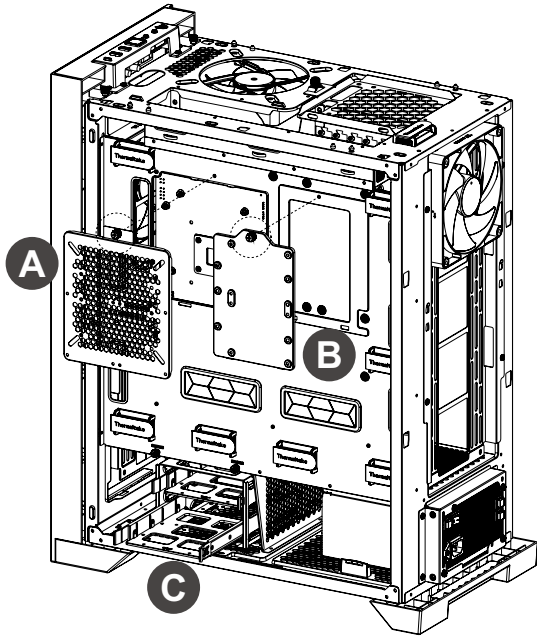


Place B

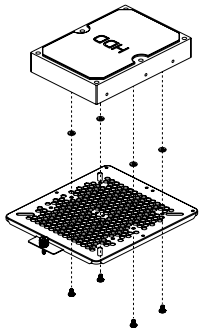




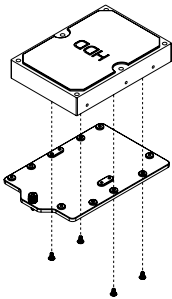




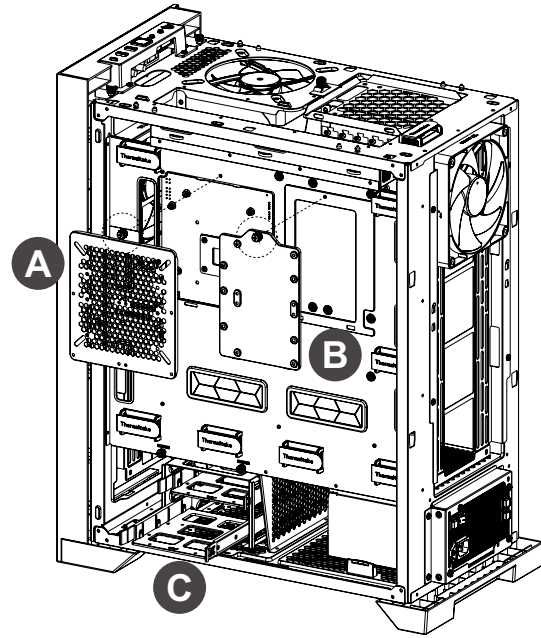
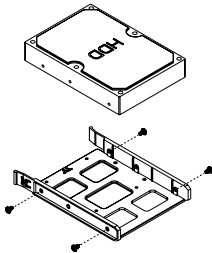
A



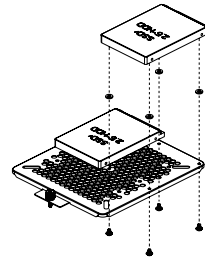
B



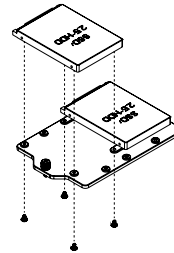
C



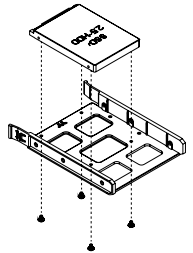
A

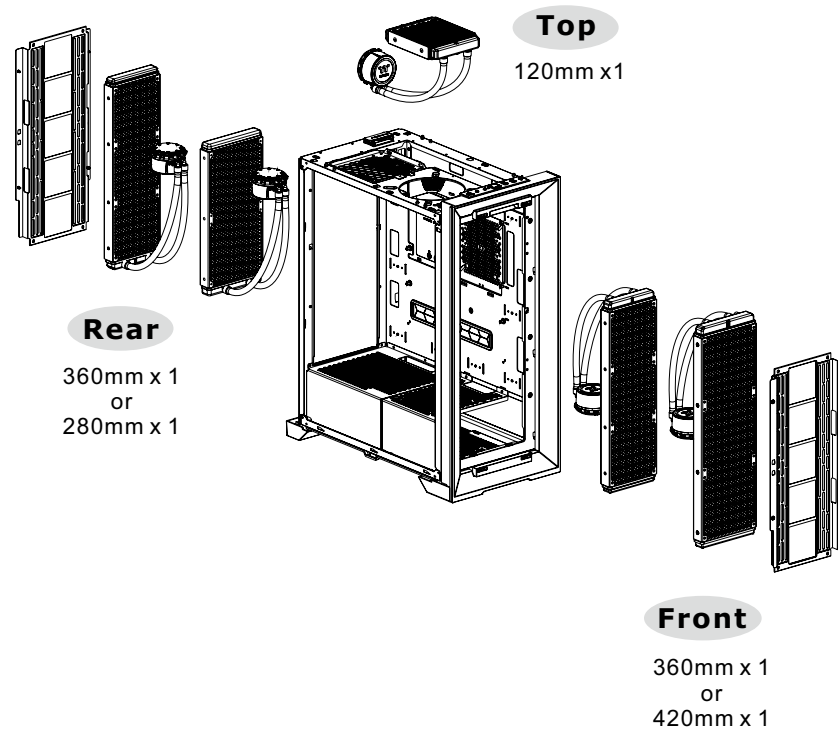
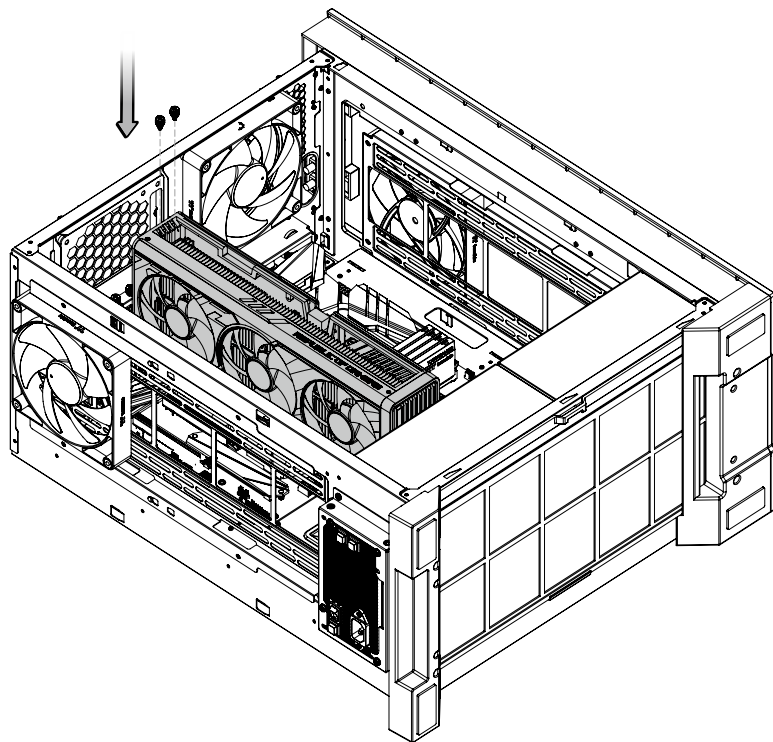


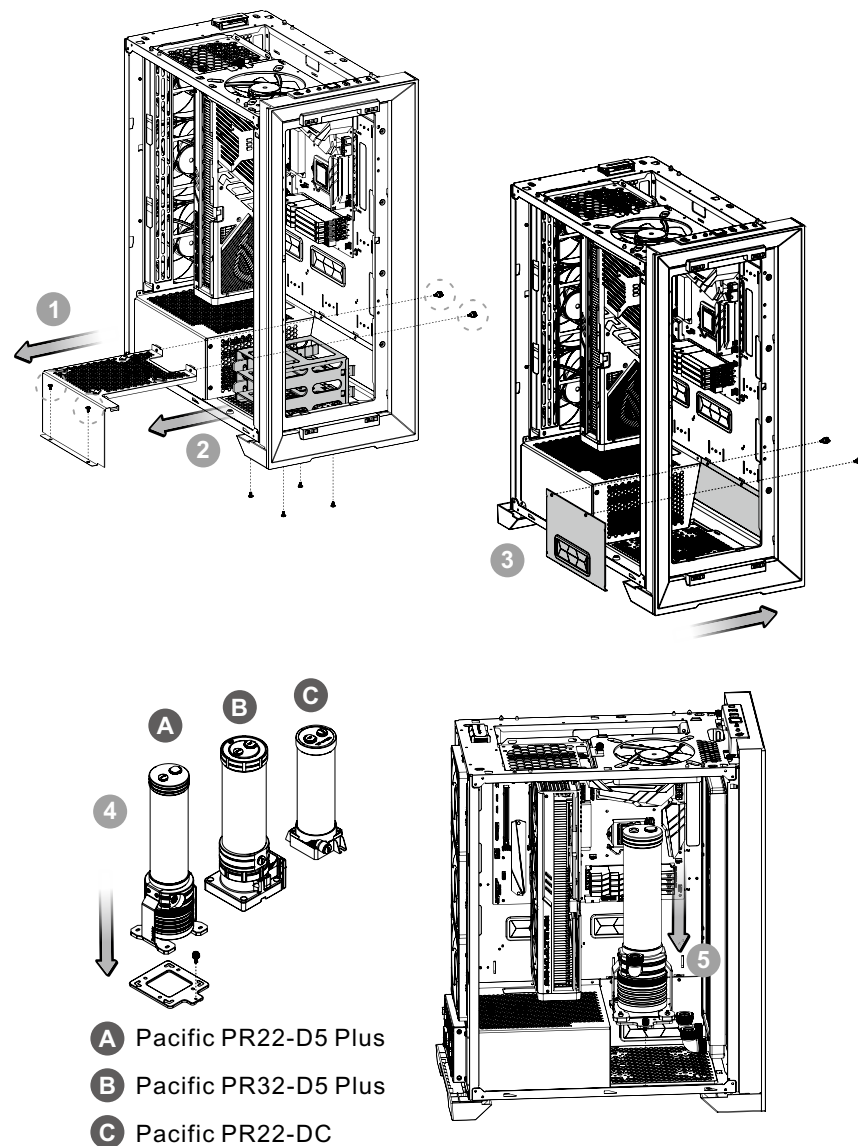
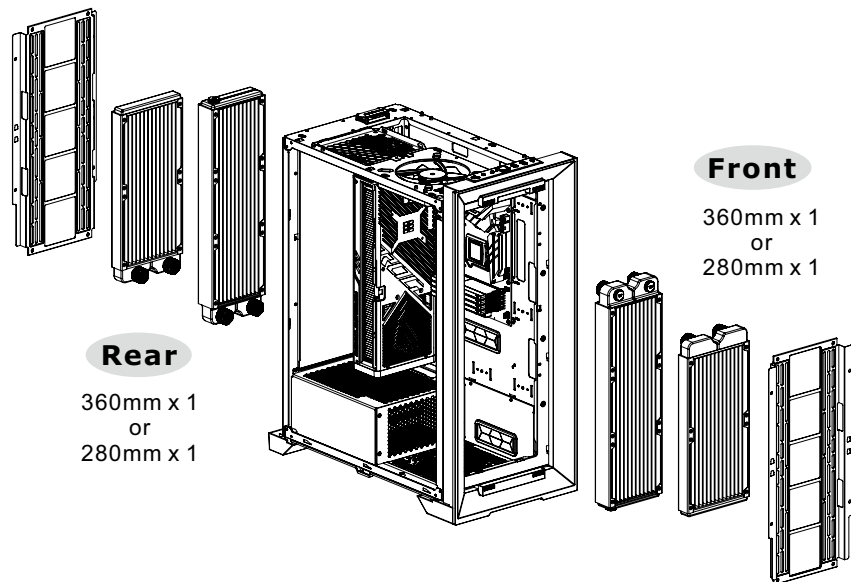
B

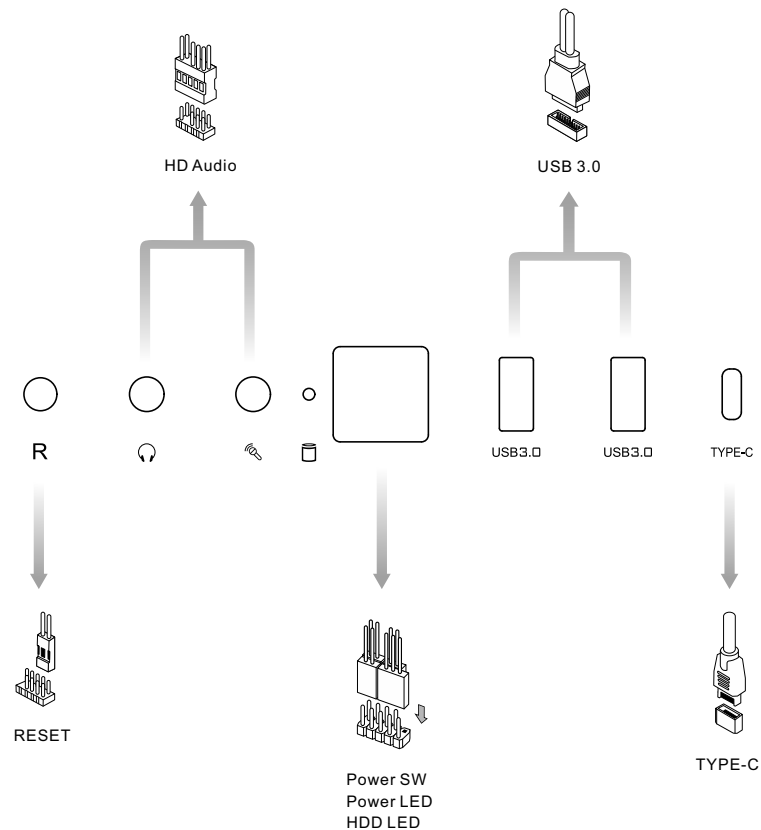
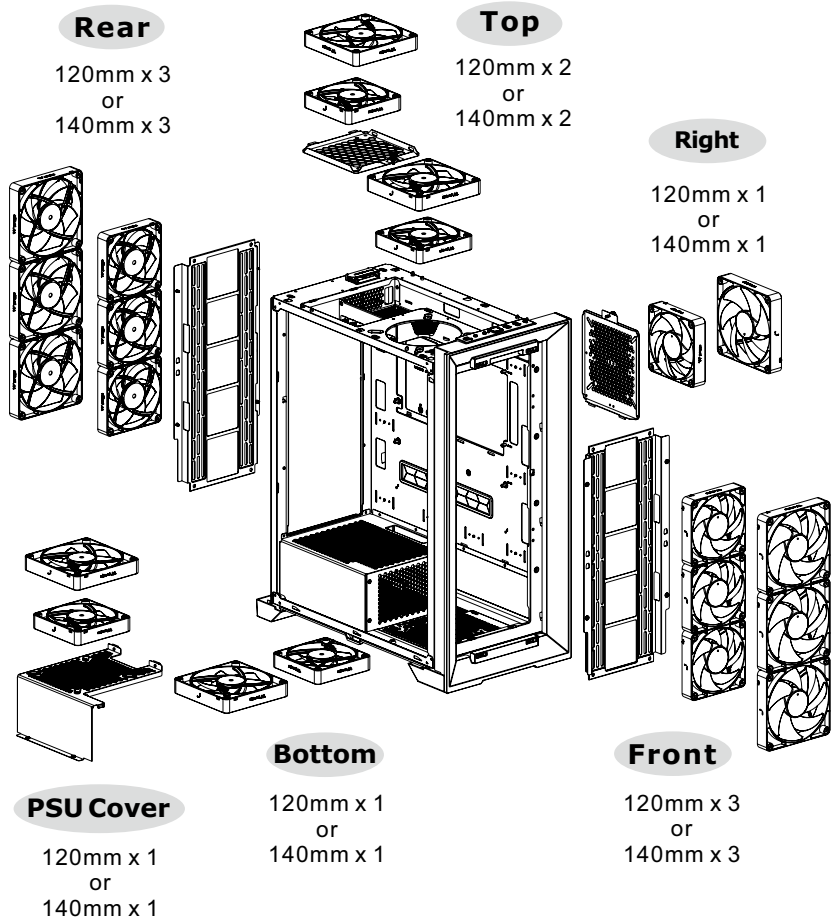


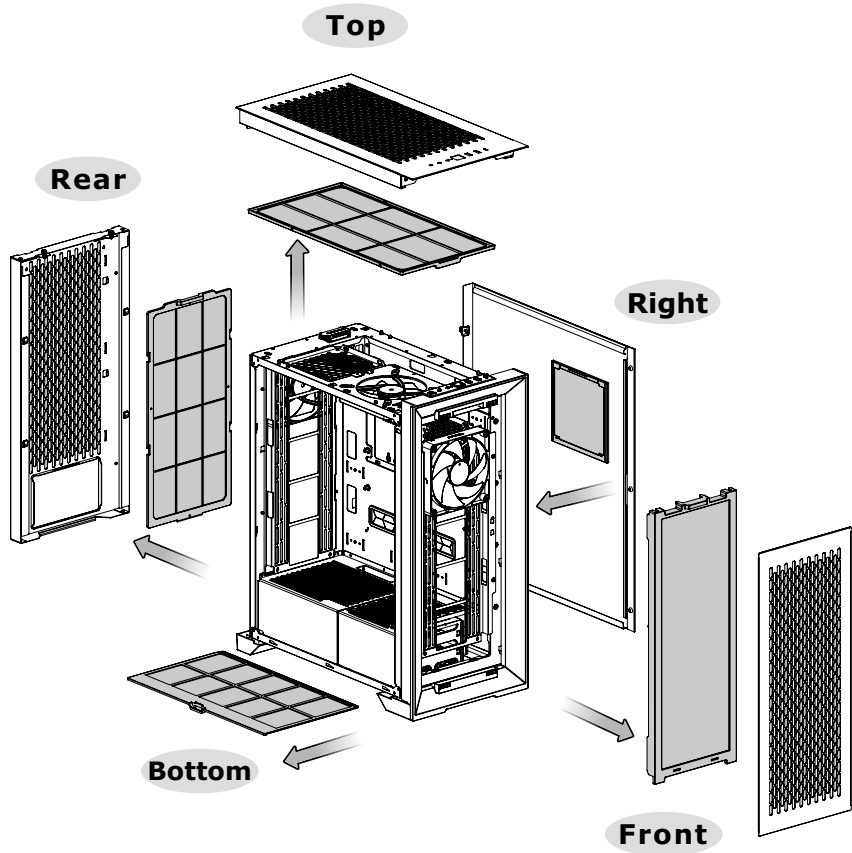
C











Ovaj dokument je originalno proizveden i objavljen od strane proizvođača, brenda Thermaltake, i preuzet je sa njihove zvanične stranice. S obzirom na ovu činjenicu, Tehnoteka ističe da ne preuzima odgovornost za tačnost, celovitost ili pouzdanost informacija, podataka, mišljenja, saveta ili izjava sadržanih u ovom dokumentu.

Napominjemo da Tehnoteka nema ovlašćenje da izvrši bilo kakve izmene ili dopune na ovom dokumentu, stoga nismo odgovorni za eventualne greške, propuste ili netačnosti koje se mogu naći unutar njega. Tehnoteka ne odgovara za štetu nanесenu korisnicima pri upotrebi netačnih podataka. Ukoliko imate dodatna pitanja o proizvodu, ljubazno vas molimo da kontaktirate direktno proizvođača kako biste dobili sve detaljne informacije.

Za najnovije informacije o ceni, dostupnim akcijama i tehničkim karakteristikama proizvoda koji se pominje u ovom dokumentu, molimo posetite našu stranicu klikom na sledeći link:

<https://tehnoteka.rs/p/thermaltake-kuciste-cte-t500-belo-akcija-cena/>