

Uputstvo za upotrebu (EN)

NZXT kućište H7 Flow CM-H72FB-01 crno

NZXT

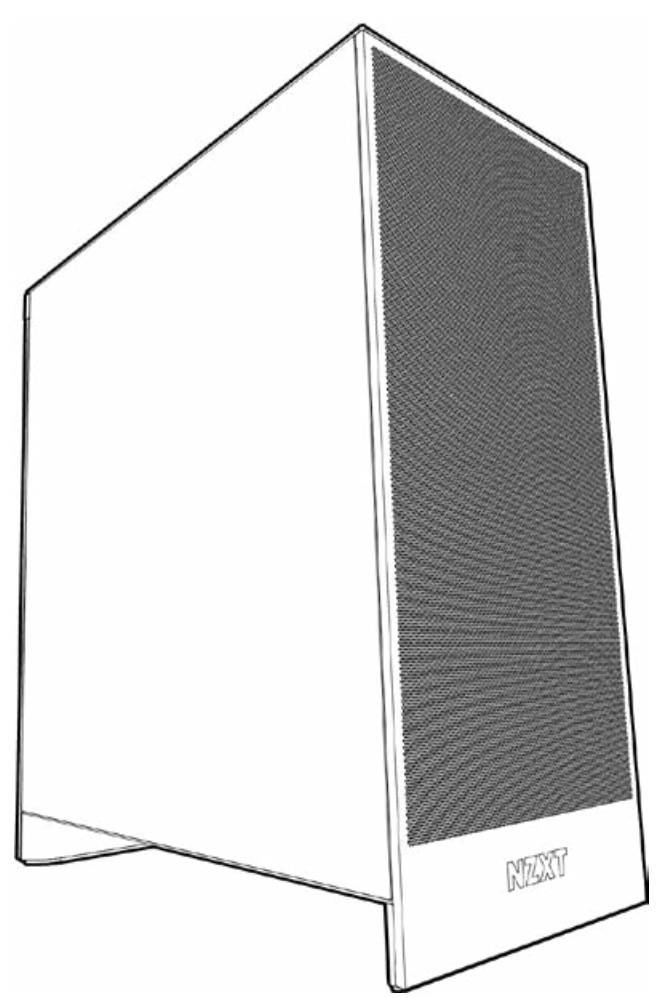


Tehnoteka je online destinacija za upoređivanje cena i karakteristika bele tehnike, potrošačke elektronike i IT uređaja kod trgovinskih lanaca i internet prodavnica u Srbiji. Naša stranica vam omogućava da istražite najnovije informacije, detaljne karakteristike i konkurentne cene proizvoda.

Posetite nas i uživajte u ekskluzivnom iskustvu pametne kupovine klikom na link:

<https://tehnoteka.rs/p/nzxt-kuciste-h7-flow-cm-h72fb-01-crno-akcija-cena/>

NZXT

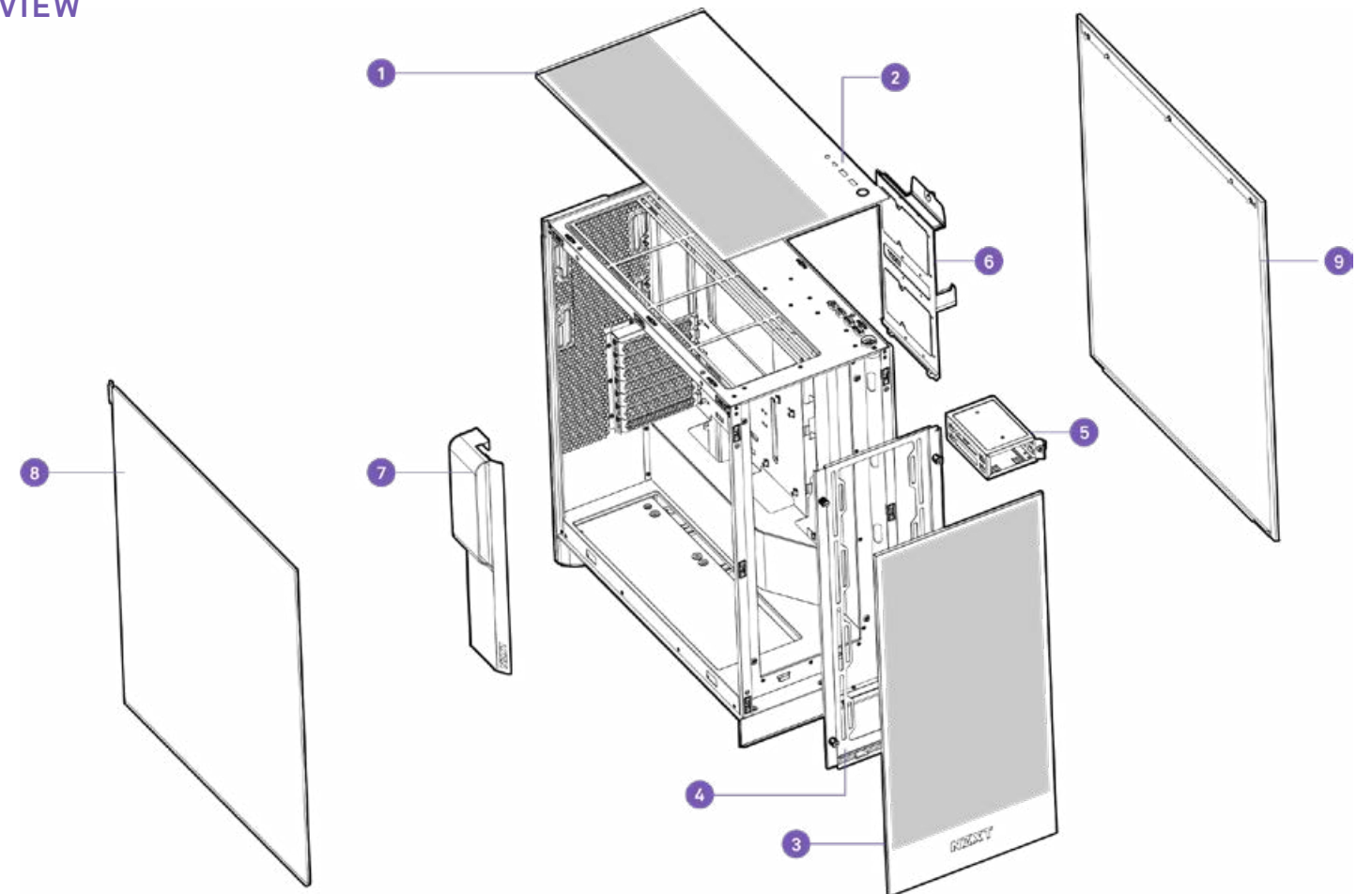


H7 FLOW & H7 FLOW RGB

MID-TOWER ATX AIRFLOW CASE

EXPLODED VIEW

VISTA EXPLOSIONADA
VUE EXPLODIÉE
EXPLOSIONSBARSTELLUNG
VEDUTA IN ESPLODO
VISTA EXPLODIDA
爆炸図
圖解
部件分解圖
部材分解圖



1. Top Panel
2. Top I/O module
3. Front panel
4. Removable front radiator/fan bracket
5. SSD Cage
6. HDD Tray
7. Cable bar
8. Tempered glass panel
9. Right side panel

1. Panneau supérieur
2. Module E/S supérieur
3. Panneau avant
4. Support de radiateur/ventilateur frontal amovible
5. Logement pour disque SSD
6. Plateau du disque dur
7. Barre de balayage pour nettoyage
8. Panneau gauche en verre trempé
9. Panneau latéral droit

1. Painel superior
2. Módulo de entrada/saída superior
3. Painel frontal
4. Soporte de ventoinha/radiador frontal removível
5. Compartimento para SSD
6. Bandeja para HDD
7. Barra de limpeza
8. Painel esquerdo em vidro temperado
9. Painel lateral direito

1. 頂部面板
2. 頂部 I/O 模塊
3. 前面板
4. 可拆卸的前置散熱器/風扇支架
5. 固態硬碟架
6. 碟架托架
7. 清潔掃把
8. 左側強化玻璃面板
9. 右側面板

1. Panel superior
2. Módulo de E/S superior
3. Painel frontal
4. Soporte de radiador/ventilador frontal extraíble
5. Jaula de SSD
6. Bandeja de disco duro
7. Barra de limpieza
8. Panel de cristal templado izquierdo
9. Panel lateral derecho

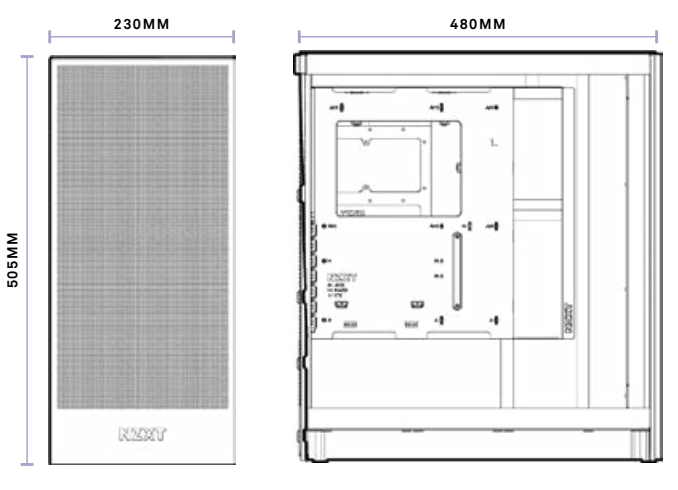
1. Abdeckung oben
2. Modul de E/S superior
3. Frontpanel
4. Abnehmbare Radiator-/Lüfterhalterung vorn
5. SSD-Käfig
6. HDD-Schale
7. Reinigungsbürste
8. Linke Hartglasblende
9. Rechte Blende

1. 상면 패널
2. 상단 I/O 모듈
3. 전면 패널
4. 탈착식 전면 라디에이터/팬 브래킷
5. SSD 케이지
6. HDD 트레이
7. 청소용 브러쉬
8. 좌측 강화 유리 패널
9. 우측 사이드 패널

1. 頂蓋
2. 頂部 I/O 模塊
3. 前蓋板
4. 可拆卸的前置散熱器/風扇支架
5. 固態硬碟機
6. 碟架托架
7. 清潔刷
8. 左側強化玻璃面板
9. 右蓋板

CLEARANCES AND SPECIFICATIONS

MEDIDAS Y ESPECIFICACIONES
DÉGAGEMENTS ET SPÉCIFICATIONS
ABSTÄNDE UND TECHNISCHE DATEN
SPAZI NECESSARI E SPECIFICAZIONI
DIMENSIONI E ESPECIFICAÇÕES



Motherboard Support	EATX, ATX, Micro-ATX and Mini-ITX
2.5" SSD Support	2+2
3.5" HDD Support	2
Expansion Slots	7
Cable Management Space	Up to 34.5mm
CPU Cooler Clearance	Up to 185mm
GPU Clearance	Up to 410mm
PSU Length	Up to 200mm
Top Mounted Radiator & Fan Combined Thickness	Up to 57mm

Placas base admitidas	EATX, ATX, Micro-ATX y Mini-ITX
Unidad de estado sólido de 2.5"	2+2
Unidad de disco duro de 3.5"	2
Ranuras de expansión	7
Espacio para organización de cables	Hasta 34.5 mm
Espacio para refrigerador del procesador	Hasta 185 mm
Espacio para gráfica	Hasta 410 mm
Longitud de la fuente de alimentación	Hasta 200 mm
Grosor de radiador y ventilador de 140 mm/280 mm combinados en la parte superior	Hasta 57 mm

Cartes mère prises en charge	EATX, ATX, MicroATX, MiniITX	메이보드 지원	EATX, ATX, Micro ATX, Mini ITX
SSD 2.5"	2+2	2.5" SSD	2+2
Disques durs 3.5"	2	3.5" HDD	2
Fentes d'expansion	7	확장 슬롯	7
Espace pour la gestion des câbles	Jusqu'à 34,5 mm	케이블 관리 공간	최대 34.5mm
Espace libre au niveau du refroidisseur de processeur	Jusqu'à 185 mm	CPU 쿨러 길이	최대 185mm
Espace libre au niveau de la carte graphique	Jusqu'à 410 mm	GPU 길이	최대 410mm
Longueur de l'alimentation	Jusqu'à 200 mm	PSU 길이	최대 200mm
Épaisseur cumulée radiateur et ventilateur 140 mm / 280 mm à montage supérieur	Jusqu'à 57 mm	상단 장착형 라디에이터 및 팬 결합 두께	최대 57mm

Motherboard-Unterstützung	EATX, ATX, Micro-ATX, Mini-ITX	마더보드 지원	EATX, ATX, MicroATX, MiniITX
2,5-Zoll-SSD	2+2	2.5" SSD 지원	2+2
3,5-Zoll-Festplatte	2	3.5" HDD 지원	2
Erweiterungsteckplätze	7	확장 슬롯	7
Platz für Kabelmanagement	Bis zu 34,5 mm	케이블 관리 스페이스	최대 34.5 mm
Freiraum für CPU-Kühler	Bis zu 185 mm	CPU 쿨러의 클리어런스	최대 185 mm
Freiraum für GPU	Bis zu 410 mm	GPU 클리어런스	최대 410 mm
Lange des Netzteils	Bis zu 200 mm	PSU 길이	최대 200 mm
Kombinierte Dicke des oben montierten 140/280-mm-Radiators und Lüfters	Bis zu 57 mm	탑 장착형 라디에이터와 팬의 결합 두께	최대 57 mm

Scheda madre supportata	EATX, ATX, Micro ATX, Mini ITX	주요 지원	EATX, ATX, Micro ATX, Mini ITX
SSD 2.5"	2+2	2.5" SSD 지원	2+2
HDD 3.5"	2	3.5" HDD 지원	2
Alloggi d'espansione	7	확장 슬롯	7
Spazio gestione cavi	Fino a 34,5mm	케이블 관리 공간	최대 34.5mm
Ingombro refrigeratore per CPU	Fino a 185mm	CPU 쿨러 높이	최대 185mm
Ingombro per GPU	Fino a 410mm	GPU 높이	최대 410mm
Lunghezza alimentatore	Fino a 200mm	PSU 길이	최대 200mm
Montaggio in alto 140mm / 280mm spessore radiatore & ventola combinati	Fino a 57mm	탑 장착형 라디에이터 & 팬의 결합 두께	최대 57mm

Placa-principais suportadas	EATX, ATX, Micro-ATX, Mini-ITX	주요 지원	EATX, ATX, Micro ATX, Mini ITX
SSD de 2,5"	2+2	2.5" SSD 지원	2+2
HDD de 3,5"	2	3.5" HDD 지원	2
Ranuras de expansão	7	확장 슬롯	7
Espaco para gestão de cabos	Até 34,5 mm	케이블 관리 공간	최대 34.5 mm
Espaco necessário para o refrigerador de CPU	Até 185 mm	CPU 쿨러 높이	최대 185 mm
Espaco necessário para a GPU	Até 410 mm	GPU 높이	최대 410 mm
Comprimento da fonte de alimentação	Até 200 mm	PSU 길이	최대 200 mm
Espessura combinada de ventoinha e radiador de 140 mm/280 mm montados no topo	Até 57 mm	탑 장착형 라디에이터 & 팬의 결합 두께	최대 57 mm

ACCESSORY BOX

CAJA DE ACCESORIOS
BOITE D'ACCESSOIRES
ZUBEHÖRSET
SCATOLA DEGLI ACCESSORI
CAIXA DE ACESSÓRIOS
악세서리 상자
部品箱 (説明書入り)
配件盒
零件盒

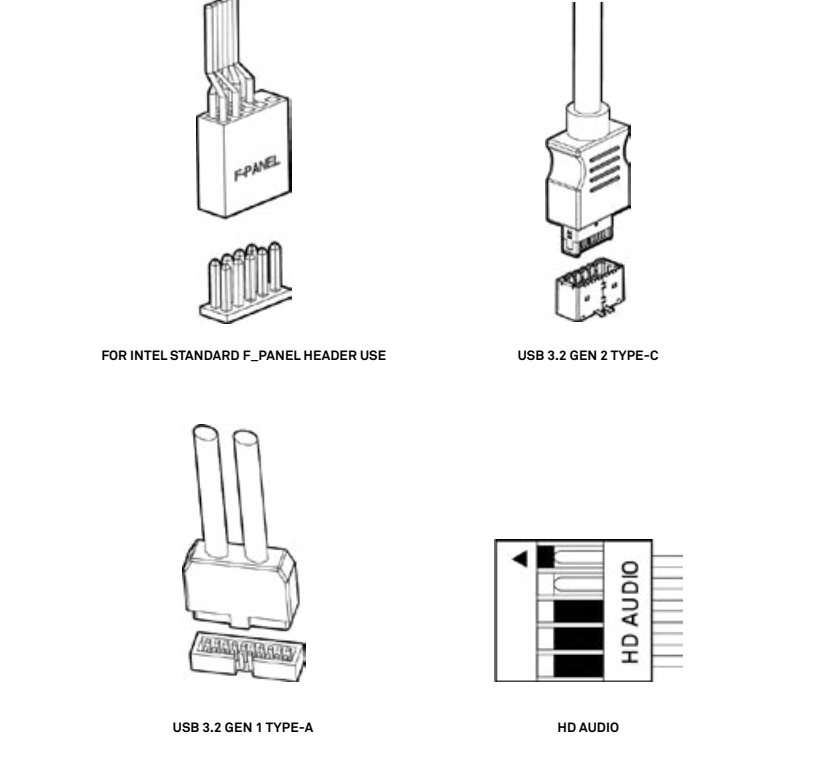
- A** Hexagon Screw 6-32 x 6mm x4
- B** Screw 6-32 x 5mm x17
- C** Screw M3 x 5mm x16
- D** Screw CB5 x 10mm x28
- E** Flathead CB5 x 13.5mm x12
- F** Standoff 6-32 x 6.5+4mm x1
- G** Standoff Wrench x1
- H** Cable ties x10

- A.** Hexagon Screw 6-32 x 6mm Power supply installation
- B.** Screw 6-32 x 5mm Motherboard installation, 3.5 hard drive installation
- C.** Screw M3 x 5mm 2.5 hard drive installation
- D.** Screw CB5 x 10mm Fan installation
- E.** Flathead CB5 x 13.5mm Fan installation
- F.** Standoff 6-32 x 6.5+4mm Motherboard installation
- G.** Standoff Wrench Motherboard installation
- H.** Cable Tie Cable management

- A.** Tornillo hexagonal de 6-32 x 6mm Instalación de la fuente de alimentación
- B.** Tornillo de 6-32 x 5mm Instalación de la placa base e instalación de la unidad de disco duro de 3.5"
- C.** Tornillo M3 x 5mm Instalación de la unidad de disco duro de 2.5"
- D.** Tornillo CB5 x 10 mm Instalación del ventilador
- E.** Tornillo CB5 x 13.5 mm Instalación del ventilador
- F.** Separador 6-32 x 6.5+4 mm Instalación de la placa base
- G.** Llave para separadores Instalación de la placa base
- H.** Brida para cables Administración de los cables

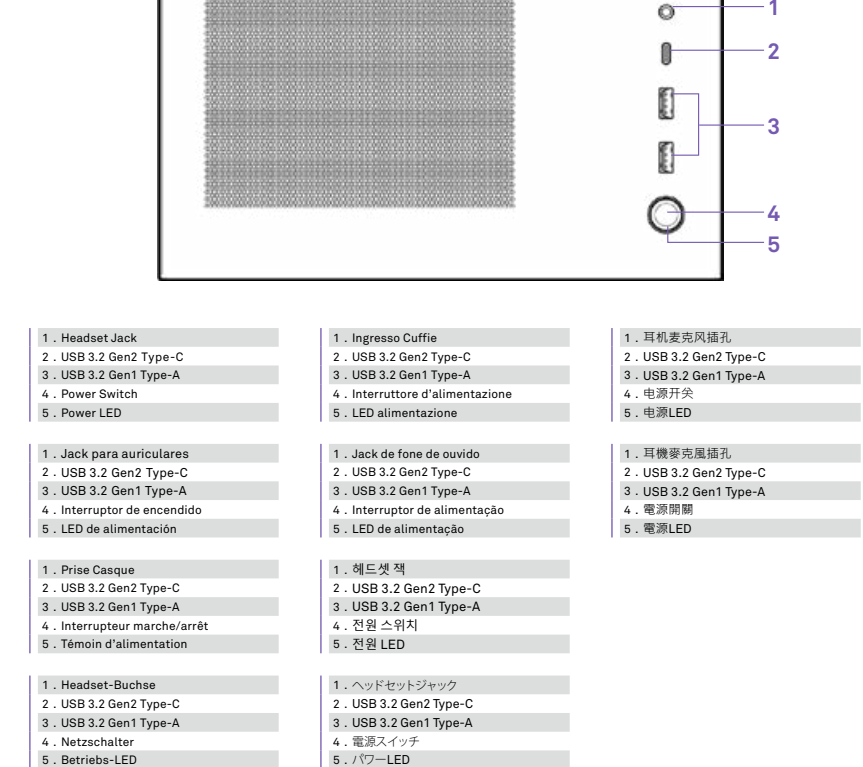
CABLE CONNECTIONS

DISCO DE ADMINISTRACIÓN DE CABLES
CONNEXIONS DES CÂBLES
KABELVERBINDUNGEN
COLLEGAMENTI DEI CAVI
LIGAÇÕES DE CABOS



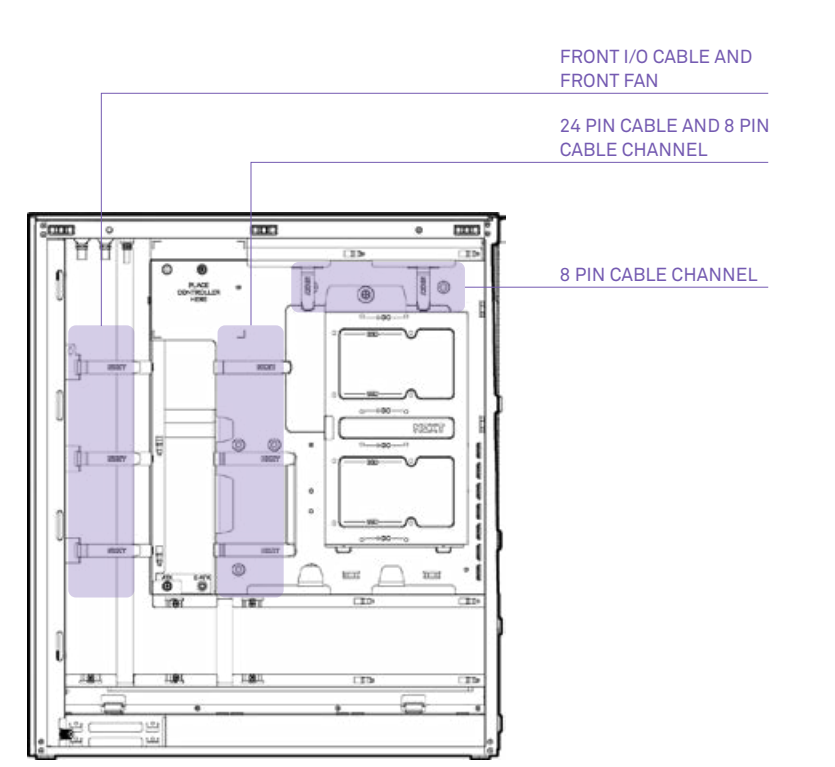
BUTTONS AND I/O

BOTONES Y E/S
CONNEXIONS DES CÂBLES
TASTEN UND E/A
PULSANTI E I/O
BOTÕES E E/S
버튼 및 I/O
ボタンスイッチ I/O
按鈕和 I/O
按鈕和 I/O



CABLE MANAGEMENT

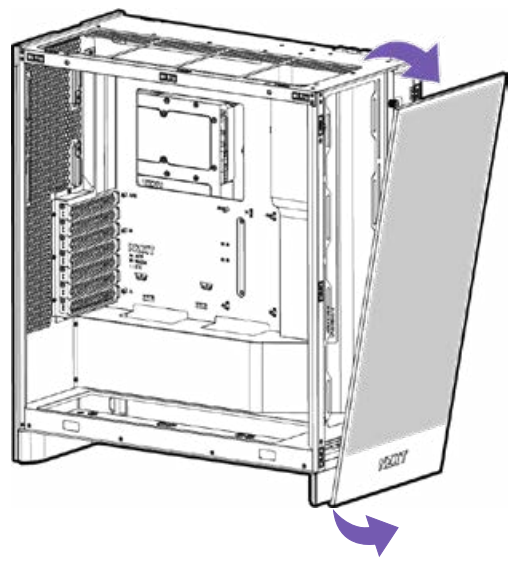
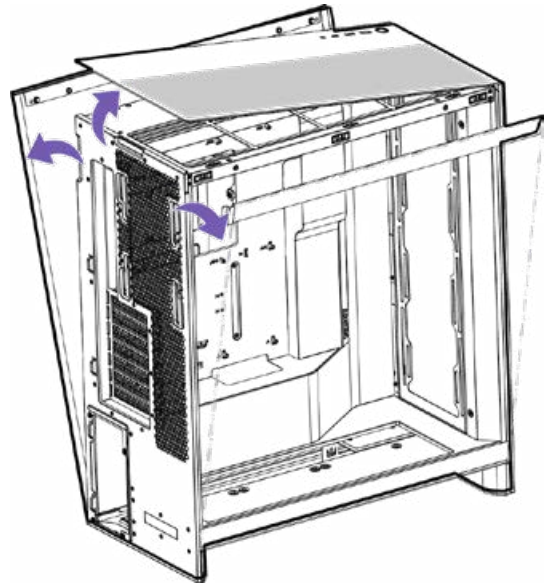
SISTEMA DE GESTIÓN DE CABLES
SYSTEME DE CÂBLAGE
KABELMANAGEMENTSYSTEM
SISTEMA DI GESTIONE DEI CAVI
SISTEMA DE GERENCIAMENTO DE CABOS
케이블 관리 시스템
ケーブルマネジメントシステム
線路管理系統
配線管理系統



- 1. FRONT I/O CABLE AND FRONT FAN
- 2. 24 PIN CABLE AND 8 PIN CABLE CHANNEL
- 3. 8 PIN CABLE CHANNEL

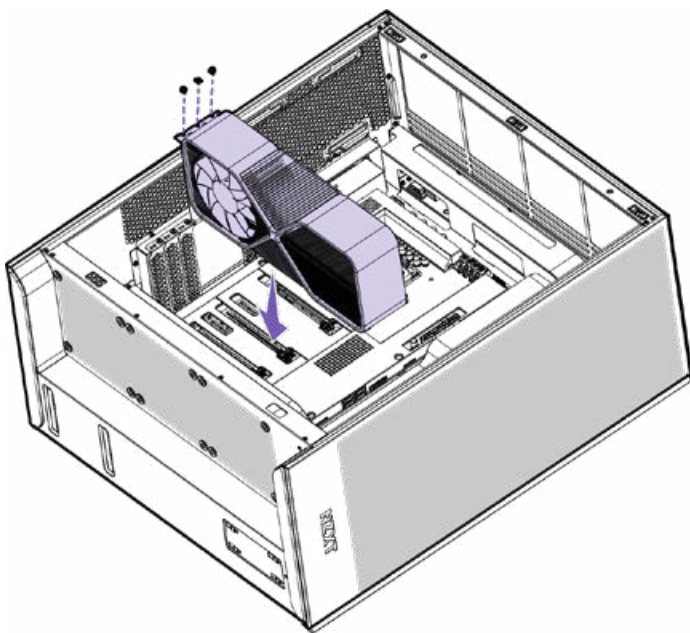
PANEL REMOVAL

EXTRACCIÓN DE PANEL
RETRAIT DU PANNEL
BLENDE ENTFERNEN
RIMOZIONE DEL PANNELLO
REMOÇÃO DOS PAINÉIS
패널 제거
下面板の取り出し
取下面板
移除面板



EXPANSION CARD INSTALLATION

INSTALACIÓN DE LA TARJETA DE EXPANSIÓN
INSTALLATION DE LA CARTE D'EXTENSION
INSTALLATION DER ERWEITERUNGSKARTE
INSTALLAZIONE DELLA SCHEDE D'ESPANSIONE
INSTALAÇÃO DA PLACA DE EXPANSÃO
확장 카드 설치
拡張カードの装着
扩展卡安装
擴充卡安裝



限用物质及元素列表 / 限用物質及元素清單

产品名称: 机箱 · 型號 (型式) : CA-2301, CA-2304						
有害物質及其化學符号						
部件名称	鉛(Pb)	銅(Cu)	汞(Hg)	六价鉻(Cr+)	多溴联苯(PBB)	多溴聯苯醚(PBDE)
外壳	○	○	○	○	○	○
线材	○	○	○	○	○	○
主板/机箱	○	○	○	○	○	○
电源/机箱	○	○	○	○	○	○
散热器	○	○	○	○	○	○

本表格依据SJ/T 11364的规定编制。
 ○: 表示该有害物质在该部件所有均质材料中的含量均在GB/T 26572规定的限量要求下。
 ×: 表示该有害物质至少在该部件的某一均质材料中的含量超出GB/T 26572规定的限量要求, 然该部件仍符合欧盟指令 2011/65/EU 的规范。

REGULATORY STATEMENT

FC CE **PAP PAPER** **FR** Cet appareil, ses accessoires et cordons se recyclent. **A DÉPOSER EN MAGASIN** **A DÉPOSER EN DÉCHÈTERIE** Points de collecte sur www.gaufredemesdetches.fr

UKKA DECLARATION OF CONFORMITY
The object of the declaration described above is in conformity with the relevant UK harmonization legislation:
 • Electromagnetic Compatibility Regulations 2016
 • Electrical Equipment (Safety) Regulations 2016
 • The Restriction of the Use of Certain Hazardous Substances in Electrical and Electronic Equipment Regulations 2012

ROHS STATEMENT
This product is compliant to implemented RoHS (Restriction of Hazardous Substances) type regulations worldwide, including but not limited to China, India, Japan, Korea and European Union.

REACH STATEMENT
EU REACH SVHC Disclosure on Candidate List
REACH (Registration, Evaluation, Authorization and Restriction of Chemicals, EC 1907/2006) is the European Union's (EU) chemical substances regulatory framework. REACH requires NZXT Inc. to provide customers with sufficient information on Substances of Very High Concern (SVHC) contained in products in concentration above 0.1% weight by weight (w/w) to allow safe use of the product.

DECLARATION OF CONFORMITY
The device complies with the requirements set out in the Council Directives relevant Union harmonisation legislation:
 • EMC Directive 2014/30/EU
 • RoHS Directive 2011/65/EU & (EU) 2015/863

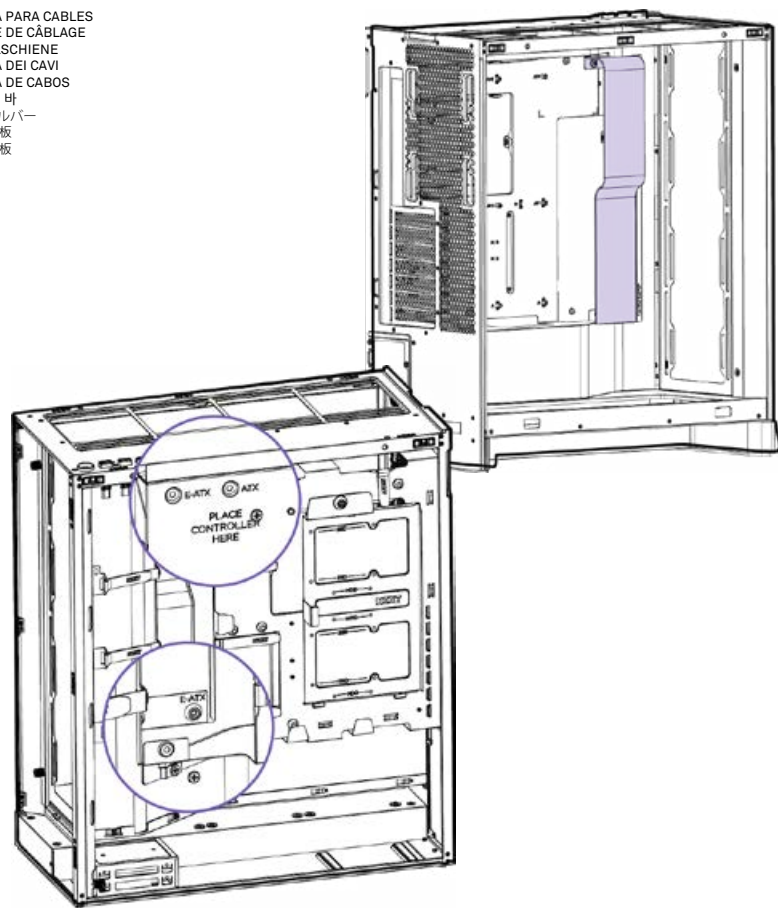
DÉCLARATION DE CONFORMITÉ
El dispositivo es conforme aux exigences définies dans les directives du Conseil relatives à la législation d'harmonisation de l'Union Européenne:
 • Directive EMC 2014/30/UE
 • Directive RoHS 2011/65/UE et (UE) 2015/863

DECLARACIÓN DE CONFORMIDAD
El dispositivo cumple los requisitos impuestos en las directivas del Consejo relativas a la legislación de armonización de la Unión Europea:
 • Directiva sobre compatibilidad electromagnética 2014/30/UE
 • Directiva sobre sustancias peligrosas 2011/65/UE (UE) 2015/863

DICHIARAZIONE DI CONFORMITÀ
Il dispositivo è conforme con i requisiti definiti nelle Direttive del Consiglio relative alla Norma sull'armonizzazione dell'Unione:
 • Direttiva EMC 2014/30/UE
 • Direttiva RoHS 2011/65/UE e (UE) 2015/863

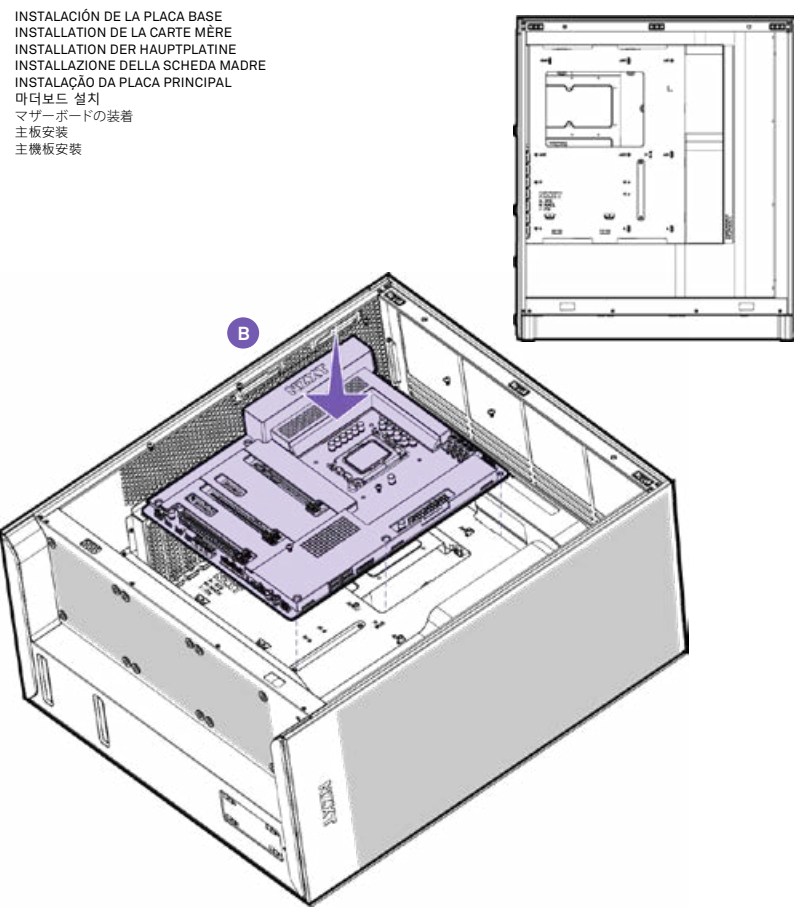
CABLE BAR

BARRA PARA CABLES
BARRÉ DE CÂBLAGE
KABELSCHIENE
BARRA DEI CAVI
BARRA DE CABOS
케이블 배
ケーブルバー
插接排板
繫線理板



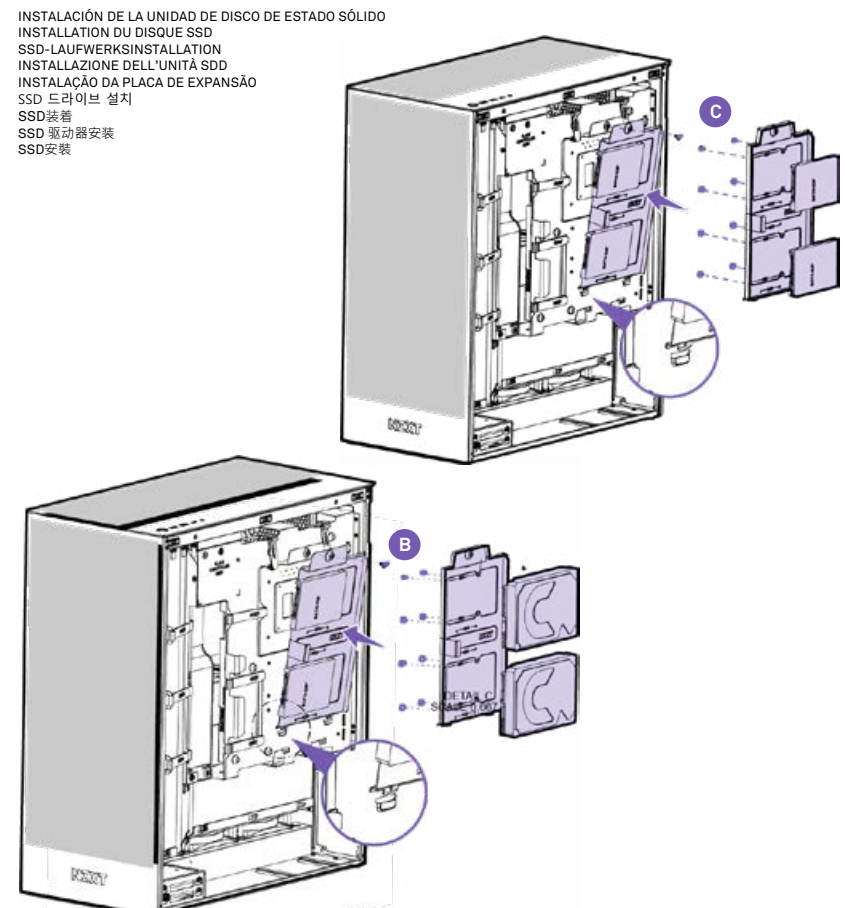
MOTHERBOARD INSTALLATION

INSTALACIÓN DE LA PLACA BASE
INSTALLATION DE LA CARTE MÈRE
INSTALLATION DER HAUPTPLATINE
INSTALLAZIONE DELLA SCHEDE MADRE
INSTALAÇÃO DA PLACA PRINCIPAL
메이보드 설치
マザーボードの装着
主板安裝
主機板安裝



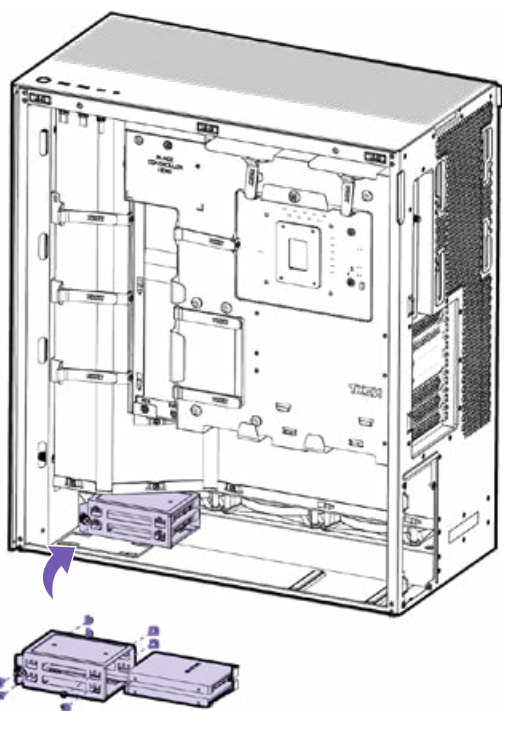
SSD DRIVE INSTALLATION

INSTALACIÓN DE LA UNIDAD DE DISCO DE ESTADO SÓLIDO
INSTALLATION DU DISQUE SSD
SSD-LAUFWERKINSTALLATION
INSTALLAZIONE DELL'UNITÀ SSD
INSTALAÇÃO DA PLACA DE EXPANSÃO
메이보드 설치
SSD装着
SSD固态硬盘安裝
SSD安裝



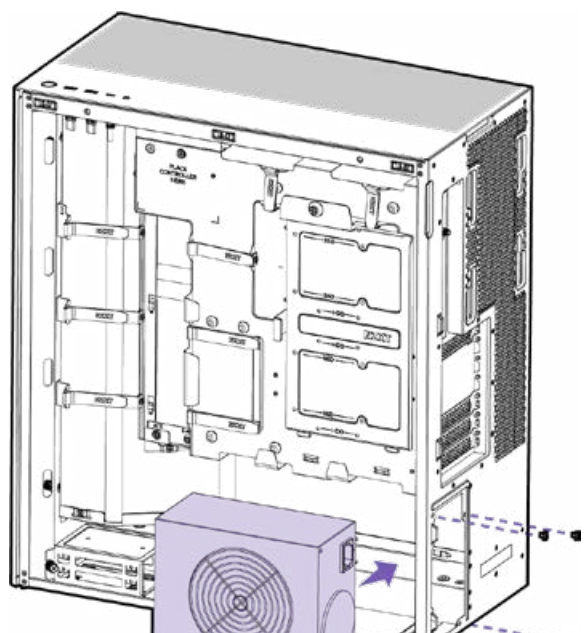
HDD DRIVE INSTALLATION

INSTALACIÓN DE LA UNIDAD DE DISCO DURO
INSTALLATION DE LECTEUR HDD
HDD-LAUFWERKINSTALLATION
INSTALLAZIONE DELL'UNITÀ HDD
INSTALAÇÃO DA PLACA DE EXPANSÃO
HDD 드라이브 설치
HDD装着
HDD 硬盘安装
硬盤安裝



POWER SUPPLY INSTALLATION

INSTALACIÓN DE LA FUENTE DE ALIMENTACIÓN
INSTALLATION DE L'ALIMENTATION
INSTALLATION DER STROMVERSORGUNG
INSTALLAZIONE DELL'ALIMENTATORE
INSTALAÇÃO DA FONTE DE ALIMENTAÇÃO
전원 공급 장치 설치
電源の設置
电源安装
電源安裝



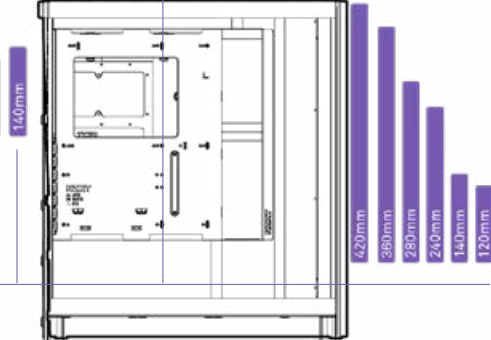
FAN AND RADIATOR SUPPORT

COMPATIBILIDAD DE VENTILADORES Y RADIADORES
PRISE EN CHARGE DES RADIATEURS ET VENTILATEURS
LÜFTER- UND KÜHLER-UNTERSTÜTZUNG
SUPPORTO VENTOLE E RADIATORE
SOPORTE PARA VENTONINHA E A RADIADOR
팬 및 쿨러/라디에이터 지지
対応ファン/冷却材/ラジエータ
風扇和散熱器安裝
風扇和散熱器安裝

- 120mm
- 140mm
- 240mm
- 280mm
- 360mm

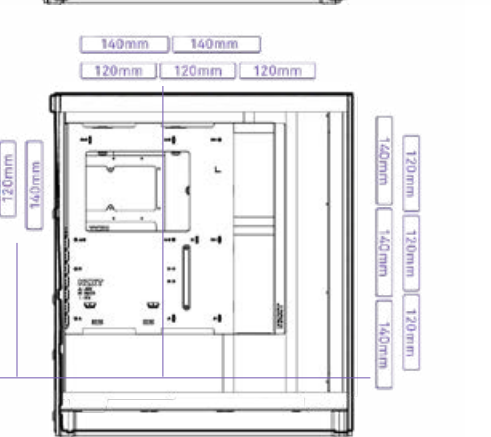
RADIATOR

TOP: UP TO 360MM
FRONT: UP TO 420MM
REAR: UP TO 140MM



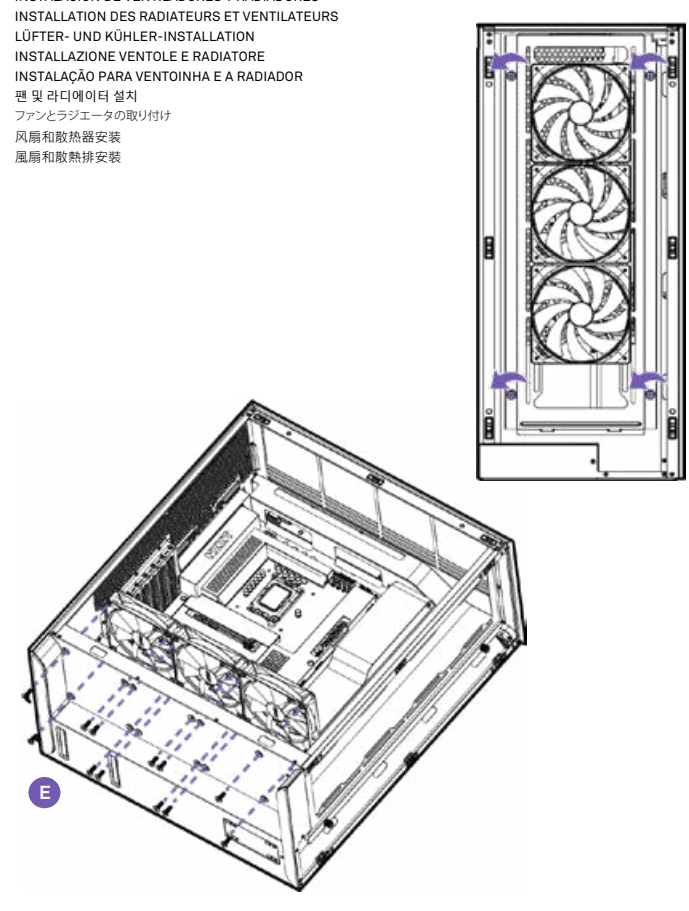
FAN

TOP: 3 X 120MM / 2 X 140MM
FRONT: 3 X 120MM / 3 X 140MM
REAR: 1 X 120MM / 1 X 140MM



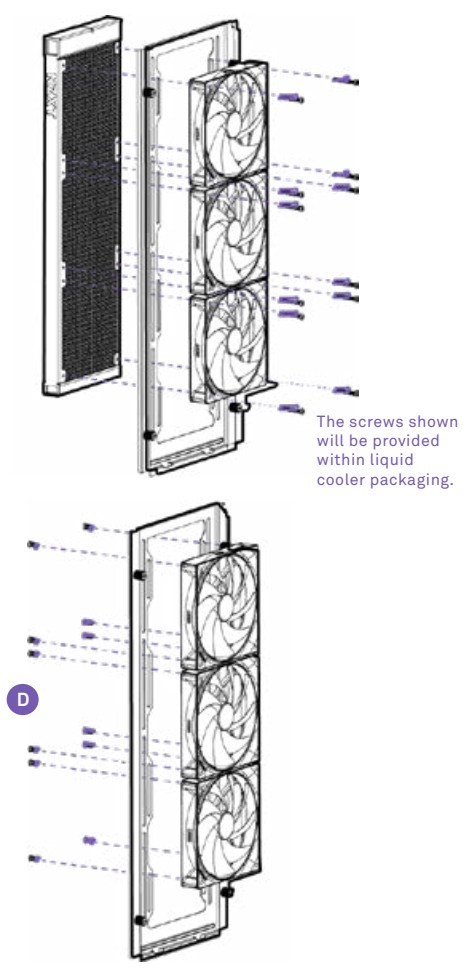
FAN & RADIATOR INSTALLATION

INSTALACIÓN DE VENTILADORES Y RADIADORES
INSTALLATION DES RADIATEURS ET VENTILATEURS
LÜFTER- UND KÜHLER-INSTALLATION
INSTALLAZIONE VENTOLE E RADIATORE
INSTALAÇÃO PARA VENTONINHA E A RADIADOR
팬 및 라디에이터 설치
ファンとラジエータの取り付け
風扇和散熱器安裝
風扇和散熱器安裝



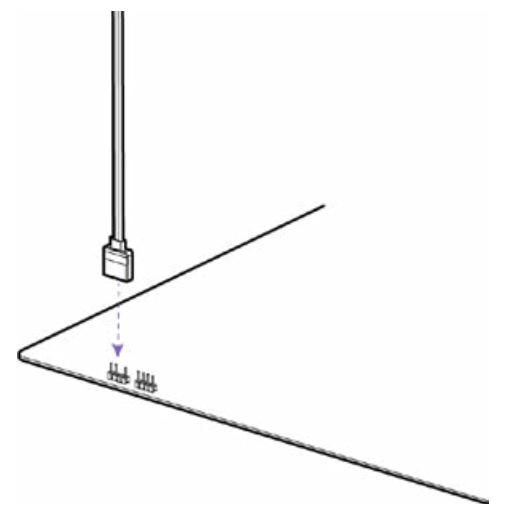
POWERING THE LEDS

CÓMO ALIMENTAR LAS LUCES LED (ARGB 5 V)
ALIMENTAZIONE DEI LED (RGB 5 V)
LEDS ANSCHLIESSEN (5V ARGB)
ALIMENTAZIONE LED (5V ARGB)
ALIMENTAÇÃO DOS LEDS (ARGB 5V)
LED 전원 키기 (5V ARGB)
LEDへの電力供給 (5V ARGB)
为 LED 供电 (5V ARGB)
为 LED 供电 (5V ARGB)



FLOW RGB ONLY

Connect the 5V ARGB (Female) end to an available 5V 3-pin ARGB header on your motherboard. Connect the extreme of ARGB 5V (header) to a cable ARGB 5V de 3 pines que tengas disponible en la placa base. Raccordez l'extrémité RVBA 5 V (femelle) à une embase RVBA 5 V 3 broches disponible sur votre carte mère. SchlieÙ das 5V ARGB-Kabel (Buchse) an einen freien 5V 3-Pin ARGB-Anschluss auf deinem Motherboard an. Collega il terminale ARGB 5V a un connettore 5V a 3 pin disponibile sulla scheda madre. Ligue a extrémité ARGB 5V (fêmea) a um conector disponível ARGB 5V de 3 pinos na sua motherboard. 5V ARGB(母) 단부를 메인보드에 있는 사용 가능한 5V 3핀 ARGB 헤더에 연결합니다. 5V ARGB(メス) 端子をマザーボード上の使用可能な5V 3ピン ARGBヘッダーに接続します. 5V ARGB (母端) 端子를 메인보드 상에 사용되는 5V 3핀 ARGB 헤더에 연결합니다. 5V ARGB (母端) 插頭接到主機板上的可用 5V 3 針 ARGB 插頭。



NZXT GLOBAL WARRANTY POLICY

This NZXT Global Warranty Policy governs the sale of products by NZXT to you.

New NZXT Product	Warranty Length for Parts
Computer Cases	2 Years

Any replacement product will be covered under warranty for the remainder of the warranty period or thirty days, whichever is longer. Proof of purchase is required for warranty service.

II. WHO IS PROTECTED
The Warranty covers only NZXT products purchased by the original consumer.

III. WHAT IS AND IS NOT COVERED
Please note that our warranty is not an unconditional guarantee. If the product, in NZXT's reasonable opinion, malfunctions within the warranty period, NZXT will provide you at its sole discretion with a repaired or replacement product, either new or refurbished, with a similar function that is equal or greater in value depending on supply. Our warranty does not cover the following:

- any product or serial number/warranty sticker modification applied without permission from NZXT;
- any damage that is not a manufacturing defect;
- damage, deterioration or malfunction resulting from accident, abuse, misuse, neglect, fire, water, lightning, or other acts of nature, unauthorized product modification or failure to follow instructions included with the product;
- improper installation, unauthorized alterations or modifications, or repair or attempted repair by anyone not authorized by NZXT;
- shipping or transport damage (claims must be made with the carrier);
- normal wear and tear.

NZXT does not warrant that this product will meet your requirements. It is your responsibility to determine the suitability of this product for your purpose. For NZXT Store orders, we cover two way return shipping for all exchanges and returns. For all other authorized dealers, NZXT Support does not cover return shipping and only covers one way shipping from NZXT back to the end user for exchanges. Two way expedited shipping is provided for all PSUs covered under the Less Than Three program, inclusion of purchase location, provided the location is an approved NZXT reseller.

IV. EXCLUSION OF DAMAGES (DISCLAIMER)
NZXT's sole obligation and liability under this warranty is limited to the repair or replacement of a defective product with either a new or refurbished product with a similar function that is equal or greater in value at our option. NZXT shall not, in any event, be liable for any incidental or consequential damage, including but not limited to damages resulting from interruption of service and loss of data, business, or for liability in tort relating to this product or resulting from its use or possession.

V. LIMITATIONS OF IMPLIED WARRANTIES
There are no other warranties, expressed or implied, including but not limited to those of merchantability or fitness for a particular purpose. The duration of implied warranties is limited to the warranty length specified in Paragraph I.

VI. TO OBTAIN TECHNICAL SUPPORT
If you have already referenced your product owner's manual and still need help, you may contact us by phone at +1 (800) 228-9395, by email at service@nzxt.com, or visit the NZXT Support site at nzxt.com/customer-support.

VII. HOW TO OBTAIN A WARRANTY SERVICE FROM NZXT
To receive a warranty service for your product when purchased directly from NZXT, you must submit a request via the NZXT Support site outlining the problem. If a technician deems the product defective or requiring testing, you will be required to provide a copy of your proof of purchase, which will enable you to submit a Return Merchandise Authorization "RMA" request.

Once approved, you'll receive an RMA number, upon which you will be asked to ship the defective item back to NZXT with the RMA number clearly marked or labelled on the package. NZXT recommends that appropriate measures are taken to safeguard the product from damage during shipping.

VIII. APPLICABLE LAW AND ADDITIONAL LEGAL RIGHTS FOR CONSUMERS
This warranty gives you specific legal rights. These conditions are governed and construed in accordance with the laws of California (with exception of its conflict of law provisions), and the application of the United Nations Convention of Contracts for the International Sale of Goods is expressly excluded. The non-exclusive jurisdiction of the courts of California is agreed, which means that you may bring a claim to enforce your consumer protection rights in connection with this Global Warranty in the country which you have your habitual residence where you may have additional rights. These rights may vary. For original consumers who are covered by consumer protection laws or regulations in their country, state, or province of purchase or, if different, their country, state, or province of residence, the benefits conferred by this warranty are in addition to all rights and remedies conveyed by such consumer protection laws and regulations. To the extent that liability under such consumer laws can be limited, NZXT's liability is limited, and its sole option, to repair or replacement, either new or refurbished, with a similar function that is equal or greater in value depending on supply.

In the United Kingdom:

- For NZXT products sold to customers in the UK, during the expected lifespan of your product your legal rights entitle you to the following:
 - Up to 30 days: If your goods are faulty, then you can get an immediate refund.
 - Up to six months: If your goods can't be repaired or replaced, then you're entitled to a full refund, in most cases.
 - Up to six years: If your goods do not last a reasonable length of time you may be entitled to some money back.
- If the person seeking to rely on the guarantee is not the original consumer, the NZXT Warranty will cover the product in relation to that person provided that they are able to provide proof of the transfer of the guarantee from the original consumer.
- The implied warranties under the Consumer Rights Act 2015 says that your goods must be as described, fit for all purposes for which such goods are usually supplied, and of satisfactory quality.

In the EU:

- If you are a consumer and have your habitual residence in the EU, you additionally enjoy the protection afforded to you by provisions that cannot be derogated from by agreement by virtue of the law where you have your habitual residence.

IX. WARRANTY SERVICE FROM RESELLERS
In the event that a warranty service is sought, you must provide proof of purchase (store receipt or invoice) in order to receive the service and if deemed necessary, repair or replacement product.

In North America:
Within the first 60 days after purchase, please return your product (or for power supplies installed within our enclosures, just the failed power supply) to your dealer or reseller for a replacement. If the product is still within warranty and you can no longer return it to your dealer, please contact NZXT Customer Support (see above) for assistance and instructions. NZXT will not accept returns without prior approval and an RMA number.

In Europe:
Within the first year after purchase, please return your product (or for power supplies installed within our enclosures, just the failed power supply) to your dealer or reseller for a replacement. If the product is still within warranty and you can no longer return it to your dealer, please contact NZXT Customer Support (see above) for assistance and instructions. NZXT will not accept returns without prior approval.

In Australia:
Within the first two years after purchase, please return your product (or for power supplies installed within our enclosures, just the failed power supply) to your dealer or reseller for a replacement. If the product is still within warranty and you can no longer return it to your dealer, please contact NZXT Customer Support (see above) for assistance and instructions. NZXT will not accept returns without prior approval.

Scan the QR code or visit manuals.nzxt.com/h/flowrgb2024 to view or download the full manual.

longer return it to your dealer, please contact NZXT Customer Support (see above) for assistance and instructions. NZXT will not accept returns without prior approval.

The cost of shipping will be borne at the first instance by you; however, if the purchased item is defective, NZXT will reimburse reasonable postage or transportation of costs.

Outside North America, Europe, and Australia:
If your product needs to be returned within the warranty period, please contact the retailer or distributor from whom you purchased the product.

X. NZXT.COM STORE RETURNS/EXCHANGE POLICY
Eligible products using this NZXT Warranty qualify for a full refund or exchange only with an authorized RMA number and if the item is returned to the NZXT.com store inventory within 30 days of purchase. Returns are not allowed beyond 30 days of the purchase date. The NZXT.com Store reserves the right to deny any return or exchange. Refunds will be credited to the original method of payment. To initiate a return, simply submit a request via NZXT support site.

> Visit nzxt.com/warranty and support.nzxt.com for information on warranty coverage and service.
 > Visite el sito nzxt.com/warranty y support.nzxt.com para obtener información sobre la cobertura y el servicio de la garantía.
 > Visitez nzxt.com/warranty et support.nzxt.com pour les informations de la couverture de la garantie et du service.
 > Informationen zu Geltungsbereich und Service der Garantie finden Sie unter support.nzxt.com und nzxt.com/warranty.
 > Visitare il sito nzxt.com/warranty e support.nzxt.com per informazioni sulla copertura e sul servizio della garanzia.
 > Visite nzxt.com/warranty e support.nzxt.com para obter informações sobre a cobertura da garantia e assistência.
 > 제품 보증 범위와 서비스 정보를 확인하시려면 nzxt.com/warranty 또는 support.nzxt.com을 방문하십시오.
 > 保証範囲およびサービスに関する情報は、support.nzxt.com と nzxt.com/warranty にアクセスしてください。
 > 請訪問 nzxt.com/warranty 及 support.nzxt.com 了解產品保固範圍和更多服務訊息。
 > 請訪問 nzxt.com/warranty 及 support.nzxt.com 了解產品保固範圍和更多服務訊息。



Ovaj dokument je originalno proizveden i objavljen od strane proizvođača, brenda NZXT, i preuzet je sa njihove zvanične stranice. S obzirom na ovu činjenicu, Tehnoteka ističe da ne preuzima odgovornost za tačnost, celovitost ili pouzdanost informacija, podataka, mišljenja, saveta ili izjava sadržanih u ovom dokumentu.

Napominjemo da Tehnoteka nema ovlašćenje da izvrši bilo kakve izmene ili dopune na ovom dokumentu, stoga nismo odgovorni za eventualne greške, propuste ili netačnosti koje se mogu naći unutar njega. Tehnoteka ne odgovara za štetu nanесenu korisnicima pri upotrebi netačnih podataka. Ukoliko imate dodatna pitanja o proizvodu, ljubazno vas molimo da kontaktirate direktno proizvođača kako biste dobili sve detaljne informacije.

Za najnovije informacije o ceni, dostupnim akcijama i tehničkim karakteristikama proizvoda koji se pominje u ovom dokumentu, molimo posetite našu stranicu klikom na sledeći link:

<https://tehnoteka.rs/p/nzxt-kuciste-h7-flow-cm-h72fb-01-crno-akcija-cena/>