

## Uputstvo za upotrebu (EN)

ENERGY SISTEM slušalice Style 2 TWS Champagne

ENERGY  SISTEM



Tehnoteka je online destinacija za upoređivanje cena i karakteristika bele tehnike, potrošačke elektronike i IT uređaja kod trgovinskih lanaca i internet prodavnica u Srbiji. Naša stranica vam omogućava da istražite najnovije informacije, detaljne karakteristike i konkurentne cene proizvoda.

Posetite nas i uživajte u ekskluzivnom iskustvu pametne kupovine klikom na link:

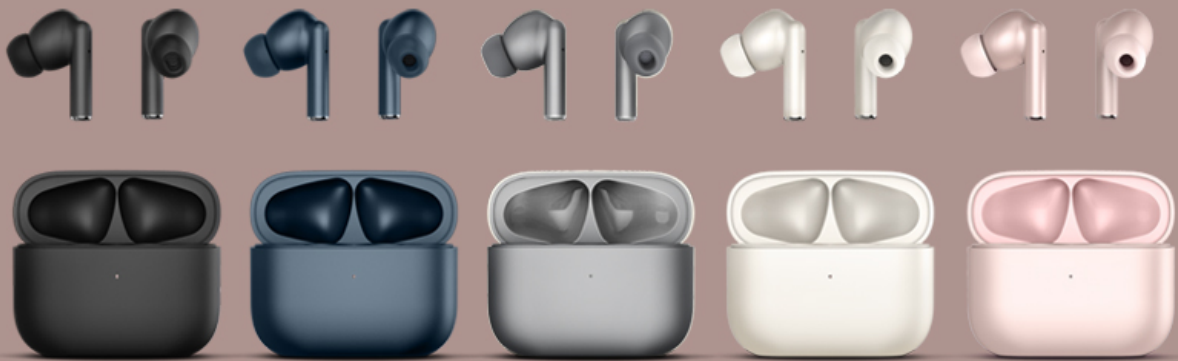
<https://tehnoteka.rs/p/energy-sistem-slusalice-style-2-tws-champagne-akcija-cena/>

## ENGLISH

<b>Introduction</b> .....	4
<b>Care and maintenance</b> .....	4
<b>Warning</b> .....	4
Hearing health .....	4
Safety .....	4
<b>Features</b> .....	5
General features .....	5
Technical specifications .....	5
Audio .....	5
Connectivity .....	5
Microphone .....	5
Battery .....	5
<b>Product content</b> .....	6
<b>General overview</b> .....	6
<b>Getting started</b> .....	7
<b>Switching on and off the device</b> .....	7
<b>Bluetooth® pairing</b> .....	7
<b>Playback control</b> .....	7
<b>Call control</b> .....	7
<b>Using the Voice Assistant feature</b> .....	7
<b>Charging the battery</b> .....	8
<b>Restoring default settings</b> .....	8
<b>Warranty</b> .....	8
Declaration of conformity .....	9



# ENERGY♥SYSTEM



## style2.

Manual de usuario / User manual  
Manual de l'utilisateur / Manual do usuário

## Introduction

---

Thank you for trusting our company and buying the new *Earphones True Wireless Style 2*. We hope you enjoy the product.

## Care and maintenance

---

- Do not expose your *Earphones True Wireless Style 2* to impacts, dust, humidity or high temperatures.
- Do not use neither corrosive nor abrasive cleaning products.
- Do not disassemble the device. All repair works should be carried out exclusively by qualified staff of Energy Sistem Technology, S.A.
- Please make sure your *Earphones True Wireless Style 2* are off when you are not using them. Do not store them with an empty battery for long periods of time.
- You can use a clean wipe with a little hand sanitizer (Hydroalcoholic) to clean smoothly the external surfaces of the Earphones and charging connectors. Do not use these products on the pads or the internal mesh of the earphones. Avoid getting the charging ports and connectors wet. **Note:** after practicing any exercise, it is recommended to dry the earphones well before placing them in their case.

## Warning

---

### Hearing health

Listening to loud music can cause irreversible hearing loss. To avoid hearing damage, we recommend the following guidelines:

- Do not listen to loud music for long periods of time.
- Turn the volume down on the source device before using the headphones, then gradually increase the volume to a safe volume level.

### Safety

For safety reasons and to avoid possible accidents, we recommend the following safety measures:

- Do not use the headphones while driving or carrying out any other activity that requires special attention.
- Keep the product, packaging and accessories out of the reach of children and pets to avoid accidents and choking hazard.

## Features

---

### General features

- True Wireless earphones with 20 hours of battery life thanks to Bluetooth® 5.0. Enjoy the most powerful sound with Deep Bass. With a compact charging case to take them anywhere. Stereo calls. USB Type-C charging connector.

### Technical specifications

#### Audio

- Frequency response: 20 Hz ~ 20 kHz
- Driver diameter: 8 mm
- Maximum power: 5 mW
- In-ear design
- Type: dynamic

#### Connectivity

- Bluetooth® 5.1, class 2
- Frequency band: 2.4 GHz
- Maximum output power: < 20.00 dBm
- Compatible Bluetooth® profiles: HSP / HFP / A2DP / AVRCP
- Up to 20 m distance range
- True Wireless function with auto-pairing
- Hands-free function
- Voice assistant compatible with Google/Siri

#### Microphone

- Type: built-in microphone
- Sensitivity: -42 dB ± 3 dB (@ 1 kHz)
- Frequency range: 10 Hz ~ 10 kHz

#### Battery

##### Earbuds:

- Capacity: 30 mAh (each earbud)
- Type: lithium-polymer battery
- Battery life at medium volume: 5 hours\*
- Charging time: 1.5 hours
- Charging method: charging case

##### Charging case:

- Capacity: 300 mAh
  - Type: lithium-ion battery
  - Extra battery life: 15 hours\*
  - Charging time: 1.5 hours
  - Charging method: USB Type-C
- This value is approximate. The battery life depends on the selected volume level and the type of music.

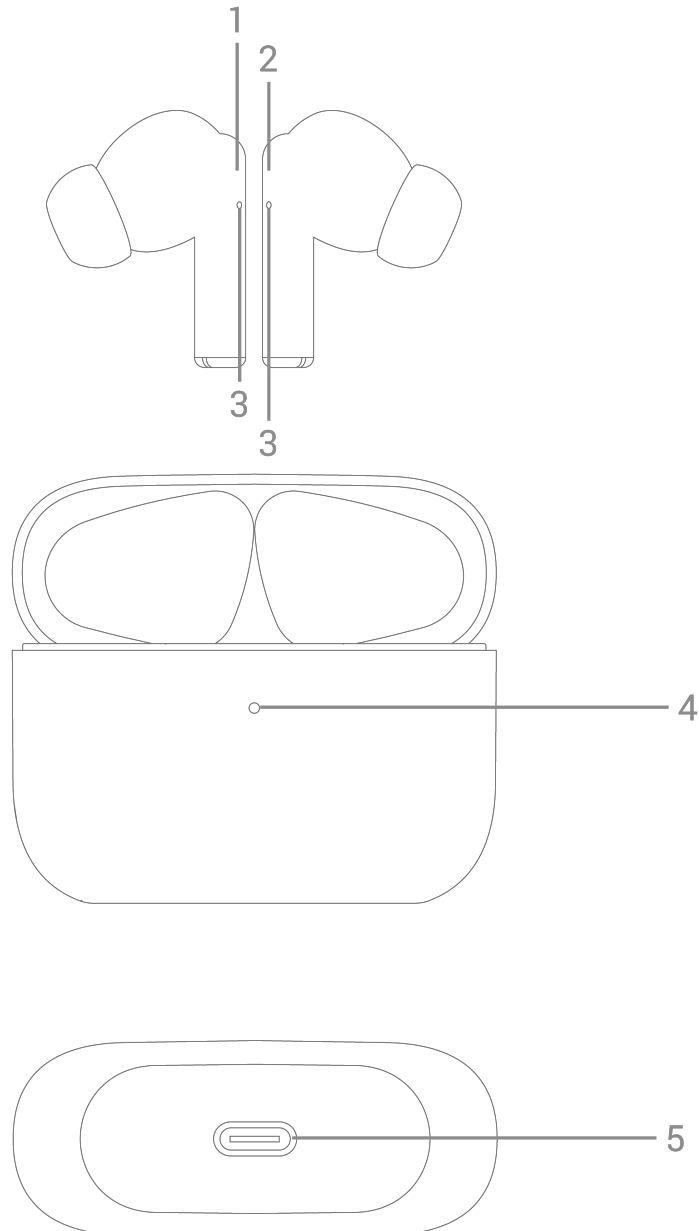
## Product content

---

- Earphones True Wireless Style 2
- Charging case
- USB Type-C cable
- Quick guide

## General overview

---



1. Left multifunction button
2. Right multifunction button
3. LED status indicator
4. Charging indicator (charging case)
5. USB Type-C charging port

## Getting started

---

Before using the earphones for the first time, remove the blue stickers covering the pins of both earbuds' charging ports. Put them in the charging case to start the charging process.

## Switching on and off the device

---

To switch on your *Earphones True Wireless Style 2*, simply take them out of the charging case or tap and hold the *Left and Right multifunction buttons (1 and 2)* for 2 seconds. You will hear a confirmation sound and both earbuds will sync automatically.

To switch off your *Earphones True Wireless Style 2*, put them back in the charging case or tap and hold the *Left and Right multifunction buttons (1 and 2)* for 5 seconds.

## Bluetooth® pairing

---

Switch on your *Earphones True Wireless Style 2*. Both earbuds will sync automatically. Select *Earphones True Wireless Style 2* from the list of Bluetooth® devices on your smartphone or Bluetooth® music player and press "connect". Both earbuds will be connected immediately and without codes. You will hear a confirmation sound when both units are paired.

If you previously paired the earbuds with a device, there is no need to repeat the pairing process. Just enable Bluetooth® on your music player and switch on your *Earphones True Wireless Style 2*. They will sync with it automatically.

## Playback control

---

Play/Pause

Double tap the *Left or Right multifunction button (1 and 2)* to resume playback or pause the music.

Volume +/ Volume

Tap the *Left or Right multifunction button (1 and 2)* to turn the volume up or down.

Skipping to the next or previous track

Tap and hold the *Left or Right multifunction button (1 and 2)* for 2 seconds to skip to the next or previous track during music playback.

## Call control

---

Once the *Earphones True Wireless Style 2* and your smartphone are paired, you can control calls from the earphones.

Answering/Ending a call

To answer an incoming call, tap the *Left or Right multifunction button (1 and 2)* once. Double tap the same button to hang up.

## Using the Voice Assistant feature

---

You can interact with your smartphone voice assistant using your *Earphones True Wireless Style 2*. To do so, tap the *Left multifunction button (1)* three times in a row. You can give the voice command after hearing the confirmation sound.



## Charging the battery

---

### Earphones

When the battery level of your *Earphones True Wireless Style 2* is below 2%, you will hear a low battery warning sound. To charge the earphones battery, put the earbuds back in the charging case. The charging case *LED status indicator (4)* lights up white and switches off once the charging process is complete.

### Charging case

When the battery level of the charging case is below 10%, the LED of the Charging indicator (charging case) (4) starts flashing in red color. Plug the USB Type-C end of the provided cable into the USB Type-C charging port (5), and the other end into a 5 V USB charging device. The LED of the Charging indicator (charging case) (4) light up in red color as the battery charges. Once the charging process is complete, the LED indicator light up in white color.

**Important:** We recommend not leaving neither your *Earphones True Wireless Style 2* nor your charging case unused for long periods of time with an empty battery. We advise charging the battery at least once a month.

**Caution:** Do not charge your headphones with fast charging adapters or dedicated laptop charging adapters, Because their output voltage exceeds 5V and the device may become unusable.

## Restoring default settings

---

To restore the device to its default settings, follow the steps below:

- 1- Switch on the earbuds and tap either earbud six times in a row.
- 2- The earbuds will switch off. At this point you will have to repeat the *Bluetooth® pairing* process.
- 3- Before repeating the *Bluetooth® pairing* process, remove the previously paired device from the Bluetooth® list on your smartphone.

## Warranty

---

You can check the warranty terms here:

<https://www.energysistem.com/terms-warranty>

Declaration of conformity

Issuer's name: Energy Sistem Technology, S.A. - CIF: A53107488

Address: C/ Calpe, 1 - 03509 Finestrat, Alicante (Spain)

Tel: +34 966 830 324

We declare under our sole and exclusive responsibility that the product:

Description: wireless earphones

Brand: Energy Sistem

Model: Earphones True Wireless Style 2

Manufacturer: Energy Sistem Technology, S.A.

Manufacturing country: China

referred to in this declaration complies with the essential norms and standards:

- EN 55032:2015+A11:2020+A1:2020
- EN 55035:2017+A11:2020
- EN IEC 61000-3-2:2019
- EN 61000-3-3:2013+A1:2019
- EN 60663:2017
- EN IEC 62368-1:2020+A11:2020
- ETSI EN 301 489-1 v2.2.3 (2019-11)
- ETSI EN 301 489-17 v3.2.4 (2020-09)
- ETSI EN 300 328 v2.2.2 (2019-07)

in conformity with the provisions of the Directive 2014/30/EU of the European Parliament and of the Council of 29th March 2014.

Finestrat, 1st October 2021



Miguel Ángel Aragüez García

Innovation and Technology Director



Ovaj dokument je originalno proizveden i objavljen od strane proizvođača, brenda Energy Sistem, i preuzet je sa njihove zvanične stranice. S obzirom na ovu činjenicu, Tehnoteka ističe da ne preuzima odgovornost za tačnost, celovitost ili pouzdanost informacija, podataka, mišljenja, saveta ili izjava sadržanih u ovom dokumentu.

Napominjemo da Tehnoteka nema ovlašćenje da izvrši bilo kakve izmene ili dopune na ovom dokumentu, stoga nismo odgovorni za eventualne greške, propuste ili netačnosti koje se mogu naći unutar njega. Tehnoteka ne odgovara za štetu nanесenu korisnicima pri upotrebi netačnih podataka. Ukoliko imate dodatna pitanja o proizvodu, ljubazno vas molimo da kontaktirate direktno proizvođača kako biste dobili sve detaljne informacije.

Za najnovije informacije o ceni, dostupnim akcijama i tehničkim karakteristikama proizvoda koji se pominje u ovom dokumentu, molimo posetite našu stranicu klikom na sledeći link:

<https://tehnoteka.rs/p/energy-sistem-slusalice-style-2-tws-champagne-akcija-cena/>