

Uputstvo za upotrebu (EN)

COUGAR slušalice VM410 Classic



Tehnoteka je online destinacija za upoređivanje cena i karakteristika bele tehnike, potrošačke elektronike i IT uređaja kod trgovinskih lanaca i internet prodavnica u Srbiji. Naša stranica vam omogućava da istražite najnovije informacije, detaljne karakteristike i konkurentne cene proizvoda.

Posetite nas i uživajte u ekskluzivnom iskustvu pametne kupovine klikom na link:

<https://tehnoteka.rs/p/cougar-slusalice-vm410-classic-akcija-cena/>

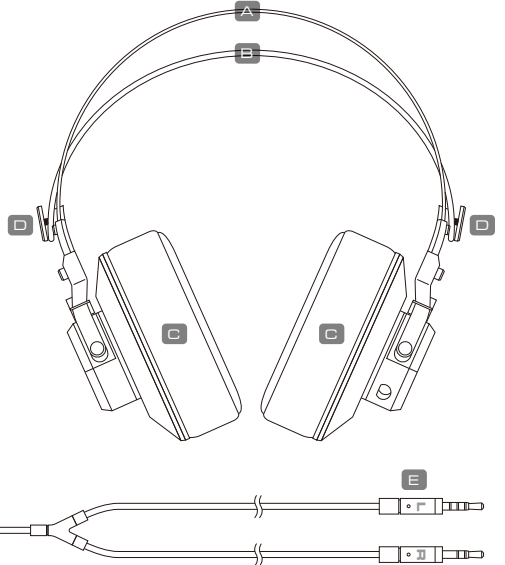
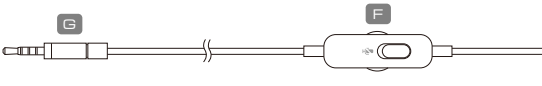
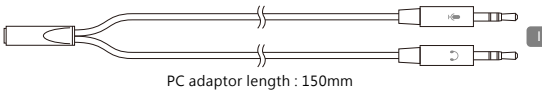
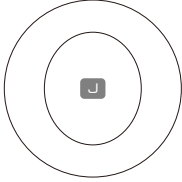
REAL GEAR FOR REAL GAMERS
www.cougargaming.com



VM410

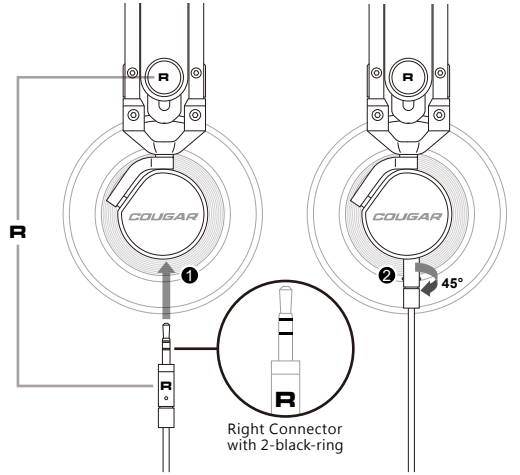
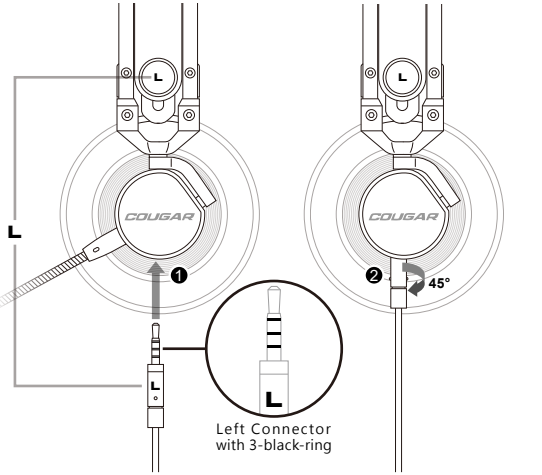
PRODUCT PARTS AND PACKAGE CONTENTS

- A** Ultra-light suspended headband support structure
- B** Ultra lightweight leatherlike headband
- C** Pressure-free memory foam earpads
- D** Adjustable headband structure
- E** R/L connectors for headset
- F** Volume and microphone mute control unit
- G** 4-Pole 3.5mm phone jack
- H** Detachable Microphone + Antio-pop Cover
- I** Audio & Mic Splitter
- J** Interchangeable Ear Pads

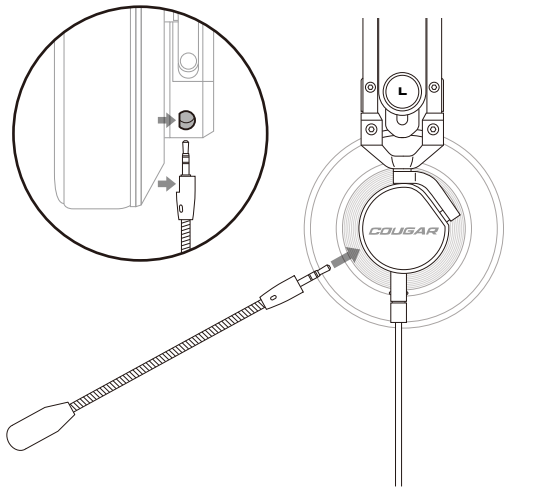


INSTRUCTIONS

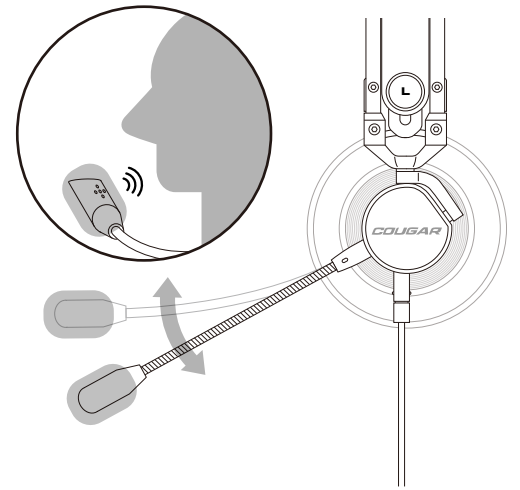
A How to connect the headset and cord



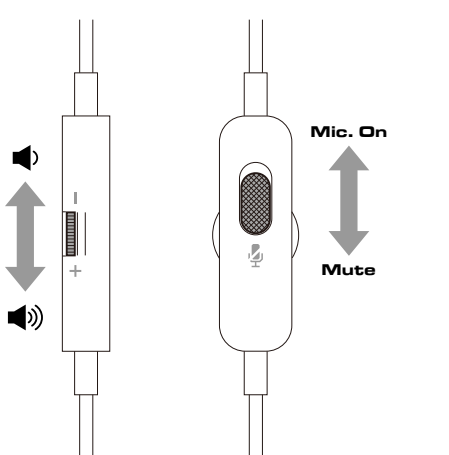
B How to install the microphone



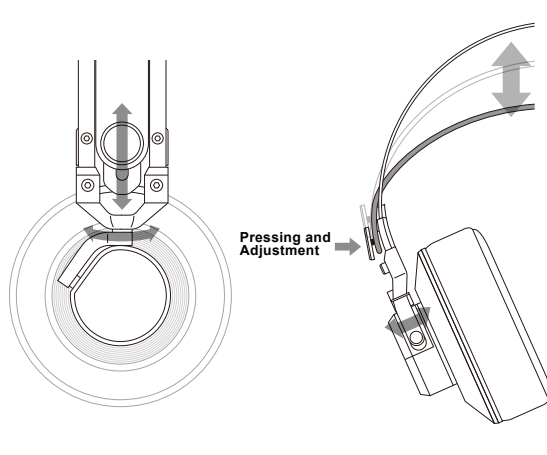
C How to adjust the microphone



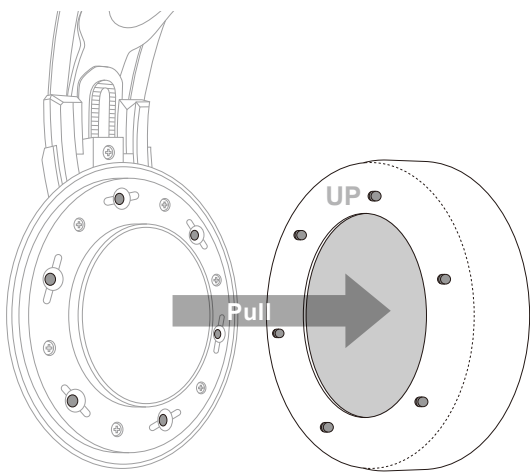
D How to adjust the control unit



E Multiple wearing adaptation

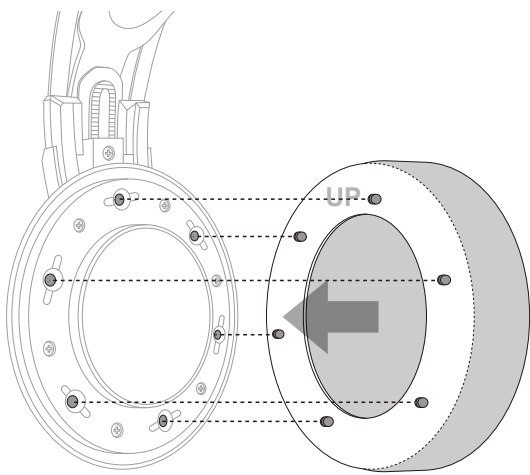


F Interchangeable Ear Pads
Detach the Ear Pads



Assemble the Ear Pads

1. Position "UP" toward the headset
2. Match each "pins" and holes
3. Press the ear pad until you hear the clicking sounds



CAUTION



When stretching the headphones before placing them in your head, please pay attention to avoid stretching them beyond their physical limits to avoid damaging the product.

FEATURES

- ENGLISH**
- 270g Ultra Lightweight Suspended Leatherlike Headband Design
 - 53mm Graphene Diaphragm Drivers: Pro-level Sound Quality
 - Perfect Clarity: 9.7mm Noise Cancellation Microphone
 - 4 Pole to 3 Pole Adapter for Extra Compatibility
 - Convenience: Volume Control and Microphone Switch Control
 - Reduce Crosstalk Signal Transmission
 - Integrated Chamber and Frequency Enhancement Design

- DEUTSCH**
- 270-g extrem leichtes aufgehängtes lederartiges Bügeldesign
 - 53-mm-Treiber mit Graphen-Membranen: Klang in Studioqualität
 - Perfekte Klarheit: 9.7-mm Mikrofon mit Rauschunterdrückung
 - 4-Pol-zu-3-Pol-Adapter für zusätzliche Kompatibilität
 - Bequemlichkeit: Lautstärkeregler und Mikrofonsteuerung

- ESPAÑOL**
- 270g diseño Ultraligero con Diadema Suspendida y Banda deCuero Sintético
 - Controladores de diafragma de grafeno de 53mm:Calidad de sonido de nivel profesional
 - Total Claridad: 9.7mm Micrófono con Cancelación deRuido
 - Adaptador de 4 Polos a 3 Polos para Mayor Compatibilidad
 - Conveniencia Total: Control de Volumen y deSilencio
 - de Micrófono

- РУССКИЙ**
- 270-г Ультралегкий кожаный дизайн
 - 53-мм драйверы графеновой диафрагмы:качество звука профессионального уровня
 - Чистый звук: 9.7-мм микрофон с технологиейшумоподавления
 - 3x-4x-полосный адаптер для дополнительной совместности
 - Удобство: регулятор громкости ипереключатель микрофона

- PORTUGUÊS**
- 270g design de Alça de Cabedal Suspenso Ultra Leve
 - Driver de Diafragma de Grafeno com 53mm: Qualidade de som denível Profissional
 - Claridade Perfeita: 9.7mm Microfone com Cancelamentode Ruído
 - Adaptador de 4 Pólos para 3 Pólos para Compatibilidade Extra
 - Conveniência: Controle de Volume e Controle deTroca de Microfone

- FRANÇAIS**
- 270 g arceau suspendu ultra léger imitation cuir
 - Haut-parleurs à diaphragme en graphène 53 mm: Qualité sonore de niveau professionnel
 - Clarté parfaite: 9.7mm Micro à annulation de bruit
 - Adaptateur 4 pôles vers 3 pôles pour une com patibilitésupplémentaire
 - Commodité: Contrôle du volume et commutateurde micro

- POLISH**
- 270 g ultralekki patał pokryty eskokorą
 - Przetworniki z membraną grafenową 53 mm: Profesjonalna jakość dźwięku
 - Idealna czystość dźwięku: 9.7mm mikrofon do eliminacjiszumy
 - Przejściówka 4-biegunowa do 3-biegunowej zapewniazgodność
 - Wygoda: regulacja głośności i przełącznikmikrofonu

- ITALIANO**
- Design della fascia in simipelle sospeso ultraleggero da 270 g
 - Driver con membrana in grafene da 53 mm: Qualità audio a livello professionale
 - Chiarezza perfetta: 9.7mm Microfono cancella- rumore
 - Adattatore da 4 a 3 poli per una maggiore compatibilità
 - Convenienza: Controllo del volume e controlloattivazione microfono

HUNGARIAN

- 270 g rendkívül könnyű, felfüggesztett, bőr hatású fejpánt
- 53 mm-es grafén membrános hangszórók: Profeszionális hangminőség
- Tökéletes hangtisztaság: 9.7mm Zajsűző mikrofon
- 4 és 3 pólusú adapter a fokozott kompatibilitáshoz
- Kényelem: Hangerő-szabályozás és mikrofonváltóvezérlő

日本語

- 270g超軽量目つ革のような素材を使用したサスペンドヘッドバンドデザイン
- 高品位の53mmグラフェンドライバーを採用し、高音質サウンドを実現しました。
- 音をクリアに伝える9.7mmノイズキャンセリングマイクを搭載
- マルチプラットフォーム対応：4極→3極変換アダプタ付きの3.5mmコネクタ
- マイクのミュートとボリューム調節機能付き

한국어

- 270g 초경량 가죽 헤드밴드 디자인
- 53mm 그래핀 진동판 드라이버: 프로레벨 사운드 품질
- 완벽한 선명도: 9.7mm 잡음 제거 마이크
- 호환성을 높인 4 극 - 3 극 어댑터
- 편리성: 볼륨 제어 및 마이크 스위치 제어

中文

- 270g 超轻量悬吊式仿皮革头带设计
- 53mm 石墨烯振膜单体喇叭:专业级音效质量
- 音质完美清晰: 9.7mm降噪电容式麦克风音头
- 四转三极3.5厘米转接头提升兼容性
- 便利性佳: 调整音量与切换麦克风功能

SPECIFICATIONS

HEADPHONES	
Drivers	53mm
Max. Input Power	100mw
Sensitivity at 1kHz	113dB ± 3dB
Impedance at 1kHz	32Ω±15%
Frequency response	20Hz - 20KHz
MICROPHONE	
Driver	9.7mm
Mic Type	Noise Cancellation
Mic. Sensitivity at 1kHz	-113dB±3%
Mic. Frequency Response	20Hz - 20KHz
Mic. Impedance	<2.2KΩ

The above specifications may vary by country or region

PACKAGE CONTAINS

VM410 Gaming Headset	Interchangeable Ear Pads
Detachable Mic. + Antio-pop Cover	User Manual
Audio & Mic Splitter	Detachable Cord and Volume Control Unit

HARDWARE REQUIREMENTS

- Single 4-pole Jack Devices
- Dual 3-pole Jack Devices (for usage with the audio/mic)
- Audio + Microphone: Separate 3.5 mm audio and microphone jacks

GLOBAL WARRANTY POLICY

WARRANTY PERIODS OF COUGAR GAMING DEVICES

Product : COUGAR VM410 gaming headset
Warranty : 1 Year
This warranty gives you specific legal rights. You may also have other rights granted under local law. These rights may vary.

WARRANTY AGREEMENT

- If the product has defects in material or manufacture, COUGAR will provide product repair and replacement service within the warranty period.
- Our warranty service is based on the date of the invoice or warranty card (must be affixed with the store stamp).
- If you lose the aforementioned evidence, we will apply the original shipping date of the product as the beginning date of warranty period. The shipping date will be identified by the product serial number(S/N).

CONDITIONS WHERE FREE MAINTENANCE IS NOT PROVIDED

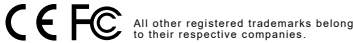
- Any fault or damage caused by natural disasters (including storm, fire, flood, thunder, earthquake, etc).
- Any fault or damage caused by accidental factors and man-made reasons (including hit, scrape, crash, moving, compression, stain, corrosion, use of incurred on unsuitable voltage, computer virus, riot, misuse, malicious damage, etc).
- Use in an improper operating environment (including high temperature, high humidity, water inflow, etc).
- Inability to provide the product warranty card, purchase receipt or invoice to prove the product is still within the warranty period and the shipping date of the product is out of warranty.
- The warranty card or product serial number has been altered or its number is hard to identify.
- The warranty period has expired.
- Any fault or damage caused by non-compliance with regulations stated on the user manual or improper, rough and careless treatment.
- Any fault or damage caused by use of parts not certified by COUGAR original manufacturer.
- The problem is caused by improper repair or adjustment by the buyer or any manufacturer without authorization from COUGAR.
- The product is not acquired from an authorized distributor of the company or is acquired from illicit sources.
- Paper carton, instruction and other accessories are not warranted.

DISCLAIMERS

- COUGAR does not authorize or endorse the user of COUGAR products as a part of, together with, or connected to, life support devices, medical equipment in general, military equipment, traffic or transportation-related equipment or disaster prevention systems.
- COUGAR is not liable for any damage, expense, loss, cost, injury or any other result derived from the use of COUGAR products not specifically for PC gaming in the compatible operative systems indicated by COUGAR.
- COUGAR is not liable for any damage, expense, loss, cost, injury or any other result due to use of COUGAR products not in strict accordance with the instructions provided by COUGAR in the instruction manual.
- Software, instruction manuals, consumables (for example mouse pads, mouse feet, etc.), boxes or other external packaging are not covered by the warranty.
- For inquiries about the warranty, please contact us at service@cougargaming.com

LEGAL NOTICES

This manual was created by Compucase Enterprise and may not be completely or partially copied, passed on, distributed or stored without written consent by Compucase Enterprise.
COUGAR® is a registered brand of Compucase Enterprise Other product and company names mentioned in this documentation may be brands or trademarks of their respective owners.
Compucase Enterprise reserves the right to make changes concerning the contents of the manual and the technical data of the product without previous announcement.



MANUFACTURER CONTACT

Compucase Enterprise Co.,Ltd.
No. 225, Lane 54, An Ho Road Sec. 2 Tainan, Taiwan, R.O.C
Tel:+886-6-356-0606
Service E-Mail: service@cougargaming.com

More information you will find at cougargaming.com
Compucase Enterprise Co.,Ltd.
All rights reserved.
Made in China

Warning! In order to avoid permanent hearing damage, please always use your headset at safe volume levels. Exposure to high sound levels for extended periods of time may cause permanent hearing damage and even loss.

تحذير! لتجنب الأذى السمع، يرجى التزم بالوضعية الصحية والمرتبة عند استعمال السماعة. تجنب التردد من توصيل كافة التوصيلات بالشكل الصحيح. لاحظ الجهاز بعدد من مصادر المياه والرطوبة. أفضل التأثير الكهربائي فورا في حالة الانتباه بوجود الماء. يمكنك بأن مصدر الطاقة ليك مناسب لما يحتاجه هذا الجهاز.

Дата изготовления продукции
год и месяц изготовления продукции указаны в серийном номере продукта. (существует 2 способа определения даты изготовления, оба способа описаны ниже)

A После S/N: первые две цифры означают год, вторые две – месяц изготовления.
Например, S/N: H1702000001 означает, что товар был произведен в феврале 2017 года.

B После S/N: если указаны буквы, то две буквы представляют цифры из таблицы ниже, и означают год, последующие две цифры – месяц изготовления.
Например, S/N: DAG02REV100001 означает, что товар был произведен в феврале 2017 года.

A	B	C	D	E	F	G	H	I	J
1	2	3	4	5	6	7	8	9	0

• Например, AG = 17 = 2017 год

Ovaj dokument je originalno proizveden i objavljen od strane proizvođača, brenda Cougar, i preuzet je sa njihove zvanične stranice. S obzirom na ovu činjenicu, Tehnoteka ističe da ne preuzima odgovornost za tačnost, celovitost ili pouzdanost informacija, podataka, mišljenja, saveta ili izjava sadržanih u ovom dokumentu.

Napominjemo da Tehnoteka nema ovlašćenje da izvrši bilo kakve izmene ili dopune na ovom dokumentu, stoga nismo odgovorni za eventualne greške, propuste ili netačnosti koje se mogu naći unutar njega. Tehnoteka ne odgovara za štetu nanесenu korisnicima pri upotrebi netačnih podataka. Ukoliko imate dodatna pitanja o proizvodu, ljubazno vas molimo da kontaktirate direktno proizvođača kako biste dobili sve detaljne informacije.

Za najnovije informacije o ceni, dostupnim akcijama i tehničkim karakteristikama proizvoda koji se pominje u ovom dokumentu, molimo posetite našu stranicu klikom na sledeći link:

<https://tehnoteka.rs/p/cougar-slusalice-vm410-classic-akcija-cena/>