

## Uputstvo za upotrebu i montažu

STIEBEL ELTRON protočni bojler EIL 6 Trend

**STIEBEL ELTRON**



Tehnoteka je online destinacija za upoređivanje cena i karakteristika bele tehnike, potrošačke elektronike i IT uređaja kod trgovinskih lanaca i internet prodavnica u Srbiji. Naša stranica vam omogućava da istražite najnovije informacije, detaljne karakteristike i konkurentne cene proizvoda.

Posetite nas i uživajte u ekskluzivnom iskustvu pametne kupovine klikom na link:

<https://tehnoteka.rs/p/stiebel-eltron-protocni-bojler-eil-6-trend-akcija-cena/>

OPERATION AND INSTALLATION  
UTILISATION ET INSTALLATION  
BEDIENING EN INSTALLATIE  
OBSLUHA A INSTALACE  
OBSLUHA A INŠTALÁCIA  
OBSŁUGA I INSTALACJA  
KEZELÉS ÉS FELSZERELÉS  
OPERARE ŞI INSTALARE  
RUKOVANJE I INSTALACIJA

Hydraulically controlled mini instantaneous water heater | Mini chauffe-eau instantané à gestion hydraulique | Hydraulisch gestuurde mini-doorstomer | Hydraulicky řízený průtokový mini ohříváč | Hydraulicky riadený mini prietokový ohrievač | Hydraulicznie sterowany mini przepływowy ogrzewacz wody | Hidraulikus szabályozású, átfolyó üzemű kisméretű vízmelegítő | Mini-încălzitor instant controlat hidraulic | Hidraulički upravljani mali protočni grijač

- » EIL 3 Trend
- » EIL 4 Trend
- » EIL 6 Trend

**STIEBEL ELTRON**

# CONTENTS

## SPECIAL INFORMATION

### OPERATION

<b>1. General information</b>	<b>4</b>
1.1 Safety instructions	4
1.2 Other symbols in this documentation	5
1.3 Units of measurement	5
<b>2. Safety</b>	<b>6</b>
2.1 Intended use	6
2.2 General safety instructions	6
2.3 Test symbols	7
<b>3. Appliance description</b>	<b>7</b>
<b>4. Settings</b>	<b>7</b>
<b>5. Cleaning, care and maintenance</b>	<b>8</b>
<b>6. Troubleshooting</b>	<b>8</b>

### INSTALLATION

<b>7. Safety</b>	<b>9</b>
7.1 General safety instructions	9
7.2 Instructions, standards and regulations	9
<b>8. Appliance description</b>	<b>9</b>
8.1 Standard delivery	9
8.2 Accessories	10
<b>9. Preparation</b>	<b>10</b>
<b>10. Installation</b>	<b>10</b>
10.1 Installation site	10
10.2 Installation options	11

10.3 Making the electrical connection	13
<b>11. Commissioning</b>	<b>14</b>
11.1 Initial start-up	14
11.2 Appliance handover	14
11.3 Recommissioning	14
<b>12. Appliance shutdown</b>	<b>15</b>
<b>13. Troubleshooting</b>	<b>15</b>
<b>14. Maintenance</b>	<b>15</b>
14.1 Draining the appliance	15
14.2 Clean strainer	16
14.3 Tests in accordance with VDE 0701/0702	16
14.4 Appliance storage	16
14.5 Replacing the power cable for the EIL 6 Trend	16
<b>15. Specification</b>	<b>17</b>
15.1 Dimensions and connections	17
15.2 Wiring diagram	17
15.3 Temperature increase	18
15.4 Application areas	18
15.5 Energy consumption data	19
15.6 Data table	19

## GUARANTEE

## ENVIRONMENT AND RECYCLING

## SPECIAL INFORMATION

- The appliance may be used by children aged 3 and older and persons with reduced physical, sensory or mental capabilities or a lack of experience and know-how, provided that they are supervised or they have been instructed on how to use the appliance safely and have understood the potential risks. Children must never play with the appliance. Cleaning and user maintenance must not be carried out by children without supervision.
- During operation, the tap can reach temperatures in excess of 50 °C. There is a risk of scalding at outlet temperatures in excess of 43 °C.
- The appliance is not suitable for supplying a shower (shower operation).
- Ensure the appliance can be separated from the power supply by an isolator that disconnects all poles with at least 3 mm contact separation.
- The specified voltage must match the mains voltage.
- The appliance must be permanently connected to fixed wiring, exception EIL 3 Trend.
- The power cable must only be replaced (for example if damaged) by a qualified contractor authorised by the manufacturer, using an original spare part.
- Secure the appliance as described in chapter "Installation / Installation".
- Observe the maximum permissible pressure (see chapter "Specification / Data table").

### General information

---

- The specific water resistivity of the mains water supply must not be undershot (see chapter "Installation / Specification / Data table").
- Drain the appliance as described in chapter "Installation / Maintenance / Draining the appliance".

## OPERATION

### 1. General information

The chapters "Special information" and "Operation" are intended for both users and qualified contractors.

The chapter "Installation" is intended for qualified contractors.



#### Note

Read these instructions carefully before using the appliance and retain them for future reference.

Pass on the instructions to a new user if required.

---

### 1.1 Safety instructions

#### 1.1.1 Structure of safety instructions






#### KEYWORD Type of risk

Here, possible consequences are listed that may result from failure to observe the safety instructions.

► Steps to prevent the risk are listed.

## 1.1.2 Symbols, type of risk

Symbol	Type of risk
	Injury
	Electrocution
	Burns (burns, scalding)

## 1.1.3 Keywords



KEYWORD	Meaning
DANGER	Failure to observe this information will result in serious injury or death.
WARNING	Failure to observe this information may result in serious injury or death.
CAUTION	Failure to observe this information may result in non-serious or minor injury.

## 1.2 Other symbols in this documentation

**Note**

Notes are bordered by horizontal lines above and below the text. General information is identified by the adjacent symbol.

► Read these texts carefully.

Symbol	Meaning
	Material losses (appliance damage, consequential losses and environmental pollution)
	Appliance disposal

► This symbol indicates that you have to do something. The action you need to take is described step by step.

## 1.3 Units of measurement

**Note**

Unless specified otherwise, all dimensions are given in mm.

## 2. Safety

### 2.1 Intended use

This appliance is designed to heat DHW. The appliance is designed for one hand washbasin.

The appliance is intended for domestic use. It can be used safely by untrained persons. The appliance can also be used in non-domestic environments, e.g. in small businesses, as long as it is used in the same way.

Any other use beyond that described shall be deemed inappropriate. Observation of these instructions and of the instructions for any accessories used is also part of the correct use of this appliance.

### 2.2 General safety instructions



#### **DANGER Scalding**

During operation, the tap can reach temperatures in excess of 50 °C. There is a risk of scalding at outlet temperatures in excess of 43 °C.



#### **WARNING Injury**

The appliance may be used by children aged 3 and older and persons with reduced physical, sensory or mental capabilities or a lack of experience and know-how, provided that they are supervised or they have been instructed on how to use the appliance safely and have understood the potential risks. Children must never play with the appliance. Cleaning and user maintenance must not be carried out by children without supervision.



#### **DANGER Electrocution**

Any damaged power cables must be replaced by a qualified electrician. This prevents potential hazards from arising.



#### **Material losses**

Protect the appliance and tap against frost.

---

**Material losses**

Ensure that the non-pressurised appliance is not exposed to any pressure as this could cause irreparable damage:

- ▶ Only use the special aerator provided.
- ▶ Never use aerators or hoses with aerators.
- ▶ Never seal the tap outlets.
- ▶ Prevent scale build-up at the tap outlets (see chapter "Cleaning, care and maintenance").

---

**2.3 Test symbols**

See type plate on the appliance.

**3. Appliance description**

The hydraulically controlled, non-pressurised mini instantaneous water heater heats the water directly at the draw-off point. The heating system starts automatically when the tap is opened. The short pipe runs ensure that energy and water losses are minimal.

The DHW output depends on the cold water temperature, the heating output and the flow rate.

The bare wire heating system is suitable for hard and soft water areas. This heating system has a low susceptibility to scale build-up. The heating system ensures quick and efficient DHW provision at the hand washbasin.

Fitting the special aerator supplied provides an optimum water jet.

**4. Settings**

The appliance heating system switches on automatically as soon as you open the DHW valve at the tap or activate the sensor of a sensor tap. The water is heated. The water temperature can be adjusted at the tap:

For the starting flow rate, see chapter "Specification / Data table / On".

**Increasing the temperature**

- ▶ Reduce the flow rate at the tap.

**Reducing the temperature**

- ▶ Open the tap further or add more cold water.

**Following an interruption to the water supply**

See chapter "Commissioning / Recommissioning".



### 5. Cleaning, care and maintenance

- ▶ Never use abrasive or corrosive cleaning agents. A damp cloth is sufficient for cleaning the appliance.



#### Material losses

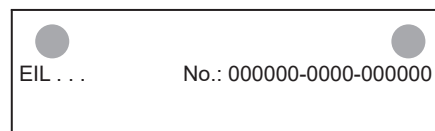
Scale build-up at the tap outlets can put the appliance under pressure and may cause irreparable damage.

- ▶ Check the taps regularly. Limescale deposits at the tap outlets can be removed using commercially available descaling agents.
- ▶ Have the electrical safety of the appliance regularly checked by a qualified contractor.
- ▶ Regularly descale or replace the special aerator (see chapter "Appliance description / Accessories").

### 6. Troubleshooting

Problem	Cause	Remedy
The appliance will not start despite the DHW valve being fully open.	No power at the appliance.	Check the fuse/MCB in your fuse box/distribution board.
	The aerator in the tap is scaled up or dirty.	Clean and/or descale the aerator or replace the special aerator.
	The water supply has been interrupted.	Vent the appliance and the cold water inlet line (see chapter "Commissioning / Recommissioning").

If you cannot remedy the fault, notify your qualified contractor. To facilitate and speed up your request, provide the number from the type plate (000000-0000-00000).



# INSTALLATION

## 7. Safety

Only a qualified contractor should carry out installation, commissioning, maintenance and repair of the appliance.

### 7.1 General safety instructions

We guarantee trouble-free function and operational reliability only if original accessories and spare parts intended for the appliance are used.



#### Material losses

Observe the max. permissible inlet temperature. Higher temperatures may damage the appliance. You can limit the inlet temperature by installing a central thermostatic valve.



#### Material losses

Only operate the appliance with non-pressurised taps.

## 7.2 Instructions, standards and regulations



#### Note

Observe all applicable national and regional regulations and instructions.

The specific electrical resistance of the water used must not fall below that stated on the type plate. In a linked water network, factor in the lowest electrical resistance of the water (see chapter "Specification / Data table"). Your water supply utility will advise you of the electrical resistivity or conductivity of the water in your area.

## 8. Appliance description

### 8.1 Standard delivery

The following are delivered with the appliance:

- Sieve inside the cold water inlet
- Special aerator
- Company logo for oversink installation

---

# INSTALLATION

## Preparation

---

### 8.2 Accessories

#### Special aerator

**Note**

Fitting the special aerator supplied provides an optimum water jet.

---

#### Non-pressurised taps

- MAW (OT) Wall mounted tap for oversink installation
- MAZ (UT) Twin lever basin tap
- MAE-W (UTE) Mono lever basin tap

## 9. Preparation

- ▶ Flush the water line thoroughly.

#### Water installation

No safety valve is required.

#### Taps/valves

- ▶ Use suitable taps (see chapter "Appliance description / Accessories").

## 10. Installation

### 10.1 Installation site

Install the appliance in a room free from the risk of frost and near the draw-off tap.

Ensure that the lateral fixing screws for the cover are always accessible.

The appliance is suitable for undersink installation (water connections at the top) and oversink installation (water connections at the bottom).

**DANGER Electrocutation**

Protection rating IP 25 is only ensured if the appliance back panel is fitted.

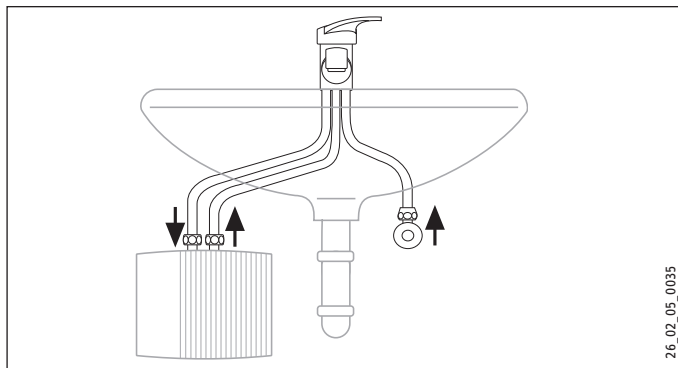
- ▶ Always fit the appliance back panel.

# INSTALLATION

## Installation

### 10.2 Installation options

#### 10.2.1 Undersink installation, non-pressurised, with non-pressurised tap



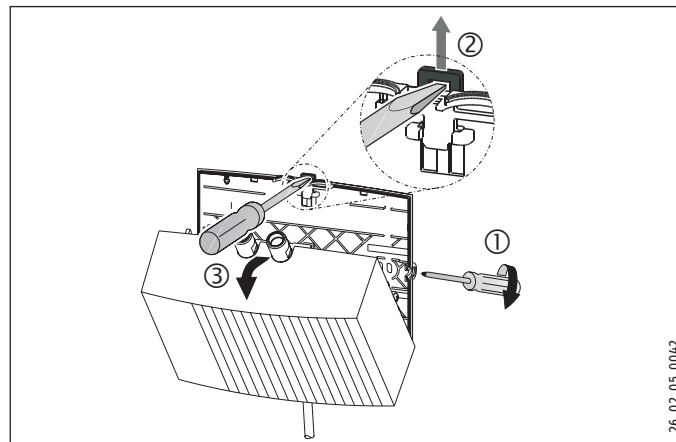
#### 10.2.2 Appliance installation



##### Note

The wall must have sufficient load bearing capacity.

- ▶ Mount the appliance on the wall.

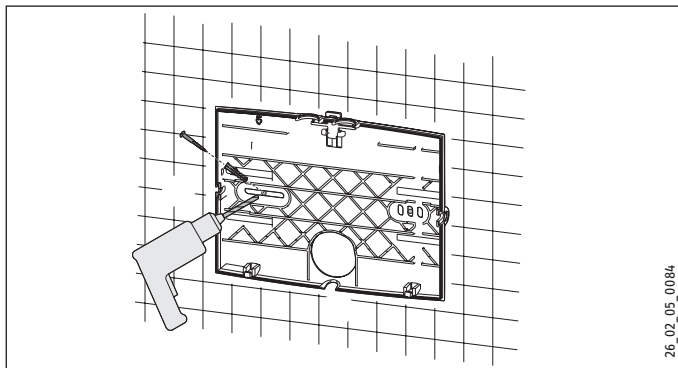


- ▶ Undo the cover fixing screws by two turns.
- ▶ Undo the snap fastener using a screwdriver.
- ▶ Remove the appliance cover with the heater towards the front.

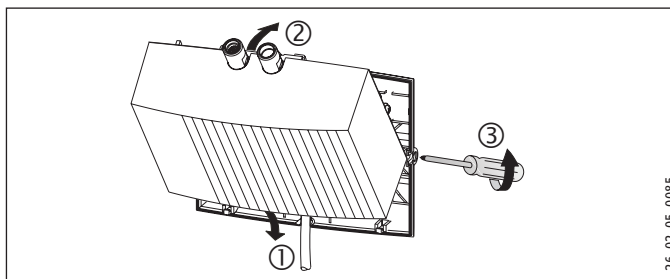
# INSTALLATION

## Installation

- ▶ Using pliers, break out the knock-out for the power cable in the appliance cover. Correct the contours with a file if necessary.



- ▶ Use the appliance back panel as a drilling template.
- ▶ Secure the appliance back panel to the wall with suitable rawl plugs and screws.



- ▶ Route the power cable through the cable entry in the back panel.
- ▶ Hook in the appliance cover with the heater at the bottom.
- ▶ Click the heater into place using the snap fastener.
- ▶ Secure the appliance cover with the cover fixing screws.

### Tap installation



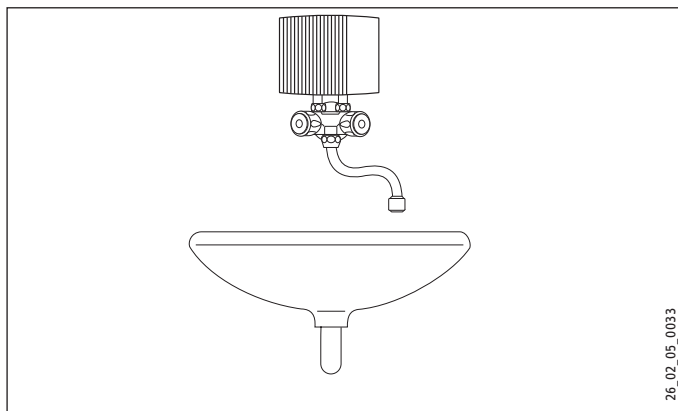
#### Material losses

- ▶ When making the connections, counter the torque on the appliance using a size 14 spanner.
- ▶ Install the tap. For this, also observe the tap operating and installation instructions.

# INSTALLATION

## Installation

### 10.2.3 Oversink installation, non-pressurised, with non-pressurised tap



#### Tap installation



#### Material losses

- ▶ When making the connections, counter the torque on the appliance using a size 14 spanner.
- ▶ Install the tap. For this, also observe the tap operating and installation instructions.

#### Appliance installation

- ▶ Fit the appliance to the tap with the water connections.

### 10.3 Making the electrical connection



#### DANGER Electrocutation

Carry out all electrical connection and installation work in accordance with relevant regulations.



#### DANGER Electrocutation

Ensure that the appliance is earthed. Ensure the appliance can be separated from the power supply by an isolator that disconnects all poles with at least 3 mm contact separation.



#### DANGER Electrocutation

The appliances are delivered with a power cable (EIL 3 Trend with plug). Connection to a permanent power supply is possible, provided the fixed cable has a cross-section that is at least equal to that of the standard power cable of the appliance. A maximum cross-section of 3 x 6 mm<sup>2</sup> may be used.

- ▶ If the appliance is installed over the sink, route the power cable behind the appliance.

# INSTALLATION

## Commissioning



### Material losses

When making the connection to a standard safety socket (in the case of a power cable with plug), ensure that the socket is freely accessible after the appliance has been installed.



### Material losses

Observe the type plate. The specified voltage must match the mains voltage.

- ▶ Connect the power cable as shown in the wiring diagram (see chapter "Specification / Wiring diagram").

## 11. Commissioning

### 11.1 Initial start-up



- ▶ Fill the appliance by running the tap several times until the pipework and appliance are free of air.
- ▶ Carry out a tightness check.

- ▶ Insert the power cable plug, if present, into the standard safety socket or set the fuse/MCB.
- ▶ Check the appliance function.
- ▶ In the case of oversink installation, affix the company logo supplied over the existing company logo.

### 11.2 Appliance handover

- ▶ Explain the appliance function to users and familiarise them with how it works.
- ▶ Make the user aware of potential dangers, especially the risk of scalding.
- ▶ Hand over these instructions.

### 11.3 Recommissioning



### Material losses

Following an interruption of the water supply, recommission the appliance by carrying out the following steps, in order to prevent irreparable damage to the bare wire heating system.

- ▶ Isolate the appliance from the power supply. Pull the power cable plug, if present, from the socket, or remove the fuse/reset the MCB.
- ▶ See chapter "Initial start-up".

### 12. Appliance shutdown

- ▶ Isolate the appliance from the power supply by means of the fuse/MCB in your fuse box or by pulling the power cable plug from the socket.
- ▶ Drain the appliance (see chapter "Maintenance").

### 13. Troubleshooting

Problem	Cause	Remedy
The appliance will not start despite the DHW valve being fully open.	The aerator in the tap is scaled up or dirty.	Clean and/or descale the aerator or replace the special aerator.
	The sieve in the cold water line is blocked.	Clean the sieve after shutting off the cold water inlet line.
	The heating system is faulty.	Check the resistance of the heating system and replace the appliance if required.

### 14. Maintenance



**DANGER Electrocution**  
Before any work on the appliance, disconnect all poles from the power supply.

#### 14.1 Draining the appliance



**DANGER Scalding**  
Hot water may escape during draining.

If the appliance needs to be drained for maintenance or to protect the whole installation when there is a risk of frost, proceed as follows:

- ▶ Close the shut-off valve in the cold water inlet line.
- ▶ Open the draw-off valve.
- ▶ Undo the water connections on the appliance.

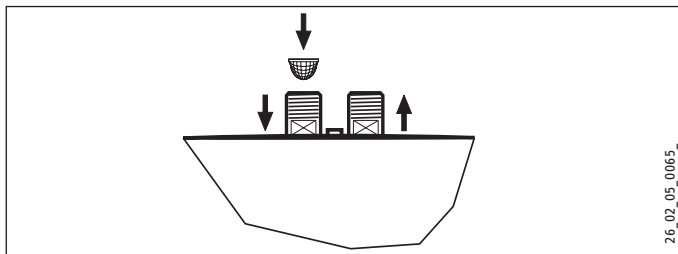


## INSTALLATION

### Maintenance

#### 14.2 Clean strainer

You can clean the fitted strainer after removing the cold water supply pipe.



#### 14.3 Tests in accordance with VDE 0701/0702

##### Earth conductor check

- ▶ Check the earth conductor (in Germany e.g. DGUV A3) on the earth conductor contact of the power cable and on the appliance connector.

##### Insulation resistance

- ▶ If an appliance with a rated heating output of > 3.5 kW does not achieve an insulation resistance of 300 k $\Omega$ , we recommend that the insulating properties of the appliance are checked by conducting a differential current test of the earth conductor current / leakage current to VDE 0701/0702 (Fig. C.3b).

#### 14.4 Appliance storage

- ▶ Store the dismantled appliance free from the risk of frost, as water residues remaining inside the appliance can freeze and cause damage.

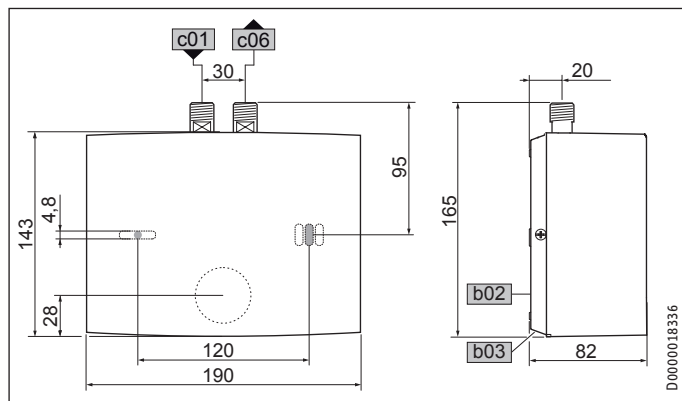
#### 14.5 Replacing the power cable for the EIL 6 Trend

- ▶ If replacing the cable for the EIL 6 Trend, use a power cable with 4 mm<sup>2</sup> cross-section.

# INSTALLATION Specification

## 15. Specification

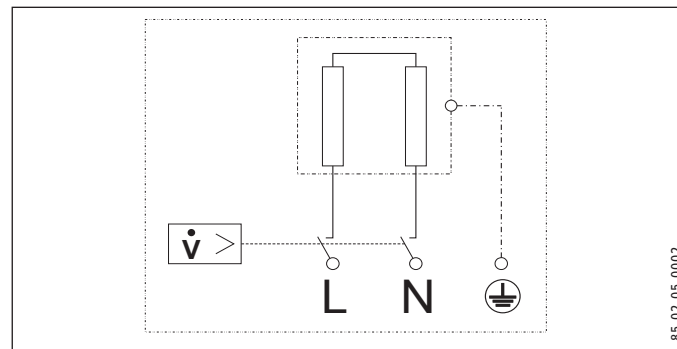
### 15.1 Dimensions and connections



		EIL Trend
b02	Entry for electrical cables I	
b03	Entry electrical cables II	
c01	Cold water inlet	Male thread G 3/8 A
c06	DHW outlet	Male thread G 3/8 A

### 15.2 Wiring diagram

1/N/PE ~ 200-240 V



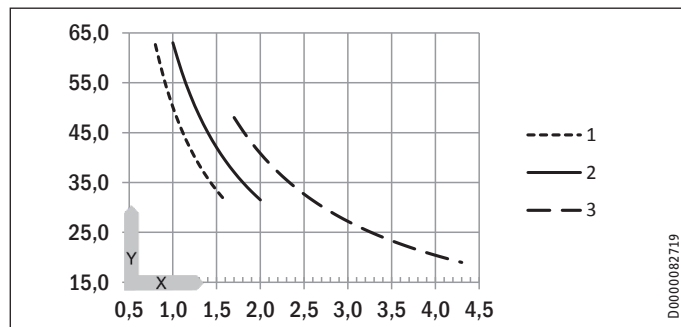
85\_02\_05\_0002

ENGLISH

# INSTALLATION Specification

## 15.3 Temperature increase

At 230 V, the following water temperature increases result:



- X Flow rate in l/min  
Y Temperature increase in K
- 1 3.5 kW - 230 V
  - 2 4.4 kW - 230 V
  - 3 5.7 kW - 230 V

### Example EIL 3 Trend with 3.5 kW

Flow rate	l/min	1.6
Temperature increase	K	31
Cold water supply temperature	°C	12
Maximum possible outlet temperature	°C	43

## 15.4 Application areas

For the specific electrical resistance and specific electrical conductivity, see "Data table"

Standard specification at 15 °C			20 °C			25 °C		
Specific resistance $\rho \geq$	Specific conductivity $\sigma \leq$		Specific resistance $\rho \geq$	Specific conductivity $\sigma \leq$		Specific resistance $\rho \geq$	Specific conductivity $\sigma \leq$	
$\Omega \text{ cm}$	mS/m	$\mu\text{S/cm}$	$\Omega \text{ cm}$	mS/m	$\mu\text{S/cm}$	$\Omega \text{ cm}$	mS/m	$\mu\text{S/cm}$
1100	91	909	970	103	1031	895	112	1117

# INSTALLATION Specification

## 15.5 Energy consumption data

Product datasheet: Conventional water heaters to regulation (EU) no. 812/2013 and 814/2013 / (S.I. 2019 No. 539 / Schedule 2)

		EIL 4 Trend				EIL 6 Trend			
		200143				200144			
Manufacturer		STIEBEL ELTRON				STIEBEL ELTRON			
Load profile		XXS				XXS			
Energy efficiency class		A				A			
Energy conversion efficiency	%	39				39			
Annual power consumption	kWh	478				478			
Sound power level	dB(A)	15				15			
Special information on measuring efficiency		None				None			
Daily power consumption	kWh	2.200				2.200			

## 15.6 Data table

		EIL 3 Trend				EIL 4 Trend				EIL 6 Trend			
		200142				200143				200144			
Electrical data													
Rated voltage	V	200	220	230	240	200	220	230	240	200	220	230	240
Rated output	kW	2.7	3.2	3.53	3.8	3.3	4.0	4.4	4.8	4.3	5.2	5.7	6.2
Rated current	A	13.3	14.5	15.2	15.8	16.7	18.2	19.1	20	21.6	23.6	24.7	25.8
Fuse protection	A	16				20				25	25	25	32
Frequency	Hz	50/60				50/60				50/60			
Phases		1/N/PE				1/N/PE				1/N/PE			
Max. mains impedance at 50 Hz	Ω									0.394	0.377	0.361	
Specific resistance $\rho_{15} \geq$	Ω cm	1100				1100				1100			
Specific conductivity $\sigma_{15} \leq$	μS/cm	909				909				909			

# INSTALLATION Specification

		EIL 3 Trend	EIL 4 Trend	EIL 6 Trend
<b>Connections</b>				
Water connection		G 3/8 A	G 3/8 A	G 3/8 A
<b>Application limits</b>				
Max. permissible pressure	MPa	0	0	0
<b>Values</b>				
Max. permissible inlet temperature	°C	15	15	35
On	l/min	> 1.0	> 1.3	> 2.6
Pressure drop at flow rate	MPa	0.06	0.07	0.08
Flow rate for pressure drop	l/min	1.0	1.3	2.6
Flow rate limit at	l/min	1.6	2.0	4.3
DHW delivery	l/min	1.6	2.0	2.6
$\Delta\theta$ on delivery	K	31	31	31
<b>Hydraulic data</b>				
Nominal capacity	l	0.1	0.1	0.1
<b>Versions</b>				
Oversink installation		X	X	X
Undersink installation		X	X	X
Open vented type		X	X	X
Protection class		1	1	1
Insulating block		Plastic	Plastic	Plastic
Heating system heat generator		Bare wire	Bare wire	Bare wire
Cover and back panel		Plastic	Plastic	Plastic
Colour		White	White	White
IP rating		IP 25	IP 25	IP 25
<b>Dimensions</b>				
Height	mm	143	143	143
Width	mm	190	190	190
Depth	mm	82	82	82
Length of connecting cable	mm	700	700	700

Weights		EIL 3 Trend	EIL 4 Trend	EIL 6 Trend
Weight	kg	1.4	1.4	1.4



**Note**

The appliance conforms to IEC 61000-3-12.

## Guarantee

The guarantee conditions of our German companies do not apply to appliances acquired outside of Germany. In countries where our subsidiaries sell our products a guarantee can only be issued by those subsidiaries. Such guarantee is only granted if the subsidiary has issued its own terms of guarantee. No other guarantee will be granted.

We shall not provide any guarantee for appliances acquired in countries where we have no subsidiary to sell our products. This will not affect warranties issued by any importers.

## Environment and recycling

We would ask you to help protect the environment. After use, dispose of the various materials in accordance with national regulations.

# TABLE DES MATIÈRES

## REMARQUES PARTICULIÈRES

### UTILISATION

<b>1. Remarques générales</b>	<b>24</b>
1.1 Consignes de sécurité	24
1.2 Autres pictogrammes utilisés dans cette documentation	25
1.3 Unités de mesure	25
<b>2. Sécurité</b>	<b>26</b>
2.1 Utilisation conforme	26
2.2 Consignes de sécurité générales	26
2.3 Label de conformité	27
<b>3. Description de l'appareil</b>	<b>27</b>
<b>4. Configuration</b>	<b>27</b>
<b>5. Nettoyage, entretien et maintenance</b>	<b>28</b>
<b>6. Dépannage</b>	<b>28</b>

### INSTALLATION

<b>7. Sécurité</b>	<b>29</b>
7.1 Consignes de sécurité générales	29
7.2 Prescriptions, normes et réglementations	29
<b>8. Description de l'appareil</b>	<b>29</b>
8.1 Fourniture	29
8.2 Accessoires	30
<b>9. Travaux préparatoires</b>	<b>30</b>
<b>10. Montage</b>	<b>30</b>
10.1 Lieu d'installation	30
10.2 Variantes de pose	31

10.3 Réalisation du raccordement électrique	33
<b>11. Mise en service</b>	<b>34</b>
11.1 Première mise en service	34
11.2 Remise de l'appareil au client	34
11.3 Remise en marche	35
<b>12. Mise hors service</b>	<b>35</b>
<b>13. Aide au dépannage</b>	<b>35</b>
<b>14. Maintenance</b>	<b>35</b>
14.1 Vidange de l'appareil	35
14.2 Nettoyage du filtre	36
14.3 Contrôles selon VDE 0701/0702	36
14.4 Stockage de l'appareil	36
14.5 Remplacement du câble d'alimentation électrique sur le EIL 6 Trend	36
<b>15. Caractéristiques techniques</b>	<b>37</b>
15.1 Cotes et raccords	37
15.2 Schéma électrique	37
15.3 Augmentation de la température	38
15.4 Plages d'utilisation	38
15.5 Indications relatives à la consommation énergétique	39
15.6 Tableau des données	40

## GARANTIE

## ENVIRONNEMENT ET RECYCLAGE

# REMARQUES PARTICULIÈRES

- L'appareil peut être utilisé par des enfants de 3 ans et plus, ainsi que par des personnes aux facultés physiques, sensorielles ou mentales réduites, ou par des personnes sans expérience, s'ils sont sous surveillance ou qu'ils ont été formés à l'utilisation en toute sécurité de l'appareil, et s'ils ont compris les dangers encourus. Ne laissez pas les enfants jouer avec l'appareil. Ne confiez pas le nettoyage ni les opérations de maintenance réservées aux utilisateurs à des enfants sans surveillance.
- En fonctionnement, la température de la robinetterie peut dépasser 50 °C. Risque de brûlure à des températures de sortie supérieures à 43 °C.
- Cet appareil ne convient pas pour alimenter une douche (en mode douche).
- L'appareil doit pouvoir être déconnecté du secteur par un dispositif de coupure multipolaire ayant une ouverture minimale des contacts de 3 mm.
- La tension indiquée doit correspondre à la tension du secteur.
- L'appareil doit être raccordé en permanence à un câblage fixe, à l'exception de EIL 3 Trend.
- En cas de détérioration ou pour le remplacement du câble d'alimentation, veuillez n'utiliser que des pièces de rechange d'origine, et faire appel à un installateur agréé par le fabricant.
- Fixez l'appareil comme indiqué dans le chapitre « Installation / Montage ».



### Remarques générales

- Tenez compte de la pression admissible maximale (voir chapitre « Données techniques / Tableau des données »)
- La résistance hydraulique spécifique du réseau de distribution d'eau doit être atteinte (voir le chapitre « Installation / Données techniques / Tableau de données »).
- Vidangez l'appareil comme indiqué au chapitre « Installation / Maintenance / Vidange de l'appareil ».

## UTILISATION

### 1. Remarques générales

Les chapitres « Remarques particulières » et « Utilisation » s'adressent aux utilisateurs de l'appareil et aux installateurs.

Le chapitre « Installation » s'adresse aux installateurs.



#### Remarque

Lisez attentivement cette notice avant l'utilisation et conservez-la soigneusement.

Remettez cette notice au nouvel utilisateur le cas échéant.

### 1.1 Consignes de sécurité

#### 1.1.1 Présentation des consignes de sécurité



#### MENTION D'AVERTISSEMENT Nature du danger




Sont indiqués ici les risques éventuellement encourus en cas de non-respect de la consigne de sécurité.

- Indique les mesures permettant de prévenir le danger.

## UTILISATION

### Remarques générales

#### 1.1.2 Pictogrammes, nature du danger

Pictogramme	Nature du danger
	Blessure
	Électrocution
	Brûlure (brûlure, ébouillantage)

#### 1.1.3 Mentions d'avertissement

MENTION D'AVERTISSEMENT	Signification
DANGER	Caractérise des consignes dont le non-respect entraîne de graves lésions, voire la mort.
AVERTISSEMENT	Caractérise des consignes dont le non-respect peut entraîner de graves lésions, voire la mort.
ATTENTION	Caractérise des consignes dont le non-respect peut entraîner des lésions légères ou moyennement graves.



#### 1.2 Autres pictogrammes utilisés dans cette documentation



##### Remarque

Les remarques sont délimitées par des lignes horizontales au-dessus et en dessous du texte. Le pictogramme ci-contre caractérise des consignes générales.

► Lisez attentivement les consignes.

Pictogramme	Signification
	Dommages matériels (endommagement de l'appareil, dommages consécutifs, pollution de l'environnement)
	Recyclage de l'appareil

► Ce pictogramme signale une action à entreprendre. Les actions nécessaires sont décrites étape par étape.

#### 1.3 Unités de mesure



##### Remarque

Sauf indication contraire, l'unité de mesure utilisée est en millimètre.

## 2. Sécurité

### 2.1 Utilisation conforme

Cet appareil est conçu pour la production d'eau chaude sanitaire. Il convient pour un lave-mains.

L'appareil est conçu pour une utilisation domestique. Il peut être utilisé sans risque par des personnes qui ne disposent pas de connaissances techniques particulières. L'appareil peut également être utilisé dans un environnement non domestique, par exemple dans de petites entreprises, à condition que son utilisation soit de même nature.

Tout autre emploi est considéré comme non conforme. Une utilisation conforme de l'appareil implique également le respect de cette notice et de celles des accessoires utilisés.

### 2.2 Consignes de sécurité générales



#### **DANGER Brûlure**

En fonctionnement, la température de la robinetterie peut dépasser 50 °C.

Risque de brûlure à des températures de sortie supérieures à 43 °C.



#### **AVERTISSEMENT Blessure**

L'appareil peut être utilisé par des enfants de 3 ans et plus, ainsi que par des personnes aux facultés physiques, sensorielles ou mentales réduites, ou par des personnes sans expérience, s'ils sont sous surveillance ou qu'ils ont été formés à l'utilisation en toute sécurité de l'appareil, et s'ils ont compris les dangers encourus. Ne laissez pas les enfants jouer avec l'appareil. Ne confiez pas le nettoyage ni les opérations de maintenance réservées aux utilisateurs à des enfants sans surveillance.



#### **DANGER Risque d'électrocution**

Faites remplacer immédiatement tout câble de raccordement électrique endommagé ou défectueux par un installateur. Cette précaution écarte tout risque potentiel.



#### **Dommages matériels**

Protégez l'appareil et la robinetterie du gel.



### **Dommages matériels**

Assurez-vous impérativement que l'appareil à écoulement libre n'est pas sous pression, au risque de le détruire :

- ▶ Utilisez uniquement le régulateur de jet spécial fourni.
- ▶ N'utilisez ni perlateurs ni tuyaux avec mousseur.
- ▶ N'obstruez jamais le bec de robinetterie.
- ▶ Évitez l'entartrage des becs de robinetterie (voir le chapitre « Nettoyage, entretien et maintenance »).

## **2.3 Label de conformité**

Voir la plaque signalétique sur l'appareil.

## **3. Description de l'appareil**

Ce mini chauffe-eau instantané à écoulement libre et commande hydraulique chauffe l'eau directement au point de soutirage. Lorsque la robinetterie est ouverte, la puissance de chauffe est automatiquement activée. Grâce aux faibles longueurs des conduites, les pertes d'énergie et d'eau sont réduites.

La capacité de production d'eau chaude dépend de la température de l'eau froide, de la puissance de chauffe et du débit.

Le système de chauffe à fil nu convient à l'eau calcaire et non calcaire. Le système de chauffe est largement résistant au tartre.

Il garantit une mise à disposition rapide et efficace de l'eau chaude au lave-mains.

En installant le régulateur de jet spécial fourni, vous obtenez un jet optimal.

## **4. Configuration**

Dès que vous ouvrez le robinet d'eau chaude de la robinetterie ou que la sonde d'une robinetterie à sonde est activée, le système de chauffe de l'appareil est automatiquement activé. L'eau est chauffée. Vous pouvez modifier la température de l'eau à l'aide de la robinetterie :

Pour le débit d'enclenchement, voir le chapitre « Données techniques / Tableau des données, Marche ».

### **Augmentation de la température**

- ▶ Réduisez le débit de soutirage à l'aide de la robinetterie.

### **Diminution de la température**

- ▶ Ouvrez plus la robinetterie ou ajoutez plus d'eau froide au mélangeur.

### **Après coupure d'eau**

Voir chapitre « Mise en service / Remise en marche ».

### 5. Nettoyage, entretien et maintenance

- ▶ N'utilisez aucun produit de nettoyage abrasif ou corrosif. Un chiffon humide suffit pour le nettoyage et l'entretien de l'appareil.



#### Dommages matériels

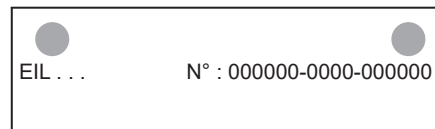
L'entartrage des becs de robinetteries peut mettre l'appareil sous pression et, éventuellement, le détruire.

- ▶ Contrôlez régulièrement les robinetteries. Vous pouvez éliminer le tartre au niveau des becs de robinetterie avec les produits de détartrage du commerce.
- ▶ Faites contrôler régulièrement la sécurité électrique de l'appareil par un installateur.
- ▶ Détartrez ou remplacez régulièrement le régulateur de jet spécial dans la robinetterie (voir le chapitre « Description de l'appareil / Accessoires »).

### 6. Dépannage

Problème	Cause	Remède
L'appareil ne démarre pas, bien que le robinet d'eau chaude soit entièrement ouvert.	L'appareil n'est pas sous tension.	Contrôlez le fusible / disjoncteur au tableau électrique.
	Le régulateur de jet de la robinetterie est entartré ou encrassé.	Procédez au nettoyage et/ou au détartrage du régulateur de jet, ou bien remplacez-le par un modèle spécial.
	L'alimentation en eau est coupée.	Purgez l'appareil et la conduite d'arrivée d'eau froide (voir le chapitre « Mise en service / Remise en marche »).

Appelez l'installateur si vous ne réussissez pas à éliminer la cause du problème. Pour obtenir une aide efficace et rapide, communiquez-lui le numéro indiqué sur la plaque signalétique (000000-0000-00000).



# INSTALLATION

## 7. Sécurité

L'installation, la mise en service, la maintenance et les réparations de cet appareil doivent exclusivement être confiées à un installateur.

### 7.1 Consignes de sécurité générales

Nous garantissons le bon fonctionnement et la sécurité de fonctionnement de l'appareil uniquement si les accessoires et pièces de rechange utilisés sont d'origine.



#### Dommages matériels

Tenez compte de la température d'arrivée d'eau maximale admissible. L'appareil peut subir des détériorations en cas de températures trop élevées. Vous pouvez limiter la température d'arrivée d'eau à l'aide d'une robinetterie thermostatique centralisée.



#### Dommages matériels

Utilisez l'appareil exclusivement avec des robinetteries à écoulement libre.

## 7.2 Prescriptions, normes et réglementations



#### Remarque

Respectez toutes les prescriptions et réglementations nationales et locales en vigueur.

La résistance électrique spécifique de l'eau ne doit pas être inférieure à celle indiquée sur la plaque signalétique. Pour un réseau mixte, vous devez prendre en compte la plus faible résistance électrique de l'eau (voir chapitre « Données techniques / Tableau des données »). Votre société distributrice est en mesure de délivrer les informations relatives à la résistance électrique spécifique ou à la conductivité électrique de l'eau.

## 8. Description de l'appareil

### 8.1 Fourniture

Sont fournis avec l'appareil :

- Filtre dans l'arrivée d'eau froide
- Régulateur de jet spécial
- Logo de la société pour le montage sur évier

## 8.2 Accessoires

### Régulateur de jet spécial



#### Remarque

Lorsque le régulateur de jet spécial est installé dans la robinetterie, vous obtenez un jet d'eau optimal.

### Robinetteries à écoulement libre

- MAW (OT) Robinetterie murale pour montage sur évier
- MAZ (UT) Robinetterie de lavabo à deux manettes
- MAE-W (UTE) Robinetterie de lavabo à une manette

## 9. Travaux préparatoires

- ▶ Rincez soigneusement la conduite d'eau.

### Installation hydraulique

Aucune soupape de sécurité n'est nécessaire.

### Robinetteries

- ▶ Utilisez des robinetteries appropriées (voir le chapitre « Description de l'appareil / Accessoires »).

## 10. Montage

### 10.1 Lieu d'installation

Installez l'appareil dans un local hors gel à proximité du robinet du point de soutirage.

Veillez à ce que les vis de fixation latérales du capot soient accessibles.

L'appareil est conçu pour un montage sous évier (raccordement hydraulique par le haut) et pour un montage sur évier (raccordement hydraulique par le bas).



#### **DANGER Risque d'électrocution**

**Le degré de protection IP 25 n'est assuré que si la paroi arrière de l'appareil est montée.**

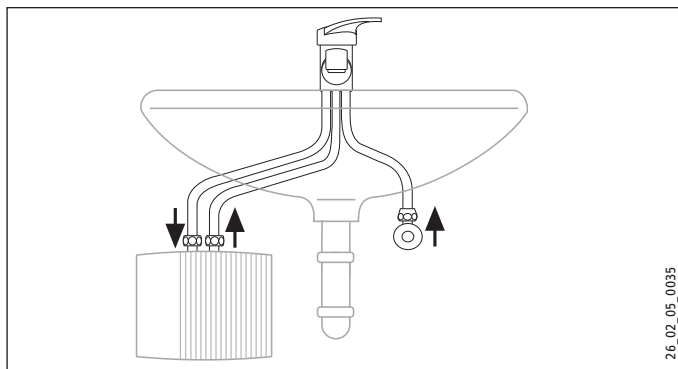
- ▶ Montez toujours la paroi arrière de l'appareil.

# INSTALLATION

## Montage

### 10.2 Variantes de pose

#### 10.2.1 Pose sous évier, écoulement libre, avec robinetterie à écoulement libre



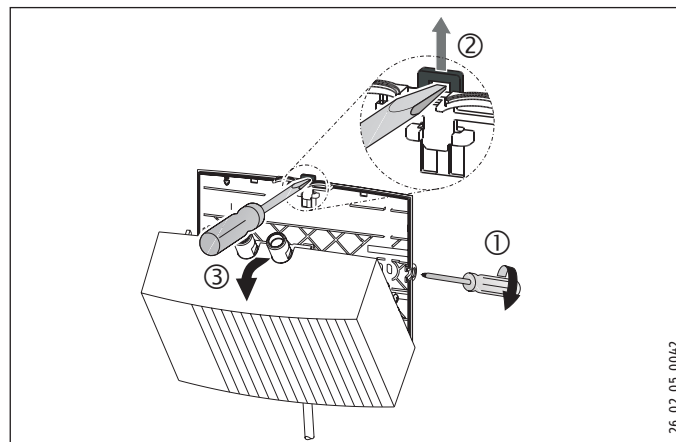
#### 10.2.2 Pose de l'appareil



##### Remarque

Le mur doit être suffisamment porteur.

- Fixez l'appareil au mur.



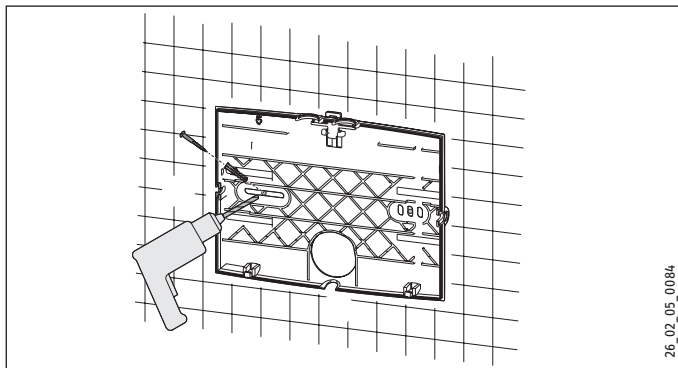
- Desserrez sur deux tours les vis de fixation du capot.
- Déverrouillez le bouchon à déclic à l'aide d'un tournevis.
- Retirez le capot de l'appareil avec le système de chauffe par l'avant.



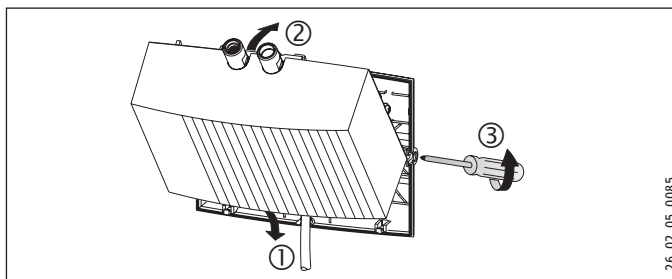
# INSTALLATION

## Montage

- ▶ Rompez l'ouverture de passage du câble de raccordement électrique dans le capot de l'appareil à l'aide d'une pince. Ébavurez les contours avec une lime au besoin.



- ▶ Utilisez la paroi arrière de l'appareil comme gabarit de perçage.
- ▶ Fixez la paroi arrière de l'appareil au mur à l'aide des vis et des chevilles.



- ▶ Passez le câble de raccordement électrique par le capot de l'appareil.
- ▶ Accrochez le bas du capot avec le système de chauffe.
- ▶ Encliquetez le système de chauffe dans le bouchon à déclic.
- ▶ Fixez le capot à l'aide de ses vis de fixation.

### Pose de la robinetterie



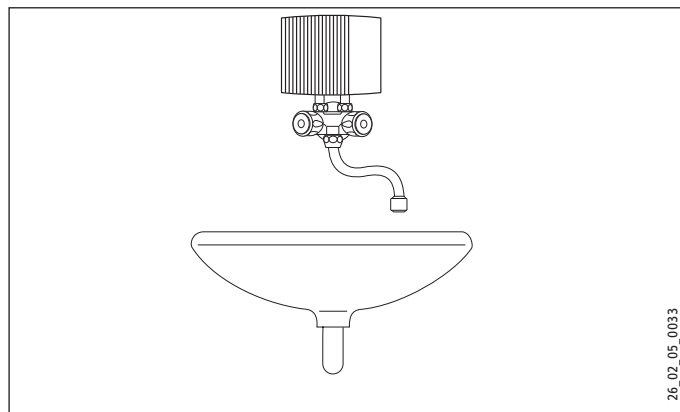
#### Domages matériels

- ▶ Lors du montage des raccords, la partie côté appareil doit impérativement être maintenue à l'aide d'une clé d'ouverture 14.
- ▶ Posez la robinetterie. Tenez compte des notice d'utilisation et d'installation de la robinetterie.

# INSTALLATION

## Montage

### 10.2.3 Montage sur évier à écoulement libre, avec robinetterie à écoulement libre



26\_02\_05\_0033

#### Pose de la robinetterie



#### Domages matériels

- ▶ Lors du montage des raccords, la partie côté appareil doit impérativement être maintenue à l'aide d'une clé d'ouverture 14.
- ▶ Posez la robinetterie. Tenez compte des notice d'utilisation et d'installation de la robinetterie.

#### Pose de l'appareil

- ▶ Posez l'appareil avec les raccords hydrauliques montés sur la robinetterie.

### 10.3 Réalisation du raccordement électrique



#### DANGER Risque d'électrocution

Exécutez tous les travaux de raccordement et d'installation électriques conformément aux prescriptions.



#### DANGER Risque d'électrocution

Veillez à ce que l'appareil soit raccordé au conducteur de mise à la terre.

L'appareil doit pouvoir être déconnecté du secteur par un dispositif de coupure multipolaire ayant une ouverture minimale des contacts de 3 mm.



#### DANGER Risque d'électrocution

Les appareils sont équipés d'origine d'un cordon de raccordement (EIL 3 Trend avec fiche).

Il est possible de brancher l'appareil sur une ligne électrique fixe à condition que celle-ci présente des conducteurs d'une section au moins égale à celle du cordon de l'appareil. Ces conducteurs doivent avoir une section de 3 x 6 mm<sup>2</sup> au maximum.

- ▶ Si l'appareil est monté sur l'évier, vous devez faire passer le câble d'alimentation électrique derrière l'appareil.



#### Domages matériels

Si vous branchez l'appareil sur une prise secteur 2P+T (dans le cas d'un cordon d'alimentation avec fiche), veillez à ce que celle-ci reste accessible une fois l'appareil installé.



#### Domages matériels

Respectez les indications de la plaque signalétique. La tension indiquée doit correspondre à la tension du secteur.

- ▶ Raccordez le câble d'alimentation électrique selon le schéma électrique (voir le chapitre « Données techniques / Schéma électrique »).

## 11. Mise en service

### 11.1 Première mise en service



- ▶ Remplissez l'appareil par plusieurs soutirages en ouvrant la robinetterie jusqu'à ce que la conduite d'arrivée d'eau et l'appareil soient totalement purgés.
- ▶ Effectuez un contrôle d'étanchéité.
- ▶ Branchez la fiche du cordon dans la prise secteur 2P+T ou enclenchez le disjoncteur.
- ▶ Contrôlez le fonctionnement de l'appareil.
- ▶ Si l'appareil est posé au-dessus de l'évier, vous devez coller le logo de la société fourni sur le logo existant.

### 11.2 Remise de l'appareil au client

- ▶ Expliquez les différentes fonctions de l'appareil à l'utilisateur, puis familiarisez-le avec son utilisation.
- ▶ Indiquez à l'utilisateur les risques encourus, notamment les risques de brûlures.
- ▶ Remettez-lui cette notice.

# INSTALLATION

## Mise hors service

### 11.3 Remise en marche



#### Dommages matériels

Après une coupure d'eau, l'appareil doit être remis en fonctionnement en procédant comme suit pour ne pas détruire le système de chauffe à fil nu.

- ▶ Mettez l'appareil hors tension. Débranchez la fiche du cordon de la prise secteur ou déclenchez le disjoncteur.
- ▶ Voir le chapitre « Première mise en service ».

### 12. Mise hors service

- ▶ Séparez l'appareil du secteur à l'aide du disjoncteur de l'installation domestique ou débranchez la fiche du cordon d'alimentation.
- ▶ Vidangez l'appareil (voir le chapitre « Maintenance »).

### 13. Aide au dépannage

Problème	Cause	Remède
L'appareil ne démarre pas, bien que le robinet d'eau chaude soit entièrement ouvert.	Le régulateur de jet de la robinetterie est entartré ou encrassé.	Procédez au nettoyage et/ou au détartrage du régulateur de jet, ou bien remplacez-le par un modèle spécial.
	Le filtre de l'arrivée d'eau froide est colmaté.	Nettoyez le filtre après avoir coupé l'arrivée d'eau froide.

Problème	Cause	Remède
	Le système de chauffe est défectueux.	Mesurez la résistance du système de chauffe et, le cas échéant, remplacez l'appareil.

### 14. Maintenance



#### DANGER Risque d'électrocution

Avant toute intervention, débranchez l'appareil sur tous les pôles.

#### 14.1 Vidange de l'appareil



#### DANGER Brûlure

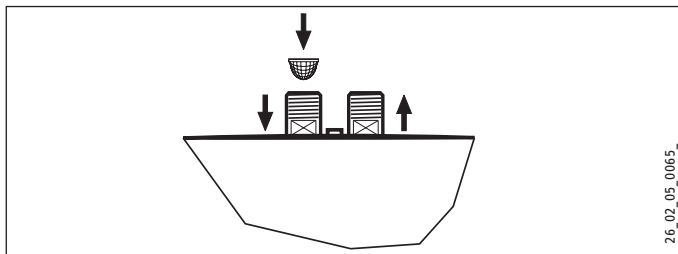
L'eau vidangée peut être très chaude.

Si l'appareil doit être vidangé pour les travaux de maintenance ou en vue de protéger l'ensemble de l'installation en cas de risque de gel, veuillez procéder comme suit :

- ▶ Fermez le robinet d'arrêt de l'arrivée d'eau froide.
- ▶ Ouvrez le robinet de soutirage.
- ▶ Desserrez les raccords hydrauliques de l'appareil.

### 14.2 Nettoyage du filtre

Vous pouvez nettoyer le filtre intégré une fois que la conduite de raccordement d'eau froide a été démontée.



### 14.3 Contrôles selon VDE 0701/0702

#### Contrôle du conducteur de mise à la terre

- ▶ Contrôlez le conducteur de terre (en Allemagne p. ex. DGUV A3) au contact du conducteur de terre sur la ligne électrique et au manchon de raccordement de l'appareil.

#### Résistance d'isolement

- ▶ Si un appareil d'une puissance de chauffe nominale  $> 3,5$  kW ne peut pas atteindre la résistance d'isolement de  $300$  k $\Omega$ , nous recommandons de vérifier les propriétés d'isolement de cet appareil par une mesure du différentiel courant de terre / courant de fuite selon VDE 0701/0702 (fig. C.3b).

### 14.4 Stockage de l'appareil

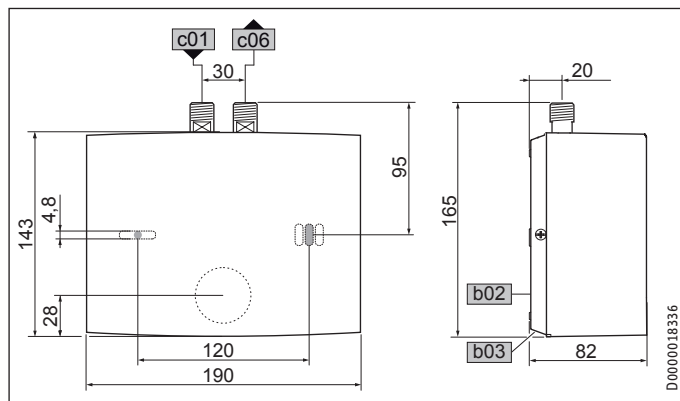
- ▶ Veillez à protéger du gel tout appareil déposé, car celui-ci contient encore de l'eau pouvant geler et provoquer des dommages.

### 14.5 Remplacement du câble d'alimentation électrique sur le EIL 6 Trend

- ▶ Sur le EIL 6 Trend, en cas de remplacement, vous devez utiliser un câble électrique de  $4$  mm $^2$ .

### 15. Caractéristiques techniques

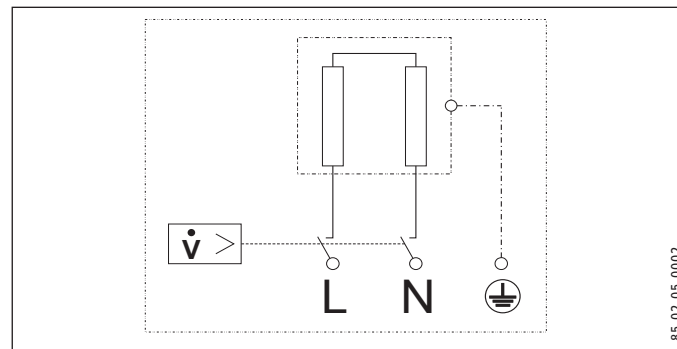
#### 15.1 Cotes et raccords



		EIL Trend
b02	Passage des câbles électriques I	
b03	Passage des câbles électriques II	
c01	Arrivée eau froide	Filetage mâle G 3/8 A
c06	Sortie eau chaude	Filetage mâle G 3/8 A

#### 15.2 Schéma électrique

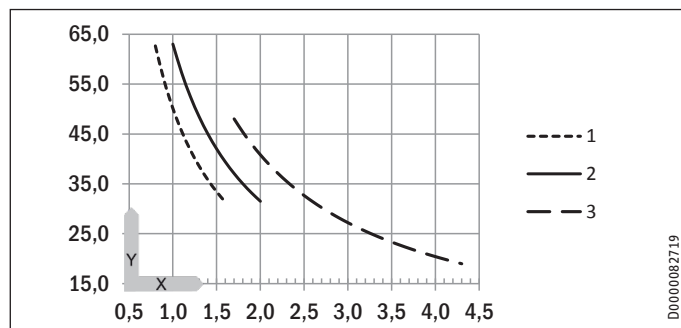
1/N/PE ~ 200-240 V



85\_02\_05\_0002

### 15.3 Augmentation de la température

Avec une tension secteur de 230 V, on obtient les hausses de température suivantes de l'eau:



X Débit de soutirage en l/min  
Y Hausse de température en K

- 1 3,5 kW - 230 V
- 2 4,4 kW - 230 V
- 3 5,7 kW - 230 V

#### Exemple EIL 3 Trend à 3,5 kW

Débit volumique	l/min	1,6
Augmentation de la température	K	31
Température d'arrivée eau froide	°C	12
Température maximale de sortie possible eau chaude	°C	43

### 15.4 Plages d'utilisation

Résistance électrique spécifique et conductivité électrique spécifique, voir « Tableau des données »

Indication normalisée à 15 °C			20 °C			25 °C		
Résistance spécifique $\rho \geq$	Conductivité spécifique $\sigma \leq$		Résistance spécifique $\rho \geq$	Conductivité spécifique $\sigma \leq$		Résistance spécifique $\rho \geq$	Conductivité spécifique $\sigma \leq$	
$\Omega \text{ cm}$	mS/m	$\mu\text{S/cm}$	$\Omega \text{ cm}$	mS/m	$\mu\text{S/cm}$	$\Omega \text{ cm}$	mS/m	$\mu\text{S/cm}$
1100	91	909	970	103	1031	895	112	1117

### 15.5 Indications relatives à la consommation énergétique

Fiche produit : Chauffe-eau conventionnels selon règlement (UE) n° 812/2013 | 814/2013

		EIL 4 Trend 200143	EIL 6 Trend 200144
Fabricant		STIEBEL ELTRON	STIEBEL ELTRON
Profil de soutirage		XXS	XXS
Classe d'efficacité énergétique		A	A
Efficacité énergétique pour le chauffage de l'eau par conditions climatiques moyennes	%	39	39
Consommation annuelle d'électricité	kWh	478	478
Niveau de puissance acoustique	dB(A)	15	15
Indication spécifique pour la mesure de l'efficacité		aucun	aucun
Consommation journalière d'électricité	kWh	2,200	2,200



### 15.6 Tableau des données

		EIL 3 Trend				EIL 4 Trend				EIL 6 Trend			
		200142				200143				200144			
<b>Données électriques</b>													
Tension nominale	V	200	220	230	240	200	220	230	240	200	220	230	240
Puissance nominale	kW	2,7	3,2	3,53	3,8	3,3	4,0	4,4	4,8	4,3	5,2	5,7	6,2
Intensité nominale	A	13,3	14,5	15,2	15,8	16,7	18,2	19,1	20	21,6	23,6	24,7	25,8
Protection (électrique)	A	16				20				25	25	25	32
Fréquence	Hz	50/60				50/60				50/60			
Phases		1/N/PE				1/N/PE				1/N/PE			
Impédance de réseau maximale à 50 Hz	$\Omega$									0,394	0,377	0,361	
Résistance spécifique $\rho_{15} \geq$	$\Omega$ cm	1100				1100				1100			
Conductivité spécifique $\sigma_{15} \leq$	$\mu S/cm$	909				909				909			
<b>Raccordements</b>													
Raccordement hydraulique		G 3/8 A				G 3/8 A				G 3/8 A			
<b>Limites d'utilisation</b>													
Pression maxi admissible	MPa	0				0				0			
<b>Valeurs</b>													
Température d'arrivée max. admissible	$^{\circ}C$	15				15				35			
Activé	l/min	> 1,0				> 1,3				> 2,6			
Pertes de charge avec débit	MPa	0,06				0,07				0,08			
Débit pour pertes de charge	l/min	1,0				1,3				2,6			
Limitation du débit à	l/min	1,6				2,0				4,3			
Eau chaude à disposition	l/min	1,6				2,0				2,6			
$\Delta\vartheta$ pour mise à disposition	K	31				31				31			
<b>Données hydrauliques</b>													
Capacité nominale	l	0,1				0,1				0,1			

## INSTALLATION

### Caractéristiques techniques

Versions		EIL 3 Trend	EIL 4 Trend	EIL 6 Trend
Montage sur évier		X	X	X
Type de montage sous évier		X	X	X
Construction à écoulement libre		X	X	X
Classe de protection		1	1	1
Bloc isolant		plastique	plastique	plastique
Générateur de chaleur système de chauffage		Fil nu	Fil nu	Fil nu
Cache et panneau arrière		plastique	plastique	plastique
Couleur		blanc	blanc	blanc
Indice de protection (IP)		IP 25	IP 25	IP 25
<b>Dimensions</b>				
Hauteur	mm	143	143	143
Largeur	mm	190	190	190
Profondeur	mm	82	82	82
Longueur du câble de raccordement	mm	700	700	700
<b>Poids</b>				
Poids	kg	1,4	1,4	1,4



#### Remarque

L'appareil est conforme à la norme CEI 61000-3-12.

## Garantie

Les conditions de garantie de nos sociétés allemandes ne s'appliquent pas aux appareils achetés hors d'Allemagne. Au contraire, c'est la filiale chargée de la distribution de nos produits dans le pays qui est seule habilitée à accorder une garantie. Une telle garantie ne pourra cependant être accordée que si la filiale a publié ses propres conditions de garantie. Il ne sera accordé aucune garantie par ailleurs.

Nous n'accordons aucune garantie pour les appareils achetés dans des pays où aucune filiale de notre société ne distribue nos produits. D'éventuelles garanties accordées par l'importateur restent inchangées.

## Environnement et recyclage

Merci de contribuer à la préservation de notre environnement. Après usage, procédez à l'élimination des matériaux conformément à la réglementation nationale.

## BIJZONDERE INSTRUCTIES

### BEDIENING

<b>1. Algemene voorschriften</b>	<b>45</b>
1.1 Veiligheidsinstructies	45
1.2 Andere aandachtspunten in deze documentatie	46
1.3 Meeteenheden	46
<b>2. Veiligheid</b>	<b>47</b>
2.1 Reglementair gebruik	47
2.2 Algemene veiligheidsvoorschriften	47
2.3 Keurmerk	48
<b>3. Toestelbeschrijving</b>	<b>48</b>
<b>4. Instellingen</b>	<b>48</b>
<b>5. Reiniging, onderhoud en revisie</b>	<b>49</b>
<b>6. Problemen verhelpen</b>	<b>49</b>

### INSTALLATIE

<b>7. Veiligheid</b>	<b>50</b>
7.1 Algemene veiligheidsvoorschriften	50
7.2 Voorschriften, normen en bepalingen	50
<b>8. Toestelbeschrijving</b>	<b>50</b>
8.1 Leveringsomvang	50
8.2 Toebehoren	51
<b>9. Voorbereidingen</b>	<b>51</b>
<b>10. Montage</b>	<b>51</b>
10.1 Montageplaats	51
10.2 Montagealternatieven	52

10.3 Elektriciteit aansluiten	54
<b>11. Ingebruikname</b>	<b>55</b>
11.1 Eerste ingebruikname	55
11.2 Overdracht van het toestel	55
11.3 Opnieuw in gebruik nemen	55
<b>12. Buitendienststelling</b>	<b>56</b>
<b>13. Storingen verhelpen</b>	<b>56</b>
<b>14. Onderhoud</b>	<b>56</b>
14.1 Het toestel aftappen	56
14.2 Zeef reinigen	57
14.3 Controles volgens VDE 0701/0702	57
14.4 Opslag van het toestel	57
14.5 De elektrische aansluitkabel bij de EIL 6 Trend vervangen	57
<b>15. Technische gegevens</b>	<b>58</b>
15.1 Afmetingen en aansluitingen	58
15.2 Schakelschema	58
15.3 Temperatuurverhoging	59
15.4 Toepassingsmogelijkheden	59
15.5 Gegevens over het energieverbruik	60
15.6 Gegevenstabel	61

### GARANTIE

### MILIEU EN RECYCLING

# BIJZONDERE INSTRUCTIES

- Het toestel kan door kinderen vanaf 3 jaar, alsmede door personen met fysieke, zintuiglijke of geestelijke beperkingen of met een gebrek aan ervaring en kennis gebruikt worden, wanneer er toezicht op hen gehouden wordt, of wanneer ze met betrekking tot het veilige gebruik van het toestel getraind zijn en de gevaren die daaruit ontstaan, begrepen hebben. Kinderen mogen niet met het toestel spelen. Kinderen mogen zonder toezicht het toestel niet reinigen noch gebruikersonderhoud uitvoeren.
- De temperatuur van de kraan kan bij gebruik hoger worden dan 50 °C. Bij uitlooptemperaturen van meer dan 43 °C bestaat gevaar voor brandwonden.
- Het toestel is niet geschikt voor de voorziening van een douche (douchewerking).
- Het toestel moet op alle polen met een afstand van minstens 3 mm van de aansluiting van het net kunnen worden losgekoppeld.
- De aangegeven spanning moet overeenkomen met de netspanning.
- Het toestel moet permanent op een vaste bedrading aangesloten worden, uitzondering EIL 3 Trend.
- De stroomkabel mag bij beschadiging of vervanging alleen worden vervangen door een origineel onderdeel en door een installateur die daartoe door de fabrikant gemachtigd is.
- Monteer het toestel zoals beschreven in het hoofdstuk "Installatie / Montage".
- Neem de maximaal toegelaten druk in acht (zie hoofdstuk "Technische gegevens / Gegevenstabel").

- De specifieke waterweerstand van het watervoorzieningsnetwerk mag niet onderschreden worden (zie hoofdstuk "Installatie / Technische gegevens / Gegevenstabel").
- Tap het toestel af zoals beschreven in het hoofdstuk "Installatie/onderhoud/het toestel aftappen".

## BEDIENING

### 1. Algemene voorschriften

De hoofdstukken "Bijzondere info" en "Bediening" zijn bedoeld voor de gebruiker van het toestel en de installateur.

Het hoofdstuk "Installatie" is bedoeld voor de installateur.



#### Info

Lees deze handleiding voor gebruik zorgvuldig door en bewaar deze.

Geef de handleiding door aan een volgende gebruiker indien van toepassing.

#### 1.1 Veiligheidsinstructies

##### 1.1.1 Opbouw veiligheidsinstructies



#### TREFWOORD Soort gevaar



Hier worden de mogelijke gevolgen vermeld, wanneer de veiligheidsinstructies genegeerd worden.

► Hier staan maatregelen om gevaren te voorkomen.

## BEDIENING

### Algemene voorschriften

#### 1.1.2 Symbolen, soort gevaar

Symbool	Soort gevaar
	Letsel
	Elektrische schok
	Verbranding (verbranding, verschroeïing)

#### 1.1.3 Trefwoorden

TREFWOORD	Betekenis
GEVAAR	Instructies die leiden tot zwaar letsel of overlijden, wanneer deze niet in acht genomen worden.
WAARSCHUWING	Instructies die kunnen leiden tot zwaar letsel of overlijden, wanneer deze niet in acht genomen worden.
VOORZICHTIG	Instructies die kunnen leiden tot middelmatig zwaar of licht letsel, wanneer deze niet in acht genomen worden.



#### 1.2 Andere aandachtspunten in deze documentatie



##### Info

Aanwijzingen staan tussen horizontale lijnen. Algemene aanwijzingen worden aangeduid met het hiernaast afgebeelde symbool.

► Lees de instructieteksten grondig door.

Symbool	Betekenis
	Materiële schade (toestel-, gevolg-, milieuschade)
	Het toestel afdanken

► Dit symbool geeft aan dat u iets moet doen. De vereiste handelingen worden stap voor stap beschreven.

#### 1.3 Meeteenheden



##### Info

Tenzij anders wordt vermeld, wordt de maateenheid in millimeter aangegeven.

## 2. Veiligheid

### 2.1 Reglementair gebruik

Het toestel is bestemd voor het opwarmen van drinkwater. Het toestel is bedoeld voor een handwastafel.

Het toestel is bestemd voor huishoudelijk gebruik. Het kan op een veilige manier bediend worden door personen die niet zijn geïnstrueerd in het gebruik ervan. Het toestel kan ook buiten het huishouden gebruikt worden, bijv. in een klein bedrijf, voor zover het op dezelfde wijze gebruikt wordt.

Elk ander gebruik dat verder gaat dan wat hier wordt omschreven, geldt als niet reglementair. Onder reglementair gebruik valt ook het in acht nemen van deze handleiding evenals de handleidingen voor het gebruikte toebehoren.

### 2.2 Algemene veiligheidsvoorschriften



#### GEVAAR voor verschroeïing

De temperatuur van het kraanwater kan bij gebruik hoger worden dan 50 °C.

Bij uitlooptemperaturen van meer dan 43 °C bestaat gevaar voor brandwonden.



#### WAARSCHUWING letsel

Het toestel kan door kinderen vanaf 3 jaar, alsmede door personen met fysieke, zintuiglijke of geestelijke beperkingen of met een gebrek aan ervaring en kennis gebruikt worden, wanneer er toezicht op hen gehouden wordt, of wanneer ze met betrekking tot het veilige gebruik van het toestel getraind zijn en de gevaren die daaruit ontstaan, begrepen hebben. Kinderen mogen niet met het toestel spelen. Kinderen mogen zonder toezicht het toestel niet reinigen noch gebruikersonderhoud uitvoeren.



#### GEVAAR Elektrische schok

Een beschadigde elektrische aansluitkabel moet door een vakman worden vervangen. Daardoor worden mogelijke risico's uitgesloten.



#### Materiële schade

Bescherm het toestel en de kraan tegen vorst.





### **Materiële schade**

Controleer of het drukloze toestel niet is blootgesteld aan druk, omdat het anders defect kan raken:

- ▶ Gebruik alleen de meegeleverde speciale straalregelaar.
- ▶ Gebruik geen perlators of slangen met een straalregelaar.
- ▶ Sluit nooit de kraanuitlopen af.
- ▶ Voorkom kalkaanslag aan de kraanuitlopen (zie het hoofdstuk "Reiniging, verzorging en onderhoud").

## 2.3 Keurmerk

Zie het typeplaatje op het toestel.

## 3. Toestelbeschrijving

De hydraulisch gestuurde drukloze mini-doorstromer verwarmt het water direct bij het tappunt. Bij het openen van de kraan wordt het verwarmingsvermogen automatisch ingeschakeld. Door het korte leidingtraject ontstaan slechts geringe energie- en waterverliezen.

Het warmwatervermogen is afhankelijk van de koudwaterinlooptemperatuur, het verwarmingsvermogen en het doorstroomvolume.

Het blankdraadelement is geschikt voor kalkarm en kalkhoudend water. Het verwarmingssysteem is in grote mate ongevoelig voor verkalking. Het verwarmingssysteem zorgt voor een snelle en efficiënte warmwateraanbieding aan de handwastafel.

De inbouw van de meegeleverde speciale straalregelaar resulteert in een optimale waterstraal.

## 4. Instellingen

Zodra u de warmwaterkraan opendraait of de sensor van een sensorkraan activeert, wordt automatisch het verwarmingssysteem van het toestel ingeschakeld. Het water wordt verwarmd. U kunt de temperatuur van het water met de kraan instellen:

Zie voor de tapdrempel het hoofdstuk "Technische gegevens/gegevenstabel".

### **Temperatuur verhogen**

- ▶ Smoor het doorstroomvolume bij de kraan.

### **Temperatuur verlagen**

- ▶ Draai de kraan verder open of meng meer koud water bij.

### **Na onderbreking van de watertoevoer**

Zie het hoofdstuk "Ingebruikname/opnieuw in gebruik nemen".

### 5. Reiniging, onderhoud en revisie

- ▶ Gebruik geen schurende reinigingsmiddelen of reinigingsmiddelen die oplosmiddelen bevatten. Een vochtige doek volstaat om het toestel te onderhouden en te reinigen.



#### Materiële schade

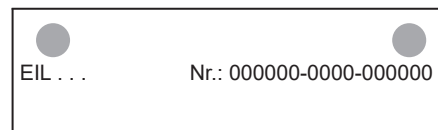
Verkalking van de kraanuitlopen kan het toestel onder druk zetten, waardoor het defect kan raken.

- ▶ Controleer regelmatig de kranen. Verwijder kalk op de kraanuitlopen met in de handel verkrijgbare ontkalkingsmiddelen.
- ▶ Laat de elektrische veiligheid van het toestel periodiek controleren door een installateur.
- ▶ Ontkalk of vervang de speciale straalregelaar van de kraan regelmatig (zie het hoofdstuk "Toestelbeschrijving/accessoires").

### 6. Problemen verhelpen

Probleem	Oorzaak	Oplossing
Toestel schakelt niet maar de kraan staat open.	Het toestel heeft geen spanning.	Controleer de zekering van de huisinstallatie.
	De straalregelaar in de kraan is vuil of verkalkt.	Reinig en/of ontkalk de straalregelaar of vervang de speciale straalregelaar.
	De watervoorziening is onderbroken.	Ontlucht het toestel en de koudwatertoevoerleiding (zie het hoofdstuk "Ingebruikname/opnieuw in gebruik nemen").

Neem contact op met de installateur als u de oorzaak van het probleem zelf niet kunt verhelpen. Hij kan u sneller en beter helpen als u hem het nummer op het typeplaatje doorgeeft (000000-0000-00000).



# INSTALLATIE

## 7. Veiligheid

Installatie, gebruiknaam, onderhoud en reparatie van het toestel mogen alleen door een gekwalificeerde installateur uitgevoerd worden.

### 7.1 Algemene veiligheidsvoorschriften

Wij waarborgen de goede werking en de bedrijfszekerheid uitsluitend bij gebruik van originele onderdelen en reserveonderdelen voor het toestel.



#### Materiële schade

Houd rekening met de max. toegelaten aanvoertemperatuur. Bij hogere temperaturen kan het toestel beschadigd raken. Met een centrale thermostaatkraan kunt u de aanvoertemperatuur begrenzen.



#### Materiële schade

Gebruik alleen drukloze kranen voor het toestel.

## 7.2 Voorschriften, normen en bepalingen



#### Info

Neem alle nationale en regionale voorschriften en bepalingen in acht.

De specifieke elektrische weerstand van het water mag niet lager zijn dan de waarde die vermeld staat op het typeplaatje. Bij een water-koppelnets moet rekening worden gehouden met de laagste elektrische weerstand van het water (zie het hoofdstuk "Technische gegevens/gegevenstabel"). De specifieke elektrische weerstand of het elektrisch geleidend vermogen van het water kunt u opvragen bij uw watermaatschappij.

## 8. Toestelbeschrijving

### 8.1 Leveringsomvang

Bij het toestel wordt het volgende geleverd:

- Zeef in de koudwatertoevoer
- Speciale straalregelaar
- Bedrijfslogo voor bovenbouwmontage

# INSTALLATIE

## Vorbereidingen

### 8.2 Toebehoren

#### Speciale straalregelaar



#### Info

De inbouw van de speciale straalregelaar in de kraan resulteert in een optimale waterstraal.

#### Drukloze kranen

- MAW (OT) Wandkraan voor bovenbouw
- MAZ (UT) Tweegreeps wastafelkraan
- MAE-W (UTE) Eengreeps wastafelkraan

## 9. Vorbereidingen

- ▶ Spoel de waterleiding grondig door.

#### Waterinstallatie

Een veiligheidsventiel is niet noodzakelijk.

#### Kranen

- ▶ Gebruik geschikte kranen (zie hoofdstuk "Toestelbeschrijving/toebehoren").

## 10. Montage

### 10.1 Montageplaats

Monteer het toestel in een vorstvrije ruimte in de nabijheid van het aftappunt.

Zorg ervoor dat de bevestigingsschroeven aan de zijkant van de kappen bereikbaar blijven.

Het toestel is geschikt voor onderbouw (wateraansluitingen aan de bovenkant) en bovenbouw (wateraansluitingen aan de onderkant).



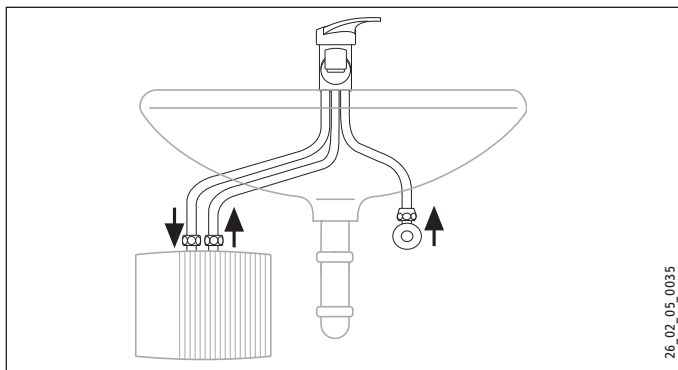
#### GEVAAR Elektrische schok

De beschermingsgraad IP25 is enkel gewaarborgd als de achterwand van het toestel is gemonteerd.

- ▶ Monteer altijd de achterwand van het toestel.

### 10.2 Montagealternatieven

#### 10.2.1 Ondermontage, drukloos, met drukloze kraan



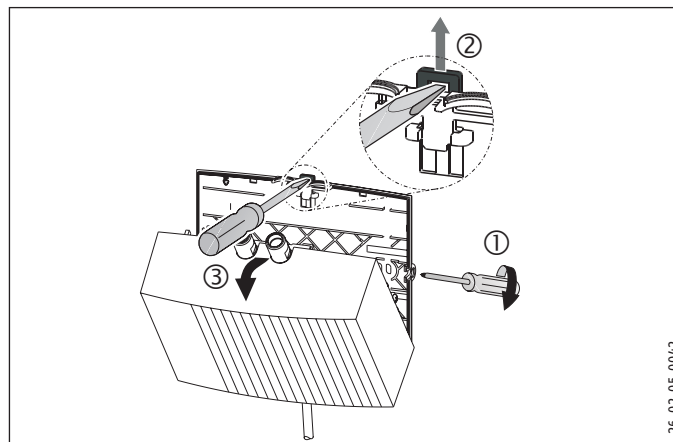
#### 10.2.2 Montage van het toestel



##### Info

De muur moet voldoende draagvermogen hebben.

- Monteer het toestel aan de muur.

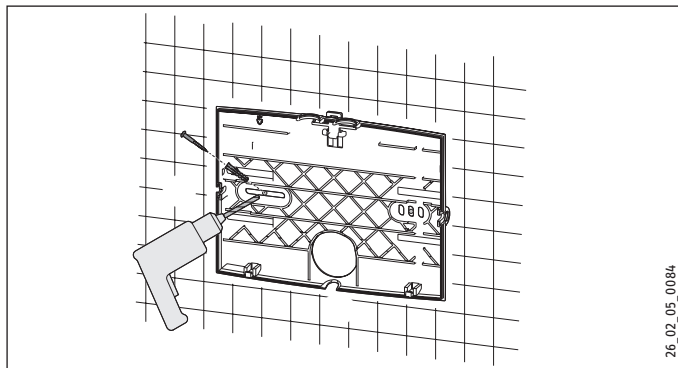


- Draai de bevestigingsschroeven van de kappen twee slagen los.
- Ontgrendel de knipsluiting met een schroevendraaier.
- Verwijder de toestelkap met het verwarmingssysteem naar voren.

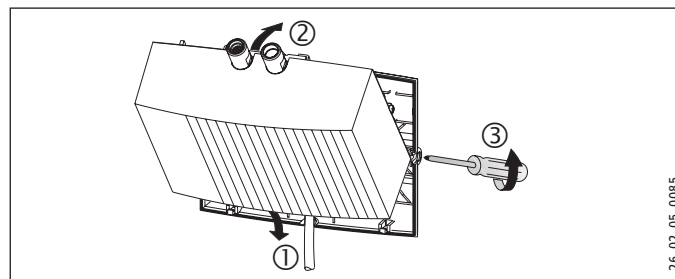
# INSTALLATIE

## Montage

- ▶ Breek de doorvoeropening in de toestelkap voor de elektrische aansluitkabel uit met een tang. Werk de rand zo nodig bij met een vijl.



- ▶ Gebruik de achterwand van het toestel als boorsjabloon.
- ▶ Monteer de achterwand met geschikte pluggen en schroeven op de muur.



- ▶ Leid de elektrische aansluitkabel door de doorvoeropening in de achterwand.
- ▶ Haak de toestelkap met het verwarmingssysteem onder in.
- ▶ Klik het verwarmingssysteem in de knipsluiting.
- ▶ Zet de toestelkap vast met de bevestigingsschroeven.

### Montage van de kraan



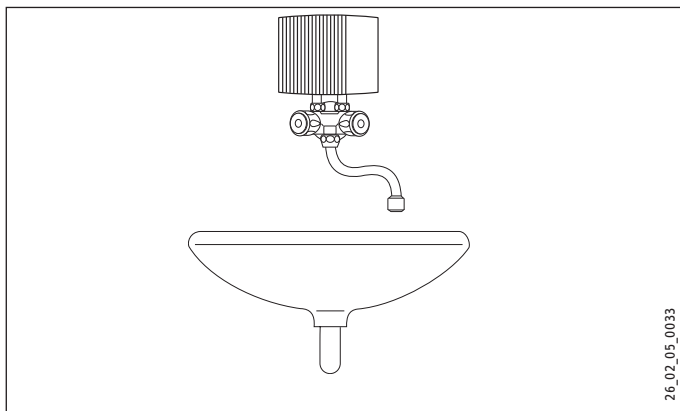
#### Materiële schade

- ▶ Bij het vastzetten van de aansluitingen dient u deze bij het toestel tegen te houden met een sleutel SW 14.
- ▶ Monteer de kraan. Neem de instructies in de Bedienings- en installatiehandleiding van de kraan in acht.

# INSTALLATIE

## Montage

### 10.2.3 Bovenmontage, drukloos, met drukloze kraan



### Montage van de kraan



#### Materiële schade

- ▶ Bij het vastzetten van de aansluitingen dient u deze bij het toestel tegen te houden met een sleutel SW 14.
- ▶ Monteer de kraan. Neem de instructies in de Bedienings- en installatiehandleiding van de kraan in acht.

### Montage van het toestel

- ▶ Monteer het toestel met de wateraansluitingen op de kraan.

### 10.3 Elektriciteit aansluiten



#### GEVAAR Elektrische schok

Voer alle werkzaamheden voor elektriciteitsaansluitingen en montage uit conform de voorschriften.



#### GEVAAR Elektrische schok

Zorg ervoor dat het toestel is aangesloten op de aardleiding.

Het toestel moet op alle polen met een afstand van minstens 3 mm van de aansluiting van het net kunnen worden losgekoppeld.



#### GEVAAR Elektrische schok

De toestellen worden geleverd met een elektrische aansluitkabel (EIL 3 Trend met stekker).

Een aansluiting op een vaste elektrische leiding is mogelijk, als die minstens dezelfde diameter heeft als de standaardaansluitkabel. De maximale kabeldoorsnede bedraagt  $3 \times 6 \text{ mm}^2$ .

- ▶ Bij een bovenbouwmontage van het toestel moet de elektrische aansluitkabel achter het toestel geleid worden.

# INSTALLATIE

## Ingebruikname



### Materiële schade

Zorg er bij aansluiting op een geaard stopcontact (bij toepassing van een elektrische aansluitkabel met stekker) voor dat het geaarde stopcontact na installatie van het toestel vrij toegankelijk is.



### Materiële schade

Houd rekening met de specificaties op het typeplaatje. De aangegeven spanning moet overeenkomen met de netspanning.

- ▶ Sluit de elektrische aansluitkabel conform het elektriciteits-schakelschema aan (zie het hoofdstuk "Technische gegevens / elektriciteitsschakelschema").

## 11. Ingebruikname

### 11.1 Eerste ingebruikname



- ▶ Vul het toestel en tap meerdere keren water af via de kraan tot het leidingnet en het toestel luchtvrij zijn.

- ▶ Voer een dichtheidscontrole uit.
- ▶ Steek de stekker van de elektrische aansluitkabel, als die is toegepast, in het geaarde stopcontact of schakel de zekering in.
- ▶ Controleer de werkmodus van het toestel.
- ▶ Bij een bovenbouwmontage moet u het meegeleverde bedrijfslogo over het bedrijfslogo plakken.

### 11.2 Overdracht van het toestel

- ▶ Leg aan de gebruiker de werking van het toestel uit en maak hem vertrouwd met het gebruik ervan.
- ▶ Wijs de gebruiker op mogelijke gevaren, met name het gevaar voor brandwonden.
- ▶ Overhandig hem deze handleiding.

### 11.3 Opnieuw in gebruik nemen



### Materiële schade

Neem het toestel met de volgende stappen weer in gebruik als de watervoorziening onderbroken is geweest, zodat het blankdraadelement niet kapot gaat.

- ▶ Schakel het toestel spanningsvrij. Trek de stekker van de elektrische aansluitkabel, als die is toegepast, uit het geaarde stopcontact of schakel de zekering uit.
- ▶ Zie hoofdstuk "Eerste ingebruikname".



### 12. Buitendienststelling

- ▶ Koppel het toestel met de zekering los van de huisinstallatie of trek de stekker van de elektrische aansluitkabel uit het stopcontact.
- ▶ Tap het toestel af (zie het hoofdstuk "Onderhoud").

### 13. Storingen verhelpen

Probleem	Oorzaak	Oplossing
Toestel schakelt niet maar de kraan staat open.	De straalregelaar in de kraan is vuil of verkalkt.	Reinig en/of ontkalk de straalregelaar of vervang de speciale straalregelaar.
	De zeef in de koudwaterleiding is verstopt.	Reinig de zeef nadat u de koudwateraanvoerleiding hebt afgesloten.
	Het verwarmingssysteem is defect.	Meet de weerstand van het verwarmingssysteem en vervang zo nodig het toestel.

### 14. Onderhoud



**GEVAAR Elektrische schok**  
Scheid alle polen van het toestel van het elektriciteitsnet voor aanvang van alle werkzaamheden.

#### 14.1 Het toestel aftappen



**GEVAAR voor verschroeïing**  
Tijdens het aftappen kan er heet water uit het toestel lopen.

Ga als volgt te werk als het toestel voor onderhoudswerkzaamheden of als bescherming tegen vorst van de volledige installatie afgetapt moet worden:

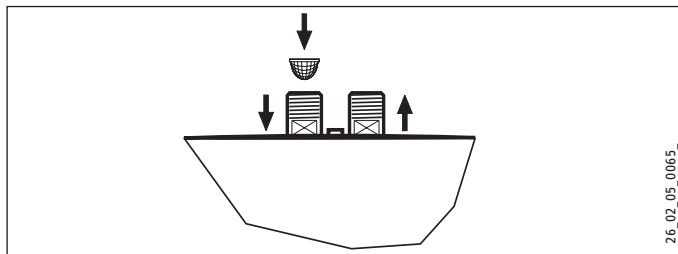
- ▶ Sluit de afsluitklep in de koudwatertoevoerleiding.
- ▶ Open het aftapventiel.
- ▶ Maak de wateraansluitingen van het toestel los.

# INSTALLATIE

## Onderhoud

### 14.2 Zeef reinigen

U kunt de ingebouwde zeef reinigen nadat de koudwateraansluiting is losgekoppeld.



### 14.3 Controles volgens VDE 0701/0702

#### Controle van de aardleiding

- ▶ Controleer de aardleiding (in Duitsland bijv. DGUV A3) op het aardleidingscontact van de elektrische aansluitkabel en bij de aansluitstomp van het toestel.

#### Isolatieweerstand

- ▶ Als een toestel met een nominaal verwarmingsvermogen van > 3,5 kW de isolatieweerstand van 300 kΩ niet bereikt, adviseren we de isolatie-eigenschappen van dit toestel door middel van een verschilstromingmeting van de aardleidingstroom / lekstroom volgens VDE 0701/0702 (afbeelding C.3b) uit te voeren.

### 14.4 Opslag van het toestel

- ▶ Een gedemonteerd toestel moet vorstvrij bewaard worden, want er kan restwater in het toestel zitten dat kan bevriezen en daardoor schade kan veroorzaken.

### 14.5 De elektrische aansluitkabel bij de EIL 6 Trend vervangen

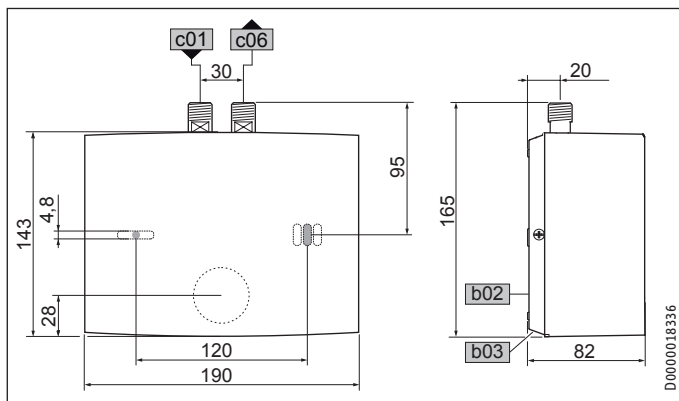
- ▶ Bij de EIL 6 Trend moet bij vervanging een elektrische aansluitkabel met een diameter van 4 mm<sup>2</sup> worden gebruikt.

# INSTALLATIE

## Technische gegevens

### 15. Technische gegevens

#### 15.1 Afmetingen en aansluitingen

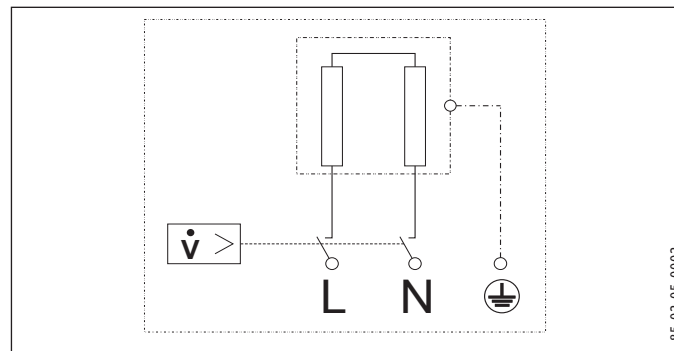


EIL Trend

b02	Doorvoer elektr.kabels I		
b03	Doorvoer elektr.kabels II		
c01	Koudwatertoevoer	Buitendraad	G 3/8 A
c06	Warmwateruitloop	Buitendraad	G 3/8 A

#### 15.2 Schakelschema

1/N/PE ~ 200-240 V

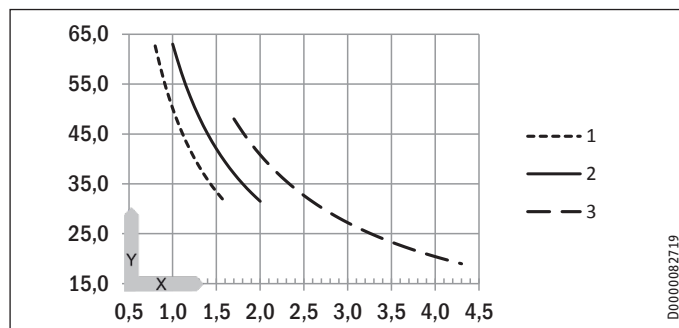


# INSTALLATIE

## Technische gegevens

### 15.3 Temperatuurverhoging

De volgende temperatuurverhogingen zijn beschikbaar bij een spanning van 230 V:



- X Debiet in l/min  
 Y Temperatuurverhoging in K  
 1 3,5 kW - 230 V  
 2 4,4 kW - 230 V  
 3 5,7 kW - 230 V

#### Voorbeeld EIL 3 Trend met 3,5 kW

Debiet	l/min	1,6
Temperatuurverhoging	K	31
Koudwater-toevoertemperatuur	°C	12
Maximaal mogelijke uitlooptemperatuur	°C	43

### 15.4 Toepassingsmogelijkheden

Zie de “Gegevenstabel” voor de specifieke elektrische weerstand en specifieke elektrische geleidbaarheid

Genormeerde waarde bij 15 °C			20 °C			25 °C		
Spec. weerstand $\rho \geq$	Spec. geleidbaarheid $\sigma \leq$		Spec. weerstand $\rho \geq$	Spec. geleidbaarheid $\sigma \leq$		Spec. weerstand $\rho \geq$	Spec. geleidbaarheid $\sigma \leq$	
$\Omega \text{ cm}$	mS/m	$\mu\text{S/cm}$	$\Omega \text{ cm}$	mS/m	$\mu\text{S/cm}$	$\Omega \text{ cm}$	mS/m	$\mu\text{S/cm}$
1100	91	909	970	103	1031	895	112	1117

### 15.5 Gegevens over het energieverbruik

Productgegevensblad: Conventionele warmwaterbereider volgens verordening (EU) nr. 812/2013 | 814/2013

		EIL 4 Trend	EIL 6 Trend
		200143	200144
Fabrikant		STIEBEL ELTRON	STIEBEL ELTRON
Lastprofiel		XXS	XXS
Energierendementsklasse		A	A
Energierendement	%	39	39
Jaarlijks stroomverbruik	kWh	478	478
Geluidsniveau	dB(A)	15	15
Bijzondere voorschriften voor efficiëntie-meting		geen	geen
Dagelijks stroomverbruik	kWh	2,200	2,200

# INSTALLATIE

## Technische gegevens

### 15.6 Gegevenstabel

		EIL 3 Trend				EIL 4 Trend				EIL 6 Trend			
		200142				200143				200144			
Elektrische gegevens													
Nominale spanning	V	200	220	230	240	200	220	230	240	200	220	230	240
Nominaal vermogen	kW	2,7	3,2	3,53	3,8	3,3	4,0	4,4	4,8	4,3	5,2	5,7	6,2
Nominale stroom	A	13,3	14,5	15,2	15,8	16,7	18,2	19,1	20	21,6	23,6	24,7	25,8
Zekering	A	16				20				25	25	25	32
Frequentie	Hz	50/60				50/60				50/60			
Fasen		1/N/PE				1/N/PE				1/N/PE			
Max. netimpedantie bij 50Hz	$\Omega$									0,394	0,377	0,361	
Specifieke weerstand $\rho_{15} \geq$	$\Omega$ cm	1100				1100				1100			
Specifieke geleidbaarheid $\sigma_{15} \leq$	$\mu S/cm$	909				909				909			
Aansluitingen													
Wateraansluiting		G 3/8 A				G 3/8 A				G 3/8 A			
Werkingsgebied													
Max. toegelaten druk	MPa	0				0				0			
Waarden													
Max. toegelaten toevoertemperatuur	$^{\circ}C$	15				15				35			
Aan	l/min	> 1,0				> 1,3				> 2,6			
Drukverlies bij debiet	MPa	0,06				0,07				0,08			
Debiet voor drukverlies	l/min	1,0				1,3				2,6			
Debietbegrenzing bij	l/min	1,6				2,0				4,3			
Warmwateraanbieding	l/min	1,6				2,0				2,6			
$\Delta\theta$ bij aanbieding	K	31				31				31			
Hydraulische gegevens													
Nominale inhoud	l	0,1				0,1				0,1			

# INSTALLATIE

## Technische gegevens

		EIL 3 Trend	EIL 4 Trend	EIL 6 Trend
<b>Uitvoeringen</b>				
Montage boven het aftappunt		X	X	X
Montage onder het aftappunt		X	X	X
Uitvoering open		X	X	X
Beveiligingsklasse		1	1	1
Isolatieblok		Kunststof	Kunststof	Kunststof
Verwarmingssysteem warmteopwekker		Blankdraad	Blankdraad	Blankdraad
Kap en achterwand		Kunststof	Kunststof	Kunststof
Kleur		wit	wit	wit
Beschermingsgraad (IP)		IP 25	IP 25	IP 25
<b>Afmetingen</b>				
Hoogte	mm	143	143	143
Breedte	mm	190	190	190
Diepte	mm	82	82	82
Lengte aansluitkabel	mm	700	700	700
<b>Gewichten</b>				
Gewicht	Kg	1,4	1,4	1,4



### Info

Het toestel voldoet aan IEC 61000-3-12.

## Garantie

Voor toestellen die buiten Duitsland zijn gekocht, gelden de garantievoorwaarden van onze Duitse ondernemingen niet. Bovendien kan in landen waar één van onze dochtermaatschappijen verantwoordelijk is voor de verkoop van onze producten, alleen garantie worden verleend door deze dochtermaatschappij. Een dergelijk garantie wordt alleen verstrekt, wanneer de dochtermaatschappij eigen garantievoorwaarden heeft gepubliceerd. In andere situaties wordt er geen garantie verleend.

Voor toestellen die in landen worden gekocht waar wij geen dochtermaatschappijen hebben die onze producten verkopen, verlenen wij geen garantie. Een eventueel door de importeur verzekerde garantie blijft onverminderd van kracht.

## Milieu en recycling

Wij verzoeken u ons te helpen ons milieu te beschermen. Doe de materialen na het gebruik weg overeenkomstig de nationale voorschriften.



## ZVLÁŠTNÍ POKYNY

### OBSLUHA

<b>1. Obecné pokyny</b>	<b>66</b>
1.1 Bezpečnostní pokyny	66
1.2 Jiné symboly použité v této dokumentaci	67
1.3 Měrné jednotky	67
<b>2. Zabezpečení</b>	<b>68</b>
2.1 Správné používání	68
2.2 Všeobecné bezpečnostní pokyny	68
2.3 Kontrolní symbol	69
<b>3. Popis přístroje</b>	<b>69</b>
<b>4. Nastavení</b>	<b>69</b>
<b>5. Čištění, péče a údržba</b>	<b>70</b>
<b>6. Odstranění problémů</b>	<b>70</b>

### INSTALACE

<b>7. Zabezpečení</b>	<b>71</b>
7.1 Všeobecné bezpečnostní pokyny	71
7.2 Předpisy, normy a ustanovení	71
<b>8. Popis přístroje</b>	<b>71</b>
8.1 Rozsah dodávky	71
8.2 Příslušenství	72
<b>9. Příprava</b>	<b>72</b>
<b>10. Montáž</b>	<b>72</b>
10.1 Místo montáže	72
10.2 Alternativy montáže	73

10.3 Připojení přívodu elektrické energie	75
<b>11. Uvedení do provozu</b>	<b>76</b>
11.1 První uvedení do provozu	76
11.2 Předání přístroje	76
11.3 Opětovné uvedení do provozu	76
<b>12. Uvedení mimo provoz</b>	<b>77</b>
<b>13. Odstraňování poruch</b>	<b>77</b>
<b>14. Údržba</b>	<b>77</b>
14.1 Vypuštění přístroje	77
14.2 Vyčištění sítka	78
14.3 Kontroly podle VDE 0701/0702	78
14.4 Uložení přístroje	78
14.5 Výměna přívodního vedení u EIL 6 Trend	78
<b>15. Technické údaje</b>	<b>79</b>
15.1 Rozměry a přípojky	79
15.2 Schéma elektrického zapojení	79
15.3 Zvýšení teploty	80
15.4 Oblasti použití	80
15.5 Údaje ke spotřebě energie	81
15.6 Tabulka údajů	81

### ZÁRUKA

### ŽIVOTNÍ PROSTŘEDÍ A RECYKLACE

## ZVLÁŠTNÍ POKYNY

- Přístroj smí používat děti od 3 let a osoby se sníženými fyzickými, senzorickými nebo mentálními schopnostmi nebo s nedostatečnými zkušenostmi a znalostmi pouze pod dozorem, nebo poté, co byly poučeny o bezpečném používání přístroje a jsou si vědomy nebezpečí, která z jeho používání plynou. Nenechávejte děti, aby si s přístrojem hrály. Čištění a uživatelskou údržbu nesmějí provádět děti bez dozoru.
- Armatura může během provozu dosáhnout teploty vyšší než 50 °C. Pokud je teplota na výtoku vyšší než 43 °C, hrozí nebezpečí opaření.
- Přístroj není vhodný k zásobování sprchy (provoz sprchy).
- Přístroj musí být možné odpojit od síťové přípojky na všech pólech na vzdálenost nejméně 3 mm.
- Uvedené napětí se musí shodovat se síťovým napětím.
- Přístroj musí být trvale připojen k pevné kabeláži, výjimka EIL 3 Trend.
- Přívodní kabel smí při poškození nebo při výměně nahradit originálním náhradním dílem pouze autorizovaný servis s oprávněním výrobce.
- Upevněte přístroj způsobem popsáním v kapitole „Instalace / Montáž“.
- Dodržujte maximální přípustný tlak (viz kapitola „Technické údaje/Tabulka s technickými údaji“).

- Nesmí být nedosažena hodnota měrného odporu vody z vodovodní sítě (viz kapitola „Instalace / Technické údaje / Tabulka s technickými údaji“).
- Vypusťte přístroj způsobem podle popisu v kapitole „Instalace / Údržba / Vypuštění přístroje“.

## OBSLUHA

### 1. Obecné pokyny

Kapitoly „Zvláštní pokyny“ a „Obsluha“ jsou určeny uživatelům přístroje a instalačním technikům.

Kapitola „Instalace“ je určena instalačním technikům.



#### Upozornění

Dříve, než zahájíte provoz, si pozorně přečtěte tento návod a pečlivě jej uschovejte.

Případně předejte návod dalšímu uživateli.

### 1.1 Bezpečnostní pokyny

#### 1.1.1 Struktura bezpečnostních pokynů






#### UVOZUJÍCÍ SLOVO - Druh nebezpečí

Zde jsou uvedeny možné následky nedodržení bezpečnostních pokynů.

► Zde jsou uvedena opatření k odvrácení nebezpečí.

### 1.1.2 Symboly, druh nebezpečí

Symbol	Druh nebezpečí
	Úraz
	Úraz elektrickým proudem
	Popálení (popálení, opaření)

### 1.1.3 Uvozující slova

UVOZUJÍCÍ SLOVO	Význam
NEBEZPEČÍ	Pokyny, jejichž nedodržení má za následek vážné nebo smrtelné úrazy.
VÝSTRAHA	Pokyny, jejichž nedodržení může mít za následek vážné nebo smrtelné úrazy.
POZOR	Pokyny, jejichž nedodržení může mít za následek středně vážné nebo lehké úrazy.



### 1.2 Jiné symboly použité v této dokumentaci



#### Upozornění

Pokyny jsou odděleny vodorovnými čarami nad a pod textem. Obecné pokyny jsou označeny symbolem zobrazeným vedle.

► Texty upozornění čtěte pečlivě.

Symbol	Význam
	Věcné škody (poškození přístroje, následně škody, poškození životního prostředí)
	Likvidace přístroje

► Tento symbol vás vyzývá k určitému jednání. Potřebné úkony jsou popsány po jednotlivých krocích.

### 1.3 Měrné jednotky



#### Upozornění

Pokud není stanoveno jinak, jsou rozměry uvedeny v milimetrech.

## 2. Zabezpečení

### 2.1 Správné používání

Přístroj slouží k ohřevu pitné vody. Přístroj je určen pro umyvadlo k mytí rukou.

Přístroj je určen k použití v domácnostech. Mohou jej tedy bezpečně obsluhovat neškolené osoby. Lze jej používat i mimo domácnosti, např. v drobném průmyslu, pokud je provozován stejným způsobem jako v domácnostech.

Jiné použití nebo použití nad rámec daného rozsahu je považováno za použití v rozporu s určením. K použití v souladu s určením patří také dodržování tohoto návodu a návodů k používanému příslušenství.

### 2.2 Všeobecné bezpečnostní pokyny



#### NEBEZPEČÍ - opaření

Armatura může během provozu dosáhnout teploty vyšší než 50 °C.

Pokud je teplota na výtoku vyšší než 43 °C, hrozí nebezpečí opaření.



#### VÝSTRAHA úraz

Přístroj smějí používat děti od 3 let a osoby se sníženými fyzickými, sensorickými nebo mentálními schopnostmi nebo s nedostatkem zkušeností a znalostí pouze pod dozorem, nebo po poučení o bezpečném použití přístroje, a poté, co porozuměly nebezpečí, která z jeho použití plynou. Nenechávejte děti, aby si s přístrojem hrály. Čištění a uživatelskou údržbu nesmějí provádět děti bez dozoru.



#### NEBEZPEČÍ - úraz elektrickým proudem

Poškozené elektrické přívodní vedení smí vyměnit pouze autorizovaný servis. Tím je vyloučeno možné ohrožení.



#### Věcné škody

Chraňte přístroj a armaturu před mrazem.

**Věcné škody**

Dbejte, aby beztlakový přístroj nebyl vystaven tlaku.

V opačném případě by mohlo dojít k jeho poškození:

- ▶ Používejte jen dodaný speciální regulátor průtoku.
- ▶ Nepoužívejte perlátory ani hadice s regulací průtoku vody.
- ▶ Nikdy neuzavírejte výtok z armatury.
- ▶ Zamezte výskytu vodního kamene na výtocích z armatur (viz kapitola „Čištění, ošetřování a údržba“).

### 2.3 Kontrolní symbol

Viz typový štítek na přístroji.

## 3. Popis přístroje

Hydraulicky řízený, beztlakový malý průtokový ohřívač vody ohřívá vodu přímo na odběrném místě. Při otevření armatury se automaticky zapne ohřev. Vzhledem ke krátkým rozvodům vznikají malé ztráty energie a vody.

Výkon ohřevu vody závisí na teplotě studené vody, topném výkonu a průtoku.

Topný systém s holou spirálou je určen pro vodu s nízkým nebo běžným obsahem vodního kamene. Systém ohřevu je do značné míry odolný vůči usazování vápníku. Topný systém zajišťuje rychlou a efektivní přípravu teplé vody k umyvadlu.

Vestavěním dodaného speciálního regulátoru průtoku dosáhnete optimálního průtoku vody.

## 4. Nastavení

Jakmile otevřete teplovodní ventil na armatuře nebo aktivujete senzor senzorové armatury, topný systém přístroje se automaticky zapne. Voda se ohřívá. Teplotu vody lze upravovat armaturou.

Množství k zapnutí viz kapitola „Technické údaje/Tabulka s technickými údaji/Zapnuto“.

### Zvýšení teploty

- ▶ Průtok omezte na armatuře.

### Snížení teploty

- ▶ Otevřete více armaturu nebo přimíchejte více studené vody.

### Po přerušení přívodu vody

Viz kapitola „Uvedení do provozu/Opětovné uvedení do provozu“.

## 5. Čištění, péče a údržba

- ▶ Nepoužívejte abrazivní čisticí prostředky nebo prostředky obsahující rozpouštědla. K ošetřování a údržbě přístroje stačí vlhká textilie.



### Věcné škody

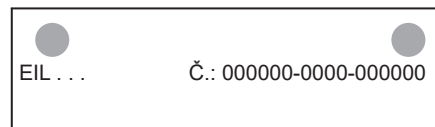
Výskyt vodního kamene na výtocích z armatury může vyvolat přístroj tlaku a případně jej poškodit.

- ▶ Kontrolujte pravidelně armatury. Vodní kámen na výtocích z armatury odstraňte běžnými prostředky k odstranění vodního kamene.
- ▶ Nechejte odborníka pravidelně provést kontrolu elektrické bezpečnosti přístroje.
- ▶ Zbavte speciální regulátor průtoku v armatuře vodního kamene nebo jej pravidelně vyměňujte (viz kapitola „Popis přístroje / příslušenství“).

## 6. Odstranění problémů

Problém	Příčina	Odstranění
I když je ventil teplé vody zcela otevřen, přístroj se nezapne.	Výpadek napájení přístroje.	Zkontrolujte pojistky vnitřní instalace.
	Regulátor průtoku v armatuře je zanesen vodním kamenem nebo je znečištěn.	Očistěte speciální regulátor průtoku a/nebo zbavte jej vodního kamene či vyměňte.
	Je přerušen přívod vody.	Odvzdušněte přístroj a přívod studené vody (viz kapitola „Uvedení do provozu/Opětovné uvedení do provozu“).

Pokud nelze příčinu odstranit, kontaktujte odborníka. K získání lepší a rychlejší pomoci sdělte číslo z typového štítku (000000-0000-00000).



# INSTALACE

## 7. Zabezpečení

Instalaci, uvedení do provozu, údržbu a opravy přístroje smí provádět pouze autorizovaný servis.

### 7.1 Všeobecné bezpečnostní pokyny

Řádnou funkci a spolehlivý provoz lze zaručit pouze v případě použití původního příslušenství a originálních náhradních dílů určených pro tento přístroj.



#### Věcné škody

Dodržujte maximální teplotu přítoku. Při vyšších teplotách může dojít k poškození přístroje. Vstupní teplotu lze snížit pomocí centrální termostatické armatury.



#### Věcné škody

Přístroj provozujte pouze s beztlakovými armaturami.

## 7.2 Předpisy, normy a ustanovení



### Upozornění

Dodržujte všechny národní a místní předpisy a ustanovení.

Měrný elektrický odpor vody nesmí být menší než hodnota uvedená na typovém štítku. V případě propojení několika vodovodních sítí musíte vzít v úvahu nejnižší elektrický odpor vody (viz kapitolu „Technické údaje/Tabulka s technickými údaji“). Hodnoty měrného elektrického odporu vody nebo elektrické vodivosti vody zjistíte u vašeho dodavatele vody.

## 8. Popis přístroje

### 8.1 Rozsah dodávky

Spolu s přístrojem je dodáváno:

- Sítko v přívodu studené vody
- Speciální regulátor průtoku
- Firemní logo pro montáž nad umyvadlo



### 8.2 Příslušenství

#### Speciální regulátor průtoku



#### Upozornění

Vestavěním dodaného speciálního regulátoru průtoku do armatury dosáhnete optimálního průtoku vody.

#### Beztlaké armatury

- MAW (OT) Nástěnná armatura pro montáž nad umyvadlo
- MAZ (UT) Dvoukohoutková armatura pro umyvadlo
- MAE-W (UTE) Páková armatura pro umyvadlo

## 9. Příprava

- ▶ Důkladně vypláchněte vodovodní vedení.

#### Vodovodní instalace

Pojistný ventil není nutný.

#### Armatury

- ▶ Použijte vhodné armatury (viz kapitolu „Popis přístroje / Příslušenství“).

## 10. Montáž

### 10.1 Místo montáže

Přístroj namontujte v prostorách, ve kterých nedochází k poklesu teploty pod bod mrazu, v blízkosti odběrné armatury.

Pamatujte na přístupnost bočních upevňovacích šroubů krytů.

Přístroj je vhodný pro montáž pod umyvadlem (vodovodní přípojky nahoře) a pro montáž nad umyvadlem (vodovodní přípojky dole).



**NEBEZPEČÍ - úraz elektrickým proudem**

**Krytí IP25 je zaručeno jen tehdy, pokud je namontována zadní stěna přístroje.**

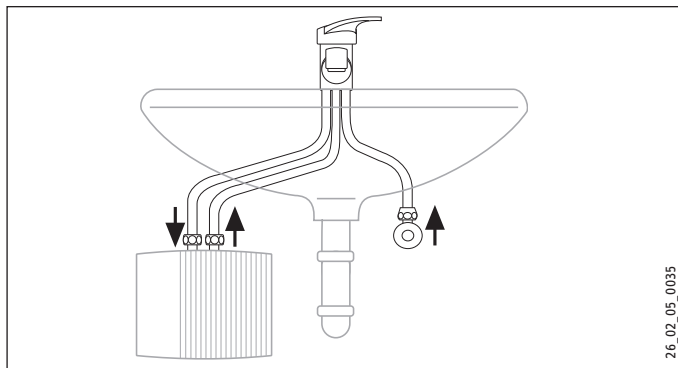
- ▶ Vždy namontujte zadní stěnu přístroje.

# INSTALACE

## Montáž

### 10.2 Alternativy montáže

#### 10.2.1 Montáž pod umyvadlo, beztlaková, s beztlakovou armaturou



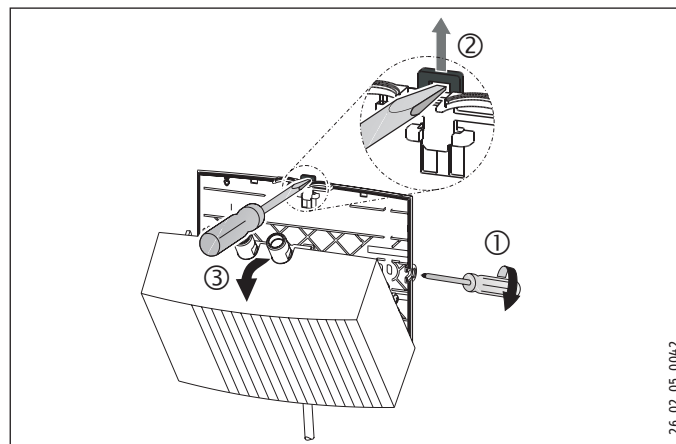
#### 10.2.2 Montáž přístroje



##### Upozornění

Stěna musí mít dostatečnou nosnost.

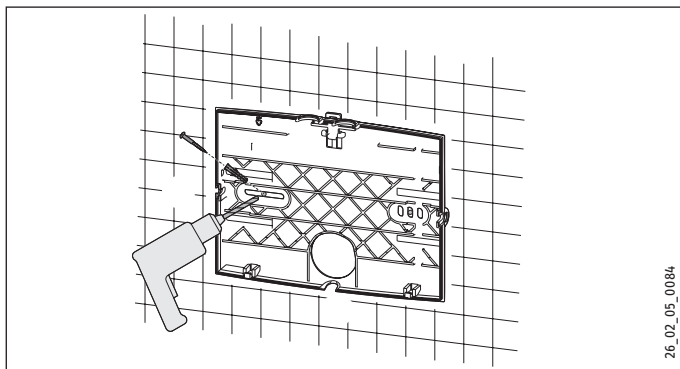
- ▶ Namontujte přístroj na stěnu.



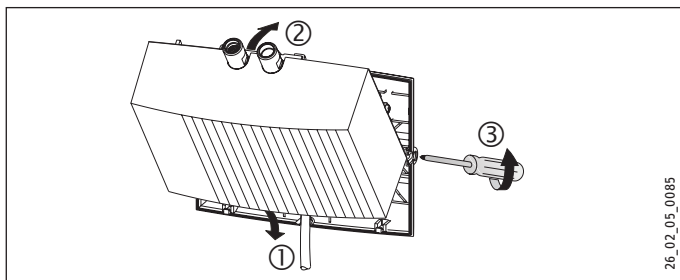
- ▶ Uvolněte upevňovací šrouby víka o dvě otáčky.
- ▶ Odblokujte západku šroubovákem.
- ▶ Sejměte víko přístroje s topným systémem směrem dopředu.
- ▶ Vylomte kleštěmi průchozí otvor ve víku přístroje pro elektrické přívodní vedení. V případě potřeby upravte okraj pilníkem.

# INSTALACE

## Montáž



- ▶ Jako vrtací šablonu použijte zadní stěnu přístroje.
- ▶ Připevněte zadní stěnu přístroje vhodnými hmoždinkami a šrouby ke stěně.



- ▶ Protáhněte elektrické přívodní vedení průchodkou v zadní stěně.

- ▶ Zavěste víko přístroje s topným systémem dole.
- ▶ Zatlačte topný systém do západky.
- ▶ Upevněte víko přístroje šrouby k uchycení víka.

### Montáž armatury



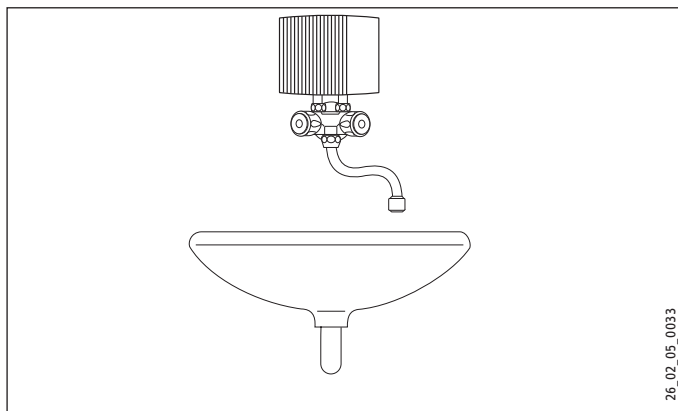
#### Věcné škody

- ▶ Při montáži všech přípojek je nutné na přístroji použít k přidržování klíč SW 14.
- ▶ Namontujte armaturu. Dodržujte přitom návod k obsluze a instalaci armatury.

# INSTALACE

## Montáž

### 10.2.3 Montáž pod umyvadlem, beztlaková, s beztlakovou armaturou



#### Montáž armatury



#### Věcné škody

- ▶ Při montáži všech přípojek musíte na přístroji použít k přidržování klíč SW 14.
- ▶ Namontujte armaturu. Dodržujte přitom návod k obsluze a instalaci armatury.

#### Montáž přístroje

- ▶ Namontujte přístroj s vodovodními přípojkami k armatuře.

### 10.3 Připojení přívodu elektrické energie



#### NEBEZPEČÍ - úraz elektrickým proudem

Veškerá elektrická zapojení a instalace provádějte podle předpisů.



#### NEBEZPEČÍ - úraz elektrickým proudem

Pamatujte, že přístroj musí být připojen k ochrannému vodiči.

Přístroj musí být možné odpojit od síťové přípojky na všech pólech na vzdálenost nejméně 3 mm.



#### NEBEZPEČÍ - úraz elektrickým proudem

Přístroje jsou v dodaném stavu vybaveny elektrickým přívodním vedením (EIL 3 Trend se zástrčkou).

Připojení k pevnému elektrickému rozvodu je možné, pokud má průřez minimálně odpovídající standardnímu napájecímu kabelu přístroje. Maximální možný průřez vedení je 3 x 6 mm<sup>2</sup>.

- ▶ Při montáži přístroje nad umyvadlo musíte vést elektrické přívodní vedení za přístrojem.



#### Věcné škody

Při připojení do zásuvky s ochranným kontaktem (jde-li o přívodní vedení se zástrčkou) dbejte na to, aby zásuvka po instalaci přístroje byla volně přístupná.



#### Věcné škody

Dodržujte údaje uvedené na typovém štítku. Uvedené napětí se musí shodovat se síťovým napětím.

- ▶ Elektrické přívodní vedení zapojte podle schématu elektrického zapojení (viz kapitola „Technické údaje/Schéma elektrického zapojení“).

## 11. Uvedení do provozu

### 11.1 První uvedení do provozu



- ▶ Naplňte přístroj opakovaným odběrem vody na armatuře, dokud nejsou rozvodná síť a přístroj zbaveny vzduchu.
- ▶ Proveďte kontrolu těsnosti.

- ▶ Zasuňte zástrčku přívodního vedení, pokud je k dispozici, do zásuvky s ochranným kontaktem, nebo aktivujte pojistku.
- ▶ Zkontrolujte funkci přístroje.
- ▶ Při montáži nad umyvadlem musíte firemní logo přelepit přiloženým firemním logem.

### 11.2 Předání přístroje

- ▶ Vysvětlete uživateli funkci přístroje a seznamte ho se způsobem jeho užívání.
- ▶ Upozorněte uživatele na možná rizika, především na nebezpečí opaření.
- ▶ Předajte tento návod.

### 11.3 Opětné uvedení do provozu



#### Věcné škody

Po přerušení dodávky vody musíte přístroj opětovně uvést do provozu pomocí následujících kroků, aby nedošlo k poškození topného systému s holou spirálou.

- ▶ Odpojte přístroj od napětí. Za tímto účelem odpojte zástrčku elektrického přívodního vedení, je-li k dispozici, nebo vypněte pojistku.
- ▶ Viz kapitola „Prvotní uvedení do provozu“.

### 12. Uvedení mimo provoz

- ▶ Odpojte přístroj pojistkou v domovní instalaci od elektrického proudu nebo odpojte zástrčku přívodního kabelu.
- ▶ Vypusťte vodu z přístroje (viz kapitolu „Údržba“).

### 13. Odstraňování poruch

Problém	Příčina	Odstranění
I když je ventil teplé vody zcela otevřen, přístroj se nezapne.	Regulátor průtoku v armatuře je zanesen vodním kamenem nebo je znečištěn.	Očistěte speciální regulátor průtoku a/nebo zbavte jej vodního kamene či vyměňte.
	Sítka v přívodu studené vody je ucpané.	Uzavřete přívod studené vody a vyčistěte sítko.
	Topný systém je vadný.	Změřte odpor topného systému, případně přístroj vyměňte.

### 14. Údržba



**NEBEZPEČÍ - úraz elektrickým proudem**  
Při všech činnostech odpojte přístroj na všech pólech od sítě.

#### 14.1 Vypuštění přístroje



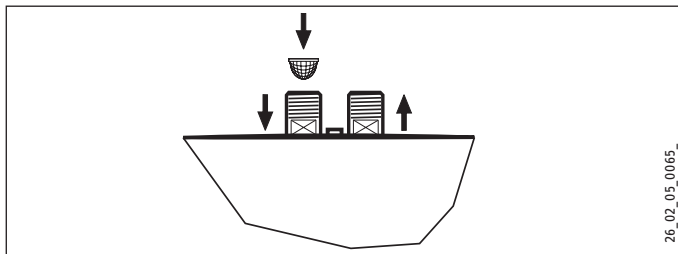
**NEBEZPEČÍ - opaření**  
Při vypouštění může vytékat horká voda.

Pokud je nutné přístroj z důvodu údržby nebo při nebezpečí zamrznutí z důvodu ochrany kompletní instalace vyprázdnit, postupujte takto:

- ▶ Uzavřete ventil na přívodu studené vody.
- ▶ Otevřete odběrný ventil.
- ▶ Odpojte od přístroje vodovodní přípojky.

### 14.2 Vyčistění sítka

Vestavěné sítko lze vyčistit po demontáži přívodu studené vody.



### 14.3 Kontroly podle VDE 0701/0702

#### Kontrola ochranného vodiče

- ▶ Zkontrolujte ochranný vodič (v Německu např. DGUV A3) na kontaktu ochranného vodiče a na přípojovacích hrdlech přístroje.

#### Izolační odpor

- ▶ Pokud by přístroj se jmenovitým topným výkonem > 3,5 kW nedosáhl izolačního odporu 300 kΩ, doporučujeme zkontrolovat izolační vlastnosti tohoto přístroje měřením rozdílového proudu ochranného vodiče / svodového proudu podle VDE 0701/0702 (obrázek C.3b).

### 14.4 Uložení přístroje

- ▶ Demontovaný přístroj skladujte tak, aby byl chráněn před mrazem. Případně zbytky vody v přístroji mohou zmrznout a způsobit škody.

### 14.5 Výměna přívodního vedení u EIL 6 Trend

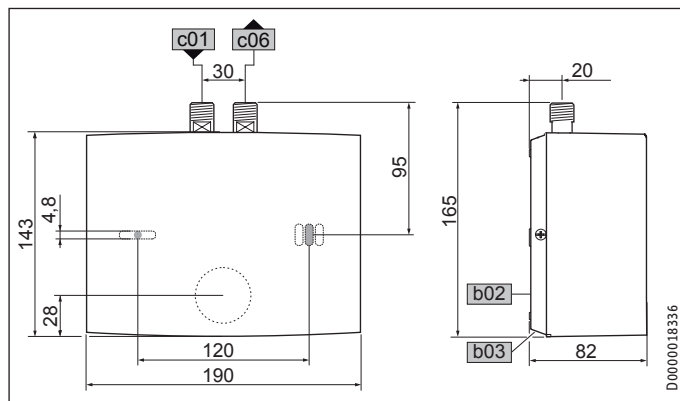
- ▶ U EIL 6 Trend musíte v případě výměny použít elektrické přívodní vedení s průřezem 4 mm<sup>2</sup>.

# INSTALACE

## Technické údaje

### 15. Technické údaje

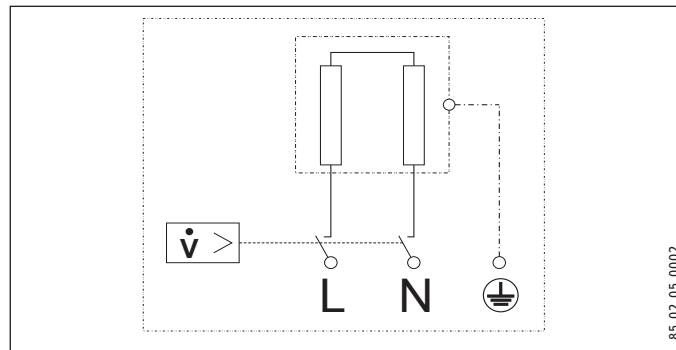
#### 15.1 Rozměry a přípojky



		EIL Trend
b02	Průchodka el. rozvodu I	
b03	Průchodka el. vodičů II	
c01	Vstup studené vody	Vnější závit G 3/8 A
c06	Výstup teplé vody	Vnější závit G 3/8 A

#### 15.2 Schéma elektrického zapojení

1/N/PE ~ 200-240 V



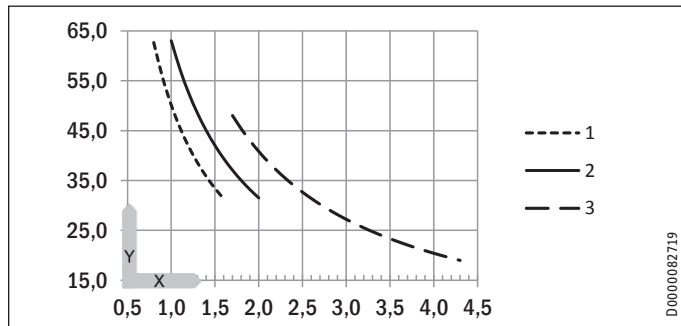


# INSTALACE

## Technické údaje

### 15.3 Zvýšení teploty

Při napětí 230 V dochází k následujícímu zvýšení teploty:



- X Průtok v l/min  
 Y Zvýšení teploty v K  
 1 3,5 kW - 230 V  
 2 4,4 kW - 230 V  
 3 5,7 kW - 230 V

#### Příklad EIL 3 Trend s 3,5 kW

Objemový proud	l/min	1,6
Zvýšení teploty	K	31
Teplota přiváděné studené vody	°C	12
Maximální možná teplota na výstupu	°C	43

### 15.4 Oblasti použití

Měrný elektrický odpor a měrná elektrická vodivost viz „Tabulka s technickými údaji“

Údaj podle normy při 15 °C			20 °C			25 °C		
Spe- cifický odpor $\rho \geq$	Specifická vodi- vost $\sigma \leq$	$\mu S/cm$	Spe- cifický odpor $\rho \geq$	Specifická vodi- vost $\sigma \leq$	$\mu S/cm$	Spe- cifický odpor $\rho \geq$	Specifická vodi- vost $\sigma \leq$	$\mu S/cm$
$\Omega cm$	mS/m	$\mu S/cm$	$\Omega cm$	mS/m	$\mu S/cm$	$\Omega cm$	mS/m	$\mu S/cm$
1100	91	909	970	103	1031	895	112	1117

# INSTALACE

## Technické údaje

### 15.5 Údaje ke spotřebě energie

List technických údajů k výrobku: Běžné zařízení k přípravě teplé vody v souladu s nařízením (EU) č. 812/2013 | 814/2013

		EIL 4 Trend		EIL 6 Trend	
		200143		200144	
Výrobce		STIEBEL ELTRON		STIEBEL ELTRON	
Zátěžový profil		XXS		XXS	
Třída energetické účinnosti		A		A	
Energetická účinnost	%	39		39	
Roční spotřeba el. energie	kWh	478		478	
Hladina akustického výkonu	dB(A)	15		15	
Zvláštní pokyny k měření účinnosti		žádné		žádné	
Denní spotřeba el. energie	kWh	2,200		2,200	

### 15.6 Tabulka údajů

		EIL 3 Trend				EIL 4 Trend				EIL 6 Trend			
		200142				200143				200144			
Elektrotechnické údaje													
Jmenovité napětí	V	200	220	230	240	200	220	230	240	200	220	230	240
Jmenovitý výkon	kW	2,7	3,2	3,53	3,8	3,3	4,0	4,4	4,8	4,3	5,2	5,7	6,2
Jmenovitý proud	A	13,3	14,5	15,2	15,8	16,7	18,2	19,1	20	21,6	23,6	24,7	25,8
Jištění	A	16				20				25	25	25	32
Frekvence	Hz	50/60				50/60				50/60			
Fáze		1/N/PE				1/N/PE				1/N/PE			
Max. impedance sítě při 50 Hz	Ω									0,394	0,377	0,361	
Specifický odpor ρ15 ≥	Ω cm	1100				1100				1100			
Specifická vodivost σ15 ≤	μS/cm	909				909				909			

# INSTALACE

## Technické údaje

		EIL 3 Trend	EIL 4 Trend	EIL 6 Trend
<b>Přípojky</b>				
Vodovodní přípojka		G 3/8 A	G 3/8 A	G 3/8 A
<b>Meze použitelnosti</b>				
Max. dovolený tlak	MPa	0	0	0
<b>Hodnoty</b>				
Max. povolená vstupní teplota vody	°C	15	15	35
Zap	l/min	> 1,0	> 1,3	> 2,6
Tlakové ztráty při objemovém průtoku	MPa	0,06	0,07	0,08
Objemový průtok pro tlakovou ztrátu	l/min	1,0	1,3	2,6
Omezení průtoku při	l/min	1,6	2,0	4,3
Výkon teplé vody	l/min	1,6	2,0	2,6
$\Delta\theta$ při výkonu teplé vody	K	31	31	31
<b>Údaje o hydraulickém systému</b>				
Jmenovitý objem	l	0,1	0,1	0,1
<b>Provedení</b>				
Způsob montáže nad umyvadlo		X	X	X
Způsob montáže pod umyvadlo		X	X	X
Beztlakové provedení		X	X	X
Třída krytí		1	1	1
Izolační blok		plast	plast	plast
Zdroj tepla topného systému		holá spirála	holá spirála	holá spirála
Víko a zadní stěna		plast	plast	plast
Barva		bílá	bílá	bílá
Krytí (IP)		IP 25	IP 25	IP 25
<b>Rozměry</b>				
Výška	mm	143	143	143
Šířka	mm	190	190	190
Hloubka	mm	82	82	82
Délka přívodního kabelu	mm	700	700	700

Hmotnosti		EIL 3 Trend	EIL 4 Trend	EIL 6 Trend
Hmotnost	kg	1,4	1,4	1,4



## Upozornění

Přístroj vyhovuje normě IEC 61000-3-12.

## Záruka

Pro přístroje nabyté mimo území Německa neplatí záruční podmínky poskytované našimi firmami v Německu. V zemích, ve kterých některá z našich dceřiných společností distribuuje naše výrobky, poskytuje záruku jenom tato dceřiná společnost. Takovou záruku lze poskytnout pouze tehdy, pokud dceřiná společnost vydala vlastní záruční podmínky. Jinak nelze záruku poskytnout.

Na přístroje zakoupené v zemích, ve kterých nejsou naše výrobky distribuovány žádnou z dceřiných společností, neposkytujeme žádnou záruku. Případné záruky závazně přislíbené dovozcem zůstávají proto nedotčené.

## Životní prostředí a recyklace

Pomozte nám chránit naše životní prostředí. Materiály po použití zlikvidujte v souladu s platnými národními předpisy.

## ŠPECIÁLNE POKYNY

### OBSLUHA

<b>1. Všeobecné pokyny</b>	<b>86</b>
1.1 Bezpečnostné pokyny	86
1.2 Iné označenia v tejto dokumentácii	87
1.3 Rozmerové jednotky	87
<b>2. Bezpečnosť</b>	<b>88</b>
2.1 Použitie v súlade s určením	88
2.2 Všeobecné bezpečnostné pokyny	88
2.3 Certifikačné značky	89
<b>3. Popis zariadenia</b>	<b>89</b>
<b>4. Nastavenia</b>	<b>89</b>
<b>5. Čistenie, ošetrovanie a údržba</b>	<b>90</b>
<b>6. Odstraňovanie problémov</b>	<b>90</b>

### INŠTALÁCIA

<b>7. Bezpečnosť</b>	<b>91</b>
7.1 Všeobecné bezpečnostné pokyny	91
7.2 Predpisy, normy a ustanovenia	91
<b>8. Popis zariadenia</b>	<b>91</b>
8.1 Rozsah dodávky	91
8.2 Príslušenstvo	92
<b>9. Prípravy</b>	<b>92</b>
<b>10. Montáž</b>	<b>92</b>
10.1 Miesto montáže	92
10.2 Alternatívy montáže	93

10.3 Vytvorenie elektrickej prípojky	95
<b>11. Uvedenie do prevádzky</b>	<b>96</b>
11.1 Prvé uvedenie do prevádzky	96
11.2 Odovzdanie zariadenia	96
11.3 Opätovné uvedenie do prevádzky	96
<b>12. Vyraďenie z prevádzky</b>	<b>97</b>
<b>13. Odstraňovanie porúch</b>	<b>97</b>
<b>14. Údržba</b>	<b>97</b>
14.1 Vypustenie zariadenia	97
14.2 Vyčistite sitko	98
14.3 Kontroly podľa VDE 0701/0702	98
14.4 Skladovanie prístroja	98
14.5 Výmena elektrických napájacích káblov na module EIL 6 Trend	98
<b>15. Technické údaje</b>	<b>99</b>
15.1 Rozmery a prípojky	99
15.2 Elektrická schéma zapojenia	99
15.3 Zvýšenie teploty	100
15.4 Oblasť použitia	100
15.5 Údaje k spotrebe energie	101
15.6 Tabuľka s údajmi	101

### ZÁRUKA

### ŽIVOTNÉ PROSTREDIE A RECYKLÁCIA

## ŠPECIÁLNE POKYNY

- Deti od 3 rokov ako aj osoby so zníženými fyzickými, senzorickými či mentálnymi schopnosťami, alebo osoby s nedostatočnými skúsenosťami a vedomosťami môžu zariadenie používať pod dozorom, prípadne ak boli o bezpečnom používaní zariadenia poučené a porozumeli z toho vyplývajúcim nebezpečenstvám. Deti sa so zariadením nesmú hrať. Čistenie a používateľskú údržbu nesmú vykonávať deti bez dozoru.
- Armatúra môže počas prevádzky nadobudnúť teplotu viac ako 50 °C. Pri výtokových teplotách vyšších než 43 °C vzniká nebezpečenstvo obarenia.
- Prístroj nie je vhodný na zásobovanie sprchy (sprchový režim).
- Zariadenie sa musí dať odpojiť od siete všetkými pólmi s minimálnou odpojovacou vzdialenosťou 3 mm.
- Uvedené napätie sa musí zhodovať so sieťovým napätím.
- Prístroj musí byť trvalo pripojený na pevnú kabeláž, s výnimkou modulu EIL 3 Trend.
- Pri poškodení alebo výmene môže sieťový pripojovací kábel nahradiť originálnym náhradným dielom iba odborný inštalatér oprávnený výrobcom.
- Upevnite prístroj tak, ako je popísané v kapitole „Inštalácia / Montáž“.
- Dodržiavajte maximálny prípustný tlak (pozri kapitolu Technické údaje / Tabuľka s údajmi).
- Nesmie dôjsť k poklesu hodnoty pod špecifický vodný odpor vodovodnej zásobovacej siete (pozri kapitolu Inštalácia / Technické údaje / Tabuľka s údajmi).

- Vypustite zariadenie tak, ako je popísané v kapitole Inštalácia / Údržba / Vypustenie zariadenia.

## OBSLUHA

### 1. Všeobecné pokyny

Kapitoly „Špeciálne pokyny“ a „Obsluha“ sú zamerané na používateľa zariadenia a odborného montážnika.

Kapitola „Inštalácia“ je určená odbornému montážnikovi.



#### Upozornenie

Pred použitím si dôkladne prečítajte tento návod a uschovajte ho.

Tento návod prípadne odovzdajte nasledujúcemu používateľovi.

---

### 1.1 Bezpečnostné pokyny

#### 1.1.1 Štruktúra bezpečnostných pokynov



#### SIGNÁLNE SLOVO Druh nebezpečenstva




Tu sú uvedené možné následky pri nerespektovaní bezpečnostných pokynov.

► Tu sú uvedené opatrenia na odvrátenie nebezpečenstva.

# OBSLUHA

## Všeobecné pokyny

### 1.1.2 Symboly, druh nebezpečenstva

Symbol	Druh nebezpečenstva
	Poranenie
	Zásah elektrickým prúdom
	Popálenie (popálenie, obarenie)

### 1.1.3 Signálne slová

SIGNÁLNE SLOVO	Význam
NEBEZPEČEN-STVO	Pokyny, ktorých nedodržovanie má za následok ťažké poranenia alebo smrť.
VÝSTRAHA	Pokyny, ktorých nerespektovanie môže mať za následok ťažké poranenia alebo smrť.
POZOR	Pokyny, ktorých nedodržovanie môže viesť k stredne ťažkým alebo ľahkým poraneniam.



### 1.2 Iné označenia v tejto dokumentácii



#### Upozornenie

Upozornenia sú ohraničené horizontálnymi čiarami nad a pod textom. Všeobecné pokyny sú označené vedľa uvedeným symbolom.

► Pozorne si prečítajte texty upozornení.

Symbol	Význam
	Vecné škody (škody na zariadení, následné škody, škody na životnom prostredí)
	Likvidácia zariadenia

► Tento symbol vám signalizuje, že musíte niečo urobiť. Potreb-  
né postupy sú popísané krok za krokom.

### 1.3 Rozmerové jednotky



#### Upozornenie

Ak nie je uvedené inak, použitá jednotka miery je mili-  
meter.



## 2. Bezpečnosť

### 2.1 Použitie v súlade s určením

Prístroj slúži na ohrev pitnej vody. Prístroj je určený pre umývadlo.

Zariadenie je určené na používanie v domácom prostredí. Bezpečne ho môžu používať aj osoby, ktoré neboli o používaní poučené. Zariadenie sa môže používať aj v inom ako domácom prostredí, napr. v malých prevádzkach, ak sa používa rovnakým spôsobom.

Iné použitie alebo použitie nad určený rámec sa pokladá za použitie v rozpore s určením. K použitiu v súlade s určením patrí aj dodržiavanie tohto návodu, ako aj návodov pre použité príslušenstvo.

### 2.2 Všeobecné bezpečnostné pokyny



#### NEBEZPEČENSTVO Obarenie

Armatúra môže počas prevádzky nadobudnúť teplotu viac ako 50 °C.

Pri výtokových teplotách vyšších než 43 °C vzniká nebezpečenstvo obarenia.



#### VÝSTRAHA Poranenie

Deti od 3 rokov, ako aj osoby so zníženými fyzickými, senzorickými či mentálnymi schopnosťami alebo osoby s nedostatočnými skúsenosťami a vedomosťami môžu prístroj používať pod dozorom, prípadne ak boli o bezpečnom používaní prístroja poučené a porozumeli z toho vyplývajúcim nebezpečenstvám. Deti sa so zariadením nesmú hrať. Čistenie a používateľskú údržbu nesmú vykonávať deti bez dozoru.



#### NEBEZPEČENSTVO Zásah elektrickým prúdom

Poškodené elektrické napájacie káble musí vymeniť odborný remeselník. Vďaka tomu sa vylúči možné ohrozenie.



#### Materiálne škody

Prístroj a armatúru chráňte pred mrazom.

**Materiálne škody**

Zabezpečte, aby beztlakový prístroj nebol vystavený žiadnemu tlaku, pretože inak by prípadne mohlo dôjsť k jeho zničeniu:

- ▶ Používajte iba dodaný špeciálny prúdový regulátor.
- ▶ Nepoužívajte s prúdovým regulátorom žiadne perlátory ani hadice.
- ▶ Výtoky armatúry nikdy neuzatvárajte.
- ▶ Predchádzajte zavápneniu výtokov armatúry (pozri kapitolu Čistenie, ošetrovanie a údržba).

**2.3 Certifikačné značky**

Pozri typový štítok na zariadení.

**3. Popis zariadenia**

Hydraulicky riadený beztlakový mini prietokový ohrievač ohrieva vodu priamo na odbornom mieste. Pri otvorení armatúry sa automaticky zapne ohrievací výkon. Vďaka krátkym rozvodom dochádza k minimálnym energetickým a tepelným stratám.

Teplovodný výkon závisí od teploty studenej vody, ohrievacieho výkonu a prietokového množstva.

Ohrievací systém neizolovaným vodičom je určený pre vodu s vysokým aj nízkym obsahom vápnika. Ohrevný systém je do veľkej miery odolný voči zavápneniu. Ohrevný systém zabezpečuje rýchlu a efektívnu prípravu teplej vody pre umývadlo.

Namontovaním priloženého špeciálneho prúdového regulátora dosiahnete optimálny prúd vody.

**4. Nastavenia**

Hneď ako otvoríte teplovodný ventil na armatúre alebo aktivujete snímač senzorovej armatúry, automaticky sa zapne ohrevný systém prístroja. Voda sa ohreje. Teplotu vody môžete meniť pomocou armatúry:

Zapínacie množstvo pozri v kapitole Technické údaje / Tabuľka s údajmi / Zapnutie.

**Zvýšenie teploty**

- ▶ Pomocou armatúry znížte prietokové množstvo.

**Zníženie teploty**

- ▶ Otvorte viac armatúru alebo primiešajte viac studenej vody.

**Po prerušení zásobovania vodou**

Pozri kapitolu Uvedenie do prevádzky / Opätovné uvedenie do prevádzky.

### 5. Čistenie, ošetrovanie a údržba

- ▶ Nepoužívajte čistiace prostriedky s obsahom abrazívnych látok alebo rozpúšťadiel. Na ošetrovanie a čistenie zariadenia vám postačí vlhká utierka.



#### Materiálne škody

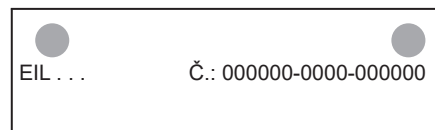
Zavápnenie na výtokoch armatúry môže prístroj vystaviť tlaku a príp. ho zničiť.

- ▶ Pravidelne kontrolujte armatúry. Vápnik na výtoku armatúr môžete odstrániť pomocou bežných odvápnovacích prostriedkov.
- ▶ Nechajte odborného montážnika pravidelne skontrolovať elektrickú bezpečnosť na zariadení.
- ▶ Špeciálny prúdový regulátor v armatúre pravidelne odvápnujte alebo ho vymieňajte za nový (pozri kapitolu Popis prístroja / Príslušenstvo).

### 6. Odstraňovanie problémov

Problém	Príčina	Odstránenie
Zariadenie sa aj napriek úplne otvorenému teplovodnému ventilu nezapína.	Na zariadení nie je prítomné žiadne napätie.	Skontrolujte poistku domovej inštalácie.
	Prúdový regulátor v armatúre je zavápnený alebo zanesený.	Vyčistíte a/alebo odvápnite prúdový regulátor alebo ho vymeňte za nový.
	Zásobovanie vodou je prerušené.	Odvzdušnite prístroj a prívod studenej vody (pozri kapitolu Uvedenie do prevádzky / Opätovné uvedenie do prevádzky).

Ak neviete príčinu odstrániť, zavolajte odborného montážnika. Kvôli lepšej a rýchlejšej pomoci uveďte číslo z typového štítku (000000-0000-00000).



# INŠTALÁCIA

## 7. Bezpečnosť

Inštaláciu, uvedenie do prevádzky ako aj údržbu a opravu zariadenia smie vykonávať iba odborný montážnik.

### 7.1 Všeobecné bezpečnostné pokyny

Bezchybnú funkciu a prevádzkovú bezpečnosť zaručujeme len vtedy, ak sa používa originálne príslušenstvo a originálne náhradné diely, ktoré sú pre prístroj určené.



#### Materiálne škody

Dodržiavajte maximálnu prípustnú prírodnú teplotu. Pri vyšších teplotách sa zariadenie môže poškodiť. Prostredníctvom centrálnej termostatickej armatúry môžete obmedziť prírodnú teplotu.



#### Materiálne škody

Prevádzkujte prístroj iba s beztlakovými armatúrami.

## 7.2 Predpisy, normy a ustanovenia



#### Upozornenie

Dbajte na všetky vnútroštátne a regionálne predpisy a ustanovenia.

Špecifický elektrický odpor vody nesmie byť nižší ako jeho hodnota uvedená na typovom štítku. Pri prepojenej vodovodnej sieti musíte zohľadňovať najnižší elektrický odpor vody (pozri kapitolu Technické údaje / Tabuľka s údajmi). Špecifický elektrický odpor alebo elektrickú vodivosť vody sa dozviete od vodárenskej spoločnosti, ktorá vás zásobuje vodou.

## 8. Popis zariadenia

### 8.1 Rozsah dodávky

So zariadením sa dodáva:

- Sito v prívide studenej vody
- Špeciálny prúdový regulátor
- Firemné logo pre prípad montáže nad umývadlom

### 8.2 Príslušenstvo

#### Špeciálny prúdový regulátor



#### Upozornenie

Namontovaním špeciálneho prúdového regulátora do armatúry dosiahnete optimálny prúd vody.

#### Beztlakové armatúry

- MAW (OT) Nástenná armatúra nad umývadlo
- MAZ (UT) Umývadlová armatúra s dvomi kohútikmi
- MAW-W (UTE) Umývadlová armatúra s jedným kohútikom

## 9. Prípravy

- ▶ Vodovodné potrubie dobre prepláchnite.

#### Vodovodná inštalácia

Poistný ventil sa nevyžaduje.

#### Armatúry

- ▶ Použite vhodné armatúry (pozri kapitolu Popis prístroja / Príslušenstvo).

## 10. Montáž

### 10.1 Miesto montáže

Prístroj montujte vždy v nezamrzajúcej miestnosti v blízkosti odberného miesta.

Dbajte na dobrý prístup k bočným upevňovacím skrutkám krytu.

Prístroj je vhodný na montáž pod umývadlo (vodovodné prípojky hore) a na montáž nad umývadlo (vodovodné prípojky dole).



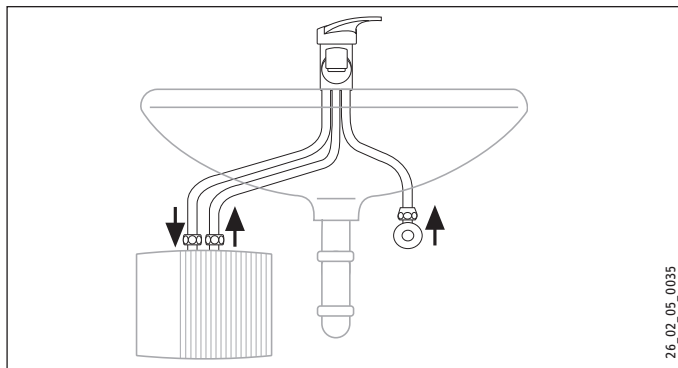
#### NEBEZPEČENSTVO Zásah elektrickým prúdom

Druhy krytia IP25 je prítomný iba pri namontovanej zadnej stene prístroja.

- ▶ Vždy namontujte zadnú stenu prístroja.

### 10.2 Alternatívy montáže

#### 10.2.1 Montáž pod umývadlo, beztlaková, s beztlakovou armatúrou



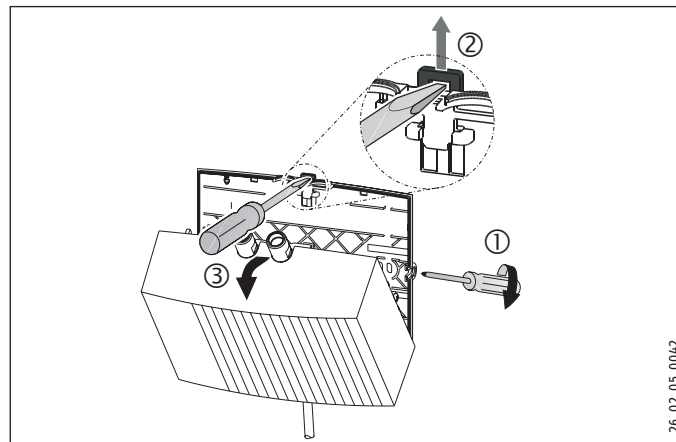
#### 10.2.2 Montáž zariadenia



#### Upozornenie

Stena musí byť dostatočne nosná.

- Namontujte zariadenie na stenu.

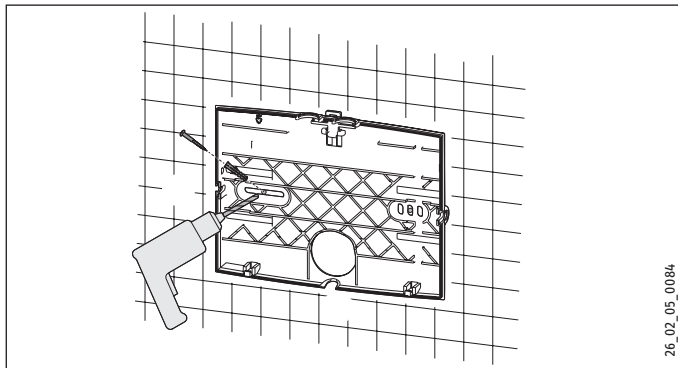


- Uvoľnite upevňovacie skrutky krytu o dve otáčky.
- Odblokujte zaskakovací uzáver pomocou skrutkovača.
- Kryt prístroja vyberte spolu s ohrevným systémom smerom dopredu.

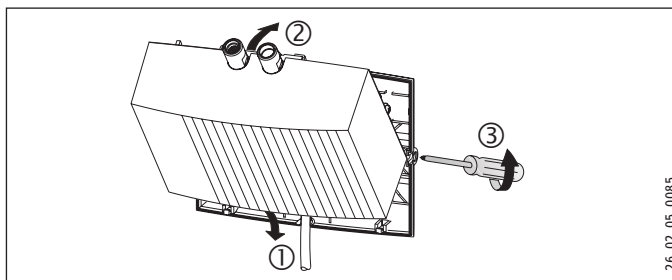
# INŠTALÁCIA

## Montáž

- ▶ Pomocou klieští vylomte v kryte prístroja priechodkový otvor pre elektrické napájacie káble. Otvor prípadne upravte pilníkom.



- ▶ Ako vrtaciu šablónu použijete zadnú stenu prístroja.
- ▶ Zadnú stenu prístroja upevnite na stenu pomocou vhodných hmoždínok a skrutiek.



- ▶ Elektrické napájacie káble vložte do priechodkového otvoru zadnej steny.
- ▶ Kryt prístroja spolu s ohrevným systémom dolu zaháknite.
- ▶ Ohrevný systém zaklapnite v zaskakovacom uzávere.
- ▶ Kryt prístroja upevnite pomocou upevňovacích skrutiek krytu.

### Montáž armatúry



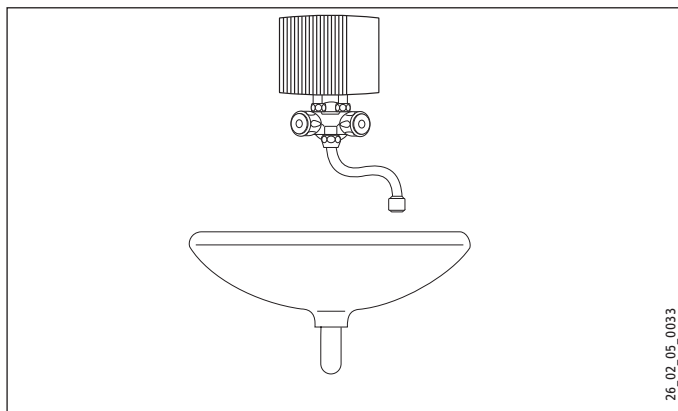
#### Materiálne škody

- ▶ Počas montáže všetkých prípojok musíte pomocou kľúča SW 14 vytvárať protipohyb.
- ▶ Namontujte armatúru. Dodržiavajte pritom návod na obsluhu a inštaláciu armatúry.

# INŠTALÁCIA

## Montáž

### 10.2.3 Montáž nad umývadlo, beztlaková, s beztlakovou armatúrou



#### Montáž armatúry



#### Materiálne škody

- ▶ Počas montáže všetkých prípojek musíte pomocou kľúča SW 14 vytvárať protipohyb.
- ▶ Namontujte armatúru. Dodržiavajte pritom návod na obsluhu a inštaláciu armatúry.

#### Montáž zariadenia

- ▶ Prístroj spolu s vodovodnými prípojkami namontujte na armatúru.

### 10.3 Vytvorenie elektrickej prípojky



**NEBEZPEČENSTVO** Zásah elektrickým prúdom  
Všetky práce na elektrickom pripojení a elektrické inštalčné práce vykonávajte podľa predpisov.



**NEBEZPEČENSTVO** Zásah elektrickým prúdom  
Dbajte na to, aby zariadenie bolo pripojené na ochranný vodič.  
Zariadenie sa musí dať odpojiť od siete všetkými pólmi s minimálnou odpojovacou vzdialenosťou 3 mm.



**NEBEZPEČENSTVO** Zásah elektrickým prúdom  
Prístroje sú v stave pri dodaní vybavené elektrickým napájacím káblom (EIL 3 Trend so zástrčkou).  
Pripojenie na pevné elektrické vedenie je možné, ak káble majú prierez minimálne ako sériové napájacie káble prístroja. Maximálny možný prierez káblov je 3 x 6 mm<sup>2</sup>.  
▶ Pri montáži prístroja nad umývadlo musíte elektrické napájacie káble viesť poza prístroj.





### Materiálne škody

Pri pripojení do zásuvky s ochranným kontaktom (v prípade elektrických napájacích káblov so zástrčkou) dbajte na to, aby bola zásuvka s ochranným kontaktom po inštalácii prístroja voľne prístupná.



### Materiálne škody

Dbajte na typový štítok. Uvedené napätie sa musí zhodovať so sieťovým napätím.

- ▶ Elektrický napájací kábel pripojte podľa elektrickej schémy zapojenia (pozri kapitolu Technické údaje / Elektrická schéma zapojenia).

## 11. Uvedenie do prevádzky

### 11.1 Prvé uvedenie do prevádzky



- ▶ Viacnásobným otvorením armatúry plňte prístroj, až kým sa potrebná sieť a prístroj neodvzdušnia.
- ▶ Vykonaajte kontrolu tesnosti.

- ▶ Zasuňte zástrčku elektrických napájacích káblov, ak je k dispozícii, do zásuvky s ochranným kontaktom alebo zapnite poistku.
- ▶ Skontrolujte činnosť zariadenia.
- ▶ Pri montáži nad umývadlo musíte firemné logo prelepiť príloženým firemným logom.

### 11.2 Odovzdanie zariadenia

- ▶ Vysvetlite funkciu zariadenia používateľovi a oboznámte ho s jeho používaním.
- ▶ Poučte ho o možných nebezpečenstvách, osobitne o nebezpečenstve obarenia.
- ▶ Odovzdajte tento návod.

### 11.3 Opätovné uvedenie do prevádzky



### Materiálne škody

Po prerušení zásobovania vodou musí byť prístroj pomocou nasledujúcich krokov opäť uvedený do prevádzky, aby sa nezničil ohrevný systém holým drôtom.

- ▶ Vypnite prístroj do beznapätového stavu. Na tento účel vytiahnite zástrčku elektrického napájacieho kábla, ak je k dispozícii, alebo vypnite poistku.
- ▶ Pozri kapitolu Prvé uvedenie do prevádzky.

### 12. Vyradenie z prevádzky

- ▶ Pomocou poistky v domovej inštalácii odpojte prístroj od sieťového napätia alebo vyťahnite zástrčku elektrických napájacích káblov.
- ▶ Vyprázdnite prístroj (pozri kapitolu Údržba).

### 13. Odstraňovanie porúch

Problém	Príčina	Odstránenie
Zariadenie sa aj napriek úplne otvorenému teplovodnému ventilu nezapína.	Prúdový regulátor v armatúre je zavápnenny alebo zaneseny.	Vyčistite a/alebo odvápnite prúdový regulátor alebo ho vymeňte za nový.
	Sito v prívode studenej vody je upchaté.	Vyčistite sito po zatvorení prívodu studenej vody.
	Ohrevný systém je chybný.	Odmerajte odpor ohrevného systému, príp. vymeňte prístroj.

### 14. Údržba



**NEBEZPEČENSTVO** Zásah elektrickým prúdom  
Pri všetkých prácach odpojte všetky póly zariadenia od sieťového pripojenia.

#### 14.1 Vypustenie zariadenia



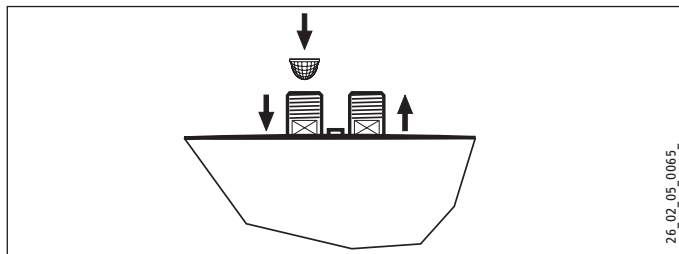
**NEBEZPEČENSTVO** Obarenie  
Pri vypúšťaní môže vytekať horúca voda.

Ak treba prístroj vyprázdniť kvôli údržbovým prácam alebo kvôli nebezpečenstvu mrazu s cieľom ochrany celej inštalácie, postupujte nasledovne:

- ▶ Zatvorte uzatvárací ventil v prívode studenej vody.
- ▶ Otvorte odberový ventil.
- ▶ Odpojte vodovodné prípojky od prístroja.

### 14.2 Vyčistite sitko

Zabudované sito môžete vyčistiť po demontáži prípojného vedenia studenej vody.



### 14.3 Kontroly podľa VDE 0701/0702

#### Kontrola ochranného vodiča

- ▶ Skontrolujte ochranný vodič (v Nemecku napr. DGUV A3) na kontakte ochranného vodiča elektrických napájacích káblov a na prípojnom hrdle prístroja.

#### Izolačný odpor

- ▶ V prípade, že by prístroj s menovitým ohrevným výkonom > 3,5 kW nedosiahol izolačný odpor 300 k $\Omega$ , odporúčame nastaviť izolačné vlastnosti tohto prístroja zmeraním rozdielového prúdu pre prúd ochranného vodiča/zvodový prúd podľa VDE 0701/0702 (obrázok C.3b).

### 14.4 Skladovanie prístroja

- ▶ Demontované zariadenie neskladujte v mraze, pretože sa v ňom nachádza zvyšková voda, ktorá môže zamrznúť a spôsobiť škody.

### 14.5 Výmena elektrických napájacích káblov na module EIL 6 Trend

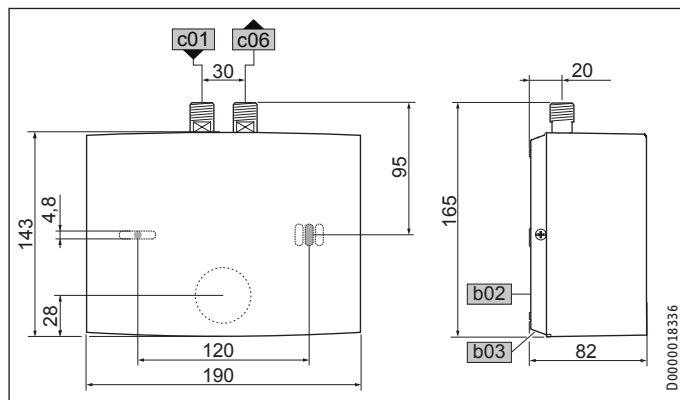
- ▶ V prípade výmeny sa na module EIL 6 Trend musí použiť elektrický napájací kábel s prierezom 4 mm<sup>2</sup>.

# INŠTALÁCIA

## Technické údaje

### 15. Technické údaje

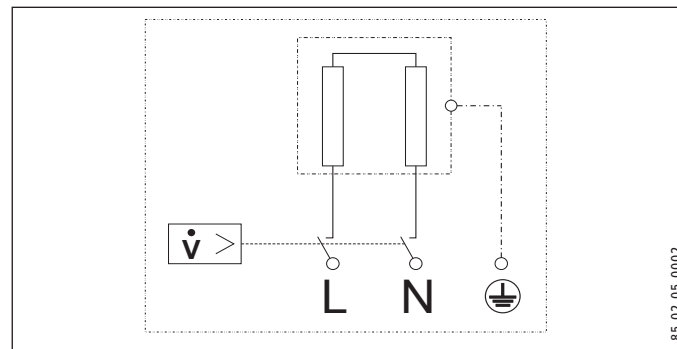
#### 15.1 Rozmery a prípojky



		EIL Trend
b02	Priechodka elektr. vedení I	
b03	Priechodka elektr. vedení II	
c01	Studená voda prívod	Vonkajší závit G 3/8 A
c06	Teplá voda výtok	Vonkajší závit G 3/8 A

#### 15.2 Elektrická schéma zapojenia

1/N/PE ~ 200-240 V



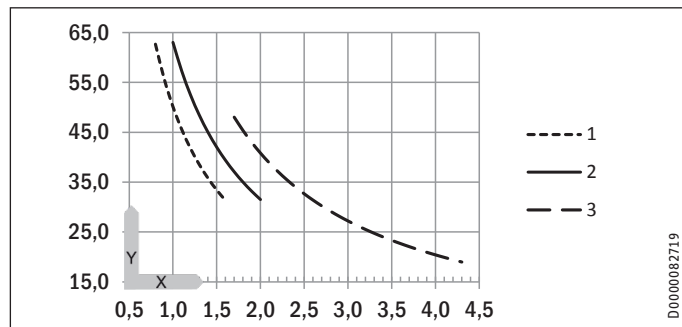
85\_02\_05\_0002

# INŠTALÁCIA

## Technické údaje

### 15.3 Zvýšenie teploty

Nasledujúce zvýšenia teploty vody sa dosahujú pri napätí 230 V:



X Objemový prietok v l/min.

Y Zvýšenie teploty v K

1 3,5 kW – 230 V

2 4,4 kW – 230 V

3 5,7 kW – 230 V

#### Príklad EIL 3 Trend s 3,5 kW

objemový prietok	l/min	1,6
Zvýšenie teploty	K	31
Vstupná teplota studenej vody	°C	12
Maximálna možná výtoková teplota	°C	43

### 15.4 Oblasti použitia

Špecifický elektrický odpor a špecifická elektrická vodivosť, pozri Tabuľka s údajmi

Normalizovaný údaj pri 15 °C			20 °C			25 °C		
Špec. odpor $\rho \geq$	Špec. vodivosť $\sigma \leq$	$\mu S/cm$	Špec. odpor $\rho \geq$	Špec. vodivosť $\sigma \leq$	$\mu S/cm$	Špec. odpor $\rho \geq$	Špec. vodivosť $\sigma \leq$	$\mu S/cm$
$\Omega cm$	mS/m		$\Omega cm$	mS/m		$\Omega cm$	mS/m	
1100	91	909	970	103	1031	895	112	1117

# INŠTALÁCIA

## Technické údaje

### 15.5 Údaje k spotrebe energie

Informačný list výrobku: Konvenčný ohrievač vody podľa nariadenia (EÚ) č. 812/2013 | 814/2013

		EIL 4 Trend		EIL 6 Trend	
		200143		200144	
Výrobca		STIEBEL ELTRON		STIEBEL ELTRON	
Záťažový profil		XXS		XXS	
Trieda energetickej účinnosti		A		A	
Energetická účinnosť	%	39		39	
Ročná spotreba el. energie	kWh	478		478	
Hladina akustického výkonu	dB(A)	15		15	
Špeciálne poznámky k meraniu účinnosti		žiadne		žiadne	
Denná spotreba el. energie	kWh	2,200		2,200	

### 15.6 Tabuľka s údajmi

		EIL 3 Trend				EIL 4 Trend				EIL 6 Trend			
		200142				200143				200144			
Elektrické údaje													
Menovité napätie	V	200	220	230	240	200	220	230	240	200	220	230	240
Príkon	kW	2,7	3,2	3,53	3,8	3,3	4,0	4,4	4,8	4,3	5,2	5,7	6,2
Menovitý prúd	A	13,3	14,5	15,2	15,8	16,7	18,2	19,1	20	21,6	23,6	24,7	25,8
Poistka	A	16				20				25	25	25	32
Frekvencia	Hz	50/60				50/60				50/60			
Fázy		1/N/PE				1/N/PE				1/N/PE			
Max. impedancia siete pri 50 Hz	$\Omega$									0,394	0,377	0,361	
Špecifický odpor $\rho_{15} \geq$	$\Omega$ cm	1100				1100				1100			
Špecifická vodivosť $\sigma_{15} \leq$	$\mu S/cm$	909				909				909			

# INŠTALÁCIA

## Technické údaje

		EIL 3 Trend	EIL 4 Trend	EIL 6 Trend
<b>Prípojky</b>				
Vodovodná prípojka		G 3/8 A	G 3/8 A	G 3/8 A
<b>Hranice použitia</b>				
Max. povolený tlak	MPa	0	0	0
<b>Hodnoty</b>				
Max. povolená prírodná teplota	°C	15	15	35
Zap.	l/min	> 1,0	> 1,3	> 2,6
Tlaková strata pri objemovom prietoku	MPa	0,06	0,07	0,08
Prietok pre tlakovú stratu	l/min	1,0	1,3	2,6
Obmedzenie prietoku pri	l/min	1,6	2,0	4,3
Max. prietokové množstvo teplej vody	l/min	1,6	2,0	2,6
Δθ pri max. prietokovom množstve	K	31	31	31
<b>Hydraulické údaje</b>				
Menovitý objem	l	0,1	0,1	0,1
<b>Vyhotovenia</b>				
Typ montáže nad umývadlo		X	X	X
Typ montáže pod umývadlo		X	X	X
Typ konštrukcie otvorený		X	X	X
Trieda ochrany		1	1	1
Izolačný blok		Plast	Plast	Plast
Vykurovací systém zdroja tepla		Neizolovaný vodič	Neizolovaný vodič	Neizolovaný vodič
Kryt a zadná stena		Plast	Plast	Plast
Farba		biela	biela	biela
Druh krytia (IP)		IP 25	IP 25	IP 25
<b>Rozmery</b>				
Výška	mm	143	143	143
Šírka	mm	190	190	190
Hĺbka	mm	82	82	82
Dĺžka pripojovacieho kábla	mm	700	700	700

Hmotnosti		EIL 3 Trend	EIL 4 Trend	EIL 6 Trend
Hmotnosť	kg	1,4	1,4	1,4



## Upozornenie

Prístroj zodpovedá IEC 61000-3-12.

## Záruka

Pre zariadenia nadobudnuté mimo Nemecka neplatia záručné podmienky našich nemeckých spoločností. V krajinách, v ktorých existuje jedna z našich dcérskych spoločností predávajúcej naše výrobky, sa skôr poskytuje záruka iba od tejto dcérskej spoločnosti. Takáto záruka je poskytnutá iba vtedy, keď dcérska spoločnosť vydala vlastné záručné podmienky. Nad rámec uvedeného sa záruka neposkytuje.

Na zariadenia, ktoré boli nadobudnuté v krajinách, v ktorých naše výrobky nepredáva žiadna z našich dcérskych spoločností, záruku neposkytujeme. Prípadné záruky prisľúbené dovozcom zostávajú týmto nedotknuté.

## Životné prostredie a recyklácia

Pomôžte chrániť naše životné prostredie. Balenie prístroja je nutné zlikvidovať v súlade s vnútroštátnymi predpismi a ustanoveniami o likvidácii odpadov.



## WSKAZÓWKI SPECJALNE

### OBSŁUGA

<b>1.</b>	<b>Wskazówki ogólne</b>	<b>106</b>
1.1	Wskazówki dotyczące bezpieczeństwa	107
1.2	Inne oznaczenia stosowane w niniejszej dokumentacji	107
1.3	Jednostki miar	108
<b>2.</b>	<b>Bezpieczeństwo</b>	<b>108</b>
2.1	Użytkowanie zgodne z przeznaczeniem	108
2.2	Ogólne wskazówki dotyczące bezpieczeństwa	108
2.3	Znak kontroli	109
<b>3.</b>	<b>Opis urządzenia</b>	<b>109</b>
<b>4.</b>	<b>Nastawy</b>	<b>109</b>
<b>5.</b>	<b>Czyszczenie i konserwacja</b>	<b>110</b>
<b>6.</b>	<b>Usuwanie problemów</b>	<b>110</b>

### INSTALACJA

<b>7.</b>	<b>Bezpieczeństwo</b>	<b>111</b>
7.1	Ogólne wskazówki dotyczące bezpieczeństwa	111
7.2	Przepisy, normy i wymogi	111
<b>8.</b>	<b>Opis urządzenia</b>	<b>111</b>
8.1	Zakres dostawy	111
8.2	Osprzęt	112
<b>9.</b>	<b>Przygotowania</b>	<b>112</b>
<b>10.</b>	<b>Montaż</b>	<b>112</b>
10.1	Miejsce montażu	112
10.2	Inne sposoby montażu	113

10.3	Wykonanie przyłącza elektrycznego	115
<b>11.</b>	<b>Uruchomienie</b>	<b>116</b>
11.1	Pierwsze uruchomienie	116
11.2	Przekazanie urządzenia	116
11.3	Ponowne uruchomienie	117
<b>12.</b>	<b>Wyłączenie z eksploatacji</b>	<b>117</b>
<b>13.</b>	<b>Usuwanie usterek</b>	<b>117</b>
<b>14.</b>	<b>Konserwacja</b>	<b>118</b>
14.1	Opróżnianie urządzenia z wody	118
14.2	Czyszczenie sitka	118
14.3	Kontrole wg VDE 0701/0702	118
14.4	Przechowywanie urządzenia	119
14.5	Wymiana elektrycznego przewodu przyłączeniowego w EIL 6 Trend	119
<b>15.</b>	<b>Dane techniczne</b>	<b>119</b>
15.1	Wymiary i przyłącza	119
15.2	Schemat połączeń elektrycznych	120
15.3	Podwyższenie temperatury	120
15.4	Zakresy stosowania	121
15.5	Dane dotyczące zużycia energii	121
15.6	Tabela danych	122

### GWARANCJA

### OCHRONA ŚRODOWISKA I RECYCLING

## WSKAZÓWKI SPECJALNE

- Urządzenie może być obsługiwane przez dzieci, które ukończyły 3 lat, oraz przez osoby o zmniejszonych zdolnościach fizycznych, sensorycznych lub umysłowych lub osoby nieposiadające odpowiedniego doświadczenia względnie wiedzy, jeżeli są one pod nadzorem lub zostały przeszkolone w zakresie bezpiecznej obsługi urządzenia oraz zrozumiwały wynikające stąd niebezpieczeństwa. Urządzenie nie może być używane przez dzieci do zabawy. Czyszczenia oraz konserwacji ze strony użytkownika nie wolno powierzać dzieciom bez nadzoru.
- Podczas pracy temperatura armatury może osiągnąć wartość powyżej 50 °C. W przypadku temperatur wyższych niż 43 °C istnieje niebezpieczeństwo poparzenia.
- Urządzenie nie jest przeznaczone do zasilania w wodę prysznica (tryb prysznica).
- Urządzenie musi mieć możliwość odłączania od sieci elektrycznej za pomocą wielobiegunowego wyłącznika z rozwarciem styków wynoszącym min. 3 mm.
- Podane napięcie musi być zgodne z napięciem sieciowym.
- Urządzenie musi być trwale podłączone do stałego okablowania, wyjątek EIL 3 Trend.
- Czynności związane z wymianą sieciowego przewodu przyłączeniowego, np. w razie uszkodzenia, mogą być wykonywane wyłącznie przez wyspecjalizowanego instalatora posiadającego uprawnienia wydane przez producenta, przy użyciu oryginalnej części zamiennej.
- Zamocować urządzenie w sposób opisany w rozdziale „Instalacja / Montaż”.

- Należy przestrzegać maksymalnego dopuszczalnego ciśnienia (patrz rozdział „Dane techniczne / Tabela danych”).
- Oporność właściwa wody z sieci wodociągowej nie może być niższa niż podana w tabeli (patrz rozdział „Instalacja / Dane techniczne / Tabela danych”).
- Urządzenie opróżniać w sposób opisany w rozdziale „Instalacja / Konserwacja / Opróżnianie urządzenia”.

## OBSŁUGA

### 1. Wskazówki ogólne

Rozdziały „Wskazówki specjalne” i „Obsługa” są przeznaczone dla użytkowników urządzenia i wyspecjalizowanych instalatorów.

Rozdział „Instalacja” przeznaczony jest dla wyspecjalizowanego instalatora.



#### Wskazówka

Przed przystąpieniem do użytkowania należy dokładnie zapoznać się z niniejszą instrukcją i zachować ją do późniejszego wykorzystania.

W przypadku przekazania produktu innemu użytkownikowi niniejszą instrukcję należy również dołączyć.

---

## 1.1 Wskazówki dotyczące bezpieczeństwa

### 1.1.1 Struktura wskazówek dotyczących bezpieczeństwa



**HASŁO OSTRZEGAWCZE – rodzaj zagrożenia**  
**W tym miejscu określone są potencjalne skutki nieprze-  
 strzegania wskazówki dotyczącej bezpieczeństwa.**  
 ► W tym miejscu są określone środki zapobiegające  
 zagrożeniu.

### 1.1.2 Symbole i rodzaje zagrożenia

Symbol	Rodzaj zagrożenia
	Obrażenia ciała
	Porażenie prądem elektrycznym
	Poparzenie (Poparzenie)

### 1.1.3 Hasła ostrzegawcze

HASŁO OSTRZE- GAWCZE	Znaczenie
ZAGROŻENIE	Wskazówki, których nieprzestrzeganie prowadzi do cięż- kich obrażeń ciała lub śmierci.
OSTRZEŻENIE	Wskazówki, których nieprzestrzeganie może prowadzić do ciężkich obrażeń ciała lub śmierci.
OSTROŻNIE	Wskazówki, których nieprzestrzeganie może prowadzić do średnich lub lekkich obrażeń ciała.

## 1.2 Inne oznaczenia stosowane w niniejszej dokumentacji



### Wskazówka

Wskazówki są ograniczone poziomymi liniami powyżej i poniżej tekstu. Wskazówki ogólne są oznaczone sym-  
bolem umieszczonym obok.

► Należy dokładnie zapoznać się z treścią wskazówek.

Symbol	Znaczenie
	Szkody materialne (uszkodzenie urządzenia, szkody następcze, zanieczyszcze- nie środowiska)
	Utylizacja urządzenia

- ▶ Ten symbol informuje o konieczności wykonania jakiejś czynności. Wymagane czynności opisane są krok po kroku.

### 1.3 Jednostki miar



#### Wskazówka

Jeśli nie określono innych jednostek, wymiary podane są w milimetrach.

## 2. Bezpieczeństwo

### 2.1 Użytkowanie zgodne z przeznaczeniem

Urządzenie służy do podgrzewania wody użytkowej. Urządzenie jest przeznaczone wyłącznie do umywalki.

Urządzenie przeznaczone jest do użytku w budownictwie mieszkaniowym. Może być bezpiecznie użytkowane przez nieprzeszkolone osoby. Urządzenie może być użytkowane również poza budownictwem mieszkaniowym, np. w budynkach gospodarczych i przemysłowych, pod warunkiem użytkowania zgodnego z przeznaczeniem.

Inne lub wykraczające poza obowiązujące ustalenia użytkowanie traktowane jest jako niezgodne z przeznaczeniem. Do użytkowania zgodnego z przeznaczeniem należy również przestrzeganie niniejszej instrukcji obsługi oraz instrukcji obsługi użytego osprzętu.

### 2.2 Ogólne wskazówki dotyczące bezpieczeństwa



#### ZAGROŻENIE poparzeniem

Podczas pracy temperatura armatury może osiągnąć wartość powyżej 50 °C.

W przypadku temperatur wyższych niż 43 °C istnieje niebezpieczeństwo poparzenia.



#### OSTRZEŻENIE - obrażenia ciała

Urządzenie może być obsługiwane przez dzieci, które ukończyły 3 lat oraz przez osoby o zmniejszonych zdolnościach fizycznych, sensorycznych lub umysłowych lub osoby nieposiadające odpowiedniego doświadczenia względnie wiedzy, jeżeli są one pod nadzorem lub zostały przeszkolone w zakresie bezpiecznej obsługi urządzenia oraz zrozumiały wynikające stąd niebezpieczeństwa. Urządzenie nie może być używane przez dzieci do zabawy. Czyszczenia oraz konserwacji ze strony użytkownika nie wolno powierzać dzieciom bez nadzoru.



#### ZAGROŻENIE porażenia prądem elektrycznym

Uszkodzony elektryczny przewód przyłączeniowy może zostać wymieniony tylko przez wyspecjalizowanego instalatora. Dzięki temu można uniknąć ewentualnych zagrożeń.



#### Szkody materialne

Chronić urządzenie i armaturę przed mrozem.

**Szkody materialne**

Upewnić się, że urządzenie bezcisnieniowe nie jest wystawione na działanie ciśnienia. W przeciwnym razie może ono ulec uszkodzeniu:

- ▶ Stosować wyłącznie dołączony specjalny regulator strumienia.
- ▶ nie stosować perlatorów ani węży z regulatorem strumienia.
- ▶ nigdy nie zamykać wylotów armatury.
- ▶ zapobiegać osadzaniu się kamienia na wylotach armatury (patrz rozdział „Czyszczenie, pielęgnacja i konserwacja”).

**2.3 Znak kontroli**

Patrz tabliczka znamionowa na urządzeniu.

**3. Opis urządzenia**

Hydraulicznie sterowany bezcisnieniowy mini przepływowy ogrzewacz podgrzewa wodę bezpośrednio w punkcie poboru. Otwarcie armatury powoduje automatyczne załączenie mocy grzewczej. Dzięki krótkiej instalacji powstają niewielkie straty energii i wody.

Wydajność ciepłej wody urządzenia zależy od temperatury zimnej wody, mocy grzewczej oraz przepływu.

System grzewczy z odkrytą grzałką jest przeznaczony do wody o niskiej i wysokiej zawartości wapnia. System grzewczy jest w dużym

stopniu odporny na powstawanie osadów wapiennych. System grzewczy zapewnia szybkie i wydajne przygotowanie ciepłej wody w umywalce.

Dzięki zamontowaniu dołączonego, specjalnego regulatora strumienia można uzyskać optymalny strumień wody.

**4. Nastawy**

Po otwarciu zaworu ciepłej wody na armaturze lub uruchomieniu czujnika armatury czujnikowej system grzewczy urządzenia załącza się automatycznie. Woda jest podgrzewana. Temperaturę wody można zmieniać za pomocą armatury:

Przepływ wymagany do włączenia patrz rozdział „Dane techniczne / Tabela danych / Wł.”.

**Podwyższenie temperatury**

- ▶ Zdławić przepływ wody za pomocą armatury.

**Obniżenie temperatury**

- ▶ Odkręcić mocniej armaturę lub domieszać więcej zimnej wody.

**Po przerwie w zaopatrzeniu w wodę**

Patrz rozdział „Uruchomienie / Ponowne uruchomienie”.

## 5. Czyszczenie i konserwacja

- ▶ Nie wolno używać szorujących, ani rozpuszczających środków czyszczących. Do konserwacji i czyszczenia urządzenia wystarczy wilgotna ściereczka.



### Szkody materialne

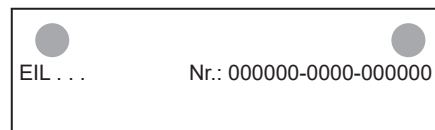
Osady z kamienia na wylotach armatury mogą wytwarzać ciśnienie w urządzeniu i doprowadzić do jego uszkodzenia.

- ▶ Należy regularnie sprawdzać stan armatur. Osad z wylotu armatur należy usuwać przy użyciu dostępnych w handlu środków do odkamieniania.
- ▶ W regularnych odstępach czasu zlecać wyspecjalizowanemu instalatorowi kontrolę bezpieczeństwa elektrycznego urządzenia.
- ▶ Należy regularnie odwapniać lub wymieniać specjalny regulator strumienia w armaturze (patrz rozdział „Opis urządzenia / Osprzęt”).

## 6. Usuwanie problemów

Problem	Przyczyna	Usuwanie
Urządzenie nie włącza się, mimo całkowicie otwartej armatury.	Do urządzenia nie jest doprowadzone napięcie.	Sprawdzić bezpiecznik w instalacji domowej.
	Regulator strumienia w armaturze jest pokryty kamieniem lub zabrudzony.	Oczyścić i/lub odwapnić regulator strumienia lub wymienić specjalny regulator strumienia.
	Przerwa w zaopatrzeniu w wodę.	Odpowietrzyć urządzenie i zasilanie zimnej wody (patrz rozdział „U uruchomienie / Ponowne uruchomienie”).

Jeśli nie można usunąć przyczyny usterki, należy wezwać wyspecjalizowanego instalatora. W celu usprawnienia i przyspieszenia pomocy należy podać numer z tabliczki znamionowej (000000-0000-00000).



# INSTALACJA

## 7. Bezpieczeństwo

Instalacja, uruchomienie, jak również konserwacja i naprawa urządzenia mogą być wykonane wyłącznie przez wyspecjalizowanego instalatora.

### 7.1 Ogólne wskazówki dotyczące bezpieczeństwa

Producent zapewnia prawidłowe działanie i bezpieczeństwo eksploatacji tylko w przypadku stosowania oryginalnego osprzętu, przeznaczonego do tego urządzenia, oraz oryginalnych części zamiennych.



#### Szkody materialne

Przestrzegać maks. dopuszczalnej temperatury na zasilaniu. Przy wyższych temperaturach może nastąpić uszkodzenie urządzenia. Za pomocą centralnej armatury termostatycznej można ograniczyć temperaturę wody na zasilaniu.



#### Szkody materialne

Urządzenie należy eksploatować wyłącznie w połączeniu z armaturami bezciśnieniowymi.

## 7.2 Przepisy, normy i wymogi



#### Wskazówka

Należy przestrzegać krajowych i lokalnych przepisów oraz wymogów.

Właściwa oporność elektryczna wody nie może być mniejsza niż podana na tabliczce znamionowej. W przypadku sieci wodociągowej należy uwzględnić najniższą oporność elektryczną wody (patrz rozdział „Dane techniczne / Tabela danych”). Informacje o właściwej oporności elektrycznej lub elektrycznej przewodności wody można uzyskać w miejscowym zakładzie wodociągów.

## 8. Opis urządzenia

### 8.1 Zakres dostawy

Z urządzeniem dostarczane są:

- sitko w zasilaniu zimnej wody
- specjalny regulator strumienia
- logo firmy przy montażu urządzenia powyżej punktu poboru



# INSTALACJA

## Przygotowania

### 8.2 Osprzęt

#### Specjalny regulator strumienia



#### Wskazówka

Dzięki zamontowaniu specjalnego regulatora strumienia w armaturze można uzyskać optymalny strumień wody.

#### Armatury bezcisnieniowe

- MAW (OT) Armatura ścienna do montażu powyżej punktu poboru
- MAZ (UT) Armatura umywalki dwuuchwytywa
- MAE-W (UTE) Armatura umywalki jednouchwytywa

## 9. Przygotowania

- ▶ Przepłukać dokładnie instalację wodną.

#### Instalacja wodna

Zawór bezpieczeństwa nie jest potrzebny.

#### Armatury

- ▶ Stosować odpowiednie armatury (patrz rozdział „Opis urządzenia / Wyposażenie dodatkowe”).

## 10. Montaż

### 10.1 Miejsce montażu

Urządzenie należy zamontować w pomieszczeniu zabezpieczonym przed mrozem, w pobliżu armatury czerpalnej.

Zwrócić uwagę na dostępność bocznych wkrętów mocujących pokrywę.

Urządzenie przeznaczone jest do montażu poniżej punktu poboru wody (przyłącza wody na górze) i powyżej punktu poboru wody (przyłącza wody na dole).



**ZAGROŻENIE porażenia prądem elektrycznym**  
Stopień ochrony IP25 jest zapewniony tylko przy zamontowanej ściance tylnej urządzenia.

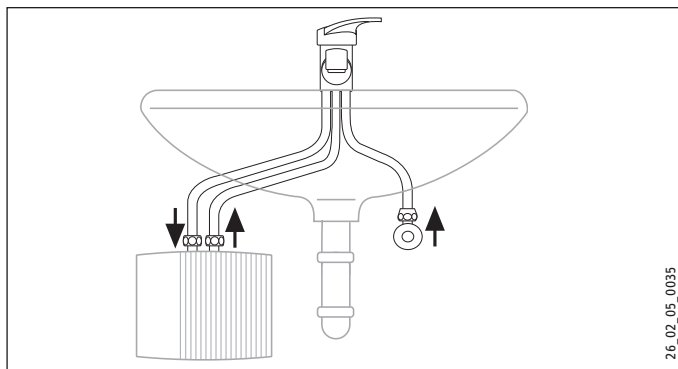
- ▶ Zawsze montować ściankę tylną urządzenia.

# INSTALACJA

## Montaż

### 10.2 Inne sposoby montażu

#### 10.2.1 Montaż poniżej punktu poboru wody, bezciśnieniowy, z armaturą bezciśnieniową



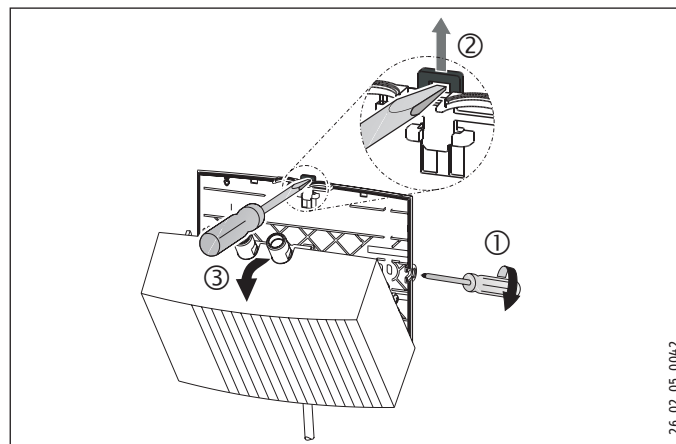
#### 10.2.2 Montaż urządzenia



##### Wskazówka

Ściana musi posiadać odpowiednią nośność.

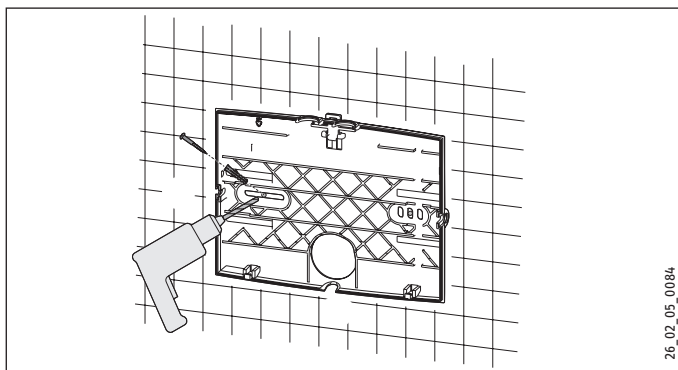
- ▶ Zamontować urządzenie na ścianie.



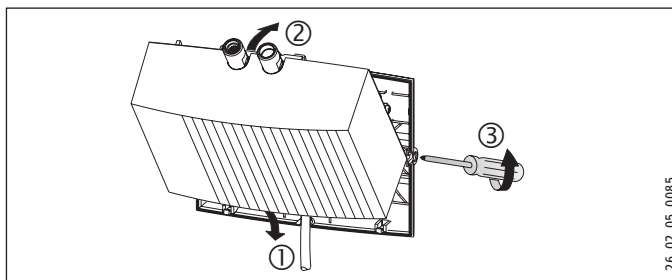
- ▶ Wkręty mocujące osłonę odkręcić o dwa obroty.
- ▶ Odblokować zamknięcie zapadkowe za pomocą śrubokręta.
- ▶ Zdjąć do przodu pokrywę urządzenia z systemem grzejnym.
- ▶ Wyłamać przy użyciu szczypiec otwór przepustowy na elektryczny przewód przyłączeniowy w pokrywie urządzenia. Ewentualne nierówności usunąć pilnikiem.

# INSTALACJA

## Montaż



- ▶ Tylną ściankę urządzenia użyć jako szablonu do nawiercania otworów.
- ▶ Zamocować ściankę tylną urządzenia odpowiednimi kołkami rozporowymi i wkrętami na ścianie.



- ▶ Przełożyć elektryczny przewód przyłączeniowy przez otwór przepustowy tylnej ścianki.
- ▶ Zaczepić pokrywę urządzenia z systemem grzejnym na dole.
- ▶ Zablokować system grzejny w zamknięciu zapadkowym.
- ▶ Zamocować pokrywę urządzenia wkrętami mocującymi pokrywę.

### Montaż armatury



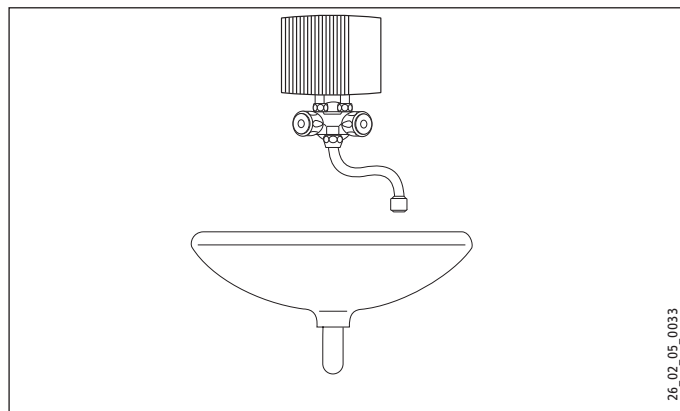
#### Szkody materialne

- ▶ Podczas montażu wszystkich przyłączy należy kontrolować króćce przyłączeniowe urządzenia za pomocą klucza o rozmiarze 14.
- ▶ Zamontować armaturę. Należy przestrzegać przy tym instrukcji obsługi i instalacji armatury.

# INSTALACJA

## Montaż

### 10.2.3 Montaż powyżej punktu poboru wody, bezciśnieniowy, z armaturą bezciśnieniową



#### Montaż armatury



#### Szkody materialne

- ▶ Podczas montażu wszystkich przyłączy należy kontrolować króćce przyłączeniowe urządzenia za pomocą klucza o rozmiarze 14.
- ▶ Zamontować armaturę. Należy przestrzegać przy tym instrukcji obsługi i instalacji armatury.

#### Montaż urządzenia

- ▶ Zamontować urządzenie razem z przyłączami wody na armaturze.

### 10.3 Wykonanie przyłącza elektrycznego



**ZAGROŻENIE** porażenia prądem elektrycznym  
Wszystkie elektryczne prace przyłączeniowe i instalacyjne należy wykonywać zgodnie z przepisami.



**ZAGROŻENIE** porażenia prądem elektrycznym  
Zwrócić uwagę, aby urządzenie zostało podłączone do przewodu ochronnego.  
Urządzenie musi mieć możliwość odłączania od sieci elektrycznej za pomocą wielobiegunowego wyłącznika z rozwarciem styków wynoszącym min. 3 mm.



**ZAGROŻENIE** porażenia prądem elektrycznym  
Urządzenia w momencie dostawy są wyposażone w elektryczny przewód przyłączeniowy (EIL 3 Trend z wtyczką).

Urządzenie można podłączyć do poprowadzonego na stałe przewodu elektrycznego, jeśli jego pole przekroju jest przynajmniej równe polu przekroju seryjnego przewodu przyłączeniowego urządzenia. Maksymalne pole przekroju przewodu może wynosić  $3 \times 6 \text{ mm}^2$ .

▶ W przypadku montażu urządzenia powyżej punktu poboru wody elektryczne przewody przyłączeniowe muszą być poprowadzone za urządzeniem.



### Szkody materialne

Przy podłączaniu do gniazda wtykowego z zestykiem ochronnym (dotyczy elektrycznego przewodu przyłączeniowego z wtyczką) należy zwrócić uwagę, aby po instalacji urządzenia do gniazda wtykowego był swobodny dostęp.



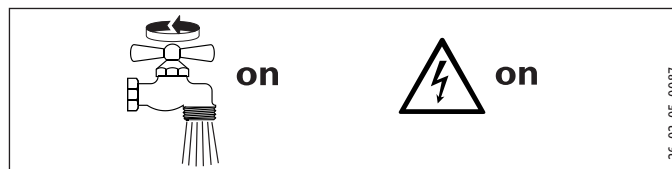
### Szkody materialne

Zwrócić uwagę na treść tabliczki znamionowej. Podane napięcie musi być zgodne z napięciem sieciowym.

- ▶ Podłączyć elektryczny przewód przyłączeniowy według schematu połączeń elektrycznych (patrz rozdział „Dane techniczne / Schemat połączeń elektrycznych”).

## 11. Uruchomienie

### 11.1 Pierwsze uruchomienie



- ▶ Napełnić urządzenie, pobierając kilkakrotnie wodę z armatury, aby usunąć powietrze z instalacji i urządzenia.
- ▶ Przeprowadzić kontrolę szczelności.
- ▶ Podłączyć wtyczkę elektrycznego przewodu przyłączeniowego (jeśli jest) do gniazda wtykowego z zestykiem ochronnym lub załączyć bezpiecznik.
- ▶ Sprawdzić prawidłowość pracy urządzenia.
- ▶ W przypadku montażu powyżej punktu poboru należy zakleić logo firmy nalepką dołączoną do zestawu, we właściwej pozycji.

### 11.2 Przekazanie urządzenia

- ▶ objaśnić użytkownikowi sposób działania urządzenia i zapoznać go ze sposobem użytkowania.
- ▶ poinformować użytkownika o potencjalnych zagrożeniach, zwłaszcza o niebezpieczeństwie poparzenia.
- ▶ Przekazać niniejszą instrukcję.

### 11.3 Ponowne uruchomienie



#### Szkody materialne

Po przerwie w zasilaniu wodą należy ponownie uruchomić urządzenie, wykonując poniższe czynności, aby nie uszkodzić systemu grzejnego z odkrytą grzałką.

- ▶ Odłączyć urządzenie od zasilania. W tym celu odłączyć wtyczkę elektrycznego przewodu przyłączeniowego (jeśli jest) lub wyłączyć bezpiecznik.
- ▶ Patrz rozdział „Pierwsze uruchomienie”.

### 12. Wyłączenie z eksploatacji

- ▶ Urządzenie odłączyć od napięcia sieciowego za pomocą bezpiecznika w sieci instalacji domowej lub wyciągnąć wtyczkę elektrycznego przewodu przyłączeniowego.
- ▶ Opróżnić urządzenie z wody (patrz rozdział „Konserwacja”).

### 13. Usuwanie usterek

Problem	Przyczyna	Usuwanie
Urządzenie nie włącza się, mimo całkowicie otwartej armatury.	Regulator strumienia w armaturze jest pokryty kamieniem lub zabrudzony.	Oczyścić i/lub odwapnić regulator strumienia lub wymienić specjalny regulator strumienia.
	Sitko w przewodzie zimnej wody jest zatkane.	Wyczyścić sitko po zamknięciu zaworu odcinającego.
	System grzejny jest uszkodzony.	Zmierzyć rezystancję systemu grzejnego, ew. wymienić urządzenie.

### 14. Konserwacja



**ZAGROŻENIE** porażenia prądem elektrycznym  
Przed przystąpieniem do wszelkich prac należy odłączyć urządzenie na wszystkich biegunach od sieci.

#### 14.1 Opróżnianie urządzenia z wody



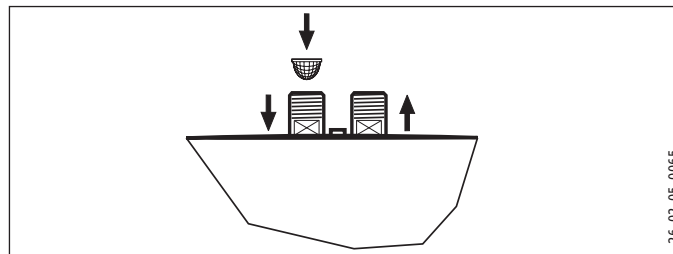
**ZAGROŻENIE** poparzeniem  
Podczas opróżniania z urządzenia może wypłynąć gorąca woda.

Jeśli konieczne jest opróżnienie urządzenia przed przystąpieniem do prac konserwacyjnych lub w razie wystąpienia ryzyka zamarznięcia całej instalacji, należy postępować w następujący sposób:

- ▶ Zamknąć zawór odcinający w instalacji zasilania zimnej wody.
- ▶ Otworzyć zawór poboru wody.
- ▶ Odkręcić przyłącza wody od urządzenia.

#### 14.2 Czyszczenie sitka

Zamontowane sitko można oczyścić po demontażu rurki przyłączeniowej zimnej wody.



#### 14.3 Kontrole wg VDE 0701/0702

##### Kontrola przewodu ochronnego

- ▶ Skontrolować przewód ochronny (w Niemczech np. zgodnie z DGUV A3) na styku przewodu ochronnego elektrycznego przewodu przyłączeniowego oraz na króćcu przyłączeniowym urządzenia.

##### Oporność izolacji

- ▶ Jeśli urządzenie o znamionowej mocy grzewczej > 3,5 kW nie osiąga oporności izolacji 300 kΩ, zalecamy przeprowadzenie kontroli właściwości izolacyjnych tego urządzenia za pomocą pomiaru prądu różnicowego przewodu ochronnego / prądu upływowego wg VDE 0701/0702 (rys C.3b).

### 14.4 Przechowywanie urządzenia

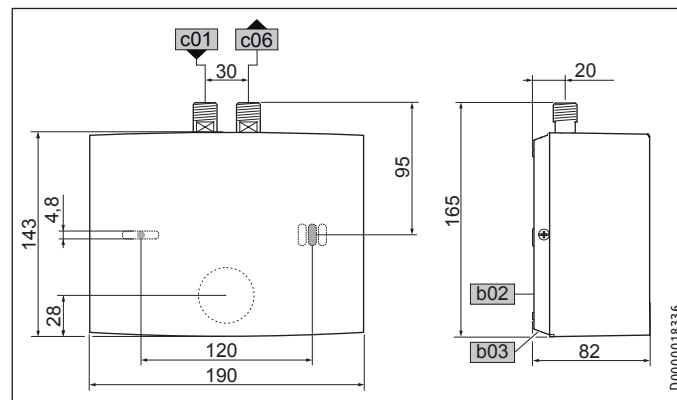
- ▶ Zdemontowane urządzenie przechowywać w miejscu zabezpieczonym przed mrozem, ponieważ resztki wody pozostałe w urządzeniu mogą doprowadzić do jego zamrożenia i uszkodzenia.

### 14.5 Wymiana elektrycznego przewodu przyłączeniowego w EIL 6 Trend

- ▶ W razie wymiany w urządzeniu EIL 6 Trend należy zastosować elektryczny przewód przyłączeniowy o przekroju 4 mm<sup>2</sup>.

## 15. Dane techniczne

### 15.1 Wymiary i przyłącza



		EIL Trend	
b02	Przepust na przewody elektr. I		
b03	Przepust na przewody elektr. II		
c01	Zimna woda, zasilanie	Gwint zewnętrzny	G 3/8 A
c06	Ciepła woda, wyjście	Gwint zewnętrzny	G 3/8 A

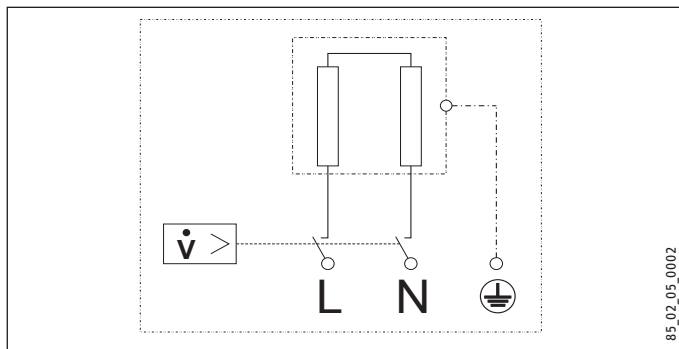


# INSTALACJA

## Dane techniczne

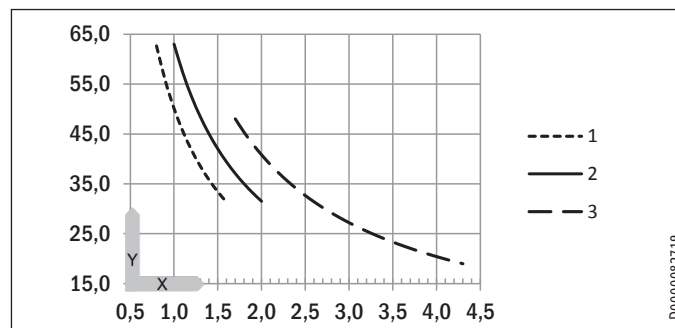
### 15.2 Schemat połączeń elektrycznych

1/N/PE ~ 200-240 V



### 15.3 Podwyższenie temperatury

W przypadku napięcia 230 V osiągane są następujące podwyższenia temperatury wody:



X Przepływ w l/min

Y Podwyższenie temperatury w K

1 3,5 kW – 230 V

2 4,4 kW – 230 V

3 5,7 kW – 230 V

Przykład EIL 3 Trend z 3,5 kW

Przepływ	l/min	1,6
Podwyższenie temperatury	K	31
Temperatura zasilania zimnej wody	°C	12
Maksymalna możliwa temperatura na wyjściu	°C	43

# INSTALACJA

## Dane techniczne

### 15.4 Zakresy stosowania

Oporność elektryczna właściwa i przewodność elektryczna właściwa, patrz „Tabela danych”

Wartość znamionowa przy 15 °C			20 °C			25 °C		
Oporność właściwa $\rho \geq$	Przewodność właściwa $\sigma \leq$		Oporność właściwa $\rho \geq$	Przewodność właściwa $\sigma \leq$		Oporność właściwa $\rho \geq$	Przewodność właściwa $\sigma \leq$	
$\Omega \text{ cm}$	mS/m	$\mu\text{S/cm}$	$\Omega \text{ cm}$	mS/m	$\mu\text{S/cm}$	$\Omega \text{ cm}$	mS/m	$\mu\text{S/cm}$
1100	91	909	970	103	1031	895	112	1117

### 15.5 Dane dotyczące zużycia energii

Karta danych produktu: Konwencjonalny podgrzewacz ciepłej wody użytkowej zgodnie z rozporządzeniem (UE) nr 812/2013 | 814/2013

	EIL 4 Trend	EIL 6 Trend
Producent	200143	200144
Profil obciążeń	STIEBEL ELTRON	STIEBEL ELTRON
Klasa efektywności energetycznej	XXS	XXS
Sprawność energetyczna	A	A
Roczne zużycie prądu	%	39
Poziom mocy akustycznej	kWh	478
Szczególne uwagi dotyczące pomiaru efektywności	dB(A)	15
Dzienne zużycie prądu	Brak	Brak
	kWh	2,200

# INSTALACJA

## Dane techniczne

### 15.6 Tabela danych

		EIL 3 Trend				EIL 4 Trend				EIL 6 Trend			
		200142				200143				200144			
<b>Dane elektryczne</b>													
Napięcie znamionowe	V	200	220	230	240	200	220	230	240	200	220	230	240
Moc znamionowa	kW	2,7	3,2	3,53	3,8	3,3	4,0	4,4	4,8	4,3	5,2	5,7	6,2
Prąd znamionowy	A	13,3	14,5	15,2	15,8	16,7	18,2	19,1	20	21,6	23,6	24,7	25,8
Zabezpieczenie	A	16				20				25	25	25	32
Częstotliwość	Hz	50/60				50/60				50/60			
Fazy		1/N/PE				1/N/PE				1/N/PE			
Maks. impedancja sieci przy 50 Hz	Ω									0,394	0,377	0,361	
Oporność właściwa $\rho_{15} \geq$	Ω cm	1100				1100				1100			
Przewodność właściwa $\sigma_{15} \leq$	μS/cm	909				909				909			
<b>Przyłącza</b>													
Przyłącze wody		G 3/8 A				G 3/8 A				G 3/8 A			
<b>Granice stosowania</b>													
Maks. dopuszczalne ciśnienie	MPa	0				0				0			
<b>Parametry</b>													
Maks. dopuszczalna temperatura wody na zasilaniu	°C	15				15				35			
Włączone	l/min	> 1,0				> 1,3				> 2,6			
Spadek ciśnienia przy przepływie	MPa	0,06				0,07				0,08			
Przepływ przy spadku ciśnienia	l/min	1,0				1,3				2,6			
Ograniczenie przepływu przy	l/min	1,6				2,0				4,3			
Wydajność CWU	l/min	1,6				2,0				2,6			
$\Delta\theta$ przy wydajności	K	31				31				31			
<b>Dane hydrauliczne</b>													
Pojemność znamionowa	l	0,1				0,1				0,1			

# INSTALACJA

## Dane techniczne

		EIL 3 Trend	EIL 4 Trend	EIL 6 Trend
<b>Wykonania</b>				
Montaż powyżej punktu poboru		X	X	X
Montaż poniżej punktu poboru		X	X	X
Konstrukcja bezciśnieniowa		X	X	X
Klasa ochrony		1	1	1
Blok izolacyjny		Tworzywo sztuczne	Tworzywo sztuczne	Tworzywo sztuczne
Wytwornica ciepła systemu grzejnego		Z odkrytą grzałką	Z odkrytą grzałką	Z odkrytą grzałką
Pokrywa i ścianka tylna		Tworzywo sztuczne	Tworzywo sztuczne	Tworzywo sztuczne
Kolor		Biały	Biały	Biały
Stopień ochrony (IP)		IP25	IP25	IP25
<b>Wymiary</b>				
Wysokość	mm	143	143	143
Szerokość	mm	190	190	190
Głębokość	mm	82	82	82
Długość przewodu przyłączeniowego	mm	700	700	700
<b>Masy</b>				
Masa	kg	1,4	1,4	1,4



### Wskazówka

Urządzenie jest zgodne z IEC 61000-3-12.

## Gwarancja

Urządzeń zakupionych poza granicami Niemiec nie obejmują warunki gwarancji naszych niemieckich spółek. Ponadto w krajach, w których jedna z naszych spółek córek jest dystrybutorem naszych produktów, gwarancji może udzielić wyłącznie ta spółka. Taka gwarancja obowiązuje tylko wówczas, gdy spółka-córka sformułowała własne warunki gwarancji. W innych przypadkach gwarancja nie jest udzielana.

Nie udzielamy gwarancji na urządzenia zakupione w krajach, w których żadna z naszych spółek córek nie jest dystrybutorem naszych produktów. Ewentualne gwarancje udzielone przez importera zachowują ważność.

## Ochrona środowiska i recycling

Pomóż chronić środowisko naturalne. Materiały po wykorzystaniu należy utylizować zgodnie z krajowymi przepisami.

## KÜLÖNLEGES TUDNIVALÓK

### KEZELÉS

<b>1. Általános tudnivalók</b>	<b>127</b>
1.1 Biztonsági tudnivalók	127
1.2 A dokumentumban használt egyéb jelölések	128
1.3 Mértékegységek	128
<b>2. Biztonság</b>	<b>129</b>
2.1 Rendeltetésszerű használat	129
2.2 Általános biztonsági tudnivalók	129
2.3 Vizsgálati jelölés	130
<b>3. Készülék-leírás</b>	<b>130</b>
<b>4. Beállítások</b>	<b>130</b>
<b>5. Tisztítás, ápolás és karbantartás</b>	<b>131</b>
<b>6. Hibaelhárítás</b>	<b>131</b>

### FELSZERELÉS

<b>7. Biztonság</b>	<b>132</b>
7.1 Általános biztonsági tudnivalók	132
7.2 Előírások, szabványok és rendelkezések	132
<b>8. Készülék-leírás</b>	<b>132</b>
8.1 A készlet tartalma	132
8.2 Tartozékok	133
<b>9. Előkészületek</b>	<b>133</b>
<b>10. Szerelés</b>	<b>133</b>
10.1 Felszerelési hely	133
10.2 Felszerelési variációk	134

10.3 A elektromos csatlakozás kialakítása	136
<b>11. Üzembe helyezés</b>	<b>137</b>
11.1 Első üzembe helyezés	137
11.2 A készülék átadása	137
11.3 Újbóli üzembe helyezés	138
<b>12. Üzemen kívül helyezés</b>	<b>138</b>
<b>13. Üzemzavar-elhárítás</b>	<b>138</b>
<b>14. Karbantartás</b>	<b>138</b>
14.1 A készülék ürítése	138
14.2 A szűrő tisztítása	139
14.3 A VDE 0701/0702 szerinti vizsgálatok	139
14.4 A készülék tárolása	139
14.5 Az elektromos bekötővezeték cseréje az EIL 6 Trend típus esetén	139
<b>15. Műszaki adatok</b>	<b>140</b>
15.1 Méretek és csatlakozások	140
15.2 Elektromos kapcsolási rajz	140
15.3 Hőmérséklet-növelés	141
15.4 Alkalmazási területek	141
15.5 Energiafogyasztási adatok	142
15.6 Adattáblázat	143

### GARANCIA

### KÖRNYEZETVÉDELEM ÉS ÚJRAHASZNOSÍTÁS

## KÜLÖNLEGES TUDNIVALÓK

- A készüléket 3 éves kort betöltött gyermekek, valamint testi, érzékszervi vagy szellemi fogyatékossgal élők, nem hozzáértő és a terméket nem ismerő személyek csak megfelelő felügyelet mellett vagy a készülék biztonságos használatával kapcsolatos alapvető utasítások és a járulékos veszélyek ismeretében használhatják. Gyermekek nem játszhatnak a készülékkel. Gyermekek nem végezhetik a készülék tisztítását és felhasználói karbantartását felügyelet nélkül.
- A csaptelep hőmérséklete működés közben 50 °C-nál is magasabb lehet. 43 °C-nál magasabb kiömlési hőmérséklet esetén fennáll a leforrázás veszélye.
- A készülék zuhanyozó (zuhany-üzemmód) el-látására nem alkalmas
- Összpólusú, legalább 3 mm érintkező távolsá-gú megszakítóval kell biztosítani a leválasztás lehetőségét a hálózatról.
- A megadott feszültségnek meg kell egyeznie a hálózati feszültséggel.
- Az EIL 3 Trend kivételével a készüléket fixen kell bekötni.
- A hálózati tápkábelt – annak sérülése vagy cseréje esetén – csak a gyártó által jóváha-gyott szakember cserélheti ki eredeti pótal-katrész felhasználásával.
- A készüléket a „Telepítés/Szerelés“ c. fejezet-ben leírtak szerint erősítse fel.
- Ügyeljen a megengedett maximális nyomás-ra (lásd a „Műszaki adatok / Adattáblázat“ c. fejezetet).

- A készülék telepítésekor a fajlagos vízellenállás nem lehet kisebb a vízellátó hálózatra megadott értéknél (lásd a „Műszaki adatok / Adattáblázat“ c. fejezetet).
- Ürítse le a készüléket, a „Telepítés / Karbantartás / A készülék leürítése“ c. fejezet szerint.

## KEZELÉS

### 1. Általános tudnivalók

A „Különleges tudnivalók“, valamint a „Kezelés“ c. fejezet készülékfelhasználók és szakemberek számára készült.

A „Telepítés“ c. fejezet szakemberek számára szükséges információkat tartalmaz.



#### Tudnivaló

A használatot megelőzően gondosan olvassa el ezt az útmutatót és őrizze meg azt.

Ha továbbadja a készüléket, akkor az útmutatót is adja át a következő felhasználónak.

### 1.1 Biztonsági tudnivalók

#### 1.1.1 A biztonsági tudnivalók felépítése



#### JELZŐSZÓ A veszély jellege

Itt a biztonsági utasítások figyelmen kívül hagyásából adódó esetleges következmények találhatók.




► Itt a veszély elhárításához szükséges intézkedések találhatók.



# KEZELÉS

## Általános tudnivalók

### 1.1.2 Szimbólumok, a veszély jellege

Szimbólum	A veszély jellege
	Sérülés
	Áramütés
	Égési sérülés (Égési sérülés, forrázás)

### 1.1.3 Jelzőszavak

JELZŐSZÓ	Jelentése
VESZÉLY	Olyan tudnivalók, amelyek figyelmen kívül hagyása súlyos vagy halálos sérülést okoz.
FIGYELMEZTETÉS	Olyan tudnivalók, amelyek figyelmen kívül hagyása súlyos vagy halálos sérülést okozhat.
VIGYÁZAT	Olyan tudnivalók, amelyek figyelmen kívül hagyása közepesen súlyos vagy könnyű sérülést okozhat.



### 1.2 A dokumentumban használt egyéb jelölések



#### Tudnivaló

A tudnivalókat a szöveg alatt vagy fölött található vízszintes vonalak határolják. Az általános tudnivalókat a mellettük lévő szimbólumok jelölik.

► Gondosan olvassa át a szöveges tudnivalókat.

Szimbólum	Jelentése
	Anyagi kár (a készülék sérülése, következményként fellépő kár, környezeti kár)
	A készülék elszállítása hulladékként

► Ez a szimbólum jelzi Önnek, hogy valamit tennie kell. A szükséges műveleteket lépésről lépésre ismertetjük.

### 1.3 Mértékegységek



#### Tudnivaló

Egyéb előírás híján a méretek mm-ben értendők.

## 2. Biztonság

### 2.1 Rendeltetésszerű használat

A készülék ivóvíz felmelegítésére szolgál. A készüléket mosdókagylóhoz tervezték.

A készülék háztartási használatra készült. A készülék betanítás nélkül is biztonságosan használható. A készülék nem háztartási (pl. kisvállalkozói) környezetben is használható, amennyiben a felhasználás módja azonos.

Az ettől eltérő vagy ezen túlmutató használat rendeltetéstől eltérőnek minősül. A rendeltetésszerű használat egyúttal azt is feltételezi, hogy betartják a jelen útmutatóban valamint az alkalmazott tartozékok útmutatóiban foglaltakat is.

### 2.2 Általános biztonsági tudnivalók



#### Leforrázás VESZÉLYE

A csaptelep hőmérséklete működés közben 50 °C-nál is magasabb lehet.

43 °C-nál magasabb kiömlési hőmérséklet esetén fennáll a leforrázás veszélye.



#### FIGYELMEZTETÉS Sérülés

Ezt a készüléket a 3 éves kort betöltött gyermekek, valamint testi, érzékszervi vagy szellemi fogyatékossgal élők, nem hozzáértő és a terméket nem ismerő személyek abban az esetben használhatják, ha eközben felügyelet alatt állnak vagy ha a készülék biztonságos használatával kapcsolatban betanítást kaptak és a használatból eredő veszélyeket megértették. Gyermekek nem játszhatnak a készülékkel. Gyermekek nem végezhetnek a készülék tisztítását és felhasználói karbantartását felügyelet nélkül.



#### VESZÉLY Áramütés

Szakemberrel ki kell cseréltetni a sérült elektromos csatlakozóvezetékeket. Ezáltal kizárható az esetleges kockázat.



#### Anyagi kár

A készüléket és a csaptelepet védeni kell a fagytól.



### Anyagi kár

Győződjön meg arról, hogy a nyomásmentes készülékben nincs nyomás, mert ellenkező esetben az tönkre mehet:

- ▶ Csak a készülékkel együtt leszállított speciális sugár-szabályzót használja.
- ▶ Ne használjon perlátort vagy sugár-szabályzós tömlőt.
- ▶ Semmiképpen ne zárja el a csaptelep kifolyócsövét.
- ▶ Előzze meg meg a kifolyócsövek vízkövesedését (lásd a „Tisztítás, ápolás és karbantartás“ c. fejezetet).

### 2.3 Vizsgálati jelölés

Lásd a készülék típusabláját.

## 3. Készülék-leírás

A hidraulikus vezérlésű nyomásmentes, átfolyó üzemű mini víz-melegítő a vizet közvetlenül a vételezési helynél melegíti fel. A csaptelep megnyitásakor automatikusan bekapcsolódik a fűtőteltjesítmény. A rövid vezetékhoossznak köszönhetően alacsonyak az energia- és vízveszteségek.

A HMV teljesítmény a hidegvíz hőmérsékletétől, a fűtőteltjesítménytől és az átfolyó mennyiségtől függ.

A csupaszdrtótos fűtésrendszer lágy és kemény víztípusokkal is használható. A fűtésrendszer egyáltalán nem érzékeny a vízke-ménységre. A fűtésrendszer gyors és hatékony melegvíz-ellátást biztosít a mosdókagylónál.

A készülékkel együtt leszállított speciális sugár-szabályzó garan-tálja az optimális vízsugarat.

## 4. Beállítások

A csaptelep melegvíz-szelepének megnyitásakor, illetve érzékelős csaptelep esetén az érzékelő aktiválásakor a készülék fűtésrend-szere automatikusan bekapcsolódik. A víz felmelegszik. A víz hő-mérséklet a csapteleppel állítható:

A bekapcsolási mennyiséggel kapcsolatosan lásd a „Műszaki ada-tok / Adattáblázat / Be“ c. fejezetet.

### A hőmérséklet növelése

- ▶ Fojtsa le a csaptelepen átfolyó mennyiséget.

### A hőmérséklet csökkentése

- ▶ Nyissa tovább a csaptelepet vagy keverjen hozzá több hideg vizet.

### Teendők a vízellátás szüneteltetését követően

Lásd az „Üzembe helyezés / Ismételt üzembe helyezés“ c. fejezetet.

### 5. Tisztítás, ápolás és karbantartás

- ▶ Súroló hatású vagy oldószertartalmú tisztítószerek használata tilos! A készülék ápolása és tisztítása nedves ruhával végezhető.



#### Anyagi kár

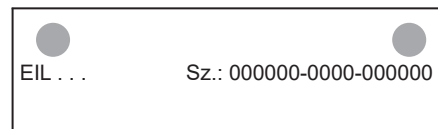
A csaptelep kifolyócsövein lerakódó vízkő miatt nyomás keletkezhet a készülékben, amely tönkretelheti azt.

- ▶ Rendszeresen ellenőrizze a csaptelepeket. A csaptelepek kifolyócsövein lerakódott vízkő kereskedelmi forgalomban kapható vízkőoldóval eltávolítható.
- ▶ Rendszeresen ellenőriztesse a készülék elektromos biztonságát megfelelő szakemberrel.
- ▶ Rendszeresen végezze el a csaptelep speciális sugárszabályzójának vízkőmentesítését, illetve felújítását (lásd az „A készülék leírása / Tartozékok” című fejezetet).

### 6. Hibaelhárítás

Probléma	Ok	Elhárítás
A készülék még akkor sem kapcsolódik be, ha teljesen meg van nyitva a melegvíz-csap.	A készülék nem kap feszültséget.	Ellenőrizze a biztosítékot az épület elektromos rendszerében.
	A csaptelep sugárszabályzója elvízkövesedett vagy elszennyeződött.	Tisztítsa meg és/vagy vízkőmentesítse a sugárszabályzót vagy cserélje ki a speciális sugárszabályzót.
	Megszűnt a vízellátás.	Légtelenítse a készüléket és a hidegvíz-bekötővezetékét (lásd az „Üzembe helyezés / Ismételt üzembe helyezés” c. fejezetet).

Ha az okot nem tudja elhárítani, akkor forduljon szakemberhez. A hatatosabb és gyorsabb segítség érdekében adja meg a típus-táblán feltüntetett gyári számot (000000-0000-00000).



# FELSZERELÉS

## 7. Biztonság

A készülék felszerelését, üzembe helyezését, illetve karbantartását és javítását csak szakember végezheti.

### 7.1 Általános biztonsági tudnivalók

A kifogástalan működést és az üzembiztonságot csak abban az esetben garantáljuk, ha a készülékhez való eredeti tartozékokat és eredeti pótalkatrészeket használják.



#### Anyagi kár

Tartsa be a maximális megengedett beömlési hőmérsékletet. Magasabb hőmérséklet esetén a készülék károsodhat. Központi termosztátos csaptelep esetén a beömlési hőmérséklet korlátozható.



#### Anyagi kár

Csak nyomásmentes csapteleppel működtesse a készüléket.

## 7.2 Előírások, szabványok és rendelkezések



#### Tudnivaló

Tartson be minden nemzeti és helyi előírást, illetve rendelkezést.

A víz fajlagos elektromos ellenállása nem lehet kisebb a típustáblán megadott értéknél. Összekapcsolt vízhálózat esetén figyelembe kell venni a legalacsonyabb elektromos vízellenállás értékre vonatkozó előírást (lásd a „Műszaki adatok / Adattábla” c. fejezetet). A víz fajlagos elektromos ellenállásáról, illetve a víz vezetőképességéről a vízszolgáltatónál tájékozódhat.

## 8. Készülék-leírás

### 8.1 A készlet tartalma

A készülékkel együtt leszállított tartozékok:

- Hidegvíz-bekötővezeték szűrő
- Speciális sugárszabályzó
- Céges logó pult feletti szereléshez

# FELSZERELÉS

## Előkészületek

### 8.2 Tartozékok

#### Speciális sugárszabályzó



##### Tudnivaló

A csaptelep beépített speciális sugárszabályzója optimális vízugarat biztosít.

#### Nyomásmentes csaptelepek

- MAW (OT) Pult feletti szerelésű fali csaptelep
- MAZ (UT) Kétfogantyús mosdó csaptelep
- MAE-W (UTE) Egyfogantyús mosdó csaptelep

## 9. Előkészületek

- ▶ Alaposan öblítse át a vízvezetékét.

#### Vízszelelés

Biztonsági szelepre nincs szükség.

#### Csaptelepek

- ▶ Használjon alkalmas csaptelepeket (lásd az „A készülék leírása / Tartozékok“ c. fejezetet).

## 10. Szerelés

### 10.1 Felszerelési hely

A készüléket fagymentes helyiségben szerelje fel a vízvételi csaptelep közelében.

Ügyeljen arra, hogy a fedél oldalsó rögzítőcsavarjai hozzáférhetőek legyenek.

A készülék pult alá (felső vízcsatlakozókkal) és pult fölé (alsó vízcsatlakozókkal) szerelhető.



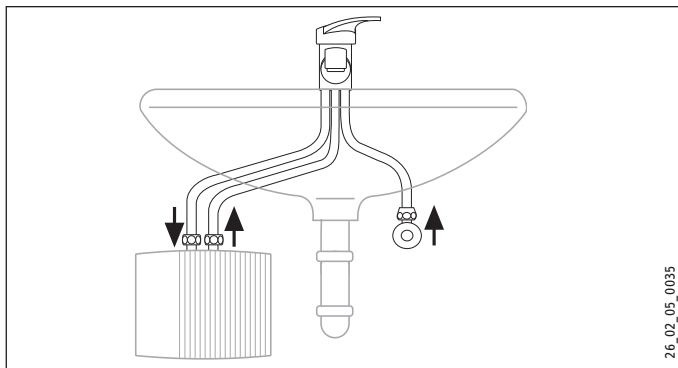
#### VESZÉLY Áramütés

Az IP 25 védettség csak a készülék hátfalának felszerelt állapotában érvényes.

- ▶ Mindig szerelje fel a készülék hátfalát.

### 10.2 Felszerelési variációk

#### 10.2.1 Pult alatti, nyomásmentes szerelés, nyomásmentes csapteleppel



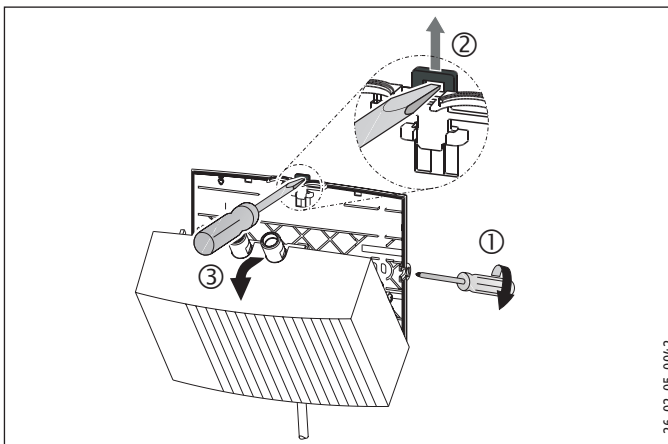
#### 10.2.2 A készülék felszerelése



##### Tudnivaló

A fal teherbírása elegendő kell, hogy legyen.

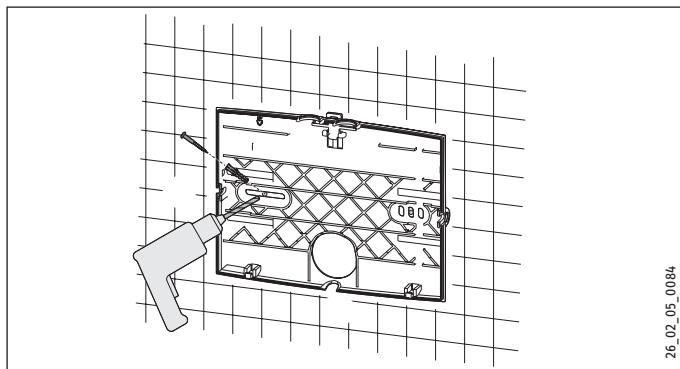
- Szerelje a készüléket a falra.



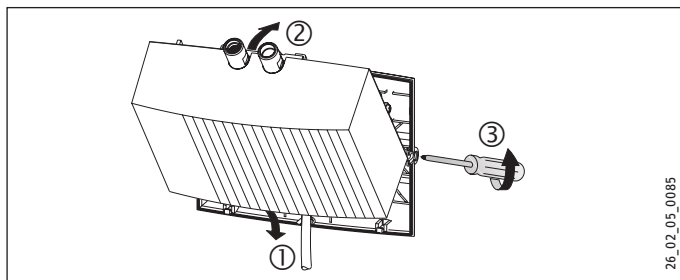
- Lazítsa meg a fedél rögzítőcsavarjait két fordulattal.
- Csavarhúzóval reteszelje ki a csapózárát.
- Előrefelé vegye le a készülék fedelét a fűtésrendszerrel.
- Fogóval törje ki az elektromos bekötővezeték átvezető nyílásait a készülék fedelén. A kitört nyílás egyenetlenségeit reszelővel korrigálhatja.

# FELSZERELÉS

## Szerelés



- ▶ Furósablontként használja a készülék hátfalát.
- ▶ Rögzítse a falhoz a készülék hátfalát megfelelő tiplik és csavarok segítségével.



- ▶ Vezesse be az elektromos bekötővezetékét a hátfali átvezető nyíláson.

- ▶ Alul akassza be a készülékfedelelet a fűtésrendszerrel.
- ▶ Pattintsa a fűtésrendszert a csapózárba.
- ▶ Rögzítse a készülékfedelelet a fedélrögzítő-csavarokkal.

### A csaptelep felszerelése



#### Anyagi kár

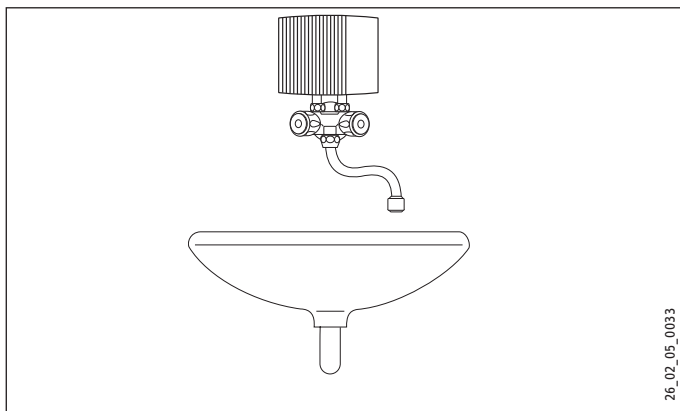
- ▶ Minden csatlakozó szerelésekor a készüléknél 14-es kulcsnyílású kulccsal kell ellentartani.
- ▶ Szerelje fel a csaptelepet. Ennek során vegye figyelembe a csaptelep kezelési és telepítési útmutatójában megadott információkat.



# FELSZERELÉS

## Szerelés

### 10.2.3 Pult feletti, nyomásmentes szerelés, nyomásmentes csapteleppel



#### A csaptelep felszerelése



#### Anyagi kár

- ▶ Minden csatlakozó szerelésekor a készüléknél 14-es kulcsnyílású kulccsal kell ellentartani.
- ▶ Szerelje fel a csaptelepet. Ennek során vegye figyelembe a csaptelep kezelési és telepítési útmutatójában megadott információkat.

#### A készülék felszerelése

- ▶ Szerelje fel a készüléket a vízcsatlakozókkal a csaptelepre.

### 10.3 A elektromos csatlakozás kialakítása



#### VESZÉLY Áramütés

Minden elektromos bekötési és szerelési munkát előírás-szerűen kell végezni.



#### VESZÉLY Áramütés

Feltétlenül csatlakoztassa a készüléket a védővezeték-hez!

Összpólusú, legalább 3 mm érintkezőtávolságú megszakítóval kell biztosítani a leválasztás lehetőségét a hálózatról.



#### VESZÉLY Áramütés

A leszállított készülékek elektromos csatlakozóvezetékkel vannak felszerelve (EIL 3 Trend dugasszal).

A készülék akkor csatlakoztatható fix bekötésű elektromos vezetékhez, ha annak keresztmetszete legalább akkora, mint a készülék szabványos csatlakozóvezetékéé. Maximum 3 x 6 mm<sup>2</sup> keresztmetszetű vezeték használható.

- ▶ Pult feletti szerelés esetén az elektromos bekötővezeteket a készülék mögött kell vezetni.

# FELSZERELÉS

## Üzembe helyezés



### Anyagi kár

Védőérintkezős csatlakozóaljzathoz történő csatlakoztatáskor (dugasszal ellátott elektromos bekötővezeték esetén) ügyeljen arra, hogy a készülék felszerelését követően a védőérintkezős csatlakozóaljzat könnyen hozzáférhető legyen.



### Anyagi kár

Vegye figyelembe a típustáblán szereplő adatokat. A megadott feszültségnek meg kell egyeznie a hálózati feszültséggel.

- ▶ Az elektromos kapcsolási rajz alapján csatlakoztassa az elektromos bekötővezetékét (lásd a „Műszaki adatok / Elektromos kapcsolási rajz” c. fejezetet).

## 11. Üzembe helyezés

### 11.1 Első üzembe helyezés



- ▶ Töltse fel a készüléket a csaptelep szelepeinek többszöri megnyitásával, eltávolítva az összes levegőt a vezetékhalózatból és a készülékből.
- ▶ Ellenőrizze a rendszer tömítettségét.
- ▶ Dugja be az elektromos bekötővezeték dugaszát (ha van) a védőérintkezős csatlakozóaljzatba vagy kapcsolja be az automata biztosítót.
- ▶ Ellenőrizze a készülék működését.
- ▶ Pult feletti szerelésnél a a készletben található céges logót rá kell ragasztani a készüléken lévőre, eltakarva azt.

### 11.2 A készülék átadása

- ▶ Magyarázza el a felhasználónak a készülék működését és ismertesse meg vele annak használatát.
- ▶ Figyelmeztesse a felhasználót az esetleges veszélyekre, különösen a leforrázás veszélyére.
- ▶ Adja át ezt az útmutatót.

### 11.3 Újbóli üzembe helyezés



#### Anyagi kár

A vízellátás szüneteltetését követően a készüléket az alábbi lépésekkel kell újból üzembe helyezni, nehogy a csupaszdrtós fűtőrendszer megrongálódjon.

- ▶ Kapcsolja le a feszültséget a készülékről. Ehhez húzza ki az elektromos bekötővezeték duaszát (ha van) vagy kapcsolja ki az automata biztosítót.
- ▶ Lásd az „Első üzembe helyezés” c. fejezetet.

### 12. Üzemen kívül helyezés

- ▶ Válassza le a készüléket a hálózatról a ház automata biztosítójának kikapcsolásával vagy húzza ki az elektromos bekötővezeték dugaszát.
- ▶ Ürítse le a készüléket (lásd a „Karbantartás” fejezetet).

### 13. Üzemzavar-elhárítás

Probléma	Ok	Elhárítás
A készülék még akkor sem kapcsolódik be, ha teljesen meg van nyitva a melegvíz-csap.	A csaptelep sugárszabályzója elvízkövesedett vagy elszennyeződött.	Tisztítsa meg és/vagy vízkömentesítse a sugárszabályzót vagy cserélje ki a speciális sugárszabályzót.
	A hidegvíz-vezeték szűrője eltömődött.	Tisztítsa ki a szűrőt; ehhez zárja el a hidegvíz bekötővezetékét.

Probléma	Ok	Elhárítás
	A fűtőrendszer meghibásodott.	Mérje meg a fűtőrendszer ellenállását, és szükség esetén cserélje ki a készüléket.

## 14. Karbantartás



#### VESZÉLY Áramütés

Bármilyen munkavégzést megelőzően a készüléket ószpólusúan le kell választani az elektromos hálózatról!

### 14.1 A készülék ürítése



#### Leforrzás VESZÉLYE

Ürítéskor a készülékből forró víz folyhat ki.

A következőképpen kell eljárni, amennyiben a készüléket karbantartás vagy fagyvédelem céljából le kell üríteni:

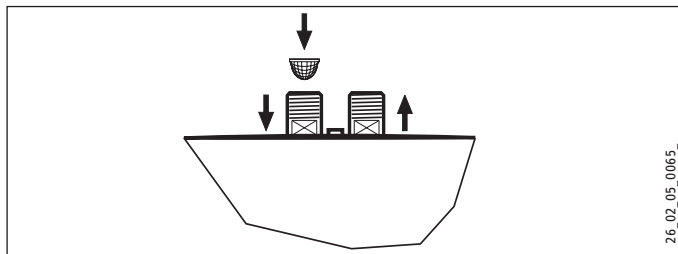
- ▶ Zárja el a hidegvíz-bekötővezeték zárószelepét.
- ▶ Nyissa ki a vízvételi szelepet.
- ▶ Szerelje le a vízcsatlakozásokat a készülékről.

# FELSZERELÉS

## Karbantartás

### 14.2 A szűrő tisztítása

A beépített szűrőt a hidegvíz-bekötővezeték kiszerezését követően lehet tisztítani.



### 14.3 A VDE 0701/0702 szerinti vizsgálatok

#### A védővezeték ellenőrzése

- ▶ Vizsgálja meg a védővezetékét (Németországban pl. DGUV A3) a készülék elektromos bekötővezetékének védővezeték-érintkezőjénél és a készülék csatlakozócsonkjánál.

#### Szigetelési ellenállás

- ▶ Ha egy 3,5 kW-nál nagyobb névleges fűtőteljesítményű készülék szigetelési ellenállása nem éri el a 300 k $\Omega$ -ot, akkor javasoljuk, hogy ellenőrizze a készülék szigetelési tulajdonságait; ehhez mérje meg a védővezetékben folyó áram, illetve a szivárgóáram különbségét a VDE 0701/0702 (C.3b. ábra) szabvány szerint.

### 14.4 A készülék tárolása

- ▶ A készüléket leszerelt állapotban is kizárólag fagymentes helyen tárolja, mivel a berendezésben található maradékvíz is károkat okozhat.

### 14.5 Az elektromos bekötővezeték cseréje az EIL 6 Trend típus esetén

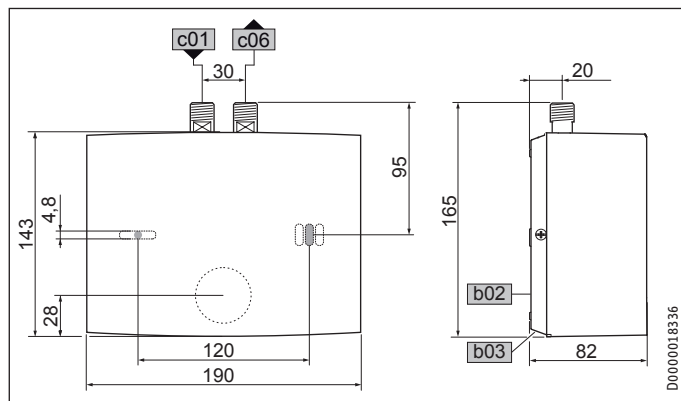
- ▶ Az EIL 6 Trend típusnál az elektromos bekötővezeték cseréjekor 4 mm<sup>2</sup> keresztmetszetű elektromos bekötővezetékot kell használni.

# FELSZERELÉS

## Műszaki adatok

### 15. Műszaki adatok

#### 15.1 Méretek és csatlakozások

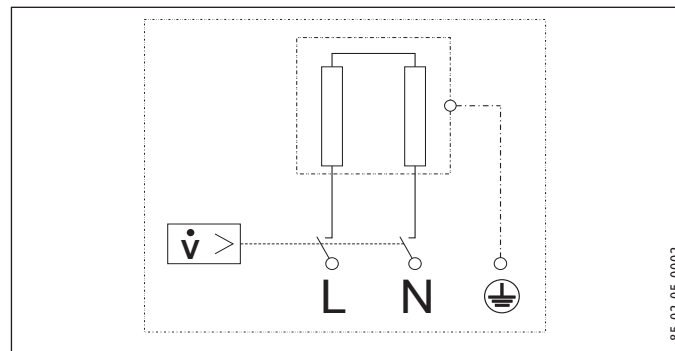


EIL Trend

b02	Elektr. vezeték átvezetése I		
b03	Elektr. vezeték átvezetése II		
c01	Hidegvíz-bevezetés	Külső menet	G 3/8 A
c06	Melegvíz-kifolyás	Külső menet	G 3/8 A

#### 15.2 Elektromos kapcsolási rajz

1/N/PE ~ 200-240 V

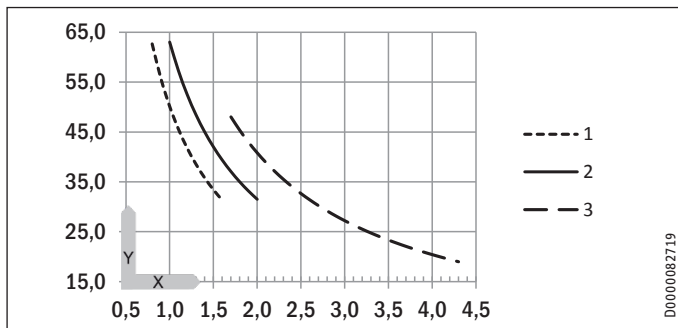


# FELSZERELÉS

## Műszaki adatok

### 15.3 Hőmérséklet-növelés

230 V feszültség esetén a következő vízhőmérséklet-növekedések adódnak:



X Térfogatáram, l/perc  
Y Hőmérséklet-növekedés, K

- 1 3,5 kW – 230 V
- 2 4,4 kW – 230 V
- 3 5,7 kW – 230 V

Például az EIL 3 Trend típusnál, 3,5 kW teljesítmény esetén

Térfogatáram	l/perc	1,6
Hőmérséklet-növelés	K	31
Hideg víz beömlési hőmérséklet	°C	12
Maximális elérhető kiömlési hőmérséklet	°C	43

### 15.4 Alkalmazási területek

Fajlagos elektromos ellenállás és fajlagos elektromos vezetőképesség (lásd az „Adattáblázat“ c. fejezetet)

Szabványos érték 15 °C-on			20 °C			25 °C		
Fajlagos ellenállás	Fajlagos vezetőképesség $\sigma \leq$	$\rho \geq$	Fajlagos ellenállás	Fajlagos vezetőképesség $\sigma \leq$	$\rho \geq$	Fajlagos ellenállás	Fajlagos vezetőképesség $\sigma \leq$	$\rho \geq$
$\Omega \text{ cm}$	mS/m	$\mu\text{S/cm}$	$\Omega \text{ cm}$	mS/m	$\mu\text{S/cm}$	$\Omega \text{ cm}$	mS/m	$\mu\text{S/cm}$
1100	91	909	970	103	1031	895	112	1117

# FELSZERELÉS

## Műszaki adatok

### 15.5 Energiafogyasztási adatok

Termék-adatlap: Hagyományos vízmelegítő a 812/2013/EU - 814/2013/EU rendelet előírásai szerint

		EIL 4 Trend	EIL 6 Trend
		200143	200144
Gyártó		STIEBEL ELTRON	STIEBEL ELTRON
Terhelési profil		XXS	XXS
Energiahatékonysági osztály		A	A
Energetikai hatásfok	%	39	39
Éves villamosenergia-fogyasztás	kWh	478	478
Hangteljesítményszint	dB(A)	15	15
A hatékonyság mérésére vonatkozó különleges tudnivalók		nincs	nincs
Napi villamosenergia-fogyasztás	kWh	2,200	2,200

# FELSZERELÉS

## Műszaki adatok

### 15.6 Adattáblázat

		EIL 3 Trend				EIL 4 Trend				EIL 6 Trend			
		200142				200143				200144			
<b>Elektromos adatok</b>													
Névleges feszültség	V	200	220	230	240	200	220	230	240	200	220	230	240
Névleges teljesítmény	kW	2,7	3,2	3,53	3,8	3,3	4,0	4,4	4,8	4,3	5,2	5,7	6,2
Névleges áram	A	13,3	14,5	15,2	15,8	16,7	18,2	19,1	20	21,6	23,6	24,7	25,8
Biztosíték	A	16				20				25	25	25	32
Frekvencia	Hz	50/60				50/60				50/60			
Fázisok		1/N/PE				1/N/PE				1/N/PE			
Max. hálózati impedancia 50 Hz esetén	$\Omega$									0,394	0,377	0,361	
Fajlagos ellenállás $\rho_{15} \geq$	$\Omega$ cm	1100				1100				1100			
Fajlagos vezetőképesség $\sigma_{15} \leq$	$\mu S/cm$	909				909				909			
<b>Csatlakozók</b>													
Vízcsatlakozó		G 3/8 A				G 3/8 A				G 3/8 A			
<b>Alkalmazási határértékek</b>													
Megengedett max. nyomás	MPa	0				0				0			
<b>Értékek</b>													
Megengedett max. bömlési hőmérséklet	$^{\circ}C$	15				15				35			
Be	l/perc	> 1,0				> 1,3				> 2,6			
Nyomásesés adott térfogatáram esetén	MPa	0,06				0,07				0,08			
Térfogatáram adott nyomásesés esetén	l/perc	1,0				1,3				2,6			
Térfogatáram-határolási érték	l/perc	1,6				2,0				4,3			
Melegvíz-előállítási kapacitás	l/perc	1,6				2,0				2,6			
$\Delta\theta$ a fenti kapacitás esetén	K	31				31				31			
<b>Hidraulikai adatok</b>													
Névleges úrtartalom	l	0,1				0,1				0,1			



# FELSZERELÉS

## Műszaki adatok

		EIL 3 Trend	EIL 4 Trend	EIL 6 Trend
<b>Kiviteli változatok</b>				
Pult fölé szerelhető változat		X	X	X
Pult alá szerelhető változat		X	X	X
Nyílt rendszerű		X	X	X
Védettségi osztály		1	1	1
Szigetelőblokk		Műanyag	Műanyag	Műanyag
A fűtőrendszer fűtőberendezése		Csupaszdrót	Csupaszdrót	Csupaszdrót
Fedél és hátlap		Műanyag	Műanyag	Műanyag
Szín		fehér	fehér	fehér
Védettség (IP)		IP25	IP25	IP25
<b>Méreték</b>				
Magasság	mm	143	143	143
Szélesség	mm	190	190	190
Mélység	mm	82	82	82
A csatlakozókábel hossza	mm	700	700	700
<b>Súlyadatok</b>				
Súly	kg	1,4	1,4	1,4



### Tudnivaló

A készülék megfelel az IEC 61000-3-12 előírásainak.

## Garancia

A Németországon kívül vásárolt készülékekre nem érvényesek cégünk németországi vállalatainak garanciális feltételei. Az olyan országokban, amelyekben termékeinket egy leányvállalatunk terjeszti, a garanciát elsősorban a leányvállalatunk biztosítja. Garancia csak akkor nyújtható, ha az adott leányvállalat kiadta saját garanciális feltételeit. Azon felül semmilyen garanciát nem nyújtunk.

Az olyan készülékekre nem tudunk garanciát biztosítani, amelyek olyan országokban vásároltak meg, amelyekben nincs leányvállalatunk. Ezek a rendelkezések nem érintik az importőr által biztosított esetleges garanciát.

## Környezetvédelem és újrahasznosítás

Kérjük, segítsen a környezet védelmében. Használat után az anyagokat a helyi hatósági előírások szerint kell hulladékba juttatni.

## INDICAȚII SPECIALE

### OPERARE

<b>1. Instrucțiuni generale</b>	<b>148</b>
1.1 Indicații de siguranță	148
1.2 Alte marcaje în această documentație	149
1.3 Unități de măsură	149
<b>2. Siguranța</b>	<b>150</b>
2.1 Utilizarea conformă cu destinația	150
2.2 Indicații generale de siguranță	150
2.3 Marcaj de verificare	151
<b>3. Descrierea instalației</b>	<b>151</b>
<b>4. Setările</b>	<b>151</b>
<b>5. Curățarea, îngrijirea și întreținerea</b>	<b>152</b>
<b>6. Remedierea problemelor</b>	<b>152</b>

### INSTALARE

<b>7. Siguranța</b>	<b>153</b>
7.1 Indicații generale de siguranță	153
7.2 Prevederi, norme și reglementări	153
<b>8. Descrierea instalației</b>	<b>153</b>
8.1 Conținutul livrării	153
8.2 Accesorii	154
<b>9. Pregătiri</b>	<b>154</b>
<b>10. Montaj</b>	<b>154</b>
10.1 Loc montaj	154
10.2 Alternative de montaj	155

10.3 Realizare conexiuni electrice	157
<b>11. Punerea în funcțiune</b>	<b>158</b>
11.1 Prima punere în funcțiune	158
11.2 Predarea aparatului	158
11.3 Repunerea în funcțiune	158
<b>12. Oprirea aparatului</b>	<b>159</b>
<b>13. Remedierea perturbațiilor</b>	<b>159</b>
<b>14. Întreținerea</b>	<b>159</b>
14.1 Golirea aparatului	159
14.2 Curățați sita	160
14.3 Verificări conform VDE 0701/0702	160
14.4 Depozitarea aparatului	160
14.5 Înlocuirea conductorului electric de conectare la EIL 6 Trend	160
<b>15. Date tehnice</b>	<b>161</b>
15.1 Dimensiuni și racorduri	161
15.2 Schemă de conexiune electrică	161
15.3 Creșterea temperaturii	162
15.4 Domenii de utilizare	162
15.5 Informații privind consumul de energie	163
15.6 Tabel de date	164

### GARANȚIE

### MEDIU ȘI RECICLARE

# INDICAȚII SPECIALE

- Aparatul poate fi utilizat atât de copii peste 3 ani, cât și de persoanele cu capacități corporale, senzoriale sau mentale reduse sau cu deficiențe privind experiența și cunoștințele, dacă au fost supravegheate ori instruite referitor la utilizarea sigură a aparatului și la pericolele care rezultă astfel. Copiii nu au voie să se joace cu aparatul. Curățarea și întreținerea realizate de utilizator nu pot fi executate de copii fără supraveghere.
- Garnitura poate atinge în timpul utilizării o temperatură de peste 50 °C. În cazul temperaturilor de ieșire mai mari de 43 °C există pericolul de opărire.
- Aparatul nu este adecvat pentru alimentarea unui duș (funcționare ca duș).
- Aparatul trebuie deconectat de la rețeaua de curent de la toți polii pe o distanță minimă de 3 mm.
- Tensiunea indicată trebuie să corespundă tensiunii de rețea.
- Aparatul trebuie conectat permanent la un cablaj fix, excepție EIL 3 Trend.
- Înlocuirea cablului electric de racordare la rețea în caz de deteriorare este permis să fie efectuată numai de către un electrician autorizat de către producător cu o piesă de schimb originală.
- Fixați aparatul ca la descrierea din capitolul „Instalarea / Montajul”.
- Respectați presiunea maximă admisă (vezi capitolul „Date tehnice / Tabel de date).

### Instrucțiuni generale

- Rezistența specifică a apei din rețeaua de alimentare cu apă nu are voie să fie depășită (vezi capitolul „Instalare / Date tehnice / Tabel de date”).
- Goliți aparatul conform descrierii din capitolul „Instalarea / Întreținerea / Golirea aparatului”.

## OPERARE

### 1. Instrucțiuni generale

Capitolul „Indicații speciale” și „Operare” se adresează utilizatorului aparatului și tehnicianului de specialitate.

Capitolul „Instalare” se adresează tehnicianului de specialitate.



#### Indicație

Citiți cu atenție aceste instrucțiuni înainte utilizării și păstrați-le bine.

Predați de asemenea instrucțiunile de utilizare următorului utilizator.

### 1.1 Indicații de siguranță

#### 1.1.1 Structura instrucțiunilor de siguranță



#### CUVÂNT DE SEMNALIZARE Tipul pericolului




Aici sunt înscrise posibilele urmări ale nerespectării indicațiilor de siguranță.

► Aici sunt înscrise măsurile de protecție contra pericolului.

## OPERARE

### Instrucțiuni generale

#### 1.1.2 Simboluri, tipul pericolului

Simbol	Tipul pericolului
	Rănire
	Electrocutare
	Arsură (arsură, opărire)

#### 1.1.3 Cuvinte semnal

CUVÂNT SEM-NAL	Semnificație
PERICOL	Indicații, a căror nerespectare cauzează răniri grave sau deces.
AVERTIZARE	Indicații, a căror nerespectare poate cauza răniri grave sau deces.
ATENȚIE	Indicații, a căror nerespectare poate cauza răniri de gravitate medie sau ușoară.

#### 1.2 Alte marcaje în această documentație



##### Indicație

Indicațiile sunt încadrate de linii orizontale deasupra și dedesubtul textului. Indicațiile generale sunt marcate cu simbolul alăturat.

► Citiți cu atenție textele acestor indicații.

##### Simbol

##### Semnificație



Pagube materiale (deteriorarea aparatelor, deteriorări consecutive, poluarea mediului înconjurător)



Scoaterea din uz a aparatelor

► Acest simbol vă arată că trebuie să acționați. Manevrelle necesare vor fi descrise pas cu pas.

#### 1.3 Unități de măsură



##### Indicație

Dacă a fost altfel precizat, unitățile de măsură utilizate sunt milimetri.

## 2. Siguranța

### 2.1 Utilizarea conformă cu destinația

Aparatul este conceput pentru încălzirea apei potabile. Aparatul este destinat utilizării pentru un lavoar.

Aparatul este prevăzut pentru instalarea în mediul casnic. Poate fi utilizat în siguranță de persoane neinstruite. Aparatul poate fi utilizat și în spații nedestinate locuirii, de exemplu în mici ateliere, în măsura în care exploatarea se realizează în același mod.

O altfel de utilizare nu este considerată conformă. Pentru o utilizare conformă cu destinația trebuie respectate aceste instrucțiuni precum și instrucțiunile accesoriilor utilizate.

### 2.2 Indicații generale de siguranță



**PERICOL de opărire**  
Garnitura poate atinge în timpul utilizării o temperatură de peste 50 °C.  
În cazul temperaturilor de ieșire mai mari de 43 °C există pericolul de opărire.



**AVERTIZARE Rănire**  
Aparatul poate fi utilizat atât de copii peste 3 ani, cât și de persoanele cu capacități corporale, senzoriale sau mentale reduse sau cu deficiențe privind experiența și cunoștințele, dacă au fost supravegheate sau instruite referitor la utilizarea sigură a aparatului și la pericolele care rezultă astfel. Copiii nu au voie să se joace cu aparatul. Curățarea și întreținerea realizate de utilizator nu pot fi executate de copii fără supraveghere.



**PERICOL de electrocutare**  
Cablu electric de racordare deteriorat trebuie înlocuit de un tehnician de specialitate. Se exclude astfel o posibilă periclitate.



**Pagube materiale**  
Protejați aparatul și armătura contra înghețului.



#### **Pagube materiale**

Asigurați-vă asupra faptului că aparatul depresurizat nu este supus niciunei presiuni, în caz contrar putând să se distrugă:

- ▶ Utilizați numai regulatorul de jet special livrat în pachet.
- ▶ Nu utilizați perlatoare sau furtunuri cu regulator de jet.
- ▶ Nu obturați niciodată căile de evacuare ale armăturii.
- ▶ Preveniți depunerile de calcar la evacuările armăturii (vezi capitolul „Curățarea, Îngrijirea și întreținerea”).

### **2.3 Marcaj de verificare**

Vezi placa de identificare la aparat.

### **3. Descrierea instalației**

Încălzitorul instant mini controlat hidraulic fără presiune încălzește apa direct la locul de extracție. La deschiderea armăturii se cuplează automat încălzirea. Prin intermediul conductelor scurte se reduc pierderile de energie și apă.

Conducta apă caldă depinde de temperatura apei reci, de capacitatea de încălzire și de debit.

Sistemul de căldură cu conductor neizolat este adecvat atât pentru apă săracă în calcar cât și pentru apă cu conținut de calcar. Sistemul de încălzire nu este sensibil la depunerea de calcar. Sistemul de încălzire asigură o alimentare rapidă și eficientă a apei calde la lavoar.

La montarea regulatorului de jet special anexat obțineți un jet optim de apă.

### **4. Setările**

În momentul în care deschideți robinetul de apă caldă la armătură sau se acționează senzorul la armătura cu senzor, sistemul de încălzire al aparatului se cuplează automat. Apa se încălzește. Puteți modifica temperatura apei prin intermediul armăturii:

Pentru cantitățile de pornire vezi capitolul „Date tehnice / Tabel de date / Pornire”.

#### **Creșterea temperaturii**

- ▶ Reglați debitul prin intermediul armăturii.

#### **Reducerea temperaturii**

- ▶ Deschideți mai mult armătura sau amestecați cu mai multă apă rece.

#### **După întreruperea alimentării cu apă**

Vezi capitolul „Punerea în funcțiune / Repunerea în funcțiune”.



### 5. Curățarea, îngrijirea și întreținerea

- ▶ Nu utilizați detergenți abrazivi sau solvenți. Pentru îngrijirea și curățarea aparatului este suficientă o lavetă umedă.



#### Pagube materiale

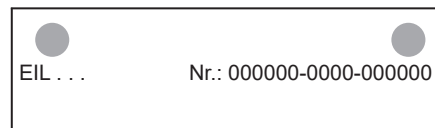
Depunerile de calcar la căile de evacuare ale armăturii pot genera presiune în aparat și event. distrugerea acestuia.

- ▶ Controlați garniturile în mod regulat. Calcarul depus la căile de evacuare ale bateriei se poate îndepărta cu soluții de decalcifiere din comerț.
- ▶ Lăsați la verificat în mod regulat siguranța electrică a aparatului de către un specialist.
- ▶ Decalcificați sau înlocuiți în mod regulat regulatorul de jet special din armătură (vezi capitolul „Descrierea aparatului / Accesorii”).

### 6. Remedierea problemelor

Problemă	Cauză	Remediere
Sistemul de încălzire nu se conectează, cu toate că robinetul de apă caldă a fost deschisă complet.	La aparat nu există tensiune de alimentare.	Verificați siguranța la tabloul electric.
	La regulatorul de jet din armătură sunt depuneri de calcar sau este murdar.	Curățați și / sau decalcificați regulatorul de jet sau înlocuiți regulatorul de jet special.
	Alimentarea cu apă este întreruptă.	Aerisiți aparatul și conducta de alimentare cu apă rece (vezi capitolul „Punerea în funcțiune / Repunerea în funcțiune”).

Dacă nu puteți remedia cauza, contactați tehnicianul de specialitate. Pentru un ajutor mai bun și mai rapid, comunicați acestuia numărul de pe placa de identificare cu (000000-0000-000000).



# INSTALARE

## 7. Siguranța

Instalarea, punerea în funcțiune, precum și întreținerea și repararea aparatului nu sunt permise decât tehnicianului de specialitate.

### 7.1 Indicații generale de siguranță

Buna funcționare și siguranța aparatului sunt garantate numai dacă sunt utilizate accesoriile și piesele de schimb originale prevăzute pentru aparat.



#### Pagube materiale

Respectați temperatura maximă de alimentare admisă. La temperaturi mai înalte aparatul se poate deteriora. Cu o armătură termostatată centrală puteți limita temperatura de intrare.



#### Pagube materiale

Exploatați aparatul numai cu armături fără presiune.

## 7.2 Prevederi, norme și reglementări



#### Indicație

Respectați toate prevederile și reglementările naționale și locale.

Rezistența electrică specifică a apei nu trebuie să fie mai mică decât cea indicată pe placa de identificare. În cazul unei rețele colective de apă respectați rezistența electrică cea mai redusă a apei (vezi capitolul „Date tehnice / Tabel de date”). Rezistența electrică specifică, sau conductibilitatea electrică a apei, o veți afla de la întreprinderea locală de alimentare a apei.

## 8. Descrierea instalației

### 8.1 Conținutul livrării

Împreună cu aparatul sunt livrate:

- Sită pentru alimentarea cu apă rece
- Regulator de jet special
- Logo firmă pentru montajul deasupra chiuvetei

# INSTALARE

## Pregătiri

### 8.2 Accesorii

#### Regulator de jet special



##### Indicație

La montarea unui regulator de jet special în armătură obțineți un jet optim de apă.

#### Armături fără presiune

- MAW (OT) Armătură de perete pentru montaj deasupra chiuvetei
- MAZ (UT) Armătură lavoar cu doi robineti
- MAE-W (UTE) Armătură lavoar cu un robinet

## 9. Pregătiri

- ▶ Purjați temeinic conducta de apă.

#### Instalație apă

Nu este necesar un ventil de siguranță.

#### Garnituri

- ▶ Utilizați armături adecvate (vezi capitolul „Descriere aparate / Accesorii”).

## 10. Montaj

### 10.1 Loc montaj

Montați aparatul într-o încăpere ferită de îngheț în apropierea unei armături de extragere.

Acordați atenție accesului lateral facil la șuruburile de fixare a capacelor.

Aparatul este adecvat montajului sub chiuvetă (racorduri de apă în sus) și montajului deasupra chiuvetei (racorduri de apă în jos).



#### PERICOL de electrocutare

Tipul de protecție IP25 este prevăzut numai dacă panoul din spate al aparatului este montat.

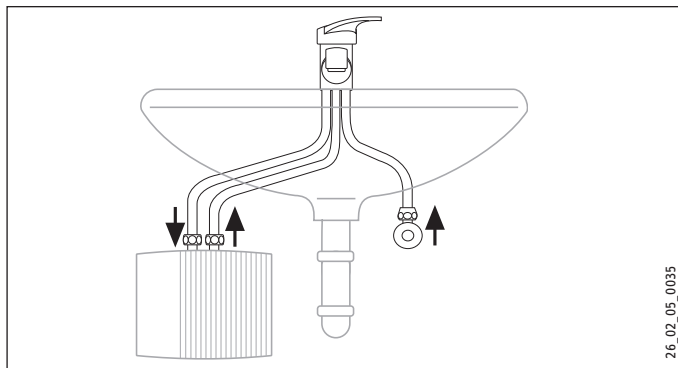
- ▶ Montați întotdeauna panoul din spate al aparatului.

# INSTALARE

## Montaj

### 10.2 Alternative de montaj

#### 10.2.1 Montarea sub chiuvetă, fără presiune, cu armătură fără presiune



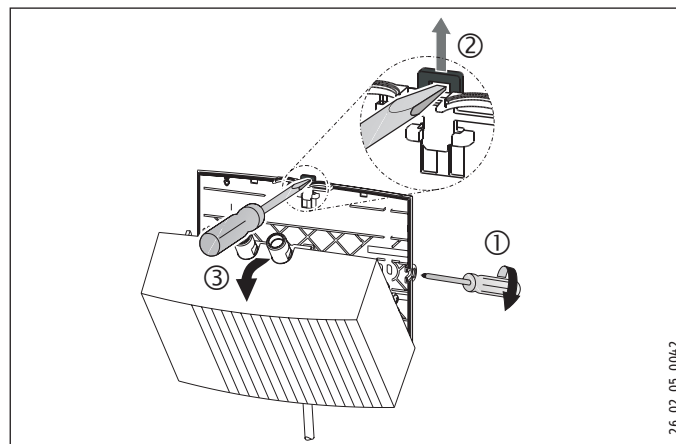
#### 10.2.2 Montarea aparatului



##### Indicație

Peretele trebuie să aibă o capacitate portantă suficientă.

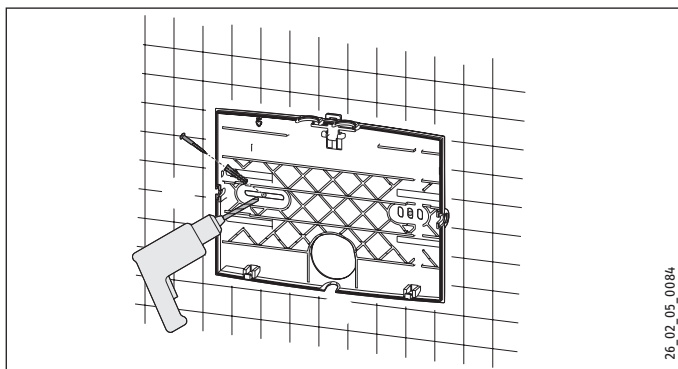
- ▶ Montați aparatul la perete.



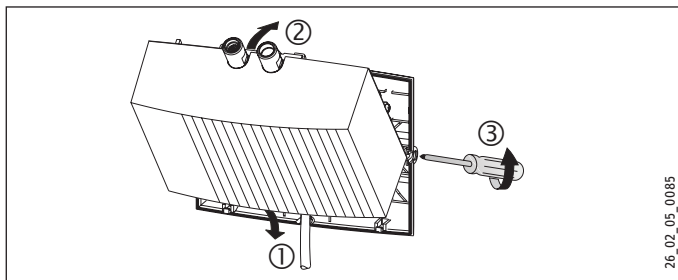
- ▶ Desfaceți șuruburile de fixare ale capacului cu două rotații.
- ▶ Deblocați închiderea cu resort cu o șurubelniță.
- ▶ Scoateți capacul aparatului cu sistem de încălzire în față.
- ▶ Realizați trecerile pentru cablul electric în capacul aparatului cu ajutorul unui clește. Corectați conturul event. cu o pilă.

## INSTALARE

### Montaj



- ▶ Utilizați panoul din spatele aparatului drept șablon de găurire.
- ▶ Fixați panoul din spatele aparatului cu dibluri și șuruburi adecvate la perete.



- ▶ Introduceți cablul electric prin orificiul de trecere al panoului din spate.
- ▶ Atârnați capacul aparatului împreună cu sistemul de încălzire la partea inferioară.
- ▶ Blocați sistemul de încălzire în închizătoarea cu resort.
- ▶ Fixați capacul aparatului cu șuruburile de fixare ale capacului.

### Montarea armăturii



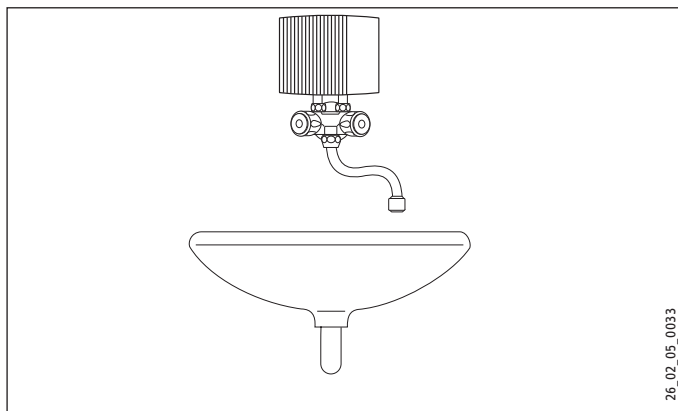
#### Pagube materiale

- ▶ La montarea tuturor racordurilor trebuie să țineți contra la aparat cu o cheie SW 14.
- ▶ Montați armătura. Acordați atenție la efectuarea acestei operațiuni și instrucțiunilor de instalare și utilizare ale armăturii.

## INSTALARE

### Montaj

#### 10.2.3 Montarea deasupra chiuvetei, fără presiune, cu armătură fără presiune



#### Montarea armăturii



##### Pagube materiale

- ▶ La montarea tuturor racordurilor trebuie să țineți contra cu o cheie SW 14.
- ▶ Montați armătura. Acordați atenție la efectuarea acestei operațiuni și instrucțiunilor de instalare și utilizare ale armăturii.

#### Montajul aparatului

- ▶ Montați aparatul cu racordurile de apă la armătură.

#### 10.3 Realizare conexiuni electrice



##### PERICOL de electrocutare

Efectuați toate lucrările de conexiune și instalare conform prevederilor.



##### PERICOL de electrocutare

Acordați atenție ca aparatul să fie conectat la conductorul de protecție.

Aparatul trebuie deconectat de la rețeaua de curent de la toți polii pe o distanță minimă de 3 mm.



##### PERICOL de electrocutare

În starea de livrare, aparatele sunt echipate cu un cablu electric (EIL 3 Trend cu ștecăr).

O conectare la un cablu electric pozat fix este posibilă dacă aceasta are o secțiune minimă corespunzătoare cablului electric de serie al aparatului. Maxim este posibilă o secțiune a cablului de 3 x 6 mm<sup>2</sup>.

- ▶ La o montare deasupra chiuvetei a aparatului trebuie să pozați un cablu electric prin spatele aparatului.



### Pagube materiale

Acordați atenție faptului ca la racordarea unei prize cu contact de protecție (în cazul unui cablu electric cu ștecăr) ca priza cu contact de protecție să fie liber accesibilă după instalarea aparatului.



### Pagube materiale

Observați placa de identificare a aparatului. Tensiunea indicată trebuie să corespundă tensiunii de rețea.

- ▶ Conectați cablul electric în conformitate cu planul electric (vezi capitolul „Date tehnice / Schema de conexiuni electrice”).

## 11. Punerea în funcțiune

### 11.1 Prima punere în funcțiune



- ▶ Umpleți aparatul prin mai multe porniri succesive la armătură până când rețeaua de conducte și aparatul nu mai conțin aer.

- ▶ Realizați un control al etanșeității.
- ▶ Introduceți ștecărul cu cablu electric, dacă este prevăzut, în priza cu contact de protecție sau cuplați siguranța.
- ▶ Verificați modul de funcționare al aparatului.
- ▶ La un montaj deasupra chiuvetei trebuie să lipiți deasupra logo-ului firmei logo-ul firmei anexat în pachet.

### 11.2 Predarea aparatului

- ▶ Explicați utilizatorului funcționarea aparatului și obișnuința cu utilizarea acestuia.
- ▶ Avertizați utilizatorul asupra posibilelor pericole, în special asupra pericolului de opărire.
- ▶ Predați aceste instrucțiuni.

### 11.3 Repunerea în funcțiune



### Pagube materiale

- După întreruperea alimentării cu apă repuneți în funcțiune aparatul urmând următorii pași, pentru a nu se distruge sistemul de încălzire cu conductori neizolați.
- ▶ Decuplați aparatul de la tensiune. Scoateți pentru aceasta ștecărul cu cablu electric, dacă este prevăzut, sau decuplați siguranța.
  - ▶ Vezi capitolul „Prima punere în funcțiune”.

## Oprirea aparatului

### 12. Oprirea aparatului

- ▶ Separați aparatul de la tensiunea de alimentare de la siguranța din tabloul electric sau scoateți ștecărul cu cablu electric din priză.
- ▶ Goliți aparatul (vezi capitolul „Întreținerea”).

### 13. Remedierea perturbațiilor

Problemă	Cauză	Remediere
Sistemul de încălzire nu se conectează, cu toate că robinetul de apă caldă a fost deschisă complet.	La regulatorul de jet din armătură sunt depuneri de calcar sau este murdar.	Curățați și / sau decalificați regulatorul de jet sau înlocuiți regulatorul de jet special.
	Sita din conducta de apă rece este înfundată.	Curățați sita după blocarea alimentării cu apă rece.
	Sistemul de încălzire este defect.	Măsurați rezistența sistemului de încălzire, event. înlocuiți aparatul.

### 14. Întreținerea



**PERICOL de electrocutare**  
Separați aparatul de la rețea de la toți polii la efectuarea tuturor lucrărilor.

#### 14.1 Golirea aparatului



**PERICOL de opărire**  
La golire se poate scurge și apă încinsă.

Dacă trebuie să goliți aparatul în vederea lucrărilor de întreținere sau la pericol de îngheț pentru protecția întregii instalații procedați în felul următor:

- ▶ Închideți vana de blocare din conducta de alimentare cu apă rece.
- ▶ Deschideți ventilul de extragere.
- ▶ Desfaceți racordurile de apă de la aparat.

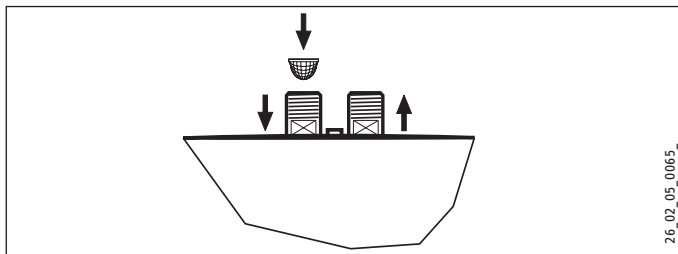


# INSTALARE

## Întreținerea

### 14.2 Curățați sita

Puteți curăța sita integrată după demontarea conductei de apă rece.



### 14.3 Verificări conform VDE 0701/0702

#### Verificarea conductorului de împământare

- ▶ Verificați conductorul de protecție (în Germania de ex. DGUV A3) la contactul conductorului de protecție al cablului electric și la ștuțul de racordare al aparatului.

#### Rezistență izolație

- ▶ Dacă un aparat cu un randament caloric de  $> 3,5$  kW nu atinge rezistența de izolație de  $300$  k $\Omega$ , atunci recomandăm să verificați proprietățile de izolație ale acestui aparat cu ajutorul măsurării curentului diferențial la curentul conductorului împământare / curentul de scurgere conform VDE 0701/0702 (figura C.3b).

### 14.4 Depozitarea aparatului

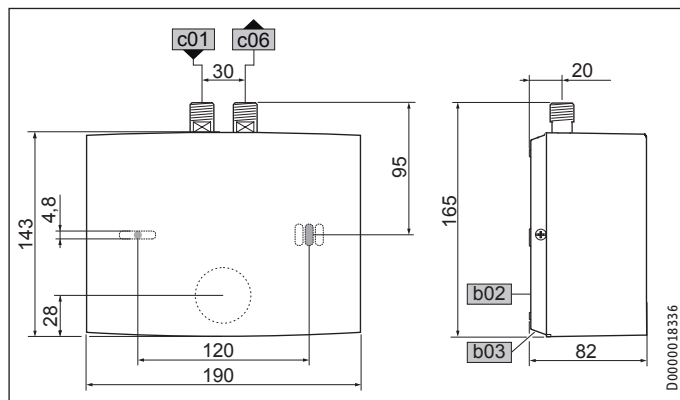
- ▶ Depozitați aparatul demontat într-o încăpere ferită de îngheț, deoarece apa reziduală din aparat ar putea îngheța și provoca avarii.

### 14.5 Înlocuirea conductorului electric de conectare la EIL 6 Trend

- ▶ La EIL 6 Trend trebuie să folosiți în caz de înlocuire un cablu electric de  $4$  mm<sup>2</sup>.

### 15. Date tehnice

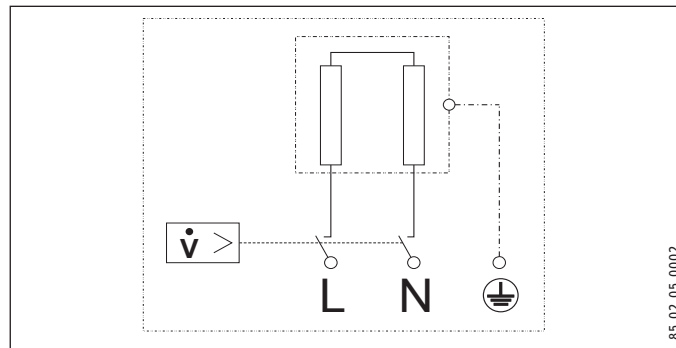
#### 15.1 Dimensiuni și racorduri



		EIL Trend
b02	Executarea cablărilor elect. I	
b03	Executarea cablărilor elect. II	
c01	Alimentarea cu apă rece	Filet exterior G 3/8 A
c06	Evacuare apă caldă	Filet exterior G 3/8 A

#### 15.2 Schemă de conexiune electrică

1/N/PE ~ 200-240 V



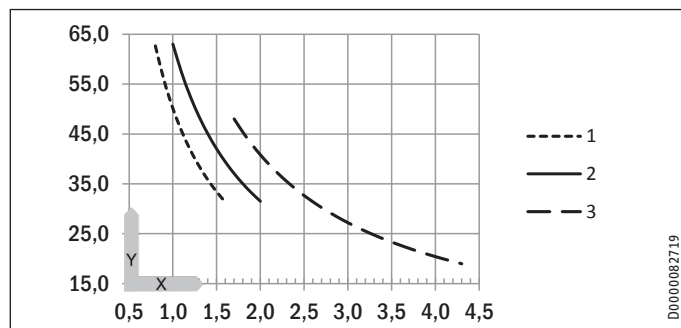
85\_02\_05\_0002

# INSTALARE

## Date tehnice

### 15.3 Creșterea temperaturii

Următoarele creșteri ale temperaturii apei rezultă la o tensiune de 230 V:



X Debit în l/min

Y Creștere temperatură în K

1 3,5 kW - 230 V

2 4,4 kW - 230 V

3 5,7 kW - 230 V

#### Exemplu EIL 3 Trend cu 3,5 kW

Debit	l/min	1,6
Creșterea temperaturii	K	31
Temperatură intrare apă rece	°C	12
Temperatură ieșire maxim posibilă	°C	43

### 15.4 Domenii de utilizare

Pentru rezistența și conductibilitatea electrică specifică, vezi „Tabel de date”

Date normate la 15 °C			20 °C			25 °C		
Rezistență specifică $\rho \geq$	Conductibilitate specifică $\sigma \leq$		Rezistență specifică $\rho \geq$	Conductibilitate specifică $\sigma \leq$		Rezistență specifică $\rho \geq$	Conductibilitate specifică $\sigma \leq$	
$\Omega \text{ cm}$	mS/m	$\mu\text{S/cm}$	$\Omega \text{ cm}$	mS/m	$\mu\text{S/cm}$	$\Omega \text{ cm}$	mS/m	$\mu\text{S/cm}$
1100	91	909	970	103	1031	895	112	1117

# INSTALARE

## Date tehnice

### 15.5 Informații privind consumul de energie

Fișă de date produs: Preparator de apă caldă convențional conform ordonanței (UE) nr. 812/2013 | 814/2013

		EIL 4 Trend	EIL 6 Trend
		200143	200144
Producător		STIEBEL ELTRON	STIEBEL ELTRON
Profil de sarcină		XXS	XXS
Clasa de eficiență energetică		A	A
Randamentul energetic	%	39	39
Consum anual energie electrică	kWh	478	478
Nivelul puterii acustice	dB(A)	15	15
Indicații speciale privind măsurarea eficienței		fără	fără
Consum zilnic de energie electrică	kWh	2,200	2,200

# INSTALARE

## Date tehnice

### 15.6 Tabel de date

		EIL 3 Trend				EIL 4 Trend				EIL 6 Trend			
		200142				200143				200144			
<b>Date electrice</b>													
Tensiune nominală	V	200	220	230	240	200	220	230	240	200	220	230	240
Putere nominală	kW	2,7	3,2	3,53	3,8	3,3	4,0	4,4	4,8	4,3	5,2	5,7	6,2
Curent nominal	A	13,3	14,5	15,2	15,8	16,7	18,2	19,1	20	21,6	23,6	24,7	25,8
Siguranță	A	16				20				25	25	25	32
Frecvență	Hz	50/60				50/60				50/60			
Faze		1/N/PE				1/N/PE				1/N/PE			
Impedanță max. rețea la 50Hz	Ω									0,394	0,377	0,361	
Rezistența specifică $\rho_{15} \geq$	Ω cm	1100				1100				1100			
Conductibilitate specifică $\sigma_{15} \leq$	μS/cm	909				909				909			
<b>Racorduri</b>													
Racordul de apă		G 3/8 A				G 3/8 A				G 3/8 A			
<b>Limite de utilizare</b>													
Presiune maximă admisă	MPa	0				0				0			
<b>Valori</b>													
Temperatură maximă admisă de intrare apă	°C	15				15				35			
Pornit	l/min	> 1,0				> 1,3				> 2,6			
Pierdere presiune la debit volumetric	MPa	0,06				0,07				0,08			
Debit volumetric pentru pierderea de presiune	l/min	1,0				1,3				2,6			
Limitarea debitului volumetric la	l/min	1,6				2,0				4,3			
Prepararea apei calde	l/min	1,6				2,0				2,6			
Δθ la preparare	K	31				31				31			
<b>Date hidraulice</b>													
Capacitate nominală	l	0,1				0,1				0,1			

# INSTALARE

## Date tehnice

		EIL 3 Trend	EIL 4 Trend	EIL 6 Trend
<b>Variante de execuție</b>				
Tip montaj deasupra chiuvetei		X	X	X
Tip montaj sub masă		X	X	X
Tipul construcției Deschis		X	X	X
Clasă de protecție		1	1	1
Bloc de izolare		Plastic	Plastic	Plastic
Generator de căldură sistem de încălzire		Fir neizolat	Fir neizolat	Fir neizolat
Capacul și panoul spate		Plastic	Plastic	Plastic
Culoare		alb	alb	alb
Clasă de protecție (IP)		IP25	IP25	IP25
<b>Dimensiuni</b>				
Înălțime	mm	143	143	143
Lățime	mm	190	190	190
Adâncime	mm	82	82	82
Lungime cablu	mm	700	700	700
<b>Mase</b>				
Masa	kg	1,4	1,4	1,4



### Indicație

Aparatul corespunde cu IEC 61000-3-12.

## Garanție

Pentru aparatele procurate din afara Germaniei nu sunt valabile condițiile de garanție ale societăților noastre din Germania. Mai mult, în țările în care produsele noastre sunt distribuite de una din filialele noastre, o garanție este acordată numai de către aceste filiale. O asemenea garanție se acordă numai atunci când filiala a editat propriile condiții de garanție. Nu se acordă nici un fel de garanție în afară de aceasta.

Pentru aparatele care au fost procurate din țări în care nici o filială de a noastră nu distribuie produsele noastre, nu acordăm nici un fel de garanție. Posibilele garanții acordate de către importator rămân de aceea neafectate.

## Mediu și reciclare

Vă rugăm să ajutați la protecția mediului. Eliminați materialele după utilizare conform prescripțiilor naționale.

## POSEBNE NAPOMENE

## RUKOVANJE

<b>1.</b>	<b>Opće napomene</b>	<b>169</b>
1.1	Sigurnosne napomene	169
1.2	Druge oznake u ovoj dokumentaciji	170
1.3	Mjerne jedinice	170
<b>2.</b>	<b>Sigurnost</b>	<b>171</b>
2.1	Namjenska uporaba	171
2.2	Opće sigurnosne napomene	171
2.3	Ispitni znak	172
<b>3.</b>	<b>Opis uređaja</b>	<b>172</b>
<b>4.</b>	<b>Postavke</b>	<b>172</b>
<b>5.</b>	<b>Čišćenje, njega i održavanje</b>	<b>173</b>
<b>6.</b>	<b>Otklanjanje problema</b>	<b>173</b>

## INSTALACIJA

<b>7.</b>	<b>Sigurnost</b>	<b>174</b>
7.1	Opće sigurnosne napomene	174
7.2	Propisi, norme i odredbe	174
<b>8.</b>	<b>Opis uređaja</b>	<b>174</b>
8.1	Opseg isporuke	174
8.2	Pribor	175
<b>9.</b>	<b>Pripreme</b>	<b>175</b>
<b>10.</b>	<b>Montaža</b>	<b>175</b>
10.1	Mjesto montaže	175
10.2	Alternativna montaža	176

10.3	Uspostava električnog priključka	178
<b>11.</b>	<b>Puštanje u rad</b>	<b>179</b>
11.1	Prvo puštanje u rad	179
11.2	Predaja uređaja	179
11.3	Ponovno puštanje u rad	179
<b>12.</b>	<b>Stavljanje izvan pogona</b>	<b>180</b>
<b>13.</b>	<b>Otklanjanje kvarova</b>	<b>180</b>
<b>14.</b>	<b>Održavanje</b>	<b>180</b>
14.1	Pražnjenje uređaja	180
14.2	Čišćenje sita	181
14.3	Provjere prema VDE 0701/0702	181
14.4	Skladištenje uređaja	181
14.5	Zamjena električnog priključnog voda na uređaju EIL 6 Trend	181
<b>15.</b>	<b>Tehnički podatci</b>	<b>182</b>
15.1	Mjere i priključci	182
15.2	Električna spojna shema	182
15.3	Povišenje temperature	183
15.4	Područja primjene	183
15.5	Podatci o potrošnji energije	184
15.6	Tablica s podatcima	185

## JAMSTVO

## OKOLIŠ I RECIKLIRANJE



## POSEBNE NAPOMENE

- Uređaj mogu upotrebljavati djeca starija od 3 godine te osobe smanjenih fizičkih, osjetilnih ili mentalnih sposobnosti ili osobe s nedovoljnim iskustvom i znanjem ako su pod nadzorom ili su upućene u sigurnu uporabu uređaja te shvaćaju opasnosti koje bi mogle nastati. Djeca se ne smiju igrati s ovim uređajem. Djeca ne smiju bez nadzora obavljati čišćenje i održavanje koje inače provodi korisnik.
- Tijekom rada slavina se može zagrijati na temperaturu višu od 50 °C. Kod temperatura izlaza vode većih od 43 °C postoji opasnost od oparina.
- Ovaj uređaj nije prikladan za opskrbu tuša (pogon tuša).
- Uređaj se mora moći odvojiti od mrežnog priključka preko rastavne dionice od najmanje 3 mm na svim polovima.
- Navedeni napon mora odgovarati mrežnom naponu.
- Uređaj mora biti trajno priključen na fiksno ožičenje, iznimka je uređaj EIL 3 Trend.
- U slučaju oštećenja ili zamjene kabel za mrežni priključak smije zamijeniti samo stručni serviser ovlašten od strane proizvođača i uz uporabu originalnog rezervnog dijela.
- Pričvrstite uređaj na način opisan u poglavlju „Instalacija/Montaža“.
- Pridržavajte se maksimalno dopuštenog tlaka (vidjeti poglavlje „Tehnički podatci/Tablica s podacima“).

- Ne smije se prekoračiti donja granica specifičnog otpora vode iz vodoopskrbne mreže (vidjeti poglavlje „Instalacija/Tehnički podatci/Tablica s podacima“).
- Ispraznite uređaj na način opisan u poglavlju „Instalacija/Održavanje/Pražnjenje uređaja“.

## RUKOVANJE

### 1. Opće napomene

Poglavlja „Posebne napomene“ i „Rukovanje“ namijenjena su korisniku uređaja i stručnom serviseru.

Poglavlje „Instalacija“ namijenjeno je stručnom serviseru.



#### Napomena

Prije uporabe uređaja pažljivo pročitajte ove upute i sačuvajte ih.

Upute po potrebi predajte sljedećem korisniku.

### 1.1 Sigurnosne napomene

#### 1.1.1 Struktura sigurnosnih napomena



#### SIGNALNA RIJEČ Vrsta opasnosti




Ovdje su navedene moguće posljedice u slučaju nepoštivanja sigurnosnih napomena.

► Ovdje su navedene mjere za suzbijanje opasnosti.

# RUKOVANJE

## Opće napomene

### 1.1.2 Simboli, vrsta opasnosti

Simbol	Vrsta opasnosti
	Ozljeda
	Strujni udar
	Opekline (opeklina, oparina)

### 1.1.3 Signalne riječi

SIGNALNA RIJEČ	Značenje
OPASNOST	Napomene čije nepoštivanje za posljedicu može imati teške ozljede ili smrt.
UPOZORENJE	Napomene čije nepoštivanje za posljedicu može imati teške ozljede ili smrt.
OPREZ	Napomene čije nepoštivanje može dovesti do srednje teških ili lakih ozljeda.



### 1.2 Druge oznake u ovoj dokumentaciji



#### Napomena

Napomene su omeđene vodoravnim crtama iznad i ispod teksta. Opće napomene označene su ovim simbolom.

► Pažljivo pročitajte tekst napomena.

Simbol	Značenje
	Materijalna šteta (oštećenja uređaja, posljedična šteta, šteta po okoliš)
	Zbrinjavanje uređaja

► Ovaj simbol ukazuje na ono što je potrebno napraviti. Potrebne radnje opisane su korak po korak.

### 1.3 Mjerne jedinice



#### Napomena

Ako nije drugačije navedeno, primijenjena mjerna jedinica je milimetar.

## 2. Sigurnost

### 2.1 Namjenska uporaba

Ovaj uređaj služi za zagrijavanje pitke vode. Ovaj je uređaj namijenjen za umivaonik.

Uređaj je predviđen za primjenu u kućanstvu. Neupućene osobe uređajem mogu sigurno rukovati. Izvan kućanstva, npr. u malom obrtu, uređaj se također može upotrebljavati na isti način.

Svaka druga uporaba ili uporaba koja prelazi te granice nije namjenska. Namjenska uporaba podrazumijeva i poštivanje ovih uputa te naputaka za korišteni pribor.

### 2.2 Opće sigurnosne napomene



#### OPASNOST od oparina

Tijekom rada slavina se može zagrijati na temperaturu višu od 50 °C.

Kod temperatura izlaza vode većih od 43 °C postoji opasnost od oparina.



#### UPOZORENJE ozljeda

Uređaj mogu upotrebljavati djeca starija od 3 godine te osobe smanjenih fizičkih, osjetilnih ili mentalnih sposobnosti ili osobe s nedovoljnim iskustvom i znanjem ako su pod nadzorom ili su upućene u sigurnu uporabu uređaja te shvaćaju opasnosti koje bi mogle nastati. Djeca se ne smiju igrati s ovim uređajem. Djeca ne smiju bez nadzora obavljati čišćenje i održavanje koje inače provodi korisnik.



#### OPASNOST od strujnog udara

Oštećeni električni priključni vod mora zamijeniti stručni serviser. Na taj se način isključuju moguće opasnosti.



#### Materijalna šteta

Zaštitite uređaj i slavinu od smrzavanja.



#### Materijalna šteta

Pazite na to da bestlačni uređaj ne izlažete tlaku jer bi se mogao uništiti:

- ▶ Koristite samo isporučeni specijalni mlazni regulator.
- ▶ Ne upotrebljavajte perlatore ili crijeva s mlaznim regulatorom.
- ▶ Nikad ne zatvarajte izlaze slavine.
- ▶ Spriječite nastanak kamenca na izlazima slavina (vidjeti poglavlje „Rukovanje/Čišćenje, njega i održavanje“).

### 2.3 Ispitni znak

Pogledajte natpisnu pločicu na uređaju.

### 3. Opis uređaja

Hidraulički upravljani bestlačni mini protočni grijač zagrijava vodu izravno na ispusnom mjestu. Pri otvaranju slavine automatski se uključuje snaga grijanja. Zahvaljujući kratkim putanjama snage nastaju neznatni gubitci energije i vode.

Snaga tople vode ovisi o temperaturi hladne vode, snazi grijanja i količini protoka.

Sustav grijanja s neizoliranim žicama prikladan je za vodu s malo i puno kamenca. Taj je sustav grijanja poprilično neosjetljiv na nakupljanje kamenca. Taj se sustav grijanja brine za brzu i efikasnu pripremu tople vode na umivaoniku.

Ugradnjom priloženog specijalnog mlaznog regulatora dobivate optimalan mlaz vode.

### 4. Postavke

Čim otvorite ventil za toplu vodu na slavini ili aktivirate osjetnik slavine s osjetnikom, automatski se uključuje sustav grijanja ovog uređaja. Voda se zagrijava. Temperaturu vode možete promijeniti na slavini:

Za količinu uključivanja vidjeti poglavlje „Tehnički podatci/Tablica s podacima/Uklj“.

#### Povisivanje temperature

- ▶ Prigušite količinu protoka na slavini.

#### Snižavanje temperature

- ▶ Nastavite otvarati slavinu ili umiješajte više hladne vode.

#### Nakon prekida vodoopskrbe

Vidjeti poglavlje „Puštanje u rad/Ponovno puštanje u rad“.

### 5. Čišćenje, njega i održavanje

- ▶ Ne upotrebljavajte sredstva za čišćenje koja grebu ili otapaju. Za njegu i čišćenje uređaja dovoljna je vlažna krpa.



#### Materijalna šteta

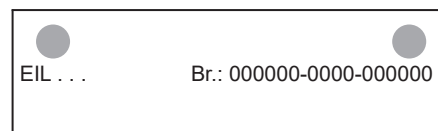
Nastali kamenac na izlazima slavine može staviti uređaj pod tlak i uništiti ga.

- ▶ Redovito kontrolirajte slavine. Kamenac na izlazu slavina možete ukloniti običnim sredstvima za uklanjanje kamenca.
- ▶ Neka električnu sigurnost na uređaju redovito provjerava stručni serviser.
- ▶ Redovito uklanjajte kamenac sa specijalnog mlaznog regulatora na slavini ili ga zamijenite (vidjeti poglavlje „Opis uređaja/Pribor“).

### 6. Otklanjanje problema

Problem	Uzrok	Rješenje
Uređaj se ne uključuje iako je do kraja otvoren ventil za toplu vodu.	Na uređaju nema napona.	Provjerite osigurač u kućnoj instalaciji.
	Na mlaznom regulatoru u slavini nakupili su se kamenac ili onečišćenja.	Očistite mlazni regulator i/ili uklonite kamenac iz njega ili zamijenite specijalni mlazni regulator.
	Došlo je do prekida vodoopskrbe.	Odzračite uređaj i dovedni vod hladne vode (vidjeti poglavlje „Puštanje u rad/Ponovno puštanje u rad“).

Ako ne možete otkloniti uzrok, pozovite servisera. Radi bolje i brže pomoći priopćite mu broj natpisne pločice (000000-0000-000000).



# INSTALACIJA

## 7. Sigurnost

Instalaciju, puštanje u rad, održavanje i popravak uređaja smije provoditi samo stručni serviser.

### 7.1 Opće sigurnosne napomene

Jamčimo besprijekoran rad i radnu sigurnost samo ako su upotrijebljeni originalni pribor namijenjen uređaju i originalni rezervni dijelovi.



#### Materijalna šteta

Pridržavajte se maks. dopuštene temperature dovoda vode. Kod viših temperatura može doći do oštećenja uređaja. Središnjom termostatskom slavinom možete ograničiti maksimalnu temperaturu dovoda vode.



#### Materijalna šteta

Uređaj upotrebljavajte samo s bestlačnim slavinama.

## 7.2 Propisi, norme i odredbe



#### Napomena

Obratite pozornost na sve nacionalne i regionalne propise i odredbe.

Specifični električni otpor vode ne smije biti niži od onog navedenog na natpisnoj pločici. Kod kombinirane vodoopskrbne mreže morate uvažiti najniži električni otpor vode (vidjeti poglavlje „Tehnički podatci/Tablica s podacima“). Specifični električni otpor vode ili električnu provodljivost vode možete saznati od svojeg vodoopskrbnog poduzeća.

## 8. Opis uređaja

### 8.1 Opseg isporuke

S uređajem se isporučuju:

- sito u dovodu hladne vode
- specijalni mlazni regulator
- logotip poduzeća za montažu iznad umivaonika

# INSTALACIJA

## Pripreme

### 8.2 Pribor

#### Specijalni mlazni regulator



#### Napomena

Ugradnjom specijalnog mlaznog regulatora u slavinu dobivate optimalan mlaz vode.

#### Bestlačne slavine

- MAW (OT) zidna armatura za iznad umivaonika
- MAZ (UT) dvoručna slavina za umivaonik
- MAE-W (UTE) jednoručna slavina za umivaonik

## 9. Pripreme

- ▶ Dobro isperite vodovodnu cijev.

#### Vodoinstalacija

Nije potreban sigurnosni ventil.

#### Slavine

- ▶ Upotrebljavajte prikladne slavine (vidjeti poglavlje „Opis uređaja/Pribor“).

## 10. Montaža

### 10.1 Mjesto montaže

Uređaj montirajte u prostoriji zaštićenoj od smrzavanja u blizini ispusne slavine.

Pazite da bočni pričvrtni vijci s poklopcem budu dostupni.

Ovaj je uređaj prikladan za montažu ispod umivaonika (priključci za vodu gore) i za montažu iznad umivaonika (priključci za vodu dolje).



**OPASNOST od strujnog udara**

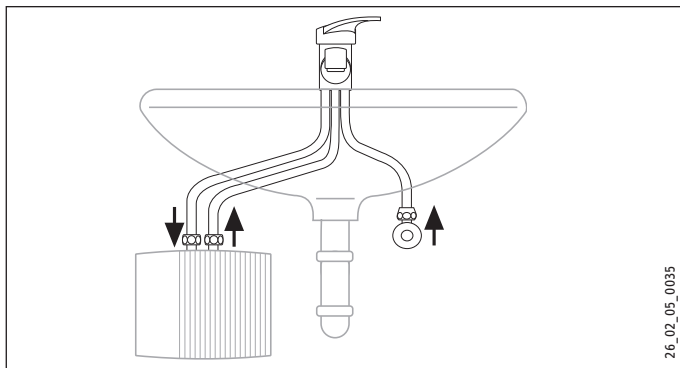
**Vrsta zaštite IP25 zajamčena je samo kad je montirana stražnja oplata uređaja.**

- ▶ Uvijek montirajte stražnju oplatu uređaja.



### 10.2 Alternativna montaža

#### 10.2.1 Montaža ispod umivaonika, bestlačna, s bestlačnom slavicom



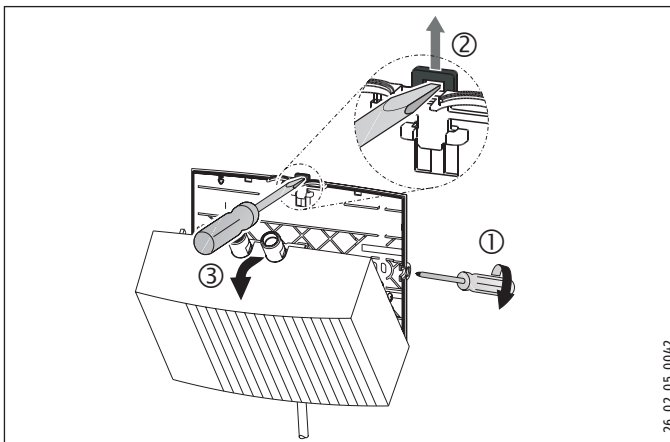
#### 10.2.2 Montaža uređaja



##### Napomena

Zid mora imati dovoljnu nosivost.

- ▶ Montirajte uređaj na zid.

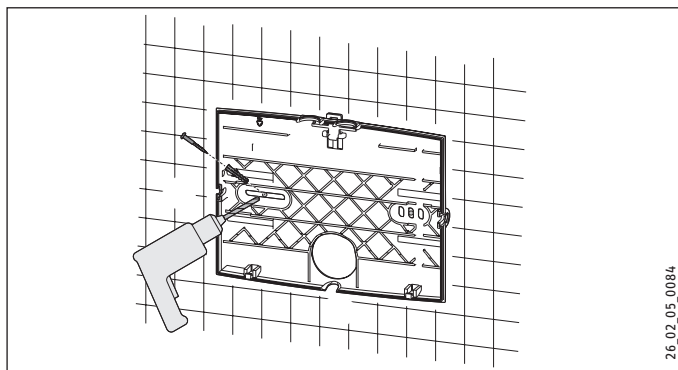


- ▶ Dvaput okrenite pričvrzne vijke s poklopcem kako biste ih otpustili.
- ▶ Odvijačem deblokirajte opružnu bravu.
- ▶ Prema naprijed skinite poklopac uređaja sa sustavom grijanja.

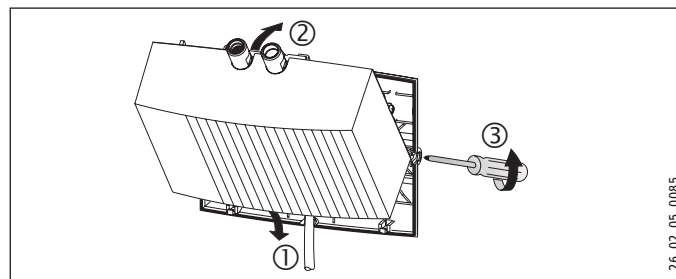
## INSTALACIJA

### Montaža

- ▶ Kliještima probijte provodni otvor za električni priključni vod u poklopcu uređaja. Po potrebi turpijom korigirajte konturu.



- ▶ Stražnju oplatu uređaja upotrijebite kao šablonu za bušenje.
- ▶ Stražnju oplatu uređaja pričvrstite na zid prikladnim pričvršnicama i vijcima.



- ▶ Položite električni priključni vod u provodni otvor stražnje oplate.
- ▶ Dolje zakvačite poklopac uređaja sa sustavom grijanja.
- ▶ Uglavite sustav grijanja u opružnu bravu.
- ▶ Poklopac uređaja pričvrstite pričvršnim vijcima s poklopcem.

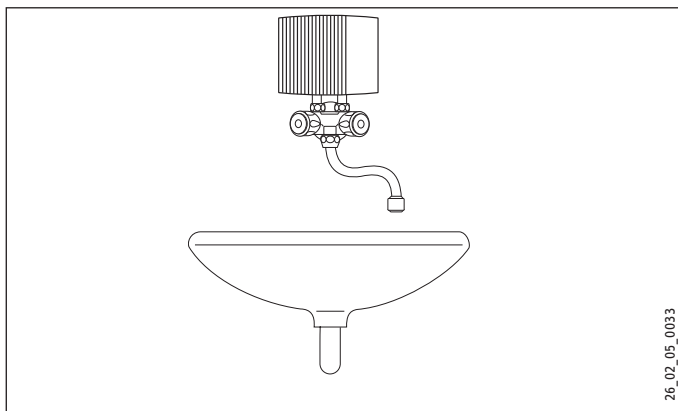
### Montaža slavine



#### Materijalna šteta

- ▶ Pri montaži svih priključaka morate podupirati uređaj ključem veličine 14.
- ▶ Montirajte slavinu. Pritom slijedite upute za rukovanje i instalaciju slavine.

### 10.2.3 Montaža iznad umivaonika, bestlačna, s bestlačnom slavinom



#### Montaža slavine



#### Materijalna šteta

- ▶ Pri montaži svih priključaka morate podupirati uređaj ključem veličine 14.
- ▶ Montirajte slavinu. Pritom slijedite upute za rukovanje i instalaciju slavine.

#### Montaža uređaja

- ▶ Montirajte uređaj s priključcima za vodu na slavinu.

### 10.3 Uspostava električnog priključka



#### OPASNOST od strujnog udara

Propisno izvedite sve električne radove i radove priključivanja.



#### OPASNOST od strujnog udara

Pazite na to da uređaj bude priključen na zaštitni vodič. Uređaj se mora moći odvojiti od mrežnog priključka preko rastavne dionice od najmanje 3 mm na svim polovima.



#### OPASNOST od strujnog udara

Pri isporuci uređaji su opremljeni električnim priključnim vodom (EIL 3 Trend s utikačem).

Moguć je priključak na fiksno položeni električni vod ako on ima minimalni poprečni presjek standardnog priključnog voda uređaja. Maksimalno je moguć poprečni presjek voda od 3 x 6 mm<sup>2</sup>.

- ▶ Pri montaži uređaja iznad umivaonika električni priključni vod morate provesti iza uređaja.



### Materijalna šteta

Pri priključivanju na utičnicu sa zaštitnim kontaktom (kod električnog priključnog voda s utikačem) pazite na to da utičnica sa zaštitnim kontaktom nakon instalacije uređaja bude slobodno dostupna.



### Materijalna šteta

Obratite pozornost na natpisnu pločicu. Navedeni napon mora odgovarati mrežnom naponu.

- ▶ Priključite električni priključni vod u skladu s električnom spojnom shemom (vidjeti poglavlje „Tehnički podatci/Električna spojna shema“).

## 11. Puštanje u rad

### 11.1 Prvo puštanje u rad



- ▶ Napunite uređaj višekratnim crpljenjem na slavini sve dok mreža vodova i uređaj ne ostanu bez zraka.
- ▶ Provedite kontrolu nepropusnosti.

- ▶ Utikač električnog priključnog voda, ako postoji, utaknite u utičnicu sa zaštitnim kontaktom ili uključite osigurač.
- ▶ Provjerite funkciju uređaja.
- ▶ Kod montaže iznad umivaonika na logotip poduzeća morate naljepiti priloženi logotip.

### 11.2 Predaja uređaja

- ▶ Objasnite korisniku funkciju uređaja i upoznajte ga s uporabom uređaja.
- ▶ Upozorite korisnika na moguće opasnosti, posebno na opasnost od oparina.
- ▶ Predajte mu ove upute.

### 11.3 Ponovno puštanje u rad



### Materijalna šteta

Nakon prekida vodoopskrbe uređaj morate ponovno pustiti u rad slijedeći sljedeće korake da ne bi došlo do oštećenja sustava grijanja s neizoliranim žicama.

- ▶ Odvojite uređaj od izvora napona. U tu svrhu izvucite utikač električnog priključnog voda, ako postoji, ili isključite osigurač.
- ▶ Vidjeti poglavlje „Prvo puštanje u rad“.

### 12. Stavljanje izvan pogona

- ▶ Uz pomoć osigurača u kućnoj instalaciji odvojite uređaj od mrežnog napona ili izvucite utikač električnog priključnog voda.
- ▶ Ispraznite uređaj (vidjeti poglavlje „Održavanje“).

### 13. Otklanjanje kvarova

Problem	Uzrok	Rješenje
Uređaj se ne uključuje iako je do kraja otvoren ventil za toplu vodu.	Na mlaznom regulatoru u slavini nakupili su se kamenac ili onečišćenja.	Očistite mlazni regulator i/ili uklonite kamenac iz njega ili zamijenite specijalni mlazni regulator.
	Sito u vodu hladne vode je začepljeno.	Očistite sito nakon što zavrnete dovodni vod hladne vode.
	Došlo je do kvara sustava grijanja.	Izmjerite otpor sustava grijanja, eventualno zamijenite uređaj.

### 14. Održavanje



**OPASNOST od strujnog udara**  
Pri izvođenju svih radova odvojite uređaj na svim polovima od mrežnog priključka.

#### 14.1 Pražnjenje uređaja



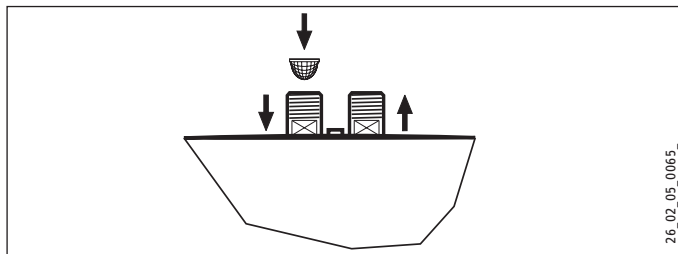
**OPASNOST od oparina**  
Pri pražnjenju može istjecati vruća voda.

Ako morate isprazniti uređaj radi radova održavanja ili u slučaju opasnosti od smrzavanja radi zaštite cjelokupne instalacije, postupite na sljedeći način:

- ▶ Zatvorite zaporni ventil u dovodnom vodu hladne vode.
- ▶ Otvorite ispusni ventil.
- ▶ Odvojite priključke za vodu od uređaja.

### 14.2 Čišćenje sita

Ugrađeno sito možete očistiti nakon demontaže priključnog voda hladne vode.



### 14.3 Provjere prema VDE 0701/0702

#### Provjera zaštitnog vodiča

- ▶ Provjerite zaštitni vodič (u Njemačkoj npr. DGUV A3) na kontaktu zaštitnog vodiča električnog priključnog voda i na priključnom nastavku uređaja.

#### Izolacijski otpor

- ▶ Ako neki uređaj s nazivnim ogrjevnim učinkom od  $> 3,5$  kW ne postigne izolacijski otpor od 300 k $\Omega$ , preporučujemo da izolacijska svojstva tog uređaja provjerite pomoću mjerenja struje razlike struja zaštitnog vodiča/struja odvoda prema VDE 0701/0702 (slika C.3b).

### 14.4 Skladištenje uređaja

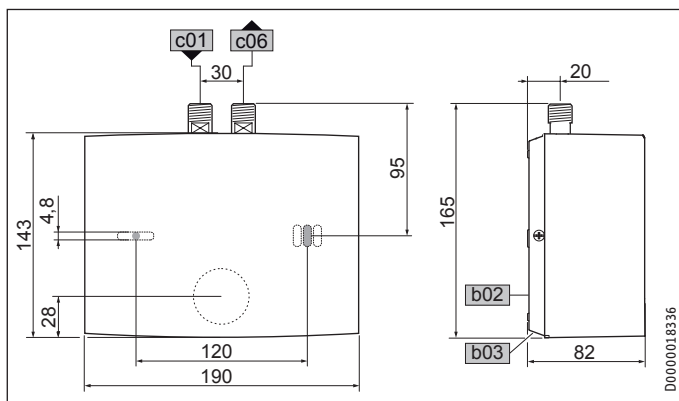
- ▶ Demontirani uređaj skladištite tako da je zaštićen od smrzavanja jer se u uređaju nalazi preostala voda koja bi se mogla zamrznuti i tako prouzročiti štetu.

### 14.5 Zamjena električnog priključnog voda na uređaju EIL 6 Trend

- ▶ Kod uređaja EIL 6 Trend u slučaju zamjene morate upotrijebiti električni priključni vod od 4 mm<sup>2</sup>.

### 15. Tehnički podatci

#### 15.1 Mjere i priključci

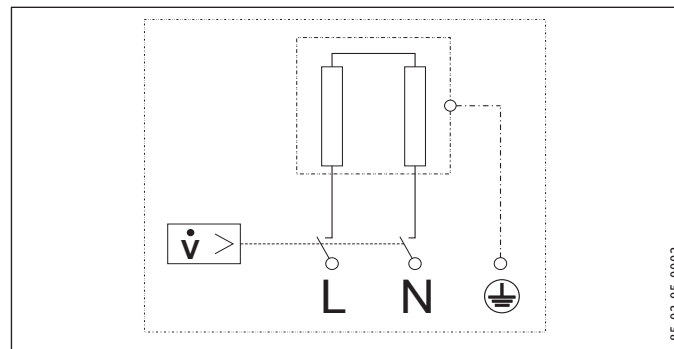


EIL Trend

b02	Provodnica elektr. vodova I		
b03	Provodnica elektr. vodova II		
c01	Dovod hladne vode	Vanjski navoj	G 3/8 A
c06	Izlazni vod tople vode	Vanjski navoj	G 3/8 A

#### 15.2 Električna spojna shema

1/N/PE ~ 200-240 V

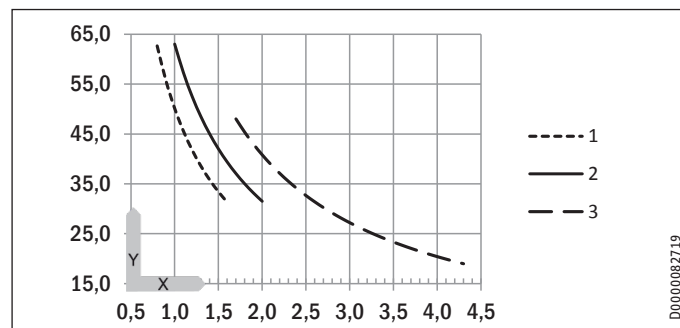


# INSTALACIJA

## Tehnički podatci

### 15.3 Povišenje temperature

Sljedeća povišenja temperature vode javljaju se pri naponu od 230 V:



- X Volumni protok u l/min  
 Y Povišenje temperature u K  
 1 3,5 kW – 230 V  
 2 4,4 kW – 230 V  
 3 5,7 kW – 230 V

#### Primjer EIL 3 Trend s 3,5 kW

Volumni protok	l/min	1,6
Povišenje temperature	K	31
Temperatura dovodnog voda hladne vode	°C	12
Maksimalna moguća temperatura izlaza vode	°C	43

### 15.4 Područja primjene

Za specifični električni otpor i specifičnu električnu provodljivost vidjeti „Tablica s podatcima“

Normirani podatak na 15 °C			20 °C			25 °C		
Spe- cifični otpor $\rho \geq$	Specifična pro- vodljivost $\sigma \leq$		Spe- cifični otpor $\rho \geq$	Specifična pro- vodljivost $\sigma \leq$		Spe- cifični otpor $\rho \geq$	Specifična pro- vodljivost $\sigma \leq$	
$\Omega \text{ cm}$	mS/m	$\mu\text{S/cm}$	$\Omega \text{ cm}$	mS/m	$\mu\text{S/cm}$	$\Omega \text{ cm}$	mS/m	$\mu\text{S/cm}$
1100	91	909	970	103	1031	895	112	1117



### 15.5 Podatci o potrošnji energije

List s informacijama o proizvodu: Konvencionalni uređaji za pripremu tople vode prema Uredbi (EU) br. 812/2013 | 814/2013

		EIL 4 Trend	EIL 6 Trend
		200143	200144
Proizvođač		STIEBEL ELTRON	STIEBEL ELTRON
Profil opterećenja		XXS	XXS
Razred energetske učinkovitosti		A	A
Energetski stupanj djelovanja	%	39	39
Godišnja potrošnja električne energije	kWh	478	478
Razina zvučne snage	dB(A)	15	15
Posebne napomene za mjerenje učinkovitosti		nema	nema
Dnevna potrošnja električne energije	kWh	2,200	2,200

# INSTALACIJA

## Tehnički podatci

### 15.6 Tablica s podacima

		EIL 3 Trend				EIL 4 Trend				EIL 6 Trend			
		200142				200143				200144			
<b>Električni podatci</b>													
Nazivni napon	V	200	220	230	240	200	220	230	240	200	220	230	240
Nazivna snaga	kW	2,7	3,2	3,53	3,8	3,3	4,0	4,4	4,8	4,3	5,2	5,7	6,2
Nazivna struja	A	13,3	14,5	15,2	15,8	16,7	18,2	19,1	20	21,6	23,6	24,7	25,8
Osiguranje	A	16				20				25	25	25	32
Frekvencija	Hz	50/60				50/60				50/60			
Faze		1/N/PE				1/N/PE				1/N/PE			
Maks. impedancija mreže pri 50 Hz	$\Omega$									0,394	0,377	0,361	
Specifični otpor $\rho_{15} \geq$	$\Omega$ cm	1100				1100				1100			
Specifična provodljivost $\sigma_{15} \leq$	$\mu S/cm$	909				909				909			
<b>Priključci</b>													
Priključak vode		G 3/8 A				G 3/8 A				G 3/8 A			
<b>Granice primjene</b>													
Maks. dopušteni tlak	MPa	0				0				0			
<b>Vrijednosti</b>													
Maks. dopuštena temperatura dovoda vode	$^{\circ}C$	15				15				35			
Uklj	l/min	> 1,0				> 1,3				> 2,6			
Pad tlaka pri volumnom protoku	MPa	0,06				0,07				0,08			
Volumni protok za pad tlaka	l/min	1,0				1,3				2,6			
Ograničenje volumnog protoka pri	l/min	1,6				2,0				4,3			
Kapacitet tople vode	l/min	1,6				2,0				2,6			
$\Delta\theta$ kod prikaza	K	31				31				31			
<b>Hidraulični podatci</b>													
Nazivni sadržaj	l	0,1				0,1				0,1			

# INSTALACIJA

## Tehnički podatci

		EIL 3 Trend	EIL 4 Trend	EIL 6 Trend
Izvedbe				
Vrsta montaže iznad umivaonika		X	X	X
Vrsta montaže ispod umivaonika		X	X	X
Izvedba otvorena		X	X	X
Razred zaštite		1	1	1
Izolacijski blok		plastika	plastika	plastika
Proizvođač topline sustava grijanja		neizolirana žica	neizolirana žica	neizolirana žica
Poklopac i stražnja oplata		plastika	plastika	plastika
Boja		bijela	bijela	bijela
Vrsta zaštite (IP)		IP 25	IP 25	IP 25
Dimenzije				
Visina	mm	143	143	143
Širina	mm	190	190	190
Dubina	mm	82	82	82
Duljina priključnog kabela	mm	700	700	700
Težine				
Težina	kg	1,4	1,4	1,4



### Napomena

Uređaj je usklađen s IEC 61000-3-12.

## Jamstvo

Za uređaje koji su kupljeni izvan Njemačke ne vrijede jamstveni uvjeti naših njemačkih tvrtki. Osim toga, u zemljama u kojima neka od naših podružnica prodaje naše proizvode može se dobiti jamstvo od te naše podružnice. Takvo jamstvo daje se samo u slučaju ako je ta podružnica izdala vlastite jamstvene uvjete. Inače se ne daje jamstvo.

Za uređaje koji su kupljeni u zemljama u kojima nijedna od naših podružnica ne prodaje naše proizvode mi ne dajemo jamstvo.

Sva jamstva koje daju uvoznici nisu obuhvaćeni ovim pravilom.

## Okoliš i recikliranje

Molimo pomozite da sačuvamo naš okoliš. Zbrinite materijale nakon korištenja sukladno nacionalnim propisima.

## Deutschland

STIEBEL ELTRON GmbH & Co. KG  
Dr.-Stiebel-Straße 33 | 37603 Holzminden  
Tel. 05531 702-0 | Fax 05531 702-480  
info@stiebel-eltron.de  
www.stiebel-eltron.de

## Verkauf Kundendienst Ersatzteilverkauf

Tel. 05531 702-110 | Fax 05531 702-95108 | info-center@stiebel-eltron.de  
Tel. 05531 702-111 | Fax 05531 702-95890 | kundendienst@stiebel-eltron.de  
www.stiebel-eltron.de/ersatzteile | ersatzteile@stiebel-eltron.de

## Australia

STIEBEL ELTRON Australia Pty. Ltd.  
294 Salmon Street | Port Melbourne  
VIC 3207  
Tel. 03 9645-1833 | Fax 03 9644-5091  
info@stiebel-eltron.com.au  
www.stiebel-eltron.com.au

## Austria

STIEBEL ELTRON Ges.m.b.H.  
Gewerbegebiet Neubau-Nord  
Margaritenstraße 4 A | 4063 Hörsching  
Tel. 07221 74600-0 | Fax 07221 74600-42  
info@stiebel-eltron.at  
www.stiebel-eltron.at

## Belgium

STIEBEL ELTRON bvba/sprl  
't Hofveld 6 - D1 | 1702 Groot-Bijgaarden  
Tel. 02 42322-22 | Fax 02 42322-12  
info@stiebel-eltron.be  
www.stiebel-eltron.be

## China

STIEBEL ELTRON (Tianjin) Electric  
Appliance Co., Ltd.  
Plant C3, XEDA International Industry City  
Xiqing Economic Development Area  
300385 Tianjin  
Tel. 022 8396 2077 | Fax 022 8396 2075  
info@stiebel-eltron.cn  
www.stiebel-eltron.cn

## Czech Republic

STIEBEL ELTRON spol. s r.o.  
Dopraváků 749/3 | 184 00 Praha 8  
Tel. 251116-111 | Fax 235512-122  
info@stiebel-eltron.cz  
www.stiebel-eltron.cz

## Finland

STIEBEL ELTRON OY  
Kapinakuja 1 | 04600 Mäntsälä  
Tel. 020 720-9988  
info@stiebel-eltron.fi  
www.stiebel-eltron.fi

## France

STIEBEL ELTRON SAS  
7-9, rue des Selliers  
B.P 85107 | 57073 Metz-Cédex 3  
Tel. 0387 7438-88 | Fax 0387 7468-26  
info@stiebel-eltron.fr  
www.stiebel-eltron.fr

## Hungary

STIEBEL ELTRON Kft.  
Gyár u. 2 | 2040 Budaörs  
Tel. 01 250-6055 | Fax 01 368-8097  
info@stiebel-eltron.hu  
www.stiebel-eltron.hu

## Japan

NIHON STIEBEL Co. Ltd.  
Kowa Kawasaki Nishiguchi Building 8F  
66-2 Horikawa-Cho  
Saiwai-Ku | 212-0013 Kawasaki  
Tel. 044 540-3200 | Fax 044 540-3210  
info@nihonstiebel.co.jp  
www.nihonstiebel.co.jp

## Netherlands

STIEBEL ELTRON Nederland B.V.  
Daviottenweg 36 |  
5222 BH 's-Hertogenbosch  
Tel. 073 623-0000 | Fax 073 623-1141  
info@stiebel-eltron.nl  
www.stiebel-eltron.nl

## New Zealand

Stiebel Eltron NZ Limited  
61 Barrays Point Road | Auckland 0622  
Tel. +64 9486 2221  
info@stiebel-eltron.co.nz  
www.stiebel-eltron.co.nz

## Poland

STIEBEL ELTRON Polska Sp. z O.O.  
ul. Działkowa 2 | 02-234 Warszawa  
Tel. 022 60920-30 | Fax 022 60920-29  
biuro@stiebel-eltron.pl  
www.stiebel-eltron.pl

## Russia

STIEBEL ELTRON LLC RUSSIA  
Urzhumskaya street 4,  
building 2 | 129343 Moscow  
Tel. +7 495 125 0 125  
info@stiebel-eltron.ru  
www.stiebel-eltron.ru

## Slovakia

STIEBEL ELTRON Slovakia, s.r.o.  
Hlavná 1 | 058 01 Poprad  
Tel. 052 7127-125 | Fax 052 7127-148  
info@stiebel-eltron.sk  
www.stiebel-eltron.sk

## South Africa

STIEBEL ELTRON Southern Africa  
(PTY) Ltd  
30 Archimedes Road  
Wendywood  
Johannesburg, 2090  
Tel. +27 10 001 85 47  
info@stiebel-eltron.co.za  
www.stiebel-eltron.co.za

## Switzerland

STIEBEL ELTRON AG  
Industrie West  
Gass 8 | 5242 Lupfig  
Tel. 056 4640-500 |  
Fax 056 4640-501  
info@stiebel-eltron.ch  
www.stiebel-eltron.ch

## Thailand

STIEBEL ELTRON Asia Ltd.  
469 Moo 2 Tambol Klong-jik  
Amphur Bangpa-In | 13160 Ayutthaya  
Tel. 035 220088 | Fax 035 221185-88  
th-info@stiebel-eltron.com  
www.stiebel-eltron.co.th

## United Kingdom and Ireland

STIEBEL ELTRON UK Ltd.  
Unit 12 Stadium Court  
Stadium Road | CH62 3RP Bromborough  
Tel. 0151 346-2300 | Fax 0151 334-2913  
info@stiebel-eltron.co.uk  
www.stiebel-eltron.co.uk

## United States of America

STIEBEL ELTRON, Inc.  
17 West Street | 01088 West Hatfield MA  
Tel. 0413 247-3380 | Fax 0413 247-3369  
info@stiebel-eltron-usa.com  
www.stiebel-eltron-usa.com

# STIEBEL ELTRON



Irrtum und technische Änderungen vorbehalten! | Subject to errors and technical changes! | Sous réserve d'erreurs et de modifications techniques! | Onder voorbehoud van vergissingen en technische wijzigingen! | Salvo error o modificación técnica! | Excepto erro ou alteração técnica! | Zastrzeżone zmiany techniczne i ewentualne błędy! | Омьля техникэ змяненняў выхрэзены! | A muszaki változtatások és tévedések jogát fenntartjuk! | Отсутствуют ошибки и гарантируется. Возможны технические изменения. | Chyby a technické zmeny sú vyhradené! | Stand 9835

Ovaj dokument je originalno proizveden i objavljen od strane proizvođača, brenda Stiebel Eltron, i preuzet je sa njihove zvanične stranice. S obzirom na ovu činjenicu, Tehnoteka ističe da ne preuzima odgovornost za tačnost, celovitost ili pouzdanost informacija, podataka, mišljenja, saveta ili izjava sadržanih u ovom dokumentu.

Napominjemo da Tehnoteka nema ovlašćenje da izvrši bilo kakve izmene ili dopune na ovom dokumentu, stoga nismo odgovorni za eventualne greške, propuste ili netačnosti koje se mogu naći unutar njega. Tehnoteka ne odgovara za štetu nanесenu korisnicima pri upotrebi netačnih podataka. Ukoliko imate dodatna pitanja o proizvodu, ljubazno vas molimo da kontaktirate direktno proizvođača kako biste dobili sve detaljne informacije.

Za najnovije informacije o ceni, dostupnim akcijama i tehničkim karakteristikama proizvoda koji se pominje u ovom dokumentu, molimo posetite našu stranicu klikom na sledeći link:

<https://tehnoteka.rs/p/stiebel-eltron-protocni-bojler-eil-6-trend-akcija-cena/>