

Uputstvo za upotrebu i montažu (EN)

STIEBEL ELTRON protočni bojler PEY 18/21/24

STIEBEL ELTRON



Tehnoteka je online destinacija za upoređivanje cena i karakteristika bele tehnike, potrošačke elektronike i IT uređaja kod trgovinskih lanaca i internet prodavnica u Srbiji. Naša stranica vam omogućava da istražite najnovije informacije, detaljne karakteristike i konkurentne cene proizvoda.

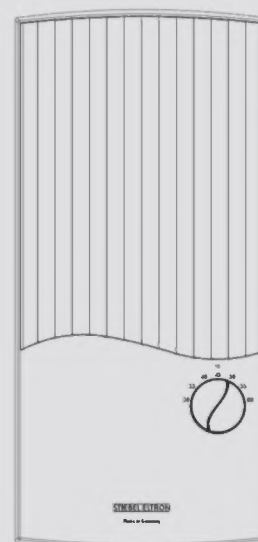
Posetite nas i uživajte u ekskluzivnom iskustvu pametne kupovine klikom na link:

<https://tehnoteka.rs/p/stiebel-eltron-protocni-bojler-pey-182124-akcija-cena/>

OPERATION AND INSTALLATION
OPERACIÓ E INSTALACIÓ
OBSŁUGA I INSTALACJA
KEZELÉS ÉS TELEPÍTÉS
RUKOVANJE I INSTALACIJA
COMANDĂ ŞI INSTALARE
PËRDORIMI DHE INSTALIMI
РАКУВАЊЕ И ИНСТАЛАЦИЈА
ОБСЛУЖВАНЕ И ИНСТАЛИРАНЕ
ЭКСПЛУАТАЦИЈА И УСТАНОВКА

Electronically controlled comfort instantaneous water heater | Calentador instantáneo de confort con regulación electrónica | Elektronicznie regulowany komfortowy przepływowy ogrzewacz wody | Elektronikus szabályozású, átfolyó üzemű komfort vízmelegítő | Elektronski regulisan komforni protočni grejač | Încălzitor instant confort reglat electronic | Nxehtësi i rrjedhjes komode i kontrolluar nga sistemi elektronik | Электронски регулиран удобен проточен бојлер | Elektronно регулиран комфортен проточен бойлер | Проточный водонагреватель повышенной комфортности с электронной системой регулирования

» PEY 18/21/24



STIEBEL ELTRON

SPECIAL INFORMATION

OPERATION

1. General information	3
1.1 Safety instructions	3
1.2 Other symbols in this documentation	4
1.3 Units of measurement	4
2. Safety	4
2.1 Intended use	4
2.2 General safety instructions	4
2.3 Test symbols	4
3. Appliance description	4
4. Settings	5
4.1 Recommended settings	5
5. Cleaning, care and maintenance	5
6. Troubleshooting	5

INSTALLATION

7. Safety	6
7.1 General safety instructions	6
7.2 Shower operation	6
7.3 Instructions, standards and regulations	6
8. Appliance description	6
8.1 Standard delivery	6
9. Preparation	6
9.1 Installation location	6
9.2 Water installation	7
10. Installation	7
10.1 Standard installation	7
10.2 Alternative installation methods	10
10.3 Completing the installation	12
11. Commissioning	12
11.1 Initial start-up	12
11.2 Recommissioning	13
12. Appliance shutdown	13
13. Troubleshooting	13
14. Maintenance	14
15. Specification	14
15.1 Dimensions and connections	14
15.2 Wiring diagram	15
15.3 DHW output	15
15.4 Application areas / Conversion table	15
15.5 Pressure drop	15
15.6 Fault conditions	15
15.7 Energy consumption data	15
15.8 Data table	16

GUARANTEE

ENVIRONMENT AND RECYCLING

SPECIAL INFORMATION

- The appliance may be used by children aged 3 and older and persons with reduced physical, sensory or mental capabilities or a lack of experience and know-how, provided that they are supervised or they have been instructed on how to use the appliance safely and have understood the potential risks. Children must never play with the appliance. Children must never clean the appliance or perform user maintenance unless they are supervised.
- The tap can reach temperatures of up to 60 °C. There is a risk of scalding at outlet temperatures in excess of 43 °C.
- The appliance is suitable for supplying a shower (shower operation). If the appliance is also or exclusively used for shower operation, the qualified contractor must activate the temperature setting range using the temperature limit (Tred = 55 °C) in the appliance. When using preheated water, it must be ensured that the inlet temperature does not exceed 55 °C.
- Ensure the appliance can be separated from the power supply by an isolator that disconnects all poles with at least 3 mm contact separation.
- The specified voltage must match the mains voltage.
- The appliance must be connected to the earth conductor.
- The appliance must be permanently connected to fixed wiring.
- Secure the appliance as described in chapter "Installation / Installation".
- Observe the maximum permissible pressure (see chapter "Installation / Specification / Data table").

- The specific water resistivity of the mains water supply must not be undershot (see chapter "Installation / Specification / Data table").
- Drain the appliance as described in chapter "Installation / Maintenance / Draining the appliance".

OPERATION

1. General information

The chapters "Special information" and "Operation" are intended for both users and qualified contractors.

The chapter "Installation" is intended for qualified contractors.



Note

Read these instructions carefully before using the appliance and retain them for future reference. Pass on the instructions to a new user if required.

1.1 Safety instructions

1.1.1 Structure of safety instructions



KEYWORD Type of risk

Here, possible consequences are listed that may result from failure to observe the safety instructions.

► Steps to prevent the risk are listed.

1.1.2 Symbols, type of risk

Symbol	Type of risk
	Injury
	Electrocution
	Burns (burns, scalding)

1.1.3 Keywords

KEYWORD	Meaning
DANGER	Failure to observe this information will result in serious injury or death.
WARNING	Failure to observe this information may result in serious injury or death.
CAUTION	Failure to observe this information may result in non-serious or minor injury.

1.2 Other symbols in this documentation



Note
General information is identified by the adjacent symbol.
► Read these texts carefully.

Symbol	Meaning
	Material losses (appliance damage, consequential losses and environmental pollution)
	Appliance disposal

► This symbol indicates that you have to do something. The action you need to take is described step by step.

1.3 Units of measurement



Note
All measurements are given in mm unless stated otherwise.

2. Safety

2.1 Intended use

This pressurised appliance is suitable for heating domestic hot water or for reheating preheated water. The appliance can supply one or more draw-off points.

The appliance is intended for domestic use. It can be used safely by untrained persons. The appliance can also be used in non-domestic environments, e.g. in small businesses, as long as it is used in the same way.

Any other use beyond that described shall be deemed inappropriate. Observation of these instructions and of the instructions for any accessories used is also part of the correct use of this appliance.

2.2 General safety instructions



CAUTION Burns
The tap can reach temperatures of up to 60 °C. There is a risk of scalding at outlet temperatures in excess of 43 °C.



CAUTION Burns
If operating with preheated water, e.g. from a solar thermal system, the DHW temperature may vary from the selected set temperature.



WARNING Injury
The appliance may be used by children aged 3 and up and persons with reduced physical, sensory or mental capabilities or a lack of experience and know-how, provided that they are supervised or they have been instructed on how to use the appliance safely and have understood the resulting risks. Children must never play with the appliance. Children must never clean the appliance or perform user maintenance unless they are supervised.

Where children or persons with limited physical, sensory or mental abilities are allowed to use this appliance, we recommend a permanent temperature limit. A qualified contractor can set the limit for you.



Material losses
The user should protect the appliance and its tap against frost.

2.3 Test symbols

See type plate on the appliance.

3. Appliance description

The electronically controlled instantaneous water heater with automatic output matching keeps the outlet temperature constant up to the output limit. The temperature is then adjusted via the draw-off tap.

DHW temperature

The DHW outlet temperature can be variably adjusted.

Internal temperature limit (qualified contractor)

On request, the qualified contractor can activate a permanent temperature limit.

If supplying a shower, the qualified contractor must activate the temperature limit.

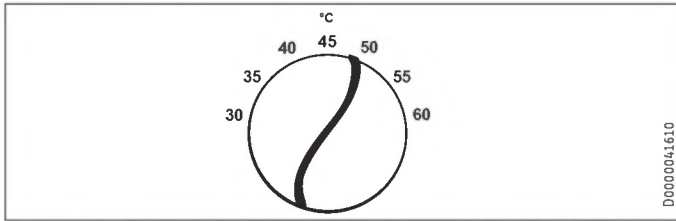
Heating system

The bare wire heating system has a pressure-tested plastic casing. The heating system is suitable for hard and soft water areas and is largely unsusceptible to scale build-up. This heating system ensures rapid and efficient DHW availability.



Note
The appliance is equipped with an air detector that largely prevents damage to the heating system. If, during operation, air is drawn into the appliance, the appliance shuts down for one minute, thereby protecting the heating system.

4. Settings



- ▶ Turn the temperature selector to the required position.

If the outlet temperature fails to reach the required level with the tap fully open and the temperature selector set to maximum, then more water is flowing through the appliance than can be heated by the heating element.

- ▶ Reduce the flow rate at the tap.

4.1 Recommended settings

Your instantaneous water heater offers maximum precision and maximum convenience in DHW provision. Should you nonetheless be operating the appliance with a thermostatic valve, we recommend that you:

- ▶ Set the temperature at the appliance to the maximum temperature. Then set the required set temperature on the thermostatic valve.

Saving energy

The following recommended settings will result in the lowest energy consumption:

- 38 °C for hand washbasins, showers, bath
- 55 °C for kitchen sinks

Recommended setting for operation with a thermostatic valve and water preheated by solar energy

- ▶ Set the temperature at the appliance to the maximum temperature.

Following an interruption to the water supply



Material losses

To ensure that the bare wire heating system is not damaged following an interruption to the water supply, the appliance must be restarted by taking the following steps.

- ▶ Disconnect the appliance from the power supply by removing the fuses/tripping the MCBs.
- ▶ Open the tap for one minute until the appliance and its upstream cold water inlet line are free of air.
- ▶ Switch the mains power back on again.

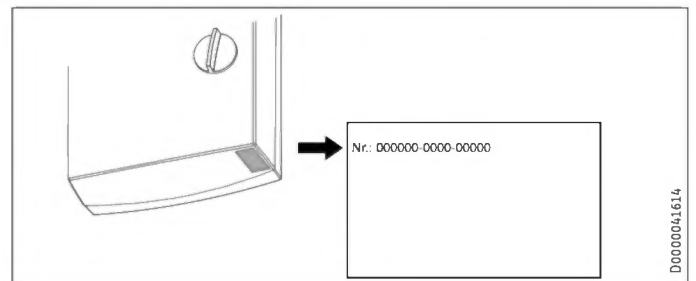
5. Cleaning, care and maintenance

- ▶ Never use abrasive or corrosive cleaning agents. A damp cloth is sufficient for cleaning the appliance.
- ▶ Check the taps regularly. Limescale deposits at the tap outlets can be removed using commercially available descaling agents.

6. Troubleshooting

Problem	Cause	Remedy
The appliance will not start despite the DHW valve being fully open.	There is no power.	Check the fuses/MCBs in your fuse box/distribution board.
	The flow rate is too low. The aerator in the tap or the shower head is scaled up or dirty.	Clean and/or descale the aerator or shower head.
Required temperature > 45 °C is not achieved.	The water supply has been interrupted.	Vent the appliance and the cold water inlet line (see chapter "Settings").
	The cold water inlet temperature is > 45 °C.	Reduce the cold water inlet temperature.

If you cannot remedy the fault, notify your qualified contractor. To facilitate and speed up your enquiry, please provide the serial number from the type plate (000000-0000-00000).



INSTALLATION

7. Safety

Only a qualified contractor should carry out installation, commissioning, maintenance and repair of the appliance.

7.1 General safety instructions

We guarantee trouble-free function and operational reliability only if original accessories and spare parts intended for the appliance are used.



Material losses

Observe the maximum inlet temperature. Higher temperatures may damage the appliance. You can limit the maximum inlet temperature by installing a central thermostatic valve.



WARNING Electrocutation

This appliance contains capacitors which are discharged when disconnected from the power supply. The capacitor discharge voltage may briefly reach > 60 V DC.

7.2 Shower operation



CAUTION Burns

► If supplying a shower, set the internal temperature limit to "Tred"; see chapter "Installation alternatives / Temperature limit".



CAUTION Burns

If the water supplied to the appliance is preheated, please note the following:
The internally adjustable temperature limit may be exceeded.

► Limit the temperature with an upstream central thermostatic valve.

7.3 Instructions, standards and regulations



Note

Observe all applicable national and regional regulations and instructions.

- The IP 25 (hoseproof) rating can only be ensured with a correctly fitted cable grommet.
- The specific electrical resistivity of the water must not fall below that stated on the type plate. In a linked water network, observe the lowest electrical water resistivity (see chapter "Specification / Application areas / Conversion table"). Your water supply utility will advise you of the specific electrical water resistivity or conductivity.

8. Appliance description

8.1 Standard delivery

The following are delivered with the appliance:

- Wall mounting bracket
- Threaded stud for wall mounting
- Installation template
- 2 twin connectors (cold water with shut-off valve)
- Flat gaskets
- Cable grommet (power cable from above / below)
- Screws / rawl plugs for securing the back panel to allow for water connection on finished walls

For appliance replacement:

- 2 tap extensions

9. Preparation

9.1 Installation location



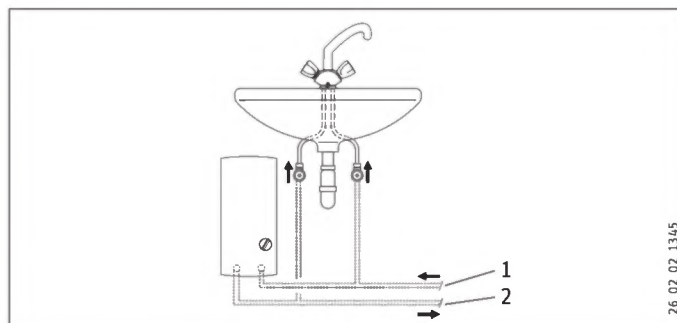
Material losses

Install the appliance in a room free from the risk of frost.

- Always install the appliance vertically and near the draw-off point.

The appliance is suitable for undersink and oversink installation.

Undersink installation

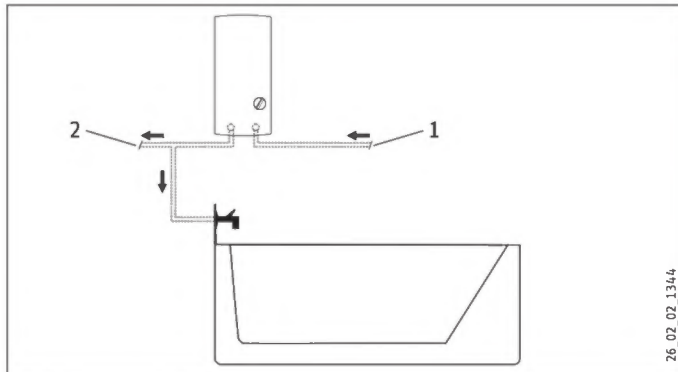


- 1 Cold water inlet
- 2 DHW outlet

INSTALLATION

Installation

Oversink installation



- 1 Cold water inlet
- 2 DHW outlet



Note

► Mount the appliance on the wall. The wall must have sufficient load bearing capacity.

9.2 Water installation

- No safety valve is required.
- Safety valves are not permissible in the DHW pipe.
- Flush the water line thoroughly.
- Ensure that the flow rate for switching on the appliance is achieved (see chapter "Specification / Data table", On). If the flow rate is not achieved, remove the flow limiter (see chapter "Installation / Removing the flow limiter").
- Increase the mains water pressure if the required flow rate is not achieved with the draw-off valve fully opened.

Taps

Use appropriate pressure taps. Open vented taps are not permissible.



Note

Never use the shut-off valve in the cold water inlet to reduce the flow rate. It is intended for shutting off the appliance.

Permissible water line materials

- Cold water inlet pipe:
Pipes made from galvanised steel, stainless steel, copper or plastic
- DHW outlet line:
Pipes made from stainless steel, copper or plastic



Material losses

If plastic pipework systems are used, take into account the maximum inlet temperature and the maximum pressure (see chapter "Specification / Data table").

Flexible water connection lines

- If the appliance is installed with flexible water connection lines, ensure that the pipe bends with bayonet fittings do not become twisted inside the appliance.
- Secure the back panel at the bottom with two additional screws.

10. Installation

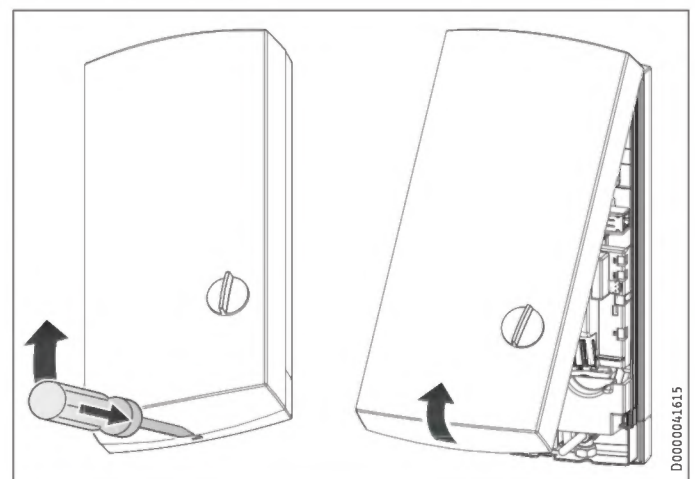
10.1 Standard installation

- Electrical connection from above; installation on unfinished walls
- Water connection on unfinished walls
- Medium connected load is selected

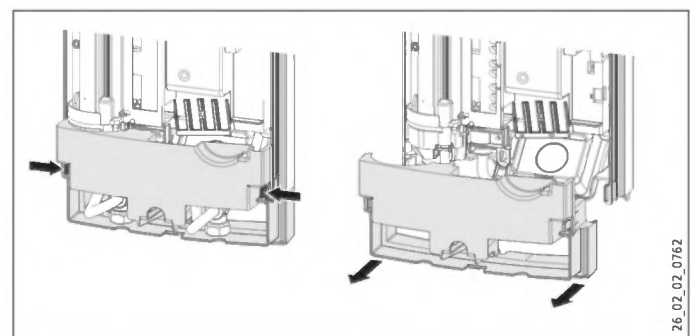
For further installation options, see chapter "Alternative installation methods":

- Electrical connection from below on unfinished walls
- Electrical connection on finished walls
- Connecting a load shedding relay
- Water installation on finished walls
- Water connection on unfinished walls for appliance replacement
- Operation with preheated water
- Temperature limit

Opening the appliance



- Open the appliance by releasing the snap lock.

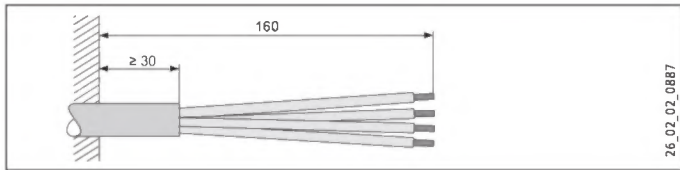


- Remove the back panel by pressing the two locking tabs and pulling the lower section of the back panel forwards.

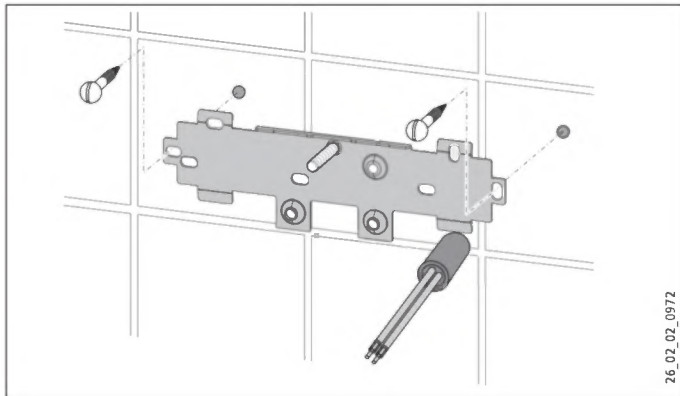
INSTALLATION

Installation

Preparing the power cable

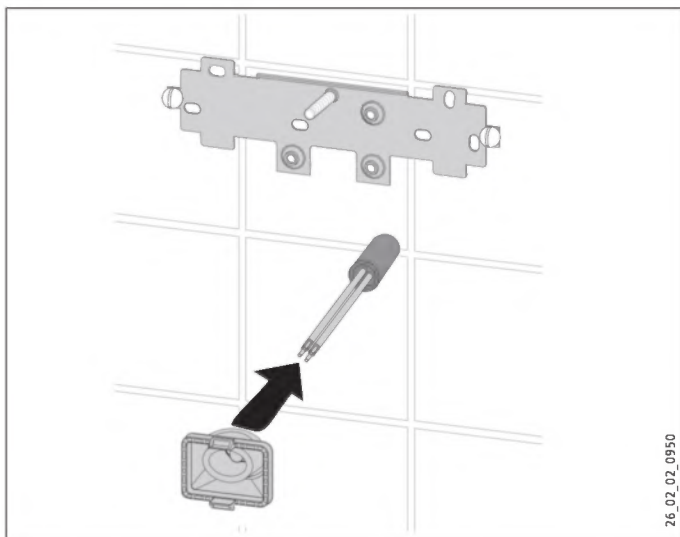


Fitting the wall mounting bracket



- ▶ Mark out the holes for drilling using the installation template. If the appliance is to be installed with water connections on finished walls, also mark out the fixing holes in the lower part of the template.
- ▶ Drill the holes and secure the wall mounting bracket with 2 screws and 2 rawl plugs (screws and rawl plugs are not part of the standard delivery).
- ▶ Fit the threaded stud provided.
- ▶ Fit the wall mounting bracket.

Fitting the cable grommet



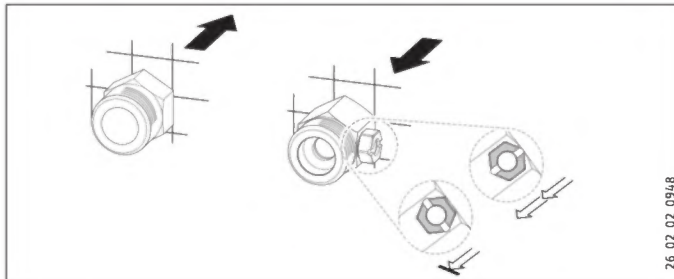
- ▶ Fit the cable grommet. For connecting cables $> 6 \text{ mm}^2$, enlarge the hole in the cable grommet.

Making the water connection



Material losses

Carry out all water connection and installation work in accordance with regulations.



- ▶ Seal and insert the twin connectors.



Material losses

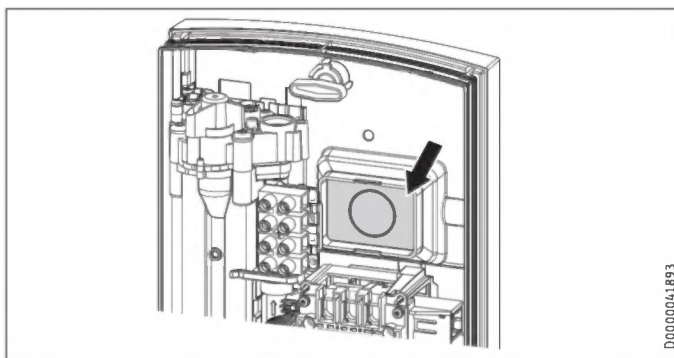
Never use the shut-off valve in the cold water inlet to reduce the flow rate.

Preparing the back panel



Material losses

If you break open the wrong knock-out in the back panel by mistake, you must use a new back panel.

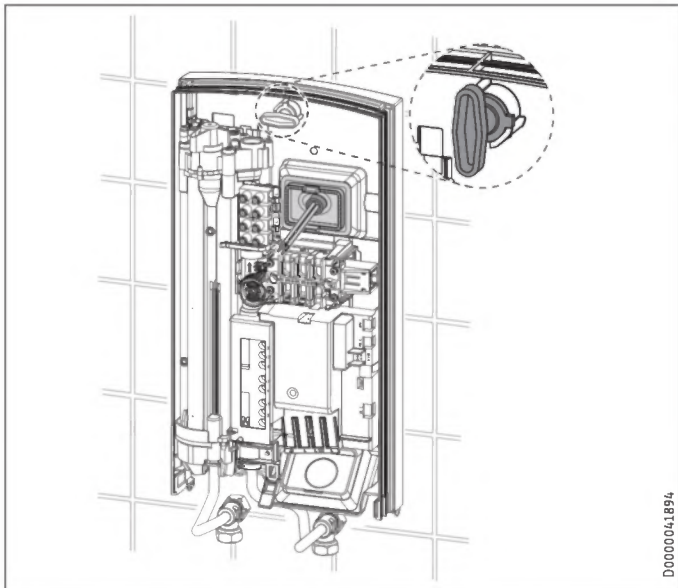


- ▶ Break out the cable grommet knock-out in the back panel. Deburr any sharp edges with a file if necessary.

INSTALLATION

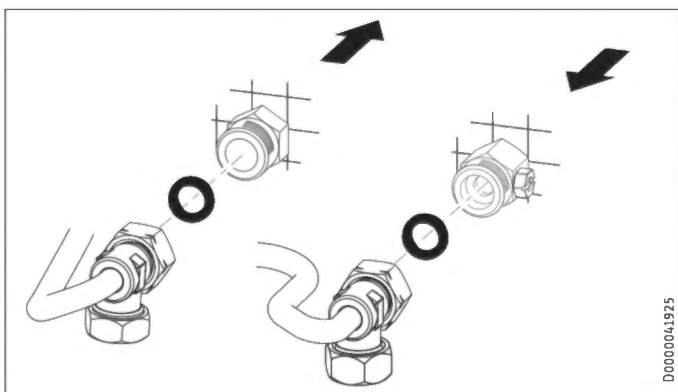
Installation

Installing the appliance



D0000041B94

- ▶ Push the back panel over the threaded stud and the cable grommet. Pull the cable grommet by the locking hooks into the back panel using pliers, until both locking hooks audibly click into place.
- ▶ Remove the protective transport plugs from the water connections.
- ▶ Press the back panel firmly into place and lock the fixing toggle by turning it clockwise through 90°.



D0000041B25

- ▶ Screw the water connection pipes with flat gaskets onto the twin connectors.



Material losses

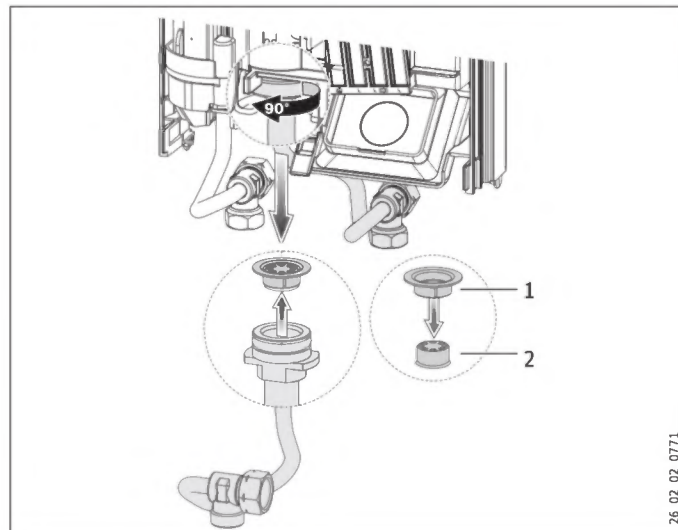
- The strainer must be fitted for the appliance to function.
 - ▶ When replacing an appliance, check whether the strainer is installed (see chapter "Maintenance").

Removing the flow limiter



Material losses

- If you use a thermostatic valve, the flow limiter must not be removed.



26_02_02_0771

- 1 Plastic profile washer
 - 2 Flow limiter
- ▶ Remove the flow limiter and refit the plastic profile washer.

Making the electrical connection



WARNING Electrocutation

Carry out all electrical connection and installation work in accordance with relevant regulations.



WARNING Electrocutation

The connection to the power supply must be in the form of a permanent connection in conjunction with the removable cable grommet. Ensure the appliance can be separated from the power supply by an isolator that disconnects all poles with at least 3 mm contact separation.



WARNING Electrocutation

Ensure that the appliance is earthed.



Material losses

- Observe the type plate. The specified voltage must match the mains voltage.

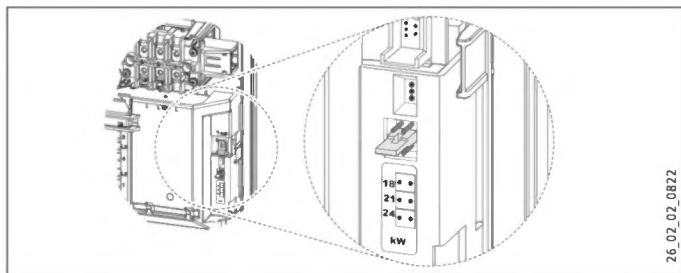
- ▶ Connect the power cable to the mains terminal (see chapter "Specification / Wiring diagram").

INSTALLATION

Installation

Re-plugging the coding card

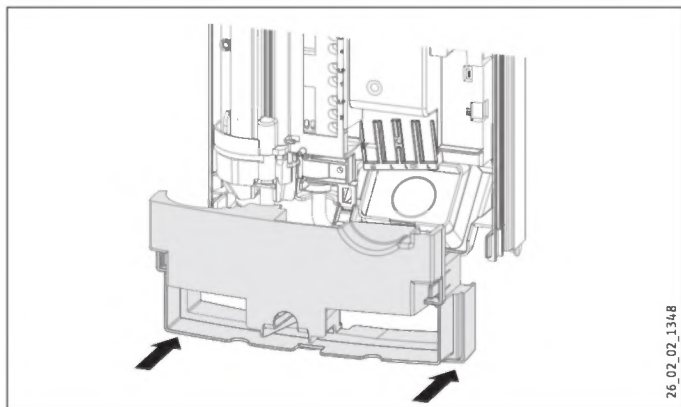
In its delivered condition, the appliance is set to 21 kW. When changing to a different connected load, carry out the following steps:



26_02_02_08122

- ▶ Re-plug the coding card according to the selected connected load (for selectable connected load and fuse protection of the appliance, see "Specification / Data table").
- ▶ Tick the selected connected load on the type plate. Use a ballpoint pen to do this.

Fitting the base part of the back panel

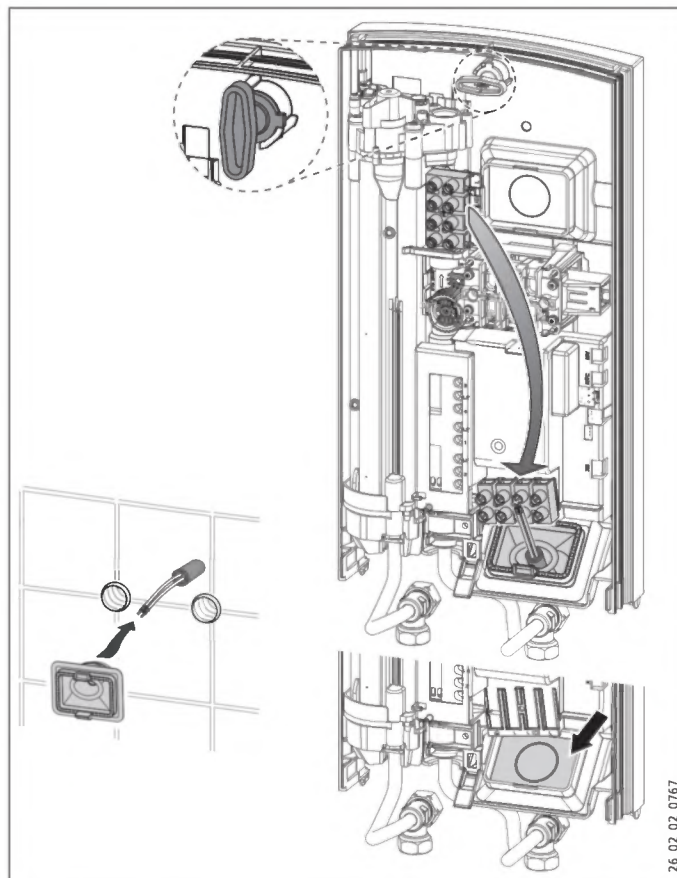


26_02_02_13448

- ▶ Position the lower back panel on the main back panel and click it into place.
- ▶ Align the mounted appliance by undoing the fixing toggle, aligning the power supply and back panel, and then re-tightening the fixing toggle. If the back panel is not flush with the wall, the appliance can be secured at the bottom with two additional screws.

10.2 Alternative installation methods

10.2.1 Electrical connection from below on unfinished walls



26_02_02_07167

- ▶ Fit the cable grommet.



Material losses

If you break open the wrong knock-out in the back panel by mistake, you must use a new back panel.

- ▶ Break out the cable grommet knock-out in the back panel. Deburr any sharp edges with a file if necessary.
- ▶ Reposition the mains terminal in the appliance from the top to the bottom.
- ▶ Push the back panel over the threaded stud and the cable grommet. Pull the cable grommet by the locking hooks into the back panel using pliers, until both locking hooks audibly click into place.
- ▶ Press the back panel firmly into place and lock the fixing toggle by turning it clockwise through 90°.

INSTALLATION

Installation

10.2.2 Electrical connection on finished walls



Note

This type of connection changes the IP rating of the appliance.

- ▶ Change the type plate. Cross out "IP 25" and mark the box "IP 24". Use a ballpoint pen to do this.



Material losses

If you break open the wrong knock-out in the back panel by mistake, you must use a new back panel.

- ▶ Cleanly cut or break out the required cable entries in the back panel (for positions, see chapter "Specification / Dimensions and connections"). Deburr any sharp edges with a file if necessary.
- ▶ Route the power cable through the cable grommet and connect it to the mains terminal.

10.2.3 Connecting a load shedding relay

When operating additional electric appliances, such as electric storage heaters, install a load shedding relay in the distribution board. The relay responds when the instantaneous water heater starts.



Material losses

Connect the phase that switches the load shedding relay to the indicated terminal of the mains terminal in the appliance (see chapter "Specification / Wiring diagram").

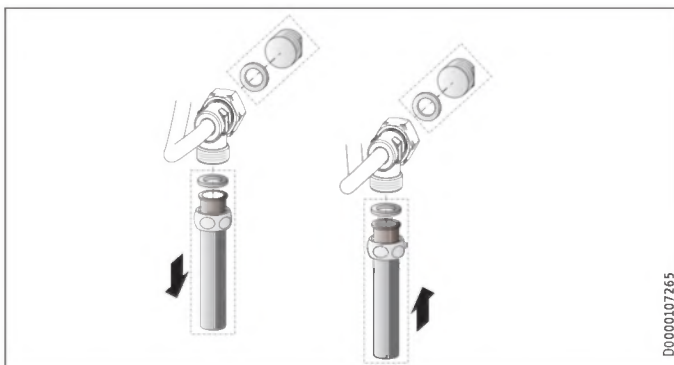
10.2.4 Water installation on finished walls



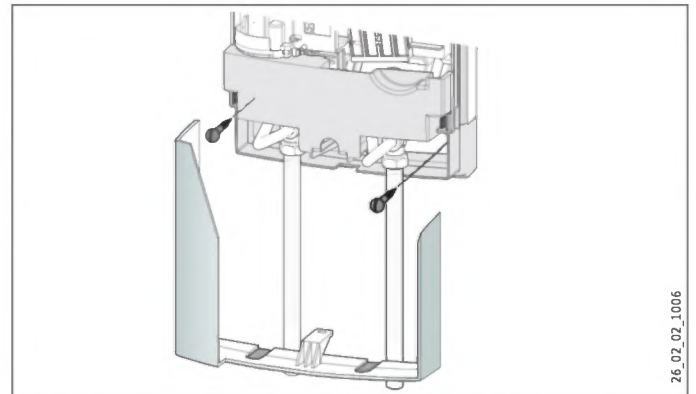
Note

This type of connection changes the IP rating of the appliance.

- ▶ Change the type plate. Cross out "IP 25" and mark the box "IP 24". Use a ballpoint pen to do this.



- ▶ Fit water plugs with gaskets to seal the concealed connections.
- ▶ Fit a suitable pressure tap.



26_02_02_1006

- ▶ Secure the back panel at the bottom with two additional screws.
- ▶ Slide the lower back panel under the connection pipes of the tap and click the lower back panel into place.
- ▶ Secure the connection pipes to the appliance.



Material losses

If you break open the wrong knock-out in the appliance cover by mistake, you must use a new appliance cover.

- ▶ Cleanly break out the knock-outs in the appliance cover. Deburr any sharp edges with a file if necessary.

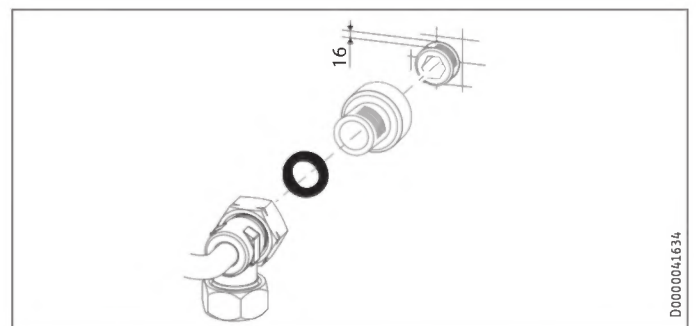
10.2.5 Water installation on unfinished walls for appliance replacement

If the existing twin connectors of the old appliance only protrude from the wall by approx. 16 mm, you cannot use the twin connectors provided.



Note

With this connection, the cold water supply can only be shut off within the domestic installation.



D0000041634

- ▶ Seal and fit the screw-in tap extensions provided.
- ▶ Connect the appliance.

INSTALLATION

Commissioning

10.2.6 Operation with preheated water

You can limit the maximum inlet temperature by installing a central thermostatic valve.

10.2.7 Temperature limit

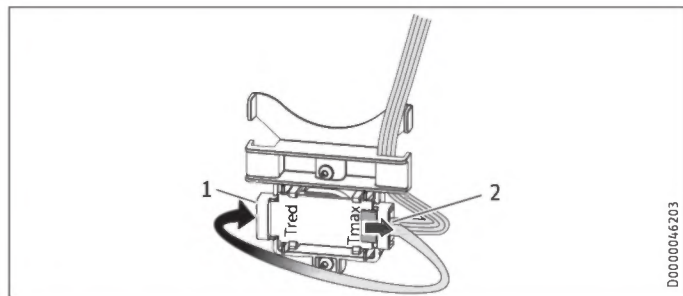


CAUTION Burns

When operating with preheated water, the set temperature limit may be ineffective.

- ▶ In such cases, limit the temperature with an upstream central thermostatic valve.

You can adjust the temperature limit inside the appliance cover.



D0000046203

- 1 Position "Tred" (55 °C): Temperature limit
- 2 Position "Tmax": No temperature limit, for temperature setting range, see chapter "Specification / Data table".

10.3 Completing the installation

- ▶ Open the shut-off valve in the twin connector or the cold water inlet line.

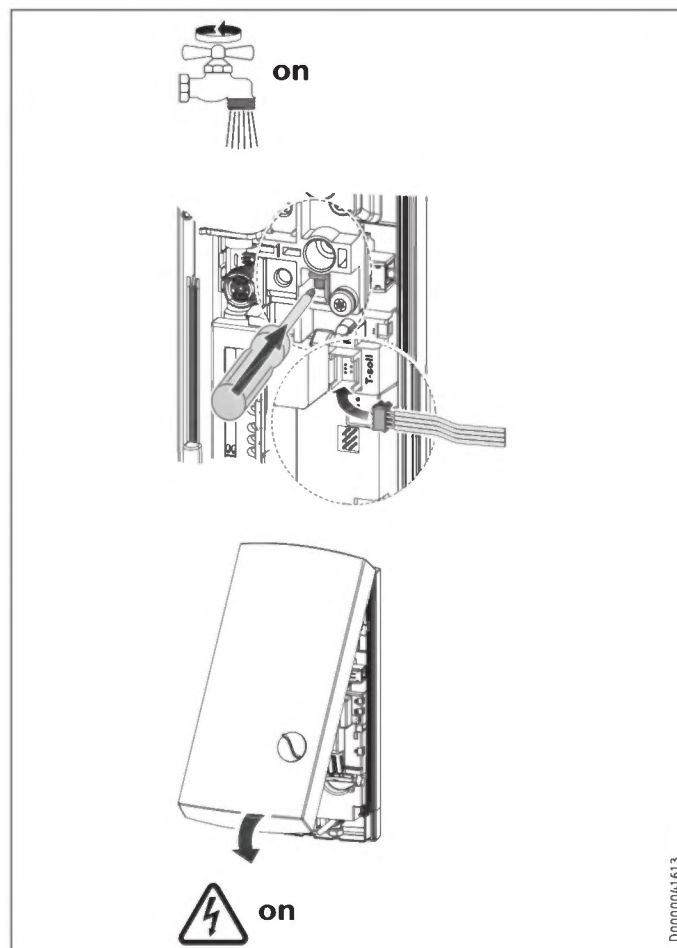
11. Commissioning



WARNING Electrocutation

Commissioning must only be carried out by a qualified contractor in accordance with safety regulations.

11.1 Initial start-up



D0000041613

- ▶ Open and close all connected draw-off valves several times, until all air has been purged from the pipework and the appliance.
- ▶ Carry out a tightness check.
- ▶ Activate the safety pressure limiter by firmly pressing the reset button (the appliance is delivered with the safety pressure limiter deactivated).
- ▶ Plug the temperature selector cable plug into the PCB.
- ▶ Fit the appliance cover, ensuring it clicks into place. Check that the appliance cover is seated correctly.
- ▶ Switch the power supply ON.
- ▶ Check the appliance function.

Appliance shutdown

Appliance handover

- ▶ Explain the appliance function to users and familiarise them with how it works.
- ▶ Make the user aware of potential dangers, especially the risk of scalding.
- ▶ Hand over these instructions.

11.2 Recommissioning

Vent the appliance and the cold water inlet line (see chapter "Settings").

See chapter "Initial start-up".

12. Appliance shutdown

- ▶ Isolate all poles of the appliance from the power supply.
- ▶ Drain the appliance (see chapter "Maintenance").

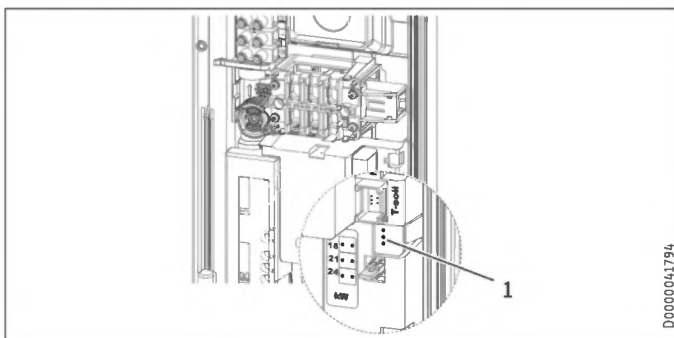
13. Troubleshooting



WARNING Electrocutation
To test the appliance, it must be supplied with power.

Indicator options for diagnostic traffic light (LED)

●	Red	Illuminates in the event of a fault
●	Yellow	Illuminates during heating operation
○	Green	Flashing: Appliance connected to power supply



1 Diagnostic traffic light

Fault / LED diagnostic traffic light	Cause	Remedy
The flow rate is too low.	The strainer in the appliance is dirty.	Clean the strainer.
The set temperature is not achieved.	One phase down.	Check the fuse/ MCB in your fuse box/distribution board.
The heating system does not switch on.	Air has been detected in the water and heating output is briefly switched off.	The appliance restarts after one minute.
No hot water and no traffic light display.	The MCB/fuse has responded/blown.	Check the fuse/ MCB in your fuse box/distribution board.
	Safety pressure limiter AP 3 has tripped.	Remove the cause of the fault (e.g. faulty pressure flush). Protect the heating system against overheating by opening a draw-off valve downstream of the appliance for one minute. This depressurises and cools down the heating system. Activate the safety pressure limiter at flow pressure by pressing the reset button (see chapter "Commissioning").
	The PCB is faulty.	Check the PCB and replace if required.
Traffic light display: Green flashing or constantly on	The PCB is faulty.	Check the PCB and replace if required.
No hot water at flow rate of > 3 l/min.	The flow meter (DFE) is not plugged in.	Plug the flow meter plug back in.
	The flow meter (DFE) is faulty.	Check the flow meter and replace if required.
Traffic light display: Steady yellow light, flashing green light	The high limit safety cut-out has responded or suffered a lead break.	Check the high limit safety cut-out and replace it if required.
No hot water at flow rate of > 3 l/min.	The heating system is faulty.	Check the heating system resistor and replace if required.
	The PCB is faulty.	Check the PCB and replace if required.
Traffic light display: Yellow constantly on; green flashing	The outlet sensor is unplugged or the lead is broken.	Plug in the outlet sensor or replace if required.
Traffic light display: Red constantly on; green flashing	The cold water sensor is faulty.	Check the PCB and replace if required.
No hot water Required temperature > 45 °C is not achieved.	The cold water inlet temperature exceeds 45 °C.	Reduce the cold water inlet temperature to the appliance.
Traffic light display: Red constantly on; green flashing	The outlet sensor is faulty (short circuit).	Check the outlet sensor and replace if required.

14. Maintenance



WARNING Electrocutation
Before any work on the appliance, disconnect all poles from the power supply.

Draining the appliance

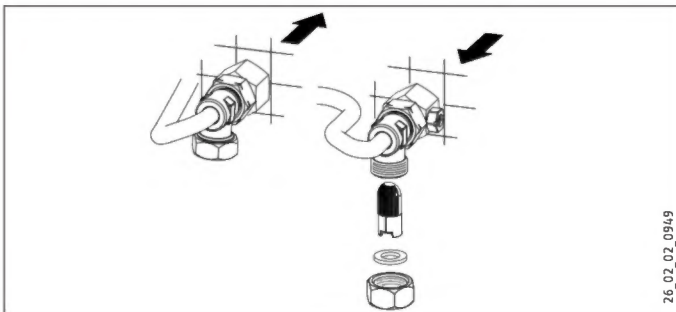
The appliance can be drained for maintenance work.



WARNING Burns
Hot water may escape when draining the appliance.

- ▶ Close the shut-off valve in the twin connector or the cold water inlet line.
- ▶ Open all draw-off valves.
- ▶ Undo the water connections on the appliance.
- ▶ Store the dismantled appliance in a room free from the risk of frost, as water residues remaining inside the appliance can freeze and cause damage.

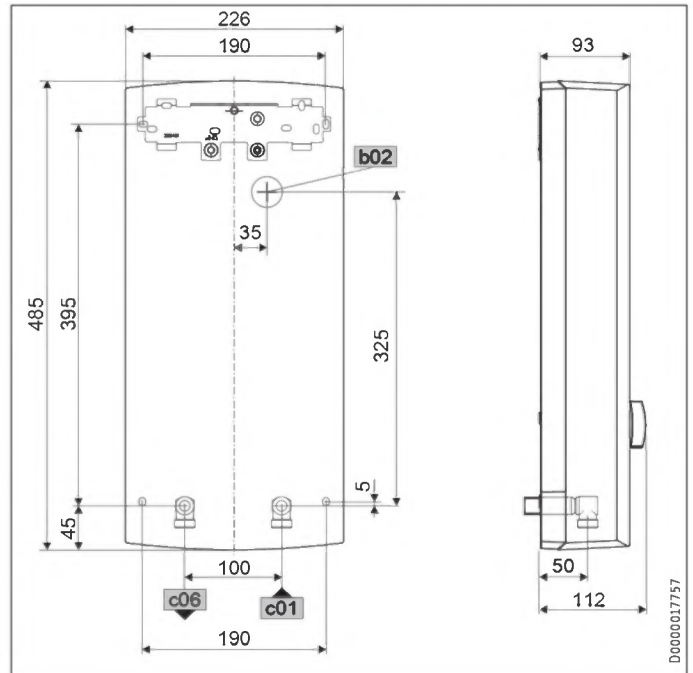
Cleaning the strainer



If dirty, clean the strainer in the threaded cold water fitting. Close the shut-off valve in the cold water inlet line before removing, cleaning and refitting the strainer.

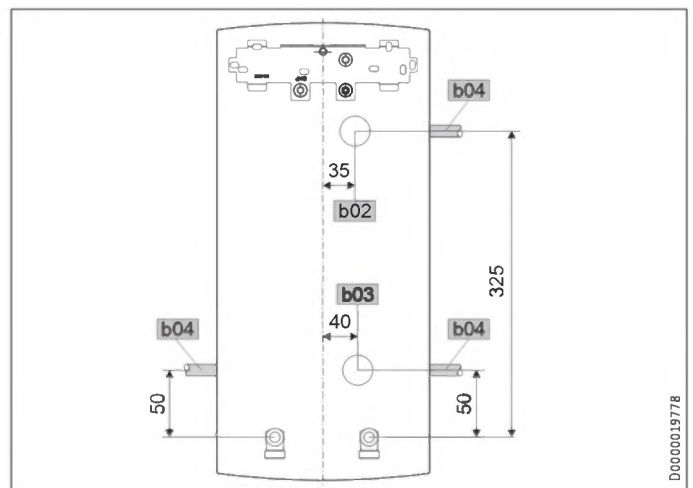
15. Specification

15.1 Dimensions and connections



b02	Entry electrical cables I		
c01	Cold water inlet	Male thread	G 1/2 A
c06	DHW outlet	Male thread	G 1/2 A

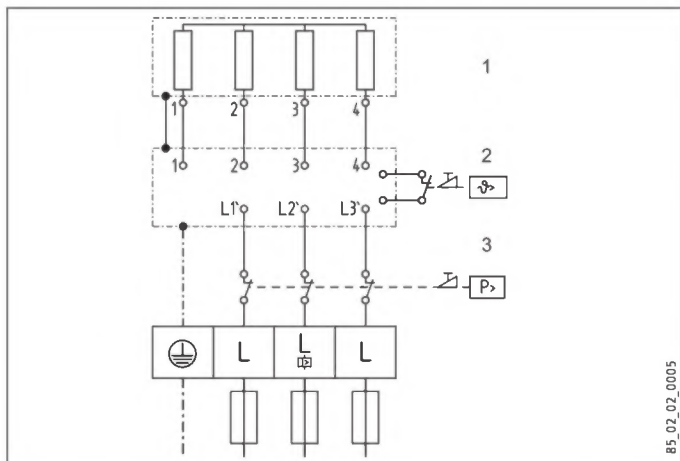
Alternative connection options



b02	Entry electrical cables I		
b03	Entry electrical cables II		
b04	Entry electrical cables III		

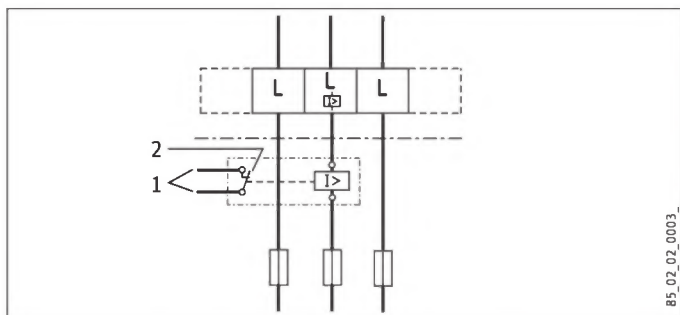
15.2 Wiring diagram

3/PE ~ 380-415 V



- 1 Heating
- 2 High limit safety cut-out
- 3 Safety pressure limiter

Priority control with LR 1-A



- 1 Control cable to the contactor of the 2nd appliance (e.g. electric storage heater).
- 2 Control contact drops out when switching the instantaneous water heater on.

15.3 DHW output

The DHW output is subject to the mains voltage, the appliance's connected load and the cold water inlet temperature. The rated voltage and rated output can be found on the type plate (see chapter "Troubleshooting").

Connected load in kW			38 °C DHW output in L/min.			
Rated voltage			Cold water inlet temperature			
380 V	400 V	415 V	5 °C	10 °C	15 °C	20 °C
16.2			7.0	8.3	10.1	12.9
19			8.2	9.7	11.8	15.1
21.7			9.4	11.1	13.5	17.2
	18		7.8	9.2	11.2	14.3
	21		9.1	10.7	13.0	16.7
	24		10.4	12.2	14.9	19.0
		19.4	8.4	9.9	12.0	15.4
		22.6	9.8	11.5	14.0	17.9
		25.8	11.2	13.2	16.0	20.5

Connected load in kW			50 °C DHW output in L/min.			
Rated voltage			Cold water inlet temperature			
380 V	400 V	415 V	5 °C	10 °C	15 °C	20 °C
16.2			5.1	5.8	6.6	7.7
19			6.0	6.8	7.8	9.0
21.7			6.9	7.8	8.9	10.3
	18		5.7	6.4	7.3	8.6
	21		6.7	7.5	8.6	10.0
	24		7.6	8.6	9.8	11.4
		19.4	6.2	6.9	7.9	9.2
		22.6	7.2	8.1	9.2	10.8
		25.8	8.2	9.2	10.5	12.3

15.4 Application areas / Conversion table

Specific electrical resistivity and specific electrical conductivity (see chapter "Data table").

Standard specification at 15 °C			20 °C			25 °C		
Resis- tivity $\rho \geq$	Conductivity $\sigma \leq$		Resis- tivity $\rho \geq$	Conductivity $\sigma \leq$		Resis- tivity $\rho \geq$	Conductivity $\sigma \leq$	
$\Omega \text{ cm}$	mS/m	$\mu\text{S/cm}$	$\Omega \text{ cm}$	mS/m	$\mu\text{S/cm}$	$\Omega \text{ cm}$	mS/m	$\mu\text{S/cm}$
900	111	1111	800	125	1250	735	136	1361
1000	100	1000	890	112	1124	815	123	1227
1200	83	833	1070	93	935	985	102	1015
1300	77	769	1175	85	851	1072	93	933

15.5 Pressure drop

Taps

Tap pressure drop at a flow rate of 10 L/min

Mono lever mixer tap, approx.	MPa	0.04 - 0.08
Thermostatic valve, approx.	MPa	0.03 - 0.05
Hand shower, approx.	MPa	0.03 - 0.15

Sizing the pipework

When calculating the size of the pipework, an appliance pressure drop of 0.1 MPa is recommended.

15.6 Fault conditions

In the event of a fault, loads up to a maximum of 95 °C at a pressure of 1.2 MPa can occur temporarily in the installation.

15.7 Energy consumption data

Product datasheet: Conventional water heaters to regulation (EU) no. 812/2013 and 814/2013 / (S.I. 2019 No. 539 / Schedule 2)

	PEY 18/21/24
	233993
Manufacturer	STIEBEL ELTRON
Load profile	S
Energy efficiency class	A
Energy conversion efficiency	% 39
Annual power consumption	kWh 477
Default temperature setting	°C 60
Sound power level	dB(A) 15
Special information on measuring efficiency	Data at Pmax.
Daily power consumption	kWh 2.198

15.8 Data table

		PEY 18/21/24 233993		
Electrical data				
Rated voltage	V	380	400	415
Rated output	kW	16.2/19/21.7	18/21/24	19.4/22.6/25.8
Rated current	A	27.6/29.5/33.3	29/31/35	30.1/32.2/36.3
Fuse protection	A	32/32/35	32/32/35	32/32/40
Frequency	Hz	50/60	50/60	50/-
Phases				3/PE
Specific resistance $\rho_{15} \geq$ (at $\vartheta_{\text{cold}} \leq 25^\circ\text{C}$)	$\Omega \text{ cm}$	900	900	1000
Specific conductivity $\sigma_{15} \leq$ (at $\vartheta_{\text{cold}} \leq 25^\circ\text{C}$)	$\mu\text{S/cm}$	1111	1111	1000
Specific resistance $\rho_{15} \geq$ (at $\vartheta_{\text{cold}} \leq 45^\circ\text{C}$)	$\Omega \text{ cm}$	1200	1200	1300
Specific conductivity $\sigma_{15} \leq$ (at $\vartheta_{\text{cold}} \leq 45^\circ\text{C}$)	$\mu\text{S/cm}$	833	833	770
Max. mains impedance at 50 Hz	Ω	0.284	0.270	0.260
Versions				
Heating system heat generator				Bare wire
Insulating block				Plastic
Adjustable connected load				X
Temperature settings	$^\circ\text{C}$			Approx. 30-60
Cover and back panel				Plastic
IP rating				IP25
Colour				White
Connections				
Water connection				G 1/2 A
Application limits				
Max. permissible pressure	MPa			1
Max. inlet temperature for re-heating	$^\circ\text{C}$			45
Values				
Max. permissible inlet temperature	$^\circ\text{C}$			60
ON	l/min			>3
Flow rate for pressure drop	l/min			5.2/6.0/6.9
Pressure drop at flow rate	MPa			0.08/0.10/0.13 (0.06/0.08/0.10 without DMB)
Flow rate limit at	l/min			8.0
DHW delivery	l/min			9.4/11.0/12.6
$\Delta\vartheta$ on delivery	K			26
Hydraulic data				
Nominal capacity	l			0.4
Dimensions				
Height	mm			485
Width	mm			226
Depth	mm			93
Weights				
Weight	kg			3.6

Guarantee

The guarantee conditions of our German companies do not apply to appliances acquired outside of Germany. In countries where our subsidiaries sell our products a guarantee can only be issued by those subsidiaries. Such guarantee is only granted if the subsidiary has issued its own terms of guarantee. No other guarantee will be granted.

We shall not provide any guarantee for appliances acquired in countries where we have no subsidiary to sell our products. This will not affect warranties issued by any importers.

Environment and recycling

We would ask you to help protect the environment. After use, dispose of the various materials in accordance with national regulations.



Note

The appliance conforms to IEC 61000-3-12.

INDICACIONES ESPECIALES

OPERACIÓN

1. Indicaciones generales	18
1.1 Instrucciones de seguridad	18
1.2 Otras marcas presentes en esta documentación	19
1.3 Unidades de medida	19
2. Seguridad	19
2.1 Utilización conforme a las prescripciones	19
2.2 Instrucciones generales de seguridad	19
2.3 Sello de certificación	19
3. Descripción del aparato	19
4. Ajustes	20
4.1 Recomendaciones de configuración	20
5. Limpieza, conservación y mantenimiento	20
6. Resolución de problemas	20

INSTALACIÓN

7. Seguridad	21
7.1 Instrucciones generales de seguridad	21
7.2 Modo de ducha	21
7.3 Reglamentos, normas y disposiciones	21
8. Descripción del aparato	21
8.1 Ámbito de suministro	21
9. Preparativos	21
9.1 Lugar de montaje	21
9.2 Instalación de agua	22
10. Montaje	22
10.1 Montaje estándar	22
10.2 Alternativas de montaje	25
10.3 Últimos pasos de montaje	27
11. Puesta en marcha	27
11.1 Primera puesta en marcha	27
11.2 Nueva puesta en marcha	28
12. Puesta fuera de servicio	28
13. Localización y reparación de averías	28
14. Mantenimiento	29
15. Especificaciones técnicas	29
15.1 Dimensiones y conexiones	29
15.2 Esquema de conexiones eléctricas	30
15.3 Rendimiento de agua caliente	30
15.4 Ámbitos de aplicación / Tabla de conversión	30
15.5 Pérdida de presión	30
15.6 Condiciones en caso de avería	30
15.7 Datos sobre el consumo energético	30
15.8 Tabla de especificaciones	31

GARANTÍA

MEDIO AMBIENTE Y RECICLADO

INDICACIONES ESPECIALES

- El aparato puede ser utilizado por niños de a partir de 3 años, así como por personas con capacidades físicas, sensoriales o mentales limitadas, o con falta de experiencia y conocimientos, solo bajo la vigilancia de otra persona o si antes han recibido instrucciones sobre el uso seguro del aparato y han comprendido los peligros que pueden derivarse. No deje que los niños jueguen con el aparato. Las tareas de limpieza y mantenimiento propias del usuario no deben ser realizadas por niños sin vigilancia.
- Los grifos/válvulas pueden alcanzar temperaturas de hasta 60 °C. A temperaturas de salida superiores a 43 °C existe peligro de escaldamiento.
- El aparato es apto para el abastecimiento de una ducha (modo de ducha). Si el aparato se utiliza también o exclusivamente para el modo de ducha, el profesional técnico especializado debe activar el rango de ajuste de temperatura a través de la limitación de temperatura (Tred = 55 °C) en el aparato. Si se utiliza agua precalentada, asegúrese de que la temperatura de admisión no supere los 55 °C.
- El aparato debe poder desconectarse omnipolarmente de la red eléctrica mediante una separación de al menos 3 mm.
- La tensión indicada debe coincidir con la tensión de red disponible.
- El aparato debe estar conectado a un conductor de puesta a tierra.
- El aparato debe estar continuamente conectado a un cableado fijo.
- Fije el aparato tal como se describe en el capítulo "Instalación / Montaje".

- Tenga en cuenta la presión máxima admisible (véase el capítulo "Instalación / Especificaciones técnicas / Tabla de especificaciones").
- La resistencia específica del agua de la red de abastecimiento de agua no debe tener un valor inferior al mínimo (véase el capítulo "Instalación / Especificaciones técnicas / Tabla de especificaciones").
- Vacíe el aparato tal y como se describe en el capítulo "Instalación / Mantenimiento / Vaciado del aparato".

OPERACIÓN

1. Indicaciones generales

Los capítulos "Indicaciones especiales" y "Utilización" están dirigidos al usuario del aparato y al profesional técnico especializado.

El capítulo "Instalación" está dirigido al profesional técnico especializado.



Nota

Lea atentamente estas instrucciones antes del uso y archívelas en un lugar seguro. Si entrega este aparato a otros usuarios, no olvide incluir las instrucciones.

1.1 Instrucciones de seguridad

1.1.1 Estructura de las instrucciones de seguridad



PALABRA DE ADVERTENCIA Tipo de peligro

Mediante este tipo de palabras se explican las posibles consecuencias en caso de desobedecimiento de las instrucciones de seguridad.

► Aquí se proponen las medidas necesarias para evitar el peligro.

1.1.2 Símbolos, tipo de peligro

Símbolo	Tipo de peligro
	Lesión
	Electrocución
	Quemaduras (quemaduras, escaldadura)

1.1.3 Palabras de advertencia

PALABRA DE ADVERTENCIA	Significado
PELIGRO	Indicaciones cuyo desobedecimiento tiene como consecuencia lesiones graves o la muerte.
ADVERTENCIA	Indicaciones cuyo desobedecimiento puede tener como consecuencia lesiones graves o la muerte.
PRECAUCIÓN	Indicaciones cuyo desobedecimiento puede tener como consecuencia lesiones de gravedad media o baja.

1.2 Otras marcas presentes en esta documentación

**Nota**

Las indicaciones generales se señalizan mediante el símbolo adyacente.

► Lea atentamente las indicaciones.

Símbolo	Significado
	Daños materiales (daños en el aparato, indirectos, medioambientales)
	Eliminación del aparato

► Este símbolo le indica que usted tiene que hacer algo. Se describen paso a paso las medidas necesarias.

1.3 Unidades de medida

**Nota**

Si no se indica lo contrario, todas las dimensiones estarán expresadas en milímetros.

2. Seguridad

2.1 Utilización conforme a las prescripciones

El aparato a presión sirve para calentar agua potable o para calentar agua previamente calentada. El aparato puede alimentar uno o varios puntos de dispensado.

El aparato está previsto para utilizarse en un ámbito doméstico. Las personas no instruidas lo pueden manejar de forma segura. El aparato puede utilizarse igualmente en ámbitos que no sean domésticos, como en pequeñas empresas, siempre que se maneje del mismo modo.

Cualquier otro uso distinto al aquí previsto se considera un uso indebido. Se considera uso previsto el cumplimiento de estas instrucciones, así como las instrucciones de los accesorios utilizados.

2.2 Instrucciones generales de seguridad

**PRECAUCIÓN Quemaduras**

Los grifos/válvulas pueden alcanzar temperaturas de hasta 60 °C. A temperaturas de salida superiores a 43 °C existe peligro de escaldamiento.

**PRECAUCIÓN Quemaduras**

La temperatura del agua caliente puede ser distinta de la temperatura de referencia ajustada en un funcionamiento con agua precalentada; p. ej., un sistema de calefacción solar.

**ADVERTENCIA Lesiones**

El aparato puede ser utilizado por niños a partir de 3 años, así como por personas con capacidades físicas, sensoriales o mentales limitadas, o con falta de experiencia y conocimientos, solo bajo la vigilancia de otra persona o si antes han recibido instrucciones sobre el uso seguro del aparato y han comprendido los peligros que pueden derivarse. No deje que los niños jueguen con el aparato. Las tareas de limpieza y mantenimiento propias del usuario no deben ser realizadas por niños sin vigilancia.

En caso de que niños u otras personas con capacidades físicas, sensoriales o mentales limitadas utilicen el aparato, recomendamos una limitación de temperatura permanente. La limitación puede realizarla un profesional técnico especializado.

**Daños materiales**

El usuario debe proteger el aparato y los grifos/válvulas frente a la formación de escarcha.

2.3 Sello de certificación

Véase la placa de especificaciones técnicas en el aparato.

3. Descripción del aparato

El calentador instantáneo con regulación electrónica con adaptación automática de la potencia mantiene constante la temperatura de salida hasta el límite de rendimiento. Posteriormente, la temperatura se selecciona mediante la grifería de dispensado.

Temperatura del agua caliente

La temperatura de salida del agua caliente puede regularse mediante un sistema de regulación continua.

Limitación de temperatura interna (profesional técnico especializado)

Si así se desea, el profesional técnico especializado puede activar una limitación de temperatura permanente.

Cuando se suministra una ducha, el profesional técnico especializado debe activar la limitación de temperatura.

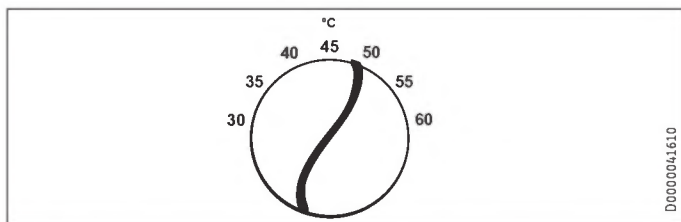
Sistema de calefacción

El sistema de calefacción de cables desnudos tiene una capa de plástico estanca a la presión. El sistema de calefacción es apto para agua tanto pobre como rica en cal, ya que es resistente a la acumulación de cal. El sistema de calefacción abastece agua caliente de forma rápida y eficaz.

**Nota**

El aparato está equipado con un sistema de detección de aire que evita que se produzcan daños en el sistema de calefacción. Si durante el funcionamiento entra aire en el aparato, el aparato desconectará la potencia de calefacción durante un minuto, con lo que protegerá el sistema de calefacción.

4. Ajustes



- Gire el selector de temperatura hacia la posición deseada.

Si con el grifo totalmente abierto y el ajuste de temperatura máximo no se alcanza una temperatura de salida suficiente, fluirá un caudal de agua a través del aparato mayor que el que el cuerpo calefactor es capaz de calentar.

- Reduzca el caudal del grifo.

4.1 Recomendaciones de configuración

Su calentador instantáneo asegura la máxima precisión y el máximo confort en la preparación de agua caliente. Si a pesar de ello utiliza el aparato con una valvulería de termostato, le recomendamos que:

- Configure la temperatura del aparato a la temperatura máxima. Ajuste la temperatura de referencia deseada en la valvulería del termostato.

Ahorrar energía

Se consumirá menos energía con los siguientes ajustes recomendados:

- 38 °C para el lavamanos, ducha y bañera
- 55 °C para el fregadero de la cocina

Ajustes recomendados para el funcionamiento con una valvulería de termostato y agua precalentada por energía solar

- Configure la temperatura del aparato a la temperatura máxima.

Tras interrumpir el abastecimiento de agua



Daños materiales

Para que el sistema de calefacción de cables desnudos no se destruya tras interrumpir el abastecimiento de agua, el aparato se tiene que volver a poner en marcha con los pasos siguientes.

- Desenergice el aparato desconectando los fusibles.
- Abra el grifo durante un minuto hasta que no quede aire en el aparato ni en la tubería de suministro de agua fría conectada antes.
- Vuelva a encender la alimentación eléctrica.

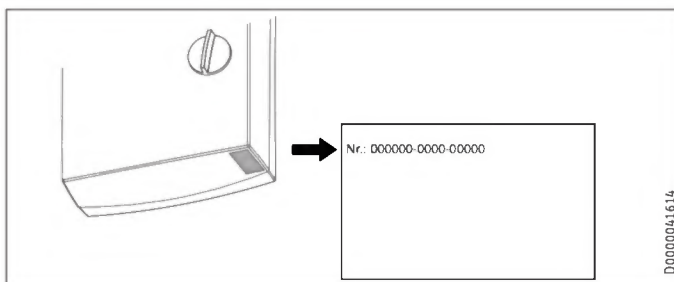
5. Limpieza, conservación y mantenimiento

- No utilice detergentes agresivos ni disolventes. Para conservar y limpiar el aparato basta con utilizar un paño húmedo.
- Revise la grifería/valvulería periódicamente. La cal en las tomas de grifos puede eliminarse utilizando los productos anticales disponibles en el mercado.

6. Resolución de problemas

Problema	Causa	Solución
El aparato no se enciende a pesar de que la válvula de agua caliente está completamente abierta.	No hay tensión.	Revise los fusibles de la caja de fusibles doméstica.
	Caudal insuficiente. El regulador de chorro en el grifo o el cabezal de la ducha presentan cal o están sucios.	Limpie y/o elimine la cal del regulador de chorro o del cabezal de la ducha.
No se alcanza la temperatura deseada > 45 °C.	El abastecimiento de agua está interrumpido.	Purgue el aire del aparato y del tubo de alimentación de agua fría (consulte el capítulo "Configuración").
	La temperatura de admisión del agua fría es > 45 °C.	Reduzca la temperatura de admisión del agua fría.

Si no puede solucionar la causa, llame al profesional técnico especializado. Para poder ayudarlo mejor y con mayor rapidez, indique el número de la placa de especificaciones técnicas (000000-0000-00000).



INSTALACIÓN

7. Seguridad

La instalación, la puesta en marcha y el mantenimiento y reparación del aparato deben ser realizados exclusivamente por un profesional técnico especializado.

7.1 Instrucciones generales de seguridad

Solo garantizamos un nivel óptimo de funcionalidad y de seguridad y fiabilidad de funcionamiento si se utilizan accesorios y piezas de repuesto originales específicos para el aparato.



Daños materiales

Tenga en cuenta la temperatura máxima de admisión. El aparato se puede dañar si la temperatura es elevada. Instalando una válvula termostática central puede limitar la temperatura máxima de admisión.



ADVERTENCIA Electrocuación

Este aparato contiene condensadores que se descargan tras ser separados de la red de corriente. La tensión de descarga del condensador puede, en su caso, ser de > 60 V DC a corto plazo.

7.2 Modo de ducha



PRECAUCIÓN Quemaduras

► Cuando se suministre agua a una ducha, ajuste la limitación de temperatura interna en "Tred" (consulte el capítulo "Alternativas de montaje / Limitación de temperatura").



PRECAUCIÓN Quemaduras

Cuando se suministre agua precalentada al aparato, tenga en cuenta lo siguiente:
Se puede sobrepasar la limitación de temperatura ajustable internamente.

► Limite la temperatura con una valvulería de termostato central conectada antes.

7.3 Reglamentos, normas y disposiciones



Nota

Observe todos los reglamentos y disposiciones nacionales y regionales.

- El tipo de protección IP 25 (protección frente a salpicaduras de agua) solo se garantiza con un manguito de cable montado conforme a la normativa vigente.

- La resistencia eléctrica específica del agua no debe ser menor que la indicada en la placa de especificaciones técnicas. En una red colectiva de agua debe tenerse en cuenta la resistencia eléctrica mínima del agua (consulte el capítulo "Especificaciones técnicas / Ámbitos de aplicación / Tabla de conversión"). Puede consultar cuál es la resistencia eléctrica específica o la conductividad eléctrica del agua a su compañía de aguas.

8. Descripción del aparato

8.1 Ámbito de suministro

El suministro del aparato incluye:

- Enganche de pared
- Pernos roscados para enganche de pared
- Plantilla de montaje
- 2 racores dobles (agua fría con válvula de cierre)
- Juntas planas
- Manguito del cable (cable de alimentación eléctrica arriba/abajo)
- Tornillos/tacos para fijación en pared en conexión de agua vista

Para el cambio del aparato:

- 2 prolongaciones de grifo

9. Preparativos

9.1 Lugar de montaje



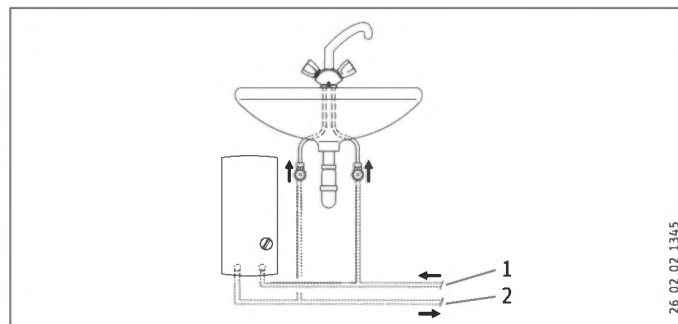
Daños materiales

La instalación del aparato solo debe realizarse en habitaciones resguardadas de la escarcha.

- Monte el aparato en posición vertical y cerca del punto de dispensado.

El aparato se puede montar sobre una mesa y bajo mesa.

Montaje bajo mesa



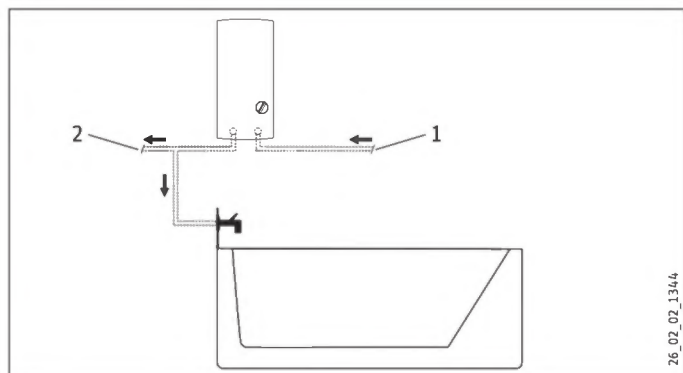
- 1 Alimentación del agua fría
- 2 Salida de agua caliente

26_02_02_1345

INSTALACIÓN

Montaje

Montaje sobre una mesa



- 1 Alimentación del agua fría
- 2 Salida de agua caliente

26_02_02_1344



Nota

- Monte el aparato en la pared. La pared debe tener una capacidad portante suficiente.

9.2 Instalación de agua

- No se requiere válvula de seguridad.
- ¡No está permitido instalar válvulas de seguridad en la tubería de agua caliente!
- Lave a fondo la tubería de agua.
- Asegúrese de que se alcance el caudal necesario (consulte el capítulo "Especificaciones técnicas / Tabla de especificaciones") para que se encienda el aparato. Si no se alcanza el caudal, retire el limitador de caudal (consulte el capítulo "Montaje / Retirada del limitador de caudal").
- Aumente la presión de la tubería de agua si no se alcanza el caudal necesario con la válvula de dispensado completamente abierta.

Grifería/valvulería

Utilice valvulería de presión adecuada. No se admite grifería/valvulería abierta.



Nota

No debe utilizar la válvula de cierre en la alimentación del agua fría para reducir el caudal. Sirve para bloquear el aparato.

Materiales admisibles para las tuberías de agua

- Tubería de suministro de agua fría: tubos de acero galvanizados en caliente, tubos de acero inoxidable, tubos de cobre o tubos de plástico
- Tubería de suministro de agua caliente: tubos de acero inoxidable, tubos de cobre o tubos de plástico



Daños materiales

Si utiliza sistemas de tuberías de plástico, tenga presente la temperatura de admisión máxima y la presión máxima admisible (consulte el capítulo "Especificaciones técnicas / Tabla de especificaciones").

Tuberías de conexión de agua flexibles

- En las instalaciones con tuberías flexibles de conexión de agua, evite que los tubos acodados con conexiones de bayoneta giren de forma indebida en el aparato.
- Fije la pared posterior inferior utilizando dos tornillos adicionales.

10. Montaje

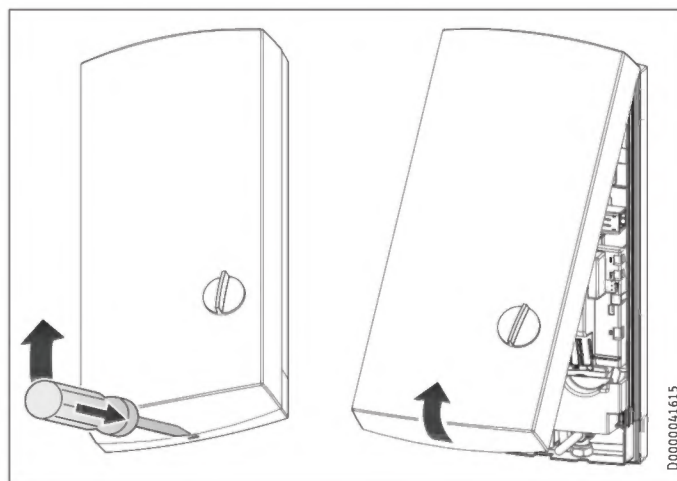
10.1 Montaje estándar

- Empalme eléctrico arriba, instalación oculta
- Conexión de agua, instalación oculta
- potencia conectada media preconfigurada

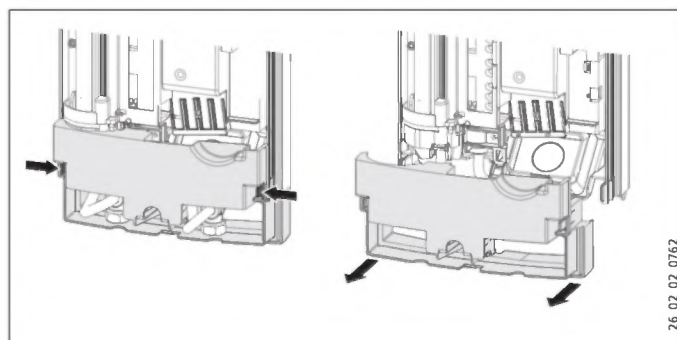
Otras opciones de montaje disponibles en el capítulo "Alternativas de montaje".

- Empalme eléctrico oculto abajo
- Empalme eléctrico visto
- Conexión de un controlador automático de máxima demanda
- Instalación de agua vista
- Conexión de agua oculta en un cambio de aparato
- Funcionamiento con agua precalentada
- Límite de temperatura

Apertura del aparato



- Abra el aparato desbloqueando el cierre de inserción.

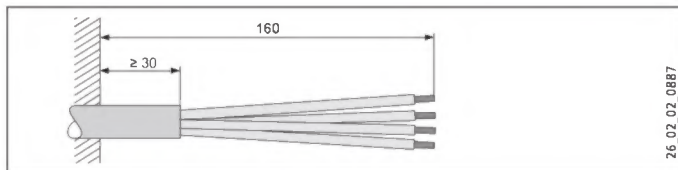


- Separe la pared posterior apretando los dos ganchos de enclavamiento y retirando la parte inferior de la pared posterior hacia adelante.

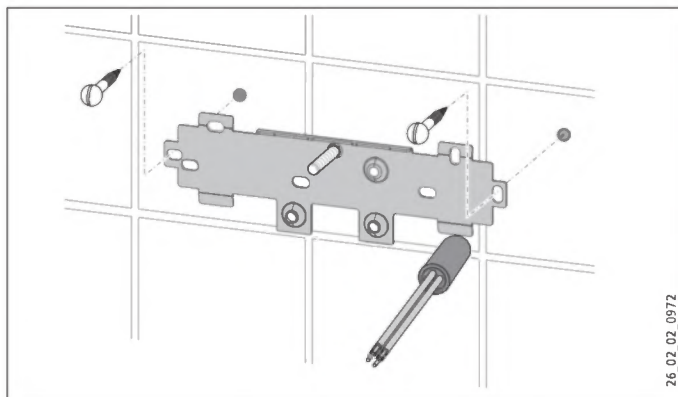
INSTALACIÓN

Montaje

Preparación del cable de conexión a la red eléctrica

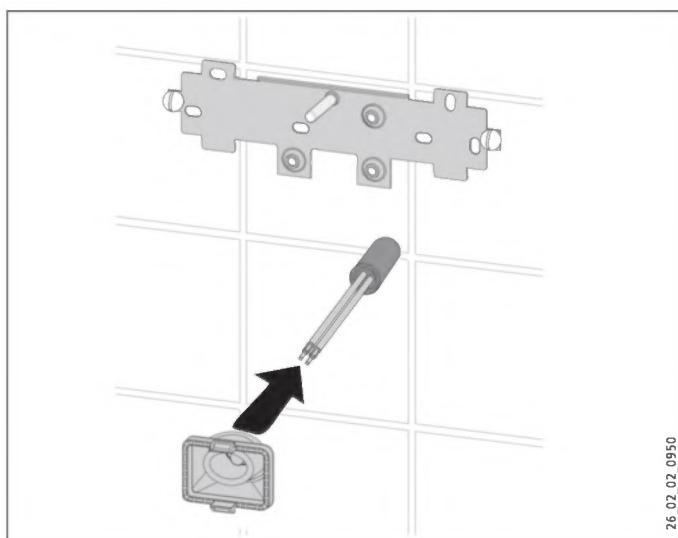


Montaje del enganche de pared



- ▶ Marque los orificios de taladrado con ayuda del patrón de montaje. En el montaje con conexiones de agua vistas, deberá marcar también los orificios de fijación en la parte inferior del patrón.
- ▶ Taladre los orificios y fije el enganche de pared utilizando 2 tornillos y 2 tacos (ni los tornillos ni los tacos vienen incluidos en el ámbito de suministro).
- ▶ Monte los pernos roscados adjuntos.
- ▶ Monte el enganche de pared.

Montaje del manguito del cable



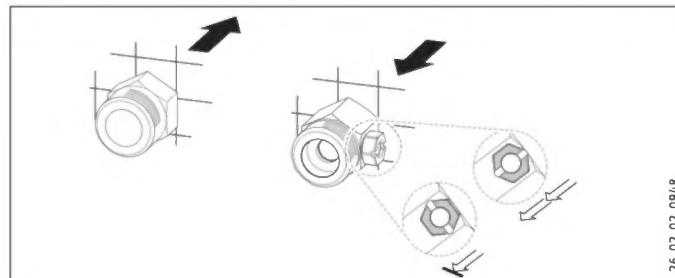
- ▶ Monte el manguito del cable. Si el cable de conexión es de $> 6 \text{ mm}^2$, aumente la perforación del manguito del cable.

Establecimiento de la conexión de agua



Daños materiales

Realice todos los trabajos de conexión e instalación hidráulicos conforme a la normativa vigente.



- ▶ Obture y enrosque los racores dobles.



Daños materiales

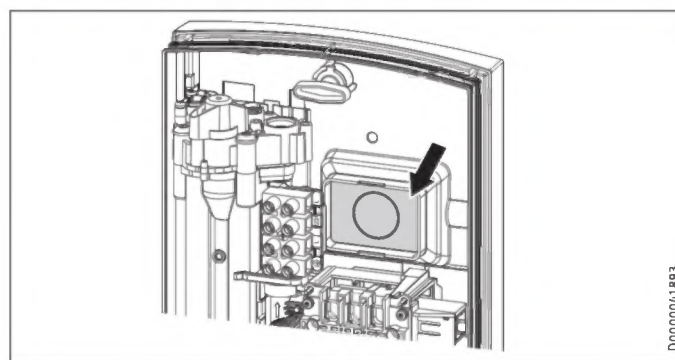
No debe utilizar la válvula de cierre en la alimentación del agua fría para reducir el caudal.

Preparación de la pared posterior



Daños materiales

Si por accidente rompe un agujero incorrecto en la pared posterior, tendrá que usar una pared posterior nueva.

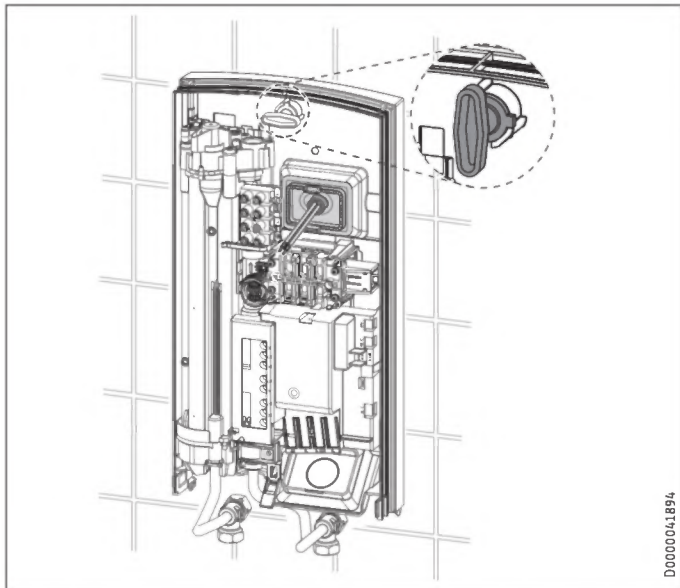


- ▶ Abra el punto predeterminado de rotura para el manguito del cable en la pared posterior. Si es necesario, elimine la rebaba de los cantos afilados con una lima.

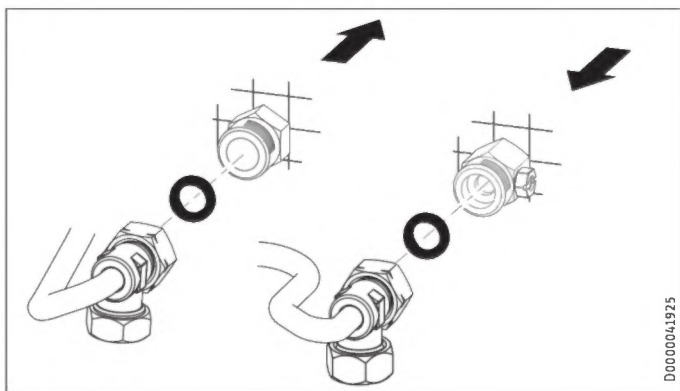
INSTALACIÓN

Montaje

Montaje del aparato



- ▶ Coloque la pared posterior sobre los pernos roscados y el manguito del cable. Tire del manguito del cable con ayuda de unas tenazas por los ganchos de enclavamiento hacia la pared posterior hasta que oiga los dos ganchos de enclavamiento enclavarse.
- ▶ Extraiga los toques de protección para el transporte de las conexiones de agua.
- ▶ Presione con firmeza la pared posterior y bloquee la palanca de fijación mediante un giro a la derecha de 90°.



- ▶ Enrosque los tubos de conexión de agua con las juntas planas en los racores dobles.



Daños materiales

Para asegurar el funcionamiento del aparato, el filtro deberá haberse montado.

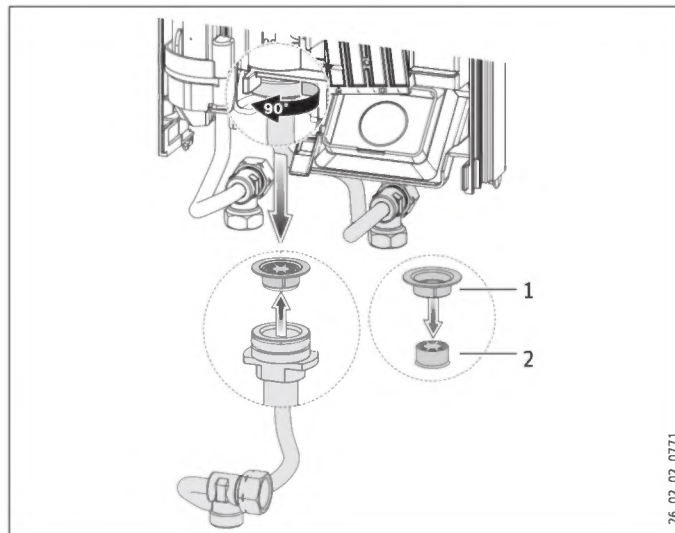
- ▶ Compruebe durante la sustitución del aparato si hay un filtro (consulte el capítulo "Mantenimiento").

Retirada del limitador de caudal



Daños materiales

Si usa una válvula de termostato, no se podrá retirar el limitador de caudal.



- 1 Arandela perfilada de plástico
- 2 Limitador de caudal

- ▶ Retire el limitador de caudal y vuelva a colocar la arandela perfilada de plástico.

Establecimiento del empalme eléctrico



ADVERTENCIA Electrocutación

Realice todos los trabajos de conexión e instalación eléctricos de conformidad con la normativa vigente.



ADVERTENCIA Electrocutación

La conexión a la red eléctrica solo está permitida si la conexión es fija, en combinación con el manguito del cable extraíble. El aparato debe poder desconectarse omnipolarmente de la red eléctrica mediante una separación de al menos 3 mm.



ADVERTENCIA Electrocutación

Asegúrese de que el aparato esté conectado al conductor de puesta a tierra.



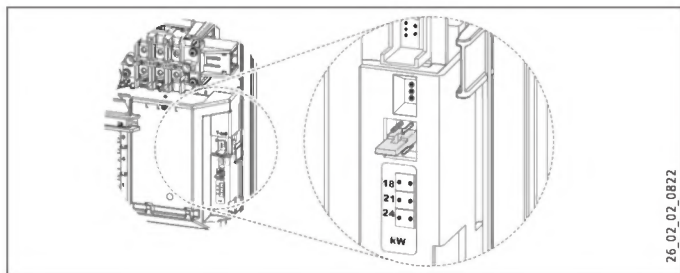
Daños materiales

Observe la placa de especificaciones técnicas. La tensión indicada debe coincidir con la tensión de red disponible.

- ▶ Conecte el cable de alimentación eléctrica al borne de conexión a la red eléctrica (consulte el capítulo "Especificaciones técnicas / Esquema de conexiones eléctricas").

Cambio de la tarjeta de codificación

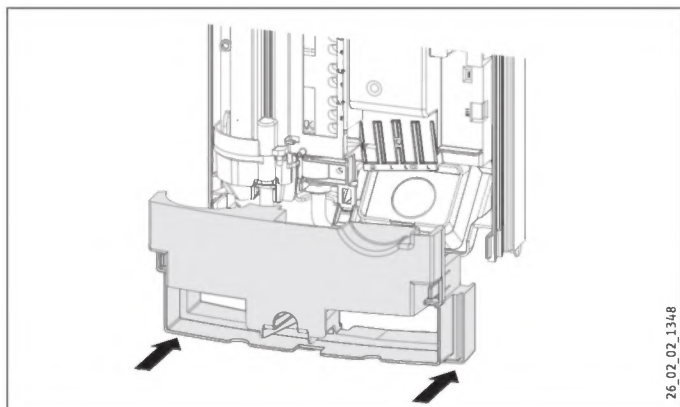
En el momento de la entrega, el aparato está conectado a 21 kW. En caso de conmutarlo a otra potencia conectada, deberá seguir los siguientes pasos:



26_02_02_0822

- ▶ Cambie la conexión de la tarjeta de codificación conforme a la potencia conectada seleccionada (la potencia conectada disponible y la protección del aparato figuran en el capítulo "Especificaciones técnicas / Tabla de especificaciones").
- ▶ Marque con una cruz la potencia conectada seleccionada en la placa de especificaciones técnicas. Use para ello un bolígrafo.

Montaje de la parte inferior de la pared posterior

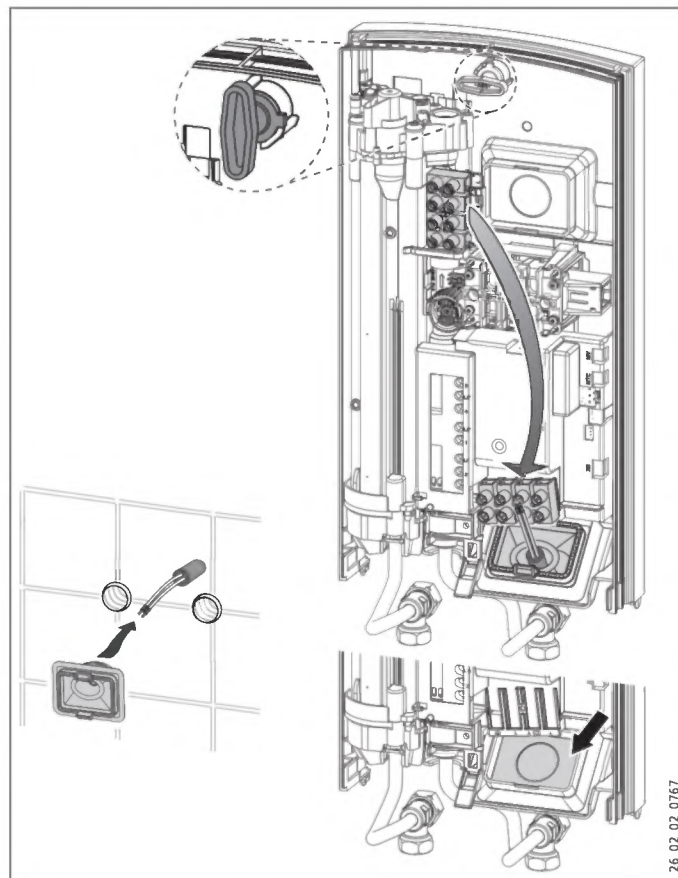


26_02_02_1348

- ▶ Monte la parte inferior de la pared posterior en la pared posterior y enclave la parte inferior de la pared posterior.
- ▶ Posicione el aparato montado soltando la palanca de fijación, posicionando el empalme eléctrico y la pared posterior, y volviendo a girar la palanca de fijación para fijar. Si la pared posterior del aparato no queda pegada a la pared, puede fijar el aparato por debajo mediante dos tornillos adicionales.

10.2 Alternativas de montaje

10.2.1 Empalme eléctrico oculto abajo



26_02_02_0767

- ▶ Monte el manguito del cable.



Daños materiales

Si por accidente rompe un agujero incorrecto en la pared posterior, tendrá que usar una pared posterior nueva.

- ▶ Abra el punto predeterminado de rotura para el manguito del cable en la pared posterior. Si es necesario, elimine la rebaba de los cantos afilados con una lima.
- ▶ Desplace el borne de conexión a la red eléctrica del aparato desde arriba hacia abajo.
- ▶ Coloque la pared posterior sobre los pernos roscados y el manguito del cable. Tire del manguito del cable con ayuda de unas tenazas por los ganchos de enclavamiento hacia la pared posterior hasta que oiga los dos ganchos de enclavamiento enclavarse.
- ▶ Presione con firmeza la pared posterior y bloquee la palanca de fijación mediante un giro a la derecha de 90°.

INSTALACIÓN

Montaje

10.2.2 Empalme eléctrico visto



Nota

El tipo de protección del aparato se modifica con este tipo de conexión.

- ▶ Modifique la placa de especificaciones técnicas. Tache la indicación IP 25 y marque con una cruz la casilla IP 24. Use para ello un bolígrafo.



Daños materiales

Si por accidente rompe un agujero incorrecto en la pared posterior, tendrá que usar una pared posterior nueva.

- ▶ Efectúe los orificios necesarios en la pared posterior del aparato recortándolos o rompiéndolos limpiamente (consulte las posiciones en el capítulo "Especificaciones técnicas / Medidas y conexiones"). Si es necesario, elimine la rebaba de los cantos afilados con una lima.
- ▶ Pase el cable de alimentación eléctrica a través del manguito del cable y conéctelo al borne de conexión a la red eléctrica.

10.2.3 Conexión de un controlador automático de máxima demanda

Instale un controlador automático de máxima demanda en combinación con otros equipos eléctricos como, por ejemplo, calefactores de acumulador eléctricos, en el circuito de distribución eléctrica. El control de máxima demanda se realiza durante el funcionamiento del calentador instantáneo.



Daños materiales

Conecte la fase que conmuta el controlador automático de máxima demanda al terminal señalizado del borne de conexión a la red eléctrica del aparato (consulte el capítulo "Especificaciones técnicas / Esquema de conexiones eléctricas").

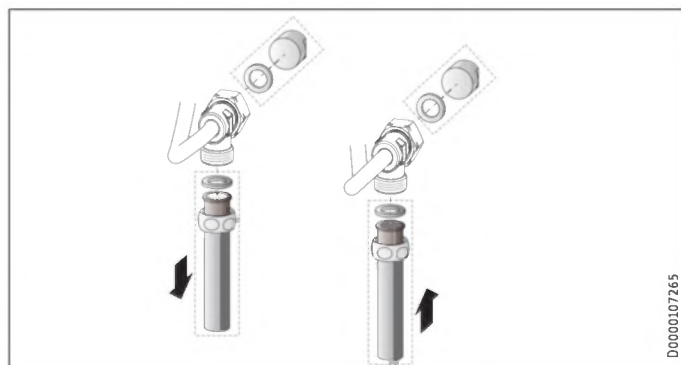
10.2.4 Instalación de agua vista



Nota

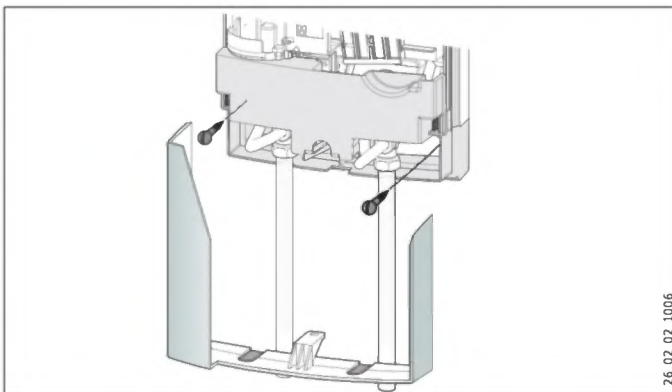
El tipo de protección del aparato se modifica con este tipo de conexión.

- ▶ Modifique la placa de especificaciones técnicas. Tache la indicación IP 25 y marque con una cruz la casilla IP 24. Use para ello un bolígrafo.



- ▶ Monte los tapones de agua con juntas para sellar la conexión oculta.

- ▶ Monte una valvulería de presión adecuada.



- ▶ Fije la pared posterior inferior utilizando dos tornillos adicionales.
- ▶ Inserte la parte inferior de la pared posterior bajo los tubos de conexión del grifo/válvula y encaje la parte inferior de la pared posterior.
- ▶ Enrosque los tubos de empalme al aparato.



Daños materiales

Si por accidente rompe un agujero incorrecto en la tapa del aparato, tendrá que usar una tapa de aparato nueva.

- ▶ Rompa limpiamente los pasos de la tapa del aparato. Si es necesario, elimine la rebaba de los cantos afilados con una lima.

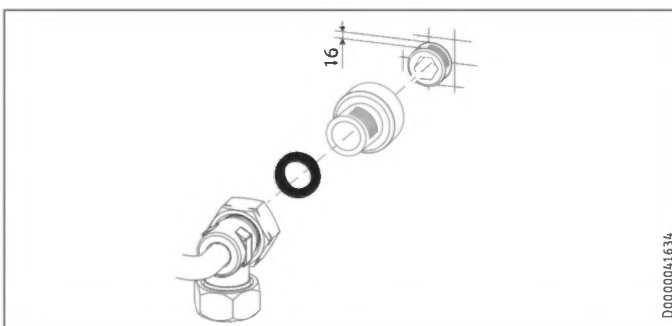
10.2.5 Instalación de agua oculta en un cambio de aparato

En caso de que el racor doble disponible del aparato antiguo solo sobresalga unos 16 mm de la pared, no podrá utilizar el racor doble incluido en el suministro.



Nota

En esta conexión, el bloqueo de la alimentación de agua fría solo es posible en la instalación doméstica.



- ▶ Obture y enrosque las prolongaciones de grifo adjuntas.
- ▶ Conecte el aparato.

10.2.6 Funcionamiento con agua precalentada

Instalando una válvula termostática central se limita la temperatura máxima de admisión.

10.2.7 Límite de temperatura

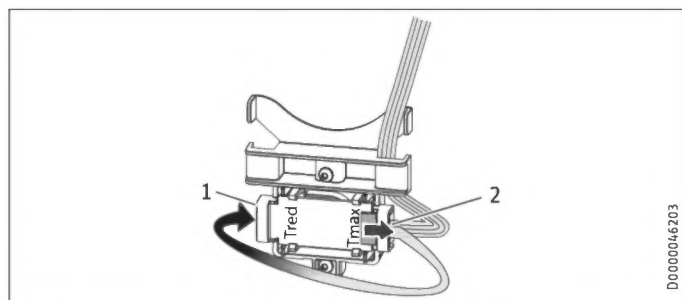


PRECAUCIÓN Quemaduras

Durante el funcionamiento con agua precalentada, el límite de temperatura ajustado puede ser ineficaz.

- En tal caso, limite la temperatura en la valvulería del termostato central conectada antes.

Puede configurar la limitación de temperatura en la tapa del aparato.



- 1 Posición "Tred" (55 °C): Límite de temperatura
- 2 Posición "Tmax": Sin limitación de temperatura (consulte en el capítulo "Especificaciones técnicas / Tabla de especificaciones" el rango de ajuste de temperatura).

10.3 Últimos pasos de montaje

- Abra la válvula de cierre en el racor doble o en el tubo de alimentación de agua fría.

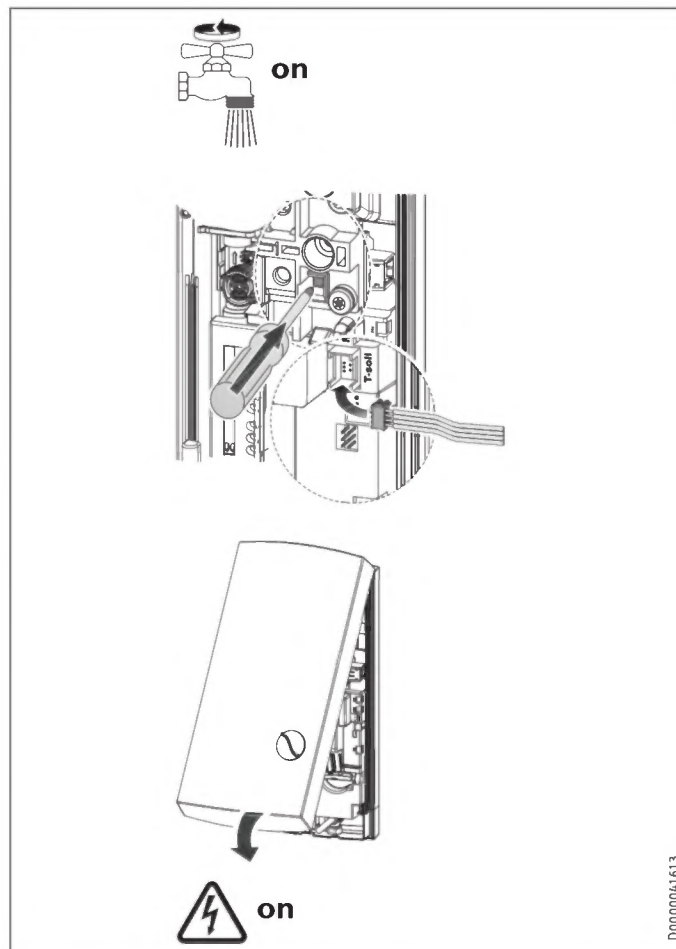
11. Puesta en marcha



ADVERTENCIA Electrocutación

La puesta en marcha solo debe ser realizada por un profesional técnico especializado, observando la normativa de seguridad.

11.1 Primera puesta en marcha



- Abra y cierre varias veces todas las válvulas de dispensado conectadas hasta que no quede aire en la red de tuberías y el aparato.
- Realice una inspección de estanqueidad.
- Active el limitador de presión de seguridad presionando con fuerza el botón de reset (el aparato viene con el limitador de presión de seguridad desactivado de fábrica).
- Inserte el conector del cable de configuración de la temperatura en la conexión electrónica.
- Monte la tapa del aparato hasta que se enclave de forma audible. Verifique el asiento de la tapa del aparato.
- Encienda la alimentación eléctrica.
- Compruebe el funcionamiento del aparato.

Entrega del aparato a terceras personas

- ▶ Explique al usuario el funcionamiento del aparato y haga que se familiarice con el uso del mismo.
- ▶ Indique al usuario los posibles peligros existentes, en particular en relación al peligro de escaldamiento.
- ▶ Entregue este manual.

11.2 Nueva puesta en marcha

Purgue el aire del aparato y del tubo de alimentación de agua fría (consulte el capítulo "Configuración").

Consulte el capítulo "Primera puesta en marcha".

12. Puesta fuera de servicio

- ▶ Desconecte el aparato omnipolarmente de la conexión a la red eléctrica.
- ▶ Drene el aparato (consulte el capítulo "Mantenimiento").

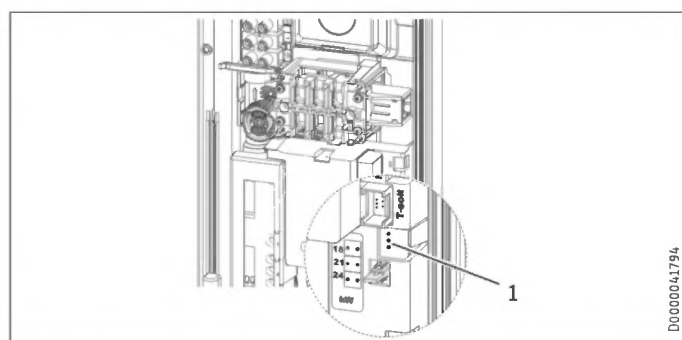
13. Localización y reparación de averías



ADVERTENCIA Electrocutación
Para poder comprobar el aparato, este deberá estar energizado.

Posibilidades de indicación del semáforo de diagnóstico (LED)

	rojo	se ilumina en caso de avería
	amarillo	se ilumina durante el funcionamiento en modo calefacción
	verde	parpadeo: el aparato está conectado a la red eléctrica



1 Indicador de diagnóstico

Avería / indicación del semáforo de diagnóstico LED	Causa	Solución
Caudal insuficiente.	El filtro del aparato está sucio.	Limpie el filtro.
No se alcanza la temperatura de referencia.	Falta una fase.	Revise el fusible de la caja de fusibles doméstica.
La calefacción no se enciende.	Se detecta aire en el agua y por ello se apaga brevemente la potencia de calefacción.	El aparato vuelve a ponerse en marcha después de transcurrir un minuto.
No sale agua caliente y no se indica nada en el semáforo.	El fusible se ha disparado.	Revise el fusible de la caja de fusibles doméstica.
	El limitador de presión de seguridad AP 3 se ha apagado.	Repare la causa de la avería (por ejemplo, en caso de dispositivo de lavado a presión defectuoso). Proteja el sistema de calefacción contra el sobrecalentamiento abriendo durante un minuto una válvula de dispensado conectada después del aparato. Así se despresurizará el sistema de calefacción y se enfriará. Active el limitador de presión de seguridad durante la presión de fuga pulsando el botón de reset (consulte el capítulo "Primera puesta en marcha").
	El sistema electrónico está defectuoso.	Examine el sistema electrónico y cámbielo si es necesario.
Indicación de semáforo: verde parpadeante o con luz fija	El sistema electrónico está defectuoso.	Examine el sistema electrónico y cámbielo si es necesario.
No sale agua caliente con un caudal > 3 l/min.	La medición de caudal DFE no está acoplada.	Vuelva a conectar el conector de medición de caudal.
	La medición de caudal DFE está defectuosa.	Compruebe la medición de caudal y cámbiela si es necesario.
Indicación de semáforo: Amarillo continuo, verde intermitente No sale agua caliente con un caudal > 3 l/min	El limitador de temperatura de seguridad se ha disparado o desconectado.	Compruebe el limitador de temperatura de seguridad y cámbielo si es necesario.
	El sistema de calefacción está defectuoso.	Mida la resistencia del sistema de calefacción y cambie la resistencia si es necesario.
	El sistema electrónico está defectuoso.	Examine el sistema electrónico y cámbielo si es necesario.
Indicación de semáforo: amarillo con luz fija, verde intermitente	El sensor de salida se ha retirado o hay una rotura de cable.	Inserte el sensor de salida y cámbielo si es necesario.
Indicación de semáforo: rojo con luz fija, verde intermitente	El sensor de agua fría está averiado.	Examine el sistema electrónico y cámbielo si es necesario.
No hay agua caliente La temperatura deseada > 45 °C no se ha alcanzado.	La temperatura de admisión del agua fría es superior a 45 °C.	Reduzca la temperatura de admisión del agua fría suministrada al aparato.
Indicación de semáforo: rojo con luz fija, verde intermitente	El sensor de salida está averiado (cortocircuito).	Examine el sensor de salida y cámbielo si es necesario.

14. Mantenimiento



ADVERTENCIA Electrocuación
Siempre que desee realizar cualquier tarea en el aparato, debe desconectarlo omnipolarmente de la conexión a la red eléctrica.

Vaciado del aparato

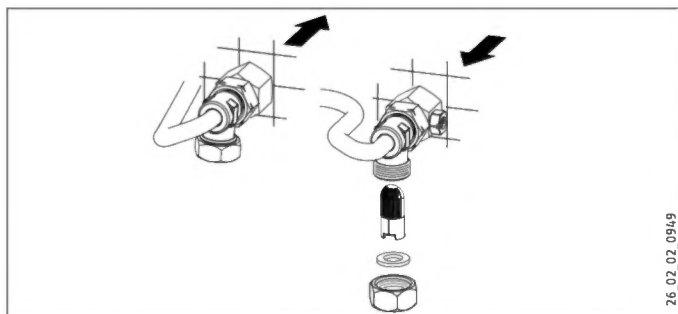
Puede drenar el aparato para los trabajos de mantenimiento.



ADVERTENCIA Quemaduras
Durante el drenaje del aparato puede salir agua caliente.

- ▶ Cierre la válvula de cierre en el racor doble o en el tubo de alimentación de agua fría.
- ▶ Abra todas las válvulas de dispensado.
- ▶ Desenrosque las conexiones de agua del aparato.
- ▶ Guarde el aparato desmontado resguardado de la escarcha, ya que hay agua residual en su interior que puede congelarse y causar daños en el aparato.

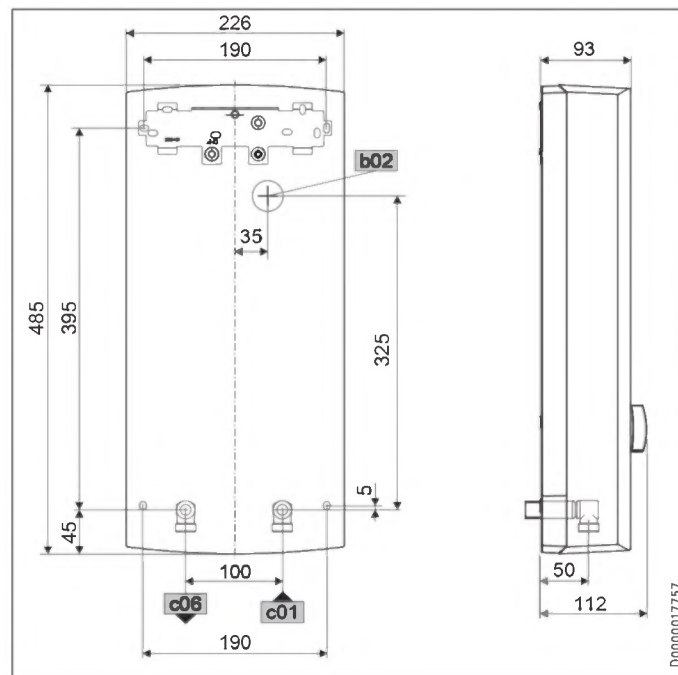
Limpieza del filtro



Limpie el filtro en la unión de tornillo del agua fría si está sucio. Cierre la válvula de cierre en el tubo de alimentación de agua fría antes de desmontar el filtro, de limpiarlo y de volverlo a montar.

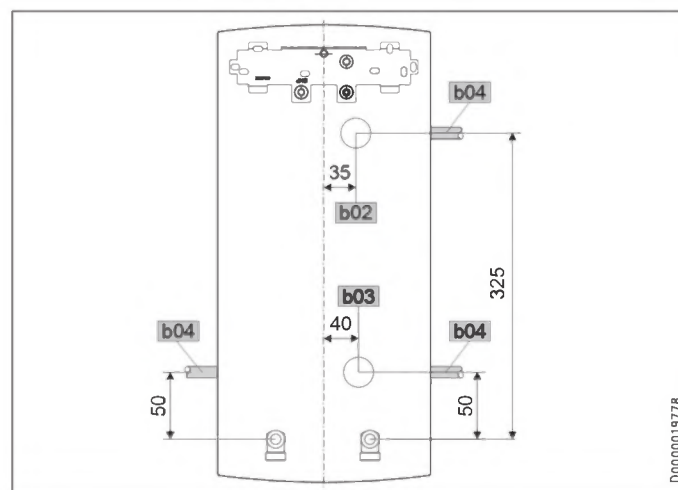
15. Especificaciones técnicas

15.1 Dimensiones y conexiones



b02	Tendido de cableado eléct. I		
c01	Alimentación del agua fría	Rosca exterior	G 1/2 A
c06	Salida de agua caliente	Rosca exterior	G 1/2 A

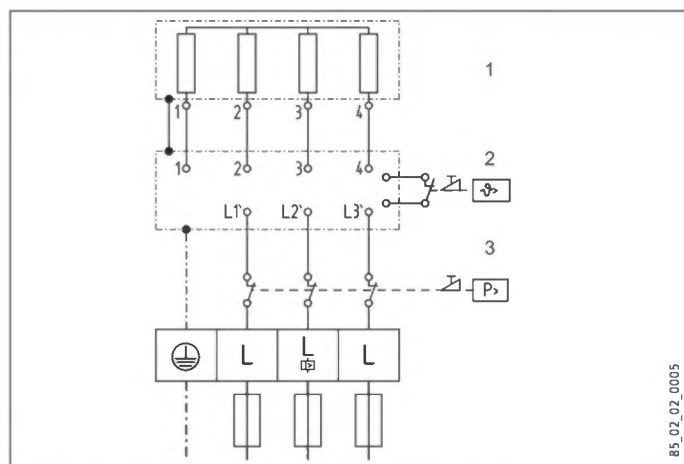
Posibilidades de conexión alternativas



b02	Tendido de cableado eléctrico I		
b03	Tendido de cableado eléctrico II		
b04	Tendido de cableado eléctrico III		

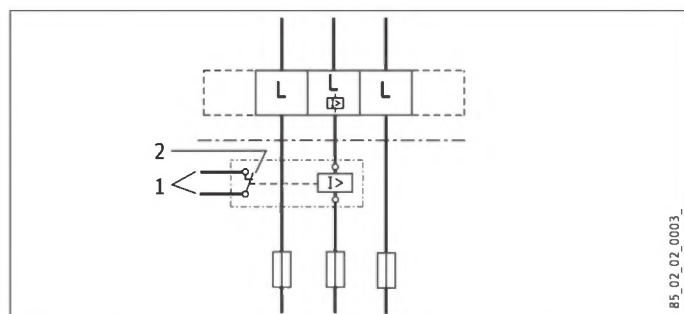
15.2 Esquema de conexiones eléctricas

3/PE ~ 380-415 V



- 1 Calefacción
- 2 Limitador de temperatura de seguridad
- 3 Limitador de presión de seguridad

Control de prioridad con LR 1-A



- 1 Cable de mando para el contactor de conmutación del segundo aparato (p. ej., aparato de calefacción de almacenamiento eléctrico).
- 2 El contacto de control se abre al encender el calentador instantáneo.

15.3 Rendimiento de agua caliente

El rendimiento de agua caliente depende de la tensión de red existente, la potencia conectada del aparato y la temperatura de admisión del agua fría. Podrá encontrar la tensión de alimentación y la potencia nominal en la placa de especificaciones técnicas (véase el capítulo "Resolución de problemas").

Potencia conectada en kW		38 °C de rendimiento de agua caliente en L/min					
Tensión de alimentación			Temperatura de suministro del agua fría				
380 V	400 V	415 V	5 °C	10 °C	15 °C	20 °C	
16,2			7,0	8,3	10,1	12,9	
19			8,2	9,7	11,8	15,1	
21,7			9,4	11,1	13,5	17,2	
	18		7,8	9,2	11,2	14,3	
	21		9,1	10,7	13,0	16,7	
	24		10,4	12,2	14,9	19,0	
		19,4	8,4	9,9	12,0	15,4	
		22,6	9,8	11,5	14,0	17,9	
		25,8	11,2	13,2	16,0	20,5	

Potencia conectada en kW			50 °C de rendimiento de agua caliente en L/min			
Tensión de alimentación			Temperatura de suministro del agua fría			
380 V	400 V	415 V	5 °C	10 °C	15 °C	20 °C
16,2			5,1	5,8	6,6	7,7
19			6,0	6,8	7,8	9,0
21,7			6,9	7,8	8,9	10,3
	18		5,7	6,4	7,3	8,6
	21		6,7	7,5	8,6	10,0
	24		7,6	8,6	9,8	11,4
		19,4	6,2	6,9	7,9	9,2
		22,6	7,2	8,1	9,2	10,8
		25,8	8,2	9,2	10,5	12,3

15.4 Ámbitos de aplicación / Tabla de conversión

Resistencia eléctrica específica y conductividad eléctrica específica (consulte el capítulo "Tabla de especificaciones").

Indicación estándar a 15 °C			20 °C			25 °C		
Resistencia $\rho \geq$	Conductividad $\sigma \leq$		Resistencia $\rho \geq$	Conductividad $\sigma \leq$		Resistencia $\rho \geq$	Conductividad $\sigma \leq$	
$\Omega \text{ cm}$	mS/m	$\mu\text{S/cm}$	$\Omega \text{ cm}$	mS/m	$\mu\text{S/cm}$	$\Omega \text{ cm}$	mS/m	$\mu\text{S/cm}$
900	111	1111	800	125	1250	735	136	1361
1000	100	1000	890	112	1124	815	123	1227
1200	83	833	1070	93	935	985	102	1015
1300	77	769	1175	85	851	1072	93	933

15.5 Pérdida de presión

Grifería/valvulería

Pérdida de presión de la grifería/valvulería a un caudal de 10 L/min		
Mezclador monomaneal, aprox.	MPa	0,04 - 0,08
Valvulería del termostato, aprox.	MPa	0,03 - 0,05
Cabezal de ducha manual, aprox.	MPa	0,03 - 0,15

Dimensionado de la red de tuberías

Para calcular el dimensionado de la red de tuberías se recomienda una pérdida de presión de 0,1 MPa para el aparato.

15.6 Condiciones en caso de avería

En caso de avería pueden producirse en la instalación cargas breves de 95 °C como máximo a una presión de 1,2 MPa.

15.7 Datos sobre el consumo energético

Hoja de datos del producto: calentador convencional según reglamento (UE) n.º 812/2013 | 814/2013

		PEY 18/21/24
		233993
Fabricante		STIEBEL ELTRON
Perfil de carga		S
Clase de eficiencia energética		A
Rendimiento energético	%	39
Consumo anual de corriente	kWh	477
Ajuste de temperatura de fábrica	°C	60
Nivel de potencia acústica	dB(A)	15
Notas especiales para medir la eficiencia		Datos en Pmax.
Consumo diario de corriente	kWh	2,198

15.8 Tabla de especificaciones

		PEY 18/21/24 233993		
Especificaciones eléctricas				
Tensión de alimentación	V	380	400	415
Potencia nominal	kW	16,2/19/21,7	18/21/24	19,4/22,6/25,8
Corriente nominal	A	27,6/29,5/33,3	29/31/35	30,1/32,2/36,3
Fusible	A	32/32/35	32/32/35	32/32/40
Frecuencia	Hz	50/60	50/60	50/-
Fases				3/PE
Resistencia específica $\rho_{15} \geq$ (a $\vartheta_{frío} \leq 25$ °C)	Ω cm	900	900	1000
Conductividad específica $\sigma_{15} \leq$ (a $\vartheta_{frío} \leq 25$ °C)	μ S/cm	1111	1111	1000
Resistencia específica $\rho_{15} \geq$ (a $\vartheta_{frío} \leq 45$ °C)	Ω cm	1200	1200	1300
Conductividad específica $\sigma_{15} \leq$ (a $\vartheta_{frío} \leq 45$ °C)	μ S/cm	833	833	770
Impedancia máx. de red a 50 Hz	Ω	0,284	0,270	0,260
Ejecuciones				
Sistema de calefacción con generador de calor				Alambre desnudo
Bloque de aislamiento				Plástico
Potencia conectada seleccionable				X
Ajuste de temperatura	°C			aprox. 30-60
Tapa y pared posterior				Plástico
Tipo de protección (IP)				IP25
Color				Blanco
Conexiones				
Conexión de agua				G 1/2 A
Límites de utilización				
Presión máx. admisible	MPa			1
Temperatura de admisión máx. para postcalentamiento	°C			45
Valores				
Temperatura de admisión máx. admisible	°C			60
ON	l/min			>3
Caudal para pérdida de presión	l/min			5,2/6,0/6,9
Pérdida de presión en caudal	MPa			0,08/0,10/0,13 (0,06/0,08/0,10 sin DMB)
Límite de caudal en	l/min			8,0
Representación del ACS	l/min			9,4/11,0/12,6
$\Delta\vartheta$ en representación	K			26
Especificaciones hidráulicas				
Contenido nominal	l			0,4
Dimensiones				
Altura	mm			485
Anchura	mm			226
Profundidad	mm			93
Pesos				
Peso	kg			3,6



Nota

El aparato cumple la norma IEC 61000-3-12.

Garantía

Para los aparatos adquiridos fuera de Alemania no son aplicables las condiciones de garantía de nuestras sociedades alemanas. Además, en los países en los que alguna de nuestras filiales comercialice nuestros productos, la garantía sólo será otorgada por dicha filial. Este tipo de garantía únicamente se otorgará si la filial hubiera publicado unas condiciones de garantía propias. No se otorgará ninguna garantía adicional.

No otorgamos ninguna garantía para aquellos aparatos adquiridos en países en los que ninguna de nuestras filiales comercialicen nuestros productos. Cualquier garantía asegurada por el importador permanecerá inalterada.

Medio ambiente y reciclado

Colabore para proteger nuestro medio ambiente. Elimine los materiales después de su uso conforme a la normativa nacional vigente.

WSKAZÓWKI SPECJALNE

OBSŁUGA

1.	Wskazówki ogólne	33
1.1	Wskazówki dotyczące bezpieczeństwa	33
1.2	Inne oznaczenia stosowane w niniejszej dokumentacji	34
1.3	Jednostki miar	34
2.	Bezpieczeństwo	34
2.1	Użytkowanie zgodne z przeznaczeniem	34
2.2	Ogólne wskazówki dotyczące bezpieczeństwa	34
2.3	Znak kontroli	34
3.	Opis urządzenia	34
4.	Nastawy	35
4.1	Zalecane nastawy	35
5.	Czyszczenie i konserwacja	35
6.	Usuwanie problemów	35

INSTALACJA

7.	Bezpieczeństwo	36
7.1	Ogólne wskazówki dotyczące bezpieczeństwa	36
7.2	Tryb prysznicowy	36
7.3	Przepisy, normy i wymogi	36
8.	Opis urządzenia	36
8.1	Zakres dostawy	36
9.	Przygotowania	36
9.1	Miejsce montażu	36
9.2	Instalacja wodna	37
10.	Montaż	37
10.1	Montaż standardowy	37
10.2	Inne sposoby montażu	40
10.3	Zakończenie montażu	42
11.	Uruchomienie	42
11.1	Pierwsze uruchomienie	42
11.2	Ponowne uruchomienie	43
12.	Wyłączenie z eksploatacji	43
13.	Usuwanie usterek	43
14.	Konserwacja	44
15.	Dane techniczne	44
15.1	Wymiary i przyłącza	44
15.2	Schemat połączeń elektrycznych	45
15.3	Wydajność CWU	45
15.4	Zakres pracy / tabela przeliczeniowa	45
15.5	Straty ciśnienia	45
15.6	Warunki awaryjne	45
15.7	Dane dotyczące zużycia energii	45
15.8	Tabela danych	46

GWARANCJA

OCHRONA ŚRODOWISKA I RECYCLING

WSKAZÓWKI SPECJALNE

- Dzieci w wieku powyżej 3 lat, osoby o obniżonej sprawności ruchowej, sensorycznej lub umysłowej, lub też osoby bez doświadczenia i odpowiedniej wiedzy mogą obsługiwać urządzenie pod nadzorem lub samodzielnie o ile zostały poinstruowane o zasadach bezpiecznego użytkowania urządzenia i rozumieją ewentualne zagrożenia. Urządzenie nie może być używane przez dzieci do zabawy. Czyszczenia oraz konserwacji ze strony użytkownika nie wolno powierzać dzieciom bez nadzoru.
- Temperatura armatury może osiągnąć do 60 °C. W przypadku temperatur wyższych niż 43 °C istnieje niebezpieczeństwo poparzenia.
- Urządzenie nadaje się do zasilania prysznicą (tryb prysznicowy). Jeśli urządzenie będzie również lub wyłącznie wykorzystywane w trybie prysznicowym, wyspecjalizowany instalator musi za pomocą ogranicznika temperatury nastawić zakres temperatury w urządzeniu na (Tred = 55 °C) lub mniej. W przypadku korzystania z wody wstępnie podgrzanej temperatura na wlocie nie może przekraczać 55 °C.
- Urządzenie musi mieć możliwość odłączania od sieci elektrycznej za pomocą wielobiegunowego wyłącznika z rozwarciem styków wynoszącym min. 3 mm.
- Podane napięcie musi być zgodne z napięciem sieciowym.
- Urządzenie musi być podłączone do przewodu ochronnego.
- Urządzenie musi być trwale podłączone do stałego okablowania.
- Zamocować urządzenie w sposób opisany w rozdziale „Instalacja / Montaż”.

- Nie wolno przekraczać maksymalnego dopuszczalnego ciśnienia (patrz rozdział „Instalacja / Dane techniczne / Tabela danych”).
- Oporność właściwa wody z sieci wodociągowej nie może być niższa niż podana w tabeli (patrz rozdział „Instalacja / Dane techniczne / Tabela danych”).
- Urządzenie opróżniać w sposób opisany w rozdziale „Instalacja / Konserwacja / Opróżnianie urządzenia”.

OBSŁUGA

1. Wskazówki ogólne

Rozdziały „Wskazówki specjalne” i „Obsługa” są przeznaczone dla użytkowników urządzenia i wyspecjalizowanych instalatorów.

Rozdział „Instalacja” przeznaczony jest dla wyspecjalizowanego instalatora.



Wskazówka

Przed przystąpieniem do użytkowania należy dokładnie zapoznać się z niniejszą instrukcją i zachować ją do późniejszego wykorzystania.

W przypadku przekazania produktu innemu użytkownikowi niniejszą instrukcję należy również dołączyć.

1.1 Wskazówki dotyczące bezpieczeństwa

1.1.1 Struktura wskazówek dotyczących bezpieczeństwa



HASŁO OSTRZEGAWCZE – rodzaj zagrożenia

W tym miejscu określone są potencjalne skutki nieprzestrzegania wskazówki dotyczącej bezpieczeństwa.

► W tym miejscu są określone środki zapobiegające zagrożeniu.

1.1.2 Symbole i rodzaje zagrożenia

Symbol	Rodzaj zagrożenia
	Obrażenia ciała
	Porażenie prądem elektrycznym
	Poparzenie (Poparzenie)

1.1.3 Hasła ostrzegawcze

HASŁO OSTRZEGAWCZE	Znaczenie
ZAGROŻENIE	Wskazówki, których nieprzestrzeganie prowadzi do ciężkich obrażeń ciała lub śmierci.
OSTRZEŻENIE	Wskazówki, których nieprzestrzeganie może prowadzić do ciężkich obrażeń ciała lub śmierci.
OSTROŻNIE	Wskazówki, których nieprzestrzeganie może prowadzić do średnich lub lekkich obrażeń ciała.

1.2 Inne oznaczenia stosowane w niniejszej dokumentacji



Wskazówka

Wskazówki ogólne są oznaczone symbolem umieszczonym obok.

► Należy dokładnie zapoznać się z treścią wskazówek.

Symbol	Znaczenie
	Szkody materialne (uszkodzenia urządzenia, szkody wtórne, szkody dla środowiska naturalnego)
	Utylizacja urządzenia

► Ten symbol informuje o konieczności wykonania jakiejś czynności. Wymagane czynności opisane są krok po kroku.

1.3 Jednostki miar



Wskazówka

Jeśli nie określono innych jednostek, wszystkie wymiary podane są w milimetrach.

2. Bezpieczeństwo

2.1 Użytkowanie zgodne z przeznaczeniem

Urządzenie ciśnieniowe jest przeznaczone do nagrzewania wody użytkowej lub wstępnie podgrzanej. Urządzenie może służyć do zasilania co najmniej jednego punktu poboru wody.

Urządzenie przeznaczone jest do użytku w budownictwie mieszkaniowym. Może być bezpiecznie użytkowane przez nieprzeszkolone osoby. Urządzenie może być użytkowane również poza budownictwem mieszkaniowym, np. w budynkach gospodarczych i przemysłowych, pod warunkiem użytkowania zgodnego z przeznaczeniem.

Inne lub wykraczające poza obowiązujące ustalenia użytkowanie traktowane jest jako niezgodne z przeznaczeniem. Do użytkowania zgodnego z przeznaczeniem należy również przestrzeganie niniejszej instrukcji obsługi oraz instrukcji obsługi użytego osprzętu.

2.2 Ogólne wskazówki dotyczące bezpieczeństwa



OSTROŻNIE - poparzenie

Temperatura armatury może osiągnąć do 60 °C. W przypadku temperatur wyższych niż 43 °C istnieje niebezpieczeństwo poparzenia.



OSTROŻNIE - poparzenie

Temperatura ciepłej wody przy zasilaniu wodą wstępnie podgrzaną, np. przez instalację solarną, może różnić się od nastawionej temperatury zadanej.



OSTRZEŻENIE - obrażenia ciała

Urządzenie może być obsługiwane przez dzieci, które ukończyły 3 lat oraz przez osoby o zmniejszonych zdolnościach fizycznych, sensorycznych lub umysłowych lub osoby nieposiadające odpowiedniego doświadczenia względnie wiedzy, jeżeli są one pod nadzorem lub zostały przeszkolone w zakresie bezpiecznej obsługi urządzenia oraz zrozumiały wynikające stąd niebezpieczeństwa. Urządzenie nie może być używane przez dzieci do zabawy. Czyszczenia oraz konserwacji ze strony użytkownika nie wolno powierzać dzieciom bez nadzoru.

Jeżeli urządzenie będzie obsługiwane przez dzieci lub osoby z ograniczonymi zdolnościami ruchowymi, sensorycznymi lub umysłowymi zaleca się zastosowanie funkcji stałego ograniczenia temperatury. Ograniczenie może nastawić specjalista.



Szkody materialne

Obowiązkiem użytkownika jest zabezpieczenie urządzenia i armatury przed zamrożeniem.

2.3 Znak kontroli

Patrz tabliczka znamionowa na urządzeniu.

3. Opis urządzenia

Elektronicznie regulowany przepływowy ogrzewacz wody z automatycznym dopasowaniem mocy utrzymuje stałą temperaturę wody na wylocie, aż do granicy wydajności. Następnie temperatura jest dobierana poprzez armaturę do pobierania.

Temperatura ciepłej wody użytkowej

Temperaturę ciepłej wody na wylocie można płynnie regulować.

Wewnętrzny ogranicznik temperatury (wyspecjalizowany instalator)

Na życzenie wyspecjalizowany instalator może ustawić trwałe ograniczenie temperatury.

W przypadku gdy zasilany jest prysznic, wyspecjalizowany instalator musi aktywować ogranicznik temperatury.

System grzejny

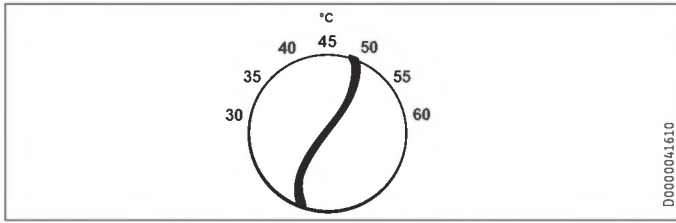
System grzejny z odkrytą grzałką wyposażony jest w płaszcz z tworzywa sztucznego odporny na ciśnienie. W systemie grzejnym można podgrzewać wodę o niskiej i wysokiej zawartości wapnia, ponieważ jest on w dużym stopniu odporny na zwapnienie. System grzejny zapewnia szybkie i wydajne przygotowanie ciepłej wody.



Wskazówka

Urządzenie jest wyposażone w funkcję wykrywania pęcherzyków powietrza, która w znacznym stopniu zapobiega uszkodzeniom systemu grzejnego. Jeżeli podczas pracy do urządzenia dostanie się powietrze, urządzenie wyłącza moc grzejącą na jedną minutę, chroniąc tym samym system grzejny.

4. Nastawy



- ▶ Obrócić pokrętkę regulacji temperatury do żądanej pozycji.

Jeżeli przy całkowicie otwartej armaturze i maksymalnej nastawie temperatury, na wyjściu nie jest osiągnięta wymagana temperatura, oznacza to, że przez urządzenie przepływa większa ilość wody niż może zostać podgrzana przez grzałkę.

- ▶ Zredukować natężenie przepływu za pomocą armatury.

4.1 Zalecane nastawy

Ogrzewacz przepływowy zapewnia maks. dokładność i maks. komfort przygotowania ciepłej wody. Jeśli urządzenie mimo to będzie eksploatowane z armaturą termostatyczną, nasze zalecenia są następujące:

- ▶ Nastawić maksymalną temperaturę na urządzeniu. Żądaną temperaturę zadaną należy następnie nastawić na armaturze termostatycznej.

Oszczędność energii

Najmniejsza ilość energii zużywana jest przy następujących, zalecanych nastawach:

- 38 °C dla umywalki, natrysku, wanny,
- 55 °C dla zlewozmywaka.

Zalecana nastawa przy eksploatacji z armaturą termostatyczną i wodą wstępnie podgrzaną przez instalację solarną

- ▶ Nastawić maksymalną temperaturę na urządzeniu.

Po przerwie w zaopatrzeniu w wodę



Szkody materialne

Aby nie uszkodzić systemu grzejnego z odkrytą grzałką, po przerwie w dopływie wody należy ponownie uruchomić urządzenie, wykonując poniższe czynności.

- ▶ Odłączyć urządzenie od źródła zasilania, wyłączając bezpieczniki.
- ▶ Otworzyć armaturę i odczekać około minuty, aż urządzenie i rurka doprowadzająca zimną wodę do urządzenia zostaną odpowietrzone.
- ▶ Włączyć ponownie napięcie sieciowe.

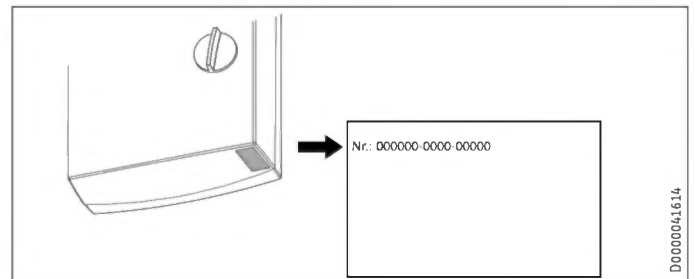
5. Czyszczenie i konserwacja

- ▶ Nie wolno używać szorujących, ani rozpuszczających środków czyszczących. Do konserwacji i czyszczenia urządzenia wystarczy wilgotna ściereczka.
- ▶ Należy regularnie sprawdzać stan armatur. Osad z wylotu armatur należy usuwać przy użyciu dostępnych w handlu środków do odkamieniania.

6. Usuwanie problemów

Problem	Przyczyna	Usuwanie
Urządzenie nie włącza się, mimo całkowicie otwartej armatury.	Brak napięcia.	Sprawdzić bezpieczniki w instalacji domowej.
	Przepływ jest zbyt mały. Regulator strumienia w armaturze lub głowica natryskowa jest pokryta kamieniem lub zanieczyszczona.	Oczyścić i/lub usunąć kamień z regulatora strumienia lub głowicy natryskowej.
Żądana temperatura > 45 °C nie jest osiągnięta.	Przerwa w zaopatrzeniu w wodę.	Odpowietrzyć urządzenie i przewód doprowadzający wodę zimnej (patrz rozdział „Nastawy”).
	Temperatura zimnej wody na wejściu > 45 °C.	Zmniejszyć temperaturę zasilania zimnej wody.

Jeśli nie można usunąć przyczyny usterki, należy wezwać wyspecjalizowanego instalatora. W celu usprawnienia i przyspieszenia pomocy należy podać numer urządzenia z tabliczki znamionowej (000000-0000-00000).



INSTALACJA

7. Bezpieczeństwo

Instalacja, uruchomienie, jak również konserwacja i naprawa urządzenia mogą być wykonane wyłącznie przez wyspecjalizowanego instalatora.

7.1 Ogólne wskazówki dotyczące bezpieczeństwa

Producent zapewnia prawidłowe działanie i bezpieczeństwo eksploatacji tylko w przypadku stosowania oryginalnego osprzętu, przeznaczonego do tego urządzenia, oraz oryginalnych części zamiennych.



Szkody materialne

Nie wolno przekraczać maksymalnej temperatury na zasilaniu urządzenia. Przy wyższych temperaturach może nastąpić uszkodzenie urządzenia. Poprzez montaż centralnej armatury termostatycznej można ograniczyć maksymalną temperaturę wody na zasilaniu urządzenia.



OSTRZEŻENIE - porażenie prądem elektrycznym
Urządzenie zawiera kondensatory, które rozładowują się po odłączeniu od sieci elektrycznej. Napięcie rozładowania kondensatora może wynosić chwilowo > 60 V DC.

7.2 Tryb prysznicowy



OSTROŻNIE - poparzenie

▶ Przy zasilaniu prysznicza ustawić wewnętrzny ogranicznik temperatury na „Tred”, patrz rozdział „Inne sposoby montażu / ogranicznik temperatury”.



OSTROŻNIE - poparzenie

W przypadku zasilania urządzenia wodą wstępnie podgrzaną przestrzegać następującej zasady:
Może nastąpić przekroczenie maksymalnej temperatury możliwej do ustawienia na ograniczniku.

▶ Ograniczyć temperaturę za pomocą centralnej armatury termostatycznej podłączonej przed urządzeniem.

7.3 Przepisy, normy i wymogi



Wskazówka

Należy przestrzegać krajowych i lokalnych przepisów oraz wymogów.

- Stopień ochrony IP 25 (ochrona strugoszczelna) jest zapewniony tylko przy prawidłowo zamontowanej osłonie przewodu.

- Właściwa oporność elektryczna wody nie może być mniejsza niż podana na tabliczce znamionowej. W przypadku sieci wodociągowej należy uwzględnić najniższą oporność elektryczną wody (patrz rozdział „Dane techniczne / Zakres pracy / Tabela przeliczeniowa”). Informacje o właściwej oporności elektrycznej lub elektrycznej przewodności wody można uzyskać w miejscowym zakładzie wodociągów.

8. Opis urządzenia

8.1 Zakres dostawy

Z urządzeniem dostarczane są:

- Uchwyt ścienny
- Sworzeń gwintowany do zawieszenia na ścianie
- Szablon montażowy
- 2 złączki podwójne (woda zimna z zaworem odcinającym)
- Uszczelki płaskie
- Osłona przewodu (do górnego/dolnego elektrycznego przewodu zasilającego)
- Śruby/kołki do mocowania ściany tylnej w przypadku natynkowego podłączenia wody

Do wymiany urządzenia:

- 2 przedłużenia z zaworami

9. Przygotowania

9.1 Miejsce montażu



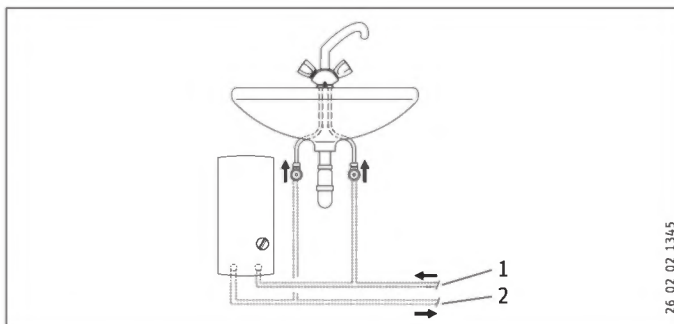
Szkody materialne

Urządzenie należy zainstalować w pomieszczeniu, w którym nie istnieje ryzyko zamarznięcia.

- ▶ Urządzenie należy zamontować pionowo, w pobliżu punktu poboru wody.

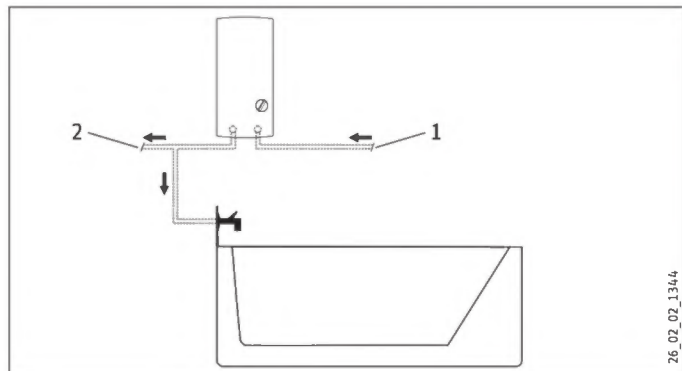
Urządzenie jest dostosowane do instalacji poniżej lub powyżej punktu poboru wody.

Montaż poniżej punktu poboru wody



- 1 Zimna woda, zasilanie
- 2 Ciepła woda, wyjście

Montaż powyżej punktu poboru wody



- 1 Zimna woda, zasilanie
- 2 Ciepła woda, wyjście



Wskazówka

- ▶ Zamontować urządzenie na ścianie. Ściana musi posiadać odpowiednią nośność.

9.2 Instalacja wodna

- Zawór bezpieczeństwa nie jest wymagany.
- W przewodzie ciepłej wody stosowanie zaworów bezpieczeństwa jest niedopuszczalne.
- ▶ Przepłukać dokładnie instalację wodną.
- ▶ Upewnić się, że osiągnięty został strumień przepływu (patrz rozdział „Dane techniczne / Tabela danych”, Zał.) niezbędny do załączenia się urządzenia. Jeżeli nie jest osiągany wymagany przepływ, należy zdemontować ogranicznik natężenia przepływu (patrz rozdział „Montaż / demontaż ogranicznika natężenia przepływu”).
- ▶ Zwiększyć ciśnienie w instalacji wodnej, jeśli nie można uzyskać wymaganego strumienia przepływu przy całkowicie otwartym zaworze poboru.

Armatury

Należy stosować odpowiednie armatury ciśnieniowe. Nie wolno stosować armatur bezciśnieniowych.



Wskazówka

- ▶ Nie używać zaworu odcinającego na zasilaniu zimnej do urządzenia do tłumienia przepływu. Zadaniem tego zaworu jest odcinanie urządzenia.

Dopuszczalne materiały rur wodociągowych

- Przewód dopływu zimnej wody: rurka stalowa ocynkowana ogniowo, rurka ze stali nierdzewnej, rurka miedziana lub rurka z tworzywa sztucznego
- Rurka wyjścia ciepłej wody: Rurka ze stali nierdzewnej, rurka miedziana lub rurka z tworzywa sztucznego



Szkody materialne

- ▶ Przy stosowaniu rur z tworzywa sztucznego należy przestrzegać maksymalnej temperatury zasilania i maksymalnego dopuszczalnego ciśnienia (patrz rozdział „Dane techniczne / Tabela danych”).

Elastyczne przewody przyłączeniowe wody

- ▶ Nie dopuszczać do przekręcania kolanek rurowych przy instalacji w urządzeniu z elastycznymi przewodami przyłączeniowymi wody łączonymi zatraskowo.
- ▶ Przymocować tylną ściankę na dole przy użyciu dodatkowych śrub.

10. Montaż

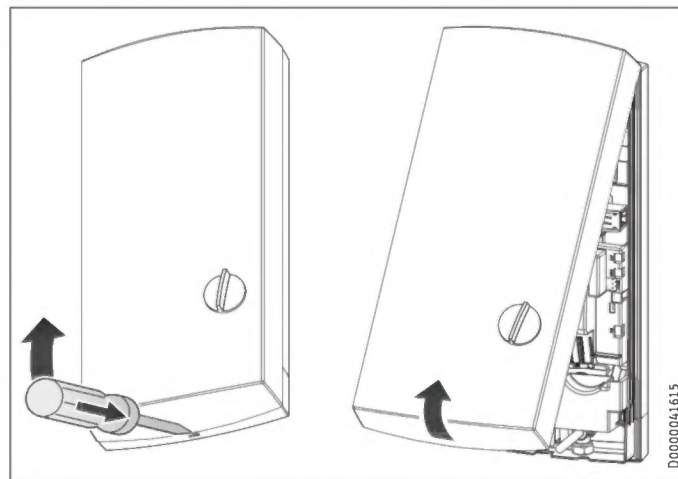
10.1 Montaż standardowy

- Przyłącze elektryczne u góry, instalacja podtynkowa
- Przyłącze wody, instalacja podtynkowa
- Wstępnie została nastawiona średnia moc przyłączeniowa

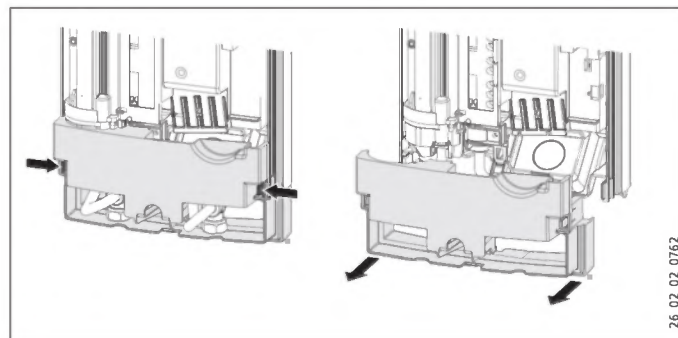
Opis innych sposobów montażu zawiera rozdział „Inne sposoby montażu”:

- Podtynkowe przyłącze elektryczne na dole
- Przyłącze elektryczne natynkowe
- Podłączenie przekaźnika priorytetu
- Natynkowa instalacja wodna
- Podtynkowe przyłącze wody przy wymianie urządzenia
- Eksploatacja ze wstępnie podgrzaną wodą
- Ograniczenie temperatury

Otwieranie urządzenia

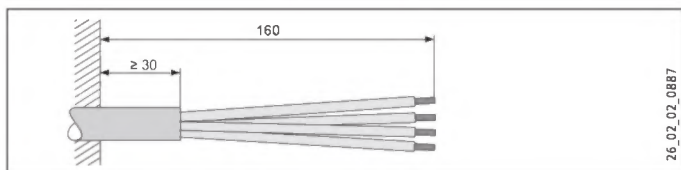


- ▶ Otworzyć urządzenie, odblokowując blokadę zatraskową.



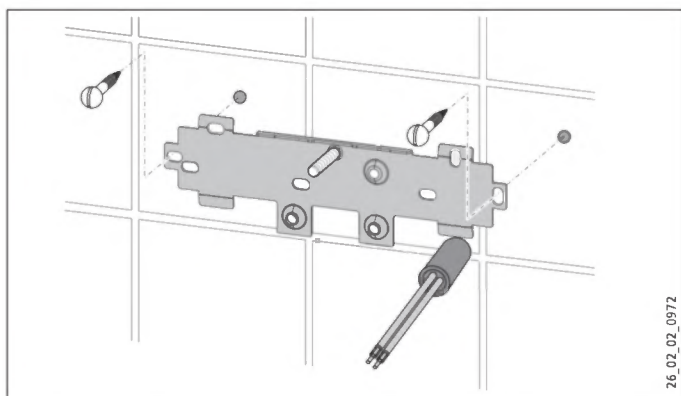
- ▶ Zdjąć ścianę tylną, naciskając oba haczyki blokujące i pociągając dolną część ścianki tylnej do przodu.

Przygotowanie sieciowego przewodu przyłączeniowego



26_02_02_0887

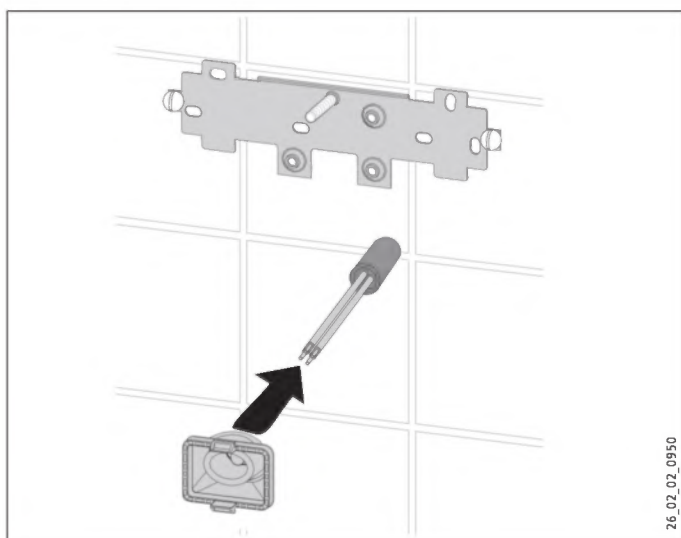
Mocowanie uchwyty ściennego



26_02_02_0972

- ▶ Za pomocą szablonu montażowego zaznaczyć otwory do wywiercenia. W przypadku montażu urządzenia z przyłączami wody umieszczonymi na tynku należy dodatkowo oznaczyć otwory mocujące w dolnej części szablonu.
- ▶ Wywiercić otwory i zamocować listwę do zawieszenia na ścianie za pomocą 2 wkrętów i 2 kołków rozporowych (wkręty i kołki rozporowe nie są objęte zakresem dostawy).
- ▶ Zamontować dołączony sworzень gwintowany.
- ▶ Zamontować uchwyt ścienny na ścianie.

Montaż osłony przewodu



26_02_02_0950

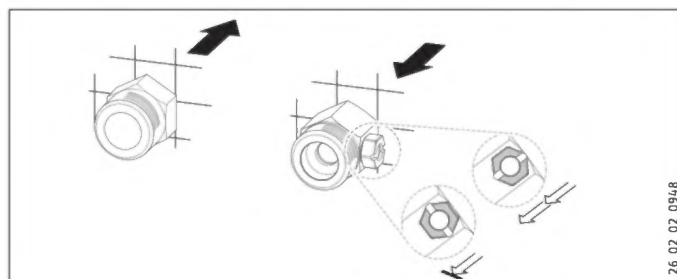
- ▶ Zamontować osłonę przewodu. Przy przekroju > 6 mm² powiększyć otwór w osłonie przewodu.

Wykonać podłączenie wodne



Szkody materialne

Wszystkie prace w zakresie podłączania wody i prace instalacyjne należy wykonywać zgodnie z przepisami.



26_02_02_0948

- ▶ Uszczelnić i wkręcić złączkę podwójną.



Szkody materialne

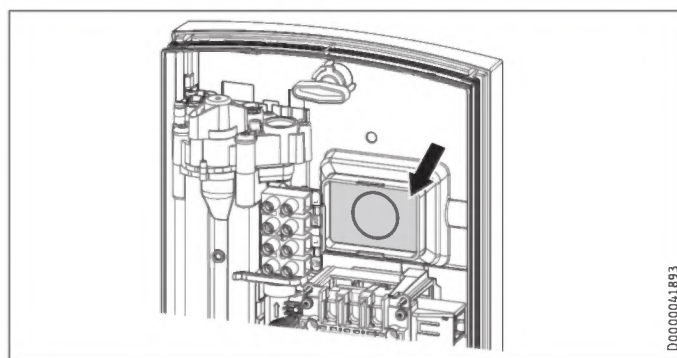
Nie używać zaworu odcinającego na zasileniu zimnej do urządzenia do tłumienia przepływu.

Przygotowanie do montażu tylnej ścianki



Szkody materialne

W razie przygotowania nieodpowiedniego otworu w ścianie tylnej, należy użyć nowej ścianki tylnej.



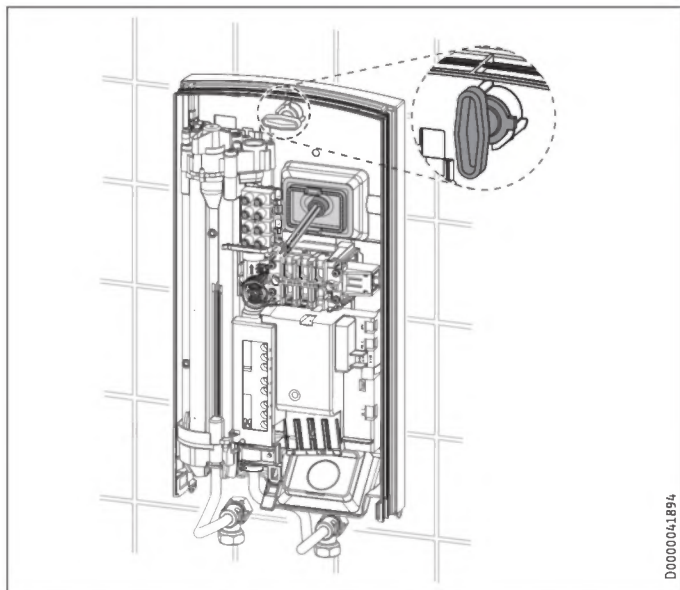
D0000041893

- ▶ W odpowiednich miejscach tylnej ścianki przygotować otwór dla osłony przewodu. W razie potrzeby wygładzić ostre krawędzie pilnikiem.

INSTALACJA

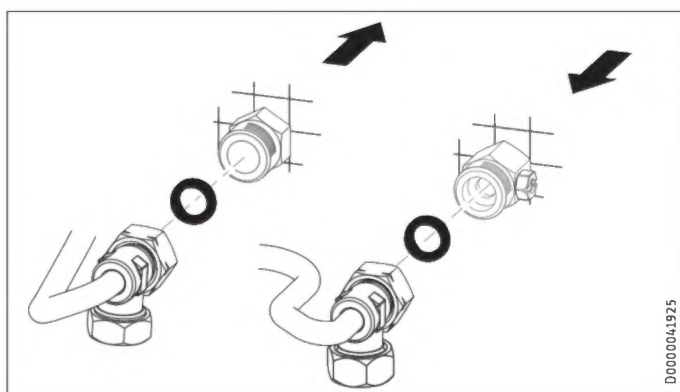
Montaż

Montaż urządzenia



D0000041B94

- ▶ Założyć tylną ściankę na sworzeń gwintowany i osłonę przewodu. Przy użyciu szczypek pociągnąć osłonę przewodu za haczyki blokujące do tylnej ścianki, aż haczyki zostaną zablokowane w słyszalny sposób.
- ▶ Usunąć zabezpieczające zatyczki transportowe z przyłączy wody.
- ▶ Docisnąć mocno tylną ściankę i zablokować przetyczkę mocującą, obracając ją w prawo o 90°.



D0000041B25

- ▶ Przykręcić rurki przyłączeniowe wody z uszczelkami płaskimi do złączek podwójnych.



Szkody materialne

Przy eksploatacji urządzenia sitko musi być zamontowane.

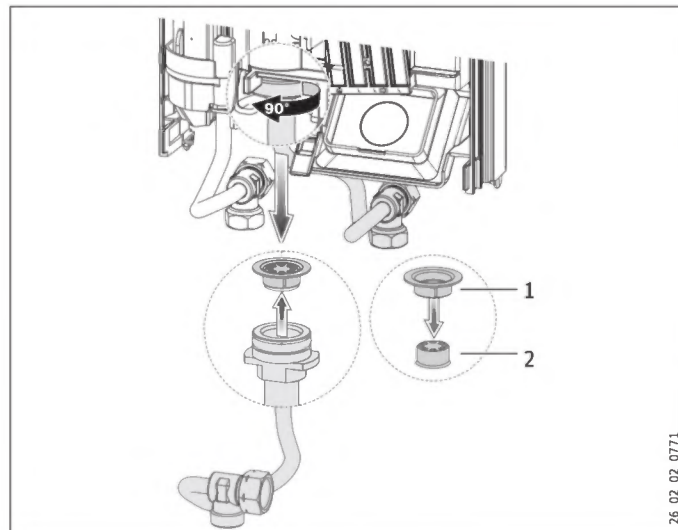
- ▶ Przy wymianie urządzenia sprawdzać, obecność sitka (patrz rozdział „Konserwacja”).

Wymowanie ogranicznika natężenia przepływu



Szkody materialne

W przypadku stosowania armatury termostatycznej, nie wolno wyjmować ogranicznika natężenia przepływu.



26_02_02_0771

- 1 Krążek kształtowy z tworzywa sztucznego
 - 2 Ogranicznik natężenia przepływu
- ▶ Wyjąć ogranicznik natężenia przepływu i założyć z powrotem kształtkę z tworzywa sztucznego.

Wykonanie przyłącza elektrycznego



OSTRZEŻENIE - porażenie prądem elektrycznym
Wszystkie elektryczne prace przyłączeniowe i instalacyjne należy wykonywać zgodnie z przepisami.



OSTRZEŻENIE - porażenie prądem elektrycznym
Podłączenie do sieci elektrycznej jest dopuszczalne tylko w postaci przyłącza stałego, w połączeniu z wymiową osłoną przewodu. Urządzenie musi mieć możliwość odłączania od sieci elektrycznej za pomocą wielobiegunowego wyłącznika z rozwarciem styków wynoszącym min. 3 mm.



OSTRZEŻENIE - porażenie prądem elektrycznym
Zwrócić uwagę, aby urządzenie zostało podłączone do przewodu ochronnego.



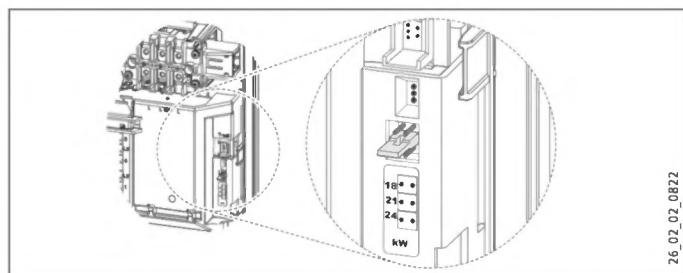
Szkody materialne

Zwrócić uwagę na treść tabliczki znamionowej. Podane napięcie musi być zgodne z napięciem sieciowym.

- ▶ Podłączyć elektryczny przewód przyłączeniowy do zacisku sieciowego (patrz rozdział „Dane techniczne / Schemat połączeń”).

Przełączenie wtyczki kodującej moc

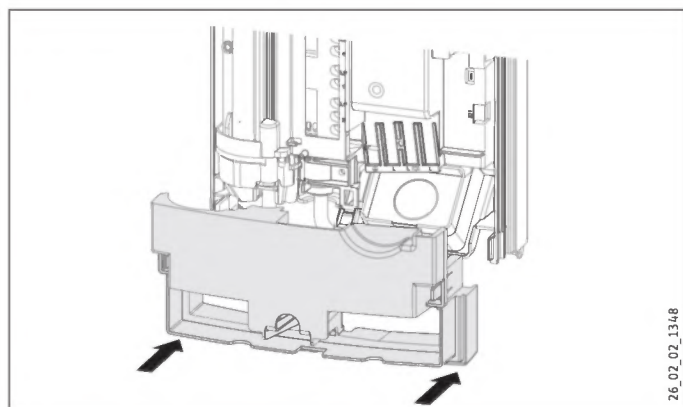
Urządzenie dostarczone jest z nastawą fabryczną na moc 21 kW. W celu przełączenia na inną moc przyłączeniową należy wykonać poniższe czynności:



26_02_02_08122

- ▶ Przełączyć wtyczkę kodującą zgodnie z wybraną mocą przyłączeniową (moc przyłączeniowa i zabezpieczenie urządzenia do wyboru – patrz rozdział „Dane techniczne/Tabela danych”).
- ▶ Zaznaczyć wybraną moc przyłączeniową na tabliczce znamionowej. Do tego celu użyć długopisu.

Montaż dolnej części tylnej ścianki

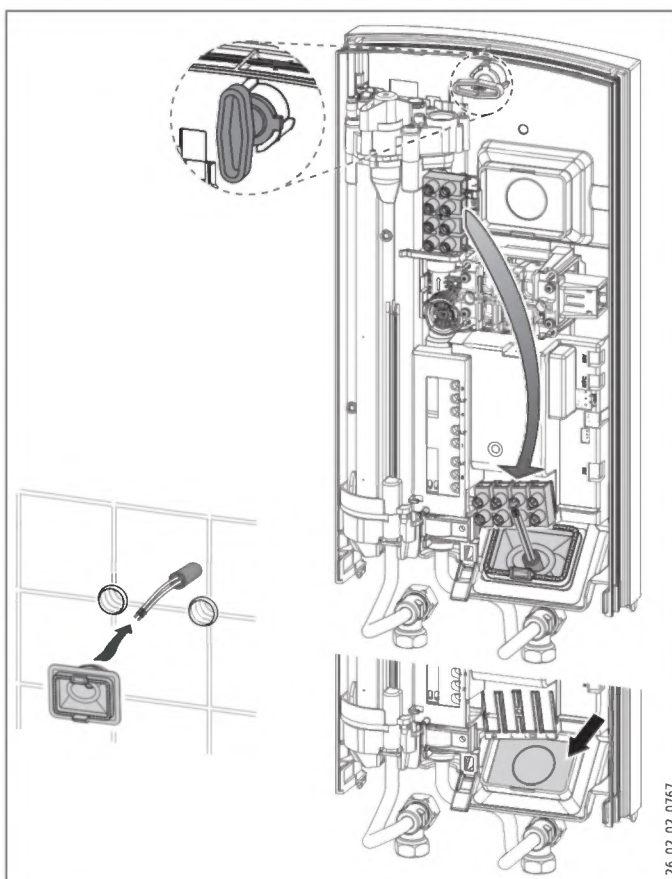


26_02_02_13448

- ▶ Zamontować dolną część do ściany tylnej i zaczepić ją.
- ▶ Wyrównać zamontowane urządzenie, zwalniając przetyczkę mocującą, wyrównując przyłącze elektryczne i tylną ściankę, a następnie z powrotem dokręcając przetyczkę mocującą. Jeżeli tylna ścianka urządzenia nie przylega równo, zamocować urządzenie przy użyciu dwóch dodatkowych wkrętów.

10.2 Inne sposoby montażu

10.2.1 Podtynkowe przyłącze elektryczne na dole



26_02_02_07167

- ▶ Zamontować osłonę przewodu.



Szkody materialne

W razie przygotowania nieodpowiedniego otworu w ścianie tylnej, należy użyć nowej ścianki tylnej.

- ▶ W odpowiednich miejscach tylnej ścianki przygotować otwór dla osłony przewodu. W razie potrzeby wygładzić ostre krawędzie pilnikiem.
- ▶ Przełożyć zacisk sieciowy w urządzeniu z góry do dołu.
- ▶ Założyć tylną ściankę na sworzeń gwintowany i osłonę przewodu. Przy użyciu szczypiec pociągnąć osłonę przewodu za haczyki blokujące do tylnej ścianki, aż haczyki zostaną zablokowane w słyszalny sposób.
- ▶ Docisnąć mocno tylną ściankę i zablokować przetyczkę mocującą, obracając ją w prawo o 90°.

10.2.2 Przyłącze elektryczne natynkowe



Wskazówka

Przy takim sposobie podłączenia zmienia się stopień ochrony urządzenia.

- ▶ Zmienić zapis na tabliczce znamionowej. Skreślić „IP 25” i zaznaczyć pole „IP 24”. Do tego celu użyć długopisu.



Szkody materialne

W razie przygotowania nieodpowiedniego otworu w ścianie tylnej, należy użyć nowej ścianki tylnej.

- ▶ Wyciąć lub równo wyłamać niezbędny przepust w tylnej ścianie (pozycje patrz rozdział „Dane techniczne / Wymiary i przyłącza”). W razie potrzeby wygładzić ostre krawędzie pilnikiem.
- ▶ Przeciągnąć elektryczny przewód przyłączeniowy przez osłonę przewodu i podłączyć go do zacisku sieciowego.

10.2.3 Podłączenie przełącznika priorytetu

W przypadku stosowania innych urządzeń elektrycznych dużej mocy może zaistnieć potrzeba zainstalowania przełącznika priorytetu montowanego w rozdzielni elektrycznej. W tym przypadku praca innych urządzeń podłączonych do przełącznika będzie wstrzymywana na czas pracy ogrzewacza.



Szkody materialne

Fazę włączającą przełącznik priorytetu należy podłączyć do odpowiednio oznaczonego zacisku sieciowego w urządzeniu (patrz rozdział „Dane techniczne / Schemat połączeń”).

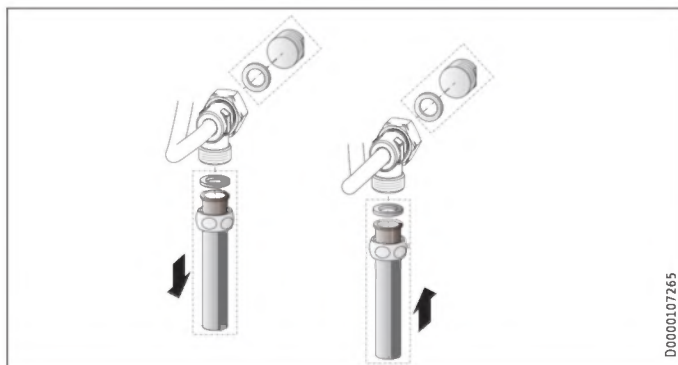
10.2.4 Natynkowa instalacja wodna



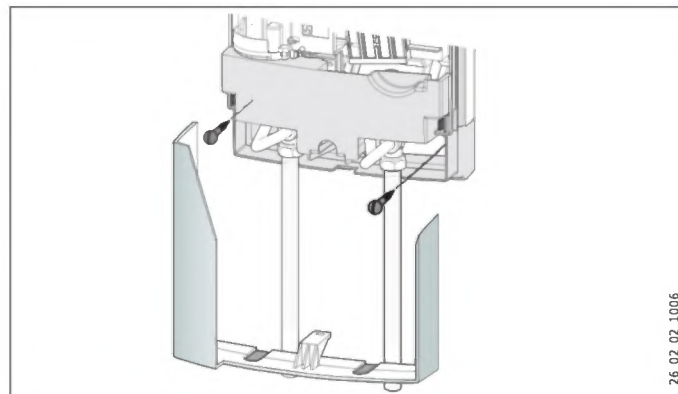
Wskazówka

Przy takim sposobie podłączenia zmienia się stopień ochrony urządzenia.

- ▶ Zmienić zapis na tabliczce znamionowej. Skreślić „IP 25” i zaznaczyć pole „IP 24”. Do tego celu użyć długopisu.



- ▶ Zamontować korki z uszczelkami, aby zamknąć przyłącze podtynkowe.
- ▶ Zamontować odpowiednią armaturę ciśnieniową.



- ▶ Przymocować tylną ściankę na dole przy użyciu dodatkowych śrub.
- ▶ Wsunąć dolną część tylnej ścianki pod rurki przyłączeniowe armatury i zaczepić ją.
- ▶ Przykręcić rurki przyłączeniowe do urządzenia.



Szkody materialne

W razie przygotowania nieodpowiedniego otworu w pokrywie urządzenia należy użyć nowej pokrywy!

- ▶ Dokładnie wyłamać otwory przelotowe w pokrywie urządzenia. W razie potrzeby wygładzić ostre krawędzie pilnikiem.

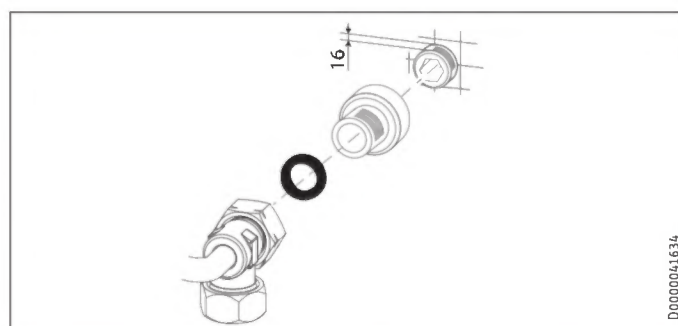
10.2.5 Podtynkowe przyłącze wody przy wymianie urządzenia

Jeżeli złączki podwójne pozostałe po poprzednim urządzeniu wystają tylko ok. 16 mm ze ściany, nie można użyć dostarczonej złączki podwójnej.



Wskazówka

W przypadku tego przyłącza, odcięcie dopływu zimnej wody jest możliwe tylko w instalacji domowej.



- ▶ Uszczelnić i wkręcić dostarczone przedłużenia armatury.
- ▶ Podłączyć urządzenie.

10.2.6 Eksploatacja ze wstępnie podgrzaną wodą

Poprzez montaż centralnej armatury termostatycznej można ograniczyć maksymalną temperaturę na wlocie.

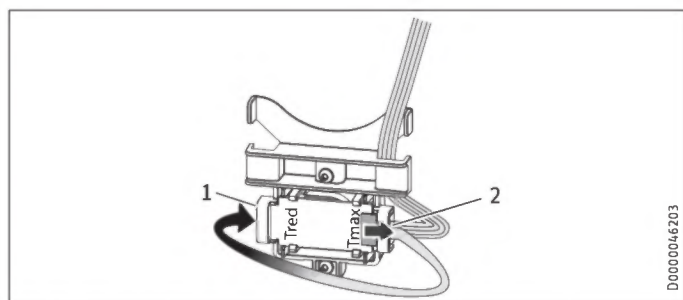
10.2.7 Ograniczenie temperatury



OSTROŻNIE - poparzenie
Przy zasilaniu wodą wstępnie podgrzaną nastawione ograniczenie temperatury może być nieskuteczne.

- ▶ W takim przypadku należy ograniczyć temperaturę na centralnej armaturze termostatycznej przed urządzeniem.

Ogranicznik temperatury można ustawić wewnątrz w pokrywie urządzenia.



- 1 Pozycja „Tred” (55 °C): Ograniczenie temperatury
- 2 Pozycja „Tmax”: brak ogranicznika temperatury, zakres nastaw temperatur, patrz rozdział „Dane techniczne / Tabela danych”.

10.3 Zakończenie montażu

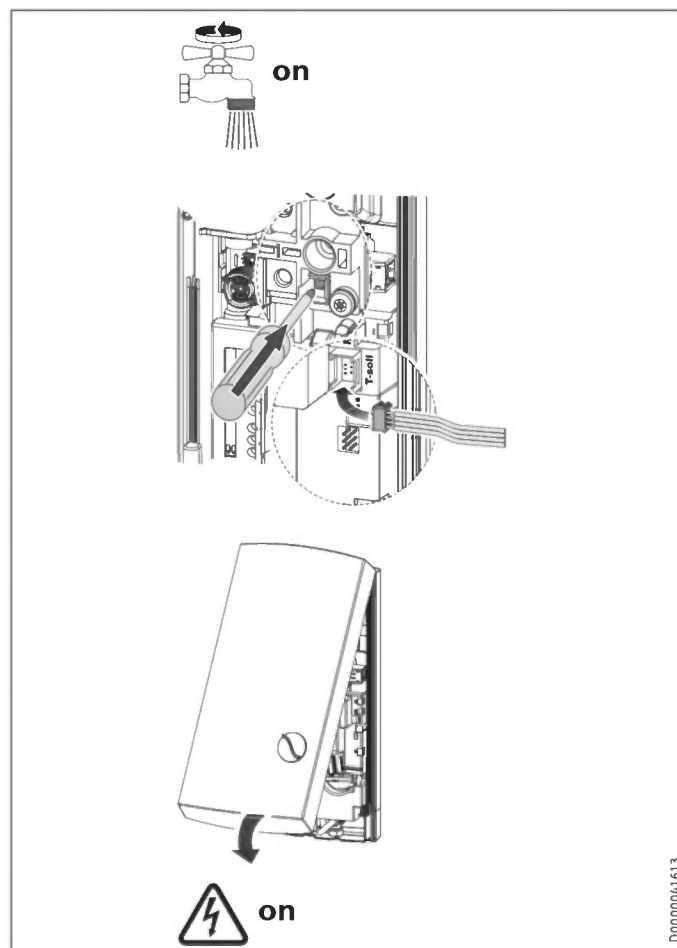
- ▶ Otworzyć zawór odcinający w złączce podwójnej lub przewodzie doprowadzającym zimną wodę.

11. Uruchomienie



OSTRZEŻENIE - porażenie prądem elektrycznym
Uruchomienie może zostać przeprowadzone wyłącznie przez wyspecjalizowanego Instalatora lub Serwisanta, z zachowaniem przepisów bezpieczeństwa.

11.1 Pierwsze uruchomienie



- ▶ Kilkakrotnie otworzyć i zamknąć wszystkie podłączone armatury poboru wody, aż do usunięcia całego powietrza z urządzenia i instalacji.
- ▶ Przeprowadzić kontrolę szczelności.
- ▶ Uaktywnić ogranicznik ciśnienia bezpieczeństwa, wciskając na stałe przycisk resetowania (urządzenie dostarczone jest z nieaktywnym ogranicznikiem ciśnienia bezpieczeństwa).
- ▶ Podłączyć wtyczkę przewodu nadajnika wartości zadanej temperatury do elektroniki.
- ▶ Zamontować pokrywę urządzenia, aż zatrzaśnie się w sposób słyszalny. Sprawdzić prawidłowe osadzenie pokrywy urządzenia.
- ▶ Włączyć napięcie sieci.
- ▶ Sprawdzić prawidłowość pracy urządzenia.

Przekazanie urządzenia

- ▶ Objaśnić użytkownikowi sposób działania urządzenia i zapoznać go ze sposobem użytkowania.
- ▶ Poinformować użytkownika o potencjalnych zagrożeniach, zwłaszcza o niebezpieczeństwie poparzenia.
- ▶ Przekazać niniejszą instrukcję.

11.2 Ponowne uruchomienie

Odpowietrzyć urządzenie i przewód doprowadzający wody zimnej (patrz rozdział „Nastawy”).

Patrz rozdział „Pierwsze uruchomienie”.

12. Wyłączenie z eksploatacji

- ▶ Odłączyć urządzenie na wszystkich biegunach od przyłącza sieciowego.
- ▶ Opróżnić urządzenie (patrz rozdział „Konserwacja”).

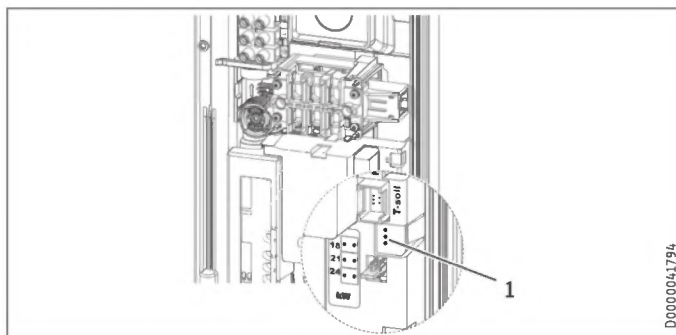
13. Usuwanie usterek



OSTRZEŻENIE - porażenie prądem elektrycznym
Aby umożliwić sprawdzenie urządzenia, należy doprowadzić do niego napięcie sieciowe.

Możliwe wskazania diagnostycznego wskaźnika (LED)

●	Czerwony	świeci się w razie usterek
●	Żółty	świeci się w trybie grzania
○	Zielony	miga: urządzenie podłączone do sieci



1 Wskaźnik diagnostyczny

Usterka / Wskazanie wskaźnika diagnostycznego	Przyczyna	Usuwanie
Zbyt mały przepływ.	Zanieczyszczone sitko w urządzeniu.	Wyczyścić sitko.
Zadana temperatura nie jest osiągnięta.	Brak fazy.	Sprawdzić bezpiecznik w instalacji domowej.
Ogrzewanie nie włącza się.	Funkcja wykrywania powietrza, wykrywa powietrze w wodzie i wyłącza moc grzewczą.	Urządzenie powraca do pracy po minucie.
Brak ciepłej wody i brak wskazania na wskaźniku.	Zadziałał bezpiecznik.	Sprawdzić bezpiecznik w instalacji domowej.
	Ogranicznik ciśnienia bezpieczeństwa AP 3 spowodował wyłączenie.	Usunąć przyczynę błędu (na przykład uszkodzona turbinka kontroli ciśnienia). Zabezpieczyć system grzejny przed przegrzaniem, otwierając na minutę armaturę poboru znajdującą się za urządzeniem. Powoduje to zredukowanie ciśnienia i schłodzenie systemu grzejnego. Aktywować ogranicznik ciśnienia bezpieczeństwa przy ciśnieniu przepływu, naciskając przycisk odblokowania (patrz rozdział „Pierwsze uruchomienie”).
	Elektronika uszkodzona.	Sprawdzić elektronikę, w razie potrzeby wymienić.
Wskazanie kontrolki: kolor zielony, miga lub świeci ciągle	Elektronika uszkodzona.	Sprawdzić elektronikę, w razie potrzeby wymienić.
Brak ciepłej wody przy przepływie > 3 l/min.	Kontrola przepływu DFE nie jest podłączona.	Z powrotem podłączyć wtyczkę kontroli przepływu.
	Kontrola przepływu DFE jest uszkodzona.	Sprawdzić kontrolę przepływu i w razie potrzeby wymienić ją.
Wskazanie kontrolki: kolor żółty – światło ciągłe, kolor zielony miga, brak ciepłej wody przy przepływie > 3 l/min.	Ogranicznik temperatury bezpieczeństwa zadziałał lub jest przerwany.	Sprawdzić ogranicznik temperatury bezpieczeństwa i w razie potrzeby wymienić go.
	System grzejny jest uszkodzony.	Zmierzyć oporność systemu grzejnego, ew. wymienić.
	Elektronika uszkodzona.	Sprawdzić elektronikę, w razie potrzeby wymienić.
Wskazanie kontrolki: kolor żółty – światło ciągłe, kolor zielony miga	Wyciągnięty czujnik wylotowy lub uszkodzenie przewodu.	Wetknąć czujnik wylotowy, a w razie potrzeby wymienić.
Wskazanie kontrolki: kolor czerwony – światło ciągłe, kolor zielony miga	Uszkodzony czujnik zimnej wody.	Sprawdzić elektronikę, w razie potrzeby wymienić.
brak ciepłej wody Temperatura zadana > 45 °C nie jest osiągnięta.	Temperatura zimnej wody na wejściu jest wyższa niż 45 °C.	Zmniejszyć temperaturę zimnej wody doprowadzanej do urządzenia.
Wskazanie kontrolki: kolor czerwony – światło ciągłe, kolor zielony miga	Czujnik wylotowy jest uszkodzony (zwarcie).	Sprawdzić czujnik wylotowy, a w razie potrzeby wymienić go.

14. Konserwacja



OSTRZEŻENIE - porażenie prądem elektrycznym
Przed przystąpieniem do wszelkich prac należy odłączyć urządzenie na wszystkich biegunach od sieci.

Opróżnianie urządzenia

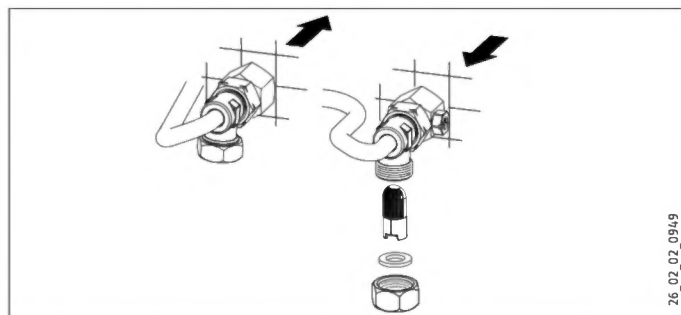
Urządzenie można opróżnić do celów konserwacyjnych.



OSTRZEŻENIE - poparzenie
Podczas opróżniania urządzenia może wypłynąć gorąca woda.

- ▶ Zamknąć zawór odcinający w złącze podwójnej lub przewodzie doprowadzającym zimną wodę.
- ▶ Otworzyć wszystkie armatury poboru wody.
- ▶ Odkręcić przyłącza wody od urządzenia.
- ▶ Zdemontowane urządzenie przechowywać w miejscu zabezpieczonym przed mrozem, ponieważ resztki wody pozostałe w urządzeniu mogą doprowadzić do jego zamrożenia i uszkodzenia.

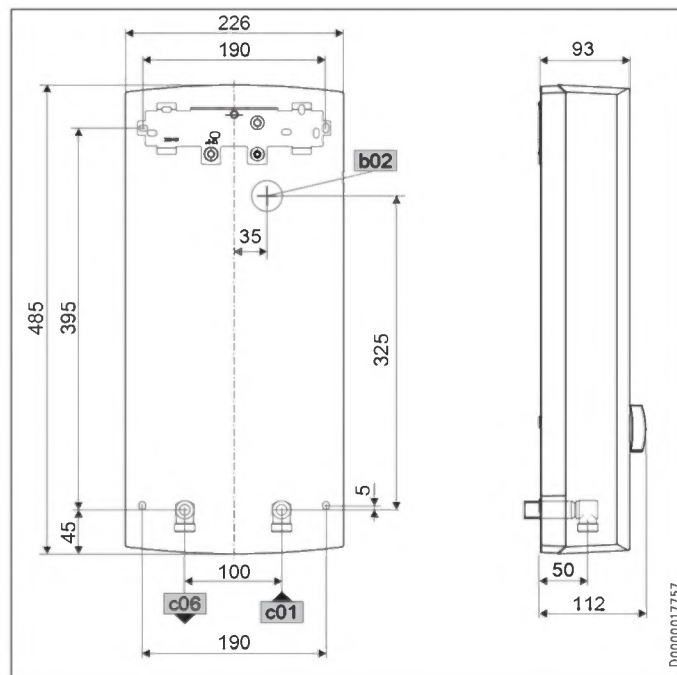
Czyszczenie sitka



W razie zabrudzenia, oczyścić sitko w przyłączy zimnej wody. Podłączyć zawór odcinający przewodu doprowadzającego wody zimnej przez wymontowaniem, oczyszczeniem i ponownym zamontowaniem sitka.

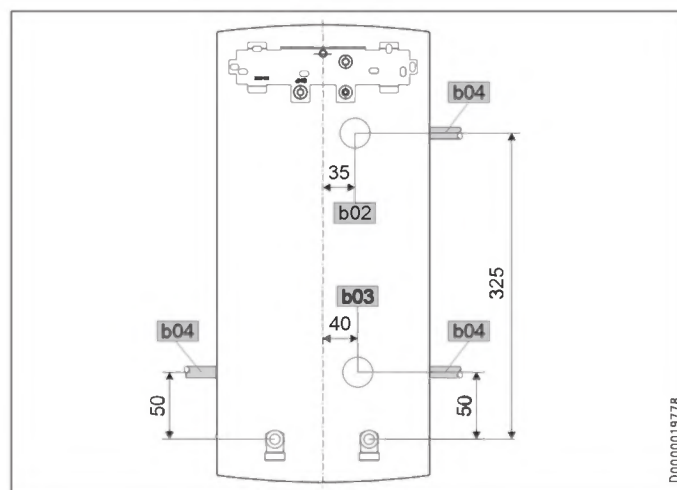
15. Dane techniczne

15.1 Wymiary i przyłącza



b02	Przepust na przewody elektr. I		
c01	Zimna woda, zasilanie	Gwint zewnętrzny	G 1/2 A
c06	Ciepła woda, wyjście	Gwint zewnętrzny	G 1/2 A

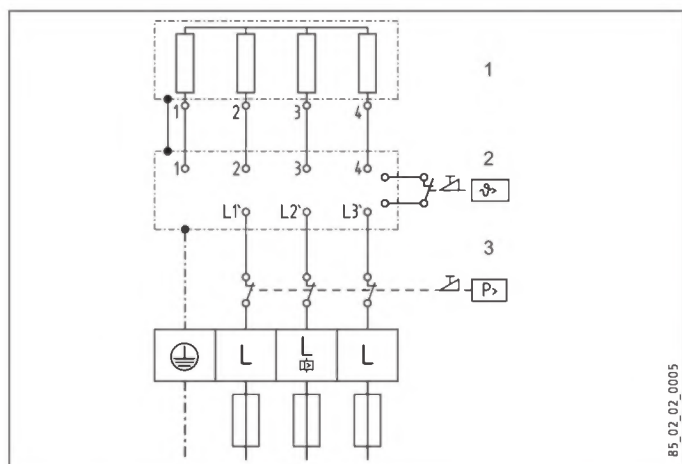
Inne możliwości podłączenia



b02	Przepust na przewody elektryczne I		
b03	Przepust na przewody elektryczne II		
b04	Przepust na przewody elektryczne III		

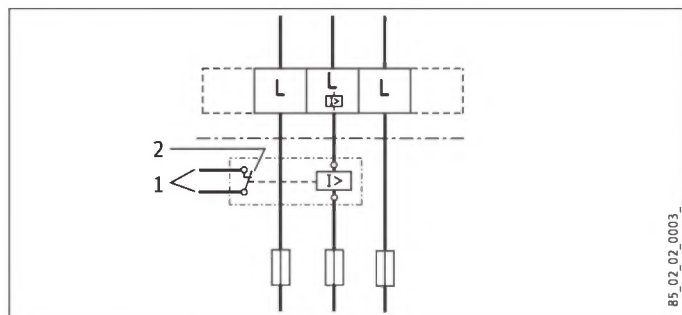
15.2 Schemat połączeń elektrycznych

3/PE ~ 380-415 V



- 1 Grzałki
- 2 Ogranicznik temperatury bezpieczeństwa
- 3 Ogranicznik ciśnienia bezpieczeństwa

Przełączanie priorytetowe za pomocą LR 1-A



- 1 Przewód sterujący do stycznika drugiego urządzenia (np. elektrycznego pieca akumulacyjnego).
- 2 Zestyk sterujący otwiera się po włączeniu przepływowego ogrzewacza wody.

15.3 Wydajność CWU

Wydajność ciepłej wody zależy od doprowadzonego napięcia sieciowego, mocy przyłączeniowej urządzenia i temperatury zimnej wody na zasilaniu urządzenia. Napięcie znamionowe oraz moc znamionowa należy odczytać z tabliczki znamionowej (patrz rozdział „Usuwanie problemów”).

Moc przyłączeniowa w kW		38 °C – wydajność ciepłej wody w L/min.				
Napięcie znamionowe		Temperatura zimnej wody na zasilaniu				
380 V	400 V	415 V	5 °C	10 °C	15 °C	20 °C
16,2			7,0	8,3	10,1	12,9
19			8,2	9,7	11,8	15,1
21,7			9,4	11,1	13,5	17,2
	18		7,8	9,2	11,2	14,3
	21		9,1	10,7	13,0	16,7
	24		10,4	12,2	14,9	19,0
		19,4	8,4	9,9	12,0	15,4
		22,6	9,8	11,5	14,0	17,9
		25,8	11,2	13,2	16,0	20,5

Moc przyłączeniowa w kW		50 °C – wydajność ciepłej wody w L/min.				
Napięcie znamionowe		Temperatura zimnej wody na zasilaniu				
380 V	400 V	415 V	5 °C	10 °C	15 °C	20 °C
16,2			5,1	5,8	6,6	7,7
19			6,0	6,8	7,8	9,0
21,7			6,9	7,8	8,9	10,3
	18		5,7	6,4	7,3	8,6
	21		6,7	7,5	8,6	10,0
	24		7,6	8,6	9,8	11,4
		19,4	6,2	6,9	7,9	9,2
		22,6	7,2	8,1	9,2	10,8
		25,8	8,2	9,2	10,5	12,3

15.4 Zakres pracy / tabela przeliczeniowa

Oporność elektryczna właściwy i przewodność elektryczna właściwa, patrz rozdział „Tabela danych”.

Wartość znamionowa przy 15 °C			20 °C			25 °C		
Oporność $\rho \geq$	Przewodność $\sigma \leq$		Oporność $\rho \geq$	Przewodność $\sigma \leq$		Oporność $\rho \geq$	Przewodność $\sigma \leq$	
$\Omega \text{ cm}$	mS/m	$\mu\text{S/cm}$	$\Omega \text{ cm}$	mS/m	$\mu\text{S/cm}$	$\Omega \text{ cm}$	mS/m	$\mu\text{S/cm}$
900	111	1111	800	125	1250	735	136	1361
1000	100	1000	890	112	1124	815	123	1227
1200	83	833	1070	93	935	985	102	1015
1300	77	769	1175	85	851	1072	93	933

15.5 Straty ciśnienia

Armatury

Strata ciśnienia w armaturze, przy przepływie 10 L/min		
Jednouchwytna armatura mieszająca, ok.	MPa	0,04 - 0,08
Armatura termostatyczna, ok.	MPa	0,03 - 0,05
Natrysk ręczny, ok.	MPa	0,03 - 0,15

Wymiarowanie sieci rur

Do zaprojektowania sieci rur zaleca się uwzględnienie dla urządzenia straty ciśnienia wynoszącej 0,1 MPa.

15.6 Warunki awaryjne

W razie awarii w instalacji mogą chwilowo występować obciążenia maks. 95 °C przy ciśnieniu 1,2 MPa.

15.7 Dane dotyczące zużycia energii

Karta danych produktu: Konwencjonalny podgrzewacz ciepłej wody użytkowej zgodnie z rozporządzeniem (UE) nr 812/2013 814/2013	
	PEY 18/21/24
	233993
Producent	STIEBEL ELTRON
Profil obciążeń	S
Klasa efektywności energetycznej	A
Sprawność energetyczna	% 39
Roczne zużycie prądu	kWh 477
Fabryczne ustawienie temperatury	°C 60
Poziom mocy akustycznej	dB(A) 15
Szczególne uwagi dotyczące pomiaru efektywności	Dane w przypadku Pmaks.
Dzienne zużycie prądu	kWh 2,198

Dane techniczne

15.8 Tabela danych

		PEY 18/21/24		
		233993		
Dane elektryczne				
Napięcie znamionowe	V	380	400	415
Moc znamionowa	kW	16,2/19/21,7	18/21/24	19,4/22,6/25,8
Prąd znamionowy	A	27,6/29,5/33,3	29/31/35	30,1/32,2/36,3
Zabezpieczenie	A	32/32/35	32/32/35	32/32/40
Częstotliwość	Hz	50/60	50/60	50/-
Fazy				3/PE
Oporność właściwa $\rho_{15} \geq$ (przy $\theta_{zimnej} \leq 25 \text{ }^\circ\text{C}$)	$\Omega \text{ cm}$	900	900	1000
Przewodność właściwa $\sigma_{15} \leq$ (przy $\theta_{zimnej} \leq 25 \text{ }^\circ\text{C}$)	$\mu\text{S/cm}$	1111	1111	1000
Oporność właściwa $\rho_{15} \geq$ (przy $\theta_{zimnej} \leq 45 \text{ }^\circ\text{C}$)	$\Omega \text{ cm}$	1200	1200	1300
Przewodność właściwa $\sigma_{15} \leq$ (przy $\theta_{zimnej} \leq 45 \text{ }^\circ\text{C}$)	$\mu\text{S/cm}$	833	833	770
Maks. impedancja sieci przy 50 Hz	Ω	0,284	0,270	0,260
Wykonania				
Wytwornica ciepła systemu grzejnego				Z odkrytą grzałką
Blok izolacyjny				Tworzywo sztuczne
Moc przyłączeniowa wybieralna				X
Regulacja temperatury	$^\circ\text{C}$			ok. 30-60
Pokrywa i ścianka tylna				Tworzywo sztuczne
Stopień ochrony (IP)				IP25
Kolor				Biały
Przyłącza				
Przyłącze wody				G 1/2 A
Granice stosowania				
Maks. dopuszczalne ciśnienie	MPa			1
Maks. temp. podgrzanej wody na zasilaniu	$^\circ\text{C}$			45
Parametry				
Maks. dopuszczalna temperatura wody na zasilaniu	$^\circ\text{C}$			60
Włączone	l/min			>3
Przepływ przy spadku ciśnienia	l/min			5,2/6,0/6,9
Spadek ciśnienia przy przepływie	MPa			0,08/0,10/0,13 (0,06/0,08/0,10 bez DMB)
Ograniczenie przepływu przy	l/min			8,0
Wydajność CWU	l/min			9,4/11,0/12,6
$\Delta\theta$ przy wydajności	K			26
Dane hydrauliczne				
Pojemność znamionowa	l			0,4
Wymiary				
Wysokość	mm			485
Szerokość	mm			226
Głębokość	mm			93
Masy				
Masa	kg			3,6

Gwarancja

Urządzeń zakupionych poza granicami Niemiec nie obejmują warunki gwarancji naszych niemieckich spółek. Ponadto w krajach, w których jedna z naszych spółek córek jest dystrybutorem naszych produktów, gwarancji może udzielić wyłącznie ta spółka. Taka gwarancja obowiązuje tylko wówczas, gdy spółka-córka sformułowała własne warunki gwarancji. W innych przypadkach gwarancja nie jest udzielana.

Nie udzielamy gwarancji na urządzenia zakupione w krajach, w których żadna z naszych spółek córek nie jest dystrybutorem naszych produktów. Ewentualne gwarancje udzielone przez importera zachowują ważność.

Ochrona środowiska i recycling

Pomóż chronić środowisko naturalne. Materiały po wykorzystaniu należy utylizować zgodnie z krajowymi przepisami.



Wskazówka

Urządzenie jest zgodne z IEC 61000-3-12.

KÜLÖNLEGES TUDNIVALÓK

KEZELÉS

1. Általános tudnivalók	48
1.1 Biztonsági tudnivalók	48
1.2 A dokumentumban használt egyéb jelölések	49
1.3 Mértékegységek	49
2. Biztonság	49
2.1 Rendeltetésszerű használat	49
2.2 Általános biztonsági tudnivalók	49
2.3 Tanúsítvány	49
3. Készülék-leírás	49
4. Beállítások	50
4.1 A beállításra vonatkozó ajánlások	50
5. Tisztítás, ápolás és karbantartás	50
6. Hibaelhárítás	50

TELEPÍTÉS

7. Biztonság	51
7.1 Általános biztonsági tudnivalók	51
7.2 Zuhanyozás	51
7.3 Előírások, szabványok és rendelkezések	51
8. Készülék-leírás	51
8.1 Szállítási terjedelem	51
9. Előkészületek	51
9.1 Felszerelési hely	51
9.2 Vízszelzés	52
10. Szerelés	52
10.1 Szabványos szerelés	52
10.2 Szerelési alternatívák	55
10.3 A telepítés befejezése	57
11. Üzembe helyezés	57
11.1 Első üzembe helyezés	57
11.2 Ismételt üzembe helyezés	58
12. Üzemen kívül helyezés	58
13. Üzemzavar-elhárítás	58
14. Karbantartás	59
15. Műszaki adatok	59
15.1 Méretek és csatlakozások	59
15.2 Villamos kapcsolási rajz	60
15.3 HMV-teljesítmény	60
15.4 Alkalmazási területek / átszámítási táblázatok	60
15.5 Nyomásvesztések	60
15.6 Üzemzavarok	60
15.7 Energiafogyasztási adatok	60
15.8 Adattábla	61

GARANCIA

KÖRNYEZETVÉDELEM ÉS ÚJRAHASZNOSÍTÁS

KÜLÖNLEGES TUDNIVALÓK

- A készüléket a 3 éves kort betöltött gyermekek, valamint testi, érzékszervi vagy szellemi fogyatékossgal élők, hozzá nem értő és a terméket nem ismerő személyek abban az esetben használhatják, ha eközben felügyelet alatt állnak vagy ha a készülék biztonságos használatával kapcsolatban betanítást kaptak és a használatból eredő veszélyeket megértették. Gyermekek nem játszhatnak a készülékkel. Gyermekek felügyelet nélkül nem végezhetik a készülék tisztítását és felhasználói karbantartását.
- A csaptelep hőmérséklete elérheti a 60 °C-ot. 43 °C-nál magasabb kiömlési hőmérséklet esetén fennáll a leforrázás veszélye.
- A készülék zuhanyzó (zuhanyüzem) ellátására alkalmas. Ha a készüléket zuhanyozásra is vagy kizárólag arra használja, akkor a szakembernek aktiválnia kell a készülékben a hőmérséklet-beállítási tartományt a hőmérséklet-határolón (Tred = 55 °C) keresztül. Előmelegített víz használatakor biztosítani kell, hogy annak bejövő hőmérséklete ne haladja meg az 55 °C-ot.
- Összpólusú, legalább 3 mm érintkezőtávolságú megszakítóval kell biztosítani a készülék hálózatról való leválasztásának lehetőségét.
- A megadott feszültségnek meg kell egyeznie a hálózati feszültséggel.
- A készülék védővezetékét be kell kötni.
- A készüléket fixen kell bekötni.
- A készüléket a „Telepítés / Szerelés“ c. fejezetben leírtak szerint erősítse fel.
- Ügyeljen a megengedett maximális nyomásra (lásd a „Telepítés / Műszaki adatok / Adattábla“ c. fejezetet).

- A készülék telepítésekor a fajlagos vízellenállás nem lehet kisebb a vízellátó hálózatra megadott értéknél (lásd a „Műszaki adatok / Adattábla“ c. fejezetet).
- Ürítse le a készüléket, a „Telepítés / Karbantartás / A készülék leürítése“ c. fejezet szerint.

KEZELÉS

1. Általános tudnivalók

A „Különleges tudnivalók“, valamint a „Kezelés“ c. fejezet a felhasználóknak és a szakembereknek szól.

A „Telepítés“ c. fejezet a szakemberek számára szükséges információkat tartalmazza.



Tudnivaló

Használat előtt olvassa el gondosan ezt az útmutatót és őrizze meg.

Ha továbbadja a készüléket, akkor az útmutatót is adja át a következő felhasználónak.

1.1 Biztonsági tudnivalók

1.1.1 A biztonsági tudnivalók felépítése



JELZŐSZÓ A veszély jellege

Itt a biztonsági utasítások figyelmen kívül hagyásából adódó esetleges következmények találhatóak.

► Itt a veszély elhárításához szükséges intézkedések találhatóak.

1.1.2 Szimbólumok, a veszély jellege

Szimbólum	A veszély jellege
	Sérülés
	Áramütés
	Égési sérülés (Égési sérülés, forrázás)

1.1.3 Jelzőszavak

JELZŐSZÓ	Jelentése
VESZÉLY	Olyan tudnivalók, amelyek figyelmen kívül hagyása sérüléshez vagy halálhoz vezet.
FIGYELMEZTETÉS	Olyan tudnivalók, amelyek be nem tartása súlyos vagy halálos sérüléseket okozhat.
VIGYÁZAT	Olyan tudnivalók, amelyek figyelmen kívül hagyása közepesen súlyos vagy könnyű sérülésekhez vezethet.

1.2 A dokumentumban használt egyéb jelölések



Tudnivaló

Az általános tudnivalókat a mellettük lévő szimbólumok jelölik.

► Gondosan olvassa el ezt a fejezetet.

Szimbólum	Jelentése
	Anyagi kár (készülék sérülése, közvetett kár, környezeti kár)
	A készülék ártalmatlanítása

► Ez a szimbólum azt jelzi Önnek, hogy valamilyen teendője van. A szükséges műveleteket lépésről lépésre ismertetjük.

1.3 Mértékegységek



Tudnivaló

Amennyiben nem jelöljük másképp, a méretek mm-ben értendők.

2. Biztonság

2.1 Rendeltetészerű használat

A nyomástartó készülék ivóvíz felmelegítésére vagy előmelegített víz utómelegítésére szolgál. A készülék egy vagy több vízvételi helyet képes ellátni.

A készülék háztartási használatra készült. A készüléket kizárólag személyek is biztonságosan használhatják. A készülék nem háztartási (pl. kisvállalkozási) környezetben is használható, amennyiben a felhasználás módja azonos.

Az ettől eltérő vagy ezen túlmutató felhasználás nem rendeltetészerűnek minősül. A rendeltetészerű használat egyúttal azt is feltételezi, hogy betartják a jelen útmutatóban, valamint az alkalmazott tartozékok útmutatóiban foglaltakat is.

2.2 Általános biztonsági tudnivalók



VIGYÁZAT Égési sérülés

A csaptelep hőmérséklete elérheti a 60 °C-ot. 43 °C-nál magasabb kiömlési hőmérséklet esetén fennáll a leforrázás veszélye.



VIGYÁZAT Égési sérülés

A melegvíz hőmérséklete eltérhet a beállított névleges értéktől előmelegített – pl. szolárberendezésből származó – vizet használó üzemben.



FIGYELMEZTETÉS Sérülés

Ezt a készüléket 3 éves kort betöltött gyermekek, valamint testi, érzékszervi vagy szellemi fogyatékkal élők, hozzá nem értő és a terméket nem ismerő személyek abban az esetben használhatják, ha eközben felügyelet alatt állnak vagy ha a készülék biztonságos használatával kapcsolatban betanítást kaptak és a használatból eredő veszélyeket megértették. Gyermekek nem játszhatnak a készülékkel. Gyermekek felügyelet nélkül nem végezhetik a készülék tisztítását és felhasználói karbantartását.

Ha készüléket gyermekek vagy testi, érzékszervi, illetve szellemi fogyatékkal élő személyek használják, akkor ajánlott a hőmérsékletet tartósan korlátozni. A korlátozást szakember állíthatja be.



Anyagi kár

A készüléket és a csaptelepet az üzemeltetőnek védenie kell a fagytól.

2.3 Tanúsítvány

Lásd a készülék típusabláját.

3. Készülék-leírás

Az elektronikusan vezérelt, automatikus teljesítményszabályozással ellátott átfolyó üzemű vízmelegítő a teljesítményhatárig állandó értéken tartja a kiömlési hőmérsékletet. A hőmérsékletet ezután a vízvételi csaptelepen kell kiválasztani.

Melegvíz-hőmérséklet

A melegvíz kiömlési hőmérséklete fokozatmentesen állítható.

Belső hőmérséklet-korlátozás (szakszerelő)

Kívánságra a szakember állandó hőmérséklet-korlátozást aktiválhat.

Ha a vízzel zuhanyzót lát el, a szakembernek aktiválnia kell a hőmérséklet-korlátozást.

Fűtésrendszer

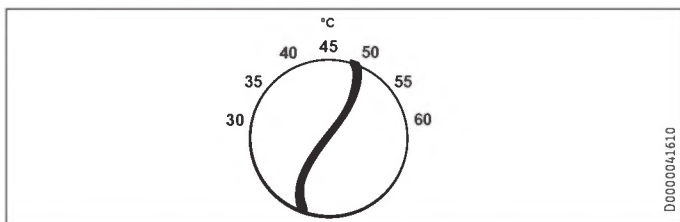
A csapaszdrótos fűtésrendszer nyomásálló műanyag köpennyel van ellátva. A fűtésrendszer alkalmas lágy vagy kemény vízhez; az szinte egyáltalán nem hajlamos a vízkövesedésre. A fűtésrendszer gyors és hatékony melegvíz-ellátást biztosít.



Tudnivaló

A készülék levegőérzékelővel van ellátva, amely hatékonyan megakadályozza a fűtésrendszer károsodását. Amennyiben üzem közben levegő kerül a készülékbe, a fűtés egy percre kikapcsol, és ezzel védelmet nyújt a fűtésrendszer számára.

4. Beállítások



- ▶ Forgassa a hőmérséklet-beállító gombot a kívánt helyzetbe.

Amennyiben a csaptelep teljesen ki van nyitva és maximális hőmérséklet van beállítva, de a kifolyó víz hőmérséklete mégsem elég magas, akkor a berendezésen nagyobb mennyiségű víz folyik keresztül, mint amit a fűtőtest fel tud melegíteni.

- ▶ Ilyenkor csökkentse a csaptelepen átfolyó víz mennyiségét.

4.1 A beállításra vonatkozó ajánlások

Az átfolyós vízmelegítő gondoskodik a melegvíz-ellátás maximális pontosságáról és maximális kényelméről. Ha azonban a készüléket termosztátos csapteleppel működteti, javasoljuk:

- ▶ Állítsa be a készülék hőmérsékletét a maximális hőmérsékletre. A kívánt hőmérséklet-alapjelet a termosztátos csaptelepen kell beállítani.

Energiatakarékosság

Az energiaigény az általunk ajánlott alábbi beállításoknál a legkisebb:

- 38 °C kézmosóhoz, zuhanyzóhoz, kádhoz
- 55 °C a konyhai mosogatóhoz

Beállítási javaslat termosztatikus csapteleppel és napkollektorral előmelegített vízzel történő üzemeltetésnél

- ▶ Állítsa be a készülék hőmérsékletét a maximális hőmérsékletre.

Teendők a vízellátás szüneteltetését követően



Anyagi kár

Annak érdekében, hogy a csupaszdrótos fűtésrendszer a vízszolgáltatás szünetelése után ne hibásodjon meg, a készüléket az alábbi lépéseken keresztül kell ismét üzembe állítani.

- ▶ Kapcsolja le a feszültséget a készülékről a biztosítékok lekapcsolásával.
- ▶ Nyissa ki a csaptelepet egy percre addig, amíg a készülék és a hidegvíz-bekötővezeték légmentessé nem válik.
- ▶ Kapcsolja vissza a hálózati feszültséget.

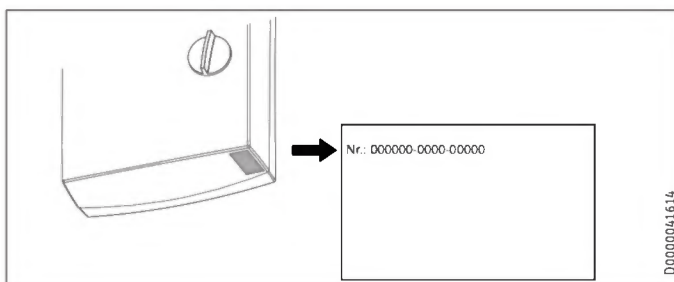
5. Tisztítás, ápolás és karbantartás

- ▶ Súroló hatású vagy oldószer tartalmú tisztítószer használata tilos! A készülék ápolása és tisztítása nedves ruhával végezhető.
- ▶ Rendszeresen ellenőrizze a csaptelepeket. A csaptelepek kifolyócsövein lerakódott vízkő kereskedelmi forgalomban kapható vízkőoldóval eltávolítható.

6. Hibaelhárítás

Probléma	Kiváltó ok	Elhárítás
A készülék még akkor sem kapcsolódik be, ha teljesen meg van nyitva a melegvíz-csap.	Nincs feszültség.	Ellenőrizze a biztosítékokat az épület elektromos rendszerében.
	Túl kevés az átfolyó mennyiség. A csaptelep vízszugárszabályzója vagy a zuhanyfej elvízkövesedett vagy elszennyeződött.	Tisztítsa meg és/vagy vízkőmentesítse a sugárszabályzót és a zuhanyfejet.
A melegvíz hőmérséklete nem éri el a kívánt értéket (> 45 °C).	Megszűnt a vízellátás.	Légtelenítse a készüléket és a hidegvíz-bekötővezetékét (lásd a „Beállítások” c. fejezetet).
	A hidegvíz bejövő hőmérséklete > 45 °C.	Csökkentse a hidegvíz bejövő hőmérsékletét.

Ha az okokat nem tudja elhárítani, hívjon szakembert. A jobb és gyorsabb segítség érdekében adja meg a típustáblán látható gyári számot (000000-0000-00000).



TELEPÍTÉS

7. Biztonság

A készülék telepítését, üzembe helyezését, illetve karbantartását és javítását csak szakember végezheti.

7.1 Általános biztonsági tudnivalók

A kifogástalan működést és az üzembiztonságot csak abban az esetben garantáljuk, ha a készülékhez való eredeti tartozékokat és eredeti pótalkatrészeket használják.



Anyagi kár

Vegye figyelembe a maximális bejövő hőmérsékletet. Magasabb hőmérséklet esetén a készülék károsodhat. Központi termosztátos csaptelep beépítésével korlátozhatja a maximális bejövő hőmérsékletet.



FIGYELMEZTETÉS Áramütés

Ez a készülék olyan kondenzátorokat tartalmaz, amelyek a hálózatról történő leválasztás után lemerülnek. A kondenzátor egyenáramú kisülési feszültsége adott esetben rövid időre meghaladhatja a 60 V-ot.

7.2 Zuhanyozás



VIGYÁZAT Égési sérülés

► Ha a vízzel zuhanyzót lát el, állítsa a belső hőmérséklet-korlátozást „Tred“-re, lásd a „Beépítési lehetőségek / Hőmérséklet-korlátozás“ c. fejezetet.



VIGYÁZAT Égési sérülés

Ha a készüléket előmelegített vízzel táplálja, vegye figyelembe a következő tudnivalót: A hőmérséklet túllépheti a készülékben beállítható korlátozást.

► Korlátozza a hőmérsékletet egy, a készülék elé szerelt központi termosztatikus csaptelleppel.

7.3 Előírások, szabványok és rendelkezések



Tudnivaló

Tartson be minden nemzeti és helyi előírást, illetve rendelkezést.

- Az IP 25 védettség (vízsugár elleni védelem) csak szakszerűen szerelt kábelvédő hüvely esetén szavatolt.
- A víz fajlagos elektromos ellenállása nem lehet kisebb a típustáblán megadott értéknél. Összekapcsolt vízvezeték esetén a víz legalacsonyabb elektromos ellenállását kell figyelembe venni (lásd a „Műszaki adatok / Alkalmazási területek / Átszámítási táblázatok“ c. fejezetet). A víz fajlagos elektromos ellenállásáról, illetve a víz vezetőképességéről a vízszolgáltatónál tájékozódhat.

8. Készülék-leírás

8.1 Szállítási terjedelem

A készülékkel együtt leszállított tartozékok:

- Fali tartó
- Menetes csapszegek fali tartóhoz
- Szerelésablak
- 2 db kettős közcsavar (hidegvíz-zárószeleppel)
- Lapostömítések
- Kábel tömszelence (elektromos tápvezeték, felső/alsó)
- Csavarok/tiplik a hátfal rögzítéshez falon kívül szerelt vízcsatlakozó esetén

A készülék cseréjéhez:

- 2 db csaphosszabbító

9. Előkészületek

9.1 Felszerelési hely



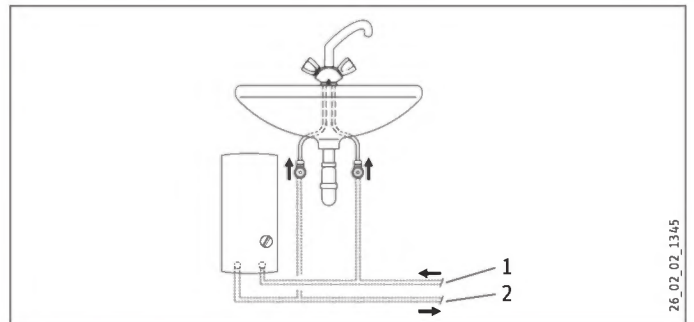
Anyagi kár

A készülék csak fagymentes helyiségben szerelhető fel.

- A készüléket mindig függőleges helyzetben és a vízvételi hely közelében kell felszerelni.

A készülék pult alá és fölé is telepíthető.

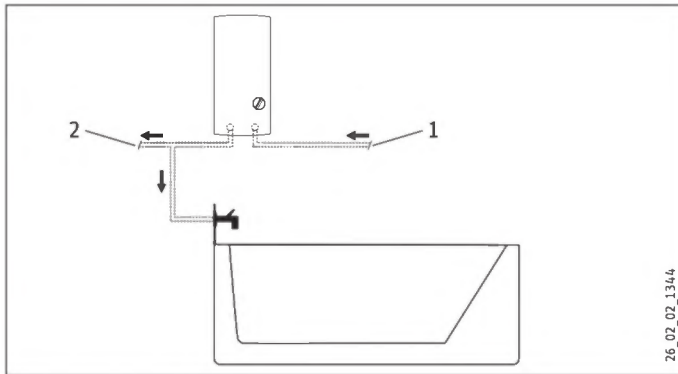
Pult alatti szerelés



1 Hidegvíz-bevezetés

2 Melegvíz-kivezetés

Pult feletti szerelés



- 1 Hidegvíz-bevezetés
2 Melegvíz-kivezetés



Tudnivaló

- Szerelje a készüléket a falra. A fal teherbírása elegendő kell, hogy legyen.

9.2 Vízszelzés

- Biztonsági szelep használata nem szükséges.
- Biztonsági szelepek használata a melegvíz-vezetékben nem engedélyezett.
- Alaposan öblítse át a vízvezetékét.
- Ellenőrizze, hogy rendelkezésre áll-e a készülék rendszerbe állításához szükséges térfogatáram (lásd a „Műszaki adatok / Adattábla“ c. fejezetet). Ha a térfogatáram nem éri el a szükséges értéket, akkor távolítsa el az átfolyásimennyiség-korlátozót (lásd a „Szerelés / Az átfolyásimennyiség-korlátozó kiszérése“ c. fejezetet).
- Növelje a vízvezetéki nyomást, ha a térfogatáram teljesen nyitott vízcsapnál nem éri el a szükséges értéket.

Csaptelepek

Használjon megfelelő nyomástartó szerelvényeket. Nyitott csaptelepek használata nem megengedett.



Tudnivaló

A hidegvíz-bevezetésben található zárószelepet nem szabad az áramlás fojtására használni. Az a készülék lezárására szolgál.

A vízvezeték kiépítésére felhasználható alapanyagok

- Hidegvíz-bekötővezeték:
tűzihorganyzott acélcső, rozsdamentes acél cső, rézcső vagy műanyag cső
- Melegvíz-kifolyóvezeték:
rozsdamentes acél cső, rézcső vagy műanyag cső



Anyagi kár

Műanyag csővezetékrendszer alkalmazása esetén vegye figyelembe a víz megengedett maximális bejövő hőmérsékletét és a megengedett maximális nyomást (lásd a „Műszaki adatok / Adattábla“ c. fejezetet).

Flexibilis csatlakozó vízvezetékek

- Flexibilis csatlakozó vízvezetékek felszerelésekor a készülékben elhelyezett bajonettzáras kötésekkal akadályozza meg a csőívek elcsavarodását.
- Rögzítse a hátlapot alul két további csavarral.

10. Szerelés

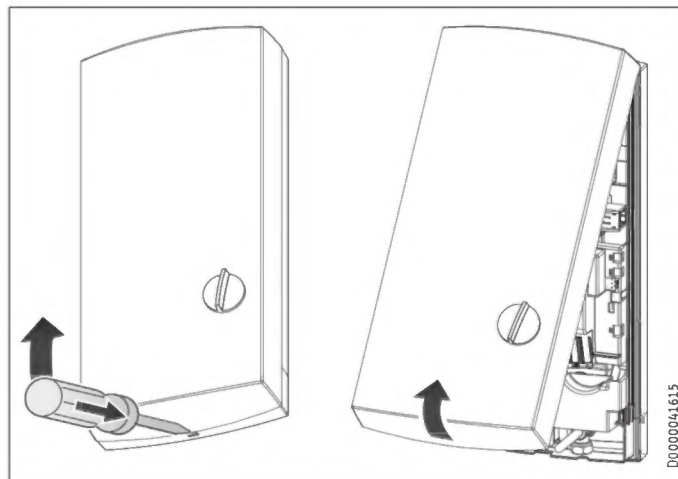
10.1 Szabványos szerelés

- Elektromos bekötés fent, süllyesztett szerelés
- Vízcsatlakozás, süllyesztett szerelés.
- Közepes csatlakozási teljesítmény előzetesen beállítva

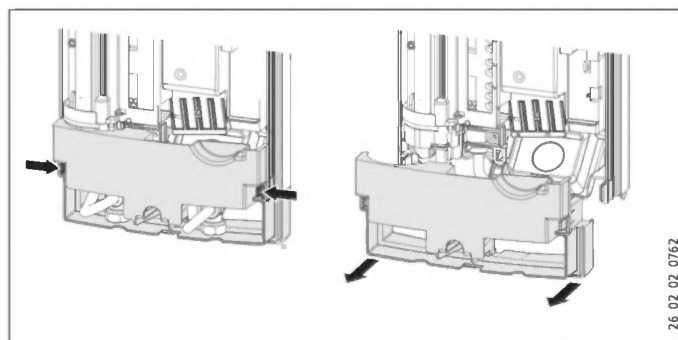
A további szerelési lehetőségeket lásd a „Szerelési alternatívák“ c. fejezetben:

- Süllyesztett alsó elektromos csatlakoztatás
- Falon kívüli elektromos bekötés
- Teherkapcsoló relé csatlakoztatása
- Falon kívüli vízbekötés
- Süllyesztett vízbekötés a készülék cseréjekor
- Üzemeltetés előmelegített vízzel
- Hőmérséklet-korlátozás

A készülék felnyitása



- Nyissa fel a készüléket a rögzítőzár kireteszelésével.

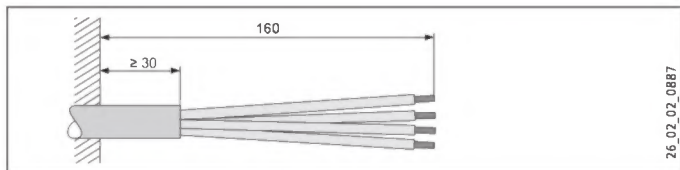


- Vegye le a hátlapot a következő módon: nyomja be mindkét rögzítőhorgot, és előrefelé húzza le a hátlap alsó részét.

TELEPÍTÉS

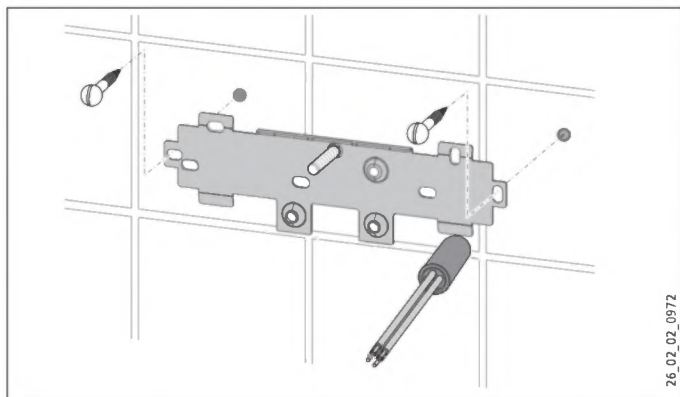
Szerelés

Készítse elő a hálózati tápkábelt



26_02_02_0887

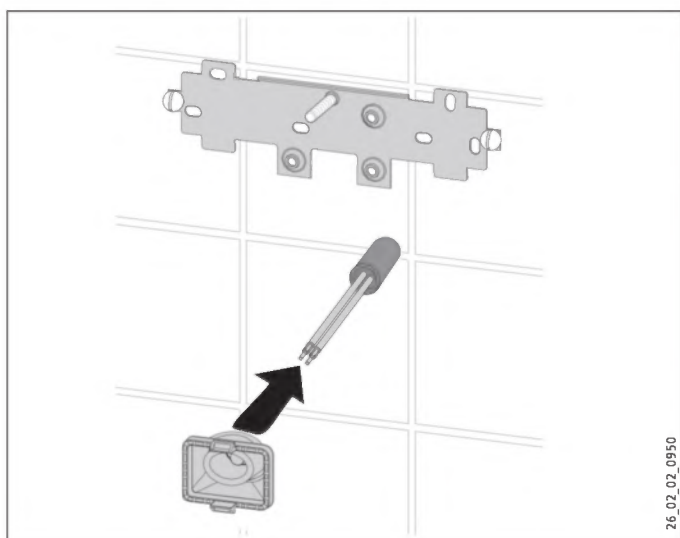
Szerelje fel a fali tartót



26_02_02_0972

- ▶ A szerelési sablon segítségével rajzolja fel a furatok helyét. Ha a készülék bekötése falon kívüli vízcsatlakozással történik, a sablon alsó részén a rögzítés céljára szolgáló lyukakat is kell jelölni.
- ▶ Fúrja ki a lyukakat, és 2 db tiplis és 2 db csavar felhasználásával szerelje fel a fali tartót (a tiplik és a csavarok nem tartoznak a szállítási tartozékok közé).
- ▶ Szerelje fel a készlethez mellékelt menetes csapszegeket.
- ▶ Szerelje fel a fali tartót.

A kábel-tömszelence felszerelése



26_02_02_0950

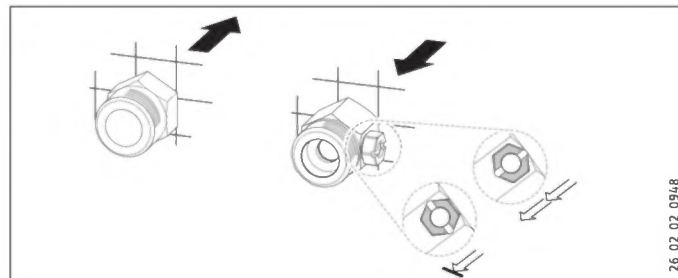
- ▶ Szerelje be a kábel-tömszelencét. Amennyiben a csatlakozókábel keresztmetszete $> 6 \text{ mm}^2$, úgy tágítsa ki a kábel-tömszelencét.

Alakítsa ki a vízcsatlakozást



Anyagi kár

Minden vízbekötési és szerelési munkát az előírásoknak megfelelően kell végezni.



26_02_02_0948

- ▶ Tekerje be tömítőanyaggal a közcsavart, majd hajtsa be.



Anyagi kár

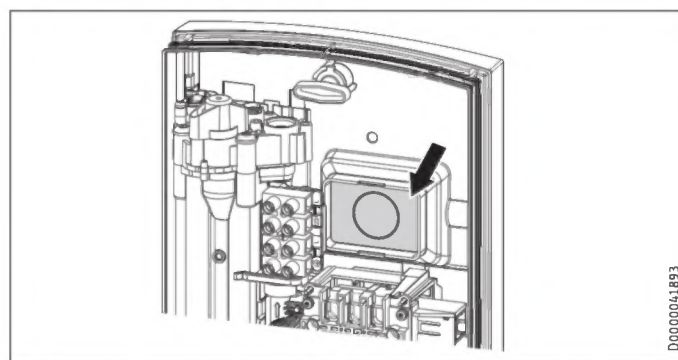
A hidegvíz-bevezetésben található zárószelepet nem szabad az áramlás fojtására használni.

A hátfal előkészítése



Anyagi kár

Amennyiben rossz helyen készít áttörést a hátlapon, új hátlapot kell felhasználnia.



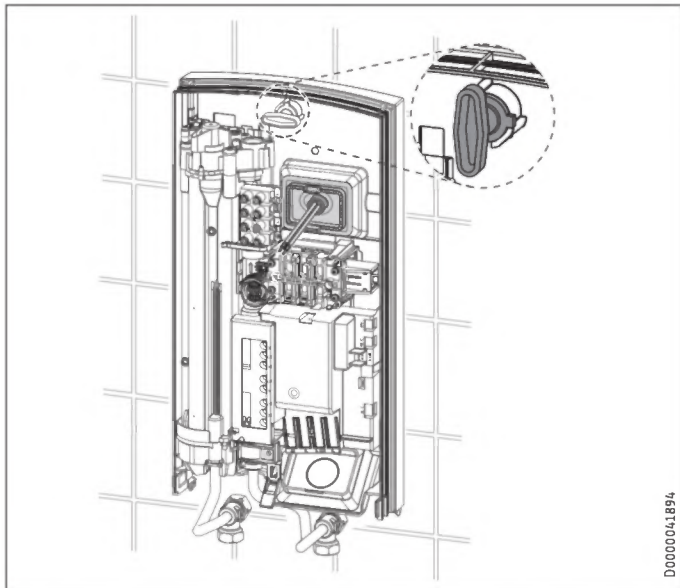
D0000041B93

- ▶ Törje ki a kábel-tömszelence nyílását a hátfalban. Szükség esetén sorjázza le az éles széleket reszelővel.

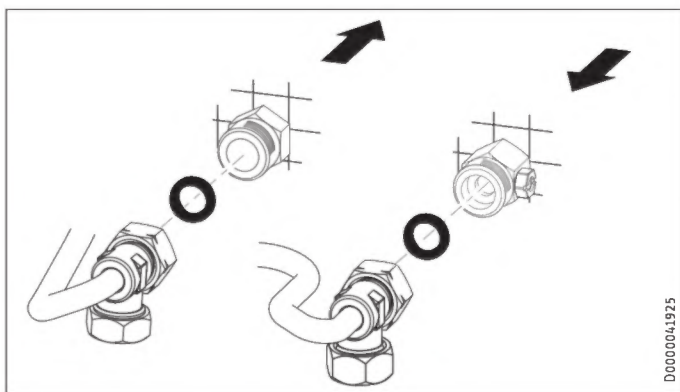
TELEPÍTÉS

Szerelés

A készülék felszerelése



- ▶ Tolja a hátfalat a menetes csapszegre és a kábel-tömszelencére. Fogóval húzza a kábel-tömszelencét a hátfalban lévő rögzítőhorogra, hogy mindkét rögzítőhorog hallhatóan a helyére kattanjon.
- ▶ Távolítsa el a vízcsatlakozásokból a szállítás közbeni védelemre szolgáló dugaszokat.
- ▶ Nyomja a helyére a hátlapot, majd fordítsa el a rögzítőpecket 90°-kal a rögzítéshez.



- ▶ A lapostömítéseket felhasználva csavarja fel a vízcsatlakozó csöveket a kettős közcsavarokra.



Anyagi kár

A készülék megfelelő működéséhez a szűrőt mindenképpen be kell szerelni.

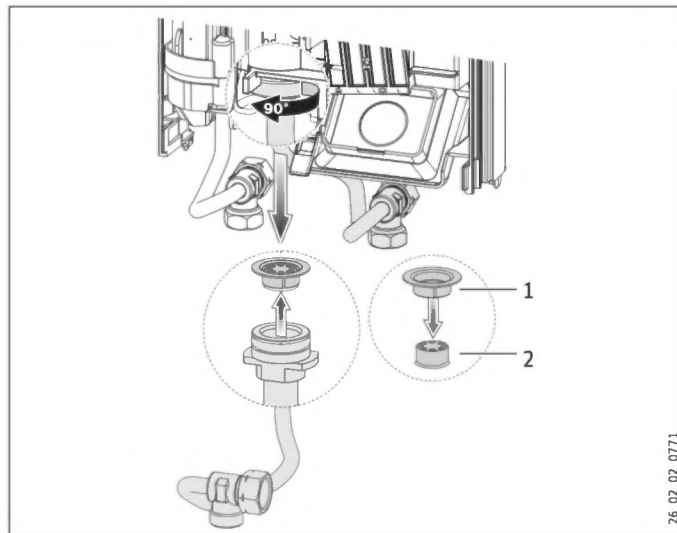
- ▶ A készülék cseréjekor ellenőrizze, hogy helyén van-e a szűrő (lásd a „Karbantartás” c. fejezetet).

Az átfolyásimennyiség-korlátozó kiserelése



Anyagi kár

Termosztátos csaptelep használata esetén az átfolyásimennyiség-korlátozót nem szabad kiserelni.



- 1 Műanyag idomtárcsa
- 2 Átfolyásimennyiség-korlátozó

- ▶ Szerelje ki az átfolyásimennyiség-korlátozót és helyezze vissza a műanyag idomtárcsát.

Az elektromos csatlakozás kialakítása



FIGYELMEZTETÉS Áramütés

Minden elektromos bekötési és szerelési munkát az előírásoknak megfelelően kell elvégezni.



FIGYELMEZTETÉS Áramütés

A hálózati tápfeszültség bekötése csakis fix módon, a kivehető kábelvédő hüvelyen keresztül történhet. Összpólusú, legalább 3 mm érintkezőtávolságú megszakítóval kell biztosítani a készülék hálózatról való leválasztásának lehetőségét.



FIGYELMEZTETÉS Áramütés

Feltétlenül csatlakoztassa a készüléket a védővezetékhez!



Anyagi kár

Vegye figyelembe a típustáblán szereplő adatokat. A megadott feszültségnek meg kell egyeznie a hálózati feszültséggel.

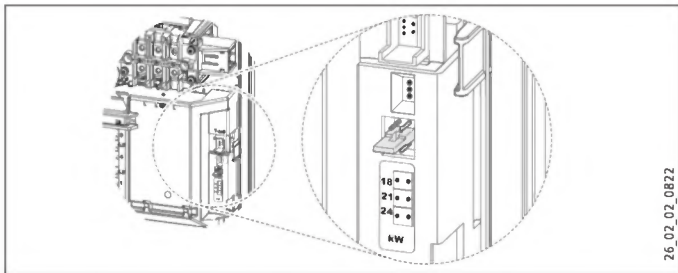
- ▶ Csatlakoztassa az elektromos csatlakozókábelt a hálózat bekötésére szolgáló kapocshoz (lásd a „Műszaki adatok / Villamos kapcsolási rajz” c. fejezetet).

TELEPÍTÉS

Szerelés

A kódoló kártya áthelyezése

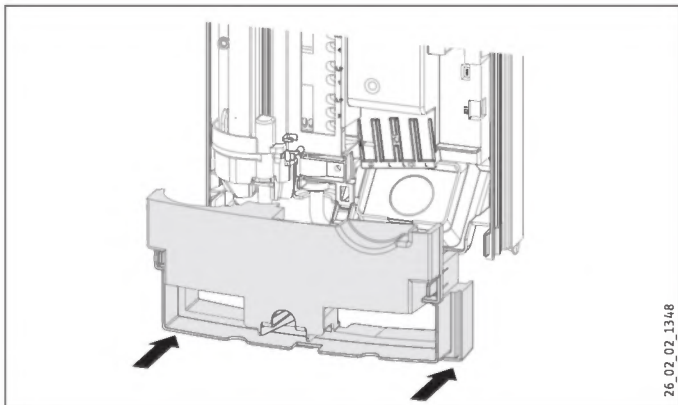
Kiszállítási állapotban a készülék 21 kW-ra van kapcsolva. Másik csatlakozási teljesítményre történő átállításhoz a következő lépéseket kell végrehajtania:



26_02_02_0822

- ▶ Helyezze át a kódoló kártyát a kiválasztott csatlakozási teljesítménynek megfelelően (a választható csatlakozási teljesítményt és a készülék biztosítékos védelmét lásd a „Műszaki adatok / Adattábla” c. fejezetben).
- ▶ Keresztrel jelölje be a kiválasztott csatlakozási teljesítményt a típustáblán. Erre a célra használjon golyóstollat.

A hátfal alsó részének szerelése

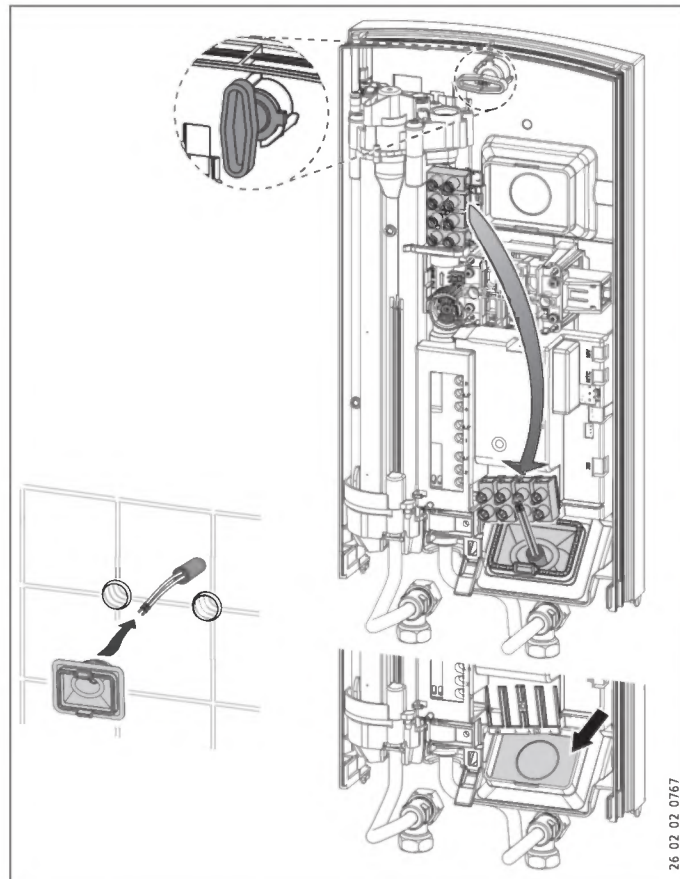


26_02_02_1348

- ▶ Szerelje a hátfal alsó részét a hátfalra és pattintsa be azt a helyére.
- ▶ Igazítsa be a felszerelt készüléket a rögzítőpecek kioldásával, az elektromos csatlakozók és a hátfal elhelyezésével és a rögzítőpecek újbóli meghúzásával. Ha a készülék hátfala nem szabályosan illeszkedik, akkor alul két további csavarral rögzítheti a készüléket.

10.2 Szerelési alternatívák

10.2.1 Süllyesztett alsó elektromos csatlakoztatás



26_02_02_0767

- ▶ Szerelje be a kábel-tömszelencét.



Anyagi kár

Amennyiben rossz helyen készít áttörést a hátfalon, új hátfalpot kell felhasználnia.

- ▶ Törje ki a kábel-tömszelence nyílását a hátfalban. Szükség esetén sorjázza le az éles széleket reszelővel.
- ▶ Helyezze át a készülékben található hálózati csatlakozókaptot felülről alulra.
- ▶ Tolja a hátfalat a menetes csapszegre és a kábel-tömszelencére. Fogóval húzza a kábel-tömszelencét a hátfalban lévő rögzítőhorogra, hogy mindkét rögzítőhorog hallhatóan a helyére kattanjon.
- ▶ Nyomja a helyére a hátfalpot, majd fordítsa el a rögzítőpecket 90°-kal a rögzítéshez.

10.2.2 Falon kívüli elektromos bekötés



Tudnivaló

Ezen bekötési mód esetén megváltozik a készülék védettsége.

- ▶ Vezesse fel a változást a típustáblára. Húzza át az „IP 25” megjelölést, és tegyen jelet az „IP 24” négyzetbe. Erre a célra használjon golyóstollat.



Anyagi kár

Amennyiben rossz helyen készít áttörést a hátlapon, új hátlapot kell felhasználnia.

- ▶ Vágja vagy törje ki a hátlapot a kábelbevezetés számára úgy, hogy sima éleket kapjon (a pozíciókat lásd a „Műszaki adatok / Méretek és csatlakozások” c. fejezetben). Szükség esetén sorjázza le az éles széleket reszelővel.
- ▶ Vezesse át az elektromos csatlakozókábelt a tömszelencén és csatlakoztassa azt a hálózati csatlakozókapocshoz.

10.2.3 Teherlekapcsoló relé csatlakoztatása

Más elektromos készülékekkel (pl. elektromos hőtárolós fűtőberendezésekkel) együtt történő használat esetén telepítsen teherlekapcsoló relét a villamos elosztó szekrénybe. A terhelésledobásra az átfolyó üzemű vízmelegítő használatakor kerül sor.



Anyagi kár

A teherlekapcsoló relét kapcsoló fázist csatlakoztassa a készülékben található hálózati kapocsléc megjelölt sor-kapcsához (lásd a „Műszaki adatok / Villamos kapcsolási rajz” c. fejezetet).

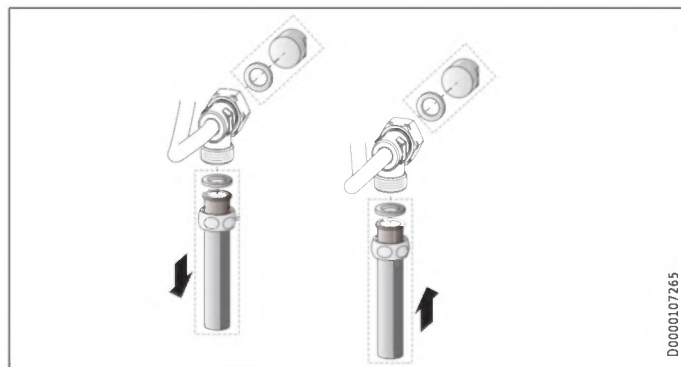
10.2.4 Falon kívüli vízbekötés



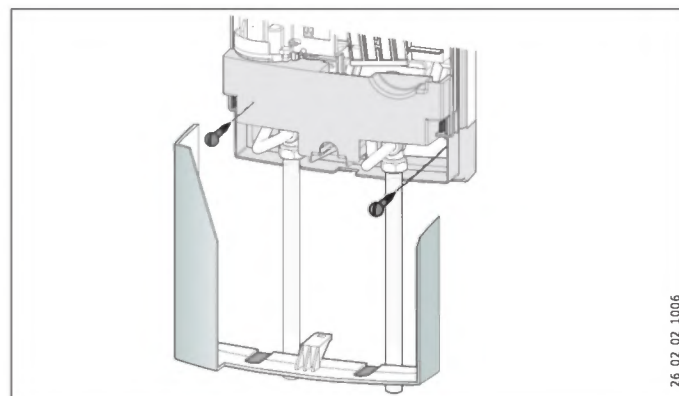
Tudnivaló

Ezen bekötési mód esetén megváltozik a készülék védettsége.

- ▶ Vezesse fel a változást a típustáblára. Húzza át az „IP 25” megjelölést, és tegyen jelet az „IP 24” négyzetbe. Erre a célra használjon golyóstollat.



- ▶ A süllyesztett szerelésű csatlakozók lezárásához szereljen fel tömítéssel ellátott záródugókat.
- ▶ Telepítsen megfelelő nyomástartó szerelvényt.



- ▶ Rögzítse a hátlapot alul két további csavarral.
- ▶ Tolja a hátfal alsó részét a csapterlep csatlakozócsövei alá és pattintsa be a hátfal alsó részét a helyére.
- ▶ Csavarozza össze a bekötővezetéseket a készülékkel.



Anyagi kár

Amennyiben rossz helyen készít áttörést a készülékfedélen, új készülékfedélt kell felhasználnia.

- ▶ Törje át a készülékfedélen található átvezetéseket úgy, hogy sima éleket kapjon. Szükség esetén sorjázza le az éles széleket reszelővel.

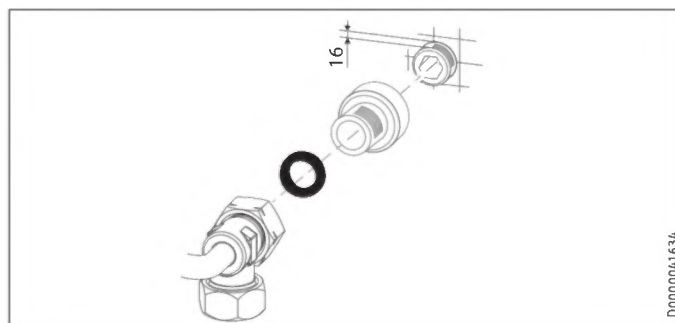
10.2.5 Vízszelvények süllyesztett szerelése a készülék cseréjekor

Ha a régi készülék meglévő kettős közcsavarjai csak kb. 16 mm-re állnak ki a falból, akkor a leszállított készletben található kettős közcsavarok nem használhatók.



Tudnivaló

Ennél a csatlakozási változatnál a hidegvíz-bevezetést csak a ház vízhálózatában lehet elzárni.



- ▶ Tömítse és csavarja be a leszállított készletben található csaphosszabbítókat.
- ▶ Csatlakoztassa a készüléket.

10.2.6 Üzemeltetés előmelegített vízzel

Központi termosztatikus csapterlep beépítésével a maximális bejövő hőmérséklet korlátozott.

TELEPÍTÉS

Üzembe helyezés

10.2.7 Hőmérséklet-korlátozás

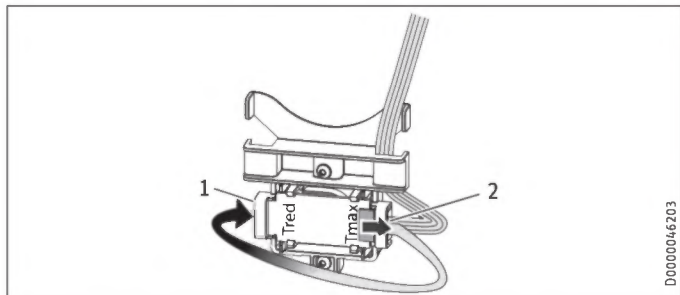


VIGYÁZAT Égési sérülés

Előmelegített vízzel történő üzemeltetéskor előfordulhat, hogy a beállított hőmérséklet-korlátozás nem működik.

- ▶ Ebben az esetben korlátozza a hőmérsékletet egy, a készülék elé szerelt központi termosztatikus csaptelepnél.

A hőmérséklet-korlátozást a készülékfedél alatt állíthatja be.



- 1 „Tred” pozíció (55 °C): Hőmérséklet-korlátozás
- 2 „Tmax” pozíció: nincs hőmérséklet-korlátozás, a hőmérséklet-beállítási tartományt lásd a „Műszaki adatok / Adattábla” c. fejezetben.

10.3 A telepítés befejezése

- ▶ Nyissa meg a kettős közcsavarban vagy a hidegvíz-bekötővezetékben található zárószelepet.

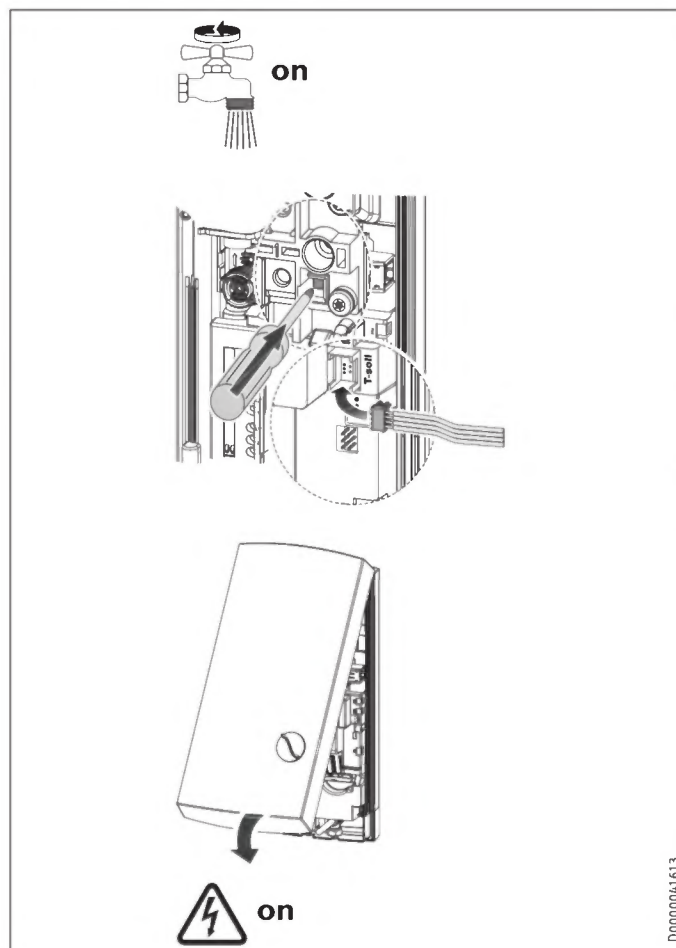
11. Üzembe helyezés



FIGYELMEZTETÉS Áramütés

Az üzembe helyezést csak szakember végezheti el a biztonsági előírások figyelembe vételével!

11.1 Első üzembe helyezés



- ▶ Többször nyissa ki majd zárja el az összes csatlakoztatott vízcsapot addig, amíg a vízvezeték-hálózat és a készülék légtelenítődik.
- ▶ Ellenőrizze a rendszer tömítettségét.
- ▶ A visszaállító gomb erőteljes megnyomásával aktiválja a biztonsági nyomáshatárolót (a készüléket deaktivált biztonsági nyomáshatárolóval szállítjuk le).
- ▶ Csatlakoztassa a hőmérséklet-beállító kábelének dugóját az elektronikához.
- ▶ Szerelje fel a készülékfedelelet úgy, hogy az hallhatóan a helyére kattanjon. Ellenőrizze, hogy a készülékfedél a helyén van-e.
- ▶ Kapcsolja be a hálózati feszültséget.
- ▶ Ellenőrizze a készülék működését.

A készülék átadása

- ▶ Magyarázza el a felhasználónak a készülék működését és ismertesse meg vele a használatát.
- ▶ Figyelmeztesse a felhasználót az esetleges veszélyekre, különösen a leforrázás veszélyére.
- ▶ Adja át ezt az útmutatót.

11.2 Ismételt üzembe helyezés

Légtelenítse a készüléket és a hidegvíz-bekötővezetékét (lásd az „Beállítások” c. fejezetet).

Lásd az „Első üzembe helyezés” c. fejezetet.

12. Üzemen kívül helyezés

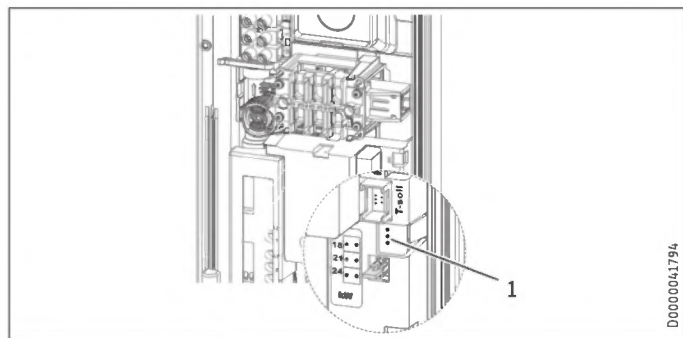
- ▶ Válassza le a készüléket összpólusúan a hálózatról.
- ▶ Űrítse le a készüléket (lásd a „Karbantartás” fejezetet).

13. Üzemzavar-elhárítás

FIGYELMEZTETÉS Áramütés
A készülék ellenőrzéséhez a villamos hálózati tápfeszültséget a készülékre kell kapcsolni.

Megjelenítési lehetőségek a LED-es diagnosztikai eszközön

●	piros	üzemzavar esetén világít
●	sárga	a fűtési üzemmód bekapcsolt állapotában világít
○	zöld	villog: A készülék hálózati tápfeszültséget kap



1 Üzemállapot-jelző lámpa

Üzemzavar / Jelzés a LED-es diagnosztikai eszközön	Kiváltó ok	Elhárítás
Az átfolyási mennyiség túl alacsony.	A készülék szűrője elszennyeződött.	Tisztítsa meg a szűrőt.
A víz nem éri el a hőmérséklet alapjelt.	Hiányzik egy fázis.	Ellenőrizze a biztosítékot az épület elektromos rendszerében.
A fűtés nem kapcsolódik be.	Levegő észlelhető a vízben; rövid időre kikapcsolódik a vízmelegítési teljesítmény.	A készülék egy perc eltételel ismét bekapcsol.
Nincs meleg víz és nem működnek az üzemállapot-jelző lámpák.	A biztosíték kioldott.	Ellenőrizze a biztosítékot az épület elektromos rendszerében.
	Az AP 3 biztonsági nyomáshatároló leoldott.	Hárítsa el a hiba okát (például hibás öblítőszelvény). Védje a fűtésrendszert a túlmelegedés ellen úgy, hogy egy percre kinyit egy, a készülék után csatlakoztatott vízcsapot. Ezáltal a fűtésrendszerben megszűnik a túlnyomás, és a rendszer lehűl. Aktiválja a biztonsági nyomáshatárolót az áramlási nyomáson a visszaállító gomb megnyomásával (lásd az „Első üzembe helyezés” c. fejezetet).
	Az elektronika meghibásodott.	Ellenőrizze az elektronikát, szükség esetén pedig cserélje ki azt.
Lámpakijelzés: a zöld villog vagy folyamatosan világít	Az elektronika meghibásodott.	Ellenőrizze az elektronikát, szükség esetén pedig cserélje ki azt.
Nincs melegvíz, miközben az átfolyás > 3 l/perc.	A DFE átfolyásmérő nincs csatlakoztatva.	Csatlakoztassa újból az átfolyásmérő dugós csatlakozóját.
	A DFE átfolyásmérő meghibásodott.	Ellenőrizze az átfolyásmérőt, szükség esetén pedig cserélje ki azt.
Lámpakijelzés: a sárga világít, a zöld villog	A biztonsági hőmérséklet-határoló működésbe lépett vagy annak áramköre megszakadt.	Ellenőrizze és adott esetben cserélje ki a biztonsági hőmérséklet-határolót.
	A fűtésrendszer meghibásodott.	Mérje meg a fűtésrendszer ellenállását, szükség esetén pedig cserélje ki azt.
	Az elektronika meghibásodott.	Ellenőrizze az elektronikát, szükség esetén pedig cserélje ki azt.
Lámpakijelzés: a sárga világít, a zöld villog	A kimeneti érzékelőt lehúzták, vagy megszakadt a vezetéke.	Dugja vissza, illetve adott esetben cserélje ki a kimeneti érzékelőt.
Lámpakijelzés: a piros világít, a zöld villog	A hidegvíz-érzékelő meghibásodott.	Ellenőrizze az elektronikát, szükség esetén pedig cserélje ki azt.
nincs meleg víz a kívánt hőmérséklet nem éri el a > 45 °C értéket.	A hidegvíz bejövő hőmérséklete magasabb, mint 45 °C.	Csökkentse a készülékbe bevezetett hidegvíz bejövő hőmérsékletét.
Lámpakijelzés: a piros világít, a zöld villog	A kimeneti érzékelő hibás (rövidzárlat).	Ellenőrizze és adott esetben cserélje ki a kimeneti érzékelőt.

14. Karbantartás



FIGYELMEZTETÉS Áramütés
Bármilyen munkavégzést megelőzően a készüléket összpólusúan le kell választani az elektromos hálózatról.

A készülék leürítése

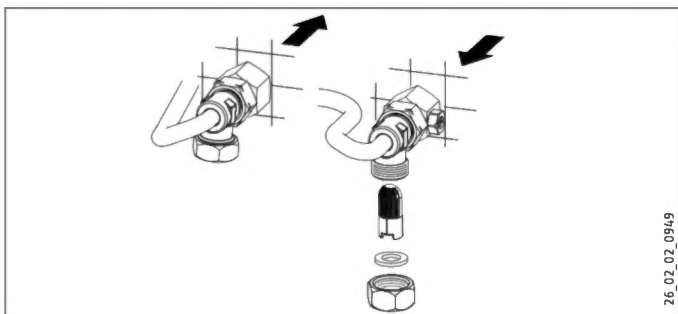
A készülék leürítése karbantartás céljából megengedett.



FIGYELMEZTETÉS Égési sérülés
Leürítéskor a készülékből forró víz léphet ki.

- ▶ Zárja el a kettős közcsavarban vagy a hidegvíz-bekötővezetékben található zárószelepet.
- ▶ Nyisson meg minden vízcsapot.
- ▶ Szerelje le a vízcsatlakozásokat a készülékről.
- ▶ A készüléket leszerelt állapotban is kizárólag fagymentes helyen tárolja, mivel a berendezésben maradó víz is károkat okozhat.

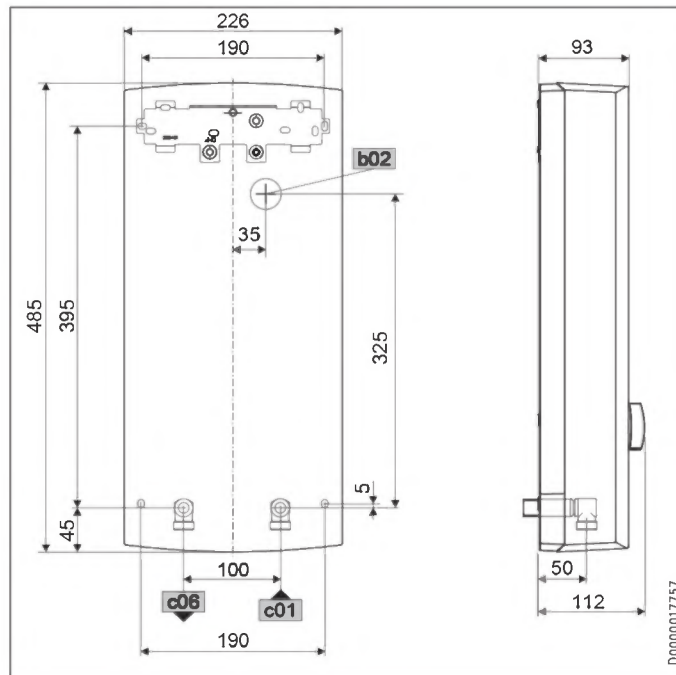
A szűrő tisztítása



Szennyeződés esetén tisztítsa meg a hidegvizes csavarzatban lévő szűrőt. A szűrő kiszereelését, tisztítását és visszaszerelését megelőzően zárja el a hidegvíz-bekötővezetékben található zárószelepet.

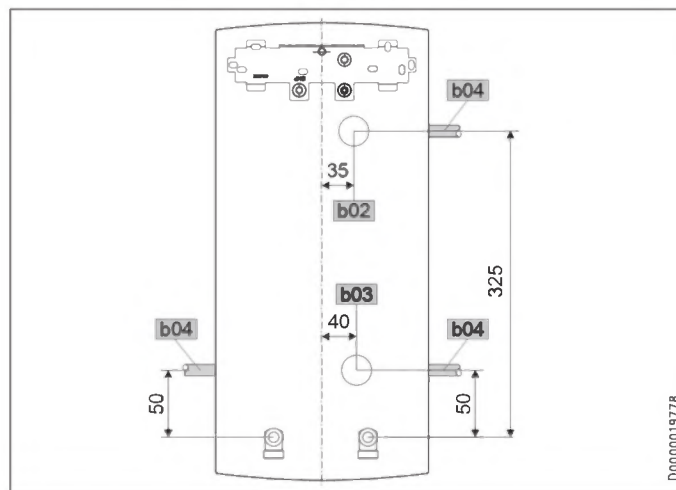
15. Műszaki adatok

15.1 Méretek és csatlakozások



b02	Elektr. vezetékek átvezetése I		
c01	Hidegvíz-bevezetés	külső menet	G 1/2 A
c06	Melegvíz-kivezetés	külső menet	G 1/2 A

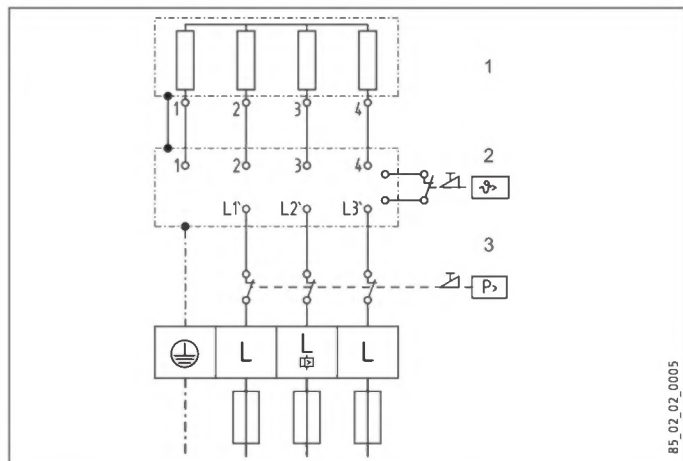
Alternatív csatlakozási lehetőségek



b02	Elektr. vezetékek átvezetése I		
b03	Elektr. vezetékek átvezetése II		
b04	Elektr. vezetékek átvezetése III		

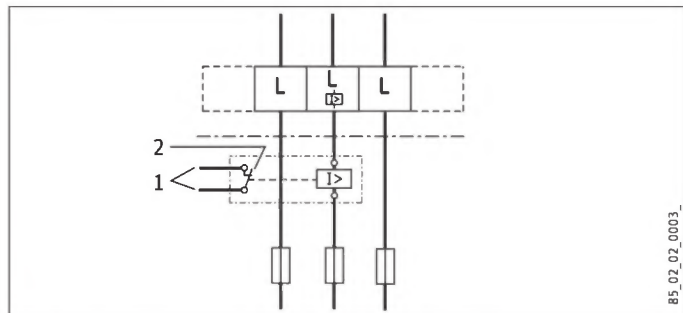
15.2 Villamos kapcsolási rajz

3/PE ~ 380-415 V



- 1 Fűtés
- 2 Biztonsági hőmérséklet-határoló
- 3 Biztonsági nyomáshatároló

Előnykapcsolás LR 1-A teherkapcsoló relével



- 1 A 2. készülék (pl. elektromos hőtárolós fűtőberendezés) megszakítójának vezérlőkábele.
- 2 Az átfolyó üzemű vízmelegítő bekapcsolásakor nyitó vezérlőérrintkező.

15.3 HMV-teljesítmény

A HMV-teljesítmény függ a csatlakoztatott hálózati feszültségtől, a készülék villamos teljesítményétől és a hidegvíz bejövő hőmérsékletétől. A névleges feszültség és a névleges teljesítmény értéke megtalálható a típustáblán (lásd a „Hibaelhárítás“ c. fejezetet).

A készülék villamos teljesítménye kW-ban			38 °C-os HMV-teljesítmény L/perc-ben.				
Névleges feszültség	Hidegvíz bejövő hőmérséklete			5 °C	10 °C	15 °C	20 °C
380 V	400 V	415 V	5 °C	10 °C	15 °C	20 °C	20 °C
16,2			7,0	8,3	10,1	12,9	
19			8,2	9,7	11,8	15,1	
21,7			9,4	11,1	13,5	17,2	
	18		7,8	9,2	11,2	14,3	
	21		9,1	10,7	13,0	16,7	
	24		10,4	12,2	14,9	19,0	
		19,4	8,4	9,9	12,0	15,4	
		22,6	9,8	11,5	14,0	17,9	
		25,8	11,2	13,2	16,0	20,5	

A készülék villamos teljesítménye kW-ban			50 °C-os HMV-teljesítmény L/perc-ben.				
Névleges feszültség	Hidegvíz bejövő hőmérséklete			5 °C	10 °C	15 °C	20 °C
380 V	400 V	415 V	5 °C	10 °C	15 °C	20 °C	20 °C
16,2			5,1	5,8	6,6	7,7	
19			6,0	6,8	7,8	9,0	
21,7			6,9	7,8	8,9	10,3	
	18		5,7	6,4	7,3	8,6	
	21		6,7	7,5	8,6	10,0	
	24		7,6	8,6	9,8	11,4	
		19,4	6,2	6,9	7,9	9,2	
		22,6	7,2	8,1	9,2	10,8	
		25,8	8,2	9,2	10,5	12,3	

15.4 Alkalmazási területek / átszámítási táblázatok

Fajlagos elektromos ellenállás és fajlagos elektromos vezetőképesség (lásd az „Adattábla“ c. fejezetet).

Szabványos érték 15 °C-on			20 °C			25 °C		
Ellenállás, $\rho \geq$	Vezetőképesség, $\sigma \leq$		Ellenállás, $\rho \geq$	Vezetőképesség, $\sigma \leq$		Ellenállás, $\rho \geq$	Vezetőképesség, $\sigma \leq$	
$\Omega \text{ cm}$	mS/m	$\mu\text{S/cm}$	$\Omega \text{ cm}$	mS/m	$\mu\text{S/cm}$	$\Omega \text{ cm}$	mS/m	$\mu\text{S/cm}$
900	111	1111	800	125	1250	735	136	1361
1000	100	1000	890	112	1124	815	123	1227
1200	83	833	1070	93	935	985	102	1015
1300	77	769	1175	85	851	1072	93	933

15.5 Nyomásveszteségek

Csaptetelek

Nyomásesés a csapteteleken 10 L/perc térfogatáram esetén		
Egykezes keverőcsap, kb.	MPa	0,04 - 0,08
Termosztikus csaptelep, kb.	MPa	0,03 - 0,05
Kézi zuhany, kb.	MPa	0,03 - 0,15

Csőhálózat méretezése

A csőhálózat méretezése esetén a készülék számára figyelembe veendő nyomásesés érték 0,1 MPa.

15.6 Üzemzavarok

Üzemzavar esetén a rendszerben rövid időre legfeljebb 95 °C-os hőmérséklet-túlterhelés léphet fel 1,2 MPa nyomás mellett.

15.7 Energiafogyasztási adatok

Termékadatlap: Hagyományos vízmelegítő a 812/2013/EU, illetve a 814/2013/EU rendelet előírásai szerint

	PEY 18/21/24
	233993
Gyártó	STIEBEL ELTRON
Terhelési profil	S
Energiahatékonysági osztály	A
Energetikai hatásfok	% 39
Éves villamosenergia-fogyasztás	kWh 477
Gyári hőmérséklet-beállítások	°C 60
Hangteljesítményszint	dB(A) 15
A hatékonyság mérésére vonatkozó különleges tudnivalók	Adatok Pmax. esetén
Napi villamosenergia-fogyasztás	kWh 2,198

15.8 Adattábla

		PEY 18/21/24 233993		
Elektromos adatok				
Névleges feszültség	V	380	400	415
Névleges teljesítmény	kW	16,2/19/21,7	18/21/24	19,4/22,6/25,8
Névleges áram	A	27,6/29,5/33,3	29/31/35	30,1/32,2/36,3
Biztosíték	A	32/32/35	32/32/35	32/32/40
Frekvencia	Hz	50/60	50/60	50/-
Fázisok				3/PE
Fajlagos ellenállás $\rho_{15} \geq (\vartheta_{\text{hidegvíz}} \leq 25 \text{ °C}$ esetén)	$\Omega \text{ cm}$	900	900	1000
Fajlagos vezetőképesség $\sigma_{15} \leq (\vartheta_{\text{hidegvíz}} \leq 25 \text{ °C}$ esetén)	$\mu\text{S/cm}$	1111	1111	1000
Fajlagos ellenállás $\rho_{15} \geq (\vartheta_{\text{hidegvíz}} \leq 45 \text{ °C}$ esetén)	$\Omega \text{ cm}$	1200	1200	1300
Fajlagos vezetőképesség $\sigma_{15} \leq (\vartheta_{\text{hidegvíz}} \leq 45 \text{ °C}$ esetén)	$\mu\text{S/cm}$	833	833	770
Max. hálózati impedancia 50 Hz esetén	Ω	0,284	0,270	0,260
Kivitelek				
Fűtésrendszer hőtermelő				csupaszdrót
Szigetelőblokk				műanyag
Választható csatlakozási teljesítmény				X
Hőmérséklet-beállítás	°C			kb 30-60
Sapka és hátlap				műanyag
Védettség (IP)				IP 25
Szín				fehér
Csatlakozók				
Vízcsatlakozás				G 1/2 A
Alkalmazási határértékek				
Max. megengedett nyomás	MPa			1
Max. bejövő hőmérséklet utólagos felmelegítéshez	°C			45
Értékek				
Max. megengedett bejövő hőmérséklet	°C			60
Be	l/perc			>3
Térfogatáram adott nyomásezés esetén	l/perc			5,2/6,0/6,9
Nyomásveszteség adott térfogatáram esetén	MPa	0,08/0,10/0,13	(0,06/0,08/0,10, DMB nélkül)	
Térfogatáram korlátozása a következő értéknél:	l/perc			8,0
Melegvíz-teljesítmény	l/perc			9,4/11,0/12,6
$\Delta\vartheta$ a fenti kapacitás esetén	K			26
Hidraulikai adatok				
Névleges úrtartalom	l			0,4
Méreték				
Magasság	mm			485
Szélesség	mm			226
Mélység	mm			93
Tömeg adatok				
Tömeg	kg			3,6



Tudnivaló

A készülék megfelel az IEC 61000-3-12 előírásainak.

Garancia

A Németországon kívül vásárolt készülékekre nem érvényesek cégünk németországi vállalatának garanciális feltételei. Az olyan országokban, amelyekben termékeinket egy leányvállalatunk terjeszti, a garanciát elsősorban a leányvállalatunk biztosítja. Garancia csak akkor nyújtható, ha az adott leányvállalat kiadta saját garanciális feltételeit. Azon felül semmilyen garanciát nem nyújtunk.

Az olyan készülékekre nem tudunk garanciát biztosítani, amelyek olyan országokban vásároltak meg, amelyekben nincs leányvállalatunk. Ezek a rendelkezések nem érintik az importőr által biztosított esetleges garanciát.

Környezetvédelem és újrahasznosítás

Kérjük, segítsen a környezet védelmében. Használat után az anyagokat a helyi hatósági előírások szerint kell hulladékba juttatni.

POSEBNE NAPOMENE

RUKOVANJE

1. Opšte napomene	63
1.1 Bezbednosne napomene	63
1.2 Druga označavanja u ovoj dokumentaciji	64
1.3 Merne jedinice	64
2. Bezbednost	64
2.1 Svrishodna upotreba	64
2.2 Opšte bezbednosne napomene	64
2.3 Kontrolni znak	64
3. Opis uređaja	64
4. Podešavanje	65
4.1 Preporuke za podešavanje	65
5. Čišćenje, nega i održavanje	65
6. Rešavanje problema	65

INSTALACIJA

7. Bezbednost	66
7.1 Opšte bezbednosne napomene	66
7.2 Pogon tuša	66
7.3 Propisi, norme i odredbe	66
8. Opis uređaja	66
8.1 Obim isporuke	66
9. Pripreme	66
9.1 Mesto za montažu	66
9.2 Vodoinstalacija	67
10. Montaža	67
10.1 Standardna montaža	67
10.2 Alternative za montažu	70
10.3 Kraj montaže	72
11. Puštanje u rad	72
11.1 Prvo puštanje u rad	72
11.2 Ponovno puštanje u rad	73
12. Stavljanje van pogona	73
13. Uklanjanje smetnji	73
14. Održavanje	74
15. Tehnički podaci	74
15.1 Mere i priključci	74
15.2 Električni plan priključivanja	75
15.3 Efekat tople vode	75
15.4 Oblasti primene / Tabela za preračunavanje	75
15.5 Gubici pritiska	75
15.6 Postupanje u slučaju smetnje	75
15.7 Podaci o potrošnji energije	75
15.8 Tabela sa podacima	76

GARANCIJA

OKOLINA I RECIKLAŽA

POSEBNE NAPOMENE

- Uređaj mogu da koriste deca od 3 godine pa naviše, kao i osobe sa smanjenim fizičkim, senzorskim ili mentalnim sposobnostima ili osobe koje nemaju dovoljno iskustva i znanja, kada su pod nadzorom ili kada su obučene po pitanju sigurne upotrebe uređaja i kada su shvatile opasnosti koje proizlaze iz toga. Deca ne smeju da se igraju sa uređajem. Deca bez nadzora ne smeju da izvode čišćenje i održavanje koje inače izvodi korisnik.
- Armatura može da primi temperaturu do najviše 60 °C. Kada je izlazna temperatura veća od 43 °C, postoji opasnost od opekotina.
- Ovaj uređaj je podesan za snabdevanje tuša (pogon tuša). Kada se uređaj koristi takođe i za pogon tuša ili isključivo i samo za pogon tuša, kvalifikovani majstor mora aktivirati područje podešavanja temperature u uređaju preko ograničenja temperature (Tred = 55 °C). Kod korišćenja unapred zagrejjane vode ni u kom slučaju ne sme da se prekorači dovodna temperatura od 55 °C.
- Uređaj izolacijom mora da bude udaljen najmanje 3 mm od svih polova mrežnog priključka.
- Navedeni napon mora da se podudara sa mrežnim naponom.
- Uređaj mora da se priključi na zaštitni vodič.
- Uređaj trajno mora da bude priključen na fiksno ožičenje.
- Učvrstite uređaj kao što je opisano u poglavlju "Instalacija / Montaža".
- Imajte na umu maksimalno dozvoljeni pritisak (pogledajte poglavlje "Instalacija / Tehnički podaci / Tabela sa podacima").

- Ne sme da se padne ispod donje granica specifičnog otpora vode mreže za vodosnabdevanje (pogledajte poglavlje "Instalacija / Tehnički podaci / Tabela sa podacima").
- Ispraznite uređaj kao što je opisano u poglavlju "Instalacija / Održavanje / Pražnjenje uređaja".

RUKOVANJE

1. Opšte napomene

Poglavlja "Posebne napomene" i "Rukovanje" namenjena su korisniku uređaja i kvalifikovanom majstoru.

Poglavlje "Instalacija" je namenjeno kvalifikovanom majstoru.



Napomena

Pažljivo pročitajte ovo uputstvo pre upotrebe i sačuvajte ga.
Po potrebi predajte uputstvo sledećem korisniku.

1.1 Bezbednosne napomene

1.1.1 Struktura bezbednosnih napomena



SIGNALNA REČ Vrsta opasnosti

Ovde su nabrojane moguće posledice koje nastaju ako se ne pridržavate bezbednosne napomene.

► Ovde su mere za odbranu od opasnosti.

1.1.2 Simboli, vrsta opasnosti

Simbol	Vrsta opasnosti
	Povreda
	Strujni udar
	Opekotina (Opekotina, povreda vreloom vodom)

1.1.3 Signalne reči

SIGNALNA REČ	Značenje
OPASNOST	Napomene čije nepridržavanje za posledicu ima teške povrede ili smrt.
UPOZORENJE	Napomene čije nepridržavanje za posledicu može imati teške povrede ili smrt.
OPREZ	Napomene čije nepridržavanje može dovesti do srednje teških ili lakih povreda.

1.2 Druga označavanja u ovoj dokumentaciji



Napomena

Opšte napomene su označene ovim simbolom.
▶ Pažljivo pročitajte tekstove napomena.

Simbol	Značenje
	Materijana šteta (šteta na uređaju, posledična šteta, šteta za okolinu)
	Odlaganje uređaja

▶ Ovaj signal Vam pokazuje da nešto treba da uradite. Potrebne radnje su opisane korak po korak.

1.3 Merne jedinice



Napomena

Ako nije drugačije navedeno sve mere su predstavljene u milimetrima.

2. Bezbednost

2.1 Svrishodna upotreba

Uređaj pod pritiskom služi za grejanje pijaće vode ili za naknadno grejanje predhodno zagrejene vode. Uređaj može da snabdeva jedno ili više mesta ispuštanja vode.

Uređaj je predviđen da se koristi u kućnom ambijentu. Osoba koja nije dobro upućena neće moći na siguran način da rukuje uređajem. U ambijentu koji nije kućni, npr. u malom preduzeću, uređaj se takođe može koristiti ako se korišćenje odvija na isti način.

Drugačije korišćenje ili korišćenje koje izlazi iz ovih okvira smatra se nesvrishodnim. U svrishodnu upotrebu spada i uzimanje u obzir ovog uputstva, kao i uputstava za korišćeni pribor.

2.2 Opšte bezbednosne napomene



OPREZ Opekotina

Armatura može da primi temperaturu do najviše 60 °C. Kada je izlazna temperatura veća od 43 °C, postoji opasnost od opekotina.



OPREZ Opekotina

Temperatura tople vode u režimu rada sa predhodno zagrejanom vodom, npr. solarnim uređajem, može da odstupa od podešene zadate temperature.



UPOZORENJE Povreda

Uređaj mogu da koriste deca od 3 godina pa naviše, kao i osobe sa smanjenim psihičkim, senzorskim ili mentalnim sposobnostima ili osobe koje nemaju dovoljno iskustva i znanja, kada su pod nadzorom ili kada su obučeni po pitanju sigurne upotrebe uređaja i kada su shvatili opasnosti koje proizlaze iz toga. Deca ne smeju da se igraju sa uređajem. Deca bez nadzora ne smeju da izvode čišćenje i održavanje koje inače izvodi korisnik.

U slučaju da uređaj koriste deca ili osobe sa ograničenim fizičkim, senzorskim ili duševnim sposobnostima preporučujemo trajno ograničenje temperature. Ograničenje može da Vam podesi kvalifikovani majstor.



Materijana šteta

Korisnik treba da zaštiti uređaj i armaturu od smrzavanja.

2.3 Kontrolni znak

Pogledajte pločicu sa oznakom tipa na uređaju.

3. Opis uređaja

Elektronski regulisan protočni grejač sa automatskim podešavanjem snage održava konstantnom izlaznu temperaturu do granice opterećenja. Posle toga se temperatura bira preko odvodne armature.

Temperatura tople vode

Izlaznu temperaturu tople vode možete kontinualno podešavati.

Interno ograničenje temperature (kvalifikovani majstor)

Po želji kvalifikovani majstor može aktivirati trajno ograničenje temperature.

Kod snabdevanja tuša kvalifikovani majstor mora aktivirati ograničenje temperature.

Grejni sistem

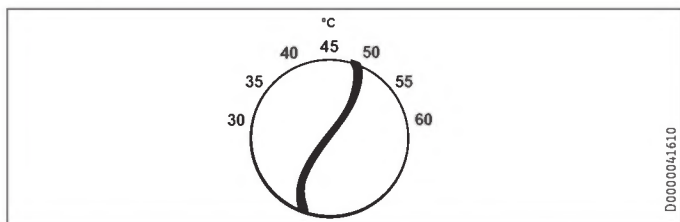
Grejni sistem sa neizolovanom žicom ima hermetičnu plastičnu oblogu. Grejni sistem je namenjen za vodu u kojoj nema kamenca kao i vodu u kojoj ima kamenca i veoma je otporan na taloženje kamenca. Grejni sistem omogućava brzo i efikasno snabdevanje toplom vodom.



Napomena

Uređaj je opremljen sistemom za prepoznavanje vazduha koji u velikoj meri sprečava oštećenje grejnog sistema. Ako vazduh tokom rada dospe u uređaj, isključiće se grejač na jedan minut i time će zaštititi grejni sistem.

4. Podešavanja



- ▶ Okrenite dugme za podešavanje u željeni položaj.

Ako se ne dostigne dovoljna izlazna temperatura kad je armatura potpuno otvorena i kada je temperatura podešena na maksimalan nivo, kroz uređaj teče više vode nego što radiator može da zagreje.

- ▶ Smanjite količinu protoka na armaturi.

4.1 Preporuke za podešavanje

Vaš protočni grejač obezbeđuje maks. tačnost i maks. komfor kod pripreme tople vode. Ako ipak treba da koristite uređaj sa termostatskom armaturom, mi preporučujemo sledeće:

- ▶ Podesite temperaturu na uređaju na maksimalan nivo. Zatim željenu zadatu temperaturu podesite na termostatskoj armaturi.

Štednja energije

Najmanje energije potrebno vam je kod sledećih podešavanja koja mi preporučujemo:

- 38 °C za lavabo za pranje ruku, tuš, kadu
- 55 °C za kuhinjsku sudoperu

Preporuka za podešavanje kod pogona sa jednom termostatskom slavinom i unapred solarno zagrejanom vodom

- ▶ Podesite temperaturu na uređaju na maksimalan nivo.

Nakon prekida snabdevanja vodom



Materijana šteta

Da se grejni sistem sa neizolovanom žicom nakon prekida snabdevanja vodom ne bi uništio, uređaj mora ponovo da se pusti u rad na način koji je opisan u sledećim koracima.

- ▶ Isključite napon uređaja tako što ćete da isključite osigurače.
- ▶ Otvorite armaturu na minut dok se uređaj i prethodno uključeni dovodni cevovod hladne vode ne oslobode vazduha.
- ▶ Ponovo uključite mrežni napon.

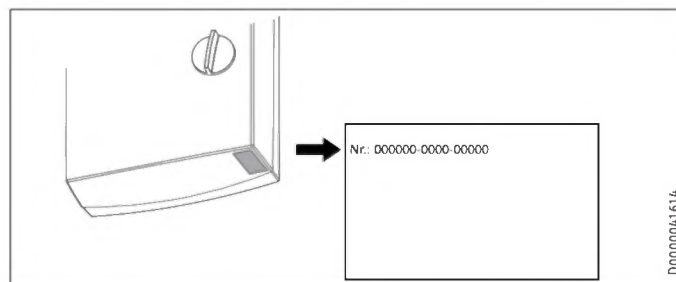
5. Čišćenje, nega i održavanje

- ▶ Ne koristite abrazivna sredstva za čišćenje ili sredstva koja se rastvaraju. Za negu i održavanje uređaja dovoljna je vlažna krpa.
- ▶ Redovno kontrolišite armature. Kamenac na izlazima armatura možete da uklonite običnim sredstvom za uklanjanje kamenca.

6. Rešavanje problema

Problem	Uzrok	Rešenje
Uređaj se ne uključuje iako je ventil za toplu vodu potpuno otvoren.	Nema napona.	Proverite osigurače u kućnoj instalaciji.
Željena temperatura > 45 °C ne može da se dostigne.	Količina protoka je isuviše niska. Na regulatoru mlaza na armaturi ili na dugmetu prskalice se uhvatio kamenac ili su ti delovi zaprljani.	Očistite i /ili odstranite kamenac sa regulatora mlaza ili dugmeta prskalice.
	Prekinuto snabdevanje vodom.	Oslobodite vazduh iz uređaja i dovoda hladne vode (pogledajte poglavlje "Podešavanja").
	Ulazna temperatura hladne vode je > 45 °C.	Smanjite ulaznu temperaturu hladne vode.

Ako ne možete da rešite problem, pozovite kvalifikovanog majstora. U cilju bolje i brže pomoći saopštite mu broj sa pločice sa oznakom tipa (000000-0000-00000):



INSTALACIJA

7. Bezbednost

Instalaciju, puštanje u rad, kao i održavanje i popravku uređaja sme da vrši samo kvalifikovani majstor.

7.1 Opšte bezbednosne napomene

Besprekorno funkcionisanje i sigurnost u radu garantujemo samo onda kada se na uređaju koriste originalni pribor i originalni rezervni delovi.



Materijana šteta

Vodite računa o maksimalnoj ulaznoj temperaturi. Na višim temperaturama uređaj može da se ošteti. Ugradnjom centralne termostatske armature možete da ograničite maksimalnu ulaznu temperaturu.



UPOZORENJE Strujni udar

Ovaj uređaj sadrži kondenzatore koji se prazne nakon odvajanja od strujne mreže. Napon pražnjenja kondenzatora po potr. kratkotrajno može da bude > 60 V DC.

7.2 Pogon tuša



OPREZ Opekotina

► Kod snabdevanja tuša podesite ograničenje temperature na "Tred", pogledajte poglavlje "Alternative za montažu / Ograničenje temperature".



OPREZ Opekotina

Kod snabdevanja uređaja prethodno zagrejanom vodom obratite pažnju na sledeću napomenu: Interno podesivo ograničenje temperature event. će biti prekoračeno.

► Ograničite temperaturu na prethodno priključenoj centralnoj termostatskoj armaturi.

7.3 Propisi, norme i odredbe



Napomena

Poštujte sve nacionalne i regionalne propise i odredbe.

- Vrsta zaštite IP 25 (zaštićeno od mlaza vode) je garantovana samo sa pravilno montiranim naglavkom kabla.
- Specifični električni otpor vode ne sme da bude manji od otpora navedenog na pločici sa oznakom tipa. Treba da uzmete u obzir najniži električni otpor vode na električnoj mreži (pogledajte poglavlje "Tehnički podaci / Oblasti korišćenja / Tabela za preračunavanje"). Specifični električni otpor ili električnu provodljivost vode možete saznati od Vašeg vodosnabdevača.

8. Opis uređaja

8.1 Obim isporuke

Sa uređajem se isporučuje:

- Zidni držač
- Zavrtanj sa navojem za zidni držač
- Šablon za montažu
- 2 dupla fittinga (hladna voda sa ventilom za zatvaranje)
- Ravni zaptivači
- Naglavak kabla (električni dovod gore / dole)
- Šrafovi / tiplovi za učvršćivanje pozadine kod vodo-priključka na zidu

Za zamenu uređaja:

- 2 produžetka za slavinu

9. Pripreme

9.1 Mesto za montažu

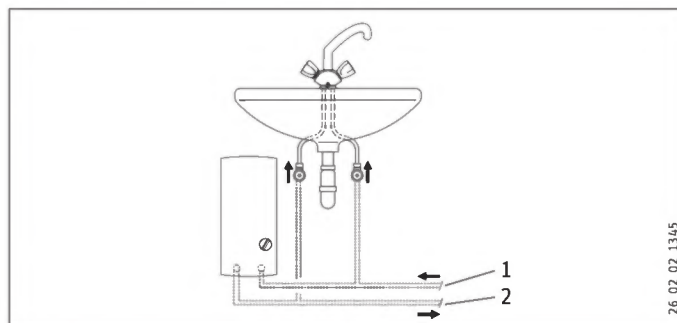


Materijana šteta

Instalacija uređaja sme da se izvrši samo u prostoriji gde nema mraza.

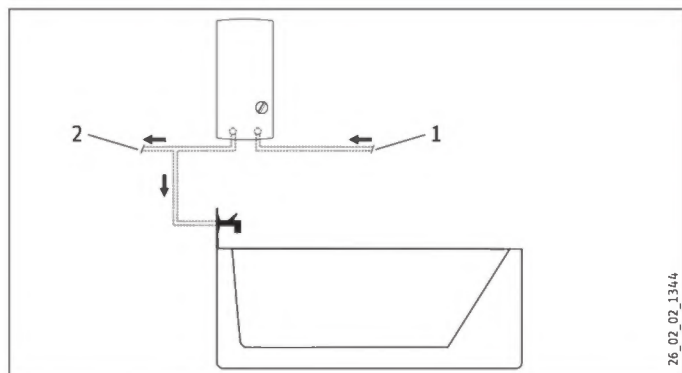
- Montirajte uređaj uspravno i u blizini mesta ispuštanja vode. Uređaj je podesan za montažu ispod i iznad stola.

Montaža ispod stola



- 1 Dovod hladne vode
- 2 Izlaz tople vode

Montaža iznad stola



- 1 Dovod hladne vode
2 Izlaz tople vode



Napomena

- ▶ Montirajte uređaj na zid. Zid mora da ima dovoljnu nosivost.

9.2 Vodoinstalacija

- Sigurnosni ventil nije neophodan.
- Sigurnosni ventili u sistemu vodovoda tople vode nisu dozvoljeni.
- ▶ Dobro isperite sistem vodovoda.
- ▶ Obezbedite da se postigne količina protoka za uključenje uređaja (pogledajte poglavlje "Tehnički podaci / Tabela sa podacima"). Ako se količina protoka ne postigne, skinite graničnik količine proticanja (pogledajte poglavlje "Montaža / Skidanje graničnika količine proticanja").
- ▶ Kad je potpuno otvoren odvodni ventil povećajte pritisak u sistemu vodovoda ako se ne postigne potrebna količina protoka.

Armature

Koristite podesne armature pod pritiskom. Otvorene armature nisu dozvoljene.



Napomena

- Ne smete koristiti ventil za zatvaranje u dovodu hladne vode za prigušivanje protoka. On služi za blokadu uređaja.

Dozvoljeni materijali sistema vodovoda

- Dovodni cevovod hladne vode:
vruće pocinkovana čelična cev, cev od plemenitog čelika, bakarna cev ili plastična cev
- Izlazni vod tople vode:
Cev od plemenitog čelika, bakarna cev ili plastična cev



Materijana šteta

- Prilikom korišćenja sistema plastičnih cevi vodite računa o maksimalnoj dovodnoj temperaturi i maksimalno dozvoljenom pritisku (pogledajte poglavlje "Tehnički podaci / Tabela sa podacima").

Fleksibilni vodovodni priključci

- ▶ Prilikom instalacije pomoću fleksibilnih vodovodnih priključaka sprečite uvijanje kolena cevi vezom u obliku bajoneta.
- ▶ Učvrstite pozadinu dole sa dva dodatna šrafa.

10. Montaža

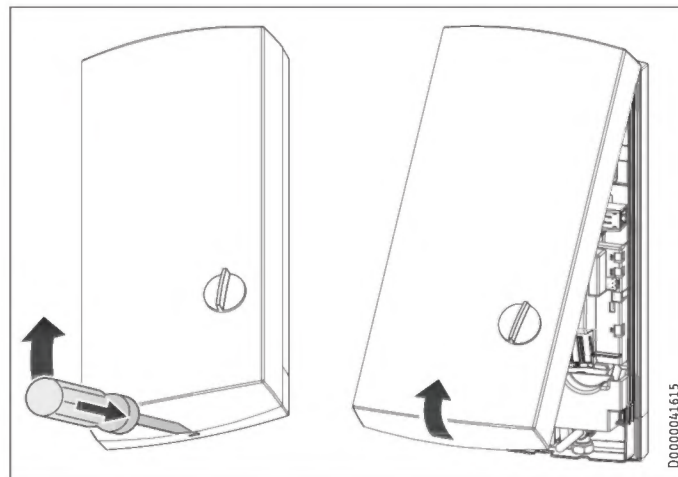
10.1 Standardna montaža

- Elektro-priključak gore, instalacija u zidu
- Vodo-priključak instalacija u zidu
- unapred podešena srednja priključna snaga

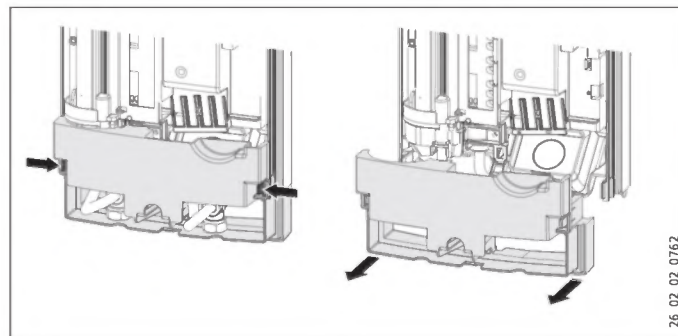
Za dalje mogućnosti montaže pogledajte poglavlje "Alternative za montažu":

- Elektro-priključak u zidu dole
- Elektro-priključak na zidu
- Priključak releja za rasterećenje
- Vodo-instalacija na zidu
- Vodo-priključak u zidu prilikom zamene uređaja
- Pogon sa prethodno zagrejanom vodom
- Ograničenje temperature

Otvaranje uređaja



- ▶ Otvorite uređaj tako što ćete otključati uskočni zatvarač.

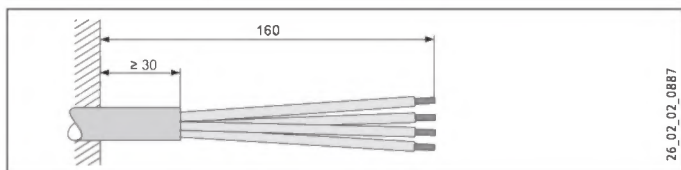


- ▶ Odvojite pozadinu tako što ćete pritisnuti obe uskočne kukice i povući napred donji deo pozadine.

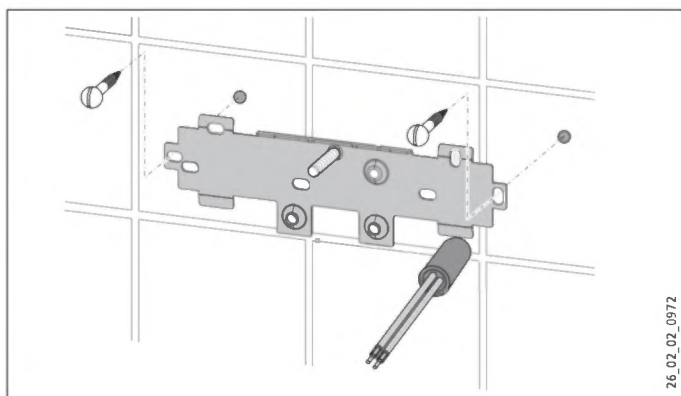
INSTALACIJA

Montaža

Priprema mrežnog priključnog kabla

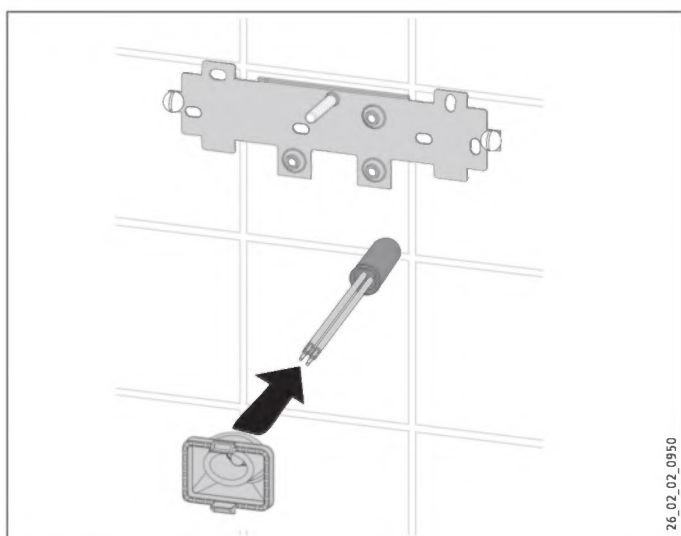


Montaža zidnog držača



- ▶ Označite rupe za bušenje pomoću šablona za montažu. Prilikom montaže vodo-priključaka koji su postavljeni na zid moraćete dodatno da označite rupe za učvršćivanje na donjem delu šablona.
- ▶ Izbušite rupe i učvrstite zidni držač sa 2 šrafa i 2 tipla (šrafovi i tiplovi ne spadaju u obim isporuke).
- ▶ Montirajte priložene zavrtnje sa navojem.
- ▶ Montirajte zidni držač.

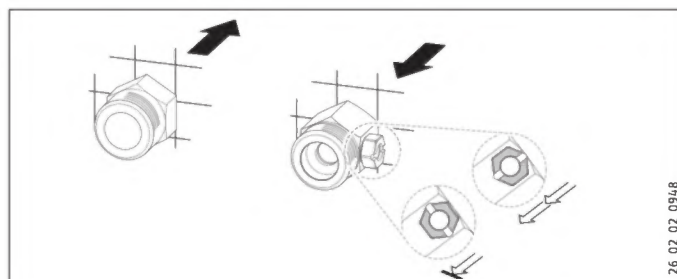
Montaža naglavka kabla



- ▶ Montirajte naglavak kabla. Ako je priključni kabl $> 6 \text{ mm}^2$ moraćete da povećate rupu u naglavku kabla.

Uspostavljanje priključka za vodu

- ! **Materijana šteta**
Sve radove vezane za priključak i instalaciju vode izvodite prema propisima.

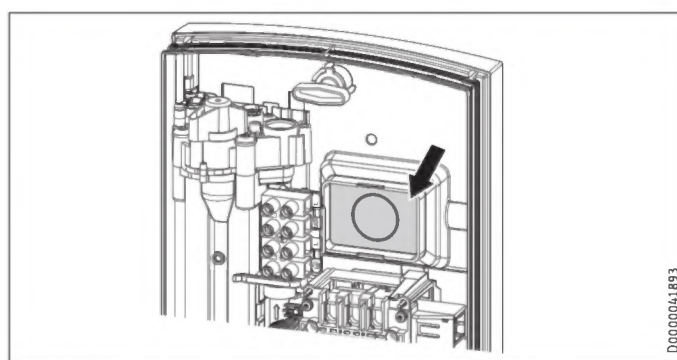


- ▶ Zaptijte i zašrafite duple fittinge.

- ! **Materijana šteta**
Ne smete koristiti ventil za zatvaranje u dovodu hladne vode za prigušivanje protoka.

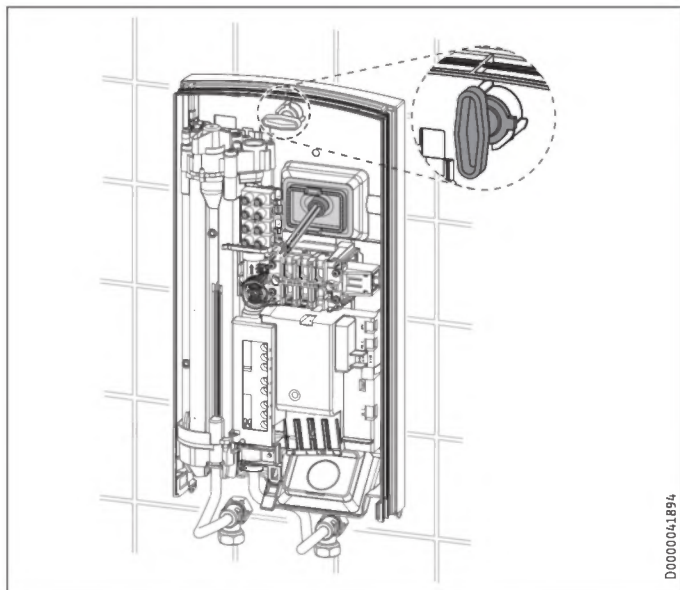
Priprema pozadine

- ! **Materijana šteta**
Ako ste slučajno napravili pogrešnu rupu u pozadini, moraćete da koristite novu pozadinu.



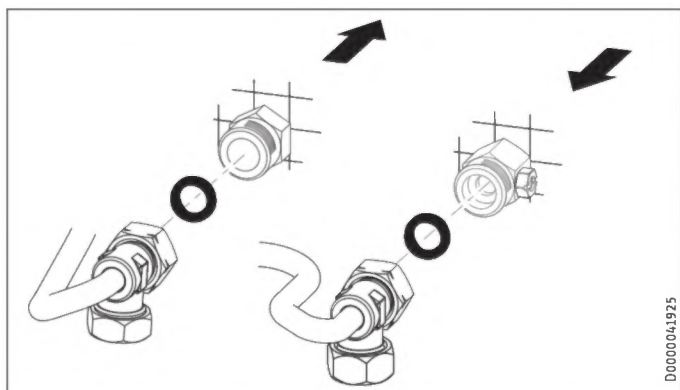
- ▶ Probijte predviđeno mesto za rupu za naglavak kabla na pozadini. Ako je potrebno turpijom obradite oštre ivice.

Montaža uređaja



D0000041894

- ▶ Udenite pozadinu preko zavrtnja sa navojem i naglavka kabla. Pomoću klešta vucite naglavak kabla na uskočne kukice dok obe uskočne kukice čujno ne ulegnu na svoja ležišta.
- ▶ Uklonite utikače za zaštitu kod transporta sa priključaka za vodu.
- ▶ Čvrsto pritisnite pozadinu i zatvorite polugu za fiksiranje tako što ćete je okrenuti na desno za 90°.



D0000041925

- ▶ Zašrafite cevi za priključak vode sa ravnim zaptivačima na duple fitinge.



Materijana šteta

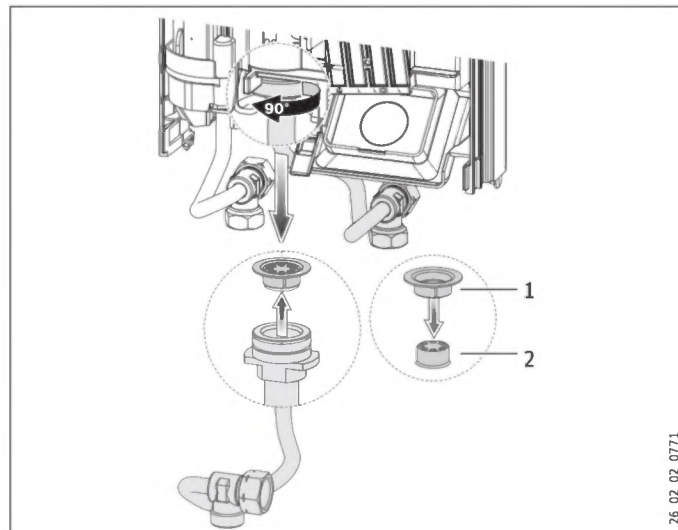
- Da bi uređaj funkcionisao, u njega se mora ugraditi sito.
- ▶ Prilikom zamene uređaja proverite da li je sito tu (pogledajte poglavlje "Održavanje").

Skidanje graničnika količine proticanja



Materijana šteta

- Kada koristite termostatsku armaturu ne smete da skidate graničnik količine proticanja.



26_02_02_0771

- 1 Plastični šablonski disk
 - 2 Graničnik količine proticanja
- ▶ Skinite graničnik količine proticanja i ponovo postavite plastični šablonski disk.

Uspostavljanje elektro-priključka



UPOZORENJE Strujni udar

- Sve radove po pitanju električnog vodopriključenja i instalacije izvodite prema propisima.



UPOZORENJE Strujni udar

- Priključak na strujnu mrežu je dozvoljen samo kao stabilan priključak u kombinaciji sa naglavkom kabla koji može da se vadi. Uređaj izolacijom mora da bude udaljen najmanje 3 mm od svih polova mrežnog priključka.



UPOZORENJE Strujni udar

- Vodite računa o tome da uređaj mora biti priključen na zaštitni vodič.



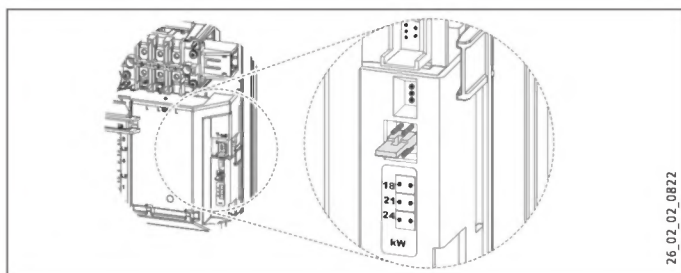
Materijana šteta

- Vodite računa o pločici sa oznakom tipa. Navedeni napon mora da se podudara sa mrežnim naponom.

- ▶ Priključite kabl za elektro-priključak na stezaljku mrežnog priključka (pogledajte poglavlje "Tehnički podaci / Plan elektro-priključka").

Promena utikača za kodiranje

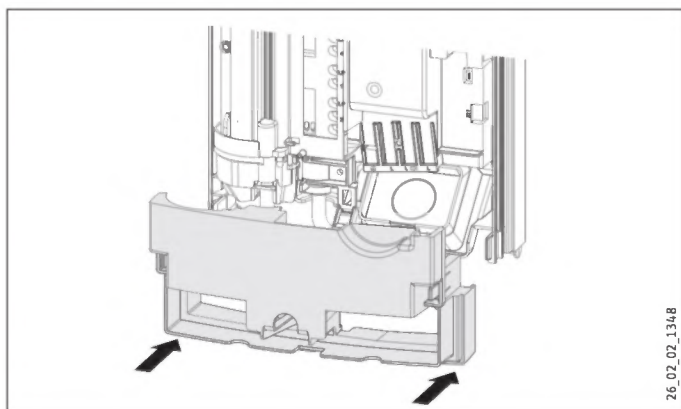
Prilikom isporuke uređaj je podešen na 21 kW. Prilikom prebacivanja na drugu priključnu snagu morate da preduzmete sledeće korake:



26_02_02_08122

- ▶ Promenite utikač za kodiranje shodno izabranoj priključnoj snazi (izmenjive priključne vodove i zaštitu uređaja pogledajte u poglavlju "Tehnički podaci / Tabela sa podacima").
- ▶ Zaokružite izabrani priključni vod na pločici sa oznakom tipa. U tu svrhu koristite hemijsku olovku.

Montaža donjeg dela pozadine

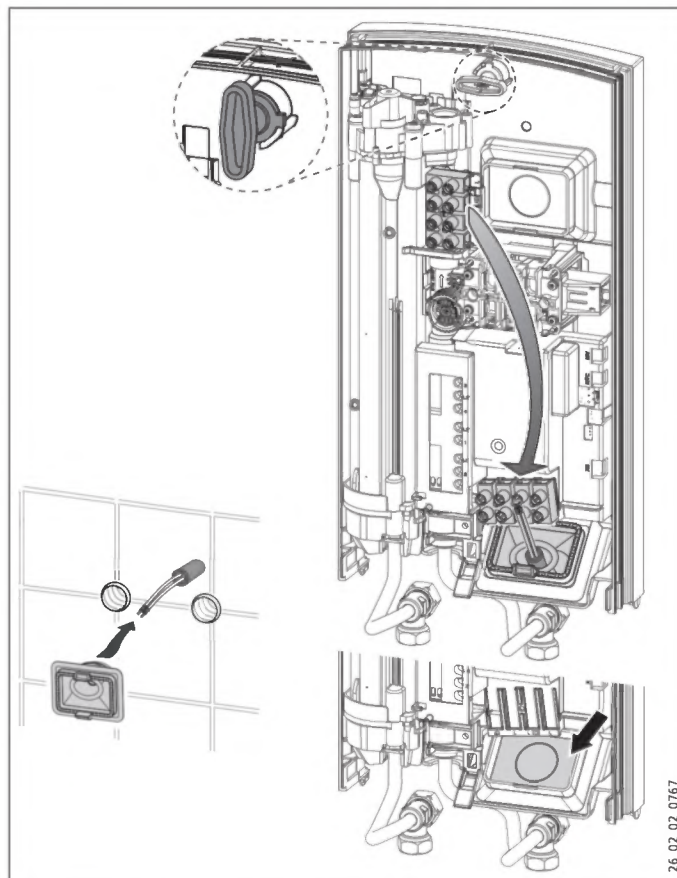


26_02_02_13448

- ▶ Montirajte donji deo pozadine na pozadinu i ubacite donji deo pozadine u ležište.
- ▶ Ispravite montirani uređaj tako što ćete otpustiti polugu za fiksiranje, ispravite elektro-priključak i pozadinu i ponovo čvrsto zavrtnite polugu za fiksiranje. Ako pozadina uređaja ne ulegne, možete da učvrstite uređaj dole pomoću dva dodatna šrafa.

10.2 Alternative za montažu

10.2.1 Elektro-priključak u zidu dole



26_02_02_07167

- ▶ Montirajte naglavak kabla.



Materijana šteta

Ako ste slučajno napravili pogrešnu rupu u pozadini, moraćete da koristite novu pozadinu.

- ▶ Probijte predviđeno mesto za rupu za naglavak kabla na pozadini. Ako je potrebno turpijom obradite oštre ivice.
- ▶ Premestite stezaljku mrežnog priključka na uređaju odozgo na dole.
- ▶ Udenite pozadinu preko zavrtnja sa navojem i naglavka kabla. Pomoću klešta vucite naglavak kabla na uskočne kukice dok obe uskočne kukice čujno ne ulegnu na svoja ležišta.
- ▶ Čvrsto pritisnite pozadinu i zatvorite polugu za fiksiranje tako što ćete je okrenuti na desno za 90°.

10.2.2 Elektro-priključak na zidu



Napomena

Kod ovog načina priključivanja menja se i vrsta zaštite uređaja.

- ▶ Promenite pločicu sa oznakom tipa. Precrtajte podatak IP 25 i zaokružite kvadratić IP 24. U tu svrhu koristite hemijsku olovku.



Materijana šteta

Ako ste slučajno napravili pogrešnu rupu u pozadini, moraćete da koristite novu pozadinu.

- ▶ Isecite ili probijte potrebni otvor na pozadini (pozicije pogledajte u poglavlju "Tehnički podaci / Mere i priključci"). Ako je potrebno turpijom obradite oštre ivice.
- ▶ Sprovedite kabl za elektro-priključak kroz naglavak kabla i priključite ga na stezaljku mrežnog priključka.

10.2.3 Priključak releja za rasterećenje

U cilju distribucije električne energije koristite relej za rasterećenje u kombinaciji sa drugim elektro-uređajima, npr. grejnim elektro-uređajima sa rezervoarom. Rasterećenje je aktivno kada radi protočni grejač.



Materijana šteta

Priključite fazu koja uključuje relej za rasterećenje na označenu stezaljku mrežnog priključka na uređaju (pogledajte poglavlje "Tehnički podaci / Plan elektropriključivanja").

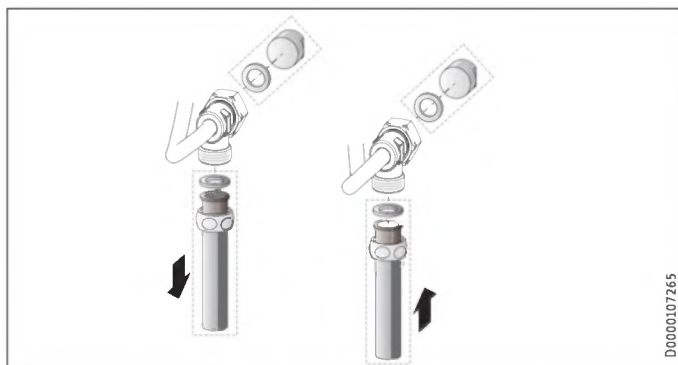
10.2.4 Vodo-instalacija na zidu



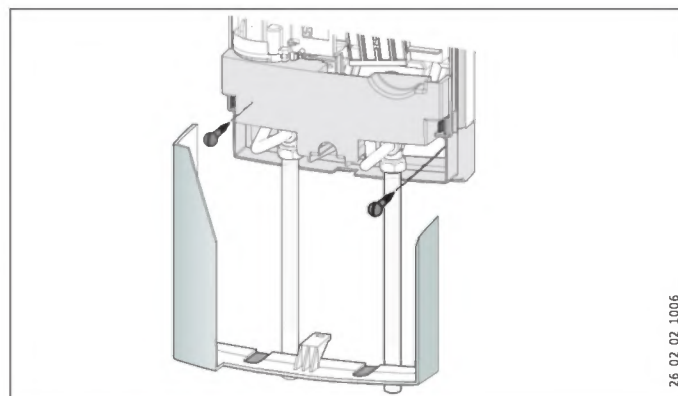
Napomena

Kod ovog načina priključivanja menja se i vrsta zaštite uređaja.

- ▶ Promenite pločicu sa oznakom tipa. Precrtajte podatak IP 25 i zaokružite kvadratić IP 24. U tu svrhu koristite hemijsku olovku.



- ▶ Montirajte vodene čepove sa zaptivačima da biste zatvorili priključak u zidu.
- ▶ Montirajte podesnu armaturu za pritisak.



- ▶ Učvrstite pozadinu dole sa dva dodatna šrafa.
- ▶ Gurnite donji deo pozadine ispod priključne cevi armature i ubacite donji deo pozadine u ležište.
- ▶ Zašrafite priključne cevi sa uređajem.



Materijana šteta

Ako ste slučajno napravili pogrešnu rupu na poklopcu uređaja, moraćete da koristite novi poklopac uređaja.

- ▶ Probijte otvore u poklopcu uređaja. Ako je potrebno turpijom obradite oštre ivice.

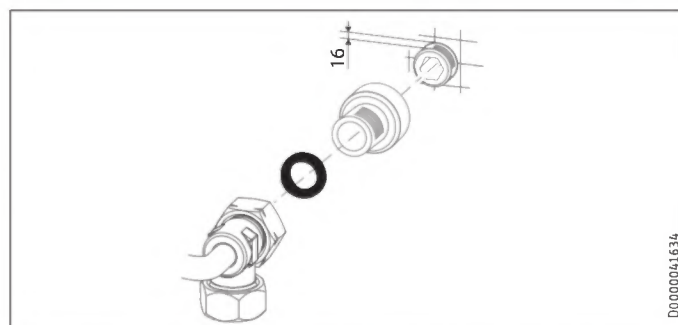
10.2.5 Vodo-instalacija u zidu prilikom zamene uređaja

Ako postojeći dupli fitinzi starog uređaja štrče samo oko 16 mm iz zida, nećete moći koristiti isporučene duple fitinge.



Napomena

Kod ovog priključka zatvaranje dovoda hladne vode je moguće samo u kućnoj instalaciji.



- ▶ Zaptijte i zašrafite isporučene produžetke za slavinu.
- ▶ Priključite uređaj.

10.2.6 Pogon sa prethodno zagrejanom vodom

Ugradnjom centralne termostatske armature ograničava se maksimalna dovodna temperatura.

INSTALACIJA

Puštanje u rad

10.2.7 Ograničenje temperature

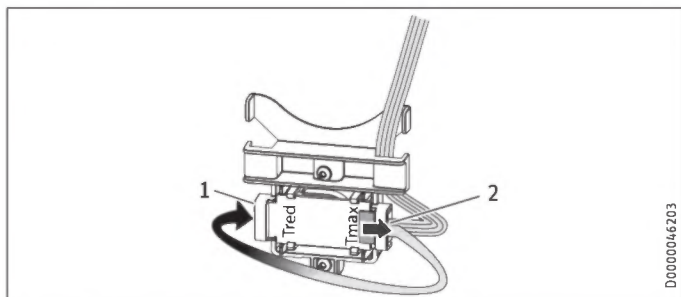


OPREZ Opekotina

U režimu rada sa predhodno zagrejanom vodom podešeno ograničenje temperature može biti neefikasno.

- ▶ U ovom slučaju ograničite temperaturu na predhodno priključenoj centralnoj termostatskoj armaturi.

Ograničenje temperature možete da podesite unutra u poklopcu uređaja.



- 1 Pozicija "Tred" (55 °C): Ograničenje temperature
- 2 Pozicija "Tmax": nema ograničenja temperature, za područje podešavanja temperature pogledajte poglavlje "Tehnički podaci / Tabela sa podacima".

10.3 Kraj montaže

- ▶ Otvorite ventil za zatvaranje u duplom fittingu ili u dovodnom cevovodu hladne vode.

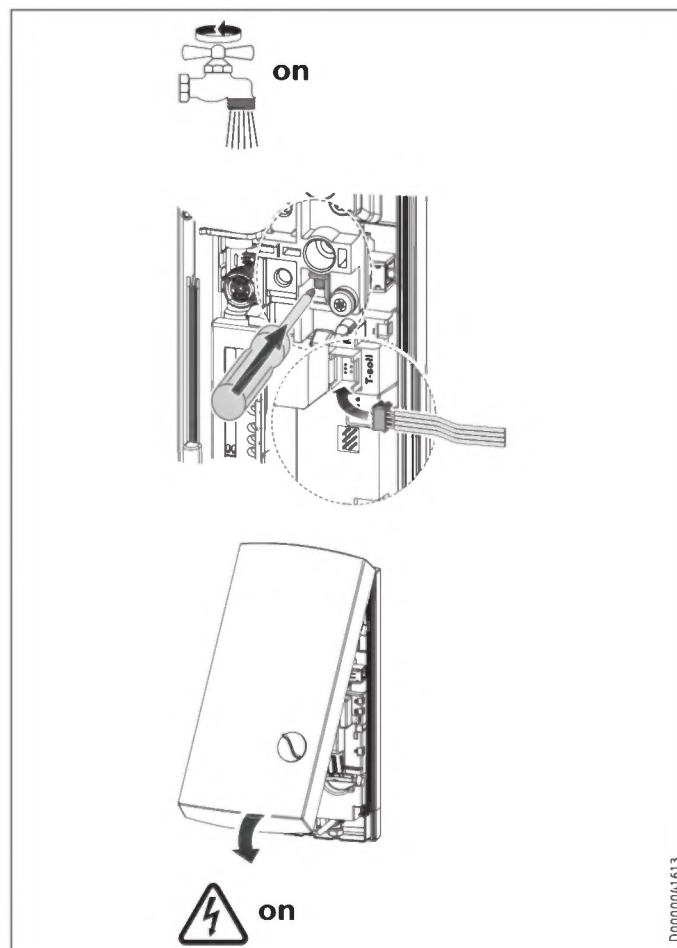
11. Puštanje u rad



UPOZORENJE Strujni udar

Puštanje u rad sme da izvrši samo kvalifikovani majstor uz uzimanje u obzir bezbednosnih propisa.

11.1 Prvo puštanje u rad



- ▶ Više puta otvorite i zatvorite sve priključene odvodne ventile dok se vazduh ne oslobodi iz mreže vodova i uređaja.
- ▶ Sprovedite kontrolu zaptivenosti.
- ▶ Aktivirajte sigurnosni ograničavač pritiska tako što ćete jako pritisnuti dugme za resetovanje (uređaj se isporučuje sa deaktiviranim sigurnosnim ograničavačem pritiska).
- ▶ Utaknite utikač kabla za podešavanje temperature na elektroniku.
- ▶ Montirajte poklopac uređaja dok se čujno ne ugavi u svoje ležište. Proverite ležište poklopcu uređaja.
- ▶ Uključite mrežni napon.
- ▶ Proverite način rada uređaja.

Predaja uređaja

- Objasnite korisniku funkciju uređaja i upoznajte ga sa načinom korišćenja uređaja.
- Ukažite korisniku na moguće opasnosti, posebno na opasnost od povreda vrelom vodom.
- Predajte ovo uputstvo sledećem korisniku.

11.2 Ponovno puštanje u rad

Oslobodite vazduh iz uređaja i dovoda hladne vode (pogledajte poglavlje "Podešavanje").

Pogledajte poglavlje "Prvo puštanje u rad".

12. Stavljanje van pogona

- Odvojite uređaj od svih polova mrežnog priključka.
- Ispraznite uređaj (pogledajte poglavlje "Održavanje").

13. Uklanjanje smetnji

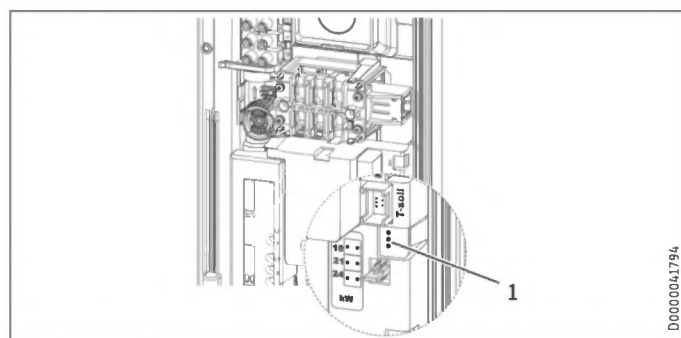


UPOZORENJE Strujni udar

Da biste uređaj mogli da proverite, mrežni napon mora da bude prisutan na uređaju.

Mogućnosti prikazivanja dijagnostičke lampice (LED)

●	crveno	svetli kad se pojavi smetnja
●	žuto	svetli kada je aktivan grejni pogon
○	zeleno	treperi: uređaj je na mrežnom priključku



1 Dijagnostička lampica

Smetnja / Prikaz LED dijagnostičke lampice	Uzrok	Rešenje
Protok je isuviše nizak.	Sito u uređaju je zaprljano.	Očistite sito.
Nije postignuta zadana temperatura. Grejanje se ne uključuje.	Faza nedostaje. Vazduh se prepoznaje u vodi i na kratko isključuje grejač.	Proverite osigurač u kućnoj instalaciji. Nakon minut vremena uređaj se ponovo aktivira.
Nema vruće vode ni prikaza na lampici.	Osigurač se isključio. Sigurnosni ograničavač pritiska AP 3 se isključio.	Proverite osigurač u kućnoj instalaciji. Uklonite uzrok greške (npr. pokvareni izbacivač pritiska).
		Zaštitite grejni sistem od pregrevanja tako što ćete na minut otvoriti odvodni ventil koji je naknadno priključen na uređaju. Time se grejni sistem oslobađa pritiska i rashlađuje.
		Aktivirajte sigurnosni ograničavač pritiska priloženog pritiska tako što ćete pritisnuti dugme za resetovanje (pogledajte poglavlje "Prvo puštanje u rad").
	Elektronika je u kvaru.	Proverite elektroniku i ako je potrebno zamenite je.
Prikaz lampice: treperi zeleno ili je svetlo konstantno	Elektronika je u kvaru.	Proverite elektroniku i ako je potrebno zamenite je.
Nema tople vode pri protoku > 3 l/min.	Detekcija protoka DFE nije utaknuta.	Ponovo utaknite utikač detekcije protoka.
	Detekcija protoka DFE je u kvaru.	Prekontrolišite detekciju protoka i ako je potrebno zamenite je.
Prikaz lampice: stalno svetli žuto, zeleno treperi Nema tople vode pri protoku > 3 l/min.	Sigurnosni ograničavač temperature se isključio ili je prekinut.	Prekontrolišite sigurnosni ograničavač temperature i ako je potrebno zamenite ga.
	Grejni sistem je u kvaru.	Izmerite otpornik grejnog sistema i ako je potrebno zamenite otpornik.
	Elektronika je u kvaru.	Proverite elektroniku i ako je potrebno zamenite je.
Prikaz lampice: stalno svetli žuto, zeleno treperi	Izlazna sonda je skinuta ili se radi o prekidu voda.	Utaknite izlaznu sondu i ako je potrebno zamenite je.
Prikaz lampice: stalno svetli crveno, zeleno treperi	Senzor za hladnu vodu je u kvaru.	Proverite elektroniku i ako je potrebno zamenite je.
Nema tople vode Željena temperatura > 45 °C nije postignuta.	Dovodna temperatura hladne vode je viša od 45 °C.	Smanjite dovodnu temperaturu hladne vode ka uređaju.
Prikaz lampice: stalno svetli crveno, zeleno treperi	Izlazna sonda je u kvaru (kratki spoj).	Proverite izlaznu sondu i ako je potrebno zamenite je.

14. Održavanje



UPOZORENJE Strujni udar
Prilikom svih radova udaljite uređaj od svih polova mrežnog priključka.

Pražnjenje uređaja

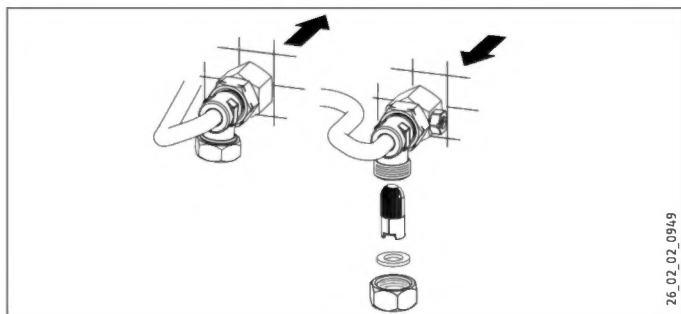
Za potrebe održavanja možete da ispraznite uređaj.



UPOZORENJE Opekotina
Prilikom pražnjenja uređaja može da izađe vruća voda.

- ▶ Zatvorite ventil za zatvaranje u duplom fittingu ili u dovodnom cevovodu hladne vode.
- ▶ Otvorite sve odvodne ventile.
- ▶ Oslobodite vodo-priključke sa uređaja.
- ▶ Demontirani uređaj skladištite tamo gde nema mraza jer u uređaju ima ostatak vode koji se mogu zamrznuti i izazvati štetu.

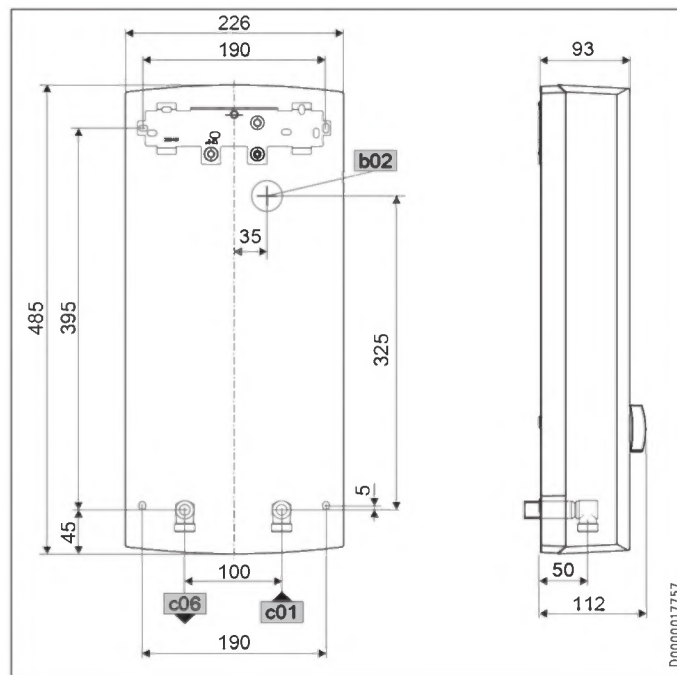
Čišćenje sita



U slučaju zaprljanja čistite sito priključku sa šrafovima za hladnu vodu. Zatvorite ventil za zatvaranje u dovodnom cevovodu hladne vode pre nego što izvadite, očistite i ponovo uglavite sito.

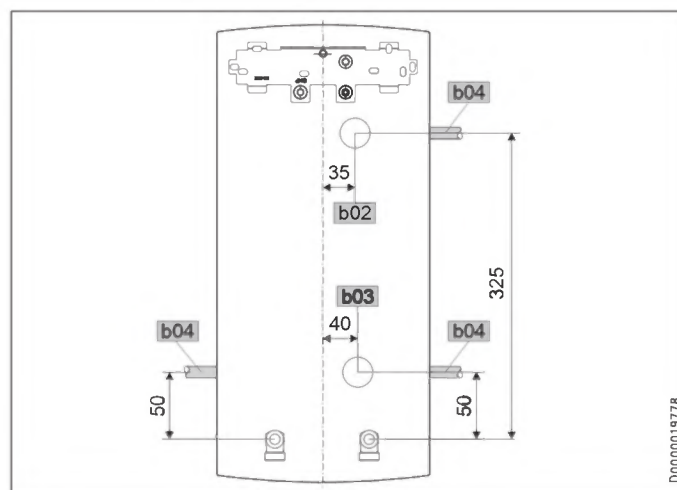
15. Tehnički podaci

15.1 Mere i priključci



b02	Sprovođenje elektr. vodova I		
c01	Dovod hladne vode	Spoljni navoj	G 1/2 A
c06	Izlaz tople vode	Spoljni navoj	G 1/2 A

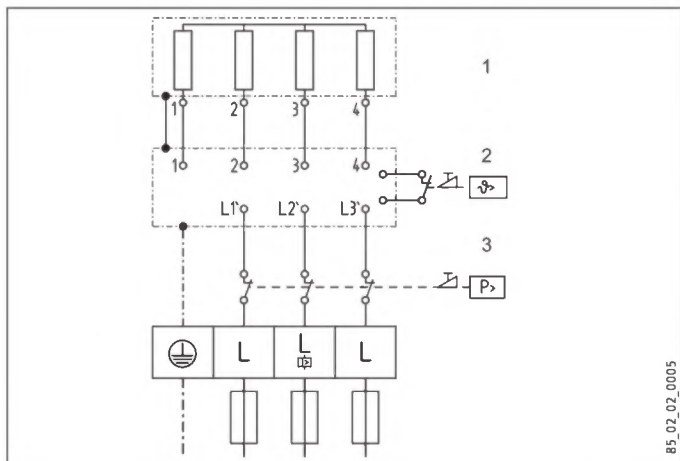
Alternativne mogućnosti priključivanja



b02	Sprovođenje električnih vodova I		
b03	Sprovođenje električnih vodova II		
b04	Sprovođenje električnih vodova III		

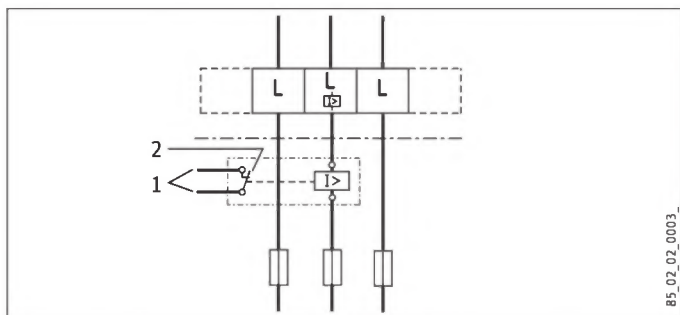
15.2 Električni plan priključivanja

3/PE ~ 380-415 V



- 1 Zagrevanje
- 2 Sigurnosni ograničavač temperature
- 3 Sigurnosni ograničavač pritiska

Prioritetno uključivanje sa LR 1-A



- 1 Upravljački vod sa relejom za uključivanje 2. uređaja (npr. grejni elektro-uređaj sa rezervoarom).
- 2 Kontakt za upravljanje se otvara prilikom uključivanja protočnog grejača.

15.3 Efekat tople vode

Efekat tople vode je zavisan od susednog mrežnog napona, priključne snage uređaja i dovodne temperature hladne vode. Nominalni napon i nominalna snaga navedeni su na pločici sa oznakom tipa (pogledajte poglavlje "Rešavanje problema").

Priključna snaga u kW			38 °C efekat tople vode u l/min.			
Nominalni napon			Dovodna temperatura hladne vode			
380 V	400 V	415 V	5 °C	10 °C	15 °C	20 °C
16,2			7,0	8,3	10,1	12,9
19			8,2	9,7	11,8	15,1
21,7			9,4	11,1	13,5	17,2
	18		7,8	9,2	11,2	14,3
	21		9,1	10,7	13,0	16,7
	24		10,4	12,2	14,9	19,0
		19,4	8,4	9,9	12,0	15,4
		22,6	9,8	11,5	14,0	17,9
		25,8	11,2	13,2	16,0	20,5

Priključna snaga u kW			50 °C efekat tople vode u l/min.			
Nominalni napon			Dovodna temperatura hladne vode			
380 V	400 V	415 V	5 °C	10 °C	15 °C	20 °C
16,2			5,1	5,8	6,6	7,7
19			6,0	6,8	7,8	9,0
21,7			6,9	7,8	8,9	10,3
	18		5,7	6,4	7,3	8,6
	21		6,7	7,5	8,6	10,0
	24		7,6	8,6	9,8	11,4
		19,4	6,2	6,9	7,9	9,2
		22,6	7,2	8,1	9,2	10,8
		25,8	8,2	9,2	10,5	12,3

15.4 Oblasti primene / Tabela za preračunavanje

Specifični električni otpor i specifična električna provodljivost (pogledajte poglavlje "Tabela sa podacima").

Standardni parametar kod 15 °C			20 °C			25 °C		
Otpor $\rho \geq$	Provodljivost $\sigma \leq$		Otpor $\rho \geq$	Provodljivost $\sigma \leq$		Otpor $\rho \geq$	Provodljivost $\sigma \leq$	
$\Omega \text{ cm}$	mS/m	$\mu\text{S/cm}$	$\Omega \text{ cm}$	mS/m	$\mu\text{S/cm}$	$\Omega \text{ cm}$	mS/m	$\mu\text{S/cm}$
900	111	1111	800	125	1250	735	136	1361
1000	100	1000	890	112	1124	815	123	1227
1200	83	833	1070	93	935	985	102	1015
1300	77	769	1175	85	851	1072	93	933

15.5 Gubici pritiska

Armature

Gubitak pritiska armatura pri zapreminskom protoku 10 l/min

Jednoručni mešač, ca.	MPa	0,04 - 0,08
Termostatska armatura, ca.	MPa	0,03 - 0,05
Tuš baterija, ca.	MPa	0,03 - 0,15

Dimenzioniranje cevovodne mreže

Za izračunavanje dimenzija cevovodne mreže za uređaj se preporučuje gubitak pritiska od 0,1 MPa.

15.6 Postupanje u slučaju smetnje

U slučaju smetnje na instalaciji mogu da nastanu kratkotrajna opterećenja od maksimalno 95 °C pri pritisku od 1,2 MPa.

15.7 Podaci o potrošnji energije

Tehnički list proizvoda: Konvencionalni bojler prema Odredbi (EU) br. 812/2013 | 814/2013

	PEY 18/21/24
	233993
Proizvođač	STIEBEL ELTRON
Profil opterećenja	S
Klasa energetske efikasnosti	A
Energetski koeficijent korisnosti	% 39
Godišnja potrošnja struje	kWh 477
Fabričko podešavanje temperature	°C 60
Nivo zvučne buke	dB(A) 15
Posebne napomene za merenje efikasnosti	Podaci pri Pmaks.
Potrošnja struje na dnevnom nivou	kWh 2,198

Tehnički podaci

15.8 Tabela sa podacima

		PEY 18/21/24 233993		
Električni podaci				
Nominalni napon	V	380	400	415
Nominalna snaga	kW	16,2/19/21,7	18/21/24	19,4/22,6/25,8
Nominalna snaga	A	27,6/29,5/33,3	29/31/35	30,1/32,2/36,3
Osiguranje	A	32/32/35	32/32/35	32/32/40
Frekvencija	Hz	50/60	50/60	50/-
Faze				3/PE
Specifični otpor $\rho_{15} \geq$ (kod $\theta_{hladno} \leq 25^{\circ}\text{C}$)	$\Omega \text{ cm}$	900	900	1000
Specifična provodljivost $\sigma_{15} \leq$ (kod $\theta_{hladno} \leq 25^{\circ}\text{C}$)	$\mu\text{S/cm}$	1111	1111	1000
Specifični otpor $\rho_{15} \geq$ (kod $\theta_{hladno} \leq 45^{\circ}\text{C}$)	$\Omega \text{ cm}$	1200	1200	1300
Specifična provodljivost $\sigma_{15} \leq$ (kod $\theta_{hladno} \leq 45^{\circ}\text{C}$)	$\mu\text{S/cm}$	833	833	770
Maks. impedanca mreže na 50Hz	Ω	0,284	0,270	0,260
Izvedbe				
Grejni sistem proizvođača toplote		Neizolovana žica		
Izolacioni blok		Plastika		
Priključna snaga se može birati		X		
Podešavanje temperature	$^{\circ}\text{C}$	oko 30-60		
Poklopac i pozadina		Plastika		
Vrsta zaštite (IP)		IP25		
Boja		bela		
Priključci				
Vodo-priključak		G 1/2 A		
Granice primene				
Maks. dozvoljeni pritisak	MPa	1		
Maks. dovodna temperatura za naknadno zagrevanje	$^{\circ}\text{C}$	45		
Vrednosti				
Maks. dozvoljena dovodna temperatura	$^{\circ}\text{C}$	60		
Uklj	l/min	>3		
Zapremina protoka za gubitak pritiska	l/min	5,2/6,0/6,9		
Gubitak pritiska kod zapremine protoka	MPa	0,08/0,10/0,13 (0,06/0,08/0,10 bez ograničavača količine proticanja)		
Ograničenje zapremine protoka kod	l/min	8,0		
Raspoloživost tople vode	l/min	9,4/11,0/12,6		
$\Delta\theta$ pri raspoloživosti	K	26		
Podaci o hidraulici				
Nominalni sadržaj	l	0,4		
Dimenzije				
Visina	mm	485		
Širina	mm	226		
Dubina	mm	93		
Težine				
Težina	kg	3,6		



Napomena

Ovaj uređaj je usklađen sa IEC 61000-3-12.

Garancija

Za uređaje koji su kupljeni van Nemačke ne važe garantni uslovi naših nemačkih društava. Sem toga, u zemljama u kojima neka od naših filijala prodaje naše proizvode, garancija se može dobiti samo od te filijale. Takva garancija se daje samo ako je ta filijala izdala svoje sopstvene garantne uslove. Inače se ne daje nikakva garancija.

Za uređaje koji su kupljeni u zemljama u kojima nijedna naša filijala ne prodaje naše proizvode mi ne dajemo nikakvu garanciju. To ne utiče na neke vrste garancija koje daje uvoznik.

Okolina i reciklaža

Pomozite nam da sačuvamo našu životnu sredinu. Materijale nakon korišćenja odložite na otpad u skladu sa državnim propisima.

INDICAȚII SPECIALE

OPERARE

1. Indicații generale	78
1.1 Indicații de siguranță	78
1.2 Alte marcaje în această documentație	79
1.3 Unități de măsură	79
2. Siguranța	79
2.1 Utilizarea conformă cu destinația	79
2.2 Indicații generale de siguranță	79
2.3 Marcaj de verificare	79
3. Descrierea instalației	79
4. Setările	80
4.1 Recomandări de reglare	80
5. Curățarea, îngrijirea și întreținerea	80
6. Remedierea problemelor	80

INSTALAREA

7. Siguranța	81
7.1 Indicații generale de siguranță	81
7.2 Funcționarea ca duș	81
7.3 Prevederi, norme și reglementări	81
8. Descrierea instalației	81
8.1 Conținutul livrării	81
9. Pregătiri	81
9.1 Loc montaj	81
9.2 Instalație apă	82
10. Montaj	82
10.1 Montajul standard	82
10.2 Alternative de montaj	85
10.3 Încheierea procesului de montare	87
11. Punerea în funcțiune	87
11.1 Prima punere în funcțiune	87
11.2 Repunerea în funcțiune	88
12. Oprirea aparatului	88
13. Remedierea perturbațiilor	88
14. Întreținerea	89
15. Date tehnice	89
15.1 Dimensiuni și racorduri	89
15.2 Schemă de conexiune electrică	90
15.3 Capacitate apă caldă	90
15.4 Domenii de utilizare / Tabel de conversie	90
15.5 Pierderile de presiune	90
15.6 Condiții de defectare	90
15.7 Informații privind consumul de energie	90
15.8 Tabel de date	91

GARANȚIE

MEDIU ȘI RECICLARE

INDICAȚII SPECIALE

- Aparatul poate fi utilizat atât de copii peste 3 ani, cât și de persoane cu capacități corporale, senzoriale sau mentale reduse sau cu deficiențe privind experiența și cunoștințele dacă sunt supravegheate sau au fost instruite referitor la utilizarea sigură a aparatului și la pericolele care rezultă astfel. Copiii nu au voie să se joace cu aparatul. Curățarea și întreținerea realizate de utilizator nu pot fi executate de copii fără supraveghere.
- Garnitura poate atinge o temperatură de până la 60 °C. În cazul temperaturilor de ieșire mai mari de 43 °C există pericolul de opărire.
- Aparatul este adecvat pentru alimentarea unui duș (funcționare ca duș). Dacă aparatul este utilizat și sau exclusiv pentru funcționarea ca duș, tehnicianul de specialitate trebuie să activeze în aparat domeniul de setare a temperaturii prin intermediul limitatorului de temperatură (Tred = 55 °C). La utilizarea de apă preîncălzită se va asigura faptul că temperatura de intrare a apei să nu depășească 55 °C.
- Aparatul trebuie deconectat de la rețeaua de curent de la toți polii pe o distanță minimă de 3 mm.
- Tensiunea indicată trebuie să corespundă tensiunii de rețea.
- Aparatul trebuie conectat la conductorul de împământare.
- Aparatul trebuie conectat permanent la un cablaj fix.
- Fixați aparatul ca la descrierea din capitolul „Instalarea / Montajul”.
- Respectați presiunea maximă admisă (vezi capitolul „Instalare / Date tehnice / Tabel de date”).

- Rezistența specifică a apei din rețeaua de alimentare cu apă nu are voie să fie depășită (vezi capitolul „Instalare / Date tehnice / Tabel de date”).
- Goliți aparatul conform descrierii din capitolul „Instalarea / Întreținerea / Golirea aparatului”.

OPERARE

1. Indicații generale

Capitolul „Indicații speciale” și „Operare” se adresează utilizatorului aparatului și tehnicianului de specialitate.

Capitolul „Instalare” se adresează tehnicianului de specialitate.



Indicație

Citiți cu atenție aceste instrucțiuni înainte utilizării și păstrați-le bine.
Predați de asemenea instrucțiunile de utilizare următorului utilizator.

1.1 Indicații de siguranță

1.1.1 Structura instrucțiunilor de siguranță



CUVÂNT DE SEMNALIZARE Tipul pericolului
Aici sunt înscrise posibilele urmări ale nerespectării indicațiilor de siguranță.

► Aici sunt înscrise măsurile de protecție contra pericolului.

1.1.2 Simboluri, tipul pericolului

Simbol	Tipul pericolului
	Rănire
	Electrocutare
	Arsură (arsură, opărire)

1.1.3 Cuvinte semnal

CUVÂNT SEMNAL	Semnificație
PERICOL	Indicații, a căror nerespectare cauzează răniri grave sau deces.
AVERTIZARE	Indicații, a căror nerespectare poate cauza răniri grave sau deces.
ATENȚIE	Indicații, a căror nerespectare poate cauza răniri de gravitate medie sau ușoară.

1.2 Alte marcaje în această documentație



Indicație

Indicațiile generale sunt marcate cu simbolul alăturat.

► Citiți cu atenție textele acestor indicații.

Simbol	Semnificație
	Pagube materiale (Deteriorarea aparatelor, pagube indirecte, poluarea mediului înconjurător)
	Scoaterea din uz a aparatelor

► Acest simbol vă arată că trebuie să acționați. Manevrele necesare vor fi descrise pas cu pas.

1.3 Unități de măsură



Indicație

Dacă nu este altceva precizat, toate dimensiunile sunt date în milimetri.

2. Siguranța

2.1 Utilizarea conformă cu destinația

Aparatul de presiune servește la încălzirea apei potabile sau încălzirea suplimentară a apei preîncălzite. Aparatul poate să deservască unul sau mai multe puncte de consum.

Aparatul este prevăzut pentru instalarea în mediul casnic. Poate fi utilizat în siguranță de persoane neinstruite. Aparatul poate fi utilizat și în spații nedestinate locuirii, de exemplu în mici ateliere, în măsura în care exploatarea se realizează în același mod.

O altfel de utilizare nu este considerată conformă. Pentru o utilizare conformă cu destinația trebuie respectate aceste instrucțiuni precum și instrucțiunile accesoriilor utilizate.

2.2 Indicații generale de siguranță



ATENȚIE Arsură

Garnitura poate atinge o temperatură de până la 60 °C. În cazul temperaturilor de ieșire mai mari de 43 °C există pericolul de opărire.



ATENȚIE Arsură

Temperatura apei calde poate devia de la temperatura nominală setată la funcționarea cu apă preîncălzită, de ex. de la o instalație solară.



AVERTIZARE Rănire

Aparatul poate fi utilizat atât de copii peste 3 ani, cât și de persoanele cu capacități corporale, senzoriale sau mentale reduse sau cu deficiențe privind experiența și cunoștințele, dacă au fost supravegheate sau instruite referitor la utilizarea sigură a aparatului și la pericolele care rezultă astfel. Copiii nu au voie să se joace cu aparatul. Curățarea și întreținerea realizate de utilizator nu pot fi executate de copii fără supraveghere.

În cazul în care copii sau persoane cu capacități corporale, senzoriale sau psihice limitate utilizează aparatul, recomandăm o limitare permanentă a temperaturii. Limitarea se poate regla de către un tehnician de specialitate.



Pagube materiale

Utilizatorul trebuie să protejeze aparatul și garnitura împotriva înghețului.

2.3 Marcaj de verificare

Vezi placa de identificare la aparat.

3. Descrierea instalației

Încălzitorul instant controlat electronic cu adaptarea automată a puterii menține constantă temperatura de evacuare până la limita de putere. După aceasta, temperatura este selectată prin intermediul bateriei.

Temperatură apă caldă

Temperatura de ieșire a apei calde poate fi setată continuu.

Limitator intern temperatură (tehnician de specialitate)

În funcție de preferință tehnicianul de specialitate poate activa o limitare permanentă a temperaturii.

La alimentarea unui duș tehnicianul de specialitate trebuie să activeze limitatorul de temperatură.

Sistemul de încălzire

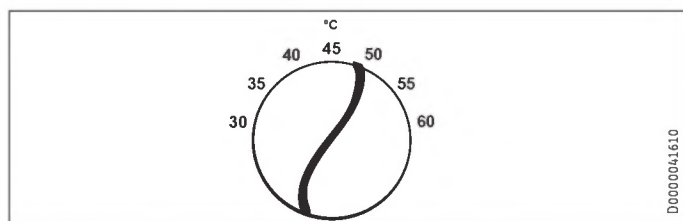
Sistemul de încălzire cu conductor neizolat are un înveliș din material plastic rezistent la presiune. Sistemul de încălzire este adecvat atât pentru apă săracă cât și pentru apă bogată în calcar și nu este sensibil față de depunerea calcarului. Sistemul de încălzire asigură o alimentare rapidă și eficientă a apei calde.



Indicație

Aparatul este dotat cu un detector de aer care împiedică deteriorarea sistemului de încălzire. Dacă, în timpul funcționării, pătrunde aer în aparat, acesta întrerupe puterea de încălzire timp de un minut, protejând astfel sistemul de încălzire.

4. Setările



- ▶ Rotiți butonul de reglare a temperaturii în poziția dorită.

Dacă, în cazul ventilului de ramificație deschis complet și cu temperatura reglată la maxim, nu se atinge o temperatură de evacuare suficientă, atunci prin aparat curge mai multă apă decât poate să încălzească radiatorul.

- ▶ Reduceți debitul de la armătură.

4.1 Recomandări de reglare

Încălzitorul Dvs. instant asigură o exactitate max. și un conform max. la prepararea apei calde. Dacă utilizați aparatul cu toate acestea cu o armătură termostatică, vă recomandăm:

- ▶ Reglați temperatura la aparat la temperatura maximă. Reglați temperatura nominală dorită apoi la armătura termostatică.

Economisirea energiei

Cel mai scăzut consum de energie îl veți obține în cazul următoarelor instalări recomandate de noi:

- 38 °C pentru lavoar, duș, cadă
- 55 °C pentru chiuveta de bucătărie

Recomandare de setare la funcționarea cu o armătură termostatică și apă preîncălzită solar

- ▶ Reglați temperatura la aparat la temperatura maximă.

După întreruperea alimentării cu apă



Pagube materiale

Pentru ca sistemul de căldură cu conductor neizolat să nu fie distrus după întreruperea alimentării cu apă, aparatul trebuie repus în funcțiune cu următorii pași.

- ▶ Scoateți aparatul de sub tensiune prin decuplarea siguranțelor fuzibile.
- ▶ Deschideți armătura timp de un minut, până când aparatul și conducta de apă rece nu vor mai conține aer.
- ▶ Reconectați tensiunea de rețea.

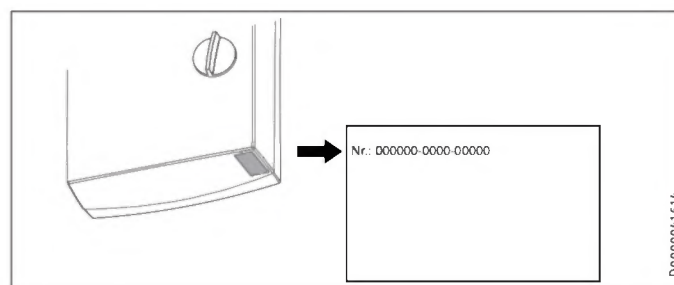
5. Curățarea, îngrijirea și întreținerea

- ▶ Nu utilizați detergenți abrazivi sau solvenți. Pentru îngrijirea și curățarea aparatului este suficientă o lavetă umedă.
- ▶ Controlați garniturile în mod regulat. Calcarul depus la căile de evacuare ale bateriei se poate îndepărta cu soluții de decalcifiere din comerț.

6. Remedierea problemelor

Problemă	Cauză	Remediere
Sistemul de încălzire nu se conectează, cu toate că robinetul de apă caldă a fost deschisă complet.	Nu există tensiune.	Verificați siguranțele fuzibile în tabloul din incinta casei.
	Debitul de trecere este prea redus. Regulatorul de jet din baterie sau para pentru duș are calcar sau este murdar.	Curățați și / sau decalcificați regulatorul de jet sau capul pentru duș.
Temperatura dorită > 45 °C nu este atinsă.	Alimentarea cu apă este întreruptă.	Aerisiți aparatul și conducta de alimentare cu apă rece (vezi capitolul „Setări”).
	Temperatura apei reci de alimentare este > 45 °C.	Reduceți temperatura apă rece de alimentare.

Dacă nu puteți remedia cauza, contactați tehnicianul de specialitate. Pentru un ajutor mai bun și mai rapid, comunicați acestuia numărul de pe placa de identificare cu (000000-0000-00000).



INSTALAREA

7. Siguranța

Instalarea, punerea în funcțiune, precum și întreținerea și repararea aparatului nu sunt permise decât tehnicianului de specialitate.

7.1 Indicații generale de siguranță

Buna funcționare și siguranța aparatului sunt garantate numai dacă sunt utilizate accesoriile și piesele de schimb originale prevăzute pentru aparat.



Pagube materiale

Respectați temperatura maximă de intrare. La temperaturi mai înalte aparatul se poate deteriora. La integrarea unei baterii termostatică centrale puteți limita temperatura maximă de intrare.



AVERTIZARE Electrocutare

Acest aparat conține condensatori, care se descarcă după separarea de la rețeaua electrică. Tensiunea de descărcare a condensatorului poate să fie temporar > 60 V CC.

7.2 Funcționarea ca duș



ATENȚIE Arsură

▶ Setați la alimentarea unui duș limitatorul intern al temperaturii pe „Tred”, vezi capitolul „Alternative montaj / limitatorul de temperatură”.



ATENȚIE Arsură

La alimentarea unui aparat cu apă preîncălzită respectați următoarele indicații:
Limitarea internă reglată a temperaturii este event. depășită.
▶ Limitați temperatura de la o baterie termostatică centrală pre-racordată.

7.3 Prevederi, norme și reglementări



Indicație

Respectați toate prevederile și reglementările naționale și locale.

- Tipul de protecție IP 25 (protejat împotriva stropirii cu apă) este garantat doar cu mufă de trecere a cablului montată în conformitate.
- Rezistența electrică specifică a apei nu trebuie să fie mai mică decât cea indicată pe placa de identificare. În cazul racordului la rețeaua de apă, trebuie respectată cea mai mică rezistență electrică a apei (vezi capitolul „Date tehnice / Domenii de utilizare / Tabel de conversie”). Rezistența electrică specifică, sau conductibilitatea electrică a apei, o veți afla de la întreprinderea locală de alimentare a apei.

8. Descrierea instalației

8.1 Conținutul livrării

Împreună cu aparatul sunt livrate:

- Fixarea pe perete
- Bolțuri filetate pentru suspendarea pe perete
- Șabloane montaj
- 2 Nipluri duble (apă rece cu ventil blocare)
- Garnituri de etanșare plate
- Mufă trecere cablu (alimentare electrică sus / jos)
- Șuruburi / dibluri pentru fixare panou spate la racordul de apă, pe tencuială

Pentru înlocuirea aparatului:

- 2 piese de prelungire pentru robinet

9. Pregătiri

9.1 Loc montaj



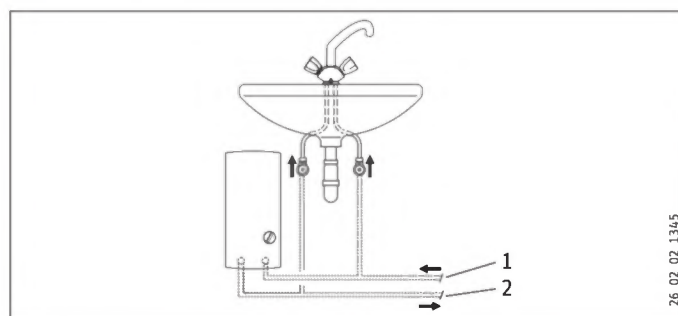
Pagube materiale

Instalarea aparatului nu este permisă decât într-o încăpere ferită de îngheț.

- ▶ Montați aparatul vertical și în apropierea unei baterii.

Aparatul este adecvat pentru montaj sub chiuvetă sau deasupra chiuvetei.

Montaj sub chiuvetă



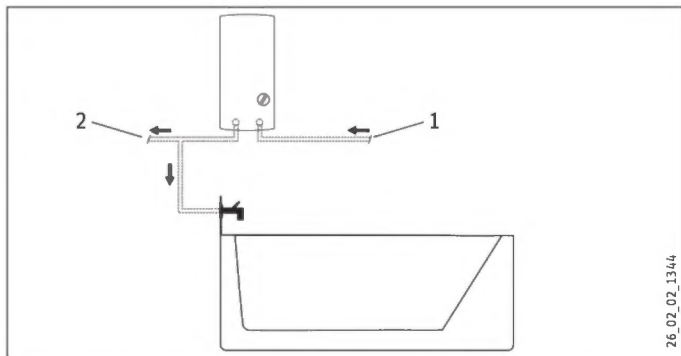
- 1 Alimentarea cu apă rece
- 2 Evacuare apă caldă

26.02.02_1345

INSTALAREA

Montaj

Montaj deasupra chiuvetei



- 1 Alimentarea cu apă rece
- 2 Evacuare apă caldă

Indicație

- ▶ Montați aparatul la perete. Peretele trebuie să aibă o capacitate portantă suficientă.

9.2 Instalație apă

- Nu este necesară o supapă de siguranță.
- Supapele de siguranță nu sunt admise în conductele de apă menajeră.
- ▶ Purjați temeinic conducta de apă.
- ▶ Asigurați-vă că este atins debitul volumetric (vezi capitol „Date Tehnice / Tabel date”, Pornit) pentru pornirea aparatului. Dacă nu este atins debitul volumetric, demontați limitatorul de debit (vezi capitolul „Montarea / demontarea limitatorului de debit”).
- ▶ Creșteți presiunea din conducta cu apă în cazul în care debitul volumetric nu este atins cu ventilul de extragere deschis complet.

Garnituri

Utilizați garnituri cu presiune adecvate. Nu sunt admise garnituri cu aerisire.

Indicație

- Nu este permisă utilizarea vanei de blocare pentru reglarea debitului la alimentarea cu apă rece. Aceasta servește la închiderea aparatului.

Materiale de lucru admise în conductele de apă

- Conducta de alimentare cu apă rece: țevă din oțel zincat la cald, țevă din oțel inoxidabil, țevă din cupru sau țevă din material plastic
- Conductă de ieșire apă caldă: Țevă din oțel inoxidabil, țevă din cupru sau țevă din plastic

! Pagube materiale

- La utilizarea de sisteme țevi din material plastic respectați temperatura maximă de intrare și presiunea maximă admisă (vezi capitolul „Instalare / Date tehnice / Tabel de date”).

Conducte de racordare apă flexibile

- ▶ Evitați, la instalarea cu conducte de racordare apă flexibile, răscucirea coturilor de țevă cu racorduri de tip baionetă în aparat.
- ▶ Fixați panoul din spate jos cu două șuruburi suplimentare.

10. Montaj

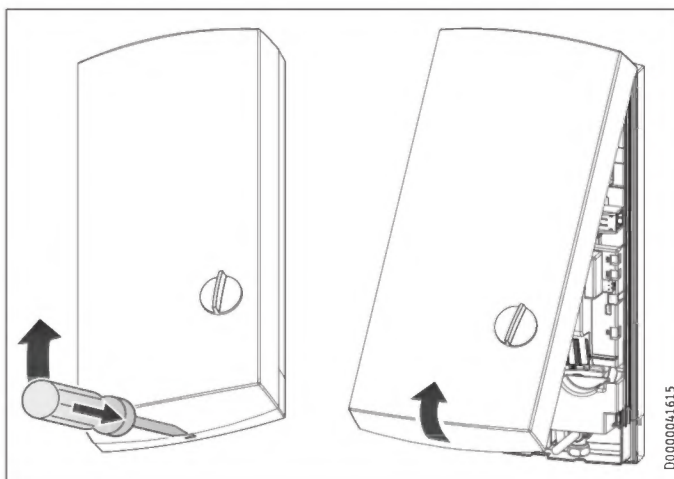
10.1 Montajul standard

- Racord electric sus, montaj înzidit
- Racord apă, montaj înzidit
- Puterea racordată medie presetată

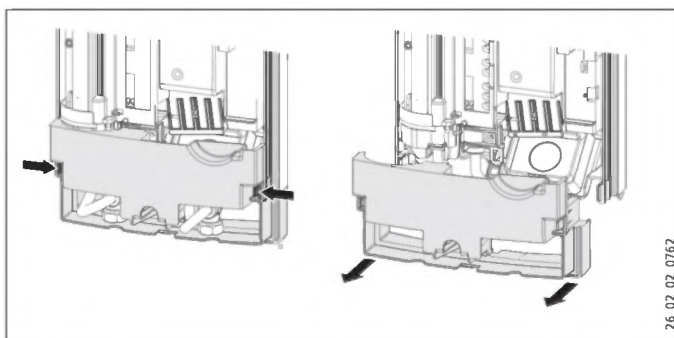
Pentru alte posibilități de montaj vezi capitolul „Alternative de montaj”:

- Conexiune electrică sub tencuială jos
- Conexiune electrică pe tencuială
- Conectarea unui releu de descărcare sarcină
- Instalație apă pe tencuială
- Racord apă sub tencuială la înlocuirea aparatului
- Funcționare cu apă preîncălzită
- Limitare temperatură

Deschiderea aparatului



- ▶ Deschideți aparatul prin deblocarea închizătorii.

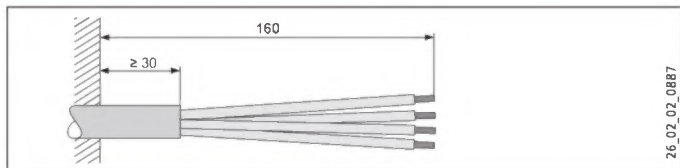


- ▶ Separați panoul spate prin apăsarea ambelor cârlige de înclichetare și trageți în afară spre față partea de jos a panoului spate.

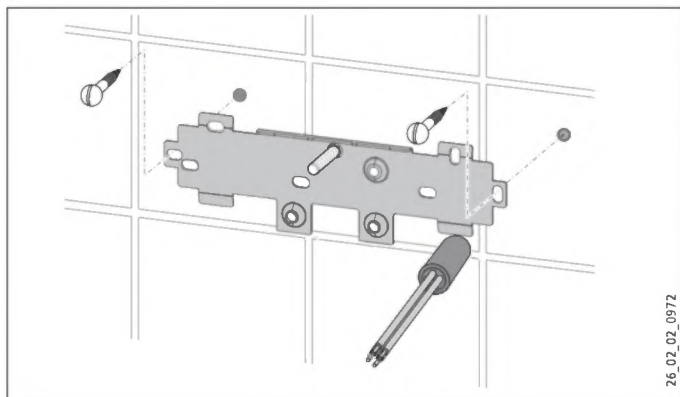
INSTALAREA

Montaj

Pregătire cablu conexiune rețea

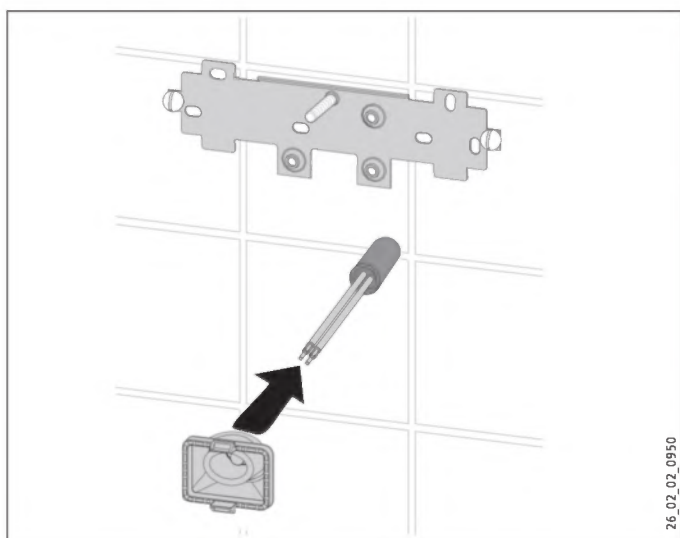


Montarea suspendării la perete



- ▶ Însemnați locașurile de găurire cu ajutorul șablonului pentru montaj. În cazul montajului cu racorduri de apă așezate pe tencuială, trebuie să marcați suplimentar locașurile de găurire pentru fixare în partea inferioară a șablonului.
- ▶ Executați găurile și fixați suportul de suspendare pe perete cu 2 șuruburi și 2 dibluri (șuruburile și diblurile nu fac parte din conținutul livrării).
- ▶ Montați bolțurile filetate alăturate.
- ▶ Montați suspendarea pe perete.

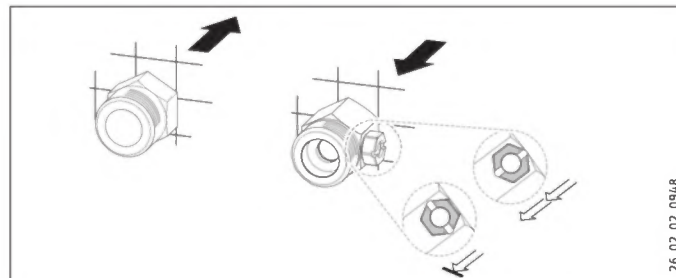
Montarea mufei de trecere a cablului



- ▶ Montați mufa de trecere a cablului. În cazul unui cablu de legătură > 6 mm² măriți gaura în mufa de trecere a cablului.

Realizarea racordului de apă

- ! **Pagube materiale**
Efectuați toate lucrările de racordare a apei și de instalații conform prevederilor.

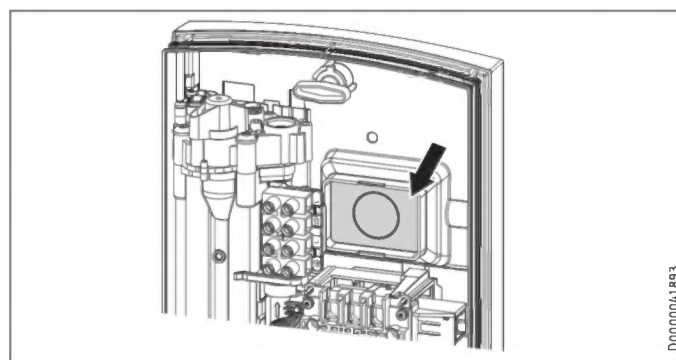


- ▶ Etanșați și înșurubați niplurile duble.

- ! **Pagube materiale**
Nu este permisă utilizarea vanei de blocare pentru reglarea debitului la alimentarea cu apă rece.

Pregătirea panoului spate

- ! **Pagube materiale**
În cazul în care ați decupat o gaură greșită în panoul spate, trebuie să utilizați un panou spate nou.

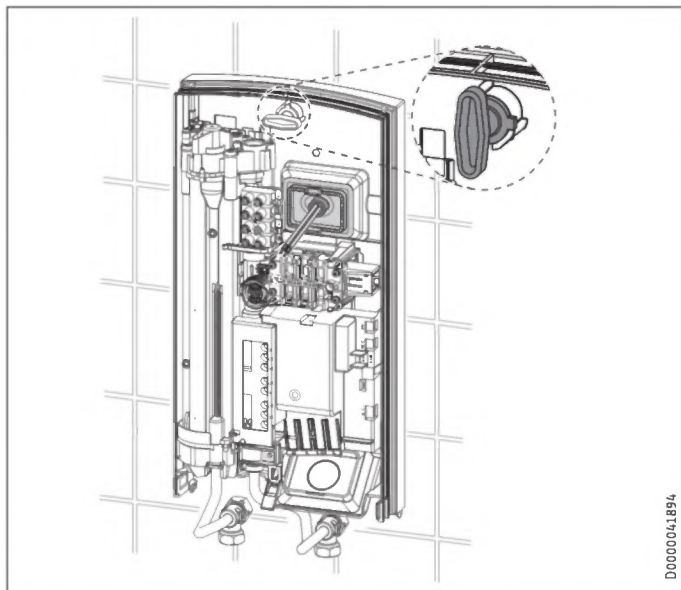


- ▶ Decupați locașul necesar pentru mufa de trecere a cablului din panoul spate. Debavurați eventual muchiile ascuțite cu o pilă.

INSTALAREA

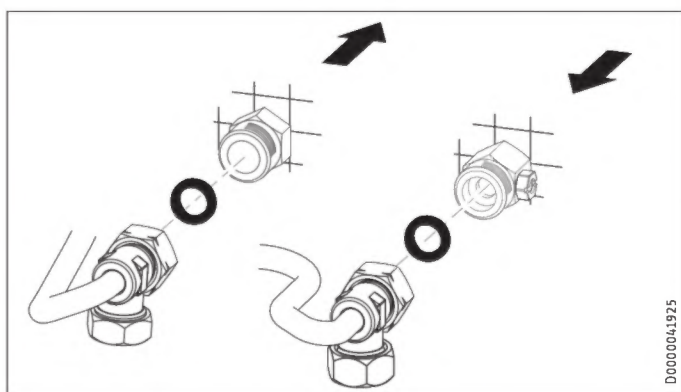
Montaj

Montare aparat



D0000041894

- ▶ Poziționați panoul spate peste bolțurile filetate și mufa de trecere a cablului. Trageți mufa de trecere a cablului, cu ajutorul unui clește, în panoul spate, către clemele de prindere, până ce ambele se vor fixa printr-un clic.
- ▶ Îndepărtați tamponurile pentru protecția în timpul transportului din racordurile de apă.
- ▶ Apăsăți ferm panoul spate și blocați, pentru sigilare, elementul prindere prin rotire la dreapta cu 90°.



D0000041925

- ▶ Înșurubați țevile de racord la apă cu garniturile plate de etanșare pe niplurile duble.



Pagube materiale

Pentru funcționarea aparatului trebuie să fie integrată sita.

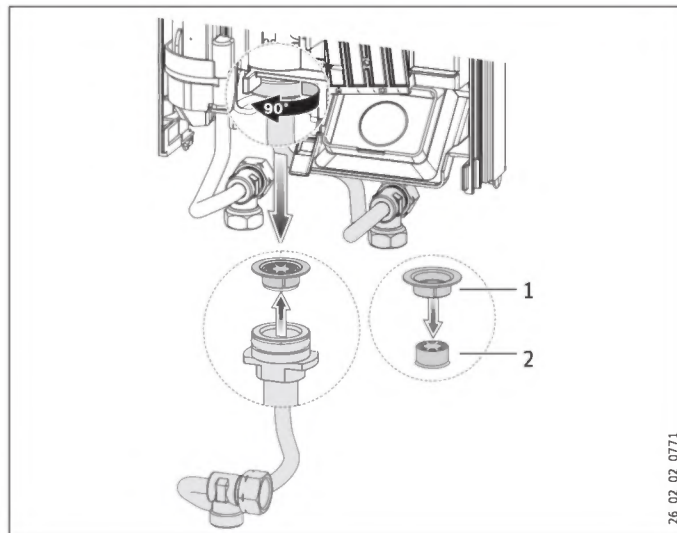
- ▶ La înlocuirea aparatului verificați dacă există sita (vezi capitolul „Întreținerea”).

Demontarea limitatorului de debit



Pagube materiale

Dacă utilizați o baterie termostatică, limitatorul de debit nu trebuie să fie îndepărtat.



26_02_02_0771

1 Șaibă ovalizată plastic

2 Limitator debit

- ▶ Scoateți limitatorul de debit și puneți șaiba ovalizată din plastic la loc.

Realizare conexiuni electrice



AVERTIZARE Electrocutare

Efectuați toate lucrările de conexiune și instalare conform prevederilor.



AVERTIZARE Electrocutare

Conexiunea la rețeaua de energie electrică este permisă numai ca și conexiune fixă în legătură cu mufa de trecere a cablului ce se poate scoate. Aparatul trebuie deconectat de la rețeaua de curent de la toți polii pe o distanță minimă de 3 mm.



AVERTIZARE Electrocutare

Acordați atenție ca aparatul să fie conectat la conductorul de protecție.



Pagube materiale

Observați placa de identificare a aparatului. Tensiunea indicată trebuie să corespundă tensiunii de rețea.

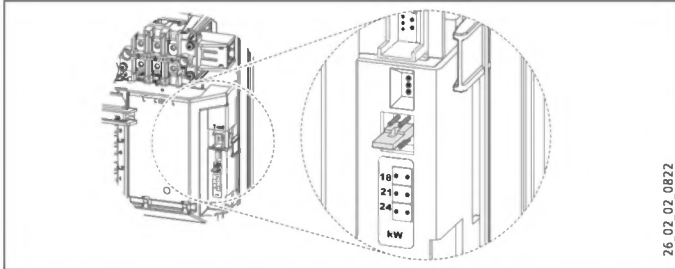
- ▶ Conectați cablul electric de racordare la borna de racordare la rețea (vezi capitolul „Date tehnice / Scheme de conexiune electrică”).

INSTALAREA

Montaj

Reintroducerea cardului de codare

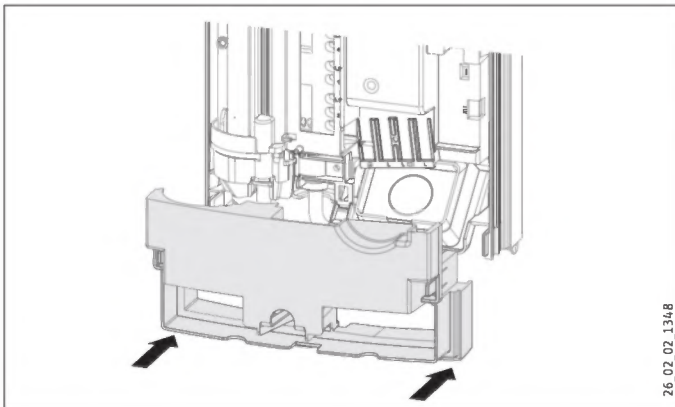
Aparatul este setat la livrare pe 21 kW. În cazul în care se comută la o putere diferită, trebuie să realizați următorii pași:



26_02_02_0822

- ▶ Reintroduceți cardul de codare corespunzător puterii de racordare selectate (pentru puterea de racordare selectabilă și siguranța aparatului, consultați capitolul „Date tehnice / Tabel date”).
- ▶ Bifați puterea de racordare selectată pe placa de identificare. Utilizați în acest scop un pix cu pastă.

Montarea părții inferioare a panoului spate

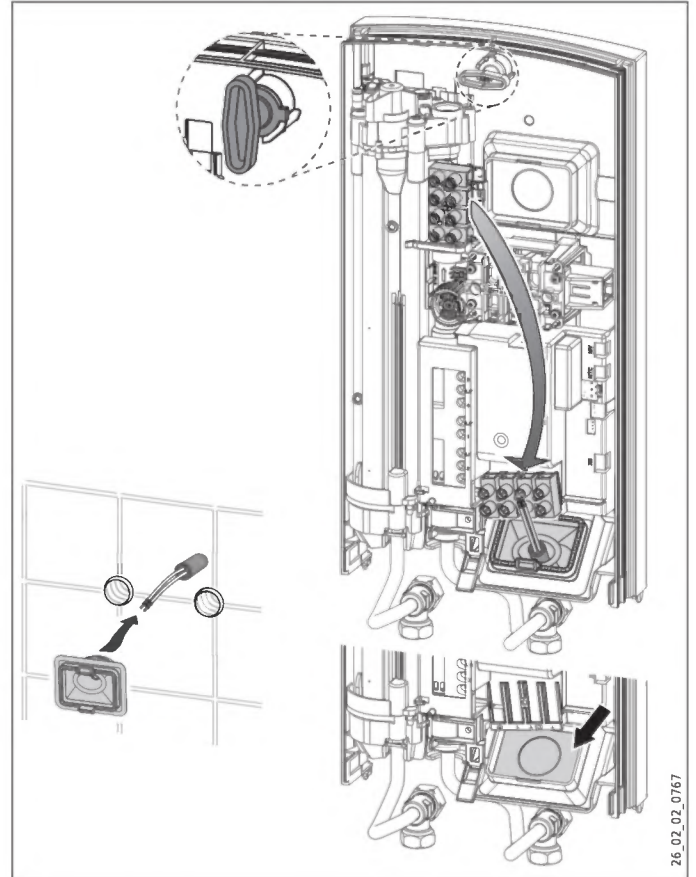


26_02_02_1348

- ▶ Montați partea inferioară a panoului spate în panoul din spate și blocați partea inferioară a panoului din spate.
- ▶ Orientați aparatul montat prin desfacerea mânerului de fixare, ajustați conexiunea electrică și panoul spate, iar apoi strângeți ferm la loc mânerul de fixare prin rotire. Dacă perețele spate al aparatului nu este alipit, atunci puteți să fixați aparatul în partea de jos, cu două șuruburi suplimentare.

10.2 Alternative de montaj

10.2.1 Conexiune electrică sub tencuială jos



26_02_02_0767

- ▶ Montați mufa de trecere a cablului.



Pagube materiale

În cazul în care ați decupat o gaură greșită în panoul spate, trebuie să utilizați un panou spate nou.

- ▶ Decupați locașul necesar pentru mufa de trecere a cablului din panoul spate. Debavurați eventual muchiile ascuțite cu o pilă.
- ▶ Deplasați bornele de rețea de sus în jos în aparat.
- ▶ Poziționați panoul spate peste bolțurile filetate și mufa de trecere a cablului. Trageți mufa de trecere a cablului, cu ajutorul unui clește, în panoul spate, către clemele de prindere, până ce ambele se vor fixa printr-un clic.
- ▶ Apăsăți ferm panoul spate și blocați, pentru sigilare, elementul prindere prin rotire la dreapta cu 90°.

INSTALAREA

Montaj

10.2.2 Conexiune electrică pe tencuială



Indicație

În cazul acestui tip de racordare se modifică tipul de protecție a aparatului.

- ▶ Modificați plăcuța de identificare a aparatului. Tăiați indicația IP 25 și bifați căsuța cu IP 24. Utilizați în acest scop un pix cu pastă.



Pagube materiale

În cazul în care ați decupat o gaură greșită în panoul spate, trebuie să utilizați un panou spate nou.

- ▶ Scoateți prin tăiere sau rupere curată străpungerea necesară în panoul spate (pentru poziții vezi capitolul „Date tehnice / Cote și racorduri”). Debavurați eventual muchiile ascuțite cu o pilă.
- ▶ Treceți cablul de racordare electric prin mufa de trecere a cablului și conectați-l la borna de racordare la rețea.

10.2.3 Conectarea unui releu de descărcare sarcină

Montați în distribuția electrică releul de descărcare a sarcinii în combinație cu alte aparate electrice, de ex. aparate electrice de încălzire cu acumulare de căldură. Descărcarea de sarcină se realizează în cazul acționării încălzitorului instant.



Pagube materiale

Legeți faza care comută releul de descărcare a sarcinii la borna marcată a bornelor de racordare la rețea din aparat (vezi capitolul „Date tehnice / Scheme de conexiune electrică”).

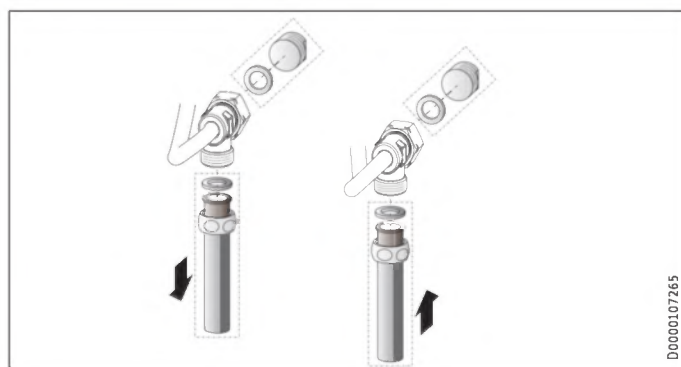
10.2.4 Instalație apă pe tencuială



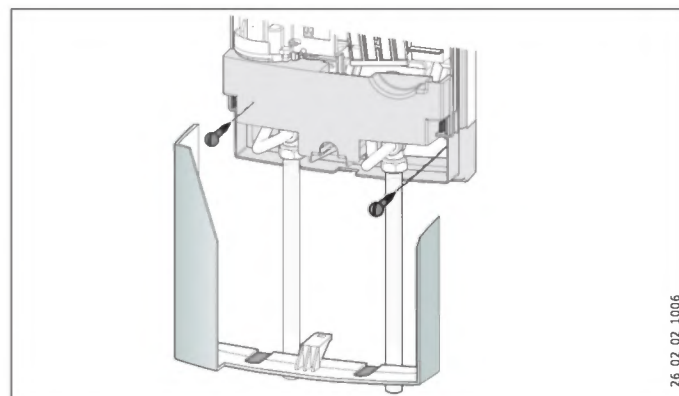
Indicație

În cazul acestui tip de racordare se modifică tipul de protecție a aparatului.

- ▶ Modificați plăcuța de identificare a aparatului. Tăiați indicația IP 25 și bifați căsuța cu IP 24. Utilizați în acest scop un pix cu pastă.



- ▶ Montați dopurile pentru apă cu garnituri pentru a închide racordul de sub tencuială.
- ▶ Montați o armătură cu presiune adecvată.



- ▶ Fixați panoul din spate jos cu două șuruburi suplimentare.
- ▶ Împingeți partea inferioară panou spate sub țevile racord ale bateriei și fixați partea inferioară a panoului spate.
- ▶ Înfiletați racordurile țevilor la aparat.



Pagube materiale

În cazul în care ați decupat din greșeală o gaură eronată în capacul aparatului, trebuie să utilizați un capac de aparat nou.

- ▶ Decupați atent trecerile în capacul aparatului. Debavurați eventual muchiile ascuțite cu o pilă.

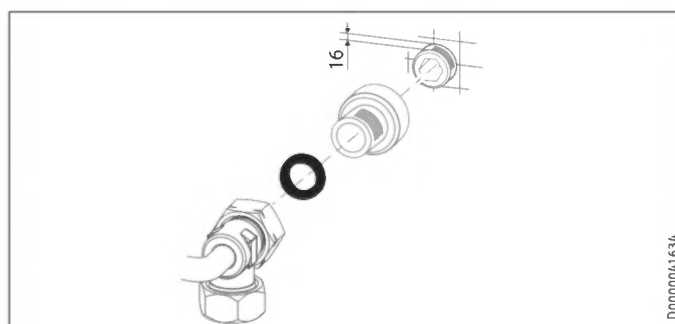
10.2.5 Instalație apă sub tencuială la înlocuirea aparatului

În cazul în care niplurile duble ale aparatului ies numai cca. 16 mm din perete nu puteți să utilizați niplurile duble livrate.



Indicație

La acest racord este posibilă blocarea intrării de apă rece numai în instalația incintei.



- ▶ Etanșați și înșurubați prelungirile alăturate.
- ▶ Conectați aparatul.

10.2.6 Funcționare cu apă preîncălzită

La integrarea unei baterii termostactice centrale se limitează temperatura maximă de intrare.

INSTALAREA

Punerea în funcțiune

10.2.7 Limitare temperatură

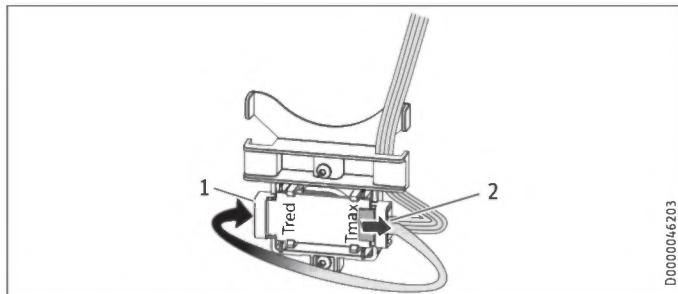


ATENȚIE Arsură

La funcționarea cu apă preîncălzită este posibil ca limitatorul de temperatură instalat să fie ineficient.

- ▶ În cazul acesta, limitați temperatura de o baterie termostatică centrală, pre-racordată.

Puteți limita temperatura în interiorul capacului aparatului.



- 1 Poziția „Tred” (55 °C): Limitare temperatură
- 2 Poziția „Tmax”: fără limitare a temperaturii, pentru domeniul de reglare a temperaturii vezi capitolul „Date tehnice / Tabel date”.

10.3 Încheierea procesului de montare

- ▶ Deschideți vana de blocare din niplul dublu sau în conducta de intrare a apei reci.

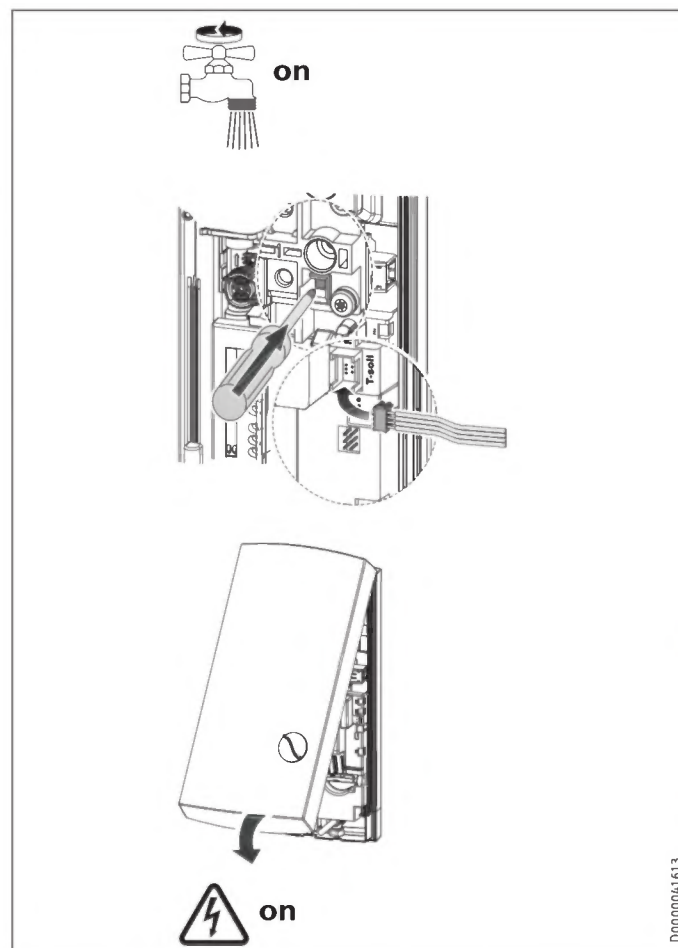
11. Punerea în funcțiune



AVERTIZARE Electrocutare

Punerea în funcțiune este permisă numai de către un tehnician de specialitate cu respectarea prevederilor de siguranță.

11.1 Prima punere în funcțiune



- ▶ Deschideți și închideți toate bateriile racordate, de mai multe ori, până când rețeaua de conducte și aparatul sunt fără aer.
- ▶ Realizați un control al etanșeității.
- ▶ Activați limitatorul de presiune de siguranță prin apăsarea fermă a tastei de resetare (aparatură este livrată cu limitator de presiune de siguranță dezactivat).
- ▶ Cuplați ștecărul cablului selectorului de temperatură pe placa de comandă electronică.
- ▶ Montați capacul aparatului până se aude un click de blocare. Verificați așezarea capacului aparatului.
- ▶ Conectați la tensiunea de rețea.
- ▶ Verificați modul de funcționare al aparatului.

Oprirea aparatului

Predarea aparatului

- ▶ Explicați utilizatorului funcționarea aparatului și obișnușiți-l cu utilizarea acestuia.
- ▶ Avertizați utilizatorul asupra posibilelor pericole, în special asupra pericolului de opărire.
- ▶ Predați aceste instrucțiuni.

11.2 Repunerea în funcțiune

Aerisiți aparatul și conducta de alimentare cu apă rece (vezi capitolul „Setări”).

Vezi capitolul „Prima punere în funcțiune”.

12. Oprirea aparatului

- ▶ Separați aparatul de racordul la rețea de la toți polii.
- ▶ Goliți aparatul (vezi capitolul „Întreținerea”).

13. Remedierea perturbațiilor

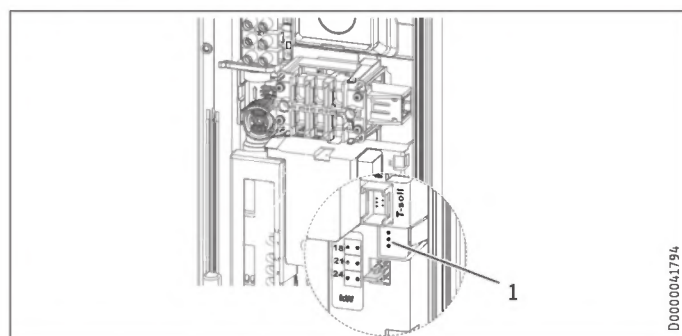


AVERTIZARE Electrocutare

Pentru a putea efectua verificarea aparatului, trebuie să existe tensiune în aparat.

Posibilități de afișaj ale semnalizării de diagnoză (LED)

	roșu	luminează în caz de perturbație
	galben	luminează în cazul funcționării încălzirii
	verde	pălpâie: aparat la racordul de rețea



1 Semnalizare diagnoză

Perturbație / Afișaj semnalizare diagnoză LED	Cauză	Remediere
Debitul este prea redus.	Sita din aparat este murdară.	Curățați sita din aparat.
Nu este atinsă temperatura nominală.	Lipsește o fază.	Verificați siguranța la tabloul electric.
Nu pornește încălzirea.	Este detectat aer în apă și decuplează temporar puterea de încălzire.	Aparatul reintră în funcțiune, după un minut.
Nu există apă caldă și afișaj semnalizare.	S-a declanșat siguranța.	Verificați siguranța la tabloul electric.
	S-a oprit limitatorul presiunii de protecție AP 3.	Înlăturați cauza defecțiunii (de exemplu un spălător sub presiune defect). Protejați sistemul de încălzire împotriva supraîncălzirii, prin deschiderea timp de un minut a unei baterii conectate în aval de aparat. Astfel, sistemul de încălzire va fi răcit și se va descărca presiunea. Activați limitatorul presiunii de protecție la presiunea de curgere prin apăsarea tastei de resetare (consultați capitolul „Prima punere în funcțiune”).
	Partea electronică este defectă.	Verificați partea electronică și înlocuiți partea electronică dacă este cazul.
Afișaj semnalizare: verde pălpâie sau lumină permanentă	Partea electronică este defectă.	Verificați partea electronică și înlocuiți partea electronică dacă este cazul.
nu există apă caldă la debit > 3 l/min.	Debitmetrul DFE nu este introdus.	Introduceți din nou ștercărul debitmetrului.
	Debitmetrul DFE este defect.	Controlați debitmetrul și înlocuiți debitmetrul dacă este cazul.
Afișaj semnalizare: galben luminează permanent	Limitatorul temperaturii de siguranță a declanșat sau este întrerupt.	Controlați limitatorul de temperatură de siguranță și înlocuiți limitatorul de temperatură de siguranță dacă este cazul.
lipsă apă caldă la debit > 3 l/min.	Sistemul de încălzire este defect.	Măsurați rezistența sistemului de încălzire și event. înlocuiți rezistența.
	Partea electronică este defectă.	Verificați partea electronică și înlocuiți partea electronică dacă este cazul.
Afișaj semnalizare: galben luminează permanent, verde luminează intermitent	Senzorul de ieșire este scos sau există o întrerupere a conductorului.	Introduceți senzorul de ieșire și înlocuiți senzorul de ieșire dacă este cazul.
Afișaj semnalizare: roșu luminează permanent, verde luminează intermitent	Senzorul de apă rece este defect.	Verificați partea electronică și înlocuiți partea electronică dacă este cazul.
fără apă caldă temperatura dorită > 45 °C nu este atinsă.	Temperatura de intrare apă rece este mai mare de 45 °C.	Reduceți în aparat temperatura intrare apă rece.
Afișaj semnalizare: roșu luminează permanent, verde luminează intermitent	Senzorul de ieșire este defect (scurtcircuit).	Verificați senzorul de ieșire și înlocuiți senzorul de ieșire dacă este cazul.

14. Întreținerea



AVERTIZARE Electrocutare
Separați aparatul de la rețea de la toți polii la efectuarea tuturor lucrărilor.

Golirea aparatului

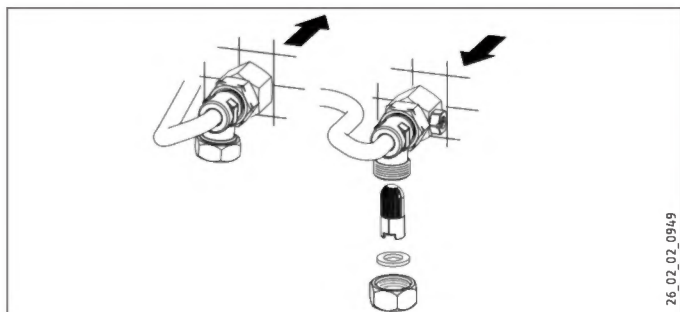
Puteți să goliți aparatul pentru lucrările de întreținere.



AVERTIZARE Arsură
La golirea aparatului se poate scurge apă încinsă.

- ▶ Închideți vana de blocare din niplul dublu sau din conducta de intrare a apei reci.
- ▶ Deschideți toate ventilele de extragere.
- ▶ Desfaceți racordurile de apă de la aparat.
- ▶ Depozitați aparatul demontat într-o încăpere ferită de îngheț, deoarece apa reziduală din aparat ar putea îngheța și provoca avarii.

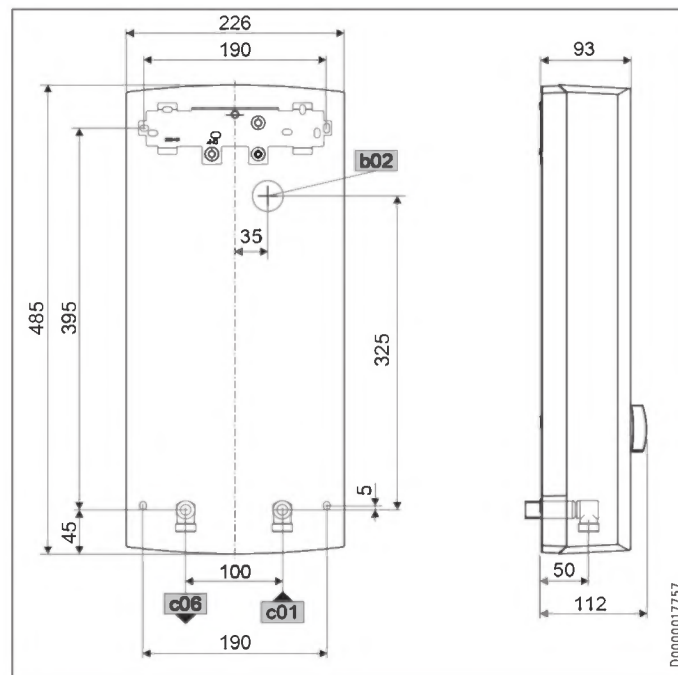
Curățați sita



În caz de murdărire, curățați sita din racordul filetat de apă rece. Închideți robinetul de închidere de pe conducta de intrare a apei reci înainte să demontați sita pentru curățare și remontați-o la loc.

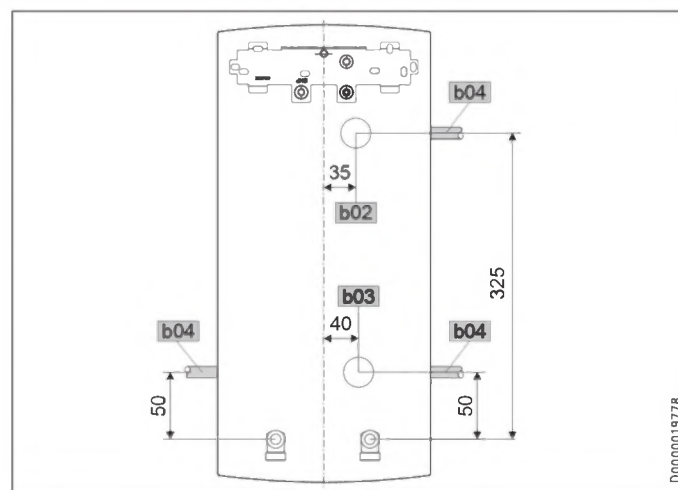
15. Date tehnice

15.1 Dimensiuni și racorduri



b02	Executarea cablărilor elect. I		
c01	Alimentarea cu apă rece	Filet exterior	G 1/2 A
c06	Evacuare apă caldă	Filet exterior	G 1/2 A

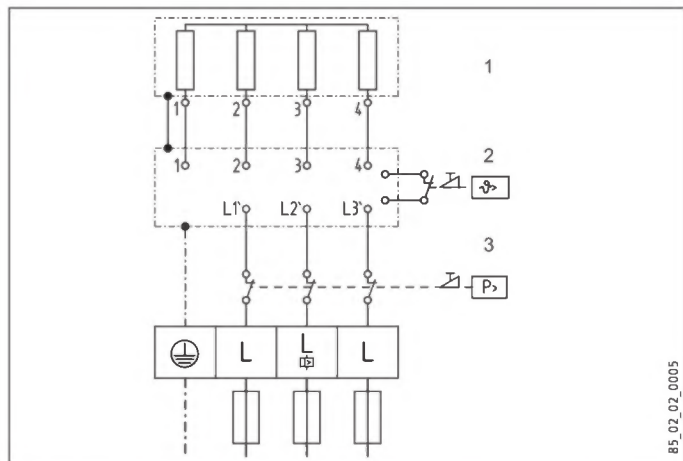
Posibilități alternative de racordare



b02	Executarea cablărilor electrice I		
b03	Executarea cablărilor electrice II		
b04	Executarea cablărilor electrice III		

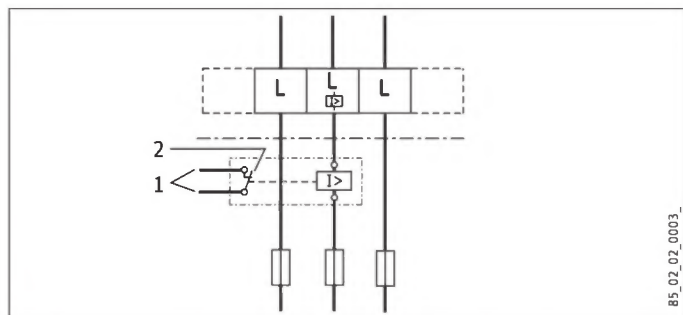
15.2 Schemă de conexiune electrică

3/PE ~ 380-415 V



- 1 Încălzire
- 2 Limitatorul temperaturii de siguranță
- 3 Limitatorul presiunii de siguranță

Conexiune prioritară cu LR 1-A



- 1 Cablu comandă pentru protecția conexiunii celui de-al 2-lea aparat (de ex. aparat electric de încălzire cu acumulare).
- 2 Contact comandă, se deschide în cazul conectării încălzitorului instant.

15.3 Capacitate apă caldă

Capacitatea de apă caldă este în funcție de tensiunea de rețea existentă, de puterea de conectare a aparatului și de temperatura de admisie a apei reci. Preluăți tensiunea nominală și puterea nominală de pe plăcuța de identificare (vezi „capitolul ”Remediarea problemelor”).

Putere racordată în kW		38 °C capacitate de apă caldă în L/min.				
Tensiune nominală		Temperatură intrare apă rece				
380 V	400 V	415 V	5 °C	10 °C	15 °C	20 °C
16,2			7,0	8,3	10,1	12,9
19			8,2	9,7	11,8	15,1
21,7			9,4	11,1	13,5	17,2
	18		7,8	9,2	11,2	14,3
	21		9,1	10,7	13,0	16,7
	24		10,4	12,2	14,9	19,0
		19,4	8,4	9,9	12,0	15,4
		22,6	9,8	11,5	14,0	17,9
		25,8	11,2	13,2	16,0	20,5

Putere racordată în kW		50 °C capacitate de apă caldă în L/min.				
Tensiune nominală		Temperatură intrare apă rece				
380 V	400 V	415 V	5 °C	10 °C	15 °C	20 °C
16,2			5,1	5,8	6,6	7,7
19			6,0	6,8	7,8	9,0
21,7			6,9	7,8	8,9	10,3
	18		5,7	6,4	7,3	8,6
	21		6,7	7,5	8,6	10,0
	24		7,6	8,6	9,8	11,4
		19,4	6,2	6,9	7,9	9,2
		22,6	7,2	8,1	9,2	10,8
		25,8	8,2	9,2	10,5	12,3

15.4 Domenii de utilizare / Tabel de conversie

Rezistența electrică specifică și conductibilitatea electrică specifică (vezi capitolul „Tabel cu date”).

Date normate la 15 °C			20 °C			25 °C		
Rezistență $\rho \geq$	Conductibilitate $\sigma \leq$		Rezistență $\rho \geq$	Conductibilitate $\sigma \leq$		Rezistență $\rho \geq$	Conductibilitate $\sigma \leq$	
$\Omega \text{ cm}$	mS/m	$\mu\text{S/cm}$	$\Omega \text{ cm}$	mS/m	$\mu\text{S/cm}$	$\Omega \text{ cm}$	mS/m	$\mu\text{S/cm}$
900	111	1111	800	125	1250	735	136	1361
1000	100	1000	890	112	1124	815	123	1227
1200	83	833	1070	93	935	985	102	1015
1300	77	769	1175	85	851	1072	93	933

15.5 Pierderile de presiune

Garnituri

Pierdere de presiune a garniturilor la debit volumetric 10 L/min		
Baterie cu monocomandă, cca.	MPa	0,04 - 0,08
Baterie termostatică, cca.	MPa	0,03 - 0,05
Pară de duș, cca.	MPa	0,03 - 0,15

Dimensionările rețelei de țevi

Pentru calculul dimensionărilor rețelei de țevi se recomandă o pierdere de presiune de 0,1 MPa pentru aparat.

15.6 Condiții de defectare

În caz de perturbație, în instalație pot surveni pe termen scurt supraîncărcări de maxim 95 °C la o presiune de 1,2 MPa.

15.7 Informații privind consumul de energie

Fișă de date produs: Preparator de apă caldă convențional conform ordonanței (UE) nr. 812/2013 | 814/2013

	PEY 18/21/24
	233993
Producător	STIEBEL ELTRON
Profil de sarcină	S
Clasa de eficiență energetică	A
Randamentul energetic	% 39
Consum anual energie electrică	kWh 477
Reglajul temperaturii din fabricație	°C 60
Nivelul puterii acustice	dB(A) 15
Indicații speciale privind măsurarea eficienței	Date la Pmax.
Consum zilnic de energie electrică	kWh 2,198

Date tehnice

15.8 Tabel de date

		PEY 18/21/24		
		233993		
Date electrice				
Tensiune nominală	V	380	400	415
Putere nominală	kW	16,2/19/21,7	18/21/24	19,4/22,6/25,8
Curent nominal	A	27,6/29,5/33,3	29/31/35	30,1/32,2/36,3
Siguranță	A	32/32/35	32/32/35	32/32/40
Frecvență	Hz	50/60	50/60	50/-
Faze				3/PE
Rezistență specifică $\rho_{15} \geq$ (la $\theta_{rece} \leq 25^\circ\text{C}$)	$\Omega \text{ cm}$	900	900	1000
Conductibilitate specifică $\sigma_{15} \leq$ (la $\theta_{rece} \leq 25^\circ\text{C}$)	$\mu\text{S/cm}$	1111	1111	1000
Rezistență specifică $\rho_{15} \geq$ (la $\theta_{rece} \leq 45^\circ\text{C}$)	$\Omega \text{ cm}$	1200	1200	1300
Conductibilitate specifică $\sigma_{15} \leq$ (la $\theta_{rece} \leq 45^\circ\text{C}$)	$\mu\text{S/cm}$	833	833	770
Impedanță max. rețea la 50Hz	Ω	0,284	0,270	0,260
Variante de execuție				
Generator de căldură sistem de încălzire				Fir neizolat
Bloc de izolare				Plastic
Puterea racordată selectabilă				X
Reglajul temperaturii	$^\circ\text{C}$			cca.30-60
Capacul și panoul spate				Plastic
Clasă de protecție (IP)				IP25
Culoare				alb
Racorduri				
Racord apă				G 1/2 A
Limite de utilizare				
Presiune maximă admisă	MPa			1
Temperatură maximă de intrare apă pentru încălzire suplimentară	$^\circ\text{C}$			45
Valori				
Temperatură maximă admisă de intrare apă	$^\circ\text{C}$			60
Pornit	l/min			>3
Debit volumetric pentru pierderea de presiune	l/min			5,2/6,0/6,9
Pierdere presiune la debit volumetric	MPa			0,08/0,10/0,13 (0,06/0,08/0,10 fără DMB)
Limitarea debitului volumetric la	l/min			8,0
Prepararea apei calde	l/min			9,4/11,0/12,6
$\Delta\theta$ la preparare	K			26
Date hidraulice				
Capacitate nominală	l			0,4
Dimensiuni				
Înălțime	mm			485
Lățime	mm			226
Adâncime	mm			93
Mase				
Masa	kg			3,6



Indicație

Aparatul corespunde cu IEC 61000-3-12.

Garanție

Pentru aparatele procurate din afara Germaniei nu sunt valabile condițiile de garanție ale societăților noastre din Germania. Mai mult, în țările în care produsele noastre sunt distribuite de una din filialele noastre, o garanție este acordată numai de către aceste filiale. O asemenea garanție se acordă numai atunci când filiala a editat propriile condiții de garanție. Nu se acordă nici un fel de garanție în afara de aceasta.

Pentru aparatele care au fost procurate din țări în care nici o filială de a noastră nu distribuie produsele noastre, nu acordăm nici un fel de garanție. Posibilele garanții acordate de către importator rămân de aceea neafectate.

Mediu și reciclare

Vă rugăm să ajutați la protecția mediului. Eliminați materialele după utilizare conform prescripțiilor naționale.

UDHËZIME TË VEÇANTA

PËRDORIMI

1.	Udhëzime të përgjithshme	93
1.1	Udhëzimet e sigurisë	93
1.2	Shënime të tjera në këtë dokumentacion	94
1.3	Njësitë matëse	94
2.	Siguria	94
2.1	Përdorimi sipas përcaktimeve	94
2.2	Udhëzimet e përgjithshme të sigurisë	94
2.3	Shenja e kontrollit	94
3.	Përshkrimi i pajisjes	94
4.	Cilësimet	95
4.1	Rekomandimet e konfigurimit	95
5.	Pastrimi, kujdesi dhe mirëmbajtja	95
6.	Eliminimi i problemit	95

INSTALIMI

7.	Siguria	96
7.1	Udhëzimet e përgjithshme të sigurisë	96
7.2	Funksionimi i dushit	96
7.3	Rregulloret, standardet dhe përcaktimet	96
8.	Përshkrimi i pajisjes	96
8.1	Përmbajtja e paketimit në dorëzim	96
9.	Përgatitjet	96
9.1	Vendi i montimit	96
9.2	Instalimi i ujit	97
10.	Montimi	97
10.1	Montimi standard	97
10.2	Alternativat e montimit	100
10.3	Përfundoni montimin	102
11.	Vënia në punë	102
11.1	Vënia në punë për herë të parë	102
11.2	Rivënia në punë	103
12.	Dalja jashtë përdorimit	103
13.	Eliminimi i defektit	103
14.	Mirëmbajtja	104
15.	Të dhënat teknike	104
15.1	Përmasat dhe lidhjet	104
15.2	Diagrami i qarkut elektrik	105
15.3	Fuqia e ujit të ngrohtë	105
15.4	Zonat e përdorimit / tabela e kthimit	105
15.5	Humbjet e presionit	105
15.6	Kushtet në rast defekti	105
15.7	Të dhënat për konsumin e energjisë	105
15.8	Tabela e të dhënave	106

GARANCIA

MJEDISI DHE RICIKLIMI

UDHËZIME TË VEÇANTA

- Pajisja mund të përdoret nga fëmijët mbi 3 vjeç si dhe nga persona me aftësi fizike, shqisore ose mendore të reduktuara ose me mungesë përvoja dhe njohurish, nëse ata mbikëqyren ose janë udhëzuar në lidhje me përdorimin e sigurt të pajisjes dhe i kanë kuptuar rreziqet që rezultojnë si rrjedhojë e kësaj. Fëmijët nuk duhet të luajnë me pajisjen. Pastrimi dhe mirëmbajtja që kryhen nga përdoruesi nuk duhen kryer nga fëmijët pa mbikëqyrje.
- Rubineti mund të pranojë një temperaturë deri në 60 °C. Kur temperaturat e rrjedhjes janë më të mëdha se 43 °C ekziston rreziku i përvëlimit.
- Pajisja është e përshtatshme për furnizimin e një dushi (funksionimi i dushit). Nëse pajisja përdoret edhe ose vetëm për funksionimin e dushit, atëherë specialisti duhet të aktivizojë zonën e konfigurimit të temperaturës nëpërmjet kufizimit të temperaturës (Tred = 55 °C) në pajisje. Në rastin e përdorimit të ujit të ngrohur paraprakisht duhet siguruar që të mos tejkalohet një temperaturë e furnizimit prej 55 °C.
- Pajisja duhet të jetë në gjendje të ndahet nga lidhja e rrjetit në të gjitha polet me një distancë ndarëse prej të paktën 3 mm.
- Tensioni i specifikuar duhet të përputhet me tensionin e rrjetit.
- Pajisja duhet lidhur te përcjellësi mbrojtës i tokëzimit.
- Pajisja duhet lidhur në mënyrë të qëndrueshme me një instalim elektrik fiks.
- Fiksoni pajisjen siç përshkruhet në kapitullin «Instalimi / Montimi».

- Kini parasysh presionin maksimal të lejuar (shihni kapitullin «Instalimi / Të dhënat teknike / Tabela e të dhënave»).
- Rezistenca specifike e ujit të rrjetit të furnizimit me ujë nuk duhet tejkaluar (shihni kapitullin «Instalimi / Të dhënat teknike / Tabela e të dhënave»).
- Zbrazni pajisjen siç përshkruhet në kapitullin «Instalimi / Mirëmbajtja / Zbrazja e pajisjes».

PËRDORIMI

1. Udhëzime të përgjithshme

Kapitujt «Udhëzime të veçanta» dhe «Përdorimi» i drejtohen përdoruesve të pajisjes dhe specialistëve.

Kapitulli «Instalimi» i drejtohet specialistëve.



Udhëzim

Lexoni me kujdes manualin përpara përdorimit dhe ruajeni atë.

Nëse është e nevojshme jepjani manualin një përdoruesi pasardhës.

1.1 Udhëzimet e sigurisë

1.1.1 Struktura e udhëzimeve të sigurisë



FJALA SINJALIZUESE Lloji i rrezikut
Këtu janë dhënë pasojat e mundshme në rastin e mosrespektimit të udhëzimeve të sigurisë.

► Këtu janë dhënë masat për vetëmbrojtjen nga rreziku.

1.1.2 Simbolet, lloji i rrezikut

Simboli	Lloji i rrezikut
	Lëndimi
	Goditja e energjisë elektrike
	Djegia (Djegia, përvëlimi)

1.1.3 Fjalët sinjalizuese

FJALA SINJALIZUESE	Kuptimi
RREZIK	Udhëzime, mosrespektimi i të cilave ka si pasojë lëndime të rënda ose vdekje.
PARALAJMËRIM	Udhëzime, mosrespektimi i të cilave mund të ketë si pasojë lëndime të rënda ose vdekje.
KUJDES	Udhëzime, mosrespektimi i të cilave mund të çojë në lëndime mesatarisht të rënda ose të lehta.

1.2 Shënime të tjera në këtë dokumentacion



Udhëzim

Udhëzimet e përgjithshme identifikohen me simbolin shoqërues.

► Lexoni me kujdes tekstet udhëzuese.

Simboli	Kuptimi
	Dëmet materiale (Dëmet e pajisjes, dëmet me pasoja, dëmet e mjedisit)
	Hedhja e pajisjeve

► Ky simbol ju tregon që duhet të bëni diçka. Veprimet e nevojshme përshkruhen hap pas hapi.

1.3 Njësitë matëse



Udhëzim

Nëse nuk jepet ndryshe, të gjitha përmasat janë në milimetra.

2. Siguria

2.1 Përdorimi sipas përcaktimeve

Pajisja me presion shërben për ngrohjen e ujit të pijshëm ose për ringrohjen e ujit të ngrohur paraprakisht. Pajisja mund të furnizojë një ose disa pika të marrjes.

Pajisja është parashikuar për përdorimin në mjedisin shtëpiak. Ajo mund të përdoret në mënyrë të sigurt nga persona të patrajnuar. Në mjedisin joshhtëpiak, p.sh. në punishte të vogla, pajisja mund të përdoret gjithashtu, për aq kohë sa përdorimi bëhet në mënyrë të njëjtë.

Çdo përdorim tjetër ose përdorimi që shkon përtej kësaj konsiderohet të mos jetë sipas përcaktimeve. Për përdorimin sipas përcaktimeve përfshihet edhe zbatimi i këtij manuali si dhe manualët për aksesoret e përdorur.

2.2 Udhëzimet e përgjithshme të sigurisë



KUJDES Djegie

Rubineti mund të pranojë një temperaturë deri në 60 °C. Kur temperaturat e rrjedhjes janë më të mëdha se 43 °C ekziston rreziku i përvëlimit.



KUJDES Djegie

Temperatura e ujit të ngrohtë në rastin e funksionimit me ujë të ngrohur paraprakisht, p.sh. e një impianti diellor, mund të ndryshojë nga temperatura e konfiguruar e synuar.



PARALAJMËRIM Lëndimi

Pajisja mund të përdoret nga fëmijët mbi 3 vjeç si dhe nga persona me aftësi fizike, shqisore ose mendore të reduktuara ose me mungesë përvoja dhe njohurish, nëse ata mbikëqyren ose janë udhëzuar në lidhje me përdorimin e sigurt të pajisjes dhe i kanë kuptuar rreziqet që rezultojnë si rrjedhojë e kësaj. Fëmijët nuk duhet të luajnë me pajisjen. Pastrimi dhe mirëmbajtja që kryhen nga përdoruesi nuk duhen kryer nga fëmijët pa mbikëqyrje.

Në rast se fëmijët ose personat me aftësi fizike, shqisore ose mendore të kufizuara e përdorin pajisjen, ne rekomandojmë një kufizim të vazhdueshëm të temperaturës. Kufizimi mund të konfigurohet nga një specialist.



Dëmet materiale

Pajisja dhe rubineti duhen mbrojtur nga ngrica nga përdoruesi.

2.3 Shenja e kontrollit

Shihni etiketën e tipeve në pajisje.

3. Përshkrimi i pajisjes

Nxehësi i rrjedhjes i kontrolluar nga sistemi elektronik me përshtatje automatike të fuqisë e mban konstante temperaturën e rrjedhjes deri në kufirin e fuqisë. Më pas, temperatura zgjidhet nëpërmjet rubinetit së marrjes.

Temperatura e ujit të ngrohtë

Temperaturën e rrjedhjes së ujit të ngrohtë mund ta konfiguroni pa nivele.

Kufizimi i brendshëm i temperaturës (specialisti)

Specialisti mund të aktivizojë me dëshirë një kufizim të vazhdueshëm të temperaturës.

Në rastin e furnizimit të një dushi, specialisti duhet të aktivizojë kufizimin e temperaturës.

Sistemi i ngrohjes

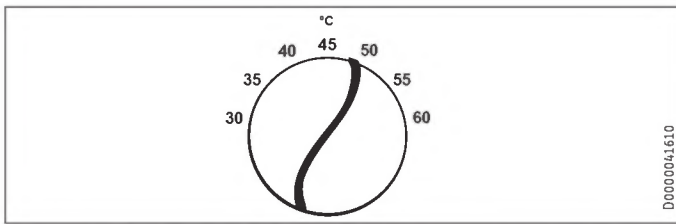
Sistemi i ngrohjes me tela të zhveshur ka një shtresë plastike rezistente ndaj presionit. Sistemi i ngrohjes është përshtatur për ujëra me pak kalcium dhe me përmbajtje gëlqerore, ai është kryesisht i pandjeshëm kundrejt kalcifikimit. Sistemi i ngrohjes siguron një furnizim të shpejtë dhe efikas me ujë.



Udhëzim

Pajisja është e pajisur me një identifikues të ajrit, i cili parandalon kryesisht një dëmtim të sistemit të ngrohjes. Nëse gjatë funksionimit futet ajër në pajisje, atëherë pajisja e çaktivizon për një minutë kapacitetin ngrohës dhe në këtë mënyrë mbron sistemin e ngrohjes.

4. Cilësimet



- ▶ Rrotulloni butonin e konfigurimit të temperaturës në pozicionin e dëshiruar.

Nëse rubineti është plotësisht i hapur dhe nëse konfigurimi maksimal i temperaturës nuk e ka arritur temperaturën e mjaftueshme të rrjedhjes, atëherë del më shumë ujë nga pajisja, nga sa mund të ngrohë ngrohësi.

- ▶ Reduktoni sasinë e rrjedhjes në rubinet.

4.1 Rekomandimet e konfigurimit

Nxehësi juaj i rrjedhjes kujdeset për saktësinë dhe komoditetin maks. të ofrimit të ujit të ngrohtë. Megjithatë, nëse e vini në punë pajisjen me një rubinet me termostat, ne rekomandojmë:

- ▶ Konfiguroni temperaturën në pajisje në temperaturën maksimale. Më pas, konfiguroni temperaturën e synuar të dëshiruar në rubinetin me termostat.

Kurseni energji

Energjia minimale ju nevojitet për cilësimet e mëposhtme të rekomanduara nga ne:

- 38 °C për lavamanin për larjen e duarve, dushin, vaskën
- 55 °C për lavapjatën

Rekomandimi i konfigurimit në rastin e funksionimit me një rubinet me termostat dhe ujë i ngrohur paraprakisht me panel diellor

- ▶ Konfiguroni temperaturën në pajisje në temperaturën maksimale.

Pas ndërprerjes së furnizimit me ujë



Dëmet materiale

Në mënyrë që sistemi i ngrohjes me tela të zhveshur të mos priset pas ndërprerjes së furnizimit me ujë, pajisja duhet vënë përsëri në punë me hapat e mëposhtëm.

- ▶ Kaloni pajisjen pa tension, duke çaktivizuar siguresat.
- ▶ Hapni rubinetin për një minutë, derisa pajisja dhe tubacioni i ujit të ftohtë të lidhur paraprakisht të jenë pa ajër.
- ▶ Ndizni përsëri tensionin e rrjetit.

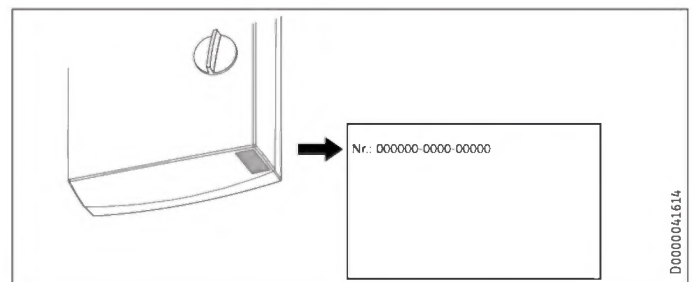
5. Pastrimi, kujdesi dhe mirëmbajtja

- ▶ Mos përdorni produkte pastrimi gërryese ose që treten. Për kujdesin dhe pastrimin e pajisjes mjafton një pecetë e lagur.
- ▶ Kontrolloni rregullisht rubinetët. Ju mund ta hiqni gëlqeren te daljet e rubinetit me zhgëlqerëzues të disponueshëm në treg.

6. Eliminimi i problemit

Problemi	Shkaku	Eliminimi
Pajisja nuk ndizet pavarësisht se valvula e ujit të ngrohtë është e hapur plotësisht.	Nuk ka tension.	Kontrolloni siguresat në instalimin e shtëpisë.
Temperatura e dëshiruar > 45 °C nuk arrihet.	Sasia e rrjedhjes është shumë e vogël. Rregullatori i currilit të ujit në rubinet ose në kokën e dushit është i kalçifikuar ose i ndotur.	Pastroni dhe / ose zhgëlqerëzoni rregullatorin e currilit të ujit ose kokën e dushit.
Temperatura e furnizimit me ujë të ftohtë është > 45 °C.	Furnizimi me ujë është ndërprerë.	Ajrosni pajisjen dhe tubacionin e furnizimit me ujë të ftohtë (shihni kapitullin «Cilësimet»).
	Temperatura e furnizimit me ujë të ftohtë është > 45 °C.	Ulni temperaturën e furnizimit me ujë të ftohtë.

Nëse nuk mund ta eliminoni shkahun, thërrisni një specialist. Për ndihmë më të mirë dhe më të shpejtë jepini atij numrin e etiketës së tipeve me (000000-0000-00000).



INSTALIMI

7. Siguria

Instalimi, vënia në punë si dhe mirëmbajtja dhe riparimi i pajisjes duhen kryer vetëm nga një specialist.

7.1 Udhëzimet e përgjithshme të sigurisë

Ne garantojmë një funksionim pa probleme dhe të sigurt vetëm nëse përdoren aksesoret origjinale të posaçëm për pajisjen dhe pjesë këmbimi origjinale.



Dëmet materiale

Kini parasysh temperaturën maksimale të furnizimit. Kur temperaturat janë të larta, pajisja mund të dëmtohet. Me montimin e një rubineti qendror me termostat ju mund të kufizoni temperaturën maksimale të furnizimit.



PARALAJMËRIM Goditja nga energjia elektrike

Kjo pajisje përmban kondensatorë, të cilët shkarkohen pas shkëputjes nga rrjeti i energjisë elektrike. Nëse është e nevojshme, tensioni i shkarkimit të kondensatorit, mund të jetë për një kohë të shkurtër > 60 V DC.

7.2 Funksionimi i dushit



KUJDES Djegie

► Në rastin e furnizimit të një dushi konfiguroni kufizimin e brendshëm të temperaturës në «Tred», shihni kapitullin «Alternativat e montimit / Kufizimi i temperaturës».



KUJDES Djegie

Në rastin e furnizimit të pajisjes me ujë të ngrohur paraprakisht kini parasysh udhëzimin e mëposhtëm: Kufizimi i brendshëm i konfigurueshëm i temperaturës tejkalohet nëse është e nevojshme.

► Kufizoni temperaturën me një rubinet qendror me termostat të ndezur paraprakisht.

7.3 Rregulloret, standardet dhe përcaktimet



Udhëzim

Kini parasysh të gjitha rregulloret dhe përcaktimet kombëtare dhe rajonale.

- Mbrojtja IP 25 (e mbrojtur nga currili i ujit) është e garantuar vetëm nëse lidhësi i kabllos është montuar siç duhet.
- Rezistenca elektrike specifike e ujit nuk duhet të jetë më e vogël nga ajo që është dhënë në etiketën e tipeve. Në rastin e një rrjeti të lidhur me ujë duhet të merret parasysh rezistenca minimale elektrike e ujit (shihni kapitullin «Të dhënat teknike / Zona e përdorimit / Tabela e kthimit»). Rezistencën elektrike specifike ose përcueshmërinë elektrike të ujit e mësoni pranë kompanisë suaj e furnizimit me ujë.

8. Përshkrimi i pajisjes

8.1 Përmbajtja e paketimit në dorëzim

Me pajisjen dorëzohen:

- Varësja e murit
- Buloni me fileto për varësen e murit
- Shablloni i montimit
- 2 manikota dyshe (ujë i ftohtë me valvulën e bllokimit)
- Guarnicionet e sheshta
- Lidhësi i kabllos (linja elektrike sipër / poshtë)
- Vidat / takot për fiksimin në murin e pasmë në lidhjen e ujit jashtë murit

Për ndërrimin e pajisjes:

- 2 zgjatues për rubinet

9. Përgatitjet

9.1 Vendi i montimit



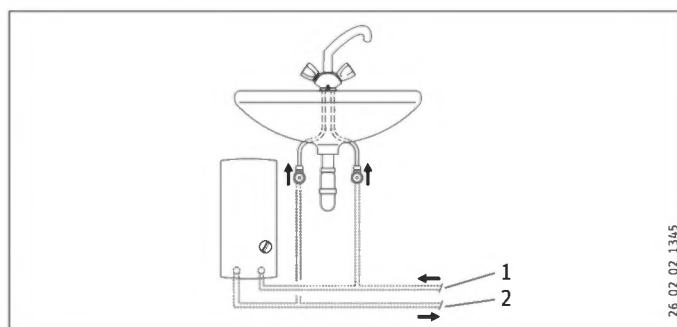
Dëmet materiale

Instalimi i pajisjes duhet kryer vetëm në një ambient pa ngricë.

- Montoni pajisjen horizontalisht dhe në afërsi të pikës së marrjes.

Pajisja është e përshtatshme për një montim nën dhe mbi banak.

Montimi nën banak

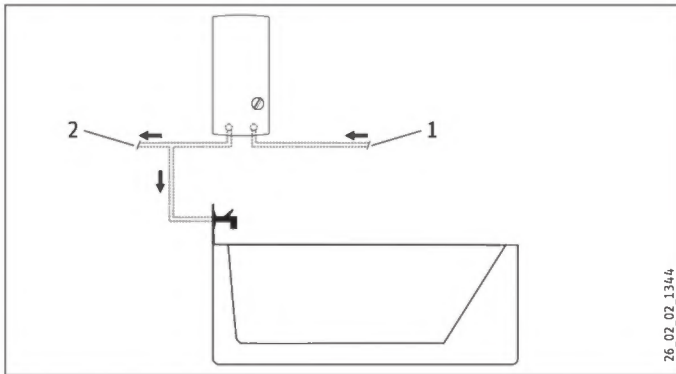


- 1 Furnizimi me ujë të ftohtë
- 2 Rrjedhja e ujit të ngrohtë

INSTALIMI

Montimi

Montimi mbi banak



- 1 Furnizimi me ujë të ftohtë
- 2 Rrjedhja e ujit të ngrohtë



Udhëzim

- Montoni pajisjen në mur. Muri duhet të ketë aftësi mbajtëse të mjaftueshme.

9.2 Instalimi i ujit

- Një valvul e sigurisë nuk është e nevojshme.
- Valvulat e sigurisë në tubacionin e ujit të ngrohtë nuk janë të lejuara.
- Shpëlani mirë tubacionin e ujit.
- Sigurohuni që rryma e vëllimit (shihni «Të dhënat teknike / Tabela e të dhënave», Ndezur) të arrihet për ndezjen e pajisjes. Nëse rryma e vëllimit nuk arrihet, merrni kufizuesin e sasisë së rrjedhjes (shihni kapitullin «Montimi / Marrja e kufizuesit të sasisë së rrjedhjes»).
- Risni presionin e tubacionit të ujit, në rast se nuk arrihet rryma e nevojshme e vëllimit kur valvula e marrjes është e hapur plotësisht.

Rubinetët

Përdorni rubinetët e përshtatshëm të presionit. Rubinetët e hapur nuk janë të lejuar.



Udhëzim

Nuk duhet ta përdorni valvulën e bllokimit në furnizimin me ujë të ftohtë për uljen e rrjedhjes. Ajo shërben për bllokimin e pajisjes.

Lëndët e miratuara të tubacioneve të ujit

- Tubacioni i furnizimit me ujë të ftohtë: tub çeliku i galvanizuar me zjarr, tub çeliku inoks, tub bakri ose tub plastik
- Tubacioni i rrjedhjes së ujit të ngrohtë: Tub çeliku inoks, tub bakri ose tub plastik



Dëmet materiale

Gjatë përdorimit të sistemeve të tubave plastikë kini parasysh temperaturën maksimale të furnizimit dhe presionin maksimal të lejuar (shihni kapitullin «Të dhënat teknike / Tabela e të dhënave»).

Tubacionet fleksibël të lidhjes së ujit

- Në rastin e instalimit me tubacione fleksibël të lidhjes së ujit parandaloni një rrotullim të bërrylave të tubit me lidhjet bajonet në pajisje.
- Fiksoni murin e pasmë me dy vida shtesë poshtë.

10. Montimi

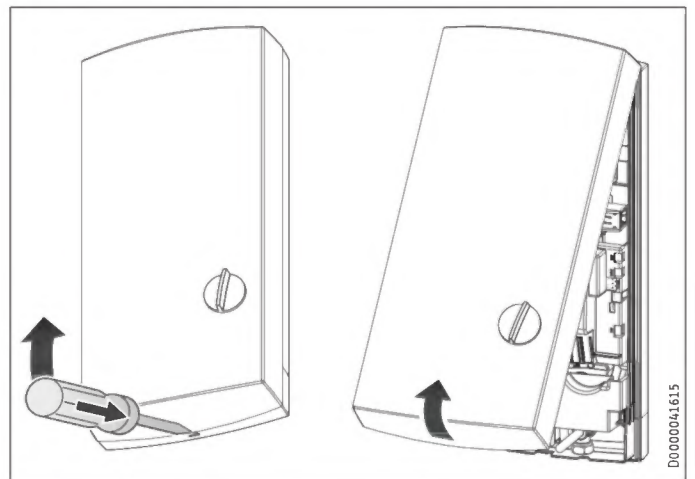
10.1 Montimi standard

- Lidhja elektrike sipër, instalimi inkaso
- Lidhja e ujit, instalimi inkaso
- lidhja elektrike e mesit e konfiguruar paraprakisht

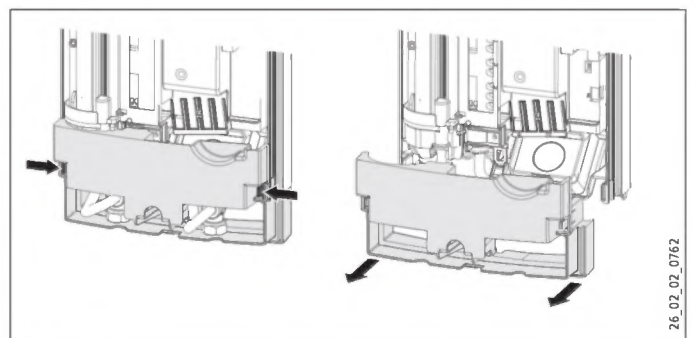
Mundësi të tjera të montimit, shihni kapitullin «Alternativat e montimit»:

- Lidhja elektrike inkaso poshtë
- Lidhja elektrike jashtë murit
- Lidhja e një releje të shkarkimit të ngarkesës
- Instalimi i ujit jashtë murit
- Lidhja e ujit inkaso në rastin e ndërrimit të pajisjes
- Funkcionimi me ujë të ngrohur paraprakisht
- Kufizimi i temperaturës

Hapni pajisjen



- Hapni pajisjen, duke zhblokuar mbylljen e fiksuar.

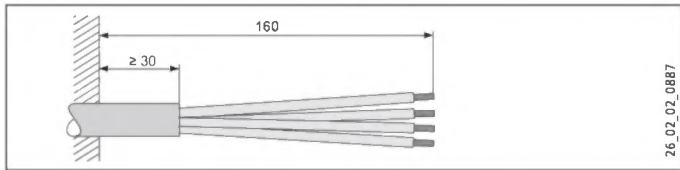


- Ndani murin e pasmë, duke shtypur të dy grepat e fiksimit dhe duke nxjerrë përpara pjesën e poshtme të murit të pasmë.

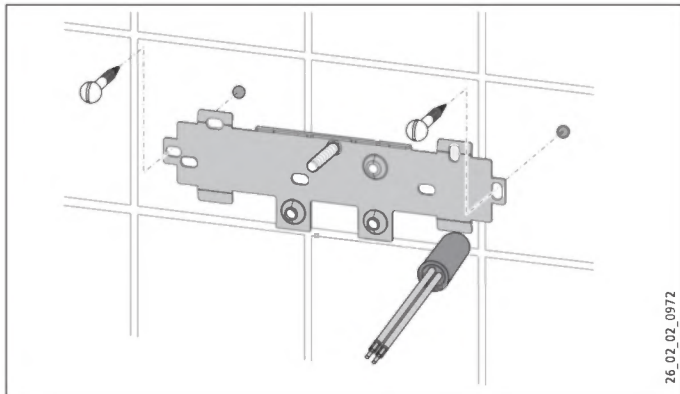
INSTALIMI

Montimi

Përgatitni kabllon e lidhjes së rrjetit

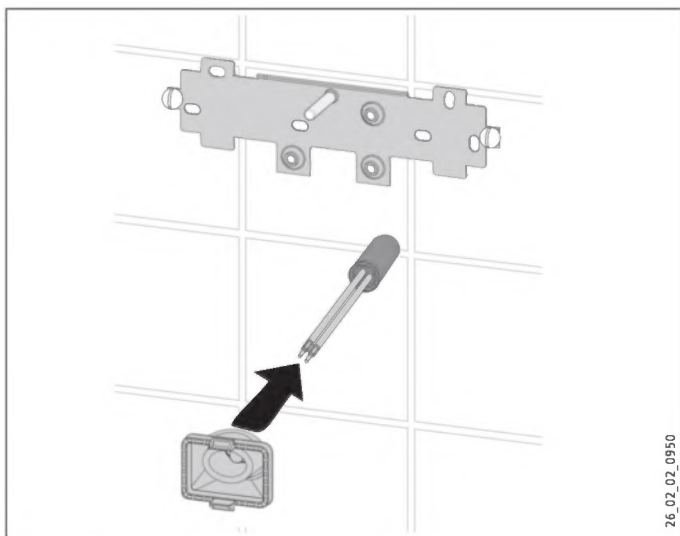


Montoni varësen në mur



- ▶ Shënoni vrimat e shpimit me shabllonin e montimit. Në rastin e montimit me lidhjet e ujit të shtrira jashtë murit, duhet të shënoni gjithashtu edhe vrimat e fiksimit në pjesën e poshtme të shabllonit.
- ▶ Shponi vrimat dhe fiksoni varësen në mur me 2 vida dhe 2 tako (vidat dhe takot nuk janë të përfshira në paketim).
- ▶ Montoni bulonin e bashkëngjitur me fileto.
- ▶ Montoni varësen e murit.

Montoni lidhësin e kablllos



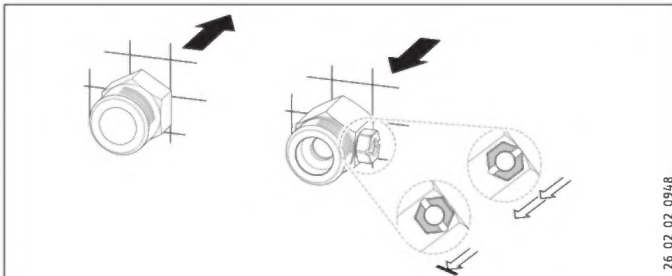
- ▶ Montoni lidhësin e kablllos. Në rastin e një kabloje lidhëse > 6 mm² duhet të zmadhoni vrimën në lidhësin e kablllos.

Vendosni lidhjen e ujit



Dëmet materiale

Përfundoni të gjitha punimet e lidhjes së ujit dhe instalimit sipas rregullores.



- ▶ Izoloni dhe vidhosni manikotën dyshe.



Dëmet materiale

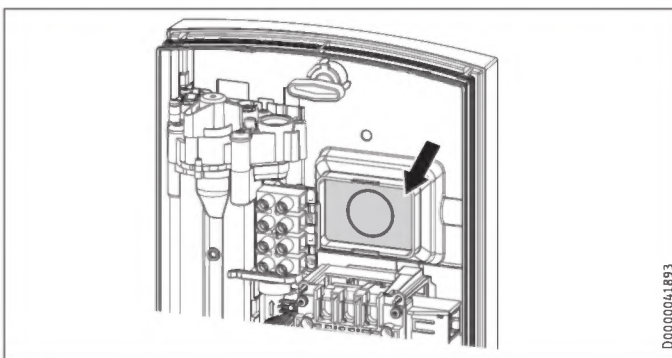
Nuk duhet ta përdorni valvulën e bllokimit në furnizimin me ujë të ftohtë për uljen e rrjedhjes.

Përgatitni murin e pasmë



Dëmet materiale

Nëse hapni pa dashje një vrimë të gabuar në murin e pasmë, atëherë duhet të përdorni një mur të ri të pasmë.

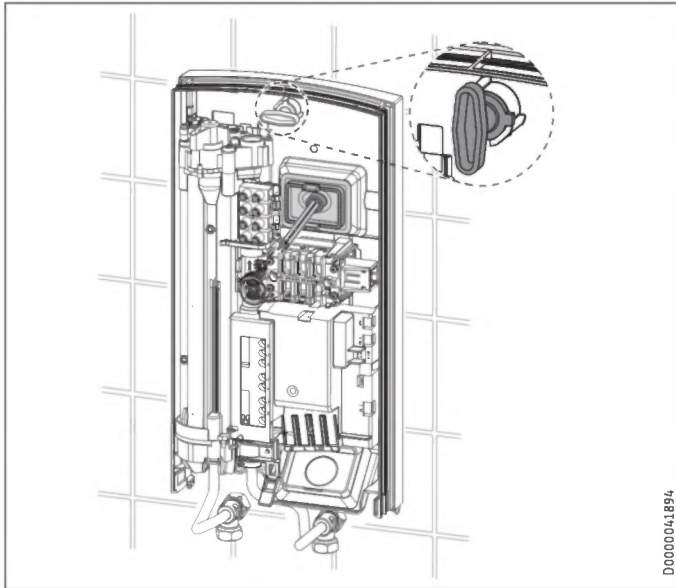


- ▶ Pastroni vendin e hapur për lidhësin e kablllos në murin e pasmë. Nëse është e nevojshme pastroni cepat e mprehtë me një limë.

INSTALIMI

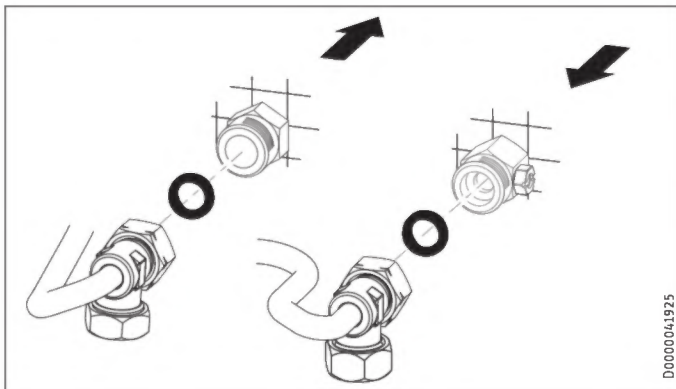
Montimi

Montoni pajisjen



D0000041894

- ▶ Vendosni murin e pasmë nëpërmjet bulonit me fileto dhe lidhësit të kabllor. Tërhiqni lidhësin e kabllor me ndihmën e një pince në grepat e fiksimit në murin e pasmë, derisa të dy grepat e fiksimit të fiksohen në mënyrë që të dëgjohen.
- ▶ Hiqni tapën mbrojtëse të transportit nga lidhjet e ujit.
- ▶ Ngjeshni fort murin e pasmë dhe bllokoni me çelësin e fiksimit duke e rrotulluar në të djathtë me 90°.



D0000041925

- ▶ Vidhosni tubat e lidhjes së ujit me guarnicione të sheshta në manikotën dyshe.



Dëmet materiale

Për funksionin e pajisjes kullesa duhet të jetë e montuar.

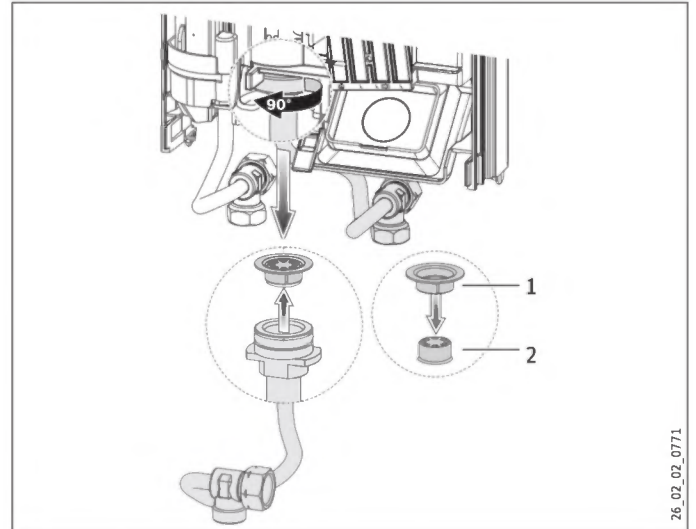
- ▶ Gjatë ndërrimit të pajisjes kontrolloni nëse kullesa është e disponueshme (shihni kapitullin «Mirëmbajtja»).

Hiqni kufizuesin e sasisë së rrjedhjes



Dëmet materiale

Nëse përdorni një rubinet me termostat, kufizuesi i sasisë së rrjedhjes nuk duhet hequr.



26_02_02_0771

- 1 Guarnicioni plastik
- 2 Kufizuesi i sasisë së rrjedhjes

- ▶ Hiqni kufizuesin e sasisë së rrjedhjes dhe vendosni përsëri guarnicionin plastik.

Vendosni lidhjen elektrike



PARALAJMËRIM Goditja nga energjia elektrike

Bëjini të gjitha proceset e lidhjes elektrike dhe instalimit sipas rregullores.



PARALAJMËRIM Goditja nga energjia elektrike

Lidhja në rrjetin e rrymës është e lejuar vetëm si lidhje fikse në lidhje me lidhësin që mund të hiqet të kabllor. Pajisja duhet të jetë në gjendje të ndahet nga lidhja e rrjetit në të gjitha polet me një distancë ndarëse prej të paktën 3 mm.



PARALAJMËRIM Goditja nga energjia elektrike

Sigurohuni që pajisja të jetë e lidhur në përcjellësin mbrojtës të tokëzimit.



Dëmet materiale

Kini parasysh etiketën e tipeve. Tensioni i specifikuar duhet të përputhet me tensionin e rrjetit.

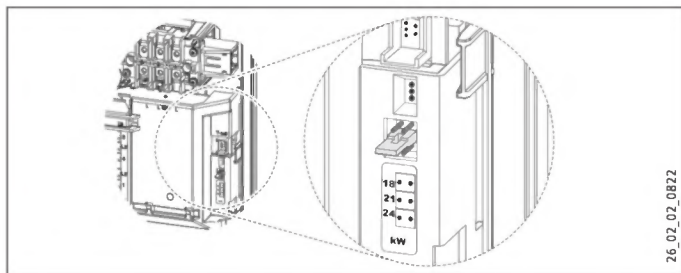
- ▶ Lidhni kabllon e lidhjes elektrike te kapëset e lidhjes së rrjetit (shihni kapitullin «Të dhënat teknike / Diagrami i qarkut elektrik»).

INSTALIMI

Montimi

Fusni sërish spinën e kodimit

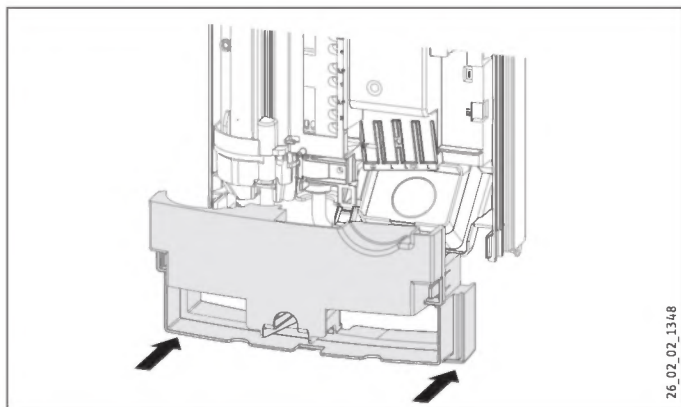
Në rastin e dorëzimit pajisja është kaluar në 21 kW. Në rastin e ndërrimit me një lidhje tjetër elektrike duhet të ndërmerrni hapat e mëposhtëm:



26_02_02_08122

- ▶ Fusni përsëri spinën e kodimit në përputhje me lidhjen elektrike të zgjedhur (për lidhjen elektrike të zgjedhshme dhe sigurimin e pajisjes shihni kapitullin «Të dhënat teknike / Tabela e të dhënave»).
- ▶ Shënoni me kryq lidhjen elektrike të zgjedhur në etiketën e tipeve. Për këtë përdorni një stilolaps.

Montoni pjesën e poshtme të murit të pasmë

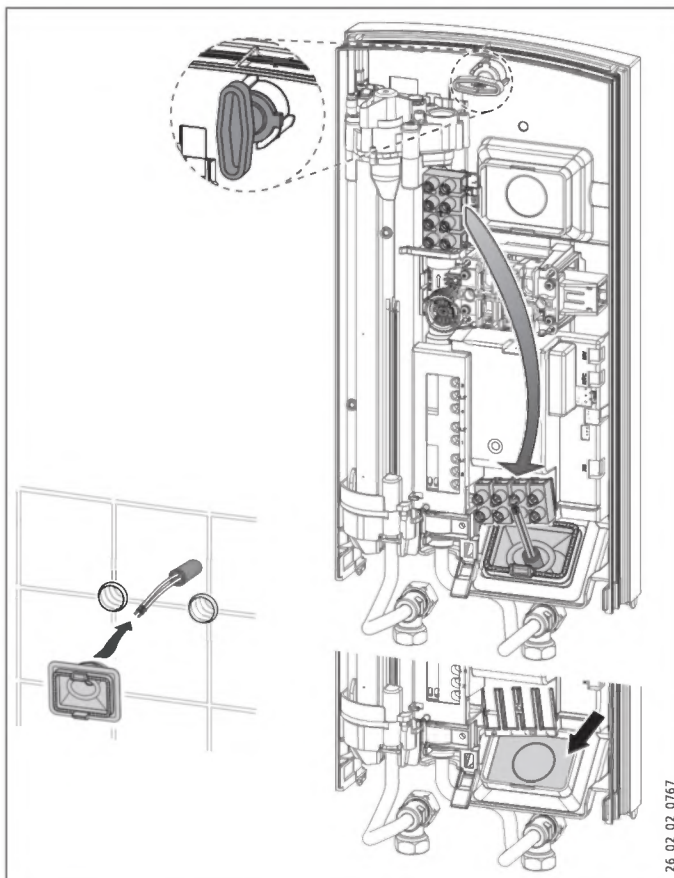


26_02_02_13448

- ▶ Montoni pjesën e poshtme të murit të pasmë në murin e pasmë dhe fiksojeni pjesën e poshtme të murit të pasmë.
- ▶ Rregulloni pajisjen e montuar duke e liruar me çelësin fiksues, duke përshtatur lidhjen elektrike dhe murin e pasmë dhe duke e vidhosur përsëri fort me çelësin e fiksimit. Nëse muri i pasmë i pajisjes nuk vendoset, atëherë mund ta fiksoni pajisjen poshtë me dy vida shtesë.

10.2 Alternativat e montimit

10.2.1 Lidhja elektrike inkaso poshtë



26_02_02_07167

- ▶ Montoni lidhësin e kablllos.



Dëmet materiale

Nëse hapni pa dashje një vrimë të gabuar në murin e pasmë, atëherë duhet të përdorni një mur të ri të pasmë.

- ▶ Pastroni vendin e hapur për lidhësin e kablllos në murin e pasmë. Nëse është e nevojshme pastroni cepat e mprehtë me një limë.
- ▶ Lëvizeni kapësen e lidhjes së rrjetit në pajisje nga lart poshtë.
- ▶ Vendosni murin e pasmë nëpërmjet bulonit me fileto dhe lidhësit të kablllos. Tërhiqni lidhësin e kablllos me ndihmën e një pince në grepat e fiksimit në murin e pasmë, derisa të dy grepat e fiksimit të fiksohen në mënyrë që të dëgjohen.
- ▶ Ngjeshni fort murin e pasmë dhe bllokoni me çelësin e fiksimit duke e rrotulluar në të djathtë me 90°.

INSTALIMI

Montimi

10.2.2 Lidhja elektrike jashtë murit



Udhëzim

- Në rastin e kësaj lloj lidhjeje mbrojtja e pajisjes ndryshon.
- ▶ Ndryshoni etiketën e tipeve. Hiqini një vizë të dhënave IP 25 dhe shënoni me kryq kutizën IP 24. Për këtë përdorni një stilolaps.



Dëmet materiale

Nëse hapni pa dashje një vrimë të gabuar në murin e pasmë, atëherë duhet të përdorni një mur të ri të pasmë.

- ▶ Prisni ose shkëputni me kujdes kalimin që nevojitet në murin e pasmë (për pozicionet shihni kapitullin «Të dhënat teknike / Përmasat dhe lidhjet»). Nëse është e nevojshme pastroni cepat e mprehtë me një limë.
- ▶ Kaloni kabllon e lidhjes elektrike përmes lidhësit të kabllos dhe lidhni atë me kapësen e lidhjes së rrjetit.

10.2.3 Lidhja e një releje të shkarkimit të ngarkesës

Përdorni një rele të shkarkimit të ngarkesës në kombinim me pajisje të tjera elektrike, p.sh. pajisje elektrike që e ruajnë nxehtësinë, në shpërndarjen elektrike. Shkarkimi i ngarkesës bëhet në rastin e funksionimit të nxehtësit të rrjedhjes.



Dëmet materiale

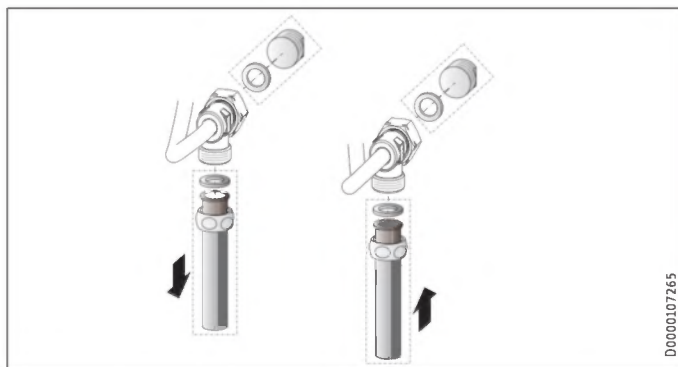
Lidhni fazën që stakon relenë e shkarkimit të ngarkesës, me kapësen e identifikuar të lidhjes së rrjetit në pajisje (shihni kapitullin «Të dhënat teknike / Diagrami i qarkut elektrik»).

10.2.4 Instalimi i ujit jashtë murit

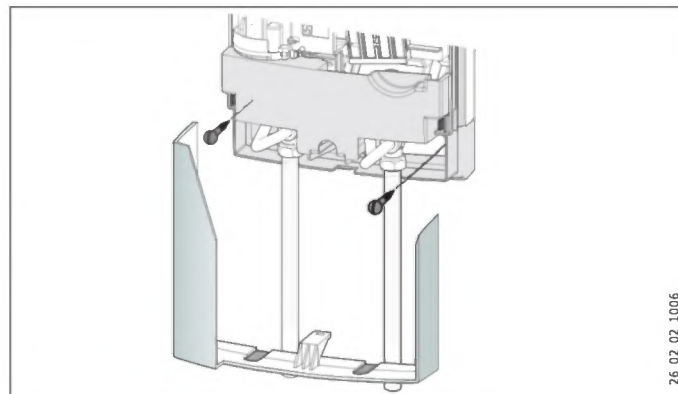


Udhëzim

- Në rastin e kësaj lloj lidhjeje mbrojtja e pajisjes ndryshon.
- ▶ Ndryshoni etiketën e tipeve. Hiqini një vizë të dhënave IP 25 dhe shënoni me kryq kutizën IP 24. Për këtë përdorni një stilolaps.



- ▶ Montoni tapën e ujit me guarnicionet, për të mbyllur lidhjen inkaso.
- ▶ Montoni një rubinet të përshtatshëm të presionit.



- ▶ Fiksioni murin e pasmë me dy vida shtesë poshtë.
- ▶ Shtyni pjesën e poshtme të murit të pasmë poshtë tubave të lidhjes së rubinetit dhe fiksojeni pjesën e poshtme të murit të pasmë.
- ▶ Vidhosni tubat e lidhjes me pajisjen.



Dëmet materiale

Nëse hapni pa dashje një vrimë të gabuar në kapakun e pajisjes, atëherë duhet të përdorni një kapak të ri të pajisjes.

- ▶ Shkëputni me kujdes kalimet në kapakun e pajisjes. Nëse është e nevojshme pastroni cepat e mprehtë me një limë.

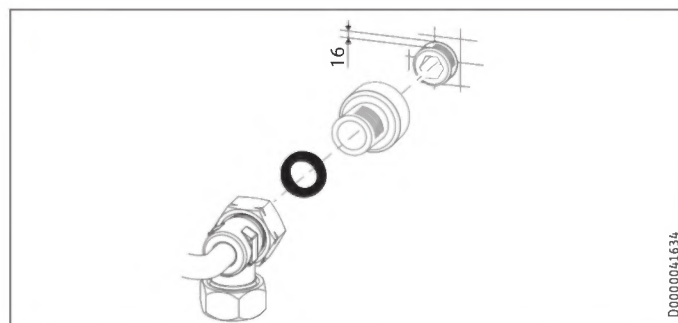
10.2.5 Instalimi i ujit inkaso në rastin e ndërrimit të pajisjes

Në rast se manikota e disponueshme dyshe e pajisjes së vjetër del nga muri vetëm rreth 16 mm, atëherë nuk mund ta përdorni më manikotën dyshe të lëvruar.



Udhëzim

Në rastin e kësaj lidhjeje, bllokimi i furnizimit me ujë të ftohtë është i mundur vetëm në instalimin e shtëpisë.



- ▶ Izoloni dhe vidhosni zgjatuesit e bashkëngjitur të rubinetit.
- ▶ Lidhni pajisjen.

10.2.6 Funksionimi me ujë të ngrohur paraprakisht

Me montimin e një rubineti qendror me termostat kufizohet temperatura maksimale e furnizimit.

10.2.7 Kufizimi i temperaturës

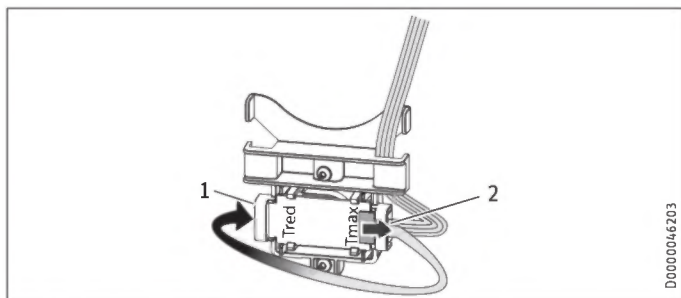


KUJDES Djegie

Në rastin e funksionimit me ujë të ngrohur paraprakisht kufizimi i konfiguruar i temperaturës mund të jetë pa ndikim.

- ▶ Në këtë rast kufizoni temperaturën në një rubinet qendror me termostat të ndezur paraprakisht.

Kufizimin e temperaturës mund ta konfiguroni brenda në kapakun e pajisjes.



- 1 Pozicioni «Tred» (55 °C): Kufizimi i temperaturës
- 2 Pozicioni «Tmaks»: nuk ka kufizim të temperaturës, për zonën e konfigurimit të temperaturës shihni kapitullin «Të dhënat teknike / Tabela e të dhënave».

10.3 Përfundoni montimin

- ▶ Hapni valvulën e bllokimit në manikotën dyshe ose në furnizimin e ujit të ftohtë.

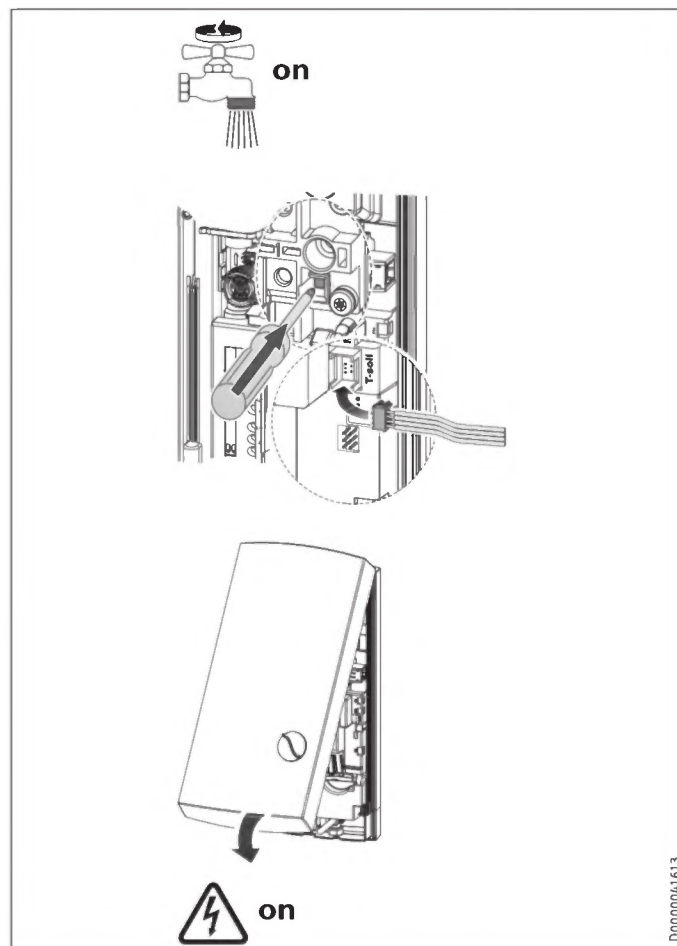
11. Vënia në punë



PARALAJMËRIM Goditja nga energjia elektrike

Vënia në punë duhet të kryhet vetëm nga një specialist duke pasur parasysh rregulloret e sigurisë.

11.1 Vënia në punë për herë të parë



- ▶ Hapni dhe mbyllni disa herë të gjitha valvulat e lidhura të marrjes, derisa rrjeti i tubacionit dhe pajisja të jenë pa ajër.
- ▶ Kryeni një kontroll të dendësisë.
- ▶ Aktivizoni kufizuesin e presionit të sigurisë, duke shtypur fort butonin e rivendosjes (pajisja dorëzohet me kufizuesin e çaktivizuar të presionit të sigurisë).
- ▶ Fusni spinën e kablllos së konfiguruesit të temperaturës në sistemin elektronik.
- ▶ Montoni kapakun e pajisjes, derisa ajo të fiksohet në mënyrë që të dëgjohet. Kontrolloni ulësen e kapakut të pajisjes.
- ▶ Ndizni tensionin e rrjetit.
- ▶ Kontrolloni mënyrën e punës së pajisjes.

Dalja jashtë përdorimit

Dorëzimi i pajisjes

- ▶ Shpjegojini përdoruesit funksionin e pajisjes dhe familjarizojeni atë me përdorimin e pajisjes.
- ▶ Udhëzoheni përdoruesin për rreziqet e mundshme, veçanërisht rrezikun e përvëlimit.
- ▶ Dorëzoni këtë manual.

11.2 Rivënia në punë

Ajrosni pajisjen dhe tubacionin e furnizimit me ujë të ftohtë (shihni kapitullin «Cilësimet»).

Shihni kapitullin «Vënia në punë për herë të parë».

12. Dalja jashtë përdorimit

- ▶ Shkëputni pajisjen në të gjitha polet nga lidhja e rrjetit.
- ▶ Zbrazeni pajisjen (shihni kapitullin «Mirëmbajtja»).

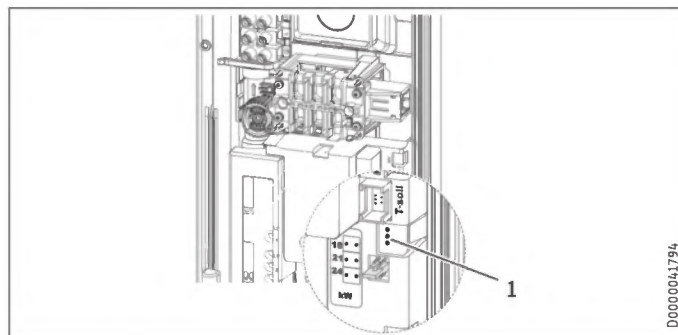
13. Eliminimi i defektit



PARALAJMËRIM Goditja nga energjia elektrike
Për të kontrolluar pajisjen, duhet që tensioni i rrjetit të jetë lidhur në pajisje.

Opsionet e treguesit të llambës diagnostikuese (LED)

●	e kuqe	ndriçon në rast defekti
●	e verdhë	ndriçon në rastin e funksionit të ngrohjes
○	jeshile	pulson: Pajisja në lidhjen e rrjetit



1 Lamba diagnostikuese

Defekti / treguesi i llambës diagnostikuese LED	Shkaku	Eliminimi
Rrjedhja është shumë e ulët.	Kulesa në pajisje është e ndotur.	Pastroni kulesën.
Temperatura e synuar nuk arrihet.	Mungon një fazë.	Kontrolloni siguresën në instalimin e shtëpisë.
Ngrohja nuk ndizet.	Identifikohet ajër në ujë dhe kapaciteti ngrohës aktivizohet për një kohë të shkurtër.	Pajisja vihet përsëri në punë pas një minute.

Defekti / treguesi i llambës diagnostikuese LED	Shkaku	Eliminimi
nuk ka ujë të ngrohtë dhe asnjë tregues të llambës.	Siguresa është çaktivizuar. Kufizuesi i presionit të sigurisë AP 3 është çaktivizuar.	Kontrolloni siguresën në instalimin e shtëpisë. Eliminoni shkakun e gabimit (p.sh. një shpëlarës me presion me defekt). Mbroni sistemin e ngrohjes nga mbinxehja, duke hapur për një minutë një valvul të marrjes me stakim të mëvonshëm në pajisje. Si rrjedhojë, sistemi i ngrohjes lirohet nga presioni dhe ftohet. Aktivizoni kufizuesin e presionit të sigurisë në rastin e presionit të rrjedhjes, duke shtypur butonin e rivendosjes (shihni kapitullin «Vënia në punë për herë të parë»).
Treguesi i llambës: pulson në ngjyrë jeshile ose me dritë të vazhdueshme	Sistemi elektronik është me defekt.	Kontrolloni sistemin elektronik dhe nëse është e nevojshme ndërroni sistemin elektronik.
nuk ka ujë të ngrohtë në rastin e rrjedhjes > 3 l/min.	Sistemi elektronik është me defekt. Regjistruesi i rrjedhjes DFE nuk është hapur. Regjistruesi i rrjedhjes DFE është me defekt.	Fusni përsëri spinën e regjistruetit të rrjedhjes. Kontrolloni regjistruetin e rrjedhjes dhe nëse është e nevojshme ndërroni regjistruetin e rrjedhjes.
Treguesi i llambës: dritë e verdhë e vazhdueshme, pulson në ngjyrë jeshile	Kufizuesi i temperaturës së sigurisë është çaktivizuar ose është ndërprerë.	Kontrolloni kufizuesin e temperaturës së sigurisë dhe nëse është e nevojshme ndërroni kufizuesin e temperaturës së sigurisë.
nuk ka ujë të ngrohtë në rastin e rrjedhjes > 3 l/min.	Sistemi i ngrohjes ka defekt. Sistemi elektronik është me defekt.	Matni rezistencën e sistemit të ngrohjes dhe nëse është e nevojshme ndërroni rezistencën. Kontrolloni sistemin elektronik dhe nëse është e nevojshme ndërroni sistemin elektronik.
Treguesi i llambës: dritë e verdhë e vazhdueshme, pulson në ngjyrë jeshile	Sensori i rrjedhjes është hequr ose është shfaqur një ndërprerje e linjës.	Lidhni sensorin e rrjedhjes dhe nëse është e nevojshme ndërroni sensorin e rrjedhjes.
Treguesi i llambës: dritë e kuqe e vazhdueshme, pulson në ngjyrë jeshile	Sensori i ujit të ftohtë është me defekt.	Kontrolloni sistemin elektronik dhe nëse është e nevojshme ndërroni sistemin elektronik.
nuk ka ujë të ngrohtë temperatura e dëshiruar > 45 °C nuk arrihet.	Temperatura e furnizimit me ujë të ftohtë është më e lartë se 45 °C.	Ulni temperaturën e furnizimit me ujë të ftohtë në pajisje.
Treguesi i llambës: dritë e kuqe e vazhdueshme, pulson në ngjyrë jeshile	Sensori i rrjedhjes është me defekt (qark i shkurtër).	Kontrolloni sensorin e rrjedhjes dhe nëse është e nevojshme ndërroni sensorin e rrjedhjes.

14. Mirëmbajtja



PARALAJMËRIM Goditja nga energjia elektrike
Në rastin e të gjitha punimeve shkëputni pajisjen në të gjitha polet nga lidhja e rrjetit.

Zbrazni pajisjen

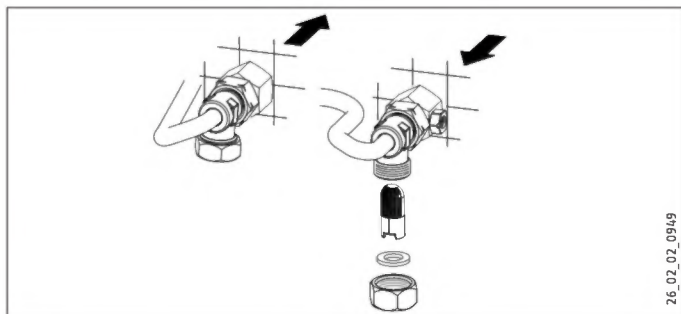
Ju mund ta zbrazni pajisjen për punimet e mirëmbajtjes.



PARALAJMËRIMI Djegia
Gjatë zbrazjes së pajisjes mund të dalë ujë i nxehtë.

- ▶ Mbyllni valvulën e bllokimit në manikotën dyshe ose në furnizimin e ujit të ftohtë.
- ▶ Hapni të gjitha valvulat e marrjes.
- ▶ Lironi lidhjet e ujit nga pajisja.
- ▶ Ruani një pajisje të çmontuar pa ngrica, sepse ka ujë të mbetur në pajisje, i cili mund të shkaktojë ngrirje dhe dëme.

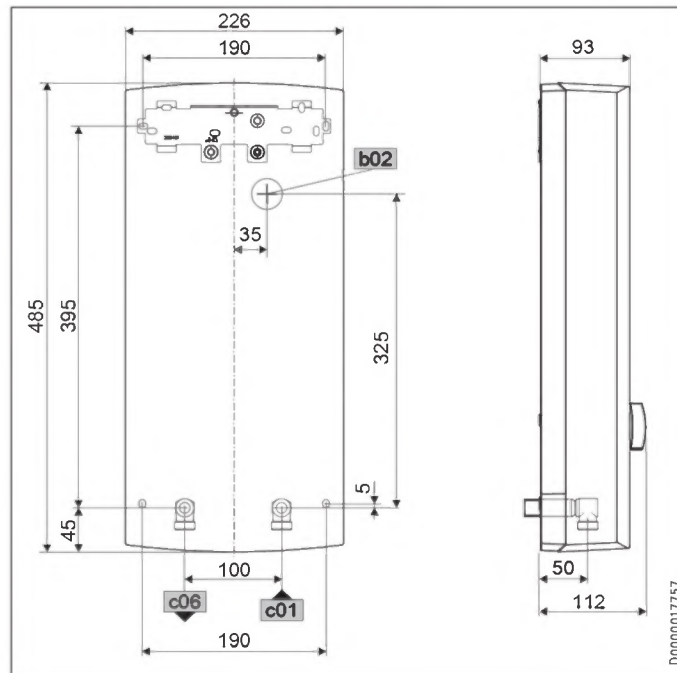
Pastroni kulesën



Në rastin e papastërtive pastroni kulesën në lidhjen e vidhosur të ujit të ftohtë. Mbyllni valvulën e bllokimit në tubacionin e furnizimit me ujë të ftohtë, përpara se ta çmontoni, ta pastroni dhe ta montoni përsëri kulesën.

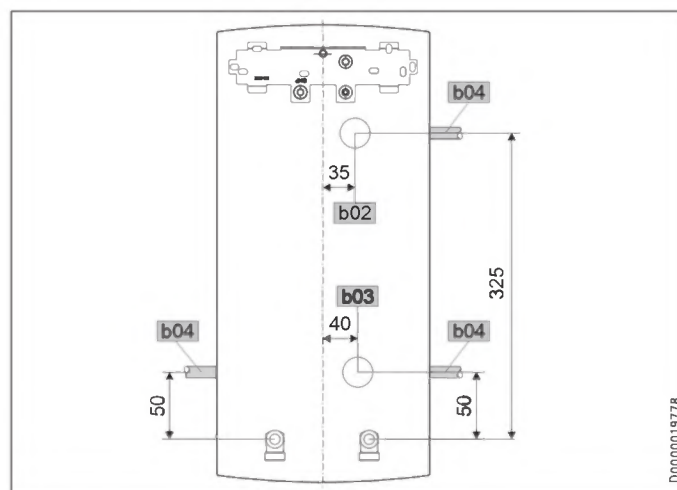
15. Të dhënat teknike

15.1 Përmasat dhe lidhjet



b02	Kalimi i linjave elektrike I		
c01	Furnizimi me ujë të ftohtë	Fileto e jashtme	G 1/2 A
c06	Rrjedhja e ujit të ngrohtë	Fileto e jashtme	G 1/2 A

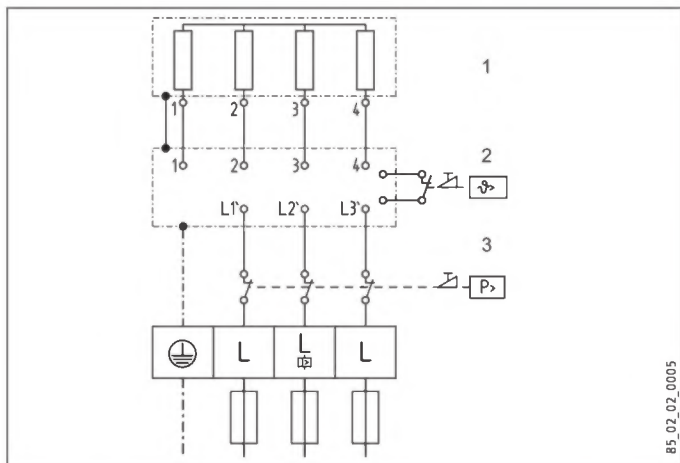
Mundësitë alternative të lidhjes



b02	Kalimi i linjave elektrike I		
b03	Kalimi i linjave elektrike II		
b04	Kalimi i linjave elektrike III		

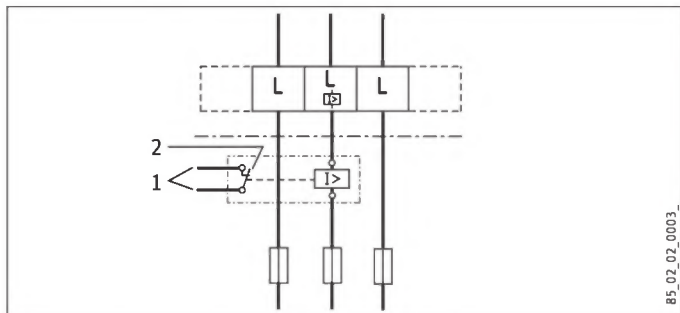
15.2 Diagrami i qarkut elektrik

3/PE ~ 380-415 V



- 1 Ngrohja
- 2 Kufizuesi i temperaturës së sigurisë
- 3 Kufizuesi i presionit të sigurisë

Ndezja me përparësi LR 1-A



- 1 Linja e sistemit të komandimit për mbrojtjen nga ndezja e pajisjes 2. (p.sh. pajisja elektrike që e ruan nxehtësinë).
- 2 Kontakti i sistemit të komandimit hapet gjatë ndezjes së nxehtësit të rrjedhjes.

15.3 Fuqia e ujit të ngrohtë

Fuqia e ujit të ngrohtë varet nga tensioni i lidhur i rrjetit, nga lidhja elektrike e pajisjes dhe nga temperatura e furnizimit me ujë të ftohtë. Tensionin nominal dhe fuqinë nominale e merrni nga etiketa e tipeve (shihni kapitullin «Eliminimi i problemit»).

Lidhja elektrike në kW			Fuqia e ujit të ngrohtë 38 °C në L/min.			
Tensioni nominal			Temperatura e furnizimit me ujë të ftohtë			
380 V	400 V	415 V	5 °C	10 °C	15 °C	20 °C
16,2			7,0	8,3	10,1	12,9
19			8,2	9,7	11,8	15,1
21,7			9,4	11,1	13,5	17,2
	18		7,8	9,2	11,2	14,3
	21		9,1	10,7	13,0	16,7
	24		10,4	12,2	14,9	19,0
		19,4	8,4	9,9	12,0	15,4
		22,6	9,8	11,5	14,0	17,9
		25,8	11,2	13,2	16,0	20,5

Lidhja elektrike në kW			Fuqia e ujit të ngrohtë 50 °C në L/min.			
Tensioni nominal			Temperatura e furnizimit me ujë të ftohtë			
380 V	400 V	415 V	5 °C	10 °C	15 °C	20 °C
16,2			5,1	5,8	6,6	7,7
19			6,0	6,8	7,8	9,0
21,7			6,9	7,8	8,9	10,3
	18		5,7	6,4	7,3	8,6
	21		6,7	7,5	8,6	10,0
	24		7,6	8,6	9,8	11,4
		19,4	6,2	6,9	7,9	9,2
		22,6	7,2	8,1	9,2	10,8
		25,8	8,2	9,2	10,5	12,3

15.4 Zonat e përdorimit / tabela e kthimit

Rezistenca elektrike specifike dhe përçueshmëria elektrike specifike (shihni kapitullin «Tabela e të dhënave»).

Të dhënat e standardit në 15 °C			20 °C			25 °C		
Rezistenca $\rho \geq$	Përçueshmëria $\sigma \leq$		Rezistenca $\rho \geq$	Përçueshmëria $\sigma \leq$		Rezistenca $\rho \geq$	Përçueshmëria $\sigma \leq$	
$\Omega \text{ cm}$	mS/m	$\mu\text{S/cm}$	$\Omega \text{ cm}$	mS/m	$\mu\text{S/cm}$	$\Omega \text{ cm}$	mS/m	$\mu\text{S/cm}$
900	111	1111	800	125	1250	735	136	1361
1000	100	1000	890	112	1124	815	123	1227
1200	83	833	1070	93	935	985	102	1015
1300	77	769	1175	85	851	1072	93	933

15.5 Humbjet e presionit

Rubinetët

Humbja e presionit të rubinetave kur rryma e vëllimit është 10 L/min	
Përzierës me një levë, rreth	MPa 0,04 - 0,08
Rubineti me termostat, rreth	MPa 0,03 - 0,05
Kullësia e dorës, rreth	MPa 0,03 - 0,15

Dimensionimet e rrjetit të tubave

Për llogaritjen e dimensionimeve të rrjetit të tubave për pajisjen rekomandohet një humbje e presionit prej 0,1 MPa.

15.6 Kushtet në rast defekti

Në rast defekti, në instalimin e ngarkesave me afat të shkurtër prej maksimumi 95 °C mund të shfaqet një presion prej 1,2 MPa.

15.7 Të dhënat për konsumin e energjisë

Fleta e të dhënave të produktit: Përgatitësi konvencional i ujit të ngrohtë sipas rregullores (BE) numër 812/2013 814/2013	
	PEY 18/21/24
	233993
Prodhuesi	STIEBEL ELTRON
Profili i ngarkesës	S
Klasa e efikasitetit të energjisë	A
Shkalla energjetike e ndikimit	% 39
Konsumi vjetor i energjisë elektrike	kWh 477
Konfigurimi i temperaturës që nga fabrika	°C 60
Niveli i fuqisë së tingullit	dB(A) 15
Udhëzime të veçanta për matjen e efijencës	Të dhënat në Pmaks.
Konsumi ditor i energjisë elektrike	kWh 2,198

Të dhënat teknike

15.8 Tabela e të dhënave

		PEY 18/21/24		
		233993		
Të dhënat elektrike				
Tensioni nominal	V	380	400	415
Fuqia nominale	kW	16,2/19/21,7	18/21/24	19,4/22,6/25,8
Rryma nominale	A	27,6/29,5/33,3	29/31/35	30,1/32,2/36,3
Sigurimi	A	32/32/35	32/32/35	32/32/40
Frekuenca	Hz	50/60	50/60	50/-
Fazat				3/PE
Rezistenca specifike $\rho_{15} \geq$ (në ðe ftohtë $\leq 25^\circ\text{C}$)	Ω cm	900	900	1000
Përçueshmëria specifike $\sigma_{15} \leq$ (në ðe ftohtë $\leq 25^\circ\text{C}$)	$\mu\text{S/cm}$	1111	1111	1000
Rezistenca specifike $\rho_{15} \geq$ (në ðe ftohtë $\leq 45^\circ\text{C}$)	Ω cm	1200	1200	1300
Përçueshmëria specifike $\sigma_{15} \leq$ (në ðe ftohtë $\leq 45^\circ\text{C}$)	$\mu\text{S/cm}$	833	833	770
Impedanca maks. e rrjetit në 50Hz	Ω	0,284	0,270	0,260
Versionet				
Sistemi i ngrohjes së gjeneruesit të ngrohtësisë				Tel i zhveshur
Blok izolues				Plastikë
Lidhja elektrike që mund të zgjidhet				X
Konfigurimi i temperaturës	$^\circ\text{C}$			rreth 30-60
Kapaku dhe muri i pasmë				Plastikë
Mbrojtja (IP)				IP25
Ngjyra				e bardhë
Lidhjet				
Lidhja e ujit				G 1/2 A
Kufijtë e përdorimit				
Presioni maks. i lejuar	MPa			1
Temperatura maksimale e furnizimit për ngrohjen e mëvonshme	$^\circ\text{C}$			45
Vlerat				
Temperatura maks. e lejuar e furnizimit	$^\circ\text{C}$			60
Ndezur	l/min			> 3
Rryma e vëllimit për humbjen e presionit	l/min			5,2/6,0/6,9
Humbja e presionit në rrymën e vëllimit	MPa			0,08/0,10/0,13 (0,06/0,08/0,10 pa DMB)
Kufizimi i rrymës së vëllimit në	l/min			8,0
Ofrimi i ujit të ngrohtë	l/min			9,4/11,0/12,6
$\Delta\theta$ gjatë dhënies	K			26
Të dhënat e sistemit hidraulik				
Përmbajtja nominale	l			0,4
Dimensionet				
Gjatësia	mm			485
Gjerësia	mm			226
Thellësia	mm			93
Peshat				
Pesha	kg			3,6

Garancia

Për pajisjet e blera jashtë Gjermanisë, kushtet e garancisë nuk vlejnë për kompanitë tona gjermane. Për më tepër, në vendet ku një nga filialet tona shet produktet tona, mund të jepet një garanci vetëm nga ai filial. Një garanci e tillë jepet vetëm nëse filiali ka dorëzuar kushtet individuale të garancisë. Përveç këtij rasti, nuk jepet garanci.

Për pajisjet që blihen në vende ku asnjë nga filialet tona nuk shet asnjë produkt tonin, ne nuk japim garanci. Garancitë e mundshme të siguruar nga importuesi mbeten këtu të pa-prekura.

Mjedisi dhe riciklimi

Ju lutemi, ndihmoni për të mbrojtur mjedisin. Hidhini material pas përdorimit sipas rregulloreve kombëtare.



Udhëzim

Pajisja përputhet me IEC 61000-3-12.

ПОСЕБНИ СОВЕТИ

РАКУВАЊЕ

1. Општи совети	108
1.1 Безбедносни совети	108
1.2 Другите ознаки во оваа документација	109
1.3 Мерни единици	109
2. Безбедност	109
2.1 Прописна примена	109
2.2 Општи безбедносни совети	109
2.3 Ознака за испитување	109
3. Опис на уредот	109
4. Поставки	110
4.1 Препораки за регулирање	110
5. Чистење, нега и одржување	110
6. Отстранување проблеми	110

ИНСТАЛАЦИЈА

7. Безбедност	111
7.1 Општи безбедносни совети	111
7.2 Туширање	111
7.3 Прописи, стандарди и одредби	111
8. Опис на уредот	111
8.1 Опсег на испорака	111
9. Подготовки	111
9.1 Место на монтажа	111
9.2 Водоводна инсталација	112
10. Монтажа	112
10.1 Стандардна монтажа	112
10.2 Алтернативна монтажа	115
10.3 Завршување на монтажата	117
11. Пуштање во работа	117
11.1 Прво пуштање во работа	117
11.2 Повторно пуштање во работа	118
12. Исклучување од работа	118
13. Отстранување пречки	118
14. Одржување	119
15. Технички податоци	119
15.1 Димензии и приклучоци	119
15.2 Шематски дијаграм	120
15.3 Капацитет на топла вода	120
15.4 Подрачје на примена / Табела за конверзија	120
15.5 Загуби на притисок	120
15.6 Услови на пречки	120
15.7 Податоци за потрошувачката на енергија	120
15.8 Табела со податоци	121

ГАРАНЦИЈА

ЖИВОТНА СРЕДИНА И РЕЦИКЛИРАЊЕ

ПОСЕБНИ СОВЕТИ

- Децата над 3 години, како и лицата со ограничени телесни, сетилни или ментални способности или без доволно искуство и знаење може да го користат уредот под надзор или доколку бидат упатени во безбедното ракување и ги разбираат опасностите коишто произлегуваат оттаму. Децата не смеат да си играат со апаратот. Децата не смеат да го чистат или да спроведуваат корисничко одржување без надзор.
- Арматурата може да се загрее до температура од 60 °C. При истечни температури поголеми од 43 °C постои опасност од попарување.
- Уредот е погоден за снабдување туш (туширање). Ако уредот се користи и за или исклучиво за туширање, стручен техничар мора да го активира подрачјето за дефинирање на температурата над ограничувањето на температурата ($T_{red} = 55\text{ °C}$) во уредот. При користење претходно загреана вода не смее да се надмине приливна температура од 55 °C.
- Уредот мора да може да се одвојува од мрежниот приклучок преку разделна патека од минимум 3 mm, во сите полови.
- Наведениот напон мора да одговара на напонот на мрежата.
- Уредот мора да се приклучи на заштитен вод.
- Уредот мора постојано да биде приклучен на фиксно ожичување.
- Прицврстете го уредот како што е опишано во поглавјето „Инсталација / Монтажа“.

- Придржувајте се кон максималниот дозволен притисок (види поглавја „Инсталација / Технички податоци / Табела со податоци“).
- Специфичниот отпор на водата на мрежата за водоснабдување не смее да биде под минималното ниво (види поглавја „Инсталација / Технички податоци / Табела со податоци“).
- Испразнете го уредот како што е опишано во поглавјето „Инсталација / Одржување / Празнење на уредот“.

РАКУВАЊЕ

1. Општи совети

Поглавјата „Посебни совети“ и „Ракување“ се однесуваат на корисникот и на специјализираниот техничар.

Поглавјето „Инсталација“ се однесува на специјализираниот техничар.



Напомена

Внимателно прочитајте го ова упатство пред ракувањето и чувајте го.

Предадете го упатството ако е потребно на следниот корисник.

1.1 Безбедносни совети

1.1.1 Состав на безбедносните совети



СИГНАЛЕН ЗБОР вид опасност

Тука стојат можните последици од непочитување на безбедносниот совет.

► Тука стојат мерките за одбрана од опасноста.

1.1.2 Символи, вид опасност

Симбол	Вид опасност
	Повреда
	Струен удар
	Горење (горење, попарување)

1.1.3 Сигнални зборови

СИГНАЛЕН ЗБОР	Значење
ОПАСНОСТ	Совети, чиешто непочитување ќе доведе до тешки повреди или смрт.
ПРЕДУПРЕДУВАЊЕ	Совети, чиешто непочитување може да доведе до тешки повреди или смрт.
ВНИМАНИЕ	Совети, чиешто непочитување може да доведе до средни или лесни повреди.

1.2 Другите ознаки во оваа документација



Напомена

Општите совети се означени со симболот којшто стои отстрана.

► Внимателно прочитајте ги советите.

Симбол	Значење
	Материјална штета (Оштетување на уредите, консеквентна штета, загрозување на животната средина)
	Отстранување на уредите

► Овој симбол кажува дека треба нешто да направите.
Потребните дејства ќе бидат опишани чекор по чекор.

1.3 Мерни единици



Напомена

Ако не е поинаку наведено, сите мерки се во милиметри.

2. Безбедност

2.1 Прописна примена

Уредот под притисок служи за загревање вода за пиење или за дополнително загревање претходно загреана вода. Уредот може да снабдува едно или повеќе места за пуштање.

Уредот е предвиден за домашна примена. Со него не можат безбедно да ракуваат лицата коишто не се упатени. Уредот може да се примени и надвор од домаќинството, на пр. во мали компании, доколку се користи на истиот начин.

Поинаква примена или примена која го надминува наведеното важи за непрописна. Кон соодветна употреба припаѓа и придржувањето кон ова упатство како и упатствата за поставениот прибор.

2.2 Општи безбедносни совети



ВНИМАНИЕ горење

Арматурата може да се загрее до температура од 60 °C. При истечни температури поголеми од 43 °C постои опасност од попарување.



ВНИМАНИЕ горење

При работа со претходно загреана вода, на пр. соларен систем, температурата на топлата вода може да се разликува од саканата температура.



ПРЕДУПРЕДУВАЊЕ повреда

Децата над 3 години, како и лицата со ограничени телесни, сетилни или ментални способности или без доволно искуство и знаење може да го користат уредот под надзор или доколку бидат упатени во безбедното ракување и ги разбираат опасностите коишто произлегуваат оттаму. Децата не смеат да си играат со апаратот. Децата не смеат да го чистат или да спроведуваат корисничко одржување без надзор.

Ако уредот го користат деца или лица со ограничени телесни, сетилни или ментални способности, препорачуваме постојано ограничување на температурата. Ограничувањето може да ви го постави специјализиран техничар.



Материјална штета

Корисникот треба да ги заштити уредот и арматурата од мраз.

2.3 Ознака за испитување

Види плочка со ознаки на уредот.

3. Опис на уредот

Електронски регулираниот проточен бојлер со автоматско регулирање на капацитетот ја држи истечната температура константна до граничната моќност. Потоа, температурата се бира преку арматурата за пуштање.

Температура на топла вода

Истечната температура на топлата вода можете континуирано да ја регулирате.

Интерно ограничување на температурата (стручен техничар)

Специјализираниот техничар може, по желба, да активира трајно ограничување на температурата.

При снабдување туш, специјализираниот техничар мора да го активира ограничувањето на температурата.

Греен систем

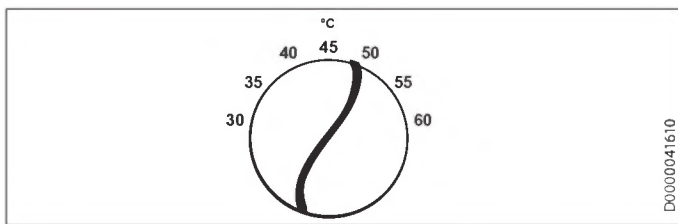
Системот за греење со гола жица има пластична обвивка, отпорна на притисок. Системот за греење е наменет за мека и тврда вода и во голема мера е нечувствителен на калцификација. Системот за греење се грижи за брзо и ефикасно снабдување со топла вода.



Напомена

Овој уред е опремен со препознавање на воздухот, кое во голема мерка го спречува оштетувањето на грејниот систем. Доколку во текот на работата во уредот навлезе воздух, тој го исклучува греењето на една минута и на тој начин го штити грејниот систем.

4. Поставки



- ▶ Завртете го копчето за регулирање на температурата на саканата положба.

Доколку при целосно отворена арматура и максимално поставена температура не се постигнува доволна истечна температура, тоа значи дека низ уредот тече повеќе вода отколку што грејниот систем може да загрее.

- ▶ Редуцирајте ја проточната количина на арматурата.

4.1 Препораки за регулирање

Проточниот бојлер обезбедува макс. точност и макс. удобност на понудата на топла вода. Доколку сепак го користите уредот со термостатска арматура, препорачуваме:

- ▶ Поставете ја температурата на уредот на максимум. Потоа, саканата зададена температура ќе си ја регулирате на термостатската арматура.

Штедење енергија

Најмалку енергија трошите при следните, од нас препорачани, поставки:

- 38 °C за мијалник за раце, туш, када
- 55 °C за мијалник за садови

Препорака за дефинирање на поставките при работа со термостатска арматура и соларно загреана вода

- ▶ Поставете ја температурата на уредот на максимум.

По прекин во снабдувањето со вода



Материјална штета

За да не дојде до уништување на системот за греење со голи жици по прекин во снабдувањето со вода, уредот мора повторно да се пушти во работа со следните чекори.

- ▶ Исклучете го напонот со исклучување на осигурувачите.
- ▶ Отворете го вентилот една минута, додека уредот и претходно вклучениот довод на ладна вода не го испуштат воздухот.
- ▶ Повторно вклучете го мрежниот напон.

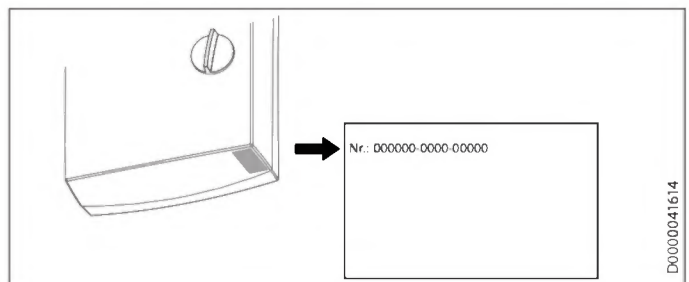
5. Чистење, нега и одржување

- ▶ Не користете абразивни средства за чистење или растворувачи. За нега и чистење на уредот доволна е влажна крпа.
- ▶ Редовно проверувајте ги арматурите. Бигорот на арматурните испусти можете да го отстраните со вообичаени средства за отстранување бигор.

6. Отстранување проблеми

Проблем	Причина	Отстранување
И покрај целосно отворениот вентил за топла вода уредот не се вклучува.	Нема напон.	Проверете ги осигурувачите во домашната инсталација.
	Премал проток. Регулаторот на млазот во арматурата или главата на тушот се затнати од бигор или нечистотии.	Исчистете и / или отстранете го бигорот од регулаторот на млазот или главата на тушот.
Не се достигнува саканата температура > 45 °C.	Водоснабдувањето е прекинато.	Испуштете го воздухот од уредот и од доводот на студена вода (види поглавје „Поставки“).
	Приливната температура на студената вода е > 45 °C.	Намалете ја приливната температура на студената вода.

Доколку не можете да ја отстраните причината, повикајте стручен техничар. За подобра и побрза помош, соопштете му го бројот од плочката со ознаки (000000-0000-00000).



ИНСТАЛАЦИЈА

7. Безбедност

Инсталацијата, првото пуштање во работа на овој уред како и одржувањето и поправките смее да ги изведува само специјализиран техничар.

7.1 Општи безбедносни совети

Гарантираме беспрекорно функционирање и работна безбедност само ако за уредот се користат соодветниот оригинален прибор и оригиналните резервни делови.

**Материјална штета**

Придржувајте се кон максималната приливна температура. При повисоки температури може да се оштети уредот. Со вградување централна термостатска арматура можете да ја ограничите максималната приливна температура.

**ПРЕДУПРЕДУВАЊЕ струен удар**

Овој уред содржи кондензатори коишто се празнат по одвојувањето од струјната мрежа. Напонот на празнење на кондензаторите може во даден случај да изнесува краткотрајно > 60 V DC.

7.2 Туширање

**ВНИМАНИЕ горење**

► При снабдување туш поставете го интерното ограничување на температурата на „Tred“, види поглавје „Алтернативна монтажа /Ограничување на температурата“.

**ВНИМАНИЕ горење**

При снабдување на уредот со претходно загреана вода, внимавајте на следното:

Во даден случај може да се пречекори интерно регулираното ограничување на температурата.
► Ограничете ја температурата со претходно вклучена централна термостатска арматура.

7.3 Прописи, стандарди и одредби

**Напомена**

Придржувајте се кон сите национални и регионални прописи и одредби.

- Видот заштита IP 25 (заштита од вода во млаз) е гарантирана само со прописно монтиран ракавец на кабелот.

- Специфичниот електричен отпор на водата не смее да биде помал од оној, наведен на плочката со ознаки. Кај поврзана водоводна мрежа треба да се запази минималниот електричен отпор на водата (види поглавја „Технички податоци / Подрачја на примена / Табела за конверзија“). Специфичниот електричен отпор на водата или електричната спроводливост на водата ќе ги дознаете во претпријатието за водоснабдување.

8. Опис на уредот

8.1 Опсег на испорака

Со уредот се испорачуваат:

- Додаток за закачување на сид
- навоен клин, за закачување на сид
- шаблон за монтажа
- 2 дупли нипли (студена вода со затворачки вентил)
- рамни дихтунзи
- кабелски ракавец (електричен довод горе / долу)
- завртки / типли за прицврстување на задниот сид, при приклучување на водата на завршен сид

За замена на уреди:

- 2 продолжетоци

9. Подготовки

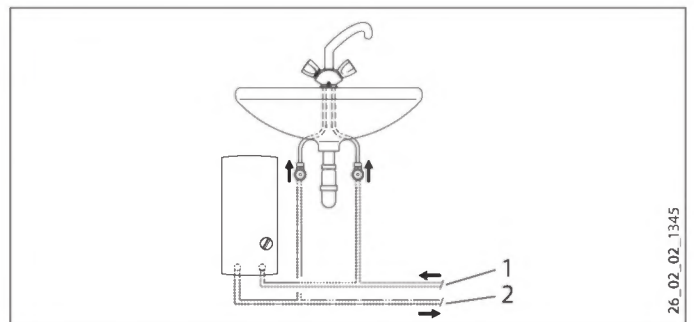
9.1 Место на монтажа

**Материјална штета**

Уредот смее да се инсталира само во просторија, во која нема опасност од мраз.

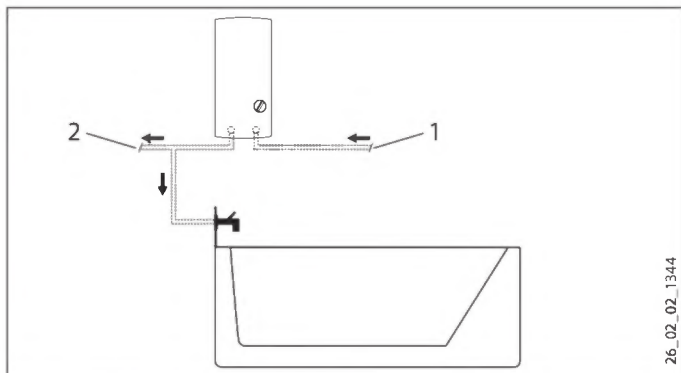
- Монтирајте го уредот вертикално и во близина на местото на пуштање.

Уредот е погоден за висока и ниска монтажа.

Ниско-монтажно

- 1 Прилив на студена вода
- 2 Испуст на топла вода

Високо-монтажно



- 1 Прилив на студена вода
2 Испуст на топла вода

26_02_02_1344



Напомена

- ▶ Монтирајте го уредот на сидот. Сидот мора да има доволна носивост.

9.2 Водоводна инсталација

- Не е потребен безбедносен вентил.
- Во цевките за топла вода не се дозволени безбедносни вентили.
- ▶ Добро исперете го водоводот.
- ▶ Проверете дали е постигнат протокот (види поглавја „Технички податоци / Табела со податоци“) за вклучување на уредот. Ако не се постигне протокот, извадете го ограничувачот на протокот (види поглавје „Монтажа / Вадење на ограничувачот на протокот“).
- ▶ Ако протокот не се постигне при целосно отворен вентил, зголемете го притисокот во водоводот.

Арматури

Користете соодветни притисочни арматури. Отворени арматури не се дозволени.



Напомена

Затворачкиот вентил во доводот за студена вода не смеете да го користите за придушвање на протокот. Служи за затворање на уредот.

Дозволени материјали на цевките за вода

- Довод на ладна вода:
топлопоцинкувана челична цевка, цевка од облагороден челик, бакарна цевка или цевка од пластика
- Испуст на топла вода:
цевка од облагороден челик, бакарна цевка или пластична цевка



Материјална штета

При примена на пластични цевни системи придржувајте се кон максималната приливна температура и максимално дозволениот притисок (види поглавја „Технички податоци / Табела со податоци“).

Флексибилни водоводи за приклучување на водата

- ▶ При инсталација со флексибилни водоводи за приклучување на водата спречете го извртувањето на колената на цевките со помош на бајонетни врски.
- ▶ Прицврстете го задниот сид долу со две дополнителни завртки.

10. Монтажа

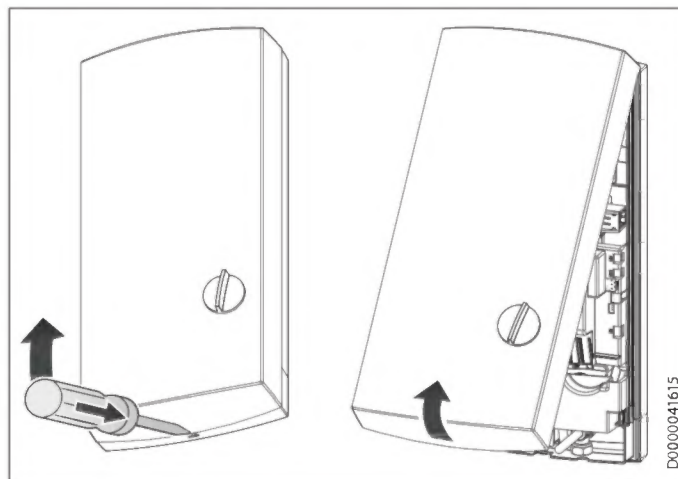
10.1 Стандардна монтажа

- Приклучување на струја горе, монтажа во сид
- Приклучување на вода, монтажа во сид
- однапред поставена средна приклучна моќност

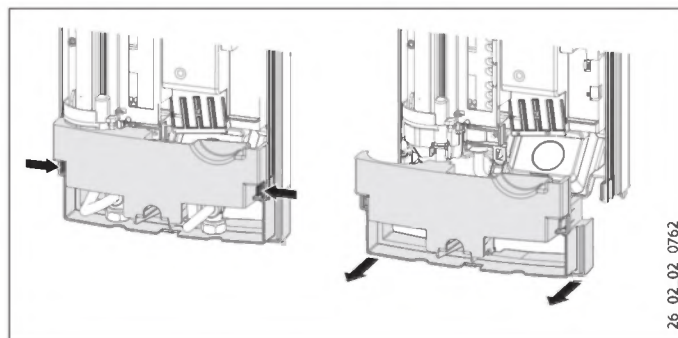
За други можности за монтажа види поглавје „Алтернативна монтажа“:

- Приклучување струја со монтажа во сид - долу
- Приклучување струја на завршен сид
- Приклучување релеј за отфрлање товар
- Водоводна инсталација на завршен сид
- Приклучување вода во сид, при замена на уред
- Работа со претходно загреана вода
- Ограничување на температурата

Отворање на уредот



- ▶ Отворете го уредот, така што ќе го отклучите резето.

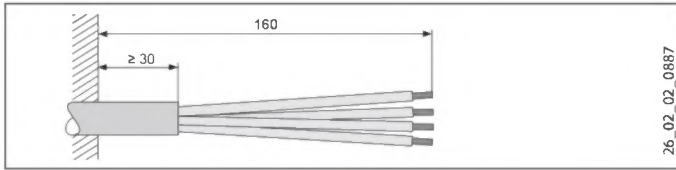


- ▶ Одвојте го задниот сид, така што ќе ги притиснете двете куки и ќе го повлечете долниот дел на задниот сид напред.

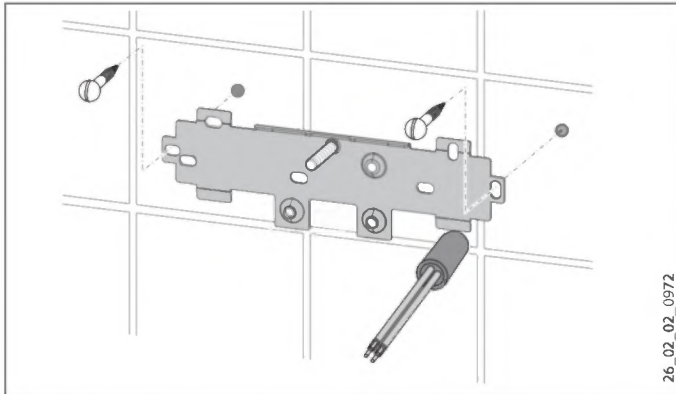
ИНСТАЛАЦИЈА

Монтажа

Подготовка на кабелот за приклучување на струја

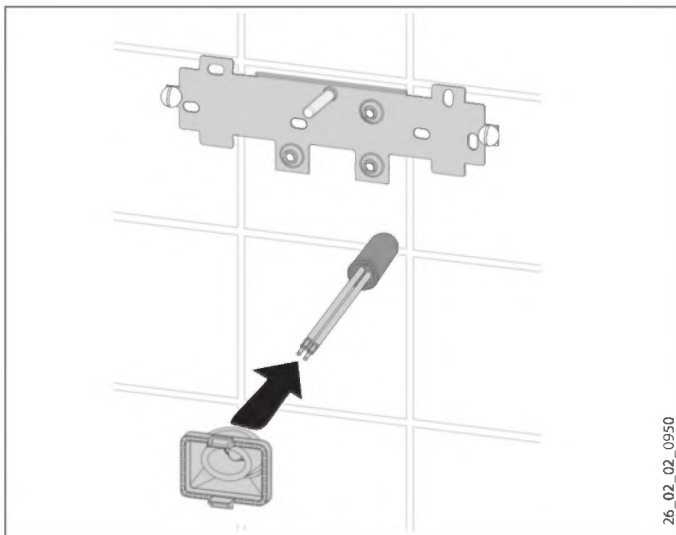


Монтажа на сидниот држач



- ▶ Исцртајте ги дупките со помош на монтажниот шаблон. При монтажа со приклучоци за вода на завршен сид, дополнително мора да ги исцртате и дупките за прицврстување во долниот дел од шаблонот.
- ▶ Направете ги дупките и прицврстете го сидниот држач со 2 завртки и 2 типли (завртките и типлите не се испорачани).
- ▶ Монтирајте го приложениот навоен клин.
- ▶ Монтирајте го сидниот држач.

Монтажа на кабелскиот ракавец



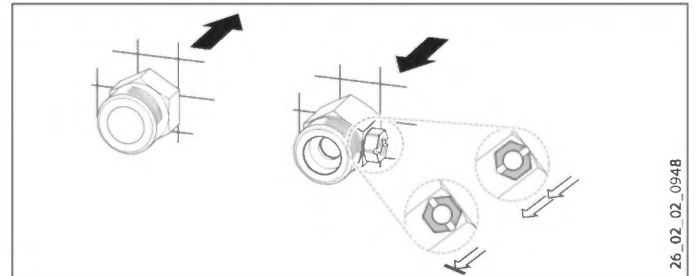
- ▶ Монтирајте го кабелскиот ракавец. Ако приклучниот кабел е $> 6 \text{ mm}^2$, мора да ја зголемите дупката во ракавецот.

Приклучување вода



Материјална штета

Изведете ги сите работи за приклучување вода и монтирање според прописот.



- ▶ Задихтувајте ја и зашрафете ја дуплата нипла.



Материјална штета

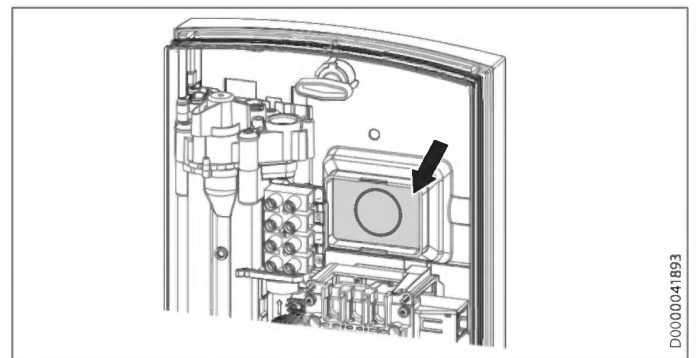
Затворачкиот вентил во доводот за студена вода не смеете да го користите за придушвање на протокот.

Подготвување на задниот сид



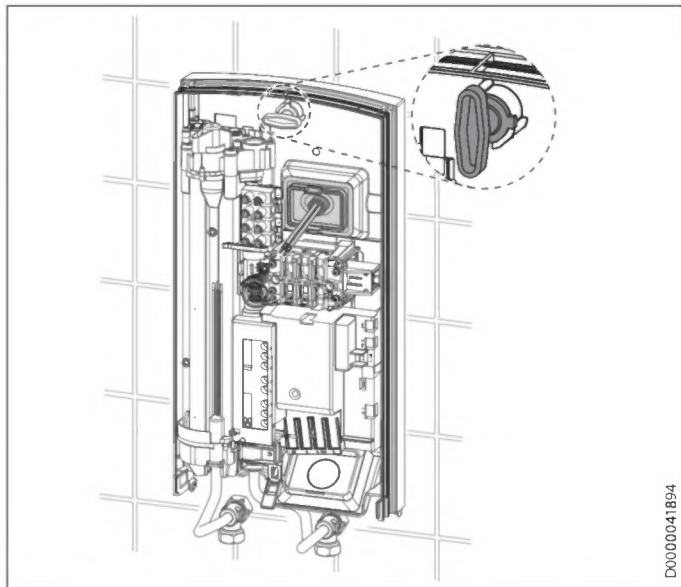
Материјална штета

Доколку по грешка сте пробиле погрешна дупка за кабелскиот ракавец, ќе мора да употребите нов заден сид.



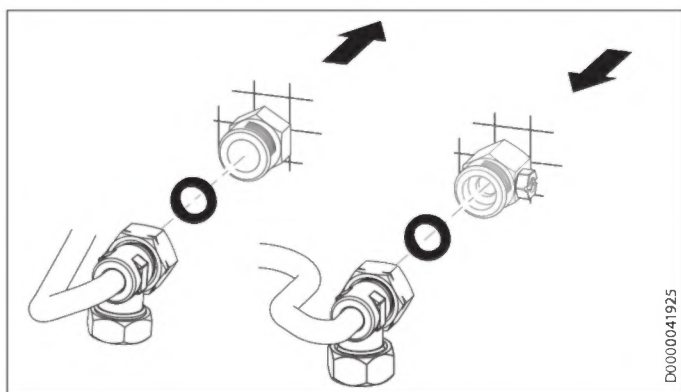
- ▶ Прецизно пробијте го местото за кабелскиот ракавец. Израмнете ги острите рабови со турпија.

Монтажа на уредот



D0000041894

- ▶ Вклопете го задниот сид преку навојниот клин и кабелскиот ракавец. Повлечете го ракавецот со помош на клешти за куките за прицврстување во задниот сид, додека не слушнете вклопување на двете куки.
- ▶ Извадете ги заштитните транспортни затки од приклучоците за вода.
- ▶ Цврсто притиснете го задниот сид и заклучете ја полу-гата за прицврстување со вртење во десно за 90°.



D0000041925

- ▶ Зашрафете ги приклучните цевки за вода со рамни дихтунзи на дуплите нипли.



Материјална штета

За функционирање на уредот, ситото мора секогаш да е вградено.

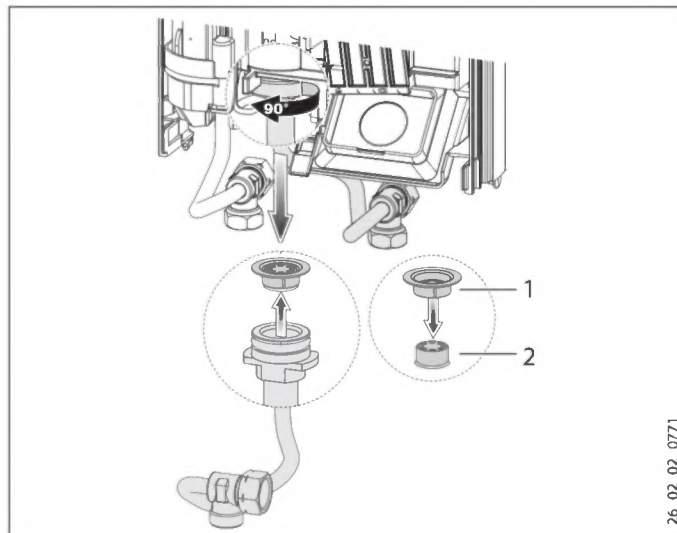
- ▶ При замена на уредот проверете дали ситото е на место (види поглавје „Одржување“).

Вадење на ограничувачот на протокот



Материјална штета

Во комбинација со термостатска арматура, ограничувачот на протокот не смее да се вади.



26_02_02_0771

- 1 Пластична плоча
- 2 Ограничувач на протокот

- ▶ Извадете го ограничувачот на протокот и повторно ставете ја пластичната плоча.

Воспоставување на приклучување на струја



ПРЕДУПРЕДУВАЊЕ струен удар

Извадете ги електриката и инсталацијата по пропис.



ПРЕДУПРЕДУВАЊЕ струен удар

Приклучувањето на струја е дозволено само како фиксен приклучок во врска со кабелскиот ракавец што се вади. Уредот мора да може да се одвојува од мрежниот приклучок преку разделна патека од минимум 3 mm, во сите полови.



ПРЕДУПРЕДУВАЊЕ струен удар

Внимавајте на тоа, уредот да биде приклучен на кабел за заземјување.



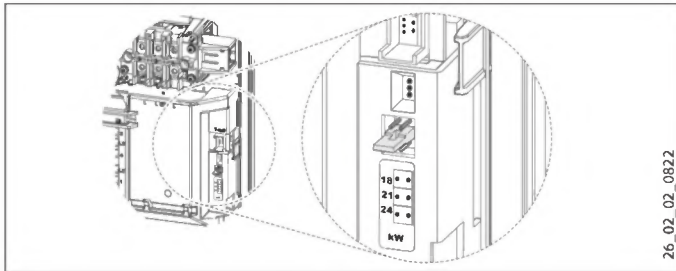
Материјална штета

Придржувајте се кон податоците од плочката со ознаки. Наведениот напон мора да одговара на напонот на мрежата.

- ▶ Приклучете го кабелот на клемата за приклучување на струја (види поглавја „Технички податоци / Шематски дијаграм“).

Префрлете го кодниот приклучник

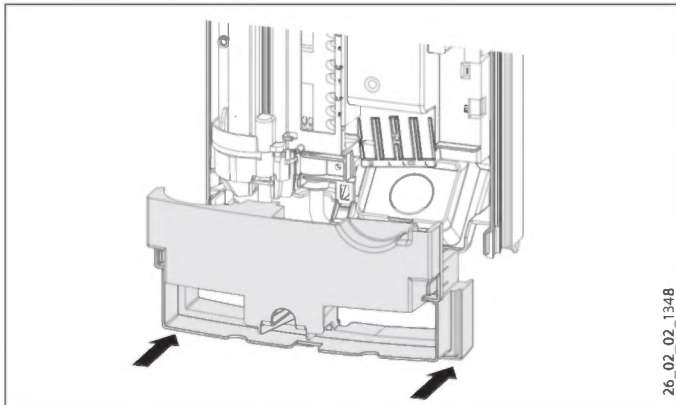
При испорака, уредот е вклучен на 21 kW. За префрлување на друга приклучна моќност, мора да ги преземете следните чекори:



26_02_02_0822

- ▶ Префрлете го кодниот приклучник во согласност со избраната приклучна моќност (види изборна приклучна моќност и осигурување на уредот во поглавје „Технички податоци / Табела со податоци“).
- ▶ Означете ја избраната приклучна моќност на плочката со ознаки. Користете пенкало.

Монтирање на долниот дел од задниот сид

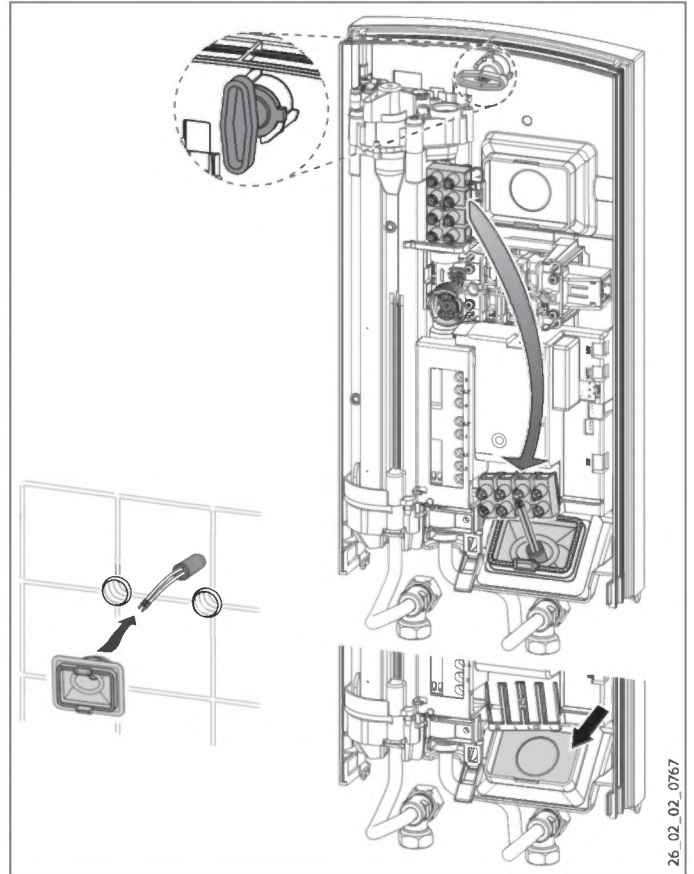


26_02_02_1348

- ▶ Монтирајте го долниот дел од задниот сид во задниот сид и прицврстете го долниот дел од задниот сид.
- ▶ Наместете го монтираниот уред, така што ќе ја ослободите полугата за прицврстување, ќе ги порамните приклучувањето на струја и задниот сид и повторно ќе ја прицврстите полугата. Доколку задниот сид од уредот не лежи рамно, уредот треба да го прицврстите со две дополнителни завртки во долниот дел.

10.2 Алтернативна монтажа

10.2.1 Приклучување струја со монтажа во сид - долу



26_02_02_0767

- ▶ Монтирајте го кабелскиот ракавец.



Материјална штета

Доколку по грешка сте пробиле погрешна дупка за кабелскиот ракавец, ќе мора да употребите нов заден сид.

- ▶ Прецизно пробијте го местото за кабелскиот ракавец. Израмнете ги острите рабови со турпија.
- ▶ Поместете ја клемата за приклучување на струја во уредот од горе надолу.
- ▶ Вклопете го задниот сид преку навојниот клин и кабелскиот ракавец. Повлечете го ракавецот со помош на клешти за куките за прицврстување во задниот сид, додека не слушнете вклопување на двете куки.
- ▶ Цврсто притиснете го задниот сид и заклучете ја полугата за прицврстување со вртење во десно за 90°.

10.2.2 Приклучување струја на завршен сид



Напомена

Со овој вид приклучување се менува видот на заштита на уредот.

- ▶ Променете ја плочката со ознаки. Пречкртајте ја ознаката IP 25 и означете го полето IP 24. Користете пенкало.



Материјална штета

Доколку по грешка сте пробиле погрешна дупка за кабелскиот ракавец, ќе мора да употребите нов заден сид.

- ▶ Исечете или пробирјте чист отвор за спроведување во задниот сид (за позиции види поглавја „Технички податоци / Димензии и приклучоци“). Израмнете ги острите рабови со турпија.
- ▶ Спроведете го кабелот низ ракавецот и приклучете го на клемата за приклучување на мрежа.

10.2.3 Приклучување релеј за отфрлање товар

Во разводната табла вградете релеј за отфрлање товар во комбинација со други електрични уреди, на пр., со електрични уреди за греење со резервоар. Отфрлањето товар следува при активирање на проточниот бојлер.



Материјална штета

Приклучете ја фазата, која го вклучува релејот за отфрлање товар, на означената клемата од клемата за приклучување на струја во уредот (види поглавја „Технички податоци / Шематски дијаграм“).

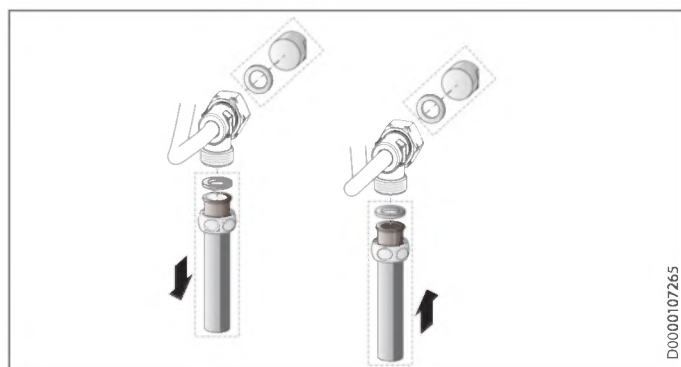
10.2.4 Водоводна инсталација на завршен сид



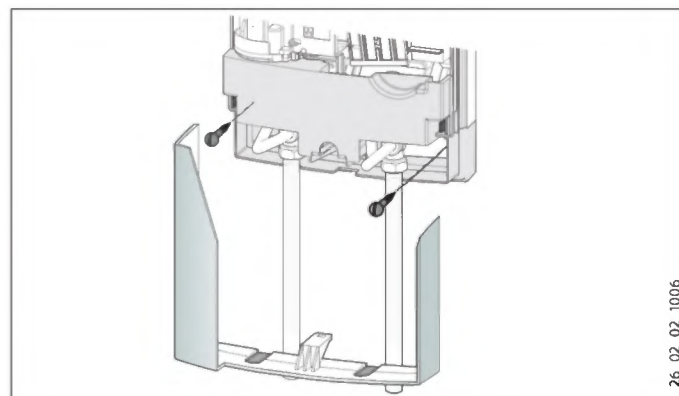
Напомена

Со овој вид приклучување се менува видот на заштита на уредот.

- ▶ Променете ја плочката со ознаки. Пречкртајте ја ознаката IP 25 и означете го полето IP 24. Користете пенкало.



- ▶ Монтирајте ги затките за вода со дихтунзи за да го затворите приклучокот во сидот.
- ▶ Монтирајте соодветна притисочна арматура.



26_02_02_1006

- ▶ Прицврстете го задниот сид долу со две дополнителни завртки.
- ▶ Лизгајте го долниот дел од задниот сид под приклучните цевки од арматурата и вклопете го долниот дел од задниот сид.
- ▶ Зашрафете ги приклучните цевки со уредот.



Материјална штета

Доколку по грешка пробирјете погрешна дупка во капата на уредот, ќе мора да употребите нова капа на уредот.

- ▶ Прецизно искршете ги отворите за спроведување во капата на уредот. Израмнете ги острите рабови со турпија.

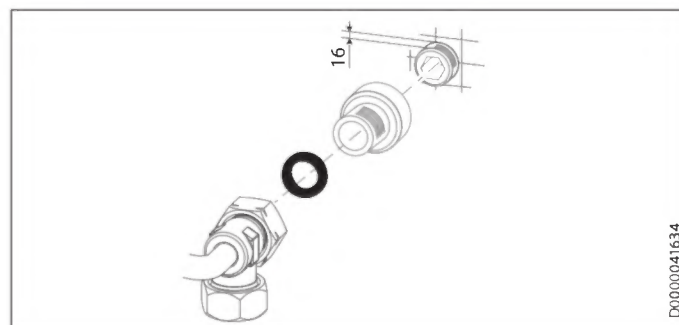
10.2.5 Водоводна инсталација во сид, при замена на уред

Ако постоечките дупли нипли на стариот уред стрчат само околу 16 mm од сидот, не можете да ги користите испорачаните дупли нипли.



Напомена

Кај ова приклучување затворањето на доводот за студена вода е можно само во домашната инсталација.



D0000041634

- ▶ Задихтувајте ги и зашрафете ги приложените продолжетоци.
- ▶ Приклучете го уредот.

10.2.6 Работа со претходно загреана вода

Со вградување на централна термостатска арматура се ограничува максималната приливна температура.

10.2.7 Ограничување на температурата

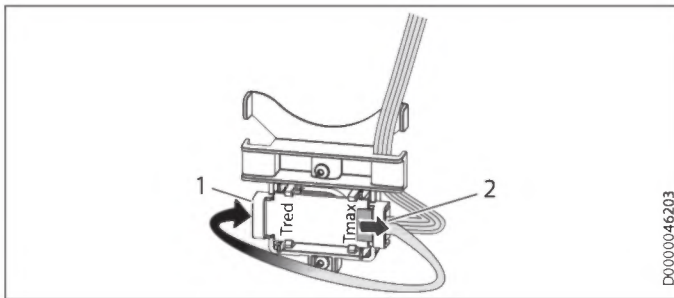


ВНИМАНИЕ горење

При работа со претходно загреана вода, поставеното ограничување на температурата може да не делува.

- ▶ Во тој случај, ограничете ја температурата на претходно вклучена централна термостатска арматура.

Температурното ограничување можете да го поставите во внатрешната страна на капакот на уредот.



- 1 Позиција „Tred“ (55 °C): Ограничување на температурата
- 2 Позиција „Tmax“: без ограничување на температурата, за подрачје за дефинирање на температурата погледнете го поглавјето „Технички податоци / Табела со податоци“.

10.3 Завршување на монтажата

- ▶ Отворете го затворачкиот вентил во дуплата нипла или во доводот на студена вода.

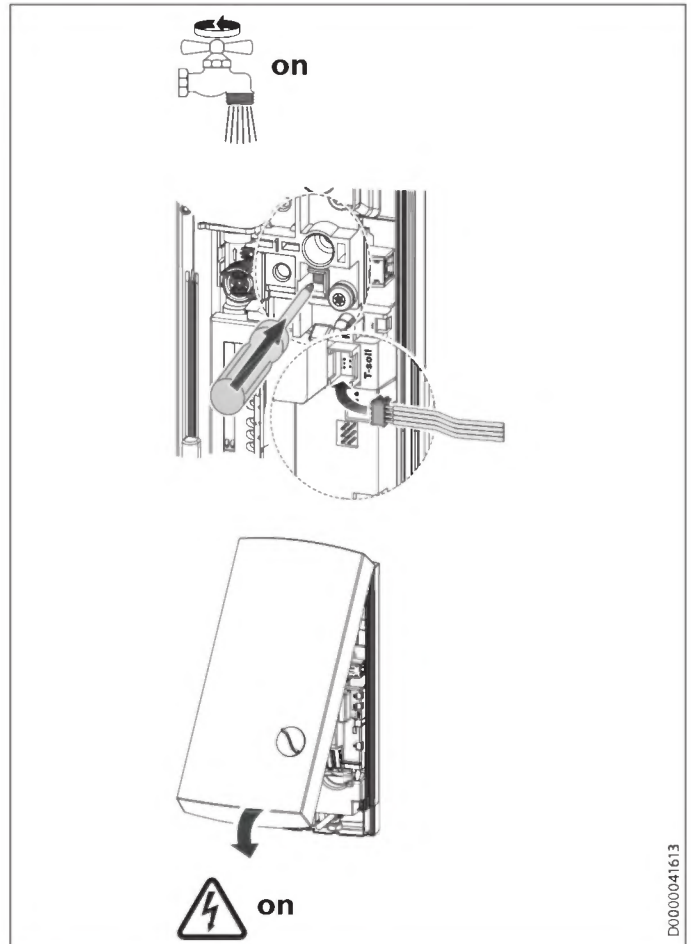
11. Пуштање во работа



ПРЕДУПРЕДУВАЊЕ струен удар

Пуштањето во работа смее да го изведува само специјализиран техничар, придржувајќи се кон безбедносните прописи.

11.1 Прво пуштање во работа



- ▶ Отворајте и затворајте ги повеќепати сите приклучени вентили за пуштање вода, сè додека од доводната мрежа и уредот не се испушти сиот воздух.
- ▶ Проверете го дихтувањето.
- ▶ Активирајте го безбедносниот ограничувач на притисокот, така што силно ќе го притиснете тастерот за враќање во првобитна положба (уредот се испорачува со деактивиран безбедносен ограничувач на притисок).
- ▶ Вметнете го приклучникот на кабелот од уредот за регулација на температурата во електрониката.
- ▶ Монтирајте ја капата на уредот. Треба да слушнете дека се вклопила. Проверете дали капата на уредот лежи правилно.
- ▶ Вклучете го мрежното напојување.
- ▶ Проверете го режимот на работа на уредот.

Предавање на уредот

- ▶ Објаснете му ја на корисникот функцијата на уредот и запознајте го со користењето на уредот.
- ▶ Упатете го на можните опасности, посебно на опасноста од попарување.
- ▶ Предајте го ова упатство.

11.2 Повторно пуштање во работа

Испуштете го воздухот од уредот и од доводот на студена вода (види поглавје „Поставки“).

Види поглавје „Прво пуштање во работа“.

12. Исклучување од работа

- ▶ Одвојте го уредот од мрежниот приклучок во сите полови.
- ▶ Испразнете го уредот (види поглавје „Одржување“).

13. Отстранување пречки

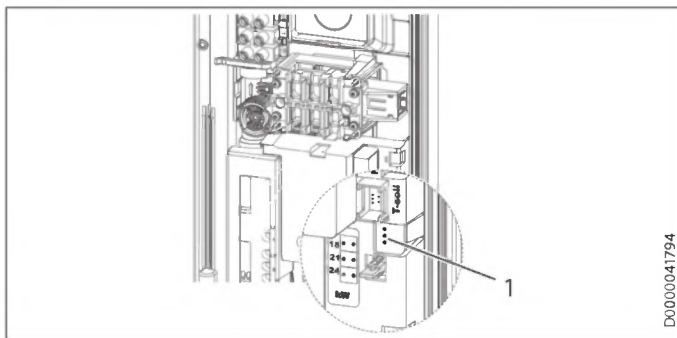


ПРЕДУПРЕДУВАЊЕ струен удар
За да можете да го проверите уредот, тој мора да биде под напон.

Можности за прикажување на дијагностичка светечка диода (LED)



црвено	свети при пречка
жолто	свети при греење
зелено	трепка: уред на мрежниот приклучок



1 Дијагностичка сијалица

Пречка / приказ на дијагностичка светечка диода	Причина	Отстранување
Премал проток.	Ситото во уредот е валкано.	Исчистете го ситото.
Не се постигнува заданата температура.	Нема една фаза.	Проверете го осигурувачот во домашната инсталација.
Греењето не се вклучува.	Воздух се препознава во водата и на кратко го исклучува греењето.	По една минута уредот продолжува да работи.

Пречка / приказ на дијагностичка светечка диода	Причина	Отстранување
Нема топла вода и нема приказ на индикаторот.	Избил осигурувач. Се активирал безбедносниот ограничувач на притисокот AP 3.	Проверете го осигурувачот во домашната инсталација. Отстранете ја причината за грешката (на пр. дефектен вентил за испирање). Заштитете го грејниот систем од прегревање, така што една минута ќе го отворите вентилот, приклучен веднаш по уредот. Со тоа, грејниот систем се ослободува од притисокот и се лади. Активирајте го безбедносниот ограничувач на притисокот при проточен притисок, така што ќе го притиснете тастерот за враќање во првобитна положба (види поглавје „Прво пуштање во работа“).
Приказ на семафорот: зелено трепка или свети постојано	Дефект на електрониката.	Проверете ја електрониката и заменете ја по потреба.
Нема топла вода, а протокот > 3 l/min.	Дефект на електрониката. Регистрирањето на протокот DFE не е вметнато.	Проверете ја електрониката и заменете ја по потреба. Повторно вметнете го приклучникот од уредот за регистрирање на протокот.
Приказ на семафорот: жолта свети постојано, зелена трепка	Дефект на препознавањето проток DFE.	Проверете го регистрирањето на протокот и, по потреба, заменете го уредот за регистрирање проток.
Нема топла вода при проток > 3 l/min.	Безбедносниот ограничувач на температурата се активирал или е прекинат.	Проверете го безбедносниот ограничувач на температурата и заменете го по потреба.
	Дефект на грејниот систем.	Измерете го отпорот на грејниот систем и, по потреба, заменете го отпорникот.
	Дефект на електрониката.	Проверете ја електрониката и заменете ја по потреба.
Приказ на семафорот: жолта свети постојано, зелена трепка	Истечниот сензор е откачен или постои прекин на кабел.	Вметнете го истечниот сензор и заменете го по потреба.
Приказ на семафорот: црвена свети постојано, зелена трепка	Дефект на сензорот за студена вода.	Проверете ја електрониката и заменете ја по потреба.
Нема топла вода	Приливната температура на студената вода е повисока од 45 °C.	Намалете ја приливната температура на студената вода во уредот.
Не се постигнува саканата температура > 45 °C.	Дефект на истечниот сензор (краток спој).	Проверете го истечниот сензор и заменете го по потреба.
Приказ на семафорот: црвена свети постојано, зелена трепка		

14. Одржување



ПРЕДУПРЕДУВАЊЕ струен удар
При секакви активности на уредот, одвојте го од мрежниот приклучок во сите полови.

Празнење на уредот

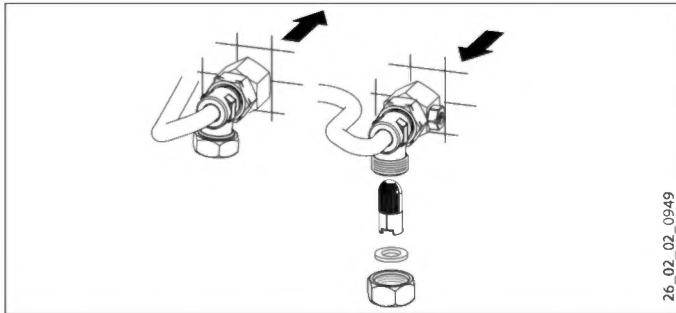
Заради изведување на активности на одржување можете да го испразните уредот.



ПРЕДУПРЕДУВАЊЕ горење
При празнење на уредот може да истече жешка вода.

- ▶ Затворете го затворачкиот вентил во дуплата нипла или во доводот на студена вода.
- ▶ Отворете ги сите вентили за пуштање вода.
- ▶ Одвртете ги приклучоците за вода на уредот.
- ▶ Чувајте го демонтираниот уред заштитен од мраз, бидејќи во него има преостаната вода која може да замрзне и да предизвика оштетувања.

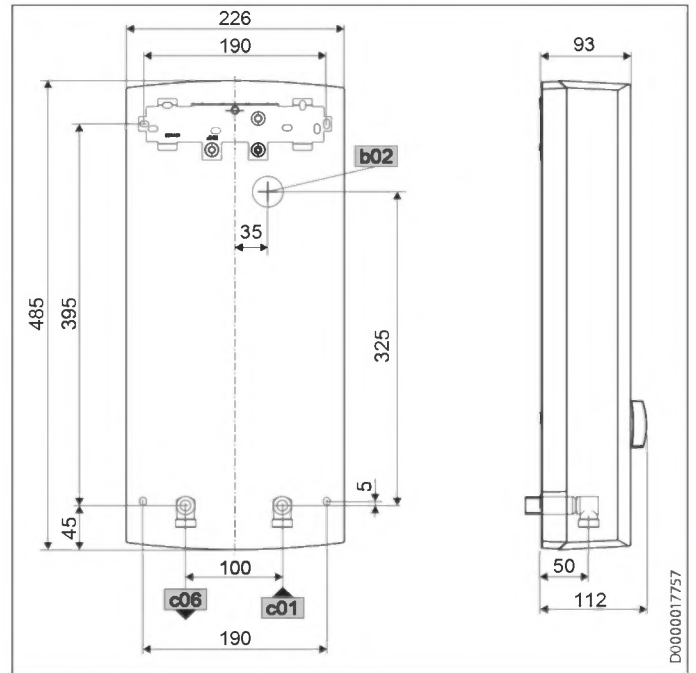
Чистење сито



Доколку има нечистотии, исчистете го ситото во навојниот приклучок за студена вода. Пред да го демонтирате, почистете и монтирајте, затворете го затворачкиот вентил во доводот на студена вода.

15. Технички податоци

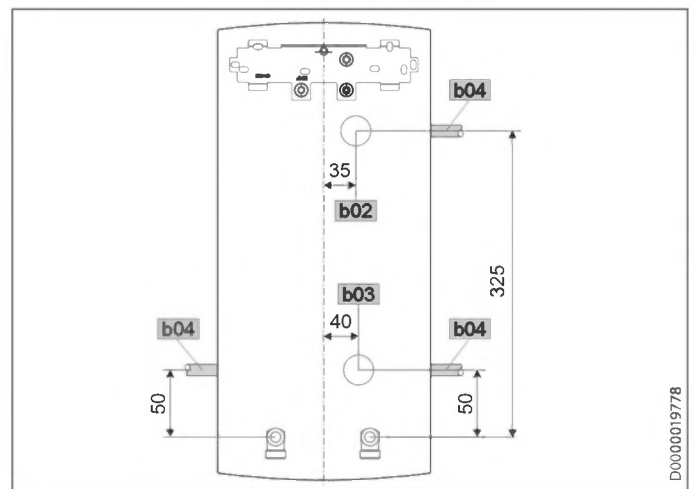
15.1 Димензии и приклучоци



b02 Спроведување на електричните водови I

c01 Прилив на студена вода	Надворешен навој	G 1/2 A
c06 Испуст на топла вода	Надворешен навој	G 1/2 A

Алтернативни можности за приклучување



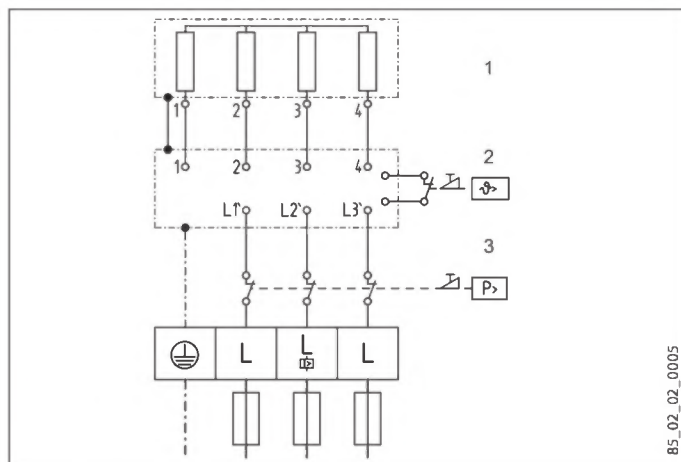
b02 Спроведување на електричните водови I

b03 Спроведување на електричните водови II

b04 Спроведување на електричните водови III

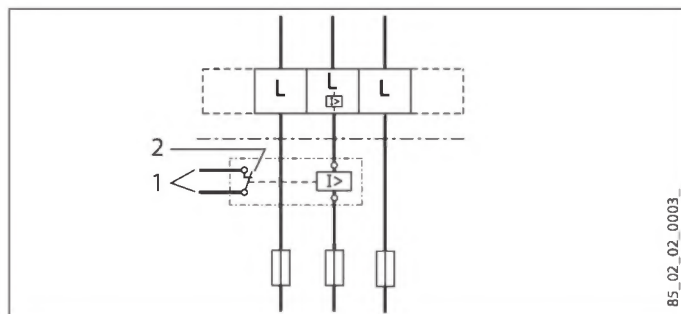
15.2 Шематски дијаграм

3/PE ~ 380-415 V



- 1 Греење
- 2 Безбедносен ограничувач на температура
- 3 Безбедносен ограничувач на притисок

Приоритетна склопка со LR 1-A



- 1 Управувачки вод за контакторот од вториот уред (на пр. електрично греење со резервоар).
- 2 Управувачкиот контакт отвора при вклучување на проточниот бојлер.

15.3 Капацитет на топла вода

Капацитетот на топла вода зависи од постојниот мрежен напон, приклучната моќност на уредот и приливната температура на студената вода. Номиналниот напон и номиналната моќност ќе ги најдете на плочката со ознаки (види поглавје „Отстранување проблеми“).

Приклучна моќност во kW			38 °C капацитет на топла вода во l/min.			
Номинален напон			Приливна температура на студена вода			
380 V	400 V	415 V	5 °C	10 °C	15 °C	20 °C
16,2			7,0	8,3	10,1	12,9
19			8,2	9,7	11,8	15,1
21,7			9,4	11,1	13,5	17,2
	18		7,8	9,2	11,2	14,3
	21		9,1	10,7	13,0	16,7
	24		10,4	12,2	14,9	19,0
		19,4	8,4	9,9	12,0	15,4
		22,6	9,8	11,5	14,0	17,9
		25,8	11,2	13,2	16,0	20,5

Приклучна моќност во kW			50 °C капацитет на топла вода во l/min.			
Номинален напон			Приливна температура на студена вода			
380 V	400 V	415 V	5 °C	10 °C	15 °C	20 °C
16,2			5,1	5,8	6,6	7,7
19			6,0	6,8	7,8	9,0
21,7			6,9	7,8	8,9	10,3
	18		5,7	6,4	7,3	8,6
	21		6,7	7,5	8,6	10,0
	24		7,6	8,6	9,8	11,4
		19,4	6,2	6,9	7,9	9,2
		22,6	7,2	8,1	9,2	10,8
		25,8	8,2	9,2	10,5	12,3

15.4 Подрачје на примена / Табела за конверзија

Специфичен електричен отпор и специфична електрична спроводливост на водата (види поглавје „Технички податоци“).

Нормативен навод при 15 °C			20 °C			25 °C		
Отпор $\rho \geq$	Спроводливост $\sigma \leq$		Отпор $\rho \geq$	Спроводливост $\sigma \leq$		Отпор $\rho \geq$	Спроводливост $\sigma \leq$	
$\Omega \text{ cm}$	mS/m	$\mu\text{S/cm}$	$\Omega \text{ cm}$	mS/m	$\mu\text{S/cm}$	$\Omega \text{ cm}$	mS/m	$\mu\text{S/cm}$
900	111	1111	800	125	1250	735	136	1361
1000	100	1000	890	112	1124	815	123	1227
1200	83	833	1070	93	935	985	102	1015
1300	77	769	1175	85	851	1072	93	933

15.5 Загуби на притисок

Арматури

Паѓање на притисокот на арматурите при проток од 10 l/min		
Еднорачна батерија, околу	MPa	0,04 - 0,08
Термостатска арматура, околу	MPa	0,03 - 0,05
Рачка за туш, околу	MPa	0,03 - 0,15

Одредување на димензиите на цевководната мрежа

За пресметка на димензиите на цевководната мрежа за уредот се препорачува загуба на притисок од 0,1 MPa.

15.6 Услови на пречки

Во случај на пречка, може да дојде до краткотрајни оптоварувања на инсталацијата од максимум 95 °C при притисок од 1,2 MPa.

15.7 Податоци за потрошувачката на енергија

Податоци за производот: Конвенционални бојлери според одредбата (EУ) бр. 812/2013 | 814/2013

		PEY 18/21/24
		233993
Производител		STIEBEL ELTRON
Профил на оптоварување		S
Класа на енергетска ефикасност		A
Енергетска ефикасност	%	39
Годишна потрошувачка на струја	kWh	477
Фабрички поставки на температурата	°C	60
Ниво на звучна моќност	dB(A)	15
Посебни совети за мерење на ефикасноста		Податоци за Pmax.
Дневна потрошувачка на струја	kWh	2,198

Технички податоци

15.8 Табела со податоци

		PEY 18/21/24 233993		
Електрични податоци				
Номинален напон	V	380	400	415
Номинален капацитет	kW	16,2/19/21,7	18/21/24	19,4/22,6/25,8
Номинална струја	A	27,6/29,5/33,3	29/31/35	30,1/32,2/36,3
Осигурување	A	32/32/35	32/32/35	32/32/40
Фреквенција	Hz	50/60	50/60	50/-
Фази				3/PE
Специфичен отпор $\rho_{15} \geq$ (при ϑ студено $\leq 25^\circ\text{C}$)	$\Omega \text{ cm}$	900	900	1000
Специфична спроводливост $\sigma_{15} \leq$ (при ϑ студено $\leq 25^\circ\text{C}$)	$\mu\text{S/cm}$	1111	1111	1000
Специфичен отпор $\rho_{15} \geq$ (при ϑ студено $\leq 45^\circ\text{C}$)	$\Omega \text{ cm}$	1200	1200	1300
Специфична спроводливост $\sigma_{15} \leq$ (при ϑ студено $\leq 45^\circ\text{C}$)	$\mu\text{S/cm}$	833	833	770
Макс. импеданс на мрежата при 50 Hz	Ω	0,284	0,270	0,260
Изведби				
Греен систем генератор на топлина				Гола жица
Изолирачки блок				Пластика
Приклучна снага по избор				X
Дефинирање на температурата	$^\circ\text{C}$			околу 30-60
Капа и заден сид				Пластика
Вид заштита (IP)				IP25
Боја				бело
Приклучоци				
Приклучување на вода				G 1/2 A
Граници на примена				
Макс. дозволен притисок	MPa			1
Макс. приливна температура за дополнително загревање	$^\circ\text{C}$			45
Вредности				
Макс. дозволена приливна температура	$^\circ\text{C}$			60
Вклучено	l/min			>3
Волуменска струја за опаѓање на притисокот	l/min			5,2/6,0/6,9
Опаѓање на притисокот при волуменска струја	MPa			0,08/0,10/0,13 (0,06/0,08/0,10 без DMB)
Ограничување волуменска струја при	l/min			8,0
Предавање топла вода	l/min			9,4/11,0/12,6
$\Delta\vartheta$ при предавање	K			26
Податоци за хидрауликата				
Номинална содржина	l			0,4
Димензии				
Висина	mm			485
Ширина	mm			226
Длабочина	mm			93
Тежини				
Тежина	kg			3,6



Напомена

Уредот е сообразен со IEC 61000-3-12.

Гаранција

За уредите набавени надвор од Германија не важат гарантните услови на нашите германски друштва. Понатаму, во земјите каде што нашите производи ги дистрибуира наша подружница, гаранцијата може да ја даде само подружницата. Таквата гаранција се дава само тогаш, кога подружницата има издадени сопствени услови за гаранција. Надвор од тоа не се дава никаква гаранција.

За уредите набавени во други земји, во коишто производите не ги дистрибуира наша подружница, не даваме никаква гаранција. Ова не влијае на евентуалните гаранции дадени од увозникот.

Животна средина и рециклирање

Помогнете да ја заштитите нашата животна средина. Отстранете ги материјалите по употребата во согласност со националните прописи.

СПЕЦИАЛНИ УКАЗАНИЯ

ОБСЛУЖВАНЕ

1. Общи указания	123
1.1 Указания за безопасност	123
1.2 Други маркировки в настоящата документация	124
1.3 Мерни единици	124
2. Безопасност	124
2.1 Използване съгласно предписанията	124
2.2 Общи указания за безопасност	124
2.3 Знак за качество	124
3. Описание на уреда	124
4. Настройки	125
4.1 Препоръки за настройки	125
5. Почистване, поддържане и техническо обслужване	125
6. Отстраняване на проблеми	125

ИНСТАЛИРАНЕ

7. Безопасност	126
7.1 Общи указания за безопасност	126
7.2 Режим душ	126
7.3 Разпоредби, стандарти и предписания	126
8. Описание на уреда	126
8.1 Обем на доставката	126
9. Подготовка	126
9.1 Място за монтаж	126
9.2 Свързване към водопроводната инсталация	127
10. Монтаж	127
10.1 Стандартен монтаж	127
10.2 Алтернативи за монтаж	130
10.3 Завършване на монтажа	132
11. Пускане в експлоатация	132
11.1 Първоначално пускане в експлоатация	132
11.2 Повторно пускане в експлоатация	133
12. Спиране от експлоатация	133
13. Отстраняване на неизправности	133
14. Техническо обслужване	134
15. Технически данни	134
15.1 Размери и изводи за свързване	134
15.2 Електрическа схема	135
15.3 Възможност за подаване на топла вода	135
15.4 Работни диапазони / Таблица за преизчисляване	135
15.5 Загуби на налягане	135
15.6 Условия на аварии	135
15.7 Данни за енергопотреблението	135
15.8 Таблица с данни	136

ГАРАНЦИЯ

ОКОЛНА СРЕДА И РЕЦИКЛИРАНЕ

СПЕЦИАЛНИ УКАЗАНИЯ

- Уредът може да се използва от деца над 3 години, както и от лица с намалени физически, сетивни или умствени способности, или с недостатъчен опит и знания, ако са под наблюдение или ако са инструктирани относно безопасната употреба на уреда и са разбрали произтичащите от това опасности. С уреда не бива да играят деца. Почистването и потребителското техническо обслужване не бива да се извършват от деца без наблюдение.
- Арматурата може да достигне температура до 60 °C. При температура на изхода над 43 °C съществува опасност от попарване.
- Уредът е подходящ за захранване на душ (режим душ). Ако уредът се използва също за или единствено за режим душ, специалист трябва да активира в уреда диапазона за настроената температура чрез ограничението на температурата (Tred = 55 °C). При използване на предварително затоплена вода трябва да се гарантира, че не се превишава входяща температура от 55 °C.
- Уредът трябва да може да се отделя от електропреносната мрежа от всички полюси с разделителен участък от най-малко 3 mm.
- Посоченото напрежение трябва да съответства на мрежовото напрежение.
- Уредът трябва да се свърже със защитния проводник.
- Уредът трябва да се свърже за постоянно с твърда връзка към електрическата мрежа.

- Закрепете уреда, както е показано в глава „Инсталиране / Монтаж“.
- Спазвайте максимално допустимото налягане (виж глава „Инсталиране / Технически данни / Таблица с данни“).
- Хидравличното съпротивление не трябва да е по-ниско от специфичното хидравлично съпротивление на водоснабдителната мрежа (виж глава „Инсталиране / Технически данни / Таблица с данни“).
- Изпразнете уреда, както е описано в Глава „Инсталиране / Техническо обслужване / Изпразване на уреда“.

ОБСЛУЖВАНЕ

1. Общи указания

Главите „Специални указания“ и „Обслужване“ са предназначени за потребителя и специалиста.

Главата „Инсталиране“ е предназначена за специалиста.



Указание

Преди да започнете да използвате уреда, прочетете внимателно това ръководство и го запазете. Предайте ръководството на евентуалния следващ потребител.

1.1 Указания за безопасност

1.1.1 Структура на указанията за безопасност



СИГНАЛНА ДУМА вид на опасността

Тук са посочени евентуалните последици от неспазването на указанията за безопасност.

- Тук са посочени мерките за избягване на опасността.

1.1.2 Символи, вид на опасността

Символ	Вид на опасността
	Нараняване
	Токов удар
	Изгаряне (Изгаряне, попарване)

1.1.3 Сигнални думи

СИГНАЛНА ДУМА	Значение
ОПАСНОСТ	Указания, чието неспазване води до тежки наранявания или смърт.
ПРЕДУПРЕЖДЕНИЕ	Указания, чието неспазване може да доведе до тежки наранявания или смърт.
ВНИМАНИЕ	Указания, чието неспазване може да доведе до средно тежки или леки наранявания.

1.2 Други маркировки в настоящата документация



Указание

Общите указания са обозначени с намиращия се в непосредствена близост символ.

► Прочетете внимателно текста на указанията.

Символ	Значение
	Материални щети (щети по уреда, косвени щети, увреждане на околната среда)
	Рециклиране на уредите

► Този символ Ви показва, че е необходимо да направите нещо. Необходимите действия се описват стъпка по стъпка.

1.3 Мерни единици



Указание

Ако не е указано друго, всички размери са в милиметри.

2. Безопасност

2.1 Използване съгласно предписанията

Уредът под налягане служи за загряване на питейна вода или за поддържане на температурата на предварително загрята вода. Уредът може да захранва няколко източника на вода.

Уредът е предназначен за употреба в домашна обстановка. Той може да бъде обслужван сигурно от лица, които не са инструктирани за работа с него. Уредът също така може да бъде използван и в недомашна обстановка, например в малки предприятия, стига да бъде използван по същия начин.

Счита се, че друго или излизащо извън тези рамки използване не съответства на предписанията. Към употребата по предназначение спада също и спазването на това ръководство, както и ръководствата за използването принадлежностите.

2.2 Общи указания за безопасност



ВНИМАНИЕ изгаряне

Арматурата може да достигне температура до 60 °C. При температура на изхода над 43 °C съществува опасност от попарване.



ВНИМАНИЕ изгаряне

При работа с предварително загрята вода, напр. от соларна система, температурата на топлата вода може да се различава от настроената зададена температура.



ПРЕДУПРЕЖДЕНИЕ нараняване

Уредът може да се използва от деца над 3 години, както и от лица с намалени физически, сетивни и умствени способности или с недостатъчен опит и знания, ако бъдат наблюдавани или са инструктирани относно безопасната употреба на уреда и са разбрали произтичащите от това опасности. С уреда не бива да играят деца. Почистването и потребителското техническо обслужване не бива да се извършват от деца без наблюдение.

Ако деца или лица с ограничени физически, сетивни или умствени възможности използват уреда, ние препоръчваме постоянно ограничение на температурата. Ограничението може да се настрои от специалист.



Материални щети

Потребителят трябва да предпазва уреда и арматурата от замръзване.

2.3 Знак за качество

Виж фирмената табелка на уреда.

3. Описание на уреда

Електронно регулираният проточен бойлер с автоматично адаптиране на мощността поддържа изходящата температура постоянна до границата на мощността. След това температурата се избира чрез арматурата за източване.

Температура на топлата вода

Можете да регулирате плавно изходящата температура на топлата вода.

Вътрешно температурно ограничение (специалист)

По желание на потребителя специалистът може да активира постоянно ограничение на температурата.

При захранване на душ специалистът трябва да активира ограничението на температурата.

Нагревателна система

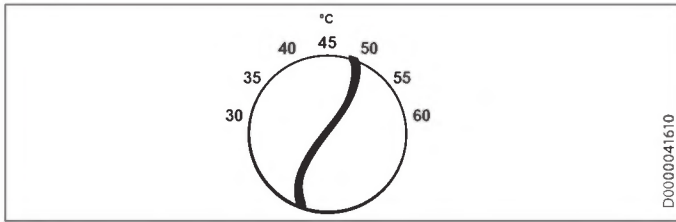
Нагревателната система с открити нагреватели има устойчив на налягане пластмасов корпус. Нагревателната система е предназначена за меки и твърди води и до значителна степен е нечувствителна към отлагане на котлен камък. Нагревателната система осигурява бързо и ефективно снабдяване с топла вода.



Указание

Уредът е оборудван с устройство за установяване наличие на въздух, което до голяма степен предотвратява повреждането на нагревателната система. Ако по време на експлоатацията в уреда навлезе въздух, уредът изключва нагревателната мощност за една минута и така предпазва нагревателната система.

4. Настройки



- ▶ Завъртете ключа за регулиране на температурата в желаната позиция.

Ако при напълно отворена арматура и настройка на максимална температура не се достига достатъчна изходяща температура, това означава, че през уреда тече повече вода, отколкото може да загрее нагревателят.

- ▶ Намалете дебита с арматурата.

4.1 Препоръки за настройки

Вашият проточен водонагревател осигурява максимална точност и максимален комфорт на подаване на топла вода. Ако въпреки това използвате уреда с термостатна арматура, препоръчваме:

- ▶ Настройте температурата на уреда на максимална температура. След това настройте желаната температура с термостатната арматура.

Пестене на енергия

Необходима Ви е минимална енергия при следните препоръчвани от нас настройки:

- 38 °C за умивалник за ръце, душ, вана
- 55 °C за кухненска мивка

Препоръчителна настройка при използване с термостатна арматура и соларно предварително затоплена вода

- ▶ Настройте температурата на уреда на максимална температура.

След прекъсване на водоподаването



Материални щети

За да не се разруши загряващата система с открити нагреватели след прекъсване на водоснабдяването, за пускането на уреда отново в експлоатация трябва да се изпълнят следните стъпки.

- ▶ Спрете подаването на напрежение към уреда, като изключите предпазителите.
- ▶ Отворете арматурата в продължение на една минута, докато се обезвъздушат уредът и намиращият се пред него подаващ тръбопровод за студена вода.
- ▶ Включете отново мрежовото напрежение.

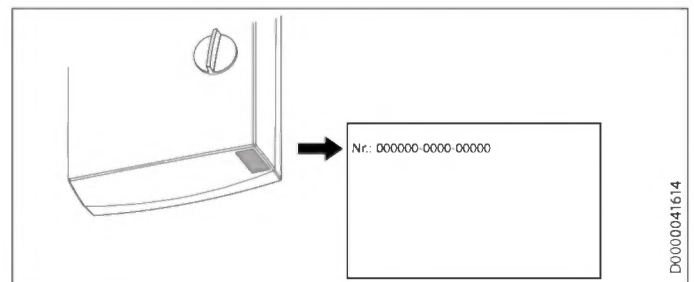
5. Почистване, поддържане и техническо обслужване

- ▶ Не използвайте абразивни или разтварящи почистващи средства. За поддържане и почистване на уреда е достатъчна влажна кърпа.
- ▶ Проверявайте редовно арматурите. Котления камък по изходите на арматурите можете да отстраните с обикновени средства за премахване на котлен камък.

6. Отстраняване на проблеми

Проблем	Причина	Отстраняване
Въпреки напълно отворения кран за топла вода, уредът не се включва.	Няма подадено напрежение.	Проверете предпазителите в сградната инсталация.
Желаната температура > 45 °C не се достига.	Дебитът е твърде нисък. Регулаторът на струята в арматурата или главата на душа е покрит с котлен камък или е замърсен.	Почистете и/или отстранете котления камък от регулатора на струята или от главата на душа.
Входящата температура на студената вода е > 45 °C.	Прекъсването е захранването с вода.	Обезвъздушете уреда и захранващия тръбопровод за студена вода (виж глава „Настройки“).
	Входящата температура на студената вода е > 45 °C.	Намалете входящата температура на студената вода.

Ако не можете да отстраните причината, повикайте специалист. За по-добра и по-бърза помощ му съобщете номера от фирмената табелка (000000-0000-00000):



ИНСТАЛИРАНЕ

7. Безопасност

Инсталирането, пускането в експлоатация, както и техническото обслужване и ремонтът на уреда, трябва да се извършват само от специалист.

7.1 Общи указания за безопасност

Ние гарантираме правилно функциониране и експлоатационна безопасност, само ако се използват предназначения за уреда оригинални принадлежности и оригинални резервни части.



Материални щети

Съблюдавайте максималната входяща температура. При по-високи температури уредът може да се повреди. С монтиране на централна термостатна арматура можете да ограничите максималната входяща температура.



ПРЕДУПРЕЖДЕНИЕ токов удар

Този уред съдържа кондензатори, които се зареждат след изключване от електрическата мрежа. Разрядното напрежение на кондензаторите може кратковременно да бъде > 60 V DC.

7.2 Режим душ



ВНИМАНИЕ изгаряне

► При захранване на душ настройте вътрешното ограничение на температурата на „Tred“, виж глава „Алтернативи за монтаж / Ограничение на температурата“.



ВНИМАНИЕ изгаряне

При захранване на уреда с предварително затоплена вода вземете под внимание следното указание:

Температурното ограничение, което се настройва вътрешно, евентуално ще бъде превишено.
► Ограничете температурата с монтирана централна термостатна арматура.

7.3 Разпоредби, стандарти и предписания



Указание

Съблюдавайте всички национални и регионални разпоредби и предписания.

- Степента на защита IP 25 (защита срещу водни струи) е гарантирана само с правилно монтирана кабелна муфа.

- Специфичното електрическо съпротивление на водата не бива да е по-малко от посоченото на фирмената табелка. При свързана водопроводна система трябва да се вземе под внимание най-ниското електрическо съпротивление на водата (виж глава „Технически данни / Работни диапазони / Таблица за преизчисляване“). Специфичното електрическо съпротивление или електропроводимостта на водата можете да научите от Вашето водоснабдително предприятие.

8. Описание на уреда

8.1 Обем на доставката

С уреда се доставят:

- Окачване за стена
- Шпилка за окачване на стена
- Монтажен шаблон
- 2 двойни нипела (студена вода със спирателен вентил)
- Плоски уплътнения
- Кабелна муфа (електрически захранващ проводник горе/долу)
- Винтове/Дюбели за закрепване на задната стена при свързване на водата при открит инсталация

За смяна на уреда:

- 2 удължителя за кран

9. Подготовка

9.1 Място за монтаж



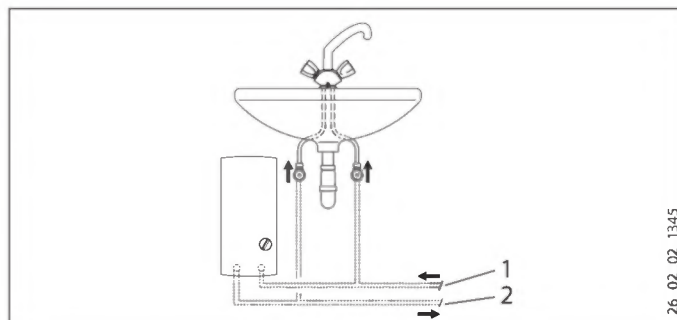
Материални щети

Инсталирането на уреда трябва да се извършва само в незамръзващо помещение.

- Монтирайте уреда вертикално и в близост до мястото на източване.

Уредът е подходящ за долен и горен монтаж.

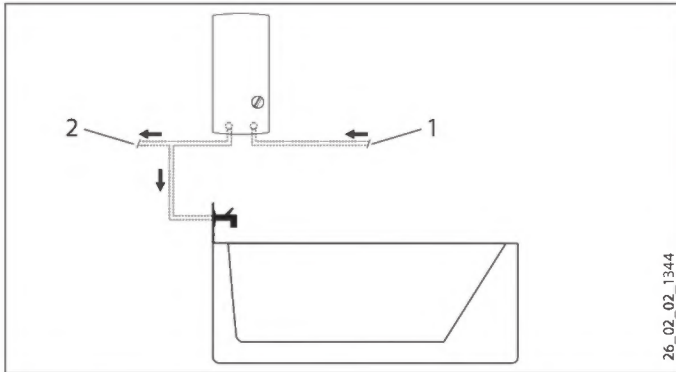
Долен монтаж



- 1 Вход студена вода
- 2 Изход топла вода

26_02_02_1345

Горен монтаж



- 1 Вход студена вода
2 Изход топла вода



Указание

- ▶ Монтирайте уреда на стената. Стената трябва да притежава достатъчна носимоспособност.

9.2 Свързване към водопроводната инсталация

- Не е необходим предпазен клапан.
- Предпазни клапани в тръбопровода за топла вода не са разрешени.
 - ▶ Промийте основно водопровода.
 - ▶ Уверете се, че обемният поток (виж глава „Технически данни / таблица с данните“, Включено) за включване на уреда е достигнат. В случай че дебитът не се достига, демонтирайте ограничителя на дебита (виж глава „Монтаж / Демонтаж на ограничителя на дебита“).
 - ▶ Увеличете налягането на водопровода, ако необходим обемен поток при напълно отворен източващ вентил не се достига.

Арматури

Използвайте подходящи арматури под налягане. Открити арматури не са допустими.



Указание

- ▶ Не трябва да използвате спирателния вентил във входа за студена вода, за да дроселирате дебита. Той служи за спиране на уреда.

Разрешени материали на водопроводите

- Захранващ тръбопровод за студена вода: горещоцинкована стоманена тръба, неръждаема тръба, медна тръба или пластмасова тръба
- Изходящ тръбопровод за топла вода: неръждаема тръба, медна тръба или пластмасова тръба



Материални щети

При използване на тръбни системи от пластмаса обръщайте внимание на максималната входяща температура и максимално допустимото налягане (виж глава „Технически данни / таблица с данните“).

Гъвкави свързващи водопроводи

- ▶ При инсталиране с гъвкави свързващи водопроводи предотвратете завъртане на тръбните колена с байонетни връзки в уреда.
- ▶ Закрепете задната стена в долната част с два допълнителни винта.

10. Монтаж

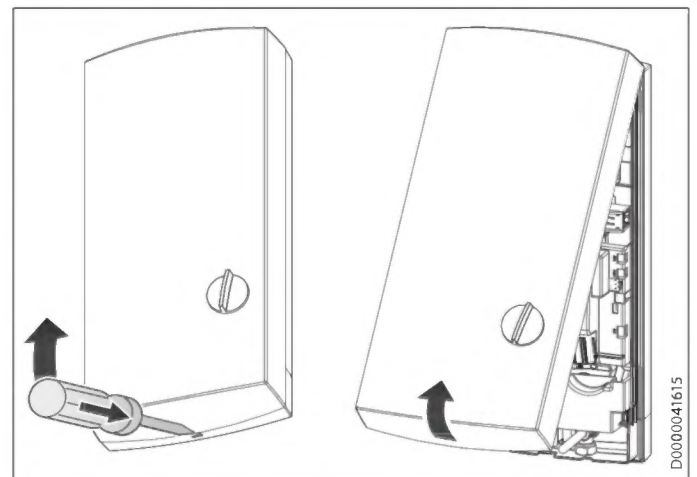
10.1 Стандартен монтаж

- Електрическо свързване горен монтаж, скрита инсталация
- Свързване на водата, скрита инсталация
- Средна мощност за присъединяване към мрежата, предварително настроена

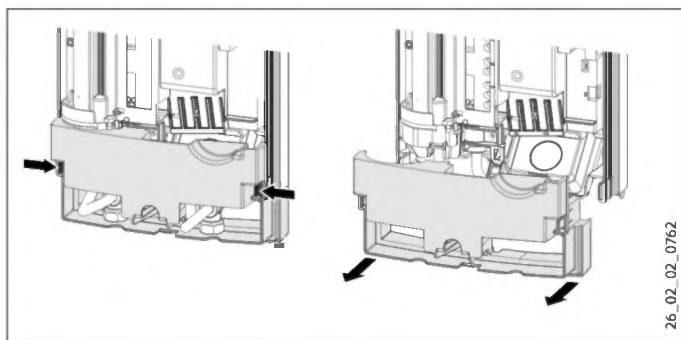
Други възможности за монтаж, виж глава „Алтернативи за монтаж“:

- Електрическо свързване, скрита инсталация, долен монтаж
- Електрическо свързване, открита инсталация
- Свързване на разтоварващо реле
- Свързване на водата, открита инсталация
- Свързване на водата, скрита инсталация, при смяна на уреда
- Работен режим с предварително затоплена вода
- Ограничение на температурата

Отваряне на уреда

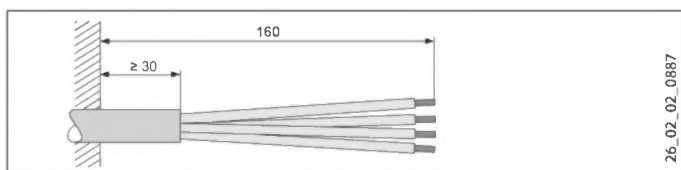


- ▶ Отворете уреда, като деблокирате фиксиращата ключалка.

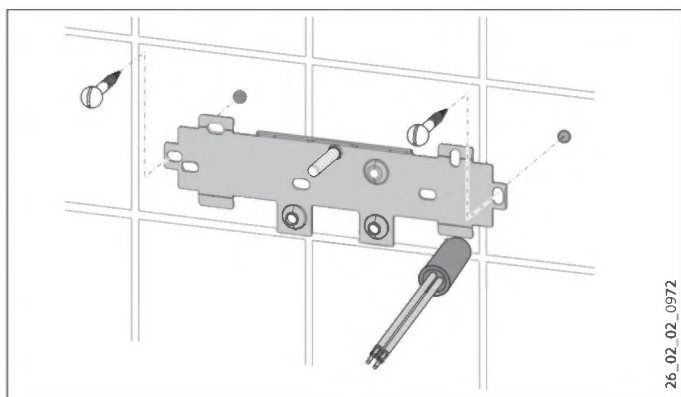


- ▶ Отделете задната стена, като натиснете двата фиксиращи палеца и свалите долната част на задната стена напред.

Подготовка на кабела за свързване към мрежата

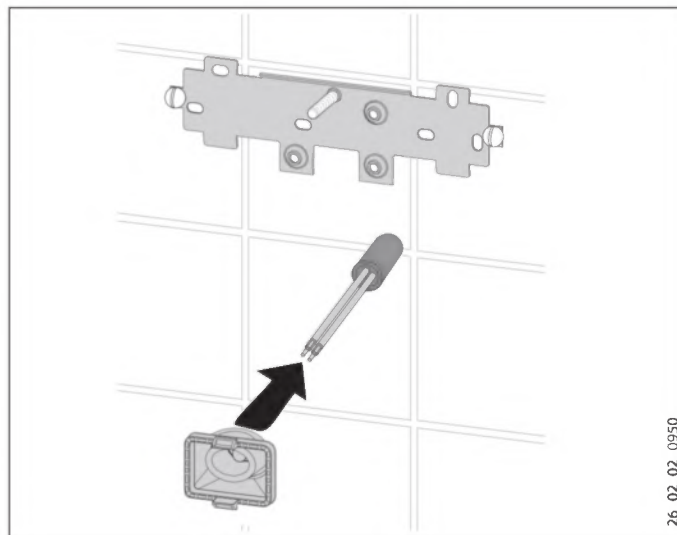


Монтиране на плунката за окачване на стена



- ▶ Отбележете отворите за пробиване с монтажния шаблон. При монтаж с открита инсталация на връзките за водата трябва допълнително да отбележите отворите за закрепване в долната част на шаблона.
- ▶ Пробийте отворите и закрепете плунката за окачване на стената с 2 винта и 2 дюбела (винтовете и дюбелите не са включени в комплекта на доставката).
- ▶ Монтирайте приложената шпилка.
- ▶ Монтирайте плунката за окачване на стената.

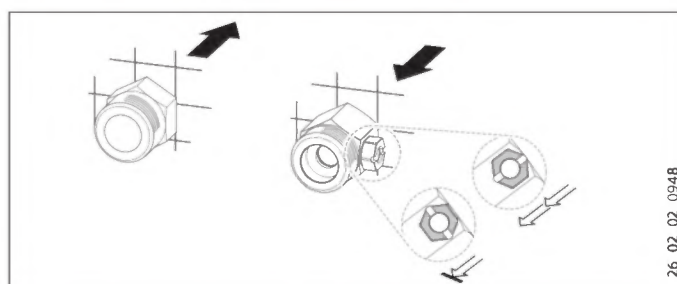
Монтаж на кабелната муфа



- ▶ Монтирайте кабелната муфа. При свързване кабел $> 6 \text{ mm}^2$ трябва да увеличите отвора в кабелната муфа.

Свързване на водопровода

- ! **Материални щети**
Извършете всички работи по свързването към водопроводната инсталация и монтажа съгласно предписанията.



- ▶ Уплътнете и навийте двойния нипел.

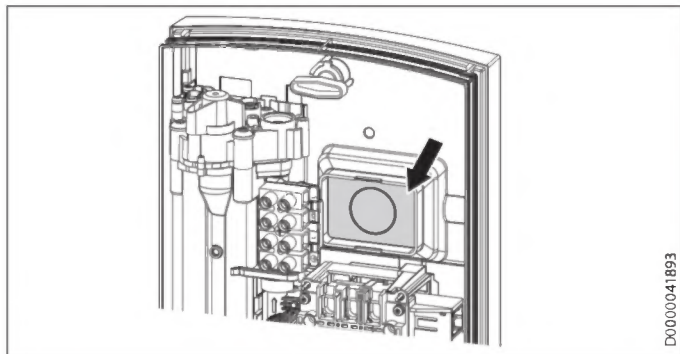
- ! **Материални щети**
Не трябва да използвате спирателния вентил във входа за студена вода, за да дроселирате дебита.

Подготовка на задната стена



Материални щети

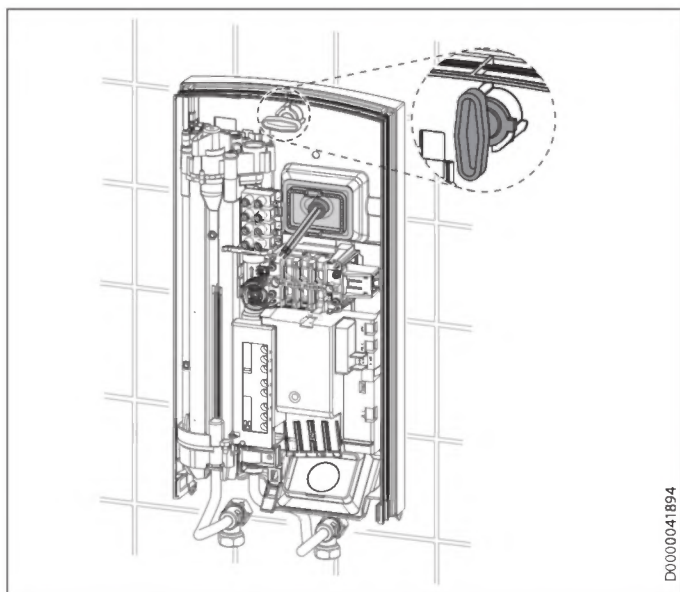
В случай че по невнимание отчупите неправилен отвор в задната стена, трябва да използвате нова задна стена.



D0000041893

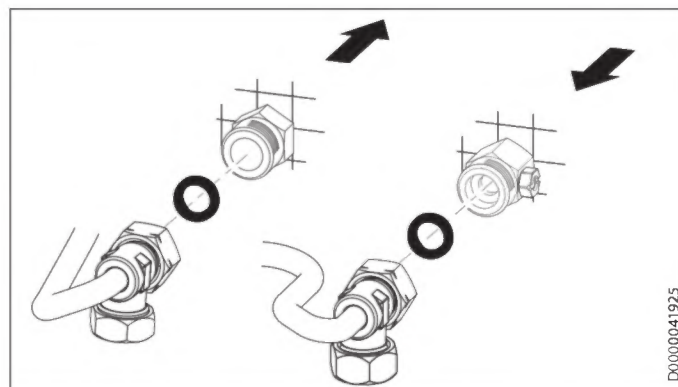
- ▶ Отчупете зададеното място за отвор за кабелната муфта в задната стена. При необходимост загладете острият ръбове с пила.

Монтиране на уреда



D0000041894

- ▶ Поставете задната стена през шпилката и кабелната муфта. С помощта на клещи издърпайте фиксиращите куки на кабелната муфта в задната стена, така че двете фиксиращи куки да се фиксират с щракване.
- ▶ Отстранете транспортните защитни тапи от водните връзки.
- ▶ Притиснете задната стена неподвижно и фиксирайте закрепващия лост със завъртане надясно на 90°.



D0000041925

- ▶ Завийте свързващите водата тръби с плоските уплътнения към двойните нипели.



Материални щети

За функционирането на уреда трябва да е монтирана цедката.

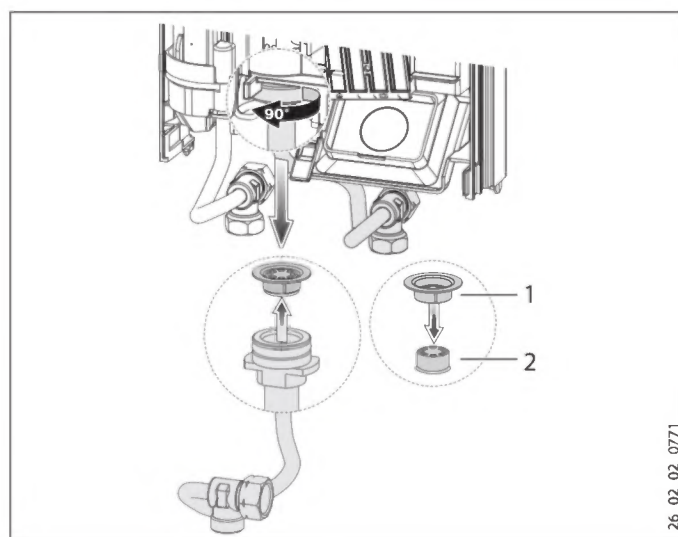
- ▶ При смяна на уреда проверете дали филтърът е налице (виж глава „Техническо обслужване“).

Демонтаж на ограничителя на дебита



Материални щети

В случай че използвате термостатна арматура, ограничителят на дебита не трябва да се демонтира.



26_02_02_0771

1 Пластмасова профилна шайба

2 Ограничител на дебита

- ▶ Демонтирайте ограничителя на дебита и поставете отново пластмасовата профилна шайба.

Извършване на електрическото свързване

⚡ ПРЕДУПРЕЖДЕНИЕ токов удар
Извършете всички работи по електрическото свързване и инсталиране съгласно предписанията.

⚡ ПРЕДУПРЕЖДЕНИЕ токов удар
Свързването към захранващата мрежа е разрешено само като твърда връзка с подвижна кабелна муфа. Уредът трябва да може да се отдели от електропреносната мрежа от всички полюси с разделителен участък от най-малко 3 mm.

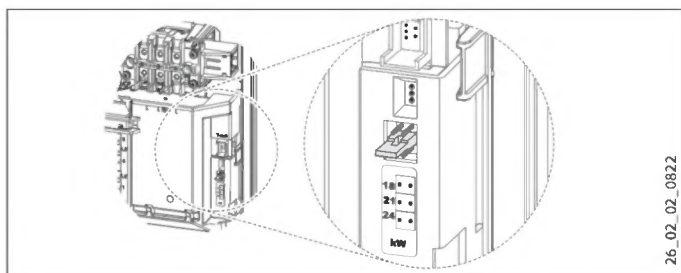
⚡ ПРЕДУПРЕЖДЕНИЕ токов удар
Внимавайте уредът да е свързан към защитния проводник.

! Материални щети
Съблюдавайте фабричната табелка. Посоченото напрежение трябва да съответства на мрежовото напрежение.

- ▶ Присъединете свързващия кабел в клемата за свързване към мрежата (виж глава „Технически данни / Електрическа схема“).

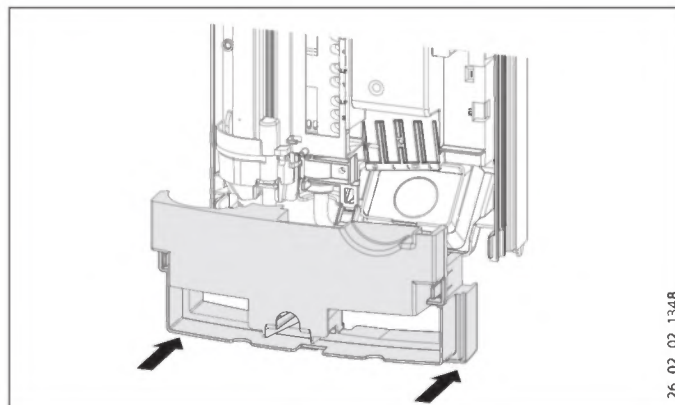
Превключване на кодиращия щекер

При доставката уредът е настроен за 21 kW. При пренастройка за друга мощност за присъединяване към мрежата трябва да предприемете следните стъпки:



- ▶ Превключете кодиращия щекер според избраната мощност за присъединяване към мрежата (избираема мощност за присъединяване към мрежата и защита с предпазители на уреда, виж глава „Технически данни / Таблица с данни“).
- ▶ На фабричната табелка отбележете с кръстче избраната мощност за присъединяване към мрежата. За тази цел използвайте химикал.

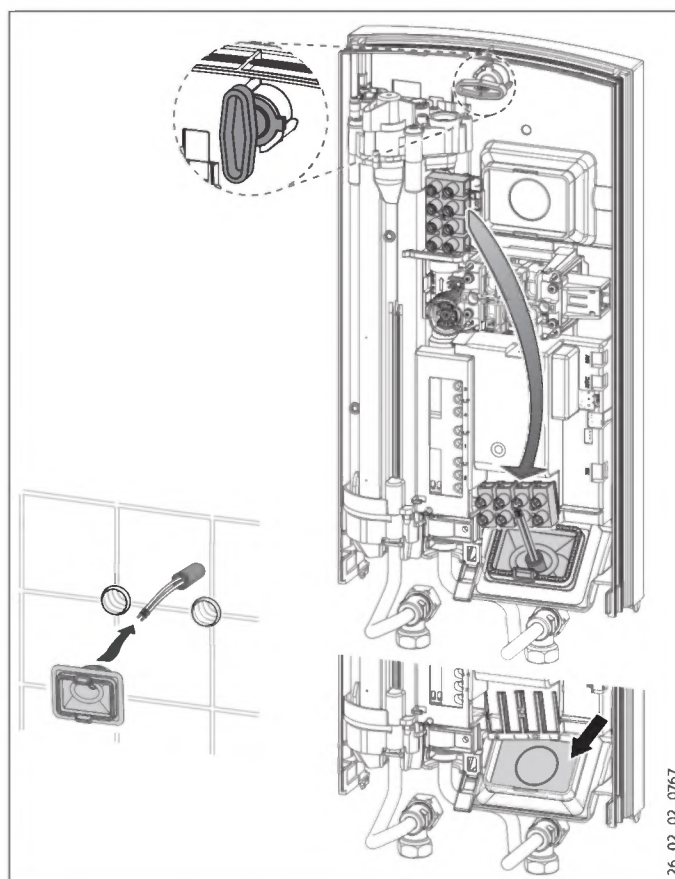
Монтаж на долната част на задната стена



- ▶ Монтирайте долната част на задната стена в задната стена и я фиксирайте.
- ▶ Нивелирайте монтирания уред, като освободите закрепващия лост, центровайте електрическата връзка и задната стена и затегнете отново закрепващия лост. Ако задната стена на уреда не приляга добре, можете да закрепите уреда в долната част с два допълнителни винта.

10.2 Алтернативи за монтаж

10.2.1 Електрическо свързване, скрита инсталация, долен монтаж



- ▶ Монтирайте кабелната муфа.



Материални щети

В случай че по невнимание отчупите неправилен отвор в задната стена, трябва да използвате нова задна стена.

- ▶ Отчупете зададеното място за отвор за кабелната муфа в задната стена. При необходимост загладете острият ръбове с пила.
- ▶ Преместете клемата за свързване към мрежата в уреда от горе долу.
- ▶ Поставете задната стена през шпилката и кабелната муфа. С помощта на клещи издърпайте фиксиращите куки на кабелната муфа в задната стена, така че двете фиксиращи куки да се фиксират с щракване.
- ▶ Притиснете задната стена неподвижно и фиксирайте закрепващия лост със завъртане надясно на 90°.

10.2.2 Електрическо свързване, открита инсталация



Указание

При този вид на свързване се променя степента на защита на уреда.

- ▶ Променете фирмената табелка. Зачеркнете „IP 25“ и отбележете с кръстче квадратчето „IP 24“. За тази цел използвайте химикал.



Материални щети

В случай че по невнимание отчупите неправилен отвор в задната стена, трябва да използвате нова задна стена.

- ▶ Изрежете или отчупете внимателно необходимия отвор в задната стена (за позициите виж глава „Технически данни / Размери и изводи за свързване“). При необходимост загладете острият ръбове с пила.
- ▶ Прекарайте свързващия кабел през кабелната муфа и го свържете към захранващата клемата.

10.2.3 Свързване на разтоварващо реле

При комбинация с други електроуреди, напр. електроакумулиращи нагревателни уреди, поставете разтоварващо реле в електроразпределителното табло. Разтоварването се извършва при експлоатация на проточния водонагревател.



Материални щети

Свържете фазата, която включва разтоварващото реле, към обозначената клемата за свързване към мрежата в уреда (виж глава „Технически данни / Електрическа схема“).

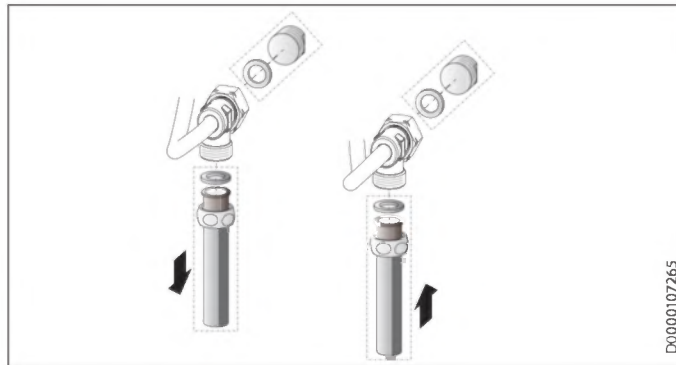
10.2.4 Свързване на водата, открита инсталация



Указание

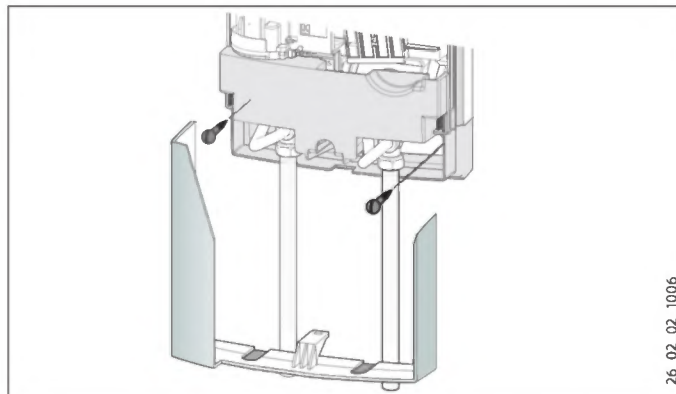
При този вид на свързване се променя степента на защита на уреда.

- ▶ Променете фирмената табелка. Зачеркнете „IP 25“ и отбележете с кръстче квадратчето „IP 24“. За тази цел използвайте химикал.



D0000107265

- ▶ Монтирайте водопроводните тапи с уплътнения, за да затворите връзката за скрита инсталация.
- ▶ Монтирайте подходяща арматура под налягане.



26_02_02_1006

- ▶ Закрепете задната стена в долната част с два допълнителни винта.
- ▶ Поставете долната част на задната стена под свързващите тръби на арматурата и я фиксирайте.
- ▶ Завинтете свързващите тръби към уреда.



Материални щети

В случай че по невнимание отчупите неправилен отвор в капака на уреда, трябва да използвате нов капак на уреда.

- ▶ Отчупете чисто отворите за преминаване в капака на уреда. При необходимост загладете острият ръбове с пила.

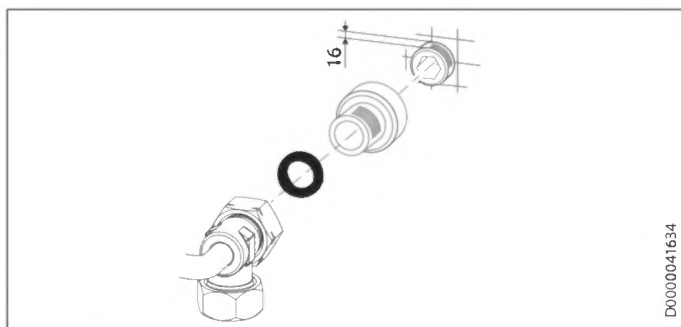
10.2.5 Свързване на водата, скрита инсталация при смяна на уреда

В случай че наличните двойни нипели на стария уред се показват само около 16 mm от стената, не можете да използвате доставените двойни нипели.



Указание

При това свързване спирането на захранването със студена вода е възможно само в сградната инсталация.



- ▶ Уплътнете и завийте приложените удължители за кран.
- ▶ Свържете уреда.

10.2.6 Работен режим с предварително затоплена вода

С монтиране на централна термостатна арматура се ограничава максималната входяща температура.

10.2.7 Ограничение на температурата

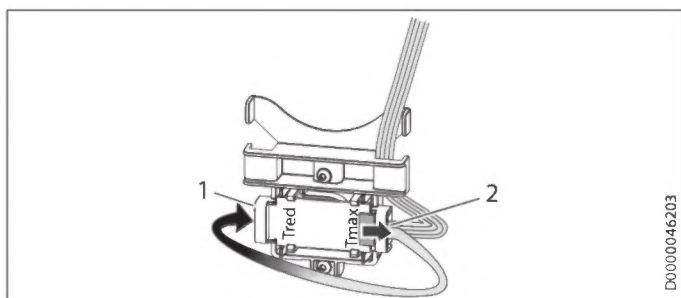


ВНИМАНИЕ изгаряне

При работа с предварително загрята вода е възможно настроеното ограничение на температурата да не е ефективно.

- ▶ В такъв случай ограничете температурата с допълнително включена централна термостатна арматура.

Можете да настроите ограничението на температурата вътре в капака на уреда.



- 1 Позиция „Tred“ (55 °C): Ограничение на температурата
- 2 Позиция „Tmax“: няма ограничение на температурата, виж диапазона за настроената температура в глава „Технически данни / Таблица с данни“.

10.3 Завършване на монтажа

- ▶ Отворете спирателния вентил в двойния нипел или захранващия тръбопровод за студена вода.

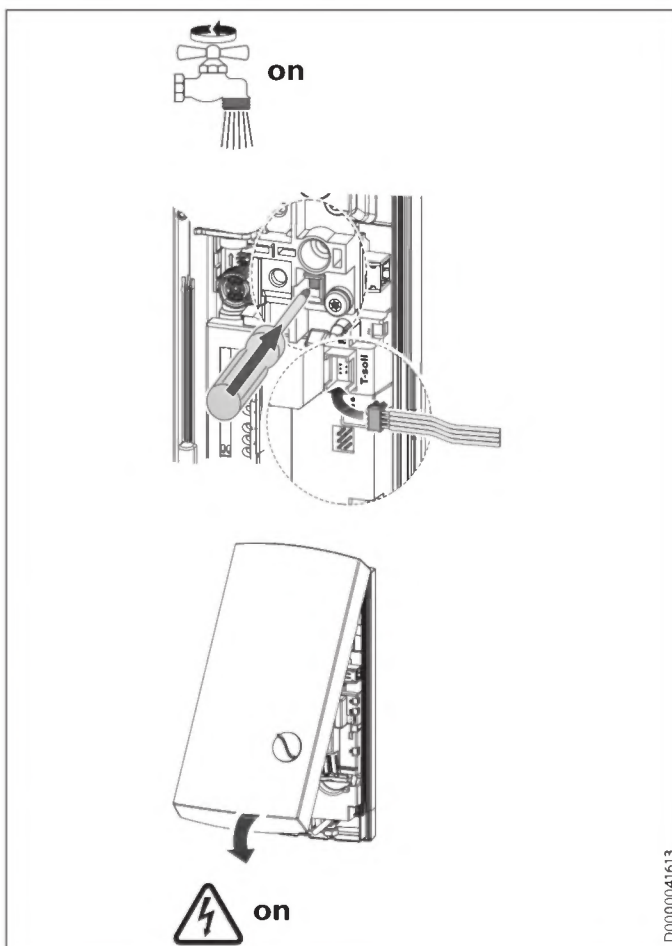
11. Пускане в експлоатация



ПРЕДУПРЕЖДЕНИЕ токов удар

Пускането в експлоатация трябва да се извърши само от специалист при спазване на правилата за безопасност.

11.1 Първоначално пускане в експлоатация



- ▶ Неколкократно отворете и затворете всички отточни кранове, докато тръбопроводът и уредът се обезвъздушат.
- ▶ Извършете проверка на уплътняването.
- ▶ Активирайте предпазния ограничител на налягането, като натиснете силно бутона за нулиране (уредът се доставя с деактивиран предпазен ограничител на налягането).
- ▶ Включете щекера на кабела на температурния регулатор в електронния блок.
- ▶ Монтирайте капака на уреда така, че да се фиксира с щракване. Проверете положението на капака на уреда.
- ▶ Включете мрежовото захранване.
- ▶ Проверете начина на работа на уреда.

Предаване на уреда

- Обяснете на потребителя функционирането на уреда и го запознайте с употребата му.
- Обърнете внимание на потребителя за възможните опасности, особено за опасността от попарване.
- Предайте настоящото ръководство.

11.2 Повторно пускане в експлоатация

Обезвъздушете уреда и захранващия тръбопровод за студена вода (виж глава „Настройки“).

Виж глава „Първоначално пускане в експлоатация“.

12. Спиране от експлоатация

- Изключете уреда от мрежовото напрежение за всички полюси.
- Изпразнете уреда (виж глава „Техническо обслужване“).

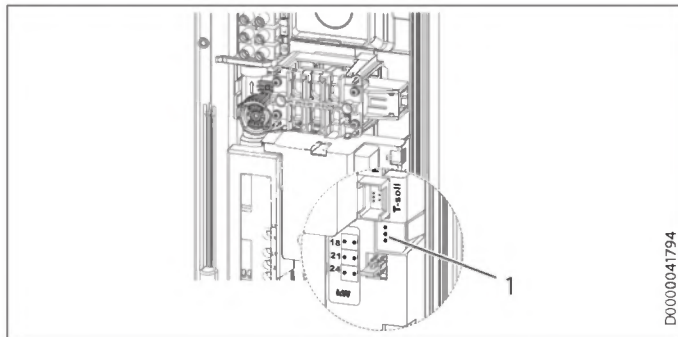
13. Отстраняване на неизправности



ПРЕДУПРЕЖДЕНИЕ токов удар
За да можете да проверите уреда, към него трябва да е подадено мрежово напрежение.

Възможности за показания на индикатора за диагностика (светодиоди)

●	червено	свети при повреда
●	жълто	свети при режим нагряване
○	зелено	мига: уредът е включен към мрежата



1 Индикатор за диагностика

Повреда / Индикация за диагностика със светодиоди	Причина	Отстраняване
Дебитът е много малък.	Филтърът в уреда е замърсен.	Почистете филтъра.
Зададената температура не се достига.	Една фаза липсва.	Проверете предпазителя в сградната инсталация.
Нагревателят не се включва.	Във водата се разпознава въздух, който за кратко изключва награвателната мощност.	След една минута уредът започва да работи отново.

Повреда / Индикация за диагностика със светодиоди	Причина	Отстраняване
Няма топла вода и няма световарна индикация.	Предпазителят е сработил. Предпазният ограничител на налягането AP 3 е изключил.	Проверете предпазителя в сградната инсталация. Отстранете причината за повреда (напр. дефектен промивен апарат, работещ под налягане). Предпазете награвателната система от преграване, като отворите за една минута крана, монтиран след уреда. По този начин се изпуска налягането в награвателната система и тя се охлажда. Активирайте предпазния ограничител на налягането при работно налягане, като натиснете бутон за нулиране (виж глава „Първо пускане в експлоатация“).
Световарна индикация: зеленото мига или свети постоянно	Електрониката е дефектна.	Проверете електрониката и при необходимост я сменете.
Няма топла вода при дебит > 3 l/min.	Дебитомерът DFE не е включен. Дебитомерът DFE е повреден.	Включете отново щекера на дебитомера. Проверете дебитомера и при необходимост го сменете.
Световарна индикация: жълтото свети постоянно, зеленото мига	Предпазният ограничител на температурата се е задействал или е прекъснат.	Проверете предпазния ограничител на температурата и при необходимост го сменете.
Няма топла вода при дебит > 3 l/min.	Награвателната система е повредена.	Измерете съпротивлението на награвателната система и при необходимост го сменете.
Световарна индикация: жълтото свети постоянно, зеленото мига	Електрониката е дефектна.	Проверете електрониката и при необходимост я сменете.
Световарна индикация: жълтото свети постоянно, зеленото мига	Изходящият датчик е разкачен или има прекъсване на проводника.	Включете изходящия датчик и при необходимост го сменете.
Световарна индикация: червеното свети постоянно, зеленото мига	Сензорът за студената вода е повреден.	Проверете електрониката и при необходимост я сменете.
Няма топла вода, желаната температура > 45 °C не се достига.	Входящата температура на студената вода е по-висока от 45 °C.	Намалете входящата температура на студената вода към уреда.
Световарна индикация: червеното свети постоянно, зеленото мига	Изходящият датчик е повреден (късо съединение).	Проверете изходящия датчик и при необходимост го сменете.

14. Техническо обслужване



ПРЕДУПРЕЖДЕНИЕ токов удар
При всички работи изключвайте всички полюси на уреда от захранващата мрежа.

Изпразване на уреда

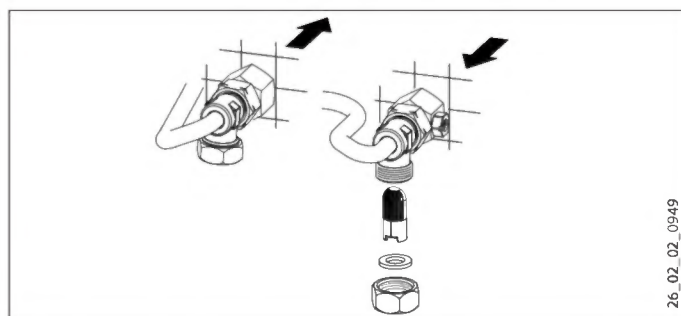
За работи по техническото обслужване можете да изпразните уреда.



ПРЕДУПРЕЖДЕНИЕ изгаряне
При изпразването на уреда може да изтече гореща вода.

- ▶ Затворете спирателния вентил в двойния нипел или захранващия тръбопровод за студена вода.
- ▶ Отворете всички отточни кранове.
- ▶ Разединете водните съединения от уреда.
- ▶ Съхранявайте демонтирания уред на незамръзващо място, защото в уреда има остатъчна вода, която може да замръзне и да причини повреди.

Почистване на филтъра

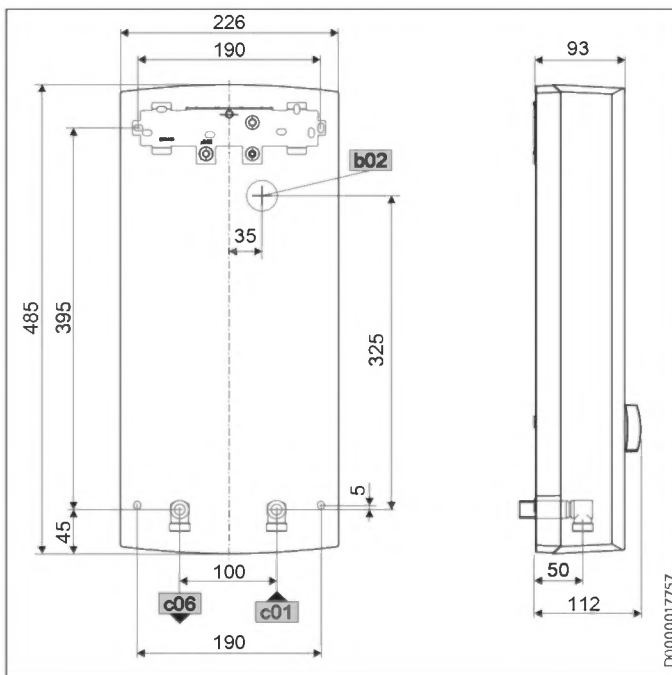


26_02_02_0949

При замърсяване почистете филтъра в резбовата връзка за студена вода. Затворете спирателния вентил в захранващия тръбопровод за студена вода, преди да демонтирате, почистите и монтирате отново филтъра.

15. Технически данни

15.1 Размери и изводи за свързване

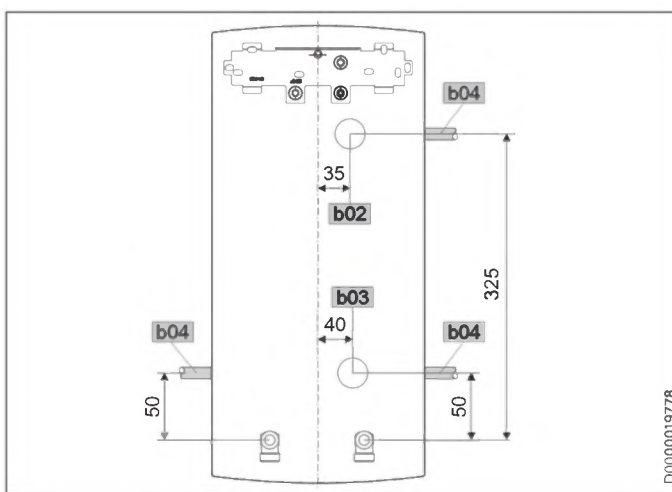


D000001757

b02 Проход за електрически проводници I

c01	Вход студена вода	Външна резба	G 1/2 A
c06	Изход топла вода	Външна резба	G 1/2 A

Алтернативни възможности за свързване



D0000019778

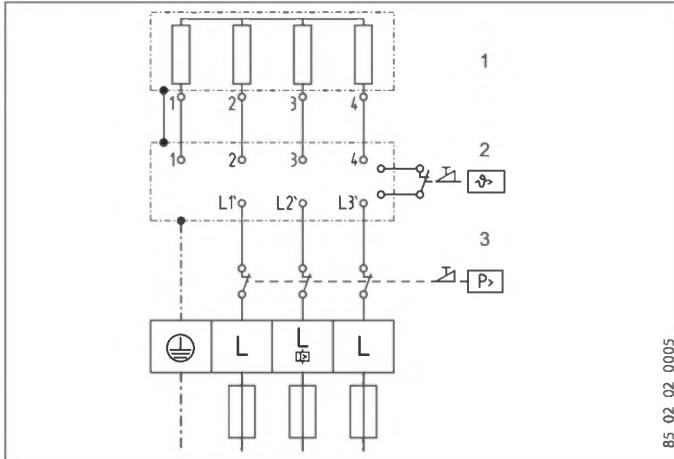
b02 Прекарване на електрически проводници I

b03 Прекарване на електрически проводници II

b04 Прекарване на електрически проводници III

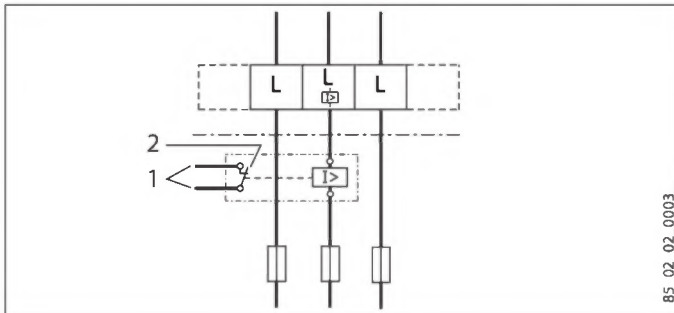
15.2 Електрическа схема

3/PE ~ 380 – 415 V



- 1 Нагревател
- 2 Предпазен температурен ограничител
- 3 Предпазен ограничител на налягането

Изходна схема с LR 1-A



- 1 Управляващ проводник към защитния контактор на 2-ия уред (например електрически акумулиращ нагревателен уред).
- 2 Управляващ контакт, отваря при включване на проточния водонагревател.

15.3 Възможност за подаване на топла вода

Възможността за подаване на топла вода зависи от подаденото мрежово напрежение, инсталираната мощност на уреда и входящата температура на студената вода. Номиналното напрежение и номиналната мощност са посочени на фабричната табелка (виж глава „Отстраняване на проблеми“).

Инсталирана мощност в kW			Възможност за подаване на топла вода 38 °C в l/min.			
Номинално напрежение			Входяща температура на студената вода			
380 V	400 V	415 V	5 °C	10 °C	15 °C	20 °C
16,2			7,0	8,3	10,1	12,9
19			8,2	9,7	11,8	15,1
21,7			9,4	11,1	13,5	17,2
	18		7,8	9,2	11,2	14,3
	21		9,1	10,7	13,0	16,7
	24		10,4	12,2	14,9	19,0
		19,4	8,4	9,9	12,0	15,4
		22,6	9,8	11,5	14,0	17,9
		25,8	11,2	13,2	16,0	20,5

Инсталирана мощност в kW			Възможност за подаване на топла вода 50 °C в l/min.			
Номинално напрежение			Входяща температура на студената вода			
380 V	400 V	415 V	5 °C	10 °C	15 °C	20 °C
16,2			5,1	5,8	6,6	7,7
19			6,0	6,8	7,8	9,0
21,7			6,9	7,8	8,9	10,3
	18		5,7	6,4	7,3	8,6
	21		6,7	7,5	8,6	10,0
	24		7,6	8,6	9,8	11,4
		19,4	6,2	6,9	7,9	9,2
		22,6	7,2	8,1	9,2	10,8
		25,8	8,2	9,2	10,5	12,3

15.4 Работни диапазони / Таблица за преизчисляване

Специфично електрическо съпротивление и специфична електропроводимост (виж глава „Таблица с данни“).

Норма при 15 °C			20 °C			25 °C		
Съпротивление $\rho \geq$	Електропроводимост $\sigma \leq$	Единица	Съпротивление $\rho \geq$	Електропроводимост $\sigma \leq$	Единица	Съпротивление $\rho \geq$	Електропроводимост $\sigma \leq$	Единица
$\Omega \text{ cm}$	mS/m	$\mu\text{S/cm}$	$\Omega \text{ cm}$	mS/m	$\mu\text{S/cm}$	$\Omega \text{ cm}$	mS/m	$\mu\text{S/cm}$
900	111	1111	800	125	1250	735	136	1361
1000	100	1000	890	112	1124	815	123	1227
1200	83	833	1070	93	935	985	102	1015
1300	77	769	1175	85	851	1072	93	933

15.5 Загуби на налягане

Арматури

Загуби на налягане на арматурите при обемен поток 10 l/min		
Смесител за обслужване с една ръка, около	MPa	0,04 - 0,08
Термостатна арматура, ок.	MPa	0,03 - 0,05
Ръчен душ, ок.	MPa	0,03 - 0,15

Оразмеряване на тръбната мрежа

За изчисляване на оразмеряването на тръбната мрежа за уреда се препоръчва загуба на налягане от 0,1 MPa.

15.6 Условия на аварии

В случай на авария в инсталацията могат кратковременно да възникнат натоварвания от максимум 95 °C при налягане от 1,2 MPa.

15.7 Данни за енергопотреблението

Продуктова спецификация: Конвенционални водоподгреватели съгласно Регламент (ЕС) № 812/2013 | 814/2013

PEY 18/21/24	
Производител	STIEBEL ELTRON
Профил на натоварването	S
Клас на енергийна ефективност	A
Енергийна ефективност	% 39
Годишен разход на електроенергия	kWh 477
Фабрична настройка на температурата	°C 60
Ниво на шума	dB(A) 15
Специални указания за измерване на ефективността	Данни при P _{макс}
Дневен разход на електроенергия	kWh 2,198

Технически данни

15.8 Таблица с данни

		PEY 18/21/24 233993		
Електрически данни				
Номинално напрежение	V	380	400	415
Номинална мощност	kW	16,2/19/21,7	18/21/24	19,4/22,6/25,8
Номинален ток	A	27,6/29,5/33,3	29/31/35	30,1/32,2/36,3
Защита с предпазители	A	32/32/35	32/32/35	32/32/40
Честота	Hz	50/60	50/60	50/-
Фази				3/PE
Специфично съпротивление $\rho_{15} \geq$ (при ϑ студена вода $\leq 25^\circ\text{C}$)	$\Omega \text{ cm}$	900	900	1000
Специфична електропроводимост $\sigma_{15} \leq$ (при ϑ студена вода $\leq 25^\circ\text{C}$)	$\mu\text{S/cm}$	1111	1111	1000
Специфично съпротивление $\rho_{15} \geq$ (при ϑ студена вода $\leq 45^\circ\text{C}$)	$\Omega \text{ cm}$	1200	1200	1300
Специфична електропроводимост $\sigma_{15} \leq$ (при ϑ студена вода $\leq 45^\circ\text{C}$)	$\mu\text{S/cm}$	833	833	770
Макс. импеданс на мрежата при 50 Hz	Ω	0,284	0,270	0,260
Изпълнения				
Нагревателна система отоплителен уред		Открит нагревател		
Изолиращ блок		Пластмаса		
Избираема мощност за присъединяване		X		
Настройка на температурата	$^\circ\text{C}$	около 30 – 60		
Капак и задна стена		Пластмаса		
Степен на защита (IP)		IP25		
Цвят		бял		
Връзки				
Свързване към водопроводната инсталация		G 1/2 A		
Граници на работния диапазон				
Макс. допустимо налягане	MPa	1		
Макс. температура на подаване на предварително затоплена вода	$^\circ\text{C}$	45		
Стойности				
Макс. допустима входяща температура	$^\circ\text{C}$	60		
Включване	l/min	>3		
Обемен поток за загуба на налягане	l/min	5,2/6,0/6,9		
Загуба на налягане при обемен поток	MPa	0,08/0,10/0,13 (0,06/0,08/0,10 без DMB)		
Обемен ток - Ограничение при	l/min	8,0		
Подаване на топла вода	l/min	9,4/11,0/12,6		
$\Delta\vartheta$ при подаване	K	26		
Хидравлични данни				
Номинален обем	l	0,4		
Размери				
Височина	mm	485		
Широчина	mm	226		
Дълбочина	mm	93		
Тегла				
Тегло	kg	3,6		

Гаранция

За закупените извън Германия уреди не важат гаранционните условия на нашите немски дружества. По-конкретно, в страни, в които нашите продукти се продават от наше дъщерно дружество, ще бъде предоставена гаранция само от това дъщерно дружество. Такава гаранция се предоставя само ако дъщерното дружество е съставило свои собствени гаранционни условия. В допълнение към това не се предоставят друга гаранция.

За уреди, които са закупени в държави, в които няма наши дъщерни дружества продаващи нашите продукти, ние не предоставяме гаранция. Настоящото не касае евентуалните предоставяни от вносителя гаранции.

Околна среда и рециклиране

Подкрепете усилията за опазване на околната среда. След употреба, изхвърляйте материалите в съответствие с националните предписания.



Указание

Уредът съответства на IEC 61000-3-12.

СПЕЦИАЛЬНЫЕ УКАЗАНИЯ

ЭКСПЛУАТАЦИЯ

1. Общие указания	138
1.1 Указания по технике безопасности	138
1.2 Другие обозначения в данной документации	138
1.3 Единицы измерения	139
2. Техника безопасности	139
2.1 Использование по назначению	139
2.2 Общие указания по технике безопасности	139
2.3 Знак технического контроля	139
3. Описание устройства	139
4. Настройки	140
4.1 Рекомендации по регулированию	140
5. Чистка, уход и техническое обслуживание	140
6. Поиск и устранение проблем	140

УСТАНОВКА

7. Техника безопасности	141
7.1 Общие указания по технике безопасности	141
7.2 Режим душа	141
7.3 Предписания, стандарты и положения	141
8. Описание устройства	141
8.1 Комплект поставки	141
9. Подготовительные мероприятия	141
9.1 Место монтажа	141
9.2 Водопроводные работы	142
10. Монтаж	142
10.1 Стандартный	142
10.2 Варианты монтажа	146
10.3 Завершение монтажа	148
11. Ввод в эксплуатацию	148
11.1 Первый ввод в эксплуатацию	148
11.2 Повторный ввод в эксплуатацию	148
12. Вывод из эксплуатации	148
13. Поиск и устранение неисправностей	148
14. Техническое обслуживание	149
15. Технические характеристики	150
15.1 Размеры и подключения	150
15.2 Электрическая схема	150
15.3 Производительность по горячей воде	151
15.4 Рабочие диапазоны / Таблица пересчета данных	151
15.5 Потери давления	151
15.6 Возможные неисправности	151
15.7 Характеристики энергопотребления	151
15.8 Таблица параметров	152

ГАРАНТИЯ

ЗАЩИТА ОКРУЖАЮЩЕЙ СРЕДЫ И УТИЛИЗАЦИЯ

СПЕЦИАЛЬНЫЕ
УКАЗАНИЯ

- Детям старше 3 лет, а также лицам с ограниченными физическими и умственными способностями, не имеющим опыта и не владеющим информацией о приборе, разрешено использовать прибор только под присмотром других лиц или после соответствующего инструктажа о правилах безопасного пользования и потенциальной опасности в случае несоблюдения этих правил. Не допускать шалостей детей с прибором. Дети могут выполнять чистку прибора и те виды технического обслуживания, которые обычно производятся пользователем, только под присмотром взрослых.
- Арматура может нагреваться до температуры 60 °С. При температуре воды на выходе выше 43 °С существует опасность обваривания.
- Прибор подходит для снабжения горячей водой душа (режим душа). Если прибор будет периодически или постоянно использоваться в режиме душа, специалист должен активировать возможность настройки температуры выше значения ограничения ($T_{red} = 55\text{ °C}$). При использовании предварительно подогретой воды необходимо убедиться, что температура подачи не будет превышать 55 °С.
- Прибор должен отключаться от сети с размыканием всех контактов на всех полюсах и изолированием на расстоянии не менее 3 мм.
- Напряжение сети должно совпадать с указанным на табличке.
- Прибор необходимо подключить к проводу заземления.

- Прибор должен быть подключен к стационарной электрической проводке.
- Закрепить прибор, как описано в главе «Установка / Монтаж».
- Убедиться, что давление соответствует максимально допустимому (см. главу «Установка / Технические характеристики / Таблица параметров»).
- Удельное электрическое сопротивление воды не должно быть ниже указанного на заводской табличке (см. главу «Установка / Технические характеристики / Таблица параметров»).
- При опорожнении прибора следовать указаниям главы «Установка / Техническое обслуживание / Опорожнение прибора».

ЭКСПЛУАТАЦИЯ

1. Общие указания

Главы «Специальные указания» и «Эксплуатация» предназначены для пользователя и специалиста.

Глава «Установка» предназначена для специалиста.



Указание

Перед началом эксплуатации следует внимательно прочитать данное руководство и сохранить его. При необходимости передать настоящее руководство следующему пользователю.

1.1 Указания по технике безопасности

1.1.1 Структура указаний по технике безопасности



СИГНАЛЬНОЕ СЛОВО Вид опасности

Здесь приведены возможные последствия несоблюдения указания по технике безопасности.

► Здесь приведены мероприятия по предотвращению опасности.

1.1.2 Символы, вид опасности

Символ	Вид опасности
	Травма
	Поражение электрическим током
	Ожог (ожог, обваривание)

1.1.3 Сигнальные слова

СИГНАЛЬНОЕ СЛОВО	Значение
ОПАСНОСТЬ	Указания, несоблюдение которых приводит к серьезным травмам или к смертельному исходу.
ПРЕДУПРЕЖДЕНИЕ	Указания, несоблюдение которых может привести к серьезным травмам или к смертельному исходу.
ОСТОРОЖНО	Указания, несоблюдение которых может привести к травмам средней тяжести или к легким травмам.



1.2 Другие обозначения в данной документации



Указание

Общие указания обозначены приведенным рядом с ними символом.

► Следует внимательно прочитать тексты указаний.

Символ	Значение
	Материальный ущерб (повреждение оборудования, косвенный ущерб и ущерб окружающей среде)
	Утилизация устройства

- ▶ Этот символ указывает на необходимость выполнения определенных действий. Описание необходимых действий приведено шаг за шагом.

1.3 Единицы измерения



Указание

Если не указано иное, все размеры приведены в миллиметрах.

2. Техника безопасности

2.1 Использование по назначению

Прибор напорного типа предназначен для нагрева водопроводной воды или дополнительного подогрева воды, нагретой ранее. Прибор может обеспечивать одну или несколько точек отбора.

Прибор предназначен для бытового использования. Для его безопасного обслуживания пользователю не требуется проходить инструктаж. Возможно использование прибора не только в быту, но и, например, на предприятиях малого бизнеса при условии соблюдения тех же условий эксплуатации.

Любое иное или не указанное в настоящем руководстве использование данного устройства считается использованием не по назначению. Использование по назначению подразумевает соблюдение требований настоящего руководства, а также руководств к используемым принадлежностям.

2.2 Общие указания по технике безопасности



ОСТОРОЖНО ожог

Арматура может нагреваться до температуры 60 °С. При температуре воды на выходе выше 43 °С существует опасность обваривания.



ОСТОРОЖНО ожог

В режиме эксплуатации с использованием предельно горячей воды, например, из солнечной установки, температура приготовленной горячей воды может отклоняться от заданной температуры.



ПРЕДУПРЕЖДЕНИЕ травма

Детям старше 3 лет, а также лицам с ограниченными физическими, сенсорными и умственными способностями, не имеющим опыта и не владеющим информацией о приборе, разрешено использовать прибор только под присмотром других лиц или после соответствующего инструктажа о правилах безопасного пользования и потенциальной опасности в случае несоблюдения этих правил. Не допускать шалостей детей с прибором. Дети могут выполнять чистку прибора и те виды технического обслуживания, которые обычно производятся пользователем, только под присмотром взрослых.

Если прибором пользуются дети или лица с ограниченными физическими, сенсорными и умственными способностями, рекомендуется установить режим постоянного ограничения температуры. Выполнить данную настройку может специалист.



Материальный ущерб

Пользователь должен обеспечить защиту прибора и смесителя от замерзания.

2.3 Знак технического контроля

См. заводскую табличку на приборе.

Евразийское соответствие



Данный прибор соответствует требованиям безопасности технических регламентов Евразийского Экономического Союза ТР ТС 004/2011, ТР ТС 020/2011 и прошел соответствующие процедуры подтверждения соответствия. Сертификат соответствия № ЕАЭС RU С-DE.АЯ46.В.18483/21, срок действия с 12.03.2021 г. по 11.03.2026 г. Орган по сертификации «РОСТЕСТ-Москва» АО «Региональный орган по сертификации и тестированию».

3. Описание устройства

Проточный водонагреватель с электронным управлением автоматически регулирует мощность нагрева, что позволяет обеспечить постоянную температуру воды на выходе с учетом предельной мощности прибора. При превышении предельной мощности прибора регулирование температуры воды осуществляется при помощи водоразборной арматуры.

Температура горячей воды

Бесступенчатое регулирование температуры горячей воды на выходе.

Внутреннее ограничение температуры (специалист)

По желанию клиента специалист может активировать функцию постоянного ограничения температуры.

При обеспечении водой душа специалист должен активировать соответствующее ограничение температуры.

Нагревательная система

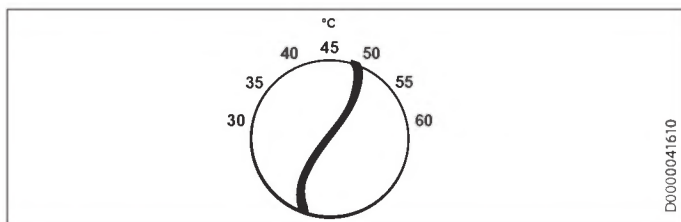
Нагревательная система с открытым нагревательным элементом защищена герметичным пластиковым корпусом. Нагревательная система пригодна для мягкой и жесткой воды, так как она практически невосприимчива к образованию накипи. Нагревательная система обеспечивает быстрое и эффективное снабжение горячей водой.



Указание

Прибор оснащен системой обнаружения воздуха, которая предотвращает повреждение системы нагрева. Если во время эксплуатации прибора в него попадает воздух, прибор отключает нагрев на одну минуту, защищая тем самым свою нагревательную систему.

4. Настройки



- ▶ Поворотный регулятор установить в нужное положение.

Если при полностью открытом смесителе и максимальной заданной температуре вода на выходе недостаточно нагрета, это значит, что через прибор проходит больше воды, чем может нагреть нагревательный элемент.

- ▶ Следует уменьшить расход на смесителе.

4.1 Рекомендации по регулированию

Проточный нагреватель обеспечивает максимально точную и максимально комфортную подготовку горячей воды. Если прибор все же используется с термостатическим смесителем, то необходимо учитывать следующие рекомендации:

- ▶ Установить ручку регулятора температуры на максимальное значение. В таком случае заданная температура устанавливается на термостатическом смесителе.

Экономия энергии

Рекомендованные настройки требуют минимальных затрат энергии:

- 38 °C для умывальника, душа, ванны
- 55 °C для кухонной мойки

Рекомендации для настроек при использовании термостатического смесителя и предварительном подогреве воды в гелиоустановке

- ▶ Установить ручку регулятора температуры на максимальное значение.

После отключения подачи воды



Материальный ущерб

Чтобы избежать повреждения нагревательной системы с открытым нагревательным элементом, в случае нарушения водоснабжения следует выполнить описанную ниже процедуру повторного ввода прибора в эксплуатацию.

- ▶ Обесточить прибор, отключив предохранители.
- ▶ Открыть вентиль смесителя на одну минуту, пока из прибора и линии подачи холодной воды не будет удален весь воздух.
- ▶ Возобновить подачу сетевого напряжения.

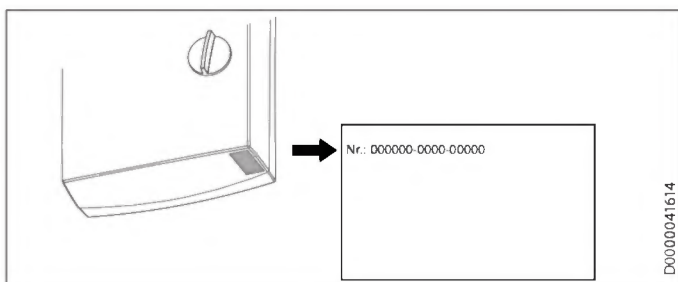
5. Чистка, уход и техническое обслуживание

- ▶ Не использовать абразивные или едкие чистящие средства. Для ухода за прибором и очистки корпуса достаточно влажной тканевой салфетки.
- ▶ Необходимо регулярно проверять смесители. Известковые отложения на изливе смесителя можно удалить с помощью имеющихся в продаже средств для удаления накипи.

6. Поиск и устранение проблем

Проблема	Причина	Способ устранения
Прибор не включается, несмотря на полностью открытый кран горячей воды.	Отсутствует напряжение.	Проверить предохранители домовой электросети.
	Слишком малый объемный расход. Загрязнение или известкование регулятора струи или душевой лейки.	Очистить регулятор струи или душевую лейку и / или удалить известковый налет.
Не осуществляется нагрев до температуры, заданной > 45 °C.	Водоснабжение отключено.	Удалить воздух из прибора и трубопровода подачи холодной воды (см. главу «Настройки»).
	Температура холодной воды на входе превышает 45 °C.	Уменьшить температуру холодной воды на подаче.

Если невозможно устранить эту неисправность самостоятельно, нужно пригласить специалиста. Чтобы специалист смог оперативно помочь, необходимо сообщить ему номер прибора с заводской таблички (000000-0000-00000):



УСТАНОВКА

7. Техника безопасности

Установка, ввод в эксплуатацию, а также техническое обслуживание и ремонт прибора должны производиться только квалифицированным специалистом.

7.1 Общие указания по технике безопасности

Безупречная работа прибора и безопасность эксплуатации гарантируются только при использовании соответствующих оригинальных принадлежностей и оригинальных запчастей.



Материальный ущерб

Необходимо учитывать максимально допустимое значение температуры подачи. При более высоких температурах подачи возможно повреждение прибора. При установке центрального термостатического смесителя максимальную температуру подаваемой воды можно ограничить.



ПРЕДУПРЕЖДЕНИЕ поражение электрическим током

В настоящем приборе имеются конденсаторы, которые разряжаются после отключения от сети электропитания. Напряжение разряда конденсатора может в ряде случаев кратковременно достигать уровня > 60 В пост. тока.

7.2 Режим душа



ОСТОРОЖНО ожог

► При подготовке воды для душа внутреннее ограничение температуры необходимо установить в положение «Tred» (см. главу «Варианты монтажа / Ограничение температуры»).



ОСТОРОЖНО ожог

При подаче в прибор предварительно нагретой воды нужно соблюдать следующее указание: Внутреннее ограничение температуры периодически может превышать.

► Ограничивать значение температуры следует с помощью предустановленного центрального термостатического смесителя.

7.3 Предписания, стандарты и положения



Указание

Необходимо соблюдать все национальные и региональные предписания и положения.

- Степень защиты IP 25 (защита от струй воды) обеспечивается только при надлежащей установке защитной втулки для кабеля.
- Удельное электрическое сопротивление воды не должно быть ниже указанного на заводской табличке! При наличии объединенной водопроводной сети следует учитывать минимальное электрическое сопротивление воды (см. главу «Технические характеристики / Рабочие диапазоны / Таблица пересчета данных»). Выяснить удельное электрическое сопротивление или электропроводность воды на предприятии водоснабжения.

8. Описание устройства

8.1 Комплект поставки

В комплект поставки прибора входят:

- Настенная монтажная планка
- Резьбовая шпилька для настенной монтажной планки
- Шаблон для монтажа
- 2 двойных ниппеля (для холодной воды, с запорным клапаном)
- Плоские уплотнения
- Кабельная втулка (подключение электропитания сверху / внизу)
- Шурупы / дюбели для настенного крепежа при открытом монтаже водопровода

Для замены прибора:

- 2 резьбовых удлинителя

9. Подготовительные мероприятия

9.1 Место монтажа



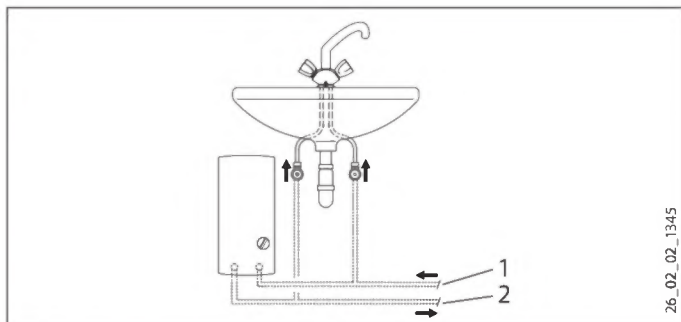
Материальный ущерб

Прибор разрешается устанавливать только в отапливаемом помещении.

- Устанавливать прибор следует вертикально, в непосредственной близости от точки отбора воды.

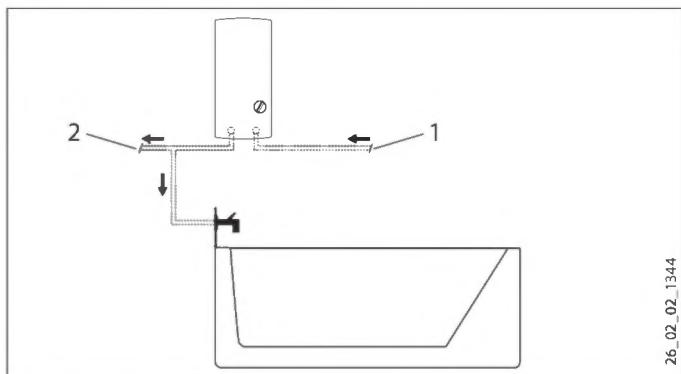
Прибор можно устанавливать под раковиной или над ней.

Монтаж под раковиной



- 1 Подвод холодной воды
2 Выпуск горячей воды

Монтаж над раковиной



- 1 Подвод холодной воды
2 Выпуск горячей воды

Указание

- ▶ Смонтировать прибор на стене. Стена должна обладать достаточной несущей способностью.

9.2 Водопроводные работы

- Установка предохранительного клапана не требуется.
- Установка предохранительных клапанов в трубопровод горячей воды недопустима.
- ▶ Тщательно промыть водопроводную систему.
- ▶ Необходимо убедиться, что объемный расход (см. главу «Технические характеристики / Таблица параметров») достаточен для включения прибора. Если объемный расход остается ниже необходимого, следует извлечь ограничитель объемного расхода (см. главу «Монтаж / демонтаж ограничителя объемного расхода»).
- ▶ Если раздаточный вентиль полностью открыт, но объемный расход остается ниже необходимого для включения прибора, следует повысить давление в водопроводной системе.

Смесители

Использовать подходящие напорные смесители. Запрещено использовать безнапорные смесители.



Указание

Для уменьшения потока запрещено использовать запорный клапан на линии подачи холодной воды! Это приводит к блокированию прибора.

Разрешенные материалы для водопроводных труб

- Линия подачи холодной воды:
труба из горячеоцинкованной стали, нержавеющей стали, меди или пластика
- Трубопровод горячей воды:
труба из нержавеющей стали, меди или пластика



Материальный ущерб

При использовании пластмассовых труб нужно учитывать максимальную температуру и максимально допустимое давление (см. главу «Технические характеристики / таблица параметров»).

Гибкие соединительные шланги для подачи воды

- ▶ При подключении прибора с помощью гибких шлангов необходимо предусмотреть защиту от проворачивания трубных колен с байонетным соединением.
- ▶ Закрепить заднюю стенку, зафиксировав ее снизу двумя дополнительными винтами.

10. Монтаж

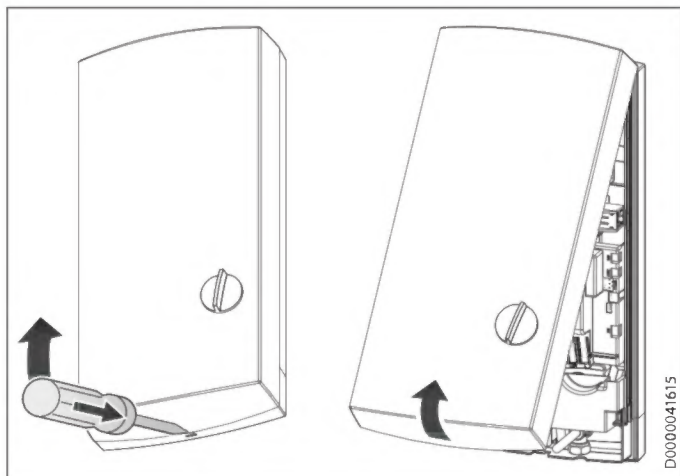
10.1 Стандартный

- Электроподключение сверху при скрытой проводке
- Подключение к водопроводу скрытой установки
- По умолчанию задана средняя присоединяемая мощность

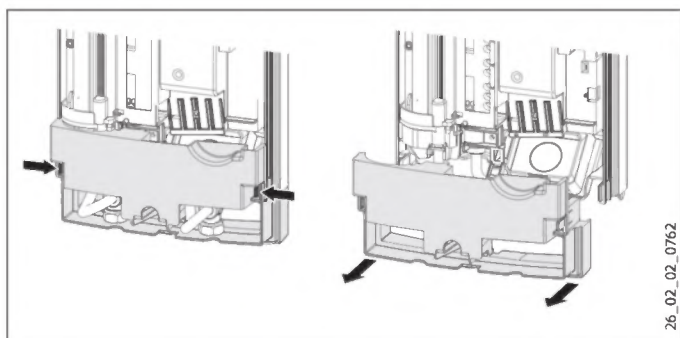
Другие способы монтажа см. главу «Варианты монтажа».

- Электроподключение снизу при скрытой проводке
- Электроподключение при открытой проводке
- Подключение реле сброса нагрузки
- Подключение к водопроводу открытого монтажа
- Подключение к водопроводу скрытого монтажа при замене прибора
- Работа с предварительно подогретой водой
- Ограничение температуры

Открытие прибора

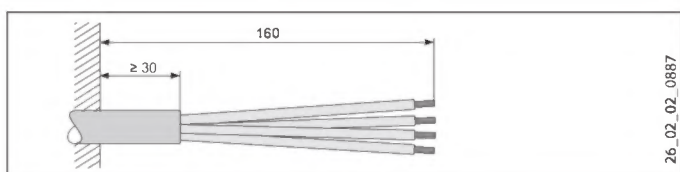


- ▶ Открыть прибор, отжав защелку фиксатора.

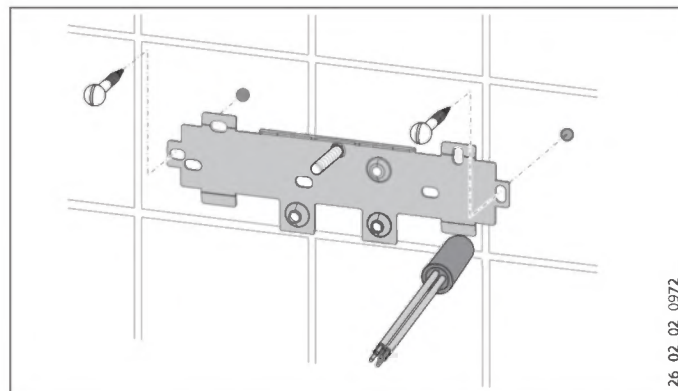


- ▶ Снять заднюю панель, для этого нажать на оба крючка-фиксатора и потянуть нижнюю часть задней панели вперед.

Подготовка кабеля питания

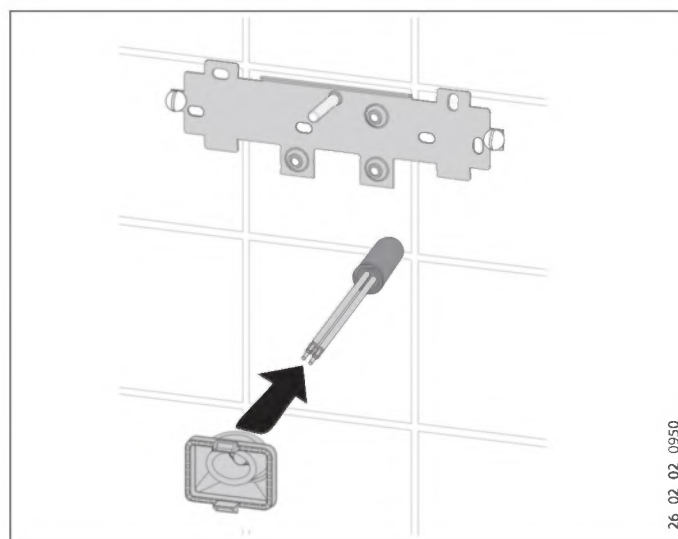


Установка настенной монтажной планки



- ▶ Разметить места сверления отверстий при помощи шаблона для монтажа. При подключении прибора к водопроводу открытого монтажа нужно дополнительно отметить крепежные отверстия в нижней части шаблона.
- ▶ Просверлить отверстия и закрепить настенную монтажную планку с помощью 2 винтов и 2 дюбелей (винты и дюбели не входят в комплект поставки).
- ▶ Установить прилагаемую резьбовую шпильку.
- ▶ Установить настенную монтажную планку.

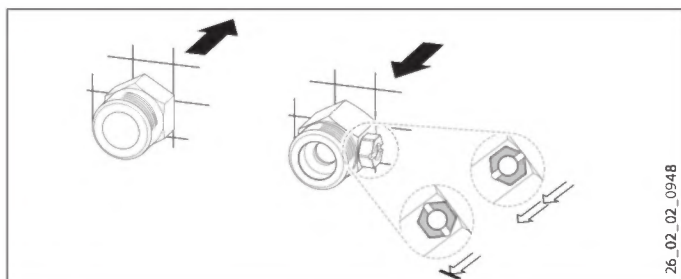
Монтаж кабельной втулки



- ▶ Смонтировать кабельную втулку. Если поперечное сечение кабеля превышает 6 мм^2 , отверстие в кабельной втулке необходимо расширить.

Подключение прибора к системе водоснабжения

- !** **Материальный ущерб**
Все работы по подключению воды и установке прибора необходимо производить в соответствии с инструкцией.



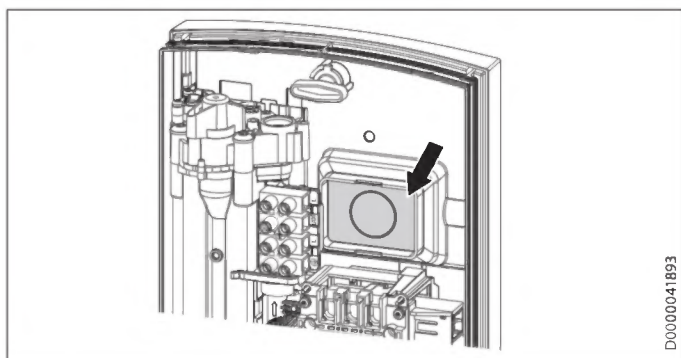
26_02_02_0948

- ▶ Поставить прокладку и ввинтить двойной ниппель.

- !** **Материальный ущерб**
Для уменьшения потока запрещено использовать запорный клапан на линии подачи холодной воды!

Подготовка задней стенки

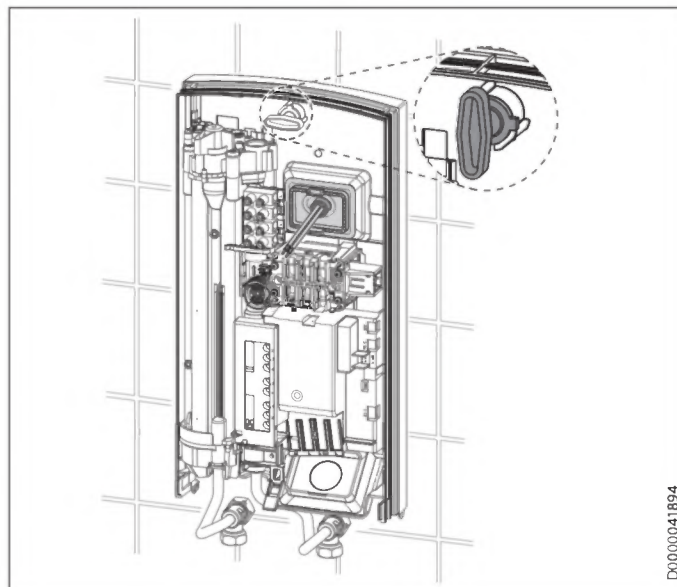
- !** **Материальный ущерб**
Если по ошибке было выломано не то отверстие для кабельной втулки, необходимо использовать новую заднюю стенку.



D0000041893

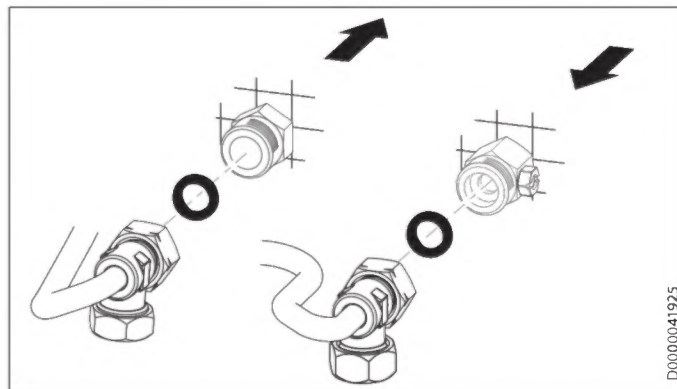
- ▶ Выломать в заданной точке на задней стенке отверстие для кабельной втулки. При наличии острых кромок их необходимо чисто обработать напильником.

Монтаж прибора



D0000041894

- ▶ Надеть заднюю стенку на шпильку и кабельную втулку. Подтянуть плоскогубцами кабельную втулку к фиксатору на задней стенке так, чтобы оба фиксатора защелкнулись со слышимым щелчком.
- ▶ Удалить защитные заглушки из патрубков для подключения воды.
- ▶ Плотно прижать заднюю панель к стене, зафиксировать панель с помощью крепежного воротка путем правого вращения на 90°.



D0000041925

- ▶ Прикрутить трубы с плоскими уплотнителями к двойным ниппелям.

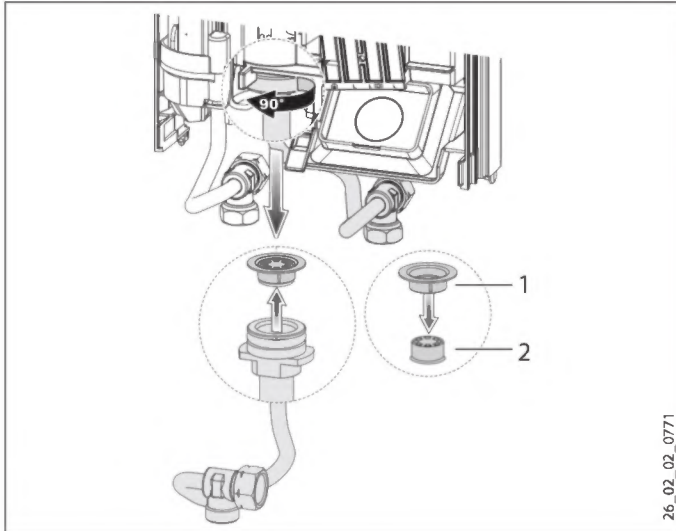
- !** **Материальный ущерб**
Для работы прибора необходима установка сетчатого фильтра.
- ▶ При замене прибора проверить наличие сетчатого фильтра (см. главу «Техническое обслуживание»).

Снятие ограничителя объемного расхода



Материальный ущерб

При использовании термостатического смесителя демонтаж ограничителя объемного расхода запрещен.



- 1 Профильная пластиковая шайба
- 2 Ограничитель расхода

- ▶ Извлечь ограничитель объемного расхода и снова установить профильную пластиковую шайбу.

Подключение к сети электропитания



ПРЕДУПРЕЖДЕНИЕ поражение электрическим током

Все работы по электрическому подключению и установке необходимо производить в соответствии с инструкцией.



ПРЕДУПРЕЖДЕНИЕ поражение электрическим током

Подключение к электросети допустимо только в неразъемном исполнении и при наличии съемной кабельной втулки. Прибор должен отключаться от сети с размыканием всех контактов на всех полюсах и изолированием на расстоянии не менее 3 мм.



ПРЕДУПРЕЖДЕНИЕ поражение электрическим током

Проверить подключение прибора к защитному проводу.



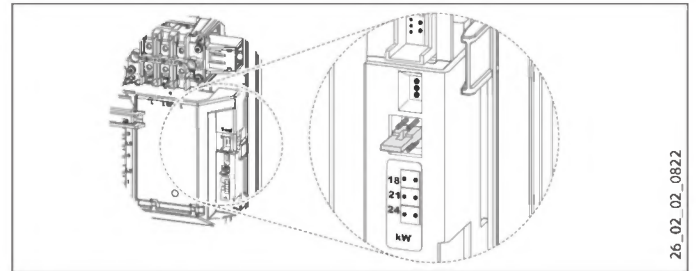
Материальный ущерб

Следует соблюдать данные на заводской табличке. Напряжение сети должно совпадать с указанным на табличке.

- ▶ Подключить кабель питания к соединительной клемме сети (см. главу «Технические характеристики / Электрическая схема»).

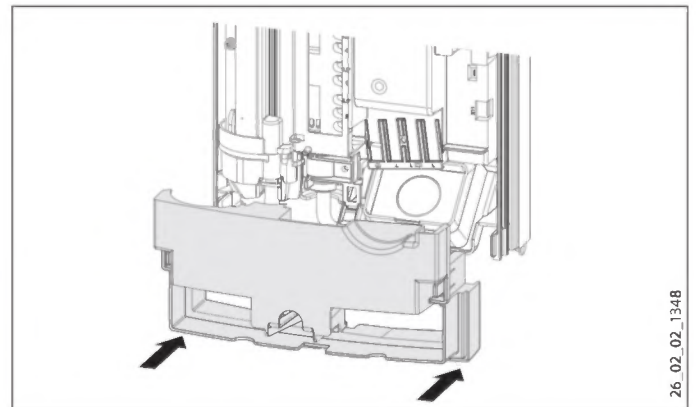
Переключение штекера кодировки

На момент поставки штекер кодировки установлен в положение 21 кВт. Для переключения на другую потребляемую мощность необходимо выполнить следующие действия:



- ▶ Переместить штекер кодировки в положение, соответствующее выбранной мощности (сведения о выборе мощности и предохранителях прибора см. в главе «Технические характеристики / Таблица параметров»).
- ▶ Выбранную мощность отметить на заводской табличке крестиком. Для этого использовать шариковую ручку.

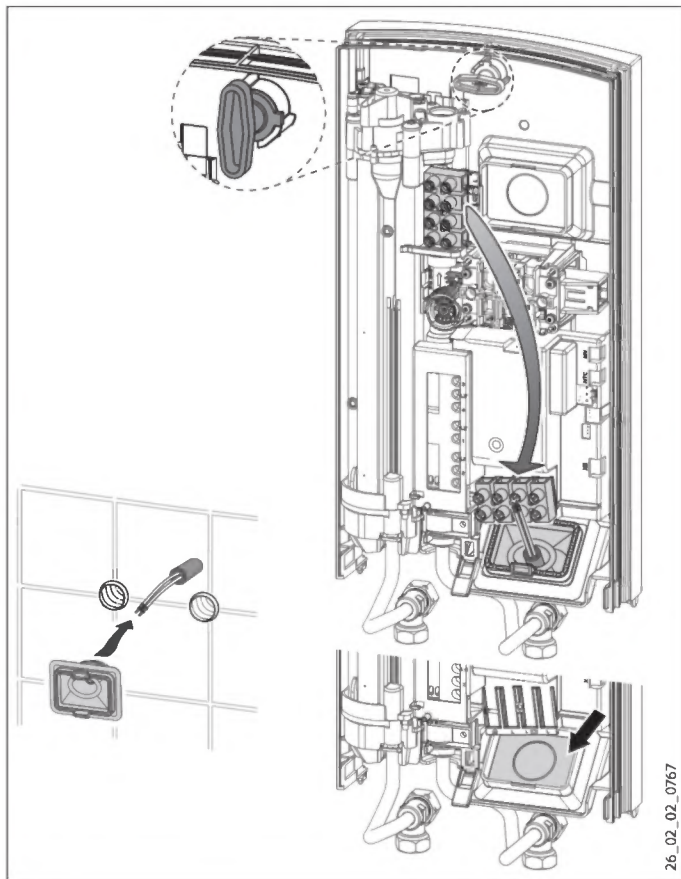
Монтаж нижней части задней стенки



- ▶ Установить нижнюю часть задней панели и защелкнуть ее в задней панели.
- ▶ Выровнять установленный прибор, ослабив крепежный вороток, поправить электрический кабель и заднюю стенку, после чего вновь затянуть крепежный вороток. Если задняя панель не прилегает к стене, то нижнюю часть прибора можно закрепить двумя дополнительными шурупами.

10.2 Варианты монтажа

10.2.1 Электроподключение снизу при скрытой проводке



- ▶ Смонтировать кабельную втулку.



Материальный ущерб

Если по ошибке было выломано не то отверстие для кабельной втулки, необходимо использовать новую заднюю стенку.

- ▶ Выломать в заданной точке на задней стенке отверстие для кабельной втулки. При наличии острых кромок их необходимо чисто обработать напильником.
- ▶ Переместить клемму подключения к электросети с верхней части прибора вниз.
- ▶ Надеть заднюю стенку на шпильку и кабельную втулку. Подтянуть плоскогубцами кабельную втулку к фиксатору на задней стенке так, чтобы оба фиксатора защелкнулись со слышимым щелчком.
- ▶ Плотно прижать заднюю панель к стене, зафиксировать панель с помощью крепежного воротка путем правого вращения на 90°.

10.2.2 Электроподключение при открытой проводке



Указание

При таком способе подключения изменится степень защиты прибора.

- ▶ Изменить данные на заводской табличке. Зачеркнуть маркировку «IP 25» и пометить крестиком ячейку «IP 24». Для этого использовать шариковую ручку.



Материальный ущерб

Если по ошибке было выломано не то отверстие для кабельной втулки, необходимо использовать новую заднюю стенку.

- ▶ На задней стенке прибора чисто выполнить необходимые проходные отверстия (их расположение см. главу «Технические характеристики / Размеры и соединения»). При наличии острых кромок их необходимо чисто обработать напильником.
- ▶ Пропустить кабель электропитания через кабельную втулку и подключить его к соединительной клемме сети.

10.2.3 Подключение реле сброса нагрузки

Реле сброса нагрузки в электrorаспределительном устройстве следует использовать совместно с другими электроприборами, например, с электрическими накопительными водонагревателями. Сброс нагрузки осуществляется при работе проточного водонагревателя.



Материальный ущерб

Подключить фазу, на которую установлено реле сброса нагрузки, к помеченной соединительной клемме сети в приборе (см. главу «Технические характеристики / Электрические схемы и соединения»).

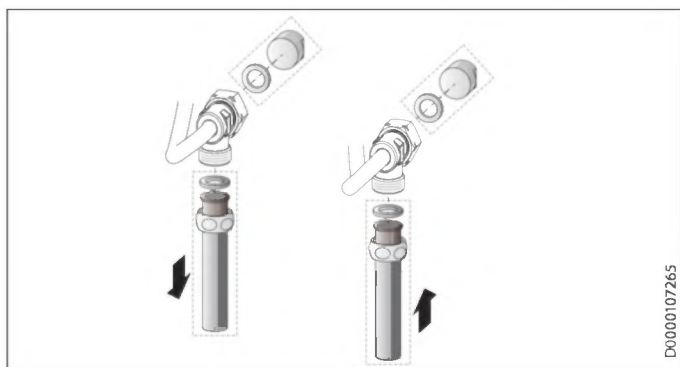
10.2.4 Подключение к водопроводу открытого монтажа



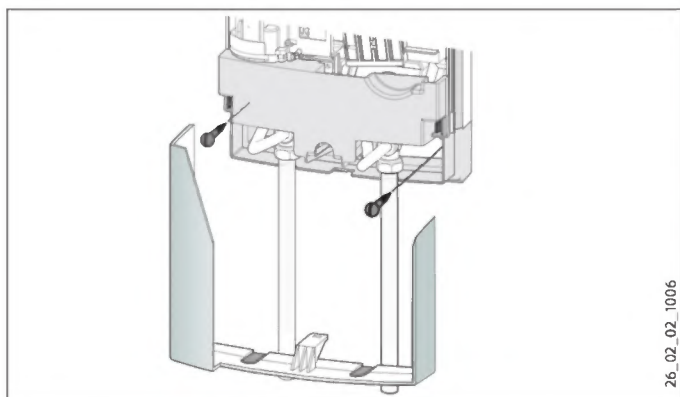
Указание

При таком способе подключения изменится степень защиты прибора.

- ▶ Изменить данные на заводской табличке. Зачеркнуть маркировку «IP 25» и пометить крестиком ячейку «IP 24». Для этого использовать шариковую ручку.



- ▶ На трубопровод скрытого монтажа установить заглушку с уплотнениями.
- ▶ Выполнить монтаж соответствующего напорного смесителя.



- ▶ Закрепить заднюю стенку, зафиксировав ее снизу двумя дополнительными винтами.
- ▶ Установить нижнюю часть задней панели под трубы арматуры и зафиксировать ее в задней панели.
- ▶ Соединить трубы с прибором.



Материальный ущерб

Если по ошибке было сделано не то отверстие в крышке прибора, необходимо использовать новую крышку прибора.

- ▶ Аккуратно выломать проходные отверстия в крышке прибора. При наличии острых кромок их необходимо чисто обработать напильником.

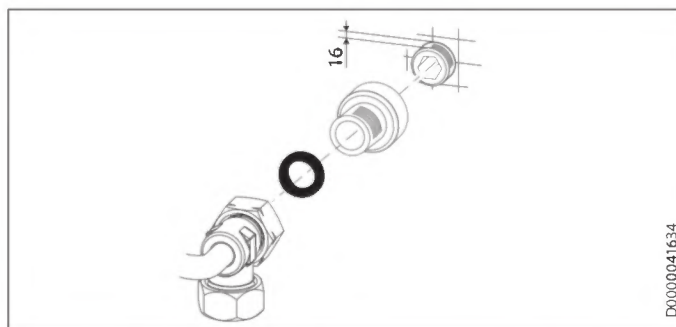
10.2.5 Подключение к водопроводу скрытого монтажа при замене прибора

Если имеющиеся двойные ниппели старого прибора выступают из стены всего примерно на 16 мм, использовать входящие в комплект поставки двойные ниппели нельзя.



Указание

При таком подключении перекрыть подачу холодной воды можно только на уровне домовой водопроводной сети.



- ▶ Обеспечить уплотнение и вернуть входящие в комплект поставки резьбовые удлинители.
- ▶ Подключить прибор.

10.2.6 Работа с предварительно подогретой водой

При установке центрального термостатического смесителя максимальная температура подаваемой воды ограничивается.

10.2.7 Ограничение температуры

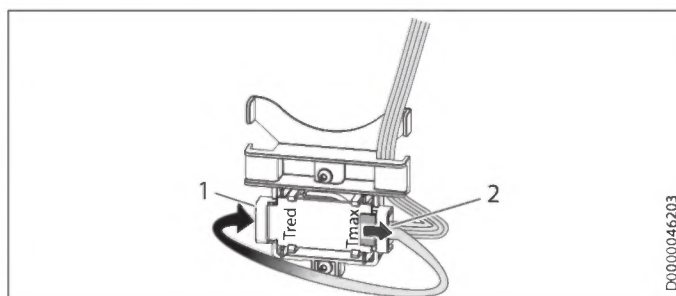


ОСТОРОЖНО ожог

В режиме эксплуатации с использованием предварительно подогретой воды заданное ограничение температуры может не действовать.

- ▶ В этом случае ограничение задается на предустановленном центральном термостатическом смесителе.

Ограничение температуры можно задавать с внутренней стороны крышки прибора.



- 1 Положение «Tred» (55 °C): Ограничение температуры
- 2 Положение «Tmax»: без ограничения температуры, диапазон настройки температуры см. в главе «Технические характеристики / Таблица параметров».

10.3 Завершение монтажа

- ▶ Открыть запорный вентиль в двойном ниппеле или в трубопроводе подачи холодной воды.

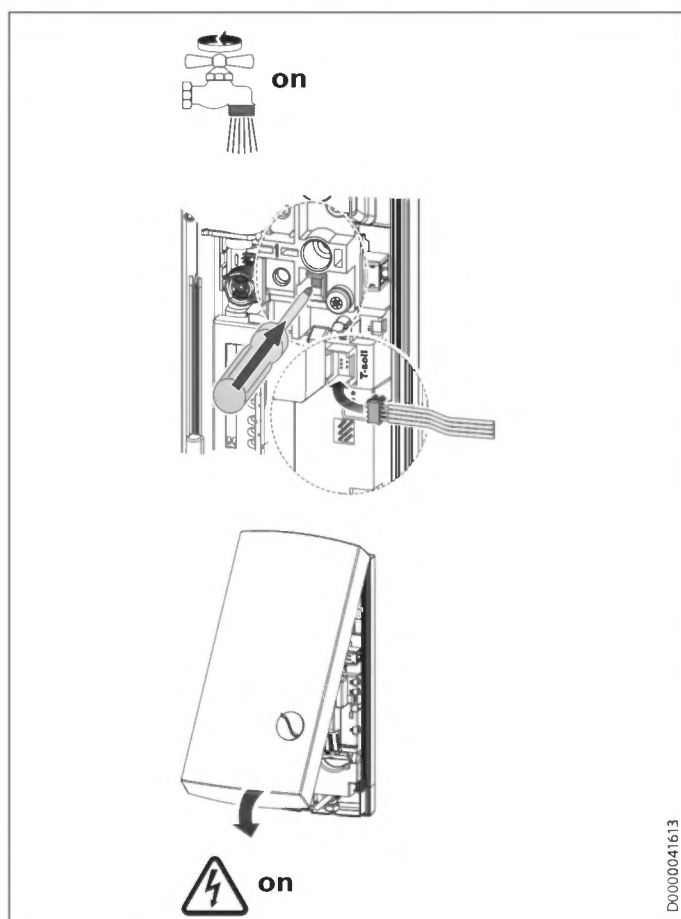
11. Ввод в эксплуатацию



ПРЕДУПРЕЖДЕНИЕ поражение электрическим током

Ввод прибора в эксплуатацию может осуществляться только специалистом при условии соблюдения правил техники безопасности.

11.1 Первый ввод в эксплуатацию



- ▶ Многократно открывать и закрывать все подключенные раздаточные краны до тех пор, пока из водопроводной сети и прибора не выйдет весь воздух.
- ▶ Выполнить проверку герметичности.
- ▶ Активировать предохранительный ограничитель давления, сильно нажав кнопку сброса (на момент поставки прибора функция предохранительного ограничителя давления деактивирована).
- ▶ Подключить штекер регулятора температуры к блоку электроники.
- ▶ Установить крышку прибора и зафиксировать до слышимого щелчка. Проверить положение крышки прибора.
- ▶ Подать сетевое напряжение.
- ▶ Проверить работу прибора.

Передача устройства

- ▶ Объяснить пользователю принцип работы устройства и ознакомить его с правилами использования устройства.
- ▶ Указать пользователю на возможные опасности, особенно на опасность обваривания.
- ▶ Передать данное руководство.

11.2 Повторный ввод в эксплуатацию

Удалить воздух из прибора и трубопровода подачи холодной воды (см. главу «Настройки»).

См. главу «Первый ввод в эксплуатацию».

12. Вывод из эксплуатации

- ▶ Полностью обесточить прибор с размыканием контактов на всех полюсах.
- ▶ Опорожнить прибор, см. главу «Техническое обслуживание».

13. Поиск и устранение неисправностей

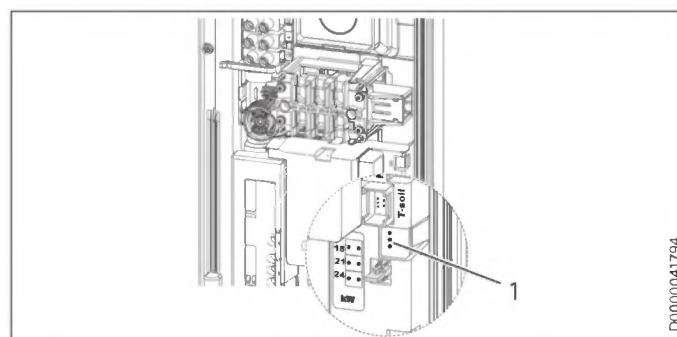


ПРЕДУПРЕЖДЕНИЕ поражение электрическим током

Для проверки прибора он должен находиться под напряжением.

Индикация диагностического светодиодного индикатора (LED)

● (красный)	горит при неисправности
● (желтый)	горит в режиме нагрева
○ (зеленый)	мигает: прибор подключен к сети



1 Диагностический светодиодный индикатор

Неисправность / индикация светодиодного диагностического светодиода	Причина	Способ устранения
Очень слабый поток воды.	Загрязнен сетчатый фильтр в приборе.	Очистить сетчатый фильтр.
Не достигнута заданная температура.	Отсутствует одна фаза.	Проверить предохранители электрической сети в здании.
Нагрев не включается.	Прибор обнаружил в воде воздух и на непродолжительное время прекратил нагрев.	Прибор восстановит работу через одну минуту.
Отсутствует горячая вода, не работает диагностический светодиодный индикатор.	Сработал предохранитель.	Проверить предохранители электрической сети в здании.
	Отключился предохранительный ограничитель давления AP 3.	Устранить причину неисправности (например, неисправный сливной кран). Открыть кран отбора горячей воды на одну минуту для защиты нагревательной системы от перегрева. Это позволит снять нагрузку с нагревательной системы и обеспечит ее охлаждение. Активировать предохранительный ограничитель давления при наличии гидравлического давления, для этого следует нажать кнопку сброса (см. главу «Первый ввод в эксплуатацию»).
	Неисправен электронный блок.	Проверить электронный блок, при необходимости заменить.
Диагностический светодиодный индикатор: зеленый мигает или горит постоянно	Неисправен электронный блок.	Проверить электронный блок, при необходимости заменить.
Отсутствует горячая вода при расходе > 3 л/мин.	Не подключена система распознавания потока DFE.	Подключить штекер системы распознавания потока.
	Неисправна система распознавания потока DFE.	Проверить датчик распознавания потока и при необходимости заменить его.
Диагностический светодиодный индикатор: желтый горит постоянно, зеленый мигает	Сработал предохранительный ограничитель температуры, обрыв в его линии.	Проверить предохранительный ограничитель температуры, при необходимости заменить.
Отсутствует горячая вода при наличии расхода > 3 л/мин.	Неисправна нагревательная система.	Измерить сопротивление в нагревательной системе, при необходимости заменить сопротивление.
	Неисправен электронный блок.	Проверить электронный блок, при необходимости заменить.
Диагностический светодиодный индикатор: постоянно горит желтый, мигает зеленый	Выходной датчик отключен, или произошел обрыв в его линии.	Подключить штекер выходного датчика, при необходимости заменить датчик.

Неисправность / индикация светодиодного диагностического светодиода	Причина	Способ устранения
Диагностический светодиодный индикатор: постоянно горит красный, мигает зеленый	Неисправен датчик холодной воды.	Проверить электронный блок, при необходимости заменить.
Отсутствует горячая вода Вода не нагревается до заданной температуры > 45 °С.	Температура холодной воды на подаче превышает 45 °С.	Уменьшить температуру холодной воды на подаче.
Диагностический светодиодный индикатор: постоянно горит красный, мигает зеленый	Поврежден выходной датчик (короткое замыкание).	Проверить выходной датчик, при необходимости заменить.

14. Техническое обслуживание



ПРЕДУПРЕЖДЕНИЕ поражение электрическим током

При любых работах необходимо полное отключение прибора от сети.

Опорожнение прибора

Для проведения работ по техническому обслуживанию воду из прибора можно слить.

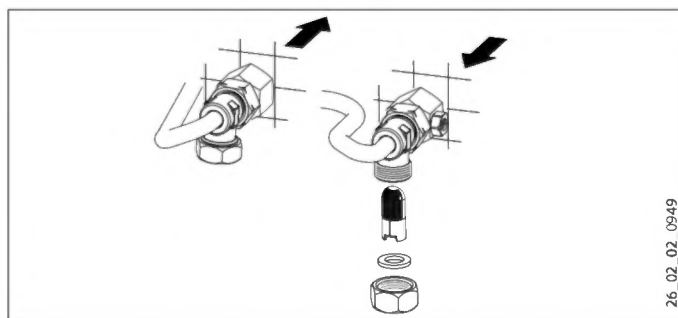


ПРЕДУПРЕЖДЕНИЕ ожог

При опорожнении прибора может вытекать горячая вода.

- ▶ Закрыть запорный вентиль в двойном ниппеле или в трубопроводе подачи холодной воды.
- ▶ Открыть все раздаточные вентили.
- ▶ Отсоединить трубопроводы подачи воды от прибора.
- ▶ Хранить демонтированный прибор в отапливаемом помещении, поскольку в приборе всегда находятся остатки воды, которые могут замерзнуть и повредить его.

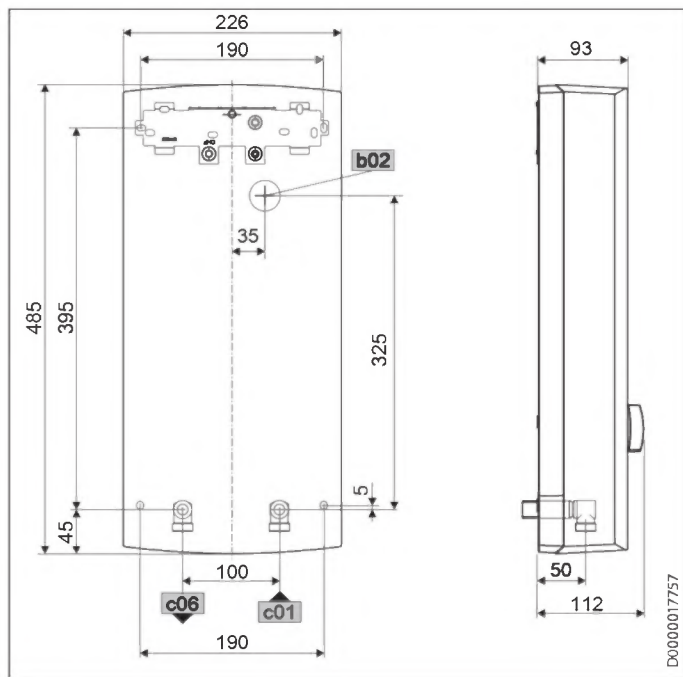
Чистка сетчатого фильтра



Очистить сетчатый фильтр в резьбовом соединении трубопровода холодной воды. Закрыть запорный вентиль в трубопроводе подачи холодной воды, демонтировать сетчатый фильтр, очистить его и установить снова.

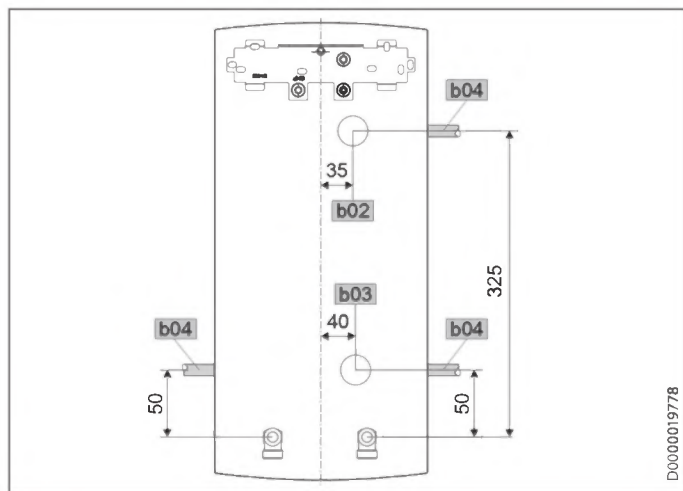
15. Технические характеристики

15.1 Размеры и подключения



b02	Кабельный ввод для электропроводки I		
c01	Подвод холодной воды	Наружная резьба	G 1/2 A
c06	Выпуск горячей воды	Наружная резьба	G 1/2 A

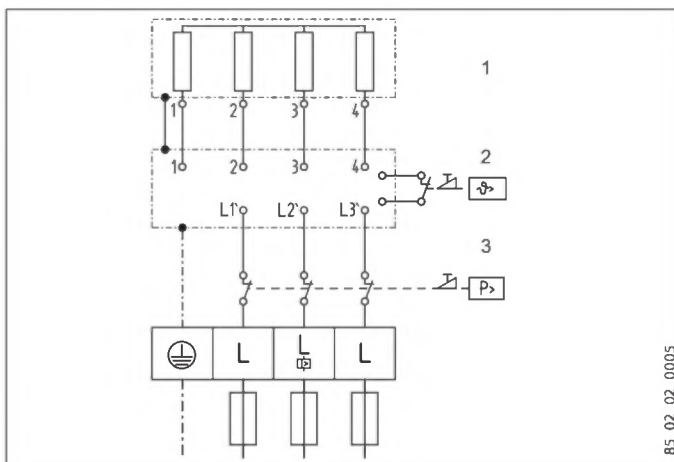
Варианты подключения



b02	Ввод кабеля электропитания I		
b03	Ввод кабеля электропитания II		
b04	Ввод кабеля электропитания III		

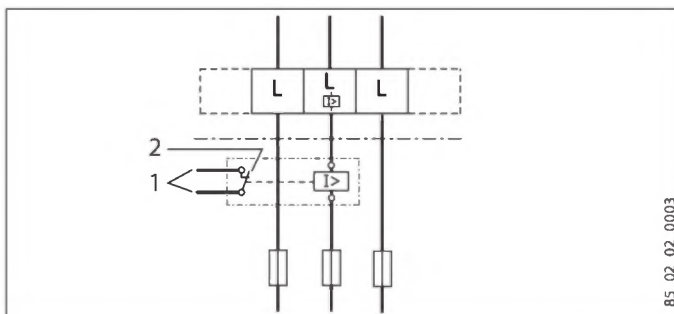
15.2 Электрическая схема

3/PE ~ 380-415 В



- 1 Нагрев
- 2 Предохранительный ограничитель температуры
- 3 Предохранительный ограничитель давления

Приоритетная схема с LR 1-A



- 1 Линия цепи управления к контактору 2-го прибора (например, электрическому накопительному водонагревателю).
- 2 Управляющий контакт размыкается при включении проточного водонагревателя.

15.3 Производительность по горячей воде

Производительность по горячей воде зависит от напряжения в сети, потребляемой мощности прибора и температуры холодной воды. Сведения о номинальном напряжении и номинальной мощности указаны на заводской табличке (см. главу «Устранение неисправностей»).

Потребляемая мощность, кВт			Производительность по горячей воде (38 °С), л/мин.			
Номинальное напряжение			Температура холодной воды на подаче			
380 В	400 В	415 В	5 °С	10 °С	15 °С	20 °С
16,2			7,0	8,3	10,1	12,9
19			8,2	9,7	11,8	15,1
21,7			9,4	11,1	13,5	17,2
	18		7,8	9,2	11,2	14,3
	21		9,1	10,7	13,0	16,7
	24		10,4	12,2	14,9	19,0
		19,4	8,4	9,9	12,0	15,4
		22,6	9,8	11,5	14,0	17,9
		25,8	11,2	13,2	16,0	20,5

Потребляемая мощность, кВт			Производительность по горячей воде (50 °С), л/мин.			
Номинальное напряжение			Температура холодной воды на подаче			
380 В	400 В	415 В	5 °С	10 °С	15 °С	20 °С
16,2			5,1	5,8	6,6	7,7
19			6,0	6,8	7,8	9,0
21,7			6,9	7,8	8,9	10,3
	18		5,7	6,4	7,3	8,6
	21		6,7	7,5	8,6	10,0
	24		7,6	8,6	9,8	11,4
		19,4	6,2	6,9	7,9	9,2
		22,6	7,2	8,1	9,2	10,8
		25,8	8,2	9,2	10,5	12,3

15.4 Рабочие диапазоны / Таблица пересчета данных

Удельное электрическое сопротивление и удельная электропроводность (см. главу «Таблица параметров»).

Стандартные данные при 15 °С			20 °С			25 °С		
Сопротивление $\rho \geq$			Сопротивление $\rho \geq$			Сопротивление $\rho \geq$		
Ом·см	мСм/м	мкСм/см	Ом·см	мСм/м	мкСм/см	Ом·см	мСм/м	мкСм/см
900	111	1111	800	125	1250	735	136	1361
1000	100	1000	890	112	1124	815	123	1227
1200	83	833	1070	93	935	985	102	1015
1300	77	769	1175	85	851	1072	93	933

15.5 Потери давления

Смесители

Потеря давления на смесителях при объемном расходе 10 л/мин		
Однорычажный смеситель, прикл.	МПа	0,04 - 0,08
Термостатический смеситель, прикл.	МПа	0,03 - 0,05
Ручной душ, прикл.	МПа	0,03 - 0,15

Расчет параметров трубопроводной сети

При расчете параметров трубопроводной сети для прибора рекомендуется задать потерю давления 0,1 МПа.

15.6 Возможные неисправности

При неисправности в трубопроводной системе могут возникать кратковременные пиковые нагрузки с повышением температуры до 95 °С и давления до 1,2 МПа.

15.7 Характеристики энергопотребления

Технические характеристики изделия: Стандартный водонагреватель (в соответствии с регламентом ЕС № 812/2013 | 814/2013)

		PEY 18/21/24
		233993
Производитель		STIEBEL ELTRON
Профиль нагрузки		S
Класс энергоэффективности		A
Энергетический КПД	%	39
Годовое потребление электроэнергии	кВт*ч	477
Заданная на заводе температура	°С	60
Уровень звуковой мощности	дБ(A)	15
Особые указания по измерению эффективности		Данные при Pmax.
Суточное потребление электроэнергии	кВт*ч	2,198

15.8 Таблица параметров

		PEY 18/21/24 233993		
Электрические характеристики				
Номинальное напряжение	В	380	400	415
Номинальная мощность	кВт	16,2/19/21,7	18/21/24	19,4/22,6/25,8
Номинальный ток	А	27,6/29,5/33,3	29/31/35	30,1/32,2/36,3
Предохранитель	А	32/32/35	32/32/35	32/32/40
Частота	Гц	50/60	50/60	50/-
Фазы				3/PE
Удельное сопротивление $\rho_{15} \geq$ (при $\vartheta_{хол.} \leq 25^\circ\text{C}$)	Ом см	900	900	1000
Удельная электропроводность $\sigma_{15} \leq$ (при $\vartheta_{хол.} \leq 25^\circ\text{C}$)	мкСм/см	1111	1111	1000
Удельное сопротивление $\rho_{15} \geq$ (при $\vartheta_{хол.} \leq 45^\circ\text{C}$)	Ом см	1200	1200	1300
Удельная электропроводность $\sigma_{15} \leq$ (при $\vartheta_{хол.} \leq 45^\circ\text{C}$)	мкСм/см	833	833	770
Макс. полное сопротивление сети при 50 Гц	Ом	0,284	0,270	0,260
Модификации				
Генератор тепла системы отопления		Открытый нагревательный элемент		
Изолирующий блок		Пластмасса		
Выбор мощности подключения		X		
Регулировка температуры	°C	ок. 30-60		
Крышка и задняя панель		Пластмасса		
Степень защиты (IP)		IP25		
Цвет		белый		
Соединения				
Подключение к водопроводу		G 1/2 A		
Пределы рабочего диапазона				
Макс. допустимое давление	МПа	1		
Макс. значение температуры подачи для догрева	°C	45		
Параметры				
Макс. допустимая температура подачи	°C	60		
Вкл	л/мин	> 3		
Объемный расход при потере давления	л/мин	5,2/6,0/6,9		
Потеря давления при объемном расходе	МПа	0,08/0,10/0,13 (0,06/0,08/0,10 без DMБ)		
Ограничение объемного расхода	л/мин	8,0		
Мощность по горячей воде	л/мин	9,4/11,0/12,6		
$\Delta\vartheta$ при подаче	К	26		
Гидравлические характеристики				
Номинальная емкость	л	0,4		
Размеры				
Высота	ММ	485		
Ширина	ММ	226		
Глубина	ММ	93		
Вес				
Вес	кг	3,6		

Серийный номер на шильдике прибора содержит дату изготовления прибора.

Серийный номер имеет следующую структуру: 6-значный артикул прибора - 4-значная дата производства- 6-значный порядковый номер.

4-значная дата производства расшифровывается так:

- Первые две цифры плюс 25 - это год изготовления прибора (2 цифры), то есть 94+25 -> для 2019, 93+25 -> для 2018 и так далее;
- Последние две цифры минус 25 -это календарная неделя изготовления прибора.

Например, 4-значная дата производства 9440 соответствует 15 неделе в 2019 году.

Изготовитель:

«Штибель Эльтрон ГмБХ & Ко. КГ»
 Адрес: Др. -Штибель-Штрассе 33,
 37603, Хольцминден, Германия
 Тел. 05531 702-0 | Факс 05531 702-480
 info@stiebel-eltron.de
 www.stiebel-eltron.de

Сделано в Германии

Импортер в РФ:

ООО «Штибель Эльтрон»
 Адрес: ул. Уржумская, д.4, стр. 2
 129343, г. Москва, Россия
 Тел. +7 495 125 0 125 | Факс: +7 495 775 38 87
 info@stiebel-eltron.ru
 www.stiebel-eltron.ru



Указание

Прибор соответствует требованиям стандарта IEC 61000-3-12.

Гарантия

Приборы, приобретенные за пределами Германии, не подпадают под условия гарантии немецких компаний. К тому же в странах, где продажу нашей продукции осуществляет одна из наших дочерних компаний, гарантия предоставляется исключительно этой дочерней компанией. Такая гарантия предоставляется только в случае, если дочерней компанией изданы собственные условия гарантии. За пределами этих условий никакая гарантия не предоставляется.

На приборы, приобретенные в странах, где ни одна из наших дочерних компаний не осуществляет продажу нашей продукции, никакие гарантии не распространяются. Это не затрагивает гарантий, которые могут предоставляться импортером.

Защита окружающей среды и утилизация

Внесите свой вклад в охрану окружающей среды. Утилизацию использованных материалов следует производить в соответствии с национальными нормами.

ДЛЯ ЗАМЕТОК

ДЛЯ ЗАМЕТОК

Deutschland

STIEBEL ELTRON GmbH & Co. KG
Dr.-Stiebel-Straße 33 | 37603 Holzminden
Tel. 05531 702-0 | Fax 05531 702-480
info@stiebel-eltron.de
www.stiebel-eltron.de

Verkauf

Tel. 05531 702-110 | Fax 05531 702-95108 | info-center@stiebel-eltron.de

Kundendienst

Tel. 05531 702-111 | Fax 05531 702-95890 | kundendienst@stiebel-eltron.de

Ersatzteilverkauf

www.stiebel-eltron.de/ersatzteile | ersatzteile@stiebel-eltron.de

Australia

STIEBEL ELTRON Australia Pty. Ltd.
294 Salmon Street | Port Melbourne VIC 3207
Tel. 03 9645-1833 | Fax 03 9644-5091
info@stiebel-eltron.com.au
www.stiebel-eltron.com.au

Austria

STIEBEL ELTRON Ges.m.b.H.
Gewerbegebiet Neubau-Nord
Margaritenstraße 4 A | 4063 Hörsching
Tel. 07221 74600-0 | Fax 07221 74600-42
info@stiebel-eltron.at
www.stiebel-eltron.at

Belgium

STIEBEL ELTRON bvba/sprl
't Hofveld 6 - D1 | 1702 Groot-Bijgaarden
Tel. 02 42322-22 | Fax 02 42322-12
info@stiebel-eltron.be
www.stiebel-eltron.be

China

STIEBEL ELTRON (Tianjin) Electric Appliance
Co., Ltd.
Plant C3, XEDA International Industry City
Xi'qing Economic Development Area
300385 Tianjin
Tel. 022 8396 2077 | Fax 022 8396 2075
info@stiebel-eltron.cn
www.stiebel-eltron.cn

Czech Republic

STIEBEL ELTRON spol. s r.o.
Dopraváků 749/3 | 184 00 Praha 8
Tel. 251116-111 | Fax 235512-122
info@stiebel-eltron.cz
www.stiebel-eltron.cz

Finland

STIEBEL ELTRON OY
Kapinakuja 1 | 04600 Mäntsälä
Tel. 020 720-9988
info@stiebel-eltron.fi
www.stiebel-eltron.fi

France

STIEBEL ELTRON SAS
7-9, rue des Selliers
B.P 85107 | 57073 Metz-Cédex 3
Tel. 0387 7438-88 | Fax 0387 7468-26
info@stiebel-eltron.fr
www.stiebel-eltron.fr

Hungary

STIEBEL ELTRON Kft.
Gyár u. 2 | 2040 Budaörs
Tel. 01 250-6055 | Fax 01 368-8097
info@stiebel-eltron.hu
www.stiebel-eltron.hu

Japan

NIHON STIEBEL Co. Ltd.
Kowa Kawasaki Nishiguchi Building 8F
66-2 Horikawa-Cho
Saiwai-Ku | 212-0013 Kawasaki
Tel. 044 540-3200 | Fax 044 540-3210
info@nihonstiebel.co.jp
www.nihonstiebel.co.jp

Netherlands

STIEBEL ELTRON Nederland B.V.
Daviottenweg 36 | 5222 BH 's-Hertogenbosch
Tel. 073 623-0000 | Fax 073 623-1141
info@stiebel-eltron.nl
www.stiebel-eltron.nl

New Zealand

Stiebel Eltron NZ Limited
61 Barrys Point Road | Auckland 0622
Tel. +64 9486 2221
info@stiebel-eltron.co.nz
www.stiebel-eltron.co.nz

Poland

STIEBEL ELTRON Polska Sp. z O.O.
ul. Działkowa 2 | 02-234 Warszawa
Tel. 022 60920-30 | Fax 022 60920-29
biuro@stiebel-eltron.pl
www.stiebel-eltron.pl

Russia

STIEBEL ELTRON LLC RUSSIA
Urzhumskaya street 4,
building 2 | 129343 Moscow
Tel. +7 495 125 0 125
info@stiebel-eltron.ru
www.stiebel-eltron.ru

Slovakia

STIEBEL ELTRON Slovakia, s.r.o.
Hlavná 1 | 058 01 Poprad
Tel. 052 7127-125 | Fax 052 7127-148
info@stiebel-eltron.sk
www.stiebel-eltron.sk

South Africa

STIEBEL ELTRON Southern Africa (PTY) Ltd
30 Archimedes Road
Wendywood
Johannesburg, 2090
Tel. +27 10 001 85 47
info@stiebel-eltron.co.za
www.stiebel-eltron.co.za

Switzerland

STIEBEL ELTRON AG
Industrie West
Gass 8 | 5242 Lupfig
Tel. 056 4640-500 | Fax 056 4640-501
info@stiebel-eltron.ch
www.stiebel-eltron.ch

Thailand

STIEBEL ELTRON Asia Ltd.
469 Moo 2 Tambol Klong-Jik
Amphur Bangpa-In | 13160 Ayutthaya
Tel. 035 220088 | Fax 035 221185-88
th-info@stiebel-eltron.com
www.stiebel-eltron.co.th

United Kingdom and Ireland

STIEBEL ELTRON UK Ltd.
Unit 12 Stadium Court
Stadium Road | CH62 3RP Bromborough
Tel. 0151 346-2300 | Fax 0151 334-2913
info@stiebel-eltron.co.uk
www.stiebel-eltron.co.uk

United States of America

STIEBEL ELTRON, Inc.
17 West Street | 01088 West Hatfield MA
Tel. 0413 247-3380 | Fax 0413 247-3369
info@stiebel-eltron-usa.com
www.stiebel-eltron-usa.com

STIEBEL ELTRON



Irrtum und technische Änderungen vorbehalten! | Subject to errors and technical changes! | Sous réserve d'erreurs et de modifications techniques! | Onder voorbehoud van vergissingen en technische wijzigingen! | Salvo error o modificación técnica! | Excepto erro ou alteração técnica | Zastrzeżone zmiany techniczne i ewentualne błędy | Omyly a technické změny jsou vyhrazeny! | A muszaki változtatások és tévedések jogát fenntartjuk! | Отсутствие ошибок не гарантируется. Возможны технические изменения. | Chyby a technické zmeny sú vyhradené! | Stand 9835

Ovaj dokument je originalno proizveden i objavljen od strane proizvođača, brenda Stiebel Eltron, i preuzet je sa njihove zvanične stranice. S obzirom na ovu činjenicu, Tehnoteka ističe da ne preuzima odgovornost za tačnost, celovitost ili pouzdanost informacija, podataka, mišljenja, saveta ili izjava sadržanih u ovom dokumentu.

Napominjemo da Tehnoteka nema ovlašćenje da izvrši bilo kakve izmene ili dopune na ovom dokumentu, stoga nismo odgovorni za eventualne greške, propuste ili netačnosti koje se mogu naći unutar njega. Tehnoteka ne odgovara za štetu nanесenu korisnicima pri upotrebi netačnih podataka. Ukoliko imate dodatna pitanja o proizvodu, ljubazno vas molimo da kontaktirate direktno proizvođača kako biste dobili sve detaljne informacije.

Za najnovije informacije o ceni, dostupnim akcijama i tehničkim karakteristikama proizvoda koji se pominje u ovom dokumentu, molimo posetite našu stranicu klikom na sledeći link:

<https://tehnoteka.rs/p/stiebel-eltron-protocni-bojler-pey-182124-akcija-cena/>