

Uputstvo za upotrebu i montažu (EN)

STIEBEL ELTRON protočni bojler PEO 18/21/24

STIEBEL ELTRON



Tehnoteka je online destinacija za upoređivanje cena i karakteristika bele tehnike, potrošačke elektronike i IT uređaja kod trgovinskih lanaca i internet prodavnica u Srbiji. Naša stranica vam omogućava da istražite najnovije informacije, detaljne karakteristike i konkurentne cene proizvoda.

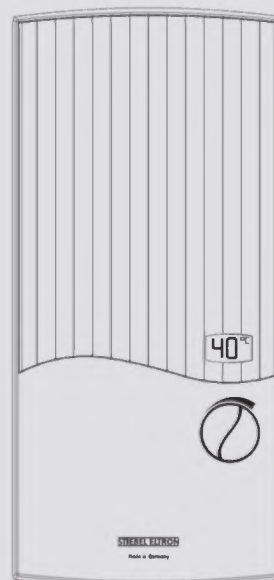
Posetite nas i uživajte u ekskluzivnom iskustvu pametne kupovine klikom na link:

<https://tehnoteka.rs/p/stiebel-eltron-protocni-bojler-peo-182124-akcija-cena/>

OPERATION AND INSTALLATION
OPERACIÓN E INSTALACIÓN
OBSLUHA A INSTALACE
OBSŁUGA I INSTALACJA
KEZELÉS ÉS TELEPÍTÉS
PËRDORIMI DHE INSTALIMI
РАКУВАЊЕ И ИНСТАЛАЦИЈА
ЭКСПЛУАТАЦИЈА И УСТАНОВКА

Electronically controlled comfort instantaneous water heater | Calentador instantáneo de confort con regulación electrónica | Elektronicky regulovaný komfortní průtokový ohřivač | Elektronicznie regulowany komfortowy przepływowy ogrzewacz wody | Elektronikus szabályozású, átfolyó üzemű komfort vízmelegítő | Nxehtësi i rrjedhjes komode i kontrolluar nga sistemi elektronik | Elektroniski reguliran udoben protochen bojler | Проточный водонагреватель повышенной комфортности с электронной системой регулирования

- » PE0 18/21/24
- » PE0 27



STIEBEL ELTRON

SPECIAL INFORMATION

OPERATION

1. General information	3
1.1 Safety instructions	3
1.2 Other symbols in this documentation	4
1.3 Units of measurement	4
2. Safety	4
2.1 Intended use	4
2.2 General safety instructions	4
2.3 Test symbols	4
3. Appliance description	4
4. Settings	5
4.1 Recommended settings	5
5. Cleaning, care and maintenance	5
6. Troubleshooting	5

INSTALLATION

7. Safety	6
7.1 General safety instructions	6
7.2 Shower operation	6
7.3 Instructions, standards and regulations	6
8. Appliance description	6
8.1 Standard delivery	6
9. Preparation	6
9.1 Installation location	6
9.2 Water installation	7
10. Installation	7
10.1 Standard installation	7
10.2 Alternative installation methods	10
10.3 Completing the installation	12
11. Commissioning	12
11.1 Initial start-up	12
11.2 Recommissioning	13
12. Appliance shutdown	13
13. Troubleshooting	13
14. Maintenance	14
15. Specification	14
15.1 Dimensions and connections	14
15.2 Wiring diagram	15
15.3 DHW output	15
15.4 Application areas / Conversion table	15
15.5 Pressure drop	15
15.6 Fault conditions	15
15.7 Energy consumption data	16
15.8 Data table	16

GUARANTEE

ENVIRONMENT AND RECYCLING

SPECIAL INFORMATION

- The appliance may be used by children aged 3 and older and persons with reduced physical, sensory or mental capabilities or a lack of experience and know-how, provided that they are supervised or they have been instructed on how to use the appliance safely and have understood the potential risks. Children must never play with the appliance. Children must never clean the appliance or perform user maintenance unless they are supervised.
- The tap can reach temperatures of up to 60 °C. There is a risk of scalding at outlet temperatures in excess of 43 °C.
- The appliance is suitable for supplying a shower (shower operation). If the appliance is also or exclusively used for shower operation, the qualified contractor must activate the temperature setting range using the temperature limit (Tred = 55 °C) in the appliance. When using preheated water, it must be ensured that the inlet temperature does not exceed 55 °C.
- Ensure the appliance can be separated from the power supply by an isolator that disconnects all poles with at least 3 mm contact separation.
- The specified voltage must match the power supply.
- The appliance must be connected to the earth conductor.
- The appliance must be permanently connected to fixed wiring.
- Secure the appliance as described in chapter "Installation / Installation".
- Observe the maximum permissible pressure (see chapter "Installation / Specification / Data table").

- The specific water resistivity of the mains water supply must not be undershot (see chapter "Installation / Specification / Data table").
- Drain the appliance as described in chapter "Installation / Maintenance / Draining the appliance".

OPERATION

1. General information

The chapters "Special information" and "Operation" are intended for both users and qualified contractors.

The chapter "Installation" is intended for qualified contractors.



Note

Read these instructions carefully before using the appliance and retain them for future reference. Pass on the instructions to a new user if required.

1.1 Safety instructions

1.1.1 Structure of safety instructions






KEYWORD Type of risk

Here, possible consequences are listed that may result from failure to observe the safety instructions.

► Steps to prevent the risk are listed.

1.1.2 Symbols, type of risk

Symbol	Type of risk
	Injury
	Electrocution
	Burns (burns, scalding)

1.1.3 Keywords

KEYWORD	Meaning
DANGER	Failure to observe this information will result in serious injury or death.
WARNING	Failure to observe this information may result in serious injury or death.
CAUTION	Failure to observe this information may result in non-serious or minor injury.

1.2 Other symbols in this documentation

**Note**

General information is identified by the adjacent symbol.
► Read these texts carefully.

Symbol**Meaning**

Material losses
(appliance damage, consequential losses and environmental pollution)



Appliance disposal

► This symbol indicates that you have to do something. The action you need to take is described step by step.

1.3 Units of measurement

**Note**

All measurements are given in mm unless stated otherwise.

2. Safety

2.1 Intended use

This pressurised appliance is suitable for heating domestic hot water or for reheating preheated water. The appliance can supply one or more draw-off points.

The appliance is intended for domestic use. It can be used safely by untrained persons. The appliance can also be used in non-domestic environments, e.g. in small businesses, as long as it is used in the same way.

Any other use beyond that described shall be deemed inappropriate. Observation of these instructions and of the instructions for any accessories used is also part of the correct use of this appliance.

2.2 General safety instructions

**CAUTION Burns**

The tap can reach temperatures of up to 60 °C. There is a risk of scalding at outlet temperatures in excess of 43 °C.

**CAUTION Burns**

If operating with preheated water, e.g. from a solar thermal system, the DHW temperature may vary from the selected set temperature.

**WARNING Injury**

The appliance may be used by children aged 3 and older and persons with reduced physical, sensory or mental capabilities or a lack of experience and know-how, provided that they are supervised or they have been instructed on how to use the appliance safely and have understood the potential risks. Children must never play with the appliance. Children must never clean the appliance or perform user maintenance unless they are supervised.

Where children or persons with limited physical, sensory or mental abilities are allowed to use this appliance, we recommend a permanent temperature limit. A qualified contractor can set the limit for you.

**Material losses**

The user should protect the appliance and its tap against frost.

2.3 Test symbols

See type plate on the appliance.

3. Appliance description

The electronically controlled instantaneous water heater with automatic output matching keeps the outlet temperature constant up to the output limit. The temperature is then adjusted via the draw-off tap.

Heating system

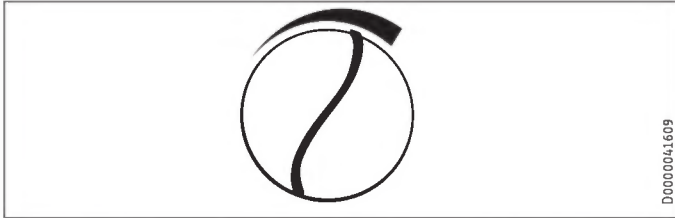
The bare wire heating system has a pressure-tested plastic casing. The heating system is suitable for hard and soft water areas and is largely insusceptible to scale build-up. This heating system ensures rapid and efficient DHW availability.

**Note**

The appliance is equipped with an air detector that largely prevents damage to the heating system. If, during operation, air is drawn into the appliance, the appliance shuts down for one minute, thereby protecting the heating system.

4. Settings

The DHW outlet temperature can be variably adjusted. The selected temperature is displayed. At temperatures over 43 °C, the colour of the display changes from blue to red to indicate a risk of scalding.



- ▶ Turn the temperature selector to the required temperature.



Note

If the outlet temperature is not sufficiently high when the draw-off valve is fully open and the temperature selector is set to maximum, then more water is flowing through the appliance than can be heated by the heating system (appliance is at its output limit).

- ▶ Reduce the water volume at the draw-off valve.

4.1 Recommended settings

Thermostatic valve

Your instantaneous water heater offers maximum precision and maximum convenience in DHW provision. Should you nonetheless be operating the appliance with a thermostatic valve, we recommend that you:

- ▶ Adjust the set temperature on the appliance to over 50 °C. Then set the required set temperature on the thermostatic valve.

Following an interruption to the water supply



Material losses

To ensure that the bare wire heating system is not damaged following an interruption to the water supply, the appliance must be restarted by taking the following steps.

- ▶ Disconnect the appliance from the power supply by removing the fuses/tripping the MCBs.
- ▶ Open the tap for one minute until the appliance and its upstream cold water inlet line are free of air.
- ▶ Switch the mains power back on again.

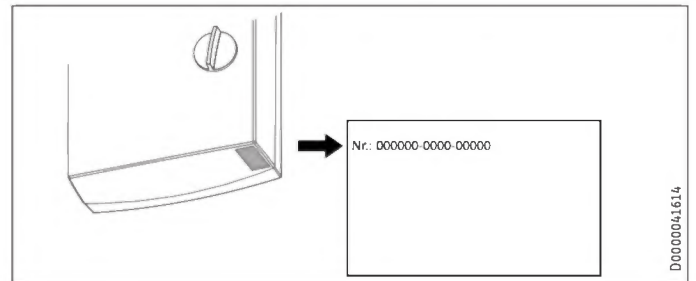
5. Cleaning, care and maintenance

- ▶ Never use abrasive or corrosive cleaning agents. A damp cloth is sufficient for cleaning the appliance.
- ▶ Check the taps regularly. Limescale deposits at the tap outlets can be removed using commercially available descaling agents.

6. Troubleshooting

Problem	Cause	Remedy
The appliance will not start despite the DHW valve being fully open.	There is no power.	Check the fuses/MCBs in your fuse box/distribution board.
	The flow rate is too low. The aerator in the tap or the shower head is scaled up or dirty.	Clean and/or descale the aerator or shower head.
Required temperature > 45 °C is not achieved.	The water supply has been interrupted.	Vent the appliance and the cold water inlet line (see chapter "Settings").
	The cold water inlet temperature is > 45 °C.	Reduce the cold water inlet temperature.

If you cannot remedy the fault, notify your qualified contractor. To facilitate and speed up your enquiry, please provide the serial number from the type plate (000000-0000-00000).



INSTALLATION

7. Safety

Only a qualified contractor should carry out installation, commissioning, maintenance and repair of the appliance.

7.1 General safety instructions

We guarantee trouble-free function and operational reliability only if original accessories and spare parts intended for the appliance are used.

Flow pressure

If the flow rate is insufficient to switch on the appliance even when the tap is open, remove the flow limiter and replace it with the plastic profile washer supplied.

If required, the pressure in the water installation can also be raised.



Note

For the thermostatic valve to function correctly, the flow limiter for this valve must not be replaced with the plastic profile washer.



Material losses

Observe the maximum inlet temperature. Higher temperatures may damage the appliance. You can limit the maximum inlet temperature by installing a central thermostatic valve.



WARNING Electrocutation

This appliance contains capacitors which are discharged when disconnected from the power supply. The capacitor discharge voltage may briefly reach > 60 V DC.

7.2 Shower operation



CAUTION Burns

► If supplying a shower, set the internal temperature limit to "Tred"; see chapter "Installation alternatives / Temperature limit".



CAUTION Burns

If the water supplied to the appliance is preheated, please note the following:
The internally adjustable temperature limit may be exceeded.

► Limit the temperature with an upstream central thermostatic valve.

7.3 Instructions, standards and regulations



Note

Observe all applicable national and regional regulations and instructions.

- The IP 25 (hoseproof) rating can only be ensured with a correctly fitted cable grommet.
- The specific electrical resistivity of the water must not fall below that stated on the type plate. In a linked water network, observe the lowest electrical water resistivity (see chapter "Specification / Application areas / Conversion table"). Your water supply utility will advise you of the specific electrical water resistivity or conductivity.

8. Appliance description

8.1 Standard delivery

The following are delivered with the appliance:

- Wall mounting bracket
- Threaded stud for wall mounting
- Installation template
- 2 twin connectors (cold water with shut-off valve)
- Flat gaskets
- Cable grommet (power cable from above / below)
- Screws / rawl plugs for securing the back panel to allow for water connection on finished walls

For appliance replacement:

- 2 tap extensions

9. Preparation

9.1 Installation location



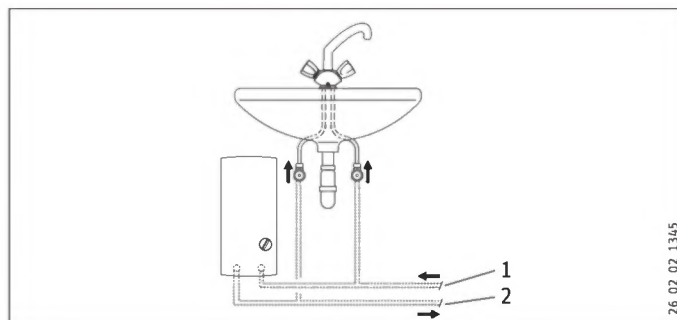
Material losses

Install the appliance in a room free from the risk of frost.

- Always install the appliance vertically and near the draw-off point.

The appliance is suitable for undersink and oversink installation.

Undersink installation

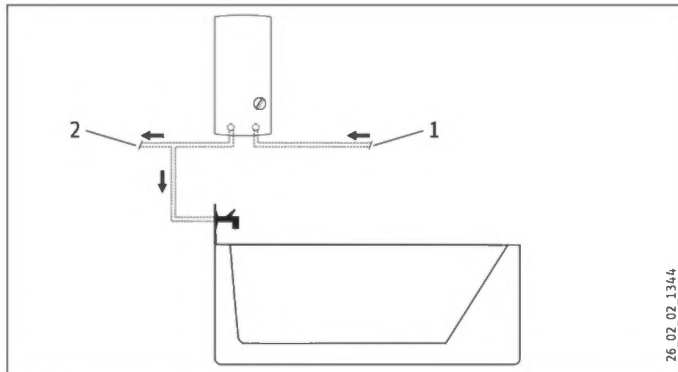


- 1 Cold water inlet
- 2 DHW outlet

INSTALLATION

Installation

Oversink installation



- 1 Cold water inlet
- 2 DHW outlet



Note

► Mount the appliance on the wall. The wall must have sufficient load bearing capacity.

9.2 Water installation

- No safety valve is required.
- Safety valves are not permissible in the DHW pipe.
- Flush the water line thoroughly.
- Ensure that the flow rate for switching on the appliance is achieved (see chapter "Specification / Data table", On). If the flow rate is not achieved, remove the flow limiter (see chapter "Installation / Removing the flow limiter").
- Increase the mains water pressure if the required flow rate is not achieved with the draw-off valve fully opened.

Taps

Use appropriate pressure taps. Open vented taps are not permissible.



Note

Never use the shut-off valve in the cold water inlet to reduce the flow rate. It is intended for shutting off the appliance.

Permissible water line materials

- Cold water inlet pipe:
Pipes made from galvanised steel, stainless steel, copper or plastic
- DHW outlet line:
Pipes made from stainless steel, copper or plastic



Material losses

If plastic pipework systems are used, take into account the maximum inlet temperature and the maximum pressure (see chapter "Specification / Data table").

Flexible water connection lines

- If the appliance is installed with flexible water connection lines, ensure that the pipe bends with bayonet fittings do not become twisted inside the appliance.
- Secure the back panel at the bottom with two additional screws.

10. Installation

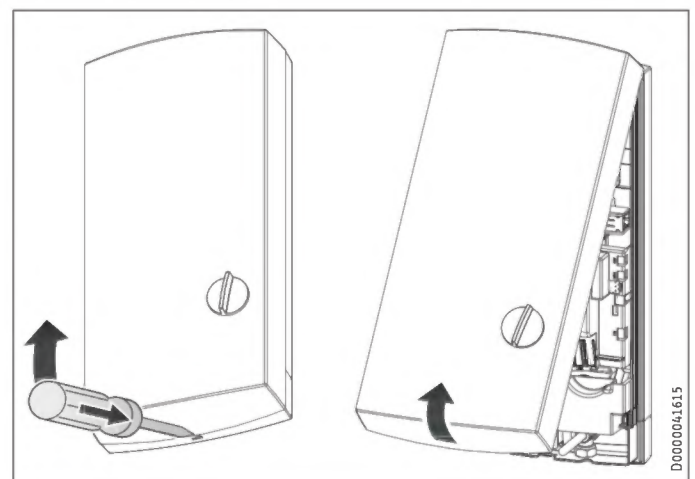
10.1 Standard installation

- Electrical connection from above; installation on unfinished walls
- Water connection on unfinished walls
- PEO 18/21/24: Medium connected load is selected

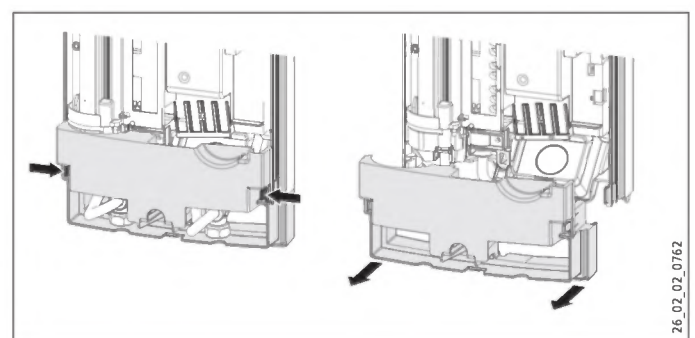
For further installation options, see chapter "Alternative installation methods":

- Electrical connection from below on unfinished walls
- Electrical connection on finished walls
- Connecting a load shedding relay
- Water installation on finished walls
- Water connection on unfinished walls for appliance replacement
- Operation with preheated water
- Temperature limit

Opening the appliance



- Open the appliance by releasing the snap lock.

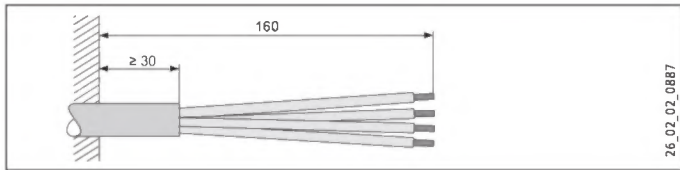


- Remove the back panel by pressing the two locking tabs and pulling the lower section of the back panel forwards.

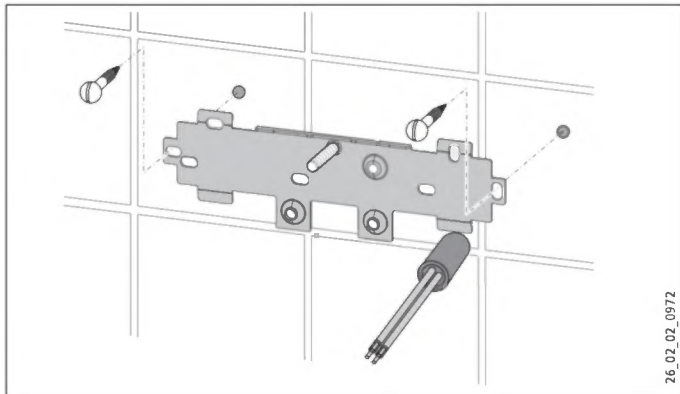
INSTALLATION

Installation

Preparing the power cable

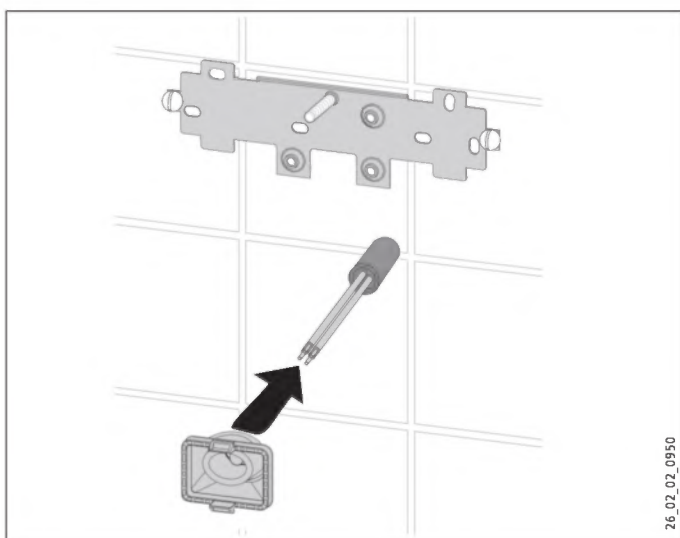


Fitting the wall mounting bracket



- ▶ Mark out the holes for drilling using the installation template. If the appliance is to be installed with water connections on finished walls, also mark out the fixing holes in the lower part of the template.
- ▶ Drill the holes and secure the wall mounting bracket with 2 screws and 2 rawl plugs (screws and rawl plugs are not part of the standard delivery).
- ▶ Fit the threaded stud provided.
- ▶ Fit the wall mounting bracket.

Fitting the cable grommet



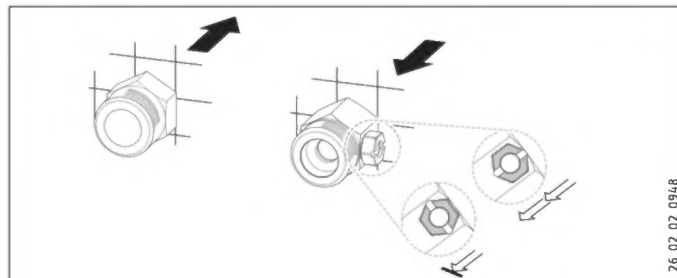
- ▶ Fit the cable grommet. For connecting cables $> 6 \text{ mm}^2$, enlarge the hole in the cable grommet.

Making the water connection



Material losses

Carry out all water connection and installation work in accordance with regulations.



- ▶ Seal and insert the twin connectors.



Material losses

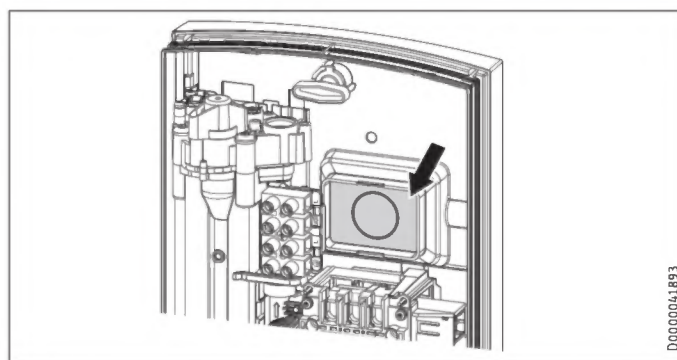
Never use the shut-off valve in the cold water inlet to reduce the flow rate.

Preparing the back panel



Material losses

If you break open the wrong knock-out in the back panel by mistake, you must use a new back panel.

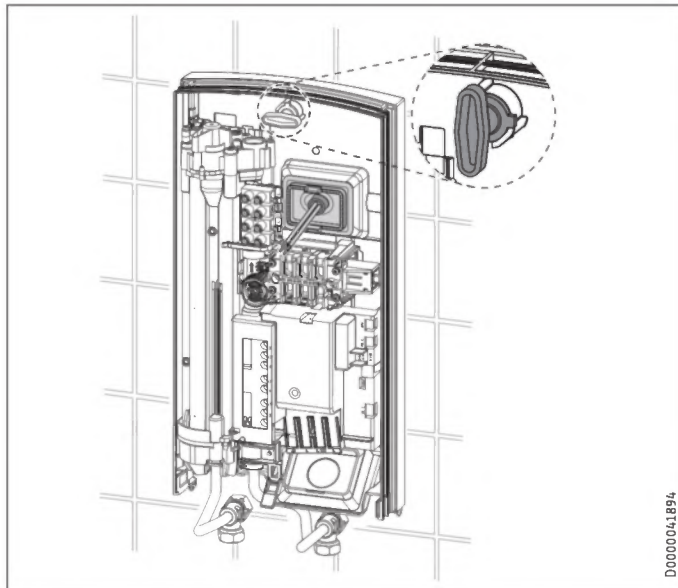


- ▶ Break out the cable grommet knock-out in the back panel. Deburr any sharp edges with a file if necessary.

INSTALLATION

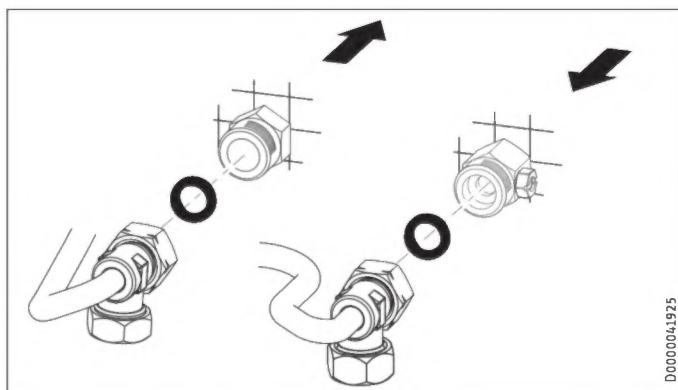
Installation

Installing the appliance



D0000041B94

- ▶ Push the back panel over the threaded stud and the cable grommet. Pull the cable grommet by the locking hooks into the back panel using pliers, until both locking hooks audibly click into place.
- ▶ Remove the protective transport plugs from the water connections.
- ▶ Press the back panel firmly into place and lock the fixing toggle by turning it clockwise through 90°.



D0000041B25

- ▶ Screw the water connection pipes with flat gaskets onto the twin connectors.



Material losses

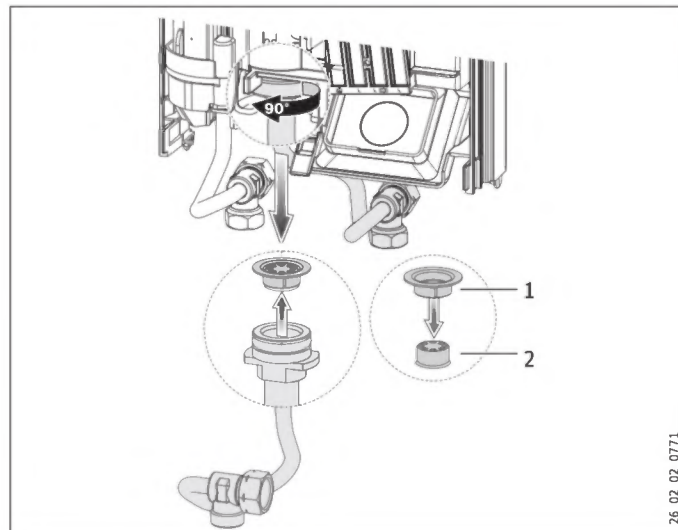
- The strainer must be fitted for the appliance to function.
 - ▶ When replacing an appliance, check whether the strainer is installed (see chapter "Maintenance").

Removing the flow limiter



Material losses

- If you use a thermostatic valve, the flow limiter must not be removed.



26_02_02_0771

- 1 Plastic profile washer
- 2 Flow limiter

- ▶ Remove the flow limiter and refit the plastic profile washer.

Making the electrical connection



WARNING Electrocutation

- Carry out all electrical connection and installation work in accordance with relevant regulations.



WARNING Electrocutation

- The connection to the power supply must be in the form of a permanent connection in conjunction with the removable cable grommet. Ensure the appliance can be separated from the power supply by an isolator that disconnects all poles with at least 3 mm contact separation.



WARNING Electrocutation

- Ensure that the appliance is earthed.



Material losses

- Observe the type plate. The specified voltage must match the mains voltage.

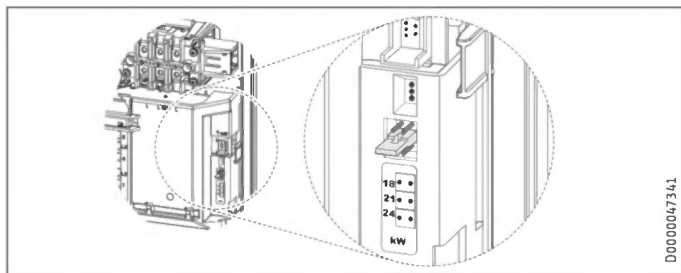
- ▶ Connect the power cable to the mains terminal (see chapter "Specification / Wiring diagram").

INSTALLATION

Installation

PEO 18/21/24: Re-plugging the coding card

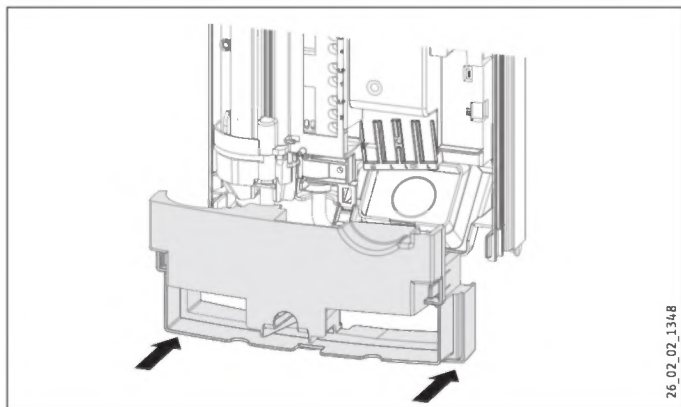
In its delivered condition, the appliance is set to 21 kW. When changing to a different connected load, carry out the following steps:



D0000047341

- ▶ Re-plug the coding card according to the selected connected load (for selectable connected load and fuse protection of the appliance, see "Specification / Data table").
- ▶ Tick the selected connected load on the type plate. Use a ballpoint pen to do this.

Fitting the base part of the back panel

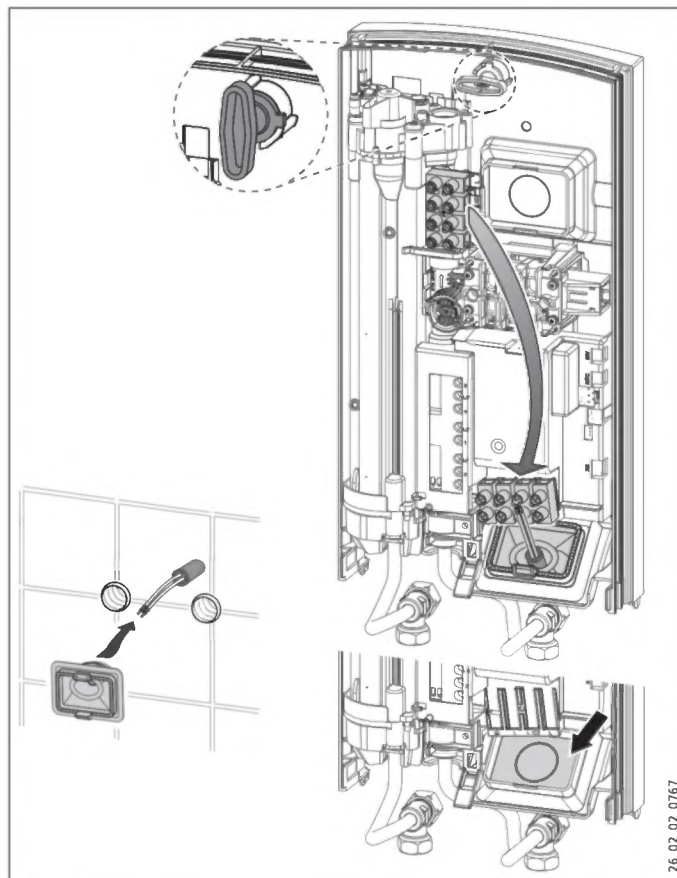


26_02_02_1348

- ▶ Position the lower back panel on the main back panel and click it into place.
- ▶ Align the mounted appliance by undoing the fixing toggle, aligning the power supply and back panel, and then re-tightening the fixing toggle. If the back panel is not flush with the wall, the appliance can be secured at the bottom with two additional screws.

10.2 Alternative installation methods

10.2.1 Electrical connection from below on unfinished walls



26_02_02_0767

- ▶ Fit the cable grommet.



Material losses

If you break open the wrong knock-out in the back panel by mistake, you must use a new back panel.

- ▶ Break out the cable grommet knock-out in the back panel. Deburr any sharp edges with a file if necessary.
- ▶ Reposition the mains terminal in the appliance from the top to the bottom.
- ▶ Push the back panel over the threaded stud and the cable grommet. Pull the cable grommet by the locking hooks into the back panel using pliers, until both locking hooks audibly click into place.
- ▶ Press the back panel firmly into place and lock the fixing toggle by turning it clockwise through 90°.

INSTALLATION

Installation

10.2.2 Electrical connection on finished walls



Note

This type of connection changes the IP rating of the appliance.

- ▶ Change the type plate. Cross out "IP 25" and mark the box "IP 24". Use a ballpoint pen to do this.



Material losses

If you break open the wrong knock-out in the back panel by mistake, you must use a new back panel.

- ▶ Cleanly cut or break out the required cable entries in the back panel (for positions, see chapter "Specification / Dimensions and connections"). Deburr any sharp edges with a file if necessary.
- ▶ Route the power cable through the cable grommet and connect it to the mains terminal.

10.2.3 Connecting a load shedding relay

When operating additional electric appliances, such as electric storage heaters, install a load shedding relay in the distribution board. The relay responds when the instantaneous water heater starts.



Material losses

Connect the phase that switches the load shedding relay to the indicated terminal of the mains terminal in the appliance (see chapter "Specification / Wiring diagram").

10.2.4 Water installation on finished walls



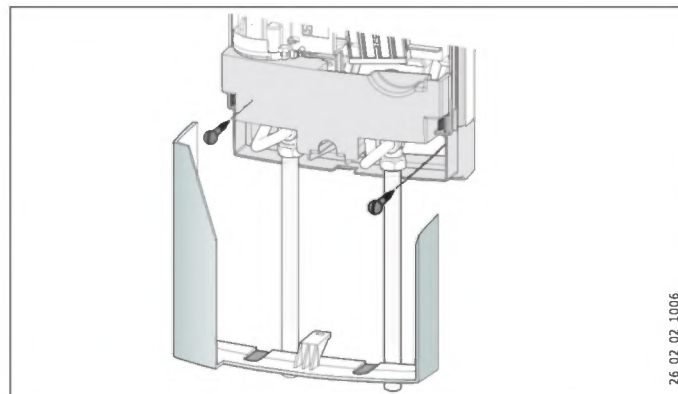
Note

This type of connection changes the IP rating of the appliance.

- ▶ Change the type plate. Cross out "IP 25" and mark the box "IP 24". Use a ballpoint pen to do this.



- ▶ Fit water plugs with gaskets to seal the concealed connections.
- ▶ Fit a suitable pressure tap.



- ▶ Secure the back panel at the bottom with two additional screws.
- ▶ Slide the lower back panel under the connection pipes of the tap and click the lower back panel into place.
- ▶ Secure the connection pipes to the appliance.



Material losses

If you break open the wrong knock-out in the appliance cover by mistake, you must use a new appliance cover.

- ▶ Cleanly break out the knock-outs in the appliance cover. Deburr any sharp edges with a file if necessary.

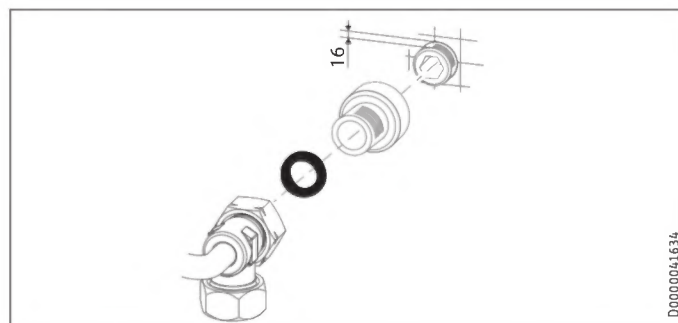
10.2.5 Water installation on unfinished walls for appliance replacement

If the existing twin connectors of the old appliance only protrude from the wall by approx. 16 mm, you cannot use the twin connectors provided.



Note

With this connection, the cold water supply can only be shut off within the domestic installation.



- ▶ Seal and fit the screw-in tap extensions provided.
- ▶ Connect the appliance.

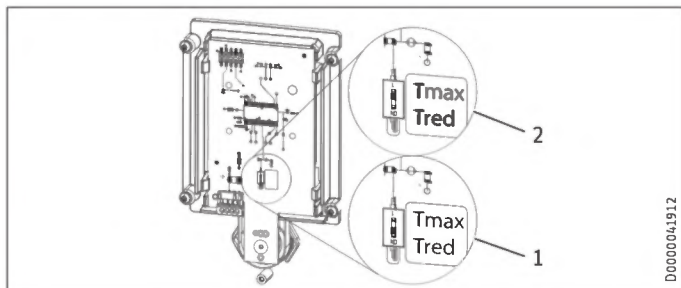
INSTALLATION

Commissioning

10.2.6 Operation with preheated water

You can limit the maximum inlet temperature by installing a central thermostatic valve.

10.2.7 Temperature limit



- 1 Position "Tred" (55 °C): Temperature limit
- 2 Position "Tmax": No temperature limit, for temperature setting range, see chapter "Specification / Data table".

- ▶ Remove the appliance cover.
- ▶ Slide the switch to the required position.
- ▶ Fit the appliance cover.



CAUTION Burns

When operating with preheated water, the set temperature limit may be ineffective.

- ▶ In this case, limit the temperature at the upstream central thermostatic valve.

10.3 Completing the installation

- ▶ Open the shut-off valve in the twin connector or the cold water inlet line.

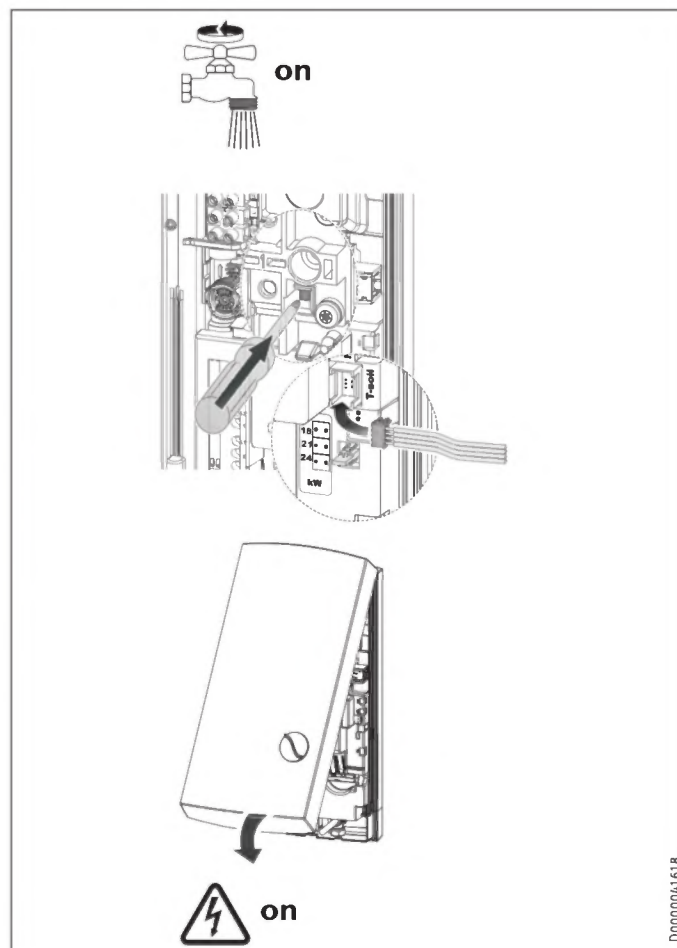
11. Commissioning



WARNING Electrocution

Commissioning must only be carried out by a qualified contractor in accordance with safety regulations.

11.1 Initial start-up



- ▶ Open and close all connected draw-off valves several times, until all air has been purged from the pipework and the appliance.
- ▶ Carry out a tightness check.
- ▶ Activate the safety pressure limiter by firmly pressing the reset button (the appliance is delivered with the safety pressure limiter deactivated).
- ▶ Plug the temperature selector cable plug into the PCB.
- ▶ Fit the appliance cover, ensuring it clicks into place. Check that the appliance cover is seated correctly.
- ▶ Switch the power supply ON.
- ▶ Check the appliance function.

Appliance shutdown

Appliance handover

- ▶ Explain the appliance function to users and familiarise them with how it works.
- ▶ Make the user aware of potential dangers, especially the risk of scalding.
- ▶ Hand over these instructions.

11.2 Recommissioning

Vent the appliance and the cold water inlet line (see chapter "Settings").

See chapter "Initial start-up".

12. Appliance shutdown

- ▶ Isolate all poles of the appliance from the power supply.
- ▶ Drain the appliance (see chapter "Maintenance").

13. Troubleshooting

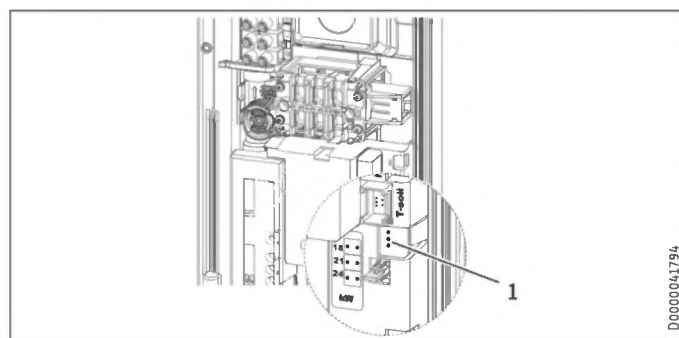


WARNING Electrocutation

To test the appliance, it must be supplied with power.

Indicator options for diagnostic traffic light (LED)

	Red	Illuminates in the event of a fault
	Yellow	Illuminates during heating operation
	Green	Flashing: Appliance connected to power supply



1 Diagnostic traffic light

Fault / LED diagnostic traffic light	Cause	Remedy
The flow rate is too low.	The strainer in the appliance is dirty.	Clean the strainer.
The set temperature is not achieved.	One phase down.	Check the fuse/MCB in your fuse box/distribution board.
The heating system does not switch on.	Air has been detected in the water and heating output is briefly switched off.	The appliance restarts after one minute.
No hot water and no traffic light display.	The MCB/fuse has responded/blown.	Check the fuse/MCB in your fuse box/distribution board.
	Safety pressure limiter AP 3 has tripped.	Remove the cause of the fault (e.g. faulty pressure flush). Protect the heating system against overheating by opening a draw-off valve downstream of the appliance for one minute. This depressurises and cools down the heating system. Activate the safety pressure limiter at flow pressure by pressing the reset button (see chapter "Commissioning").
	The PCB is faulty.	Check the PCB and replace if required.
Traffic light display: Green flashing or constantly on	The PCB is faulty.	Check the PCB and replace if required.
No hot water at a flow rate > 2.5 l/min.	The flow meter (DFE) is not plugged in.	Plug the flow meter plug back in.
	The flow meter (DFE) is faulty.	Check the flow meter and replace if required.
Traffic light display: Yellow constantly on; green flashing	The high limit safety cut-out has responded or suffered a lead break.	Check the high limit safety cut-out and replace it if required.
No hot water at flow rate of > 3 l/min.	The heating system is faulty.	Check the heating system resistor and replace if required.
	The PCB is faulty.	Check the PCB and replace if required.
Traffic light display: Yellow constantly on; green flashing	The outlet sensor is unplugged or the lead is broken.	Plug in the outlet sensor or replace if required.
Traffic light display: Red constantly on; green flashing	The cold water sensor is faulty.	Check the PCB and replace if required.
No hot water Required temperature > 45 °C is not achieved.	The cold water inlet temperature exceeds 45 °C.	Reduce the cold water inlet temperature to the appliance.
Traffic light display: Red constantly on; green flashing	The outlet sensor is faulty (short circuit).	Check the outlet sensor and replace if required.

14. Maintenance



WARNING Electrocutation
Before any work on the appliance, disconnect all poles from the power supply.

Draining the appliance

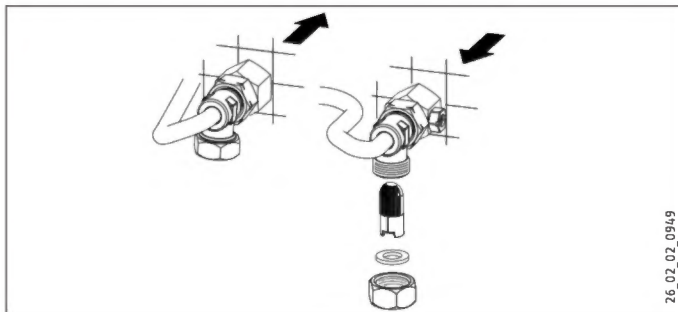
The appliance can be drained for maintenance work.



WARNING Burns
Hot water may escape when draining the appliance.

- ▶ Close the shut-off valve in the twin connector or the cold water inlet line.
- ▶ Open all draw-off valves.
- ▶ Undo the water connections on the appliance.
- ▶ Store the dismantled appliance in a room free from the risk of frost, as water residues remaining inside the appliance can freeze and cause damage.

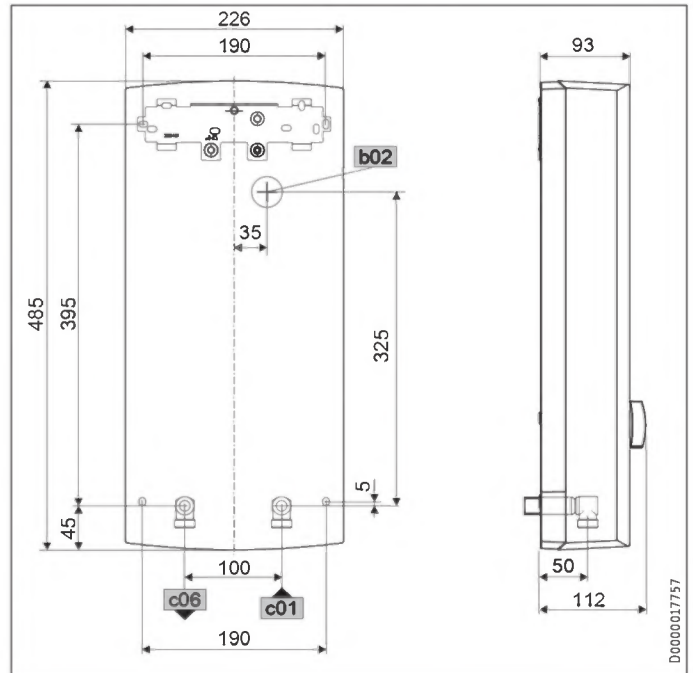
Cleaning the strainer



If dirty, clean the strainer in the threaded cold water fitting. Close the shut-off valve in the cold water inlet line before removing, cleaning and refitting the strainer.

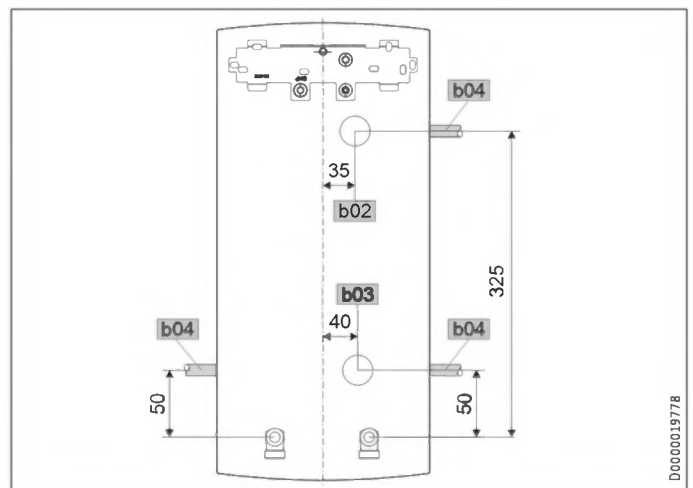
15. Specification

15.1 Dimensions and connections



b02	Entry electrical cables I		
c01	Cold water inlet	Male thread	G 1/2 A
c06	DHW outlet	Male thread	G 1/2 A

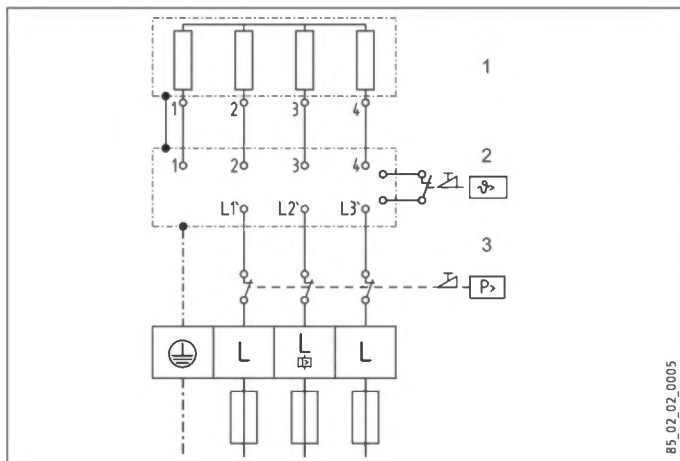
Alternative connection options



b02	Entry electrical cables I		
b03	Entry electrical cables II		
b04	Entry electrical cables III		

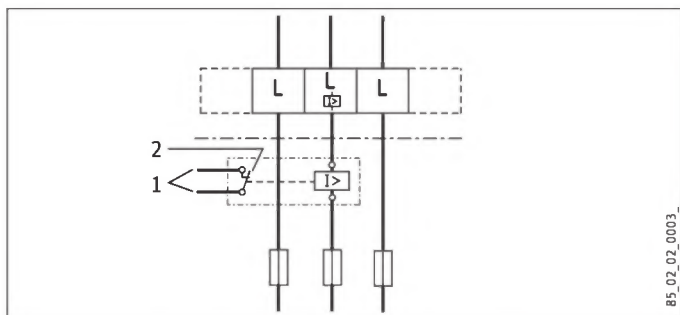
15.2 Wiring diagram

3/PE ~ 380-415 V



- 1 Heating
- 2 High limit safety cut-out
- 3 Safety pressure limiter

Priority control with LR 1-A



- 1 Control cable to the contactor of the 2nd appliance (e.g. electric storage heater).
- 2 Control contact drops out when switching the instantaneous water heater on.

15.3 DHW output

The DHW output is subject to the mains voltage, the appliance's connected load and the cold water inlet temperature. The rated voltage and rated output can be found on the type plate (see chapter "Troubleshooting").

Connected load in kW			38 °C DHW output in L/min.			
Rated voltage			Cold water inlet temperature			
380 V	400 V	415 V	5 °C	10 °C	15 °C	20 °C
16.2			7.0	8.3	10.1	12.9
19.0			8.2	9.7	11.8	15.1
21.7			9.4	11.1	13.5	17.2
	18.0		7.8	9.2	11.2	14.3
	21.0		9.1	10.7	13.0	16.7
	24.0		10.4	12.2	14.9	19.0
		19.4	8.4	9.9	12.0	15.4
		22.6	9.8	11.5	14.0	17.9
		25.8	11.2	13.2	16.0	20.5
24.4			10.6	12.4	15.2	19.4
	27.0		11.7	13.8	16.8	21.4

Connected load in kW			50 °C DHW output in L/min.			
Rated voltage			Cold water inlet temperature			
380 V	400 V	415 V	5 °C	10 °C	15 °C	20 °C
16.2			5.1	5.8	6.6	7.7
19.0			6.0	6.8	7.8	9.0
21.7			6.9	7.8	8.9	10.3
	18.0		5.7	6.4	7.3	8.6
	21.0		6.7	7.5	8.6	10.0
	24.0		7.6	8.6	9.8	11.4
		19.4	6.2	6.9	7.9	9.2
		22.6	7.2	8.1	9.2	10.8
		25.8	8.2	9.2	10.5	12.3
24.4			7.7	8.7	10.0	11.6
	27.0		8.6	9.6	11.0	12.9

15.4 Application areas / Conversion table

Specific electrical resistivity and specific electrical conductivity (see chapter "Data table").

Standard specification at 15 °C			20 °C			25 °C		
Resistivity $\rho \geq$	Conductivity $\sigma \leq$		Resistivity $\rho \geq$	Conductivity $\sigma \leq$		Resistivity $\rho \geq$	Conductivity $\sigma \leq$	
$\Omega \text{ cm}$	mS/m	$\mu\text{S/cm}$	$\Omega \text{ cm}$	mS/m	$\mu\text{S/cm}$	$\Omega \text{ cm}$	mS/m	$\mu\text{S/cm}$
900	111	1111	800	125	1250	735	136	1361
1000	100	1000	890	112	1124	815	123	1227
1200	83	833	1070	93	935	985	102	1015
1300	77	769	1175	85	851	1072	93	933

15.5 Pressure drop

Taps

Tap pressure drop at a flow rate of 10 L/min		
Mono lever mixer tap, approx.	MPa	0.04 - 0.08
Thermostatic valve, approx.	MPa	0.03 - 0.05
Hand shower, approx.	MPa	0.03 - 0.15

Sizing the pipework

When calculating the size of the pipework, an appliance pressure drop of 0.1 MPa is recommended.

15.6 Fault conditions

In the event of a fault, loads up to a maximum of 95 °C at a pressure of 1.2 MPa can occur temporarily in the installation.

INSTALLATION Specification

15.7 Energy consumption data

Product datasheet: Conventional water heaters to regulation (EU) no. 812/2013 and 814/2013 / (S.I. 2019 No. 539 / Schedule 2)

		PEO 18/21/24	PEO 27
		233991	233992
Manufacturer		STIEBEL ELTRON	STIEBEL ELTRON
Load profile		S	S
Energy efficiency class		A	A
Energy conversion efficiency	%	39	39
Annual power consumption	kWh	477	481
Default temperature setting	°C	60	60
Sound power level	dB(A)	15	15
Special information on measuring efficiency		Data at Pmax.	Measured with DMB 8.5 l/min
Daily power consumption	kWh	2.198	2.220

15.8 Data table

		PEO 18/21/24			PEO 27	
		233991			233992	
Electrical data						
Rated voltage	V	380	400	415	380	400
Rated output	kW	16.2/19/21.7	18/21/24	19.4/22.6/25.8	24.4	27
Rated current	A	27.6/29.5/33.3	29/31/35	30.1/32.2/36.3	37.1	39
Fuse protection	A	32/32/35	32/32/35	32/32/40	40	40
Frequency	Hz	50/60	50/60	50/-	50/60	50/60
Phases				3/PE		3/PE
Specific resistance $\rho_{15} \geq$ (at $\vartheta_{\text{cold}} \leq 25$ °C)	Ω cm	900	900	1000	900	900
Specific conductivity $\sigma_{15} \leq$ (at $\vartheta_{\text{cold}} \leq 25$ °C)	$\mu\text{S/cm}$	1111	1111	1000	1111	1111
Specific resistance $\rho_{15} \geq$ (at $\vartheta_{\text{cold}} \leq 45$ °C)	Ω cm	1200	1200	1300	1200	1200
Specific conductivity $\sigma_{15} \leq$ (at $\vartheta_{\text{cold}} \leq 45$ °C)	$\mu\text{S/cm}$	833	833	770	833	833
Max. mains impedance at 50 Hz	Ω	0.284	0.270	0.260	0.254	0.241
Versions						
Heating system heat generator				Bare wire		Bare wire
Insulating block				Plastic		Plastic
Temperature settings	°C			30-60		30-60
Protection class				1		1
Cover and back panel				Plastic		Plastic
IP rating				IP25		IP25
Colour				White		White
Connections						
Water connection				G 1/2 A		G 1/2 A
Application limits						
Max. permissible pressure	MPa			1		1
Max. inlet temperature for reheating	°C			45		45
Values						
Max. permissible inlet temperature	°C			60		60
ON	l/min			>2.5		>2.5
DHW delivery	l/min			9.4/11.0/12.6		14.2
$\Delta\vartheta$ on delivery	K			26		26
Hydraulic data						
Nominal capacity	l			0.4		0.4
Dimensions						
Height	mm			485		485
Width	mm			226		226
Depth	mm			93		93
Weights						
Weight	kg			3.6		3.6



Note

The appliance conforms to IEC 61000-3-12.

Guarantee

The guarantee conditions of our German companies do not apply to appliances acquired outside of Germany. In countries where our subsidiaries sell our products a guarantee can only be issued by those subsidiaries. Such guarantee is only granted if the subsidiary has issued its own terms of guarantee. No other guarantee will be granted.

We shall not provide any guarantee for appliances acquired in countries where we have no subsidiary to sell our products. This will not affect warranties issued by any importers.

Environment and recycling

We would ask you to help protect the environment. After use, dispose of the various materials in accordance with national regulations.

INDICACIONES ESPECIALES

OPERACIÓN

1. Indicaciones generales	19
1.1 Instrucciones de seguridad	19
1.2 Otras marcas presentes en esta documentación	20
1.3 Unidades de medida	20
2. Seguridad	20
2.1 Utilización conforme a las prescripciones	20
2.2 Instrucciones generales de seguridad	20
2.3 Sello de certificación	20
3. Descripción del aparato	20
4. Ajustes	21
4.1 Recomendación de ajuste	21
5. Limpieza, conservación y mantenimiento	21
6. Resolución de problemas	21

INSTALACIÓN

7. Seguridad	22
7.1 Instrucciones generales de seguridad	22
7.2 Modo de ducha	22
7.3 Reglamentos, normas y disposiciones	22
8. Descripción del aparato	22
8.1 Ámbito de suministro	22
9. Preparativos	22
9.1 Lugar de montaje	22
9.2 Instalación de agua	23
10. Montaje	23
10.1 Montaje estándar	23
10.2 Alternativas de montaje	26
10.3 Últimos pasos de montaje	28
11. Puesta en marcha	28
11.1 Primera puesta en marcha	28
11.2 Nueva puesta en marcha	29
12. Puesta fuera de servicio	29
13. Localización y reparación de averías	29
14. Mantenimiento	30
15. Especificaciones técnicas	30
15.1 Dimensiones y conexiones	30
15.2 Esquema de conexiones eléctricas	31
15.3 Rendimiento de agua caliente	31
15.4 Ámbitos de aplicación / Tabla de conversión	31
15.5 Pérdida de presión	31
15.6 Condiciones en caso de avería	31
15.7 Datos sobre el consumo energético	32
15.8 Tabla de especificaciones	32

GARANTÍA

MEDIO AMBIENTE Y RECICLADO

INDICACIONES ESPECIALES

- El aparato puede ser utilizado por niños de a partir de 3 años, así como por personas con capacidades físicas, sensoriales o mentales limitadas, o con falta de experiencia y conocimientos, solo bajo la vigilancia de otra persona o si antes han recibido instrucciones sobre el uso seguro del aparato y han comprendido los peligros que pueden derivarse. No deje que los niños jueguen con el aparato. Las tareas de limpieza y mantenimiento propias del usuario no deben ser realizadas por niños sin vigilancia.
- Los grifos/válvulas pueden alcanzar temperaturas de hasta 60 °C. A temperaturas de salida superiores a 43 °C existe peligro de escaldamiento.
- El aparato es apto para el abastecimiento de una ducha (modo de ducha). Si el aparato se utiliza también o exclusivamente para el modo de ducha, el profesional técnico especializado debe activar el rango de ajuste de temperatura a través de la limitación de temperatura (Tred = 55 °C) en el aparato. Si se utiliza agua precalentada, asegúrese de que la temperatura de admisión no supere los 55 °C.
- El aparato debe poder desconectarse omnipolarmente de la red eléctrica mediante una separación de al menos 3 mm.
- La tensión indicada debe coincidir con la fuente de suministro.
- El aparato debe estar conectado a un conductor de puesta a tierra.
- El aparato debe estar continuamente conectado a un cableado fijo.
- Fije el aparato tal como se describe en el capítulo "Instalación / Montaje".

- Tenga en cuenta la presión máxima admisible (véase el capítulo "Instalación / Especificaciones técnicas / Tabla de especificaciones").
- La resistencia específica del agua de la red de abastecimiento de agua no debe tener un valor inferior al mínimo (véase el capítulo "Instalación / Especificaciones técnicas / Tabla de especificaciones").
- Vacíe el aparato tal y como se describe en el capítulo "Instalación / Mantenimiento / Vaciado del aparato".

OPERACIÓN

1. Indicaciones generales

Los capítulos "Indicaciones especiales" y "Utilización" están dirigidos al usuario del aparato y al profesional técnico especializado.

El capítulo "Instalación" está dirigido al profesional técnico especializado.



Nota

Lea atentamente estas instrucciones antes del uso y archívelas en un lugar seguro.

Si entrega este aparato a otros usuarios, no olvide incluir las instrucciones.

1.1 Instrucciones de seguridad

1.1.1 Estructura de las instrucciones de seguridad



PALABRA DE ADVERTENCIA Tipo de peligro

Mediante este tipo de palabras se explican las posibles consecuencias en caso de desobedecimiento de las instrucciones de seguridad.

► Aquí se proponen las medidas necesarias para evitar el peligro.

1.1.2 Símbolos, tipo de peligro

Símbolo	Tipo de peligro
	Lesión
	Electrocución
	Quemaduras (quemaduras, escaldadura)

1.1.3 Palabras de advertencia

PALABRA DE ADVERTENCIA	Significado
PELIGRO	Indicaciones cuyo desobedecimiento tiene como consecuencia lesiones graves o la muerte.
ADVERTENCIA	Indicaciones cuyo desobedecimiento puede tener como consecuencia lesiones graves o la muerte.
PRECAUCIÓN	Indicaciones cuyo desobedecimiento puede tener como consecuencia lesiones de gravedad media o baja.

1.2 Otras marcas presentes en esta documentación



Nota

Las indicaciones generales se señalizan mediante el símbolo adyacente.

► Lea atentamente las indicaciones.

Símbolo	Significado
	Daños materiales (daños en el aparato, indirectos, medioambientales)
	Eliminación del aparato

► Este símbolo le indica que usted tiene que hacer algo. Se describen paso a paso las medidas necesarias.

1.3 Unidades de medida



Nota

Si no se indica lo contrario, todas las dimensiones estarán expresadas en milímetros.

2. Seguridad

2.1 Utilización conforme a las prescripciones

El aparato a presión sirve para calentar agua potable o para recalentar agua previamente calentada. El aparato puede alimentar uno o varios puntos de dispensado.

El aparato está previsto para utilizarse en un ámbito doméstico. Las personas no instruidas lo pueden manejar de forma segura. El aparato puede utilizarse igualmente en ámbitos que no sean domésticos, como en pequeñas empresas, siempre que se maneje del mismo modo.

Cualquier otro uso distinto al aquí previsto se considera un uso indebido. Se considera uso previsto el cumplimiento de estas instrucciones, así como las instrucciones de los accesorios utilizados.

2.2 Instrucciones generales de seguridad



PRECAUCIÓN Quemaduras

Los grifos/válvulas pueden alcanzar temperaturas de hasta 60 °C. A temperaturas de salida superiores a 43 °C existe peligro de escaldamiento.



PRECAUCIÓN Quemaduras

La temperatura del agua caliente puede ser distinta de la temperatura de referencia ajustada en un funcionamiento con agua precalentada; p. ej., un sistema de calefacción solar.



ADVERTENCIA Lesiones

El aparato puede ser utilizado por niños de a partir de 3 años, así como por personas con capacidades físicas, sensoriales o mentales limitadas, o con falta de experiencia y conocimientos, solo bajo la vigilancia de otra persona o si antes han recibido instrucciones sobre el uso seguro del aparato y han comprendido los peligros que pueden derivarse. No deje que los niños jueguen con el aparato. Las tareas de limpieza y mantenimiento propias del usuario no deben ser realizadas por niños sin vigilancia.

En caso de que niños u otras personas con capacidades físicas, sensoriales o mentales limitadas utilicen el aparato, recomendamos una limitación de temperatura permanente. La limitación puede realizarla un profesional técnico especializado.



Daños materiales

El usuario debe proteger el aparato y los grifos/válvulas frente a la formación de escarcha.

2.3 Sello de certificación

Véase la placa de especificaciones técnicas en el aparato.

3. Descripción del aparato

El calentador instantáneo con regulación electrónica con adaptación automática de la potencia mantiene constante la temperatura de salida hasta el límite de rendimiento. Posteriormente, la temperatura se selecciona mediante la grifería de dispensado.

Sistema de calefacción

El sistema de calefacción de cables desnudos tiene una capa de plástico estanca a la presión. El sistema de calefacción es apto para agua tanto pobre como rica en cal, ya que es resistente a la acumulación de cal. El sistema de calefacción abastece agua caliente de forma rápida y eficaz.



Nota

El aparato está equipado con un sistema de detección de aire que evita que se produzcan daños en el sistema de calefacción. Si durante el funcionamiento entra aire en el aparato, el aparato desconectará la potencia de calefacción durante un minuto, con lo que protegerá el sistema de calefacción.

4. Ajustes

Puede ajustar la temperatura de salida del agua caliente mediante la regulación continua. Se mostrará la temperatura seleccionada. A temperaturas superiores a 43 °C, el color de la indicación cambia de azul a rojo para advertir del peligro de escaldamiento.



► Gire el selector a la temperatura deseada.



Nota

Si con la válvula de dispensado totalmente abierta y la configuración de temperatura al máximo no se alcanza una temperatura de salida suficiente, a través del aparato fluirá un caudal de agua mayor que el que el sistema de calefacción es capaz de calentar (aparato en el límite de potencia).

► Reduzca el caudal de agua en la válvula de dispensado.

4.1 Recomendación de ajuste

Valvulería del termostato

Su calentador instantáneo asegura la máxima precisión y el máximo confort en la preparación de agua caliente. Si a pesar de ello utiliza el aparato con una valvulería de termostato, le recomendamos que:

► Configure la temperatura nominal del aparato a más de 50 °C. Ajuste la temperatura de referencia deseada en la valvulería del termostato.

Tras interrumpir el abastecimiento de agua



Daños materiales

Para que el sistema de calefacción de cables desnudos no se destruya tras interrumpir el abastecimiento de agua, el aparato se tiene que volver a poner en marcha con los pasos siguientes.

- Desenergice el aparato desconectando los fusibles.
- Abra el grifo durante un minuto hasta que no quede aire en el aparato ni en la tubería de suministro de agua fría conectada antes.
- Vuelva a encender la alimentación eléctrica.

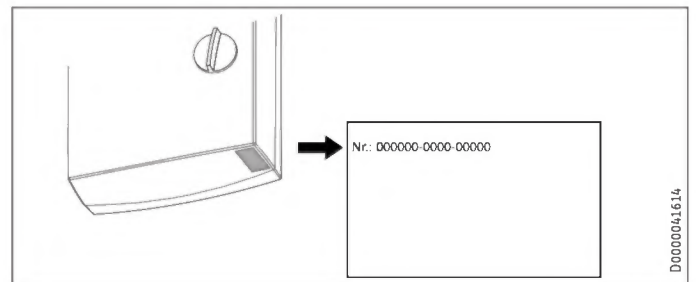
5. Limpieza, conservación y mantenimiento

- No utilice detergentes agresivos ni disolventes. Para conservar y limpiar el aparato basta con utilizar un paño húmedo.
- Revise la grifería/valvulería periódicamente. La cal en las tomas de grifos puede eliminarse utilizando los productos antical disponibles en el mercado.

6. Resolución de problemas

Problema	Causa	Solución
El aparato no se enciende a pesar de que la válvula de agua caliente está completamente abierta.	No hay tensión.	Revise los fusibles de la caja de fusibles doméstica.
	Caudal insuficiente. El regulador de chorro en el grifo o el cabezal de la ducha presentan cal o están sucios.	Limpie y/o elimine la cal del regulador de chorro o del cabezal de la ducha.
No se alcanza la temperatura deseada > 45 °C.	El abastecimiento de agua está interrumpido.	Purgue el aire del aparato y del tubo de alimentación de agua fría (consulte el capítulo "Configuración").
	La temperatura de admisión del agua fría es > 45 °C.	Reduzca la temperatura de admisión del agua fría.

Si no puede solucionar la causa, llame al profesional técnico especializado. Para poder ayudarlo mejor y con mayor rapidez, indique el número de la placa de especificaciones técnicas (000000-0000-00000).



INSTALACIÓN

7. Seguridad

La instalación, la puesta en marcha y el mantenimiento y reparación del aparato deben ser realizados exclusivamente por un profesional técnico especializado.

7.1 Instrucciones generales de seguridad

Solo garantizamos un nivel óptimo de funcionalidad y de seguridad y fiabilidad de funcionamiento si se utilizan accesorios y piezas de repuesto originales específicos para el aparato.

Presión de flujo

Si el caudal para encender el aparato no es suficiente incluso con el grifo abierto, desmonte el limitador de caudal y reemplácelo por la arandela de forma de plástico que se suministra.

Si fuera necesario puede aumentar también la presión de la instalación de agua.



Nota

Para que la valvulería del termostato funcione correctamente no debe sustituir el limitador de caudal de esta valvulería por la arandela de forma de plástico.



Daños materiales

Tenga en cuenta la temperatura máxima de admisión. El aparato se puede dañar si la temperatura es elevada. Instalando una válvula termostática central puede limitar la temperatura máxima de admisión.



ADVERTENCIA Electrocución

Este aparato contiene condensadores que se descargan tras ser separados de la red de corriente. La tensión de descarga del condensador puede, en su caso, ser de > 60 V DC a corto plazo.

7.2 Modo de ducha



PRECAUCIÓN Quemaduras

► Cuando se suministre agua a una ducha, ajuste la limitación de temperatura interna en "Tred" (consulte el capítulo "Alternativas de montaje / Limitación de temperatura").



PRECAUCIÓN Quemaduras

Cuando se suministre agua precalentada al aparato, tenga en cuenta lo siguiente:

Se puede sobrepasar la limitación de temperatura ajustable internamente.

► Limite la temperatura con una valvulería de termostato central conectada antes.

7.3 Reglamentos, normas y disposiciones



Nota

Observe todos los reglamentos y disposiciones nacionales y regionales.

- El tipo de protección IP 25 (protección frente a salpicaduras de agua) solo se garantiza con un manguito de cable montado conforme a la normativa vigente.
- La resistencia eléctrica específica del agua no debe ser menor que la indicada en la placa de especificaciones técnicas. En una red colectiva de agua debe tenerse en cuenta la resistencia eléctrica mínima del agua (consulte el capítulo "Especificaciones técnicas / Ámbitos de aplicación / Tabla de conversión"). Puede consultar cuál es la resistencia eléctrica específica o la conductividad eléctrica del agua a su compañía de aguas.

8. Descripción del aparato

8.1 Ámbito de suministro

El suministro del aparato incluye:

- Enganche de pared
- Pernos roscados para enganche de pared
- Plantilla de montaje
- 2 racores dobles (agua fría con válvula de cierre)
- Juntas planas
- Manguito del cable (cable de alimentación eléctrica arriba/abajo)
- Tornillos/tacos para fijación en pared en conexión de agua vista

Para el cambio del aparato:

- 2 prolongaciones de grifo

9. Preparativos

9.1 Lugar de montaje



Daños materiales

La instalación del aparato solo debe realizarse en habitaciones resguardadas de la escarcha.

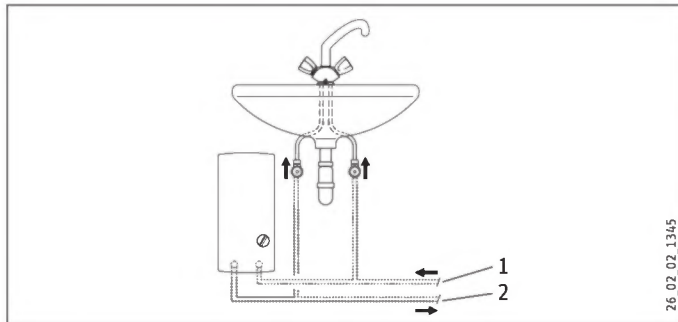
- Monte el aparato en posición vertical y cerca del punto de dispensado.

El aparato se puede montar sobre una mesa y bajo mesa.

INSTALACIÓN

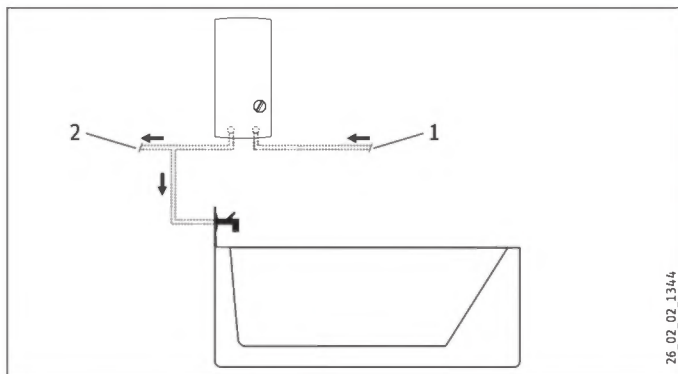
Montaje

Montaje bajo mesa



- 1 Alimentación del agua fría
- 2 Salida de agua caliente

Montaje sobre una mesa



- 1 Alimentación del agua fría
- 2 Salida de agua caliente



Nota

- Monte el aparato en la pared. La pared debe tener una capacidad portante suficiente.

9.2 Instalación de agua

- No se requiere válvula de seguridad.
- ¡No está permitido instalar válvulas de seguridad en la tubería de agua caliente!
- Lave a fondo la tubería de agua.
- Asegúrese de que se alcance el caudal necesario (consulte el capítulo "Especificaciones técnicas / Tabla de especificaciones") para que se encienda el aparato. Si no se alcanza el caudal, retire el limitador de caudal (consulte el capítulo "Montaje / Retirada del limitador de caudal").
- Aumente la presión de la tubería de agua si no se alcanza el caudal necesario con la válvula de dispensado completamente abierta.

Grifería/valvulería

Utilice valvulería de presión adecuada. No se admite grifería/valvulería abierta.



Nota

No debe utilizar la válvula de cierre en la alimentación del agua fría para reducir el caudal. Sirve para bloquear el aparato.

Materiales admisibles para las tuberías de agua

- Tubería de suministro de agua fría: tubos de acero galvanizados en caliente, tubos de acero inoxidable, tubos de cobre o tubos de plástico
- Tubería de suministro de agua caliente: tubos de acero inoxidable, tubos de cobre o tubos de plástico



Daños materiales

Si utiliza sistemas de tuberías de plástico, tenga presente la temperatura de admisión máxima y la presión máxima admisible (consulte el capítulo "Especificaciones técnicas / Tabla de especificaciones").

Tuberías de conexión de agua flexibles

- En las instalaciones con tuberías flexibles de conexión de agua, evite que los tubos acodados con conexiones de bayoneta giren de forma indebida en el aparato.
- Fije la pared posterior inferior utilizando dos tornillos adicionales.

10. Montaje

10.1 Montaje estándar

- Empalme eléctrico arriba, instalación oculta
- Conexión de agua, instalación oculta
- PEO 18/21/24: potencia conectada media preconfigurada

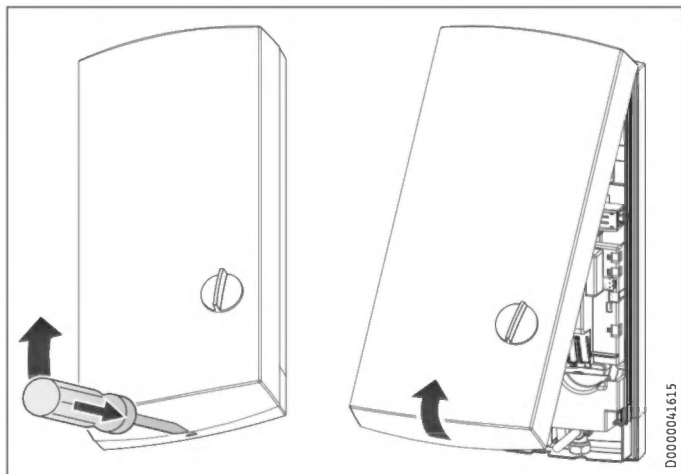
Otras opciones de montaje disponibles en el capítulo "Alternativas de montaje".

- Empalme eléctrico oculto abajo
- Empalme eléctrico visto
- Conexión de un controlador automático de máxima demanda
- Instalación de agua vista
- Conexión de agua oculta en un cambio de aparato
- Funcionamiento con agua precalentada
- Límite de temperatura

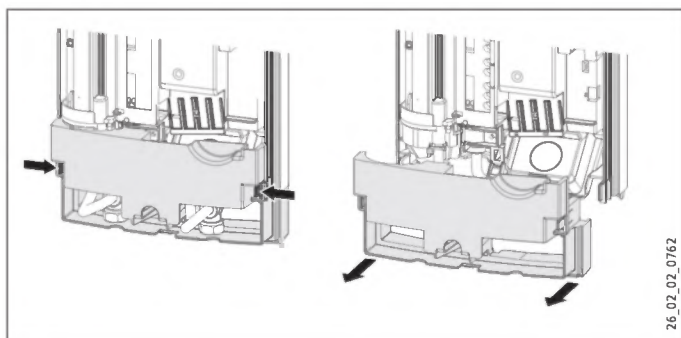
INSTALACIÓN

Montaje

Apertura del aparato

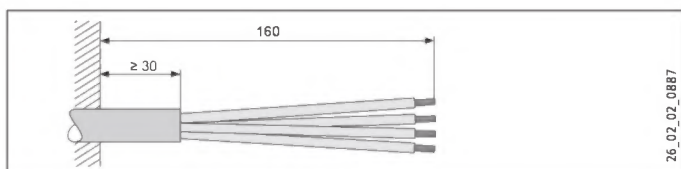


- ▶ Abra el aparato desbloqueando el cierre de inserción.

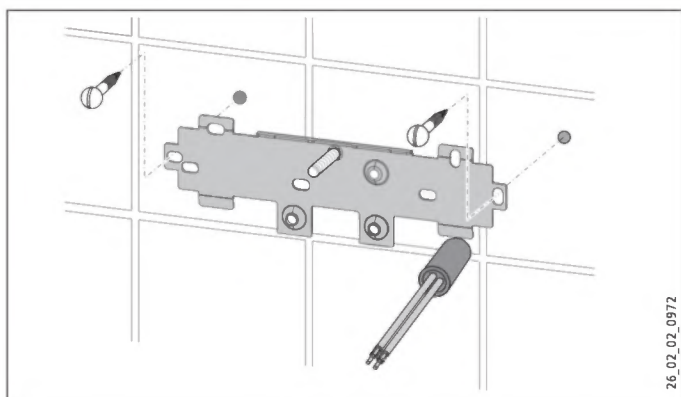


- ▶ Separe la pared posterior apretando los dos ganchos de enclavamiento y retirando la parte inferior de la pared posterior hacia adelante.

Preparación del cable de conexión a la red eléctrica

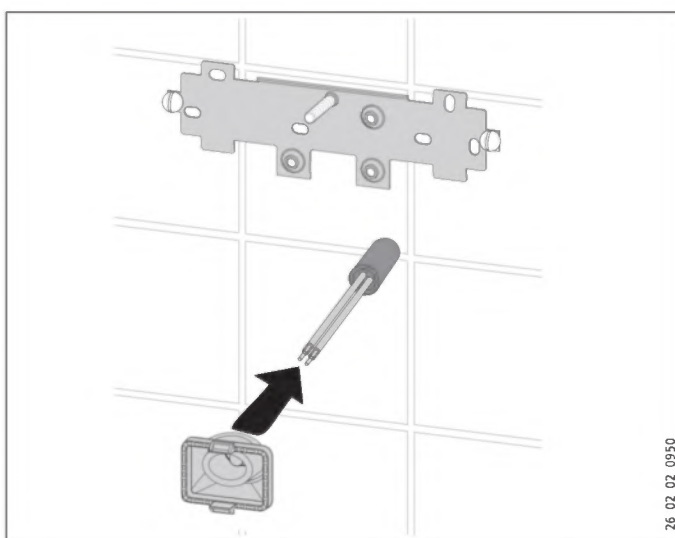


Montaje del enganche de pared



- ▶ Marque los orificios de taladrado con ayuda del patrón de montaje. En el montaje con conexiones de agua vistas, deberá marcar también los orificios de fijación en la parte inferior del patrón.
- ▶ Taladre los orificios y fije el enganche de pared utilizando 2 tornillos y 2 tacos (ni los tornillos ni los tacos vienen incluidos en el ámbito de suministro).
- ▶ Monte los pernos roscados adjuntos.
- ▶ Monte el enganche de pared.

Montaje del manguito del cable



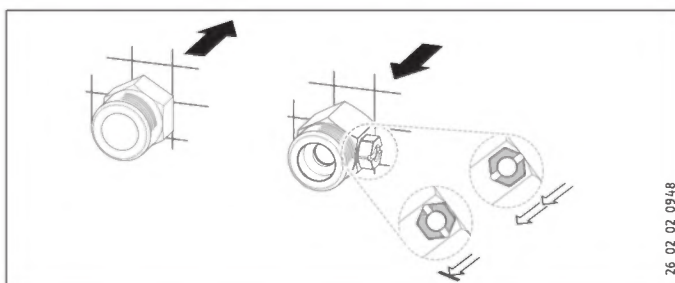
- ▶ Monte el manguito del cable. Si el cable de conexión es de $> 6 \text{ mm}^2$, aumente la perforación del manguito del cable.

Establecimiento de la conexión de agua



Daños materiales

Realice todos los trabajos de conexión e instalación hidráulicos conforme a la normativa vigente.



- ▶ Obture y enrosque los racores dobles.



Daños materiales

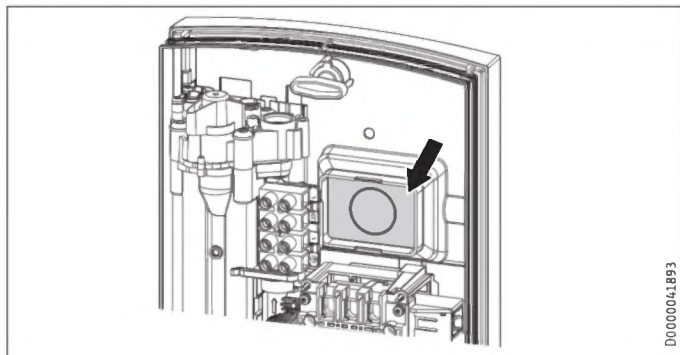
No debe utilizar la válvula de cierre en la alimentación del agua fría para reducir el caudal.

Preparación de la pared posterior



Daños materiales

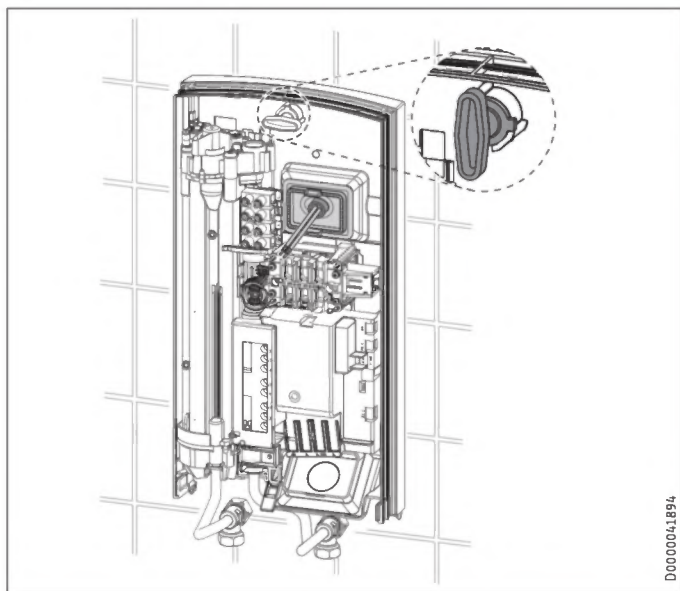
Si por accidente rompe un agujero incorrecto en la pared posterior, tendrá que usar una pared posterior nueva.



D0000041893

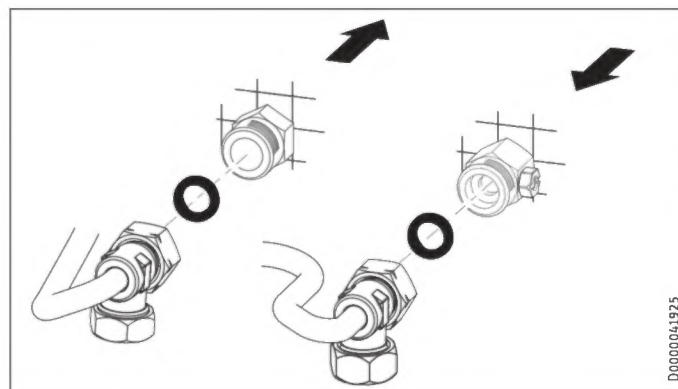
- ▶ Abra el punto predeterminado de rotura para el manguito del cable en la pared posterior. Si es necesario, elimine la rebaba de los cantos afilados con una lima.

Montaje del aparato



D0000041894

- ▶ Coloque la pared posterior sobre los pernos roscados y el manguito del cable. Tire del manguito del cable con ayuda de unas tenazas por los ganchos de enclavamiento hacia la pared posterior hasta que oiga los dos ganchos de enclavamiento enclavarse.
- ▶ Extraiga los toques de protección para el transporte de las conexiones de agua.
- ▶ Presione con firmeza la pared posterior y bloquee la palanca de fijación mediante un giro a la derecha de 90°.



D0000041925

- ▶ Enrosque los tubos de conexión de agua con las juntas planas en los racores dobles.



Daños materiales

Para asegurar el funcionamiento del aparato, el filtro deberá haberse montado.

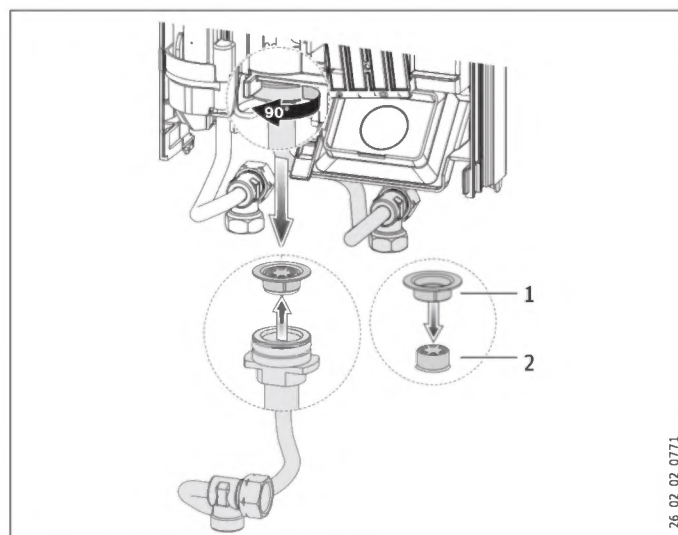
- ▶ Compruebe durante la sustitución del aparato si hay un filtro (consulte el capítulo "Mantenimiento").

Retirada del limitador de caudal



Daños materiales

Si usa una válvula de termostato, no se podrá retirar el limitador de caudal.



26_02_02_0771

- 1 Arandela perfilada de plástico
- 2 Limitador de caudal

- ▶ Retire el limitador de caudal y vuelva a colocar la arandela perfilada de plástico.

INSTALACIÓN

Montaje

Establecimiento del empalme eléctrico

⚡ ADVERTENCIA Electrocutación
Realice todos los trabajos de conexión e instalación eléctricos de conformidad con la normativa vigente.

⚡ ADVERTENCIA Electrocutación
La conexión a la red eléctrica solo está permitida si la conexión es fija, en combinación con el manguito del cable extraíble. El aparato debe poder desconectarse omnipolarmente de la red eléctrica mediante una separación de al menos 3 mm.

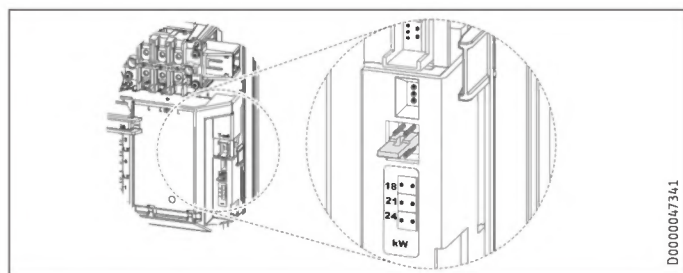
⚡ ADVERTENCIA Electrocutación
Asegúrese de que el aparato esté conectado al conductor de puesta a tierra.

! Daños materiales
Observe la placa de especificaciones técnicas. La tensión indicada debe coincidir con la tensión de red disponible.

- ▶ Conecte el cable de alimentación eléctrica al borne de conexión a la red eléctrica (consulte el capítulo "Especificaciones técnicas / Esquema de conexiones eléctricas").

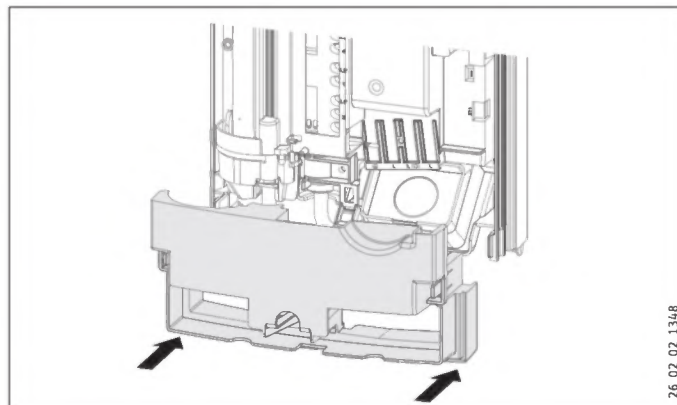
PEO 18/21/24: Cambio de la tarjeta de codificación

En el momento de la entrega, el aparato está conectado a 21 kW. En caso de conmutarlo a otra potencia conectada, deberá seguir los siguientes pasos:



- ▶ Cambie la conexión de la tarjeta de codificación conforme a la potencia conectada seleccionada (la potencia conectada disponible y la protección del aparato figuran en el capítulo "Especificaciones técnicas / Tabla de especificaciones").
- ▶ Marque con una cruz la potencia conectada seleccionada en la placa de especificaciones técnicas. Use para ello un bolígrafo.

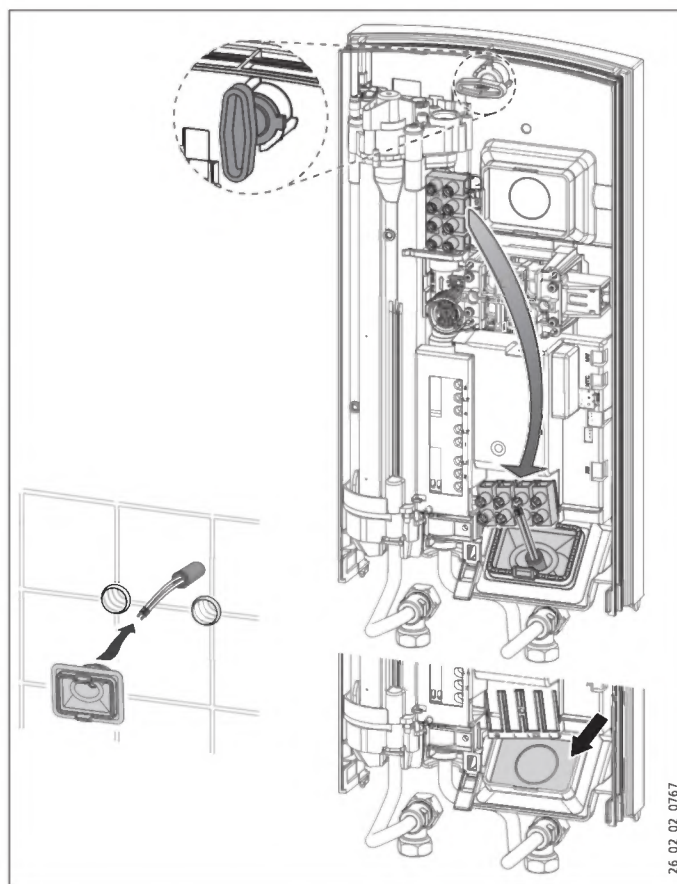
Montaje de la parte inferior de la pared posterior



- ▶ Monte la parte inferior de la pared posterior en la pared posterior y enclave la parte inferior de la pared posterior.
- ▶ Posicione el aparato montado soltando la palanca de fijación, posicionando el empalme eléctrico y la pared posterior, y volviendo a girar la palanca de fijación para fijar. Si la pared posterior del aparato no queda pegada a la pared, puede fijar el aparato por debajo mediante dos tornillos adicionales.

10.2 Alternativas de montaje

10.2.1 Empalme eléctrico oculto abajo



- ▶ Monte el manguito del cable.



Daños materiales

Si por accidente rompe un agujero incorrecto en la pared posterior, tendrá que usar una pared posterior nueva.

- ▶ Abra el punto predeterminado de rotura para el manguito del cable en la pared posterior. Si es necesario, elimine la rebaba de los cantos afilados con una lima.
- ▶ Desplace el borne de conexión a la red eléctrica del aparato desde arriba hacia abajo.
- ▶ Coloque la pared posterior sobre los pernos roscados y el manguito del cable. Tire del manguito del cable con ayuda de unas tenazas por los ganchos de enclavamiento hacia la pared posterior hasta que oiga los dos ganchos de enclavamiento enclavarse.
- ▶ Presione con firmeza la pared posterior y bloquee la palanca de fijación mediante un giro a la derecha de 90°.

10.2.2 Empalme eléctrico visto



Nota

El tipo de protección del aparato se modifica con este tipo de conexión.

- ▶ Modifique la placa de especificaciones técnicas. Tache la indicación IP 25 y marque con una cruz la casilla IP 24. Use para ello un bolígrafo.



Daños materiales

Si por accidente rompe un agujero incorrecto en la pared posterior, tendrá que usar una pared posterior nueva.

- ▶ Efectúe los orificios necesarios en la pared posterior del aparato recortándolos o rompiéndolos limpiamente (consulte las posiciones en el capítulo "Especificaciones técnicas / Medidas y conexiones"). Si es necesario, elimine la rebaba de los cantos afilados con una lima.
- ▶ Pase el cable de alimentación eléctrica a través del manguito del cable y conéctelo al borne de conexión a la red eléctrica.

10.2.3 Conexión de un controlador automático de máxima demanda

Instale un controlador automático de máxima demanda en combinación con otros equipos eléctricos como, por ejemplo, calefactores de acumulador eléctricos, en el circuito de distribución eléctrica. El control de máxima demanda se realiza durante el funcionamiento del calentador instantáneo.



Daños materiales

Conecte la fase que conmuta el controlador automático de máxima demanda al terminal señalado del borne de conexión a la red eléctrica del aparato (consulte el capítulo "Especificaciones técnicas / Esquema de conexiones eléctricas").

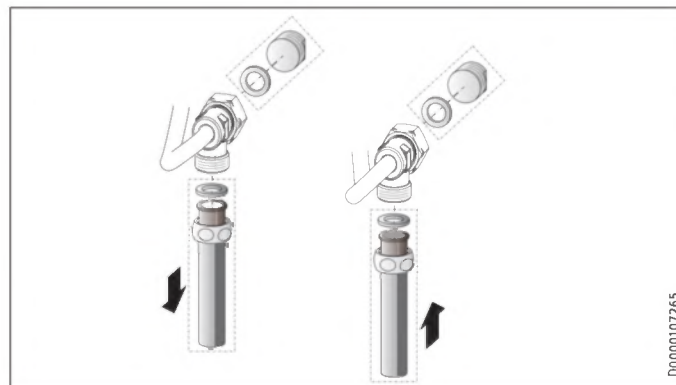
10.2.4 Instalación de agua vista



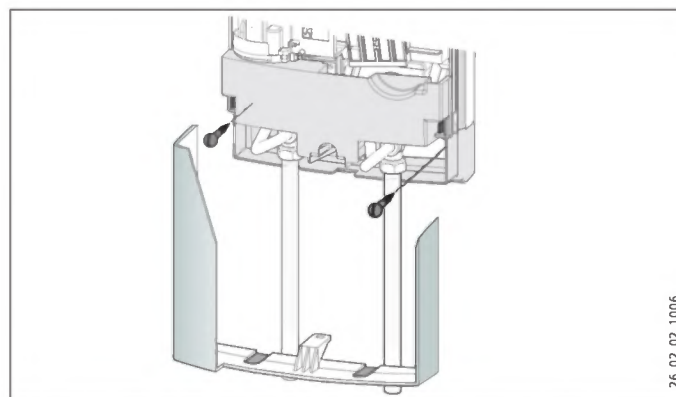
Nota

El tipo de protección del aparato se modifica con este tipo de conexión.

- ▶ Modifique la placa de especificaciones técnicas. Tache la indicación IP 25 y marque con una cruz la casilla IP 24. Use para ello un bolígrafo.



- ▶ Monte los tapones de agua con juntas para sellar la conexión oculta.
- ▶ Monte una valvulería de presión adecuada.



- ▶ Fije la pared posterior inferior utilizando dos tornillos adicionales.
- ▶ Inserte la parte inferior de la pared posterior bajo los tubos de conexión del grifo/válvula y encaje la parte inferior de la pared posterior.
- ▶ Enrosque los tubos de empalme al aparato.



Daños materiales

Si por accidente rompe un agujero incorrecto en la tapa del aparato, tendrá que usar una tapa de aparato nueva.

- ▶ Rompa limpiamente los pasos de la tapa del aparato. Si es necesario, elimine la rebaba de los cantos afilados con una lima.

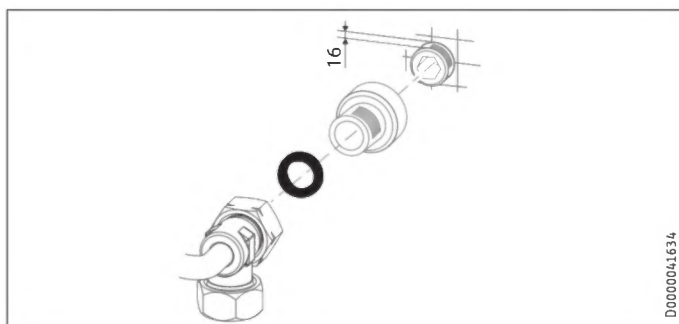
10.2.5 Instalación de agua oculta en un cambio de aparato

En caso de que el racor doble disponible del aparato antiguo solo sobresalga unos 16 mm de la pared, no podrá utilizar el racor doble incluido en el suministro.



Nota

En esta conexión, el bloqueo de la alimentación de agua fría solo es posible en la instalación doméstica.



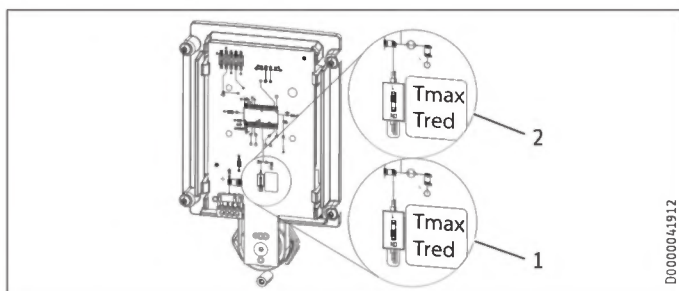
D0000041634

- ▶ Obture y enrosque las prolongaciones de grifo adjuntas.
- ▶ Conecte el aparato.

10.2.6 Funcionamiento con agua precalentada

Instalando una válvula termostática central se limita la temperatura máxima de admisión.

10.2.7 Límite de temperatura



D0000041912

- 1 Posición "Tred" (55 °C): Límite de temperatura
 - 2 Posición "Tmax": Sin limitación de temperatura (consulte en el capítulo "Especificaciones técnicas / Tabla de especificaciones" el rango de ajuste de temperatura).
- ▶ Extraiga la tapa del aparato.
 - ▶ Desplace el interruptor hacia la posición deseada.
 - ▶ Monte la tapa del aparato.



PRECAUCIÓN Quemaduras

Durante el funcionamiento con agua precalentada, el límite de temperatura ajustado puede ser ineficaz.

- ▶ En tal caso, limite la temperatura en la valvulería del termostato central conectada antes.

10.3 Últimos pasos de montaje

- ▶ Abra la válvula de cierre en el racor doble o en el tubo de alimentación de agua fría.

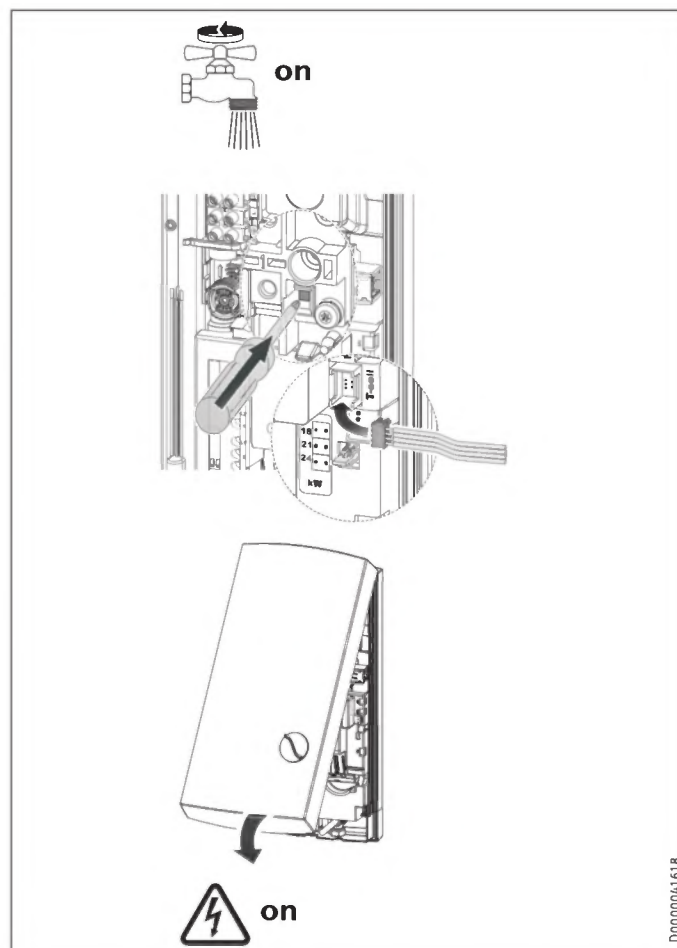
11. Puesta en marcha



ADVERTENCIA Electrocutación

La puesta en marcha solo debe ser realizada por un profesional técnico especializado, observando la normativa de seguridad.

11.1 Primera puesta en marcha



D0000041618

- ▶ Abra y cierre varias veces todas las válvulas de dispensado conectadas hasta que no quede aire en la red de tuberías y el aparato.
- ▶ Realice una inspección de estanqueidad.
- ▶ Active el limitador de presión de seguridad presionando con fuerza el botón de reset (el aparato viene con el limitador de presión de seguridad desactivado de fábrica).
- ▶ Inserte el conector del cable de configuración de la temperatura en la conexión electrónica.
- ▶ Monte la tapa del aparato hasta que se enclave de forma audible. Verifique el asiento de la tapa del aparato.
- ▶ Encienda la alimentación eléctrica.
- ▶ Compruebe el funcionamiento del aparato.

Entrega del aparato a terceras personas

- ▶ Explique al usuario el funcionamiento del aparato y haga que se familiarice con el uso del mismo.
- ▶ Indique al usuario los posibles peligros existentes, en particular en relación al peligro de escaldamiento.
- ▶ Entregue este manual.

11.2 Nueva puesta en marcha

Purgue el aire del aparato y del tubo de alimentación de agua fría (consulte el capítulo "Configuración").

Consulte el capítulo "Primera puesta en marcha".

12. Puesta fuera de servicio

- ▶ Desconecte el aparato omnipolarmente de la conexión a la red eléctrica.
- ▶ Drene el aparato (consulte el capítulo "Mantenimiento").

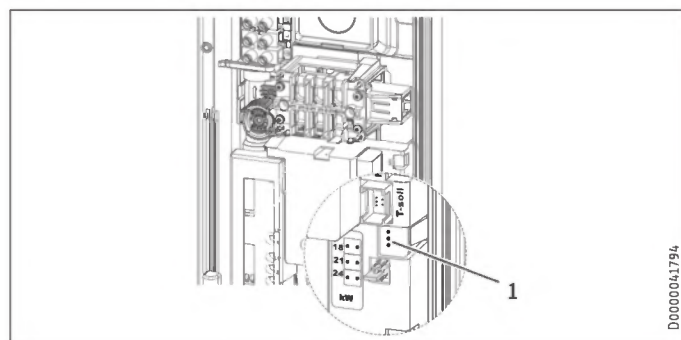
13. Localización y reparación de averías



ADVERTENCIA Electrocutación
Para poder comprobar el aparato, este deberá estar energizado.

Posibilidades de indicación del semáforo de diagnóstico (LED)

	rojo	se ilumina en caso de avería
	amarillo	se ilumina durante el funcionamiento en modo calefacción
	verde	parpadeo: el aparato está conectado a la red eléctrica



1 Indicador de diagnóstico

Avería / indicación del semáforo de diagnóstico LED	Causa	Solución
Caudal insuficiente.	El filtro del aparato está sucio.	Limpie el filtro.
No se alcanza la temperatura de referencia.	Falta una fase.	Revise el fusible de la caja de fusibles doméstica.
La calefacción no se enciende.	Se detecta aire en el agua y por ello se apaga brevemente la potencia de calefacción.	El aparato vuelve a ponerse en marcha después de transcurrir un minuto.
No sale agua caliente y no se indica nada en el semáforo.	El fusible se ha disparado.	Revise el fusible de la caja de fusibles doméstica.
	El limitador de presión de seguridad AP 3 se ha apagado.	Repare la causa de la avería (por ejemplo, en caso de dispositivo de lavado a presión defectuoso). Proteja el sistema de calefacción contra el sobrecalentamiento abriendo durante un minuto una válvula de dispensado conectada después del aparato. Así se despresurizará el sistema de calefacción y se enfriará. Active el limitador de presión de seguridad durante la presión de fuga pulsando el botón de reset (consulte el capítulo "Primera puesta en marcha").
	El sistema electrónico está defectuoso.	Examine el sistema electrónico y cámbielo si es necesario.
Indicación de semáforo: verde parpadeante o con luz fija	El sistema electrónico está defectuoso.	Examine el sistema electrónico y cámbielo si es necesario.
No sale agua caliente con un caudal > 2,5 l/min.	La medición de caudal DFE no está acoplada.	Vuelva a conectar el conector de medición de caudal.
	La medición de caudal DFE está defectuosa.	Compruebe la medición de caudal y cámbiela si es necesario.
Indicación de semáforo: amarillo con luz fija, verde intermitente	El limitador de temperatura de seguridad se ha disparado o desconectado.	Compruebe el limitador de temperatura de seguridad y cámbielo si es necesario.
No sale agua caliente con un caudal > 3 l/min.	El sistema de calefacción está defectuoso.	Mida la resistencia del sistema de calefacción y cambie la resistencia si es necesario.
	El sistema electrónico está defectuoso.	Examine el sistema electrónico y cámbielo si es necesario.
Indicación de semáforo: amarillo con luz fija, verde intermitente	El sensor de salida se ha retirado o hay una rotura de cable.	Inserte el sensor de salida y cámbielo si es necesario.
Indicación de semáforo: rojo con luz fija, verde intermitente	El sensor de agua fría está averiado.	Examine el sistema electrónico y cámbielo si es necesario.
No hay agua caliente La temperatura deseada > 45 °C no se ha alcanzado.	La temperatura de admisión del agua fría es superior a 45 °C.	Reduzca la temperatura de admisión del agua fría suministrada al aparato.
Indicación de semáforo: rojo con luz fija, verde intermitente	El sensor de salida está averiado (cortocircuito).	Examine el sensor de salida y cámbielo si es necesario.

14. Mantenimiento



ADVERTENCIA Electrocutación
Siempre que desee realizar cualquier tarea en el aparato, debe desconectarlo omnipolarmente de la conexión a la red eléctrica.

Vaciado del aparato

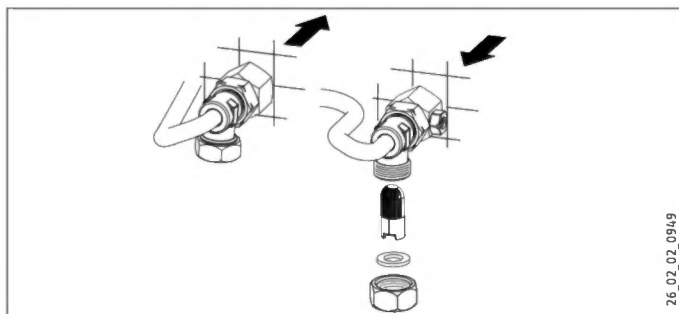
Puede drenar el aparato para los trabajos de mantenimiento.



ADVERTENCIA Quemaduras
Durante el drenaje del aparato puede salir agua caliente.

- ▶ Cierre la válvula de cierre en el racor doble o en el tubo de alimentación de agua fría.
- ▶ Abra todas las válvulas de dispensado.
- ▶ Desenrosque las conexiones de agua del aparato.
- ▶ Guarde el aparato desmontado resguardado de la escarcha, ya que hay agua residual en su interior que puede congelarse y causar daños en el aparato.

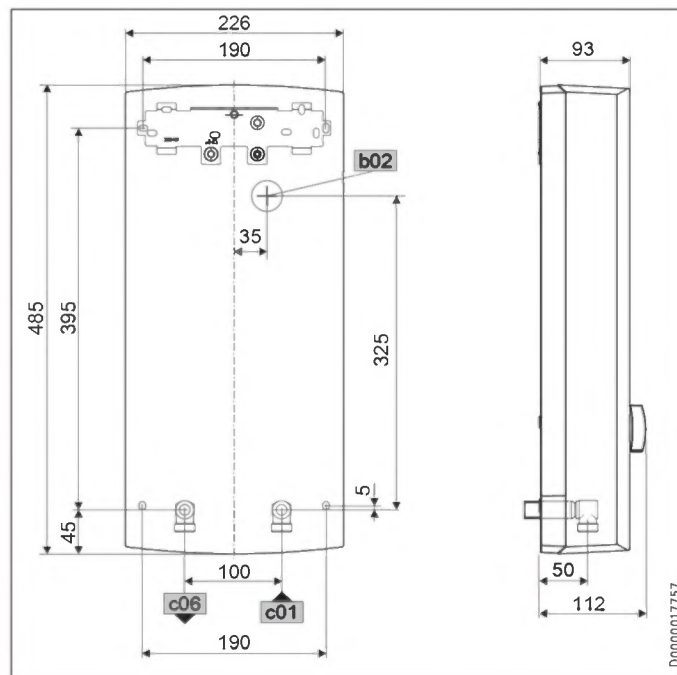
Limpeza del filtro



Limpe el filtro en la unión de tornillo del agua fría si está sucio. Cierre la válvula de cierre en el tubo de alimentación de agua fría antes de desmontar el filtro, de limpiarlo y de volverlo a montar.

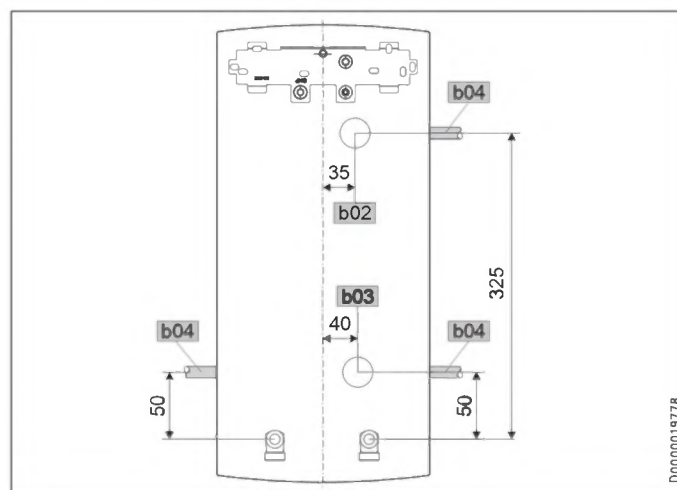
15. Especificaciones técnicas

15.1 Dimensiones y conexiones



b02	Tendido de cableado eléctrico I		
c01	Alimentación del agua fría	Rosca exterior	G 1/2 A
c06	Salida de agua caliente	Rosca exterior	G 1/2 A

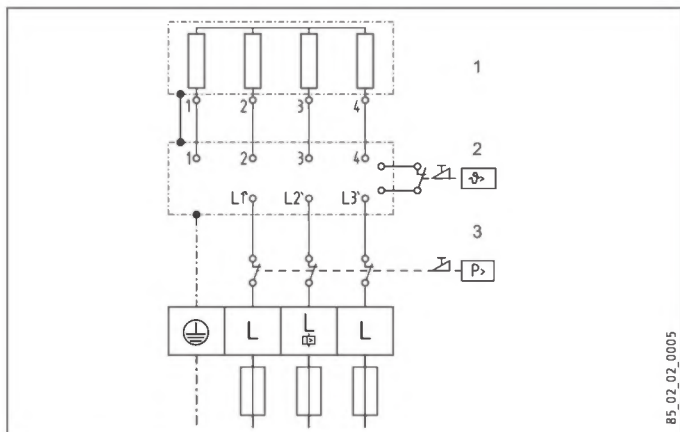
Posibilidades de conexión alternativas



b02	Tendido de cableado eléctrico I		
b03	Tendido de cableado eléctrico II		
b04	Tendido de cableado eléctrico III		

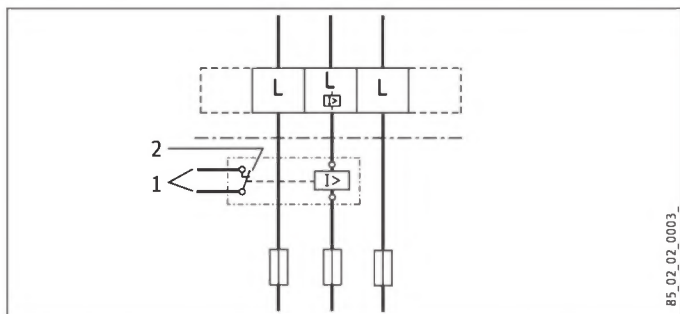
15.2 Esquema de conexiones eléctricas

3/PE ~ 380-415 V



- 1 Calefacción
- 2 Limitador de temperatura de seguridad
- 3 Limitador de presión de seguridad

Control de prioridad con LR 1-A



- 1 Cable de mando para el contactor de conmutación del segundo aparato (p. ej., aparato de calefacción de almacenamiento eléctrico).
- 2 El contacto de control se abre al encender el calentador instantáneo.

15.3 Rendimiento de agua caliente

El rendimiento de agua caliente depende de la tensión de red existente, la potencia conectada del aparato y la temperatura de admisión del agua fría. Podrá encontrar la tensión de alimentación y la potencia nominal en la placa de especificaciones técnicas (véase el capítulo "Resolución de problemas").

Potencia conectada en kW		38 °C de rendimiento de agua caliente en l/min				
Tensión de alimentación		Temperatura de suministro del agua fría				
380 V	400 V	415 V	5 °C	10 °C	15 °C	20 °C
16,2			7,0	8,3	10,1	12,9
19,0			8,2	9,7	11,8	15,1
21,7			9,4	11,1	13,5	17,2
	18,0		7,8	9,2	11,2	14,3
	21,0		9,1	10,7	13,0	16,7
	24,0		10,4	12,2	14,9	19,0
		19,4	8,4	9,9	12,0	15,4
		22,6	9,8	11,5	14,0	17,9
		25,8	11,2	13,2	16,0	20,5
24,4			10,6	12,4	15,2	19,4
	27,0		11,7	13,8	16,8	21,4

Potencia conectada en kW		50 °C de rendimiento de agua caliente en l/min				
Tensión de alimentación		Temperatura de suministro del agua fría				
380 V	400 V	415 V	5 °C	10 °C	15 °C	20 °C
16,2			5,1	5,8	6,6	7,7
19,0			6,0	6,8	7,8	9,0
21,7			6,9	7,8	8,9	10,3
	18,0		5,7	6,4	7,3	8,6
	21,0		6,7	7,5	8,6	10,0
	24,0		7,6	8,6	9,8	11,4
		19,4	6,2	6,9	7,9	9,2
		22,6	7,2	8,1	9,2	10,8
		25,8	8,2	9,2	10,5	12,3
24,4			7,7	8,7	10,0	11,6
	27,0		8,6	9,6	11,0	12,9

15.4 Ámbitos de aplicación / Tabla de conversión

Resistencia eléctrica específica y conductividad eléctrica específica (consulte el capítulo "Tabla de especificaciones").

Indicación estándar a 15 °C		20 °C		25 °C				
Resistencia $\rho \geq$	Conductividad $\sigma \leq$	Resistencia $\rho \geq$	Conductividad $\sigma \leq$	Resistencia $\rho \geq$	Conductividad $\sigma \leq$			
$\Omega \text{ cm}$	mS/m	$\mu\text{S/cm}$	$\Omega \text{ cm}$	mS/m	$\mu\text{S/cm}$			
900	111	1111	800	125	1250	735	136	1361
1000	100	1000	890	112	1124	815	123	1227
1200	83	833	1070	93	935	985	102	1015
1300	77	769	1175	85	851	1072	93	933

15.5 Pérdida de presión

Grifería/valvulería

Pérdida de presión de la grifería/valvulería a un caudal de 10 l/min		
Mezclador monomanual, aprox.	MPa	0,04 - 0,08
Valvulería del termostato, aprox.	MPa	0,03 - 0,05
Cabezal de ducha manual, aprox.	MPa	0,03 - 0,15

Dimensionado de la red de tuberías

Para calcular el dimensionado de la red de tuberías se recomienda una pérdida de presión de 0,1 MPa para el aparato.

15.6 Condiciones en caso de avería

En caso de avería pueden producirse en la instalación cargas breves de 95 °C como máximo a una presión de 1,2 MPa.

INSTALACIÓN

Especificaciones técnicas

15.7 Datos sobre el consumo energético

Hoja de datos del producto: calentador convencional según reglamento (UE) n.º 12/2013 | 814/2013

		PEO 18/21/24 233991	PEO 27 233992
Fabricante		STIEBEL ELTRON	STIEBEL ELTRON
Perfil de carga		S	S
Clase de eficiencia energética		A	A
Rendimiento energético	%	39	39
Consumo anual de corriente	kWh	477	481
Ajuste de temperatura de fábrica	°C	60	60
Nivel de potencia acústica	dB(A)	15	15
Notas especiales para medir la eficiencia		Datos en Pmax.	Medido con DMB 8,5 l/min
Consumo diario de corriente	kWh	2,198	2,220

15.8 Tabla de especificaciones

		PEO 18/21/24 233991	PEO 27 233992
Especificaciones eléctricas			
Tensión de alimentación	V	380	400
Potencia nominal	kW	16,2/19/21,7	18/21/24
Corriente nominal	A	27,6/29,5/33,3	29/31/35
Fusible	A	32/32/35	32/32/40
Frecuencia	Hz	50/60	50/60
Fases		3/PE	3/PE
Resistencia específica $\rho_{15} \geq$ (a $\vartheta_{frío} \leq 25$ °C)	Ω cm	900	900
Conductividad específica $\sigma_{15} \leq$ (a $\vartheta_{frío} \leq 25$ °C)	$\mu S/cm$	1111	1111
Resistencia específica $\rho_{15} \geq$ (a $\vartheta_{frío} \leq 45$ °C)	Ω cm	1200	1200
Conductividad específica $\sigma_{15} \leq$ (a $\vartheta_{frío} \leq 45$ °C)	$\mu S/cm$	833	833
Impedancia máx. de red a 50 Hz	Ω	0,284	0,270
Ejecuciones			
Sistema de calefacción con generador de calor		Alambre desnudo	Alambre desnudo
Bloque de aislamiento		Plástico	Plástico
Ajuste de temperatura	°C	30-60	30-60
Clase de protección		1	1
Tapa y pared posterior		Plástico	Plástico
Tipo de protección (IP)		IP25	IP25
Color		Blanco	Blanco
Conexiones			
Conexión de agua		G 1/2 A	G 1/2 A
Límites de utilización			
Presión máx. admisible	MPa	1	1
Temperatura de admisión máx. para postcalentamiento	°C	45	45
Valores			
Temperatura de admisión máx. admisible	°C	60	60
ON	l/min	>2,5	>2,5
Representación del ACS	l/min	9,4/11,0/12,6	14,2
$\Delta\vartheta$ en representación	K	26	26
Especificaciones hidráulicas			
Contenido nominal	l	0,4	0,4
Dimensiones			
Altura	mm	485	485
Anchura	mm	226	226
Profundidad	mm	93	93
Pesos			
Peso	kg	3,6	3,6



Nota

El aparato cumple la norma IEC 61000-3-12.

Garantía

Para los aparatos adquiridos fuera de Alemania no son aplicables las condiciones de garantía de nuestras sociedades alemanas. Además, en los países en los que alguna de nuestras filiales comercialice nuestros productos, la garantía sólo será otorgada por dicha filial. Este tipo de garantía únicamente se otorgará si la filial hubiera publicado unas condiciones de garantía propias. No se otorgará ninguna garantía adicional.

No otorgamos ninguna garantía para aquellos aparatos adquiridos en países en los que ninguna de nuestras filiales comercialicen nuestros productos. Cualquier garantía asegurada por el importador permanecerá inalterada.

Medio ambiente y reciclado

Colabore para proteger nuestro medio ambiente. Elimine los materiales después de su uso conforme a la normativa nacional vigente.

ZVLÁŠTNÍ POKYNY

OBSLUHA

1. Obecné pokyny	35
1.1 Bezpečnostní pokyny	35
1.2 Jiné symboly použité v této dokumentaci	35
1.3 Měrné jednotky	35
2. Zabezpečení	35
2.1 Správné používání	35
2.2 Všeobecné bezpečnostní pokyny	35
2.3 Kontrolní symbol	36
3. Popis přístroje	36
4. Nastavení	36
4.1 Doporučené nastavení	36
5. Čištění, péče a údržba	36
6. Odstranění problémů	36

INSTALACE

7. Zabezpečení	37
7.1 Všeobecné bezpečnostní pokyny	37
7.2 Provoz sprchy	37
7.3 Předpisy, normy a ustanovení	37
8. Popis přístroje	37
8.1 Rozsah dodávky	37
9. Příprava	37
9.1 Místo montáže	37
9.2 Vodovodní instalace	38
10. Montáž	38
10.1 Standardní montáž	38
10.2 Alternativy montáže	41
10.3 Dokončení montáže	42
11. Uvedení do provozu	43
11.1 První uvedení do provozu	43
11.2 Opětovné uvedení do provozu	43
12. Uvedení mimo provoz	43
13. Odstraňování poruch	43
14. Údržba	44
15. Technické údaje	45
15.1 Rozměry a přípojky	45
15.2 Schéma elektrického zapojení	45
15.3 Výkon teplé vody	45
15.4 Oblast použití / Převodní tabulka	46
15.5 Ztráty tlaku	46
15.6 Podmínky v případě poruchy	46
15.7 Údaje ke spotřebě energie	46
15.8 Tabulka údajů	47

ZÁRUKA

ŽIVOTNÍ PROSTŘEDÍ A RECYKLACE

ZVLÁŠTNÍ POKYNY

- Příklad: Přístroj smí používat děti od 3 let a osoby se sníženými fyzickými, sensorickými nebo mentálními schopnostmi nebo s nedostatkem zkušeností a znalostí pouze pod dozorem nebo po poučení o bezpečném používání přístroje a poté, co porozuměly nebezpečí, které z jeho používání plyne. Nenechávejte děti, aby si s přístrojem hrály. Čištění a užitelskou údržbu nesmějí provádět děti bez dozoru.
- Armatura může dosáhnout teploty až 60 °C. Pokud je teplota na výstupu vyšší než 43 °C, hrozí nebezpečí opaření.
- Příklad: Přístroj je vhodný k zásobování sprchy (provoz sprchy). Používá-li se přístroj také nebo výhradně pro provoz sprchy, musí autorizovaný servis aktivovat rozsah nastavení teplot přes omezení teploty (Tred = 55 °C) v přístroji. Při použití přehřáté vody je nutné zajistit, aby nebyla překročena vstupní teplota 55 °C.
- Příklad: Přístroj musí být možné odpojit od síťové přípojky na všech pólech na vzdálenost nejméně 3 mm.
- Uvedené napětí se musí shodovat s napájením.
- Příklad: Přístroj musí být připojen k ochrannému vodiči.
- Příklad: Přístroj musí být trvale připojen k pevné kabeláži.
- Upevněte přístroj způsobem popsaným v kapitole „Instalace / Montáž“.
- Dodržujte maximální dovolený tlak (viz kapitola „Instalace / Technické údaje / Tabulka s technickými údaji“).
- Nesmí být nedosažena hodnota měrného odporu vody z vodovodní sítě (viz kapitola „Instalace / Technické údaje / Tabulka s technickými údaji“).
- Vypusťte přístroj způsobem podle popisu v kapitole „Instalace / Údržba / Vypuštění přístroje“.

OBSLUHA

1. Obecné pokyny

Kapitoly „Zvláštní pokyny“ a „Obsluha“ jsou určeny uživateli a instalatérům a technikům.

Kapitola „Instalace“ je určena instalačním technikům.



Upozornění
Dříve, než zahájíte provoz, si pozorně přečtěte tento návod a pečlivě jej uschovejte.
Případně předejte návod dalšímu uživateli.

1.1 Bezpečnostní pokyny

1.1.1 Struktura bezpečnostních pokynů



UVOZUJÍCÍ SLOVO - Druh nebezpečí
Zde jsou uvedeny možné následky nedodržení bezpečnostních pokynů.
► Zde jsou uvedena opatření k odvrácení nebezpečí.

1.1.2 Symboly, druh nebezpečí

Symbol	Druh nebezpečí
	Úraz
	Úraz elektrickým proudem
	Popálení (popálení, opaření)

1.1.3 Uvozující slova

UVOZUJÍCÍ SLOVO	Význam
NEBEZPEČÍ	Pokyny, jejichž nedodržení má za následek vážné nebo smrtelné úrazy.
VÝSTRAHA	Pokyny, jejichž nedodržení může mít za následek vážné nebo smrtelné úrazy.
POZOR	Pokyny, jejichž nedodržení může mít za následek středně vážné nebo lehké úrazy.

1.2 Jiné symboly použité v této dokumentaci



Upozornění
Obecné pokyny jsou označeny symbolem zobrazeným vedle.
► Texty upozornění čtěte pečlivě.

Symbol	Význam
	Věcné škody (poškození přístroje, následné škody, poškození životního prostředí)
	Likvidace přístroje

► Tento symbol vás vyzývá k určitému jednání. Potřebné úkony jsou popsány po jednotlivých krocích.

1.3 Měrné jednotky



Upozornění
Pokud není uvedeno jinak, jsou všechny rozměry uvedeny v milimetrech.

2. Zabezpečení

2.1 Správné používání

Tlakové zařízení slouží k ohřevu pitné vody nebo k dodatečnému ohřevu přehřáté vody. Může zásobovat jedno nebo několik odběrných míst.

Přístroj je určen k použití v domácnostech. Mohou jej tedy bezpečně obsluhovat neškolené osoby. Lze jej používat i mimo domácnosti, např. v drobném průmyslu, pokud je provozován stejným způsobem jako v domácnostech.

Jiné použití nebo použití nad rámec daného rozsahu je považováno za použití v rozporu s určením. K použití v souladu s určením patří také dodržování tohoto návodu a návodů k používanému příslušenství.

2.2 Všeobecné bezpečnostní pokyny



POZOR, nebezpečí popálení
Armatura může dosáhnout teploty až 60 °C. Pokud je teplota na výtoky vyšší než 43 °C, hrozí nebezpečí opaření.



POZOR, nebezpečí popálení
Teplota teplé vody se může za provozu s přehřátou vodou, např. ze solárního systému, lišit od nastavené požadované teploty.



VÝSTRAHA úraz
Přístroj smí používat děti od 3 let a osoby se sníženými fyzickými, senzorickými nebo mentálními schopnostmi nebo s nedostatkem zkušeností a znalostí pouze pod dozorem nebo po poučení o bezpečném používání přístroje a poté, co porozuměly nebezpečí, které z jeho používání plyne. Nenechávejte děti, aby si s přístrojem hrály. Čištění a uživatelskou údržbu nesmějí provádět děti bez dozoru.

Pokud přístroj používají děti nebo osoby s omezenými tělesnými, senzorickými nebo duševními schopnostmi, doporučujeme trvalé omezení teploty. Omezení si můžete nechat nastavit autorizovaným servisem.



Věcné škody
Uživatel musí přístroj a armaturu chránit před mrazem.

2.3 Kontrolní symbol

Viz typový štítek na přístroji.

3. Popis přístroje

Elektronicky regulovaný průtokový ohřívač s automatickou úpravou výkonu udržuje teplotu vody na výtoku konstantní až na hranici výkonu. Následně se teplota volí na odběrné baterii.

Topný systém

Topný systém s holou spirálou je vybaven plastovým tlakovým pláštěm. Topný systém je vhodný pro vodu s nízkým i vyšším obsahem vápenných solí, systém je do značné míry necitlivý vůči zanášení vodním kamenem. Topný systém zajišťuje rychlou a účinnou přípravu teplé vody.

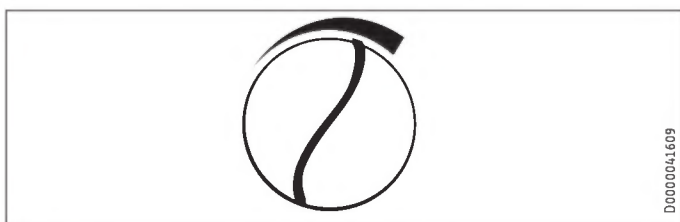


Upozornění

Přístroj je vybaven zařízením, které rozpoznává, zda je v systému voda. Tím je zabráněno poškození topného systému. Pokud se za provozu dostane do přístroje vzduch, přístroj vypne na jednu minutu topný výkon a chrání tak topný systém.

4. Nastavení

Teplotu teplé vody na výtoku je možné nastavovat plynule. Zobrazí se zvolená teplota. Při teplotách nad 43 °C se změní barva displeje z modré na červenou jako upozornění na nebezpečí opaření.



- ▶ Otočte nastavovací tlačítko na zvolenou teplotu.



Upozornění

Pokud při zcela otevřeném odběrném ventilu a nastavené maximální teplotě není dosaženo dostatečné teploty na výtoku, znamená to, že přístrojem protéká více vody, než je schopen topný systém ohřát (přístroj je na hranici výkonu).

- ▶ Zmenšete množství vody na odběrném ventilu.

4.1 Doporučené nastavení

Armatura termostatu

Průtokový ohřívač vody zajišťuje max. přesnost a max. komfort výkonu teplé vody. Pokud přístroj přesto provozujete s armaturou s termostatem, doporučujeme:

- ▶ Nastavte teplotu na přístroji na více než 50 °C. Požadovanou teplotu pak nastavte na armatuře s termostatem.

Po přerušení přívodu vody



Věcné škody

Aby nedošlo k poškození topného systému s holou spirálou po přerušení dodávky vody, musí se přístroj opět uvést do provozu následujícími kroky.

- ▶ Odpojte přístroj od napětí vypnutím pojistek.
- ▶ Otevřete armaturu na dobu jedné minuty, dokud nejsou přístroj a předřazená přípojka studené vody odvzdušněné.
- ▶ Opět zapnete síťové napětí.

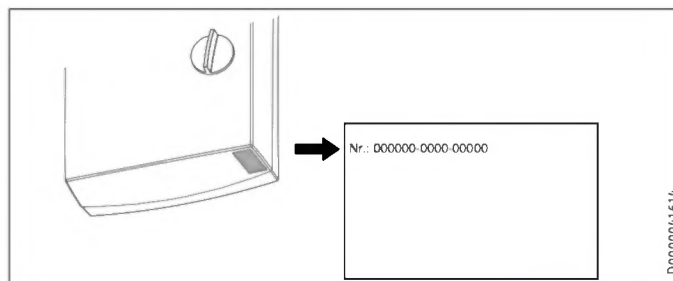
5. Čištění, péče a údržba

- ▶ Nepoužívejte abrazivní čisticí prostředky nebo prostředky obsahující rozpouštědla. K ošetřování a údržbě přístroje stačí vlhká textilie.
- ▶ Kontrolujte pravidelně armatury. Vodní kámen na výtocích z armatur odstraníte běžnými prostředky k odstranění vodního kamene.

6. Odstranění problémů

Problém	Příčina	Odstranění
I když je ventil teplé vody zcela otevřen, přístroj se nezapne.	Došlo k výpadku elektrického napájení.	Zkontrolujte pojistky vnitřní instalace.
	Průtokové množství je příliš nízké. Perlátor v armatuře nebo sprchová hlavice jsou zaneseny vodním kamenem nebo jsou znečištěné.	Vyčistěte perlátor nebo sprchovou hlavici a zbavte je vodního kamene.
Není dosaženo požadované teploty > 45 °C.	Je přerušen přívod vody.	Odvzdušněte přístroj a přívod studené vody (viz kapitola „Nastavení“).
	Teplota vstupní studené vody je > 45 °C.	Snížte teplotu vstupní studené vody.

Pokud nelze příčinu odstranit, kontaktujte odborníka. Pro lepší a rychlejší pomoc mu sdělte číslo (č. 000000-0000-00000), které je uvedeno na typovém štítku.



INSTALACE

7. Zabezpečení

Instalaci, uvedení do provozu, údržbu a opravy přístroje smí provádět pouze odborník.

7.1 Všeobecné bezpečnostní pokyny

Řádnou funkci a spolehlivý provoz lze zaručit pouze v případě použití původního příslušenství a originálních náhradních dílů určených pro tento přístroj.

Hydraulický tlak

Pokud není dosaženo průtoku k zapnutí přístroje ani při zcela otevřené armatuře, musíte demontovat omezovač průtoku.

Případně ovšem také můžete zvýšit tlak ve vodovodní instalaci.



Upozornění

Aby termostatická armatura fungovala správně, nesmíte omezovač průtoku vyměnit za plastovou tvarovku.



Věcné škody

Dodržujte maximální vstupní teplotu. Při vyšších teplotách může dojít k poškození přístroje. Instalací centrální termostatické armatury můžete omezit maximální teplotu přítoku.



VÝSTRAHA elektrický proud

Tento přístroj obsahuje kondenzátory, které se po odpojení od elektrické sítě vybíjejí. Vybíjecí napětí kondenzátoru může krátkodobě činit > 60 V DC.

7.2 Provoz sprchy



POZOR, nebezpečí popálení

► Při zásobování sprchy nastavte interní omezení teploty na „Tred“, viz kapitola „Alternativy montáže / omezení teploty“.



POZOR, nebezpečí popálení

Při zásobování přístroje předehřátou vodou dbejte následujících upozornění:
Interně nastavitelné omezení teploty se příp. překročí.
► Omezte teplotu na předřazené centrální armatuře s termostatem.

7.3 Předpisy, normy a ustanovení



Upozornění

Dodržujte všechny národní a místní předpisy a ustanovení.

- Krytí IP 25 (ochrana proti stříkající vodě) je zaručeno pouze v případě odborně instalované kabelové průchodky.

- Měrný elektrický odpor vody nesmí být menší než hodnota uvedená na typovém štítku. V případě propojení několika vodovodních sítí je nezbytné vzít v úvahu nejnižší elektrický odpor vody (viz kapitola „Technické údaje / Oblasti použití / Převodní tabulka“). Hodnoty měrného elektrického odporu vody nebo elektrické vodivosti vody zjistíte u vašeho dodavatele vody.

8. Popis přístroje

8.1 Rozsah dodávky

Spolu s přístrojem je dodáváno:

- Zavěšení na zeď
- Svorník se závitem pro zavěšení na zeď
- Montážní šablona
- 2 dvojité vsuvky (studená voda s uzavíracím ventilem)
- Plochá těsnění
- Kabelová průchodka (elektrické přírodní vedení nahoře / dole)
- Šrouby / hmoždinky k připevnění zadní stěny v případě montáže na vodovodní přípojku na stěnu

Pro výměnu přístroje:

- 2 prodloužení kohoutu

9. Příprava

9.1 Místo montáže



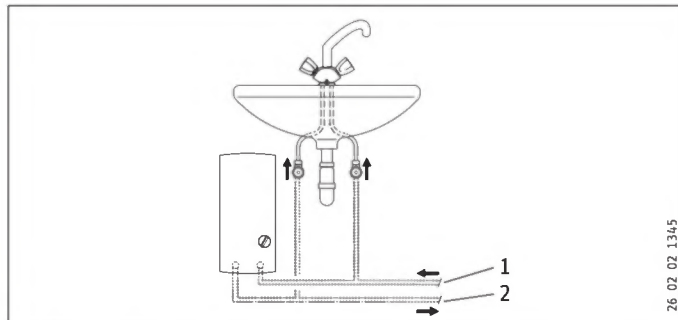
Věcné škody

Přístroj smí být instalován pouze v místnosti chráněné před mrazem.

- Přístroj montujte ve svislé poloze v blízkosti odběrného místa.

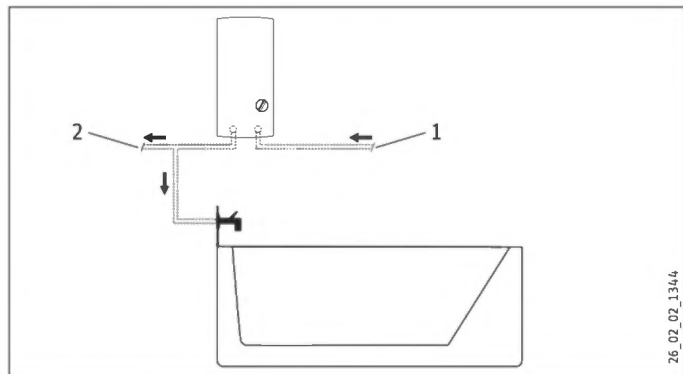
Přístroj je vhodný k montáži pod a nad umyvadlo.

Montáž pod umyvadlo



- 1 Vstup studené vody
- 2 Výstup teplé vody

Montáž nad umyvadlo



- 1 Vstup studené vody
- 2 Výstup teplé vody



Upozornění

- ▶ Namontujte přístroj na stěnu. Stěna musí mít dostatečnou nosnost.

9.2 Vodovodní instalace

- Pojistný ventil není nutný.
- Pojistné ventily v rozvodu teplé vody nejsou přípustné.
- ▶ Důkladně vypláchněte vodovodní vedení.
- ▶ Zkontrolujte, zda je dosaženo objemového průtoku (viz kapitola „Technické údaje / Tabulka údajů“, zapnutí) k zapnutí přístroje. Není-li dosaženo objemového průtoku, sejměte omezovač průtoku (viz kapitola „Montáž / Sejmутí omezovače průtoku“).
- ▶ Zvyšte tlak ve vodovodu, pokud není dosaženo při plně otevřeném odběrném ventilu potřebného objemového průtoku.

Armatury

Použijte vhodné tlakové armatury. Beztlakové armatury nejsou dovolené.



Upozornění

- Uzavírací ventil na přívodu studené vody se nesmí používat k omezování průtoku. Slouží k uzavření přístroje.

Dovolené materiály vodovodního potrubí

- Přívod studené vody:
Žárově zinkovaná ocelová trubka, trubka z ušlechtilé oceli, měděná trubka nebo plastová trubka
- Výstupní potrubí teplé vody:
Trubka z ušlechtilé oceli, měděná trubka nebo plastová trubka



Věcné škody

- V případě použití plastových potrubních systémů dodržujte maximální dovolenou vstupní teplotu a maximální dovolený tlak, uvedené v kapitole „Technické údaje / Tabulka údajů“.

Flexibilní přívodní vedení vody

- ▶ Při instalaci flexibilních přívodních vedení vody zamezte překroucení kolen s bajonetovými spoji v přístroji.
- ▶ Upevněte zadní stěnu dole pomocí dodatečných dvou šroubů.

10. Montáž

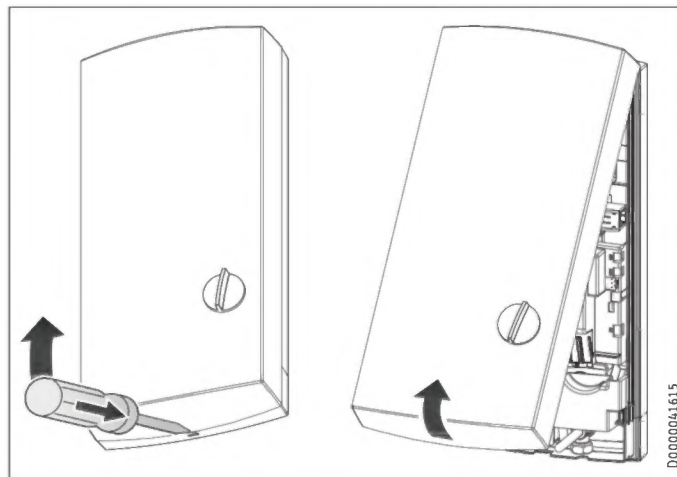
10.1 Standardní montáž

- Elektrická přípojka nahoře, instalace ve stěně (pod omítkou)
- Vodovodní přípojka s instalací ve stěně (pod omítkou)
- PEO 18/21/24: střední příkon přednastaven

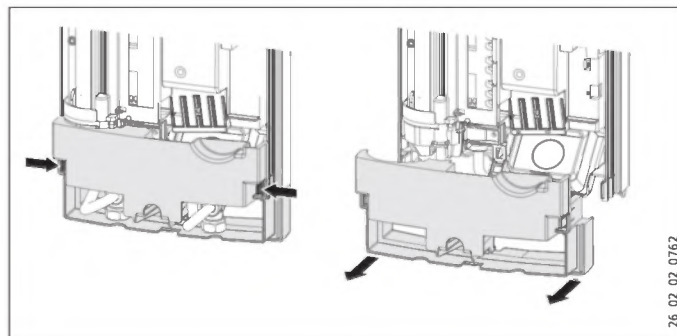
Další možnosti montáže viz kapitola „Alternativní postupy montáže“:

- Elektrická přípojka pod omítkou dole
- Elektrická přípojka na zdi
- Připojení zátěžového relé
- Vodovodní instalace na zdi
- Přípojka vody pod omítkou při výměně přístroje
- Provoz s předeřhátou vodou
- Omezovač teploty

Otevření přístroje



- ▶ Otevřete přístroj odblokováním pojistky.

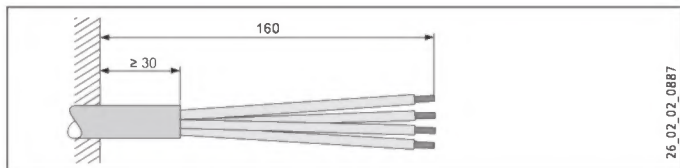


- ▶ Demontujte zadní stěnu zatlačením obou pojistných háčků a stáhněte spodní díl zadní stěny dopředu.

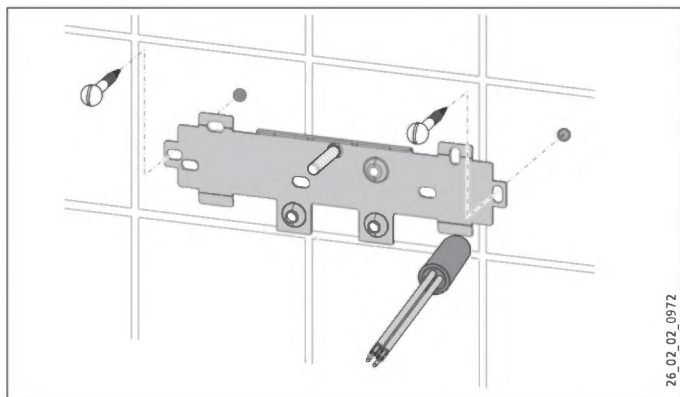
INSTALACE

Montáž

Příprava přívodního kabelu

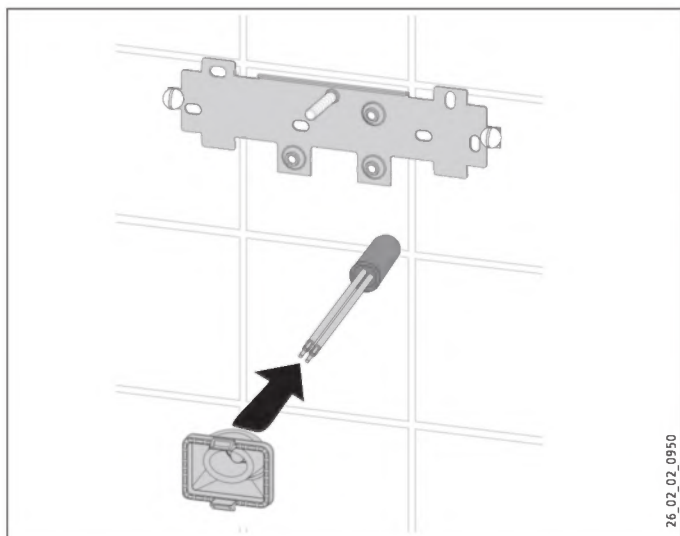


Montáž nástěnného závěsu



- ▶ Vyznačte pomocí montážní šablony vrtané otvory. V případě montáže s vodovodními přípojkami přímo na zdi musíte navíc označit upevňovací otvory ve spodní části šablony.
- ▶ Vyvrtejte otvory a upevněte závěšovací konzolu na zeď pomocí 2 šroubů a 2 hmoždinek (šrouby a hmoždinky nejsou součástí dodávky).
- ▶ Namontujte přiložené svorníky se závitem.
- ▶ Namontujte konzolu na zeď.

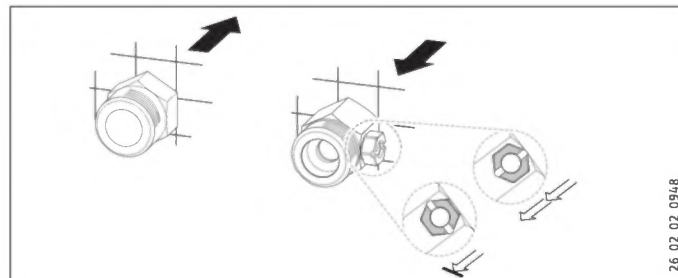
Montáž kabelové průchodky



- ▶ Namontujte kabelovou průchodku. Je-li průřez připojovacího kabelu > 6 mm², musíte otvor v kabelové průchodce zvětšit.

Instalace vodovodní přípojky

- ! **Věcné škody**
Veškeré vodovodní přípojky a instalace provádějte podle předpisů.

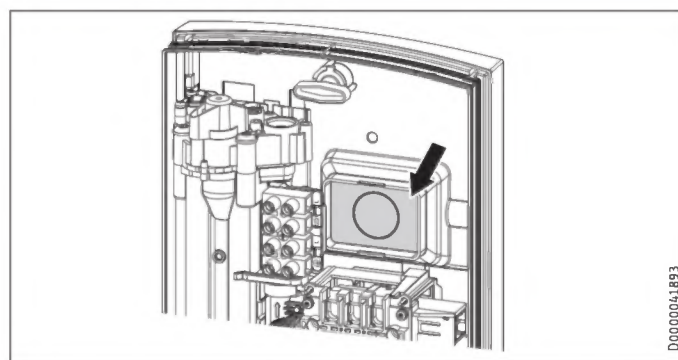


- ▶ Utěsněte a našroubujte dvojitou vsuvku.

- ! **Věcné škody**
Uzavírací ventil na přívodu studené vody se nesmí používat k omezování průtoku.

Příprava zadní stěny

- ! **Věcné škody**
Pokud byste nedopatřením vylomili do zadní stěny nesprávný otvor, musíte použít novou zadní stěnu.

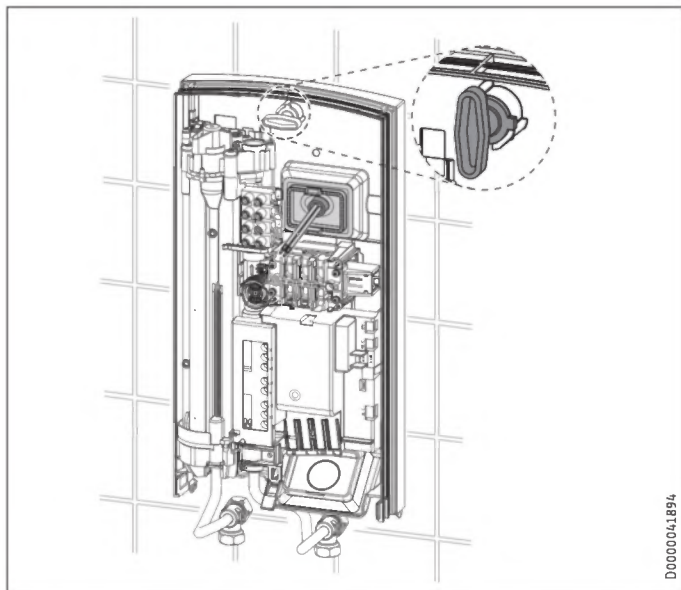


- ▶ Vylomte průchodku kabelu na zadní straně. V případě potřeby odstraňte pilníkem ostré hrany.

INSTALACE

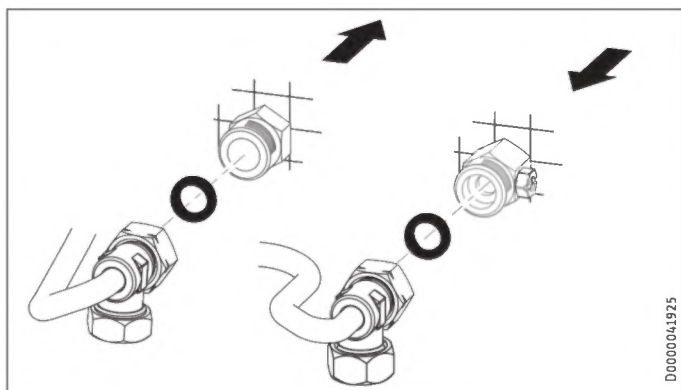
Montáž

Montáž přístroje



D0000041894

- ▶ Zasuňte zadní stěnu přes svorník se závitem a kabelovou průchodku. Zatáhněte kabelovou průchodku pomocí kleští na háčcích do zadní stěny, dokud oba háčky slyšitelně nezaklapnou.
- ▶ Odstraňte z vodovodních přípojek ochranná transportní víčka.
- ▶ Pevně přitlačte zadní stěnu a zajistěte upevňovací páčku otčením doprava o 90°.



D0000041925

- ▶ Přišroubujte trubky vodovodní přípojky s plochým těsněním na dvojitě vsuvky.



Věcné škody

Z důvodu funkce přístroje musíte instalovat sítko.

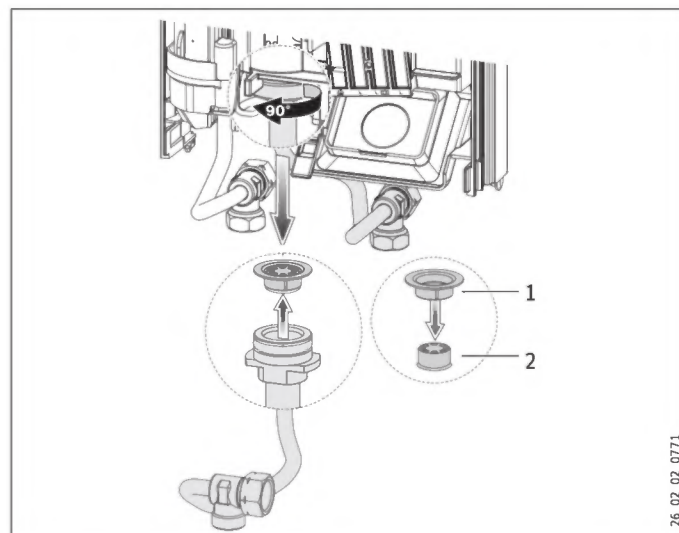
- ▶ Zkontrolujte při výměně přístroje, zda je k dispozici sítko (viz kapitola „Údržba“).

Odejmutí omezovače průtoku



Věcné škody

Použijete-li armatury s termostatem, nesmí se omezovač průtoku sejmout.



26_02_02_0171

- 1 Plastová tvarová podložka
- 2 Omezovač průtoku

- ▶ Sejměte omezovač průtoku a opět nasadte plastovou tvarovku.

Připojení přívodu elektrické energie



VÝSTRAHA elektrický proud

Veškerá elektrická zapojení a instalace provádějte podle předpisů.



VÝSTRAHA elektrický proud

Přípojka k elektrické síti smí být provedena pouze jako pevná přípojka v kombinaci s vyjímatelnou kabelovou vsuvkou. Přístroj musí být možné odpojit od síťové přípojky na všech pólech na vzdálenost nejméně 3 mm.



VÝSTRAHA elektrický proud

Pamatujte, že přístroj musí být připojen k ochrannému vodiči.



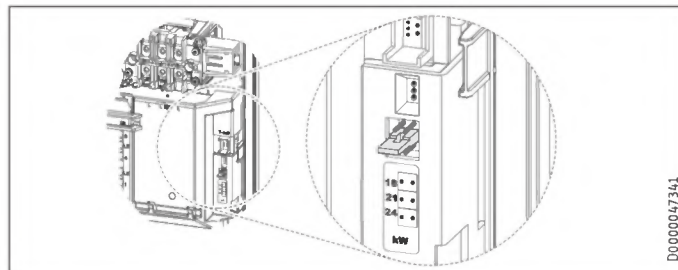
Věcné škody

Dodržujte údaje uvedené na typovém štítku. Uvedené napětí se musí shodovat se síťovým napětím.

- ▶ Připojte elektrický přívodní kabel k síťové svorkovnici (viz kapitolu „Technické údaje / Schéma elektrického zapojení“).

PEO 18/21/24: Změna zapojení kódovacího konektoru

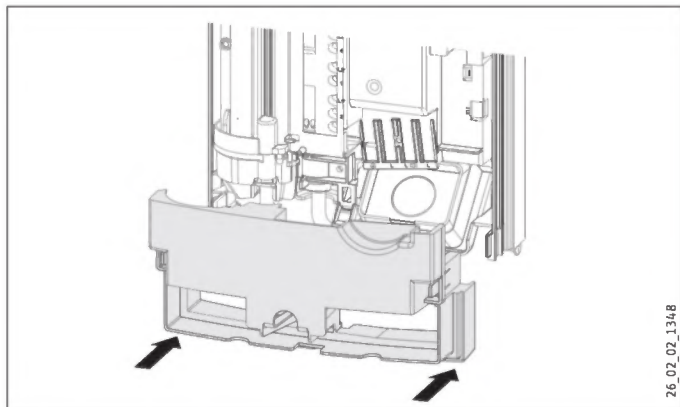
Přístroj je při dodání nastaven na 21 kW. Pokud si přejete přestavit jiný příkon, musíte provést následující kroky:



D0000047361

- ▶ Zasuňte kódovací konektor v souladu se zvoleným příkonem (volitelný příkon a jištění přístroje viz kapitola „Technické údaje / Tabulka s technickými údaji“).
- ▶ Zakřížkujte zvolený příkon na typovém štítku. K tomuto účelu použijte propisku.

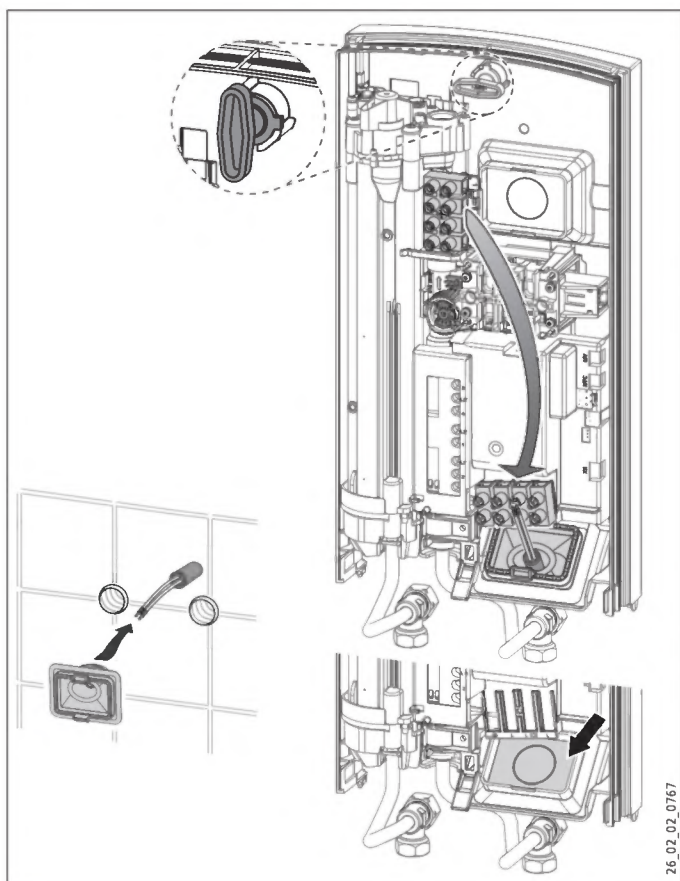
Montáž spodní části zadní stěny



- ▶ Namontujte spodní díl zadní stěny do zadní stěny a zajistěte jej.
- ▶ Vyrovnajte namontovaný přístroj povolením upevňovací páčky, vyrovnajte elektrickou přípojku a zadní stěnu a opět utáhněte upevňovací páčku. Pokud zadní stěna přístroje nepřiléhá, můžete přístroj dole upevnit dvěma dalšími šrouby.

10.2 Alternativy montáže

10.2.1 Elektrická přípojka pod omítkou dole



- ▶ Namontujte kabelovou průchodku.



Věcné škody

Pokud byste nedopatřením vylomili do zadní stěny nesprávný otvor, musíte použít novou zadní stěnu.

- ▶ Vylomte průchodku kabelu na zadní straně. V případě potřeby odstraňte pilníkem ostré hrany.
- ▶ Přemístěte přívodní síťovou svorku v přístroji shora dolů.
- ▶ Zasuňte zadní stěnu přes svorník se závitem a kabelovou průchodku. Zatáhněte kabelovou průchodku pomocí kleští na háčcích do zadní stěny, dokud oba háčky slyšitelně nezaklapnou.
- ▶ Pevně přitlačte zadní stěnu a zajistěte upevňovací páčku otčením doprava o 90°.

10.2.2 Elektrická přípojka na zdi



Upozornění

Při tomto způsobu připojení se mění krytí přístroje.

- ▶ Provedte změnu na typovém štítku. Přeškrtněte údaj IP 25 a označte křížkem políčko IP 24. K tomuto účelu použijte propisku.



Věcné škody

Pokud byste nedopatřením vylomili do zadní stěny nesprávný otvor, musíte použít novou zadní stěnu.

- ▶ Čistě vyřízněte nebo prorazte potřebnou průchodku v zadní stěně přístroje (umístění viz kapitola „Technické údaje / Rozměry a přípojky“). V případě potřeby odstraňte pilníkem ostré hrany.
- ▶ Vedte elektrický přívodní kabel kabelovou průchodkou a připojte jej k síťové svorkovnici.

10.2.3 Připojení zátěžového relé

Zátěžové relé používejte v kombinaci s jinými elektrickými přístroji v elektrickém rozvodu, například s elektrickými akumulacími ohříváči. K vypnutí zátěže dochází při provozu průtokového ohříváče.



Věcné škody

Připojte fázi, která spíná zátěžové relé, k označené svorce síťové svorkovnice v přístroji (viz kapitulu „Technické údaje / Schéma elektrického zapojení“).

INSTALACE

Montáž

10.2.4 Vodovodní instalace na zdi



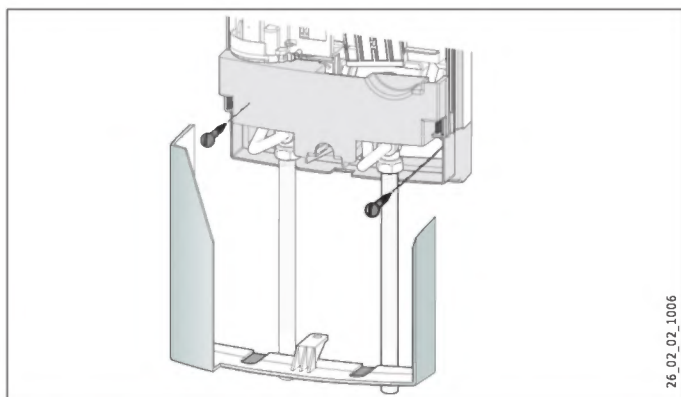
Upozornění

Při tomto způsobu připojení se mění krytí přístroje.

- Proveďte změnu na typovém štítku. Přeškrtněte údaj IP 25 a označte křížkem políčko IP 24. K tomuto účelu použijte propisku.



- Namontujte vodovodní zátku s těsněním tak, aby došlo k uzavření přívodu pod omítkou.
- Namontujte vhodnou tlakovou armaturu.



- Upevněte zadní stěnu dole pomocí dodatečných dvou šroubů.
- Nasadte spodní díl zadní stěny pod připojovací trubky armatury a zajistěte jej.
- Přišroubujte přívodní trubky k přístroji.



Věcné škody

Pokud byste nedopatřením vylomili do víka přístroje nesprávný otvor, musíte použít nové víko.

- Proveďte čisté vylomení průchozích otvorů ve víku přístroje. V případě potřeby odstraňte pilníkem ostré hrany.

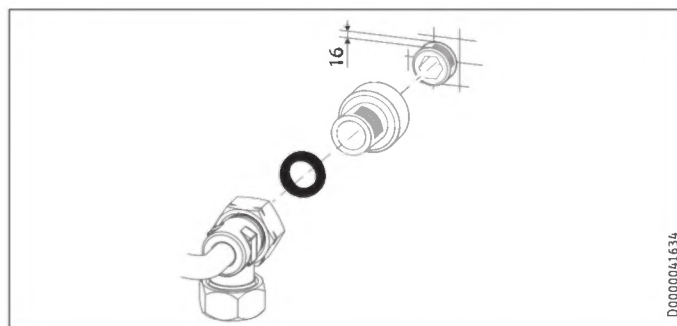
10.2.5 Vodovodní instalace pod omítkou při výměně přístroje

Pokud stávající dvojité vsuvky starého přístroje vyčnívají ze zdi pouze cca o 16 mm, nelze použít dodané dvojité vsuvky.



Upozornění

Při tomto připojení je uzávěr přítoku studené vody možný pouze v domovní instalaci.

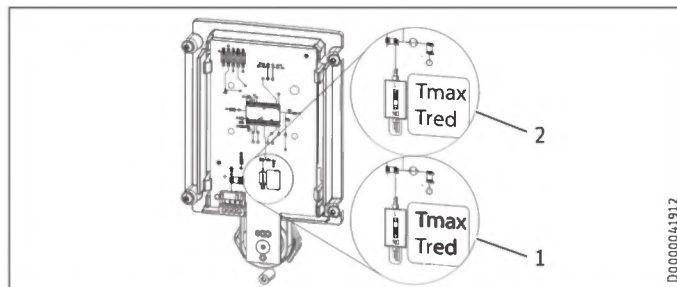


- Utěsněte a našroubujte dodaná prodloužení kohoutu.
- Připojte přístroj.

10.2.6 Provoz s předehřátou vodou

Instalací centrální termostatické armatury můžete omezit maximální teplotu přítoku.

10.2.7 Omezovač teploty



- 1 Poloha „Tred“ (55 °C): Omezovač teploty
- 2 Poloha „Tmax“: Žádné omezení teploty, rozsah nastavení teplot viz kapitolu „Technické údaje / tabulka údajů“.

- Sejměte kryt přístroje.
- Posuňte spínač do požadované polohy.
- Namontujte kryt přístroje.



POZOR, nebezpečí popálení

Za provozu s předehřátou vodou může být nastavený omezovač teploty neúčinný.

- V takovém případě omezte teplotu na předřazené centrální termostatické armatuře.

10.3 Dokončení montáže

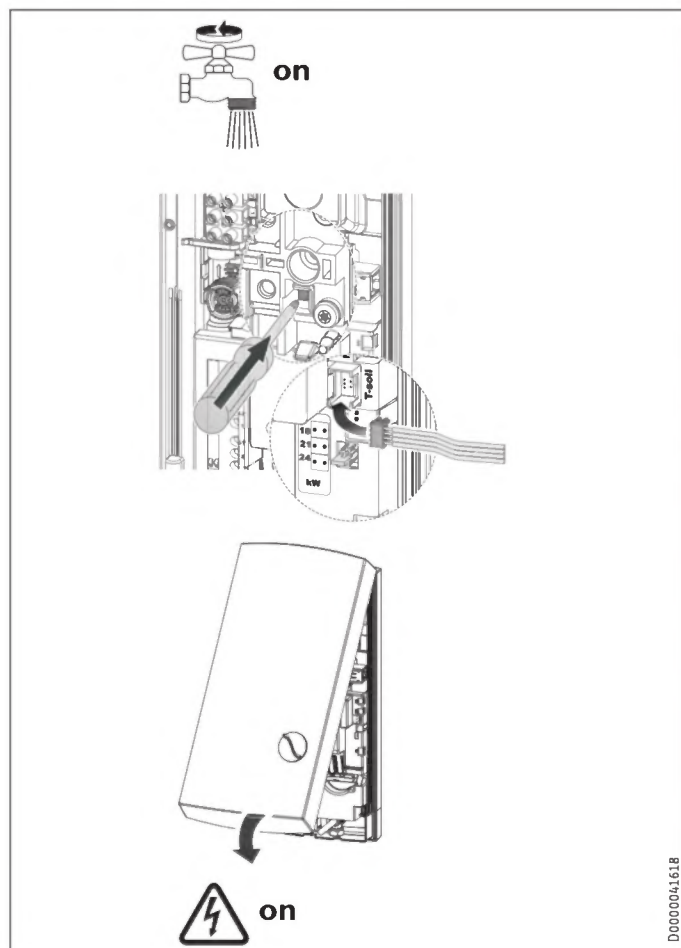
- Otevřete uzavírací ventil ve dvojité vsuvce nebo na přívodu studené vody.

11. Uvedení do provozu



VÝSTRAHA elektrický proud
Uvedení do provozu smí provádět pouze specializovaný odborník při dodržení bezpečnostních předpisů.

11.1 První uvedení do provozu



- ▶ Otevřete a uzavřete několikrát všechny připojené odběrné ventily, dokud nebudou rozvodná síť a přístroj odzdušněné.
- ▶ Proveďte kontrolu těsnosti.
- ▶ Aktivujte bezpečnostní omezovač tlaku pevným stisknutím resetovacího tlačítka (přístroj je dodán s vypnutým bezpečnostním omezovačem tlaku).
- ▶ Zasuňte zástrčku kabelu regulátoru do elektronického systému.
- ▶ Namontujte víko přístroje a dbejte, aby se slyšitelně zajistilo. Ověřte usazení víka přístroje.
- ▶ Zapněte napájení ze sítě.
- ▶ Zkontrolujte funkci přístroje.

Předání přístroje

- ▶ Vysvětlete uživateli funkci přístroje a seznamte ho se způsobem jeho užívání.
- ▶ Upozorněte uživatele na možná rizika, především na nebezpečí opaření.
- ▶ Předajte tento návod.

11.2 Opětovné uvedení do provozu

Odzdušněte přístroj a přívod studené vody (viz kapitola „Nastavení“).

Viz kapitola „Prvotní uvedení do provozu“.

12. Uvedení mimo provoz

- ▶ Odpojte přístroj na všech pólech od sítě.
- ▶ Vypusťte vodu z přístroje (viz kapitolu „Údržba“).

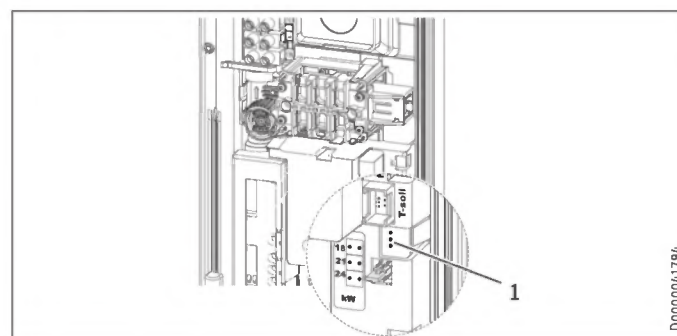
13. Odstraňování poruch



VÝSTRAHA elektrický proud
Pokud chcete provést kontrolu přístroje, musí být přístroj připojen k síťovému napětí.

Možnosti zobrazení informací na diagnostické liště (LED)

	červená	svítí při poruše
	žlutá	svítí při ohřívání
	zelená	bliká: Přístroj připojený k síti



1 Diagnostická lišta

Porucha/stav diagnostické kontrolky LED	Příčina	Odstranění
Průtok je příliš nízký.	Sítka v přístroji je znečištěná.	Vyčistěte sítko.
Nelze dosáhnout požadované teploty.	Výpadek jedné fáze.	Zkontrolujte pojistky vnitřní instalace.
Ohřev se nezapíná.	Ve vodě je zjištěn vzduch a vypne krátkodobě topný výkon.	Přístroj se za minutu opět zapne.
Žádná teplá voda, indikátory nesvíí.	Vypnuly pojistky.	Zkontrolujte pojistky vnitřní instalace.
	Bezpečnostní omezovač tlaku AP 3 provedl vypnutí.	Odstraňte příčinu závady (např. vadné tlakové proplachovací zařízení). Chraňte topný systém před přehřátím otevřením ventilu v odběrném místě za přístrojem na jednu minutu. Z topného systému tak bude vypuštěn tlak a dojde k ochlazení. Aktivujte bezpečnostní omezovač tlaku při hydraulickém tlaku stisknutím tlačítka reset (viz kapitola „První uvedení do provozu“).
Kontrolky: bliká zelená nebo svítí	Závada elektronického systému.	Zkontrolujte elektroniku, v případě potřeby proveďte výměnu.
Žádná teplá voda při průtoku > 2,5 l/min.	Závada elektronického systému.	Zkontrolujte elektroniku, v případě potřeby proveďte výměnu.
	Snímač průtoku DFE není nasazen.	Nasadte znovu konektor snímače průtoku.
Kontrolky: žlutá svítí, zelená bliká	Snímač průtoku DFE je vadný.	Zkontrolujte snímač průtoku a v případě potřeby jej vyměňte.
	Byl aktivován bezpečnostní omezovač teploty nebo došlo k přerušení.	Zkontrolujte bezpečnostní omezovač teploty a v případě potřeby jej vyměňte.
Žádná teplá voda při průtoku > 3 l/min.	Topný systém je vadný.	Změřte odpor topného systému a v případě potřeby odpor vyměňte.
	Závada elektronického systému.	Zkontrolujte elektroniku, v případě potřeby proveďte výměnu.
Kontrolky: žlutá svítí, zelená bliká	Snímač na výstupu je stažený nebo došlo k přetržení vedení.	Nasadte snímač na výstupu a v případě potřeby jej vyměňte.
Kontrolky: Červená svítí, zelená bliká	Snímač studené vody je vadný.	Zkontrolujte elektroniku, v případě potřeby proveďte výměnu.
Žádná teplá voda Není dosaženo požadované teploty > 45 °C.	Teplota přiváděné studené vody je vyšší než 45 °C.	Snižte teplotu studené vody, přiváděné do přístroje.
	Kontrolky: Červená svítí, zelená bliká	Snímač na výstupu je vadný (zkrat).

14. Údržba



VÝSTRAHA elektrický proud
Při všech činnostech odpojte přístroj na všech pólech od sítě.

Vypuštění přístroje

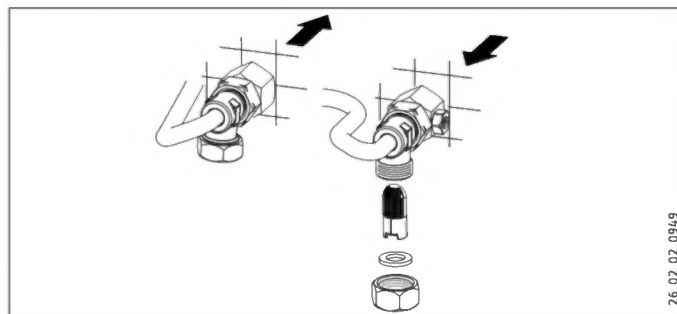
K provádění údržbových prací můžete přístroj vypustit.



VÝSTRAHA popálení
Při vypouštění přístroje může vytékat horká voda.

- ▶ Uzavřete uzavírací ventil ve dvojitě vsuvce nebo na přívodu studené vody.
- ▶ Otevřete všechny odběrné ventily.
- ▶ Odpojte od přístroje vodovodní přípojky.
- ▶ Demontovaný přístroj skladujte tak, aby byl chráněn před mrazem. Případné zbytky vody v přístroji mohou zmrznout a způsobit škody.

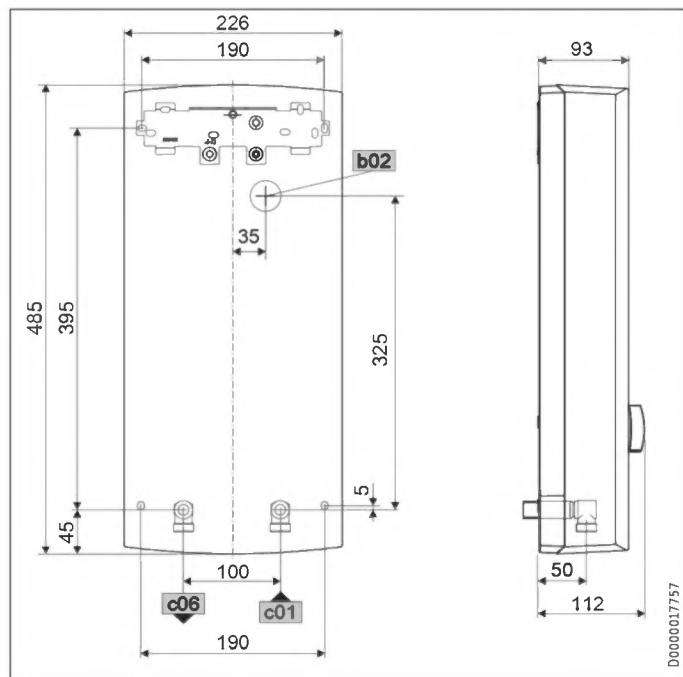
Vyčistění sítka



V případě znečištění očistěte sítko ve šroubení přípojky studené vody. Uzavřete uzavírací ventil v přívodu studené vody, než sítko vyjmete, očistíte a opět namontujete.

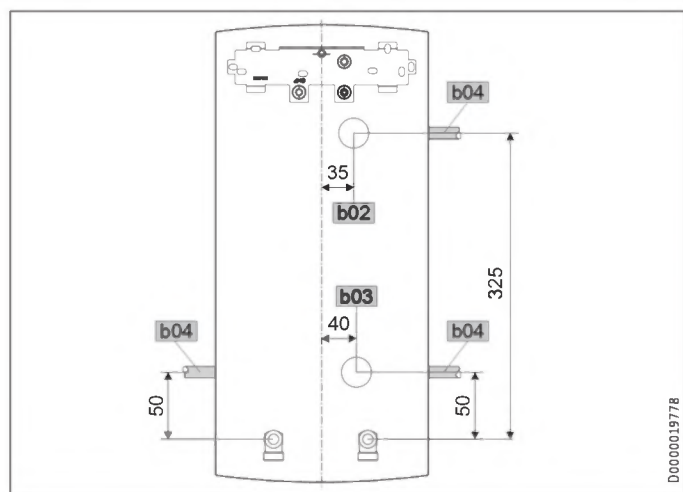
15. Technické údaje

15.1 Rozměry a přípojky



b02	Kabelová průchodka I		
c01	Vstup studené vody	Vnější závit	G 1/2 A
c06	Výstup teplé vody	Vnější závit	G 1/2 A

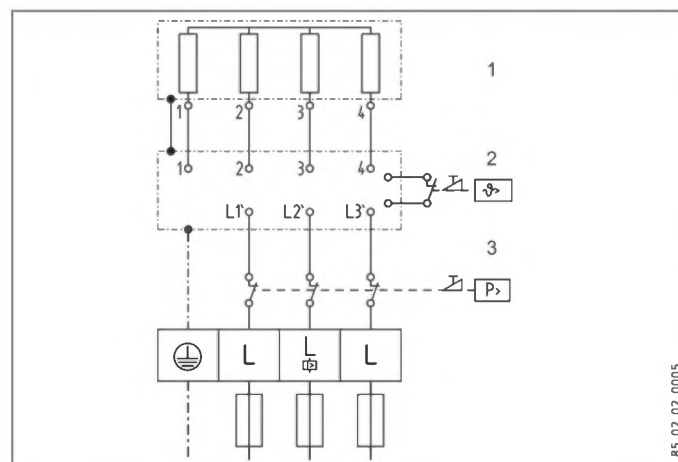
Alternativní možnosti připojení



b02	Kabelová průchodka I
b03	Kabelová průchodka II
b04	Kabelová průchodka III

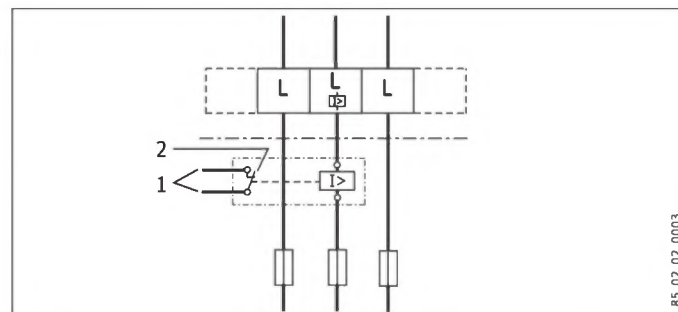
15.2 Schéma elektrického zapojení

3/PE ~ 380-415 V



- 1 Topná tělesa
- 2 Bezpečnostní omezovač teploty
- 3 Bezpečnostní omezovač tlaku

Předřazený spínač s LR 1-A



- 1 Řídicí obvod stykače 2. přístroje (například elektrický akumulací ohřívač).
- 2 Řídicí kontakt, který se otevře po zapnutí průtokového ohřívače.

15.3 Výkon teplé vody

Výkon teplé vody závisí na napětí sítě, příkonu přístroje a teplotě přítoku studené vody. Jmenovité napětí a jmenovitý výkon najdete na typovém štítku (viz kapitola „Odstraňování problémů“).

Příkon v kW	38 °C výkon teplé vody v L/min.						
	Teplota přiváděné studené vody						
Jmenovité napětí	380 V	400 V	415 V	5 °C	10 °C	15 °C	20 °C
16,2				7,0	8,3	10,1	12,9
19,0				8,2	9,7	11,8	15,1
21,7				9,4	11,1	13,5	17,2
		18,0		7,8	9,2	11,2	14,3
		21,0		9,1	10,7	13,0	16,7
		24,0		10,4	12,2	14,9	19,0
		19,4		8,4	9,9	12,0	15,4
		22,6		9,8	11,5	14,0	17,9
		25,8		11,2	13,2	16,0	20,5
24,4				10,6	12,4	15,2	19,4
		27,0		11,7	13,8	16,8	21,4

Příkon v kW			50 °C výkon teplé vody v L/min.			
Jmenovité napětí			Teplota přiváděné studené vody			
380 V	400 V	415 V	5 °C	10 °C	15 °C	20 °C
16,2			5,1	5,8	6,6	7,7
19,0			6,0	6,8	7,8	9,0
21,7			6,9	7,8	8,9	10,3
	18,0		5,7	6,4	7,3	8,6
	21,0		6,7	7,5	8,6	10,0
	24,0		7,6	8,6	9,8	11,4
		19,4	6,2	6,9	7,9	9,2
		22,6	7,2	8,1	9,2	10,8
		25,8	8,2	9,2	10,5	12,3
24,4			7,7	8,7	10,0	11,6
	27,0		8,6	9,6	11,0	12,9

15.4 Oblast použití / Převodní tabulka

Měrný elektrický odpor a měrná elektrická vodivost (viz kapitola „Tabulka s technickými údaji“).

Údaj podle normy při 15 °C			20 °C			25 °C		
Odpor $\rho \geq$	Vodivost $\sigma \leq$		Odpor $\rho \geq$	Vodivost $\sigma \leq$		Odpor $\rho \geq$	Vodivost $\sigma \leq$	
$\Omega \text{ cm}$	mS/m	$\mu\text{S/cm}$	$\Omega \text{ cm}$	mS/m	$\mu\text{S/cm}$	$\Omega \text{ cm}$	mS/m	$\mu\text{S/cm}$
900	111	1111	800	125	1250	735	136	1361
1000	100	1000	890	112	1124	815	123	1227
1200	83	833	1070	93	935	985	102	1015
1300	77	769	1175	85	851	1072	93	933

15.5 Ztráty tlaku

Armatury

Tlaková ztráta armatur při objemovém průtoku 10 L/min		
Páková baterie cca	MPa	0,04 - 0,08
Armatura s termostatem cca	MPa	0,03 - 0,05
Ruční sprcha cca	MPa	0,03 - 0,15

Dimenzování potrubní sítě

K výpočtu dimenzování potrubní sítě je pro přístroj doporučena tlaková ztráta 0,1 MPa.

15.6 Podmínky v případě poruchy

V případě poruchy se mohou v instalaci krátkodobě objevovat hodnoty max. 95 °C / 1,2 MPa.

15.7 Údaje ke spotřebě energie

List technických údajů k výrobku: Běžné zařízení k přípravě teplé vody v souladu s nařízením (EU) č. 812/2013 a 814/2013

	PEO 18/21/24	PEO 27
	233991	233992
Výrobce	STIEBEL ELTRON	STIEBEL ELTRON
Zátěžový profil	S	S
Třída energetické účinnosti	A	A
Energetická účinnost	%	39
Roční spotřeba el. energie	kWh	477
Nastavení teploty od výrobce	°C	60
Hladina akustického výkonu	dB(A)	15
Zvláštní pokyny k měření účinnosti	Údaje při Pmax.	Měřeno s DMB 8,5 l/min
Denní spotřeba el. energie	kWh	2,198
		2,220

15.8 Tabulka údajů

		PEO 18/21/24			PEO 27	
		233991			233992	
Elektrotechnické údaje						
Jmenovité napětí	V	380	400	415	380	400
Jmenovitý výkon	kW	16,2/19/21,7	18/21/24	19,4/22,6/25,8	24,4	27
Jmenovitý proud	A	27,6/29,5/33,3	29/31/35	30,1/32,2/36,3	37,1	39
Išnění	A	32/32/35	32/32/35	32/32/40	40	40
Frekvence	Hz	50/60	50/60	50/-	50/60	50/60
Fáze				3/PE		3/PE
Specifický odpor $\rho_{15} \geq$ (při $\vartheta_{\text{studené}} \leq 25^\circ\text{C}$)	$\Omega \text{ cm}$	900	900	1000	900	900
Specifická vodivost $\sigma_{15} \leq$ (bei $\vartheta_{\text{studená}} \leq 25^\circ\text{C}$)	$\mu\text{S/cm}$	1111	1111	1000	1111	1111
Specifický odpor $\rho_{15} \geq$ (při $\vartheta_{\text{studené}} \leq 45^\circ\text{C}$)	$\Omega \text{ cm}$	1200	1200	1300	1200	1200
Specifická vodivost $\sigma_{15} \leq$ (bei $\vartheta_{\text{studená}} \leq 45^\circ\text{C}$)	$\mu\text{S/cm}$	833	833	770	833	833
Max. impedance sítě při 50 Hz	Ω	0,284	0,270	0,260	0,254	0,241
Provedení						
Zdroj tepla topného systému				holá spirála		holá spirála
Izolační blok				plast		plast
Nastavení teploty	$^\circ\text{C}$			30-60		30-60
Třída krytí				1		1
Víko a zadní stěna				plast		plast
Krytí (IP)				IP25		IP25
Barva				bílá		bílá
Přípojky						
Vodovodní přípojka				G 1/2 A		G 1/2 A
Meze použitelnosti						
Max. dovolený tlak	MPa			1		1
Max. teplota přítoku pro dodatečný ohřev	$^\circ\text{C}$			45		45
Hodnoty						
Max. povolená vstupní teplota vody	$^\circ\text{C}$			60		60
Zap	l/mín			>2,5		>2,5
Výkon teplé vody	l/mín			9,4/11,0/12,6		14,2
$\Delta\vartheta$ při výkonu teplé vody	K			26		26
Údaje o hydraulickém systému						
Jmenovitý objem	l			0,4		0,4
Rozměry						
Výška	mm			485		485
Šířka	mm			226		226
Hloubka	mm			93		93
Hmotnosti						
Hmotnost	kg			3,6		3,6



Upozornění

Přístroj vyhovuje normě IEC 61000-3-12.

Záruka

Pro přístroje nabyté mimo území Německa neplatí záruční podmínky poskytované našimi firmami v Německu. V zemích, ve kterých některá z našich dceřiných společností distribuuje naše výrobky, poskytuje záruku jenom tato dceřiná společnost. Takovou záruku lze poskytnout pouze tehdy, pokud dceřiná společnost vydala vlastní záruční podmínky. Jinak nelze záruku poskytnout.

Na přístroje zakoupené v zemích, ve kterých nejsou naše výrobky distribuovány žádnou z dceřiných společností, neposkytujeme žádnou záruku. Případné záruky závazně přislíbené dovozcem zůstávají proto nedotčeny.

Životní prostředí a recyklace

Pomozte nám chránit naše životní prostředí. Materiály po použití zlikvidujte v souladu s platnými národními předpisy.

WSKAZÓWKI SPECJALNE

OBSŁUGA

1.	Wskazówki ogólne	49
1.1	Wskazówki dotyczące bezpieczeństwa	49
1.2	Inne oznaczenia stosowane w niniejszej dokumentacji	50
1.3	Jednostki miar	50
2.	Bezpieczeństwo	50
2.1	Użytkowanie zgodne z przeznaczeniem	50
2.2	Ogólne wskazówki dotyczące bezpieczeństwa	50
2.3	Znak kontroli	50
3.	Opis urządzenia	50
4.	Nastawy	51
4.1	Zalecane nastawy	51
5.	Czyszczenie i konserwacja	51
6.	Usuwanie problemów	51

INSTALACJA

7.	Bezpieczeństwo	52
7.1	Ogólne wskazówki dotyczące bezpieczeństwa	52
7.2	Tryb prysznicowy	52
7.3	Przepisy, normy i wymogi	52
8.	Opis urządzenia	52
8.1	Zakres dostawy	52
9.	Przygotowania	52
9.1	Miejsce montażu	52
9.2	Instalacja wodna	53
10.	Montaż	53
10.1	Montaż standardowy	53
10.2	Inne sposoby montażu	56
10.3	Zakończenie montażu	58
11.	Uruchomienie	58
11.1	Pierwsze uruchomienie	58
11.2	Ponowne uruchomienie	59
12.	Wyłączenie z eksploatacji	59
13.	Usuwanie usterek	59
14.	Konserwacja	60
15.	Dane techniczne	60
15.1	Wymiary i przyłącza	60
15.2	Schemat połączeń elektrycznych	61
15.3	Wydajność CWU	61
15.4	Zakres pracy / tabela przeliczeniowa	61
15.5	Straty ciśnienia	61
15.6	Warunki awaryjne	61
15.7	Dane dotyczące zużycia energii	62
15.8	Tabela danych	62

GWARANCJA

OCHRONA ŚRODOWISKA I RECYCLING

WSKAZÓWKI SPECJALNE

- Dzieci w wieku powyżej 3 lat, osoby o obniżonej sprawności ruchowej, sensorycznej lub umysłowej, lub też osoby bez doświadczenia i odpowiedniej wiedzy mogą obsługiwać urządzenie pod nadzorem lub samodzielnie o ile zostały poinstruowane o zasadach bezpiecznego użytkowania urządzenia i rozumieją ewentualne zagrożenia. Urządzenie nie może być używane przez dzieci do zabawy. Czyszczenia oraz konserwacji ze strony użytkownika nie wolno powierzać dzieciom bez nadzoru.
- Temperatura armatury może osiągnąć do 60 °C. W przypadku temperatur wyższych niż 43 °C istnieje niebezpieczeństwo poparzenia.
- Urządzenie nadaje się do zasilania prysznicą (tryb prysznicowy). Jeśli urządzenie będzie również lub wyłącznie wykorzystywane w trybie prysznicowym, wyspecjalizowany instalator musi za pomocą ogranicznika temperatury nastawić zakres temperatury w urządzeniu na (Tred = 55 °C) lub mniej. W przypadku korzystania z wody wstępnie podgrzanej temperatura na wlocie nie może przekraczać 55 °C.
- Urządzenie musi mieć możliwość odłączania od sieci elektrycznej za pomocą wielobiegunowego wyłącznika z rozwarciem styków wynoszącym min. 3 mm.
- Podane napięcie musi być zgodne z napięciem zasilania.
- Urządzenie musi być podłączone do przewodu ochronnego.
- Urządzenie musi być trwale podłączone do stałego okablowania.
- Zamocować urządzenie w sposób opisany w rozdziale „Instalacja / Montaż”.

- Nie wolno przekraczać maksymalnego dopuszczalnego ciśnienia (patrz rozdział „Instalacja / Dane techniczne / Tabela danych”).
- Oporność właściwa wody z sieci wodociągowej nie może być niższa niż podana w tabeli (patrz rozdział „Instalacja / Dane techniczne / Tabela danych”).
- Urządzenie opróżniać w sposób opisany w rozdziale „Instalacja / Konserwacja / Opróżnianie urządzenia”.

OBSŁUGA

1. Wskazówki ogólne

Rozdziały „Wskazówki specjalne” i „Obsługa” są przeznaczone dla użytkowników urządzenia i wyspecjalizowanych instalatorów.

Rozdział „Instalacja” przeznaczony jest dla wyspecjalizowanego instalatora.



Wskazówka

Przed przystąpieniem do użytkowania należy dokładnie zapoznać się z niniejszą instrukcją i zachować ją do późniejszego wykorzystania.

W przypadku przekazania produktu innemu użytkownikowi niniejszą instrukcję należy również dołączyć.

1.1 Wskazówki dotyczące bezpieczeństwa

1.1.1 Struktura wskazówek dotyczących bezpieczeństwa



HASŁO OSTRZEGAWCZE – rodzaj zagrożenia

W tym miejscu określone są potencjalne skutki nieprzestrzegania wskazówki dotyczącej bezpieczeństwa.

► W tym miejscu są określone środki zapobiegające zagrożeniu.


1.1.2 Symbole i rodzaje zagrożenia



Symbol	Rodzaj zagrożenia
	Obrażenia ciała
	Porażenie prądem elektrycznym
	Poparzenie (Poparzenie)

1.1.3 Hasła ostrzegawcze

HASŁO OSTRZEGAWCZE	Znaczenie
ZAGROŻENIE	Wskazówki, których nieprzestrzeganie prowadzi do ciężkich obrażeń ciała lub śmierci.
OSTRZEŻENIE	Wskazówki, których nieprzestrzeganie może prowadzić do ciężkich obrażeń ciała lub śmierci.
OSTROŻNIE	Wskazówki, których nieprzestrzeganie może prowadzić do średnich lub lekkich obrażeń ciała.


1.2 Inne oznaczenia stosowane w niniejszej dokumentacji

 **Wskazówka**
Wskazówki ogólne są oznaczone symbolem umieszczonym obok.
▶ Należy dokładnie zapoznać się z treścią wskazówek.

Symbol	Znaczenie
	Szkody materialne (uszkodzenia urządzenia, szkody wtórne, szkody dla środowiska naturalnego)
	Utylizacja urządzenia

▶ Ten symbol informuje o konieczności wykonania jakiejś czynności. Wymagane czynności opisane są krok po kroku.

1.3 Jednostki miar

 **Wskazówka**
Jeśli nie określono innych jednostek, wszystkie wymiary podane są w milimetrach.

2. Bezpieczeństwo


2.1 Użytkowanie zgodne z przeznaczeniem


Urządzenie ciśnieniowe jest przeznaczone do nagrzewania wody użytkowej lub wstępnie podgrzanej. Urządzenie może służyć do zasilania co najmniej jednego punktu poboru wody.


Urządzenie przeznaczone jest do użytku w budownictwie mieszkaniowym. Może być bezpiecznie użytkowane przez nieprzeszkolone osoby. Urządzenie może być użytkowane również poza budownictwem mieszkaniowym, np. w budynkach gospodarczych i przemysłowych, pod warunkiem użytkowania zgodnego z przeznaczeniem.

Inne lub wykraczające poza obowiązujące ustalenia użytkowanie traktowane jest jako niezgodne z przeznaczeniem. Do użytkowania zgodnego z przeznaczeniem należy również przestrzeganie niniejszej instrukcji obsługi oraz instrukcji obsługi użytego osprzętu.


2.2 Ogólne wskazówki dotyczące bezpieczeństwa

 **OSTROŻNIE - poparzenie**
Temperatura armatury może osiągnąć do 60 °C. W przypadku temperatur wyższych niż 43 °C istnieje niebezpieczeństwo poparzenia.

 **OSTROŻNIE - poparzenie**
Temperatura ciepłej wody przy zasilaniu wodą wstępnie podgrzaną, np. przez instalację solarną, może różnić się od nastawionej temperatury zadanej.

 **OSTRZEŻENIE - obrażenia ciała**
Dzieci w wieku powyżej 3 lat, osoby o obniżonej sprawności ruchowej, sensorycznej lub umysłowej, lub też osoby bez doświadczenia i odpowiedniej wiedzy mogą obsługiwać urządzenie pod nadzorem lub samodzielnie o ile zostały poinstruowane o zasadach bezpiecznego użytkowania urządzenia i rozumieją ewentualne zagrożenia. Urządzenie nie może być używane przez dzieci do zabawy. Czyszczenia oraz konserwacji ze strony użytkownika nie wolno powierzać dzieciom bez nadzoru.

Jeżeli urządzenie będzie obsługiwane przez dzieci lub osoby z ograniczonymi zdolnościami ruchowymi, sensorycznymi lub umysłowymi zaleca się zastosowanie funkcji stałego ograniczenia temperatury. Ograniczenie może nastawić specjalista.

 **Szkody materialne**
Obowiązkiem użytkownika jest zabezpieczenie urządzenia i armatury przed zamrożeniem.

2.3 Znak kontroli


Patrz tabliczka znamionowa na urządzeniu.

3. Opis urządzenia

Elektronicznie regulowany przepływowy ogrzewacz wody z automatycznym dopasowaniem mocy utrzymuje stałą temperaturę wody na wylocie, aż do granicy wydajności. Następnie temperatura jest dobierana poprzez armaturę do pobierania.

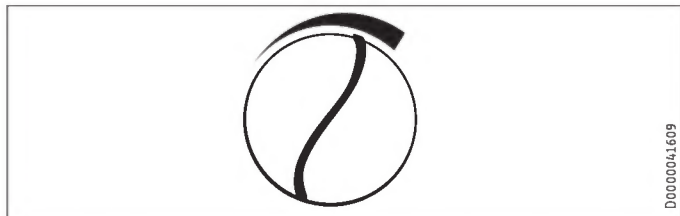
System grzejny

System grzejny z odkrytą grzałką wyposażony jest w płaszcz z tworzywa sztucznego odporny na ciśnienie. W systemie grzejnym można podgrzewać wodę o niskiej i wysokiej zawartości wapnia, ponieważ jest on w dużym stopniu odporny na zwapnienie. System grzejny zapewnia szybkie i wydajne przygotowanie ciepłej wody.

 **Wskazówka**
Urządzenie jest wyposażone w funkcję wykrywania przecieków powietrza, która w znacznym stopniu zapobiega uszkodzeniom systemu grzejnego. Jeżeli podczas pracy do urządzenia dostanie się powietrze, urządzenie wyłącza moc grzejną na jedną minutę, chroniąc tym samym system grzejny.

4. Nastawy

Temperaturę ciepłej wody użytkowej na wylocie można nastawić bezstopniowo. Wyświetlana jest wybrana temperatura. Przy temperaturach powyżej 43 °C, kolor wskazania zmienia się z niebieskiego na czerwony, aby zasygnalizować niebezpieczeństwo poparzenia.



- ▶ Obrócić pokrętkę regulacyjną w położenie temperatury zadanej.



Wskazówka

Jeżeli przy całkowicie otwartym zaworze poboru wody i maksymalnym nastawieniu temperatury na wylocie nie jest osiągnięta wymagana temperatura, oznacza to, że przez urządzenie przepływa większa ilość wody niż może zostać podgrzana przez grzałkę (granica wydajności urządzenia).

- ▶ Należy zredukować przepływ na zaworze poboru wody.

4.1 Zalecane nastawy

Armatura termostatyczna

Ogrzewacz przepływowy zapewnia maks. dokładność i maks. komfort przygotowania ciepłej wody. Jeśli urządzenie mimo to będzie eksploatowane z armaturą termostatyczną, nasze zalecenia są następujące:

- ▶ Nastawić temperaturę zadaną w urządzeniu na więcej niż 50 °C. Żądaną temperaturę zadaną należy następnie nastawić na armaturze termostatycznej.

Po przerwie w zaopatrzeniu w wodę



Szkody materialne

Aby nie uszkodzić systemu grzejnego z odkrytą grzałką, po przerwie w dopływie wody należy ponownie uruchomić urządzenie, wykonując poniższe czynności.

- ▶ Odłączyć urządzenie od źródła zasilania, wyłączając bezpieczniki.
- ▶ Otworzyć armaturę i odczekać około minuty, aż urządzenie i rurka doprowadzająca zimną wodę do urządzenia zostaną odpowietrzone.
- ▶ Włączyć ponownie napięcie sieciowe.

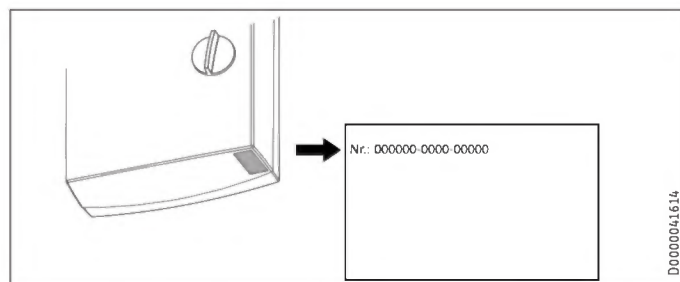
5. Czyszczenie i konserwacja

- ▶ Nie wolno używać szorujących, ani rozpuszczających środków czyszczących. Do konserwacji i czyszczenia urządzenia wystarczy wilgotna ściereczka.
- ▶ Należy regularnie sprawdzać stan armatur. Osad z wylotu armatur należy usuwać przy użyciu dostępnych w handlu środków do odkamieniania.

6. Usuwanie problemów

Problem	Przyczyna	Usuwanie
Urządzenie nie włącza się, mimo całkowicie otwartej armatury.	Brak napięcia.	Sprawdzić bezpieczniki w instalacji domowej.
	Przepływ jest zbyt mały. Regulator strumienia w armaturze lub głowica natryskowa jest pokryta kamieniem lub zanieczyszczona.	Oczyścić i/lub usunąć kamień z regulatora strumienia lub głowicy natryskowej.
Żądana temperatura > 45 °C nie jest osiągnięta.	Przerwa w zaopatrzeniu w wodę.	Odpowietrzyć urządzenie i przewód doprowadzający wody zimnej (patrz rozdział „Nastawy”).
	Temperatura zimnej wody na wejściu > 45 °C.	Zmniejszyć temperaturę zasilania zimnej wody.

Jeśli nie można usunąć przyczyny usterki, należy wezwać wyspecjalizowanego instalatora. W celu usprawnienia i przyspieszenia pomocy należy podać numer urządzenia z tabliczki znamionowej (000000-0000-00000).



INSTALACJA

7. Bezpieczeństwo

Instalacja, uruchomienie, jak również konserwacja i naprawa urządzenia mogą być wykonane wyłącznie przez wyspecjalizowanego instalatora.

7.1 Ogólne wskazówki dotyczące bezpieczeństwa

Producent zapewnia prawidłowe działanie i bezpieczeństwo eksploatacji tylko w przypadku stosowania oryginalnego osprzętu, przeznaczonego do tego urządzenia, oraz oryginalnych części zamiennych.

Ciśnienie hydrauliczne

Jeśli przepływ wody nie jest wystarczający do włączenia urządzenia, również przy otwartej armaturze, należy zdemontować dławik przepływu i zastąpić go dostarczonym krążkiem z tworzywa sztucznego.

O ile to możliwe zwiększyć ciśnienie w instalacji wodnej.



Wskazówka

Aby armatura termostatyczna działała prawidłowo, nie wolno zastępować dławika przepływu w tej armaturze krążkiem z tworzywa sztucznego.



Szkody materialne

Nie wolno przekraczać maksymalnej temperatury na zasilaniu urządzenia. Przy wyższych temperaturach może nastąpić uszkodzenie urządzenia. Poprzez montaż centralnej armatury termostatycznej można ograniczyć maksymalną temperaturę wody na zasilaniu urządzenia.



OSTRZEŻENIE - porażenie prądem elektrycznym
Urządzenie zawiera kondensatory, które rozładowują się po odłączeniu od sieci elektrycznej. Napięcie rozładowania kondensatora może wynosić chwilowo > 60 V DC.

7.2 Tryb prysznicowy



OSTROŻNIE - poparzenie

► Przy zasilaniu prysznicą ustawić wewnętrzny ogranicznik temperatury na „Tred”, patrz rozdział „Inne sposoby montażu / ogranicznik temperatury”.



OSTROŻNIE - poparzenie

W przypadku zasilania urządzenia wodą wstępnie podgrzaną przestrzegać następującej zasady:
Może nastąpić przekroczenie maksymalnej temperatury możliwej do ustawienia na ograniczniku.

► Ograniczyć temperaturę za pomocą centralnej armatury termostatycznej podłączonej przed urządzeniem.

7.3 Przepisy, normy i wymogi



Wskazówka

Należy przestrzegać krajowych i lokalnych przepisów oraz wymogów.

- Stopień ochrony IP 25 (ochrona strugoszczelna) jest zapewniony tylko przy prawidłowo zamontowanej osłonie przewodu.
- Właściwa oporność elektryczna wody nie może być mniejsza niż podana na tabliczce znamionowej. W przypadku sieci wodociągowej należy uwzględnić najniższą oporność elektryczną wody (patrz rozdział „Dane techniczne / Zakres pracy / Tabela przeliczeniowa”). Informacje o właściwej oporności elektrycznej lub elektrycznej przewodności wody można uzyskać w miejscowym zakładzie wodociągów.

8. Opis urządzenia

8.1 Zakres dostawy

Z urządzeniem dostarczane są:

- Uchwyt ścienny
- Sworzeń gwintowany do zawieszenia na ścianie
- Szablon montażowy
- 2 złączki podwójne (woda zimna z zaworem odcinającym)
- Uszczelki płaskie
- Osłona przewodu (do górnego/dolnego elektrycznego przewodu zasilającego)
- Śruby/kołki do mocowania ściany tylnej w przypadku natynkowego podłączenia wody

Do wymiany urządzenia:

- 2 przedłużenia z zaworami

9. Przygotowania

9.1 Miejsce montażu



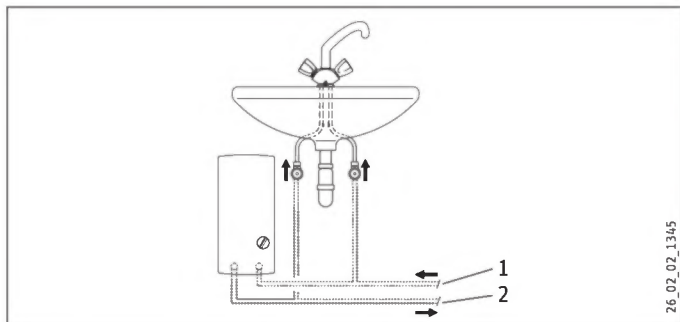
Szkody materialne

Urządzenie należy zainstalować w pomieszczeniu, w którym nie istnieje ryzyko zamarznięcia.

- Urządzenie należy zamontować pionowo, w pobliżu punktu poboru wody.

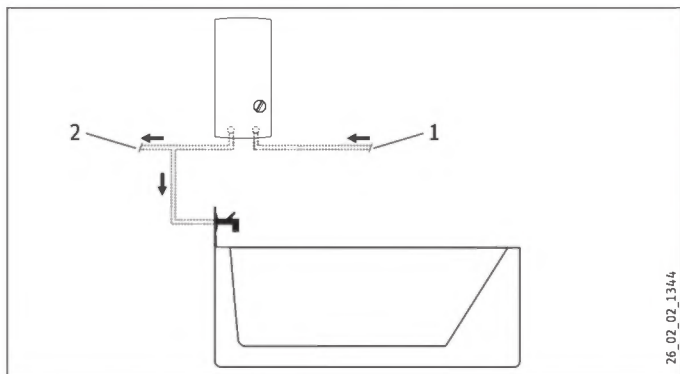
Urządzenie jest dostosowane do instalacji poniżej lub powyżej punktu poboru wody.

Montaż poniżej punktu poboru wody



- 1 Zimna woda, zasilanie
2 Ciepła woda, wyjście

Montaż powyżej punktu poboru wody



- 1 Zimna woda, zasilanie
2 Ciepła woda, wyjście



Wskazówka

- ▶ Zamontować urządzenie na ścianie. Ściana musi posiadać odpowiednią nośność.

9.2 Instalacja wodna

- Zawór bezpieczeństwa nie jest wymagany.
- W przewodzie ciepłej wody stosowanie zaworów bezpieczeństwa jest niedopuszczalne.
- ▶ Przepłukać dokładnie instalację wodną.
- ▶ Upewnić się, że osiągnięty został strumień przepływu (patrz rozdział „Dane techniczne / Tabela danych”, Zał.) niezbędny do załączenia się urządzenia. Jeżeli nie jest osiągany wymagany przepływ, należy zdemonstrować ogranicznik natężenia przepływu (patrz rozdział „Montaż / demontaż ogranicznika natężenia przepływu”).
- ▶ Zwiększyć ciśnienie w instalacji wodnej, jeśli nie można uzyskać wymaganego strumienia przepływu przy całkowicie otwartym zaworze poboru.

Armatury

Należy stosować odpowiednie armatury ciśnieniowe. Nie wolno stosować armatur bezcisnieniowych.



Wskazówka

Nie używać zaworu odcinającego na zasilaniu zimnej do urządzenia do tłumienia przepływu. Zadaniem tego zaworu jest odcinanie urządzenia.

Dopuszczalne materiały rur wodociągowych

- Przewód dopływu zimnej wody: rurka stalowa ocynkowana ogniowo, rurka ze stali nierdzewnej, rurka miedziana lub rurka z tworzywa sztucznego
- Rurka wyjścia ciepłej wody: Rurka ze stali nierdzewnej, rurka miedziana lub rurka z tworzywa sztucznego



Szkody materialne

Przy stosowaniu rur z tworzywa sztucznego należy przestrzegać maksymalnej temperatury zasilania i maksymalnego dopuszczalnego ciśnienia (patrz rozdział „Dane techniczne / Tabela danych”).

Elastyczne przewody przyłączeniowe wody

- ▶ Nie dopuszczać do przekręcania kolanek rurowych przy instalacji w urządzeniu z elastycznymi przewodami przyłączeniowymi wody łączonymi zatraskowo.
- ▶ Przymocować tylną ściankę na dole przy użyciu dodatkowych śrub.

10. Montaż

10.1 Montaż standardowy

- Przyłącze elektryczne u góry, instalacja podtynkowa
- Przyłącze wody, instalacja podtynkowa
- PEO 18/21/24: Wstępnie została nastawiona średnia moc przyłączeniowa

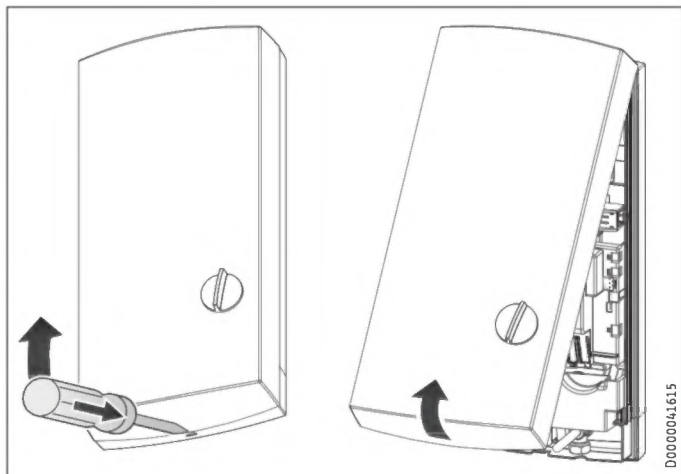
Opis innych sposobów montażu zawiera rozdział „Inne sposoby montażu”:

- Podtynkowe przyłącze elektryczne na dole
- Przyłącze elektryczne natynkowe
- Podłączenie przekaźnika priorytetu
- Natynkowa instalacja wodna
- Podtynkowe przyłącze wody przy wymianie urządzenia
- Eksploatacja ze wstępnie podgrzaną wodą
- Ograniczenie temperatury

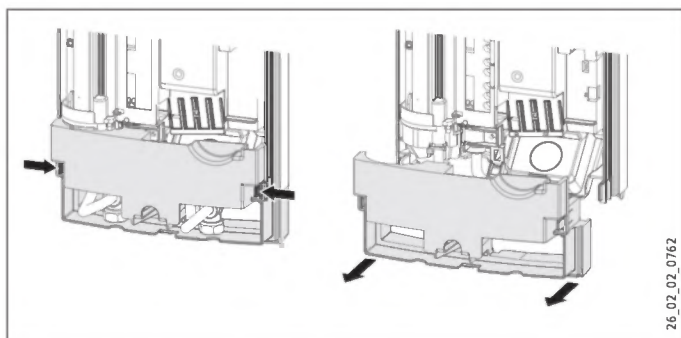
INSTALACJA

Montaż

Otwieranie urządzenia

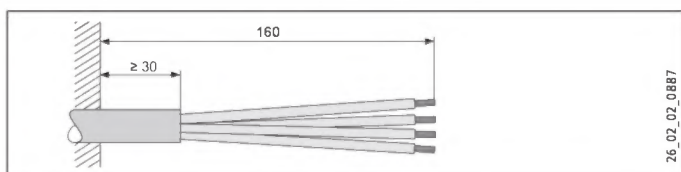


- ▶ Otworzyć urządzenie, odblokowując blokadę zatrzaskową.

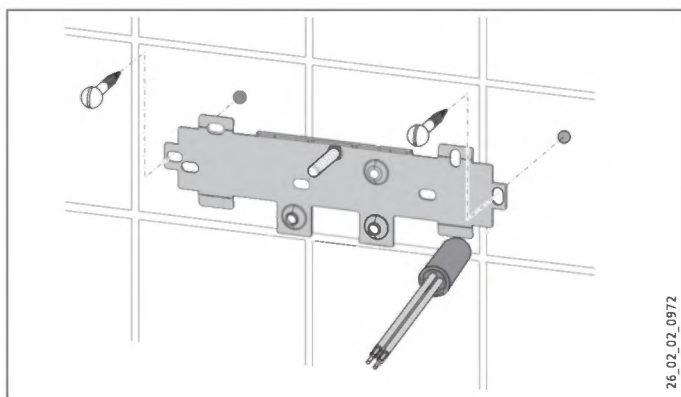


- ▶ Zdjąć ścianę tylną, naciskając oba haczyki blokujące i pociągając dolną część ścianki tylnej do przodu.

Przygotowanie sieciowego przewodu przyłączeniowego



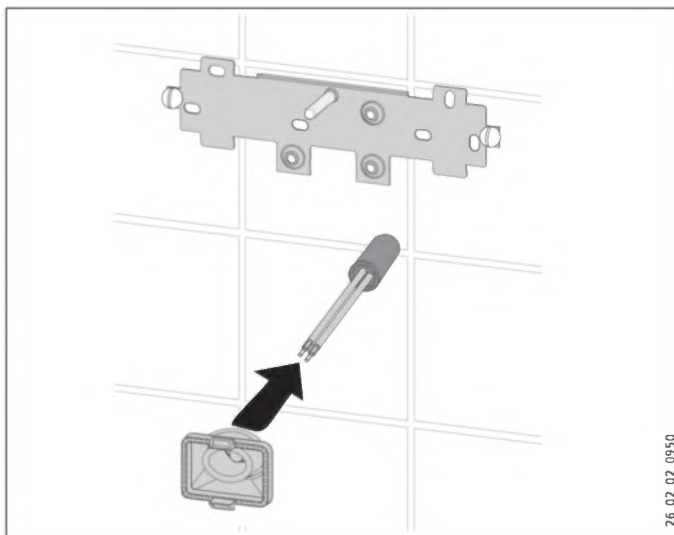
Mocowanie uchwyty ściennego



- ▶ Za pomocą szablonu montażowego zaznaczyć otwory do wywiercenia. W przypadku montażu urządzenia z przyłączami wody umieszczonymi na tynku należy dodatkowo oznaczyć otwory mocujące w dolnej części szablonu.

- ▶ Wywiercić otwory i zamocować listwę do zawieszenia na ścianie za pomocą 2 wkrętów i 2 kołków rozporowych (wkręty i kołki rozporowe nie są objęte zakresem dostawy).
- ▶ Zamontować dołączony sworzeń gwintowany.
- ▶ Zamontować uchwyt ścienny na ścianie.

Montaż osłony przewodu



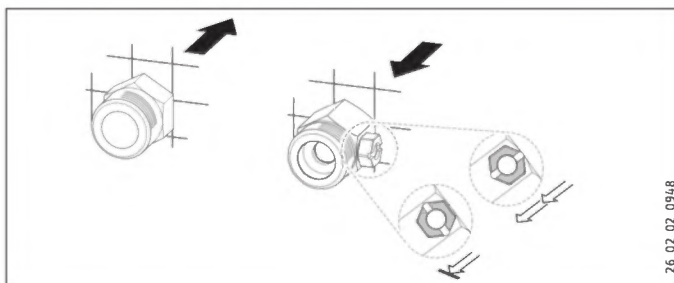
- ▶ Zamontować osłonę przewodu. Przy przekroju > 6 mm² powiększyć otwór w osłonie przewodu.

Wykonać podłączenie wodne



Szkody materialne

Wszystkie prace w zakresie podłączania wody i prace instalacyjne należy wykonywać zgodnie z przepisami.



- ▶ Uszczelnić i wkręcić złączkę podwójną.



Szkody materialne

Nie używać zaworu odcinającego na zasileniu zimnej do urządzenia do tłumienia przepływu.

INSTALACJA

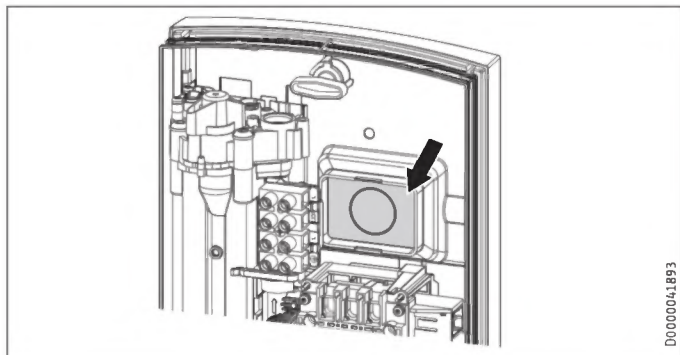
Montaż

Przygotowanie do montażu tylnej ścianki



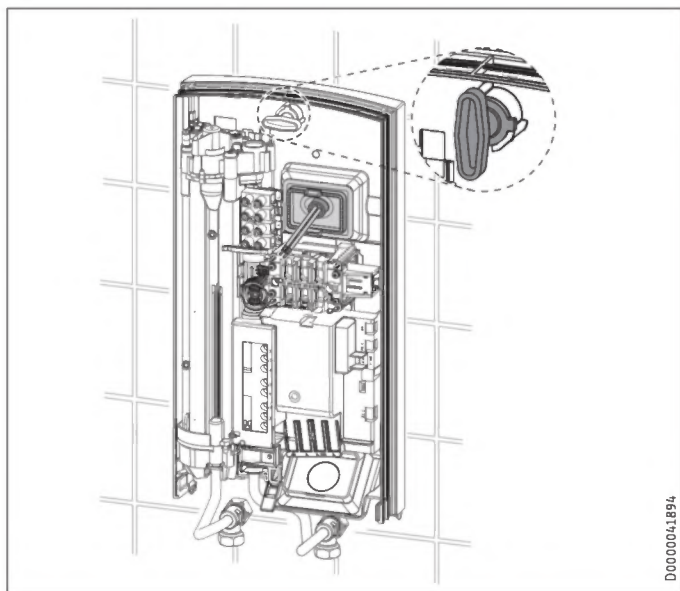
Szkody materialne

W razie przygotowania nieodpowiedniego otworu w ścianie tylnej, należy użyć nowej ścianki tylnej!

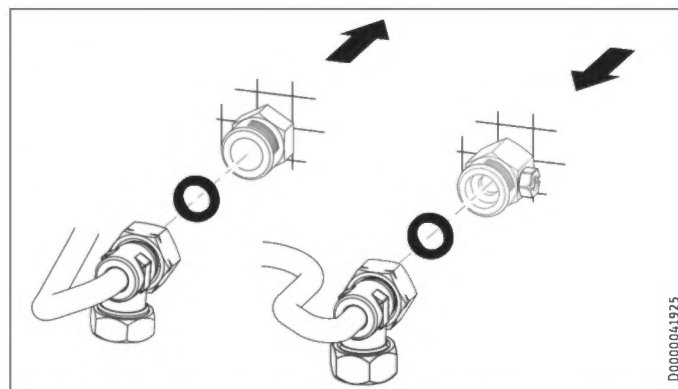


- ▶ W odpowiednich miejscach tylnej ścianki przygotować otwór dla osłony przewodu. W razie potrzeby wygładzić ostre krawędzie pilnikiem.

Montaż urządzenia



- ▶ Założyć tylną ściankę na sworzeń gwintowany i osłonę przewodu. Przy użyciu szczypiec pociągnąć osłonę przewodu za haczyki blokujące do tylnej ścianki, aż haczyki zostaną zablokowane w słyszalny sposób.
- ▶ Usunąć zabezpieczające zatyczki transportowe z przyłączy wody.
- ▶ Docisnąć mocno tylną ściankę i zablokować przetyczkę mocującą, obracając ją w prawo o 90°.



- ▶ Przykręcić rurki przyłączeniowe wody z uszczelkami płaskimi do złączek podwójnych.



Szkody materialne

Przy eksploatacji urządzenia sitko musi być zamontowane.

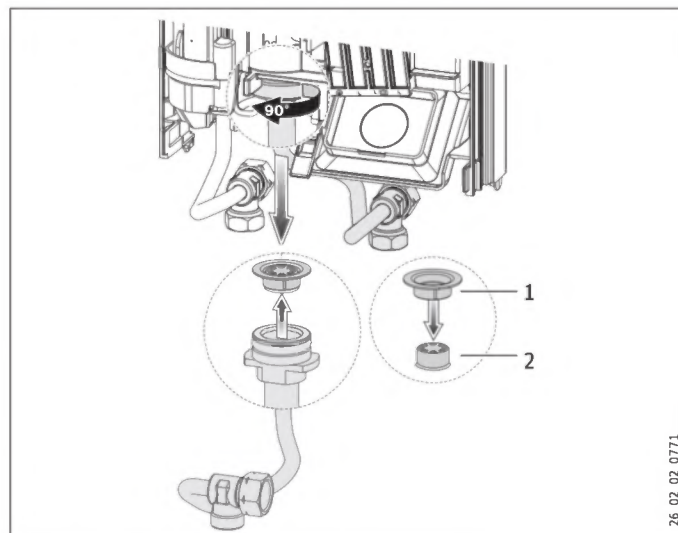
- ▶ Przy wymianie urządzenia sprawdzać, obecność sitka (patrz rozdział „Konservacja”).

Wymywanie ogranicznika natężenia przepływu



Szkody materialne

W przypadku stosowania armatury termostatycznej, nie wolno wyjmować ogranicznika natężenia przepływu.



- 1 Krążek kształtkowy z tworzywa sztucznego
 - 2 Ogranicznik natężenia przepływu
- ▶ Wyjąć ogranicznik natężenia przepływu i założyć z powrotem kształtkę z tworzywa sztucznego.

Wykonanie przyłącza elektrycznego

⚡ OSTRZEŻENIE - porażenie prądem elektrycznym
Wszystkie elektryczne prace przyłączeniowe i instalacyjne należy wykonywać zgodnie z przepisami.

⚡ OSTRZEŻENIE - porażenie prądem elektrycznym
Podłączenie do sieci elektrycznej jest dopuszczalne tylko w postaci przyłącza stałego, w połączeniu z wymienną osłoną przewodu. Urządzenie musi mieć możliwość odłączania od sieci elektrycznej za pomocą wielobiegowego wyłącznika z rozwarciem styków wynoszącym min. 3 mm.

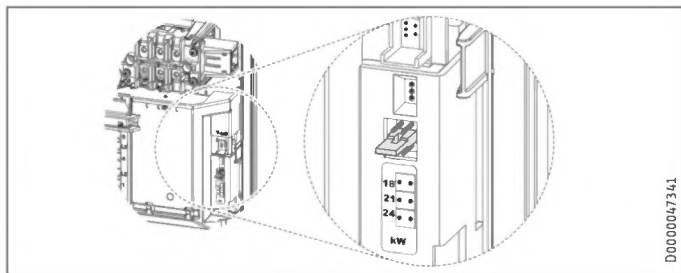
⚡ OSTRZEŻENIE - porażenie prądem elektrycznym
Zwrócić uwagę, aby urządzenie zostało podłączone do przewodu ochronnego.

! Szkody materialne
Zwrócić uwagę na treść tabliczki znamionowej. Podane napięcie musi być zgodne z napięciem sieciowym.

- ▶ Podłączyć elektryczny przewód przyłączeniowy do zacisku sieciowego (patrz rozdział „Dane techniczne / Schemat połączeń”).

PEO 18/21/24: Przełączenie wtyczki kodującej moc

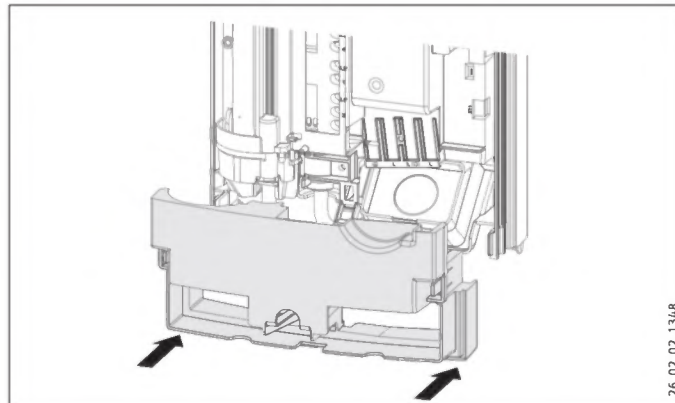
Urządzenie dostarczane jest z nastawą fabryczną na moc 21 kW. W celu przełączenia na inną moc przyłączeniową należy wykonać poniższe czynności:



D0000047341

- ▶ Przełączyć wtyczkę kodującą zgodnie z wybraną mocą przyłączeniową (moc przyłączeniowa i zabezpieczenie urządzenia do wyboru – patrz rozdział „Dane techniczne/Tabela danych”).
- ▶ Zaznaczyć wybraną moc przyłączeniową na tabliczce znamionowej. Do tego celu użyć długopisu.

Montaż dolnej części tylnej ścianki

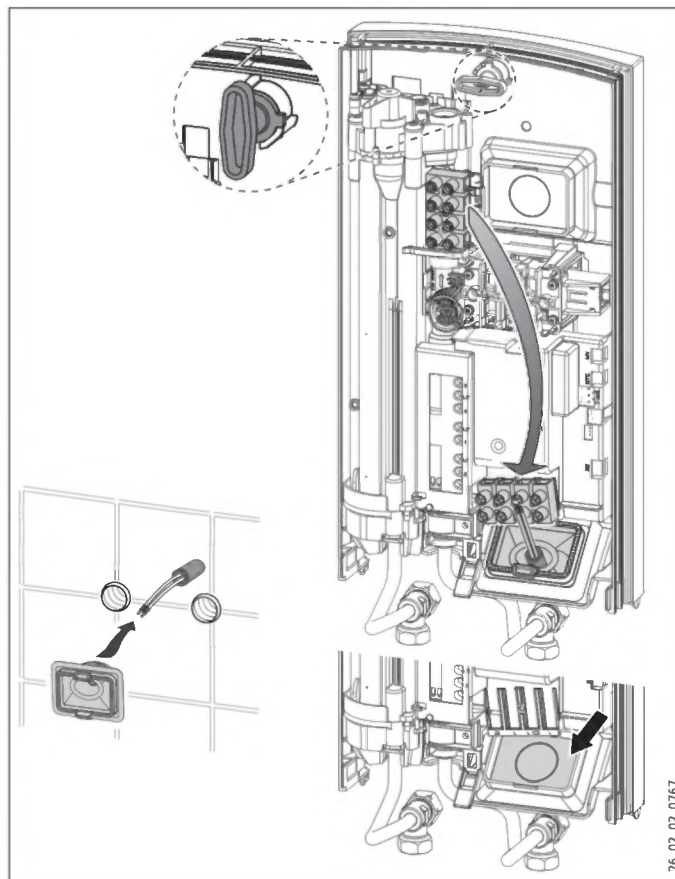


26_02_02_1348

- ▶ Zamontować dolną część do ściany tylnej i zaczepić ją.
- ▶ Wyrównać zamontowane urządzenie, zwalniając przetyczkę mocującą, wyrównując przyłączy elektryczne i tylną ściankę, a następnie z powrotem dokręcając przetyczkę mocującą. Jeżeli tylna ścianka urządzenia nie przylega równo, zamocować urządzenie przy użyciu dwóch dodatkowych wkrętów.

10.2 Inne sposoby montażu

10.2.1 Podtynkowe przyłączy elektryczne na dole



26_02_02_0767

- ▶ Zamontować osłonę przewodu.



Szkody materialne

W razie przygotowania nieodpowiedniego otworu w ścianie tylnej, należy użyć nowej ścianki tylnej!

- ▶ W odpowiednich miejscach tylnej ścianki przygotować otwór dla osłony przewodu. W razie potrzeby wygładzić ostre krawędzie pilnikiem.
- ▶ Przełożyć zacisk sieciowy w urządzeniu z góry do dołu.
- ▶ Założyć tylną ściankę na sworzeń gwintowany i osłonę przewodu. Przy użyciu szczypiec pociągnąć osłonę przewodu za haczyki blokujące do tylnej ścianki, aż haczyki zostaną zablokowane w słyszalny sposób.
- ▶ Docisnąć mocno tylną ściankę i zablokować przetyczkę mocującą, obracając ją w prawo o 90°.

10.2.2 Przyłącze elektryczne natynkowe



Wskazówka

Przy takim sposobie podłączenia zmienia się stopień ochrony urządzenia.

- ▶ Zmienić zapis na tabliczce znamionowej. Skreślić „IP 25” i zaznaczyć pole „IP 24”. Do tego celu użyć długopisu.



Szkody materialne

W razie przygotowania nieodpowiedniego otworu w ścianie tylnej, należy użyć nowej ścianki tylnej!

- ▶ Wyciąć lub równo wyłamać niezbędny przepust w tylnej ścianie (pozycje patrz rozdział „Dane techniczne / Wymiary i przyłącza”). W razie potrzeby wygładzić ostre krawędzie pilnikiem.
- ▶ Przeciągnąć elektryczny przewód przyłączeniowy przez osłonę przewodu i podłączyć go do zacisku sieciowego.

10.2.3 Podłączenie przełącznika priorytetu

W przypadku stosowania innych urządzeń elektrycznych dużej mocy może zaistnieć potrzeba zainstalowania przełącznika priorytetu montowanego w rozdzielni elektrycznej. W tym przypadku praca innych urządzeń podłączonych do przełącznika będzie wstrzymywana na czas pracy ogrzewacza.



Szkody materialne

Fazę włączającą przełącznik priorytetu należy podłączyć do odpowiednio oznaczonego zacisku sieciowego w urządzeniu (patrz rozdział „Dane techniczne / Schemat połączeń”).

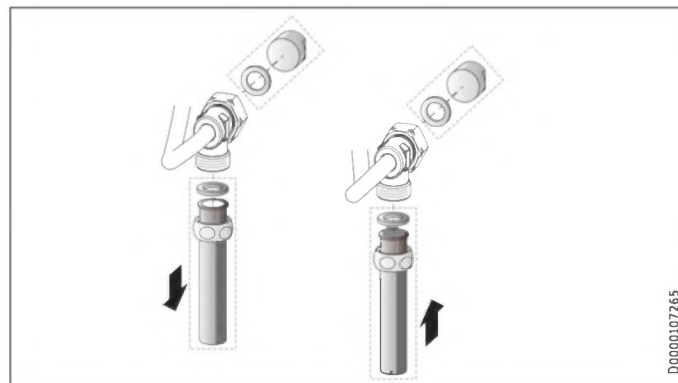
10.2.4 Natynkowa instalacja wodna



Wskazówka

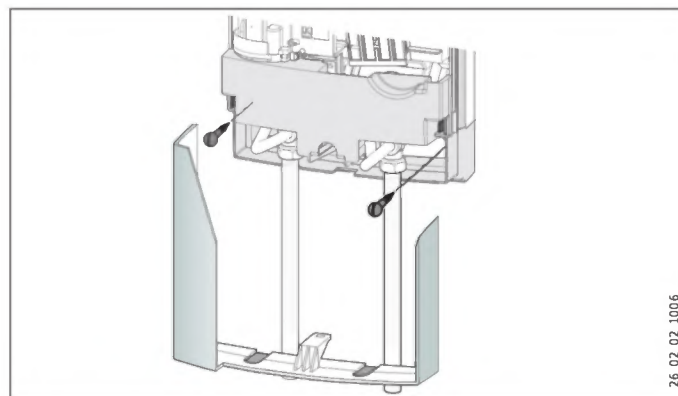
Przy takim sposobie podłączenia zmienia się stopień ochrony urządzenia.

- ▶ Zmienić zapis na tabliczce znamionowej. Skreślić „IP 25” i zaznaczyć pole „IP 24”. Do tego celu użyć długopisu.



D0000107265

- ▶ Zamontować korki z uszczelkami, aby zamknąć przyłącze podtynkowe.
- ▶ Zamontować odpowiednią armaturę ciśnieniową.



26_02_02_1006

- ▶ Przymocować tylną ściankę na dole przy użyciu dodatkowych śrub.
- ▶ Wsunąć dolną część tylnej ścianki pod rurki przyłączeniowe armatury i zaczepić ją.
- ▶ Przykręcić rurki przyłączeniowe do urządzenia.



Szkody materialne

W razie przygotowania nieodpowiedniego otworu w pokrywie urządzenia należy użyć nowej pokrywy!

- ▶ Dokładnie wyłamać otwory przelotowe w pokrywie urządzenia. W razie potrzeby wygładzić ostre krawędzie pilnikiem.

INSTALACJA

Uruchomienie

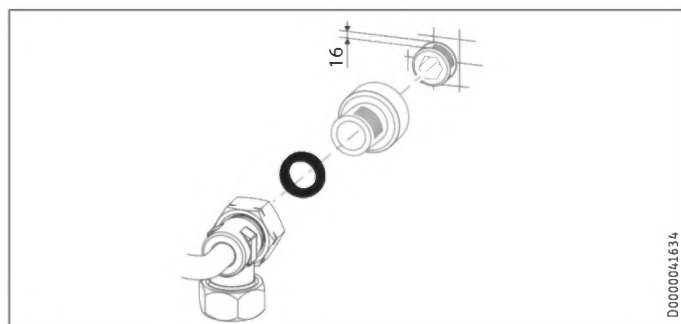
10.2.5 Podtynkowe przyłącze wody przy wymianie urządzenia

Jeżeli złączki podwójne pozostałe po poprzednim urządzeniu wystają tylko ok. 16 mm ze ściany, nie można użyć dostarczonej złączki podwójnej.



Wskazówka

W przypadku tego przyłącza, odcięcie dopływu zimnej wody jest możliwe tylko w instalacji domowej.

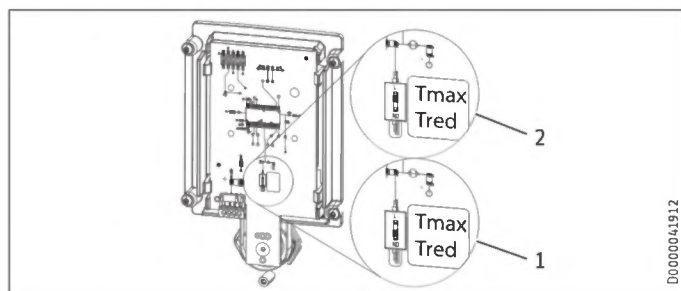


- ▶ Uszczelnić i wkręcić dostarczone przedłużenia armatury.
- ▶ Podłączyć urządzenie.

10.2.6 Eksploatacja ze wstępnie podgrzaną wodą

Poprzez montaż centralnej armatury termostatycznej można ograniczyć maksymalną temperaturę na zasilaniu.

10.2.7 Ograniczenie temperatury



- 1 Pozycja „Tred” (55 °C): Ograniczenie temperatury
- 2 Pozycja „Tmax”: brak ogranicznika temperatury, zakres nastaw temperatur, patrz rozdział „Dane techniczne / Tabela danych”.

- ▶ Zdjąć pokrywę urządzenia.
- ▶ Przesunąć przełącznik na żądaną pozycję.
- ▶ Zamontować pokrywę urządzenia.



OSTROŻNIE - poparzenie

Przy zasilaniu wodą wstępnie podgrzaną nastawione ograniczenie temperatury może być nieskuteczne.

- ▶ W takim przypadku temperaturę należy ograniczyć na centralnej armaturze termostatycznej umieszczonej przed urządzeniem.

10.3 Zakończenie montażu

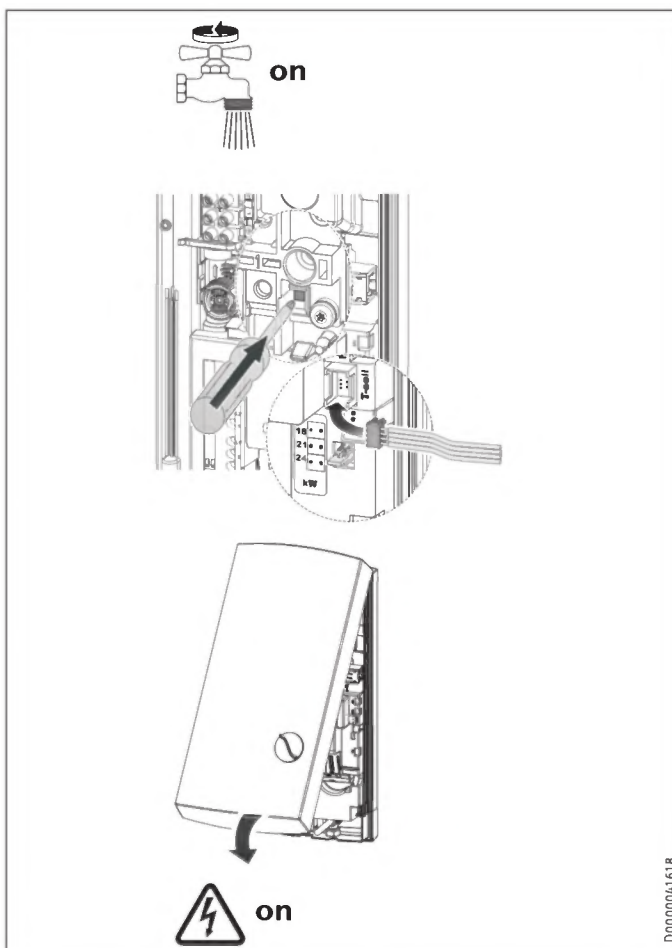
- ▶ Otworzyć zawór odcinający w złączce podwójnej lub przewodzie doprowadzającym zimną wodę.

11. Uruchomienie



OSTRZEŻENIE - porażenie prądem elektrycznym
Uruchomienie może zostać przeprowadzone wyłącznie przez wyspecjalizowanego Instalatora lub Serwisanta, z zachowaniem przepisów bezpieczeństwa.

11.1 Pierwsze uruchomienie



- ▶ Kilkakrotnie otworzyć i zamknąć wszystkie podłączone armatury poboru wody, aż do usunięcia całego powietrza z urządzenia i instalacji.
- ▶ Przeprowadzić kontrolę szczelności.
- ▶ Uaktywnić ogranicznik ciśnienia bezpieczeństwa, wciskając na stałe przycisk resetowania (urządzenie dostarczane jest z nieaktywnym ogranicznikiem ciśnienia bezpieczeństwa).
- ▶ Podłączyć wtyczkę przewodu nadajnika wartości zadanej temperatury do elektroniki.
- ▶ Zamontować pokrywę urządzenia, aż zatrzaśnie się w sposób słyszalny. Sprawdzić prawidłowe osadzenie pokrywy urządzenia.
- ▶ Włączyć napięcie sieci.
- ▶ Sprawdzić prawidłowość pracy urządzenia.

Przekazanie urządzenia

- ▶ Objaśnić użytkownikowi sposób działania urządzenia i zapoznać go ze sposobem użytkowania.
- ▶ Poinformować użytkownika o potencjalnych zagrożeniach, zwłaszcza o niebezpieczeństwie poparzenia.
- ▶ Przekazać niniejszą instrukcję.

11.2 Ponowne uruchomienie

Odpowietrzyć urządzenie i przewód doprowadzający wody zimnej (patrz rozdział „Nastawy”).

Patrz rozdział „Pierwsze uruchomienie”.

12. Wyłączenie z eksploatacji

- ▶ Odłączyć urządzenie na wszystkich biegunach od przyłącza sieciowego.
- ▶ Opróżnić urządzenie (patrz rozdział „Konserwacja”).

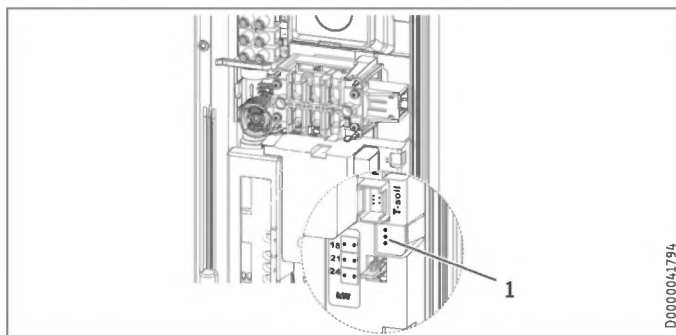
13. Usuwanie usterek



OSTRZEŻENIE - porażenie prądem elektrycznym
Aby umożliwić sprawdzenie urządzenia, należy doprowadzić do niego napięcie sieciowe.

Możliwe wskazania diagnostycznego wskaźnika (LED)

●	Czerwony	świeci się w razie usterek
●	Żółty	świeci się w trybie grzania
○	Zielony	miga: urządzenie podłączone do sieci



1 Wskaźnik diagnostyczny

Usterka / Wskazanie wskaźnika diagnostycznego	Przyczyna	Usuwanie
Zbyt mały przepływ.	Zanieczyszczone sitko w urządzeniu.	Wyczyścić sitko.
Zadana temperatura nie jest osiągnięta.	Brak fazy.	Sprawdzić bezpiecznik w instalacji domowej.
Ogrzewanie nie włącza się.	Funkcja wykrywania powietrza, wykrywa powietrze w wodzie i wyłącza moc grzewczą.	Urządzenie powraca do pracy po minucie.
Brak ciepłej wody i brak wskazania na wskaźniku.	Zadziałał bezpiecznik.	Sprawdzić bezpiecznik w instalacji domowej.
	Ogranicznik ciśnienia bezpieczeństwa AP 3 spowodował wyłączenie.	Usunąć przyczynę błędu (na przykład uszkodzona turbinka kontroli ciśnienia). Zabezpieczyć system grzewczy przed przegrzaniem, otwierając na minutę armaturę poboru znajdującą się za urządzeniem. Powoduje to zredukowanie ciśnienia i schłodzenie systemu grzewczego. Aktywować ogranicznik ciśnienia bezpieczeństwa przy ciśnieniu przepływu, naciskając przycisk odblokowania (patrz rozdział „Pierwsze uruchomienie”).
	Elektronika uszkodzona.	Sprawdzić elektronikę, w razie potrzeby wymienić.
Wskazanie kontrolki: kolor zielony, miga lub świeci ciągle	Elektronika uszkodzona.	Sprawdzić elektronikę, w razie potrzeby wymienić.
Brak ciepłej wody przy przepływie > 2,5 l/min.	Kontrola przepływu DFE nie jest podłączona.	Z powrotem podłączyć wtyczkę kontroli przepływu.
	Kontrola przepływu DFE jest uszkodzona.	Sprawdzić kontrolę przepływu i w razie potrzeby wymienić ją.
Wskazanie kontrolki: kolor żółty – światło ciągłe, kolor zielony miga	Ogranicznik temperatury bezpieczeństwa zadziałał lub jest przerwany.	Sprawdzić ogranicznik temperatury bezpieczeństwa i w razie potrzeby wymienić go.
Brak ciepłej wody przy przepływie > 3 l/min.	System grzewczy jest uszkodzony.	Zmierzyć oporność systemu grzewczego, ew. wymienić.
	Elektronika uszkodzona.	Sprawdzić elektronikę, w razie potrzeby wymienić.
Wskazanie kontrolki: kolor żółty – światło ciągłe, kolor zielony miga	Wyciągnięty czujnik wylotowy lub uszkodzenie przewodu.	Wetknąć czujnik wylotowy, a w razie potrzeby wymienić.
Wskazanie kontrolki: kolor czerwony – światło ciągłe, kolor zielony miga	Uszkodzony czujnik zimnej wody.	Sprawdzić elektronikę, w razie potrzeby wymienić.
Brak ciepłej wody Nie jest osiągnięta temperatura zadana > 45 °C.	Temperatura zimnej wody na wejściu jest wyższa niż 45 °C.	Zmniejszyć temperaturę zimnej wody doprowadzanej do urządzenia.
	Wskazanie kontrolki: kolor czerwony – światło ciągłe, kolor zielony miga	Czujnik wylotowy jest uszkodzony (zwarcie).

14. Konserwacja



OSTRZEŻENIE - porażenie prądem elektrycznym
Przed przystąpieniem do wszelkich prac należy odłączyć urządzenie na wszystkich biegunach od sieci.

Opróżnianie urządzenia

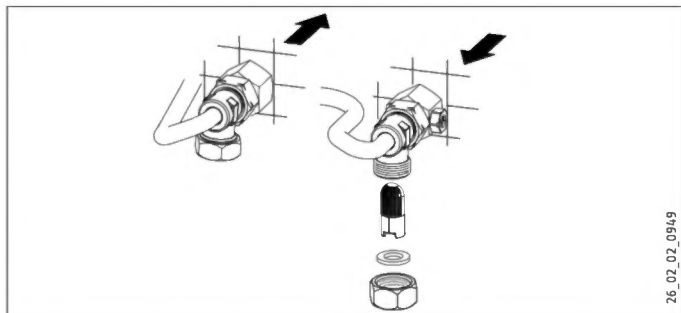
Urządzenie można opróżnić do celów konserwacyjnych.



OSTRZEŻENIE - poparzenie
Podczas opróżniania urządzenia może wypłynąć gorąca woda.

- ▶ Zamknąć zawór odcinający w złącze podwójnej lub przewodzie doprowadzającym zimną wodę.
- ▶ Otworzyć wszystkie armatury poboru wody.
- ▶ Odkręcić przyłącza wody od urządzenia.
- ▶ Zdemontowane urządzenie przechowywać w miejscu zabezpieczonym przed mrozem, ponieważ resztki wody pozostałe w urządzeniu mogą doprowadzić do jego zamrożenia i uszkodzenia.

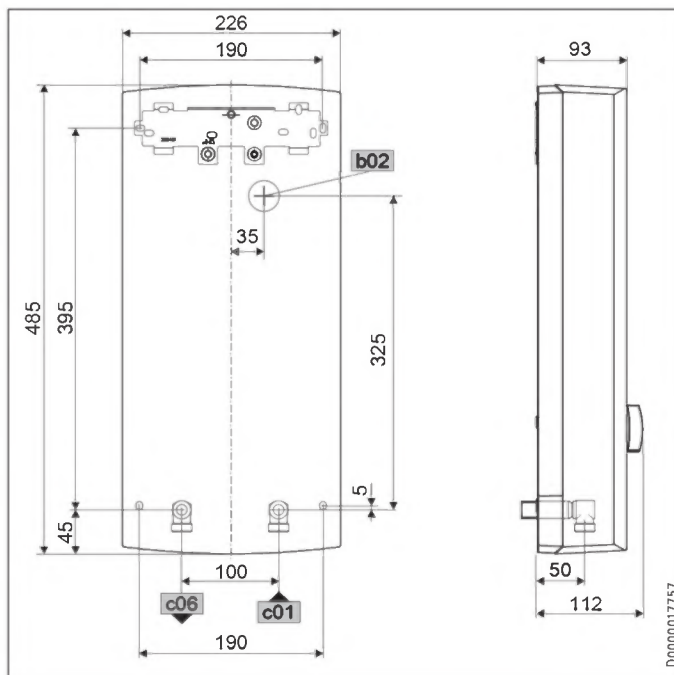
Czyszczenie sitka



W razie zabrudzenia, oczyścić sitko w przyłączy zimnej wody. Podłączyć zawór odcinający przewodu doprowadzającego wody zimnej przez wymontowaniem, oczyszczeniem i ponownym zamontowaniem sitka.

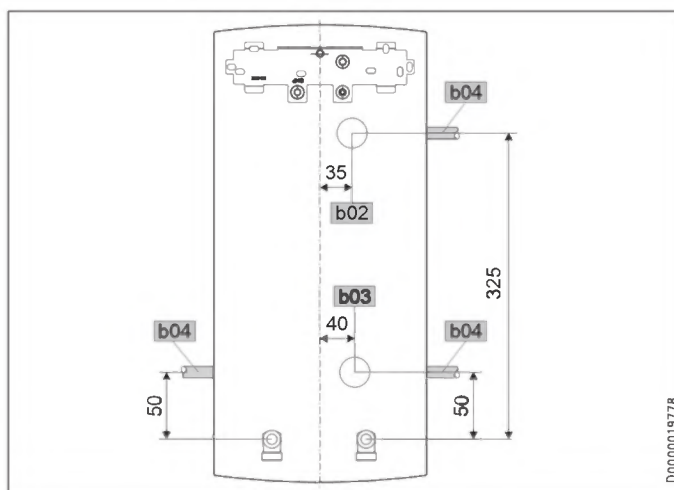
15. Dane techniczne

15.1 Wymiary i przyłącza



b02	Przepust na przewody elektryczne I		
c01	Zimna woda, zasilanie	Gwint zewnętrzny	G 1/2 A
c06	Ciepła woda, wyjście	Gwint zewnętrzny	G 1/2 A

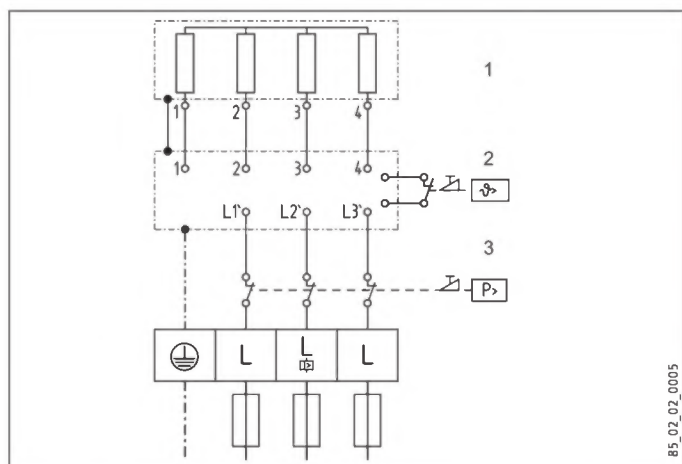
Inne możliwości podłączenia



b02	Przepust na przewody elektryczne I		
b03	Przepust na przewody elektryczne II		
b04	Przepust na przewody elektryczne III		

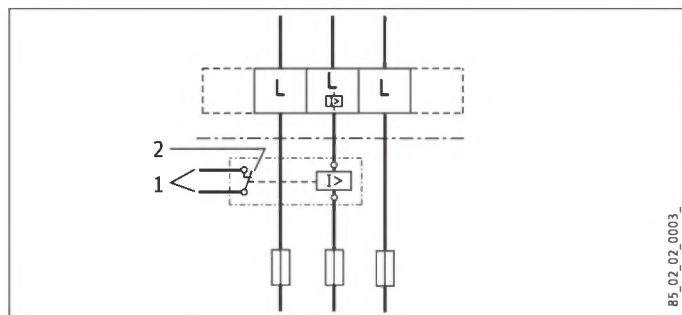
15.2 Schemat połączeń elektrycznych

3/PE ~ 380-415 V



- 1 Grzałki
- 2 Ogranicznik temperatury bezpieczeństwa
- 3 Ogranicznik ciśnienia bezpieczeństwa

Przełączanie priorytetowe za pomocą LR 1-A



- 1 Przewód sterujący do stycznika drugiego urządzenia (np. elektrycznego pieca akumulacyjnego).
- 2 Zestyk sterujący otwiera się po włączeniu przepływowego ogrzewacza wody.

15.3 Wydajność CWU

Wydajność ciepłej wody zależy od doprowadzonego napięcia sieciowego, mocy przyłączeniowej urządzenia i temperatury zimnej wody na zasilaniu urządzenia. Napięcie znamionowe oraz moc znamionowa należy odczytać z tabliczki znamionowej (patrz rozdział „Usuwanie problemów”).

Moc przyłączeniowa w kW		38 °C – wydajność ciepłej wody w L/min.				
Napięcie znamionowe		Temperatura zimnej wody na zasilaniu				
380 V	400 V	415 V	5 °C	10 °C	15 °C	20 °C
16,2			7,0	8,3	10,1	12,9
19,0			8,2	9,7	11,8	15,1
21,7			9,4	11,1	13,5	17,2
	18,0		7,8	9,2	11,2	14,3
	21,0		9,1	10,7	13,0	16,7
	24,0		10,4	12,2	14,9	19,0
		19,4	8,4	9,9	12,0	15,4
		22,6	9,8	11,5	14,0	17,9
		25,8	11,2	13,2	16,0	20,5
24,4			10,6	12,4	15,2	19,4
	27,0		11,7	13,8	16,8	21,4

Moc przyłączeniowa w kW		50 °C – wydajność ciepłej wody w L/min.				
Napięcie znamionowe		Temperatura zimnej wody na zasilaniu				
380 V	400 V	415 V	5 °C	10 °C	15 °C	20 °C
16,2			5,1	5,8	6,6	7,7
19,0			6,0	6,8	7,8	9,0
21,7			6,9	7,8	8,9	10,3
	18,0		5,7	6,4	7,3	8,6
	21,0		6,7	7,5	8,6	10,0
	24,0		7,6	8,6	9,8	11,4
		19,4	6,2	6,9	7,9	9,2
		22,6	7,2	8,1	9,2	10,8
		25,8	8,2	9,2	10,5	12,3
24,4			7,7	8,7	10,0	11,6
	27,0		8,6	9,6	11,0	12,9

15.4 Zakres pracy / tabela przeliczeniowa

Oporność elektryczna właściwy i przewodność elektryczna właściwa, patrz rozdział „Tabela danych”.

Wartość znamionowa przy 15 °C		20 °C		25 °C				
Oporność $\rho \geq$	Przewodność $\sigma \leq$	Oporność $\rho \geq$	Przewodność $\sigma \leq$	Oporność $\rho \geq$	Przewodność $\sigma \leq$			
$\Omega \text{ cm}$	mS/m	$\mu\text{S/cm}$	$\Omega \text{ cm}$	mS/m	$\mu\text{S/cm}$			
900	111	1111	800	125	1250	735	136	1361
1000	100	1000	890	112	1124	815	123	1227
1200	83	833	1070	93	935	985	102	1015
1300	77	769	1175	85	851	1072	93	933

15.5 Straty ciśnienia

Armatury

Strata ciśnienia w armaturze, przy przepływie 10 L/min

Jednouchwytna armatura mieszająca, ok.	MPa	0,04 - 0,08
Armatura termostatyczna, ok.	MPa	0,03 - 0,05
Natrysk ręczny, ok.	MPa	0,03 - 0,15

Wymiarowanie sieci rur

Do zaprojektowania sieci rur zaleca się uwzględnienie dla urządzenia straty ciśnienia wynoszącej 0,1 MPa.

15.6 Warunki awaryjne

W razie awarii w instalacji mogą chwilowo występować obciążenia maks. 95 °C przy ciśnieniu 1,2 MPa.

INSTALACJA

Dane techniczne

15.7 Dane dotyczące zużycia energii

Karta danych produktu: Konwencjonalny podgrzewacz ciepłej wody użytkowej zgodnie z rozporządzeniem (UE) nr 812/2013 | 814/2013

		PEO 18/21/24 233991	PEO 27 233992
Producent		STIEBEL ELTRON	STIEBEL ELTRON
Profil obciążeń		S	S
Klasa efektywności energetycznej		A	A
Sprawność energetyczna	%	39	39
Roczne zużycie prądu	kWh	477	481
Fabryczne ustawienie temperatury	°C	60	60
Poziom mocy akustycznej	dB(A)	15	15
Szczegółne uwagi dotyczące pomiaru efektywności		Dane w przypadku Pmaks.	Pomiar przy DMB 8,5 l/min
Dzienne zużycie prądu	kWh	2,198	2,220

15.8 Tabela danych

		PEO 18/21/24 233991			PEO 27 233992	
Dane elektryczne						
Napięcie znamionowe	V	380	400	415	380	400
Moc znamionowa	kW	16,2/19/21,7	18/21/24	19,4/22,6/25,8	24,4	27
Prąd znamionowy	A	27,6/29,5/33,3	29/31/35	30,1/32,2/36,3	37,1	39
Zabezpieczenie	A	32/32/35	32/32/35	32/32/40	40	40
Częstotliwość	Hz	50/60	50/60	50/-	50/60	50/60
Fazy				3/PE		3/PE
Oporność właściwa $\rho_{15} \geq$ (przy $\vartheta_{zimnej} \leq 25$ °C)	Ω cm	900	900	1000	900	900
Przewodność właściwa $\sigma_{15} \leq$ (przy $\vartheta_{zimnej} \leq 25$ °C)	$\mu S/cm$	1111	1111	1000	1111	1111
Oporność właściwa $\rho_{15} \geq$ (przy $\vartheta_{zimnej} \leq 45$ °C)	Ω cm	1200	1200	1300	1200	1200
Przewodność właściwa $\sigma_{15} \leq$ (przy $\vartheta_{zimnej} \leq 45$ °C)	$\mu S/cm$	833	833	770	833	833
Maks. impedancja sieci przy 50 Hz	Ω	0,284	0,270	0,260	0,254	0,241
Wykonania						
Wytwornica ciepła systemu grzewczego				Z odkrytą grzałką		Z odkrytą grzałką
Blok izolacyjny				Tworzywo sztuczne		Tworzywo sztuczne
Regulacja temperatury	°C			30-60		30-60
Klasa ochrony				1		1
Pokrywa i ścianka tylna				Tworzywo sztuczne		Tworzywo sztuczne
Stopień ochrony (IP)				IP25		IP25
Kolor				Biały		Biały
Przyłącza						
Przyłącze wody				G 1/2 A		G 1/2 A
Granice stosowania						
Maks. dopuszczalne ciśnienie	MPa			1		1
Maks. temp. podgrzanej wody na zasilaniu	°C			45		45
Parametry						
Maks. dopuszczalna temperatura wody na zasilaniu	°C			60		60
Włączone	l/min			>2,5		>2,5
Wydajność CWU	l/min			9,4/11,0/12,6		14,2
$\Delta\vartheta$ przy wydajności	K			26		26
Dane hydrauliczne						
Pojemność znamionowa	l			0,4		0,4
Wymiary						
Wysokość	mm			485		485
Szerokość	mm			226		226
Głębokość	mm			93		93
Masy						
Masa	kg			3,6		3,6



Wskazówka

Urządzenie jest zgodne z IEC 61000-3-12.

Gwarancja

Urządzeń zakupionych poza granicami Niemiec nie obejmują warunki gwarancji naszych niemieckich spółek. Ponadto w krajach, w których jedna z naszych spółek córek jest dystrybutorem naszych produktów, gwarancji może udzielić wyłącznie ta spółka. Taka gwarancja obowiązuje tylko wówczas, gdy spółka-córka sformułowała własne warunki gwarancji. W innych przypadkach gwarancja nie jest udzielana.

Nie udzielamy gwarancji na urządzenia zakupione w krajach, w których żadna z naszych spółek córek nie jest dystrybutorem naszych produktów. Ewentualne gwarancje udzielone przez importera zachowują ważność.

Ochrona środowiska i recycling

Pomóż chronić środowisko naturalne. Materiały po wykorzystaniu należy utylizować zgodnie z krajowymi przepisami.

KÜLÖNLEGES TUDNIVALÓK

KEZELÉS

1.	Általános tudnivalók	65
1.1	Biztonsági tudnivalók	65
1.2	A dokumentumban használt egyéb jelölések	66
1.3	Mértékegységek	66
2.	Biztonság	66
2.1	Rendeltetésszerű használat	66
2.2	Általános biztonsági tudnivalók	66
2.3	Tanúsítvány	66
3.	Készülék-leírás	66
4.	Beállítások	67
4.1	Beállítási javaslat	67
5.	Tisztítás, ápolás és karbantartás	67
6.	Hibaelhárítás	67

TELEPÍTÉS

7.	Biztonság	68
7.1	Általános biztonsági tudnivalók	68
7.2	Zuhanyozás	68
7.3	Előírások, szabványok és rendelkezések	68
8.	Készülék-leírás	68
8.1	Szállítási terjedelem	68
9.	Előkészületek	68
9.1	Felszerelési hely	68
9.2	Vízszelelés	69
10.	Szerelés	69
10.1	Szabványos szerelés	69
10.2	Szerelési alternatívák	72
10.3	A telepítés befejezése	74
11.	Üzembe helyezés	74
11.1	Első üzembe helyezés	74
11.2	Ismételt üzembe helyezés	75
12.	Üzemen kívül helyezés	75
13.	Üzemzavar-elhárítás	75
14.	Karbantartás	76
15.	Műszaki adatok	76
15.1	Méretek és csatlakozások	76
15.2	Villamos kapcsolási rajz	77
15.3	HMV-teljesítmény	77
15.4	Alkalmazási területek / átszámítási táblázatok	77
15.5	Nyomásvesztések	77
15.6	Üzemzavarok	77
15.7	Energiafogyasztási adatok	78
15.8	Adattábla	78

GARANCIA

KÖRNYEZETVÉDELMEK ÉS ÚJRAHASZNOSÍTÁS

KÜLÖNLEGES TUDNIVALÓK

- A készüléket a 3 éves kort betöltött gyermekek, valamint testi, érzékszervi vagy szellemi fogyatékkal élők, hozzá nem értő és a terméket nem ismerő személyek abban az esetben használhatják, ha eközben felügyelet alatt állnak vagy ha a készülék biztonságos használatával kapcsolatban betanítást kaptak és a használatból eredő veszélyeket megértették. Gyermekek nem játszhatnak a készülékkel. Gyermekek felügyelet nélkül nem végezhetik a készülék tisztítását és felhasználói karbantartását.
- A csaptelep hőmérséklete elérheti a 60 °C-ot. 43 °C-nál magasabb kiömlési hőmérséklet esetén fennáll a leforrázás veszélye.
- A készülék zuhanyzó (zuhanyüzem) ellátására alkalmas. Ha a készüléket zuhanyozásra is vagy kizárólag arra használja, akkor a szakembernek aktiválnia kell a készülékben a hőmérséklet-beállítási tartományt a hőmérséklet-határolón (Tred = 55 °C) keresztül. Előmelegített víz használatakor biztosítani kell, hogy annak bejövő hőmérséklete ne haladja meg az 55 °C-ot.
- Összpólusú, legalább 3 mm érintkezőtávolságú megszakítóval kell biztosítani a készülék hálózatról való leválasztásának lehetőségét.
- A megadott feszültségnek meg kell egyeznie a feszültségellátással.
- A készülék védővezetékét be kell kötni.
- A készüléket fixen kell bekötni.
- A készüléket a „Telepítés / Szerelés” c. fejezetben leírtak szerint erősítse fel.
- Ügyeljen a megengedett maximális nyomásra (lásd a „Telepítés / Műszaki adatok / Adattábla” c. fejezetet).

- A készülék telepítésekor a fajlagos vízellenállás nem lehet kisebb a vízellátó hálózatra megadott értéknél (lásd a „Műszaki adatok / Adattábla“ c. fejezetet).
- Ūrítse le a készüléket, a „Telepítés / Karbantartás / A készülék leürítése“ c. fejezet szerint.

KEZELÉS

1. Általános tudnivalók

A „Különleges tudnivalók“, valamint a „Kezelés“ c. fejezet a felhasználóknak és a szakembereknek szól.

A „Telepítés“ c. fejezet a szakemberek számára szükséges információkat tartalmazza.



Tudnivaló

Használat előtt olvassa el gondosan ezt az útmutatót és őrizze meg.

Ha továbbadja a készüléket, akkor az útmutatót is adja át a következő felhasználónak.

1.1 Biztonsági tudnivalók

1.1.1 A biztonsági tudnivalók felépítése



JELZŐSZÓ A veszély jellege

Itt a biztonsági utasítások figyelmen kívül hagyásából adódó esetleges következmények találhatóak.

► Itt a veszély elhárításához szükséges intézkedések találhatóak.

1.1.2 Szimbólumok, a veszély jellege

Szimbólum	A veszély jellege
	Sérülés
	Áramütés
	Égési sérülés (Égési sérülés, forrázás)

1.1.3 Jelzőszavak

JELZŐSZÓ	Jelentése
VESZÉLY	Olyan tudnivalók, amelyek figyelmen kívül hagyása sérüléshez vagy halálhoz vezet.
FIGYELMEZTETÉS	Olyan tudnivalók, amelyek be nem tartása súlyos vagy halálos sérüléseket okozhat.
VIGYÁZAT	Olyan tudnivalók, amelyek figyelmen kívül hagyása közepesen súlyos vagy könnyű sérülésekhez vezethet.

1.2 A dokumentumban használt egyéb jelölések



Tudnivaló

Az általános tudnivalókat a mellettük lévő szimbólumok jelölik.

► Gondosan olvassa el ezt a fejezetet.

Szimbólum

Jelentése



Anyagi kár
(készülék sérülése, közvetett kár, környezeti kár)



A készülék ártalmatlanítása

► Ez a szimbólum azt jelzi Önnek, hogy valamilyen teendője van. A szükséges műveleteket lépésről lépésre ismertetjük.

1.3 Mértékegységek



Tudnivaló

Amennyiben nem jelöljük másképp, a méretek mm-ben értendők.

2. Biztonság

2.1 Rendeltetésszerű használat

A nyomástartó készülék ivóvíz felmelegítésére vagy előmelegített víz utómelegítésére szolgál. A készülék egy vagy több vízvételi helyet képes ellátni.

A készülék háztartási használatra készült. A készüléket képzetlen személyek is biztonságosan használhatják. A készülék nem háztartási (pl. kisvállalkozási) környezetben is használható, amennyiben a felhasználás módja azonos.

Az ettől eltérő vagy ezen túlmutató felhasználás nem rendeltetésszerűnek minősül. A rendeltetésszerű használat egyúttal azt is feltételezi, hogy betartják a jelen útmutatóban, valamint az alkalmazott tartozékok útmutatóiban foglaltakat is.

2.2 Általános biztonsági tudnivalók



VIGYÁZAT Égési sérülés

A csaptelep hőmérséklete elérheti a 60 °C-ot. 43 °C-nál magasabb kiömlési hőmérséklet esetén fennáll a leforrázás veszélye.



VIGYÁZAT Égési sérülés

A melegvíz hőmérséklete eltérhet a beállított névleges értéktől előmelegített – pl. szolárberendezésből származó – vizet használó üzemben.



FIGYELMEZTETÉS Sérülés

A készüléket a 3 éves kort betöltött gyermekek, valamint testi, érzékszervi vagy szellemi fogyatékkal élők, hozzá nem értő és a terméket nem ismerő személyek abban az esetben használhatják, ha eközben felügyelet alatt állnak vagy ha a készülék biztonságos használatával kapcsolatban betanítást kaptak és a használatból eredő veszélyeket megértették. Gyermekek nem játszhatnak a készülékkel. Gyermekek felügyelet nélkül nem végezhetik a készülék tisztítását és felhasználói karbantartását.

Ha készüléket gyermekek vagy testi, érzékszervi, illetve szellemi fogyatékkal élő személyek használják, akkor ajánlott a hőmérsékletet tartósan korlátozni. A korlátozást szakember állíthatja be.



Anyagi kár

A készüléket és a csaptelepet az üzemeltetőnek védenie kell a fagytól.

2.3 Tanúsítvány

Lásd a készülék típus tábláját.

3. Készülék leírás

Az elektronikusan vezérelt, automatikus teljesítményszabályozással ellátott átfolyó üzemű vízmelegítő a teljesítményhatárig állandó értéken tartja a kiömlési hőmérsékletet. A hőmérsékletet ezután a vízvételi csaptelepen kell kiválasztani.

Fűtésrendszer

A csupaszdrtótos fűtésrendszer nyomásálló műanyag köpennyel van ellátva. A fűtésrendszer alkalmas lágy vagy kemény vízhez; az szinte egyáltalán nem hajlamos a vízkövesedésre. A fűtésrendszer gyors és hatékony melegvíz-ellátást biztosít.

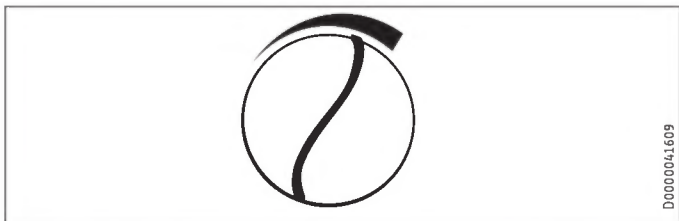


Tudnivaló

A készülék levegőérzékelővel van ellátva, amely hatékonyan megakadályozza a fűtésrendszer károsodását. Amennyiben üzem közben levegő kerül a készülékbe, a fűtés egy percre kikapcsol, és ezzel védelmet nyújt a fűtésrendszer számára.

4. Beállítások

A melegvíz kiömlési hőmérséklete fokozatmentesen állítható. Megjelenik a kiválasztott hőmérséklet. 43 °C feletti hőmérsékleteknél a kijelző színe kékről pirosra változik, így jelezve a forrázásvesztélyt.



► Fordítsa a beállítógombot a kívánt hőmérsékletre.



Tudnivaló

Ha teljesen nyitott vízcsapnál és maximális hőmérsékleti beállítás mellett sem adódik megfelelő kiömlési hőmérséklet, több víz folyik át a készüléken, mint amennyit a fűtésrendszer fel tud melegíteni (a készülék elérte a teljesítményének határát).

► Csökkentse a vízmennyiséget a vízcsapon.

4.1 Beállítási javaslat

Termosztátos csaptelep

Az átfolyós vízmelegítő gondoskodik a melegvíz-ellátás maximális pontosságáról és maximális kényelméről. Ha azonban a készüléket termosztátos csapteleppel működteti, javasoljuk:

► Állítsa a készüléken a hőmérsékletét alapjelét 50 °C-nál nagyobb értékre. A kívánt hőmérséklet-alapjelet a termosztátos csaptelepen kell beállítani.

Teendők a vízellátás szüneteltetését követően



Anyagi kár

Annak érdekében, hogy a csupaszdrtós fűtésrendszer a vízszolgáltatás szünetelése után ne hibásodjon meg, a készüléket az alábbi lépéseken keresztül kell ismét üzembe állítani.

- Kapcsolja le a feszültséget a készülékről a biztosítékok lekapcsolásával.
- Nyissa ki a csaptelepet egy percre addig, amíg a készülék és a hidegvíz-bekötővezeték légmentessé nem válik.
- Kapcsolja vissza a hálózati feszültséget.

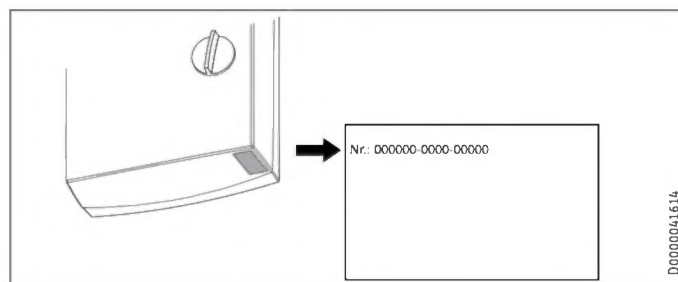
5. Tisztítás, ápolás és karbantartás

- Súroló hatású vagy oldószer tartalmú tisztítószer használata tilos! A készülék ápolása és tisztítása nedves ruhával végezhető.
- Rendszeresen ellenőrizze a csaptelepeket. A csaptelepek kifolyócsövein lerakódott vízkő kereskedelmi forgalomban kapható vízkőoldóval eltávolítható.

6. Hibaelhárítás

Probléma	Kiváltó ok	Elhárítás
A készülék még akkor sem kapcsolódik be, ha teljesen meg van nyitva a melegvíz-csap.	Nincs feszültség.	Ellenőrizze a biztosítékokat az épület elektromos rendszerében.
	Túl kevés az átfolyó mennyiség. A csaptelep vízszugárszabályzója vagy a zuhanyfej elvízkövesedett vagy elszennyeződött.	Tisztítsa meg és/vagy vízkőmentesítse a sugárszabályzót és a zuhanyfejet.
A melegvíz hőmérséklete nem éri el a kívánt értéket (> 45 °C).	Megszűnt a vízellátás.	Légtelenítse a készüléket és a hidegvíz-bekötővezetékét (lásd a „Beállítások” c. fejezetet).
	A hidegvíz bejövő hőmérséklete > 45 °C.	Csökkentse a hidegvíz bejövő hőmérsékletét.

Ha az okot nem tudja elhárítani, akkor forduljon szakemberhez. A jobb és gyorsabb segítség érdekében adja meg a típus táblán látható gyári számot (000000-0000-00000).



TELEPÍTÉS

7. Biztonság

A készülék telepítését, üzembe helyezését, illetve karbantartását és javítását csak szakember végezheti.

7.1 Általános biztonsági tudnivalók

A kifogástalan működést és az üzembiztonságot csak abban az esetben garantáljuk, ha a készülékhez való eredeti tartozékokat és eredeti pótalkatrészeket használják.

Áramlási nyomás

Ha az átfolyási mennyiség még a csaptelep nyitott állapotában sem elegendő a készülék bekapcsolásához, távolítsa el az átfolyásimennyiség-korlátozót, és cserélje ki a mellékelt műanyag alátétre.

Adott esetben azonban a vízhálózat nyomásának megnövelése is segíthet.



Tudnivaló

A termosztatikus csaptelep helyes működése érdekében az ilyen típusú csaptelepeknél ne cserélje le az átfolyásimennyiség-korlátozót a műanyag alátétre.



Anyagi kár

Vegye figyelembe a maximális bejövő hőmérsékletet. Magasabb hőmérséklet esetén a készülék károsodhat. Központi termosztatós csaptelep beépítésével korlátozhatja a maximális bejövő hőmérsékletet.



FIGYELMEZTETÉS Áramütés

Ez a készülék olyan kondenzátorokat tartalmaz, amelyek a hálózatról történő leválasztás után lemerülnek. A kondenzátor egyenáramú kisülési feszültsége adott esetben rövid időre meghaladhatja a 60 V-ot.

7.2 Zuhanyozás



VIGYÁZAT Égési sérülés

► Ha a vízzel zuhanyzót lát el, állítsa a belső hőmérséklet-korlátozást „Tred“-re, lásd a „Beépítési lehetőségek / Hőmérséklet-korlátozás“ c. fejezetet.



VIGYÁZAT Égési sérülés

Ha a készüléket előmelegített vízzel táplálja, vegye figyelembe a következő tudnivalót: A hőmérséklet túllépheti a készülékben beállítható korlátozást.

► Korlátozza a hőmérsékletet egy, a készülék elé szerelt központi termosztatikus csapteleppel.

7.3 Előírások, szabványok és rendelkezések



Tudnivaló

Tartson be minden nemzeti és helyi előírást, illetve rendelkezést.

- Az IP 25 védettség (vízsugár elleni védelem) csak szakszerűen szerelt kábelvédő hüvely esetén szavatolt.
- A víz fajlagos elektromos ellenállása nem lehet kisebb a típustáblán megadott értéknél. Összekapcsolt vízhálózat esetén a víz legalacsonyabb elektromos ellenállását kell figyelembe venni (lásd a „Műszaki adatok / Alkalmazási területek / átszámítási táblázatok“ c. fejezetet). A víz fajlagos elektromos ellenállásáról, illetve a víz vezetőképességéről a vízszolgáltatónál tájékozódhat.

8. Készülék-leírás

8.1 Szállítási terjedelem

A készülékkel együtt leszállított tartozékok:

- Fali tartó
- Menetes csapszegek fali tartóhoz
- Szerelősablon
- 2 db kettős közcsavar (hidegvíz-zárószeleppel)
- Lapostömítések
- Kábel tömszelence (elektromos tápvezeték, felső/alsó)
- Csavarok/tiplik a hátfal rögzítéshez falon kívül szerelt vízcsatlakozó esetén

A készülék cseréjéhez:

- 2 db csaphosszabbító

9. Előkészületek

9.1 Felszerelési hely



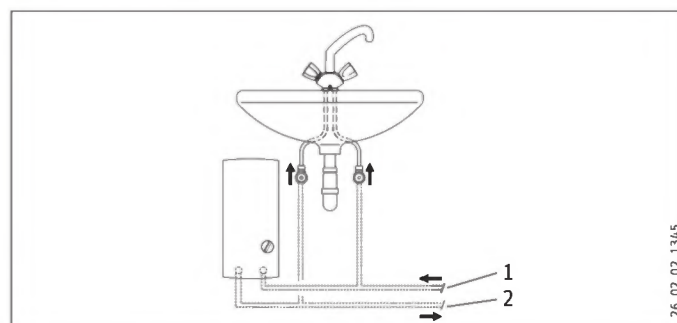
Anyagi kár

A készülék csak fagymentes helyiségben szerelhető fel.

- A készüléket mindig függőleges helyzetben és a vízvételi hely közelében kell felszerelni.

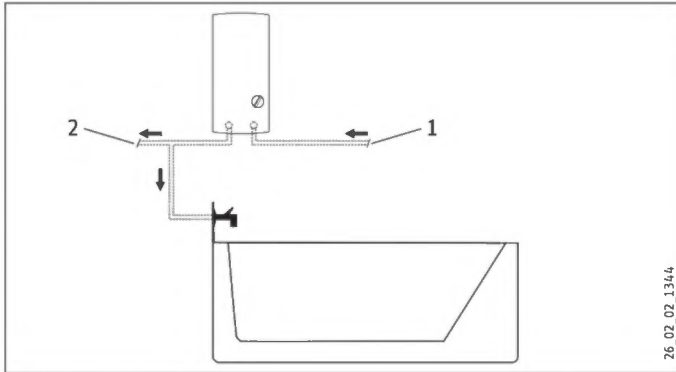
A készülék pult alá és fölé is telepíthető.

Pult alatti szerelés



- 1 Hidegvíz-bevezetés
- 2 Melegvíz-kivezetés

Pult feletti szerelés



- 1 Hidegvíz-bevezetés
2 Melegvíz-kivezetés



Tudnivaló

- Szerelje a készüléket a falra. A fal teherbírása elegendő kell, hogy legyen.

9.2 Vízszelzés

- Biztonsági szelep használata nem szükséges.
- Biztonsági szelepek használata a melegvíz-vezetékben nem engedélyezett.
- Alaposan öblítse át a vízvezetékét.
- Ellenőrizze, hogy rendelkezésre áll-e a készülék rendszerbe állításához szükséges térfogatáram (lásd a „Műszaki adatok / Adattábla” c. fejezetet). Ha a térfogatáram nem éri el a szükséges értéket, akkor távolítsa el az átfolyásimennyiség-korlátozót (lásd a „Szerelés / Az átfolyásimennyiség-korlátozó kiszerezése” c. fejezetet).
- Növelje a vízvezetéki nyomást, ha a térfogatáram teljesen nyitott vízcsapnál nem éri el a szükséges értéket.

Csaptelepek

Használjon megfelelő nyomástartó szerelvényeket. Nyitott csaptelepek használata nem megengedett.



Tudnivaló

A hidegvíz-bevezetésben található zárószelepet nem szabad az áramlás fojtására használni. Az a készülék lezárására szolgál.

A vízvezeték kiépítésére felhasználható alapanyagok

- Hidegvíz-bekötővezeték:
tűzihorganyzott acélcső, rozsdamentes acél cső, rézcső vagy műanyag cső
- Melegvíz-kifolyóvezeték:
rozsdamentes acél cső, rézcső vagy műanyag cső



Anyagi kár

Műanyag csővezetékrendszer alkalmazása esetén vegye figyelembe a víz megengedett maximális bejövő hőmérsékletét és a megengedett maximális nyomást (lásd a „Műszaki adatok / Adattábla” c. fejezetet).

Flexibilis csatlakozó vízvezetékek

- Flexibilis csatlakozó vízvezetékek felszerelésekor a készülékben elhelyezett bajonettzáras kötésekkal akadályozza meg a csőívek elcsavarodását.
- Rögzítse a hátlapot alul két további csavarral.

10. Szerelés

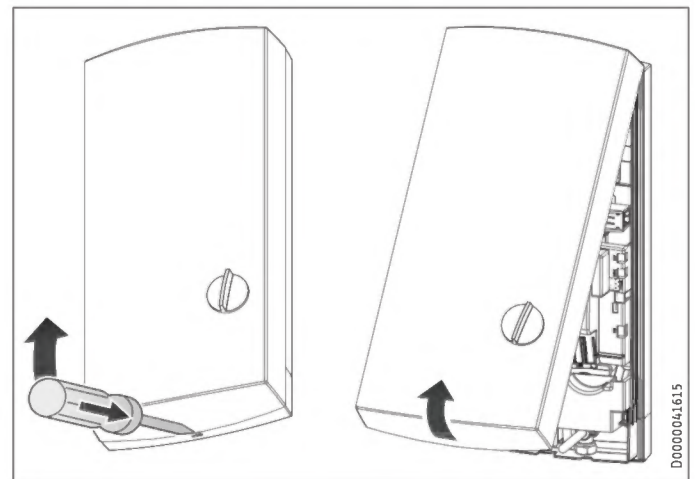
10.1 Szabványos szerelés

- Elektromos bekötés fent, süllyesztett szerelés
- Vízcsatlakozás, süllyesztett szerelés
- PEO 18/21/24: közepes csatlakozási teljesítmény előzetesen beállítva

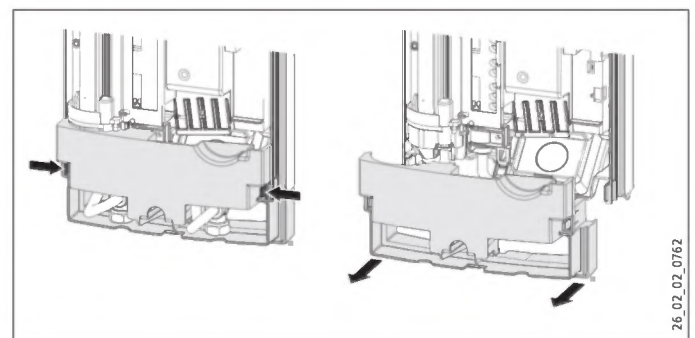
A további szerelési lehetőségeket lásd a „Szerelési alternatívák” c. fejezetben:

- Süllyesztett alsó elektromos csatlakoztatás
- Falon kívüli elektromos bekötés
- Teherkapcsoló relé csatlakoztatása
- Falon kívüli vízbekötés
- Süllyesztett vízbekötés a készülék cseréjekor
- Üzemeltetés előmelegített vízzel
- Hőmérséklet-korlátozás

A készülék felnyitása



- Nyissa fel a készüléket a rögzítőzár kireteszelésével.

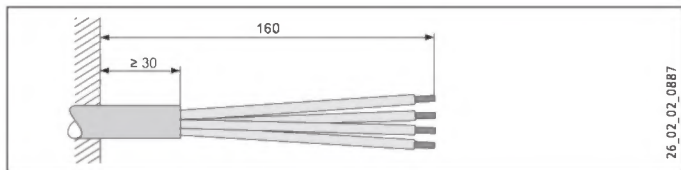


- Vegye le a hátlapot a következő módon: nyomja be mindkét rögzítőhorgot, és előrefelé húzza le a hátlap alsó részét.

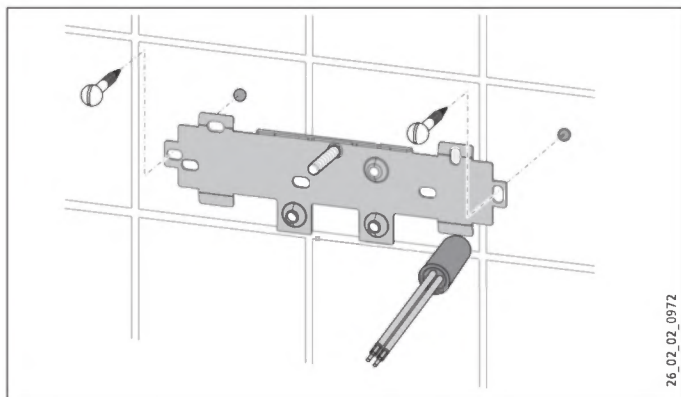
TELEPÍTÉS

Szerelés

Készítse elő a hálózati tápkábelt

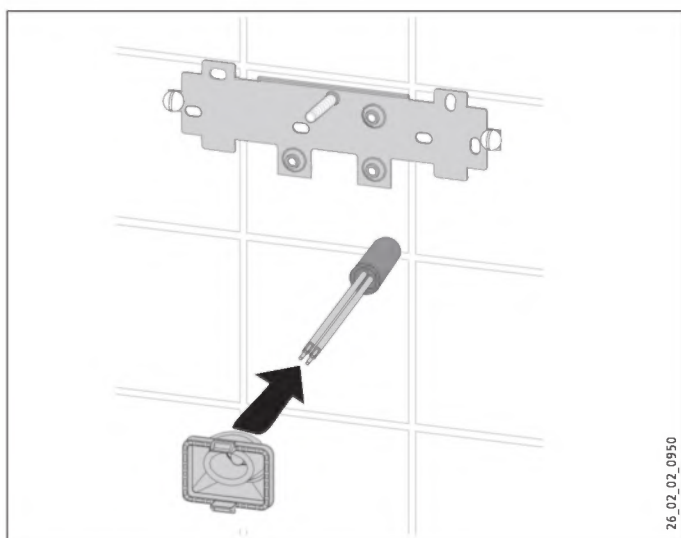


Szerelje fel a fali tartót



- ▶ A szerelési sablon segítségével rajzolja fel a furatok helyét. Ha a készülék bekötése falon kívüli vízcsatlakozással történik, a sablon alsó részén a rögzítés céljára szolgáló lyukakat is kell jelölni.
- ▶ Fúrja ki a lyukakat, és 2 db tipli és 2 db csavar felhasználásával szerelje fel a fali tartót (a tiplik és a csavarok nem tartoznak a szállítási tartozékok közé).
- ▶ Szerelje fel a készlethez mellékelt menetes csapszegeket.
- ▶ Szerelje fel a fali tartót.

A kábel-tömszelence felszerelése



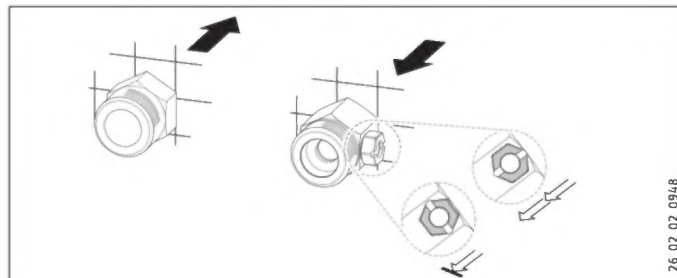
- ▶ Szerelje be a kábel-tömszelencét. Amennyiben a csatlakozókábel keresztmetszete $> 6 \text{ mm}^2$, úgy tágítsa ki a kábel-tömszelencét.

Alakítsa ki a vízcsatlakozást



Anyagi kár

Minden vízbekötési és szerelési munkát az előírásoknak megfelelően kell végezni.



- ▶ Tekerje be tömítőanyaggal a közcsavart, majd hajtsa be.



Anyagi kár

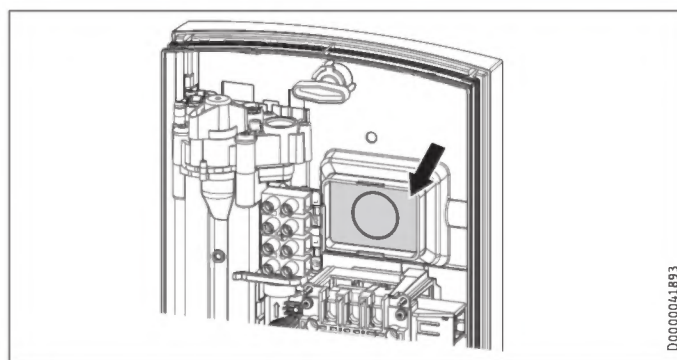
A hidegvíz-bevezetésben található zárószelepet nem szabad az áramlás fojtására használni.

A hátfal előkészítése



Anyagi kár

Amennyiben rossz helyen készít áttörést a hátlapon, új hátlapot kell felhasználnia.

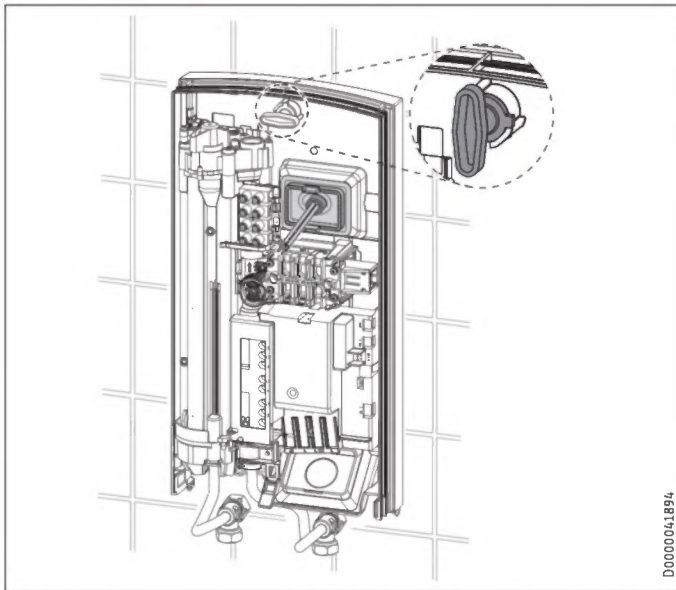


- ▶ Törje ki a kábel-tömszelence nyílását a hátfalban. Szükség esetén sorjazzza le az éles széleket reszelővel.

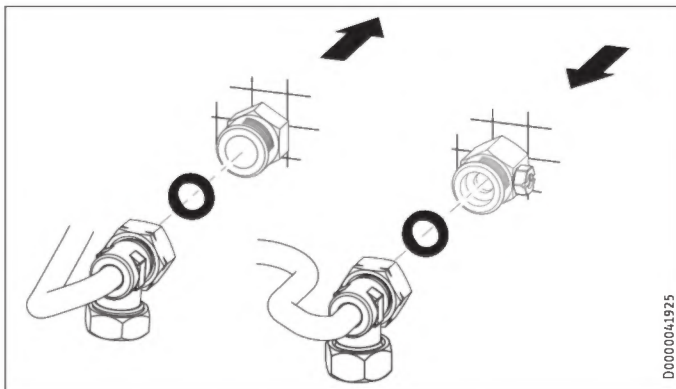
TELEPÍTÉS

Szerelés

A készülék felszerelése



- ▶ Tolja a hátfalat a menetes csapszegre és a kábel-tömszelencére. Fogóval húzza a kábel-tömszelencét a hátfalban lévő rögzítőhorogra, hogy mindkét rögzítőhorog hallhatóan helyére kattanjon.
- ▶ Távolítsa el a vízcsatlakozásokból a szállítás közbeni védelemre szolgáló dugaszokat.
- ▶ Nyomja a helyére a hátlapot, majd fordítsa el a rögzítőpecket 90°-kal a rögzítéshez.



- ▶ A lapostömítéseket felhasználva csavarja fel a vízcsatlakozó csöveket a kettős közcsavarokra.



Anyagi kár

A készülék megfelelő működéséhez a szűrőt mindenképpen be kell szerelni.

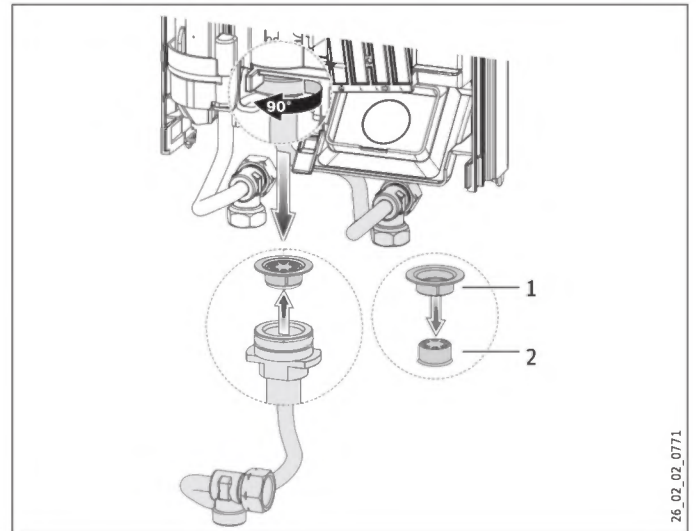
- ▶ A készülék cseréjekor ellenőrizze, hogy helyén van-e a szűrő (lásd a „Karbantartás“ c. fejezetet).

Az átfolyásimennyiség-korlátozó kiserelése



Anyagi kár

Termosztátos csaptelep használata esetén az átfolyásimennyiség-korlátozót nem szabad kiserelni.



- 1 Műanyag idomtárcsa
- 2 Átfolyásimennyiség-korlátozó

- ▶ Szerelje ki az átfolyásimennyiség-korlátozót és helyezze vissza a műanyag idomtárcsát.

Az elektromos csatlakozás kialakítása



FIGYELMEZTETÉS Áramütés

Minden elektromos bekötési és szerelési munkát az előírásoknak megfelelően kell elvégezni.



FIGYELMEZTETÉS Áramütés

A hálózati tápfeszültség bekötése csakis fix módon, a kivethető kábelvédő hüvelyen keresztül történhet. Összpólusú, legalább 3 mm érintkezőtávolságú megszakítóval kell biztosítani a készülék hálózatról való leválasztásának lehetőségét.



FIGYELMEZTETÉS Áramütés

Feltétlenül csatlakoztassa a készüléket a védővezetékhez!



Anyagi kár

Vegye figyelembe a típustáblán szereplő adatokat. A megadott feszültségnek meg kell egyeznie a hálózati feszültséggel.

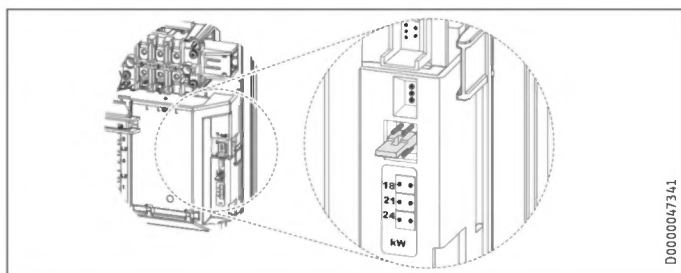
- ▶ Csatlakoztassa az elektromos csatlakozókábelt a hálózat bekötésére szolgáló kapocshoz (lásd a „Műszaki adatok / Villamos kapcsolási rajz“ c. fejezetet).

TELEPÍTÉS

Szerelés

PEO 18/21/24: A kódoló kártya áthelyezése

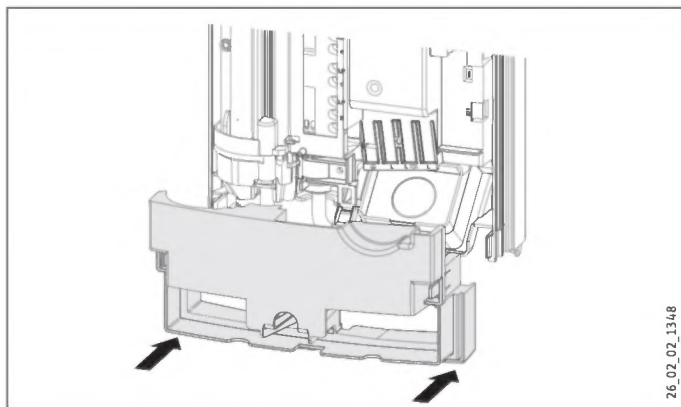
Kiszállítási állapotban a készülék 21 kW-ra van kapcsolva. Másik csatlakozási teljesítményre történő átállításhoz a következő lépéseket kell végrehajtania:



D0000047341

- ▶ Helyezze át a kódoló kártyát a kiválasztott csatlakozási teljesítménynek megfelelően (a választható csatlakozási teljesítményt és a készülék biztosítékos védelmét lásd a „Műszaki adatok / Adattábla“ c. fejezetben).
- ▶ Keresztrel jelölje be a kiválasztott csatlakozási teljesítményt a típustáblán. Erre a célra használjon golyóstollat.

A hátfal alsó részének szerelése

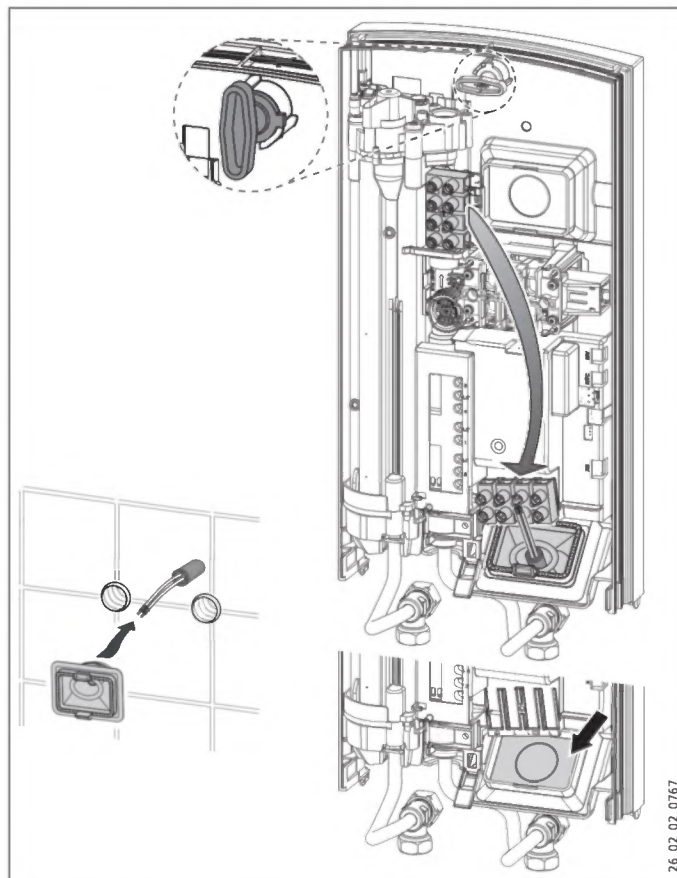


26_02_02_1348

- ▶ Szerelje a hátfal alsó részét a hátfalra és pattintsa be azt a helyére.
- ▶ Igazítsa be a felszerelt készüléket a rögzítőpecsek kioldásával, az elektromos csatlakozók és a hátfal elhelyezésével és a rögzítőpecsek újbóli meghúzásával. Ha a készülék hátfala nem szabályosan illeszkedik, akkor alul két további csavarral rögzítheti a készüléket.

10.2 Szerelési alternatívák

10.2.1 Süllyesztett alsó elektromos csatlakoztatás



26_02_02_0767

- ▶ Szerelje be a kábel-tömszelencét.



Anyagi kár

Amennyiben rossz helyen készít áttörést a hátfalon, új hátfalpot kell felhasználnia.

- ▶ Törje ki a kábel-tömszelence nyílását a hátfalban. Szükség esetén sorjazzza le az éles széleket reszelővel.
- ▶ Helyezze át a készülékben található hálózati csatlakozókapcsot felülről alulra.
- ▶ Tolja a hátfalat a menetes csapszegre és a kábel-tömszelencére. Fogóval húzza a kábel-tömszelencét a hátfalban lévő rögzítőhorogra, hogy mindkét rögzítőhorog hallhatóan a helyére kattanjon.
- ▶ Nyomja a helyére a hátfalpot, majd fordítsa el a rögzítőpecket 90°-kal a rögzítéshez.

10.2.2 Falon kívüli elektromos bekötés



Tudnivaló

Ezen bekötési mód esetén megváltozik a készülék védettsége.

- ▶ Vezesse fel a változást a típustáblára. Húzza át az „IP 25” megjelölést, és tegyen jelet az „IP 24” négyzetbe. Erre a célra használjon golyóstollat.



Anyagi kár

Amennyiben rossz helyen készít áttörést a hátlapon, új hátlapot kell felhasználnia.

- ▶ Vágja vagy törje ki a hátlapot a kábelbevezetés számára úgy, hogy sima éleket kapjon (a pozíciókat lásd a „Műszaki adatok / Méretek és csatlakozások” c. fejezetben). Szükség esetén sorjázza le az éles széleket reszelővel.
- ▶ Vezesse át az elektromos csatlakozókábelt a tömszelencén és csatlakoztassa azt a hálózati csatlakozókapocshoz.

10.2.3 Teherkapcsoló relé csatlakoztatása

Más elektromos készülékekkel (pl. elektromos hőtárolós fűtőberendezésekkel) együtt történő használat esetén telepítsen teherkapcsoló relét a villamos elosztó szekrénybe. A terhelésledobásra az átfolyó üzemű vízmelegítő használatakor kerül sor.



Anyagi kár

A teherkapcsoló relét kapcsoló fázist csatlakoztassa a készülékben található hálózati kapocslemez megjelölt sorokhoz (lásd a „Műszaki adatok / Villamos kapcsolási rajz” c. fejezetet).

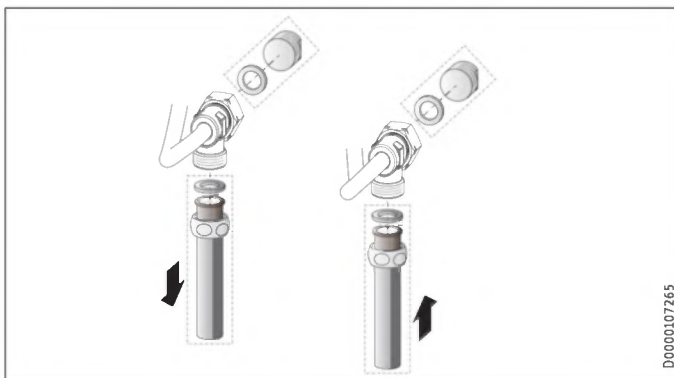
10.2.4 Falon kívüli vízbekötés



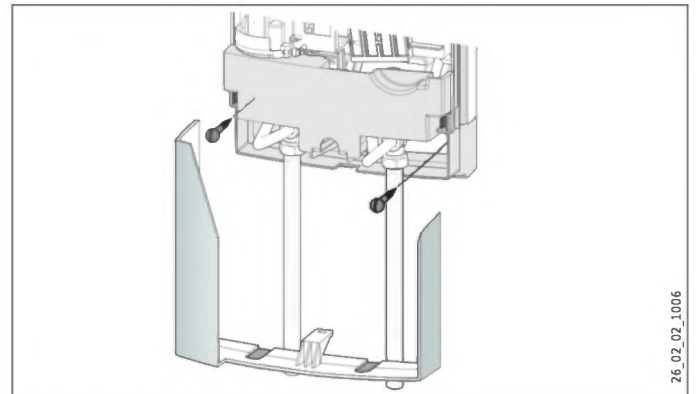
Tudnivaló

Ezen bekötési mód esetén megváltozik a készülék védettsége.

- ▶ Vezesse fel a változást a típustáblára. Húzza át az „IP 25” megjelölést, és tegyen jelet az „IP 24” négyzetbe. Erre a célra használjon golyóstollat.



- ▶ A süllyesztett szerelésű csatlakozók lezárásához szereljen fel tömítéssel ellátott záródugókat.
- ▶ Telepítsen megfelelő nyomástartó szerelvényt.



- ▶ Rögzítse a hátlapot alul két további csavarral.
- ▶ Tolja a hátfal alsó részét a csaptelep csatlakozócsövei alá és pattintsa be a hátfal alsó részét a helyére.
- ▶ Csavarozza össze a bekötővezetékeket a készülékkel.



Anyagi kár

Amennyiben rossz helyen készít áttörést a készülékfedélen, új készülékfedélt kell felhasználnia.

- ▶ Törje át a készülékfedélen található átvezetékeket úgy, hogy sima éleket kapjon. Szükség esetén sorjázza le az éles széleket reszelővel.

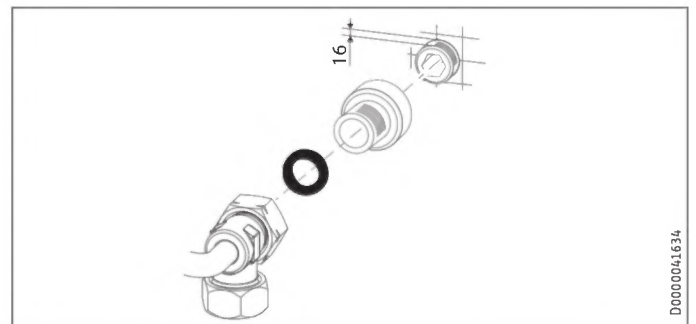
10.2.5 Vízszelvények süllyesztett szerelése a készülék cseréjekor

Ha a régi készülék meglévő kettős közcsavarjai csak kb. 16 mm-re állnak ki a falból, akkor a leszállított készletben található kettős közcsavarok nem használhatók.



Tudnivaló

Ennél a csatlakozási változatnál a hidegvíz-bevezetést csak a ház vízhálózatában lehet elérni.



- ▶ Tömítse és csavarja be a leszállított készletben található csaphosszabbítókat.
- ▶ Csatlakoztassa a készüléket.

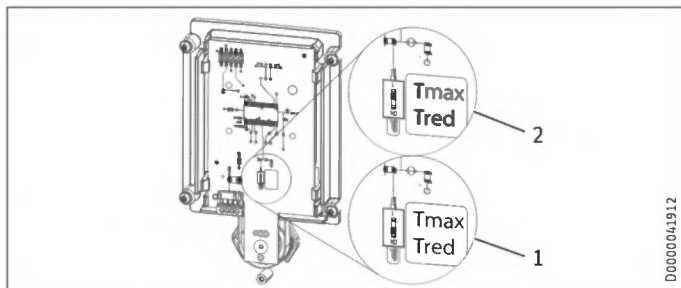
TELEPÍTÉS

Üzembe helyezés

10.2.6 Üzemeltetés előmelegített vízzel

Központi termosztatikus csaptelep beépítésével a maximális bejövő hőmérséklet korlátozott.

10.2.7 Hőmérséklet-korlátozás



- 1 „Tred“ pozíció (55 °C): Hőmérséklet-korlátozás
- 2 „Tmax“ pozíció: nincs hőmérséklet-korlátozás, a hőmérséklet-beállítási tartományt lásd a „Műszaki adatok / Adattábla“ c. fejezetben.

- ▶ Vegye le a készülékfedelelet.
- ▶ Tolja a kapcsolót a kívánt helyzetbe.
- ▶ Szerelje fel a készülékfedelelet.



VIGYÁZAT Égési sérülés

Előmelegített vízzel történő üzemeltetéskor előfordulhat, hogy a beállított hőmérséklet-korlátozás nem működik.

- ▶ Ebben az esetben korlátozza a hőmérsékletet a készülék elé szerelt központi termosztatikus csaptelepnél.

10.3 A telepítés befejezése

- ▶ Nyissa meg a kettős közcsavarban vagy a hidegvíz-bekötővezetékben található zárószelepet.

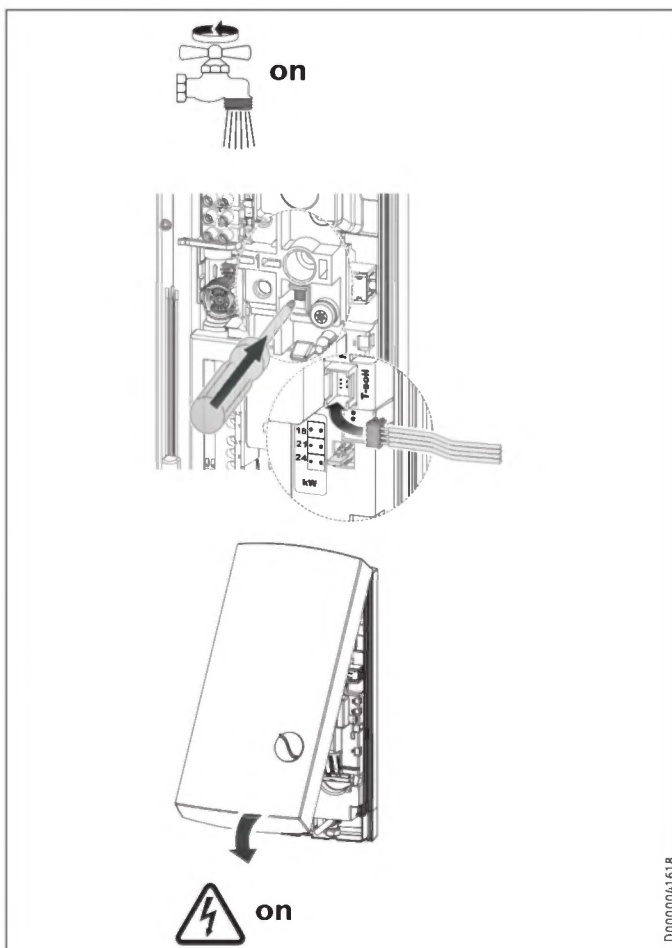
11. Üzembe helyezés



FIGYELMEZTETÉS Áramütés

Az üzembe helyezést csak szakember végezheti el a biztonsági előírások figyelembe vételével!

11.1 Első üzembe helyezés



- ▶ Többször nyissa ki majd zárja el az összes csatlakoztatott vízcsapot addig, amíg a vízvezeték-hálózat és a készülék légtelenítődik.
- ▶ Ellenőrizze a rendszer tömítettségét.
- ▶ A visszaállító gomb erőteljes megnyomásával aktiválja a biztonsági nyomáshatárolót (a készüléket deaktivált biztonsági nyomáshatárolóval szállítjuk le).
- ▶ Csatlakoztassa a hőmérséklet-beállító kábelének dugóját az elektronikához.
- ▶ Szerelje fel a készülékfedelelet úgy, hogy az hallhatóan a helyére kattanjon. Ellenőrizze, hogy a készülékfedél a helyén van-e.
- ▶ Kapcsolja be a hálózati feszültséget.
- ▶ Ellenőrizze a készülék működését.

A készülék átadása

- ▶ Magyarázza el a felhasználónak a készülék működését és ismertesse meg vele a használatát.
- ▶ Figyelmeztesse a felhasználót az esetleges veszélyekre, különösen a leforrázás veszélyére.
- ▶ Adja át ezt az útmutatót.

11.2 Ismételt üzembe helyezés

Légtelenítse a készüléket és a hidegvíz-bekötővezetékét (lásd az „Beállítások“ c. fejezetet).

Lásd az „Első üzembe helyezés“ c. fejezetet.

12. Üzemen kívül helyezés

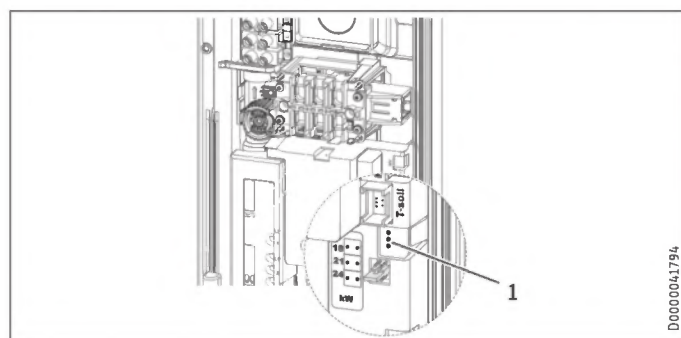
- ▶ Válassza le a készüléket összpólusúan a hálózatról.
- ▶ Ürítse le a készüléket (lásd a „Karbantartás“ fejezetet).

13. Üzemzavar-elhárítás**FIGYELMEZTETÉS Áramütés**

A készülék ellenőrzéséhez a villamos hálózati tápfeszültséget a készülékre kell kapcsolni.

Megjelenítési lehetőségek a LED-es diagnosztikai eszközön

●	piros	üzemzavar esetén világít
●	sárga	a fűtési üzemmód bekapcsolt állapotában világít
○	zöld	villog: A készülék hálózati tápfeszültséget kap



1 Üzemállapot-jelző lámpa

Üzemzavar / Jelzés a LED-es diagnosztikai eszközön	Kiváltó ok	Elhárítás
Az átfolyási mennyiség túl alacsony.	A készülék szűrője elszennyeződött.	Tisztítsa meg a szűrőt.
A víz nem éri el a hőmérséklet alapjelt.	Hiányzik egy fázis.	Ellenőrizze a biztosítékot az épület elektromos rendszerében.
A fűtés nem kapcsolódik be.	Levegő észlelhető a vízben; rövid időre kikapcsolódik a vízmelegítési teljesítmény.	A készülék egy perc elteltével ismét bekapcsol.
Nincs meleg víz és nem működnek az üzemállapot-jelző lámpák.	A biztosíték kioldott.	Ellenőrizze a biztosítékot az épület elektromos rendszerében.
	Az AP 3 biztonsági nyomáshatároló leoldott.	Hárítsa el a hiba okát (például hibás öblítőszelap). Védje a fűtésrendszert a túlmelegedés ellen úgy, hogy egy percre kinyit egy, a készülék után csatlakoztatott vízcsapot. Ezáltal a fűtésrendszerben megszűnik a túlnyomás, és a rendszer lehűl. Aktiválja a biztonsági nyomáshatárolót az áramlási nyomáson a visszaállító gomb megnyomásával (lásd az „Első üzembe helyezés“ c. fejezetet).
	Az elektronika meghibásodott.	Ellenőrizze az elektronikát, szükség esetén pedig cserélje ki azt.
Lámpakijelzés: a zöld villog vagy folyamatosan világít	Az elektronika meghibásodott.	Ellenőrizze az elektronikát, szükség esetén pedig cserélje ki azt.
Nincs melegvíz, miközben az átfolyás > 2,5 l/perc.	A DFE átfolyásmérő nincs csatlakoztatva.	Csatlakoztassa újból az átfolyásmérő dugós csatlakozóját.
	A DFE átfolyásmérő meghibásodott.	Ellenőrizze az átfolyásmérőt, szükség esetén pedig cserélje ki azt.
Lámpakijelzés: a sárga világít, a zöld villog	A biztonsági hőmérséklet-határoló működésbe lépett vagy annak áramköre megszakadt.	Ellenőrizze és adott esetben cserélje ki a biztonsági hőmérséklet-határolót.
Nincs melegvíz, miközben az átfolyás > 3 l/perc.	A fűtésrendszer meghibásodott.	Mérje meg a fűtésrendszer ellenállását, szükség esetén pedig cserélje ki azt.
	Az elektronika meghibásodott.	Ellenőrizze az elektronikát, szükség esetén pedig cserélje ki azt.
Lámpakijelzés: a sárga világít, a zöld villog	A kimeneti érzékelőt lehúzták, vagy megszakadt a vezetéke.	Dugja vissza, illetve adott esetben cserélje ki a kimeneti érzékelőt.
Lámpakijelzés: a piros világít, a zöld villog	A hidegvíz-érzékelő meghibásodott.	Ellenőrizze az elektronikát, szükség esetén pedig cserélje ki azt.
nincs meleg víz a kívánt hőmérséklet nem éri el a > 45 °C értéket.	A hidegvíz bejövő hőmérséklete magasabb, mint 45 °C.	Csökkentse a készülékbe bevezetett hidegvíz bejövő hőmérsékletét.
Lámpakijelzés: a piros világít, a zöld villog	A kimeneti érzékelő hibás (rövidzárlat).	Ellenőrizze és adott esetben cserélje ki a kimeneti érzékelőt.

14. Karbantartás



FIGYELMEZTETÉS Áramütés
Bármilyen munkavégzést megelőzően a készüléket összpólusúan le kell választani az elektromos hálózatról.

A készülék leürítése

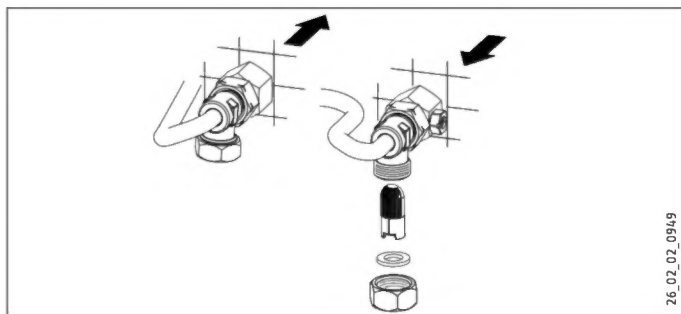
A készülék leürítése karbantartás céljából megengedett.



FIGYELMEZTETÉS Égési sérülés
Leürítéskor a készülékből forró víz léphet ki.

- ▶ Zárja el a kettős közcsavarban vagy a hidegvíz-bekötővezetékben található zárószelepet.
- ▶ Nyisson meg minden vízcsapot.
- ▶ Szerelje le a vízcsatlakozásokat a készülékről.
- ▶ A készüléket leszerelt állapotban is kizárólag fagymentes helyen tárolja, mivel a berendezésben maradó víz is károkat okozhat.

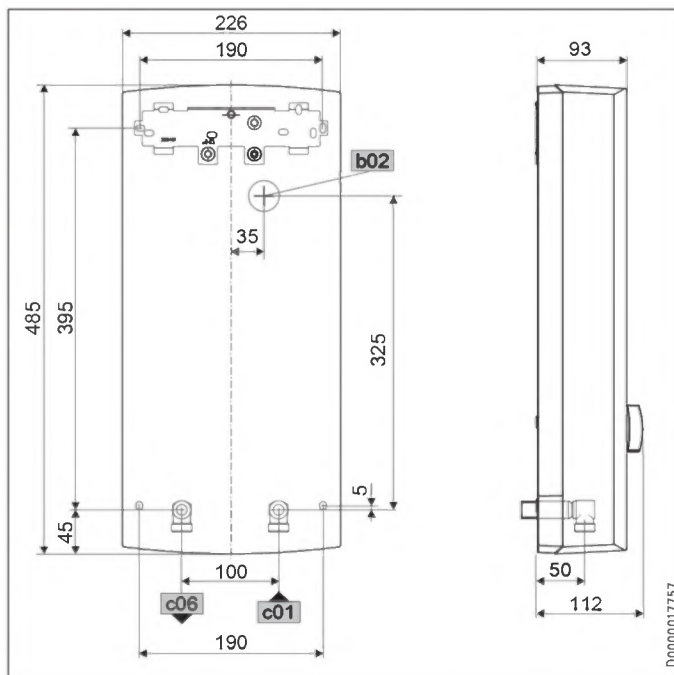
A szűrő tisztítása



Szennyeződés esetén tisztítsa meg a hidegvizes csavarzatban lévő szűrőt. A szűrő kiszerelését, tisztítását és visszaszerelését megelőzően zárja el a hidegvíz-bekötővezetékben található zárószelepet.

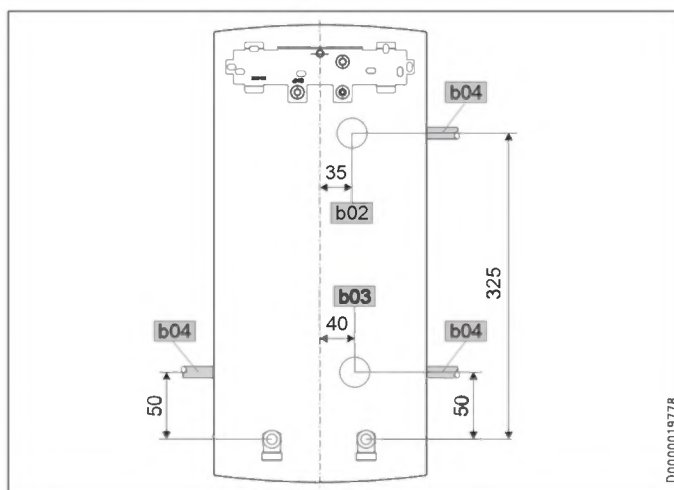
15. Műszaki adatok

15.1 Méretek és csatlakozások



b02	Elektr. vezetékek átvezetése I		
c01	Hidegvíz-bevezetés	külső menet	G 1/2 A
c06	Melegvíz-kivezetés	külső menet	G 1/2 A

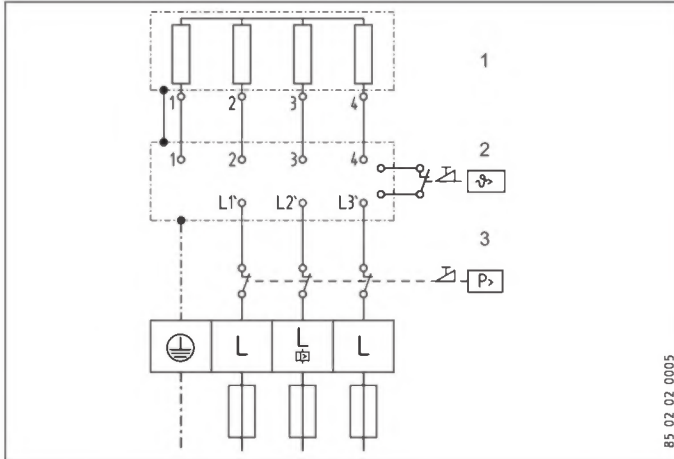
Alternatív csatlakozási lehetőségek



b02	Elektr. vezetékek átvezetése I		
b03	Elektr. vezetékek átvezetése II		
b04	Elektr. vezetékek átvezetése III		

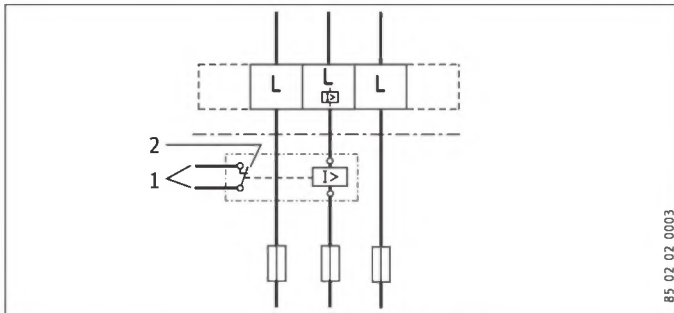
15.2 Villamos kapcsolási rajz

3/PE ~ 380-415 V



- 1 Fűtés
- 2 Biztonsági hőmérséklet-határoló
- 3 Biztonsági nyomáshatároló

Előnykapcsolás LR 1-A teherlekapcsoló relével



- 1 A 2. készülék (pl. elektromos hőtárolós fűtőberendezés) megszakítójának vezérlőkábele.
- 2 Az átfolyó üzemű vízmelegítő bekapcsolásakor nyitó vezérlőérintkező.

15.3 HMV-teljesítmény

A HMV-teljesítmény függ a csatlakoztatott hálózati feszültségtől, a készülék villamos teljesítményétől és a hidegvíz bejövő hőmérsékletétől. A névleges feszültség és a névleges teljesítmény értéke megtalálható a típustáblán (lásd a „Hibaelhárítás” c. fejezetet).

A készülék villamos teljesítménye kW-ban			38 °C-os HMV-teljesítmény l/perc-ben.			
Névleges feszültség			Hidegvíz bejövő hőmérséklete			
380 V	400 V	415 V	5 °C	10 °C	15 °C	20 °C
16,2			7,0	8,3	10,1	12,9
19,0			8,2	9,7	11,8	15,1
21,7			9,4	11,1	13,5	17,2
	18,0		7,8	9,2	11,2	14,3
	21,0		9,1	10,7	13,0	16,7
	24,0		10,4	12,2	14,9	19,0
		19,4	8,4	9,9	12,0	15,4
		22,6	9,8	11,5	14,0	17,9
		25,8	11,2	13,2	16,0	20,5
24,4			10,6	12,4	15,2	19,4
	27,0		11,7	13,8	16,8	21,4

A készülék villamos teljesítménye kW-ban			50 °C-os HMV-teljesítmény l/perc-ben.			
Névleges feszültség			Hidegvíz bejövő hőmérséklete			
380 V	400 V	415 V	5 °C	10 °C	15 °C	20 °C
16,2			5,1	5,8	6,6	7,7
19,0			6,0	6,8	7,8	9,0
21,7			6,9	7,8	8,9	10,3
	18,0		5,7	6,4	7,3	8,6
	21,0		6,7	7,5	8,6	10,0
	24,0		7,6	8,6	9,8	11,4
		19,4	6,2	6,9	7,9	9,2
		22,6	7,2	8,1	9,2	10,8
		25,8	8,2	9,2	10,5	12,3
24,4			7,7	8,7	10,0	11,6
	27,0		8,6	9,6	11,0	12,9

15.4 Alkalmazási területek / átszámítási táblázatok

Fajlagos elektromos ellenállás és fajlagos elektromos vezetőképesség (lásd az „Adattábla” c. fejezetet).

Szabványos érték 15 °C-on			20 °C			25 °C		
Ellenállás, $\rho \geq \sigma \leq$			Ellenállás, $\rho \geq \sigma \leq$			Ellenállás, $\rho \geq \sigma \leq$		
$\Omega \text{ cm}$	mS/m	$\mu\text{S/cm}$	$\Omega \text{ cm}$	mS/m	$\mu\text{S/cm}$	$\Omega \text{ cm}$	mS/m	$\mu\text{S/cm}$
900	111	1111	800	125	1250	735	136	1361
1000	100	1000	890	112	1124	815	123	1227
1200	83	833	1070	93	935	985	102	1015
1300	77	769	1175	85	851	1072	93	933

15.5 Nyomásvesztések

Csaptelepek

Nyomásesés a csaptelepeken 10 l/perc térfogatáram esetén		
Egykezes keverőcsap, kb.	MPa	0,04 - 0,08
Termosztátikus csaptelep, kb.	MPa	0,03 - 0,05
Kézi zuhany, kb.	MPa	0,03 - 0,15

Csőhálózat méretezése

A csőhálózat méretezése esetén a készülék számára figyelembe veendő nyomásesés érték 0,1 MPa.

15.6 Üzemzavarok

Üzemzavar esetén a rendszerben rövid időre legfeljebb 95 °C-os hőmérséklet-túlterhelés léphet fel 1,2 MPa nyomás mellett.

TELEPÍTÉS

Műszaki adatok

15.7 Energiafogyasztási adatok

Termékkadatlap: Hagyományos vízmelegítő a 812/2013/EU és a 814/2013/EU rendelet előírásai szerint

		PEO 18/21/24 233991	PEO 27 233992
Gyártó		STIEBEL ELTRON	STIEBEL ELTRON
Terhelési profil		S	S
Energiahatékonysági osztály		A	A
Energetikai hatásfok	%	39	39
Éves villamosenergia-fogyasztás	kWh	477	481
Gyári hőmérséklet-beállítások	°C	60	60
Hangteljesítményszint	dB(A)	15	15
A hatékonyság mérésére vonatkozó különleges tudnivalók		Adatok Pmax. esetén	8,5 l/perces DMB átfolyásmérővel mérve
Napi villamosenergia-fogyasztás	kWh	2,198	2,220

15.8 Adattábla

		PEO 18/21/24 233991	PEO 27 233992
Elektromos adatok			
Névleges feszültség	V	380	400
Névleges teljesítmény	kW	16,2/19/21,7	18/21/24
Névleges áram	A	27,6/29,5/33,3	29/31/35
Biztosíték	A	32/32/35	32/32/35
Frekvencia	Hz	50/60	50/60
Fázisok		3/PE	3/PE
Fajlagos ellenállás $\rho_{15} \geq (\vartheta_{\text{hidegvíz}} \leq 25 \text{ °C}$ esetén)	Ω cm	900	900
Fajlagos vezetőképesség $\sigma_{15} \leq (\vartheta_{\text{hidegvíz}} \leq 25 \text{ °C}$ esetén)	$\mu\text{S/cm}$	1111	1111
Fajlagos ellenállás $\rho_{15} \geq (\vartheta_{\text{hidegvíz}} \leq 45 \text{ °C}$ esetén)	Ω cm	1200	1200
Fajlagos vezetőképesség $\sigma_{15} \leq (\vartheta_{\text{hidegvíz}} \leq 45 \text{ °C}$ esetén)	$\mu\text{S/cm}$	833	833
Max. hálózati impedancia 50 Hz esetén	Ω	0,284	0,270
Kívitelek			
Fűtésrendszer hőtermelő		csupaszdrót	csupaszdrót
Szigetelőblokk		műanyag	műanyag
Hőmérséklet-beállítás	°C	30-60	30-60
Védettség osztály		1	1
Sapka és hátlap		műanyag	műanyag
Védettség (IP)		IP 25	IP 25
Szín		fehér	fehér
Csatlakozók			
Vízcsatlakozás		G 1/2 A	G 1/2 A
Alkalmazási határértékek			
Max. megengedett nyomás	MPa	1	1
Max. bejövő hőmérséklet utólagos felmelegítéshez	°C	45	45
Értékek			
Max. megengedett bejövő hőmérséklet	°C	60	60
Be	l/perc	>2,5	>2,5
Melegvíz-teljesítmény	l/perc	9,4/11,0/12,6	14,2
$\Delta\vartheta$ a fenti kapacitás esetén	K	26	26
Hidraulikai adatok			
Névleges űrtartalom	l	0,4	0,4
Méreték			
Magasság	mm	485	485
Szélesség	mm	226	226
Mélység	mm	93	93
Tömegadatok			
Tömeg	kg	3,6	3,6



Tudnivaló

A készülék megfelel az IEC 61000-3-12 előírásainak.

Garancia

A Németországon kívül vásárolt készülékekre nem érvényesek cégünk németországi vállalatának garanciális feltételei. Az olyan országokban, amelyekben termékeinket egy leányvállalatunk terjeszti, a garanciát elsősorban a leányvállalatunk biztosítja. Garancia csak akkor nyújtható, ha az adott leányvállalat kiadta saját garanciális feltételeit. Azon felül semmilyen garanciát nem nyújtunk.

Az olyan készülékekre nem tudunk garanciát biztosítani, amelyek olyan országokban vásároltak meg, amelyekben nincs leányvállalatunk. Ezek a rendelkezések nem érintik az importőr által biztosított esetleges garanciát.

Környezetvédelem és újrahasonosítás

Kérjük, segítsen a környezet védelmében. Használat után az anyagokat a helyi hatósági előírások szerint kell hulladékba juttatni.

UDHËZIME TË VEÇANTA

PËRDORIMI

1.	Udhëzime të përgjithshme	81
1.1	Udhëzimet e sigurisë	81
1.2	Shënime të tjera në këtë dokumentacion	82
1.3	Njësitë matëse	82
2.	Siguria	82
2.1	Përdorimi sipas përcaktimeve	82
2.2	Udhëzimet e përgjithshme të sigurisë	82
2.3	Shenja e kontrollit	82
3.	Përshkrimi i pajisjes	82
4.	Cilësimet	83
4.1	Rekomandimi i konfigurimit	83
5.	Pastrimi, kujdesi dhe mirëmbajtja	83
6.	Eliminimi i problemit	83

INSTALIMI

7.	Siguria	84
7.1	Udhëzimet e përgjithshme të sigurisë	84
7.2	Funksionimi i dushit	84
7.3	Rregulloret, standardet dhe përcaktimet	84
8.	Përshkrimi i pajisjes	84
8.1	Përmbajtja e paketimit në dorëzim	84
9.	Përgatitjet	84
9.1	Vendi i montimit	84
9.2	Instalimi i ujit	85
10.	Montimi	85
10.1	Montimi standard	85
10.2	Alternativat e montimit	88
10.3	Përfundoni montimin	90
11.	Vënia në punë	90
11.1	Vënia në punë për herë të parë	90
11.2	Rivënia në punë	91
12.	Dalja jashtë përdorimit	91
13.	Eliminimi i defektit	91
14.	Mirëmbajtja	92
15.	Të dhënat teknike	92
15.1	Përmasat dhe lidhjet	92
15.2	Diagrami i qarkut elektrik	93
15.3	Fuqia e ujit të ngrohtë	93
15.4	Zonat e përdorimit / tabela e kthimit	93
15.5	Humbjet e presionit	93
15.6	Kushtet në rast defekti	93
15.7	Të dhënat për konsumin e energjisë	94
15.8	Tabela e të dhënave	94

GARANCIA

MJEDISI DHE RICIKLIMI

UDHËZIME TË VEÇANTA

- Pajisja mund të përdoret nga fëmijët mbi 3 vjeç si dhe nga persona me aftësi fizike, shqisore ose mendore të reduktuara ose me mungesë përvojë dhe njohurish, nëse ata mbikëqyren ose janë udhëzuar në lidhje me përdorimin e sigurt të pajisjes dhe i kanë kuptuar rreziqet që rezultojnë si rrjedhojë e kësaj. Fëmijët nuk duhet të luajnë me pajisjen. Pastrimi dhe mirëmbajtja që kryhen nga përdoruesi nuk duhen kryer nga fëmijët pa mbikëqyrje.
- Rubineti mund të pranojë një temperaturë deri në 60 °C. Kur temperaturat e rrjedhjes janë më të mëdha se 43 °C ekziston rreziku i përvëlimit.
- Pajisja është e përshtatshme për furnizimin e një dushi (funksionimi i dushit). Nëse pajisja përdoret edhe ose vetëm për funksionimin e dushit, atëherë specialisti duhet të aktivizojë zonën e konfigurimit të temperaturës nëpërmjet kufizimit të temperaturës (Tred = 55 °C) në pajisje. Në rastin e përdorimit të ujit të ngrohur paraprakisht duhet siguruar që të mos tejkalohet një temperaturë e furnizimit prej 55 °C.
- Pajisja duhet të jetë në gjendje të ndahet nga lidhja e rrjetit në të gjitha polet me një distancë ndarëse prej të paktën 3 mm.
- Tensioni i specifikuar duhet të përputhet me furnizimin me energji elektrike.
- Pajisja duhet lidhur te përcjellësi mbrojtës i tokëzimit.
- Pajisja duhet lidhur në mënyrë të qëndrueshme me një instalim elektrik fiks.
- Fiksoni pajisjen siç përshkruhet në kapitullin «Instalimi / Montimi».

- Kini parasysh presionin maksimal të lejuar (shihni kapitullin «Instalimi / Të dhënat teknike / Tabela e të dhënave»).
- Rezistenca specifike e ujit të rrjetit të furnizimit me ujë nuk duhet tejkaluar (shihni kapitullin «Instalimi / Të dhënat teknike / Tabela e të dhënave»).
- Zbrazni pajisjen siç përshkruhet në kapitullin «Instalimi / Mirëmbajtja / Zbrazja e pajisjes».

PËRDORIMI

1. Udhëzime të përgjithshme

Kapitujt «Udhëzime të veçanta» dhe «Përdorimi» i drejtohen përdoruesve të pajisjes dhe specialistëve.

Kapitulli «Instalimi» i drejtohet specialistëve.



Udhëzim

Lexoni me kujdes manualin përpara përdorimit dhe ruajeni atë.

Nëse është e nevojshme jepjani manualin një përdoruesi pasardhës.

1.1 Udhëzimet e sigurisë

1.1.1 Struktura e udhëzimeve të sigurisë



FJALA SINJALIZUESE Lloji i rrezikut

Këtu janë dhënë pasojat e mundshme në rastin e mosrespektimit të udhëzimeve të sigurisë.

► Këtu janë dhënë masat për vetëmbrojtjen nga rreziku.

1.1.2 Simbolet, lloji i rrezikut

Simboli	Lloji i rrezikut
	Lëndimi
	Goditja e energjisë elektrike
	Djegia (Djegia, përvëlimi)

1.1.3 Fjalët sinjalizuese

FJALA SINJALIZUESE	Kuptimi
RREZIK	Udhëzime, mosrespektimi i të cilave ka si pasojë lëndime të rënda ose vdekje.
PARALAJMËRIM	Udhëzime, mosrespektimi i të cilave mund të ketë si pasojë lëndime të rënda ose vdekje.
KUJDES	Udhëzime, mosrespektimi i të cilave mund të çojë në lëndime mesatarisht të rënda ose të lehta.

1.2 Shënime të tjera në këtë dokumentacion



Udhëzim

Udhëzimet e përgjithshme identifikohen me simbolin shoqëruar.

► Lexoni me kujdes tekstet udhëzuese.

Simboli	Kuptimi
	Dëmet materiale (Dëmet e pajisjes, dëmet me pasoja, dëmet e mjedisit)
	Hedhja e pajisjeve

► Ky simbol ju tregon që duhet të bëni diçka. Veprimet e nevojshme përshkruhen hap pas hapi.

1.3 Njësitë matëse



Udhëzim

Nëse nuk jepet ndryshe, të gjitha përmasat janë në milimetra.

2. Siguria

2.1 Përdorimi sipas përcaktimeve

Pajisja me presion shërben për ngrohjen e ujit të pijshëm ose për ringrohjen e ujit të ngrohur paraprakisht. Pajisja mund të furnizojë një ose disa pika të marrjes.

Pajisja është parashikuar për përdorimin në mjedisin shtëpiak. Ajo mund të përdoret në mënyrë të sigurt nga persona të patrajnuar. Në mjedisin joshhtëpiak, p.sh. në punishte të vogla, pajisja mund të përdoret gjithashtu, për aq kohë sa përdorimi bëhet në mënyrë të njëjtë.

Çdo përdorim tjetër ose përdorimi që shkon përtej kësaj konsiderohet të mos jetë sipas përcaktimeve. Për përdorimin sipas përcaktimeve përfshihet edhe zbatimi i këtij manuali si dhe manualet për aksesoret e përdorur.

2.2 Udhëzimet e përgjithshme të sigurisë



KUJDES Djegie

Rubineti mund të pranojë një temperaturë deri në 60 °C. Kur temperaturat e rrjedhjes janë më të mëdha se 43 °C ekziston rreziku i përvëlimit.



KUJDES Djegie

Temperatura e ujit të ngrohtë në rastin e funksionimit me ujë të ngrohur paraprakisht, p.sh. e një impianti diellor, mund të ndryshojë nga temperatura e konfiguruar e synuar.



PARALAJMËRIM Lëndimi

Pajisja mund të përdoret nga fëmijët mbi 3 vjeç si dhe nga persona me aftësi fizike, shqisore ose mendore të reduktuara ose me mungesë përvojë dhe njohurish, nëse ata mbikëqyren ose janë udhëzuar në lidhje me përdorimin e sigurt të pajisjes dhe i kanë kuptuar rreziqet që rezultojnë si rrjedhojë e kësaj. Fëmijët nuk duhet të luajnë me pajisjen. Pastrimi dhe mirëmbajtja që kryhen nga përdoruesi nuk duhen kryer nga fëmijët pa mbikëqyrje.

Në rast se fëmijët ose personat me aftësi fizike, shqisore ose mendore të kufizuara e përdorin pajisjen, ne rekomandojmë një kufizim të vazhdueshëm të temperaturës. Kufizimi mund të konfigurohet nga një specialist.



Dëmet materiale

Pajisja dhe rubineti duhen mbrojtur nga ngrica nga përdoruesi.

2.3 Shenja e kontrollit

Shihni etiketën e tipeve në pajisje.

3. Përshkrimi i pajisjes

Nxehësi i rrjedhjes i kontrolluar nga sistemi elektronik me përshtatje automatike të fuqisë e mban konstante temperaturën e rrjedhjes deri në kufirin e fuqisë. Më pas, temperatura zgjidhet nëpërmjet rubinetit së marrjes.

Sistemi i ngrohjes

Sistemi i ngrohjes me tela të zhveshur ka një shtresë plastike rezistente ndaj presionit. Sistemi i ngrohjes është përshtatur për ujëra me pak kalcium dhe me përmbajtje gëlqerore, ai është kryesisht i pandjeshëm kundrejt kalcifikimit. Sistemi i ngrohjes siguron një furnizim të shpejtë dhe efikas me ujë.



Udhëzim

Pajisja është e pajisur me një identifikues të ajrit, i cili parandalon kryesisht një dëmtim të sistemit të ngrohjes. Nëse gjatë funksionimit futet ajër në pajisje, atëherë pajisja e çaktivizon për një minutë kapacitetin ngrohës dhe në këtë mënyrë mbron sistemin e ngrohjes.

4. Cilësimet

Ju mund ta konfiguroni temperaturën e rrjedhjes së ujit të ngrohtë pa nivele. Shfaqet temperatura e zgjedhur. Në rastin e temperaturave mbi 43 °C ngjyra e treguesit ndryshon nga blu në të kuqe, për të treguar një rrezik nga përvëlimi.



- ▶ Rrotulloni butonin e konfigurimit në temperaturën e dëshiruar.



Udhëzim

Nëse valvula e marrjes është plotësisht e hapur dhe nëse konfigurimi maksimal i temperaturës nuk e ka arritur temperaturën e mjaftueshme të rrjedhjes, atëherë del më shumë ujë nga pajisja, nga sa mund të ngrohë sistemi i ngrohjes (pajisja në kufirin e fuqisë).

- ▶ Reduktoni sasinë e ujit në valvulën e marrjes.

4.1 Rekomandimi i konfigurimit

Rubineti me termostat

Nxehësi juaj i rrjedhjes kujdeset për saktësinë dhe komoditetin maks. të ofrimit të ujit të ngrohtë. Megjithatë, nëse e vini në punë pajisjen me një rubinet me termostat, ne rekomandojmë:

- ▶ Konfiguroni temperaturën e synuar në pajisje me shumë se 50 °C. Më pas, konfiguroni temperaturën e synuar të dëshiruar në rubinetin me termostat.

Pas ndërprerjes së furnizimit me ujë



Dëmet materiale

Në mënyrë që sistemi i ngrohjes me tela të zhveshur të mos priset pas ndërprerjes së furnizimit me ujë, pajisja duhet vënë përsëri në punë me hapat e mëposhtëm.

- ▶ Kaloni pajisjen pa tension, duke çaktivizuar siguresat.
- ▶ Hapni rubinetin për një minutë, derisa pajisja dhe tubacioni i ujit të ftohtë të lidhur paraprakisht të jenë pa ajër.
- ▶ Ndizni përsëri tensionin e rrjetit.

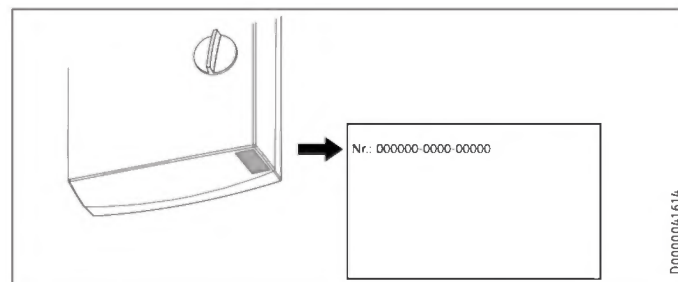
5. Pastrimi, kujdesi dhe mirëmbajtja

- ▶ Mos përdorni produkte pastrimi gërryese ose që treten. Për kujdesin dhe pastrimin e pajisjes mjafton një pecetë e lagur.
- ▶ Kontrolloni rregullisht rubinetët. Ju mund ta hiqni gëlqeren te daljet e rubinetit me zhgëlqerëzues të disponueshëm në treg.

6. Eliminimi i problemit

Problemi	Shkaku	Eliminimi
Pajisja nuk ndizet pavarësisht se valvula e ujit të ngrohtë është e hapur plotësisht.	Nuk ka tension.	Kontrolloni siguresat në instalimin e shtëpisë.
Temperatura e dëshiruar > 45 °C nuk arrihet.	Sasia e rrjedhjes është shumë e vogël. Rregullatori i currilit të ujit në rubinet ose në kokën e dushit është i kalcifikuar ose i ndotur.	Pastroni dhe / ose zhgëlqerëzoni rregullatorin e currilit të ujit ose kokën e dushit.
Temperatura e furnizimit me ujë të ftohtë është > 45 °C.	Furnizimi me ujë është ndërprerë.	Ajrosni pajisjen dhe tubacionin e furnizimit me ujë të ftohtë (shihni kapitullin «Cilësimet»).
	Temperatura e furnizimit me ujë të ftohtë është > 45 °C.	Ulni temperaturën e furnizimit me ujë të ftohtë.

Nëse nuk mund ta eliminoni shkaku, thërrisni një specialist. Për ndihmë më të mirë dhe më të shpejtë jepini atij numrin e etiketës së tipeve me (000000-0000-00000).



INSTALIMI

7. Siguria

Instalimi, vënia në punë si dhe mirëmbajtja dhe riparimi i pajisjes duhen kryer vetëm nga një specialist.

7.1 Udhëzimet e përgjithshme të sigurisë

Ne garantojmë një funksionim pa probleme dhe të sigurt vetëm nëse përdoren aksesoret origjinale të posaçëm për pajisjen dhe pjesë këmbimi origjinale.

Presioni i rrjedhjes

Nëse sasia e rrjedhjes për ndezjen e pajisjes nuk mjafton dhe kur rubineti është i hapur, atëherë çmontojeni kufizuesin e sasisë së rrjedhjes dhe zëvendësojeni atë me guarnicionin plastik të përfshirë në paketim.

Por nëse është e nevojshme rritni edhe presionin në instalimin e ujit.

Udhëzim

Në mënyrë që rubineti me termostat të funksionojë siç duhet, ju nuk duhet ta ndërroni kufizuesin e sasisë së rrjedhjes në këtë rubinet me guarnicionin plastik.



Dëmet materiale

Kini parasysh temperaturën maksimale të furnizimit. Kur temperaturat janë të larta, pajisja mund të dëmtohet. Me montimin e një rubineti qendror me termostat ju mund të kufizoni temperaturën maksimale të furnizimit.



PARALAJMËRIM Goditja nga energjia elektrike
Kjo pajisje përmban kondensatorë, të cilët shkarkohen pas shkëputjes nga rrjeti i energjisë elektrike. Nëse është e nevojshme, tensioni i shkarkimit të kondensatorit, mund të jetë për një kohë të shkurtër > 60 V DC.

7.2 Funksionimi i dushit



KUJDES Djegie

► Në rastin e furnizimit të një dushi konfiguroni kufizimin e brendshëm të temperaturës në «Tred», shihni kapitullin «Alternativat e montimit / Kufizimi i temperaturës».



KUJDES Djegie

Në rastin e furnizimit të pajisjes me ujë të ngrohur paraprakisht kini parasysh udhëzimin e mëposhtëm: Kufizimi i brendshëm i konfigurueshëm i temperaturës tejkalohet nëse është e nevojshme.

► Kufizoni temperaturën me një rubinet qendror me termostat të ndezur paraprakisht.

7.3 Rregulloret, standardet dhe përcaktimet



Udhëzim

Kini parasysh të gjitha rregulloret dhe përcaktimet kombëtare dhe rajonale.

- Mbrojtja IP 25 (e mbrojtur nga currili i ujit) është e garantuar vetëm nëse lidhësi i kabllos është montuar siç duhet.
- Rezistenca elektrike specifike e ujit nuk duhet të jetë më e vogël nga ajo që është dhënë në etiketën e tipeve. Në rastin e një rrjeti të lidhur me ujë duhet të merret parasysh rezistenca minimale elektrike e ujit (shihni kapitullin «Të dhënat teknike / Zona e përdorimit / Tabela e kthimit»).
- Rezistencën elektrike specifike ose përçueshmërinë elektrike të ujit e mësoni pranë kompanisë suaj e furnizimit me ujë.

8. Përshkrimi i pajisjes

8.1 Përmbajtja e paketimit në dorëzim

Me pajisjen dorëzohen:

- Varësja e murit
- Buloni me fileto për varësen e murit
- Shablloni i montimit
- 2 manikota dyshe (ujë i ftohtë me valvulën e bllokimit)
- Guarnicionet e sheshta
- Lidhësi i kabllos (linja elektrike sipër / poshtë)
- Vidat / takot për fiksimin në murin e pasmë në lidhjen e ujit jashtë murit

Për ndërrimin e pajisjes:

- 2 zgjatues për rubinet

9. Përgatitjet

9.1 Vendi i montimit

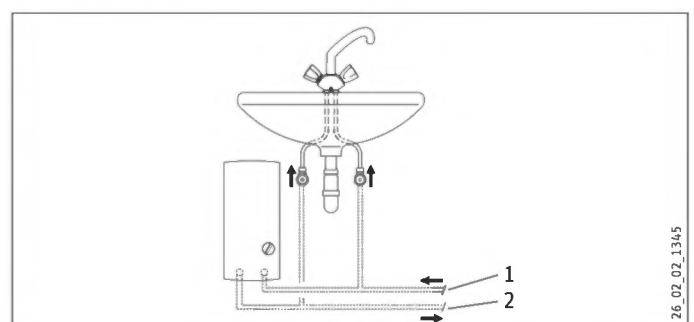


Dëmet materiale

Instalimi i pajisjes duhet kryer vetëm në një ambient pa ngricë.

- Montoni pajisjen horizontalisht dhe në afërsi të pikës së marrjes. Pajisja është e përshtatshme për një montim nën dhe mbi banak.

Montimi nën banak

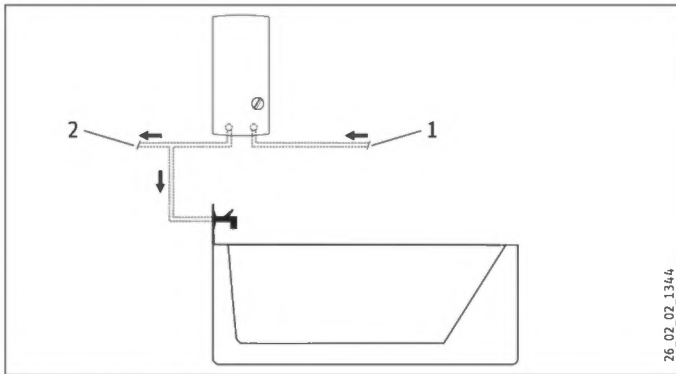


- 1 Furnizimi me ujë të ftohtë
- 2 Rrjedhja e ujit të ngrohtë

INSTALIMI

Montimi

Montimi mbi banak



- 1 Furnizimi me ujë të ftohtë
- 2 Rrjedhja e ujit të ngrohtë



Udhëzim

- ▶ Montoni pajisjen në mur. Muri duhet të ketë aftësi mbajtëse të mjaftueshme.

9.2 Instalimi i ujit

- Një valvul e sigurisë nuk është e nevojshme.
- Valvulat e sigurisë në tubacionin e ujit të ngrohtë nuk janë të lejuara.
- ▶ Shpëlani mirë tubacionin e ujit.
- ▶ Sigurohuni që rryma e vëllimit (shihni «Të dhënat teknike / Tabela e të dhënave», Ndezur) të arrihet për ndezjen e pajisjes. Nëse rryma e vëllimit nuk arrihet, merrni kufizuesin e sasisë së rrjedhjes (shihni kapitullin «Montimi / Marrja e kufizuesit të sasisë së rrjedhjes»).
- ▶ Risni presionin e tubacionit të ujit, në rast se nuk arrihet rryma e nevojshme e vëllimit kur valvula e marrjes është e hapur plotësisht.

Rubinetët

Përdorni rubinetët e përshtatshëm të presionit. Rubinetët e hapur nuk janë të lejuar.



Udhëzim

Nuk duhet ta përdorni valvulën e bllokimit në furnizimin me ujë të ftohtë për uljen e rrjedhjes. Ajo shërben për bllokimin e pajisjes.

Lëndët e miratuara të tubacioneve të ujit

- Tubacioni i furnizimit me ujë të ftohtë: tub çeliku i galvanizuar me zjarr, tub çeliku inoks, tub bakri ose tub plastik
- Tubacioni i rrjedhjes së ujit të ngrohtë: Tub çeliku inoks, tub bakri ose tub plastik



Dëmet materiale

Gjatë përdorimit të sistemeve të tubave plastikë kini parasysh temperaturën maksimale të furnizimit dhe presionin maksimal të lejuar (shihni kapitullin «Të dhënat teknike / Tabela e të dhënave»).

Tubacionet fleksibël të lidhjes së ujit

- ▶ Në rastin e instalimit me tubacione fleksibël të lidhjes së ujit parandaloni një rrotullim të bërrylave të tubit me lidhjet bajonet në pajisje.
- ▶ Fiksioni murin e pasmë me dy vida shtesë poshtë.

10. Montimi

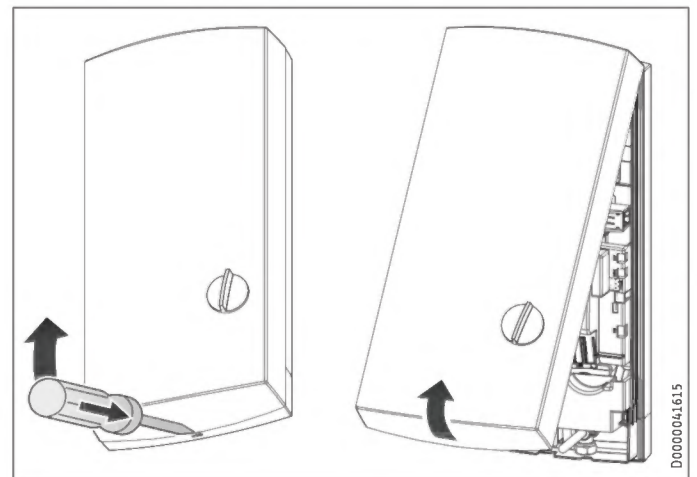
10.1 Montimi standard

- Lidhja elektrike sipër, instalimi inkaso
- Lidhja e ujit, instalimi inkaso
- PEO 18/21/24: lidhja elektrike e mesit e konfiguruar paraprakisht

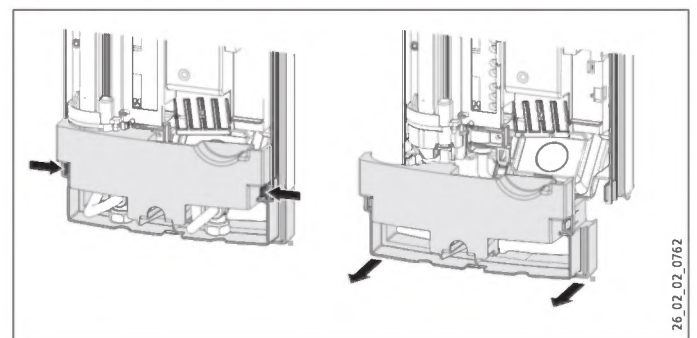
Mundësi të tjera të montimit, shihni kapitullin «Alternativat e montimit»:

- Lidhja elektrike inkaso poshtë
- Lidhja elektrike jashtë murit
- Lidhja e një releje të shkarkimit të ngarkesës
- Instalimi i ujit jashtë murit
- Lidhja e ujit inkaso në rastin e ndërrimit të pajisjes
- Funksionimi me ujë të ngrohur paraprakisht
- Kufizimi i temperaturës

Hapni pajisjen



- ▶ Hapni pajisjen, duke zhbllokuar mbylljen e fiksuar.

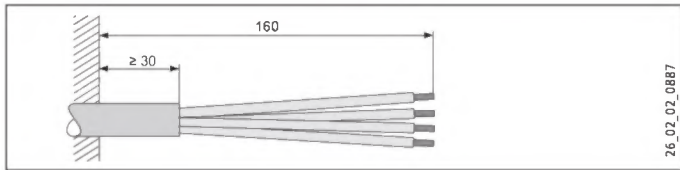


- ▶ Ndani murin e pasmë, duke shtypur të dy grepat fiksues dhe duke nxjerrë përpara pjesën e poshtme të murit të pasmë.

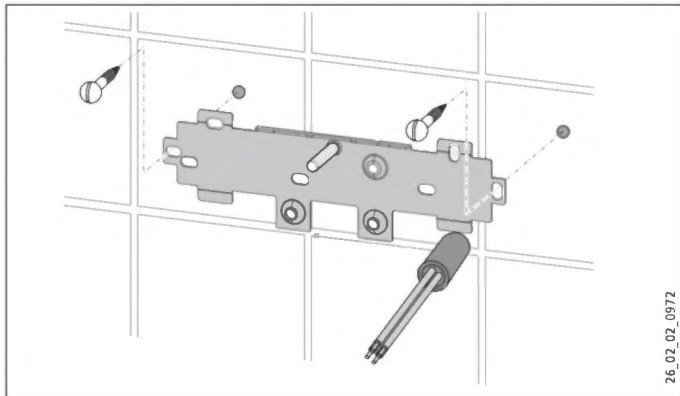
INSTALIMI

Montimi

Përgatitja e kabllon e lidhjes së rrjetit

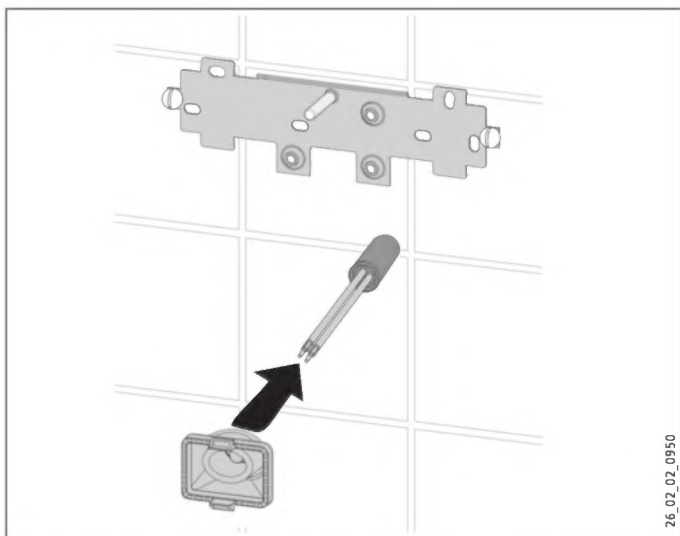


Montoni varësen në mur



- ▶ Shënoni vrimat e shpimit me shabllonin e montimit. Në rastin e montimit me lidhjet e ujit të shtrira jashtë murit, duhet të shënoni gjithashtu edhe vrimat e fiksimit në pjesën e poshtme të shabllonit.
- ▶ Shponi vrimat dhe fiksoni varësen në mur me 2 vida dhe 2 tako (vidat dhe takot nuk janë të përfshira në paketim).
- ▶ Montoni bulonin e bashkëngjitur me fileto.
- ▶ Montoni varësen e murit.

Montoni lidhësin e kablllos



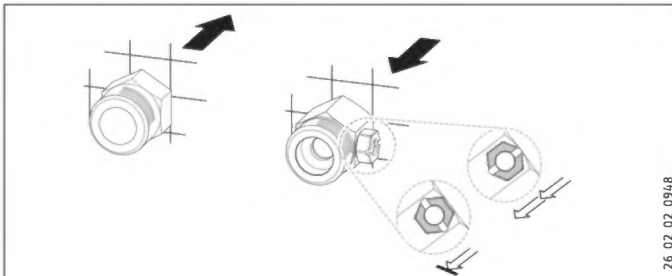
- ▶ Montoni lidhësin e kablllos. Në rastin e një kabloje lidhëse > 6 mm² duhet të zmadhoni vrimën në lidhësin e kablllos.

Vendosni lidhjen e ujit



Dëmet materiale

Përfundoni të gjitha punimet e lidhjes së ujit dhe instalimit sipas rregullores.



- ▶ Izoloni dhe vidhosni manikotën dyshe.



Dëmet materiale

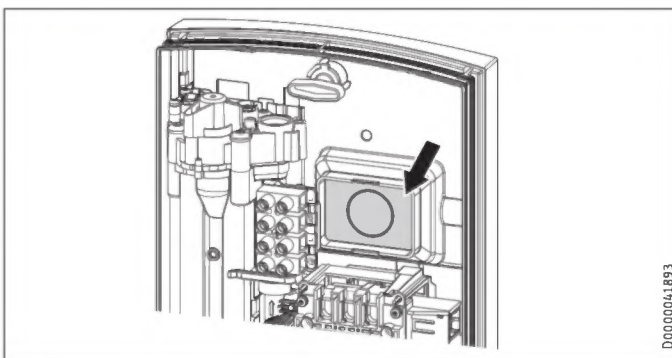
Nuk duhet ta përdorni valvulën e bllokimit në furnizimin me ujë të ftohtë për uljen e rrjedhjes.

Përgatitja e murin e pasmë



Dëmet materiale

Nëse hapni pa dashje një vrimë të gabuar në murin e pasmë, atëherë duhet të përdorni një mur të ri të pasmë.

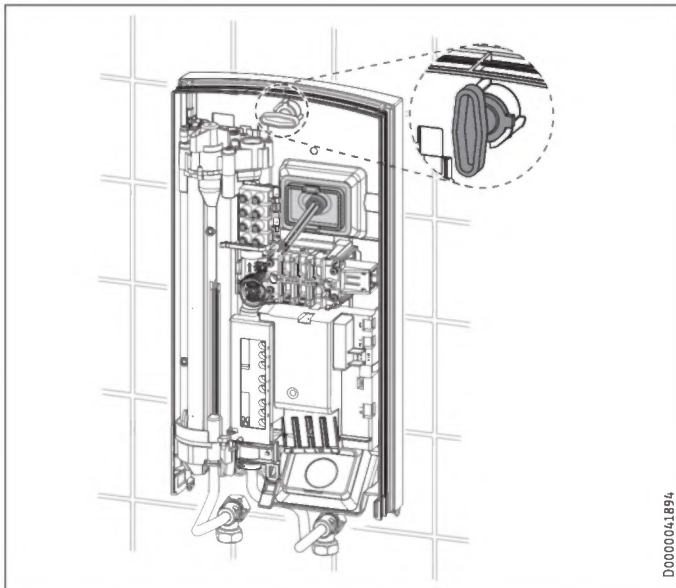


- ▶ Pastroni vendin e hapur për lidhësin e kablllos në murin e pasmë. Nëse është e nevojshme pastroni cepat e mprehtë me një limë.

INSTALIMI

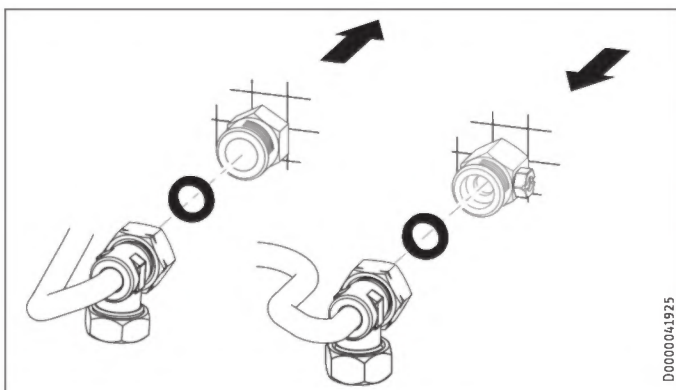
Montimi

Montoni pajisjen



D0000041894

- ▶ Vendosni murin e pasmë nëpërmjet bulonit me fileto dhe lidhësit të kabllot. Tërhiqni lidhësin e kabllot me ndihmën e një pince në grepat e fiksimit në murin e pasmë, derisa të dy grepat e fiksimit të fiksohen në mënyrë që të dëgjohen.
- ▶ Hiqni tapën mbrojtëse të transportit nga lidhjet e ujit.
- ▶ Ngjeshni fort murin e pasmë dhe bllokoni me çelësin e fiksimit duke e rrotulluar në të djathtë me 90°.



D0000041925

- ▶ Vidhosni tubat e lidhjes së ujit me guarnicione të sheshta në manikotën dyshe.



Dëmet materiale

Për funksionin e pajisjes kullesa duhet të jetë e montuar.

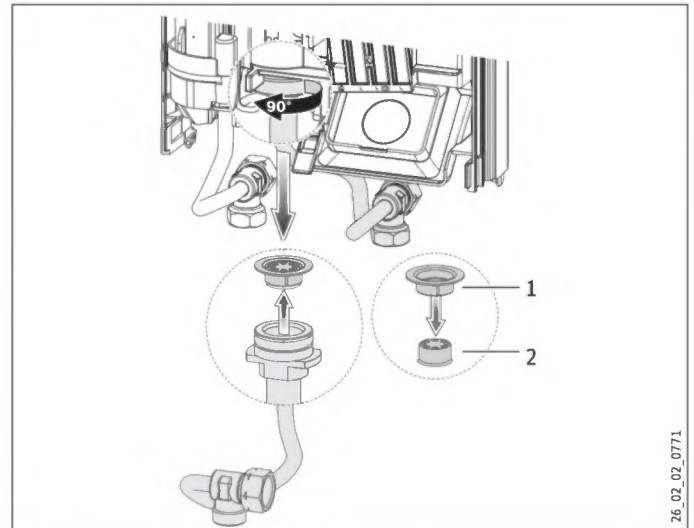
- ▶ Gjatë ndërrimit të pajisjes kontrolloni nëse kullesa është e disponueshme (shihni kapitullin «Mirëmbajtja»).

Hiqni kufizuesin e sasisë së rrjedhjes



Dëmet materiale

Nëse përdorni një rubinet me termostat, kufizuesi i sasisë së rrjedhjes nuk duhet hequr.



26_02_02_0771

- 1 Guarnicioni plastik
- 2 Kufizuesi i sasisë së rrjedhjes

- ▶ Hiqni kufizuesin e sasisë së rrjedhjes dhe vendosni përsëri guarnicionin plastik.

Vendosni lidhjen elektrike



PARALAJMËRIM Goditja nga energjia elektrike

Bëjini të gjitha proceset e lidhjes elektrike dhe instalimit sipas rregullores.



PARALAJMËRIM Goditja nga energjia elektrike

Lidhja në rrjetin e rrymës është e lejuar vetëm si lidhje fikse në lidhje me lidhësin që mund të hiqet të kabllot. Pajisja duhet të jetë në gjendje të ndahet nga lidhja e rrjetit në të gjitha polet me një distancë ndarëse prej të paktën 3 mm.



PARALAJMËRIM Goditja nga energjia elektrike

Sigurohuni që pajisja të jetë e lidhur në përcjellësin mbrojtës të tokëzimit.



Dëmet materiale

Kini parasysh etiketën e tipeve. Tensioni i specifikuar duhet të përputhet me tensionin e rrjetit.

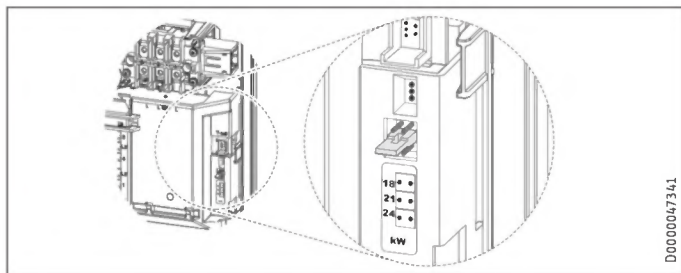
- ▶ Lidhni kabllon e lidhjes elektrike te kapëset e lidhjes së rrjetit (shihni kapitullin «Të dhënat teknike / Diagrami i qarkut elektrik»).

INSTALIMI

Montimi

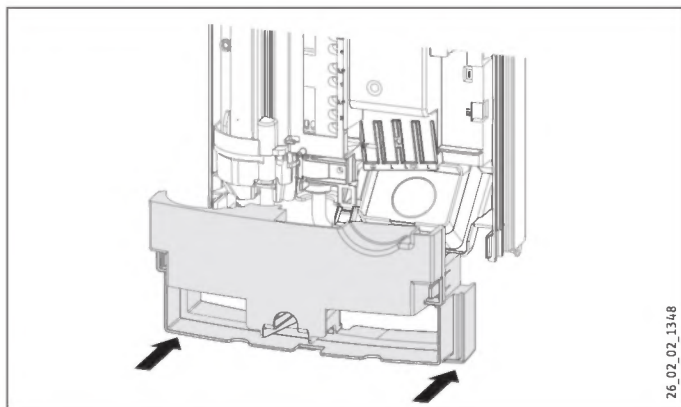
PEO 18/21/24: Fusni sërish spinën e kodimit

Në rastin e dorëzimit pajisja është kaluar në 21 kW. Në rastin e ndërrimit me një lidhje tjetër elektrike duhet të ndërmerri hapat e mëposhtëm:



- ▶ Fusni përsëri spinën e kodimit në përputhje me lidhjen elektrike të zgjedhur (për lidhjen elektrike të zgjedhshme dhe sigurimin e pajisjes shihni kapitullin «Të dhënat teknike / Tabela e të dhënave»).
- ▶ Shënoni me kryq lidhjen elektrike të zgjedhur në etiketën e tipeve. Për këtë përdorni një stilolaps.

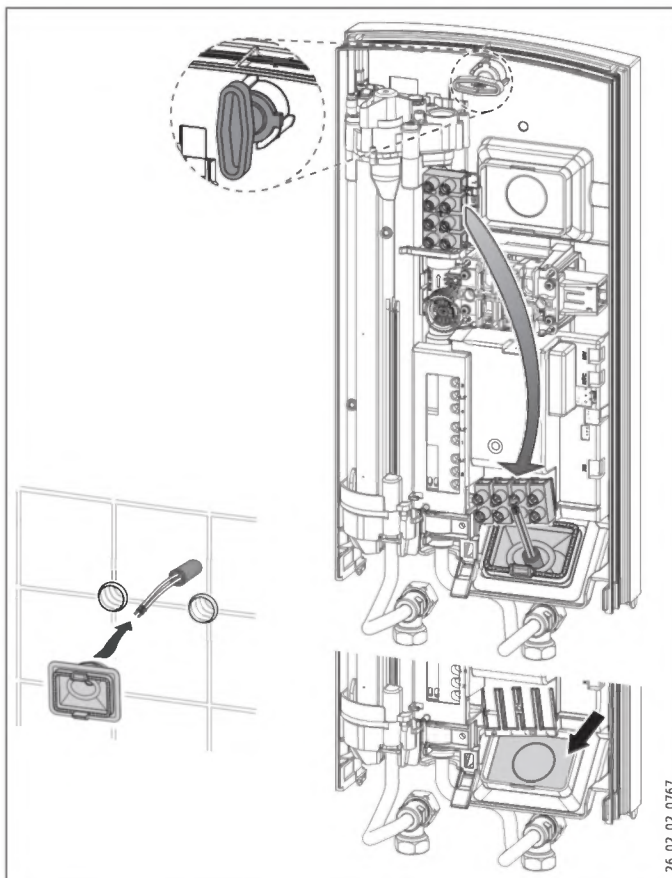
Montoni pjesën e poshtme të murit të pasmë



- ▶ Montoni pjesën e poshtme të murit të pasmë në murin e pasmë dhe fiksojeni pjesën e poshtme të murit të pasmë.
- ▶ Rregulloni pajisjen e montuar duke e liruar me çelësin fiksues, duke përshtatur lidhjen elektrike dhe murin e pasmë dhe duke e vidhosur përsëri fort me çelësin e fiksimit. Nëse muri i pasmë i pajisjes nuk vendoset, atëherë mund ta fiksoni pajisjen poshtë me dy vida shtesë.

10.2 Alternativat e montimit

10.2.1 Lidhja elektrike inkaso poshtë



- ▶ Montoni lidhësin e kablllos.



Dëmet materiale

Nëse hapni pa dashje një vrimë të gabuar në murin e pasmë, atëherë duhet të përdorni një mur të ri të pasmë.

- ▶ Pastroni vendin e hapur për lidhësin e kablllos në murin e pasmë. Nëse është e nevojshme pastroni cepat e mprehtë me një limë.
- ▶ Lëvizeni kapësen e lidhjes së rrjetit në pajisje nga lart poshtë.
- ▶ Vendosni murin e pasmë nëpërmjet bulonit me fileto dhe lidhësit të kablllos. Tërhiqni lidhësin e kablllos me ndihmën e një pince në grepat e fiksimit në murin e pasmë, derisa të dy grepat e fiksimit të fiksohen në mënyrë që të dëgjohen.
- ▶ Ngjeshni fort murin e pasmë dhe bllokoni me çelësin e fiksimit duke e rrotulluar në të djathtë me 90°.

INSTALIMI

Montimi

10.2.2 Lidhja elektrike jashtë murit



Udhëzim

- Në rastin e kësaj lloji lidhjeje mbrojtja e pajisjes ndryshon.
- ▶ Ndryshoni etiketën e tipeve. Hiqini një vizë të dhënave IP 25 dhe shënoni me kryq kutizën IP 24. Për këtë përdorni një stilolaps.



Dëmet materiale

Nëse hapni pa dashje një vrimë të gabuar në murin e pasmë, atëherë duhet të përdorni një mur të ri të pasmë.

- ▶ Prisni ose shkëputni me kujdes kalimin që nevojitet në murin e pasmë (për pozicionet shihni kapitullin «Të dhënat teknike / Përmasat dhe lidhjet»). Nëse është e nevojshme pastroni cepat e mprehtë me një limë.
- ▶ Kaloni kabllon e lidhjes elektrike përmes lidhësit të kabllos dhe lidhni atë me kapësen e lidhjes së rrjetit.

10.2.3 Lidhja e një releje të shkarkimit të ngarkesës

Përdorni një rele të shkarkimit të ngarkesës në kombinim me pajisje të tjera elektrike, p.sh. pajisje elektrike që e ruajnë nxehtësinë, në shpërndarjen elektrike. Shkarkimi i ngarkesës bëhet në rastin e funksionimit të nxehtësit të rrjedhjes.



Dëmet materiale

Lidhni fazën që stakon relenë e shkarkimit të ngarkesës, me kapësen e identifikuar të lidhjes së rrjetit në pajisje (shihni kapitullin «Të dhënat teknike / Diagrami i qarkut elektrik»).

10.2.4 Instalimi i ujit jashtë murit

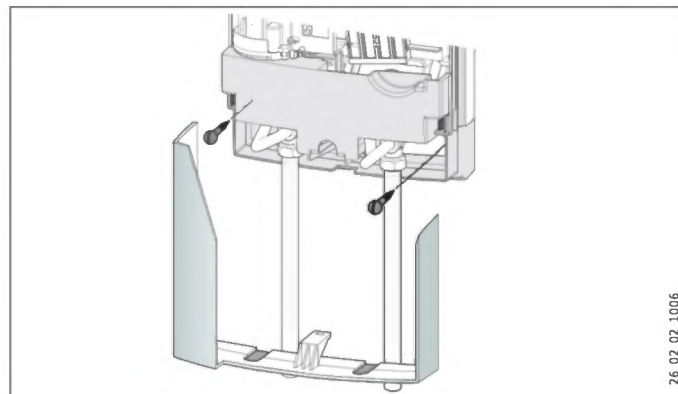


Udhëzim

- Në rastin e kësaj lloji lidhjeje mbrojtja e pajisjes ndryshon.
- ▶ Ndryshoni etiketën e tipeve. Hiqini një vizë të dhënave IP 25 dhe shënoni me kryq kutizën IP 24. Për këtë përdorni një stilolaps.



- ▶ Montoni tapën e ujit me guarnicionet, për të mbyllur lidhjen inkaso.
- ▶ Montoni një rubinet të përshtatshëm të presionit.



- ▶ Fiksioni murin e pasmë me dy vida shtesë poshtë.
- ▶ Shtyni pjesën e poshtme të murit të pasmë poshtë tubave të lidhjes së rubinetit dhe fiksojeni pjesën e poshtme të murit të pasmë.
- ▶ Vidhosni tubat e lidhjes me pajisjen.



Dëmet materiale

Nëse hapni pa dashje një vrimë të gabuar në kapakun e pajisjes, atëherë duhet të përdorni një kapak të ri të pajisjes.

- ▶ Shkëputni me kujdes kalimet në kapakun e pajisjes. Nëse është e nevojshme pastroni cepat e mprehtë me një limë.

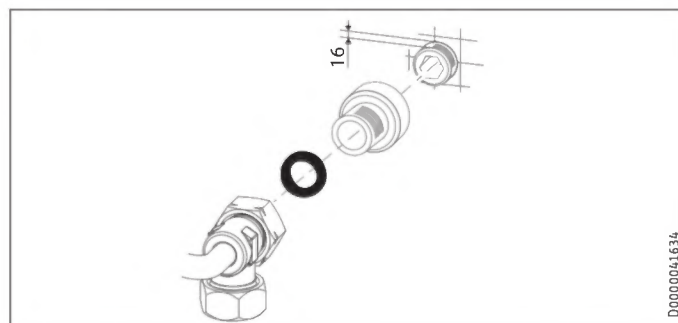
10.2.5 Instalimi i ujit inkaso në rastin e ndërrimit të pajisjes

Në rast se manikota e disponueshme dyshe e pajisjes së vjetër del nga muri vetëm rreth 16 mm, atëherë nuk mund ta përdorni më manikotën dyshe të lëvruar.



Udhëzim

Në rastin e kësaj lidhjeje, bllokimi i furnizimit me ujë të ftohtë është i mundur vetëm në instalimin e shtëpisë.

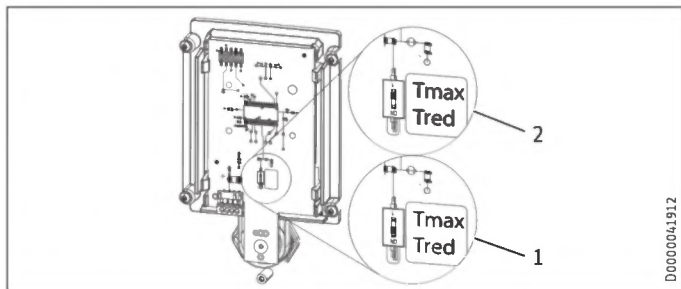


- ▶ Izoloni dhe vidhosni zgjatuesit e bashkëngjitur të rubinetit.
- ▶ Lidhni pajisjen.

10.2.6 Funksionimi me ujë të ngrohur paraprakisht

Me montimin e një rubineti qendror me termostat kufizohet temperatura maksimale e furnizimit.

10.2.7 Kufizimi i temperaturës



- 1 Pozicioni «Tred» (55 °C): Kufizimi i temperaturës
- 2 Pozicioni «Tmaks»: nuk ka kufizim të temperaturës, për zonën e konfigurimit të temperaturës shihni kapitullin «Të dhënat teknike / Tabela e të dhënave».

- ▶ Hiqni kapakun e pajisjes.
- ▶ Shtyni çelësin në pozicionin e dëshiruar.
- ▶ Montoni kapakun e pajisjes.



KUJDES Djegie

Në rastin e funksionimit me ujë të ngrohur paraprakisht kufizimi i konfiguruar i temperaturës mund të jetë pa ndikim.

- ▶ Në këtë rast kufizoni temperaturën në rubinetin qendror me termostatat të ndezur paraprakisht.

10.3 Përfundoni montimin

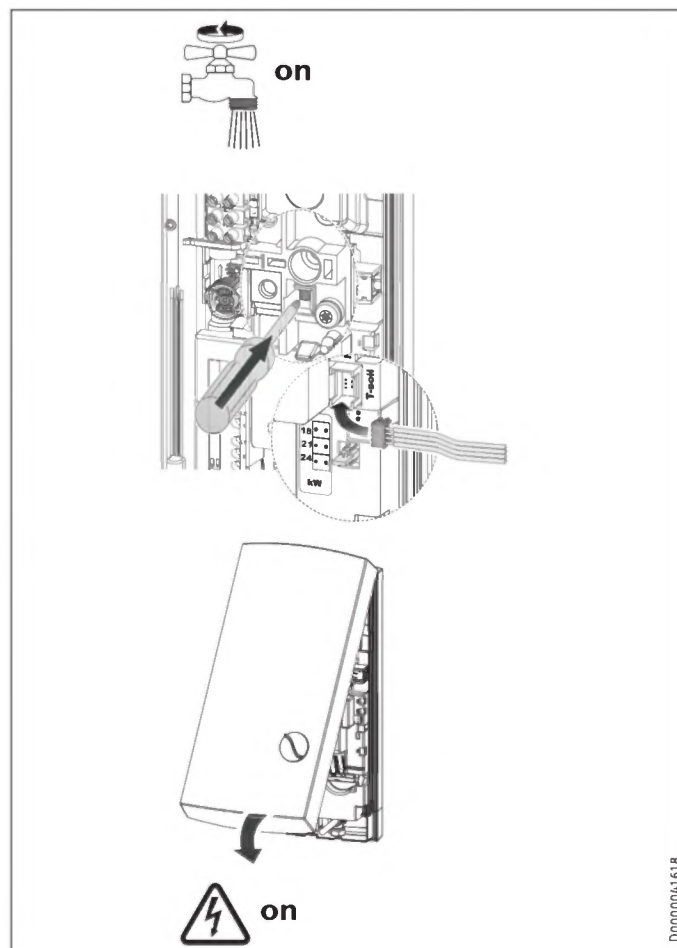
- ▶ Hapni valvulën e bllokimit në manikotën dyshe ose në furnizimin e ujit të ftohtë.

11. Vënia në punë



PARALAJMËRIM Goditja nga energjia elektrike
Vënia në punë duhet të kryhet vetëm nga një specialist duke pasur parasysh rregulloret e sigurisë.

11.1 Vënia në punë për herë të parë



- ▶ Hapni dhe mbyllni disa herë të gjitha valvulat e lidhura të marrjes, derisa rrjeti i tubacionit dhe pajisja të jenë pa ajër.
- ▶ Kryeni një kontroll të dendësisë.
- ▶ Aktivizoni kufizuesin e presionit të sigurisë, duke shtypur fort butonin e rivendosjes (pajisja dorëzohet me kufizuesin e çaktivizuar të presionit të sigurisë).
- ▶ Fusni spinën e kablllos së konfiguruesit të temperaturës në sistemin elektronik.
- ▶ Montoni kapakun e pajisjes, derisa ajo të fiksohet në mënyrë që të dëgjohet. Kontrolloni ulësen e kapakut të pajisjes.
- ▶ Ndizni tensionin e rrjetit.
- ▶ Kontrolloni mënyrën e punës së pajisjes.

Dorëzimi i pajisjes

- ▶ Shpjegojini përdoruesit funksionin e pajisjes dhe familjarizojeni atë me përdorimin e pajisjes.
- ▶ Udhëzoheni përdoruesin për rreziqet e mundshme, veçanërisht rrezikun e përvëlimit.
- ▶ Dorëzoni këtë manual.

11.2 Rivënia në punë

Ajrosni pajisjen dhe tubacionin e furnizimit me ujë të ftohtë (shihni kapitullin «Çilësimet»).

Shihni kapitullin «Vënia në punë për herë të parë».

12. Dalja jashtë përdorimit

- ▶ Shkëputni pajisjen në të gjitha polet nga lidhja e rrjetit.
- ▶ Zbrazeni pajisjen (shihni kapitullin «Mirëmbajtja»).

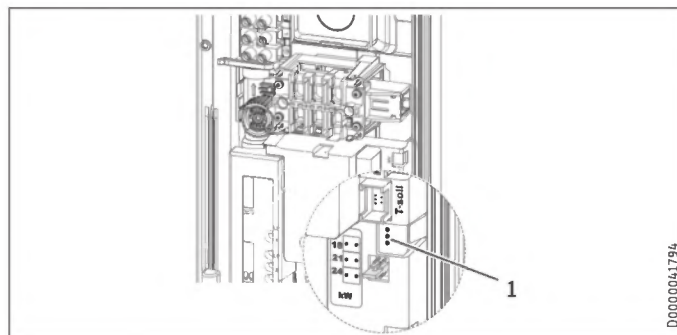
13. Eliminimi i defektit



PARALAJMËRIM Goditja nga energjia elektrike
Për të kontrolluar pajisjen, duhet që tensioni i rrjetit të jetë lidhur në pajisje.

Opsionet e treguesit të llambës diagnostikuese (LED)

●	e kuqe	ndriçon në rast defekti
●	e verdhë	ndriçon në rastin e funksionit të ngrohjes
○	jeshile	pulson: Pajisja në lidhjen e rrjetit



1 Llamba diagnostikuese

Defekti / treguesi i llambës diagnostikuese LED	Shkaku	Eliminimi
Rrjedhja është shumë e ulët.	Kulesa në pajisje është e ndotur.	Pastroni kulesën.
Temperatura e synuar nuk arrihet.	Mungon një fazë.	Kontrolloni siguresën në instalimin e shtëpisë.
Ngrohja nuk ndizet.	Identifikohet ajër në ujë dhe kapaciteti ngrohës aktivizohet për një kohë të shkurtër.	Pajisja vihet përsëri në punë pas një minute.

Defekti / treguesi i llambës diagnostikuese LED	Shkaku	Eliminimi
nuk ka ujë të ngrohtë dhe asnjë tregues të llambës.	Siguresa është çaktivizuar. Kufizuesi i presionit të sigurisë AP 3 është çaktivizuar.	Kontrolloni siguresën në instalimin e shtëpisë. Eliminoni shkakun e gabimit (p.sh. një shpëlarës me presion me defekt). Mbroni sistemin e ngrohjes nga mbinxehja, duke hapur për një minutë një valvul të marrjes me stakim të mëvonshëm në pajisje. Si rrjedhojë, sistemi i ngrohjes lirohet nga presioni dhe ftohet. Aktivizoni kufizuesin e presionit të sigurisë në rastin e presionit të rrjedhjes, duke shtypur butonin e rivendosjes (shihni kapitullin «Vënia në punë për herë të parë»).
Treguesi i llambës: pulson në ngjyrë jeshile ose me dritë të vazhdueshme	Sistemi elektronik është me defekt.	Kontrolloni sistemin elektronik dhe nëse është e nevojshme ndërroni sistemin elektronik.
nuk ka ujë të ngrohtë në rastin e rrjedhjes > 2,5 l/min.	Regjistruesi i rrjedhjes DFE nuk është hapur. Regjistruesi i rrjedhjes DFE është me defekt.	Fusni përsëri spinën e regjistruesit të rrjedhjes. Kontrolloni regjistruesin e rrjedhjes dhe nëse është e nevojshme ndërroni regjistruesin e rrjedhjes.
Treguesi i llambës: dritë e verdhë e vazhdueshme, pulson në ngjyrë jeshile	Kufizuesi i temperaturës së sigurisë është çaktivizuar ose është ndërprerë.	Kontrolloni kufizuesin e temperaturës së sigurisë dhe nëse është e nevojshme ndërroni kufizuesin e temperaturës së sigurisë.
nuk ka ujë të ngrohtë në rastin e rrjedhjes > 3 l/min.	Sistemi i ngrohjes ka defekt. Sistemi elektronik është me defekt.	Matni rezistencën e sistemit të ngrohjes dhe nëse është e nevojshme ndërroni rezistencën. Kontrolloni sistemin elektronik dhe nëse është e nevojshme ndërroni sistemin elektronik.
Treguesi i llambës: dritë e kuqe e vazhdueshme, pulson në ngjyrë jeshile	Sensori i rrjedhjes është hequr ose është shfaqur një ndërprerje e linjës.	Lidhni sensorin e rrjedhjes dhe nëse është e nevojshme ndërroni sensorin e rrjedhjes.
Treguesi i llambës: dritë e kuqe e vazhdueshme, pulson në ngjyrë jeshile	Sensori i ujit të ftohtë është me defekt.	Kontrolloni sistemin elektronik dhe nëse është e nevojshme ndërroni sistemin elektronik.
nuk ka ujë të ngrohtë temperatura e dëshiruar > 45 °C nuk arrihet.	Temperatura e furnizimit me ujë të ftohtë është më e lartë se 45 °C.	Ulni temperaturën e furnizimit me ujë të ftohtë në pajisje.
Treguesi i llambës: dritë e kuqe e vazhdueshme, pulson në ngjyrë jeshile	Sensori i rrjedhjes është me defekt (qark i shkurtër).	Kontrolloni sensorin e rrjedhjes dhe nëse është e nevojshme ndërroni sensorin e rrjedhjes.

14. Mirëmbajtja



PARALAJMËRIM Goditja nga energjia elektrike
Në rastin e të gjitha punimeve shkëputni pajisjen në të gjitha polet nga lidhja e rrjetit.

Zbrazni pajisjen

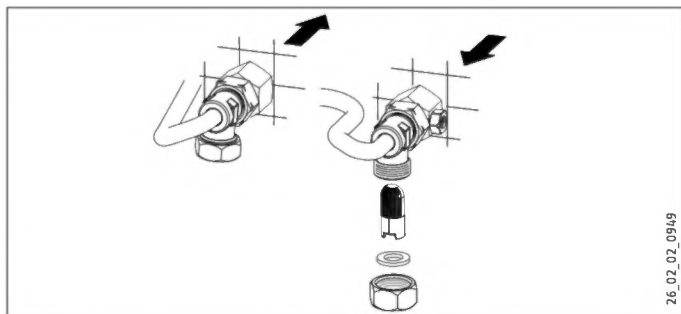
Ju mund ta zbrazni pajisjen për punimet e mirëmbajtjes.



PARALAJMËRIMI Djegia
Gjatë zbrazjes së pajisjes mund të dalë ujë i nxehtë.

- ▶ Mbyllni valvulën e bllokimit në manikotën dyshe ose në furnizimin e ujit të ftohtë.
- ▶ Hapni të gjitha valvulat e marrjes.
- ▶ Lironi lidhjet e ujit nga pajisja.
- ▶ Ruani një pajisje të çmontuar pa ngrica, sepse ka ujë të mbetur në pajisje, i cili mund të shkaktojë ngrirje dhe dëme.

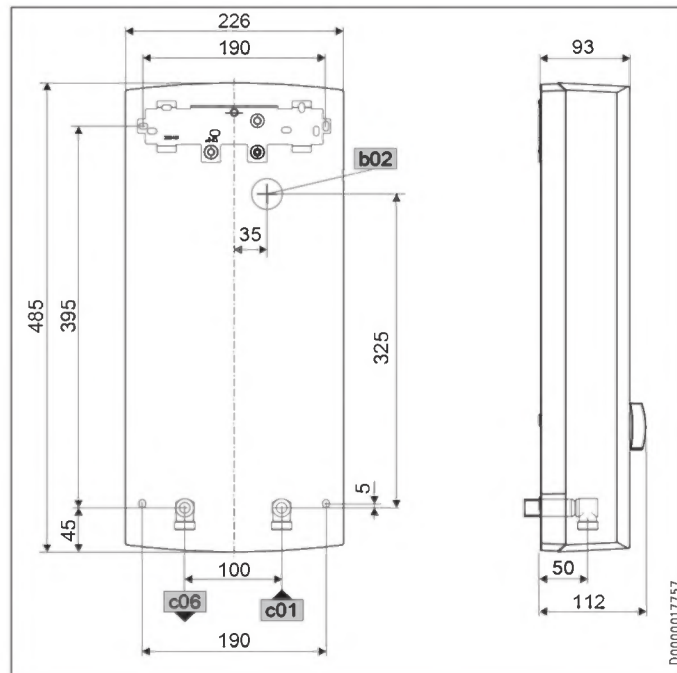
Pastroni kulesën



Në rastin e papastërtive pastroni kulesën në lidhjen e vidhosur të ujit të ftohtë. Mbyllni valvulën e bllokimit në tubacionin e furnizimit me ujë të ftohtë, përpara se ta çmontoni, ta pastroni dhe ta montoni përsëri kulesën.

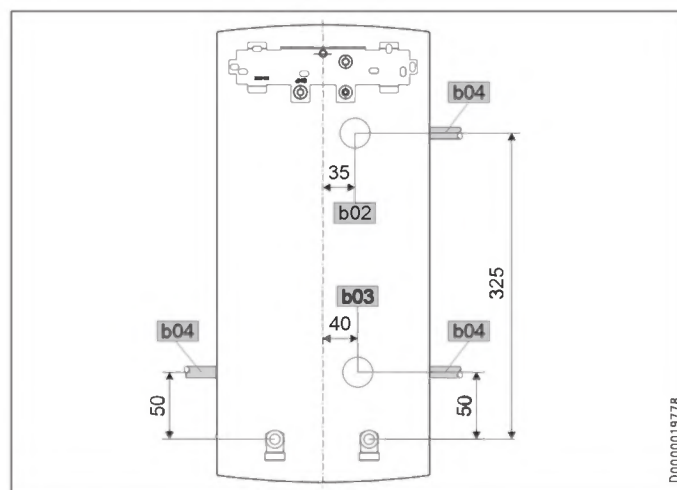
15. Të dhënat teknike

15.1 Përmasat dhe lidhjet



b02	Kalimi i linjave elektrike I	Fileto e jashtme	G 1/2 A
c01	Furnizimi me ujë të ftohtë	Fileto e jashtme	G 1/2 A
c06	Rrjedhja e ujit të ngrohtë	Fileto e jashtme	G 1/2 A

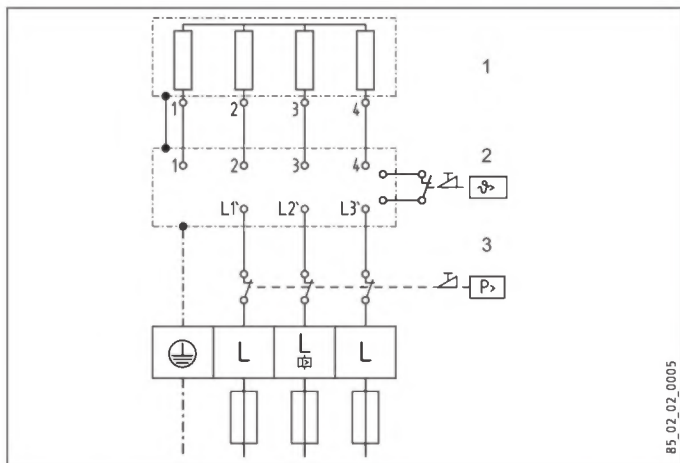
Mundësitë alternative të lidhjes



b02	Kalimi i linjave elektrike I		
b03	Kalimi i linjave elektrike II		
b04	Kalimi i linjave elektrike III		

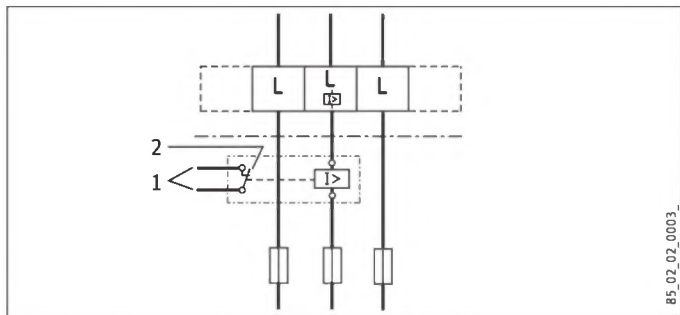
15.2 Diagrami i qarkut elektrik

3/PE ~ 380-415 V



- 1 Ngrohja
- 2 Kufizuesi i temperaturës së sigurisë
- 3 Kufizuesi i presionit të sigurisë

Ndezja me përparësi LR 1-A



- 1 Linja e sistemit të komandimit për mbrojtjen nga ndezja e pajisjes 2. (p.sh. pajisja elektrike që e ruan nxehtësinë).
- 2 Kontakti i sistemit të komandimit hapet gjatë ndezjes së nxehtësit të rrjedhjes.

15.3 Fuqia e ujit të ngrohtë

Fuqia e ujit të ngrohtë varet nga tensioni i lidhur i rrjetit, nga lidhja elektrike e pajisjes dhe nga temperatura e furnizimit me ujë të ftohtë. Tensionin nominal dhe fuqinë nominale e merrni nga etiketa e tipeve (shihni kapitullin «Eliminimi i problemit»).

Lidhja elektrike në kW			Fuqia e ujit të ngrohtë 38 °C në L/min.			
Tensioni nominal			Temperatura e furnizimit me ujë të ftohtë			
380 V	400 V	415 V	5 °C	10 °C	15 °C	20 °C
16,2			7,0	8,3	10,1	12,9
19,0			8,2	9,7	11,8	15,1
21,7			9,4	11,1	13,5	17,2
	18,0		7,8	9,2	11,2	14,3
	21,0		9,1	10,7	13,0	16,7
	24,0		10,4	12,2	14,9	19,0
		19,4	8,4	9,9	12,0	15,4
		22,6	9,8	11,5	14,0	17,9
		25,8	11,2	13,2	16,0	20,5
24,4			10,6	12,4	15,2	19,4
	27,0		11,7	13,8	16,8	21,4

Lidhja elektrike në kW			Fuqia e ujit të ngrohtë 50 °C në L/min.			
Tensioni nominal			Temperatura e furnizimit me ujë të ftohtë			
380 V	400 V	415 V	5 °C	10 °C	15 °C	20 °C
16,2			5,1	5,8	6,6	7,7
19,0			6,0	6,8	7,8	9,0
21,7			6,9	7,8	8,9	10,3
	18,0		5,7	6,4	7,3	8,6
	21,0		6,7	7,5	8,6	10,0
	24,0		7,6	8,6	9,8	11,4
		19,4	6,2	6,9	7,9	9,2
		22,6	7,2	8,1	9,2	10,8
		25,8	8,2	9,2	10,5	12,3
24,4			7,7	8,7	10,0	11,6
	27,0		8,6	9,6	11,0	12,9

15.4 Zonat e përdorimit / tabela e kthimit

Rezistenca elektrike specifike dhe përçueshmëria elektrike specifike (shihni kapitullin «Tabela e të dhënave»).

Të dhënat e standardit në 15 °C		20 °C		25 °C				
Rezistenca $\rho \geq$	Përçueshmëria $\sigma \leq$	Rezistenca $\rho \geq$	Përçueshmëria $\sigma \leq$	Rezistenca $\rho \geq$	Përçueshmëria $\sigma \leq$			
$\Omega \text{ cm}$	mS/m	$\mu\text{S/cm}$	$\Omega \text{ cm}$	mS/m	$\mu\text{S/cm}$			
900	111	1111	800	125	1250	735	136	1361
1000	100	1000	890	112	1124	815	123	1227
1200	83	833	1070	93	935	985	102	1015
1300	77	769	1175	85	851	1072	93	933

15.5 Humbjet e presionit

Rubinetët

Humbja e presionit të rubinetave kur rryma e vëllimit është 10 L/min		
	MPa	0,04 - 0,08
Përzierës me një levë, rreth		
Rubineti me termostat, rreth		
Kullesa e dorës, rreth		

Dimensionimet e rrjetit të tubave

Për llogaritjen e dimensionimeve të rrjetit të tubave për pajisjen rekomandohet një humbje e presionit prej 0,1 MPa.

15.6 Kushtet në rast defekti

Në rast defekti, në instalimin e ngarkesave me afat të shkurtër prej maksimumi 95 °C mund të shfaqet një presion prej 1,2 MPa.

15.7 Të dhënat për konsumin e energjisë

Fleta e të dhënave të produktit: Përgatitësi konvencional i ujit të ngrohtë sipas rregullores (BE) numër 812/2013 | 814/2013

		PEO 18/21/24 233991	PEO 27 233992
Prodhuesi		STIEBEL ELTRON	STIEBEL ELTRON
Profili i ngarkesës		S	S
Klasa e efikasitetit të energjisë		A	A
Shkalla energjetike e ndikimit	%	39	39
Konsumi vjetor i energjisë elektrike	kWh	477	481
Konfigurimi i temperaturës që nga fabrika	°C	60	60
Niveli i fuqisë së tingullit	dB(A)	15	15
Udhëzime të veçanta për matjen e efikasitetit		Të dhënat në Pmaks.	Matur me DMB 8,5 Ltr/min
Konsumi ditor i energjisë elektrike	kWh	2,198	2,220

15.8 Tabela e të dhënave

		PEO 18/21/24 233991	PEO 27 233992
Të dhënat elektrike			
Tensioni nominal	V	380	400
Fuqia nominale	kW	16,2/19/21,7	18/21/24
Rryma nominale	A	27,6/29,5/33,3	29/31/35
Sigurimi	A	32/32/35	32/32/40
Frekuenca	Hz	50/60	50/-
Fazat		3/PE	3/PE
Rezistenca specifike $\rho_{15} \geq$ (në 0e ftohtë $\leq 25^{\circ}\text{C}$)	Ω cm	900	1000
Përçueshmëria specifike $\sigma_{15} \leq$ (në 0e ftohtë $\leq 25^{\circ}\text{C}$)	$\mu\text{S/cm}$	1111	1000
Rezistenca specifike $\rho_{15} \geq$ (në 0e ftohtë $\leq 45^{\circ}\text{C}$)	Ω cm	1200	1300
Përçueshmëria specifike $\sigma_{15} \leq$ (në 0e ftohtë $\leq 45^{\circ}\text{C}$)	$\mu\text{S/cm}$	833	770
Impedanca maks. e rrjetit në 50Hz	Ω	0,284	0,270
Versioonet			
Sistemi i ngrohjes së gjeneruesit të ngrohtësisë		Tel i zhveshur	Tel i zhveshur
Bllok izolues		Plastikë	Plastikë
Konfigurimi i temperaturës	°C	30-60	30-60
Klasa e mbrojtjes		1	1
Kapaku dhe muri i pasmë		Plastikë	Plastikë
Mbrojtja (IP)		IP25	IP25
Ngjyra		e bardhë	e bardhë
Lidhjet			
Lidhja e ujit		G 1/2 A	G 1/2 A
Kufijtë e përdorimit			
Presioni maks. i lejuar	MPa	1	1
Temperatura maksimale e furnizimit për ngrohjen e mëvonshme	°C	45	45
Vlerat			
Temperatura maks. e lejuar e furnizimit	°C	60	60
Ndezur	l/min	> 2,5	> 2,5
Ofrimi i ujit të ngrohtë	l/min	9,4/11,0/12,6	14,2
$\Delta\theta$ gjatë dhënies	K	26	26
Të dhënat e sistemit hidraulik			
Përmbajtja nominale	l	0.4	0.4
Dimensionet			
Gjatësia	mm	485	485
Gjerësia	mm	226	226
Thellësia	mm	93	93
Peshat			
Pesha	kg	3,6	3,6



Udhëzim

Pajisja përputhet me IEC 61000-3-12.

Garancia

Për pajisjet e blera jashtë Gjermanisë, kushtet e garancisë nuk vlejnë për kompanitë tona gjermane. Për më tepër, në vendet ku një nga filialet tona shet produktet tona, mund të jepet një garanci vetëm nga ai filial. Një garanci e tillë jepet vetëm nëse filiali ka dorëzuar kushtet individuale të garancisë. Përveç këtij rasti, nuk jepet garanci.

Për pajisjet që blihen në vende ku asnjë nga filialet tona nuk shet asnjë produkt tonin, ne nuk japim garanci. Garancitë e mundshme të siguruara nga importuesi mbeten këtu të paprekura.

Mjedisi dhe riciklimi

Ju lutemi, ndihmoni për të mbrojtur mjedisin. Hidhni materiallet pas përdorimit sipas rregulloreve kombëtare.

ПОСЕБНИ СОВЕТИ

РАКУВАЊЕ

1. Општи совети	97
1.1 Безбедносни совети	97
1.2 Другите ознаки во оваа документација	98
1.3 Мерни единици	98
2. Безбедност	98
2.1 Прописна примена	98
2.2 Општи безбедносни совети	98
2.3 Ознака за испитување	98
3. Опис на уредот	98
4. Поставки	99
4.1 Препорака за нагодување	99
5. Чистење, нега и одржување	99
6. Отстранување проблеми	99

ИНСТАЛАЦИЈА

7. Безбедност	100
7.1 Општи безбедносни совети	100
7.2 Туширање	100
7.3 Прописи, стандарди и одредби	100
8. Опис на уредот	100
8.1 Опсег на испорака	100
9. Подготовки	100
9.1 Место на монтажа	100
9.2 Водоводна инсталација	101
10. Монтажа	101
10.1 Стандардна монтажа	101
10.2 Алтернативна монтажа	104
10.3 Завршување на монтажата	106
11. Пуштање во работа	106
11.1 Прво пуштање во работа	106
11.2 Повторно пуштање во работа	107
12. Исклучување од работа	107
13. Отстранување пречки	107
14. Одржување	108
15. Технички податоци	108
15.1 Димензии и приклучоци	108
15.2 Шематски дијаграм	109
15.3 Капацитет на топла вода	109
15.4 Подрачје на примена / Табела за конверзија	109
15.5 Загуби на притисок	109
15.6 Услови на пречки	109
15.7 Податоци за потрошувачката на енергија	110
15.8 Табела со податоци	110

ГАРАНЦИЈА

ЖИВОТНА СРЕДИНА И РЕЦИКЛИРАЊЕ

ПОСЕБНИ СОВЕТИ

- Децата над 3 години, како и лицата со ограничени телесни, сетилни или ментални способности или без доволно искуство и знаење може да го користат уредот под надзор или доколку бидат упатени во безбедното ракување и ги разбираат опасностите коишто произлегуваат оттаму. Децата не смеат да си играат со апаратот. Децата не смеат да го чистат или да спроведуваат корисничко одржување без надзор.
- Арматурата може да се загрее до температура од 60 °C. При истечни температури поголеми од 43 °C постои опасност од попарување.
- Уредот е погоден за снабдување туш (туширање). Ако уредот се користи и за или исклучиво за туширање, стручен техничар мора да го активира подрачјето за дефинирање на температурата над ограничувањето на температурата (Tred = 55 °C) во уредот. При користење претходно загреана вода не смее да се надмине приливна температура од 55 °C.
- Уредот мора да може да се одвојува од мрежниот приклучок преку разделна патека од минимум 3 mm, во сите полови.
- Наведениот напон мора да одговара на напонот на мрежата.
- Уредот мора да се приклучи на заштитен вод.
- Уредот мора постојано да биде приклучен на фиксно ожичување.
- Прицврстете го уредот како што е опишано во поглавјето „Инсталација / Монтажа“.

- Придржувајте се кон максималниот дозволен притисок (види поглавја „Инсталација / Технички податоци / Табела со податоци“).
- Специфичниот отпор на водата на мрежата за водоснабдување не смее да биде под минималното ниво (види поглавја „Инсталација / Технички податоци / Табела со податоци“).
- Испразнете го уредот како што е опишано во поглавјето „Инсталација / Одржување / Празнење на уредот“.

РАКУВАЊЕ

1. Општи совети

Поглавјата „Посебни совети“ и „Ракување“ се однесуваат на корисникот и на специјализираниот техничар.

Поглавјето „Инсталација“ се однесува на специјализираниот техничар.



Напомена

Внимателно прочитајте го ова упатство пред ракувањето и чувајте го.

Предадете го упатството ако е потребно на следниот корисник.

1.1 Безбедносни совети

1.1.1 Состав на безбедносните совети



СИГНАЛЕН ЗБОР вид опасност

Тука стојат можните последици од непочитување на безбедносниот совет.

► Тука стојат мерките за одбрана од опасноста.

1.1.2 Символи, вид опасност

Симбол	Вид опасност
	Повреда
	Струен удар
	Горење (горење, попарување)

1.1.3 Сигнални зборови

СИГНАЛЕН ЗБОР	Значење
ОПАСНОСТ	Совети, чиешто непочитување ќе доведе до тешки повреди или смрт.
ПРЕДУПРЕДУВАЊЕ	Совети, чиешто непочитување може да доведе до тешки повреди или смрт.
ВНИМАНИЕ	Совети, чиешто непочитување може да доведе до средни или лесни повреди.

1.2 Другите ознаки во оваа документација



Напомена

Општите совети се означени со симболот којшто стои отстрана.

► Внимателно прочитајте ги советите.

Симбол	Значење
	Материјална штета (Оштетување на уредите, консеквентна штета, загрозување на животната средина)
	Отстранување на уредите

► Овој симбол кажува дека треба нешто да направите. Потребните дејства ќе бидат опишани чекор по чекор.

1.3 Мерни единици



Напомена

Ако не е поинаку наведено, сите мерки се во милиметри.

2. Безбедност

2.1 Прописна примена

Уредот под притисок служи за загревање вода за пиење или за дополнително загревање претходно загреана вода. Уредот може да снабдува едно или повеќе места за пуштање.

Уредот е предвиден за домашна примена. Со него не можат безбедно да ракуваат лицата коишто не се упатени. Уредот може да се примени и надвор од домаќинството, на пр. во мали компании, доколку се користи на истиот начин.

Поинаква примена или примена која го надминува наведеното важи за непрописна. Кон соодветна употреба припаѓа и придржувањето кон ова упатство како и упатствата за поставениот прибор.

2.2 Општи безбедносни совети



ВНИМАНИЕ горење

Арматурата може да се загрее до температура од 60 °C. При истечни температури поголеми од 43 °C постои опасност од попарување.



ВНИМАНИЕ горење

При работа со претходно загреана вода, на пр. соларен систем, температурата на топлата вода може да се разликува од саканата температура.



ПРЕДУПРЕДУВАЊЕ повреда

Децата над 3 години, како и лицата со ограничени телесни, сетилни или ментални способности или без доволно искуство и знаење може да го користат уредот под надзор или доколку бидат упатени во безбедното ракување и ги разбираат опасностите коишто произлегуваат оттаму. Децата не смеат да си играат со апаратот. Децата не смеат да го чистат или да спроведуваат корисничко одржување без надзор.

Ако уредот го користат деца или лица со ограничени телесни, сетилни или ментални способности, препорачуваме постојано ограничување на температурата. Ограничувањето може да ви го постави специјализиран техничар.



Материјална штета

Корисникот треба да ги заштити уредот и арматурата од мраз.

2.3 Ознака за испитување

Види плочка со ознаки на уредот.

3. Опис на уредот

Електронски регулираниот проточен бојлер со автоматско регулирање на капацитетот ја држи истечната температура константна до граничната моќност. Потоа, температурата се бира преку арматурата за пуштање.

Греен систем

Системот за греење со гола жица има пластична обвивка, отпорна на притисок. Системот за греење е наменет за мека и тврда вода и во голема мера е нечувствителен на калцификација. Системот за греење се грижи за брзо и ефикасно снабдување со топла вода.



Напомена

Овој уред е опремен со препознавање на воздухот, кое во голема мерка го спречува оштетувањето на грејниот систем. Доколку во текот на работата во уредот навлезе воздух, тој го исклучува греењето на една минута и на тој начин го штити грејниот систем.

4. Поставки

Истечната температура на топлата вода можете континуирано да ја регулирате. Се прикажува избраната температура. Кај температури преку 43 °C бојата на индикаторот се менува од сина во црвена за да покаже опасност од парување.



► Завртете го копчето на саканата температура.



Напомена

Доколку при целосно отворен вентил и максимално поставена температура не се постигнува доволна истечна температура, тоа значи дека низ уредот тече повеќе вода отколку што грејниот систем може да загрее (уредот е на граничната моќност).

► Намалете ја количината на водата на вентилот за пуштање.

4.1 Препорака за нагодување

Термостатска арматура

Проточниот бојлер обезбедува макс. точност и макс. удобност на понудата на топла вода. Доколку сепак го користите уредот со термостатска арматура, препорачуваме:

► Поставете ја зададената температура на уредот поголема од 50 °C. Потоа, саканата зададена температура ќе си ја регулирате на термостатската арматура.

По прекин во снабдувањето со вода



Материјална штета

За да не дојде до уништување на системот за греење со голи жици по прекин во снабдувањето со вода, уредот мора повторно да се пушти во работа со следните чекори.

- Исклучете го напонот со исклучување на осигурувачите.
- Отворете го вентилот една минута, додека уредот и претходно вклучениот довод на ладна вода не го испуштат воздухот.
- Повторно вклучете го мрежниот напон.

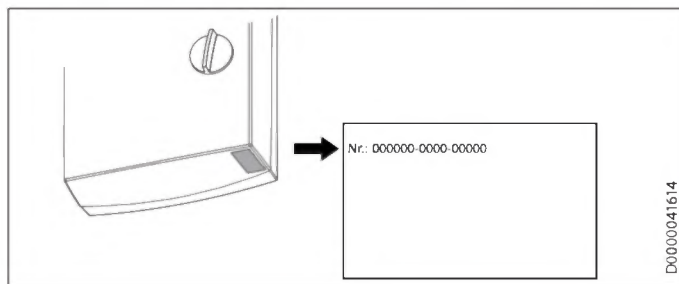
5. Чистење, нега и одржување

- Не користете абразивни средства за чистење или растворувачи. За нега и чистење на уредот доволна е влажна крпа.
- Редовно проверувајте ги арматурите. Бигорот на арматурните испусти можете да го отстраните со вообичаени средства за отстранување бигор.

6. Отстранување проблеми

Проблем	Причина	Отстранување
И покрај целосно отворениот вентил за топла вода уредот не се вклучува.	Нема напон.	Проверете ги осигурувачите во домашната инсталација.
	Премал проток. Регулаторот на млазот во арматурата или главата на тушот се затнати од бигор или нечистотии.	Исчистете и / или отстранете го бигорот од регулаторот на млазот или главата на тушот.
Не се достигнува саканата температура > 45 °C.	Водоснабдувањето е прекинато.	Испуштете го воздухот од уредот и од доводот на студена вода (види поглавје „Поставки“).
	Приливната температура на студената вода е > 45 °C.	Намалете ја приливната температура на студената вода.

Доколку не можете да ја отстраните причината, повикајте стручен техничар. За подобра и побрза помош, соопштете му го бројот од плочката со ознаки (000000-0000-00000).



ИНСТАЛАЦИЈА

7. Безбедност

Инсталацијата, првото пуштање во работа на овој уред како и одржувањето и поправките смее да ги изведува само специјализиран техничар.

7.1 Општи безбедносни совети

Гарантираме беспрекорно функционирање и работна безбедност само ако за уредот се користат соодветниот оригинален прибор и оригиналните резервни делови.

Проточен притисок

Доколку проточната количина за вклучување на уредот не се постигнува и при целосно отворена арматура, демонтирајте го ограничувачот на проточна количина и заменете го со испорачаната пластична плоча.

По потреба можете и да го зголемите притисокот во водоводната инсталација.



Напомена

За правилно функционирање на термостатската арматура, тука не смеете да го заменуваат ограничувачот на проточната количина со пластична плоча.



Материјална штета

Придржувајте се кон максималната приливна температура. При повисоки температури може да се оштети уредот. Со вградување централна термостатска арматура можете да ја ограничите максималната приливна температура.



ПРЕДУПРЕДУВАЊЕ струен удар

Овој уред содржи кондензатори коишто се празнат по одвојувањето од струјната мрежа. Напонот на празнење на кондензаторите може во даден случај да изнесува краткотрајно >60 V DC.

7.2 Туширање



ВНИМАНИЕ горење

► При снабдување туш поставете го интерното ограничување на температурата на „Tred“, види поглавје „Алтернативна монтажа /Ограничување на температурата“.



ВНИМАНИЕ горење

При снабдување на уредот со претходно загреана вода, внимавајте на следното:
Во даден случај може да се пречекори интерно регулираното ограничување на температурата.
► Ограничете ја температурата со претходно вклучена централна термостатска арматура.

7.3 Прописи, стандарди и одредби



Напомена

Придржувајте се кон сите национални и регионални прописи и одредби.

- Видот заштита IP 25 (заштита од вода во млаз) е гарантирана само со прописно монтиран ракавец на кабелот.
- Специфичниот електричен отпор на водата не смее да биде помал од оној, наведен на плочката со ознаки. Кај поврзана водоводна мрежа треба да се запази минималниот електричен отпор на водата (види поглавја „Технички податоци / Подрачја на примена / Табела за конверзија“). Специфичниот електричен отпор на водата или електричната спроводливост на водата ќе ги дознаете во претпријатието за водоснабдување.

8. Опис на уредот

8.1 Опсег на испорака

Со уредот се испорачуваат:

- Додаток за закачување на сид
- навоен клин, за закачување на сид
- шаблон за монтажа
- 2 дупли нипли (студена вода со затворачки вентил)
- рамни дихтунзи
- кабелски ракавец (електричен довод горе / долу)
- завртки / типли за прицврстување на задниот сид, при приклучување на водата на завршен сид

За замена на уреди:

- 2 продолжетоци

9. Подготовки

9.1 Место на монтажа



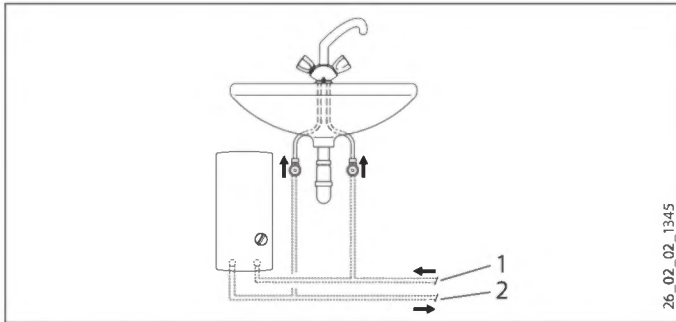
Материјална штета

Уредот смее да се инсталира само во просторија, во која нема опасност од мраз.

- Монтирајте го уредот вертикално и во близина на местото на пуштање.

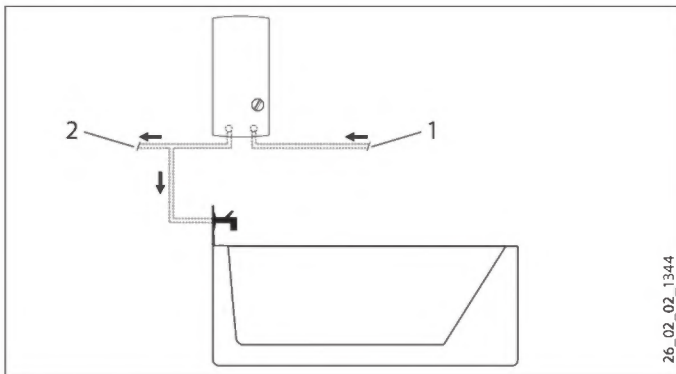
Уредот е погоден за висока и ниска монтажа.

Ниско-монтажно



- 1 Прилив на студена вода
2 Испуст на топла вода

Високо-монтажно



- 1 Прилив на студена вода
2 Испуст на топла вода



Напомена

- ▶ Монтирајте го уредот на сидот. Сидот мора да има доволна носивост.

9.2 Водоводна инсталација

- Не е потребен безбедносен вентил.
- Во цевките за топла вода не се дозволени безбедносни вентили.
- ▶ Добро исперете го водоводот.
- ▶ Проверете дали е постигнат протокот (види поглавја „Технички податоци / Табела со податоци“) за вклучување на уредот. Ако не се постигне протокот, извадете го ограничувачот на протокот (види поглавје „Монтажа / Вадење на ограничувачот на протокот“).
- ▶ Ако протокот не се постигне при целосно отворен вентил, зголемете го притисокот во водоводот.

Арматури

Користете соодветни притисочни арматури. Отворени арматури не се дозволени.



Напомена

- Затворачкиот вентил во доводот за студена вода не смеете да го користите за придушвање на протокот. Служи за затворање на уредот.

Дозволени материјали на цевките за вода

- Довод на ладна вода: топлоцинкувана челична цевка, цевка од облагороден челик, бакарна цевка или цевка од пластика
- Испуст на топла вода: цевка од облагороден челик, бакарна цевка или пластична цевка



Материјална штета

При примена на пластични цевни системи придружувајте се кон максималната приливна температура и максимално дозволениот притисок (види поглавја „Технички податоци / Табела со податоци“).

Флексибилни водови за приклучување на водата

- ▶ При инсталација со флексибилни водови за приклучување на водата спречете го извртувањето на колената на цевките со помош на бајонетни врски.
- ▶ Прицврстете го задниот сид долу со две дополнителни завртки.

10. Монтажа

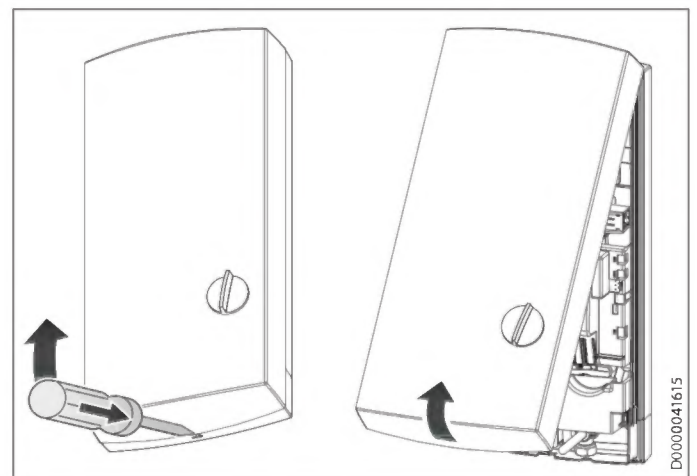
10.1 Стандардна монтажа

- Приклучување на струја горе, монтажа во сид
- Приклучување на вода, монтажа во сид
- PEO 18/21/24: однапред поставена средна приклучна моќност

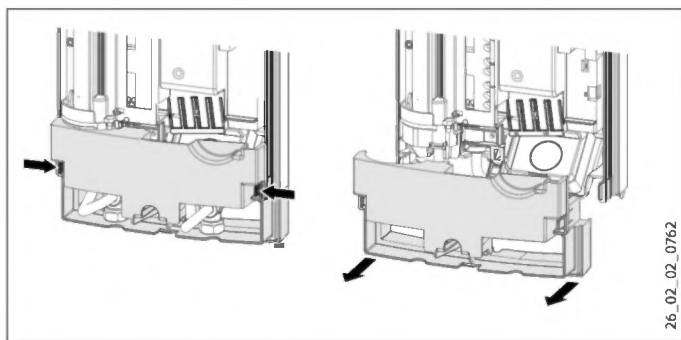
За други можности за монтажа види поглавје „Алтернативна монтажа“:

- Приклучување струја со монтажа во сид - долу
- Приклучување струја на завршен сид
- Приклучување релеј за отфрлање товар
- Водоводна инсталација на завршен сид
- Приклучување вода во сид, при замена на уред
- Работа со претходно загреана вода
- Ограничување на температурата

Отворање на уредот



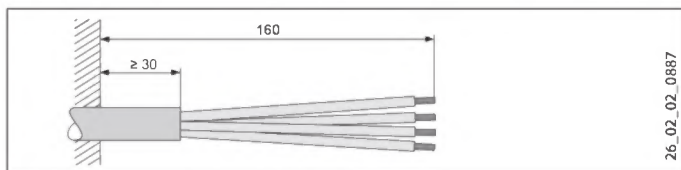
- ▶ Отворете го уредот, така што ќе го отклучите резето.



26_02_02_0762

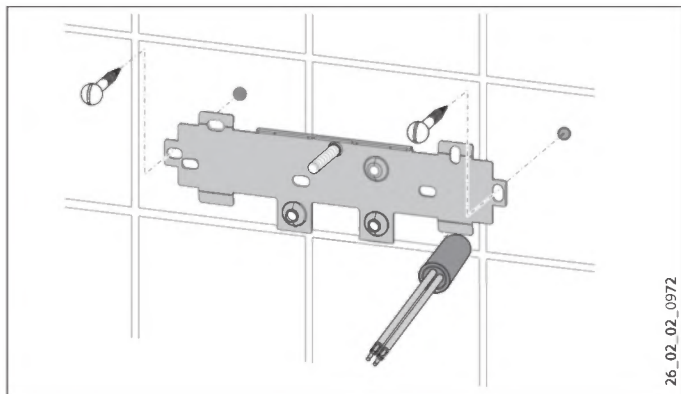
- ▶ Одвојте го задниот сид, така што ќе ги притиснете двете куки и ќе го повлечете долниот дел на задниот сид напред.

Подготовка на кабелот за приклучување на струја



26_02_02_0887

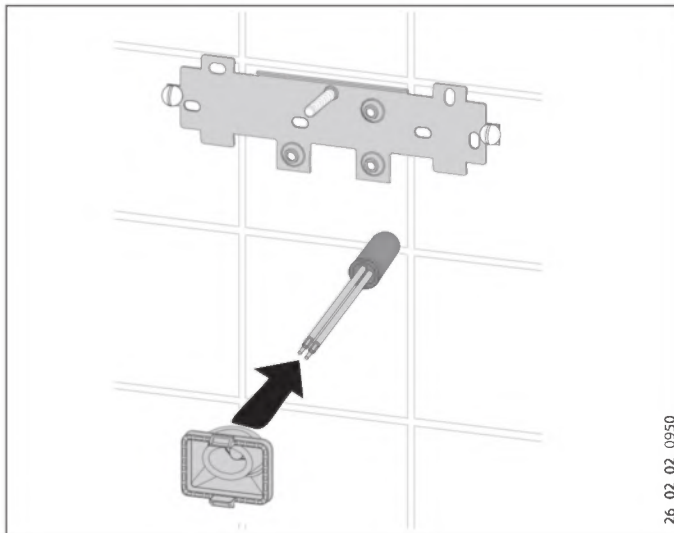
Монтажа на сидниот држач



26_02_02_0972

- ▶ Исцртајте ги дупките со помош на монтажниот шаблон. При монтажа со приклучоци за вода на завршен сид, дополнително мора да ги исцртате и дупките за прицврстување во долниот дел од шаблонот.
- ▶ Направете ги дупките и прицврстете го сидниот држач со 2 завртки и 2 типли (завртките и типлите не се испорачани).
- ▶ Монтирајте го приложениот навоен клин.
- ▶ Монтирајте го сидниот држач.

Монтажа на кабелскиот ракавец



26_02_02_0950

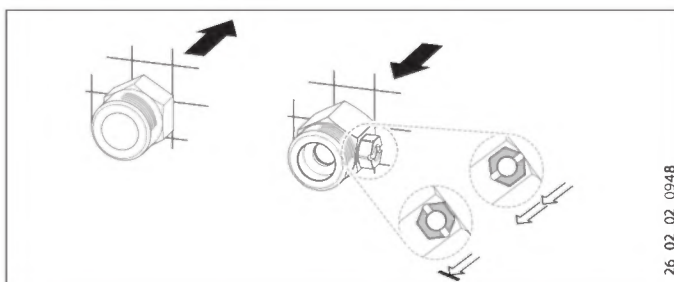
- ▶ Монтирајте го кабелскиот ракавец. Ако приклучниот кабел е $> 6 \text{ mm}^2$, мора да ја зголемите дупката во ракавецот.

Приклучување вода



Материјална штета

Изведете ги сите работи за приклучување вода и монтирање според прописот.



26_02_02_0948

- ▶ Задихтувајте ја и зашрафете ја дуплата нипла.



Материјална штета

Затворачкиот вентил во доводот за студена вода не смеете да го користите за придрушување на протокот.

ИНСТАЛАЦИЈА

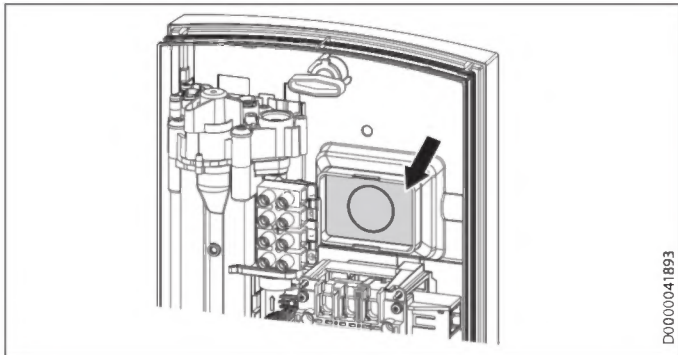
Монтажа

Подготвување на задниот сид



Материјална штета

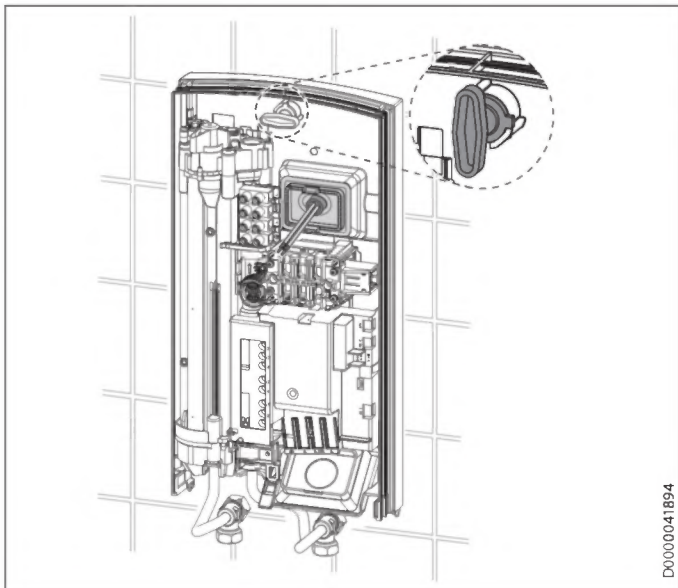
Доколку по грешка сте пробиле погрешна дупка за кабелскиот ракавец, ќе мора да употребите нов заден сид.



D0000041893

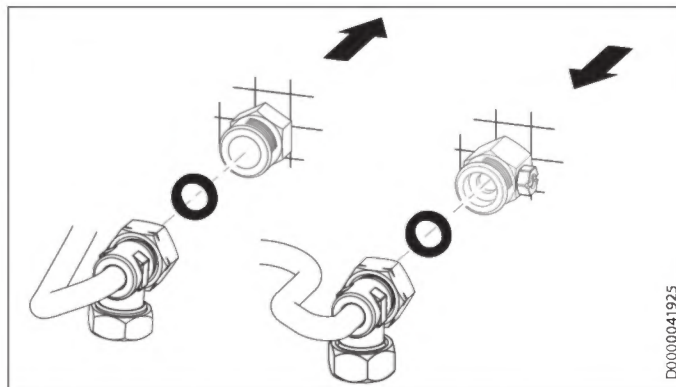
- ▶ Прецизно пробирте го местото за кабелскиот ракавец. Израмнете ги острите рабови со турпија.

Монтажа на уредот



D0000041894

- ▶ Вклопете го задниот сид преку навојниот клин и кабелскиот ракавец. Повлечете го ракавецот со помош на клешти за куќите за прицврстување во задниот сид, додека не слушнете вклопување на двете куќи.
- ▶ Извадете ги заштитните транспортни затки од приклучоците за вода.
- ▶ Цврсто притиснете го задниот сид и заклучете ја полу-гата за прицврстување со вртење во десно за 90°.



D0000041925

- ▶ Зашрафете ги приклучните цевки за вода со рамни дихтунзи на дуплите нипли.



Материјална штета

За функционирање на уредот, ситото мора секогаш да е вградено.

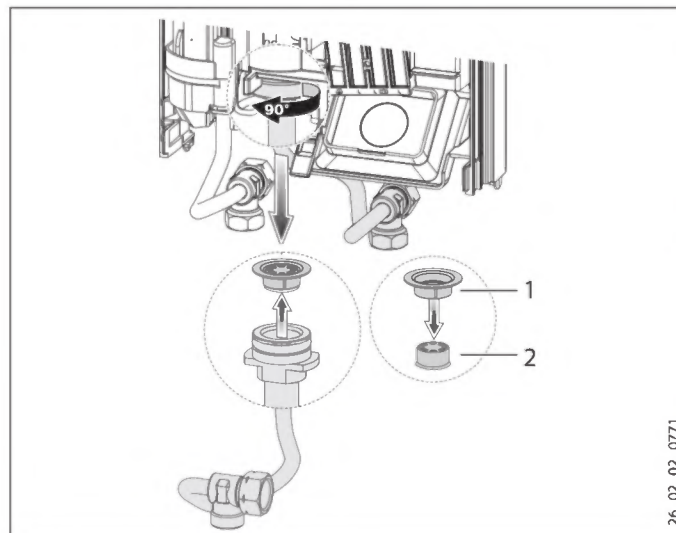
- ▶ При замена на уредот проверете дали ситото е на место (види поглавје „Одржување“).

Вадење на ограничувачот на протокот



Материјална штета

Во комбинација со термостатска арматура, ограничувачот на протокот не смее да се вади.



26_02_02_0771

- 1 Пластична плоча
 - 2 Ограничувач на протокот
- ▶ Извадете го ограничувачот на протокот и повторно ставете ја пластичната плоча.

МАКЕДОНСКИ

Воспоставување на приклучување на струја



ПРЕДУПРЕДУВАЊЕ струен удар
Изведете ги електриката и инсталацијата по пропис.



ПРЕДУПРЕДУВАЊЕ струен удар
Приклучувањето на струја е дозволено само како фиксен приклучок во врска со кабелскиот ракавец што се вади. Уредот мора да може да се одвојува од мрежниот приклучок преку разделна патека од минимум 3 mm, во сите полови.



ПРЕДУПРЕДУВАЊЕ струен удар
Внимавајте на тоа, уредот да биде приклучен на кабел за заземјување.

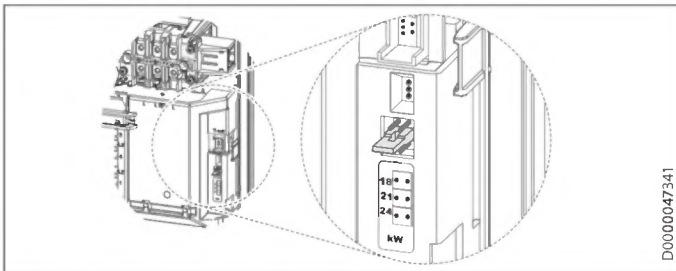


Материјална штета
Придржувајте се кон податоците од плочката со ознаки. Наведениот напон мора да одговара на напонот на мрежата.

- ▶ Приклучете го кабелот на клемата за приклучување на струја (види поглавја „Технички податоци / Шематски дијаграм“).

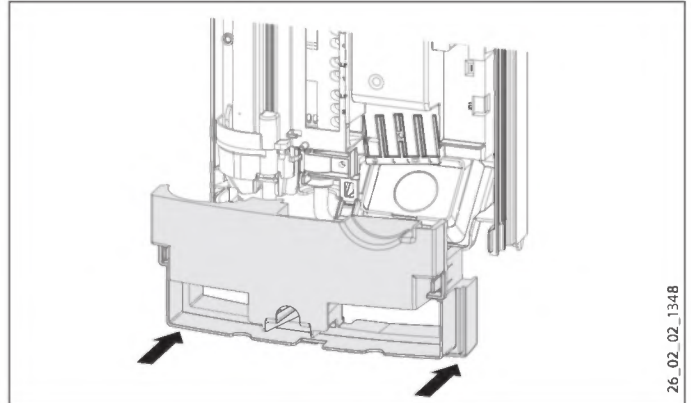
PEO 18/21/24: Префрлете го кодниот приклучник

При испорака, уредот е вклучен на 21 kW. За префрлување на друга приклучна моќност, мора да ги преземете следните чекори:



- ▶ Префрлете го кодниот приклучник во согласност со избраната приклучна моќност (види изборна приклучна моќност и осигурување на уредот во поглавје „Технички податоци / Табела со податоци“).
- ▶ Означете ја избраната приклучна моќност на плочката со ознаки. Користете пенкало.

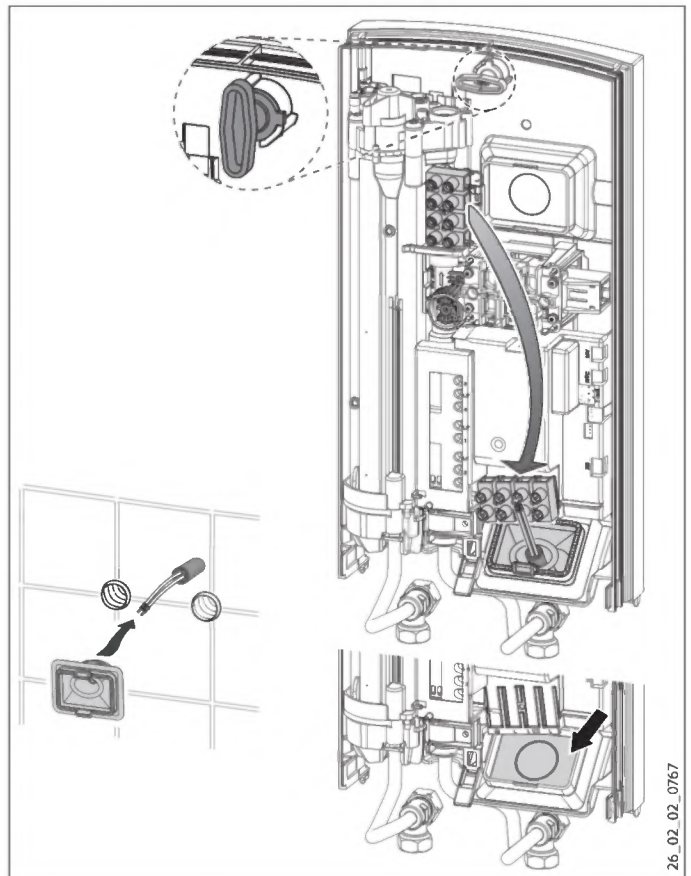
Монтажа на долниот дел од задниот сид



- ▶ Монтирајте го долниот дел во задниот сид и прицврстете го.
- ▶ Наместете го монтираниот уред, така што ќе ја ослободите полугата за прицврстување, ќе ги порамните приклучувањето на струја и задниот сид и повторно ќе ја прицврстите полугата. Доколку задниот сид од уредот не лежи рамно, уредот треба да го прицврстите со две дополнителни завртки во долниот дел.

10.2 Алтернативна монтажа

10.2.1 Приклучување струја со монтажа во сид - долу



- ▶ Монтирајте го кабелскиот ракавец.



Материјална штета

Доколку по грешка сте пробиле погрешна дупка за кабелскиот ракавец, ќе мора да употребите нов заден сид.

- ▶ Прецизно пробијте го местото за кабелскиот ракавец. Израмнете ги острите рабови со турпија.
- ▶ Поместете ја клемата за приклучување на струја во уредот од горе надолу.
- ▶ Вклопете го задниот сид преку навојниот клин и кабелскиот ракавец. Повлечете го ракавецот со помош на клешти за куките за прицврстување во задниот сид, додека не слушнете вклопување на двете куки.
- ▶ Цврсто притиснете го задниот сид и заклучете ја полу-гата за прицврстување со вртење во десно за 90°.

10.2.2 Приклучување струја на завршен сид



Напомена

Со овој вид приклучување се менува видот на заштита на уредот.

- ▶ Променете ја плочката со ознаки. Пречкртајте ја ознаката IP 25 и означете го полето IP 24. Користете пенкало.



Материјална штета

Доколку по грешка сте пробиле погрешна дупка за кабелскиот ракавец, ќе мора да употребите нов заден сид.

- ▶ Исечете или пробијте чист отвор за спроведување во задниот сид (за позиции види поглавја „Технички податоци / Димензии и приклучоци“). Израмнете ги острите рабови со турпија.
- ▶ Спроведете го кабелот низ ракавецот и приклучете го на клемата за приклучување на мрежа.

10.2.3 Приклучување релеј за отфрлање товар

Во разводната табла вградете релеј за отфрлање товар во комбинација со други електрични уреди, на пр., со електрични уреди за греење со резервоар. Отфрлањето товар следува при активирање на проточниот бојлер.



Материјална штета

Приклучете ја фазата, која го вклучува релејот за отфрлање товар, на означената клема од клемата за приклучување на струја во уредот (види поглавја „Технички податоци / Шематски дијаграм“).

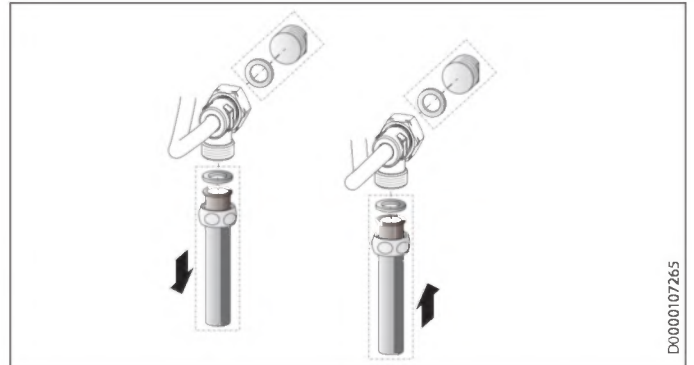
10.2.4 Водоводна инсталација на завршен сид



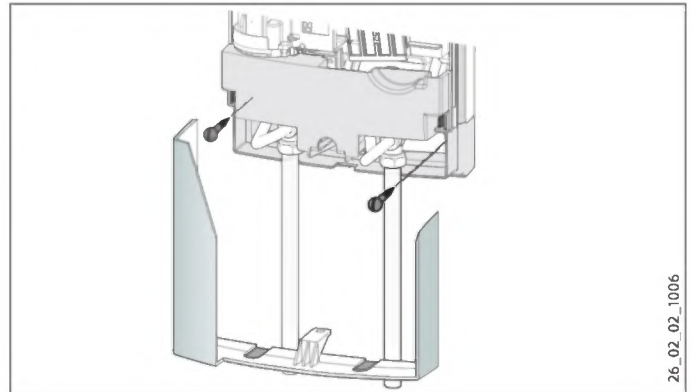
Напомена

Со овој вид приклучување се менува видот на заштита на уредот.

- ▶ Променете ја плочката со ознаки. Пречкртајте ја ознаката IP 25 и означете го полето IP 24. Користете пенкало.



- ▶ Монтирајте ги затките за вода со дихтунзи за да го затворите приклучокот во сидот.
- ▶ Монтирајте соодветна притисочна арматура.



- ▶ Прицврстете го задниот сид долу со две дополнителни завртки.
- ▶ Навлечете го долниот дел од задниот сид под приклучните цевки од арматурата и вклопете го.
- ▶ Зашрафете ги приклучните цевки со уредот.



Материјална штета

Доколку по грешка пробите погрешна дупка во капата на уредот, ќе мора да употребите нова капа на уредот.

- ▶ Прецизно искршете ги отворите за спроведување во капата на уредот. Израмнете ги острите рабови со турпија.

ИНСТАЛАЦИЈА

Пуштање во работа

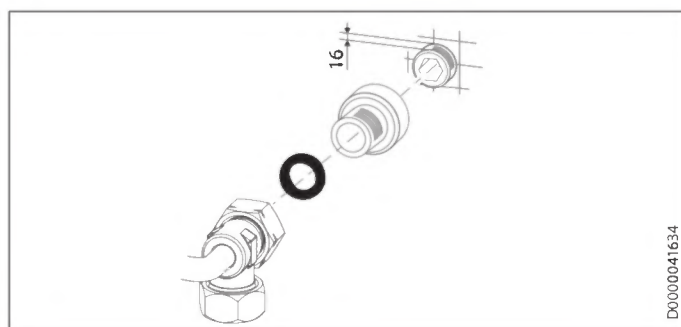
10.2.5 Водоводна инсталација во сид, при замена на уред

Ако постоечките дупли нипли на стариот уред стрчат само околу 16 mm од сидот, не можете да ги користите испорачаните дупли нипли.



Напомена

Кај ова приклучување затворањето на доводот за студена вода е можно само во домашната инсталација.

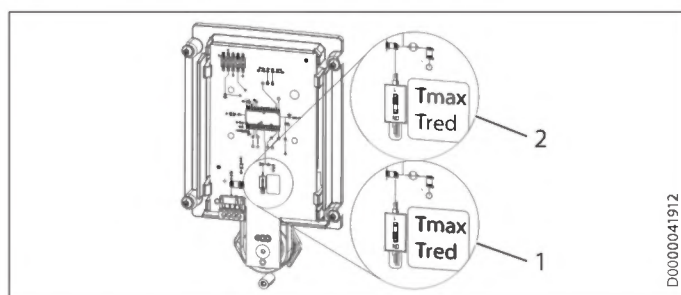


- ▶ Задихтувајте ги и зашрафете ги приложените продолжетоци.
- ▶ Приклучете го уредот.

10.2.6 Работа со претходно загреана вода

Со вградување на централна термостатска арматура се ограничува максималната приливна температура.

10.2.7 Ограничување на температурата



- 1 Позиција „Tred“ (55 °C): Ограничување на температурата
- 2 Позиција „Tmax“: без ограничување на температурата, за подрачје за дефинирање на температурата погледнете го поглавјето „Технички податоци / Табела со податоци“.

- ▶ Симнете ја капата на уредот.
- ▶ Турнете го прекинувачот на саканата положба.
- ▶ Монтирајте ја капата на уредот.



ВНИМАНИЕ горење

При работа со претходно загреана вода, поставеното ограничување на температурата може да не делува.

- ▶ Во тој случај, ограничете ја температурата на претходно вклучената централна термостатска арматура.

10.3 Завршување на монтажата

- ▶ Отворете го затворачкиот вентил во дуплата нипла или во доводот на студена вода.

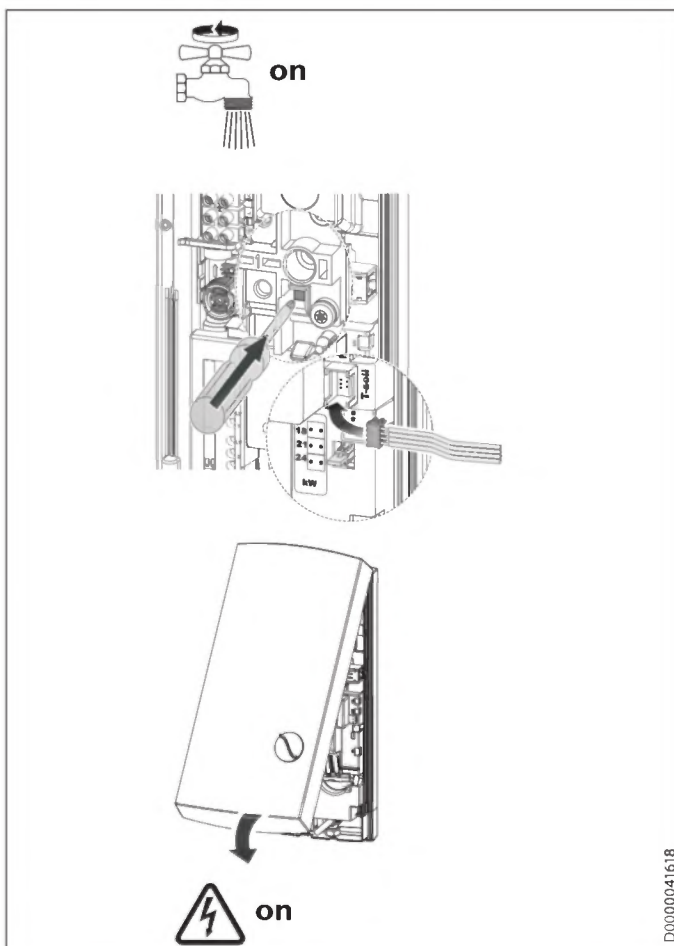
11. Пуштање во работа



ПРЕДУПРЕДУВАЊЕ струен удар

Пуштањето во работа смее да го изведува само специјализиран техничар, придржувајќи се кон безбедносните прописи.

11.1 Прво пуштање во работа



- ▶ Отворајте и затворајте ги повеќепати сите приклучени вентили за пуштање вода, сè додека од доводната мрежа и уредот не се испушти сиот воздух.
- ▶ Проверете го дихтувањето.
- ▶ Активирајте го безбедносниот ограничувач на притисокот, така што силно ќе го притиснете тастерот за враќање во првобитна положба (уредот се испорачува со дезактивиран безбедносен ограничувач на притисок).
- ▶ Вметнете го приклучникот на кабелот од уредот за регулација на температурата во електрониката.
- ▶ Монтирајте ја капата на уредот. Треба да слушнете дека се вклопила. Проверете дали капата на уредот лежи правилно.
- ▶ Вклучете го мрежното напојување.
- ▶ Проверете го режимот на работа на уредот.

Предавање на уредот

- Објаснете му ја на корисникот функцијата на уредот и запознајте го со користењето на уредот.
- Упатете го на можните опасности, посебно на опасноста од попарување.
- Предајте го ова упатство.

11.2 Повторно пуштање во работа

Испуштете го воздухот од уредот и од доводот на студена вода (види поглавје „Поставки“).

Види поглавје „Прво пуштање во работа“.

12. Исклучување од работа

- Одвојте го уредот од мрежниот приклучок во сите полови.
- Испразнете го уредот (види поглавје „Одржување“).

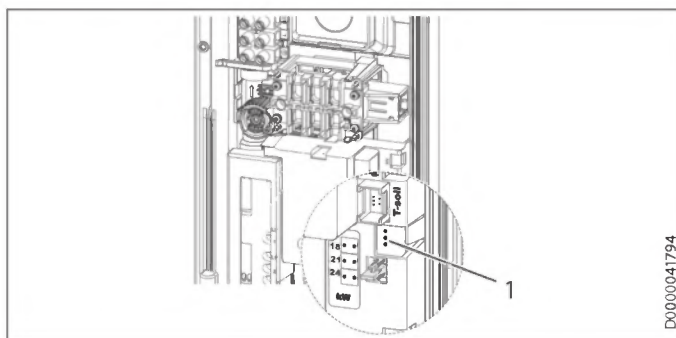
13. Отстранување пречки



ПРЕДУПРЕДУВАЊЕ струен удар
За да можете да го проверите уредот, тој мора да биде под напон.

Можности за прикажување на дијагностичка светечка диода (LED)

●	црвено	свети при пречка
●	жолто	свети при греење
○	зелено	трепка: уред на мрежниот приклучок



1 Дијагностичка сијалица

Пречка / приказ на дијагностичка светечка диода	Причина	Отстранување
Премал проток.	Ситото во уредот е валкано.	Исчистете го ситото.
Не се постигнува зададената температура.	Нема една фаза.	Проверете го осигурувачот во домашната инсталација.
Греењето не се вклучува.	Воздух се препознава во водата и на кратко го исклучува греењето.	По една минута уредот продолжува да работи.
Нема топла вода и нема приказ на индикаторот.	Избил осигурувач.	Проверете го осигурувачот во домашната инсталација.
	Се активирал безбедносниот ограничувач на притисокот AP 3.	Отстранете ја причината за грешката (на пр. дефектен вентил за испирање). Заштитете го грејниот систем од прегревавање, така што една минута ќе го отворите вентилот, приклучен веднаш по уредот. Со тоа, грејниот систем се ослободува од притисокот и се лади. Активирајте го безбедносниот ограничувач на притисокот при проточен притисок, така што ќе го притиснете тастерот за враќање во првобитна положба (види поглавје „Прво пуштање во работа“).
Дефект на електрониката.	Дефект на електрониката.	Проверете ја електрониката и заменете ја по потреба.
Приказ на семафорот: зеленото трепка или свети постојано	Дефект на електрониката.	Проверете ја електрониката и заменете ја по потреба.
Нема топла вода при проток > 2,5 l/min.	Регистрирањето на протокот DFE не е вметнато.	Повторно вметнете го приклучникот од уредот за регистрирање на протокот.
	Дефект на препознавањето проток DFE.	Проверете го регистрирањето на протокот и, по потреба, заменете го уредот за регистрирање проток.
Приказ на семафорот: жолта свети постојано, зелена трепка	Безбедносниот ограничувач на температурата се активирал или е прекинат.	Проверете го безбедносниот ограничувач на температурата и заменете го по потреба.
Нема топла вода, а протокот > 3 l/min.	Дефект на грејниот систем.	Измерете го отпорот на грејниот систем и, по потреба, заменете го отпорникот.
	Дефект на електрониката.	Проверете ја електрониката и заменете ја по потреба.
Приказ на семафорот: жолта свети постојано, зелена трепка	Истечниот сензор е откачен или постои прекин на кабел.	Вметнете го истечниот сензор и заменете го по потреба.
Приказ на семафорот: црвена свети постојано, зелена трепка	Дефект на сензорот за студена вода.	Проверете ја електрониката и заменете ја по потреба.
Нема топла вода Не се достигнува саканата температура > 45 °C.	Приливната температура на студената вода е повисока од 45 °C.	Намалете ја приливната температура на студената вода во уредот.
Приказ на семафорот: црвена свети постојано, зелена трепка	Дефект на истечниот сензор (краток спој).	Проверете го истечниот сензор и заменете го по потреба.

14. Одржување



ПРЕДУПРЕДУВАЊЕ струен удар
При секакви активности на уредот, одвојте го од мрежниот приклучок во сите полови.

Празнење на уредот

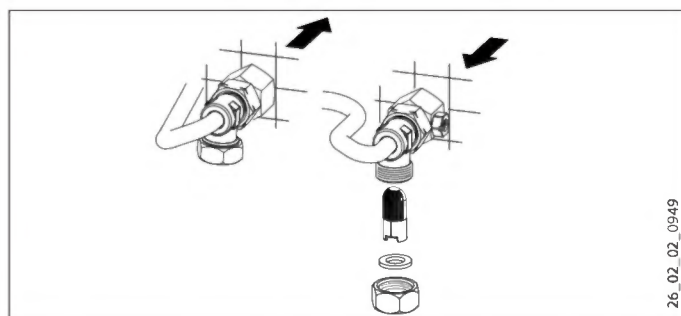
Заради изведување на активности на одржување можете да го испразните уредот.



ПРЕДУПРЕДУВАЊЕ горење
При празнење на уредот може да истече жешка вода.

- ▶ Затворете го затворачкиот вентил во дуплата нипла или во доводот на студена вода.
- ▶ Отворете ги сите вентили за пуштање вода.
- ▶ Одвртете ги приклучоците за вода на уредот.
- ▶ Чувајте го демонтираниот уред заштитен од мраз, бидејќи во него има преостаната вода која може да замрзне и да предизвика оштетувања.

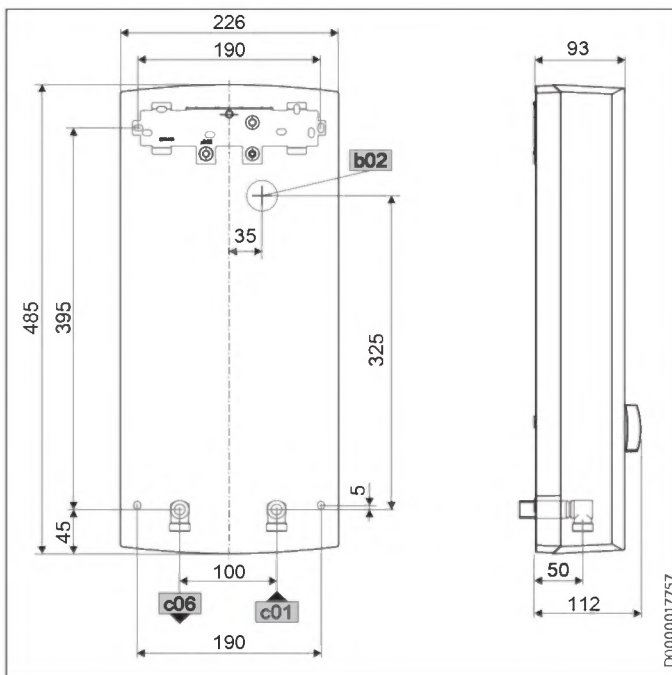
Чистење сито



Доколку има нечистотии, исчистете го ситото во навојниот приклучок за студена вода. Пред да го демонтирате, чистите и монтирајте, затворете го затворачкиот вентил во доводот на студена вода.

15. Технички податоци

15.1 Димензии и приклучоци

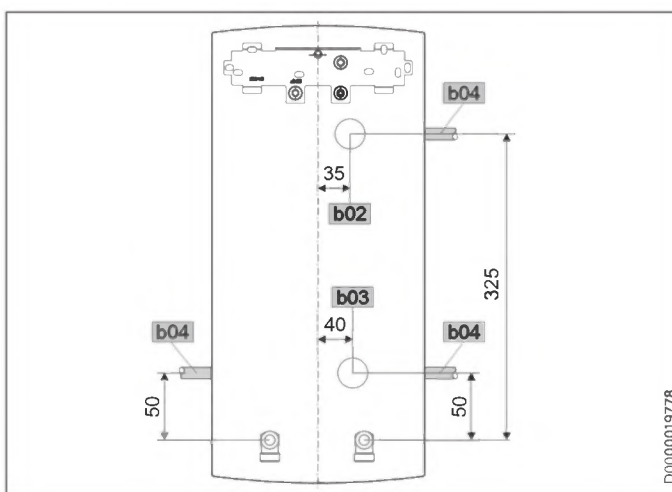


b02 Спроведување на електричните водови I

c01 Прилив на студена вода Надворешен навој G 1/2 A

c06 Испуст на топла вода Надворешен навој G 1/2 A

Алтернативни можности за приклучување



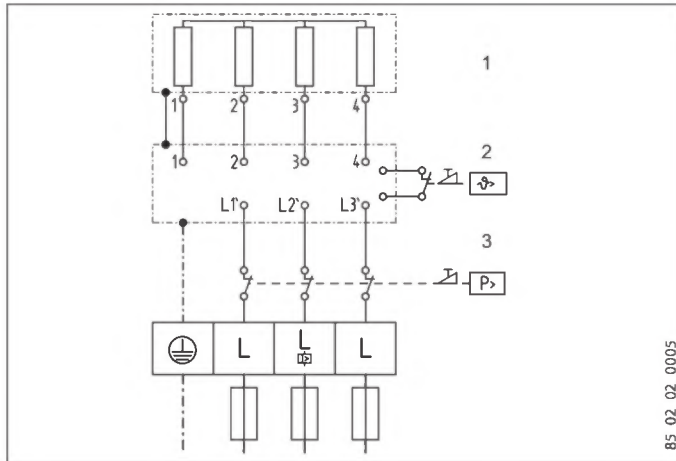
b02 Спроведување на електричните водови I

b03 Спроведување на електричните водови II

b04 Спроведување на електричните водови III

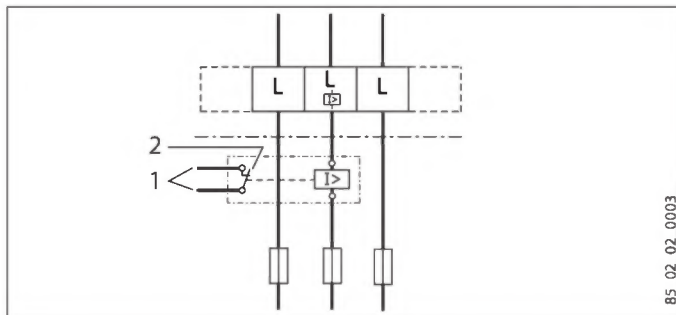
15.2 Шематски дијаграм

3/PE ~ 380-415 V



- 1 Греење
- 2 Безбедносен ограничувач на температура
- 3 Безбедносен ограничувач на притисок

Приоритетна склопка со LR 1-A



- 1 Управувачки вод за контакторот од вториот уред (на пр. електрично греење со резервоар).
- 2 Управувачкиот контакт отвора при вклучување на проточниот бојлер.

15.3 Капацитет на топла вода

Капацитетот на топла вода зависи од постојниот мрежен напон, приклучната моќност на уредот и приливната температура на студената вода. Номиналниот напон и номиналната моќност ќе ги најдете на плочката со ознаки (види поглавје „Отстранување проблеми“).

Приклучна моќност во kW			38 °C капацитет на топла вода во l/min.			
Номинален напон			Приливна температура на студена вода			
380 V	400 V	415 V	5 °C	10 °C	15 °C	20 °C
16,2			7,0	8,3	10,1	12,9
19,0			8,2	9,7	11,8	15,1
21,7			9,4	11,1	13,5	17,2
	18,0		7,8	9,2	11,2	14,3
	21,0		9,1	10,7	13,0	16,7
	24,0		10,4	12,2	14,9	19,0
		19,4	8,4	9,9	12,0	15,4
		22,6	9,8	11,5	14,0	17,9
		25,8	11,2	13,2	16,0	20,5
24,4			10,6	12,4	15,2	19,4
	27,0		11,7	13,8	16,8	21,4

Приклучна моќност во kW			50 °C капацитет на топла вода во l/min.			
Номинален напон			Приливна температура на студена вода			
380 V	400 V	415 V	5 °C	10 °C	15 °C	20 °C
16,2			5,1	5,8	6,6	7,7
19,0			6,0	6,8	7,8	9,0
21,7			6,9	7,8	8,9	10,3
	18,0		5,7	6,4	7,3	8,6
	21,0		6,7	7,5	8,6	10,0
	24,0		7,6	8,6	9,8	11,4
		19,4	6,2	6,9	7,9	9,2
		22,6	7,2	8,1	9,2	10,8
		25,8	8,2	9,2	10,5	12,3
24,4			7,7	8,7	10,0	11,6
	27,0		8,6	9,6	11,0	12,9

15.4 Подрачје на примена / Табела за конверзија

Специфичен електричен отпор и специфична електрична спроводливост на водата (види поглавје „Технички податоци“).

Нормативен навод при 15 °C			20 °C			25 °C		
Отпор $\rho \geq$	Спроводливост $\sigma \leq$		Отпор $\rho \geq$	Спроводливост $\sigma \leq$		Отпор $\rho \geq$	Спроводливост $\sigma \leq$	
$\Omega \text{ cm}$	mS/m	$\mu\text{S/cm}$	$\Omega \text{ cm}$	mS/m	$\mu\text{S/cm}$	$\Omega \text{ cm}$	mS/m	$\mu\text{S/cm}$
900	111	1111	800	125	1250	735	136	1361
1000	100	1000	890	112	1124	815	123	1227
1200	83	833	1070	93	935	985	102	1015
1300	77	769	1175	85	851	1072	93	933

15.5 Загуби на притисок

Арматури

Паѓање на притисокот на арматурите при проток од 10 l/min		
Еднорачна батерија, околу	MPa	0,04 - 0,08
Термостатска арматура, околу	MPa	0,03 - 0,05
Рачка за туш, околу	MPa	0,03 - 0,15

Одредување на димензиите на цевководната мрежа

За пресметка на димензиите на цевководната мрежа за уредот се препорачува загуба на притисок од 0,1 MPa.

15.6 Услови на пречки

Во случај на пречка, може да дојде до краткотрајни оптоварувања на инсталацијата од максимум 95 °C при притисок од 1,2 MPa.

15.7 Податоци за потрошувачката на енергија

Податоци за производот: Конвенционални бојлери според одредбата (ЕУ) бр. 812/2013 | 814/2013

		PEO 18/21/24 233991	PEO 27 233992
Производител		STIEBEL ELTRON	STIEBEL ELTRON
Профил на оптоварување		S	S
Класа на енергетска ефикасност		A	A
Енергетска ефикасност	%	39	39
Годишна потрошувачка на струја	kWh	477	481
Фабрички поставки на температурата	°C	60	60
Ниво на звучна моќност	dB(A)	15	15
Посебни совети за мерење на ефикасноста		Податоци за P _{max} .	Измерено со DMB 8,5 l/min
Дневна потрошувачка на струја	kWh	2,198	2,220

15.8 Табела со податоци

		PEO 18/21/24 233991			PEO 27 233992	
Електрични податоци						
Номинален напон	V	380	400	415	380	400
Номинален капацитет	kW	16,2/19/21,7	18/21/24	19,4/22,6/25,8	24,4	27
Номинална струја	A	27,6/29,5/33,3	29/31/35	30,1/32,2/36,3	37,1	39
Осигурување	A	32/32/35	32/32/35	32/32/40	40	40
Фреквенција	Hz	50/60	50/60	50/-	50/60	50/60
Фази				3/PE		3/PE
Специфичен отпор $\rho_{15} \geq$ (при ϑ студено ≤ 25 °C)	Ω cm	900	900	1000	900	900
Специфична спроводливост $\sigma_{15} \leq$ (при ϑ студено ≤ 25 °C)	$\mu S/cm$	1111	1111	1000	1111	1111
Специфичен отпор $\rho_{15} \geq$ (при ϑ студено ≤ 45 °C)	Ω cm	1200	1200	1300	1200	1200
Специфична спроводливост $\sigma_{15} \leq$ (при ϑ студено ≤ 45 °C)	$\mu S/cm$	833	833	770	833	833
Макс. импеданса на мрежата при 50 Hz	Ω	0,284	0,270	0,260	0,254	0,241
Изведби						
Греен систем генератор на топлина				Гола жица		Гола жица
Изолирачки блок				Пластика		Пластика
Дефинирање на температурата	°C			30-60		30-60
Класа на заштита				1		1
Капа и заден сид				Пластика		Пластика
Вид заштита (IP)				IP25		IP25
Боја				бело		бело
Приклучоци						
Приклучување на вода				G 1/2 A		G 1/2 A
Граници на примена						
Макс. дозволен притисок	MPa			1		1
Макс. приливна температура за дополнително загревање	°C			45		45
Вредности						
Макс. дозволена приливна температура	°C			60		60
Вклучено	l/min			>2,5		>2,5
Предавање топла вода	l/min			9,4/11,0/12,6		14,2
$\Delta\vartheta$ при предавање	K			26		26
Податоци за хидрауликата						
Номинална содржина	l			0,4		0,4
Димензии						
Висина	mm			485		485
Ширина	mm			226		226
Длабочина	mm			93		93
Тежини						
Тежина	kg			3,6		3,6



Напомена

Уредот е сообразен со IEC 61000-3-12.

Гаранција

За уредите набавени надвор од Германија не важат гарантните услови на нашите германски друштва. Понатаму, во земјите каде што нашите производи ги дистрибуира наша подружница, гаранцијата може да ја даде само подружницата. Таквата гаранција се дава само тогаш, кога подружницата има издадени сопствени услови за гаранција. Надвор од тоа не се дава никаква гаранција.

За уредите набавени во други земји, во коишто производите не ги дистрибуира наша подружница, не даваме никаква гаранција. Ова не влијае на евентуалните гаранции дадени од увозникот.

Животна средина и рециклирање

Помогнете да ја заштитиме нашата животна средина. Отстранете ги материјалите по употребата во согласност со националните прописи.

СПЕЦИАЛЬНЫЕ УКАЗАНИЯ

ЭКСПЛУАТАЦИЯ

1. Общие указания	113
1.1 Указания по технике безопасности	113
1.2 Другие обозначения в данной документации	113
1.3 Единицы измерения	113
2. Техника безопасности	113
2.1 Использование по назначению	113
2.2 Общие указания по технике безопасности	114
2.3 Знак технического контроля	114
3. Описание устройства	114
4. Настройки	114
4.1 Рекомендация по настройке	114
5. Чистка, уход и техническое обслуживание	115
6. Поиск и устранение проблем	115

УСТАНОВКА

7. Техника безопасности	115
7.1 Общие указания по технике безопасности	115
7.2 Режим душа	116
7.3 Предписания, стандарты и положения	116
8. Описание устройства	116
8.1 Комплект поставки	116
9. Подготовительные мероприятия	116
9.1 Место монтажа	116
9.2 Водопроводные работы	117
10. Монтаж	117
10.1 Стандартный	117
10.2 Варианты монтажа	120
10.3 Завершение монтажа	122
11. Ввод в эксплуатацию	122
11.1 Первый ввод в эксплуатацию	122
11.2 Повторный ввод в эксплуатацию	123
12. Вывод из эксплуатации	123
13. Поиск и устранение неисправностей	123
14. Техническое обслуживание	124
15. Технические характеристики	124
15.1 Размеры и подключения	124
15.2 Электрическая схема	125
15.3 Производительность по горячей воде	125
15.4 Рабочие диапазоны / Таблица пересчета данных	125
15.5 Потери давления	125
15.6 Возможные неисправности	125
15.7 Характеристики энергопотребления	126
15.8 Таблица параметров	126

ГАРАНТИЯ

ЗАЩИТА ОКРУЖАЮЩЕЙ СРЕДЫ И УТИЛИЗАЦИЯ

СПЕЦИАЛЬНЫЕ
УКАЗАНИЯ

- Детям старше 3 лет, а также лицам с ограниченными физическими и умственными способностями, не имеющим опыта и не владеющим информацией о приборе, разрешено использовать прибор только под присмотром других лиц или после соответствующего инструктажа о правилах безопасного пользования и потенциальной опасности в случае несоблюдения этих правил. Не допускать шалостей детей с прибором. Дети могут выполнять чистку прибора и те виды технического обслуживания, которые обычно производятся пользователем, только под присмотром взрослых.
- Арматура может нагреваться до температуры 60 °С. При температуре воды на выходе выше 43 °С существует опасность обваривания.
- Прибор подходит для снабжения горячей водой душа (режим душа). Если прибор будет периодически или постоянно использоваться в режиме душа, специалист должен активировать возможность настройки температуры выше значения ограничения ($T_{red} = 55 \text{ °C}$). При использовании предварительно подогретой воды необходимо убедиться, что температура подачи не будет превышать 55 °С.
- Прибор должен отключаться от сети с размыканием всех контактов на всех полюсах и изолированием на расстоянии не менее 3 мм.
- Напряжение сети должно совпадать с указанным на табличке.
- Прибор необходимо подключить к проводу заземления.
- Прибор должен быть подключен к стационарной электрической проводке.

- Закрепить прибор, как описано в главе «Установка / Монтаж».
- Убедиться, что давление соответствует максимально допустимому (см. главу «Установка / Технические характеристики / Таблица параметров»).
- Удельное электрическое сопротивление воды не должно быть ниже указанного на заводской табличке (см. главу «Установка / Технические характеристики / Таблица параметров»).
- При опорожнении прибора следовать указаниям главы «Установка / Техническое обслуживание / Опорожнение прибора».

ЭКСПЛУАТАЦИЯ

1. Общие указания

Главы «Специальные указания» и «Эксплуатация» предназначены для пользователя и специалиста.

Глава «Установка» предназначена для специалиста.



Указание

Перед началом эксплуатации следует внимательно прочитать данное руководство и сохранить его. При необходимости передать настоящее руководство следующему пользователю.

1.1 Указания по технике безопасности

1.1.1 Структура указаний по технике безопасности



СИГНАЛЬНОЕ СЛОВО Вид опасности
Здесь приведены возможные последствия несоблюдения указания по технике безопасности.
► Здесь приведены мероприятия по предотвращению опасности.

1.1.2 Символы, вид опасности

Символ	Вид опасности
	Травма
	Поражение электрическим током
	Ожог (ожог, обваривание)

1.1.3 Сигнальные слова

СИГНАЛЬНОЕ СЛОВО	Значение
ОПАСНОСТЬ	Указания, несоблюдение которых приводит к серьезным травмам или к смертельному исходу.
ПРЕДУПРЕЖДЕНИЕ	Указания, несоблюдение которых может привести к серьезным травмам или к смертельному исходу.
ОСТОРОЖНО	Указания, несоблюдение которых может привести к травмам средней тяжести или к легким травмам.

1.2 Другие обозначения в данной документации



Указание

Общие указания обозначены приведенным рядом с ними символом.

- Следует внимательно прочитать тексты указаний.

Символ

Значение



Материальный ущерб (повреждение оборудования, косвенный ущерб и ущерб окружающей среде)



Утилизация устройства

- Этот символ указывает на необходимость выполнения определенных действий. Описание необходимых действий приведено шаг за шагом.

1.3 Единицы измерения



Указание

Если не указано иное, все размеры приведены в миллиметрах.

2. Техника безопасности

2.1 Использование по назначению

Прибор напорного типа предназначен для нагрева водопроводной воды или дополнительного подогрева воды, нагретой ранее. Прибор может обеспечивать одну или несколько точек отбора.

Прибор предназначен для бытового использования. Для его безопасного обслуживания пользователю не требуется проходить инструктаж. Возможно использование прибора не только в быту, но и, например, на предприятиях малого бизнеса при условии соблюдения тех же условий эксплуатации.

Любое иное или не указанное в настоящем руководстве использование данного устройства считается использованием не по назначению. Использование по назначению подразумевает соблюдение требований настоящего руководства, а также руководств к используемым принадлежностям.

2.2 Общие указания по технике безопасности



ОСТОРОЖНО ожог

Арматура может нагреваться до температуры 60 °С. При температуре воды на выходе выше 43 °С существует опасность обваривания.



ОСТОРОЖНО ожог

В режиме эксплуатации с использованием предварительно подогретой воды, например, из солнечной установки, температура приготовленной горячей воды может отклоняться от заданной температуры.



ПРЕДУПРЕЖДЕНИЕ травма

Детям старше 3 лет, а также лицам с ограниченными физическими и умственными способностями, не имеющим опыта и не владеющим информацией о приборе, разрешено использовать прибор только под присмотром других лиц или после соответствующего инструктажа о правилах безопасного пользования и потенциальной опасности в случае несоблюдения этих правил. Не допускать шалостей детей с прибором. Дети могут выполнять чистку прибора и те виды технического обслуживания, которые обычно производятся пользователем, только под присмотром взрослых.

Если прибором пользуются дети или лица с ограниченными физическими, сенсорными и умственными способностями, рекомендуется установить режим постоянного ограничения температуры. Выполнить данную настройку может специалист.



Материальный ущерб

Пользователь должен обеспечить защиту прибора и смесителя от замерзания.

2.3 Знак технического контроля

См. заводскую табличку на приборе.



Евразийское соответствие

Данный прибор соответствует требованиям безопасности технических регламентов Евразийского Экономического Союза ТР ТС 004/2011, ТР ТС 020/2011 и прошел соответствующие процедуры подтверждения соответствия. Сертификат соответствия № ЕАЭС RU С-DE.АЯ46.В.18483/21, срок действия с 12.03.2021 г. по 11.03.2026 г. Орган по сертификации «РОСТЕСТ-Москва» АО «Региональный орган по сертификации и тестированию».

3. Описание устройства

Проточный водонагреватель с электронным управлением автоматически регулирует мощность нагрева, что позволяет обеспечить постоянную температуру воды на выходе с учетом предельной мощности прибора. При превышении предельной мощности прибора регулирование температуры воды осуществляется при помощи водоразборной арматуры.

Нагревательная система

Нагревательная система с открытым нагревательным элементом защищена герметичным пластиковым корпусом. Нагревательная система пригодна для мягкой и жесткой воды, так как она практически невосприимчива к образованию накипи. Нагревательная система обеспечивает быстрое и эффективное снабжение горячей водой.



Указание

Прибор оснащен системой обнаружения воздуха, которая предотвращает повреждение системы нагрева. Если во время эксплуатации прибора в него попадает воздух, прибор отключает нагрев на одну минуту, защищая тем самым свою нагревательную систему.

4. Настройки

Температура горячей воды на выходе регулируется бесступенчато. На дисплее отображается значение заданной температуры. Если температура превышает 43 °С, то цвет индикации меняется с синего на красный, предупреждая об опасности обваривания.



- ▶ Установить ручку регулятора на нужную температуру.



Указание

Если раздаточный кран горячей воды полностью открыт, температура установлена на максимальное значение, но при этом вода на выходе недостаточно нагрета, значит через прибор проходит больше воды, чем может нагреть нагревательный элемент (достигнута предельная мощность прибора).

- ▶ В таком случае необходимо снизить расход воды на раздаточном кране.

4.1 Рекомендация по настройке

Арматура для термостата

Проточный нагреватель обеспечивает максимально точную и максимально комфортную подготовку горячей воды. Если прибор все же используется с термостатическим смесителем, то необходимо учитывать следующие рекомендации:

- ▶ Следует задать на приборе температуру выше 50 °С. В таком случае заданная температура устанавливается на термостатическом смесителе.

После отключения подачи воды



Материальный ущерб

Чтобы избежать повреждения нагревательной системы с открытым нагревательным элементом, в случае нарушения водоснабжения следует выполнить описанную ниже процедуру повторного ввода прибора в эксплуатацию.

- ▶ Обесточить прибор, отключив предохранители.
- ▶ Открыть вентиль смесителя на одну минуту, пока из прибора и линии подачи холодной воды не будет удален весь воздух.
- ▶ Возобновить подачу сетевого напряжения.

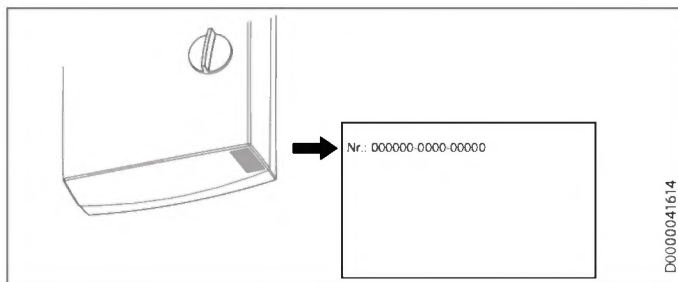
5. Чистка, уход и техническое обслуживание

- ▶ Не использовать абразивные или едкие чистящие средства. Для ухода за прибором и очистки корпуса достаточно влажной тканевой салфетки.
- ▶ Необходимо регулярно проверять смесители. Известковые отложения на изливе смесителя можно удалить с помощью имеющихся в продаже средств для удаления накипи.

6. Поиск и устранение проблем

Проблема	Причина	Способ устранения
Прибор не включается, несмотря на полностью открытый кран горячей воды.	Отсутствует напряжение.	Проверить предохранители домового электросети.
	Слишком малый объемный расход. Загрязнение или известкование регулятора струи или душевой лейки.	Очистить регулятор струи или душевую лейку и / или удалить известковый налет.
Не осуществляется нагрев до температуры, заданной > 45 °C.	Водоснабжение отключено.	Удалить воздух из прибора и трубопровода подачи холодной воды (см. главу «Настройки»).
	Температура холодной воды на входе превышает 45 °C.	Уменьшить температуру холодной воды на подаче.

Если невозможно устранить эту неисправность самостоятельно, нужно пригласить специалиста. Чтобы специалист смог оперативно помочь, необходимо сообщить ему номер прибора с заводской таблички (000000-0000-00000):



УСТАНОВКА

7. Техника безопасности

Установка, ввод в эксплуатацию, а также техническое обслуживание и ремонт прибора должны производиться только квалифицированным специалистом.

7.1 Общие указания по технике безопасности

Безупречная работа и эксплуатационная безопасность прибора гарантируются только при использовании соответствующих оригинальных принадлежностей и оригинальных запчастей.

Гидравлическое давление

Если даже при открытом смесителе расход воды остается недостаточным для включения прибора, следует снять ограничитель расхода и заменить его входящей в комплект поставки пластмассовой профильной шайбой.

При необходимости можно также увеличить давление в водопроводе.



Указание

Если установлен термостатический смеситель, то замена ограничителя расхода пластмассовой профильной шайбой не допускается, так как может привести к неправильной работе этого смесителя.



Материальный ущерб

Необходимо учитывать максимально допустимое значение температуры подачи. При более высоких температурах подачи возможно повреждение прибора. При установке центрального термостатического смесителя максимальную температуру подаваемой воды можно ограничить.



ПРЕДУПРЕЖДЕНИЕ поражение электрическим током

В настоящем приборе имеются конденсаторы, которые разряжаются после отключения от сети электропитания. Напряжение разряда конденсатора может в ряде случаев кратковременно достигать уровня > 60 В пост. тока.

7.2 Режим душа



ОСТОРОЖНО ожог

► При подготовке воды для душа внутреннее ограничение температуры необходимо установить в положение «Tred» (см. главу «Варианты монтажа / Ограничение температуры»).



ОСТОРОЖНО ожог

При подаче в прибор предварительно нагретой воды нужно соблюдать следующее указание: Внутреннее ограничение температуры периодически может превышать.

► Следует ограничить температуру с помощью предустановленного центрального термостатического смесителя.

7.3 Предписания, стандарты и положения



Указание

Необходимо соблюдать все национальные и региональные предписания и положения.

- Степень защиты IP 25 (защита от струй воды) обеспечивается только при надлежащей установке защитной втулки для кабеля.
- Удельное электрическое сопротивление воды не должно быть ниже указанного на заводской табличке! При наличии объединенной водопроводной сети следует учитывать минимальное электрическое сопротивление воды (см. главу «Технические характеристики / Рабочие диапазоны / Таблица пересчета данных»). Выяснить удельное электрическое сопротивление или электропроводность воды на предприятии водоснабжения.

8. Описание устройства

8.1 Комплект поставки

В комплект поставки прибора входят:

- Настенная монтажная планка
- Резьбовая шпилька для настенной монтажной планки
- Шаблон для монтажа
- 2 двойных ниппеля (для холодной воды, с запорным клапаном)
- Плоские уплотнения
- Кабельная втулка (подключение электропитания сверху / внизу)
- Шурупы / дюбели для настенного крепежа при открытом монтаже водопровода

Для замены прибора:

- 2 резьбовых удлинителя

9. Подготовительные мероприятия

9.1 Место монтажа



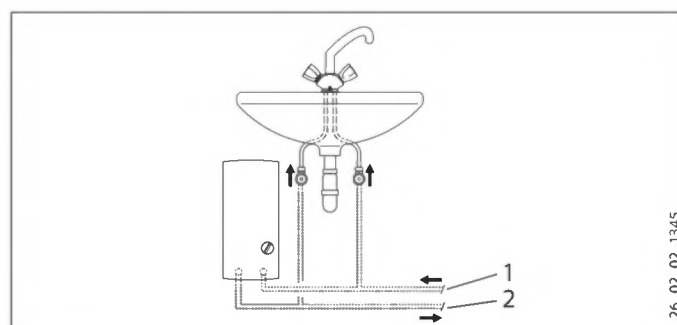
Материальный ущерб

Прибор разрешается устанавливать только в отапливаемом помещении.

- Устанавливать прибор следует вертикально, в непосредственной близости от точки отбора воды.

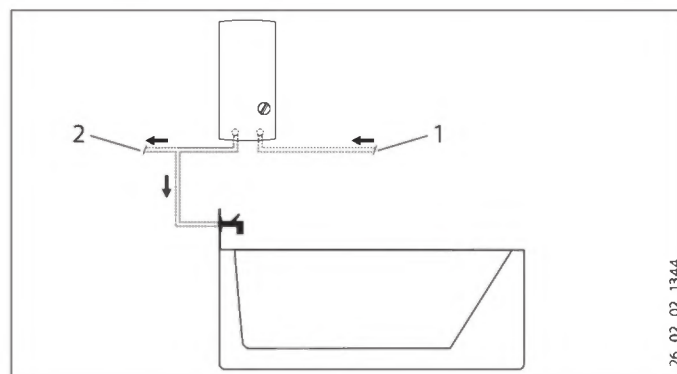
Прибор можно устанавливать под раковиной или над ней.

Монтаж под раковиной



- 1 Подвод холодной воды
- 2 Выпуск горячей воды

Монтаж над раковиной



- 1 Подвод холодной воды
- 2 Выпуск горячей воды



Указание

► Смонтировать прибор на стене. Стена должна обладать достаточной несущей способностью.

9.2 Водопроводные работы

- Установка предохранительного клапана не требуется.
- Установка предохранительных клапанов в трубопровод горячей воды недопустима.
- ▶ Тщательно промыть водопроводную систему.
- ▶ Необходимо убедиться, что объемный расход (см. главу «Технические характеристики / Таблица параметров») достаточен для включения прибора. Если объемный расход остается ниже необходимого, следует извлечь ограничитель объемного расхода (см. главу «Монтаж / демонтаж ограничителя объемного расхода»).
- ▶ Если раздаточный вентиль полностью открыт, но объемный расход остается ниже необходимого для включения прибора, следует повысить давление в водопроводной системе.

Смесители

Использовать подходящие напорные смесители. Запрещено использовать безнапорные смесители.



Указание

Для уменьшения потока запрещено использовать запорный клапан на линии подачи холодной воды! Это приводит к блокированию прибора.

Разрешенные материалы для водопроводных труб

- Линия подачи холодной воды:
труба из горячеоцинкованной стали, нержавеющей стали, меди или пластика
- Трубопровод горячей воды:
труба из нержавеющей стали, меди или пластика



Материальный ущерб

При использовании пластмассовых труб нужно учитывать максимальную температуру и максимально допустимое давление (см. главу «Технические характеристики / таблица параметров»).

Гибкие соединительные шланги для подачи воды

- ▶ При подключении прибора с помощью гибких шлангов необходимо предусмотреть защиту от проворачивания трубных колен с байонетным соединением.
- ▶ Закрепить заднюю стенку, зафиксировав ее снизу двумя дополнительными винтами.

10. Монтаж

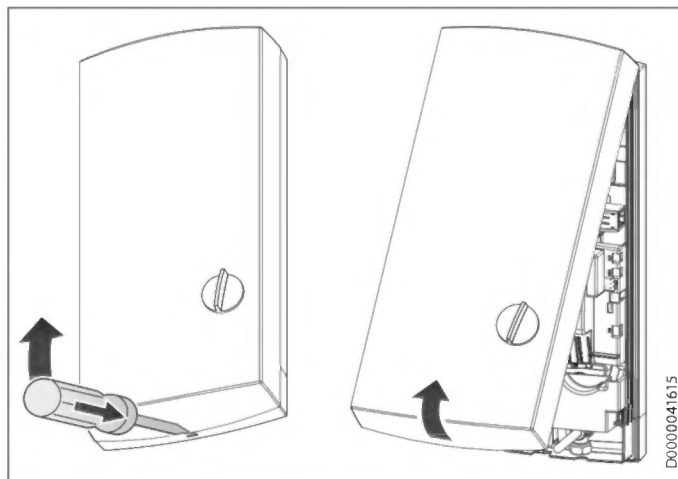
10.1 Стандартный

- Электроподключение сверху при скрытой проводке
- Подключение к водопроводу скрытой установки
- PEO 18/21/24. По умолчанию задана средняя присоединяемая мощность

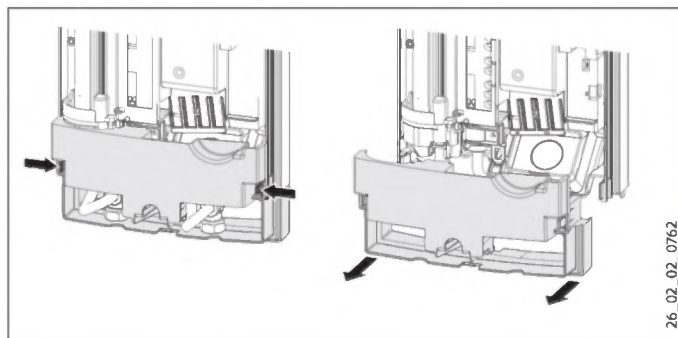
Другие способы монтажа см. главу «Варианты монтажа».

- Электроподключение снизу при скрытой проводке
- Электроподключение при открытой проводке
- Подключение реле сброса нагрузки
- Подключение к водопроводу открытого монтажа
- Подключение к водопроводу скрытого монтажа при замене прибора
- Работа с предварительно подогретой водой
- Ограничение температуры

Открывание прибора

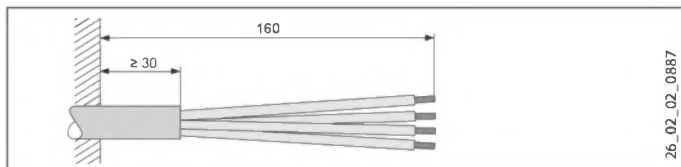


- ▶ Открыть прибор, отжав защелку фиксатора.



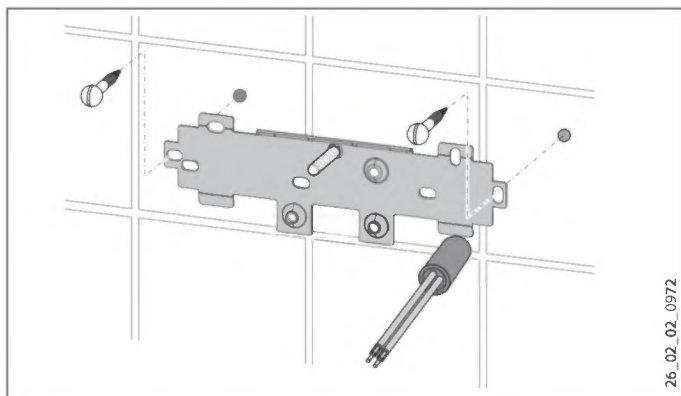
- ▶ Снять заднюю панель, для этого нажать на оба крючка-фиксатора и потянуть нижнюю часть задней панели вперед.

Подготовка кабеля питания



26_02_02_0887

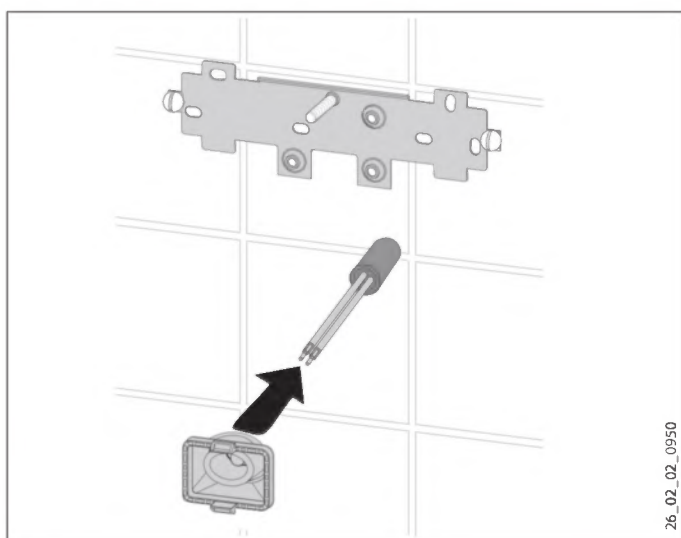
Установка настенной монтажной планки



26_02_02_0972

- ▶ Разметить места сверления отверстий при помощи шаблона для монтажа. При подключении прибора к водопроводу открытого монтажа нужно дополнительно отметить крепежные отверстия в нижней части шаблона.
- ▶ Просверлить отверстия и закрепить настенную монтажную планку с помощью 2 винтов и 2 дюбелей (винты и дюбели не входят в комплект поставки).
- ▶ Установить прилагаемую резьбовую шпильку.
- ▶ Установить настенную монтажную планку.

Монтаж кабельной втулки

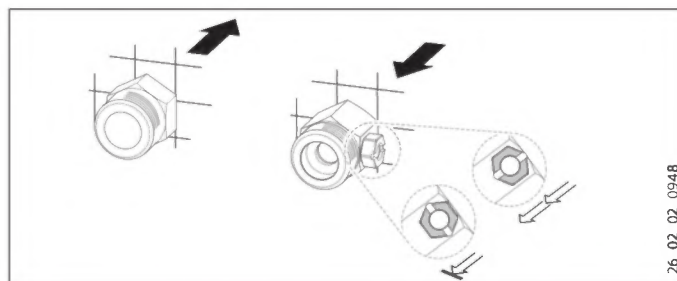


26_02_02_0950

- ▶ Смонтировать кабельную втулку. Если поперечное сечение кабеля превышает 6 мм², отверстие в кабельной втулке необходимо расширить.

Подключение прибора к системе водоснабжения

- ! **Материальный ущерб**
Все работы по подключению воды и установке прибора необходимо производить в соответствии с инструкцией.



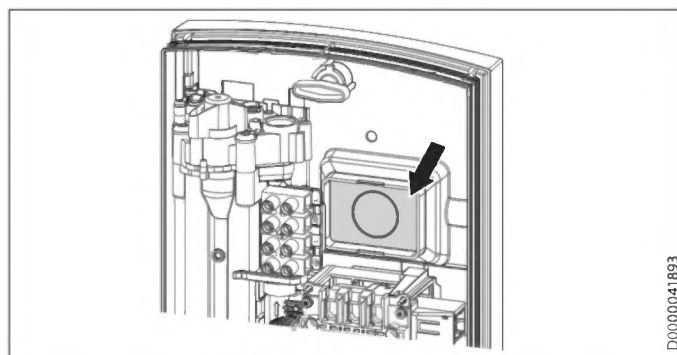
26_02_02_0948

- ▶ Поставить прокладку и ввинтить двойной nipple.

- ! **Материальный ущерб**
Для уменьшения потока запрещено использовать запорный клапан на линии подачи холодной воды!

Подготовка задней стенки

- ! **Материальный ущерб**
Если по ошибке было выломано не то отверстие для кабельной втулки, необходимо использовать новую заднюю стенку.



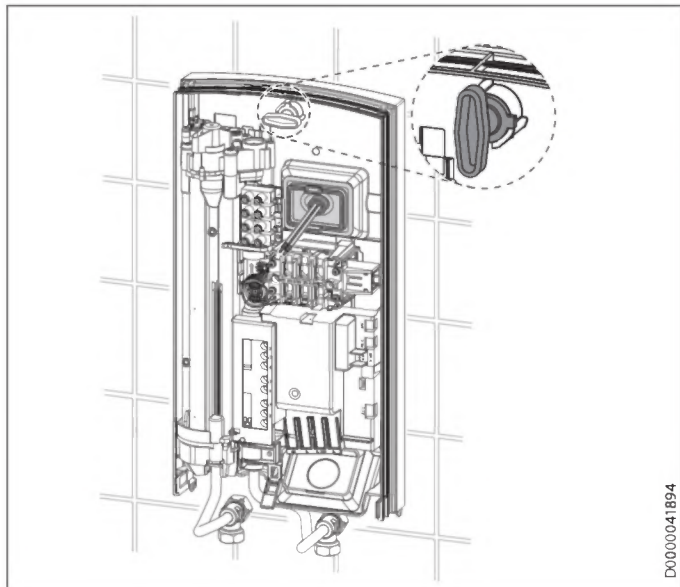
D0000041893

- ▶ Выломать в заданной точке на задней стенке отверстие для кабельной втулки. При наличии острых кромок их необходимо чисто обработать напильником.

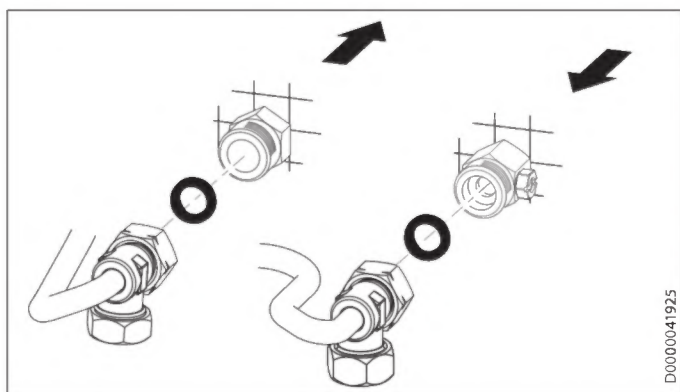
УСТАНОВКА

Монтаж

Монтаж прибора



- ▶ Надеть заднюю стенку на шпильку и кабельную втулку. Подтянуть плоскогубцами кабельную втулку к фиксатору на задней стенке так, чтобы оба фиксатора защелкнулись со слышимым щелчком.
- ▶ Удалить защитные заглушки из патрубков для подключения воды.
- ▶ Плотно прижать заднюю панель к стене, зафиксировать панель с помощью крепежного воротка путем правого вращения на 90°.



- ▶ Прикрутить трубы с плоскими уплотнителями к двойным ниппелям.



Материальный ущерб

Для работы прибора необходима установка сетчатого фильтра.

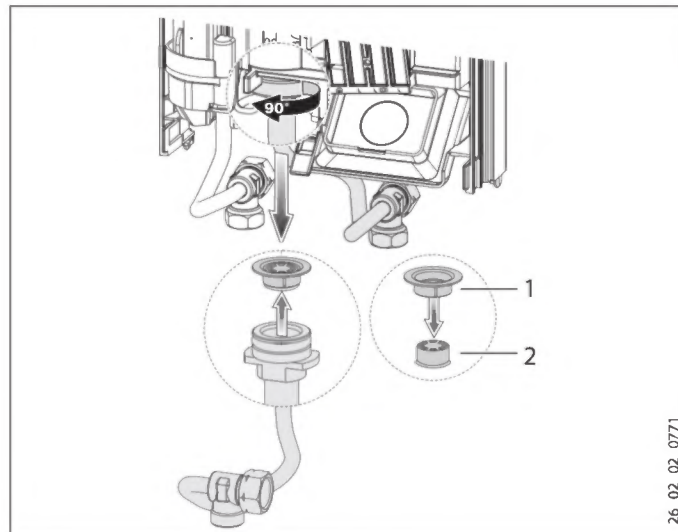
- ▶ При замене прибора проверить наличие сетчатого фильтра (см. главу «Техническое обслуживание»).

Снятие ограничителя объемного расхода



Материальный ущерб

При использовании термостатического смесителя демонтаж ограничителя объемного расхода запрещен.



- 1 Профильная пластиковая шайба
 - 2 Ограничитель расхода
- ▶ Извлечь ограничитель объемного расхода и снова установить профильную пластиковую шайбу.

Подключение к сети электропитания



ПРЕДУПРЕЖДЕНИЕ поражение электрическим током

Все работы по электрическому подключению и установке необходимо производить в соответствии с инструкцией.



ПРЕДУПРЕЖДЕНИЕ поражение электрическим током

Подключение к электросети допустимо только в неразъемном исполнении и при наличии съемной кабельной втулки. Прибор должен отключаться от сети с размыканием всех контактов на всех полюсах и изолированием на расстоянии не менее 3 мм.



ПРЕДУПРЕЖДЕНИЕ поражение электрическим током

Проверить подключение прибора к защитному проводу.



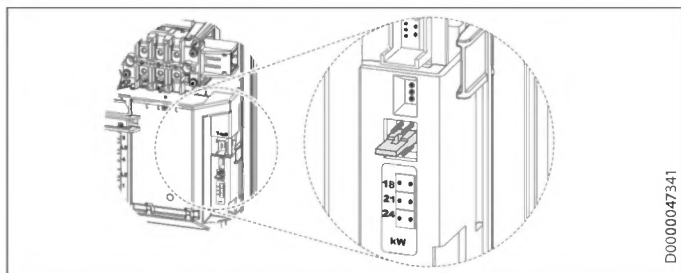
Материальный ущерб

Следует соблюдать данные на заводской табличке. Напряжение сети должно совпадать с указанным на табличке.

- ▶ Подключить кабель питания к соединительной клемме сети (см. главу «Технические характеристики / Электрическая схема»).

PEO 18/21/24. Переключение штекера кодировки

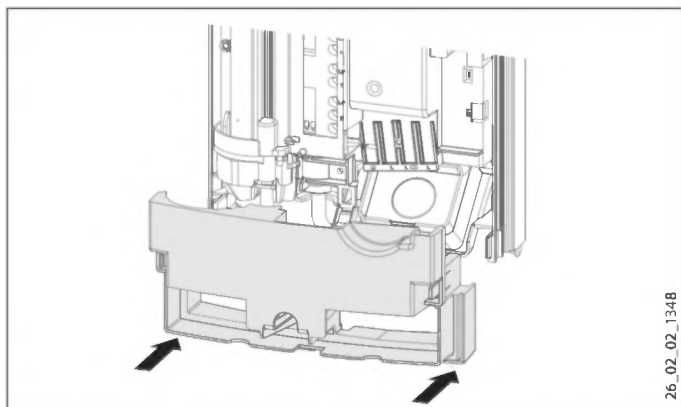
На момент поставки штекер кодировки установлен в положение 21 кВт. Для переключения на другую потребляемую мощность необходимо выполнить следующие действия:



D0000047341

- ▶ Переместить штекер кодировки в положение, соответствующее выбранной мощности (сведения о выборе мощности и предохранителях прибора см. в главе «Технические характеристики / Таблица параметров»).
- ▶ Выбранную мощность отметить на заводской табличке крестиком. Для этого использовать шариковую ручку.

Монтаж нижней части задней стенки

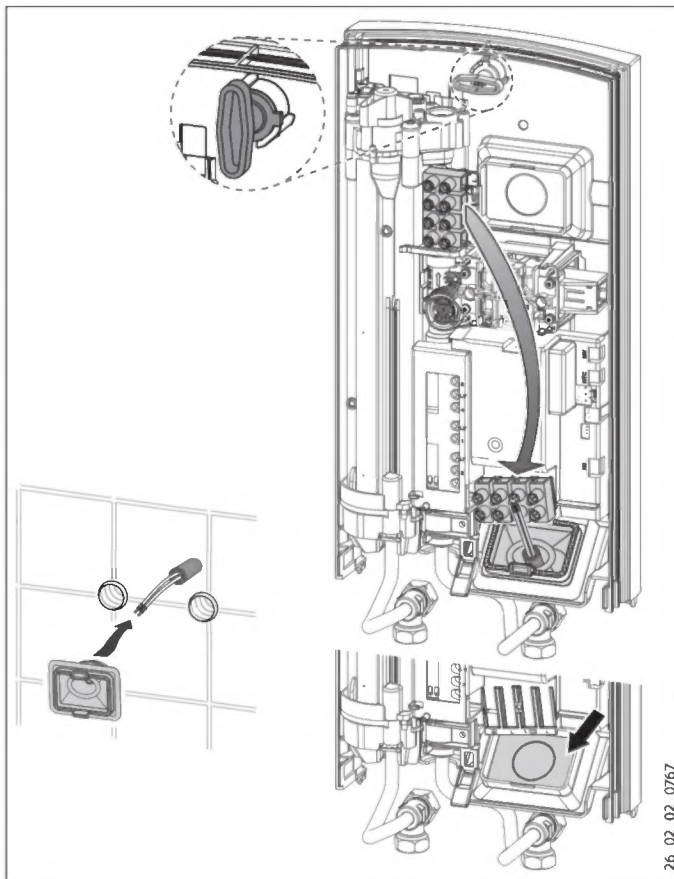


26_02_02_1348

- ▶ Установить нижнюю часть задней панели и защелкнуть ее в задней панели.
- ▶ Выровнять установленный прибор, ослабив крепежный вороток, поправить электрический кабель и заднюю стенку, после чего вновь затянуть крепежный вороток. Если задняя панель не прилегает к стене, то нижнюю часть прибора можно закрепить двумя дополнительными шурупами.

10.2 Варианты монтажа

10.2.1 Электроподключение снизу при скрытой проводке



26_02_02_0767

- ▶ Смонтировать кабельную втулку.



Материальный ущерб

Если по ошибке было выломано не то отверстие для кабельной втулки, необходимо использовать новую заднюю стенку.

- ▶ Выломать в заданной точке на задней стенке отверстие для кабельной втулки. При наличии острых кромок их необходимо чисто обработать напильником.
- ▶ Переместить клемму подключения к электросети с верхней части прибора вниз.
- ▶ Надеть заднюю стенку на шпильку и кабельную втулку. Подтянуть плоскогубцами кабельную втулку к фиксатору на задней стенке так, чтобы оба фиксатора защелкнулись со слышимым щелчком.
- ▶ Плотно прижать заднюю панель к стене, зафиксировать панель с помощью крепежного воротка путем правого вращения на 90°.

10.2.2 Электроподключение при открытой проводке



Указание

При таком способе подключения изменится степень защиты прибора.

- ▶ Изменить данные на заводской табличке. Зачеркнуть маркировку «IP 25» и пометить крестиком ячейку «IP 24». Для этого использовать шариковую ручку.



Материальный ущерб

Если по ошибке было выломано не то отверстие для кабельной втулки, необходимо использовать новую заднюю стенку.

- ▶ На задней стенке прибора чисто выполнить необходимые проходные отверстия (их расположение см. главу «Технические характеристики / Размеры и соединения»). При наличии острых кромок их необходимо чисто обработать напильником.
- ▶ Пропустить кабель электропитания через кабельную втулку и подключить его к соединительной клемме сети.

10.2.3 Подключение реле сброса нагрузки

Реле сброса нагрузки в электrorаспределительном устройстве следует использовать совместно с другими электроприборами, например, с электрическими накопительными водонагревателями. Сброс нагрузки осуществляется при работе проточного водонагревателя.



Материальный ущерб

Подключить фазу, на которую установлено реле сброса нагрузки, к помеченной соединительной клемме сети в приборе (см. главу «Технические характеристики / Электрические схемы и соединения»).

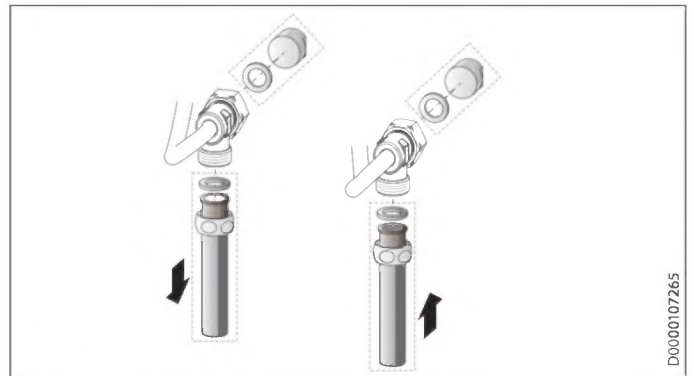
10.2.4 Подключение к водопроводу открытого монтажа



Указание

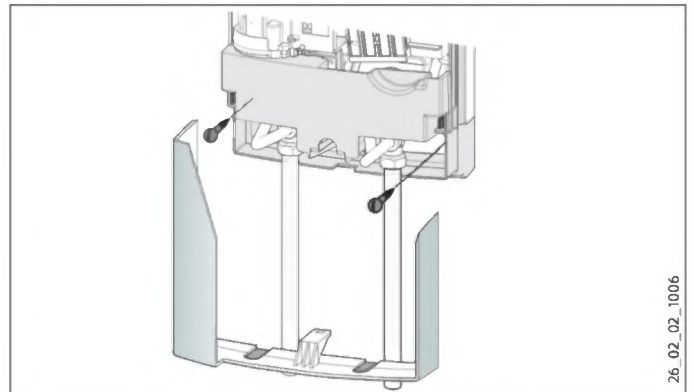
При таком способе подключения изменится степень защиты прибора.

- ▶ Изменить данные на заводской табличке. Зачеркнуть маркировку «IP 25» и пометить крестиком ячейку «IP 24». Для этого использовать шариковую ручку.



DO000107265

- ▶ На трубопровод скрытого монтажа установить заглушки с уплотнениями.
- ▶ Выполнить монтаж соответствующего напорного смесителя.



26_02_02_1006

- ▶ Закрепить заднюю стенку, зафиксировав ее снизу двумя дополнительными винтами.
- ▶ Установить нижнюю часть задней панели под трубы арматуры и зафиксировать ее в задней панели.
- ▶ Соединить трубы с прибором.



Материальный ущерб

Если по ошибке было сделано не то отверстие в крышке прибора, необходимо использовать новую крышку прибора.

- ▶ Аккуратно выломать проходные отверстия в крышке прибора. При наличии острых кромок их необходимо чисто обработать напильником.

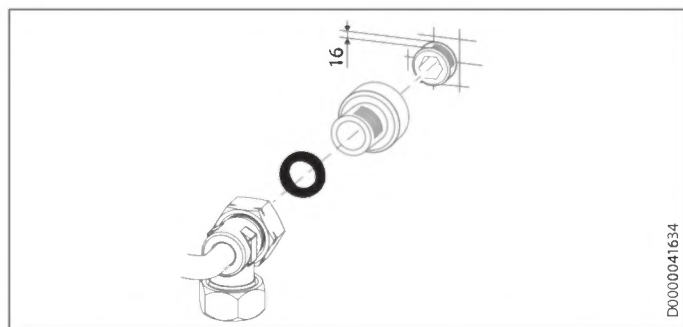
10.2.5 Подключение к водопроводу скрытого монтажа при замене прибора

Если имеющиеся двойные ниппели старого прибора выступают из стены всего примерно на 16 ММ, использовать входящие в комплект поставки двойные ниппели нельзя.



Указание

При таком подключении перекрыть подачу холодной воды можно только на уровне домовой водопроводной сети.

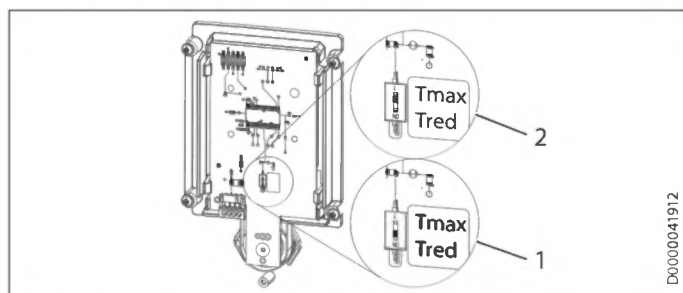


- ▶ Обеспечить уплотнение и вернуть входящие в комплект поставки резьбовые удлинители.
- ▶ Подключить прибор.

10.2.6 Работа с предварительно подогретой водой

При установке центрального термостатического смесителя максимальная температура подаваемой воды ограничивается.

10.2.7 Ограничение температуры



- 1 Положение «Tred» (55 °C): Ограничение температуры
- 2 Положение «Tmax»: без ограничения температуры, диапазон настройки температуры см. в главе «Технические характеристики / Таблица параметров».

- ▶ Снять крышку прибора.
- ▶ Передвинуть переключатель в нужное положение.
- ▶ Смонтировать крышку прибора.



ОСТОРОЖНО ожог

В режиме эксплуатации с использованием предварительно подогретой воды заданное ограничение температуры может не действовать.

- ▶ В этом случае ограничение задается на предустановленном центральном термостатическом смесителе.

10.3 Завершение монтажа

- ▶ Открыть запорный вентиль в двойном ниппеле или в трубопроводе подачи холодной воды.

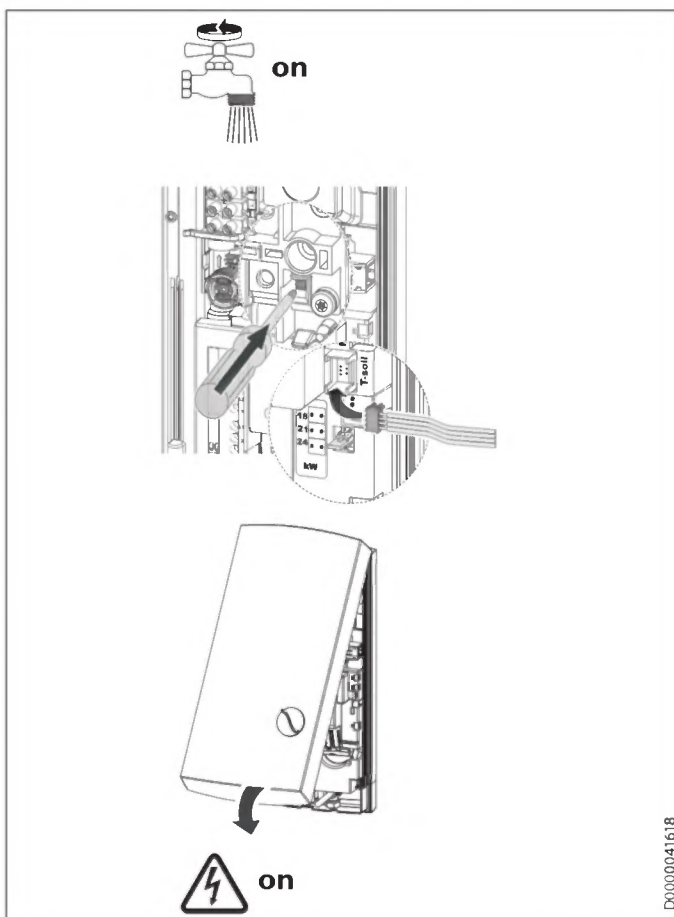
11. Ввод в эксплуатацию



ПРЕДУПРЕЖДЕНИЕ поражение электрическим током

Ввод прибора в эксплуатацию может осуществляться только специалистом при условии соблюдения правил техники безопасности.

11.1 Первый ввод в эксплуатацию



- ▶ Многократно открывать и закрывать все подключенные раздаточные краны до тех пор, пока из водопроводной сети и прибора не выйдет весь воздух.
- ▶ Выполнить проверку герметичности.
- ▶ Активировать предохранительный ограничитель давления, сильно нажав кнопку сброса (на момент поставки прибора функция предохранительного ограничителя давления деактивирована).
- ▶ Подключить штекер регулятора температуры к блоку электроники.
- ▶ Установить крышку прибора и зафиксировать до слышимого щелчка. Проверить положение крышки прибора.
- ▶ Подать сетевое напряжение.
- ▶ Проверить работу прибора.

Передача устройства

- ▶ Объяснить пользователю принцип работы устройства и ознакомить его с правилами использования устройства.
- ▶ Указать пользователю на возможные опасности, особенно на опасность обваривания.
- ▶ Передать данное руководство.

11.2 Повторный ввод в эксплуатацию

Удалить воздух из прибора и трубопровода подачи холодной воды (см. главу «Настройки»).

См. главу «Первый ввод в эксплуатацию».

12. Вывод из эксплуатации

- ▶ Полностью обесточить прибор с размыканием контактов на всех полюсах.
- ▶ Опорожнить прибор, см. главу «Техническое обслуживание».

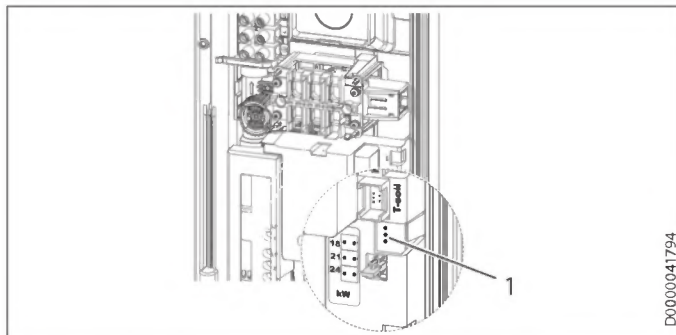
13. Поиск и устранение неисправностей



ПРЕДУПРЕЖДЕНИЕ поражение электрическим током
Для проверки прибора он должен находиться под напряжением.

Индикация диагностического светодиодного индикатора (LED)

● (красный)	горит при неисправности
● (желтый)	горит в режиме нагрева
○ (зеленый)	мигает: прибор подключен к сети



1 Диагностический светодиодный индикатор

Неисправность / индикация светодиодного диагностического светодиода	Причина	Способ устранения
Очень слабый поток воды.	Загрязнен сетчатый фильтр в приборе.	Очистить сетчатый фильтр.
Не достигнута заданная температура.	Отсутствует одна фаза.	Проверить предохранители электрической сети в здании.
Нагрев не включается.	Прибор обнаружил в воде воздух и на непродолжительное время прекратил нагрев.	Прибор восстановит работу через одну минуту.

Неисправность / индикация светодиодного диагностического светодиода	Причина	Способ устранения
Отсутствует горячая вода, не работает диагностический светодиодный индикатор.	Сработал предохранительный ограничитель давления AP 3.	Проверить предохранители электрической сети в здании. Устранить причину неисправности (например, неисправный сливной кран). Открыть кран отбора горячей воды на одну минуту для защиты нагревательной системы от перегрева. Это позволит снять нагрузку с нагревательной системы и обеспечит ее охлаждение. Активировать предохранительный ограничитель давления при наличии гидравлического давления, для этого следует нажать кнопку сброса (см. главу «Первый ввод в эксплуатацию»).
Диагностический светодиодный индикатор: зеленый мигает или горит постоянно	Неисправен электронный блок.	Проверить электронный блок, при необходимости заменить.
При расходе > 2,5 л/мин нет горячей воды.	Неисправен электронный блок. Не подключена система распознавания потока DFE. Неисправна система распознавания потока DFE.	Проверить электронный блок, при необходимости заменить. Подключить штекер системы распознавания потока. Проверить датчик распознавания потока и при необходимости заменить его.
Диагностический светодиодный индикатор: постоянно горит желтый, мигает зеленый	Сработал предохранительный ограничитель температуры, обрыв в его линии.	Проверить предохранительный ограничитель температуры, при необходимости заменить.
Отсутствует горячая вода при расходе > 3 л/мин.	Неисправна нагревательная система. Неисправен электронный блок.	Измерить сопротивление в нагревательной системе, при необходимости заменить сопротивление. Проверить электронный блок, при необходимости заменить.
Диагностический светодиодный индикатор: постоянно горит желтый, мигает зеленый	Выходной датчик отключен, или произошел обрыв в его линии.	Подключить штекер выходного датчика, при необходимости заменить датчик.
Диагностический светодиодный индикатор: постоянно горит красный, мигает зеленый	Неисправен датчик холодной воды.	Проверить электронный блок, при необходимости заменить.
Отсутствует горячая вода Вода не нагревается до заданной температуры > 45 °C.	Температура холодной воды на подаче превышает 45 °C.	Уменьшить температуру холодной воды на подаче.
Диагностический светодиодный индикатор: постоянно горит красный, мигает зеленый	Поврежден выходной датчик (короткое замыкание).	Проверить выходной датчик, при необходимости заменить.

14. Техническое обслуживание



ПРЕДУПРЕЖДЕНИЕ поражение электрическим током
При любых работах необходимо полное отключение прибора от сети.

Опорожнение прибора

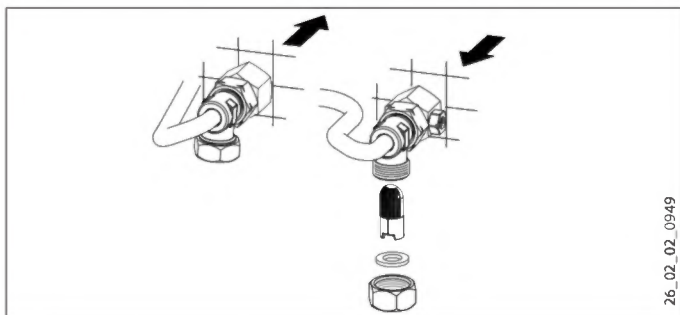
Для проведения работ по техническому обслуживанию воду из прибора можно слить.



ПРЕДУПРЕЖДЕНИЕ ожог
При опорожнении прибора может вытекать горячая вода.

- ▶ Закрыть запорный вентиль в двойном ниппеле или в трубопроводе подачи холодной воды.
- ▶ Открыть все раздаточные вентили.
- ▶ Отсоединить трубопроводы подачи воды от прибора.
- ▶ Хранить демонтированный прибор в отапливаемом помещении, поскольку в приборе всегда находятся остатки воды, которые могут замерзнуть и повредить его.

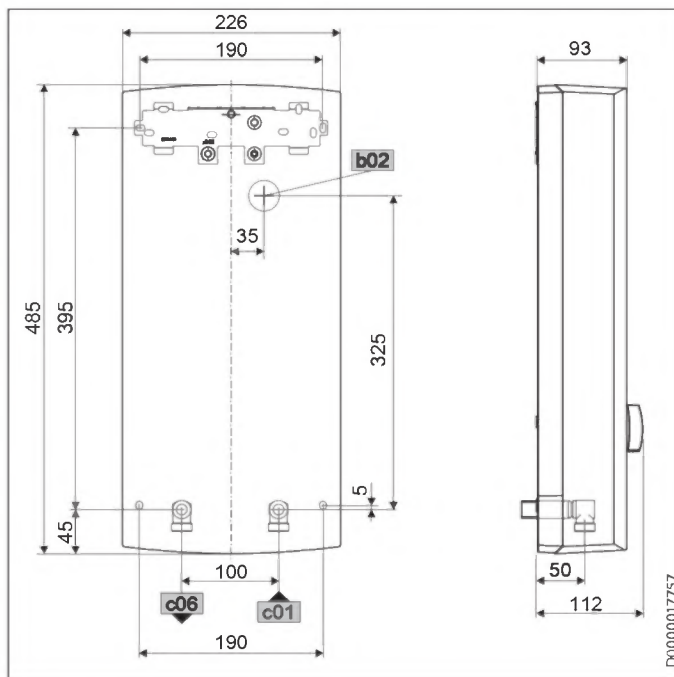
Чистка сетчатого фильтра



В случае загрязнения следует очистить сетчатый фильтр в резьбовом соединении подачи холодной воды. Закрыть запорный вентиль в трубопроводе подачи холодной воды, демонтировать сетчатый фильтр, очистить его и установить снова.

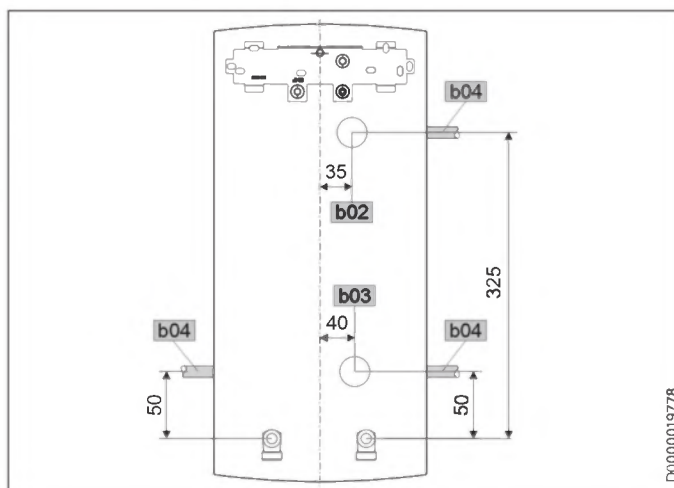
15. Технические характеристики

15.1 Размеры и подключения



b02	Ввод кабеля электропитания I		
c01	Подвод холодной воды	Наружная резьба	G 1/2 A
c06	Выпуск горячей воды	Наружная резьба	G 1/2 A

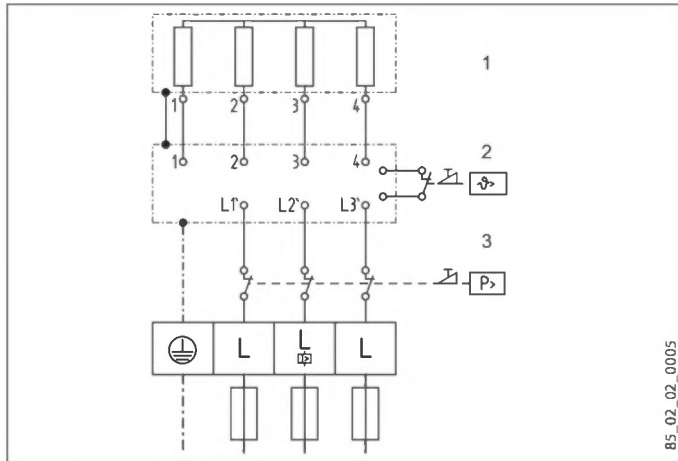
Варианты подключения



b02	Ввод кабеля электропитания I
b03	Ввод кабеля электропитания II
b04	Ввод кабеля электропитания III

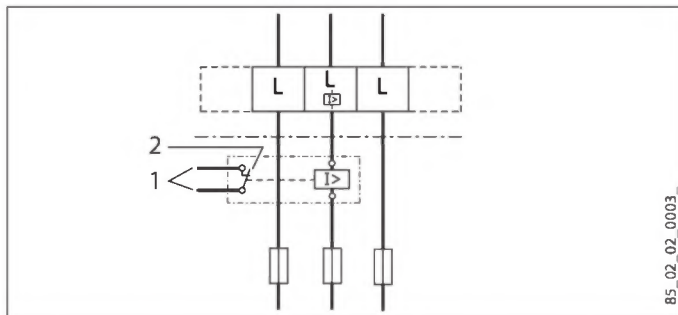
15.2 Электрическая схема

3/PE ~ 380-415 В



- 1 Нагрев
- 2 Предохранительный ограничитель температуры
- 3 Предохранительный ограничитель давления

Приоритетная схема с LR 1-A



- 1 Линия цепи управления к контактору 2-го прибора (например, электрическому накопительному водонагревателю).
- 2 Управляющий контакт размыкается при включении проточного водонагревателя.

15.3 Производительность по горячей воде

Производительность по горячей воде зависит от напряжения в сети, потребляемой мощности прибора и температуры холодной воды. Сведения о номинальном напряжении и номинальной мощности указаны на заводской табличке (см. главу «Устранение неисправностей»).

Номинальное напряжение	Потребляемая мощность, кВт			Производительность по горячей воде (38 °С), л/мин.			
	380 В	400 В	415 В	Температура холодной воды на входе			
	5 °С	10 °С	15 °С	20 °С			
16,2	7,0	8,3	10,1	12,9			
19,0	8,2	9,7	11,8	15,1			
21,7	9,4	11,1	13,5	17,2			
	18,0	7,8	9,2	11,2	14,3		
	21,0	9,1	10,7	13,0	16,7		
	24,0	10,4	12,2	14,9	19,0		
		19,4	8,4	9,9	12,0	15,4	
		22,6	9,8	11,5	14,0	17,9	
		25,8	11,2	13,2	16,0	20,5	
24,4			10,6	12,4	15,2	19,4	
	27,0		11,7	13,8	16,8	21,4	

Номинальное напряжение	Потребляемая мощность, кВт			Производительность по горячей воде (50 °С), л/мин.			
	380 В	400 В	415 В	Температура холодной воды на входе			
	5 °С	10 °С	15 °С	20 °С			
16,2	5,1	5,8	6,6	7,7			
19,0	6,0	6,8	7,8	9,0			
21,7	6,9	7,8	8,9	10,3			
	18,0	5,7	6,4	7,3	8,6		
	21,0	6,7	7,5	8,6	10,0		
	24,0	7,6	8,6	9,8	11,4		
		19,4	6,2	6,9	7,9	9,2	
		22,6	7,2	8,1	9,2	10,8	
		25,8	8,2	9,2	10,5	12,3	
24,4			7,7	8,7	10,0	11,6	
	27,0		8,6	9,6	11,0	12,9	

15.4 Рабочие диапазоны / Таблица пересчета данных

Удельное электрическое сопротивление и удельная электропроводность (см. главу «Таблица параметров»).

Стандартные данные при 15 °С			20 °С			25 °С		
Сопротивление $\rho \geq$	Электропроводность $\sigma \leq$	Ом·см	Сопротивление $\rho \geq$	Электропроводность $\sigma \leq$	Ом·см	Сопротивление $\rho \geq$	Электропроводность $\sigma \leq$	Ом·см
900	111	1111	800	125	1250	735	136	1361
1000	100	1000	890	112	1124	815	123	1227
1200	83	833	1070	93	935	985	102	1015
1300	77	769	1175	85	851	1072	93	933

15.5 Потери давления

Смесители

Потеря давления на смесителях при объемном расходе 10 л/мин		
Однорычажный смеситель, прикл.	МПа	0,04 - 0,08
Термостатический смеситель, прикл.	МПа	0,03 - 0,05
Ручной душ, прикл.	МПа	0,03 - 0,15

Расчет параметров трубопроводной сети

При расчете параметров трубопроводной сети для прибора рекомендуется задать потерю давления 0,1 МПа.

15.6 Возможные неисправности

При неисправности в трубопроводной системе могут возникать кратковременные пиковые нагрузки с повышением температуры до 95 °С и давления до 1,2 МПа.

15.7 Характеристики энергопотребления

Технические характеристики изделия: Стандартный водонагреватель (в соответствии с регламентом ЕС № 812/2013 | 814/2013)

		PEO 18/21/24 233991		PEO 27 233992	
Производитель		STIEBEL ELTRON		STIEBEL ELTRON	
Профиль нагрузки		S		S	
Класс энергоэффективности		A		A	
Энергетический КПД	%	39		39	
Годовое потребление электроэнергии	кВт*ч	477		481	
Заданная на заводе температура	°C	60		60	
Уровень звуковой мощности	дБ(А)	15		15	
Особые указания по измерению эффективности		Данные при P _{max} .		Измерено с ограничением расхода 8,5 л/мин	
Суточное потребление электроэнергии	кВт*ч	2,198		2,220	

15.8 Таблица параметров

		PEO 18/21/24 233991			PEO 27 233992	
Электрические характеристики						
Номинальное напряжение	В	380	400	415	380	400
Номинальная мощность	кВт	16,2/19/21,7	18/21/24	19,4/22,6/25,8	24,4	27
Номинальный ток	А	27,6/29,5/33,3	29/31/35	30,1/32,2/36,3	37,1	39
Предохранитель	А	32/32/35	32/32/35	32/32/40	40	40
Частота	Гц	50/60	50/60	50/-	50/60	50/60
Фазы				3/PE		3/PE
Удельное сопротивление $\rho_{15} \geq$ (при $\vartheta_{хол.} \leq 25$ °C)	Ом см	900	900	1000	900	900
Удельная электропроводность $\sigma_{15} \leq$ (при $\vartheta_{хол.} \leq 25$ °C)	мкСм/см	1111	1111	1000	1111	1111
Удельное сопротивление $\rho_{15} \geq$ (при $\vartheta_{хол.} \leq 45$ °C)	Ом см	1200	1200	1300	1200	1200
Удельная электропроводность $\sigma_{15} \leq$ (при $\vartheta_{хол.} \leq 45$ °C)	мкСм/см	833	833	770	833	833
Макс. полное сопротивление сети при 50 Гц	Ом	0,284	0,270	0,260	0,254	0,241
Модификации						
Генератор тепла системы отопления		Открытый нагревательный элемент			Открытый нагревательный элемент	
Изолирующий блок		Пластмасса			Пластмасса	
Регулировка температуры	°C	30-60			30-60	
Класс защиты		1			1	
Крышка и задняя панель		Пластмасса			Пластмасса	
Степень защиты (IP)		IP25			IP25	
Цвет		белый			белый	
Соединения						
Подключение к водопроводу		G 1/2 A			G 1/2 A	
Пределы рабочего диапазона						
Макс. допустимое давление	МПа	1			1	
Макс. значение температуры подачи для догрева	°C	45			45	
Параметры						
Макс. допустимая температура подачи	°C	60			60	
Вкл	л/мин	> 2,5			> 2,5	
Мощность по горячей воде	л/мин	9,4/11,0/12,6			14,2	
Δ ϑ при подаче	К	26			26	
Гидравлические характеристики						
Номинальная емкость	л	0,4			0,4	
Размеры						
Высота	ММ	485			485	
Ширина	ММ	226			226	
Глубина	ММ	93			93	
Вес						
Вес	кг	3,6			3,6	

**Указание**

Прибор соответствует требованиям стандарта IEC 61000-3-12.

Серийный номер на шильдике прибора содержит дату изготовления прибора.

Серийный номер имеет следующую структуру: 6-значный артикул прибора - 4-значная дата производства- 6-значный порядковый номер.

4-значная дата производства расшифровывается так:

- Первые две цифры плюс 25 - это год изготовления прибора (2 цифры), то есть 94+25 -> для 2019, 93+25 -> для 2018 и так далее;
- Последние две цифры минус 25 -это календарная неделя изготовления прибора.

Например, 4-значная дата производства 9440 соответствует 15 неделе в 2019 году.

Изготовитель:

«Штибель Эльтрон ГмбХ & Ко. КГ»

Адрес: Др. -Штибель-Штрассе 33,

37603, Хольцминден, Германия

Тел. 05531 702-0 | Факс 05531 702-480

info@stiebel-eltron.de

www.stiebel-eltron.de

Сделано в Германии

Импортер в РФ:

ООО «Штибель Эльтрон»

Адрес: ул. Уржумская, д.4, стр. 2

129343, г. Москва, Россия

Тел. +7 495 125 0 125 | Факс: +7 495 775 38 87

info@stiebel-eltron.ru

www.stiebel-eltron.ru

Гарантия

Приборы, приобретенные за пределами Германии, не подпадают под условия гарантии немецких компаний. К тому же в странах, где продажу нашей продукции осуществляет одна из наших дочерних компаний, гарантия предоставляется исключительно этой дочерней компанией. Такая гарантия предоставляется только в случае, если дочерней компанией изданы собственные условия гарантии. За пределами этих условий никакая гарантия не предоставляется.

На приборы, приобретенные в странах, где ни одна из наших дочерних компаний не осуществляет продажу нашей продукции, никакие гарантии не распространяются. Это не затрагивает гарантий, которые могут предоставляться импортером.

Защита окружающей среды и утилизация

Внесите свой вклад в охрану окружающей среды. Утилизацию использованных материалов следует производить в соответствии с национальными нормами.

Deutschland

STIEBEL ELTRON GmbH & Co. KG
Dr.-Stiebel-Straße 33 | 37603 Holzminden
Tel. 05531 702-0 | Fax 05531 702-480
info@stiebel-eltron.de
www.stiebel-eltron.de

Verkauf

Tel. 05531 702-110 | Fax 05531 702-95108 | info-center@stiebel-eltron.de

Kundendienst

Tel. 05531 702-111 | Fax 05531 702-95890 | kundendienst@stiebel-eltron.de

Ersatzteilverkauf

www.stiebel-eltron.de/ersatzteile | ersatzteile@stiebel-eltron.de

Australia

STIEBEL ELTRON Australia Pty. Ltd.
294 Salmon Street | Port Melbourne VIC 3207
Tel. 03 9645-1833 | Fax 03 9644-5091
info@stiebel-eltron.com.au
www.stiebel-eltron.com.au

Austria

STIEBEL ELTRON Ges.m.b.H.
Gewerbegebiet Neubau-Nord
Margaritenstraße 4 A | 4063 Hörsching
Tel. 07221 74600-0 | Fax 07221 74600-42
info@stiebel-eltron.at
www.stiebel-eltron.at

Belgium

STIEBEL ELTRON bvba/sprl
't Hofveld 6 - D1 | 1702 Groot-Bijgaarden
Tel. 02 42322-22 | Fax 02 42322-12
info@stiebel-eltron.be
www.stiebel-eltron.be

China

STIEBEL ELTRON (Tianjin) Electric Appliance Co., Ltd.
Plant C3, XEDA International Industry City
Xi'qing Economic Development Area
300385 Tianjin
Tel. 022 8396 2077 | Fax 022 8396 2075
info@stiebel-eltron.cn
www.stiebel-eltron.cn

Czech Republic

STIEBEL ELTRON spol. s r.o.
Dopraváků 749/3 | 184 00 Praha 8
Tel. 251116-111 | Fax 235512-122
info@stiebel-eltron.cz
www.stiebel-eltron.cz

Finland

STIEBEL ELTRON OY
Kapinakuja 1 | 04600 Mäntsälä
Tel. 020 720-9988
info@stiebel-eltron.fi
www.stiebel-eltron.fi

France

STIEBEL ELTRON SAS
7-9, rue des Selliers
B.P 85107 | 57073 Metz-Cédex 3
Tel. 0387 7438-88 | Fax 0387 7468-26
info@stiebel-eltron.fr
www.stiebel-eltron.fr

Hungary

STIEBEL ELTRON Kft.
Gyár u. 2 | 2040 Budaörs
Tel. 01 250-6055 | Fax 01 368-8097
info@stiebel-eltron.hu
www.stiebel-eltron.hu

Japan

NIHON STIEBEL Co. Ltd.
Kowa Kawasaki Nishiguchi Building 8F
66-2 Horikawa-Cho
Saiwai-Ku | 212-0013 Kawasaki
Tel. 044 540-3200 | Fax 044 540-3210
info@nihonstiebel.co.jp
www.nihonstiebel.co.jp

Netherlands

STIEBEL ELTRON Nederland B.V.
Daviottenweg 36 | 5222 BH 's-Hertogenbosch
Tel. 073 623-0000 | Fax 073 623-1141
info@stiebel-eltron.nl
www.stiebel-eltron.nl

New Zealand

Stiebel Eltron NZ Limited
61 Barrys Point Road | Auckland 0622
Tel. +64 9486 2221
info@stiebel-eltron.co.nz
www.stiebel-eltron.co.nz

Poland

STIEBEL ELTRON Polska Sp. z O.O.
ul. Działkowa 2 | 02-234 Warszawa
Tel. 022 60920-30 | Fax 022 60920-29
biuro@stiebel-eltron.pl
www.stiebel-eltron.pl

Russia

STIEBEL ELTRON LLC RUSSIA
Urzhumskaya street 4,
building 2 | 129343 Moscow
Tel. +7 495 125 0 125
info@stiebel-eltron.ru
www.stiebel-eltron.ru

Slovakia

STIEBEL ELTRON Slovakia, s.r.o.
Hlavná 1 | 058 01 Poprad
Tel. 052 7127-125 | Fax 052 7127-148
info@stiebel-eltron.sk
www.stiebel-eltron.sk

South Africa

STIEBEL ELTRON Southern Africa (PTY) Ltd
30 Archimedes Road
Wendywood
Johannesburg, 2090
Tel. +27 10 001 85 47
info@stiebel-eltron.co.za
www.stiebel-eltron.co.za

Switzerland

STIEBEL ELTRON AG
Industrie West
Gass 8 | 5242 Lupfig
Tel. 056 4640-500 | Fax 056 4640-501
info@stiebel-eltron.ch
www.stiebel-eltron.ch

Thailand

STIEBEL ELTRON Asia Ltd.
469 Moo 2 Tambol Klong-Jik
Amphur Bangpa-In | 13160 Ayutthaya
Tel. 035 220088 | Fax 035 221185-88
th-info@stiebel-eltron.com
www.stiebel-eltron.co.th

United Kingdom and Ireland

STIEBEL ELTRON UK Ltd.
Unit 12 Stadium Court
Stadium Road | CH62 3RP Bromborough
Tel. 0151 346-2300 | Fax 0151 334-2913
info@stiebel-eltron.co.uk
www.stiebel-eltron.co.uk

United States of America

STIEBEL ELTRON, Inc.
17 West Street | 01088 West Hatfield MA
Tel. 0413 247-3380 | Fax 0413 247-3369
info@stiebel-eltron-usa.com
www.stiebel-eltron-usa.com

STIEBEL ELTRON



Irrtum und technische Änderungen vorbehalten! | Subject to errors and technical changes! | Sous réserve d'erreurs et de modifications techniques! | Onder voorbehoud van vergissingen en technische wijzigingen! | Salvo error o modificación técnica! | Excepto erro ou alteração técnica | Zastrzeżone zmiany techniczne i ewentualne błędy | Omyly a technické změny jsou vyhrazeny! | A muszaki változtatások és tévedések jogát fenntartjuk! | Отсутствие ошибок не гарантируется. Возможны технические изменения. | Chyby a technické zmeny sú vyhradené! | Stand 9835

Ovaj dokument je originalno proizveden i objavljen od strane proizvođača, brenda Stiebel Eltron, i preuzet je sa njihove zvanične stranice. S obzirom na ovu činjenicu, Tehnoteka ističe da ne preuzima odgovornost za tačnost, celovitost ili pouzdanost informacija, podataka, mišljenja, saveta ili izjava sadržanih u ovom dokumentu.

Napominjemo da Tehnoteka nema ovlašćenje da izvrši bilo kakve izmene ili dopune na ovom dokumentu, stoga nismo odgovorni za eventualne greške, propuste ili netačnosti koje se mogu naći unutar njega. Tehnoteka ne odgovara za štetu nanесenu korisnicima pri upotrebi netačnih podataka. Ukoliko imate dodatna pitanja o proizvodu, ljubazno vas molimo da kontaktirate direktno proizvođača kako biste dobili sve detaljne informacije.

Za najnovije informacije o ceni, dostupnim akcijama i tehničkim karakteristikama proizvoda koji se pominje u ovom dokumentu, molimo posetite našu stranicu klikom na sledeći link:

<https://tehnoteka.rs/p/stiebel-eltron-protocni-bojler-peo-182124-akcija-cena/>