

## Uputstvo za upotrebu i montažu (EN)

STIEBEL ELTRON protočni bojler EIL 7 Premium

**STIEBEL ELTRON**



Tehnoteka je online destinacija za upoređivanje cena i karakteristika bele tehnike, potrošačke elektronike i IT uređaja kod trgovinskih lanaca i internet prodavnica u Srbiji. Naša stranica vam omogućava da istražite najnovije informacije, detaljne karakteristike i konkurentne cene proizvoda.

Posetite nas i uživajte u ekskluzivnom iskustvu pametne kupovine klikom na link:

<https://tehnoteka.rs/p/stiebel-eltron-protocni-bojler-eil-7-premium-akcija-cena/>

**OPERATION AND INSTALLATION  
UTILISATION ET INSTALLATION  
BEDIENING EN INSTALLATIE  
OPERACIÓN E INSTALACIÓN  
OBSŁUGA I INSTALACJA**

Electronically controlled mini instantaneous water heater | Mini chauffe-eau instantané à régulation électronique | Elektronisch geregelde mini-doorstomer | Minicalentador instantáneo con regulación electrónica | Elektronicznie regulowany mini przepływowy grzewacz wody

- » EIL 3 Premium
- » EIL 4 Premium
- » EIL 6 Premium
- » EIL 7 Premium

**STIEBEL ELTRON**

---

# TABLE OF CONTENTS

---

## SPECIAL INFORMATION

### OPERATION

<b>1. General information</b>	<b>4</b>
1.1 Safety instructions	4
1.2 Other symbols in this documentation	5
1.3 Units of measurement	5
<b>2. Safety</b>	<b>6</b>
2.1 Intended use	6
2.2 General safety instructions	6
2.3 Test mark	6
<b>3. Appliance description</b>	<b>7</b>
<b>4. Settings</b>	<b>7</b>
<b>5. Cleaning, care and maintenance</b>	<b>8</b>
<b>6. Troubleshooting</b>	<b>8</b>

### INSTALLATION

<b>7. Safety</b>	<b>9</b>
7.1 General safety instructions	9
7.2 Instructions, standards and regulations	9
<b>8. Appliance description</b>	<b>9</b>
8.1 Standard delivery	9
8.2 Accessories	10
<b>9. Preparation</b>	<b>10</b>
<b>10. Installation</b>	<b>10</b>
10.1 Installation site	10
10.2 Installation alternatives	11

10.3 Making the electrical connection	14
<b>11. Commissioning</b>	<b>15</b>
11.1 Initial start-up	15
11.2 Appliance handover	15
11.3 Recommissioning	15
11.4 Settings	15
<b>12. Shutting down the system</b>	<b>17</b>
<b>13. Troubleshooting</b>	<b>17</b>
<b>14. Maintenance</b>	<b>19</b>
14.1 Draining the appliance	19
14.2 Clean the strainer	19
14.3 Tests in accordance with VDE 0701/0702	20
14.4 Appliance storage	20
14.5 Replacing the power cable for the EIL 6 Premium	20
<b>15. Specification</b>	<b>20</b>
15.1 Dimensions and connections	20
15.2 Wiring diagram	21
15.3 Temperature increase	22
15.4 Application areas	23
15.5 Energy consumption data	23
15.6 Data table	24

### GUARANTEE

### ENVIRONMENT AND RECYCLING

## SPECIAL INFORMATION

- The appliance may be used by children over 3 years of age and persons with reduced physical, sensory or mental capabilities or a lack of experience and expertise, provided that they are supervised or they have been instructed on how to use the appliance safely and have understood the potential risks. Children must never play with the appliance. Cleaning and user maintenance must not be carried out by children without supervision.
- During operation, the tap can reach temperatures up to 55 °C. There is a risk of scalding at outlet temperatures in excess of 43 °C.
- Ensure the appliance can be separated from the power supply by an isolator that disconnects all poles with at least 3 mm contact separation.
- The specified voltage must match the mains power supply.
- The appliance must be permanently connected to fixed wiring; exception EIL 3 Premium.
- The appliance must be connected to the earth conductor.
- The power cable must only be replaced (for example if damaged) by a qualified contractor authorised by the manufacturer, using an original spare part.
- Secure the appliance as described in chapter "Installation / Installation".
- Observe the maximum permissible pressure (see chapter "Installation / Specification / Data table").
- The specific water resistivity of the mains water supply must not be undershot (see chapter "Installation / Specification / Data table").



### General information

---

- Drain the appliance as described in chapter "Installation / Maintenance / Draining the appliance".

## OPERATION

### 1. General information

The chapters "Special information" and "Operation" are intended for appliance users and qualified contractors.

The chapter "Installation" is intended for qualified contractors.



#### Note

Read these instructions carefully before using the appliance and retain them for future reference.

Pass on these instructions to a new user if required.

---

### 1.1 Safety instructions

#### 1.1.1 Structure of safety instructions



#### SIGNAL WORD Type of risk




Here, possible consequences are listed that may result from failure to observe the safety instructions.

► Steps to prevent the risk are listed.

## OPERATION

# General information

### 1.1.2 Symbols, type of risk

Symbol	Type of risk
	Injury
	Electrocution
	Burns (burns, scalding)

### 1.1.3 Signal words

SIGNAL WORD	Meaning
DANGER	Failure to observe this information will result in serious injury or death.
WARNING	Failure to observe this information may result in serious injury or death.
CAUTION	Failure to observe this information may result in non-serious or minor injury.



### 1.2 Other symbols in this documentation



#### Note

General information is identified by the adjacent symbol.

► Read these texts carefully.

Symbol	Meaning
	Property damage (appliance damage, consequential losses and environmental pollution)
	Appliance disposal

► This symbol indicates that you have to do something. The action you need to take is described step by step.

### 1.3 Units of measurement



#### Note

All measurements are given in mm unless stated otherwise.

---

## OPERATION

### Safety

---

## 2. Safety

### 2.1 Intended use

This appliance is suitable for heating domestic hot water or for reheating preheated water. The appliance is designed for one hand washbasin.

The appliance is intended for domestic use. It can be used safely by untrained persons. The appliance can also be used in non-domestic environments, e.g. in small businesses, as long as it is used in the same way.

Any other use beyond that described shall be deemed inappropriate. Observation of these instructions and of the instructions for any accessories used is also part of the correct use of this appliance.

### 2.2 General safety instructions



#### **DANGER Scalding**

During operation, the tap can reach temperatures up to 55 °C.

There is a risk of scalding at outlet temperatures in excess of 43 °C.



#### **WARNING Injury**

The appliance may be used by children over 3 years of age and persons with reduced physical, sensory or mental capabilities or a lack of experience and expertise, provided that they are supervised or they have been instructed on how to use the appliance safely and have understood the potential risks. Children must never play with the appliance. Cleaning and user maintenance must not be carried out by children without supervision.



#### **DANGER Electrocutation**

Any damaged power cables must be replaced by a qualified electrician. This prevents potential hazards from arising.



#### **Property damage**

Protect the appliance and the tap against frost.



#### **Property damage**

Only use the special aerator provided. Prevent scale build-up at the tap outlets (see chapter "Operation / Cleaning, care and maintenance").

### 2.3 Test mark

See type plate on the appliance.

### 3. Appliance description

The electronically controlled mini instantaneous water heater maintains a constant outlet temperature up to its output limit, irrespective of the inlet temperature.

This appliance has been set at the factory to the outlet temperature required for washing hands. Once this temperature has been reached, the PCB automatically reduces the output. The output is matched to the required temperature, this prevents the temperature being exceeded.

The appliance heats the water directly at the draw-off point as soon as the tap is opened. The short pipe runs ensure that energy and water losses are minimal.

The DHW output depends on the cold water temperature, the heating output and the flow rate.

The bare wire heating system is suitable for hard and soft water areas. This heating system has a low susceptibility to scale build-up. The heating system ensures quick and efficient DHW provision at the hand washbasin.

Your qualified contractor can adjust the maximum temperature and flow rate (see chapter "Installation / Commissioning / Settings").

Fitting the special aerator supplied provides an optimum water jet.

### 4. Settings

The appliance heating system switches on automatically as soon as you open the DHW valve at the tap or activate the sensor of a sensor tap. The water is heated. The water temperature can be adjusted at the tap.

For the starting flow rate and flow rate limit, see chapter "Installation / Specification / Data table".

#### **Increasing the temperature**

- ▶ Reduce the flow rate at the tap.

#### **Reducing the temperature**

- ▶ Open the tap further. Add more cold water.

#### **Following an interruption of the water supply**

See chapter "Installation / Commissioning / Recommissioning".

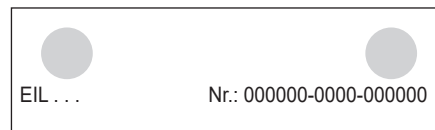
### 5. Cleaning, care and maintenance

- ▶ Never use abrasive or corrosive cleaning agents. A damp cloth is sufficient for cleaning the unit.
- ▶ Check the taps regularly. Limescale deposits at the tap outlets can be removed using commercially available descaling agents.
- ▶ Have the electrical safety of the appliance regularly checked by a qualified contractor.
- ▶ Regularly descale or replace the special aerator in the tap (see chapter "Installation / Appliance description / Accessories").

### 6. Troubleshooting

Problem	Cause	Remedy
The appliance will not start despite the DHW valve being fully open.	No voltage at the appliance.	Check the fuse/MCB in your fuse box/distribution board.
	The aerator in the tap is scaled up or dirty.	Clean and/or descale the aerator or replace the special aerator.
	The water supply has been interrupted.	Vent the appliance and the cold water inlet line (see chapter "Installation / Commissioning / Recommissioning").
The preferred temperature is not being reached.	The maximum temperature set inside the appliance is too low.	Have your qualified contractor adjust the maximum temperature.
	The appliance has reached its output limit.	Reduce the flow rate.

If you cannot remedy the fault, contact your qualified contractor. To facilitate and speed up your enquiry, please provide the serial number from the type plate (000000-0000-000000).



# INSTALLATION

## 7. Safety

Only a qualified contractor should carry out installation, commissioning, maintenance and repair of the appliance.

### 7.1 General safety instructions

We guarantee trouble-free function and operational reliability only if original accessories and spare parts intended for the appliance are used.



#### Property damage

Observe the maximum inlet temperature. Higher temperatures may damage the appliance. You can limit the maximum inlet temperature by installing a central thermostatic valve.



#### WARNING Electrocutation

This appliance contains capacitors which are discharged when disconnected from the power supply. The capacitor discharge voltage may briefly exceed > 34 V DC.

## 7.2 Instructions, standards and regulations



#### Note

Observe all applicable national and regional regulations and instructions.

The electrical resistivity of the water must not fall below that stated on the type plate. In a linked water network, factor in the lowest electrical resistance of the water (see chapter "Installation / Specification / Data table"). Your water supply utility will advise you of the electrical resistivity or conductivity of the water in your area.

## 8. Appliance description

### 8.1 Standard delivery

The following are delivered with the appliance:

- Strainer in the cold water supply
- Special aerator
- Connection hose 3/8, 500 mm long, with gaskets\*
- Tee 3/8\*
- Company logo for oversink installation

\*for the connection as pressure-tested appliance

---

# INSTALLATION

## Preparation

---

### 8.2 Accessories

#### Special aerator

**Note**

Fitting the special aerator supplied provides an optimum water jet.

---

#### Non-pressurised taps

- MAW (OT) - wall mounted tap for oversink installation
- MAZ (UT) - twin lever washbasin tap
- MAE-W (UTE) - mono lever washbasin tap

#### Pressure-tested taps

Suitable pressurised taps are available from specialist trade shops.

## 9. Preparation

- ▶ Flush the water line thoroughly.

#### Water installation

No safety valve is required.

#### Taps

- ▶ Use appropriate taps.

## 10. Installation

### 10.1 Installation site

Install the appliance in a room free from the risk of frost and near the draw-off tap.

Ensure that the lateral fixing screws for the cover are always accessible.

The appliance is suitable for undersink installation (water connections at the top) and oversink installation (water connections at the bottom).

**DANGER Electrocutation**

The adjusting screw for setting the flow rate is live. Protection rating IP 25 is only ensured if the appliance back panel is fitted.

- ▶ Always fit the appliance back panel.

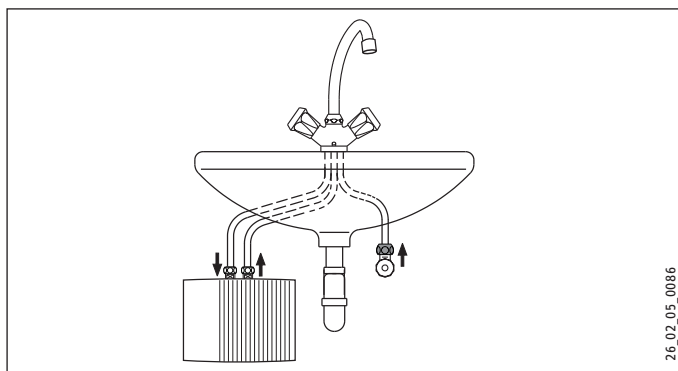
# INSTALLATION

## Installation

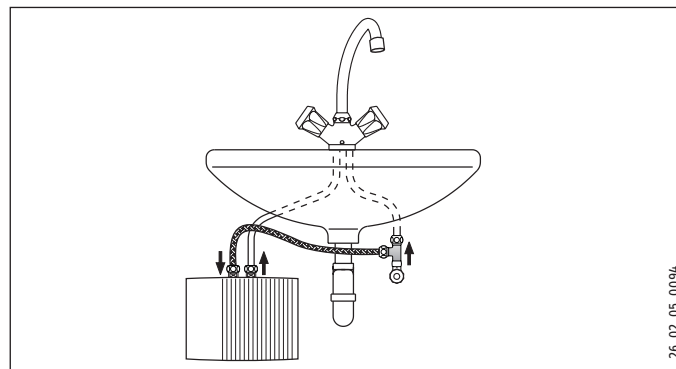
### 10.2 Installation alternatives

#### 10.2.1 Undersink installation

##### Non-pressurised, with non-pressurised tap



##### Pressure-tested, with pressure-tested tap



### Appliance installation



#### Note

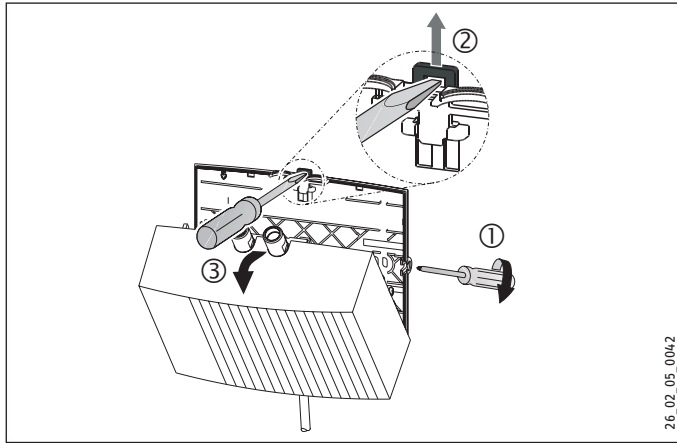
The wall must have sufficient load bearing capacity.

- ▶ Mount the appliance on the wall.

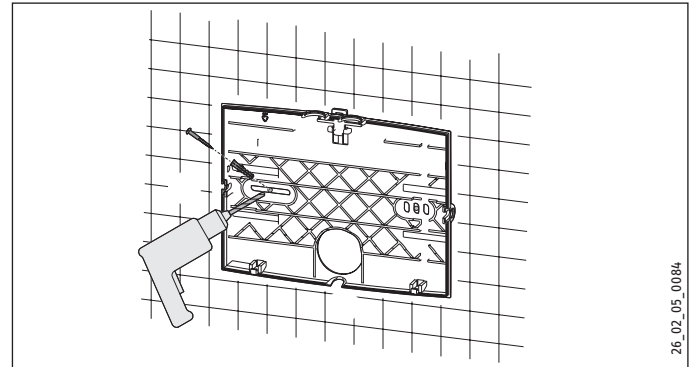


# INSTALLATION

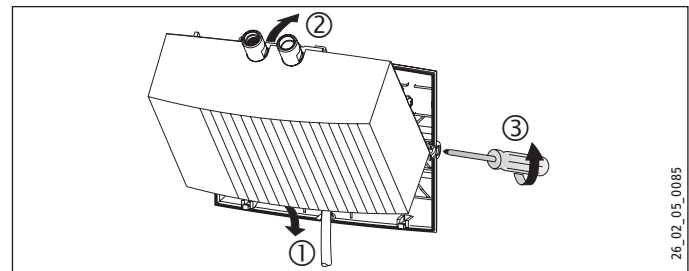
## Installation



- ▶ Undo the cover fixing screws by two turns.
- ▶ Undo the snap fastener using a screwdriver.
- ▶ Remove the appliance cover with the heater towards the front.
- ▶ Using pliers, break out the knock-out for the power cable in the appliance cover. Correct the contours with a file if necessary.



- ▶ Use the appliance back panel as a drilling template.
- ▶ Secure the appliance back panel to the wall with suitable rawl plugs and screws.



- ▶ Route the power cable through the knock-out in the back panel.

# INSTALLATION

## Installation

- ▶ Hook in the appliance cover with the heater at the bottom.
- ▶ Click the heater into place using the snap fastener.
- ▶ Secure the appliance cover with the cover fixing screws.

### Tap installation



#### Property damage

- ▶ When making the connections, counterhold the torque on the appliance using a size 14 spanner.

- ▶ Install the tap. For this, also observe the tap operating and installation instructions.

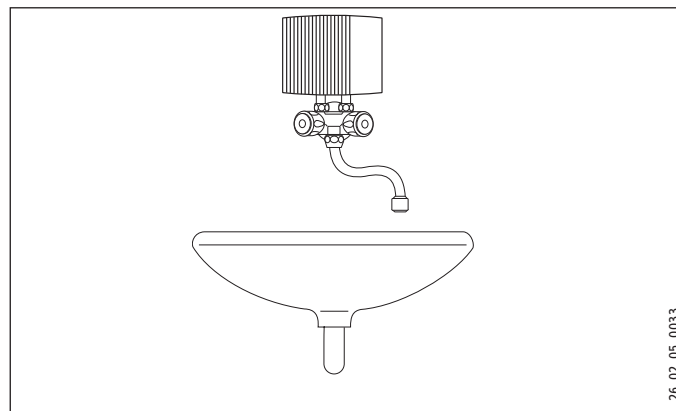
### Pressure-tested tap



#### Note

- ▶ Fit the 3/8 connection hose and the 3/8 tee provided.

### 10.2.2 Oversink installation, non-pressurised, with non-pressurised tap



### Tap installation



#### Property damage

- ▶ When making the connections, counterhold the torque on the appliance using a size 14 spanner.

- ▶ Install the tap. For this, also observe the tap operating and installation instructions.

### Appliance installation

- ▶ Fit the appliance to the tap with the water connections.

# INSTALLATION

## Installation

### 10.3 Making the electrical connection



#### **DANGER Electrocutation**

Carry out all electrical connection and installation work in accordance with relevant regulations.



#### **DANGER Electrocutation**

Ensure that the appliance is connected to the earth conductor.

Ensure the appliance can be separated from the power supply by an isolator that disconnects all poles with at least 3 mm contact separation.



#### **DANGER Electrocutation**

The appliances are delivered equipped with a power cable (EIL 3 Premium with plug).

Connection to a permanent power supply is possible, provided the fixed cable has a cross-section that is at least equal to that of the standard power cable of the appliance. The maximum permissible cross-section is 3 x 6 mm<sup>2</sup>.

- ▶ If the appliance is installed over the sink, route the power cable behind the appliance.



#### **Property damage**

When making the connection to a standard safety socket (in the case of a power cable with plug), ensure that the socket is freely accessible after the appliance has been installed.



#### **Property damage**

Observe the type plate. The specified voltage must match the mains power supply.

- ▶ Connect the power cable as shown in the wiring diagram (see chapter "Installation / Specification / Wiring diagram").

# INSTALLATION

## Commissioning

### 11. Commissioning

#### 11.1 Initial start-up



- ▶ Fill the appliance for at least one minute by running the tap several times until the pipework and appliance are free of air.
- ▶ Carry out a tightness check.
- ▶ Insert the power cable plug, if present, into the standard safety socket or set the fuse/MCB.
- ▶ Check the appliance function.
- ▶ In the case of oversink installation, affix the company logo supplied over the existing company logo.

#### 11.2 Appliance handover

- ▶ Explain the appliance function to users and familiarise them with how it works.
- ▶ Make users aware of potential dangers, especially the risk of scalding.
- ▶ Hand over these instructions.

#### 11.3 Recommissioning



##### Property damage

To ensure that the bare wire heating system is not damaged following an interruption to the water supply, the appliance must be recommissioned by taking the following steps.

- ▶ Isolate the appliance from the power supply across all poles. Pull the power cable plug, if present, from the socket, or remove the fuse/reset the MCB.
- ▶ Open and close the tap multiple times for at least one minute until the appliance and the upstream cold water supply line are free of air.
- ▶ Switch the mains power supply back on again.

#### 11.4 Settings

You can alter the maximum flow rate and temperature.



##### DANGER Electrocution

The flow rate and temperature may only be adjusted if the appliance is isolated from the power supply.

- ▶ Isolate all poles of the appliance from the power supply.

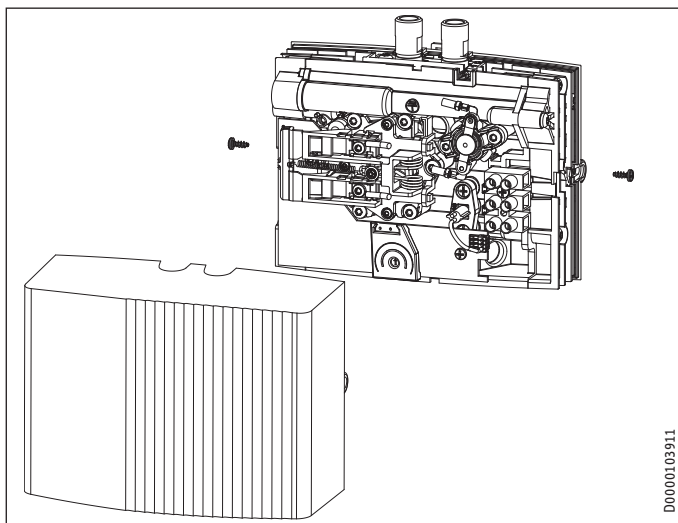
# INSTALLATION

## Commissioning



### DANGER Electrocutation

The adjusting screw for changing the flow rate and the potentiometer for setting the temperature are live if the appliance has not been isolated from the power supply.

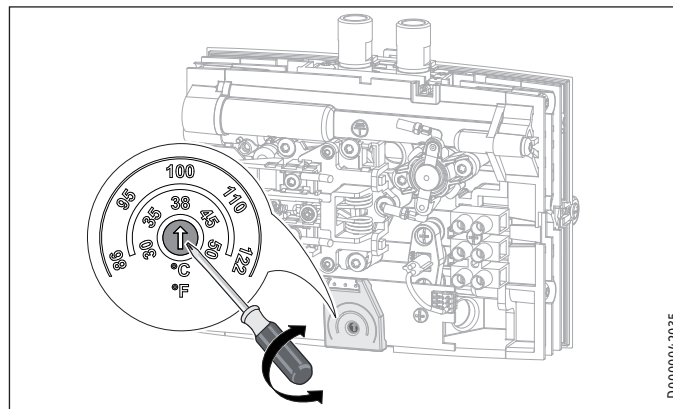


D0000103911

- ▶ Remove the appliance cover.

### Setting the maximum temperature

Factory setting: 38 °C



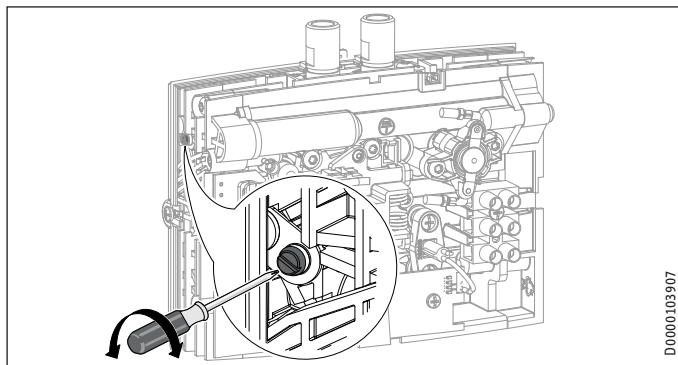
D0000042035

- ▶ Using a screwdriver, set the potentiometer to the maximum required temperature.
- ▶ Fit the appliance cover.

## Shutting down the system

### Limiting the flow rate

Factory setting: Maximum flow rate



- ▶ Using the adjusting screw, set the maximum required flow rate:
  - Lowest flow rate = wind the screw in as far as it will go.
  - Maximum flow rate = wind the screw out as far as it will go.
- ▶ Fit the appliance cover.

### 12. Shutting down the system

- ▶ Isolate the appliance from the mains power supply by means of the fuse/MCB in the distribution board or by pulling the power cable plug from the socket.
- ▶ Drain the appliance (see chapter "Installation / Maintenance").

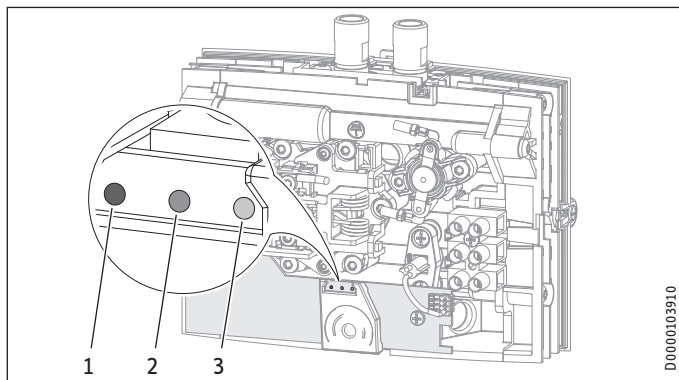
### 13. Troubleshooting

Problem	Cause	Remedy
The appliance will not start despite the DHW valve being fully open.	The aerator in the tap is scaled up or dirty.	Clean and/or descale the aerator or replace the special aerator.
	The flow rate is set too low.	Increase the flow rate.
	The strainer in the cold water line is blocked.	Clean the strainer after shutting off the cold water supply line.
	The heating system is faulty.	Check the resistance of the heating system and replace the appliance if required.
	The safety pressure limiter has responded.	Remedy the cause of the fault. Isolate the appliance from the power supply and depressurise the water line. Activate the safety pressure limiter.
The preferred temperature is not being reached. The yellow indicator flashes.	The appliance has reached its output limit.	Reduce the flow rate.

# INSTALLATION

## Troubleshooting

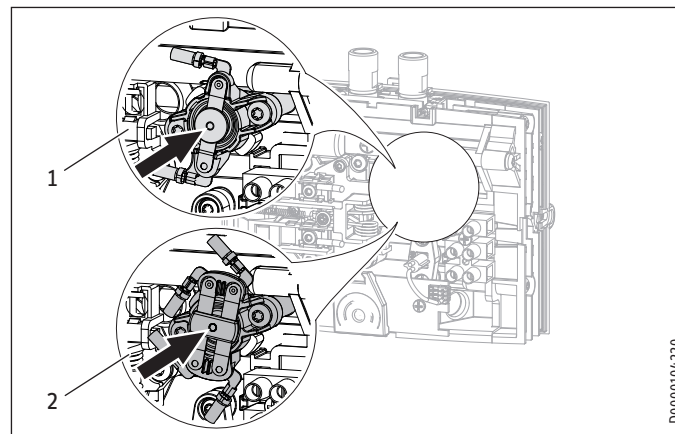
### LED indicators



D0000103910

- 1 Lights up red in the case of a fault
- 2 Indicator yellow in heating mode / flashing when the output limit is exceeded
- 3 Flashes green if the PCB is receiving power

### Activating the safety pressure limiter



D0000104220

- 1 1-pole safety pressure limiter EIL 4 Premium / EIL 6 Premium
- 2 2-pole safety pressure limiter EIL 3 Premium / EIL 7 Premium

### 14. Maintenance



**DANGER Electrocutation**  
Before any work on the appliance, disconnect all poles from the power supply.

#### 14.1 Draining the appliance



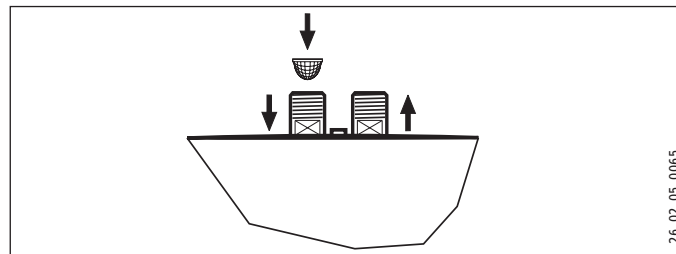
**DANGER Scalding**  
Hot water may escape when you drain the appliance.

If the appliance needs to be drained for maintenance or to protect the whole installation when there is a risk of frost, proceed as follows:

- ▶ Close the shut-off valve in the cold water inlet line.
- ▶ Open the draw-off valve.
- ▶ Undo the water connections on the appliance.

#### 14.2 Clean the strainer

You can clean the fitted strainer after removing the cold water supply line.



2 6 02 05 0065



# INSTALLATION Specification

## 14.3 Tests in accordance with VDE 0701/0702

### Earth conductor check

- ▶ Check the earth conductor (in Germany e.g. DGUV A3) on the earth conductor contact of the power cable and on the appliance connector.

### Insulation resistance

Due to the electronic control of this appliance, an insulation resistance test to VDE 0701/0702 cannot be carried out.

- ▶ To check the effectiveness of the insulating properties of the appliance, we recommend conducting a differential current test of the earth conductor current / leakage current to VDE 0701/0702 (Fig. C.3b).

## 14.4 Appliance storage

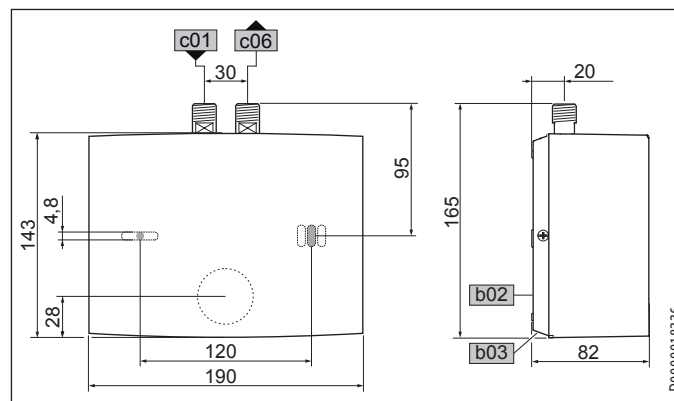
- ▶ Store the dismantled appliance free from the risk of frost, as water residues remaining inside the appliance can freeze and cause damage.

## 14.5 Replacing the power cable for the EIL 6 Premium

- ▶ If replacing the power cable for the EIL 6 Premium, use a power cable with 4 mm<sup>2</sup> cross-section.

## 15. Specification

### 15.1 Dimensions and connections

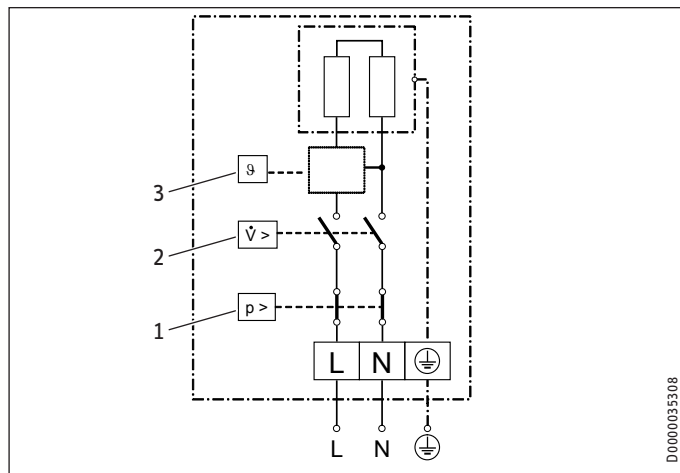


		EIL Premium
b02	Entry electrical cables I	
b03	Entry electrical cables II	
c01	Cold water inlet	Male thread G 3/8 A
c06	DHW outlet	Male thread G 3/8 A

# INSTALLATION Specification

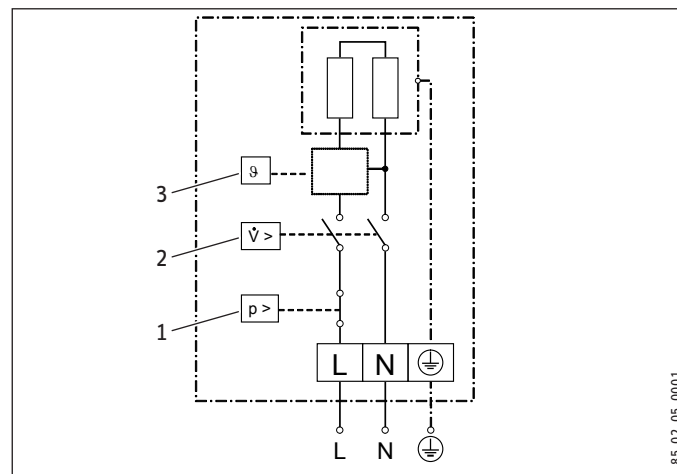
## 15.2 Wiring diagram

### 15.2.1 EIL 3 Premium 1/N/PE ~ 200-240 V



- 1 Safety pressure limiter
- 2 Pressure differential switch
- 3 PCB with outlet temperature sensor

### 15.2.2 EIL 4 Premium and EIL 6 Premium 1/N/PE ~ 200-240 V



- 1 Safety pressure limiter
- 2 Pressure differential switch
- 3 PCB with outlet temperature sensor

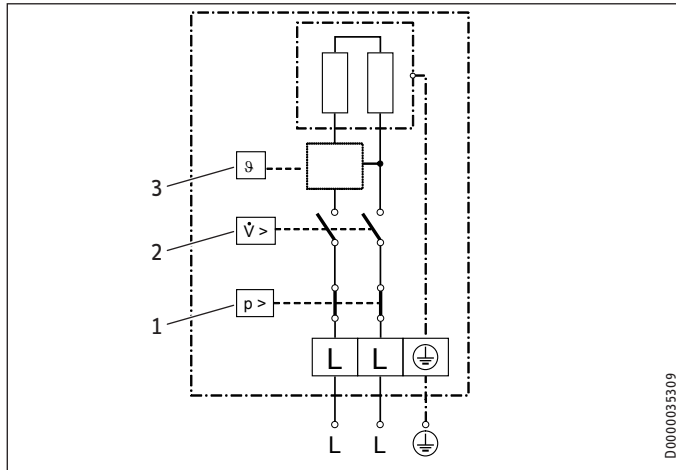


#### Property damage

- In the case of a permanent power supply, connect the power cable according to the designations on the socket terminals.

# INSTALLATION Specification

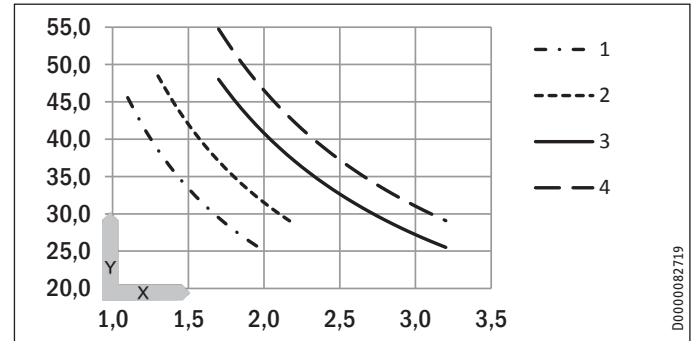
## 15.2.3 EIL 7 Premium 2/PE ~ 380-400 V



- 1 Safety pressure limiter
- 2 Pressure differential switch
- 3 PCB with outlet temperature sensor

## 15.3 Temperature increase

At 230 V / 400 V, the following water temperature increases occur:



X Flow rate in l/min  
Y Temperature increase in K

- 1 3.5 kW - 230 V
- 2 4.4 kW - 230 V
- 3 5.7 kW - 230 V
- 4 6.5 kW - 400 V

### Example EIL 3 Premium with 3.5 kW

Flow rate	l/min	2.0
Temperature increase	K	25
Cold water supply temperature	°C	12
Maximum possible outlet temperature	°C	37

# INSTALLATION

## Specification

### 15.4 Application areas

Electrical resistivity and electrical conductivity, see "Installation / Specification / Data table"

Standard specification at 15 °C			20 °C			25 °C		
Resistivity $\rho \geq$	Conductivity $\sigma \leq$		Resistivity $\rho \geq$	Conductivity $\sigma \leq$		Resistivity $\rho \geq$	Conductivity $\sigma \leq$	
$\Omega \text{ cm}$	mS/m	$\mu\text{S/cm}$	$\Omega \text{ cm}$	mS/m	$\mu\text{S/cm}$	$\Omega \text{ cm}$	mS/m	$\mu\text{S/cm}$
1000	100	1000	890	112	1124	815	123	1227
1300	77	769	1175	85	851	1072	93	933

### 15.5 Energy consumption data

Product datasheet: Conventional water heaters to regulation (EU) no. 812/2013 | 814/2013 / (S.I. 2019 No. 539 / Schedule 2)

		EIL 3 Premium	EIL 4 Premium	EIL 6 Premium	EIL 7 Premium
		200134	200135	200136	200137
Manufacturer		STIEBEL ELTRON	STIEBEL ELTRON	STIEBEL ELTRON	STIEBEL ELTRON
Load profile		XXS	XXS	XXS	XS
Energy efficiency class		A	A	A	A
Energy conversion efficiency	%	39	39	39	40
Annual power consumption	kWh	478	478	478	467
Default temperature setting	°C	38	38	38	38
Sound power level	dB(A)	15	15	15	15
Special information on measuring efficiency		none	none	none	none
Daily power consumption	kWh	2.200	2.200	2.200	2.130

# INSTALLATION Specification

## 15.6 Data table

		EIL 3 Premium				EIL 4 Premium				EIL 6 Premium				EIL 7 Premium	
		200134				200135				200136				200137	
<b>Electrical data</b>															
Rated voltage	V	200	220	230	240	200	220	230	240	200	220	230	240	380	400
Rated output	kW	2.7	3.2	3.53	3.8	3.3	4.0	4.4	4.8	4.3	5.2	5.7	6.2	5.9	6.5
Rated current	A	13.3	14.5	15.2	15.8	16.7	18.2	19.1	20.0	21.6	23.6	24.7	25.8	15.5	16.3
Fuse protection	A	16				20				25	25	25	32	16	20
Frequency	Hz	50/60				50/60				50/60				50/-	
Phases		1/N/PE				1/N/PE				1/N/PE				2/PE	
Resistivity $\rho_{15} \geq$ (at $\vartheta_{\text{cold}} \leq 25$ °C)	$\Omega$ cm	1000				1000				1000				1000	
Conductivity $\sigma_{15} \leq$ (at $\vartheta_{\text{cold}} \leq 25$ °C)	$\mu\text{S/cm}$	1000				1000				1000				1000	
Resistivity $\rho_{15} \geq$ (at $\vartheta_{\text{cold}} > 25$ °C)	$\Omega$ cm	1300				1300				1300				1300	
Conductivity $\sigma_{15} \leq$ (at $\vartheta_{\text{cold}} > 25$ °C)	$\mu\text{S/cm}$	770				770				770				770	
Max. mains impedance at 50 Hz	$\Omega$	0.091	0.083	0.079	0.076	0.072	0.065	0.063	0.06	0.056	0.051	0.049	0.047	0.236	0.225
<b>Connections</b>															
Water connection		G 3/8 A				G 3/8 A				G 3/8 A				G 3/8 A	
<b>Application limits</b>															
Max. permissible pressure	MPa	1				1				1				1	
Max. inlet temperature for reheating	°C	50				50				50				50	
<b>Values</b>															
Max. permissible inlet temperature	°C	55				55				55				55	
Temperature setting range, DHW	°C	30-50				30-50				30-50				30-50	
On	l/min	>1.5				>1.8				>2.2				>2.2	
Pressure drop at flow rate	MPa	0.05				0.06				0.07				0.07	
Flow rate for pressure drop	l/min	1.5				1.8				2.2				2.2	
Flow rate limit at	l/min	2.0				2.2				3.2				3.2	
DHW delivery	l/min	2.0				2.2				3.2				3.7	
$\Delta\vartheta$ on delivery	K	25				25				25				25	

# INSTALLATION Specification

		EIL 3 Premium	EIL 4 Premium	EIL 6 Premium	EIL 7 Premium
<b>Hydraulic data</b>					
Nominal capacity	l	0.1	0.1	0.1	0.1
<b>Versions</b>					
Oversink installation		X	X	X	X
Undersink installation		X	X	X	X
Open vented type		X	X	X	X
Sealed unvented type		X	X	X	X
Protection class		1	1	1	1
Insulating block		Plastic	Plastic	Plastic	Plastic
Heating system, heat generator		Bare wire	Bare wire	Bare wire	Bare wire
Cover and back panel		Plastic	Plastic	Plastic	Plastic
Colour		white	white	white	white
IP rating		IP 25	IP 25	IP 25	IP 25
<b>Dimensions</b>					
Height	mm	143	143	143	143
Width	mm	190	190	190	190
Depth	mm	82	82	82	82
Length of connecting cable	mm	700	700	700	700
<b>Weights</b>					
Weight	kg	1.5	1.5	1.5	1.5



## Note

The appliance conforms to IEC 61000-3-12.

### Guarantee

The guarantee conditions of our German companies do not apply to appliances acquired outside of Germany. In countries where our subsidiaries sell our products a guarantee can only be issued by those subsidiaries. Such guarantee is only granted if the subsidiary has issued its own terms of guarantee. No other guarantee will be granted.

We shall not provide any guarantee for appliances acquired in countries where we have no subsidiary to sell our products. This will not affect warranties issued by any importers.

### Environment and recycling

- ▶ Dispose of the appliances and materials after use in accordance with national regulations.



- ▶ If a crossed-out waste bin is pictured on the appliance, take the appliance to your local waste and recycling centre or nearest retail take-back point for reuse and recycling.



This document is made of recyclable paper.

- ▶ Dispose of the document at the end of the appliance's life cycle in accordance with national regulations.

## REMARQUES PARTICULIÈRES

### UTILISATION

<b>1. Remarques générales</b>	<b>29</b>
1.1 Consignes de sécurité	29
1.2 Autres pictogrammes utilisés dans cette documentation	30
1.3 Unités de mesure	30
<b>2. Sécurité</b>	<b>31</b>
2.1 Utilisation conforme	31
2.2 Consignes de sécurité générales	31
2.3 Label de conformité	31
<b>3. Description de l'appareil</b>	<b>32</b>
<b>4. Réglages</b>	<b>32</b>
<b>5. Nettoyage, entretien et maintenance</b>	<b>32</b>
<b>6. Aide au dépannage</b>	<b>33</b>

### INSTALLATION

<b>7. Sécurité</b>	<b>34</b>
7.1 Consignes de sécurité générales	34
7.2 Prescriptions, normes et réglementations	34
<b>8. Description de l'appareil</b>	<b>34</b>
8.1 Fournitures	34
8.2 Accessoires	35
<b>9. Travaux préparatoires</b>	<b>35</b>
<b>10. Montage</b>	<b>35</b>
10.1 Lieu d'installation	35
10.2 Variantes de pose	36

10.3 Réalisation du raccordement électrique	39
<b>11. Mise en service</b>	<b>40</b>
11.1 Première mise en service	40
11.2 Remise de l'appareil à l'utilisateur	40
11.3 Remise en service	40
11.4 Réglages	40
<b>12. Mise hors service</b>	<b>42</b>
<b>13. Aide au dépannage</b>	<b>42</b>
<b>14. Maintenance</b>	<b>44</b>
14.1 Vidange de l'appareil	44
14.2 Nettoyer le filtre	44
14.3 Contrôles selon VDE 0701/0702	44
14.4 Stockage de l'appareil	45
14.5 Remplacement du câble de raccordement électrique sur le EIL 6 Premium	45
<b>15. Données techniques</b>	<b>45</b>
15.1 Cotes et raccordements	45
15.2 Schéma électrique	46
15.3 Augmentation de la température	47
15.4 Plages d'utilisation	48
15.5 Indications relatives à la consommation énergétique	48
15.6 Tableau des données	49

## GARANTIE

## ENVIRONNEMENT ET RECYCLAGE



# REMARQUES PARTICULIÈRES

- L'appareil peut être utilisé par les enfants à partir de 3 ans, ainsi que par des personnes aux facultés physiques, sensorielles ou mentales réduites, ou par des personnes sans expérience, s'ils sont sous surveillance ou qu'ils ont été formés à l'utilisation en toute sécurité de l'appareil, et s'ils ont compris les dangers encourus. Ne laissez pas les enfants jouer avec l'appareil. Ne confiez pas le nettoyage ni les opérations de maintenance réservées aux utilisateurs à des enfants sans surveillance.
- En fonctionnement, la température de la robinetterie peut atteindre 55 °C. Danger de brûlures à des températures de sortie supérieures à 43 °C.
- L'appareil doit pouvoir être mis hors tension par un dispositif de coupure omnipolaire ayant une ouverture minimale des contacts de 3 mm.
- La tension indiquée doit correspondre à la tension du secteur.
- L'appareil doit être raccordé en permanence à un câblage fixe, à l'exception d'EIL 3 Premium.
- L'appareil doit être raccordé au conducteur de mise à la terre.
- En cas de détérioration ou pour le remplacement du câble d'alimentation, veuillez n'utiliser que des pièces de rechange d'origine et faire appel à un professionnel agréé par le fabricant.
- Fixez l'appareil comme indiqué dans le chapitre « Installation / Montage ».

### Remarques générales

- Tenez compte de la pression admissible maximale (voir chapitre « Installation / Données techniques / Tableau des données »).
- La résistance hydraulique spécifique du réseau de distribution d'eau doit être atteinte (voir le chapitre « Installation / Données techniques / Tableau de données »).
- Vidangez l'appareil comme indiqué au chapitre « Installation / Maintenance / Vidange de l'appareil ».

## UTILISATION

### 1. Remarques générales

Les chapitres « Remarques particulières » et « Utilisation » s'adressent aux utilisateurs et aux professionnels.

Le chapitre « Installation » s'adresse aux installateurs.



#### Remarque

Lisez attentivement cette notice avant utilisation et conservez-la soigneusement.

Le cas échéant, remettez cette notice à tout nouvel utilisateur.

### 1.1 Consignes de sécurité

#### 1.1.1 Présentation des consignes de sécurité



#### MENTION D'AVERTISSEMENT Nature du danger




Sont indiqués ici les risques éventuellement encourus en cas de non-respect de la consigne de sécurité.

- Indique les mesures permettant de prévenir le danger.

## UTILISATION

### Remarques générales

#### 1.1.2 Symboles, nature du danger

Symbole	Nature du danger
	Blessure
	Électrocution
	Brûlure (brûlure, ébouillement)

#### 1.1.3 Mentions d'avertissement

MENTION D'AVERTISSEMENT	Signification
DANGER	Caractérise des remarques dont le non-respect entraîne de graves lésions, voire la mort.
AVERTISSEMENT	Caractérise des remarques dont le non-respect peut entraîner de graves lésions, voire la mort.
ATTENTION	Caractérise des remarques dont le non-respect peut entraîner des lésions légères ou moyennement graves.



#### 1.2 Autres pictogrammes utilisés dans cette documentation



##### Remarque

Le symbole ci-contre caractérise des remarques générales.

► Lisez attentivement les consignes.

Symbole	Signification
	Dommages matériels (endommagement de l'appareil, dommages consécutifs, pollution de l'environnement)
	Mise au rebut de l'appareil

► Ce symbole indique que vous devez prendre des mesures. Les actions requises sont décrites étape par étape.

#### 1.3 Unités de mesure



##### Remarque

Sauf indication contraire, toutes les cotes sont exprimées en millimètres.

## 2. Sécurité

### 2.1 Utilisation conforme

L'appareil sert au chauffage de l'eau sanitaire ou au chauffage d'appoint d'une eau préchauffée. Il convient pour un lave-mains.

L'appareil est conçu pour une utilisation domestique. Son utilisation est sans risque pour les personnes qui ne disposent pas de connaissances techniques particulières. L'appareil peut également être utilisé dans un environnement non domestique, par exemple dans de petites entreprises, à condition que son utilisation soit de même nature.

Toute autre utilisation est considérée comme non conforme. Une utilisation conforme de l'appareil implique également le respect de cette notice et de celles des accessoires utilisés.

### 2.2 Consignes de sécurité générales



#### **DANGER Brûlure**

En fonctionnement, la température de la robinetterie peut atteindre 55 °C.

Danger de brûlures à des températures de sortie supérieures à 43 °C.



#### **AVERTISSEMENT Blessure**

L'appareil peut être utilisé par les enfants à partir de 3 ans, ainsi que par des personnes aux facultés physiques, sensorielles ou mentales réduites, ou par des personnes sans expérience, s'ils sont sous surveillance ou qu'ils ont été formés à l'utilisation en toute sécurité de l'appareil, et s'ils ont compris les dangers encourus. **Ne laissez pas les enfants jouer avec l'appareil. Ne confiez pas le nettoyage ni les opérations de maintenance réservées aux utilisateurs à des enfants sans surveillance.**



#### **DANGER Électrocution**

Faites remplacer immédiatement tout câble de raccordement électrique endommagé ou défectueux par un installateur. Cette précaution écarte tout risque potentiel.



#### **Dommages matériels**

Protégez l'appareil et la robinetterie du gel.



#### **Dommages matériels**

Utilisez uniquement le mousseur spécial fourni. Évitez l'entartrage des becs de robinetterie (voir le chapitre « Utilisation / Nettoyage, entretien et maintenance »).

### 2.3 Label de conformité

Voir la plaque signalétique sur l'appareil.

### 3. Description de l'appareil

Ce mini chauffe-eau instantané à régulation électronique maintient une température de sortie constante dans les limites de sa puissance nominale, quelle que soit la température d'arrivée d'eau.

L'appareil est réglé en usine sur la température de sortie nécessaire au lavage des mains. Lorsque la température est atteinte, le système électronique réduit automatiquement la puissance. La puissance est adaptée à la température souhaitée, ce qui fait qu'elle n'est pas dépassée.

L'appareil chauffe l'eau directement au point de soutirage dès que la robinetterie est ouverte. Grâce aux faibles longueurs des conduites, les pertes d'énergie et d'eau sont réduites.

La capacité de production d'eau chaude dépend de la température de l'eau froide, de la puissance de chauffe et du débit.

Le système de chauffe à fil nu convient à l'eau calcaire et non calcaire. Le système de chauffe est largement résistant au tartre. Il garantit une mise à disposition rapide et efficace de l'eau chaude au lave-mains.

L'installateur peut régler les valeurs maximales de la température et du débit volumique (voir le chapitre « Installation / Mise en service / Réglages »).

En installant le mousseur spécial fourni, vous obtenez un jet optimal.

### 4. Réglages

Dès que vous ouvrez le robinet d'eau chaude de la robinetterie ou que la sonde d'une robinetterie à capteur est activée, le système de chauffe de l'appareil est automatiquement activé. L'eau est chauffée. Vous pouvez modifier la température de l'eau à l'aide de la robinetterie.

Pour le débit d'enclenchement et la limitation du débit volumique, voir le chapitre « Installation / Données techniques / Tableau des données ».

#### Augmentation de la température

- ▶ Réduisez le débit à l'aide de la robinetterie.

#### Diminution de la température

- ▶ Continuez à ouvrir la robinetterie. Ajoutez plus d'eau froide.

#### Après une coupure d'eau

Voir chapitre « Installation / Mise en service / Remise en service ».

### 5. Nettoyage, entretien et maintenance

- ▶ N'utilisez aucun produit de nettoyage abrasif ou corrosif. Un chiffon humide suffit pour le nettoyage et l'entretien de l'appareil.
- ▶ Contrôlez régulièrement les robinetteries. Vous pouvez éliminer le tartre au niveau des becs de robinetterie avec les produits de détartrage du commerce.

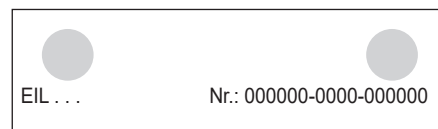
## Aide au dépannage

- ▶ Faites contrôler régulièrement la sécurité électrique de l'appareil par un installateur.
- ▶ Détartrez ou remplacez régulièrement le mousseur spécial dans la robinetterie (voir le chapitre « Installation / Description de l'appareil / Accessoires »).

### 6. Aide au dépannage

Problème	Cause	Remède
L'appareil ne démarre pas, bien que le robinet d'eau chaude soit entièrement ouvert.	L'appareil n'est pas sous tension.	Contrôlez le fusible / disjoncteur au tableau électrique.
	Le mousseur de la robinetterie est entartré ou encrassé.	Procédez au nettoyage et/ou au détartrage du mousseur, ou bien remplacez-le par un modèle spécial.
	L'alimentation en eau est coupée.	Purgez l'appareil et la conduite d'arrivée d'eau froide (voir le chapitre « Installation / Mise en service / Remise en service »).
La température souhaitée n'est pas atteinte.	La température maximale est réglée trop bas dans l'appareil.	Faites régler la température maximale par un installateur.
	L'appareil a atteint la limite de puissance.	Réduisez le débit volumique.

Appelez votre installateur si vous ne réussissez pas à résoudre le problème. Pour obtenir une aide efficace et rapide, communiquez-lui le numéro indiqué sur la plaque signalétique (000000-0000-00000).



# INSTALLATION

## 7. Sécurité

L'installation, la mise en service, la maintenance et la réparation de cet appareil sont exclusivement réservées aux professionnels.

### 7.1 Consignes de sécurité générales

Nous garantissons le bon fonctionnement et la sécurité de fonctionnement de l'appareil uniquement si les accessoires et pièces de rechange utilisés sont d'origine.



#### Dommages matériels

Tenez compte de la température maximale d'arrivée d'eau. L'appareil peut subir des détériorations en cas de températures trop élevées. L'installation d'une robinetterie thermostatique centralisée permet de limiter la température maximale d'arrivée d'eau.



#### AVERTISSEMENT Électrocution

Cet appareil contient des condensateurs qui se déchargent après la mise hors tension. La tension de décharge des condensateurs peut dépasser temporairement 34 V CC.

## 7.2 Prescriptions, normes et réglementations



#### Remarque

Respectez toutes les prescriptions et réglementations nationales et locales en vigueur.

La résistance électrique spécifique de l'eau ne doit pas être inférieure à celle indiquée sur la plaque signalétique. Pour un réseau interconnecté, vous devez prendre en compte la résistance électrique la plus faible de l'eau (voir chapitre « Installation / Données techniques / Tableau des données »). Votre société distributrice est en mesure de fournir les informations relatives à la résistance électrique spécifique ou à la conductivité électrique de l'eau.

## 8. Description de l'appareil

### 8.1 Fournitures

Sont fournis avec l'appareil :

- Filtre dans l'arrivée d'eau froide
- Mousseur spécial
- Flexible de raccordement 3/8, 500 mm de longueur, avec joints d'étanchéité\*
- Pièce en T 3/8\*
- Logo de la société pour le montage sur évier

\* pour le raccordement en tant qu'appareil sous pression

### 8.2 Accessoires

#### Mousseur spécial



#### Remarque

Lorsque le mousseur spécial est installé dans la robinetterie, vous obtenez un jet d'eau optimal.

#### Robinetteries à écoulement libre

- MAW (OT) - Robinetterie murale pour montage sur évier
- MAZ (UT) - Robinetterie de lavabo à deux poignées
- MAE-W (UTE) - Robinetterie de lavabo monocommande

#### Robinetteries sous pression

Des robinetteries sous pression adaptées sont disponibles dans le commerce spécialisé.

## 9. Travaux préparatoires

- ▶ Rincez soigneusement la conduite d'eau.

#### Installation hydraulique

Aucun groupe de sécurité n'est nécessaire.

#### Robinetteries

- ▶ Utilisez des robinetteries adaptées.

## 10. Montage

### 10.1 Lieu d'installation

Installez l'appareil dans un local hors gel à proximité du robinet du point de soutirage.

Veillez à ce que les vis de fixation latérales du capot soient accessibles.

L'appareil est conçu pour un montage sous évier (raccordement hydraulique par le haut) et pour un montage sur évier (raccordement hydraulique par le bas).



#### **DANGER Électrocution**

**La vis de réglage du débit volumique est sous tension. L'indice de protection IP 25 n'est assuré que si la paroi arrière de l'appareil est montée.**

- ▶ Montez toujours la paroi arrière de l'appareil.



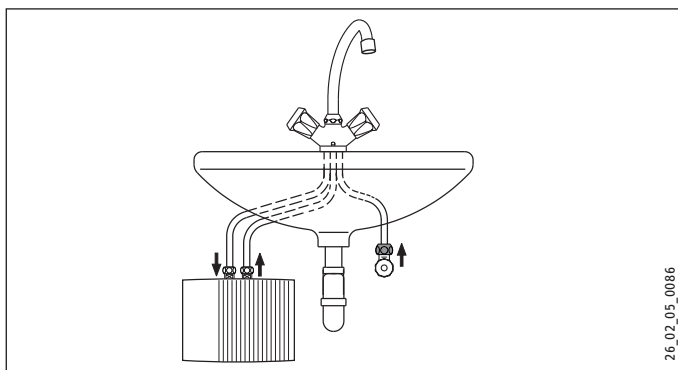
# INSTALLATION

## Montage

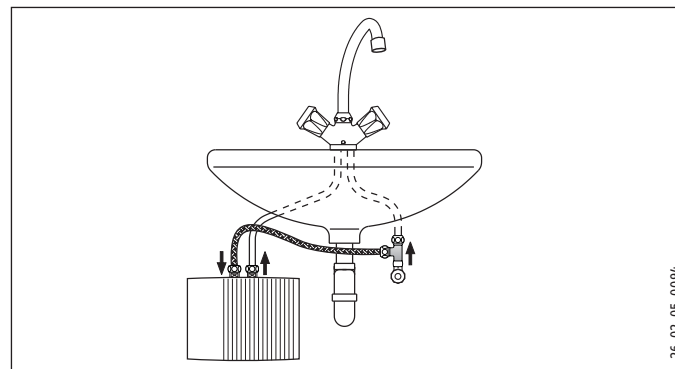
### 10.2 Variantes de pose

#### 10.2.1 Montage sous évier

Écoulement libre, avec robinetterie à écoulement libre



### Sous pression, avec robinetterie sous pression



# INSTALLATION

## Montage

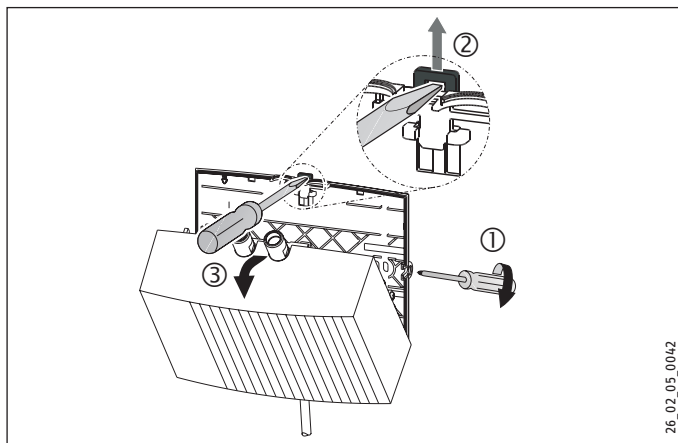
### Pose de l'appareil



#### Remarque

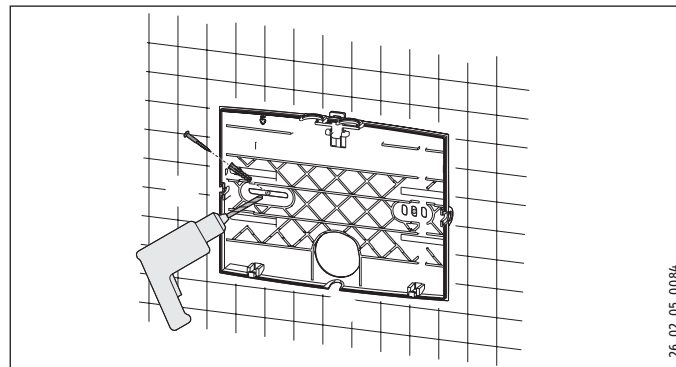
Le mur doit être suffisamment porteur.

- Fixez l'appareil au mur.



- Desserrez sur deux tours les vis de fixation du capot.
- Déverrouillez le bouchon à déclit à l'aide d'un tournevis.
- Retirez le capot de l'appareil avec le système de chauffe par l'avant.

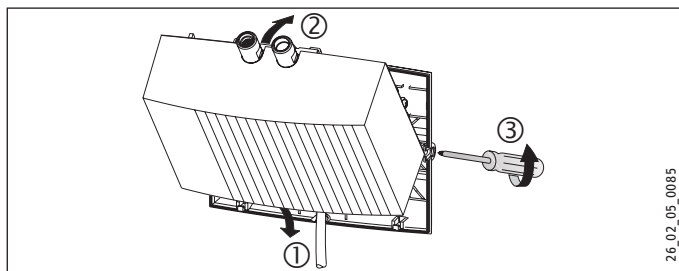
- Rompez l'ouverture de passage du câble de raccordement électrique dans le capot de l'appareil à l'aide d'une pince. Ébavurez les contours avec une lime au besoin.



- Utilisez la paroi arrière de l'appareil comme gabarit de perçage.
- Fixez la paroi arrière de l'appareil au mur à l'aide des vis et des chevilles.

# INSTALLATION

## Montage



- ▶ Passez le câble de raccordement électrique par le l'orifice de la paroi arrière.
- ▶ Accrochez le bas du capot avec le système de chauffe.
- ▶ Encliquez le système de chauffe dans le bouchon à dé clic.
- ▶ Fixez le capot à l'aide de ses vis de fixation.

### Pose de la robinetterie



#### Dommages matériels

- ▶ Lors du montage des raccords, la partie côté appareil doit impérativement être maintenue à l'aide d'une clé d'ouverture 14.
- ▶ Posez la robinetterie. Tenez compte des notices d'utilisation et d'installation de la robinetterie.

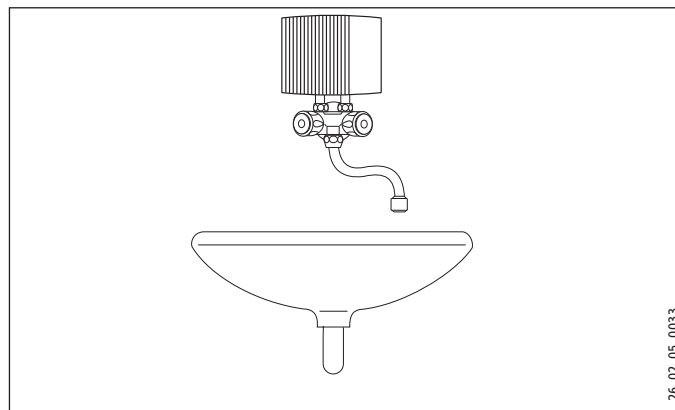
### Robinetterie sous pression



#### Remarque

- ▶ Installez le flexible de raccordement 3/8 et la pièce en T 3/8 fournis.

### 10.2.2 Montage sur évier à écoulement libre, avec robinetterie à écoulement libre



# INSTALLATION

## Montage

### Pose de la robinetterie



#### Dommages matériels

► Lors du montage des raccords, la partie côté appareil doit impérativement être maintenue à l'aide d'une clé d'ouverture 14.

- Posez la robinetterie. Tenez compte des notices d'utilisation et d'installation de la robinetterie.

### Pose de l'appareil

- Posez l'appareil avec les raccordements hydrauliques montés sur la robinetterie.

## 10.3 Réalisation du raccordement électrique



#### DANGER Électrocution

Exécutez tous les travaux de raccordement et d'installation électriques conformément aux prescriptions.



#### DANGER Électrocution

Veillez à ce que l'appareil soit relié à la terre. L'appareil doit pouvoir être mis hors tension par un dispositif de coupure omnipolaire ayant une ouverture minimale des contacts de 3 mm.



#### DANGER Électrocution

Les appareils sont équipés d'origine d'un câble de raccordement électrique (EIL 3 Premium avec fiche). Il est possible de brancher l'appareil sur une ligne électrique fixe à condition que celle-ci présente des conducteurs d'une section au moins égale à celle du cordon de l'appareil. Ces conducteurs doivent avoir une section de 3 x 6 mm<sup>2</sup> au maximum.

- Si l'appareil est monté sur l'évier, vous devez faire passer le câble d'alimentation électrique derrière l'appareil.



#### Dommages matériels

Si vous branchez l'appareil sur une prise secteur 2P+T (dans le cas d'un cordon d'alimentation avec fiche), veillez à ce que celle-ci reste accessible une fois l'appareil installé.



#### Dommages matériels

Tenez compte des indications figurant sur la plaque signalétique. La tension indiquée doit correspondre à la tension du secteur.

- Raccordez le câble de raccordement électrique selon le schéma électrique (voir le chapitre « Installation / Données techniques / Schéma électrique »).

### 11. Mise en service

#### 11.1 Première mise en service



- ▶ Remplissez l'appareil en au moins une minute par plusieurs soutirages en ouvrant la robinetterie jusqu'à ce que la conduite d'arrivée d'eau et l'appareil soient totalement purgés.
- ▶ Effectuez un contrôle d'étanchéité.
- ▶ Branchez la fiche du cordon dans la prise secteur 2P+T ou enclenchez le disjoncteur.
- ▶ Contrôlez le fonctionnement de l'appareil.
- ▶ Si l'appareil est monté sur l'évier, vous devez coller le logo de la société fourni sur le logo existant.

#### 11.2 Remise de l'appareil à l'utilisateur

- ▶ Expliquez les différentes fonctions de l'appareil à l'utilisateur, puis aidez-le à se familiariser avec son utilisation.
- ▶ Indiquez à l'utilisateur les risques encourus, notamment le danger de brûlures.
- ▶ Remettez-lui cette notice.

### 11.3 Remise en service



#### Dommages matériels

Afin d'éviter la destruction du système de chauffe à fil nu après une coupure d'eau, procédez selon les étapes suivantes pour remettre l'appareil en service.

- ▶ Mettez l'appareil hors tension sur tous les pôles. Débranchez la fiche du cordon de la prise secteur ou déclenchez le disjoncteur.
- ▶ Ouvrez et fermez plusieurs fois en au moins une minute la robinetterie jusqu'à ce que l'appareil et la conduite d'arrivée d'eau froide en amont soient purgés.
- ▶ Rétablissez la tension secteur.

### 11.4 Réglages

Vous pouvez modifier les valeurs maximales du débit volumique et de la température.



#### DANGER Électrocution

Le changement du réglage du débit volumique et de la température n'est autorisé que si l'appareil est coupé du secteur.

- ▶ Débranchez tous les pôles de l'appareil raccordés au secteur.

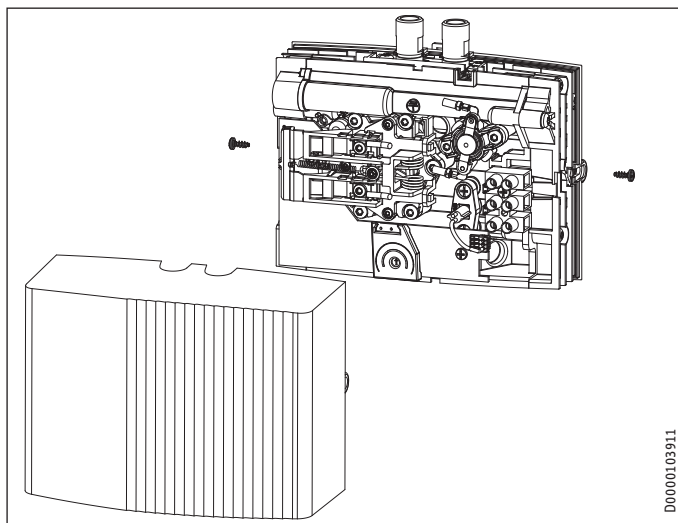
# INSTALLATION

## Mise en service



### DANGER Électrocution

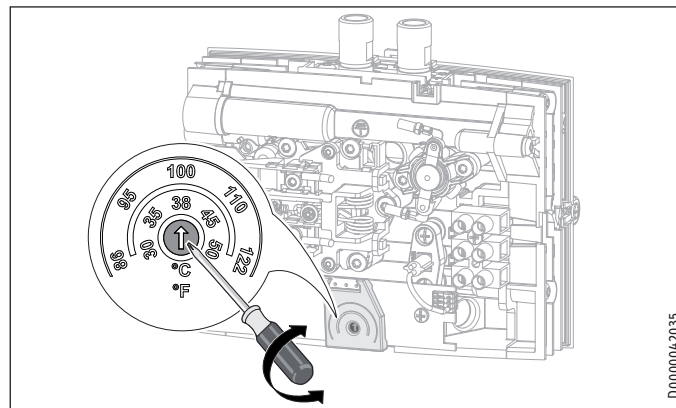
La vis de réglage du débit volumique et le potentiomètre de réglage de la température sont sous tension si l'appareil n'est pas coupé du secteur.



- Retirez le capot.

### Réglage de la température maximale

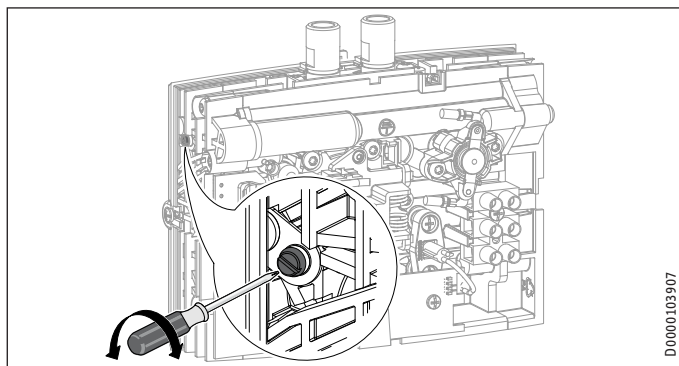
Réglage d'usine : 38 °C



- Réglez le potentiomètre sur la température maximale souhaitée à l'aide d'un tournevis.
- Reposez le capot.

### Limitation du débit volumique

Réglage d'usine : Débit volumique maximal



- ▶ Réglez le débit volumique maximal souhaité à l'aide de la vis de réglage :
  - Le plus petit débit = visser la vis jusqu'en butée.
  - Débit volumique maximal = dévisser la vis jusqu'en butée.
- ▶ Reposez le capot.

### 12. Mise hors service

- ▶ Séparez l'appareil du secteur à l'aide du disjoncteur de l'installation domestique ou débranchez la fiche du cordon d'alimentation.
- ▶ Vidangez l'appareil (voir chapitre « Installation / Maintenance »).

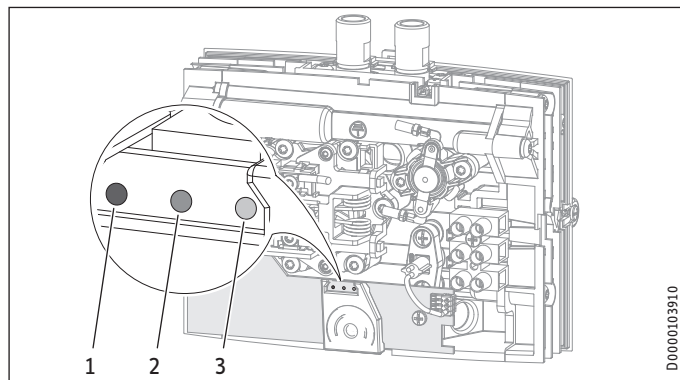
### 13. Aide au dépannage

Problème	Cause	Remède
L'appareil ne démarre pas, bien que le robinet d'eau chaude soit entièrement ouvert.	Le mousseur de la robinetterie est entartré ou encrassé.	Procédez au nettoyage et/ou au détartrage du mousseur, ou bien remplacez-le par un modèle spécial.
	Le débit est réglé trop bas.	Augmentez le débit.
	Le filtre de l'arrivée d'eau froide est colmaté.	Nettoyez le filtre après avoir coupé l'arrivée d'eau froide.
	Le système de chauffe est défectueux.	Mesurez la résistance du système de chauffe et, le cas échéant, remplacez l'appareil.
	Le pressostat de sécurité s'est déclenché.	Supprimez l'origine du défaut. Mettez l'appareil hors tension, puis faites chuter totalement la pression dans la conduite d'eau. Activez le pressostat de sécurité.
La température souhaitée n'est pas atteinte. L'affichage jaune clignote.	L'appareil a atteint la limite de puissance.	Réduisez le débit volumique.

# INSTALLATION

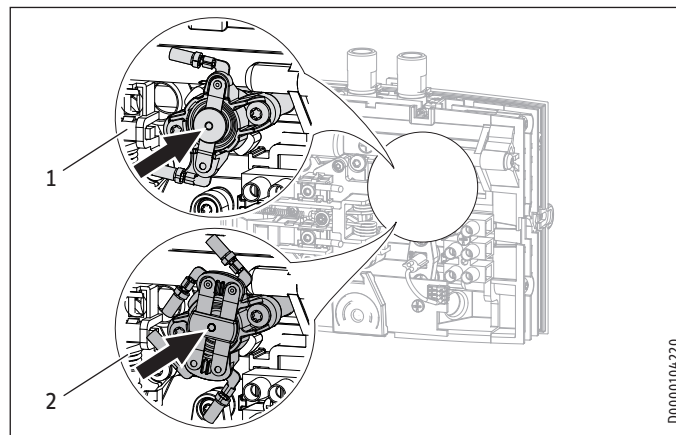
## Aide au dépannage

### Voyants à diodes électroluminescentes



- 1 Voyant rouge allumé, perturbation
- 2 Voyant jaune en mode chauffage / clignotant au-dessus de la limite de puissance
- 3 Voyant vert clignotant, alimentation électrique de l'électronique

### Activation du pressostat de sécurité



- 1 Pressostat de sécurité à 1 pôle EIL 4 Premium / EIL 6 Premium
- 2 Pressostat de sécurité à 2 pôles EIL 3 Premium / EIL 7 Premium



### 14. Maintenance



**DANGER Électrocution**

Avant toute intervention, débranchez l'appareil sur tous les pôles.

#### 14.1 Vidange de l'appareil



**DANGER Brûlure**

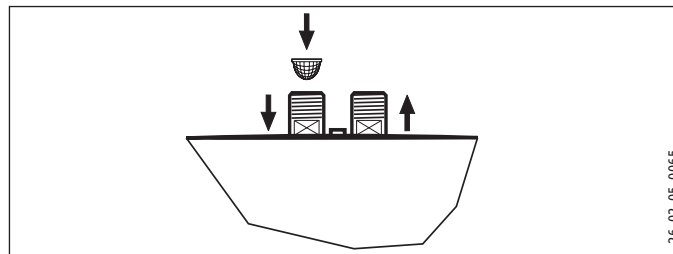
Lors de la vidange de l'appareil, de l'eau brûlante peut s'en échapper.

Si l'appareil doit être vidangé pour les travaux de maintenance ou en vue de protéger l'ensemble de l'installation en cas de risque de gel, veuillez procéder comme suit :

- ▶ Fermez le robinet d'arrêt de l'arrivée d'eau froide.
- ▶ Ouvrez le robinet de soutirage.
- ▶ Desserrez les raccords hydrauliques de l'appareil.

#### 14.2 Nettoyer le filtre

Vous pouvez nettoyer le filtre intégré une fois que la conduite de raccordement d'eau froide a été démontée.



#### 14.3 Contrôles selon VDE 0701/0702

##### Contrôle du conducteur de mise à la terre

- ▶ Contrôlez le conducteur de terre (en Allemagne p. ex. DGUV A3) au contact du conducteur de terre sur la ligne électrique et au manchon de raccordement de l'appareil.

### Résistance d'isolement

En raison de la commande électronique de cet appareil, il est impossible d'effectuer une mesure de résistance d'isolement conformément à la norme VDE 0701/0702.

- ▶ Dans le but de vérifier l'efficacité des propriétés d'isolement de cet appareil, nous recommandons d'effectuer une mesure du différentiel courant de terre / courant de fuite selon la norme VDE 0701/0702 (Figure C.3b).

### 14.4 Stockage de l'appareil

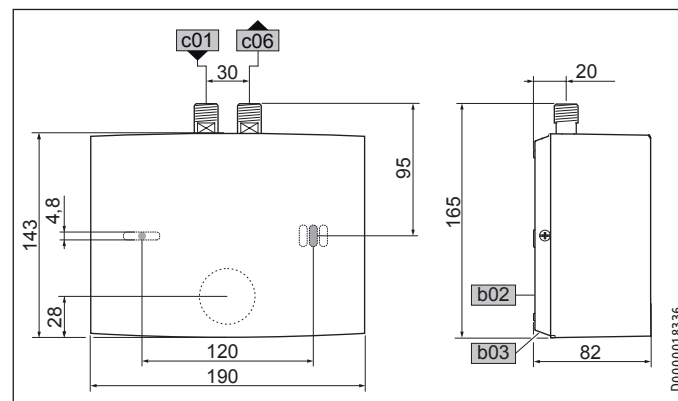
- ▶ Veillez à protéger du gel tout appareil déposé, car celui-ci contient encore de l'eau pouvant geler et provoquer des dommages.

### 14.5 Remplacement du câble de raccordement électrique sur le EIL 6 Premium

- ▶ Sur l'EIL 6 Premium, en cas de remplacement, vous devez utiliser un câble de raccordement électrique de 4 mm<sup>2</sup>.

## 15. Données techniques

### 15.1 Cotes et raccords



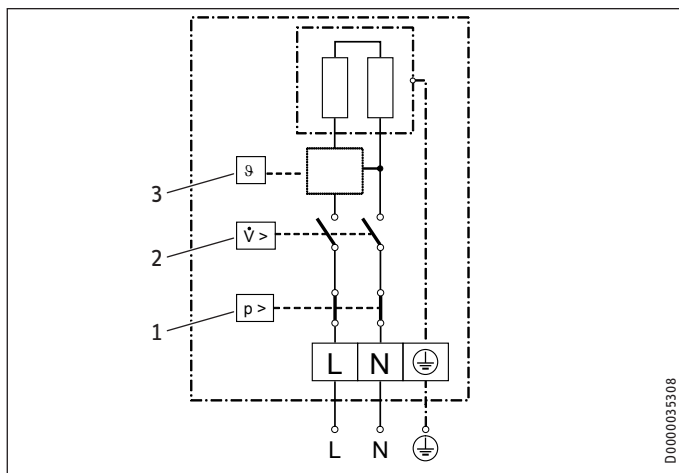
		EIL Premium
b02	Passage des câbles électriques I	
b03	Passage des câbles électriques II	
c01	Arrivée eau froide	Filetage mâle G 3/8 A
c06	Sortie eau chaude	Filetage mâle G 3/8 A

# INSTALLATION

## Données techniques

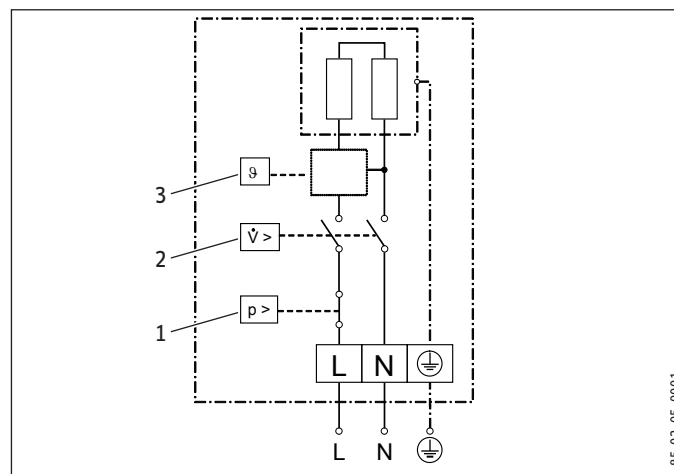
### 15.2 Schéma électrique

#### 15.2.1 EIL 3 Premium 1/N/PE ~ 200-240 V



- 1 Pressostat de sécurité
- 2 Pressostat différentiel
- 3 Électronique avec sonde de température de sortie

#### 15.2.2 EIL 4 Premium et EIL 6 Premium 1/N/PE ~ 200-240 V



- 1 Pressostat de sécurité
- 2 Pressostat différentiel
- 3 Électronique avec sonde de température de sortie



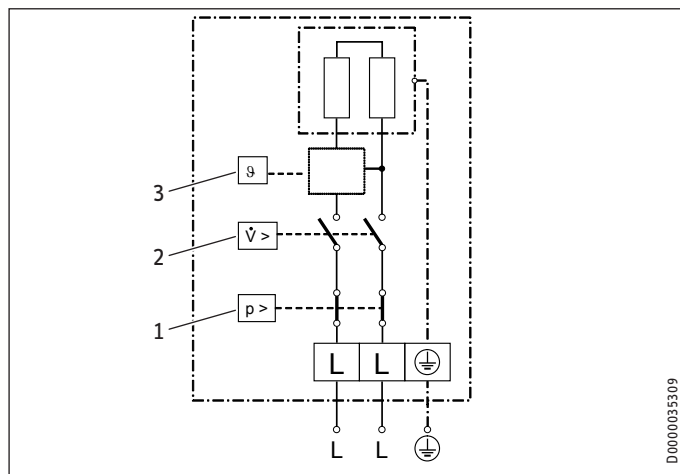
#### **Dommages matériels**

- Dans le cas d'une alimentation électrique par installation fixe, branchez le câble de raccordement électrique selon l'affectation des bornes indiquée sur le schéma.

# INSTALLATION

## Données techniques

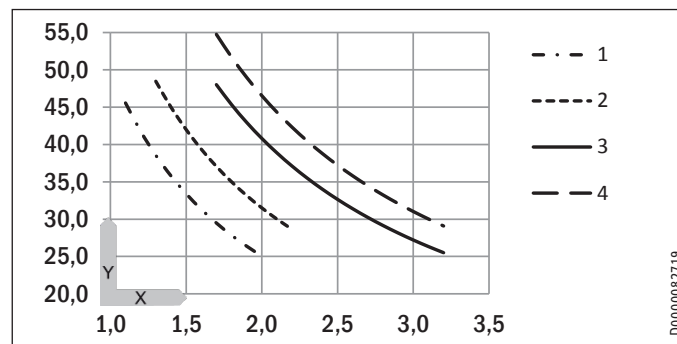
### 15.2.3 EIL 7 Premium 2/PE ~ 380-400 V



- 1 Pressostat de sécurité
- 2 Pressostat différentiel
- 3 Électronique avec sonde de température de sortie

### 15.3 Augmentation de la température

Avec une tension secteur de 230 V / 400 V, on obtient les hausses de température de l'eau suivantes :



X Débit volumique en l/min  
Y Hausse de température en K

- 1 3,5 kW - 230 V
- 2 4,4 kW - 230 V
- 3 5,7 kW - 230 V
- 4 6,5 kW - 400 V

#### Exemple EIL 3 Premium avec 3,5 kW

Débit volumique	l/min	2,0
Augmentation de la température	K	25
Température d'arrivée eau froide	°C	12
Température de sortie maximale possible eau chaude	°C	37

### 15.4 Plages d'utilisation

Résistance électrique spécifique et conductivité électrique spécifique, voir « Installation / Données techniques / Tableau des données »

Indication normalisée à 15 °C			20 °C			25 °C		
Résistance $\rho \geq$	Conductivité $\sigma \leq$		Résistance $\rho \geq$	Conductivité $\sigma \leq$		Résistance $\rho \geq$	Conductivité $\sigma \leq$	
	$\Omega \text{ cm}$	$\text{mS/m}$ / $\mu\text{S/cm}$		$\Omega \text{ cm}$	$\text{mS/m}$ / $\mu\text{S/cm}$		$\Omega \text{ cm}$	$\text{mS/m}$ / $\mu\text{S/cm}$
1000	100	1000	890	112	1124	815	123	1227
1300	77	769	1175	85	851	1072	93	933

### 15.5 Indications relatives à la consommation énergétique

Fiche produit : Chauffe-eau conventionnels selon règlement (UE) n° 812/2013 | 814/2013

		EIL 3 Premium	EIL 4 Premium	EIL 6 Premium	EIL 7 Premium
		200134	200135	200136	200137
		STIEBEL ELTRON	STIEBEL ELTRON	STIEBEL ELTRON	STIEBEL ELTRON
Fabricant		STIEBEL ELTRON	STIEBEL ELTRON	STIEBEL ELTRON	STIEBEL ELTRON
Profil de soutirage		XXS	XXS	XXS	XS
Classe d'efficacité énergétique		A	A	A	A
Efficacité énergétique pour le chauffage de l'eau par conditions climatiques moyennes	%	39	39	39	40
Consommation annuelle d'électricité	kWh	478	478	478	467
Réglage d'usine de la température	°C	38	38	38	38
Niveau de puissance acoustique	dB(A)	15	15	15	15
Indication spécifique pour la mesure de l'efficacité		aucun	aucun	aucun	aucun
Consommation journalière d'électricité	kWh	2,200	2,200	2,200	2,130

# INSTALLATION

## Données techniques

### 15.6 Tableau des données

		EIL 3 Premium				EIL 4 Premium				EIL 6 Premium				EIL 7 Premium	
		200134				200135				200136				200137	
<b>Données électriques</b>															
Tension nominale	V	200	220	230	240	200	220	230	240	200	220	230	240	380	400
Puissance nominale	kW	2,7	3,2	3,53	3,8	3,3	4,0	4,4	4,8	4,3	5,2	5,7	6,2	5,9	6,5
Courant nominal	A	13,3	14,5	15,2	15,8	16,7	18,2	19,1	20,0	21,6	23,6	24,7	25,8	15,5	16,3
Protection (électrique)	A	16				20				25	25	25	32	16	20
Fréquence	Hz	50/60				50/60				50/60				50/-	
Phases		1/N/PE				1/N/PE				1/N/PE				2/PE	
Résistance spécifique $\rho_{15} \geq$ (pour $\vartheta_{\text{froid}} \leq 25$ °C)	$\Omega$ cm	1000				1000				1000				1000	
Conductivité spécifique $\sigma_{15} \leq$ (pour $\vartheta_{\text{froid}} \leq 25$ °C)	$\mu\text{S/cm}$	1000				1000				1000				1000	
Résistance spécifique $\rho_{15} \geq$ (pour $\vartheta_{\text{froid}} > 25$ °C)	$\Omega$ cm	1300				1300				1300				1300	
Conductivité spécifique $\sigma_{15} \leq$ (pour $\vartheta_{\text{froid}} > 25$ °C)	$\mu\text{S/cm}$	770				770				770				770	
Impédance de réseau maximale à 50 Hz	$\Omega$	0,091	0,083	0,079	0,076	0,072	0,065	0,063	0,06	0,056	0,051	0,049	0,047	0,236	0,225
<b>Raccords</b>															
Raccordement hydraulique		G 3/8 A				G 3/8 A				G 3/8 A				G 3/8 A	
<b>Limites d'utilisation</b>															
Pression max. admissible	MPa	1				1				1				1	
Température maximale d'arrivée d'eau pour chauffage d'appoint	°C	50				50				50				50	
<b>Valeurs</b>															
Température d'arrivée max. admissible	°C	55				55				55				55	
Plage de réglage de température eau chaude	°C	30-50				30-50				30-50				30-50	
On	l/min	>1,5				>1,8				>2,2				>2,2	
Perte de charge avec débit	MPa	0,05				0,06				0,07				0,07	
Débit pour pertes de charge	l/min	1,5				1,8				2,2				2,2	
Limitation du débit à	l/min	2,0				2,2				3,2				3,2	
Eau chaude à disposition	l/min	2,0				2,2				3,2				3,7	

# INSTALLATION

## Données techniques

		EIL 3 Premium	EIL 4 Premium	EIL 6 Premium	EIL 7 Premium
$\Delta\theta$ pour mise à disposition	K	25	25	25	25
<b>Données hydrauliques</b>					
Capacité nominale	l	0,1	0,1	0,1	0,1
<b>Versions</b>					
Montage sur évier		X	X	X	X
Type de montage sous évier		X	X	X	X
Construction à écoulement libre		X	X	X	X
Construction sous pression		X	X	X	X
Classe de protection		1	1	1	1
Bloc isolant		Matériaux de synthèse	Matériaux de synthèse	Matériaux de synthèse	Matériaux de synthèse
Générateur de chaleur système de chauffage		Fil nu	Fil nu	Fil nu	Fil nu
Cache et paroi arrière		Matériaux de synthèse	Matériaux de synthèse	Matériaux de synthèse	Matériaux de synthèse
Couleur		Blanc	Blanc	Blanc	Blanc
Indice de protection (IP)		IP 25	IP 25	IP 25	IP 25
<b>Dimensions</b>					
Hauteur	mm	143	143	143	143
Largeur	mm	190	190	190	190
Profondeur	mm	82	82	82	82
Longueur du câble de raccordement	mm	700	700	700	700
<b>Poids</b>					
Poids	kg	1,5	1,5	1,5	1,5



### Remarque

L'appareil est conforme à la norme CEI 61000-3-12.

## Garantie

Les conditions de garantie de nos sociétés allemandes ne s'appliquent pas aux appareils achetés hors d'Allemagne. Au contraire, c'est la filiale chargée de la distribution de nos produits dans le pays qui est seule habilitée à accorder une garantie. Une telle garantie ne pourra cependant être accordée que si la filiale a publié ses propres conditions de garantie. Il ne sera accordé aucune garantie par ailleurs.

Nous n'accordons aucune garantie pour les appareils achetés dans des pays où aucune filiale de notre société ne distribue nos produits. D'éventuelles garanties accordées par l'importateur restent inchangées.

## Environnement et recyclage

▶ Après usage, procédez à l'élimination des appareils et des matériaux conformément à la réglementation nationale.



▶ Si un symbole de poubelle barrée est reproduit sur l'appareil, apportez-le à un point de collecte communal ou un point de reprise du commerce pour qu'il y soit réutilisé ou recyclé.

### Petits appareils électriques



### Gros électroménager (livraison individuelle sur palette)



### Documentation papier





## BIJZONDERE INFO

### BEDIENING

<b>1. Algemene aanwijzingen</b>	<b>54</b>
1.1 Veiligheidsaanwijzingen	54
1.2 Andere aandachtspunten in deze documentatie	55
1.3 Maateenheden	55
<b>2. Veiligheid</b>	<b>56</b>
2.1 Reglementair gebruik	56
2.2 Algemene veiligheidsaanwijzingen	56
2.3 Keurmerk	56
<b>3. Toestelbeschrijving</b>	<b>57</b>
<b>4. Instellingen</b>	<b>57</b>
<b>5. Reiniging, verzorging en onderhoud</b>	<b>58</b>
<b>6. Problemen verhelpen</b>	<b>58</b>

### INSTALLATIE

<b>7. Veiligheid</b>	<b>59</b>
7.1 Algemene veiligheidsaanwijzingen	59
7.2 Voorschriften, normen en bepalingen	59
<b>8. Toestelbeschrijving</b>	<b>59</b>
8.1 Leveringsomvang	59
8.2 Toebehoren	60
<b>9. Voorbereidingen</b>	<b>60</b>
<b>10. Montage</b>	<b>60</b>
10.1 Montageplaats	60
10.2 Montageopties	61

10.3 Elektriciteit aansluiten	64
<b>11. Ingebruikname</b>	<b>65</b>
11.1 Eerste ingebruikname	65
11.2 Overdracht van het toestel	65
11.3 Nieuwe ingebruikname	65
11.4 Instellingen	65
<b>12. Buitendienststelling</b>	<b>67</b>
<b>13. Storingen verhelpen</b>	<b>67</b>
<b>14. Onderhoud</b>	<b>69</b>
14.1 Toestel aftappen	69
14.2 Zeef reinigen	69
14.3 Controles volgens VDE 0701/0702	70
14.4 Opslag van het toestel	70
14.5 De elektrische aansluitkabel bij de EIL 6 Premium vervangen	70
<b>15. Technische gegevens</b>	<b>70</b>
15.1 Afmetingen en aansluitingen	70
15.2 Elektrisch schakelschema	71
15.3 Temperatuurverhoging	72
15.4 Toepassingsmogelijkheden	73
15.5 Gegevens over het energieverbruik	73
15.6 Gegevenstabel	74

### GARANTIE

### MILIEU EN RECYCLING

## BIJZONDERE INFO

- Het toestel kan door kinderen vanaf 3 jaar, alsook door personen met fysieke, zintuiglijke of geestelijke beperkingen of met een gebrek aan ervaring en kennis worden gebruikt op voorwaarde dat er iemand toezicht houdt, of dat ze zijn geïnstrueerd hoe ze het toestel veilig moeten gebruiken en begrijpen welke gevaren hiermee gepaard gaan. Kinderen mogen niet met het toestel spelen. Kinderen mogen zonder toezicht het toestel niet reinigen noch gebruikersonderhoudstaken uitvoeren.
- De temperatuur van de kraan kan bij gebruik oplopen tot 55 °C. Bij uitlooptemperaturen van meer dan 43 °C bestaat gevaar voor brandwonden.
- Het toestel moet op alle polen met een afstand van minstens 3 mm van de aansluiting van de netvoeding kunnen worden losgekoppeld.
- De aangegeven spanning moet overeenkomen met de netspanning.
- Het toestel moet permanent op een vaste bedrading worden aangesloten, uitzondering EIL 3 Premium.
- Het toestel moet worden aangesloten op de aardleiding.
- De stroomkabel mag bij beschadiging of vervanging alleen worden vervangen door een origineel onderdeel en door een installateur die daartoe door de fabrikant gemachtigd is.
- Monteer het toestel zoals is beschreven in het hoofdstuk "Installatie/montage".

### Algemene aanwijzingen

---

- Neem de maximaal toegelaten druk in acht (zie hoofdstuk "Installatie/technische gegevens/gegevenstabel").
- De specifieke waterweerstand van het watervoorzieningsnetwerk mag niet onderschreden worden (zie hoofdstuk "Installatie/technische gegevens/gegevenstabel").
- Tap het toestel af zoals is beschreven in het hoofdstuk "Installatie/onderhoud/het toestel aftappen".

## BEDIENING

### 1. Algemene aanwijzingen

De hoofdstukken "Bijzondere info" en "Bediening" zijn bedoeld voor de gebruiker van het toestel en voor de installateur.

Het hoofdstuk "Installatie" is bedoeld voor de installateur.



#### Info

Lees deze handleiding voor gebruik zorgvuldig door en bewaar deze.

Overhandig de handleiding eventueel aan een volgende gebruiker.

---

### 1.1 Veiligheidsaanwijzingen

#### 1.1.1 Opbouw van veiligheidsaanwijzingen



#### TREFWOORD Soort gevaar

Hier worden de mogelijke gevolgen vermeld, wanneer de veiligheidsaanwijzingen worden genegeerd.

► Hier staan maatregelen om gevaren te voorkomen.

# BEDIENING

## Algemene aanwijzingen

### 1.1.2 Symbolen, soort gevaar

Symbool	Soort gevaar
	Letsel
	Elektrische schok
	Verbranding (Verbranding, verschroeïng)

### 1.1.3 Trefwoorden

TREFWOORD	Betekenis
GEVAAR	Aanwijzingen die leiden tot zwaar letsel of overlijden, wanneer deze niet in acht worden genomen.
WAARSCHUWING	Aanwijzingen die kunnen leiden tot zwaar letsel of overlijden, wanneer deze niet in acht worden genomen.
VOORZICHTIG	Aanwijzingen die kunnen leiden tot middelmatig zwaar of licht letsel, wanneer deze niet in acht worden genomen.



### 1.2 Andere aandachtspunten in deze documentatie



#### Info

Algemene aanwijzingen worden aangeduid met het hiernaast afgebeelde symbool.

► Lees de aanwijzingsteksten grondig door.

Symbool	Betekenis
	Materiële schade (toestel-, gevolg-, milieuschade)
	Het toestel afdanken

► Dit symbool geeft aan dat u iets moet doen. De vereiste handelingen worden stap voor stap beschreven.

### 1.3 Maateenheden



#### Info

Tenzij anders vermeld, worden alle afmetingen in millimeter aangegeven.

## 2. Veiligheid

### 2.1 Reglementair gebruik

Het toestel is geschikt voor de opwarming van drinkwater of voor de naverwarming van water dat is voorverwarmd. Het toestel is bedoeld voor een handwastafel.

Het toestel is bestemd voor gebruik in een huishoudelijke omgeving. Het kan op een veilige manier worden bediend door ongeschoolde personen. Het toestel kan ook buiten het huishouden worden gebruikt, bijv. in een klein bedrijf, voor zover het op dezelfde wijze wordt gebruikt.

Elk ander gebruik dat verder gaat dan wat hier wordt omschreven, geldt als niet reglementair. Onder reglementair gebruik valt ook het in acht nemen van deze handleiding alsmede de handleidingen voor het gebruikte toebehoren.

### 2.2 Algemene veiligheidsaanwijzingen



#### GEVAAR voor verschroeïng

De temperatuur van de kraan kan bij gebruik oplopen tot 55 °C.

Bij uitlooptemperaturen van meer dan 43 °C bestaat gevaar voor brandwonden.



#### WAARSCHUWING letsel

Het toestel kan door kinderen vanaf 3 jaar, alsook door personen met fysieke, zintuiglijke of geestelijke beperkingen of met een gebrek aan ervaring en kennis worden gebruikt op voorwaarde dat er iemand toezicht houdt, of dat ze zijn geïnstrueerd hoe ze het toestel veilig moeten gebruiken en begrijpen welke gevaren hiermee gepaard gaan. Kinderen mogen niet met het toestel spelen. Kinderen mogen zonder toezicht het toestel niet reinigen noch gebruikersonderhoudstaken uitvoeren.



#### GEVAAR voor elektrische schok

Een beschadigde elektrische aansluitkabel moet door een vakman worden vervangen. Daardoor worden mogelijke risico's uitgesloten.



#### Materiële schade

Bescherm het toestel en de kraan tegen vorst.



#### Materiële schade

Gebruik alleen de meegeleverde speciale straalregelaar. Voorkom verkalking aan de kraanuitlopen (zie hoofdstuk "Bediening/reiniging, verzorging en onderhoud").

### 2.3 Keurmerk

Zie het typeplaatje op het toestel.

### 3. Toestelbeschrijving

De elektronisch geregelde mini-doorstomer houdt de uitlooptemperatuur tot aan de vermogensgrens constant, onafhankelijk van de aanvoertemperatuur.

Het toestel is in de fabriek ingesteld op de voor het wassen van de handen noodzakelijke uitlooptemperatuur. Wanneer de temperatuur wordt bereikt, vermindert de elektronica het vermogen automatisch. Het vermogen wordt aangepast aan de gewenste temperatuur, dus wordt de temperatuur niet overschreden.

Het toestel verwarmt het water direct bij het tappunt, zodra de kraan wordt opengedraaid. Door het korte leidingtraject ontstaan slechts weinig energie- en waterverliezen.

Het warmwatervermogen is afhankelijk van de koudwaterinlooptemperatuur, het verwarmingsvermogen en het doorstroomvolume.

Het blankdraadelement is geschikt voor kalkarm en kalkhoudend water. Het verwarmingssysteem is in grote mate ongevoelig voor verkalking. Het verwarmingssysteem zorgt voor een snelle en efficiënte warmwateraanbieding aan de handwastafel.

De vakman kan de minimale waarden voor temperatuur en debiet instellen (zie hoofdstuk "Installatie/ingebruikname/instellingen").

De inbouw van de meegeleverde speciale straalregelaar resulteert in een optimale waterstraal.

### 4. Instellingen

Zodra u de warmwaterkraan opendraait of de sensor van een sensorkraan activeert, wordt automatisch het verwarmingssysteem van het toestel ingeschakeld. Het water wordt opgewarmd. De temperatuur van het water kunt u met de kraan veranderen.

Zie voor de inschakelhoeveelheid en volumestroombegrenzing hoofdstuk "Installatie/technische gegevens/gegevenstabel".

#### Temperatuur verhogen

- Smoor het doorstroomvolume bij de kraan.

#### Temperatuur verlagen

- Open de kraan verder. Meng meer koud water bij.

#### Na onderbreking van de watertoevoer

Zie hoofdstuk "Installatie/ingebruikname/opnieuw in gebruik nemen".

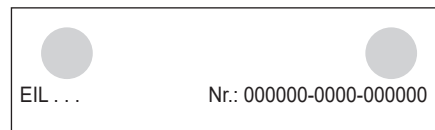
### 5. Reiniging, verzorging en onderhoud

- ▶ Gebruik geen schurende reinigingsmiddelen of reinigingsmiddelen met oplosmiddelen. Een vochtige doek volstaat om het toestel te onderhouden en te reinigen.
- ▶ Controleer de kranen regelmatig. Verwijder kalk op de kraanuitlopen met in de handel verkrijgbare ontkalkingsmiddelen.
- ▶ Laat de elektrische veiligheid van het toestel periodiek controleren door een installateur.
- ▶ Ontkalk of vernieuw de speciale straalregelaar in de kraan regelmatig (zie hoofdstuk "Installatie/toestelbeschrijving/toebehoren").

### 6. Problemen verhelpen

Probleem	Oorzaak	Oplossing
Toestel schakelt niet in, hoewel het warmwaterventiel volledig is geopend.	Het toestel heeft geen spanning.	Controleer de zekering van de huisinstallatie.
	De straalregelaar in de kraan is vuil of verkalkt.	Reinig en/of ontkalk de straalregelaar of vervang de speciale straalregelaar.
	De watervoorziening is onderbroken.	Ontlucht het toestel en de aanvoerleiding voor koud water (zie hoofdstuk "Installatie/ingebruikname/opnieuw in gebruik nemen").
De gewenste temperatuur wordt niet bereikt.	De maximumtemperatuur is in het toestel te laag ingesteld. Het toestel heeft de grens van zijn vermogen bereikt.	Laat de maximumtemperatuur opnieuw instellen door de vakman. Reduceer het debiet.

Waarschuw de installateur wanneer u de oorzaak niet zelf kunt verhelpen. Hij kan u sneller en beter helpen als u hem het nummer op het typeplaatje doorgeeft (000000-0000-000000).



# INSTALLATIE

## 7. Veiligheid

Installatie, ingebruikname, onderhoud en reparatie van het toestel mogen alleen worden uitgevoerd door een gekwalificeerde installateur.

### 7.1 Algemene veiligheidsaanwijzingen

Wij waarborgen de goede werking en de bedrijfszekerheid uitsluitend bij gebruik van origineel toebehoren en originele vervangingsonderdelen voor het toestel.



#### Materiële schade

Let op de maximale toevoertemperatuur. Bij hogere temperaturen kan het toestel beschadigd raken. Door een centrale thermostaatkraan in te bouwen, kunt u de maximale toevoertemperatuur begrenzen.



#### WAARSCHUWING elektrische schok

Dit toestel bevat condensatoren die na ontkoppeling van het stroomnet ontladen. De ontladspanning van de condensatoren kan evt. kortstondig > 34 V DC bedragen.

## 7.2 Voorschriften, normen en bepalingen



#### Info

Neem alle nationale en regionale voorschriften en bepalingen in acht.

De specifieke elektrische weerstand van het water mag niet lager zijn dan de waarde die is aangegeven op het typeplaatje. Bij een water-koppelnets moet rekening worden gehouden met de laagste elektrische weerstand van het water (zie het hoofdstuk "Installatie/technische gegevens/gegevenstabel"). De specifieke elektrische weerstand of het elektrisch geleidend vermogen van het water kunt u opvragen bij uw watermaatschappij.

## 8. Toestelbeschrijving

### 8.1 Leveringsomvang

Bij het toestel wordt het volgende geleverd:

- Zeef in de koudwatertoevoer
- Speciale straalregelaar
- Aansluitslang 3/8, 500 mm lang, met dichtingen\*
- T-stuk 3/8\*
- Bedrijfslogo voor bovenbouwmontage

\* voor de aansluiting als drukvast toestel



# INSTALLATIE

## Vorbereidingsen

### 8.2 Toebehoren

#### Speciale straalregelaar



#### Info

De inbouw van de speciale straalregelaar in de kraan resulteert in een optimale waterstraal.

#### Drukloze kranen

- MAW (OT) - muurkraan voor bovenbouw
- MAZ (UT) - tweegreepswastafelkraan
- MAE-W (UTE) - eengreepswastafelkraan

#### Drukvaste kranen

Geschikte druvaste kranen vindt u in de vakhandel.

## 9. Vorbereidingsen

- Spoel de waterleiding grondig door.

#### Waterinstallatie

Een veiligheidsventiel is niet noodzakelijk.

#### Kranen

- Gebruik geschikte kranen.

## 10. Montage

### 10.1 Montageplaats

Monteer het toestel in een vorstvrije ruimte in de nabijheid van de kraan.

Zorg ervoor dat de bevestigingsschroeven aan de zijkant van de kappen bereikbaar blijven.

Het toestel is geschikt voor onderbouw (wateraansluitingen aan de bovenkant) en bovenbouw (wateraansluitingen aan de onderkant).



#### GEVAAR voor elektrische schok

De stelschroef voor het instellen van de volumestroom staat onder spanning. De beschermingsgraad IP25 is enkel gewaarborgd als de achterwand van het toestel is gemonteerd.

- Monteer altijd de achterwand van het toestel.

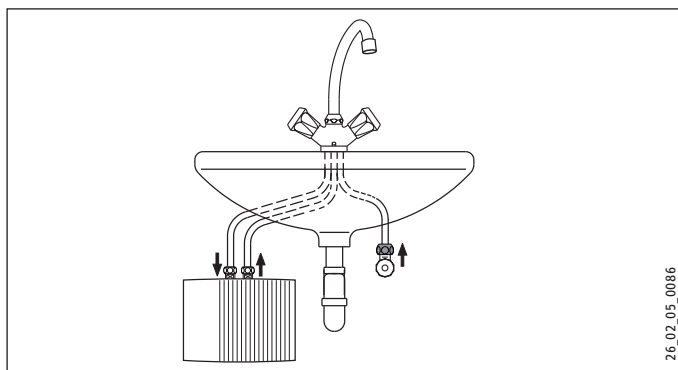
# INSTALLATIE

## Montage

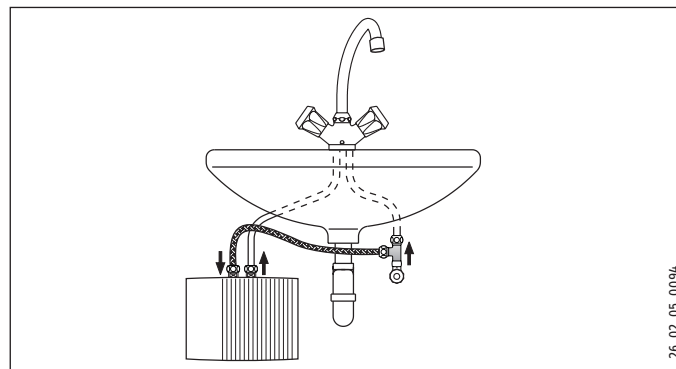
### 10.2 Montageopties

#### 10.2.1 Onderbouwmontage

##### Drukloos, met drukloze kraan



##### Drukvast, met drukvaste kraan



#### Montage van het toestel



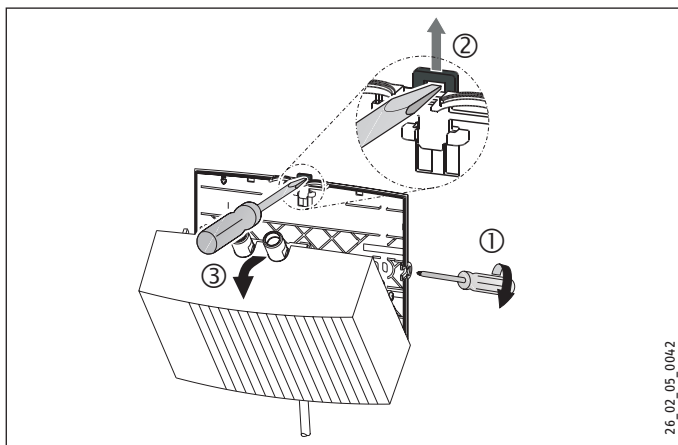
#### Info

De wand moet voldoende draagvermogen hebben.

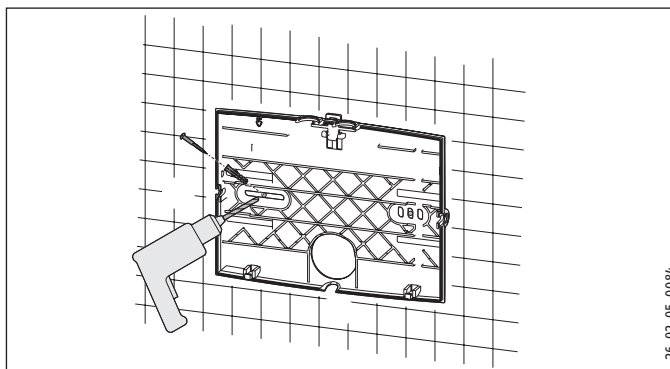
- Monteer het toestel aan de wand.

# INSTALLATIE

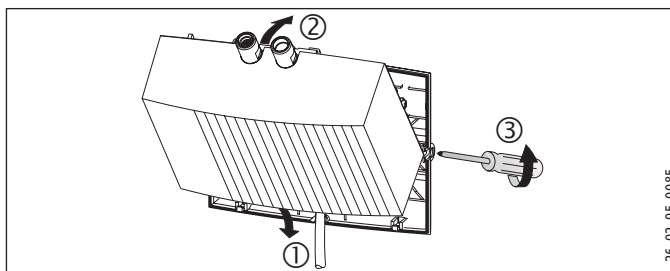
## Montage



- ▶ Draai de bevestigingsschroeven van de kapen twee slagen los.
- ▶ Ontgrendel de knipsluiting met een schroevendraaier.
- ▶ Verwijder de bovenkap met het verwarmingssysteem naar voren.
- ▶ Breek de doorvoeropening in de bovenkap voor de elektrische aansluitkabel uit met een tang. Werk de rand, indien nodig, bij met een vijl.



- ▶ Gebruik de achterwand van het toestel als boorsjabloon.
- ▶ Bevestig de achterwand met geschikte pluggen en schroeven op de muur.



- ▶ Leid de elektrische aansluitkabel door de doorvoeropening in de achterwand.

- ▶ Haak de bovenkap met het verwarmingssysteem onder in.
- ▶ Klik het verwarmingssysteem in de knipsluiting.
- ▶ Zet de bovenkap vast met de bevestigingsschroeven.

### Montage van de kraan



#### Materiële schade

- ▶ Bij het vastzetten van de aansluitingen moet u deze bij het toestel tegenhouden met een sleutel SW 14.
- ▶ Monteer de kraan. Neem de instructies in de Bedienings- en installatiehandleiding van de kraan in acht.

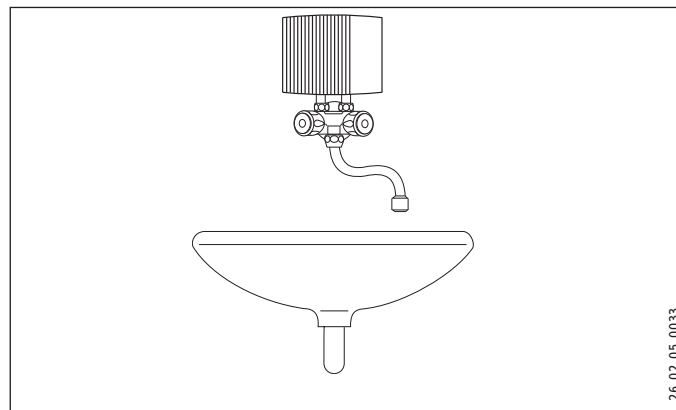
### Drukvraste kraan



#### Info

- ▶ Monteer de meegeleverde aansluitslang 3/8 en het T-stuk 3/8.

### 10.2.2 Bovenbouw, drukloos, met drukloze kraan



26\_02\_05\_0033

NEDERLANDS

### Montage van de kraan



#### Materiële schade

- ▶ Bij het vastzetten van de aansluitingen moet u deze bij het toestel tegenhouden met een sleutel SW 14.
- ▶ Monteer de kraan. Neem de instructies in de Bedienings- en installatiehandleiding van de kraan in acht.

### Montage van het toestel

- ▶ Monteer het toestel met de wateraansluitingen op de kraan.

### 10.3 Elektriciteit aansluiten



**GEVAAR** voor elektrische schok  
Voer alle werkzaamheden voor elektriciteitsaansluitingen en montage uit conform de voorschriften.



**GEVAAR** voor elektrische schok  
Zorg ervoor dat het toestel is aangesloten op de aardleiding.  
Het toestel moet op alle polen met een afstand van minstens 3 mm van de aansluiting van de netvoeding kunnen worden losgekoppeld.



**GEVAAR** voor elektrische schok  
De toestellen zijn bij levering uitgerust met een elektrische aansluitkabel (EIL 3 Premium met stekker). Een aansluiting op een vaste elektrische kabel is mogelijk, als die minstens dezelfde diameter heeft als de standaardaansluitkabel. De maximale kabeldiameter bedraagt 3 x 6 mm<sup>2</sup>.  
► Bij een bovenbouwmontage van het toestel moet de elektrische aansluitkabel achter het toestel worden geleid.



**Materiële schade**  
Zorg er bij aansluiting op een geaard stopcontact (bij toepassing van een elektrische aansluitkabel met stekker) voor dat het geaarde stopcontact na installatie van het toestel vrij toegankelijk is.



**Materiële schade**  
Let op het typeplaatje. De aangegeven spanning moet overeenkomen met de netspanning.

- Sluit de elektrische aansluitkabel aan volgens het elektrisch schema (zie hoofdstuk "Installatie/technische gegevens/elektriciteitsschema").

### 11. Ingebruikname

#### 11.1 Eerste ingebruikname



- ▶ Vul het toestel binnen één minuut door meerdere keren water af te tappen via de kraan tot het leidingnet en het toestel luchtvrij zijn.
- ▶ Voer een dichtheidscontrole uit.
- ▶ Steek de stekker van de elektrische aansluitkabel, als die is toegepast, in het geaarde stopcontact of schakel de zekering in.
- ▶ Controleer de werkmodus van het toestel.
- ▶ Bij een bovenbouwmontage moet u het meegeleverde bedrijfslogo over het bedrijfslogo plakken.

#### 11.2 Overdracht van het toestel

- ▶ Leg aan de gebruiker de werking van het toestel uit en leer hem het gebruik ervan kennen.
- ▶ Wijs de gebruiker op mogelijke gevaren, met name het gevaar voor brandwonden.
- ▶ Overhandig hem deze handleiding.

#### 11.3 Nieuwe ingebruikname



##### Materiële schade

Om te vermijden dat het blankdraadelement na onderbreking van de watervoorziening beschadigd raakt, moet het toestel met behulp van de volgende procedure weer in werking worden gesteld.

- ▶ Schakel het toestel op alle polen spanningsvrij. Trek de stekker van de elektrische aansluitkabel, als die is toegepast, uit het geaarde stopcontact of schakel de zekering uit.
- ▶ Open en sluit binnen ten minste één minuut meerdere keren de kraan, totdat het toestel en de voorgeschakelde toevoerleiding voor koud water luchtvrij zijn.
- ▶ Schakel de netspanning opnieuw in.

#### 11.4 Instellingen

U kunt de maximale waarden voor temperatuur en debiet wijzigen.



##### GEVAAR voor elektrische schok

Instellen van andere waarden voor debiet en temperatuur is alleen toegestaan, wanneer het toestel is losgekoppeld van het stroomnet.

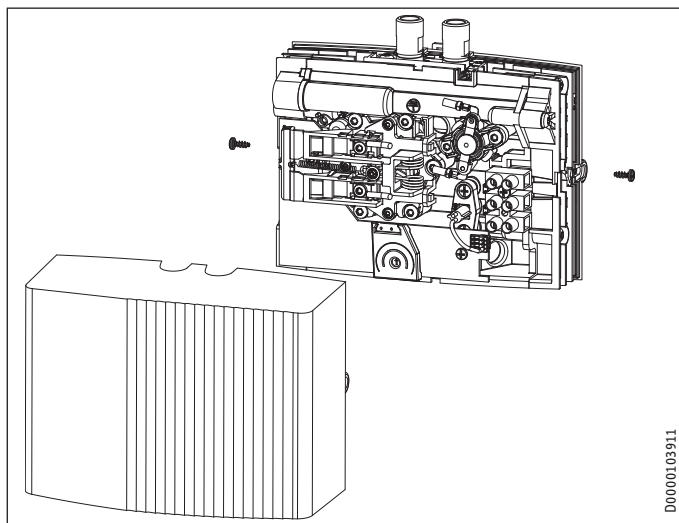
- ▶ Koppel het toestel op alle polen los van het stroomnet.

# INSTALLATIE

## Ingebruikname



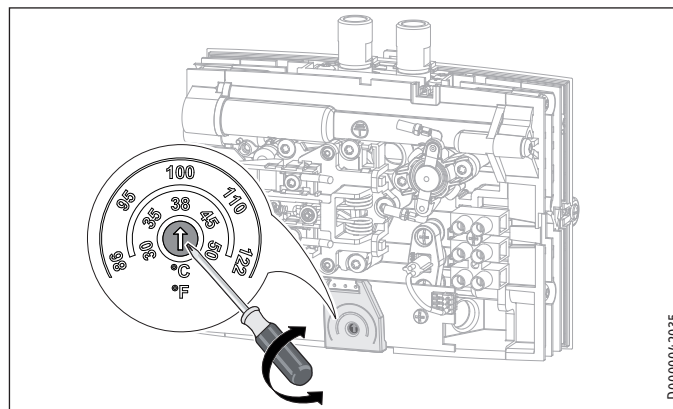
**GEVAAR** voor elektrische schok  
De stelschroef voor het debiet en de potentiometer voor temperatuurinstelling zijn spanninggeleidend, wanneer het toestel niet is losgekoppeld van het stroomnet.



- Neem de bovenkap af.

### Maximale temperatuur instellen

Fabrieksinstelling: 38 °C



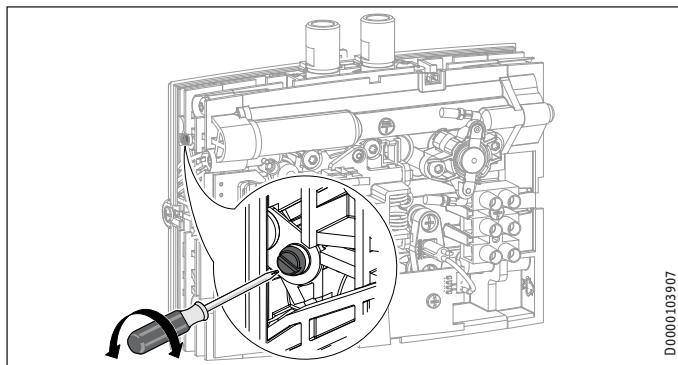
- Stel de potentiometer met behulp van een schroevendraaier in op de gewenste maximumtemperatuur.
- Monteer de bovenkap.

# INSTALLATIE

## Buitendienststelling

### Debiet begrenzen

Fabrieksinstelling: Maximaal debiet



- ▶ Stel met behulp van de stelschroef het gewenste debiet in:
  - Kleinste debiet = draai de schroef erin tot aan de aanslag.
  - Maximaal debiet = draai de schroef eruit tot aan de aanslag.
- ▶ Monteer de bovenkap.

## 12. Buitendienststelling

- ▶ Koppel het toestel met de zekering los van de huisinstallatie of trek de stekker van de elektrische aansluitkabel uit het stopcontact.
- ▶ Tap het toestel af (zie hoofdstuk "Installatie/onderhoud").

## 13. Storingen verhelpen

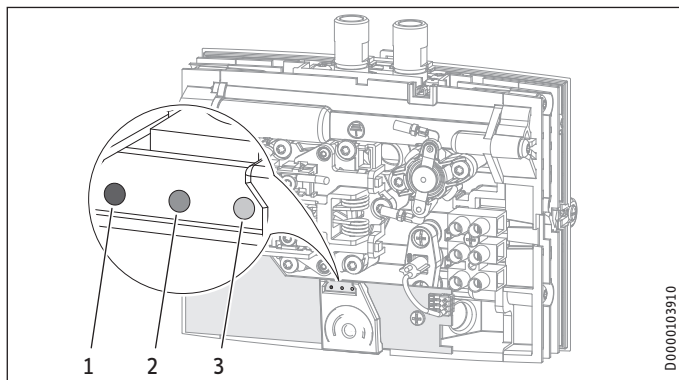
Probleem	Oorzaak	Oplossing
Toestel schakelt niet in, hoewel het warmwaterventiel volledig is geopend.	De straalregelaar in de kraan is vuil of verkalkt.	Reinig en/of ontkalk de straalregelaar of vervang de speciale straalregelaar.
	Het debiet is te laag ingesteld.	Vergroot het debiet.
	De zeef in de koudwaterleiding is verstopt.	Reinig de zeef nadat u de koudwateraanvoerleiding hebt afgesloten.
	Het verwarmingssysteem is defect.	Meet de weerstand van het verwarmingssysteem en vervang het toestel, indien nodig.
	De veiligheidstemperatuurbegrenzer is geactiveerd.	Los de oorzaak van de storing op. Schakel het toestel spanningsvrij en ontlast de waterleiding. Activeer de veiligheidsdrukbegrenzer.
De gewenste temperatuur wordt niet bereikt. De gele indicator knippert.	Het toestel heeft de grens van zijn vermogen bereikt.	Reduceer het debiet.



# INSTALLATIE

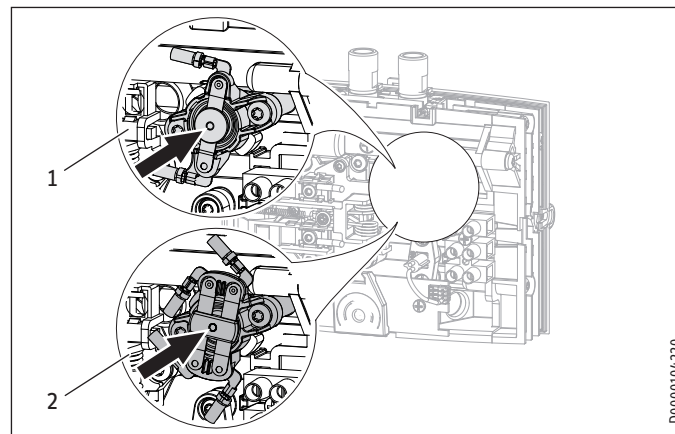
## Storingen verhelpen

### Weergave lichtdiode



- 1 Indicatie rood bij storing
- 2 Indicatie geel bij verwarmingsmodus/knipperend bij overschrijden van de vermogensgrens
- 3 Indicatie groen knipperend bij voeding van de elektronica

### De veiligheidsdrukbegrenzer activeren



- 1 1-polige veiligheidsdrukbegrenzer EIL 4 Premium/  
EIL 6 Premium
- 2 2-polige veiligheidsdrukbegrenzer EIL 3 Premium/  
EIL 7 Premium

### 14. Onderhoud



**GEVAAR voor elektrische schok**  
Scheid alle polen van het toestel van het elektriciteitsnet  
vóór aanvang van alle werkzaamheden.

#### 14.1 Toestel aftappen



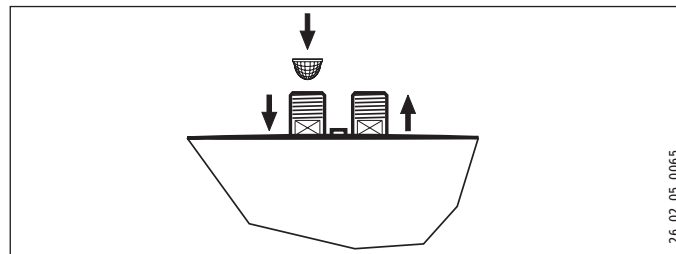
**GEVAAR voor verschroeïing**  
Wanneer u het toestel aftapt, kan er heet water uitlopen.

Ga als volgt te werk, wanneer het toestel voor onderhoudswerkzaamheden of als bescherming tegen vorst van de volledige installatie moet worden afgetapt:

- ▶ Sluit de afsluitklep in de koudwatertoevoerleiding.
- ▶ Open het aftapventiel.
- ▶ Maak de wateraansluitingen van het toestel los.

#### 14.2 Zeef reinigen

U kunt de ingebouwde zeef reinigen, nadat de koudwateraansluiting is losgekoppeld.



26\_02\_05\_0065\_

### 14.3 Controles volgens VDE 0701/0702

#### Controle van de aardleiding

- ▶ Controleer de aardleiding (in Duitsland bijv. DGUV A3) op het aardleidingscontact van de elektrische aansluitkabel en bij de aansluitstomp van het toestel.

#### Isolati weerstand

Vanwege de elektronische aansturing van dit toestel kan een meting van de isolati weerstand volgens VDE 0701/0702 niet worden uitgevoerd.

- ▶ Om de doeltreffendheid van de isolatie-eigenschappen van dit toestel te controleren, adviseren we een verschilstroommeting van de aardleidingstroom/lekstroom volgens VDE 0701/0702 (afbeelding C.3b) uit te voeren.

### 14.4 Opslag van het toestel

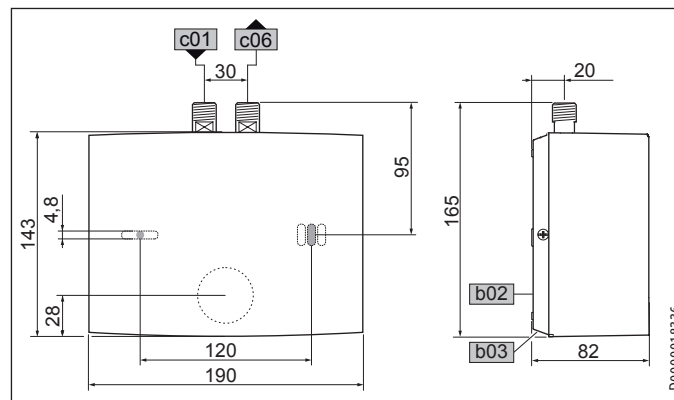
- ▶ Een gedemonteerd toestel moet vorstvrij worden bewaard, want er kan restwater in het toestel zitten dat kan bevriezen en daardoor schade veroorzaken.

### 14.5 De elektrische aansluitkabel bij de EIL 6 Premium vervangen

- ▶ Bij de EIL 6 Premium moet bij vervanging een elektrische aansluitkabel met een diameter van 4 mm<sup>2</sup> worden gebruikt.

## 15. Technische gegevens

### 15.1 Afmetingen en aansluitingen



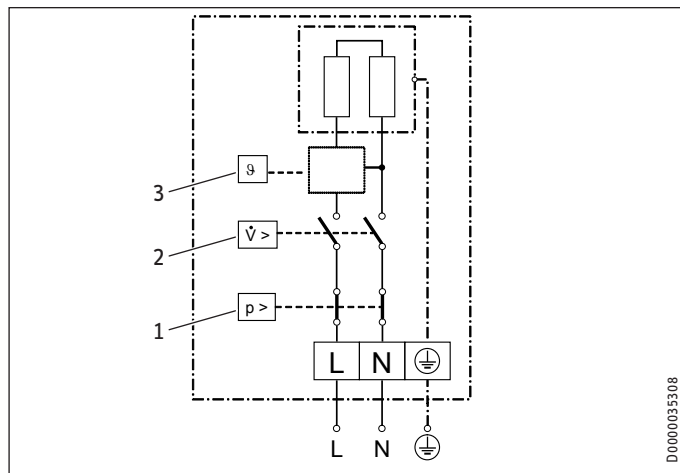
		EIL Premium
b02	Doorvoer elektr.kabels I	
b03	Doorvoer elektr.kabels II	
c01	Koudwatertoevoer	Buitendraad G 3/8 A
c06	Warmwateruitloop	Buitendraad G 3/8 A

# INSTALLATIE

## Technische gegevens

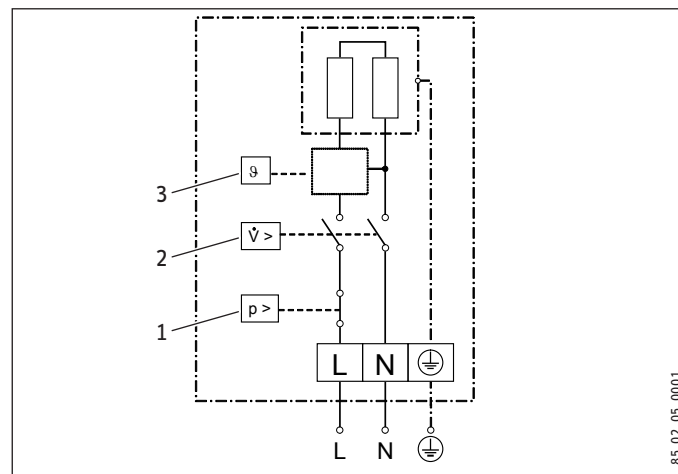
### 15.2 Elektrisch schakelschema

#### 15.2.1 EIL 3 Premium 1/N/PE ~ 200-240 V



- 1 Veiligheidsdrukbegrenzer
- 2 Drukschakelaar
- 3 Elektronica met uitlooptemperatuursensor

#### 15.2.2 EIL 4 Premium en EIL 6 Premium 1/N/PE ~ 200-240 V



- 1 Veiligheidsdrukbegrenzer
- 2 Drukschakelaar
- 3 Elektronica met uitlooptemperatuursensor



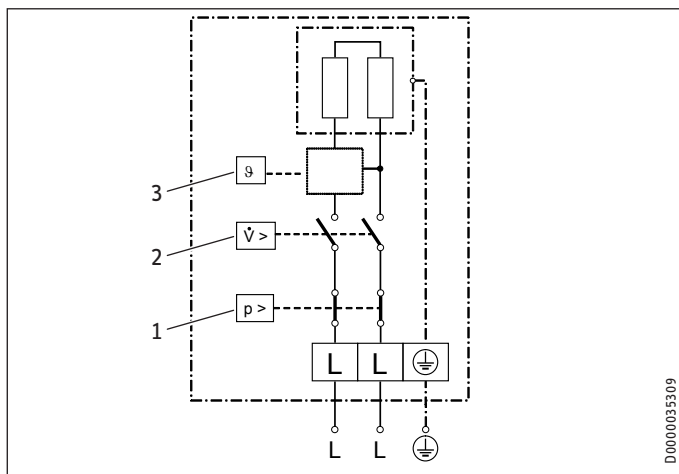
#### Materiële schade

- Bij een vaste aansluiting sluit u de elektrische aansluitkabel aan conform de beschrijving bij de klemmen.

# INSTALLATIE

## Technische gegevens

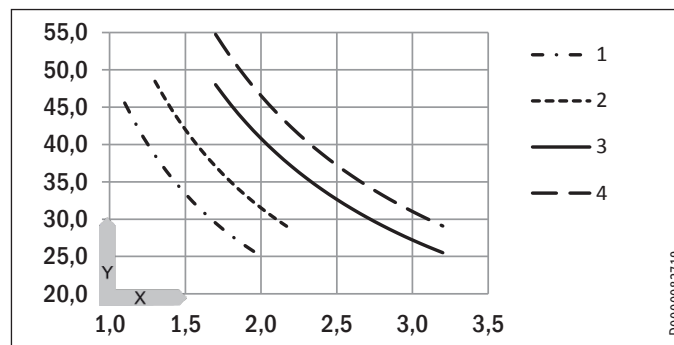
### 15.2.3 EIL 7 Premium 2/PE ~ 380-400 V



- 1 Veiligheidsdrukbegrenzer
- 2 Drukschakelaar
- 3 Elektronica met uitlooptemperatuursensor

### 15.3 Temperatuurverhoging

De volgende temperatuurverhogingen zijn beschikbaar bij een spanning van 230 V/400 V:



X Debiet in l/min  
Y Temperatuurverhoging in K

- 1 3,5 kW - 230 V
- 2 4,4 kW - 230 V
- 3 5,7 kW - 230 V
- 4 6,5 kW - 400 V

#### Voorbeeld EIL 3 Premium met 3,5 kW

Debiet	l/min	2,0
Temperatuurverhoging	K	25
Koudwater-toevoertemperatuur	°C	12
Maximaal mogelijke uitlooptemperatuur	°C	37

# INSTALLATIE

## Technische gegevens

### 15.4 Toepassingsmogelijkheden

Specifieke elektrische weerstand en specifieke elektrische geleidbaarheid, zie "Installatie/technische gegevens/gegevenstabel"

Genormeerde waarde bij 15 °C			20 °C			25 °C		
Weerstand $\rho \geq$	Geleidbaarheid $\sigma \leq$		Weerstand $\rho \geq$	Geleidbaarheid $\sigma \leq$		Weerstand $\rho \geq$	Geleidbaarheid $\sigma \leq$	
$\Omega \text{ cm}$	mS/m	$\mu\text{S/cm}$	$\Omega \text{ cm}$	mS/m	$\mu\text{S/cm}$	$\Omega \text{ cm}$	mS/m	$\mu\text{S/cm}$
1000	100	1000	890	112	1124	815	123	1227
1300	77	769	1175	85	851	1072	93	933

### 15.5 Gegevens over het energieverbruik

Productgegevensblad: Conventionele warmwaterbereider volgens verordening (EU) nr. 812/2013 | 814/2013

		EIL 3 Premium	EIL 4 Premium	EIL 6 Premium	EIL 7 Premium
		200134	200135	200136	200137
Fabrikant		STIEBEL ELTRON	STIEBEL ELTRON	STIEBEL ELTRON	STIEBEL ELTRON
Tapprofiel		XXS	XXS	XXS	XS
Energieklasse		A	A	A	A
Energetisch rendement	%	39	39	39	40
Jaarlijks stroomverbruik	kWh	478	478	478	467
Temperatuurinstelling af fabriek	°C	38	38	38	38
Geluidsniveau	dB(A)	15	15	15	15
Bijzondere aanwijzingen voor efficiëntiemeting		geen	geen	geen	geen
Dagelijks stroomverbruik	kWh	2,200	2,200	2,200	2,130

# INSTALLATIE

## Technische gegevens

### 15.6 Gegevenstabel

		EIL 3 Premium				EIL 4 Premium				EIL 6 Premium				EIL 7 Premium	
		200134				200135				200136				200137	
<b>Elektrische gegevens</b>															
Nominale spanning	V	200	220	230	240	200	220	230	240	200	220	230	240	380	400
Nominaal vermogen	kW	2,7	3,2	3,53	3,8	3,3	4,0	4,4	4,8	4,3	5,2	5,7	6,2	5,9	6,5
Nominale stroom	A	13,3	14,5	15,2	15,8	16,7	18,2	19,1	20,0	21,6	23,6	24,7	25,8	15,5	16,3
Beveiliging	A	16				20				25	25	25	32	16	20
Frequentie	Hz	50/60				50/60				50/60				50/-	
Fasen		1/N/PE				1/N/PE				1/N/PE				2/PE	
Specifieke weerstand $\rho_{15} \geq$ (bij $\vartheta_{koud} \leq 25^\circ\text{C}$ )	$\Omega$ cm	1000				1000				1000				1000	
Specifieke geleidbaarheid $\sigma_{15} \leq$ (bij $\vartheta_{koud} \leq 25^\circ\text{C}$ )	$\mu\text{S/cm}$	1000				1000				1000				1000	
Specifieke weerstand $\rho_{15} \geq$ (bij $\vartheta_{koud} > 25^\circ\text{C}$ )	$\Omega$ cm	1300				1300				1300				1300	
Specifieke geleidbaarheid $\sigma_{15} \leq$ (bij $\vartheta_{koud} > 25^\circ\text{C}$ )	$\mu\text{S/cm}$	770				770				770				770	
Max. netimpedantie bij 50 Hz	$\Omega$	0,091	0,083	0,079	0,076	0,072	0,065	0,063	0,06	0,056	0,051	0,049	0,047	0,236	0,225
<b>Aansluitingen</b>															
Wateraansluiting		G 3/8 A				G 3/8 A				G 3/8 A				G 3/8 A	
<b>Werkingsgebied</b>															
Max. toegelaten druk	MPa	1				1				1				1	
Max. toevoertemperatuur voor naverwarming	$^\circ\text{C}$	50				50				50				50	
<b>Waarden</b>															
Max. toegelaten toevoertemperatuur	$^\circ\text{C}$	55				55				55				55	
Instelbereik warmwatertemperatuur	$^\circ\text{C}$	30-50				30-50				30-50				30-50	
Aan	l/min	> 1,5				> 1,8				> 2,2				> 2,2	
Drukverlies bij debiet	MPa	0,05				0,06				0,07				0,07	

# INSTALLATIE

## Technische gegevens

		EIL 3 Premium	EIL 4 Premium	EIL 6 Premium	EIL 7 Premium
Debiet voor drukverlies	l/min	1,5	1,8	2,2	2,2
Debietbegrenzing bij	l/min	2,0	2,2	3,2	3,2
Warmwateraanbieding	l/min	2,0	2,2	3,2	3,7
$\Delta\vartheta$ bij aanbieding	K	25	25	25	25
<b>Hydraulische gegevens</b>					
Nominale inhoud	l	0,1	0,1	0,1	0,1
<b>Uitvoeringen</b>					
Montage bovenbouw		X	X	X	X
Montage onderbouw		X	X	X	X
Uitvoering open		X	X	X	X
Uitvoering gesloten		X	X	X	X
Beschermingsklasse		1	1	1	1
Isolatieblok		Kunststof	Kunststof	Kunststof	Kunststof
Verwarmingssysteem warmtegenerator		Blankdraad	Blankdraad	Blankdraad	Blankdraad
Kap en achterwand		Kunststof	Kunststof	Kunststof	Kunststof
Kleur		wit	wit	wit	wit
Beschermingsgraad (IP)		IP25	IP25	IP25	IP25
<b>Afmetingen</b>					
Hoogte	mm	143	143	143	143
Breedte	mm	190	190	190	190
Diepte	mm	82	82	82	82
Lengte aansluitkabel	mm	700	700	700	700
<b>Gewichten</b>					
Gewicht	kg	1,5	1,5	1,5	1,5



**Info**

Het toestel voldoet aan IEC 61000-3-12.



## Garantie

Voor toestellen die buiten Duitsland zijn gekocht, gelden de garantievoorwaarden van onze Duitse ondernemingen niet. Bovendien kan in landen waar één van onze dochtermaatschappijen verantwoordelijk is voor de verkoop van onze producten, alleen garantie worden verleend door deze dochtermaatschappij. Een dergelijk garantie wordt alleen verstrekt, wanneer de dochtermaatschappij eigen garantievoorwaarden heeft gepubliceerd. In andere situaties wordt er geen garantie verleend.

Voor toestellen die in landen worden gekocht waar wij geen dochtermaatschappijen hebben die onze producten verkopen, verlenen wij geen garantie. Een eventueel door de importeur verzekerde garantie blijft onverminderd van kracht.

## Milieu en recycling

- ▶ Gooi het toestel en de materialen na gebruik weg conform de nationale voorschriften.



- ▶ Wanneer op het toestel een doorgestreepte vuilcontainer is afgebeeld, brengt u het toestel voor hergebruik en recycling naar de gemeentelijke inzamelpunten of terugnamepunten in de handel.



Dit document bestaat uit recyclebaar papier.

- ▶ Gooi het document na de levenscyclus van het toestel overeenkomstig de nationale voorschriften weg.

## INDICACIONES ESPECIALES

### OPERACIÓN

<b>1. Indicaciones generales</b>	<b>79</b>
1.1 Instrucciones de seguridad	79
1.2 Otras marcas presentes en esta documentación	80
1.3 Unidades de medida	80
<b>2. Seguridad</b>	<b>81</b>
2.1 Utilización conforme a las prescripciones	81
2.2 Instrucciones generales de seguridad	81
2.3 Sello de certificación	82
<b>3. Descripción del aparato</b>	<b>82</b>
<b>4. Configuración</b>	<b>82</b>
<b>5. Limpieza, conservación y mantenimiento</b>	<b>83</b>
<b>6. Resolución de problemas</b>	<b>83</b>

### INSTALACIÓN

<b>7. Seguridad</b>	<b>84</b>
7.1 Instrucciones generales de seguridad	84
7.2 Reglamentos, normas y disposiciones	84
<b>8. Descripción del aparato</b>	<b>84</b>
8.1 Ámbito de suministro	84
8.2 Accesorios	85
<b>9. Preparativos</b>	<b>85</b>
<b>10. Montaje</b>	<b>85</b>
10.1 Lugar de montaje	85
10.2 Alternativas de montaje	86

10.3 Establecimiento del empalme eléctrico	89
<b>11. Puesta en marcha</b>	<b>90</b>
11.1 Primera puesta en marcha	90
11.2 Entrega del aparato	90
11.3 Nueva puesta en marcha	90
11.4 Configuración	90
<b>12. Puesta fuera de servicio</b>	<b>92</b>
<b>13. Reparación de averías</b>	<b>92</b>
<b>14. Mantenimiento</b>	<b>94</b>
14.1 Vaciado del aparato	94
14.2 Limpiar el filtro	94
14.3 Comprobaciones según VDE 0701/0702	94
14.4 Almacenaje del aparato	95
14.5 Cambio del cable de alimentación eléctrica en EIL 6 Premium	95
<b>15. Especificaciones técnicas</b>	<b>95</b>
15.1 Dimensiones y conexiones	95
15.2 Diagrama eléctrico	96
15.3 Aumento de la temperatura	97
15.4 Ámbitos de aplicación	98
15.5 Datos sobre el consumo energético	98
15.6 Tabla de especificaciones	99

### GARANTÍA

### MEDIO AMBIENTE Y RECICLADO

# INDICACIONES ESPECIALES

- El aparato puede ser utilizado por niños a partir de 3 años, así como por personas con capacidades físicas, sensoriales o mentales limitadas, o con falta de experiencia y conocimientos, solo bajo la vigilancia de otra persona o si antes han recibido instrucciones sobre el uso seguro del aparato y han comprendido los peligros que pueden derivarse. Está prohibido que los niños jueguen con el aparato. Los niños no deben realizar las tareas de limpieza y mantenimiento propias del usuario sin vigilancia.
- La válvula puede alcanzar temperaturas de hasta 55 °C durante la operación. A temperaturas de salida superiores a 43 °C existe peligro de escaldamiento.
- El aparato debe poder desconectarse omnipolarmente de la red eléctrica al menos durante un intervalo de 3 mm.
- La tensión indicada debe coincidir con la tensión de red disponible.
- El aparato debe estar continuamente conectado a un cableado fijo, con excepción de EIL 3 Premium.
- El aparato debe estar conectado al conductor de puesta a tierra.
- Solo un profesional técnico especializado autorizado por el fabricante podrá cambiar el cable de conexión a la red eléctrica si está dañado o si tiene que ser sustituido por una pieza de repuesto original.
- Fije el aparato tal como se describe en el capítulo "Instalación / Montaje".

- Tenga en cuenta la presión máxima admisible (véase el capítulo "Instalación / Especificaciones técnicas / Tabla de especificaciones").
- La resistencia específica del agua de la red de abastecimiento de agua no debe tener un valor inferior al mínimo (véase el capítulo "Instalación / Especificaciones técnicas / Tabla de especificaciones").
- Vacíe el aparato tal como se describe en el capítulo "Instalación / Mantenimiento / Vaciado del aparato".

## OPERACIÓN

### 1. Indicaciones generales

Los capítulos "Indicaciones especiales" y "Operación" están dirigidos al usuario del aparato y al profesional técnico especializado.

El capítulo "Instalación" está dirigido al profesional técnico especializado.



#### Nota

Lea atentamente estas instrucciones antes del uso y consérvelas en un lugar seguro.

Entregue las instrucciones a otros posibles usuarios de este aparato.

### 1.1 Instrucciones de seguridad

#### 1.1.1 Estructura de las instrucciones de seguridad



#### **PALABRA DE ADVERTENCIA** Tipo de peligro




Mediante este tipo de palabras se explican las posibles consecuencias en caso de desobedecimiento de las instrucciones de seguridad.

- Aquí se proponen las medidas necesarias para evitar el peligro.

## OPERACIÓN

# Indicaciones generales

### 1.1.2 Símbolos, tipo de peligro

Símbolo	Tipo de peligro
	Lesión
	Electrocución
	Quemaduras (quemaduras, escaldadura)

### 1.1.3 Palabras de advertencia

PALABRA DE ADVERTENCIA	Significado
PELIGRO	Indicaciones cuyo desobedecimiento tiene como consecuencia lesiones graves o la muerte.
ADVERTENCIA	Indicaciones cuyo desobedecimiento puede tener como consecuencia lesiones graves o la muerte.
PRECAUCIÓN	Indicaciones cuyo desobedecimiento puede tener como consecuencia lesiones de gravedad media o baja.



### 1.2 Otras marcas presentes en esta documentación



#### Nota

Las indicaciones generales se señalizan mediante el símbolo adyacente.

► Lea atentamente las indicaciones.

Símbolo	Significado
	Daños materiales (daños en el aparato, indirectos, medioambientales)
	Eliminación del aparato

► Este símbolo le indica que usted tiene que hacer algo. Se describen paso a paso las medidas necesarias.

### 1.3 Unidades de medida



#### Nota

Si no se indica lo contrario, todas las dimensiones estarán expresadas en milímetros.

## 2. Seguridad

### 2.1 Utilización conforme a las prescripciones

El aparato sirve para calentar agua potable o para recalentar agua ya precalentada. El aparato está destinado a un lavamanos.

El aparato está diseñado para utilizarse en un ámbito doméstico. Las personas no cualificadas pueden utilizarlo de forma segura. Asimismo, el aparato puede utilizarse en ámbitos que no sean domésticos, como en pequeñas empresas, siempre que se utilice del mismo modo.

Cualquier otro uso distinto al indicado en este documento se considera un uso inapropiado. Se considera un uso apropiado el cumplimiento de estas instrucciones, así como de las instrucciones de los accesorios utilizados.

### 2.2 Instrucciones generales de seguridad



#### **PELIGRO: Escaldamiento**

La válvula puede alcanzar temperaturas de hasta 55 °C durante la operación.

A temperaturas de salida superiores a 43 °C existe peligro de escaldamiento.



#### **ADVERTENCIA Lesiones**

El aparato puede ser utilizado por niños a partir de 3 años, así como por personas con capacidades físicas, sensoriales o mentales limitadas, o con falta de experiencia y conocimientos, solo bajo la vigilancia de otra persona o si antes han recibido instrucciones sobre el uso seguro del aparato y han comprendido los peligros que pueden derivarse. Está prohibido que los niños jueguen con el aparato. Los niños no deben realizar las tareas de limpieza y mantenimiento propias del usuario sin vigilancia.



#### **PELIGRO Electrocución**

Si el cable de alimentación eléctrica está dañado, deberá ser sustituido por un profesional técnico especializado. De este modo, se excluye un posible peligro.



#### **Daños materiales**

Proteja el aparato y el grifo/válvula de las heladas.



#### **Daños materiales**

Utilice solo el regulador de chorro especial incluido en el suministro. Evite la calcificación en las tomas de grifos (consulte el capítulo "Operación / Limpieza, conservación y mantenimiento").

#### 2.3 Sello de certificación

Véase la placa de especificaciones técnicas en el aparato.

### 3. Descripción del aparato

El minicalentador instantáneo con regulación electrónica mantiene constante la temperatura de salida independientemente de la temperatura de admisión hasta el límite de potencia.

El aparato viene ajustado de fábrica a la temperatura de salida necesaria para el lavado de manos. Cuando se alcanza la temperatura, el sistema electrónico reduce automáticamente la potencia. La potencia se ajusta a la temperatura deseada para que no se supere la temperatura.

El aparato calienta el agua directamente en el punto de dispensado tan pronto como se abre el grifo. Gracias a que los tramos de tubería son cortos, se producen pocas pérdidas de energía y agua.

El rendimiento de agua caliente depende de la temperatura del agua fría, de la potencia de calefacción y del caudal.

El sistema de calefacción de cables desnudos es apto para agua baja en cal y con cal. El sistema de calefacción es muy resistente a la acumulación de cal. El sistema de calefacción proporciona agua caliente de forma rápida y eficaz en el lavado.

El profesional técnico especializado puede ajustar los valores máximos de temperatura y caudal (consulte el capítulo "Instalación / Puesta en marcha / Configuración").

Con la instalación del regulador de chorro especial adjunto se obtiene un chorro de agua óptimo.

### 4. Configuración

Tan pronto como se abre la válvula de agua caliente en el grifo o se acciona un grifo/válvula con sensor, el sistema de calefacción del aparato se conecta automáticamente. El agua se calienta. La temperatura del agua se puede modificar con el grifo.

Para conocer el caudal de conexión y la limitación del caudal, consulte el capítulo "Instalación / Especificaciones técnicas / Tabla de especificaciones".

#### Aumento de la temperatura

- ▶ Reduzca el caudal del grifo.

#### Reducción de la temperatura

- ▶ Abra más el grifo o añada más agua fría.

#### Tras interrumpir el abastecimiento de agua

Consulte el capítulo "Instalación / Puesta en marcha / Reconexión de la máquina".

### 5. Limpieza, conservación y mantenimiento

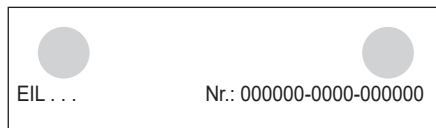
- ▶ No utilice detergentes agresivos ni disolventes. Para conservar y limpiar el aparato basta con utilizar un paño húmedo.
- ▶ Revise la grifería/valvulería periódicamente. La cal en las tomas de grifos puede eliminarse utilizando los productos antical disponibles en el mercado.
- ▶ Avise a un profesional técnico especializado para que revise periódicamente la seguridad eléctrica del aparato.
- ▶ Descalcifique o renueve regularmente el regulador de chorro especial del grifo (consulte el capítulo "Instalación / Descripción del aparato / Accesorios").

### 6. Resolución de problemas

Problema	Causa	Solución
El aparato no se enciende a pesar de que la válvula de agua caliente está completamente abierta.	En el aparato no hay tensión.	Revise el fusible de la caja de fusibles doméstica.
	El regulador de chorro en el grifo presenta cal o está sucio.	Limpie o elimine la cal del regulador de chorro, o renueve el regulador de chorro especial.
	Se ha interrumpido el abastecimiento de agua.	Purgue el aire del aparato y de la tubería de suministro de agua fría (consulte el capítulo "Instalación / Puesta en marcha / Reconexión de la máquina").

Problema	Causa	Solución
No se alcanza la temperatura deseada.	El ajuste de temperatura máxima en el aparato es muy bajo.	Deje que un profesional técnico especializado ajuste nuevamente la temperatura máxima.
	El aparato está en el límite de potencia.	Reduzca el caudal.

Si no puede solucionar la causa, llame al profesional técnico especializado. Para poder ayudarle mejor y con mayor rapidez, indique el número de la placa de especificaciones técnicas (000000-0000-00000).





# INSTALACIÓN

## 7. Seguridad

La instalación, la puesta en marcha y el mantenimiento y reparación del aparato deben ser realizados exclusivamente por un profesional técnico especializado.

### 7.1 Instrucciones generales de seguridad

Solo garantizamos un nivel óptimo de funcionalidad y de seguridad y fiabilidad de funcionamiento si se utilizan accesorios y piezas de repuesto originales específicos del aparato.



#### **Daños materiales**

Tenga en cuenta la temperatura máxima de admisión. El aparato se puede dañar si la temperatura es elevada. Instalando una valvulería del termostato central puede limitar la temperatura de admisión máxima.



#### **ADVERTENCIA Electrocutación**

Este aparato contiene condensadores que se descargan si se separan de la red de corriente. La tensión de descarga del condensador puede, en su caso, ser > 34 V CC durante un breve periodo.

## 7.2 Reglamentos, normas y disposiciones



#### **Nota**

Tenga en cuenta todos los reglamentos y disposiciones nacionales y regionales.

La resistencia eléctrica específica del agua no debe ser menor que la indicada en la placa de especificaciones técnicas. En una red colectiva de agua debe tener en cuenta la resistencia eléctrica mínima del agua (consulte el capítulo "Instalación / Especificaciones técnicas / Tabla de especificaciones"). Puede consultar cuál es la resistencia eléctrica específica o la conductividad eléctrica del agua a su compañía de abastecimiento de agua.

## 8. Descripción del aparato

### 8.1 Ámbito de suministro

El suministro del aparato incluye:

- Filtro en la alimentación del agua fría
- Regulador de chorro especial
- Manguera de conexión 3/8, 500 mm de longitud, con juntas\*
- Pieza en T de 3/8\*
- Logotipo de empresa para el montaje sobre una mesa

\* para la conexión como aparato estanco a la presión

# INSTALACIÓN

## Preparativos

### 8.2 Accesorios

#### Regulador de chorro especial



#### Nota

Con la instalación del regulador de chorro especial en el grifo se obtiene un chorro de agua óptimo.

#### Grifería/valvulería sin presión

- MAW (OT) - Grifería de pared para sobremesa
- MAZ (UT) - Grifería de dos mandos para lavabo
- MAE-W (UTE) - Grifería de monomando para lavabo

#### Grifos estancos a la presión

Los grifos adecuados estancos a la presión pueden obtenerse en comercios especializados.

## 9. Preparativos

- Lave a fondo la tubería de agua.

#### Instalación de agua

No se requiere una válvula de seguridad.

#### Grifería/valvulería

- Utilice la grifería/valvulería adecuada.

## 10. Montaje

### 10.1 Lugar de montaje

El aparato debe montarse en una habitación resguardada de las heladas, cerca del grifo de dispensado.

Asegúrese de que los tornillos laterales de sujeción de la tapa sean accesibles.

El aparato es apto para el montaje bajo mesa (conexiones de agua en la parte superior) y para el montaje sobre una mesa (conexiones de agua en la parte inferior).



#### PELIGRO Electrocuación

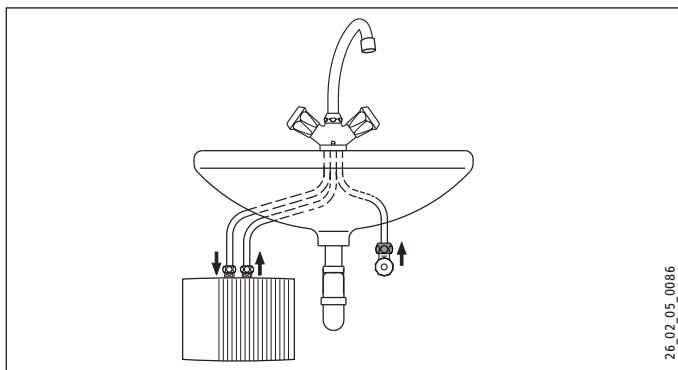
El tornillo de reglaje para la regulación del caudal es conductor de electricidad y el tipo de protección IP 25 solo se da cuando se monta la pared posterior del aparato.

- Siempre monte la pared posterior del aparato.

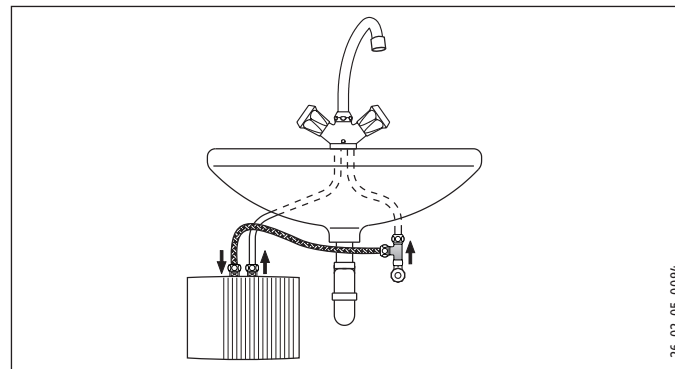
### 10.2 Alternativas de montaje

#### 10.2.1 Montaje bajo mesa

Sin presión, con grifo/válvula despresurizados



Estanco a la presión, con grifo/válvula estancos a la presión



# INSTALACIÓN

## Montaje

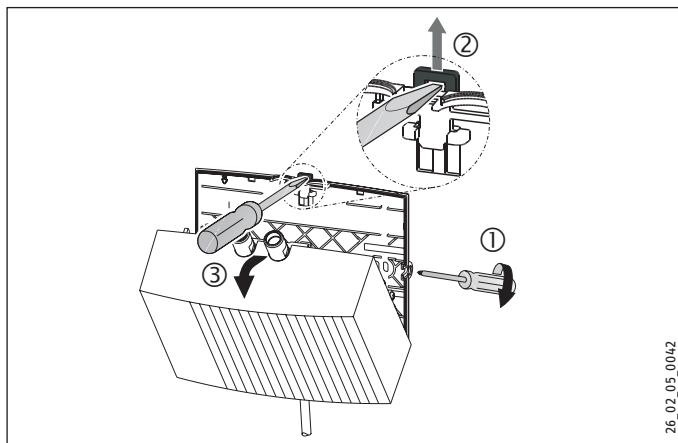
### Montaje del aparato



#### Nota

La pared debe tener una capacidad portante suficiente.

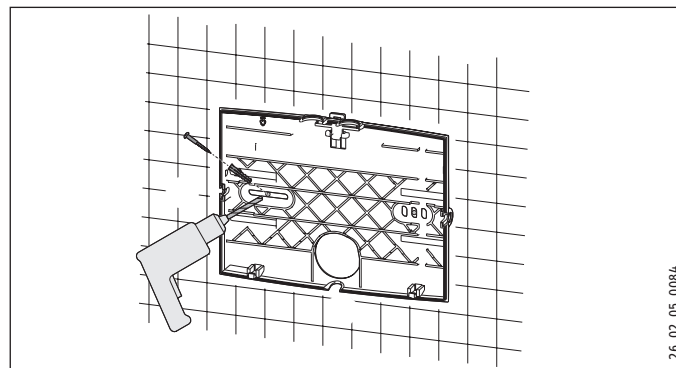
- ▶ Monte el aparato en la pared.



26\_02\_05\_00042

- ▶ Afloje los tornillos de sujeción de la tapa dándoles dos vueltas.
- ▶ Desbloquee el cierre de encastre con un destornillador.

- ▶ Retire la tapa del aparato con el sistema de calefacción hacia delante.
- ▶ Rompa el orificio de paso para el cable de alimentación eléctrica en la tapa del aparato con unas tenazas. Corrija el contorno con una lima si es necesario.

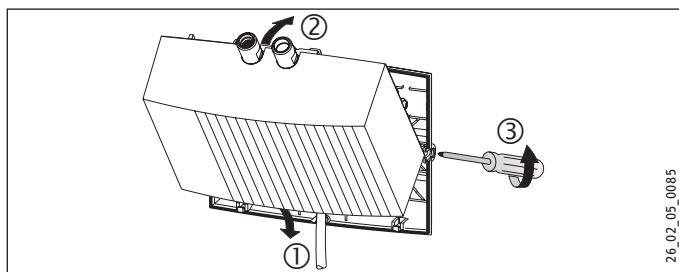


26\_02\_05\_00084

- ▶ Utilice la pared posterior del aparato como plantilla de perforación.
- ▶ Fije la pared posterior del aparato con tacos y tornillos adecuados en la pared.

# INSTALACIÓN

## Montaje



- ▶ Haga pasar el cable de alimentación eléctrica por el orificio de paso de la pared posterior.
- ▶ Enganche la tapa del aparato con el sistema de calefacción en la parte inferior.
- ▶ Encaje el sistema de calefacción en el cierre de encastre.
- ▶ Fije la tapa del aparato con los tornillos de sujeción de la tapa.

### Montaje del grifo/válvula



#### Daños materiales

- ▶ Para el montaje de todas las conexiones, debe sostener con una llave de anchura 14 en el aparato.
- ▶ Monte el grifo. También tenga presentes las instrucciones de utilización y de instalación del grifo/válvula.

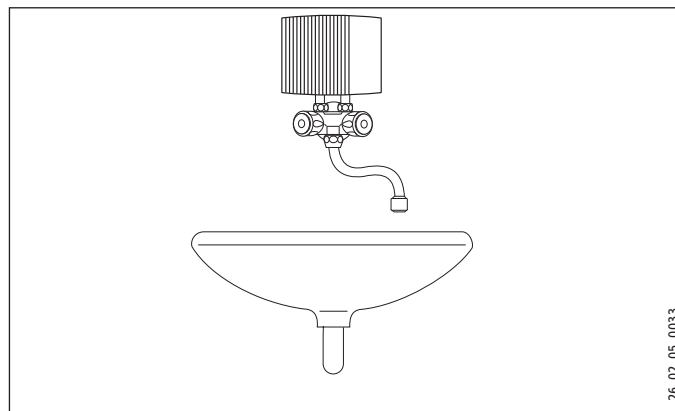
### Grifo/válvula estancos a la presión



#### Nota

- ▶ Monte la manguera de conexión de 3/8 y la pieza en T de 3/8 incluidas en el suministro.

### 10.2.2 Montaje sobre una mesa, sin presión, con grifo/válvula despresurizados



# INSTALACIÓN

## Montaje

### Montaje del grifo/válvula



#### **Daños materiales**

► Para el montaje de todas las conexiones, debe sostener con una llave de anchura 14 en el aparato.

- Monte el grifo. También tenga presentes las instrucciones de utilización y de instalación del grifo/válvula.

### Montaje del aparato

- Monte el aparato con las conexiones de agua en el grifo/válvula.

## 10.3 Establecimiento del empalme eléctrico



#### **PELIGRO Electrocuación**

Realice todos los trabajos de conexión e instalación eléctricos de conformidad con la normativa vigente.



#### **PELIGRO Electrocuación**

Asegúrese de que el aparato esté conectado al conductor de puesta a tierra.

El aparato debe poder desconectarse omnipolarmente de la conexión a la red eléctrica mediante una separación de al menos 3 mm.



#### **PELIGRO Electrocuación**

Los aparatos se suministran con un cable de alimentación eléctrica (EIL 3 Premium con conector).

La conexión a un cable eléctrico fijo es posible si este tiene al menos la misma sección transversal que el cable de conexión de serie del aparato. La máxima sección transversal de cable posible es de 3 x 6 mm<sup>2</sup>.

- Si el aparato se monta sobre una mesa, el cable de alimentación eléctrica debe pasar por detrás del aparato.



#### **Daños materiales**

Si se realiza la conexión a una toma de alimentación con contacto de protección (en el caso de un cable de alimentación eléctrica con conector), asegúrese de que se pueda acceder libremente a esta toma tras la instalación del aparato.



#### **Daños materiales**

Observe la placa de especificaciones técnicas. La tensión indicada debe concordar con la tensión eléctrica disponible.

- Conecte el cable de alimentación eléctrica de acuerdo al esquema de conexiones eléctricas (consulte el capítulo “Instalación / Especificaciones técnicas / Esquema de conexiones eléctricas”).

### 11. Puesta en marcha

#### 11.1 Primera puesta en marcha



- ▶ Llene el aparato durante al menos un minuto abriendo varias veces el grifo/válvula hasta que la red de tuberías y el aparato estén libres de aire.
- ▶ Realice una inspección de estanqueidad.
- ▶ Enchufe el conector del cable de alimentación eléctrica, si lo hay, en la toma con contacto de protección o encienda el fusible.
- ▶ Compruebe el funcionamiento del aparato.
- ▶ Para el montaje sobre una mesa debe pegar el logotipo de la empresa adjunto sobre el logotipo de la empresa.

#### 11.2 Entrega del aparato

- ▶ Explique al usuario el funcionamiento del aparato y haga que se familiarice con el uso del mismo.
- ▶ Indique al usuario los posibles peligros existentes, en particular en relación al peligro de escaldamiento.
- ▶ Entregue este manual.

#### 11.3 Nueva puesta en marcha



##### **Daños materiales**

Para que el sistema de calefacción de cables desnudos no quede dañado tras interrumpir el abastecimiento de agua, el aparato se tiene que volver a poner en marcha con los siguientes pasos.

- ▶ Corte la tensión del aparato y espere hasta que se haya desenergizado en todos los polos. Para ello, desenchufe el conector del cable de alimentación eléctrica, si lo hay, o apague el fusible.
- ▶ Abra y cierre el grifo/válvula varias veces durante al menos un minuto hasta que no quede aire en el aparato ni en la tubería de suministro de agua fría previa.
- ▶ Vuelva a encender la alimentación eléctrica.

#### 11.4 Configuración

Puede modificar los valores máximos del caudal y de la temperatura.



##### **PELIGRO Electrocutación**

El ajuste del caudal y de la temperatura solo está permitido cuando el aparato está desconectado de la red eléctrica.

# INSTALACIÓN

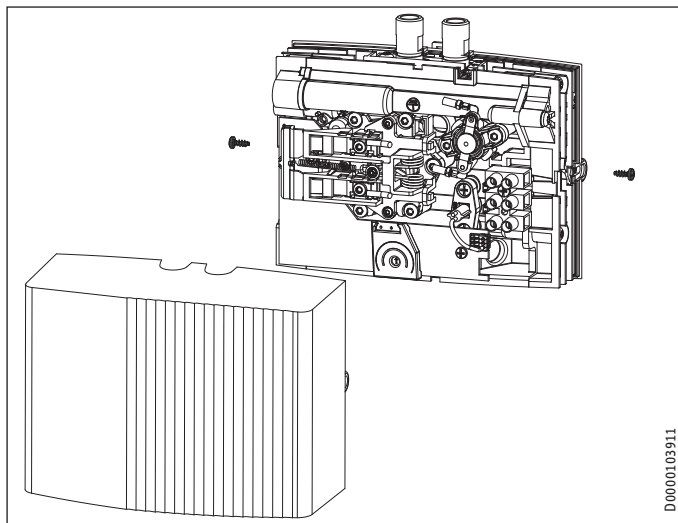
## Puesta en marcha

- ▶ Desconecte el aparato omnipolarmente de la conexión a la red eléctrica.



### PELIGRO Electrocutación

El tornillo de reglaje para ajustar el caudal y el potenciómetro para el ajuste de la temperatura están bajo tensión cuando el aparato no está desconectado de la red eléctrica.

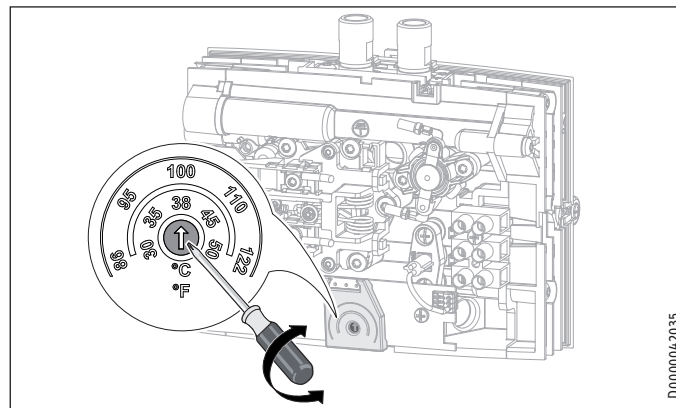


D0000103911

- ▶ Extraiga la tapa del aparato.

### Ajuste de la temperatura máxima

Configuración de fábrica: 38 °C



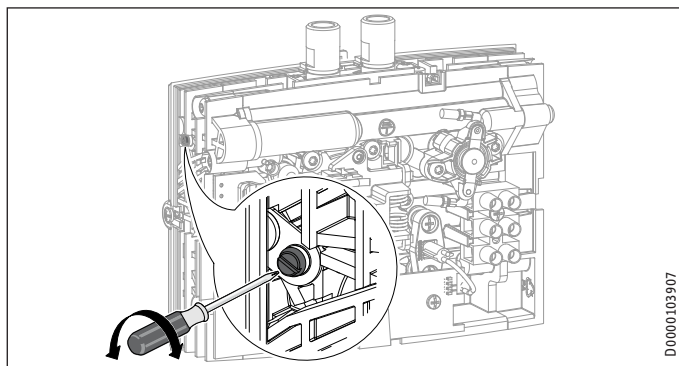
D0000042035

- ▶ Ajuste el potenciómetro a la temperatura máxima deseada con un destornillador.
- ▶ Monte la tapa del aparato.



### Limitación del caudal

Configuración de fábrica: Caudal máximo



- ▶ Utilice el tornillo de reglaje para ajustar el caudal deseado:
  - Caudal más pequeño = enroscar el tornillo hasta el tope de fin.
  - Caudal máximo = desenroscar el tornillo hasta el tope de fin.
- ▶ Monte la tapa del aparato.

### 12. Puesta fuera de servicio

- ▶ Desconecte el aparato de la tensión de red con el fusible de la instalación doméstica o desenchufe el conector del cable de alimentación eléctrica.

- ▶ Drene el aparato (consulte el capítulo "Instalación / Mantenimiento").

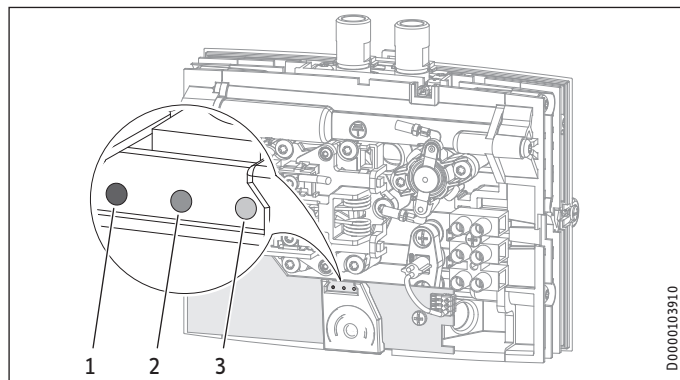
### 13. Reparación de averías

Problema	Causa	Solución
El aparato no se enciende a pesar de que la válvula de agua caliente está completamente abierta.	El regulador de chorro en el grifo presenta cal o está sucio.	Limpie o elimine la cal del regulador de chorro, o renueve el regulador de chorro especial.
	El caudal está ajustado demasiado bajo.	Aumente el caudal.
	El filtro del tubo de agua fría está obstruido.	Limpie el filtro tras cerrar el tubo de alimentación de agua fría.
	El sistema de calefacción está defectuoso.	Mida la resistencia del sistema de calefacción y cambie el aparato si es necesario.
	El limitador de presión de seguridad se ha activado.	Solucione la causa de la avería. Corte la tensión del aparato y descargue la tubería de agua. Active el limitador de presión de seguridad.
No se alcanza la temperatura deseada. La indicación en amarillo parpadea.	El aparato está en el límite de potencia.	Reduzca el caudal.

# INSTALACIÓN

## Reparación de averías

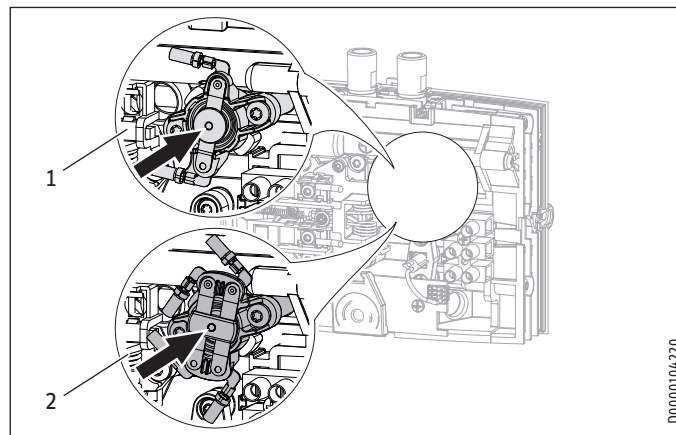
### Indicación de LEDs



D0000103910

- 1 Indicación en rojo en caso de avería
- 2 Indicación en amarillo en caso de modo calefacción / parpadea al superar el límite de potencia
- 3 Indicación en verde intermitente en caso de alimentación eléctrica del sistema electrónico

### Activación del limitador de presión de seguridad



D0000104220

- 1 Limitador de presión de seguridad de 1 polos EIL 4 Premium / EIL 6 Premium
- 2 Limitador de presión de seguridad de 2 polos EIL 3 Premium / EIL 7 Premium

### 14. Mantenimiento



**PELIGRO Electrocuación**  
Siempre que desee realizar cualquier tarea en el aparato, debe desconectarlo omnipolarmente de la conexión a la red eléctrica.

#### 14.1 Vaciado del aparato



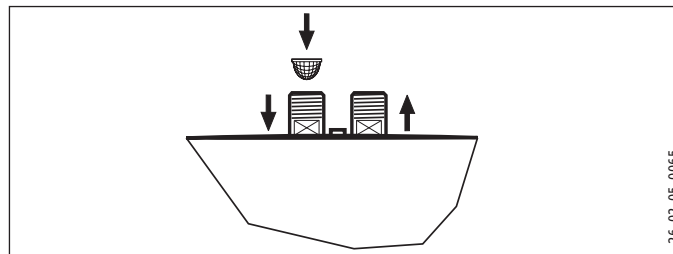
**PELIGRO: Escaldamiento**  
Cuando vacíe el aparato puede salir agua caliente.

Si necesita evacuar el aparato para realizar trabajos de mantenimiento o proteger toda la instalación en caso de heladas, deberá proceder del siguiente modo:

- ▶ Cierre la válvula de cierre en la tubería de suministro de agua fría.
- ▶ Abra la válvula de dispensado.
- ▶ Desenrosque las conexiones de agua del aparato.

#### 14.2 Limpiar el filtro

El filtro incorporado se puede limpiar tras desmontar el conducto de conexión de agua fría.



26\_02\_05\_0065

#### 14.3 Comprobaciones según VDE 0701/0702

##### Comprobación de puesta a tierra

- ▶ Compruebe el conductor de puesta a tierra (en Alemania, por ejemplo, DGUV A3) en el contacto del conductor de puesta a tierra del cable de alimentación eléctrica y en el manguito de empalme del aparato.

### Resistencia de aislamiento

Debido al control electrónico de este aparato, no se puede realizar una medición de la resistencia de aislamiento según VDE 0701/0702.

- ▶ Para comprobar la eficacia de las propiedades de aislamiento de este aparato, se recomienda realizar una medición de la corriente diferencial del conductor de puesta a tierra / corriente de fuga según la norma VDE 0701/0702 (figura C.3b).

### 14.4 Almacenaje del aparato

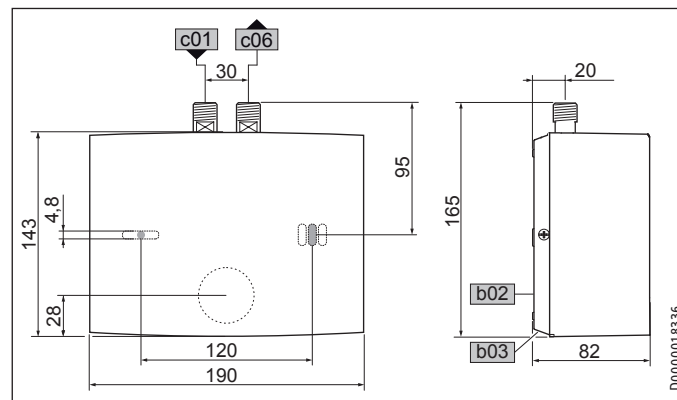
- ▶ Guarde el aparato desmontado resguardado de la escarcha, ya que hay agua residual en su interior que puede congelarse y causar daños en el aparato.

### 14.5 Cambio del cable de alimentación eléctrica en EIL 6 Premium

- ▶ En EIL 6 Premium debe usarse un cable de alimentación eléctrico de 4 mm<sup>2</sup> en caso de cambio.

## 15. Especificaciones técnicas

### 15.1 Dimensiones y conexiones

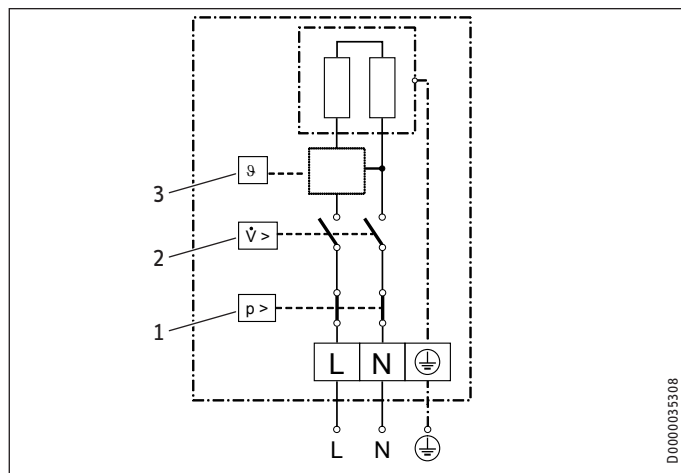


		EIL Premium
b02	Tendido de cableado eléct. I	
b03	Tendido de cableado eléct. II	
c01	Alimentación del agua fría	Rosca exterior G 3/8 A
c06	Salida de agua caliente	Rosca exterior G 3/8 A

### 15.2 Diagrama eléctrico

#### 15.2.1 EIL 3 Premium

1/N/PE ~ 200-240 V

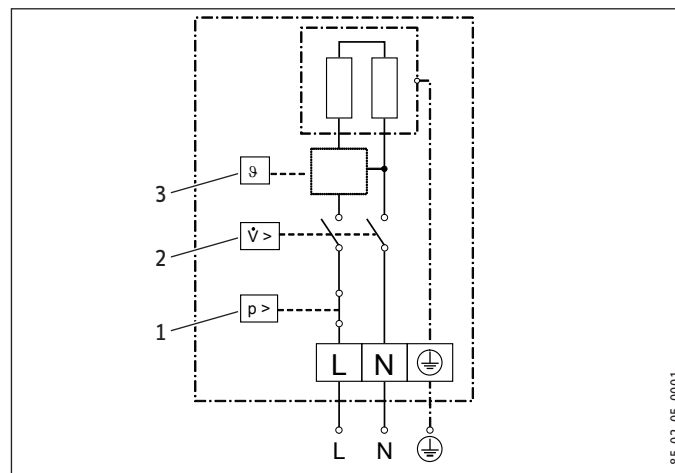


D0000035308

- 1 Limitador de presión de seguridad
- 2 Interruptor de diferencial de presión
- 3 Electrónica con sensor de temperatura de salida

#### 15.2.2 EIL 4 Premium y EIL 6 Premium

1/N/PE ~ 200-240 V



85\_02\_05\_0001

- 1 Limitador de presión de seguridad
- 2 Interruptor de diferencial de presión
- 3 Electrónica con sensor de temperatura de salida



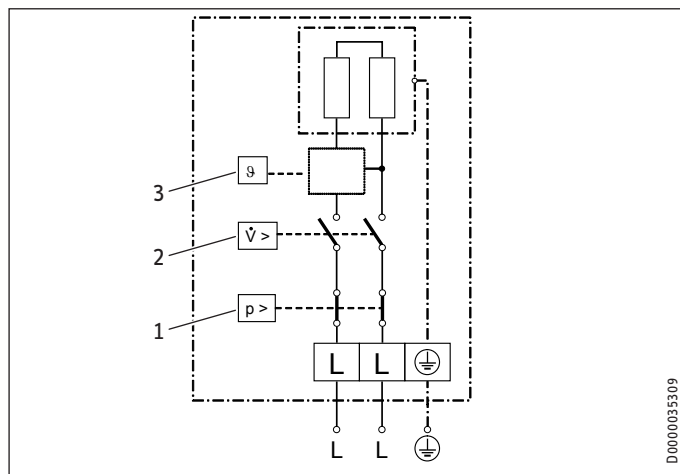
#### Daños materiales

- En caso de conexión fija, conecte el cable de alimentación eléctrica según la designación del terminal hembra.

# INSTALACIÓN

## Especificaciones técnicas

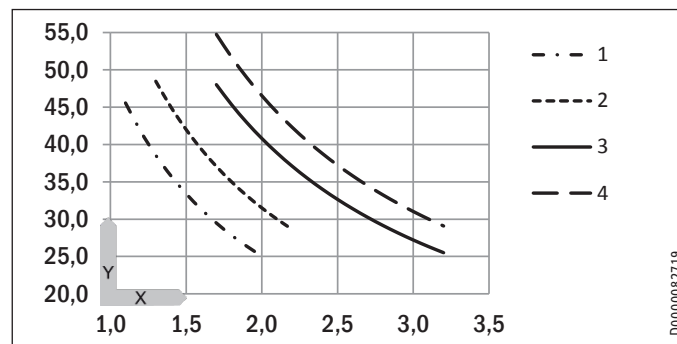
### 15.2.3 EIL 7 Premium 2/PE ~ 380-400 V



- 1 Limitador de presión de seguridad
- 2 Interruptor de diferencial de presión
- 3 Electrónica con sensor de temperatura de salida

### 15.3 Aumento de la temperatura

Se producen los siguientes aumentos de temperatura en el agua con una tensión de 230 V / 400 V:



- X Caudal en l/min  
Y Aumento de temperatura en K
- 1 3,5 kW - 230 V
  - 2 4,4 kW - 230 V
  - 3 5,7 kW - 230 V
  - 4 6,5 kW - 400 V

Ejemplo: EIL 3 Premium con 3,5 kW

Caudal	l/min	2,0
Aumento de la temperatura	K	25
Temperatura de suministro de agua fría	°C	12
Temperatura de salida máxima posible	°C	37

### 15.4 Ámbitos de aplicación

Resistencia eléctrica específica y conductividad eléctrica específica (consulte "Instalación / Especificaciones técnicas / Tabla de especificaciones")

Indicación estándar a 15 °C			20 °C			25 °C			
Resistencia	Conductividad $\sigma \leq$		Resistencia	Conductividad $\sigma \leq$		Resistencia	Conductividad $\sigma \leq$		
$\rho \geq$	$\Omega \text{ cm}$	$\mu\text{S/cm}$	$\rho \geq$	$\Omega \text{ cm}$	$\mu\text{S/cm}$	$\rho \geq$	$\Omega \text{ cm}$	$\mu\text{S/cm}$	
	100	1000	890	112	1124	815	123	1227	
	1300	77	769	1175	85	851	1072	93	933

### 15.5 Datos sobre el consumo energético

Hoja de datos del producto: Calentador convencional según reglamento (UE) n.º 812/2013 | 814/2013

		EIL 3 Premium	EIL 4 Premium	EIL 6 Premium	EIL 7 Premium
		200134	200135	200136	200137
Fabricante		STIEBEL ELTRON	STIEBEL ELTRON	STIEBEL ELTRON	STIEBEL ELTRON
Perfil de carga		XXS	XXS	XXS	XS
Clase de eficiencia energética		A	A	A	A
Rendimiento energético	%	39	39	39	40
Consumo anual de corriente	kWh	478	478	478	467
Ajuste de temperatura de fábrica	°C	38	38	38	38
Nivel de potencia acústica	dB(A)	15	15	15	15
Notas especiales para medir la eficiencia		No hay	No hay	No hay	No hay
Consumo diario de corriente	kWh	2,200	2,200	2,200	2,130

# INSTALACIÓN

## Especificaciones técnicas

### 15.6 Tabla de especificaciones

		EIL 3 Premium				EIL 4 Premium				EIL 6 Premium				EIL 7 Premium	
		200134				200135				200136				200137	
Especificaciones eléctricas															
Tensión de alimentación	V	200	220	230	240	200	220	230	240	200	220	230	240	380	400
Potencia nominal	kW	2,7	3,2	3,53	3,8	3,3	4,0	4,4	4,8	4,3	5,2	5,7	6,2	5,9	6,5
Corriente nominal	A	13,3	14,5	15,2	15,8	16,7	18,2	19,1	20,0	21,6	23,6	24,7	25,8	15,5	16,3
Fusible	A	16				20				25	25	25	32	16	20
Frecuencia	Hz	50/60				50/60				50/60				50/-	
Fases		1/N/PE				1/N/PE				1/N/PE				2/PE	
Resistencia específica $\rho_{15} \geq (a \vartheta_{frío} \leq 25 \text{ } ^\circ\text{C})$	$\Omega \text{ cm}$	1000				1000				1000				1000	
Conductividad específica $\sigma_{15} \leq (a \vartheta_{frío} \leq 25 \text{ } ^\circ\text{C})$	$\mu\text{S/cm}$	1000				1000				1000				1000	
Resistencia específica $\rho_{15} \geq (a \vartheta_{frío} > 25 \text{ } ^\circ\text{C})$	$\Omega \text{ cm}$	1300				1300				1300				1300	
Conductividad específica $\sigma_{15} \leq (a \vartheta_{frío} > 25 \text{ } ^\circ\text{C})$	$\mu\text{S/cm}$	770				770				770				770	
Impedancia máx. de red a 50 Hz	$\Omega$	0,091	0,083	0,079	0,076	0,072	0,065	0,063	0,06	0,056	0,051	0,049	0,047	0,236	0,225
Conexiones															
Conexión de agua		G 3/8 A				G 3/8 A				G 3/8 A				G 3/8 A	
Límites de utilización															
Presión máx. admisible	MPa	1				1				1				1	
Temperatura de admisión máx. para postcalentamiento	$^\circ\text{C}$	50				50				50				50	
Valores															
Temperatura de admisión máx. admisible	$^\circ\text{C}$	55				55				55				55	
Rango de ajuste de temperatura agua caliente	$^\circ\text{C}$	30-50				30-50				30-50				30-50	
ON	l/min	>1,5				>1,8				>2,2				>2,2	
Pérdida de presión en caudal	MPa	0,05				0,06				0,07				0,07	



# INSTALACIÓN

## Especificaciones técnicas

		EIL 3 Premium	EIL 4 Premium	EIL 6 Premium	EIL 7 Premium
Caudal para pérdida de presión	l/min	1,5	1,8	2,2	2,2
Límite de caudal en	l/min	2,0	2,2	3,2	3,2
Representación del ACS	l/min	2,0	2,2	3,2	3,7
$\Delta\vartheta$ en representación	K	25	25	25	25
Especificaciones hidráulicas					
Contenido nominal	l	0,1	0,1	0,1	0,1
Versiones					
Tipo de montaje sobre mesa		X	X	X	X
Tipo de montaje bajo mesa		X	X	X	X
Modelo abierto		X	X	X	X
Tipo cerrado		X	X	X	X
Clase de protección		1	1	1	1
Bloque de aislamiento		Plástico	Plástico	Plástico	Plástico
Sistema de calefacción con generador de calor		Alambre desnudo	Alambre desnudo	Alambre desnudo	Alambre desnudo
Tapa y pared posterior		Plástico	Plástico	Plástico	Plástico
Color		Blanco	Blanco	Blanco	Blanco
Tipo de protección (IP)		IP25	IP25	IP25	IP25
Dimensiones					
Altura	mm	143	143	143	143
Anchura	mm	190	190	190	190
Profundidad	mm	82	82	82	82
Longitud del cable de conexión	mm	700	700	700	700
Pesos					
Peso	kg	1,5	1,5	1,5	1,5



### Nota

El aparato cumple la norma IEC 61000-3-12.

### Garantía

Para los aparatos adquiridos fuera de Alemania no son aplicables las condiciones de garantía de nuestras sociedades alemanas. Además, en los países en los que alguna de nuestras filiales comercialice nuestros productos, la garantía sólo será otorgada por dicha filial. Este tipo de garantía únicamente se otorgará si la filial hubiera publicado unas condiciones de garantía propias. No se otorgará ninguna garantía adicional.

No otorgamos ninguna garantía para aquellos aparatos adquiridos en países en los que ninguna de nuestras filiales comercialicen nuestros productos. Cualquier garantía asegurada por el importador permanecerá inalterada.

### Medio ambiente y reciclado

► Elimine los aparatos y materiales después de su uso conforme a la normativa nacional vigente.



► Si el aparato presenta la ilustración de un cubo de basura tachado, deberá llevar el aparato a los puntos de recogida municipales o a los centros de devolución comunales para su reutilización y reciclaje.



Este documento está hecho de papel reciclable.

► Al final de la vida útil del aparato, elimine el documento conforme a la normativa nacional vigente.

## WSKAZÓWKI SPECJALNE

### OBSŁUGA

<b>1. Wskazówki ogólne</b>	<b>104</b>
1.1 Wskazówki dotyczące bezpieczeństwa	105
1.2 Inne oznaczenia stosowane w niniejszej dokumentacji	105
1.3 Jednostki miar	106
<b>2. Bezpieczeństwo</b>	<b>106</b>
2.1 Użytkowanie zgodne z przeznaczeniem	106
2.2 Ogólne wskazówki dotyczące bezpieczeństwa	106
2.3 Znak kontroli	107
<b>3. Opis urządzenia</b>	<b>107</b>
<b>4. Nastawy</b>	<b>107</b>
<b>5. Czyszczenie, pielęgnacja i konserwacja</b>	<b>108</b>
<b>6. Usuwanie problemów</b>	<b>108</b>

### INSTALACJA

<b>7. Bezpieczeństwo</b>	<b>109</b>
7.1 Ogólne wskazówki dotyczące bezpieczeństwa	109
7.2 Przepisy, normy i wymogi	109
<b>8. Opis urządzenia</b>	<b>109</b>
8.1 Zakres dostawy	109
8.2 Osprzęt	110
<b>9. Przygotowania</b>	<b>110</b>
<b>10. Montaż</b>	<b>110</b>
10.1 Miejsce montażu	110
10.2 Inne sposoby montażu	111

10.3 Wykonanie przyłącza elektrycznego	114
<b>11. Uruchomienie</b>	<b>115</b>
11.1 Pierwsze uruchomienie	115
11.2 Przekazanie urządzenia	115
11.3 Ponowne uruchomienie	115
11.4 Nastawy	116
<b>12. Wyłączenie z eksploatacji</b>	<b>117</b>
<b>13. Usuwanie usterek</b>	<b>118</b>
<b>14. Konserwacja</b>	<b>119</b>
14.1 Opróżnianie urządzenia z wody	119
14.2 Oczyszczyć sitko	120
14.3 Kontrole wg VDE 0701/0702	120
14.4 Przechowywanie urządzenia	120
14.5 Wymiana elektrycznego przewodu przyłączeniowego w EIL 6 Premium	120
<b>15. Dane techniczne</b>	<b>121</b>
15.1 Wymiary i przyłącza	121
15.2 Schemat połączeń elektrycznych	121
15.3 Podwyższenie temperatury	123
15.4 Zakresy stosowania	123
15.5 Dane dotyczące zużycia energii	124
15.6 Tabela danych	125

### GWARANCJA

### OCHRONA ŚRODOWISKA I RECYCLING

## WSKAZÓWKI SPECJALNE

- Dzieci w wieku powyżej 3 lat, osoby o obniżonej sprawności ruchowej, sensorycznej lub umysłowej, lub też osoby bez doświadczenia i odpowiedniej wiedzy mogą obsługiwać urządzenie pod nadzorem lub samodzielnie, o ile zostały poinstruowane o zasadach bezpiecznego użytkowania urządzenia i rozumieją ewentualne zagrożenia. Urządzenie nie może być używane przez dzieci do zabawy. Czyszczenia oraz konserwacji ze strony użytkownika nie wolno powierzać dzieciom bez nadzoru.
- Podczas pracy temperatura armatury może dochodzić do 55 °C. W przypadku temperatur na wyjściu wyższych niż 43 °C istnieje niebezpieczeństwo poparzenia.
- Urządzenie musi mieć możliwość odłączania od sieci elektrycznej za pomocą wielobiegunowego wyłącznika z rozwarciem styków wynoszącym min. 3 mm.
- Podane napięcie musi być zgodne z napięciem sieciowym.
- Urządzenie musi być trwale podłączone do stałego okablowania, wyjątek EIL 3 Premium.
- Urządzenie musi być podłączone do przewodu ochronnego.
- Czynności związane z wymianą sieciowego przewodu przyłączeniowego, np. w razie uszkodzenia, mogą być wykonywane wyłącznie przez wyspecjalizowanego instalatora posiadającego uprawnienia wydane przez producenta, przy użyciu oryginalnej części zamiennej.

- Zamocować urządzenie w sposób opisany w rozdziale „Instalacja / Montaż”.
- Należy przestrzegać maksymalnego dopuszczalnego ciśnienia (patrz rozdział „Instalacja / Dane techniczne / Tabela danych”).
- Oporność właściwa wody z sieci wodociągowej nie może być niższa niż podana w tabeli (patrz rozdział „Instalacja / Dane techniczne / Tabela danych”).
- Urządzenie opróżniać z wody w sposób opisany w rozdziale „Instalacja / Konserwacja / Opróżnianie urządzenia”.

## OBSŁUGA

### 1. Wskazówki ogólne

Rozdziały „Wskazówki specjalne” i „Obsługa” są przeznaczone dla użytkowników urządzenia i wyspecjalizowanych instalatorów.

Rozdział „Instalacja” przeznaczony jest dla wyspecjalizowanego instalatora.



#### Wskazówka

Przed przystąpieniem do użytkowania należy dokładnie zapoznać się z niniejszą instrukcją i zachować ją do późniejszego wykorzystania.

W przypadku przekazania urządzenia innemu użytkownikowi należy załączyć niniejszą instrukcję.

---

## 1.1 Wskazówki dotyczące bezpieczeństwa

### 1.1.1 Struktura wskazówek dotyczących bezpieczeństwa



**HASŁO OSTRZEGAWCZE - rodzaj zagrożenia**  
**W tym miejscu określone są potencjalne skutki nieprze-  
 strzegania wskazówki dotyczącej bezpieczeństwa.**  
 ► W tym miejscu są określone środki zapobiegające  
 zagrożeniu.

### 1.1.2 Symbole i rodzaje zagrożenia

Symbol	Rodzaj zagrożenia
	Obrażenia ciała
	Porażenie prądem elektrycznym
	Poparzenie (oparzenie od powierzchni, oparzenie parą)

### 1.1.3 Hasła ostrzegawcze

HASŁO OSTRZEGAWCZE	Znaczenie
ZAGROŻENIE	Wskazówki, których nieprzestrzeganie prowadzi do ciężkich obrażeń ciała lub śmierci.
OSTRZEŻENIE	Wskazówki, których nieprzestrzeganie może prowadzić do ciężkich obrażeń ciała lub śmierci.
OSTROŻNIE	Wskazówki, których nieprzestrzeganie może prowadzić do średnich lub lekkich obrażeń ciała.

## 1.2 Inne oznaczenia stosowane w niniejszej dokumentacji



### Wskazówka

Wskazówki ogólne są oznaczone symbolem umieszczonym obok.  
 ► Należy dokładnie zapoznać się z treścią wskazówek.

Symbol	Znaczenie
	Szkody materialne (uszkodzenie urządzenia, szkody następcze, zanieczyszczenie środowiska)
	Utylizacja urządzenia

► Ten symbol informuje o konieczności wykonania jakiejś czynności. Wymagane czynności opisane są krok po kroku.

### 1.3 Jednostki miar



#### Wskazówka

Jeśli nie określono innych jednostek, wszystkie wymiary podane są w milimetrach.

## 2. Bezpieczeństwo

### 2.1 Użytkowanie zgodne z przeznaczeniem

Urządzenie służy do podgrzewania wody użytkowej lub wstępnie podgrzanej. Urządzenie jest przeznaczone wyłącznie do umywalki.

Urządzenie przeznaczone jest do użytku w budownictwie mieszkaniowym. Może być bezpiecznie użytkowane przez nieprzeszkolone osoby. Urządzenie może być użytkowane również poza budownictwem mieszkaniowym, np. w budynkach gospodarczych i przemysłowych, pod warunkiem użytkowania zgodnego z przeznaczeniem.

Inne lub wykraczające poza obowiązujące ustalenia zastosowanie traktowane jest jako niezgodne z przeznaczeniem. Do użytkowania zgodnego z przeznaczeniem należy również przestrzeganie niniejszej instrukcji obsługi oraz instrukcji obsługi użytego osprzętu.

### 2.2 Ogólne wskazówki dotyczące bezpieczeństwa



#### ZAGROŻENIE poparzeniem

Podczas pracy temperatura armatury może dochodzić do 55 °C.

W przypadku temperatur na wyjściu wyższych niż 43 °C istnieje niebezpieczeństwo poparzenia.



#### OSTRZEŻENIE - obrażenia ciała

Dzieci w wieku powyżej 3 lat, osoby o obniżonej sprawności ruchowej, sensorycznej lub umysłowej, lub też osoby bez doświadczenia i odpowiedniej wiedzy mogą obsługiwać urządzenie pod nadzorem lub samodzielnie, o ile zostały poinstruowane o zasadach bezpiecznego użytkowania urządzenia i rozumieją ewentualne zagrożenia. Urządzenie nie może być używane przez dzieci do zabawy. Czyszczenia oraz konserwacji ze strony użytkownika nie wolno powierzać dzieciom bez nadzoru.



#### ZAGROŻENIE porażenia prądem elektrycznym

Uszkodzony elektryczny przewód przyłączeniowy może zostać wymieniony tylko przez wyspecjalizowanego instalatora. Dzięki temu można uniknąć ewentualnych zagrożeń.



#### Szkody materialne

Chronić urządzenie i armaturę przed mrozem.

**Szkody materialne**

Stosować wyłącznie dołączony specjalny regulator strumienia. Zapobiegać osadzaniu się kamienia na wylotach armatury (patrz rozdział „Obsługa / Czyszczenie, pielęgnacja i konserwacja”).

**2.3 Znak kontroli**

Patrz tabliczka znamionowa na urządzeniu.

**3. Opis urządzenia**

Elektronicznie regulowany mini przepływowy ogrzewacz wody utrzymuje stałą temperaturę na wylocie niezależnie od temperatury na wlocie aż do granicy mocy.

Urządzenie zostało fabrycznie nastawione na temperaturę na wyjściu konieczną do mycia rąk. W momencie osiągnięcia tej temperatury elektronika automatycznie redukuje moc urządzenia. Moc jest dopasowywana do żądanej temperatury, dlatego temperatura nie jest przekraczana.

Urządzenie podgrzewa wodę bezpośrednio w punkcie poboru po otwarciu armatury. Dzięki krótkiej instalacji powstają niewielkie straty energii i wody.

Wydajność ciepłej wody urządzenia zależy od temperatury zimnej wody, mocy grzejnej oraz przepływu.

System grzewczy z odkrytą grzałką jest przeznaczony do wody o niskiej i wysokiej zawartości wapnia. System grzewczy jest w dużym stopniu odporny na powstawanie osadów wapiennych. System grzewczy zapewnia szybkie i wydajne przygotowanie ciepłej wody w umywalce.

Wyspecjalizowany instalator może dokonać nastaw wartości maksymalnych temperatury i przepływu (patrz rozdział „Instalacja / Uruchomienie / Nastawy”).

Dzięki zamontowaniu dołączonego, specjalnego regulatora strumienia można uzyskać optymalny strumień wody.

**4. Nastawy**

Po otwarciu zaworu ciepłej wody na armaturze lub uruchomieniu czujnika armatury czujnikowej system grzewczy urządzenia załącza się automatycznie. Woda jest podgrzewana. Temperaturę wody można zmieniać za pomocą armatury.

Ilość włączeń i ograniczenie natężenia przepływu, patrz rozdział „Instalacja / Dane techniczne / Tabela danych”.

**Podwyższenie temperatury**

- ▶ Zdławić przepływ wody za pomocą armatury.

**Obniżenie temperatury**

- ▶ Otworzyć dalej armaturę. Domieszaj więcej zimnej wody.



**Po przerwie w zaopatrzeniu w wodę**

Patrz rozdział „Instalacja / Uruchomienie / Ponowne uruchomienie”.

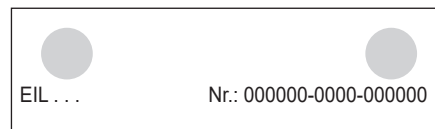
**5. Czyszczenie, pielęgnacja i konserwacja**

- ▶ Nie wolno używać środków czyszczących o właściwościach ściernych lub zmiękczających powłoki lakiernicze. Do konserwacji i czyszczenia urządzenia wystarczy wilgotna ściereczka.
- ▶ Należy regularnie sprawdzać stan armatur. Osadzający się wapien w wylotach armatur należy usuwać przy użyciu dostępnych w handlu środków do odkamieniania.
- ▶ W regularnych odstępach czasu zlecać wyspecjalizowanemu instalatorowi kontrolę bezpieczeństwa elektrycznego urządzenia.
- ▶ Należy regularnie odwapniać lub wymieniać specjalny regulator strumienia w armaturze (patrz rozdział „Instalacja / Opis urządzenia / Osprzęt”).

**6. Usuwanie problemów**

Problem	Przyczyna	Usuwanie
Urządzenie nie włącza się, mimo całkowicie otwartej armatury.	Do urządzenia nie dochodzi napięcie.	Sprawdzić bezpiecznik w instalacji domowej.
	Regulator strumienia w armaturze jest pokryty kamieniem lub zanieczyszczony.	Oczyścić i/lub odkamienić regulator strumienia lub wymienić specjalny regulator strumienia.
	Przerwa w zaopatrzeniu w wodę.	Odpowietrzyć urządzenie i dopływ zimnej wody (patrz rozdział „Instalacja / Uruchomienie / Ponowne uruchomienie”).
Żądana temperatura nie jest osiągnięta.	W urządzeniu została nastawiona zbyt niska temperatura maksymalna.	Należy zlecić nastawienie temperatury maksymalnej wyspecjalizowanemu instalatorowi.
	Urządzenie osiągnęło maksymalną moc.	Zmniejszyć natężenie przepływu.

Jeśli nie można usunąć przyczyny usterki, należy wezwać wyspecjalizowanego instalatora. W celu usprawnienia i przyspieszenia pomocy należy podać numer urządzenia z tabliczki znamionowej (000000-0000-000000).



# INSTALACJA

## 7. Bezpieczeństwo

Instalacja, uruchomienie, jak również konserwacja i naprawa urządzenia mogą być przeprowadzone wyłącznie przez wyspecjalizowanego instalatora.

### 7.1 Ogólne wskazówki dotyczące bezpieczeństwa

Producent zapewnia prawidłowe działanie i bezpieczeństwo eksploatacji tylko w przypadku stosowania oryginalnego osprzętu, przeznaczonego do tego urządzenia, oraz oryginalnych części zamiennych.



#### Szkody materialne

Nie wolno przekraczać maksymalnej temperatury na zasilaniu urządzenia. Przy wyższych temperaturach może nastąpić uszkodzenie urządzenia. Poprzez montaż centralnej armatury termostatycznej można ograniczyć maksymalną temperaturę wody na zasilaniu urządzenia.



#### **OSTRZEŻENIE porażenie prądem elektrycznym**

Urządzenie zawiera kondensatory, które rozładowują się po odłączeniu od sieci elektrycznej. Napięcie rozładowania kondensatora może wynosić chwilowo > 34 V DC.

## 7.2 Przepisy, normy i wymogi



#### Wskazówka

Należy przestrzegać krajowych i lokalnych przepisów oraz wymogów.

Właściwa oporność elektryczna wody nie może być mniejsza niż podana na tabliczce znamionowej. W przypadku sieci wodociągowej należy uwzględnić najniższą oporność elektryczną wody (patrz rozdział „Instalacja / Dane techniczne / Tabela danych”). Informacje o właściwej oporności elektrycznej lub elektrycznej przewodności wody można uzyskać w miejscowym zakładzie wodociągów.

## 8. Opis urządzenia

### 8.1 Zakres dostawy

Z urządzeniem dostarczane są:

- sitko w zasilaniu zimnej wody
- specjalny regulator strumienia
- wąż przyłączeniowy 3/8, dł. 500 mm, z uszczelkami\*
- trójnik 3/8\*
- logo firmy przy montażu urządzenia powyżej punktu poboru

\* do podłączenia jako urządzenie ciśnieniowe

# INSTALACJA

## Przygotowania

### 8.2 Osprzęt

#### Specjalny regulator strumienia



#### Wskazówka

Dzięki zamontowaniu specjalnego regulatora strumienia w armaturze można uzyskać optymalny strumień wody.

#### Armatury bezciśnieniowe

- MAW (OT) - Armatura ścienna do montażu powyżej punktu poboru
- MAZ (UT) - Armatura dwuuchwytowa do umywalki
- MAE-W (UTE) - Armatura jednodźwigniowa do umywalki

#### Armatury ciśnieniowe

Odpowiednie armatury ciśnieniowe można nabyć w specjalistycznych sklepach.

## 9. Przygotowania

- ▶ Przepłukać dokładnie instalację wodną.

#### Instalacja wodna

Zawór bezpieczeństwa nie jest potrzebny.

#### Armatury

- ▶ Należy stosować odpowiednie armatury.

## 10. Montaż

### 10.1 Miejsce montażu

Urządzenie należy zamontować w pomieszczeniu zabezpieczonym przed mrozem, w pobliżu armatury odbiorczej.

Zwrócić uwagę na dostępność bocznych wkrętów mocujących pokrywę.

Urządzenie przeznaczone jest do montażu poniżej punktu poboru wody (przyłącza wody na górze) i powyżej punktu poboru wody (przyłącza wody na dole).



**ZAGROŻENIE** porażenia prądem elektrycznym  
Śruba justująca do regulacji natężenia przepływu przewodzi napięcie. Stopień ochrony IP 25 jest zapewniony tylko przy zamontowanej ścianie tylnej urządzenia.

- ▶ Zawsze montować ściankę tylną urządzenia.

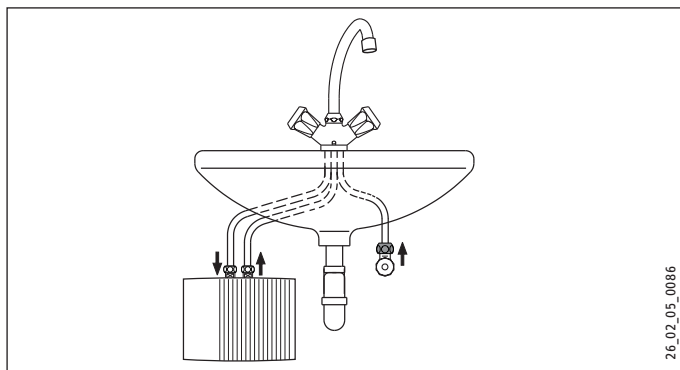
# INSTALACJA

## Montaż

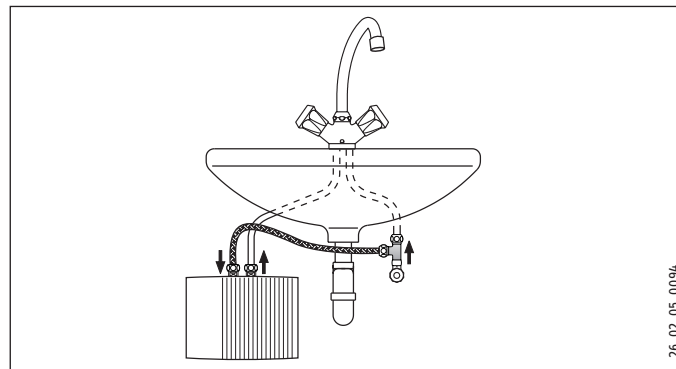
### 10.2 Inne sposoby montażu

#### 10.2.1 Montaż poniżej punktu poboru wody

##### Z armaturą bezciśnieniową



##### Z armaturą ciśnieniową



##### Montaż urządzenia



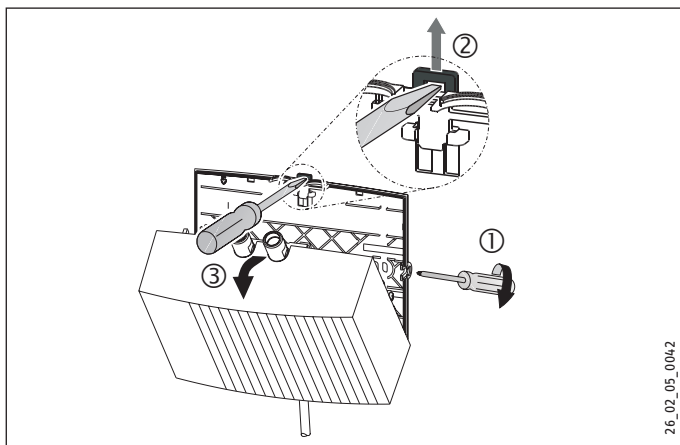
##### Wskazówka

Ściana musi mieć odpowiednią nośność.

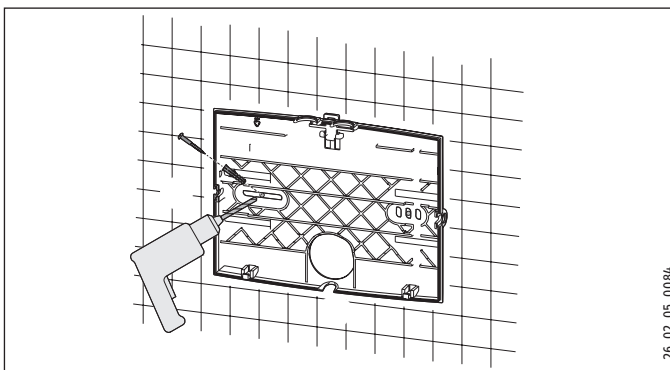
- ▶ Zamontować urządzenie na ścianie.

# INSTALACJA

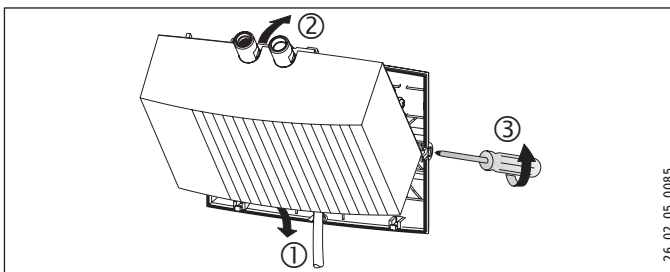
## Montaż



- ▶ Wkręty mocujące osłonę odkręcić o dwa obroty.
- ▶ Odblokować zamknięcie zapadkowe za pomocą śrubokręta.
- ▶ Zdjąć do przodu pokrywę urządzenia z systemem grzewczym.
- ▶ Wyłamać przy użyciu obcęży otwór przepustowy na elektryczny przewód przyłączeniowy w pokrywie urządzenia. Ewentualne nierówności usunąć pilnikiem.



- ▶ Tylną ściankę urządzenia użyć jako szablonu do nawiercania otworów.
- ▶ Zamocować ściankę tylną urządzenia odpowiednimi kołkami rozporowymi i wkrętami na ścianie.



## INSTALACJA

### Montaż

- ▶ Przełożyć elektryczny przewód przyłączeniowy przez otwór przepustowy tylnej ścianki.
- ▶ Zaczepić pokrywę urządzenia z systemem grzewczym na dole.
- ▶ Zablokować system grzewczy w zamknięciu zapadkowym.
- ▶ Zamocować pokrywę urządzenia wkrętami mocującymi pokrywę.

#### Montaż armatury



##### Szkody materialne

- ▶ Podczas montażu wszystkich przyłączy należy kontrolować króćce przyłączeniowe urządzenia za pomocą klucza o rozmiarze 14.
- ▶ Zamontować armaturę. Należy przestrzegać przy tym instrukcji obsługi i instalacji armatury.

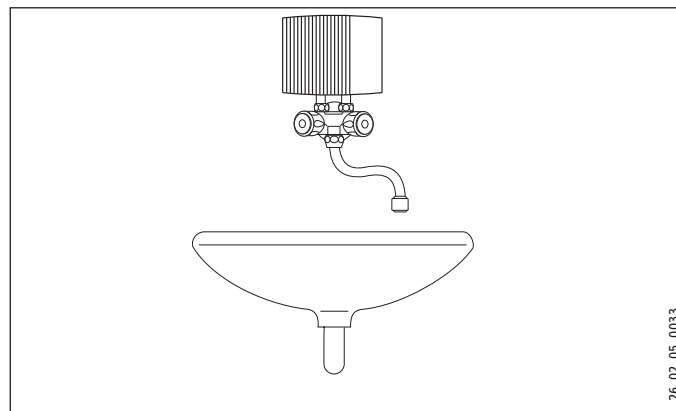
#### Armatura ciśnieniowa



##### Wskazówka

- ▶ Zamontować dołączony wąż przyłączeniowy 3/8 oraz trójnik 3/8.

#### 10.2.2 Montaż powyżej punktu poboru wody, bezciśnieniowy, z armaturą bezciśnieniową



#### Montaż armatury



##### Szkody materialne

- ▶ Podczas montażu wszystkich przyłączy należy kontrolować króćce przyłączeniowe urządzenia za pomocą klucza o rozmiarze 14.
- ▶ Zamontować armaturę. Należy przestrzegać przy tym instrukcji obsługi i instalacji armatury.

### Montaż urządzenia

- ▶ Zamontować urządzenie razem z przyłączami wody na armaturze.

### 10.3 Wykonanie przyłącza elektrycznego



**ZAGROŻENIE** porażenia prądem elektrycznym  
Wszystkie elektryczne prace przyłączeniowe i instalacyjne należy wykonywać zgodnie z przepisami.



**ZAGROŻENIE** porażenia prądem elektrycznym  
Zwrócić uwagę, aby urządzenie zostało podłączone do przewodu ochronnego. Urządzenie musi mieć możliwość odłączania od sieci elektrycznej za pomocą wielobiegunowego wyłącznika z rozwarciem styków wynoszącym min. 3 mm.



**ZAGROŻENIE** porażenia prądem elektrycznym  
Urządzenia w momencie dostawy są wyposażone w elektryczny przewód przyłączeniowy (EIL 3 Premium z wtyczką).

Urządzenie można podłączyć do poprowadzonego na stałe przewodu elektrycznego, jeśli jego pole przekroju jest przynajmniej równe polu przekroju seryjnego przewodu przyłączeniowego urządzenia. Maksymalne pole przekroju przewodu może wynosić 3 x 6 mm<sup>2</sup>.

- ▶ W przypadku montażu urządzenia powyżej punktu poboru wody elektryczne przewody przyłączeniowe muszą być poprowadzone za urządzeniem.



#### Szkody materialne

Przy podłączaniu do gniazda wtykowego z zestykiem ochronnym (dotyczy elektrycznego przewodu przyłączeniowego z wtyczką) należy zwrócić uwagę, aby po instalacji urządzenia do gniazda wtykowego był swobodny dostęp.



#### Szkody materialne

Zwrócić uwagę na treść tabliczki znamionowej. Podane napięcie musi być zgodne z napięciem sieciowym.

- ▶ Podłączyć elektryczny przewód przyłączeniowy według schematu połączeń elektrycznych (patrz rozdział „Instalacja / Dane techniczne / Schemat połączeń elektrycznych”).

### 11. Uruchomienie

#### 11.1 Pierwsze uruchomienie



- ▶ Napełniać urządzenie przez co najmniej jedną minutę, pobierając kilkakrotnie wodę z armatury, aby usunąć powietrze z instalacji i urządzenia.
- ▶ Przeprowadzić kontrolę szczelności.
- ▶ Podłączyć wtyczkę elektrycznego przewodu przyłączeniowego (jeśli jest) do gniazda wtykowego z zestykiem ochronnym lub załączyć bezpiecznik.
- ▶ Sprawdzić prawidłowość pracy urządzenia.
- ▶ W przypadku montażu powyżej punktu poboru należy zakleić logo firmy nalepką dołączoną do zestawu, we właściwej pozycji.

#### 11.2 Przekazanie urządzenia

- ▶ Objaśnić użytkownikowi sposób działania urządzenia i zapoznać go ze sposobem użytkowania.
- ▶ Poinformować użytkownika o potencjalnych zagrożeniach, zwłaszcza o niebezpieczeństwie poparzenia.
- ▶ Przekazać niniejszą instrukcję.

#### 11.3 Ponowne uruchomienie



##### Szkody materialne

Aby nie uszkodzić systemu grzewczego z odkrytą grzałką, po przerwie w dopływie wody należy ponownie uruchomić urządzenie, wykonując poniższe czynności.

- ▶ Odłączyć wszystkie bieguny urządzenia od zasilania elektrycznego. W tym celu odłączyć wtyczkę elektrycznego przewodu przyłączeniowego (jeśli jest) lub wyłączyć bezpiecznik.
- ▶ Kilkakrotnie otworzyć i zamknąć w ciągu jednej minuty wszystkie podłączone armatury poboru wody, aby usunąć powietrze z urządzenia i podłączonego przewodu zasilania zimnej wody.
- ▶ Włączyć ponownie napięcie sieciowe.



# INSTALACJA

## Uruchomienie

### 11.4 Nastawy

Możliwa jest zmiana wartości maksymalnego przepływu i temperatury.



**ZAGROŻENIE** porażenia prądem elektrycznym

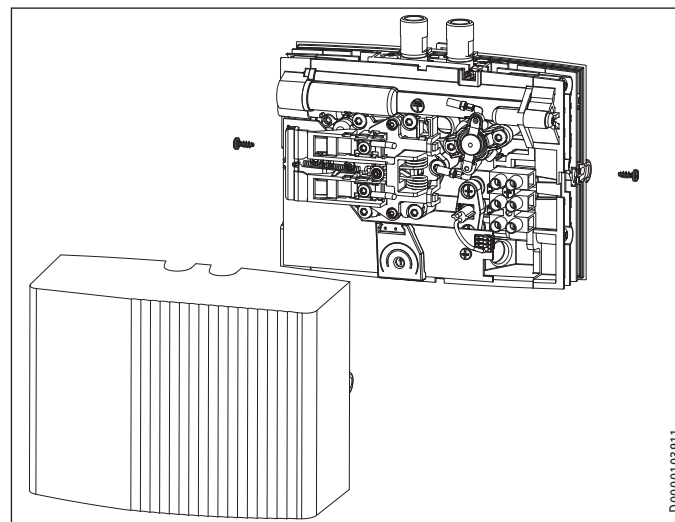
Zmiana przepływu i nastawianie temperatury są dopuszczalne wyłącznie po odłączeniu urządzenia od sieci elektrycznej.

- ▶ Odłączyć urządzenie na wszystkich biegunach od przyłącza sieciowego.



**ZAGROŻENIE** porażenia prądem elektrycznym

Śruba regulacyjna do zmiany przepływu i potencjometr do nastawiania temperatury będą pod napięciem, jeśli urządzenie nie zostanie odłączone od sieci elektrycznej.

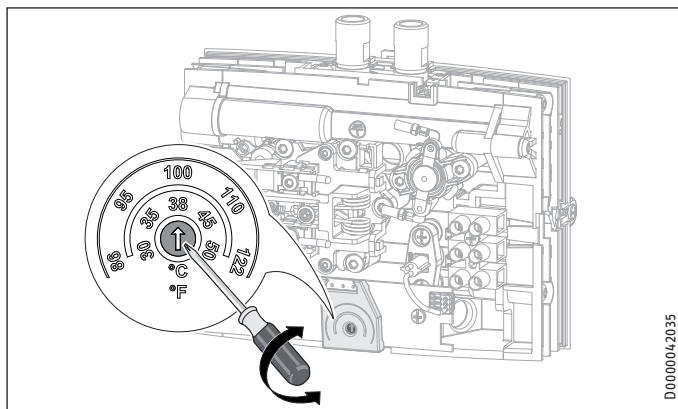


D0000103911

- ▶ Zdjąć pokrywę urządzenia.

### Nastawianie temperatury maksymalnej

Nastawa fabryczna: 38 °C

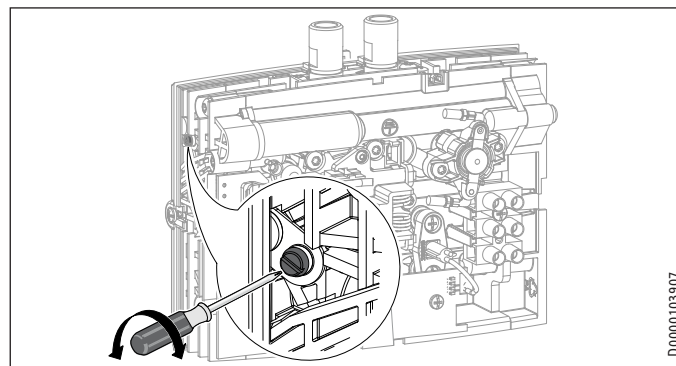


D0000042035

- ▶ Nastawić żądaną temperaturę maksymalną na potencjome-  
trze przy użyciu wkrętaka.
- ▶ Zamontować osłonę urządzenia.

### Ograniczenie przepływu

Nastawa fabryczna: Maksymalne natężenie przepływu



D0000103907

- ▶ Za pomocą śruby regulacyjnej nastawić żądany przepływ:
  - Najmniejszy przepływ = wkręcić śrubę do oporu.
  - Maksymalne natężenie przepływu = wykręcić śrubę do oporu.
- ▶ Zamontować osłonę urządzenia.

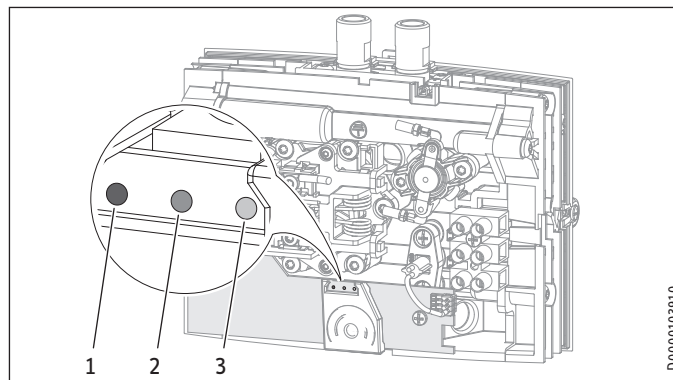
## 12. Wyłączenie z eksploatacji

- ▶ Urządzenie odłączyć od napięcia sieciowego za pomocą bez-  
piecznika w sieci instalacji domowej lub wyciągnąć wtyczkę  
elektrycznego przewodu przyłączeniowego.
- ▶ Opróżnić urządzenie (patrz rozdział „Instalacja / Konserwacja”).

### 13. Usuwanie usterek

Problem	Przyczyna	Usuwanie
Urządzenie nie włącza się, mimo całkowicie otwartej armatury.	Regulator strumienia w armaturze jest pokryty kamieniem lub zanieczyszczony.	Oczyszczyć i/lub odkamienić regulator strumienia lub wymienić specjalny regulator strumienia.
	Przepływ jest za słaby.	Zwiększyć przepływ.
	Sitko w przewodzie zimnej wody jest zatkane.	Wyczyścić sitko po zamknięciu zaworu odcinającego.
	System grzewczy jest uszkodzony.	Zmierzyć rezystancję systemu grzewczego, ew. wymienić urządzenie.
	Ogranicznik ciśnienia bezpieczeństwa spowodował wyłączenie.	Usunąć przyczynę usterki. Odłączyć urządzenie do sieci elektrycznej i odciążić przewód wody. Aktywować ogranicznik ciśnienia bezpieczeństwa.
Żądana temperatura nie jest osiągnięta. Żółte wskazanie miga.	Urządzenie osiągnęło maksymalną moc.	Zmniejszyć natężenie przepływu.

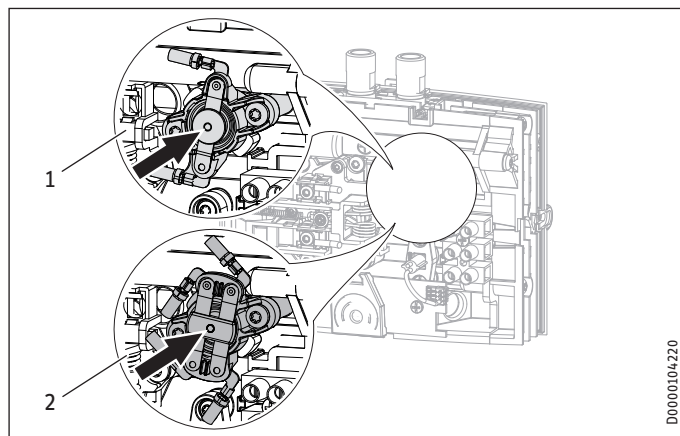
### Wyświetlacz diodowy LED



D0000103910

- 1 Kolor czerwony w przypadku zakłócenia
- 2 Żółte wskazanie w trybie grzania / migające przy przekroczeniu granicy mocy
- 3 Kolor zielony migający w przypadku zasilania napięciem elektroniki

### Aktywacja ogranicznika ciśnienia bezpieczeństwa



- 1 1-stykowy ogranicznik ciśnienia bezpieczeństwa EIL 4 Premium / EIL 6 Premium
- 2 2-stykowy ogranicznik ciśnienia bezpieczeństwa EIL 3 Premium / EIL 7 Premium

D00000104220

## 14. Konserwacja



**ZAGROŻENIE** porażenia prądem elektrycznym  
Przed przystąpieniem do wszelkich prac należy odłączyć urządzenie na wszystkich biegunach od sieci.

### 14.1 Opróżnianie urządzenia z wody



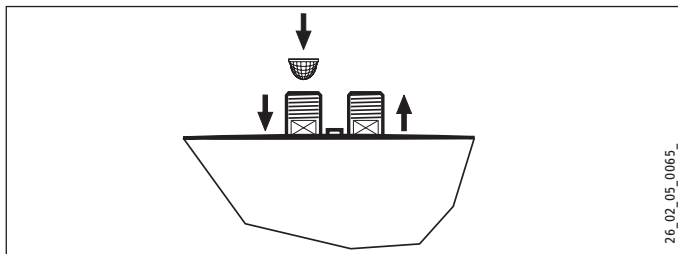
**ZAGROŻENIE** poparzeniem  
Podczas opróżniania z urządzenia może wypływać gorąca woda.

Jeśli konieczne jest opróżnienie urządzenia przed przystąpieniem do prac konserwacyjnych lub w razie wystąpienia ryzyka zamarznięcia całej instalacji, należy postępować w następujący sposób:

- ▶ Zamknąć zawór odcinający w instalacji zasilania zimnej wody.
- ▶ Otworzyć zawór poboru wody.
- ▶ Odkręcić przyłącza wody od urządzenia.

### 14.2 Oczyszczyć sitko

Zamontowane sitko można oczyścić po demontażu przewodu przyłączeniowego zimnej wody.



### 14.3 Kontrole wg VDE 0701/0702

#### Kontrola przewodu ochronnego

- ▶ Skontrolować przewód ochronny (w Niemczech np. zgodnie z DGUV A3) na styku przewodu ochronnego elektrycznego przewodu przyłączeniowego oraz na króćcu przyłączeniowym urządzenia.

#### Oporność izolacji

Z uwagi na elektroniczne sterowanie tego urządzenia pomiar oporu izolacji zgodnie z VDE 0701/0702 nie jest możliwy do przeprowadzenia.

- ▶ W celu kontroli skuteczności właściwości izolacyjnych tego urządzenia zalecamy przeprowadzenie pomiaru prądu różnicowego prądu przewodu ochronnego / prądu upływowego wg VDE 0701/0702 (rys. C.3b).

### 14.4 Przechowywanie urządzenia

- ▶ Zdemontowane urządzenie przechowywać w miejscu zabezpieczonym przed mrozem, ponieważ resztki wody pozostałe w urządzeniu mogą doprowadzić do jego zamarznięcia i uszkodzenia.

### 14.5 Wymiana elektrycznego przewodu przyłączeniowego w EIL 6 Premium

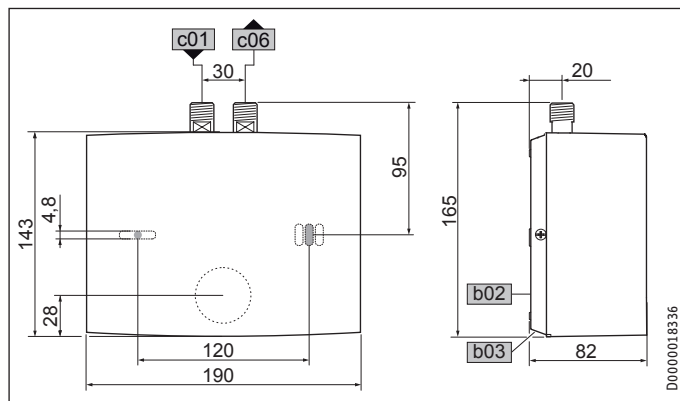
- ▶ W razie wymiany w urządzeniu EIL 6 Premium należy zastosować elektryczny przewód przyłączeniowy o przekroju 4 mm<sup>2</sup>.

# INSTALACJA

## Dane techniczne

### 15. Dane techniczne

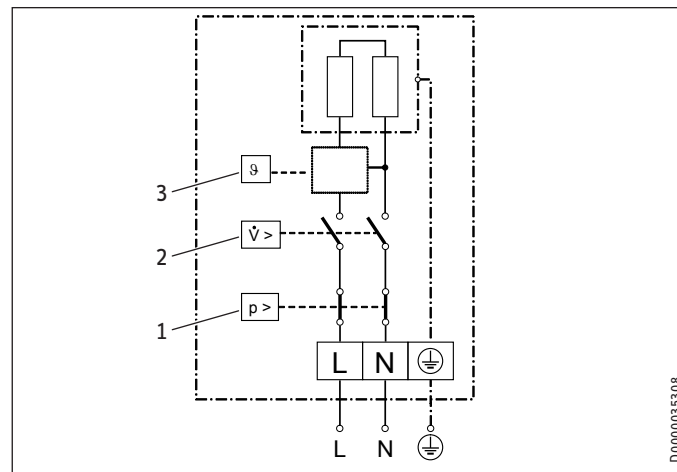
#### 15.1 Wymiary i przyłącza



		EIL Premium	
b02	Przepust na przewody elektr. I		
b03	Przepust na przewody elektr. II		
c01	Zimna woda zasilanie	Gwint zewnętrzny	G 3/8 A
c06	Ciepła woda wyjście	Gwint zewnętrzny	G 3/8 A

### 15.2 Schemat połączeń elektrycznych

#### 15.2.1 EIL 3 Premium 1/N/PE ~ 200-240 V

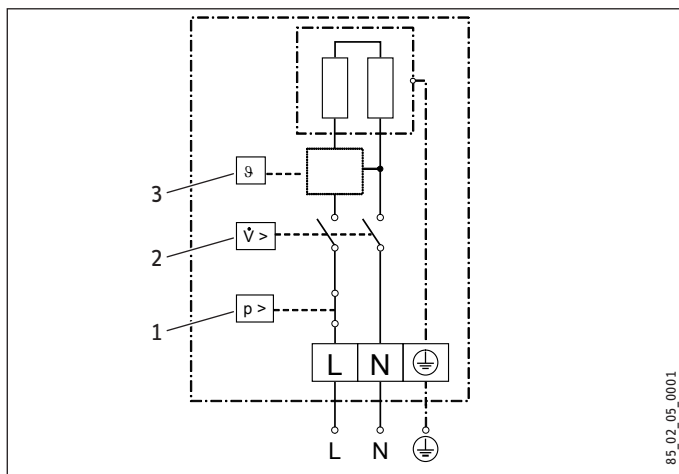


- 1 Ogranicznik ciśnienia bezpieczeństwa
- 2 Różnicowy przełącznik ciśnieniowy
- 3 Elektronika z czujnikiem temperatury na wyjściu

# INSTALACJA

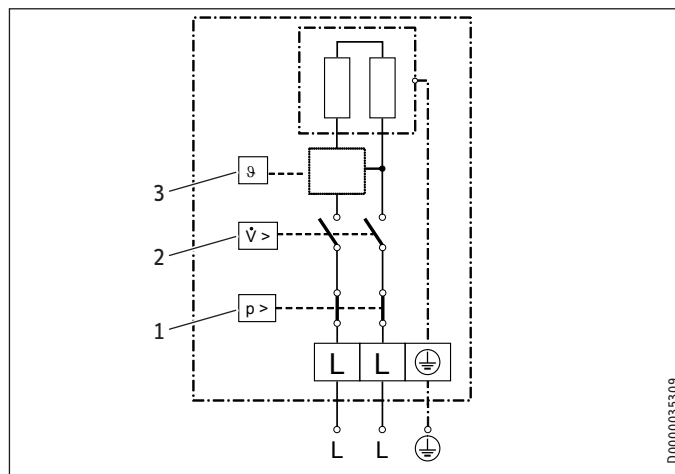
## Dane techniczne

### 15.2.2 EIL 4 Premium i EIL 6 Premium 1/N/PE ~ 200-240 V



- 1 Ogranicznik ciśnienia bezpieczeństwa
- 2 Różnicowy przełącznik ciśnieniowy
- 3 Elektronika z czujnikiem temperatury na wyjściu

### 15.2.3 EIL 7 Premium 2/PE ~ 380-400 V



- 1 Ogranicznik ciśnienia bezpieczeństwa
- 2 Różnicowy przełącznik ciśnieniowy
- 3 Elektronika z czujnikiem temperatury na wyjściu



#### Szkody materialne

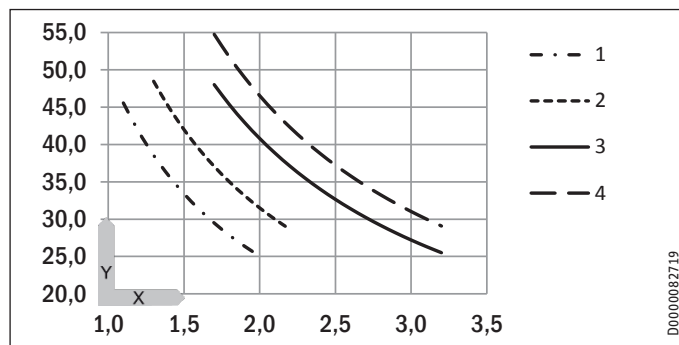
- ▶ W przypadku podłączenia na stałe elektryczny przewód przyłączeniowy należy podłączyć do zacisku tulejkowego zgodnie z oznaczeniem zacisków.

# INSTALACJA

## Dane techniczne

### 15.3 Podwyższenie temperatury

Przy napięciu 230 V / 400 V uzyskuje się następujące podwyższenia temperatury wody:



X Przepływ w l/min

Y Podwyższenie temperatury w K

1 3,5 kW – 230 V

2 4,4 kW – 230 V

3 5,7 kW – 230 V

4 6,5 kW – 400 V

**Przykład EIL 3 Premium z 3,5 kW**

Natężenie przepływu	l/min	2,0
Podwyższenie temperatury	K	25
Temperatura zasilania zimnej wody	°C	12
Maksymalna możliwa temperatura na wyjściu	°C	37

### 15.4 Zakresy stosowania

Właściwa oporność elektryczna i właściwa przewodność elektryczna, patrz „Instalacja / Dane techniczne / Tabela danych”

Wartość znamionowa przy 15 °C			20 °C			25 °C		
Oporność $\rho \geq$	Przewodność $\sigma \leq$	$\mu S/cm$	Oporność $\rho \geq$	Przewodność $\sigma \leq$	$\mu S/cm$	Oporność $\rho \geq$	Przewodność $\sigma \leq$	$\mu S/cm$
$\Omega cm$	mS/m		$\Omega cm$	mS/m		$\Omega cm$	mS/m	
1000	100	1000	890	112	1124	815	123	1227
1300	77	769	1175	85	851	1072	93	933



### 15.5 Dane dotyczące zużycia energii

Karta danych produktu: Konwencjonalne ogrzewacze wody użytkowej w rozumieniu rozporządzenia (UE) nr 812/2013 i 814/2013

		EIL 3 Premium	EIL 4 Premium	EIL 6 Premium	EIL 7 Premium
		200134	200135	200136	200137
Producent		STIEBEL ELTRON	STIEBEL ELTRON	STIEBEL ELTRON	STIEBEL ELTRON
Profil obciążenia		XXS	XXS	XXS	XS
Klasa efektywności energetycznej		A	A	A	A
Sprawność energetyczna	%	39	39	39	40
Roczne zużycie prądu	kWh	478	478	478	467
Fabryczne ustawienie temperatury	°C	38	38	38	38
Poziom mocy akustycznej	dB(A)	15	15	15	15
Szczególne uwagi dotyczące pomiaru efektywności		Brak	Brak	Brak	Brak
Dzienne zużycie prądu	kWh	2,200	2,200	2,200	2,130

# INSTALACJA

## Dane techniczne

### 15.6 Tabela danych

		EIL 3 Premium				EIL 4 Premium				EIL 6 Premium				EIL 7 Premium	
		200134				200135				200136				200137	
Dane elektryczne															
Napięcie znamionowe	V	200	220	230	240	200	220	230	240	200	220	230	240	380	400
Moc znamionowa	kW	2,7	3,2	3,53	3,8	3,3	4,0	4,4	4,8	4,3	5,2	5,7	6,2	5,9	6,5
Prąd znamionowy	A	13,3	14,5	15,2	15,8	16,7	18,2	19,1	20,0	21,6	23,6	24,7	25,8	15,5	16,3
Zabezpieczenie	A	16				20				25	25	25	32	16	20
Częstotliwość	Hz	50/60				50/60				50/60				50/-	
fazy		1/N/PE				1/N/PE				1/N/PE				2/PE	
Oporność właściwa $\rho_{15} \geq$ (przy $\vartheta$ zimnej $\leq 25$ °C)	$\Omega$ cm	1000				1000				1000				1000	
Przewodność właściwa $\sigma_{15} \leq$ (przy $\vartheta$ zimnej $\leq 25$ °C)	$\mu S/cm$	1000				1000				1000				1000	
Oporność właściwa $\rho_{15} \geq$ (przy $\vartheta$ zimnej $> 25$ °C)	$\Omega$ cm	1300				1300				1300				1300	
Przewodność właściwa $\sigma_{15} \leq$ (przy $\vartheta$ zimnej $> 25$ °C)	$\mu S/cm$	770				770				770				770	
Maks. impedancja sieci przy 50 Hz	$\Omega$	0,091	0,083	0,079	0,076	0,072	0,065	0,063	0,06	0,056	0,051	0,049	0,047	0,236	0,225
Przyłącza															
Przyłącze wody		G 3/8 A				G 3/8 A				G 3/8 A				G 3/8 A	
Granice stosowania															
Maks. dopuszczalne ciśnienie	MPa	1				1				1				1	
Maks. temperatura na zasilaniu do podgrzewania	°C	50				50				50				50	
Wartości															
Maks. dopuszczalna temperatura wody na zasilaniu	°C	55				55				55				55	
Zakres nastaw temperatury ciepłej wody	°C	30-50				30-50				30-50				30-50	
Wł.	l/min	$>1,5$				$>1,8$				$>2,2$				$>2,2$	
Strata ciśnienia przy natężeniu przepływu	MPa	0,05				0,06				0,07				0,07	
Przepływ przy spadku ciśnienia	l/min	1,5				1,8				2,2				2,2	

# INSTALACJA

## Dane techniczne

		EIL 3 Premium	EIL 4 Premium	EIL 6 Premium	EIL 7 Premium
Ograniczenie przepływu przy	l/min	2,0	2,2	3,2	3,2
Wydajność CWU	l/min	2,0	2,2	3,2	3,7
$\Delta\theta$ przy wydajności	K	25	25	25	25
<b>Dane hydrauliczne</b>					
Pojemność znamionowa	l	0,1	0,1	0,1	0,1
<b>Wykonania</b>					
Montaż nad punktem poboru		X	X	X	X
Montaż poniżej punktu poboru		X	X	X	X
Konstrukcja bezciśnieniowa		X	X	X	X
Konstrukcja ciśnieniowa		X	X	X	X
Klasa ochrony		1	1	1	1
Blok izolacyjny		Tworzywo sztuczne	Tworzywo sztuczne	Tworzywo sztuczne	Tworzywo sztuczne
Wytwornica ciepła systemu grzewczego		Z odkrytą grzałką	Z odkrytą grzałką	Z odkrytą grzałką	Z odkrytą grzałką
Pokrywa i ścianka tylna		Tworzywo sztuczne	Tworzywo sztuczne	Tworzywo sztuczne	Tworzywo sztuczne
Kolor		Biały	Biały	Biały	Biały
Stopień ochrony (IP)		IP 25	IP 25	IP 25	IP 25
<b>Wymiary</b>					
Wysokość	mm	143	143	143	143
Szerokość	mm	190	190	190	190
Głębokość	mm	82	82	82	82
Długość przewodu przyłączeniowego	mm	700	700	700	700
<b>Masy</b>					
Masa	kg	1,5	1,5	1,5	1,5



### Wskazówka

Urządzenie jest zgodne z IEC 61000-3-12.

## Gwarancja

Urządzeń zakupionych poza granicami Niemiec nie obejmują warunki gwarancji naszych niemieckich spółek. Ponadto w krajach, w których jedna z naszych spółek córek jest dystrybutorem naszych produktów, gwarancji może udzielić wyłącznie ta spółka. Taka gwarancja obowiązuje tylko wówczas, gdy spółka-córka sformułowała własne warunki gwarancji. W innych przypadkach gwarancja nie jest udzielana.

Nie udzielamy gwarancji na urządzenia zakupione w krajach, w których żadna z naszych spółek córek nie jest dystrybutorem naszych produktów. Ewentualne gwarancje udzielone przez importera zachowują ważność.

## Ochrona środowiska i recycling

- ▶ Urządzenia i materiały po ich wykorzystaniu należy utylizować zgodnie z krajowymi przepisami.



- ▶ Jeśli na urządzeniu znajduje się symbol przekreślonego pojemnika na odpady, w celu ponownego użycia i utylizacji urządzenie należy przekazać do komunalnych punktów zbiórki lub punktów odbioru w sieci sprzedaży.



PAP

Ten dokument został wydrukowany na papierze nadającym się do recyklingu.

- ▶ Po wycofaniu urządzenia z eksploatacji dokument należy zutylizować zgodnie z krajowymi przepisami.

Comfort through Technology

**STIEBEL ELTRON International GmbH**

Dr.-Stiebel-Straße 33 | 37603 Holzminden | Germany  
info@stiebel-eltron.com | www.stiebel-eltron.com



A 355370-45653-9857  
B 334000-45653-9857

Ovaj dokument je originalno proizveden i objavljen od strane proizvođača, brenda Stiebel Eltron, i preuzet je sa njihove zvanične stranice. S obzirom na ovu činjenicu, Tehnoteka ističe da ne preuzima odgovornost za tačnost, celovitost ili pouzdanost informacija, podataka, mišljenja, saveta ili izjava sadržanih u ovom dokumentu.

Napominjemo da Tehnoteka nema ovlašćenje da izvrši bilo kakve izmene ili dopune na ovom dokumentu, stoga nismo odgovorni za eventualne greške, propuste ili netačnosti koje se mogu naći unutar njega. Tehnoteka ne odgovara za štetu nanесenu korisnicima pri upotrebi netačnih podataka. Ukoliko imate dodatna pitanja o proizvodu, ljubazno vas molimo da kontaktirate direktno proizvođača kako biste dobili sve detaljne informacije.

Za najnovije informacije o ceni, dostupnim akcijama i tehničkim karakteristikama proizvoda koji se pominje u ovom dokumentu, molimo posetite našu stranicu klikom na sledeći link:

<https://tehnoteka.rs/p/stiebel-eltron-protocni-bojler-eil-7-premium-akcija-cena/>