

## Uputstvo za montažu

MARVO SCORPION CH-106 crvena gejmerska stolica



Tehnoteka je online destinacija za upoređivanje cena i karakteristika bele tehnike, potrošačke elektronike i IT uređaja kod trgovinskih lanaca i internet prodavnica u Srbiji. Naša stranica vam omogućava da istražite najnovije informacije, detaljne karakteristike i konkurentne cene proizvoda.

Posetite nas i uživajte u ekskluzivnom iskustvu pametne kupovine klikom na link:

<https://tehnoteka.rs/p/marvo-scorpion-ch-106-crvena-gejmerska-stolica-akcija-cena/>

PRODUCT  
USE  
GUIDE



www.marvo-tech.com

QUICK  
INSTALLATION  
GUIDE

# CH-106

## ADVANCED GAMING CHAIR

TECH SPECS

- 100 mm gas lift system
- 350 mm nylon base arms
- Materials: PU, PVC
- Backrest width: 57 cm
- Armrest height: 33cm
- Seat width: 53 cm
- Backrest height: 85 cm
- Seat depth: 50 cm
- Seat adjustable height: 44 - 54 cm
- Chair height: 125 - 135 cm
- Maximum load: 150 kg
- N.W.: 16.5 kg

QUICK  
INSTALLATION  
GUIDE

PRODUCT PRESENTATION

FEATURES

- Stable and sturdy nylon base; pu caster wheels
- Butterfly adjusting mechanism; 360 degree rotation
- Full backwards backrest swivel for a flat position
- Camber pvc armrest



QUICK  
INSTALLATION  
GUIDE

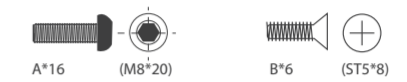
SAFETY NOTES

- Keep the equipment dry. Keep away from precipitation, humidity, all types of liquids and condensation.
- Do not use the product with wet hands.
- Do not use or store the equipment in dusty or dirty areas.
- Do not store the equipment under high-temperature or low-temperature conditions (this may damage it).
- Do not drop, knock or shake the equipment (use may result in breakage).

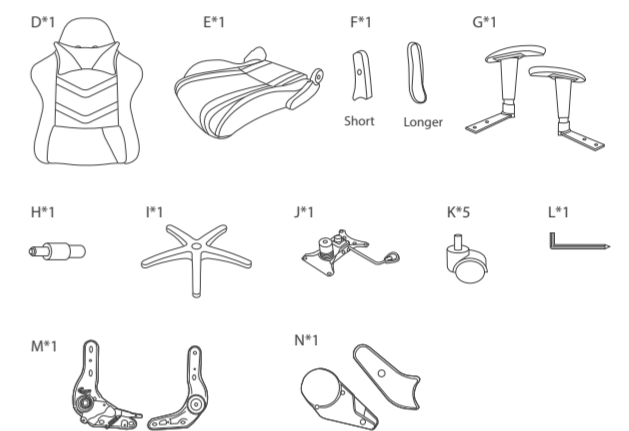
QUICK  
INSTALLATION  
GUIDE

INSTALLATION

- Please read the following steps carefully

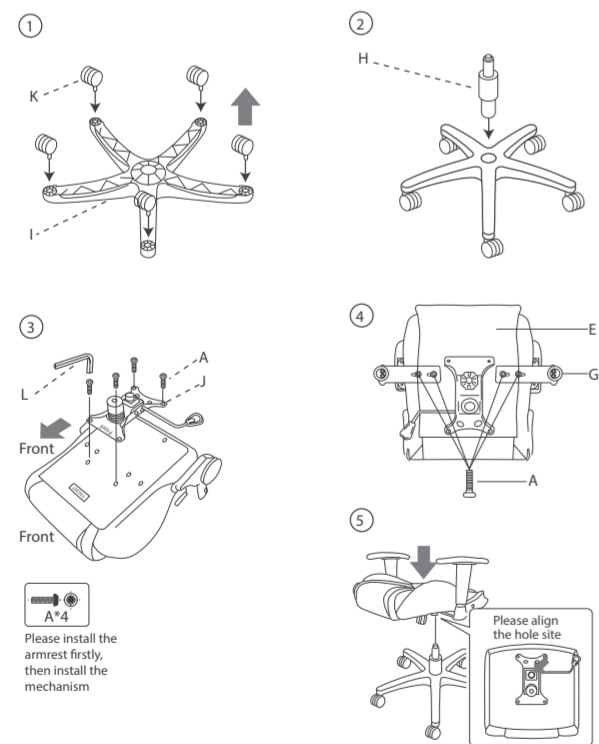


Chair Parts

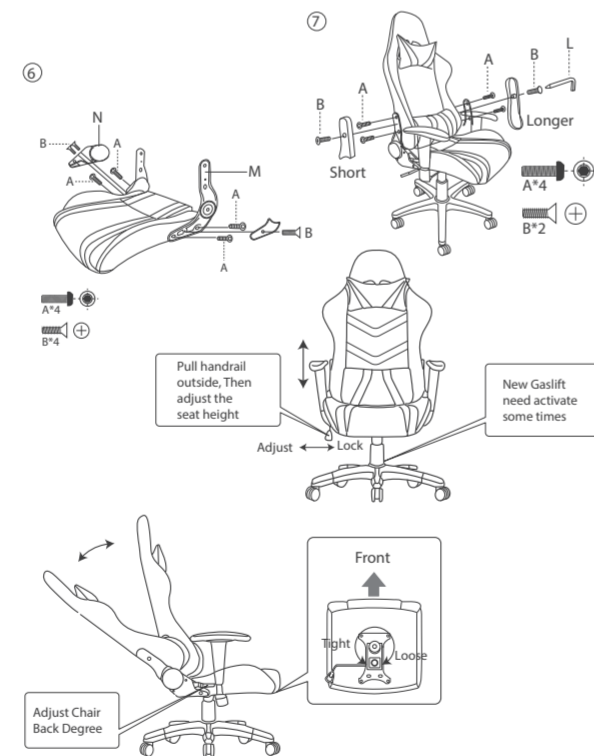


www.marvo-tech.com

QUICK  
INSTALLATION  
GUIDE



QUICK  
INSTALLATION  
GUIDE



QUICK  
INSTALLATION  
GUIDE

GENERAL INFORMATION

- Unauthorized repairs or disassembly of the product will void the warranty and may cause its damage.
- This product is safe and complies to EU requirements.
- This product is manufactured conforming with the European RoHS standard.
- This standard was introduced to reduce the amount of electrical and electronic waste emitted into the atmosphere.
- Using the WEEE symbol (the crossed-out bin) indicates that the electrical and electronic equipment inside the package can be recycled. When recycling waste properly, you protect the environment and people health. Segregated household waste collection, aids recycle materials and components used for the production of this device. For detailed information about recycling, please contact your retailer or a local authority.

QUICK  
INSTALLATION  
GUIDE

Warranty Card

Product Model: \_\_\_\_\_

Product Serial No: \_\_\_\_\_

Date of Purchase: \_\_\_\_\_

Customer Name: \_\_\_\_\_

TEL: \_\_\_\_\_

Address: \_\_\_\_\_

Distributor Name: \_\_\_\_\_

TEL: \_\_\_\_\_

Warranty Card is the important certificate for after-sale service of Marvo products, please keep it safe.

www.marvo-tech.com

**BORN FOR GAMING**



Ovaj dokument je originalno proizveden i objavljen od strane proizvođača, brenda Marvo, i preuzet je sa njihove zvanične stranice. S obzirom na ovu činjenicu, Tehnoteka ističe da ne preuzima odgovornost za tačnost, celovitost ili pouzdanost informacija, podataka, mišljenja, saveta ili izjava sadržanih u ovom dokumentu.

Napominjemo da Tehnoteka nema ovlašćenje da izvrši bilo kakve izmene ili dopune na ovom dokumentu, stoga nismo odgovorni za eventualne greške, propuste ili netačnosti koje se mogu naći unutar njega. Tehnoteka ne odgovara za štetu nanесenu korisnicima pri upotrebi netačnih podataka. Ukoliko imate dodatna pitanja o proizvodu, ljubazno vas molimo da kontaktirate direktno proizvođača kako biste dobili sve detaljne informacije.

Za najnovije informacije o ceni, dostupnim akcijama i tehničkim karakteristikama proizvoda koji se pominje u ovom dokumentu, molimo posetite našu stranicu klikom na sledeći link:

<https://tehnoteka.rs/p/marvo-scorpion-ch-106-crvena-gejmerska-stolica-akcija-cena/>