

## Informacije o proizvodu (EN)

UNV kamera za video nadzor IPC 4MP Dome HD IR VF (IPC3534LB-ADZK-G)



Tehnoteka je online destinacija za upoređivanje cena i karakteristika bele tehnike, potrošačke elektronike i IT uređaja kod trgovinskih lanaca i internet prodavnica u Srbiji. Naša stranica vam omogućava da istražite najnovije informacije, detaljne karakteristike i konkurentne cene proizvoda.

Posetite nas i uživajte u ekskluzivnom iskustvu pametne kupovine klikom na link:

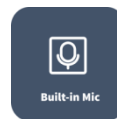
<https://tehnoteka.rs/p/unv-kamera-za-video-nadzor-ipc-4mp-dome-hd-ir-vf-ipc3534lb-adzk-g-akcija-cena/>

# 4MP HD IR VF Dome Network Camera

IPC3534LB-ADZK-G



## Key Features



- High quality image with 4MP, 1/3"CMOS sensor
- 4MP (2688\*1520)@ 25/20fps; 4MP (2560\*1440)@ 25/20fps; 3MP (2304\*1296)@ 30/25fps;2MP (1920\*1080)@30/25fps
- Ultra 265, H.265, H.264, MJPEG
- 120dB true WDR technology enables clear image in strong light scene
- Support 9:16 Corridor Mode
- Built-in Mic
- Smart IR, up to 40m (131ft) IR distance
- Supports 256 G Micro SD card
- IK10 vandal resistant
- IP67 protection
- Support PoE power supply
- 3-Axis

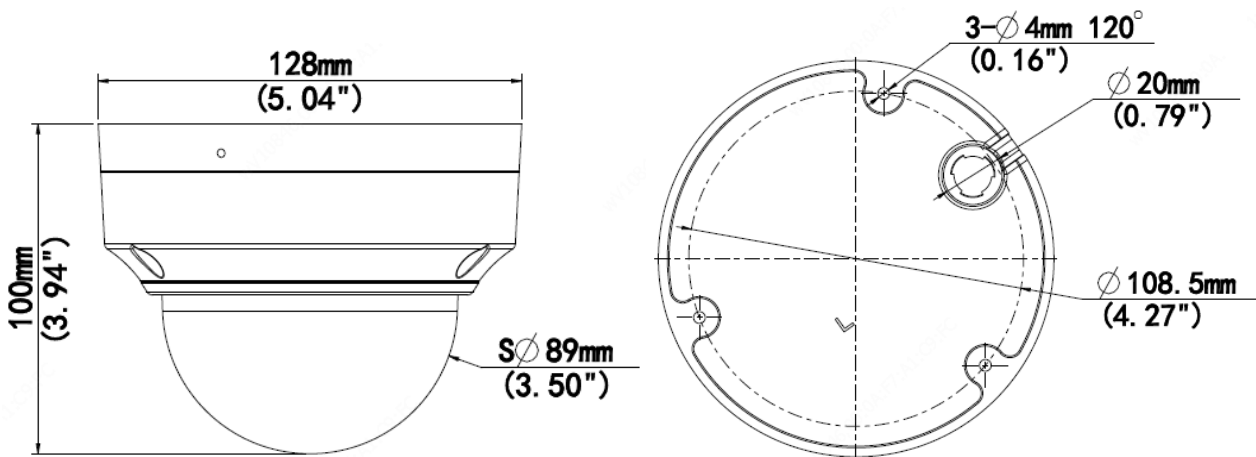
## Specifications

|                         |  |                 |                    |               |              |
|-------------------------|--|-----------------|--------------------|---------------|--------------|
|                         | IPC3534LB-ADZK-G   |                 |                    |               |              |
| <b>Camera</b>           |  |                 |                    |               |              |
| Sensor                  | 1/3", 4.0 megapixel, progressive scan, CMOS  |                 |                    |               |              |
| Minimum Illumination    | Colour: 0.003 lux (F1.6, AGC ON)<br>0 lux with IR  |                 |                    |               |              |
| Day/Night               | IR-cut filter with auto switch (ICR)   |                 |                    |               |              |
| Shutter                 | Auto/Manual, 1 ~ 1/100000s   |                 |                    |               |              |
| Adjustment angle        | Pan: 3° to 360°  | Tilt: 0° to 70° | Rotate: 3° to 360° |               |              |
| S/N                     | >56dB  |                 |                    |               |              |
| WDR                     | 120dB  |                 |                    |               |              |
| <b>Lens</b>             |  |                 |                    |               |              |
| Lens Type               | 2.8 ~ 12mm, AF automatic focusing and motorized zoom lens  |                 |                    |               |              |
| Iris                    | Fixed  |                 |                    |               |              |
| Field of View (H)       | 102.79° ~ 30.86°   |                 |                    |               |              |
| Field of View (V)       | 54.50° ~ 17.49°  |                 |                    |               |              |
| Field of View (D)       | 106.94° ~ 35.49°   |                 |                    |               |              |
| <b>DORI</b>             |  |                 |                    |               |              |
| DORI Distance           | Lens (mm)  | Detect (m)      | Observe (m)        | Recognize (m) | Identify (m) |
|                         | 2.8  | 63.0            | 25.2               | 12.6          | 6.3          |
|                         | 12   | 270.0           | 108.0              | 54.0          | 27.0         |
| <b>Illuminator</b>      |  |                 |                    |               |              |
| IR Range                | Up to 40m (131ft) IR range   |                 |                    |               |              |
| Wavelength              | 850nm  |                 |                    |               |              |
| IR On/Off Control       | Auto/Manual  |                 |                    |               |              |
| <b>Video</b>            |  |                 |                    |               |              |
| Video Compression       | Ultra 265, H.265, H.264, MJPEG   |                 |                    |               |              |
| H.264 code profile      | Baseline profile, Main profile, High profile   |                 |                    |               |              |
| Frame Rate              | Main Stream: 4MP (2688*1520), Max 25fps; 4MP (2560*1440), Max 25fps; 3MP (2304*1296), Max 30fps; 1080P (1920*1080), Max 30fps;<br>Sub Stream: 720P (1280*720), Max 30fps; D1 (720*576), Max 30fps; 640*360, Max 30fps; |                 |                    |               |              |
| Video Bit Rate          | 128 Kbps~16 Mbps   |                 |                    |               |              |
| U-code                  | Support  |                 |                    |               |              |
| OSD                     | Up to 4 OSDs   |                 |                    |               |              |
| Privacy Mask            | Up to 4 areas  |                 |                    |               |              |
| ROI                     | Up to 8 areas  |                 |                    |               |              |
| Video stream            | Dual streams   |                 |                    |               |              |
| <b>Image</b>            |  |                 |                    |               |              |
| White Balance           | Auto/Outdoor/Fine Tune/Sodium Lamp/Locked/Auto2  |                 |                    |               |              |
| Digital Noise Reduction | 2D/3D DNR  |                 |                    |               |              |
| Smart IR                | Support  |                 |                    |               |              |
| Flip                    | Normal/Vertical/Horizontal/180°/90°Clockwise/90°Anti-clockwise   |                 |                    |               |              |
| Dewarping               | N/A  |                 |                    |               |              |

|                        |  |
|------------------------|--|
| HLC                    | Support  |
| BLC                    | Support  |
| Defog                  | Digital Defog  |
| <b>Events</b>          |  |
| Basic Detection        | Cross line, intrusion(based on human body detection)   |
|                        | Motion detection, Ultra motion detection, Tampering alarm, Audio detection   |
| General Function       | Watermark, IP Address filtering, Access Policy, ARP Protection, RTSP Authentication, User Authentication   |
| <b>Audio</b>           |  |
| Audio Compression      | G.711U, G.711A   |
| Audio Bitrate          | 64 Kbps  |
| Two-way Audio          | N/A  |
| Suppression            | Support  |
| Sampling Rate          | 8KHZ   |
| <b>Storage</b>         |  |
| Edge Storage           | Micro SD, up to 256GB  |
| Network Storage        | ANR, NAS(NFS)  |
| <b>Network</b>         |  |
| Protocols              | IPv4, IPv6, IGMP, ICMP, ARP, TCP, UDP, DHCP, RTP, RTSP, RTCP, RTMP, DNS, DDNS, NTP, FTP, UPnP, HTTP, HTTPS, SMTP, SSL/TLS, QoS, 802.1x, SNMP   |
| Compatible Integration | ONVIF (Profile S, Profile G, Profile T), API , SDK   |
| User/Host              | Up to 32 users. 2 user levels: administrator and common user   |
| Security               | Password protection, Strong password, HTTPS encryption, Export operation logs, Basic and digest authentication for RTSP, Digest authentication for HTTP, TLS 1.2, WSSE and digest authentication for ONVIF |
| Client                 | EZStation<br>EZView<br>EZLive  |
| Web Browser            | Plug-in required live view: IE 10 and above, Chrome 45 and above, Firefox 52 and above, Edge 79 and above  |
|                        | Plug-in free live view: Chrome 57.0 and above, Firefox 58.0 and above, Edge 16 and above   |
| <b>Interface</b>       |  |
| Audio I/O              | N/A  |
| Alarm I/O              | N/A  |
| Serial Port            | N/A  |
| Built-in Mic           | Support  |
| Built-in Speaker       | N/A  |
| WIFI                   | N/A  |
| Network                | 1 * RJ45 10M/100M Base-TX Ethernet   |
| Video Output           | N/A  |
| <b>Certification</b>   |  |
| EMC                    | CE-EMC (EN 55032: 2015+A1:2020,EN 61000-3-3: 2013+A1: 2019,EN IEC 61000-3-2: 2019+A1: 2021,EN 55035: 2017+A11:2020)<br>FCC (FCC CFR 47 part15 B, ANSI C63.4-2014)  |
| Safety                 | CE LVD (EN 62368-1:2014+A11:2017)<br>CB (IEC 62368-1:2014)<br>UL (UL 62368-1, 2nd Ed., Issue Date: 2014-12-01)   |
| Environment            | CE-RoHS (2011/65/EU;(EU)2015/863); WEEE (2012/19/EU); Reach (Regulation (EC) No 1907/2006)   |

|                     |  |
|---------------------|--|
| Protection          | IP67 (IEC 60529:1989+AMD1:1999+AMD2:2013)<br>IK10 (IEC 62262:2002) |
| <b>General</b>      |  |
| Power               | DC 12V±25%, PoE (IEEE 802.3af)<br>Power consumption: Max 7.5W      |
| Power Interface     | Ø 5.5mm coaxial power plug   |
| Dimensions (Ø x H)  | Ø128mmx100mm (Ø5.0" x 3.9")  |
| Weight              | 0.65kg (1.43lb)  |
| Material            | Metal + Plastic  |
| Working Environment | -30°C ~ 60°C (-22°F ~ 140°F), Humidity: ≤95% RH (non-condensing)   |
| Storage Environment | -30°C ~ 60°C (-22°F ~ 140°F), Humidity: ≤95% RH (non-condensing)   |
| Surge Protection    | 6KV  |
| Reset Button        | Support  |

## Dimensions



## Accessories

TR-JB03-H-IN

Junction Box



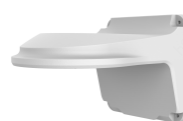
TR-JB07/WM03-F-IN

Wall Mount



TR-WM03-B-IN

Wall Mount



TR-UP06-IN

Pole Mount



TR-A01-IN

Waterproof Joint



TR-SE24-IN

Pendant Mount



TR-SE24-A-IN

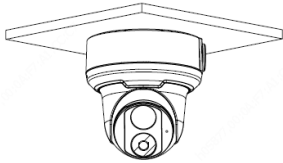
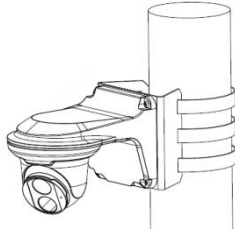
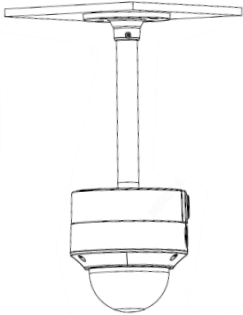
Pendant Mount



TR-CM24-IN

Pendant Mount



| Junction Mount  | Pole Mount   |
|---|--|
| TR-JB03-H-IN  | TR-JB07/WM03-F-IN(TR-WM03-B-IN)+TR-UP06-IN   |
|   |  |
| TR-CM24-IN+TR-JB03-H-IN   |  |
|  |  |

**Zhejiang Uniview Technologies Co., Ltd.**

Building No.10, Wanlun Science Park, Jiangling Road 88, Binjiang District, Hangzhou, Zhejiang, China (310051)

Email: [overseasbusiness@uniview.com](mailto:overseasbusiness@uniview.com); [globalsupport@uniview.com](mailto:globalsupport@uniview.com)

<http://www.uniview.com>

©2021/2022 Zhejiang Uniview Technologies Co., Ltd. All rights reserved.

\*Product specifications and availability are subject to change without notice.

Ovaj dokument je originalno proizveden i objavljen od strane proizvođača, brenda UNV, i preuzet je sa njihove zvanične stranice. S obzirom na ovu činjenicu, Tehnoteka ističe da ne preuzima odgovornost za tačnost, celovitost ili pouzdanost informacija, podataka, mišljenja, saveta ili izjava sadržanih u ovom dokumentu.

Napominjemo da Tehnoteka nema ovlašćenje da izvrši bilo kakve izmene ili dopune na ovom dokumentu, stoga nismo odgovorni za eventualne greške, propuste ili netačnosti koje se mogu naći unutar njega. Tehnoteka ne odgovara za štetu nanесenu korisnicima pri upotrebi netačnih podataka. Ukoliko imate dodatna pitanja o proizvodu, ljubazno vas molimo da kontaktirate direktno proizvođača kako biste dobili sve detaljne informacije.

Za najnovije informacije o ceni, dostupnim akcijama i tehničkim karakteristikama proizvoda koji se pominje u ovom dokumentu, molimo posetite našu stranicu klikom na sledeći link:

<https://tehnoteka.rs/p/unv-kamera-za-video-nadzor-ipc-4mp-dome-hd-ir-vf-ipc3534lb-adzk-g-akcija-cena/>