

## Informacije o proizvodu (EN)

DAHUA kamera za video nadzor HAC-HDW1200TLM-IL-A-0280B-S6



Tehnoteka je online destinacija za upoređivanje cena i karakteristika bele tehnike, potrošačke elektronike i IT uređaja kod trgovinskih lanaca i internet prodavnica u Srbiji. Naša stranica vam omogućava da istražite najnovije informacije, detaljne karakteristike i konkurentne cene proizvoda.

Posetite nas i uživajte u ekskluzivnom iskustvu pametne kupovine klikom na link:

<https://tehnoteka.rs/p/dahua-kamera-za-video-nadzor-hac-hdw1200tlm-il-a-0280b-s6-akcija-cena/>

# DH-HAC-HDW1200TLM-IL-A

## 2MP Smart Dual Light HDCVI Fixed-focal Eyeball Camera



### System Overview

The Lite Series is a great choice for consumers looking for high quality monitoring products at a reasonable price. Its low cost and high performance make it ideal for residential areas and SMB solutions. This series is equipped with a wide range of technologies, such as full-color and starlight, providing various solutions for different scenarios.

### Functions

#### Smart Dual Light

With its smart dual light mechanism, the camera automatically turns on the white light when Perimeter Protection/SMD Plus function of AI XVR detects a target in the rule area to capture clear, vivid images. When the target leaves the rule area, the camera automatically switches over from the white light to the IR light to significantly reduce light pollution.

#### Broadcast-quality Audio

Audio signal transmission over coaxial cables is supported by the HDCVI camera. It adopts a unique audio processing and transmission technology that restores source audio and eliminates noise, ensuring the quality and reliability of the audio information that is collected. This becomes important for video surveillance applications that use audio information as a type of supplementary evidence.

#### Super Adapt

With its intelligent algorithm, the camera automatically adjusts its parameters to provide optimal performance and vivid images.

#### Advanced 3DNR

Dahua's advanced 3DNR technology reduces image noise with little to no impact on image sharpness, especially in poor lighting conditions. It detects the noise, and compares the sequential frames to effectively reduce the noise. It also makes efficient use of bandwidth, saving on storage space.

\* The parameters and datasheets below can only be applied to 1200-56-IL series.  
\* In order to use the Smart Dual Light HDCVI camera, the firmware of XVR must be upgraded to V4.001.0000004.1.R.220323 or later version.

- Max. 30 fps@1080p.
- 3D NR.
- Smart Dual Light.
- 20 m illumination distance.
- Super Adapt.
- Built-in mic.
- 3.6 mm fixed lens (2.8 mm optional).
- CVI/CVBS/AHD/TVI switchable.
- IP67, 12 VDC.



#### Protection (IP67, Wide Voltage)

**IP67:** The camera passed a series of rigorous dust and immersion tests. Its enclosure is both dust-proof and waterproof, and can function normally while being immersed in 1 m deep water for up to 30 minutes.  
**Wide voltage:** The camera has  $\pm 30\%$  input voltage tolerance (for some power supplies) and a wide voltage range, making it suitable for a variety of outdoor scenarios.

#### 4 Signals over 1 Coaxial Cable

HDCVI technology supports 4 signals (video, audio\*, data and power) which are simultaneously transmitted over a coaxial cable. Dual-way data transmission allows the HDCVI camera to interact with the XVR to perform various actions such as sending control signals and triggering alarms. HDCVI technology also supports PoC, which makes the camera easy and quick to install.

\* Audio input is available for select HDCVI camera models.

#### Long Distance Transmission

HDCVI technology provides long distance transmission in real time without transmission loss. It supports transmission distances up to 700 m for 2-MP/5-MP/8-MP HD videos through coaxial cables, and up to 300 m through UTP cables. The results were obtained and verified through rigorous testing in Dahua's test laboratory.

**Technical Specification**

**Camera**

|                            |   |
|----------------------------|---|
| Image Sensor               | 2 MP CMOS   |
| Max. Resolution            | 1920 (H) × 1080 (V)   |
| Scanning System            | Progressive   |
| Electronic Shutter Speed   | PAL: 1/25 s–1/100000 s<br>NTSC: 1/30 s–1/100000 s                                       |
| Min. Illumination          | 0.01 lux@F2.0 (Color, 30 IRE)<br>0.001 lux@F2.0 (B/W, 30 IRE)<br>0 lux (Illuminator on) |
| S/N Ratio                  | >65 dB  |
| Illumination Distance      | IR: 20 m (65.62 ft)<br>Warm light: 20 m (65.62 ft)                                      |
| Illuminator On/Off Control | Auto  |
| Illuminator Number         | 1 (Warm light);1 (IR light)   |
| Angle Adjustment           | Pan: 0°–360°<br>Tilt: 0°–78°<br>Rotation: 0°–360°                                       |

**Lens**

|                      |   |                    |                   |                   |                  |
|----------------------|---|--------------------|-------------------|-------------------|------------------|
| Lens Type            | Fixed-focal   |                    |                   |                   |                  |
| Auto Focus           | No  |                    |                   |                   |                  |
| Lens Mount           | M12   |                    |                   |                   |                  |
| Focal Length         | 2.8 mm;3.6 mm   |                    |                   |                   |                  |
| Max. Aperture        | F2.0  |                    |                   |                   |                  |
| Field of View        | 2.8 mm: H: 102°; V: 60°; D: 129°<br>3.6 mm: H: 83°; V: 48°; D: 105° |                    |                   |                   |                  |
| Iris Control         | Fixed   |                    |                   |                   |                  |
| Close Focus Distance | 2.8 mm: 0.5 m (1.64 ft)<br>3.6 mm: 0.7 m (2.30 ft)                  |                    |                   |                   |                  |
| DORI Distance        | Lens  | Detect             | Observe           | Recognize         | Identify         |
|                      | 2.8 mm  | 41.1 m (135.83 ft) | 16.5 m (42.13 ft) | 8.3 m (27.23 ft)  | 4.1 m (13.45 ft) |
|                      | 3.6 mm  | 50.9 m (166.99 ft) | 20.3 m (66.60 ft) | 10.2 m (33.46 ft) | 5.1 m (16.73 ft) |

**Video**

|                  |  |
|------------------|--|
| Video Frame Rate | CVI:<br>PAL: 1080p@25 fps;<br>NTSC: 1080p@30 fps;<br>AHD:<br>PAL: 1080p@25 fps;<br>NTSC: 1080p@30 fps;<br>TVI:<br>PAL: 1080p@25 fps;<br>NTSC: 1080p@30 fps;<br>CVBS:<br>PAL: 960H;<br>NTSC: 960H |
| Resolution       | 1080p (1920 × 1080); 960H (960 × 576/960 × 480)  |
| Day/Night        | Auto(ICR)/Color/B/W  |
| BLC              | BLC; HLC; DWDR   |
| WDR              | DWDR   |

|                   |                               |
|-------------------|-------------------------------|
| White Balance     | Auto;Area white balance       |
| Gain Control      | Auto                          |
| Noise Reduction   | 3D NR                         |
| Illumination Mode | Smart IR&WL; WL Mode; IR Mode |
| Mirror            | Yes                           |
| Privacy Masking   | Off/On (8 areas, rectangle)   |

**Certification**

|                |   |
|----------------|---|
| Certifications | CE-LVD: EN 62368-1;<br>CE-EMC: EN 55032; EN 55035;<br>FCC: 47 CFR FCC Part 15, Subpart B;<br>UL: UL62368-1 + CAN/CSA C22.2 No. 62368-1-14 |
|----------------|---|

**Port**

|              |  |
|--------------|--|
| Video Output | Video output choices of CVI/TVI/AHD/CVBS by one BNC port |
| Audio Input  | 1 channel  |

**Power**

|                   |                          |
|-------------------|--------------------------|
| Power Supply      | 12 VDC ± 30%             |
| Power Consumption | Max 2.6W (12 VDC, IR on) |

**Environment**

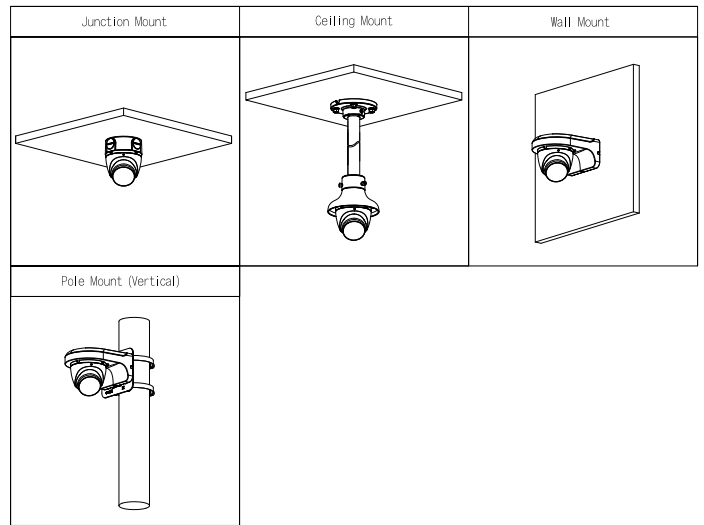
|                       |                                      |
|-----------------------|--------------------------------------|
| Operating Temperature | –40 °C to +60 °C (–40 °F to +140 °F) |
| Operating Humidity    | <95% (RH), non-condensing            |
| Storage Temperature   | –40 °C to +60 °C (–40 °F to +140 °F) |
| Storage Humidity      | <95% (RH), non-condensing            |
| Protection            | IP67                                 |

**Structure**

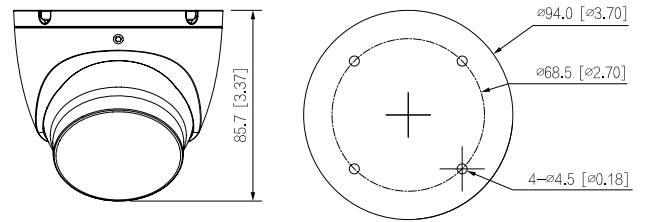
|                    |  |
|--------------------|--|
| Casing Material    | Metal  |
| Product Dimensions | φ94.0 mm × 85.7 mm (φ3.70" × 3.37")            |
| Net Weight         | 0.30 kg (0.66 lb)                              |
| Gross Weight       | 0.42 kg (0.93 lb)                              |
| Installation       | Wall mount; ceiling mount; vertical pole mount |

**Ordering Information**

| Type                   | Model                   | Description                                     |
|------------------------|-------------------------|---|
| 2MP Camera             | DH-HAC-HDW1200TLM-IL-A  | 2MP HDCVI Smart Dual Light Eyeball Camera, PAL  |
|                        | DH-HAC-HDW1200TLMN-IL-A | 2MP HDCVI Smart Dual Light Eyeball Camera, NTSC |
| Accessories (Optional) | PFA13A-E                | Junction Box                                    |
|                        | PFA106                  | Mount Adapter                                   |
|                        | PFB220C                 | Ceiling Mount Bracket                           |
|                        | PFB205W-E               | Wall Mount Bracket                              |
|                        | PFA152-E                | Pole Mount Bracket                              |
|                        | PFM800-E                | Passive HDCVI Balun                             |
|                        | FM321D                  | 12V 1A Power Adapter                            |
|                        | PFM904                  | Integrated Mount Tester                         |



**Dimensions (mm [inch])**



**Accessories**

Optional:



PFA13A-E  
Junction  
Box



PFA106  
Mount Adapter



PFB220C  
Ceiling Mount  
Bracket



PFB205W-E  
Wall Mount  
Bracket



PFA152-E  
Pole Mount  
Bracket



PFM800-E  
Passive HDCVI Balun



FM321D  
12V 1A Power  
Adapter



PFM904  
Integrated Mount  
Tester

Ovaj dokument je originalno proizveden i objavljen od strane proizvođača, brenda Dahua, i preuzet je sa njihove zvanične stranice. S obzirom na ovu činjenicu, Tehnoteka ističe da ne preuzima odgovornost za tačnost, celovitost ili pouzdanost informacija, podataka, mišljenja, saveta ili izjava sadržanih u ovom dokumentu.

Napominjemo da Tehnoteka nema ovlašćenje da izvrši bilo kakve izmene ili dopune na ovom dokumentu, stoga nismo odgovorni za eventualne greške, propuste ili netačnosti koje se mogu naći unutar njega. Tehnoteka ne odgovara za štetu nanесenu korisnicima pri upotrebi netačnih podataka. Ukoliko imate dodatna pitanja o proizvodu, ljubazno vas molimo da kontaktirate direktno proizvođača kako biste dobili sve detaljne informacije.

Za najnovije informacije o ceni, dostupnim akcijama i tehničkim karakteristikama proizvoda koji se pominje u ovom dokumentu, molimo posetite našu stranicu klikom na sledeći link:

<https://tehnoteka.rs/p/dahua-kamera-za-video-nadzor-hac-hdw1200tIm-il-a-0280b-s6-akcija-cena/>