

Informacije o proizvodu (EN)

CLAGE protočni bojler M4-O



Tehnoteka je online destinacija za upoređivanje cena i karakteristika bele tehnike, potrošačke elektronike i IT uređaja kod trgovinskih lanaca i internet prodavnica u Srbiji. Naša stranica vam omogućava da istražite najnovije informacije, detaljne karakteristike i konkurentne cene proizvoda.

Posetite nas i uživajte u ekskluzivnom iskustvu pametne kupovine klikom na link:

<https://tehnoteka.rs/p/clage-protocni-bojler-m4-o-akcija-cena/>

E-mini instant water heater M-O



Application areas

Single point supply:

- > Washbasin
- > Sanitary facilities in commercial buildings
- > Kitchenette (M6-O or M7-O)
- > Disposal sink



E-mini instant water heater

M-O

Product information



	Energy efficiency class A (Scale: A+ to F)			
	M 3-O	M 4-O	M 6-O	M 7-O
Part number:	1500-17113	1500-17114	1500-17116	1500-17117
Type:	open-outlet			
Water connections (thread connections):	G 3/8"			
Hot water output at $\Delta t = 25\text{ K}^{1)}$ [l/min]:	2.0	2.5	3.3	3.7
Switch-on flow rate / max. flow rate ²⁾ [l/min]:	1.3 / 2.0	1.8 / 2.5	2.2 / 3.3	2.4 / 3.7
Nominal power rating [kW]:	3.5	4.4	5.7	6.5
Supply voltage [1~ / N / PE 230 V AC]:	with plug ³⁾	permanent connection	permanent connection	
Supply voltage [2~ / PE 400 V AC]:				permanent connection
Nominal current [A]:	15	19	25	16
Required cable diameter [mm ²]:	1.5	2.5	4.0	2.5
Bare wire heating system IES [®] :	✓			
VDE approved / Protection class:	✓ / IP 25			
Specific water resistance at 15 °C [Ωcm] \geq :	1100			
Nominal volume [litres]:	0.2			
Weight filled with water [kg]:	approx. 1.5			
Dimensions (height × width × depth) [cm]:	13.5 × 18.6 × 8.7			

1) Temperature increase e.g. from 15 °C to 40 °C 2) Limited flow amount for optimal temperature increase. Can be adjusted via water amount adjustment. 3) Also available as M 3-O (E) [part no.: 1500-171132] with power supply cable for permanent connection.

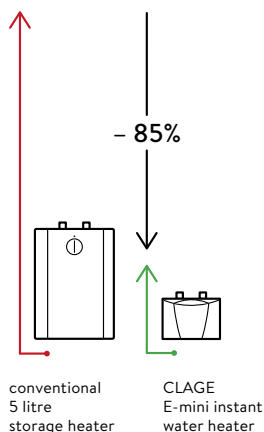
Description

- > Hydraulically controlled instant water heater (oversink model) with compact design for the energy-efficient hot water supply of a washbasin or a kitchenette
- > The full heating capacity turns on automatically as soon as water flows through the unit
- > Efficient flow technology for an optimum water jet and economical water consumption
- > The efficient bare wire heating system IES[®] with replaceable heating cartridge provides an extended service life and easy maintenance
- > Ready to plug in (3.5 kW) and power cable ($\geq 4.4\text{ kW}$), length: $\leq 65\text{ cm}$
- > Vented design, only suitable for open-outlet taps
- > Aerator insert for tap adapter M 22/24 at the tap is included
- > Also available as a complete set with tap: M / SMB

Profitability comparison (Source: www.clage.com)

Saves up to 85 % energy compared to conventional small storage heaters.

The E-compact instant water heater features an economical operation. The water is heated directly as it flows through the unit. Hot water is not stored in a tank, which saves standby energy that would be otherwise required.



E-mini instant water heater

M-O

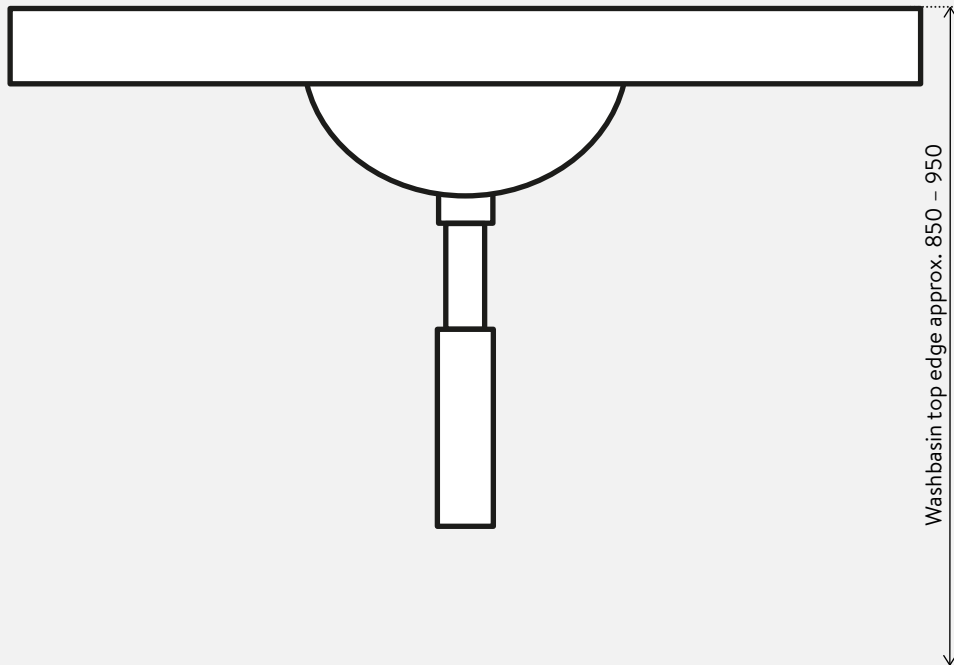
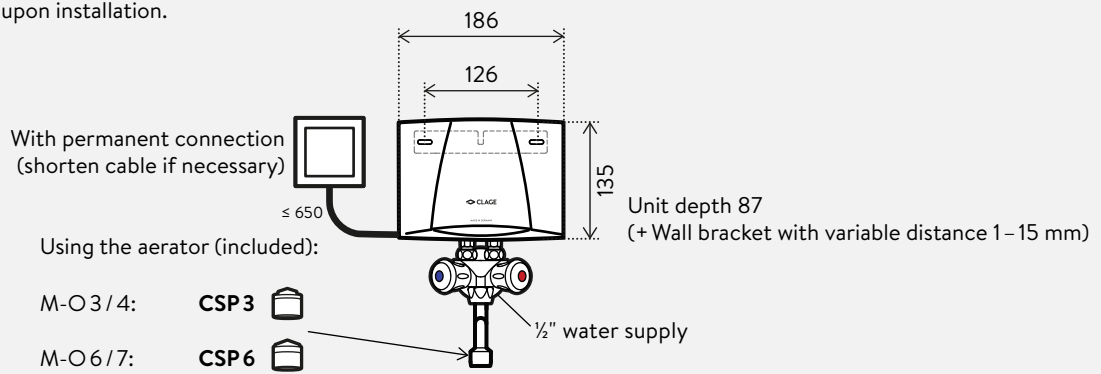
Installation



Example of an **open-outlet** installation with tap SMB

Measurements in mm

Assembly and operating instructions must be observed upon installation.



E-mini instant water heater

M-O

Accessories



Aerator CSP 3 or CSP 6 (included)

The aerator at the tap supports the energy- and water-saving operation of the compact instant water heater. The new special CSP aerators mix air into the water and thus create a uniform water stream that does not splatter but softly cascades down.

Aerator insert for tap adapter M22/24 at the tap

CSP 3 (< 2 l / min): Part no. 0010-00421

CSP 6 (< 3.5 l / min): Part no. 0010-00461



SMB /LS (optional)

Special oversink mixer tap with swivel spout 16 cm

SMB /LS: Part no. 1100-04100



SME (optional)

Single lever oversink mixer tap with swivel spout 16 cm

SME: Part no. 1100-04150



LS (optional)

Swivel spout 12 / 20 / 30 cm with screw connection M22

LS 12 (12 cm): Part no. 0010-0052

LS 20 (20 cm): Part no. 0010-0054

LS 30 (30 cm): Part no. 0010-0055

Ovaj dokument je originalno proizveden i objavljen od strane proizvođača, brenda Clage, i preuzet je sa njihove zvanične stranice. S obzirom na ovu činjenicu, Tehnoteka ističe da ne preuzima odgovornost za tačnost, celovitost ili pouzdanost informacija, podataka, mišljenja, saveta ili izjava sadržanih u ovom dokumentu.

Napominjemo da Tehnoteka nema ovlašćenje da izvrši bilo kakve izmene ili dopune na ovom dokumentu, stoga nismo odgovorni za eventualne greške, propuste ili netačnosti koje se mogu naći unutar njega. Tehnoteka ne odgovara za štetu nanесenu korisnicima pri upotrebi netačnih podataka. Ukoliko imate dodatna pitanja o proizvodu, ljubazno vas molimo da kontaktirate direktno proizvođača kako biste dobili sve detaljne informacije.

Za najnovije informacije o ceni, dostupnim akcijama i tehničkim karakteristikama proizvoda koji se pominje u ovom dokumentu, molimo posetite našu stranicu klikom na sledeći link:

<https://tehnoteka.rs/p/clage-protocni-bojler-m4-o-akcija-cena/>