

## Informacije o proizvodu (EN)

A-DATA SSD 512GB XPG GAMMIXS55-512G-C



Tehnoteka je online destinacija za upoređivanje cena i karakteristika bele tehnike, potrošačke elektronike i IT uređaja kod trgovinskih lanaca i internet prodavnica u Srbiji. Naša stranica vam omogućava da istražite najnovije informacije, detaljne karakteristike i konkurentne cene proizvoda.

Posetite nas i uživajte u ekskluzivnom iskustvu pametne kupovine klikom na link:

<https://tehnoteka.rs/p/a-data-ssd-512gb-xpg-gammixs55-512g-c-akcija-cena/>

GAMMIX S55 PCIe Gen4 x4 M.2 2230 SSD

# Powering in Your Handheld



## XPG GAMMIX S55 PCIe Gen4x4 M.2 2230 Solid State Drive

GAMMIX S55 features a PCIe 4.0 interface, with sequential read and write speeds of up to 5,000/3,700MB per second, and up to 2TB storage capacity. Adopting a M.2 2230 form factor, the GAMMIX S55 delivers high-end storage to small systems, handheld and supports the latest Intel and AMD platforms.

### Features

- R/W speed up to 5,000/3,700MB/s for PC/laptop
- Ultra-fast PCIe Gen4 x4 interface
- Compliant with NVMe 1.4
- Work with handhelds, tablets and thin devices
- Capacity up to 2TB
- SLC Caching and host memory buffer
- Advanced LDPC ECC Technology
- Pyrite encryption support

### Ordering Information

Capacity	Model Number	EAC Code / UPC Code
<b>2TB</b>	GAMMIXS55-2T-C	4711085947482
		842243033243
<b>1TB</b>	GAMMIXS55-1T-C	4711085942357
		842243027839
<b>512GB</b>	GAMMIXS55-512G-C	4711085942340
		842243027822



## Specifications

- Capacities: 512GB / 1TB / 2TB
- NAND Flash: 3D NAND
- Interface: PCIe Gen4 x4
- Form Factor: M.2 2230
- Sequential read/write (Max.):  
Up to 5,000/3,700MB/s (PC/laptop)
- Operating Temperature: 0°C~70°C
- Storage Temperature: -40°C~85°C
- Weight: 2.7g / 0.09oz
- Dimensions (L x W x T): 30 x 22 x 2.05mm
- Shock Resistance: 1500G/0.5ms
- Terabytes Written (TBW)(Max. capacity): 450TB
- MTBF: 1,500,000 hours
- Warranty: 5-year limited
- Certifications: CE, FCC, BSMI, KC, Morocco, EAC, RCM, UKCA, RoHS

## Performance

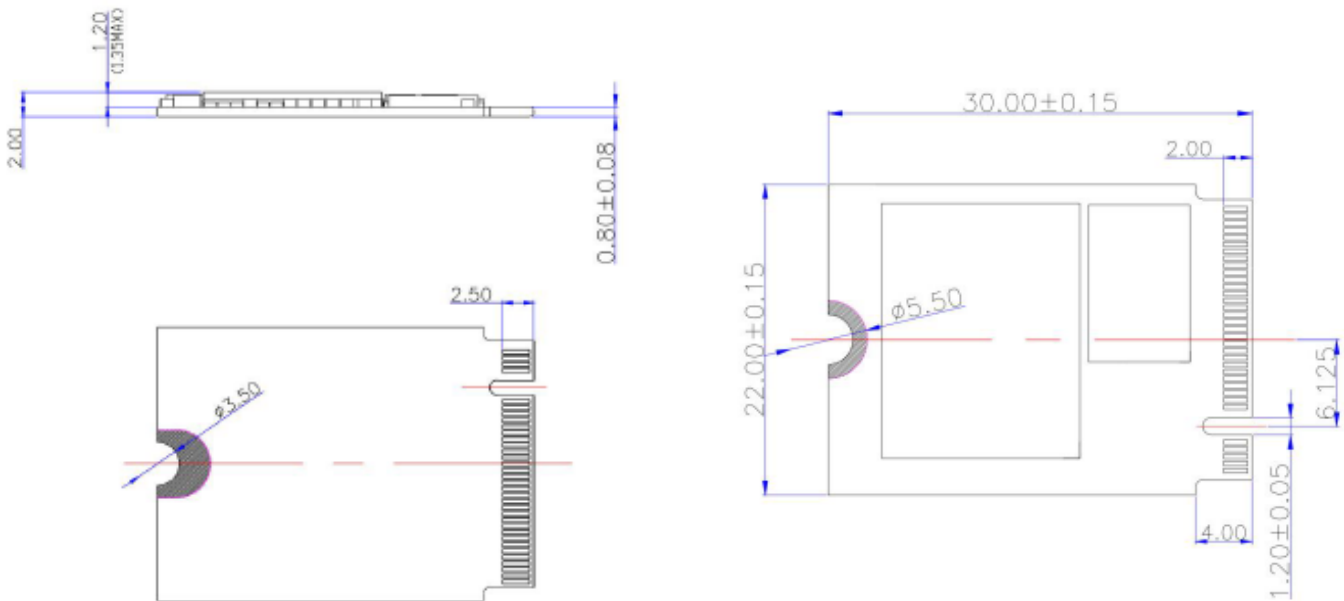
Capacity	Sequential Performance (Up to) <sup>1</sup>		TBW <sup>2</sup>
	Read (MB/s)	Write (MB/s)	
2TB	5,000	3,200	450TB
1TB	5,000	3,700	250TB
512GB	5,000	3,000	230TB

<sup>1</sup> M/B: MSI X570 GAMING PLUS, CPU: AMD Ryzen 7 3700X 8-Core Processor @ 3.60GHZ

<sup>2</sup> The value is the minimum amount of terabyte written that could be reached.

<sup>3</sup> Performance may vary based on SSD capacity, hardware test platform, test software, operating system and other system variables

## Schematics



Ovaj dokument je originalno proizveden i objavljen od strane proizvođača, brenda Adata, i preuzet je sa njihove zvanične stranice. S obzirom na ovu činjenicu, Tehnoteka ističe da ne preuzima odgovornost za tačnost, celovitost ili pouzdanost informacija, podataka, mišljenja, saveta ili izjava sadržanih u ovom dokumentu.

Napominjemo da Tehnoteka nema ovlašćenje da izvrši bilo kakve izmene ili dopune na ovom dokumentu, stoga nismo odgovorni za eventualne greške, propuste ili netačnosti koje se mogu naći unutar njega. Tehnoteka ne odgovara za štetu nanесenu korisnicima pri upotrebi netačnih podataka. Ukoliko imate dodatna pitanja o proizvodu, ljubazno vas molimo da kontaktirate direktno proizvođača kako biste dobili sve detaljne informacije.

Za najnovije informacije o ceni, dostupnim akcijama i tehničkim karakteristikama proizvoda koji se pominje u ovom dokumentu, molimo posetite našu stranicu klikom na sledeći link:

<https://tehnoteka.rs/p/a-data-ssd-512gb-xpg-gammixs55-512g-c-akcija-cena/>