

Informacije o proizvodu (EN)

DAHUA kamera za video nadzor IPC-HFW1430DS-SAW-0280B 4MP IR Bullet Network



Tehnoteka je online destinacija za upoređivanje cena i karakteristika bele tehnike, potrošačke elektronike i IT uređaja kod trgovinskih lanaca i internet prodavnica u Srbiji. Naša stranica vam omogućava da istražite najnovije informacije, detaljne karakteristike i konkurentne cene proizvoda.

Posetite nas i uživajte u ekskluzivnom iskustvu pametne kupovine klikom na link:

<https://tehnoteka.rs/p/dahua-kamera-za-video-nadzor-ipc-hfw1430ds-saw-0280b-4mp-ir-bullet-network-akcija-cena/>

DH-IPC-HFW1430DS-SAW

4MP IR Fixed-focal Wi-Fi Bullet Network Camera



Series Overview

With features of simple installation, easy operation, and high performance-cost ratio, Dahua Entry series network camera is applicable to small and medium-sized scenes, such as homes/residences, small-sized retail stores, and other small and medium-sized enterprises.

Functions

Smart H.265+ & Smart H.264+

With advanced scene-adaptive rate control algorithm, Dahua smart encoding technology realizes the higher encoding efficiency than H.265 and H.264, provides high-quality video, and reduces the cost of storage and transmission.

Motion Detection

When moving objects appear in the monitoring image, Dahua Motion Detection technology triggers alarm or records.

Day/Night

Dahua Day/Night function provides color image when illumination is adequate; when illuminance is inadequate, it switches night mode and provides white and black image. It can guarantee that the network camera can work normally when illuminance changes.

Protection (IP67, Wide Voltage)

IP67: The camera passes a series of strict test on dust and soak. It has dust-proof function, and the enclosure can work normal after soaking in 1 m deep water for 30 minutes.

Wide voltage: The camera allows $\pm 30\%$ (for some power supplies) input voltage tolerance (wide voltage range), and it is widely applied to outdoor environment with instable voltage.

- 4-MP 1/3" CMOS image sensor, low luminance, and high definition image.
- Outputs max. 4 MP (2560 × 1440)@20 fps, and max. supports 3 MP (2304 × 1296)@25/30 fps.
- H.265 codec, high compression rate, ultra-low bit rate.
- Built-in IR LED.
- SMART H.264 +/H.265+, flexible coding, applicable to various bandwidth and storage environments.
- DWDR, 3D NR, BLC, digital watermarking, applicable to various monitoring scenes.
- Abnormality detection: Motion detection, video tampering, audio detection, no SD card, SD card full, SD card error, network disconnection, IP conflict, illegal access, SMD (human).
- Supports antenna 2.4G Wi-Fi, up to 80m range in open area
- Supports max. 256 G Micro SD card. Built-in MIC .
- 12 VDC power supply.
- IP67 protection.



Cyber Security

Dahua network cameras employ a series of security technologies, including security authentication and authorization, access control protocols, trusted protection, encrypted transmission and encrypted storage. These technologies improve the camera's defense against external cyber threats and prevent malicious programs from compromising the device.

Technical Specification						
Camera						
Image Sensor	1/3" CMOS					
Max. Resolution	2560 (H) × 1440 (V)					
ROM	16 MB					
RAM	64 MB					
Scanning System	Progressive					
Electronic Shutter Speed	Auto/Manual 1/3 s–1/100,000 s					
Min. Illumination	0.025 lux@F2.0 (Color,30 IRE) 0.0025 lux@F2.0 (B/W,30 IRE) 0 lux (Illuminator on)					
S/N Ratio	>56 dB					
Illumination Distance	30 m (98.43 ft) (IR LED)					
Illuminator On/Off Control	Auto; manual					
Illuminator Number	1 (IR LED)					
Pan/Tilt/Rotation Range	Pan: 0°–360° Tilt: 0°–90° Rotation: 0°–360°					
Lens						
Lens Type	Fixed-focal					
Lens Mount	M12					
Focal Length	2.8 mm; 3.6 mm					
Max. Aperture	F2.0					
Field of View	2.8 mm: Horizontal: 90°; Vertical: 50°; Diagonal: 107° 3.6 mm: Horizontal: 76°; Vertical: 40°; Diagonal: 92°					
Iris Control	Fixed					
Close Focus Distance	2.8 mm: 1.0 m (3.28 ft) 3.6 mm: 1.4 m (4.59 ft)					
DORI Distance	Lens	Detect	Observe	Recognize	Identify	
	2.8 mm	68 m (223.10 ft)	27.2 m (89.24 ft)	13.6 m (44.62 ft)	6.8 m (22.31 ft)	
	3.6 mm	85.2 m (279.53 ft)	34.1 m (111.88 ft)	17.0 m (55.77 ft)	8.5 m (27.89 ft)	
Video						
Video Compression	H.264B; H.264; H.264H; H.265					
Smart Codec	Smart H.265+; Smart H.264+					
Video Frame Rate	Main stream: 2560 × 1440 (1–20fps) Sub stream: 704 × 576 (1–25 fps) 704 × 480 (1–30 fps) *The values above are the max. frame rates of each stream; for multiple streams, the values will be subjected to the total encoding capacity.					
Stream Capability	2 streams					
Resolution	2560 × 1440 (2560 × 1440); 2304 × 1296 (2304 × 1296); 1080p (1920 × 1080); 1.3M(1280 × 960); 720p (1280 × 720)					
Bit Rate Control	CBR/VBR					
Video Bit Rate	H264: 24 kbps–4096 kbps H265: 9 kbps–4096 kbps					
Day/Night	Auto (ICR)/Color/B/W					
BLC	Yes					
WDR	DWDR					
White Balance	Auto; natural; street lamp; outdoor; manual; regional custom					
Gain Control	Auto					
Noise Reduction	3D NR					
Motion Detection	OFF/ON (4 areas, rectangular)					
Region of Interest (RoI)	Yes (4 areas)					
Smart Illumination	Yes					
Image Rotation	0°/180°					
Mirror	Yes					
Audio						
Built-in MIC	Yes					
Alarm						
Alarm Event	No SD card; SD card full; SD card error; network disconnection; IP conflict; illegal access; motion detection; video tampering; audio detection; intensity change; SMD (human)					
Network						
Network Port	RJ-45 (10/100 Base-T)					
Wi-Fi	IEEE802.11b/g/n 2.4~2.4835GHz					
Wireless Range	Up to 80 m (The performance varies based on actual environment)					
SDK and API	Yes					
Cyber Security	Video encryption; Configuration encryption; Digest; WSSE; Account lockout; Security logs; Generation and importing of X.509 certification; HTTPS; Trusted boot; Trusted execution; Trusted upgrade					
Network Protocol	IPv4; HTTP; TCP; UDP; ARP; RTP; RTSP; RTCP; DHCP; DNS; NTP; Multicast;					
Interoperability	ONVIF (Profile S/Profile G); CGI; P2P					
User/Host	6 (Total bandwidth: 36 M)					
Storage	Micro SD card (support max. 256 GB, sold separately)					
Browser	IE Chrome Firefox					
Management Software	Smart PSS; DSS; DMSS					
Mobile Client	iOS; Android					
Certification						
Certifications	CE-LVD:EN62368-1; CE-EMC:Electromagnetic Compatibility Directive 2014/30/EU; CE-RED:Radio Equipment Directive 2014/53/EU; FCC:47 CFR FCC Part 15, Subpart B; FCC ID:FCC PART 15C					

Power

Power Supply	12 VDC
Power Consumption	Basic: 2 W (12 VDC) Max. (H.265+IR intensity): 4.1 W (12 VDC)

Environment

Operating Temperature	-40 °C to +60 °C (-40 °F to +140 °F)
Operating Humidity	≤95%
Storage Temperature	-30 °C to +70 °C (-22 °F to +158 °F)
Protection	IP67

Structure

Casing	Metal
Product Dimensions	166.2 mm × 70.0 mm × 128.6 mm (6.53" × 2.76" × 5.06")
Net Weight	477.85 g (1.05 lb)
Gross Weight	696.5 g (1.50 lb)

Ordering Information

Type	Model	Description
4MP Camera	DH-IPC-HFW1430DSP-SAW-0280B	4MP IR Fixed-focal Wi-Fi Bullet Network Camera
	DH-IPC-HFW1430DSP-SAW-0360B	4MP IR Fixed-focal Wi-Fi Bullet Network Camera
	DH-IPC-HFW1430DSN-SAW-0280B	4MP IR Fixed-focal Wi-Fi Bullet Network Camera
	DH-IPC-HFW1430DSN-SAW-0360B	4MP IR Fixed-focal Wi-Fi Bullet Network Camera
Accessories	NBS05C120050VE	12V DC/0.5A Power Adapter
	PFA134	Junction Box
	PFA152-E	Pole Mount

Accessories

Included:



NBS05C120050VE
12V DC/0.5A
Power Adapter

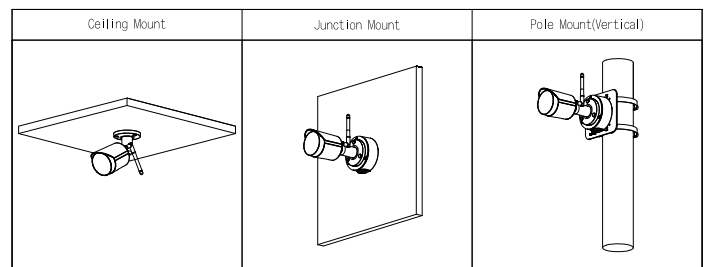
Optional:



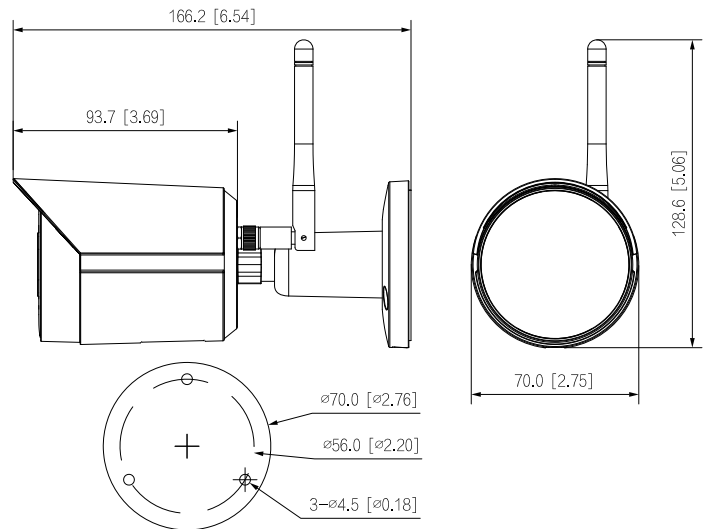
PFA134
Junction Box



PFA152-E
Pole Mount



Dimensions (mm[inch])



Ovaj dokument je originalno proizveden i objavljen od strane proizvođača, brenda Dahua, i preuzet je sa njihove zvanične stranice. S obzirom na ovu činjenicu, Tehnoteka ističe da ne preuzima odgovornost za tačnost, celovitost ili pouzdanost informacija, podataka, mišljenja, saveta ili izjava sadržanih u ovom dokumentu.

Napominjemo da Tehnoteka nema ovlašćenje da izvrši bilo kakve izmene ili dopune na ovom dokumentu, stoga nismo odgovorni za eventualne greške, propuste ili netačnosti koje se mogu naći unutar njega. Tehnoteka ne odgovara za štetu nanесenu korisnicima pri upotrebi netačnih podataka. Ukoliko imate dodatna pitanja o proizvodu, ljubazno vas molimo da kontaktirate direktno proizvođača kako biste dobili sve detaljne informacije.

Za najnovije informacije o ceni, dostupnim akcijama i tehničkim karakteristikama proizvoda koji se pominje u ovom dokumentu, molimo posetite našu stranicu klikom na sledeći link:

<https://tehnoteka.rs/p/dahua-kamera-za-video-nadzor-ipc-hfw1430ds-saw-0280b-4mp-ir-bullet-network-akcija-cena/>