

## Uputstvo za upotrebu

LG kombinovani frižider GBV7280CEV



Tehnoteka je online destinacija za upoređivanje cena i karakteristika bele tehnike, potrošačke elektronike i IT uređaja kod trgovinskih lanaca i internet prodavnica u Srbiji. Naša stranica vam omogućava da istražite najnovije informacije, detaljne karakteristike i konkurentne cene proizvoda.

Posetite nas i uživajte u ekskluzivnom iskustvu pametne kupovine klikom na link:

<https://tehnoteka.rs/p/lg-kombinovani-frizider-gbv7280cev-akcija-cena/>



OWNER'S MANUAL

# FRIDGE & FREEZER

**Read this owner's manual thoroughly before operating the appliance and keep it handy for reference at all times.**

EN	ENGLISH	ES	ESPAÑOL	IT	ITALIANO	PL	POLSKI	SR	SRPSKI
BG	БЪЛГАРСКИ	ET	EESTI	LT	LIETUVIŲ	PT	PORTUGUÊS	SV	SVENSKA
CZ	ČEŠTINA	FI	SUOMI	LV	LATVIEŠU	RO	ROMÂNĂ		
DA	DANSK	FR	FRANÇAIS	MK	МАКЕДОНСКИ	SK	SLOVENČINA		
DE	DEUTSCH	HR	HRVATSKI	NL	NEDERLANDS	SL	SLOVENŠČINA		
EL	ΕΛΛΗΝΙΚΑ	HU	MAGYAR	NO	NORSK	SQ	SHQIP		



MFL70584315  
Rev.12\_030723

Refer to the owner's manual on LG website for more detailed information.  
Copyright © 2019-2023 LG Electronics Inc. All Rights Reserved

[www.lg.com](http://www.lg.com)

# TABLE OF CONTENTS

This manual may contain images or content different from the model you purchased.

This manual is subject to revision by the manufacturer.

<b>SAFETY INSTRUCTIONS .....</b>	<b>3</b>
IMPORTANT SAFETY INSTRUCTIONS .....	3
<b>INSTALLATION .....</b>	<b>10</b>
Dimensions and Clearances .....	10
Ambient Temperature .....	10
<b>OPERATION .....</b>	<b>11</b>
Notes for Operation .....	11
Fresh Converter ( * ) .....	12
Fresh Vegetable Drawer ( * ) .....	12
Control Panel .....	14
<b>SMART FUNCTIONS .....</b>	<b>16</b>
LG ThinQ Application .....	16
<b>MAINTENANCE .....</b>	<b>18</b>
Notes for Cleaning .....	18
Disposal of Your Old Appliance .....	18
<b>TROUBLESHOOTING.....</b>	<b>19</b>

## Additional Information Of The Manual

This is a short version of Owner's Manual.  
For more information, please visit the LG  
website at <http://www.lg.com>



## Troubleshooting



## SAFETY INSTRUCTIONS

EN

The following safety guidelines are intended to prevent unforeseen risks or damage from unsafe or incorrect operation of the appliance.

The guidelines are separated into 'WARNING' and 'CAUTION' as described below.

 This symbol is displayed to indicate matters and operations that can cause risk. Read the part with this symbol carefully and follow the instructions in order to avoid risk.

### WARNING

This indicates that the failure to follow the instructions can cause serious injury or death.

### CAUTION

This indicates that the failure to follow the instructions can cause the minor injury or damage to the product.

## IMPORTANT SAFETY INSTRUCTIONS

### WARNING

To reduce the risk of explosion, fire, death, electric shock, injury or scalding to persons when using this product, follow basic precautions, including the following:

#### Children in the Household

- This appliance is not intended for use by persons (including children) with reduced physical, sensory or mental capabilities, or lack of experience and knowledge, unless they have been given supervision or instruction concerning use of the appliance by a person responsible for their safety. Children should be supervised to ensure that they do not play with the appliance.
- If the appliance is equipped with a lock (some models only), keep the key out of reach of children.



**For use in Europe:**

- This appliance can be used by children aged from 8 years and above and persons with reduced physical, sensory or mental capabilities or lack of experience and knowledge if they have been given supervision or instruction concerning use of the appliance in a safe way and understand the hazards involved. Children shall not play with the appliance. Cleaning and user maintenance shall not be made by children without supervision.
- Children aged from 3 to 8 years are allowed to load and unload refrigerating appliances.

**Installation**

- This appliance should only be transported by two or more people holding the appliance securely.
- Ensure that the socket outlet is properly grounded, and that the earth pin on the power cord is not damaged or removed from the power plug. For more details on grounding, inquire at an LG Electronics customer information centre.
- This appliance is equipped with a power cord having an equipment-grounding conductor and a grounding power plug. The power plug must be plugged into an appropriate socket outlet that is installed and grounded in accordance with all local codes and ordinances.
- If the power cord is damaged or the hole of the socket outlet is loose, do not use the power cord and contact an authorized service centre.
- Do not plug the appliance into a multi socket adapter which does not have a power cable (mounted).
- Do not modify or extend the power cable.
- The appliance should be connected to a dedicated power line which is separately fused.
- Do not use a multi socket outlet which is not properly grounded (portable). In case of using a properly-grounded multi socket outlet (portable), use the multi socket outlet with the current capacity of the power code rating or higher and use the multi socket outlet only for the appliance.
- Install the appliance in a place where is easy to unplug the power plug of the appliance.
- Be careful not to point the power plug up or let the appliance lean against the power plug.
- Install the appliance on a firm and level floor.

- Do not install the appliance in a damp and dusty place. Do not install or store the appliance in any outdoor area, or any area that is subject to weathering conditions such as direct sunlight, wind, rain, or temperatures below freezing.
- Do not place the appliance in direct sunlight or expose it to the heat from heating appliances such as stoves or heaters.
- Be careful not to expose the rear of the appliance when installing.
- Be careful not to let the appliance door fall during assembly or disassembly.
- Be careful not to pinch, crush, or damage the power cable during assembly or disassembly of the appliance door.
- Do not connect a plug adapter or other accessories to the power plug.

### **Operation**

- Do not use the appliance for any purpose (storage of medical or experimental materials or shipping) other than any domestic household food storage use.
- Unplug the power plug during a severe thunderstorm or lightening or when not in use for a long period of time.
- Do not touch the power plug or the appliance controls with wet hands.
- Do not bend the power cable excessively or place a heavy object on it.
- If water penetrates electrical parts of the appliance, disconnect power plug and contact an LG Electronics customer information centre.
- Do not place hands or metallic objects inside the area emitting the cold air, cover or heat releasing grille on the back.
- Do not apply excessive force or impact to the back cover of the appliance.
- Do not put animals, such as pets into the appliance.
- Be careful of nearby children when you open or close the appliance door. The door may bump the child and cause injury.
- Avoid the danger of children getting trapped inside the appliance. A child trapped inside the appliance can cause suffocation.
- Do not place heavy or fragile objects, containers filled with liquid, combustible substances, flammable objects (such as candles, lamps, etc.), or heating devices (such as stoves, heaters, etc.) on the appliance.

- If there is a gas leakage (isobutane, propane, natural gas, etc.), do not touch the appliance or power plug and ventilate the area immediately. This appliance uses a refrigerant gas (isobutane, R600a). Although it uses a small amount of the gas, it is still combustible gas. Gas leakage during appliance transport, installation or operation can cause fire, explosion or injury if sparks are caused.
- Do not use or store flammable or combustible substances (ether, benzene, alcohol, chemical, LPG, combustible spray, insecticide, air freshener, cosmetics, etc.) near the appliance.
- Immediately unplug the power plug and contact an LG Electronics customer information centre if you detect a strange sound, odour, or smoke coming from the appliance.
- Fill with potable water only into icemaker or dispenser water tank.
- Do not damage the refrigerant circuit.
- Do not place any electronic appliance (such as heater and mobile phone) inside the appliance.

## **Maintenance**

- Disconnect the power cord before cleaning the appliance or replacing the inside lamp (where fitted).
- Securely plug the power plug in the socket outlet after completely removing any moisture and dust.
- Never unplug the appliance by pulling on the power cable. Always grip the power plug firmly and pull straight out from the socket outlet.
- Do not spray water or inflammable substances (toothpaste, alcohol, thinner, benzene, flammable liquid, abrasive, etc.) over the interior or exterior of the appliance to clean it.
- Do not clean the appliance with brushes, cloths or sponges with rough surfaces or which are made of metallic material.
- Only qualified service personnel from LG Electronics service centre should disassemble, repair, or modify the appliance. Contact an LG Electronics customer information centre if you move and install the appliance in a different location.
- Do not use a hair drier to dry the inside of the appliance or place a candle inside to remove the odours.
- Do not use mechanical devices or other means to accelerate the defrosting process.

**Disposal**

- When discarding the appliance, remove the door gasket while leaving the shelves and baskets in place and keep children away from the appliance.
- Dispose of all packaging materials (such as plastic bags and styrofoam) away from children. The packaging materials can cause suffocation.

**Technical Safety**

- Keep ventilation openings, in the appliance enclosure or in the built-in structure, clear of obstruction.
- Do not use electrical appliances inside the refrigerator.
- The refrigerant and insulation blowing gas used in the appliance require special disposal procedures. Consult with service agent or a similarly qualified person before disposing of them.
- Refrigerant leaking out of the pipes could ignite or cause an explosion.
- The amount of refrigerant in your particular appliance is shown on the identification plate inside the appliance.
- Never start up an appliance showing any signs of damage. If in doubt, consult your dealer.
- This appliance is intended to be used in household and similar applications only. It should not be used for commercial, or catering purposes, or in any mobile application such as a caravan or boat.
- Do not store explosive substances such as aerosol cans with a flammable propellant in this appliance.
- This refrigerating appliance is not intended to be used as a built-in appliance.

## Risk of Fire and Flammable Materials



This symbol alerts you to flammable materials that can ignite and cause a fire if you do not take care.

- This appliance contains a small amount of isobutane refrigerant (R600a), but it is also combustible. When transporting and installing the appliance, care should be taken to ensure that no parts of the refrigerating circuit are damaged.
- If a leak is detected, avoid any naked flames or potential sources of ignition and air the room in which the appliance is standing for several minutes. In order to avoid the creation of a flammable gas air mixture if a leak in the refrigerating circuit occurs, the size of the room in which the appliance is used should correspond to the amount of refrigerant used. The room must be 1 m<sup>2</sup> in size for every 8 g of R600a refrigerant inside the appliance.
- When positioning the appliance, ensure the supply cord is not trapped or damaged.
- Do not locate multiple portable socket-outlets or portable power supplies at the rear of the appliance.

## CAUTION

To reduce the risk of minor injury to persons, malfunction, or damage to the product or property when using this product, follow basic precautions, including the following:

### Installation

- Do not tilt the appliance to pull or push it when transporting.
- Make sure not to get a body part such as a hand or foot stuck while moving the appliance.

### Operation

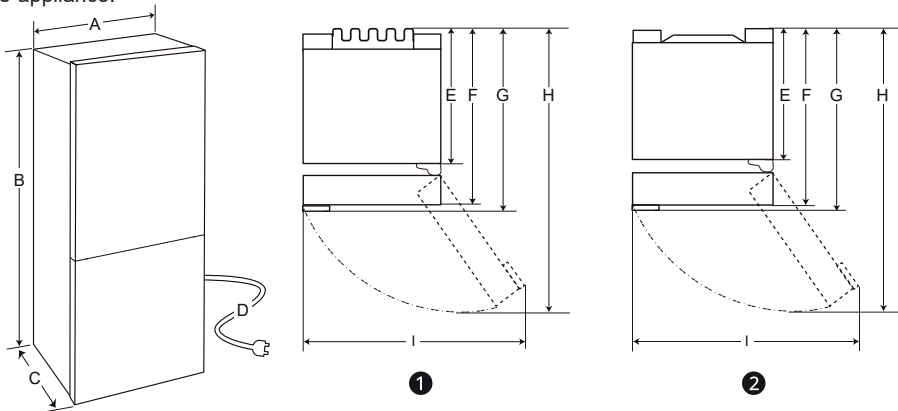
- Do not touch frozen food or the metal parts in the freezer compartment with wet or damp hands. It may cause frostbite.
- Do not place glass containers, bottles or cans (especially those containing carbonated drinks) in the freezer compartment, shelves or ice bin that will be exposed to temperatures below freezing.
- The tempered glass on the front side of the appliance door or the shelves can be damaged by an impact. If it is broken, do not touch it with hands.
- Do not hang from the appliance doors, storage room, shelf or climb up into it.
- Do not store an excessive amount of water bottles or containers for side dishes on the door baskets.
- Prevent animals from nibbling on the power cable or water hose.
- Do not open or close the appliance door with excessive force.
- If the hinge of the appliance door is damaged or operates improperly, stop using the appliance and contact an authorized service centre.
- Do not clean glass shelves or covers with warm water when they are cold.
- Never eat frozen foods immediately after they have been taken out in the freezer compartment.
- Make sure not to get a hand or foot stuck upon opening or closing the appliance door.

### Maintenance

- Do not insert the shelves upside down. The shelves may fall.
- To remove frost from the appliance, contact an LG Electronics customer information centre.

## Dimensions and Clearances

Too small of a distance from adjacent items may result in the degradation of freezing capability and increased electricity costs. Allow over 50 mm of clearance from each adjacent wall when installing the appliance.



	1		2	
	Size [mm]			
	Pocket Handle	Bar Handle	Pocket Handle	Bar Handle
A	595	595	595	595
B	1 860 / 2 030	1 860 / 2 030	1 860 / 2 030	1 860 / 2 030
C	682	718	675	712
D	2 100	2 100	2 100	2 100
E	616	616	610	610
F	682	682	675	675
G	-	718	-	712
H	1 230	1 237	1 225	1 232
I	995	995	995	995

### NOTE

- The measurements in the table above are approximate.

## Ambient Temperature

- The appliance is designed to operate within a limited range of ambient temperatures, depending on the climate zone.
- The internal temperature could be affected by the location of the appliance, the ambient temperature, the frequency of door opening and so on.
- The climate class can be found on the rating label.

Climate Class	Ambient Temperature Range °C
SN (Extended Temperate)	+10 - +32
N (Temperate)	+16 - +32
ST (Subtropical)	+16 - +38
T (Tropical)	+16 - +43 / +10 - +43*

\*Australia, India, Kenya

### NOTE

- The appliances rated from SN to T are intended to be used at an ambient temperature between 10 °C and 43 °C.

## Notes for Operation

- Users should keep in mind that frost can form. If the door is not closed completely, if the humidity is high during the summer, or if the freezer door is opened frequently.
- Ensure there is sufficient space between food stored on the shelf or door basket to allow the door to close completely.
- Opening the door for long periods can cause a significant increase of the temperature in the compartments of the appliance.
- If the refrigerating appliance is left empty for long periods, switch off, defrost, clean, dry, and leave the door open to prevent mould developing within the appliance.

## Suggestion for Energy Saving

- Ensure there is sufficient space between stored foods. This allows cold air to be circulated evenly and lowers electricity bills.
- Store hot food only after it has cooled in order to prevent dew or frost.
- When storing food in the freezer compartment, set the freezer temperature lower than the temperature indicated on the food.
- Do not put food near the temperature sensor of the fridge compartment. Keep a distance of at least 3 cm from the sensor.
- Note that a temperature rise after defrosting has a permissible range in the appliance specifications. If you wish to minimise the impact this may have on the food storage due to a temperature rise, seal or wrap the stored food in several layers.
- The automatic defrosting system in the appliance ensures that the compartment remains free of ice buildup under normal operating conditions.
- For the most efficient use of energy, keep all inner parts (e.g. door bins, drawers and shelves) on their original location.
- Do not set the temperature of the appliance lower than needed.

## Storing Foods Effectively

- Store frozen food or refrigerated food inside sealed containers.
- Check the expiration date and label (storage instructions) before storing food in the appliance.
- Do not store food for a long period of time if it spoils easily at a low temperature.

- Avoid refreezing any food which has been completely thawed. Freezing any food which has been completely thawed again will lower its taste and nutrition.
- Do not wrap and store vegetables with newspaper. Printing material of newspaper or other foreign substances may smear and contaminate food.
- Do not overfill the appliance. Cold air can not circulate properly if the appliance is overfilled.
- If you set an excessively low temperature for food, it may become frozen. Do not set a temperature lower than the required temperature for the food to be stored correctly.
- For more space, you can remove bottle rack, egg tray, ice tray and fresh converter drawer.
- Store raw meat and fish in suitable containers in the refrigerator, so that it is not in contact with or drip onto other food.
- Place the refrigerated food or frozen food in each fridge or freezer compartment immediately after purchasing.
- Food may freeze or spoil if stored at the wrong temperature. Set the refrigerator to the correct temperature for the food being stored.

## Max Freezing Capacity

- The Express Freeze function will set the freezer to its maximum freezing capacity. This generally takes up to 24 hours and automatically switches off.
- If the maximum freezing capacity is to be used, Express Freeze must be switched on for 7 hours before fresh produce is placed in the freezer compartment.

## Freezing the Maximum Amount of Food

- To get better air circulation, insert all drawers.
- If large quantities of food are to be stored, all the freezer drawers shall be taken out of the appliance and the food shall be stacked directly on the freezer shelf (or shelves) in the freezer compartment.



**NOTE**

- To remove the drawers, first remove the food from drawers and then pull out the drawers carefully. Not doing so could cause injury or damage to the drawers.
- The shape of each drawer may be different, insert in the right position.

**Setting the Temperature**

This sets the fridge temperature or freezer temperature

Press the **Fridge** button or **Freezer** button to adjust the temperature.

- The temperature can be adjusted.
  - Fridge : from 1 °C to 7 °C
  - Freezer : from -15 °C to -23 °C
- The initial temperature is set.
  - Fridge : 3 °C
  - Freezer : -18 °C

The actual inner temperature varies depending on the food status, as the indicated setting temperature is a target temperature, not actual temperature within the appliance.

**NOTE**

- The default temperature setting may vary depending on the appliance.
- For optimal food preservation, increasing or decreasing 1 °C or one level from the default temperature is recommended for each compartment.
- Wait until 2 or 3 hours have passed after connecting the appliance to the outlet before storing food in the appliance.
- For ice making in normal climates, the freezer temperatures should be set to -18 °C or colder.

**High Temperature Alarm**

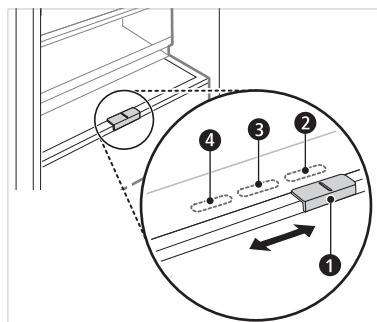
When the freezer temperature goes too high due to power failure, the freezer temperature LED lamp blinks and an alarm sounds.

- Press the **Freezer** button to stop.
- If the temperature is sufficiently cold, the blinking and alarm will automatically stop.
- This function operates:
  - When the refrigerator is turned on.
  - When the freezer compartment gets too warm.
  - When there is a power outage that lasts for a long period of time.
  - When large amounts of warm food are placed in the freezer compartment.
  - When the freezer door is left open for too long or too frequently.

**Fresh Converter ( \* )**

As a chill compartment, the temperature in the fresh converter can be controlled by sliding the lever ①, where located in front of compartment, in either direction.

When keeping vegetables after setting up Meat or Fish, the cold injury may occur.



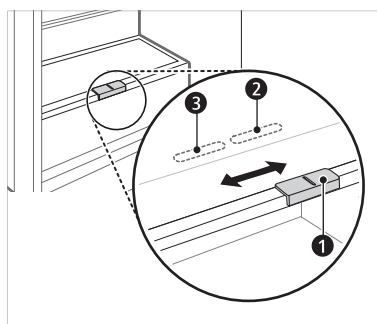
- ② For storing vegetables.(Recommended)
- ③ For storing fish.
- ④ For storing meat.

**NOTE**

- ( \* ) : This feature varies depending on the model purchased.

**Fresh Vegetable Drawer ( \* )**

Vegetable compartment can adjust the humidity by moving the knob ①.



- ② For storing vegetables.(Recommended)
- ③ For storing fruit.

**NOTE**

- ( \* ) : This feature varies depending on the model purchased.

## Food Storage Compartments

### Storing Food in the Fridge Compartment

- **Fridge Shelf**

- This is where refrigerated foods and other items are stored.
- The shelf height can be adjusted by inserting the shelf in another groove of different height.
- Store the foods with higher moisture content at the front of the shelf.
- The actual number of shelves will differ from model to model.

- **Bottle Rack (\*)**

- This is where drinks tall bottles or containers are stored.

- **Folding Shelf (\*)**

- This is where refrigerated foods and high items are stored.

- **Fresh Vegetable Drawer (\*)**

- This is where fruits and vegetables are stored to help maintain freshness by adjusting the humidity controller.
- The appearance or components of the appliance may differ from model to model.

- **Fresh Converter (\*)**

- As a chill compartment, this is where meat, fish and vegetables are stored. Help maintain freshness by adjusting the humidity controller located in the back of the fridge compartment.
- For more space, you can use chill area without chill compartment drawer.

- **Movable Egg Tray**

- This is where eggs are stored.
- You can move it to and use it at a desired position as needed. However, do not use it as the ice bin or place it on the shelf on top of the fridge or the vegetables drawer.

- **Fridge Door Basket**

- This is where small packages of refrigerated foods, drinks and sauce containers are stored.

- **Water Dispenser Tank (\*)**

- This is where water to supply the dispenser or the automatic icemaker is stored. It requires manual filling. (Non plumbed models only)

### Storing Food in the Freezer Compartment

- **Ice Tray**

- This is where ice is produced and stored.
- For more space, you can remove the ice tray or ice cubes bucket.

- **Freezer Drawer**

- This is for long-term storage of frozen items.
- To freeze food items quickly, store the food on the left side of the top drawer. Food items will freeze most quickly in the drawer.

#### NOTE

- (\*) : This feature varies depending on the model purchased.
- For more information about other compartments, visit [lg.com](http://lg.com) and download owner's manuals.

## Control Panel

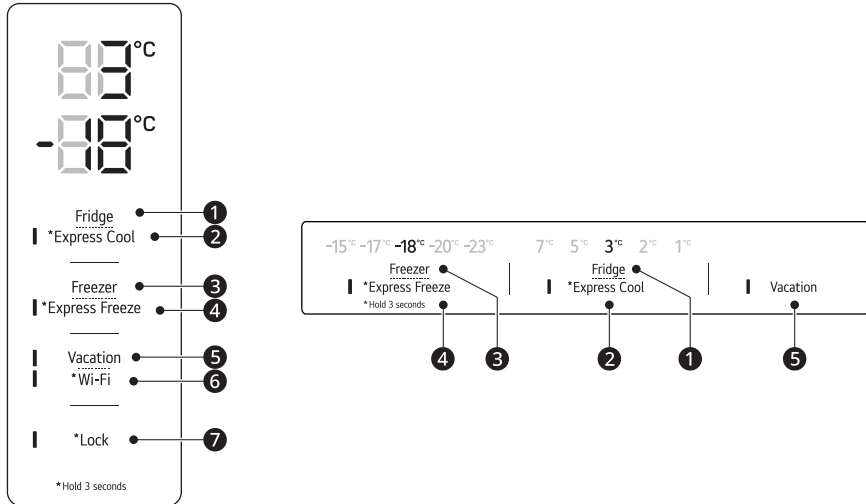
The actual control panel may differ from model to model.

### Control Panel and Functions

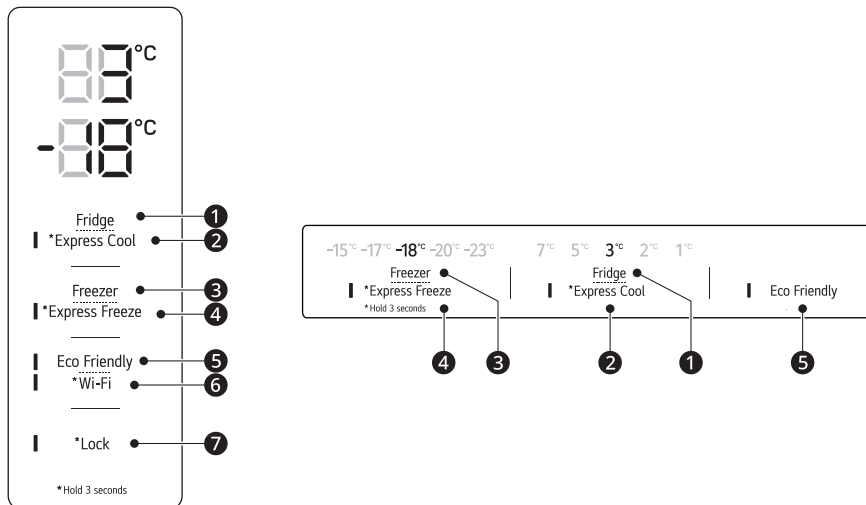
\*1 This feature is only available on some models.

The control panel can be found either on the Fridge Door or inside the Fridge depending on the model.

#### Type A



#### Type B



**1 Fridge**

Press this button repeatedly to select a desired temperature between 1 °C and 7 °C.

- The default fridge temperature is 3 °C.

**2 Express Cool**

This function can quickly cool a large amount of foods such as vegetable, fruit and so on.

- This function is enabled and disabled in turn each time you press the button for 3 seconds.

**3 Freezer**

Press this button repeatedly to select a desired temperature between -15 °C and -23 °C.

- The default freezer temperature is -18 °C.

**4 Express Freeze**

This function can quickly freeze a large amount of ice or frozen foods.

- Press the **Express Freeze** button to activate the function for 24 hours. The function automatically shuts off after 24 hours.
- This function is enabled and disabled in turn each time you press the button for 3 seconds.
- When this mode is on, noise may occur and energy consumption may increase.

**5 Vacation**

This function is useful when you are away on a holiday. When this function is on, the fridge temperature is 7°C and the freezer temperature -15°C. When this function is off, the fridge and freezer temperature return to the previous temperature settings.

- This function is enabled and disabled in turn each time you press the button.
- When this mode is on, the other buttons except **Lock** and **Wi-Fi** buttons will not operate.
- **Eco Friendly** has been renamed **Vacation**.

**⚠ CAUTION**

- When this function is on, be careful about storing foods that require a lower temperature than the default temperature.
- When you return home, remember to turn this function off to unlock the other buttons and return the refrigerator to its previous temperature settings.

**6 Wi-Fi\*1**

This button allows the appliance to connect to a home Wi-Fi network. Refer to **SMART FUNCTIONS** for information on the initial setup of the **LG ThinQ** application.

**7 Lock\*1**

This locks the buttons on the control panel.

- To lock the control panel buttons, press and hold the **Lock** button for 3 seconds until the function is activated.
- To disable the function, press and hold the **Lock** button for 3 seconds until the function is deactivated.

**NOTE**

- For optimal food preservation, increasing or decreasing 1 °C or one level from the default temperature is recommended for each compartment.
- The displayed temperature is the target temperature, and not the actual temperature inside the appliance.
- The actual temperature inside the appliance depends on the following factors: room temperature, the amount of food and how often the doors are opened, where the appliance is. Set the temperatures by considering these factors.
- The control panel will turn off automatically for energy saving.
- If there is any finger or skin contacts to the control panel while cleaning it, the button function may operate.

## LG ThinQ Application

This feature is only available on models with Wi-Fi.

The **LG ThinQ** application allows you to communicate with the appliance using a smartphone.

## LG ThinQ Application Features

Communicate with the appliance from a smartphone using the convenient smart features.

### Smart Diagnosis

- If you experience a problem while using the appliance, this smart diagnosis feature will help you diagnose the problem.

### Settings

- Allows you to set various options on the appliance and in the application.

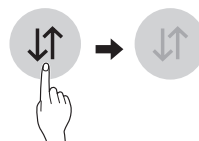
### NOTE

- If you change your wireless router, internet service provider, or password, delete the registered appliance from the **LG ThinQ** application and register it again.
- The application is subject to change for appliance improvement purposes without notice to users.
- Functions may vary by model.

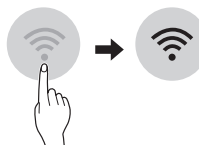
## Before Using LG ThinQ Application

- 1 Check the distance between the appliance and the wireless router (Wi-Fi network).
  - If the distance between the appliance and the wireless router is too far, the signal strength becomes weak. It may take a long time to register or installation may fail.

- 2 Turn off the **Mobile data** or **Cellular Data** on your smartphone.



- 3 Connect your smartphone to the wireless router.



### NOTE

- To verify the Wi-Fi connection, check that the Wi-Fi icon on the control panel is lit.
- The appliance supports 2.4 GHz Wi-Fi networks only. To check your network frequency, contact your Internet service provider or refer to your wireless router manual.
- **LG ThinQ** is not responsible for any network connection problems or any faults, malfunctions, or errors caused by network connection.
- If the appliance is having trouble connecting to the Wi-Fi network, it may be too far from the router. Purchase a Wi-Fi repeater (range extender) to improve the Wi-Fi signal strength.
- The Wi-Fi connection may not connect or may be interrupted because of the home network environment.
- The network connection may not work properly depending on the Internet service provider.
- The surrounding wireless environment can make the wireless network service run slowly.
- The appliance cannot be registered due to problems with the wireless signal transmission. Unplug the appliance and wait about a minute before trying again.
- If the firewall on your wireless router is enabled, disable the firewall or add an exception to it.
- The wireless network name (SSID) should be a combination of English letters and numbers. (Do not use special characters.)


- Smartphone user interface (UI) may vary depending on the mobile operating system (OS) and the manufacturer.
- If the security protocol of the router is set to **WEP**, you may fail to set up the network. Please change it to other security protocols (**WPA2** is recommended) and register the product again.

## Installing the LG ThinQ Application

Search for the **LG ThinQ** application from the Google Play Store or Apple App Store on a smart phone.

- Follow instructions to download and install the application.

## Connecting to Wi-Fi

The **Wi-Fi** button, when used with the **LG ThinQ** application, allows the appliance to connect to a home Wi-Fi network. The  icon shows the status of the appliance's network connection. The icon illuminates when the appliance is connected to the Wi-Fi network.


### Initial Appliance Registration

- Run the **LG ThinQ** application and follow the instructions in the application to register the appliance.

### Re-registering the Appliance or Registering Another User

- Press and hold the **Wi-Fi** button for 3 seconds to temporarily turn it off. Run the **LG ThinQ** application and follow the instructions in the application to register the appliance.

### NOTE

- To disable the Wi-Fi function, press and hold the **Wi-Fi** button for 3 seconds.  icon will be turned off.

## Open Source Software Notice Information

To obtain the source code under GPL, LGPL, MPL, and other open source licenses that have the obligations to disclose source code, that is contained in this product, and to access all referred license terms, copyright notices and other relevant documents please visit <http://opensource.lge.com>. LG Electronics will also provide open source code to you on CD-ROM for a charge covering the cost of performing such distribution (such as the cost of media, shipping, and handling) upon email request to [opensource@lge.com](mailto:opensource@lge.com).

This offer is valid to anyone in receipt of this information for a period of three years after our last shipment of this product.

## Notes for Cleaning

- When removing a shelf or drawer from inside the appliance, remove all stored foods from the shelf or drawer to prevent injury or damage to the appliance.
  - Otherwise, injury may occur due to the weight of stored foods.
- If cleaning the outside air vents of the appliance by means of vacuuming, then the power cord should be unplugged from the outlet to avoid any static discharge that can damage the electronics or cause an electric shock.
- Detach the shelves and drawers and clean them with water, and then dry them sufficiently, before replacing them.
- Regularly wipe the door gaskets with a wet soft towel.
- Door basket spills and stains should be cleaned as they can compromise storage ability of the basket and could even be damaged.
- After cleaning, check if the power cable is damaged, warm or improperly plugged.
- Keep the air vents on the exterior of the appliance clean.
  - Blocked air vents can cause fire or appliance damage.
- When cleaning the inside or outside of the appliance, do not wipe it with a rough brush, toothpaste, or flammable materials. Do not use cleaning agents containing flammable substances.
  - This may cause discoloration or damage to the appliance.
  - Flammable substances: alcohol (ethanol, methanol, isopropyl alcohol, isobutyl alcohol, etc.), thinner, bleach, benzene, flammable liquid, abrasive, etc.
- For the appliance exterior, use a clean sponge or soft cloth and a mild detergent in warm water. Do not use abrasive or harsh cleaners. Dry thoroughly with a soft cloth.
- Never clean the shelves or containers in the dishwasher.
  - The parts may become deformed due to the heat.
- Regularly clean surfaces that can come in contact with food.
- If the appliance is equipped with an LED lamp, do not remove lamp cover and LED lamp in any attempt to repair or service it. Please, contact an LG Electronics customer information centre.

## Disposal of Your Old Appliance



- This crossed-out wheeled bin symbol indicates that waste electrical and electronic products (WEEE) should be disposed of separately from the municipal waste stream.
- Old electrical products can contain hazardous substances so correct disposal of your old appliance will help prevent potential negative consequences for the environment and human health. Your old appliance may contain reusable parts that could be used to repair other products, and other valuable materials that can be recycled to conserve limited resources.
- You can take your appliance either to the shop where you purchased the product, or contact your local government waste office for details of your nearest authorised WEEE collection point. For the most up to date information for your country please see [www.lg.com/global/recycling](http://www.lg.com/global/recycling).

## Before Calling for Service

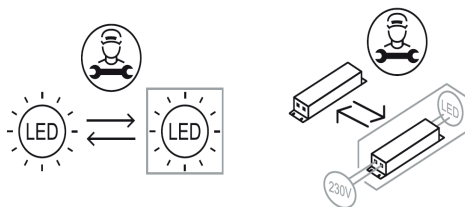
### Customer Care and Service

Contact an LG Electronics customer information centre.

- To find information on LG authorized service centre, visit our website at [www.lg.com](http://www.lg.com).
- Only qualified service personnel from LG authorized service centre should disassemble, repair, or modify the appliance.
- The minimum warranty period of this refrigerating appliance is 24 months.
- To purchase spare parts, contact an LG Electronics customer information centre or our website at [www.lg.com](http://www.lg.com).
- Spare parts referenced in Regulation EU 2019/2019 are available for 7 years (only door gaskets are available for 10 years).

### NOTE

- For more information about the energy efficiency of the appliance, visit <https://ec.europa.eu> and search using the model name (valid from 1st March 2021).
- Regulation EU 2019/2019, valid from 1st March 2021, is related to the Energy Efficiency classes by Regulation EU 2019/2016.
- Scan the QR code on the energy label supplied with the appliance, which provides a web link to the information related to the performance of the appliance in the EU EPREL database. Keep the energy label for reference and all other documents supplied with the appliance (valid from 1st March 2021).
- The model name can be found on the rating label of the appliance.
- This product contains a light source of energy efficiency class G.







РЪКОВОДСТВО ЗА  
ЕКСПЛОАТАЦИЯ

# ХЛАДИЛНИК И ФРИЗЕР

**Прочетете ръководството за експлоатация подробно, преди да работите с уреда, и го съхранявайте на удобно място за справки по всяко време.**

[www.lg.com](http://www.lg.com)

Вижте ръководството за експлоатация на уебсайта на LG за по-подробна информация.

Copyright © 2019-2023 LG Electronics Inc. Всички права запазени

# СЪДЪРЖАНИЕ

Това ръководство може да съдържа изображения или съдържание, различно от модела, който сте закупили.

Ръководството подлежи на редакция от производителя.

<b>ИНСТРУКЦИИ ЗА БЕЗОПАСНОСТ .....</b>	<b>3</b>
Важни инструкции за безопасност.....	3
<b>МОНТИРАНЕ.....</b>	<b>10</b>
Размери и отстояния .....	10
Околна температура.....	10
<b>ЕКСПЛОАТАЦИЯ .....</b>	<b>11</b>
Бележки по експлоатацията.....	11
Конвертор за пресни продукти ( * ).....	12
Чекмедже за свежи зеленчуци ( * ).....	13
Контролен панел .....	15
<b>ИНТЕЛИГЕНТНИ ФУНКЦИИ .....</b>	<b>17</b>
Приложението LG ThinQ .....	17
<b>ПОДДРЪЖКА .....</b>	<b>19</b>
Забележки относно почистването.....	19
Изхвърляне на стария уред .....	19
<b>ОТСТРАНЯВАНЕ НА НЕИЗПРАВНОСТИ .....</b>	<b>20</b>

## Допълнителна Информация Относно Ръководството


Това е кратка версия на ръководството за експлоатация. За повече информация, моля, посетете уебсайта на LG <http://www.lg.com>



## Отстраняване на неизправности



Насоките за безопасност по-долу имат за цел да предотвратят непредвидени рискове или увреждане поради опасна или неправилна употреба на продукта. Насоките са разделени в графи „**ПРЕДУПРЕЖДЕНИЕ**“ и „**ВНИМАНИЕ**“, както е описано по-долу.

 Този символ е използван за посочване на фактори и употреби, които могат да носят риск. Прочетете внимателно частта, обозначена с този символ, и следвайте инструкциите, за да избегнете рискове.

## **ПРЕДУПРЕЖДЕНИЕ**

Това показва, че неспазването на инструкциите може да причини сериозни наранявания или смърт.

## **ВНИМАНИЕ**

Това показва, че неспазването на инструкциите може да причини леки наранявания или да нанесе повреда на продукта.

### Важни инструкции за безопасност

## **ПРЕДУПРЕЖДЕНИЕ**

За да намалите риска от пожар, електрически удар или наранявания на хора при употреба на продукта, трябва да се спазват основните предпазни мерки, включително и следните :

### **Деца в домакинството**

- Този уред не е предназначен за използване от хора (включително деца) с ограничени физически, сетивни или умствени способности или липса на опит и познания, освен ако не са наблюдавани или инструктирани относно употребата на уреда от лице, отговорно за тяхната безопасност. Децата трябва да се наблюдават, за да се гарантира, че не си играят с уреда.
- Ако уредът е оборудван с ключалка (само за някои модели), пазете ключа на недостъпно за деца място.

### **За употреба в Европа:**

- Този уред може да се използва от деца на възраст над 8 години и лица с намалени физически, сензорни или умствени способности или липса на опит и знания, стига да са под наблюдение или да получават инструкции относно употребата на уреда по безопасен начин, разбирайки възможните опасности. Деца не бива да си играят с уреда. Почистването и поддръжката не бива да се извършват от деца без надзор.
- Деца на възраст от 3 до 8 години могат да зареждат и изпразват хладилния уред.

### **Монтиране**

- Този уред трябва да се транспортира само от двама или повече души, държащи здраво уреда.
- Уверете се, че контактът е правилно заземен и че заземяващият щифт върху електрическия кабел не е повреден или свален от щепсела. За повече информация относно заземяването попитайте в центъра за информация за клиенти на LG Electronics.
- Този уред е оборудван със захранващ кабел с проводник за заземяване на оборудването и със заземяващ щепсел. Щепселът трябва да бъде включен в подходящ контакт, който е монтиран и заземен в съответствие с всички местни кодекси и наредби.
- Ако захранващият кабел е повреден или ако отворите на контакта са хлабави, не използвайте кабела и се свържете с оторизиран сервизен център.
- Не включвайте уреда в многоходов адаптер, който няма захранващ кабел (вграден).
- Не променяйте и не удължавайте електрическия кабел.
- Уредът трябва да се свърже към самостоятелна електрическа линия с отделен бушон.
- Не използвайте многоходов контакт, който не е правилно заземен (подвижен). В случай на използване на правилно заземен многоходов контакт (подвижен), използвайте многоходов контакт с допустимото токово натоварване на захранващия кабел или по-високо и го използвайте само за уреда.
- Поставете уреда на място, където щепселът на уреда да може лесно да се откача от контакта.

- Внимавайте да не извъртате захранващия щепсел нагоре и да не оставяте уреда да лежи върху него.
- Поставете уреда върху стабилен и равен под.
- Не монтирайте уреда на влажно и прашно място. Не монтирайте или съхранявайте уреда на открито място или на място, което е изложено на атмосферни условия като директна слънчева светлина, вятър, дъжд или температури под нулата.
- Не поставяйте уреда на пряка слънчева светлина и не го излагайте на топлина от нагревателни уреди, като напр. печки или отоплителни тела.
- Внимавайте да не излагате задната част на уреда при монтаж.
- Внимавайте вратата на уреда да не падне по време на сглобяване или разглобяване.
- Внимавайте да не пробие, смачкате или повредите кабела при сглобяване или разглобяване на вратата на уреда.
- Не свързвайте адаптер или други приспособления към контакта.

### **Експлоатация**

- Не използвайте уреда за каквито и да е цели (съхранение на медицински или експериментални материали или за пренос), различни от тези за съхранение на храни в домакинството.
- Изваждайте щепсела при силна гръмотевична буря, при светкавици или когато уредът не е в употреба за дълго време.
- Не пипайте щепсела или стредствата за управление на уреда с мокри ръце.
- Не огъвайте прекалено много захранващия кабел и не поставяйте тежки предмети върху него.
- Ако в електрическите части на уреда проникне вода, разкачете щепсела и се свържете с център за информация за клиенти на LG Electronics.
- Не поставяйте ръцете си или метални предмети в зоната, от която излиза студеният въздух, върху капака или решетката, излъчваща топлина в задната част.
- Не прилагайте прекомерна сила или натиск към задната стена на уреда.
- Не поставяйте живо животно в продукта. Животното може да се задуши.

- Внимавайте, ако наблизо има деца, когато отваряте или затваряте вратата на уреда. Вратата може да бутне децата и да причини нараняване. Не позволявайте на никого да се люлее на която и да е врата, тъй като това може да доведе до преобръщане на уреда и да причини сериозно нараняване.
- Внимавайте за опасността от затваряне на деца в уреда. Дете, затворено в уреда, може да се задуши.
- Не поставяйте тежки или чупливи предмети, съдове с течности, запалими вещества, лесно възпламеними предмети (напр. свещи, лампи и т.н.), или нагревателни уреди (печки, радиатори и т.н.) върху уреда.
- Ако е налице изтичане на газ (изобутан, пропан, природен газ и др.), не пипайте уреда, не включвайте веднага в захранването и незабавно проветрете мястото. Този уред използва газообразен хладилен агент (изобутан, R600a). Макар и да използва малко количество газ, той все пак е запалим. Изтичането на газ по време на транспортиране на уреда, при монтаж или при работа, може да причини пожар, експлозия или нараняване, ако се появят искри.
- Не използвайте и не съхранявайте запалителни или горивни субстанции (етер, бензол, алкохол, химикали, втечен въглеродороден газ, горивен спрей, инсектициди, ароматизатори за въздух, козметика и др.) в близост до уреда.
- Незабавно извадете щепсела от контакта и се свържете с център за информация за клиенти на LG Electronics, ако установите необичаен шум, мирис или дим, идващи от уреда.
- Пълнете с питейна вода само в ледогенератора или резервоара за вода.
- Не повреждайте хладилния кръг.
- Не поставяйте друг електронен уред (като нагревател или мобилен телефон) в уреда.

### **Поддръжка**

- Разкачайте електрическия кабел преди почистване на уреда или смяна на вътрешната крушка (ако има такава).
- Вкарайте щепсела правилно в контакта, след като премахнете напълно всякаква влага и прах.
- Никога не изключвайте уреда, като дърпате захранващия кабел. Винаги хващайте щепсела здраво и дърпайте направо от контакта.

- Не пръскайте вода или запалителни вещества (паста за зъби, алкохол, разрежител, бензол, запалими течности, абразиви и т.н.) за почистване на уреда отвън или отвътре.
- Не почиствайте уреда с четки, кърпи или гъби с груби повърхности или такива, направени от метален материал.
- Само оторизиран сервизен персонал от сервизния център на LG Electronics трябва да разглобява, поправя или модифицира уреда. Свържете се с център за информация за клиенти на LG Electronics, ако премествате и инсталирате уреда на друго място.
- Не използвайте сешоар, за да изсушите вътрешността на уреда, и не поставяйте свещ вътре, за да премахнете миризмите.
- Не използвайте механични уреди или други средства, за да ускорите процеса на размразяване.

### **Изхвърляне**

- Когато изхвърляте уреда, свалете гарнитурата на вратата, оставете рафтовете и кошниците на място и не позволявайте на децата да се доближават до уреда.
- Изхвърлете целия опаковъчен материал (като пластмасови чанти и стиропор) далече от деца. Опаковъчните материали могат да причинят задушаване.

### **Техническа безопасност**

- Не поставяйте прегради пред вентилационните отворите в преградните стени на уреда или във вграденото тяло.
- Не използвайте електрически уреди вътре в хладилника.
- Необходима е специална процедура по изхвърляне на хладилния агент и на изолацията, отделяща газ, използвани в уреда. Консултирайте се с техник или друго подобно квалифицирано лице, преди да ги изхвърлите.
- Хладилен агент, който изтича от тръбите, би могъл да се запали или да предизвика експлозия.
- Количеството хладилен агент за вашия конкретен уред е посочено на идентификационната табела в уреда.
- Никога не включвайте уред, който дава признаци на повреда. Ако имате съмнения, консултирайте се с вашия търговец.

- Този уред е предназначен само за употреба в домакинството и други подобни употреби. Той не трябва да се използва за търговски цели, кетъринг или мобилно приложение, като например в каравана или лодка.
- Не съхранявайте взривни вещества като аерозолни флакони със запалим газ в уреда.
- Този хладилен уред не е предназначен да се използва като вграден уред.

### Риск от пожар и запалими материали



Този символ ви предупреждава за запалими материали, които могат да се възпламенят и да причинят пожар, ако не внемавате.

- Този уред съдържа малко количество от хладилния агент изобутан (R600a), но то също е запалимо. Когато транспортирате и монтирате уреда, следва да внемавате да не повредите някоя част от хладилния кръг.
- Ако има установен теч, избягвайте открити пламъци или потенциални запалими източници и проветрете стаята, в която се намира уредът, за няколко минути. За да избегнете образуването на въздушна смесица със запалим газ, ако се появи теч в хладилния кръг, размерът на помещението, в което се използва уредът, трябва да съответства на количеството използван хладилен агент. Помещението трябва да е с размер 1 m<sup>2</sup> за всеки 8 g хладилен агент R600a в уреда.
- Когато позиционирате уреда, уверете се, че захранващият кабел не е затиснат или повреден.
- Не разполагайте множество преносими контакти или преносими захранващи устройства в задната част на уреда.

### **⚠ ВНИМАНИЕ**

**За намаляване на риска от незначително нараняване на лица, неправилна работа или повреда на продукта или материални щети спазвайте основните предпазни мерки, включително:**

#### **Монтиране**

- Не накланяйте уреда, за да го придърпате или избутате по време на транспорт.



- Внимавайте да не притискате части от тялото (напр. крак или ръка), докато премествате уреда.

### **Експлоатация**

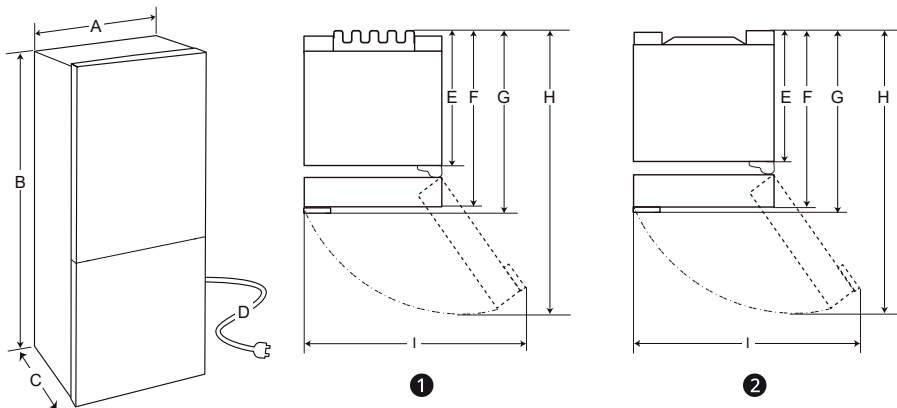
- Не докосвайте с мокри или влажни ръце замразена храна или металните части в отделението на фризера. Това може да доведе до замръзване.
- Не поставяйте стъклени съдове, бутилки или кенове (особено такива с газирани напитки) в камерата, на рафтове или в контейнера за лед, където ще бъдат изложени на температури под точката на замръзване.
- Закаленото стъкло в предната част на вратата на уреда или на рафтовете може да се повреди при удар. Не го пипайте с ръце, ако се счупи.
- Не се облягайте на вратите на уреда, на мястото за съхранение или на даден рафт и не се катерете върху тях.
- Не съхранявайте прекалено голямо количество бутилки с вода или съдове за гарнитура в кошниците на вратата.
- Не позволявайте на животни да дъвчат захранващия кабел или маркуча за водата.
- Не отваряйте и не затваряйте вратата на уреда с прекомерна сила.
- Ако пантата на вратата на уреда е повредена или работи неправилно, прекратете употребата и се свържете с упълномощен сервизен център.
- Не мийте стъклените рафтове или капаци с топла вода, когато са студени.
- Никога не яжте замразени храни веднага след като са били извадени от фризера.
- Внимавайте да не притиснете ръка или крак при отваряне или затваряне на вратата на уреда.

### **Поддръжка**

- Не поставяйте рафтовете обърнати. Така могат да паднат.
- За да премахнете замразяванията от уреда, свържете се с центъра за информация за клиенти на LG Electronics.

## Размери и отстояния

Твърде малкото разстояние до съседни предмети може да доведе до намаляване на замразителната способност и увеличено потребление на енергия. Оставете повече от 50 мм разстояние до всяка от съседните стени, когато инсталирате уреда.



	1		2	
	Размер [мм]			
	Джобна дръжка	Лостова дръжка	Джобна дръжка	Лостова дръжка
A	595	595	595	595
B	1 860 / 2 030	1 860 / 2 030	1 860 / 2 030	1 860 / 2 030
C	682	718	675	712
D	2 100	2 100	2 100	2 100
E	616	616	610	610
F	682	682	675	675
G	-	718	-	712
H	1 230	1 237	1 225	1 232
I	995	995	995	995

### ЗАБЕЛЕЖКА

- Измерванията в таблицата по-горе са приблизителни.

## Околна температура

- Уредът е предназначен за работа в ограничен температурен диапазон в зависимост от климатичната зона.
- Температурата в уреда може да бъде повлияна от местоположението му, околната температура, честотата на отваряне на вратата и т.н.
- Климатичният клас може да се види на етикета с данни.

Климатичен клас	Диапазон на околната температура в °C
SN (Разширен умерен)	+10 - +32
N (Умерен)	+16 - +32
ST (Субтропичен)	+16 - +38
T (Тропичен)	+16 - +43 / +10 - +43*

\*Австралия, Индия, Кения

### ЗАБЕЛЕЖКА

Уредите с категория от SN до T са предназначени за използване при температура на околната среда от 10°C до 43°C.

## Бележки по експлоатацията

- Потребителите трябва да имат предвид, че може да се образува скреж, ако вратата не се затваря добре, ако влажността е висока през лятото или ако вратата на фризера се отваря често.
- Уверете се, че има достатъчно място между съхраняваната върху рафта храна и кошницата на вратата, за да може вратата да се затваря напълно.
- Държането на вратата отворена за дълго време може да доведе до значително увеличение на температурата на уреда.
- Ако хладилният уред бъде оставен отворен за дълго време, трябва да го изключите, размразите, почистите, изсушите и да оставите вратата отворена, за да предотвратите образуването на плесен в уреда.

## Предложение за пестене на енергия

- Уверете се, че има достатъчно място между съхраняваните храни. Това позволява равномерна циркулация на студения въздух и намалява сметките за електричество.
- Прибирайте гореща храна само след като се е охладила, за да избегнете образуването на капчици или скреж.
- Когато съхранявате храна във фризера, настройте температурата на фризера на по-ниски стойности от температурата, посочена върху храната.
- Не слагайте храна близо до сензора за температурата на хладилника. Оставете разстояние от поне 3 cm от сензора.
- Имайте предвид, че повишаването на температурата след размразяване има допустим диапазон в спецификациите на уреда. Ако желаете да намалите влиянието, което това повишаване на температурата може да има върху съхранението на храна, затворете херметично или увийте съхраняваната храна в няколко слоя.
- Автоматичната система за размразяване на уреда гарантира, че при нормални условия на работа в него не се натрупва лед.
- За най-ефективно използване на енергията, дръжте всички вътрешни части (напр. контейнери за вратата, чекмеджета и рафтове) на оригиналното им местоположение.

- Не настройвайте температурата на уреда на по-ниска от необходимото.

## Ефективно съхраняване на храна

- Съхранявайте дълбоко замразената или охладената храна в затворени съдове.
- Проверявайте срока на годност и етикета (инструкциите за съхранение), преди да поставите храна за съхранение в уреда.
- Не съхранявайте храна за дълго време ако същата се разваля лесно при ниска температура.
- Поставяйте охладени или дълбоко замразени храни в хладилника или фризера незабавно след закупуването им.
- Съхранявайте сурово месо и риба в подходящите контейнери на хладилника, така че да не са в контакт с друга храна или да капе върху нея.
- Избягвайте повторното замразяване на храна, която е била напълно размразена. Повторното замразяване на храна, която е била напълно размразена, ще намали вкусовите и хранителните ѝ качества.
- Не увивайте и съхранявайте зеленчуци във вестник. Печатарското мастило на вестника или други чужди субстанции могат да зацапат или замърсят храните.
- Не препълвайте уреда. Студеният въздух не може да циркулира правилно, ако уредът е препълнен.
- Ако настроите твърде ниска температура, храната може да замръзне. Не настройвайте температура, по-ниска от необходимата за правилно съхраняване на храните.
- За повече пространство, можете да премахнете поставката за бутилки, поставката за яйца, съда за лед и чекмеджето за свежи продукти.
- Храната може да замръзне или да се развали, ако се съхранява при грешната температура. Настройте хладилника на правилната температура за храната, която се съхранява.

## Макс. замразяващ капацитет

- Функцията Express Freeze ще настрои фризера на максималния му замразяващ капацитет. Това обикновено продължава до 24 часа и автоматично се изключва.
- Ако трябва да използвате максималния замразяващ капацитет, Express Freeze трябва да се включи за седем часа преди да се поставят пресни продукти в отделението на фризера.

## Замразяване на максимално количество храни

- За да циркулира въздухът по-добре, вкарайте всички чекмеджета.
- Ако трябва да се съхраняват големи количества храна, всички чекмеджета на фризера трябва да се извадят и храната да бъде подредена директно върху рафта на фризера (или рафтовете) в отделението на фризера.

## ЗАБЕЛЕЖКА

- За да извадите чекмеджетата, първо извадете храната от чекмеджетата и после ги издърпайте внимателно. Неспазването на това указание може да доведе до нараняване или повреда на чекмеджетата.
- Формата на всяко чекмедже може да е различна, поставете ги в правилната позиция.

## Настройване на температурата

С това се настройва температурата на хладилника или на фризера.

- Натиснете бутона **Fridge** или бутона **Freezer**, за да регулирате температурата.
- Температурата може да бъде регулирана.
  - Хладилник: от 1 °C до 7 °C
  - Камера: от -15 °C до -23 °C
- Първоначалната температура е зададена.
  - Хладилник: 3°C
  - Камера: -18°C

Реалната вътрешна температура варира в зависимост от състоянието на храната, тъй като посочената температура за задаване е целевата, а не действителната температура в уреда.

## ЗАБЕЛЕЖКА

- Зададената температура по подразбиране може да е различна в зависимост от уреда.
- За оптимално запазване на храната се препоръчва увеличаване или намаляване с 1°C или една степен спрямо температурата по подразбиране за всяко отделение.
- Изчакайте да изминат 2 или 3 часа след като сте свързали уреда към контакта, преди да съхранявате храна в него.

- За произвеждане на лед в нормален климат температурите на фризера трябва да се задават на -18°C или по-студено.

## Аларма за висока температура

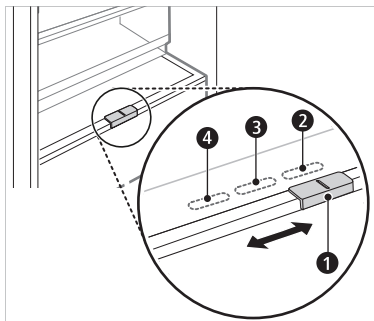
Когато температурата на фризера стане твърде висока поради спиране на електрозахранването, лампата LED за температурата примигва и прозвучава аларма.

- Натиснете бутона **Freezer** за спиране.
- Ако температурата е достатъчно студена, примигването и алармата автоматично ще спрат.
- Функцията работи:
  - Когато хладилникът е включен.
  - Когато отделението на фризера стане твърде топло.
  - Когато има прекъсване на електрозахранването за продължителен период от време.
  - Когато в отделението на фризера се поставят големи количества топла храна.
  - Когато вратата на фризера е оставена отворена за твърде дълго време или твърде често.

## Конвертор за пресни продукти ( \* )

Като охлаждащо отделение, температурата в конвертора за пресни продукти може да се контролира чрез плъзгане на лоста ①, намиращ се в предната част на отделението във всяка посока.

Когато съхранявате зеленчуци след като сте настроили Месо или Риба, може да настъпи увреждане от студа.



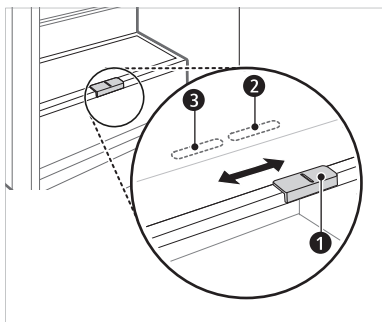
- ② За съхранение на зеленчуци (Препоръчва се)
- ③ За съхранение на риба.
- ④ За съхранение на месо.

**ЗАБЕЛЕЖКА**

- ( \* ) : Тази функция варира в зависимост от закупения модел.

**Чекмедже за свежи зеленчуци ( \* )**

Влажността в отделението за зеленчуци може да се регулира чрез завъртане на копчето ①.



- ② За съхранение на зеленчуци (Препоръчва се)
- ③ За съхранение на плодове.

**ЗАБЕЛЕЖКА**

- ( \* ) : Тази функция варира в зависимост от закупения модел.

## Отделения за съхранение на храна

### Съхранение на храна в хладилното отделение

- **Рафт на хладилника**
  - Охладените храни и другите продукти се съхраняват тук.
  - Височината на рафта може да бъде регулирана чрез вмъкването на рафта в други жлебове на различна височина.
  - Не съхранявайте малки бутилки или кутии. Елементите могат да паднат и да причинят нараняване или повреда на уреда.
  - Действителният брой рафтове може да се различава при различните модели.
- **Рафт за бутилки (\*)**
  - Високите бутилки или контейнери се съхраняват тук.
- **Сгъваем рафт (\*)**
  - Охладените храни и високите съдове се съхраняват тук.
- **Чекмедже за свежи зеленчуци (\*)**
  - Плодовете и пресните зеленчуци се съхраняват тук, за да се запази свежестта им чрез регулиране на контролера за влажността.
  - Външният вид или компонентите на уреда може да се различават според модела.
- **Конвертор за пресни продукти (\*)**
  - Като охлаждащо отделение, тук се съхраняват месо, риба и зеленчуци. За по-добро запазване на свежестта им, регулирайте контролера на влажността, намиращ се в задната част на отделениято на хладилника.
  - За повече пространство можете да използвате охлаждащата зона без чекмеджето на охлаждащото отделение.
- **Подвижна поставка за яйца**
  - Яйцата се съхраняват тук.
  - Можете да я премествате и използвате в желано положение, както е необходимо. Не я използвайте обаче като кошничка за лед и не я поставяйте върху рафта в горната част на хладилника или чекмеджето за зеленчуците.

- **Кошница на вратата на хладилника**

- Малките пакетчета с охладени храни, напитки и съдове със сосове се съхраняват тук.

- **Резервоар с диспенсер за вода (\*)**

- Тук се съхранява водата за снабдяване на диспенсера или автоматичния ледогенератор. Той се пълни ръчно. (Само за модели, които не са свързани към водопроводната инсталация)

### Съхранение на храни в отделениято за дълбоко замразяване

- **Табличка за лед**

- Това е мястото, където се произвежда и съхранява лед.
- За повече пространство, можете да извадите табличката за лед или кошничката за кубчетата лед.

- **Чекмедже на камерата**

- Това е мястото за продължително съхранение на замразени артикули.
- За да замразите бързо хранителни продукти, съхранявайте храната в лявата страна на най-горното чекмедже. Хранителните продукти ще замръзнат най-бързо в чекмеджето.

## ВНИМАНИЕ

- (\*) : Тази функция варира в зависимост от закупения модел.
- За повече информация относно други отделения, посетете [lg.com](http://lg.com) и изтеглете ръководствата за потребителя.

## Контролен панел

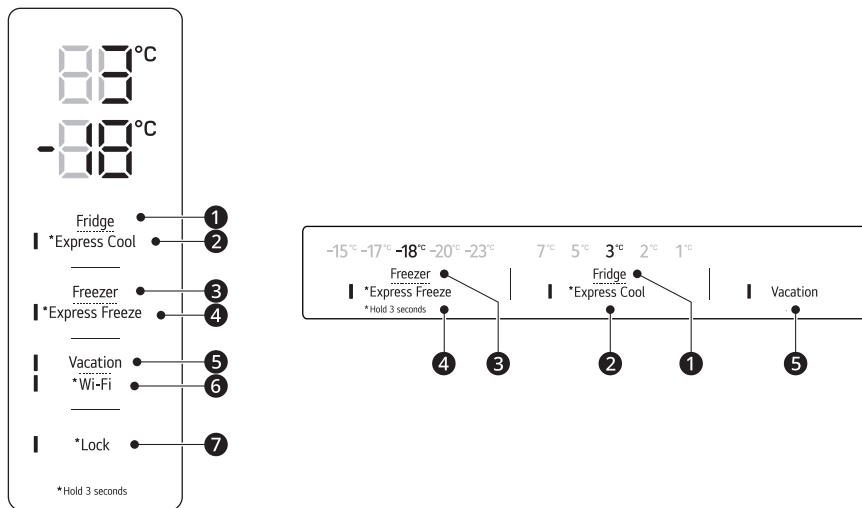
Действителният контролен панел може да се различава според модела.

### Контролен панел и функции

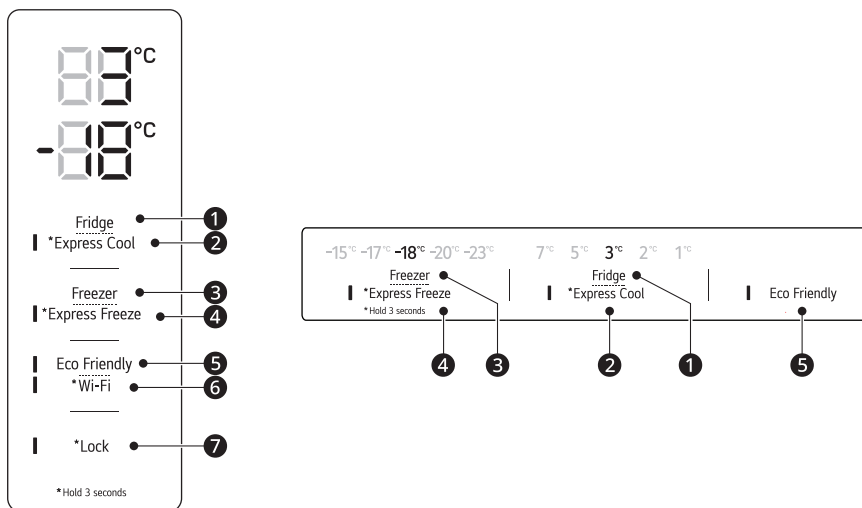
\*1 Тази характеристика е налична само в някои модели.

Контролният панел се намира на вратата на хладилника или вътре в хладилника в зависимост от модела.

#### Тип А



#### Тип В



**1 Fridge**

Натиснете този бутон няколко пъти, за да изберете желаната температура между 1 °C и 7 °C.

- Температурата на хладилника по подразбиране е 3 °C.

**2 Express Cool**

Тази функция може бързо да охладя голямо количество храна като зеленчуци, плодове и т.н.

- Всеки път, когато натиснете бутона за 3 секунди, тази функция се включва или изключва.

**3 Freezer**

Натиснете този бутон няколко пъти, за да изберете желаната температура между -15 °C и -23 °C.

- Температурата на фризера по подразбиране е -18 °C.

**4 Express Freeze**

Тази функция може бързо да генерира голямо количество лед или да замрази храна.

- Натиснете бутона **Express Freeze**, за да активирате функцията за 24 часа. Функцията автоматично се изключва след 24 часа.
- Всеки път, когато натиснете бутона за 3 секунди, тази функция се включва или изключва.
- Когато този режим е включен, може да се появи шум и да се увеличи разходът на енергия.

**5 Vacation**

Тази функция е полезна, когато сте на почивка. Когато тази функция е включена, температурата на хладилника е 7°C, а температурата на фризера е -15°C. Когато тази функция е изключена, температурата на хладилника и фризера се връщат на предишните настройки на температурата.

- Всеки път, когато натиснете бутона, тази функция се включва или изключва.
- Когато е включен този режим, другите бутони, с изключение на **Lock** и **Wi-Fi** няма да функционират.
- **Eco Friendly** е преименувана на **Vacation**.

**⚠ ВНИМАНИЕ**

- Когато тази функция е включена, внимавайте да съхранявате храни, които изискват по-ниска температура от температурата по подразбиране.
- Когато се върнете у дома, не забравяйте да изключите тази функция, за да отключите другите бутони и да върнете хладилника към предишните му температурни настройки.

**6 Wi-Fi\*1**

Този бутон позволява да се включи уредът към домашна Wi-Fi мрежа. Вижте „**SMART FUNCTIONS**” за информация относно първоначалната настройка на приложението на **LG ThinQ**.

**7 Lock\*1**

Оттук се заключват бутоните на контролния панел.

- За да заключите бутоните на контролния панел, натиснете и задръжте бутона **Lock** за 3 секунди докато функцията се активира.
- За да изключите функцията, натиснете и задръжте бутона **Lock** за 3 секунди, докато функцията се деактивира.

**ЗАБЕЛЕЖКА**

- За оптимално запазване на храната се препоръчва увеличаване или намаляване с 1°C или една степен спрямо температурата по подразбиране за всяко отделение.
- Показаната температура е целевата температура, а не действителната температура вътре в уреда.
- Действителната температура в уреда зависи от следните фактори: стайна температура, количеството храна и честотата на отваряне на вратите, къде е уредът. Задайте температурите, като вземете предвид тези фактори.
- Контролният панел ще се изключи автоматично с цел пестене на енергия.
- Ако докоснете с пръст или друга открита част от тялото си контролния панел при почистване, функцията на съответния бутон може да се задейства.



## Приложението LG ThinQ

Тази характеристика е налична само в модели с Wi-Fi.

Приложението **LG ThinQ** Ви позволява да комуникирате с уреда посредством смартфон.

## Характеристики на приложението на LG ThinQ

Комуничайте с уреда от смартфон с помощта на удобните умни характеристики.

### Smart Diagnosis

- Ако възникне проблем докато използвате приложението, тази характеристика за умна диагностика (smart diagnosis) ще ви помогне да диагностицирате проблема.

### Настройки

- Дава ви възможност за задаване на различни опции в уреда и в приложението.

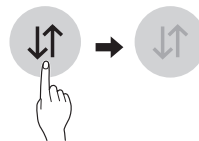
### ЗАБЕЛЕЖКА

- Ако смените своя безжичен рутер, доставчик на интернет или парола, изтрийте регистрирания уред от приложението **LG ThinQ** и го регистрирайте отново.
- Приложението е предмет на промени с цел подобряване на уреда, без предварително уведомяване на потребителите.
- Функциите може да са различни при различните модели.

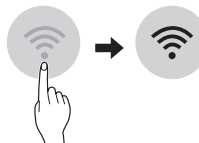
## Преди да използвате приложението LG ThinQ

- 1 Проверете разстоянието между уреда и безжичния рутер (Wi-Fi мрежа).
  - Ако разстоянието между уреда и безжичния рутер е твърде голямо, силата на сигнала отслабва. Може да отнеме много време за регистрация или инсталацията да е неуспешна.

- 2 Изключете **Мобилни данни** или **Клетъчни данни** върху смартфона си.



- 3 Свържете телефона си с безжичния рутер.



### ЗАБЕЛЕЖКА

- За да проверите Wi-Fi връзката, вижте дали иконката  на контролния панел свети.
- Уредът поддържа само 2,4 GHz Wi-Fi мрежи. За да проверите честотата на мрежата си, свържете се с доставчика си на интернет или проверете в ръководството за експлоатация на безжичния рутер.
- **LG ThinQ** не носи отговорност за проблеми в свързаността или за повреди, неизправности или грешки, причинени от мрежовата връзка.
- Ако уредът изпитва трудности при осъществяването на връзка с Wi-Fi мрежата, може би е твърде далече от рутера. Купете Wi-Fi повторител (усилвател на обхвата), за да подобрите силата на Wi-Fi сигнала.
- Wi-Fi връзката може да не се осъществи или да бъде прекъсвана поради средата, в която е домашната мрежа.
- Мрежовата връзка може да не работи правилно поради доставчика на интернет.
- Обкръжаващата безжична среда може да причини забавяне в безжичната мрежа.
- Уредът не може да бъде регистриран поради проблеми с предаването на безжичния сигнал. Изключете захранването на уреда и изчакайте около една минута, преди да пробвате отново.
- Ако защитната стена на Вашия безжичен рутер е включена, деактивирайте я или добавете изключение към нея.


- Името на безжичната мрежа (SSID) трябва да бъде комбинация от цифри и английски букви. (Не използвайте специални символи.)
- Потребителският интерфейс (UI) на смартфона може да е различен в зависимост от мобилната операционна система (OS) и производителя.
- Ако протоколът за защита на рутера е настроен на **WEP**, възможно е да не можете да настроите мрежата. Моля, променете настройката на други протоколи за защита (препоръчва се **WPA2**) и регистрирайте продукта отново.

## Инсталиране на приложението LG ThinQ

Потърсете приложението **LG ThinQ** от Google Play & Apple App Магазин на Вашия смартфон.

- Следвайте инструкциите, за да изтеглите и инсталирате приложението.

## Свързване към Wi-Fi

Бутонът **Wi-Fi**, когато се използва заедно с приложението **LG ThinQ**, позволява на уреда да се свърже с домашна Wi-Fi мрежа. Иконата  показва статуса на свързаност на уреда към мрежата. Иконата е осветена, когато уредът е свързан с Wi-Fi мрежата.

### Първоначална регистрация на уреда

- Стартирайте приложението **LG ThinQ** и следвайте инструкциите, за да регистрирате уреда.

### Повторно регистриране на уреда или на друг потребител

- Натиснете и задръжте **Wi-Fi** бутона за 3 секунди, за да го изключите временно. Стартирайте приложението **LG ThinQ** и следвайте указанията в приложението, за да регистрирате уреда.

## ЗАБЕЛЕЖКА

- За да изключите функцията Wi-Fi, натиснете и задръжте бутона **Wi-Fi** за 3 секунди. Иконката  ще се изключи.

## Информация за софтуер с отворен код

За да получите изходния код съгласно GPL, LGPL, MPL и други лицензи с отворен код, които имат задължения да разкриват изходния код, който се съдържа в този продукт, и за достъп до всички посочени лицензионни условия, бележки за авторски права и други съответни документи, посетете адрес: <https://opensource.lge.com>.

LG Electronics също ще Ви предостави отворен изходен код на CD-ROM срещу заплащане, покриващо разходите за извършване на такава дистрибуция (като например цената на носителите, разходите по транспорта), след като получи поръчка за това по имейл на адрес: [opensource@lge.com](mailto:opensource@lge.com).

Тази оферта е валидна за всеки, който получи тази информация за период от три години след последната пратка на този продукт.

## Забележки относно почистването

- Когато сваляте рафт или чекмедже от вътрешността на уреда, извадете цялата съхранявана храна от рафта или чекмеджето, за да предотвратите нараняване или повреда на уреда.
  - В противен случай може да се получи нараняване поради теглото на съхраняваните храни.
- Ако почиствате външните отвори за въздух на уреда с помощта на прахосмукачка, електрическият кабел трябва да се откачи от контакта, за да се избегне статичен разряд на електричество, който може да повреди електрониката или да причини електрически удар.
- Сваляте рафтовете и чекмеджетата и ги почистете с вода, след което ги изсушете добре, преди да ги поставите обратно.
- Редовно избърсвайте уплътненията на вратата с мокра мека кърпа.
- Петната и разливанията по кошницата за врата трябва да се почистват, тъй като те нарушават способността за съхранение на кошницата и могат дори да я повредят.
- След като почистите, проверете дали захранващият кабел не е повреден, дали не е топъл или неправилно включен.
- Поддържайте чисти отворите за въздух от външната страна на уреда.
  - Запушени отвори за въздух могат да причинят пожар или повреда на уреда.
- Когато почиствате уреда отвътре или отвън, не го избърсвайте с груба четка, паста за зъби или запалими вещества. Не използвайте почистващи препарати, съдържащи запалими вещества.
  - Това може да причини обезцветяване или повреда на уреда.
  - Запалими вещества: алкохол (етанол, метанол, изопропил алкохол, изобутил алкохол и т.н.), разреждател, белина, бензол, запалими течности, абразиви и др.т.
- За външната част на уреда използвайте чиста гъба или мека кърпа и мек почистващ препарат, разреден с топла вода. Не използвайте абразивни или груби почистващи средства. Подсушете добре с мека кърпа.
- Никога не почиствайте рафтовете или съдовете в миялна машина.
  - Частите могат да се деформират поради топлината.
- Почиствайте редовно повърхности, които може да влязат в контакт с храна и с достъпните системи за дренаж.
- Ако уредът е снабден с LED лампа, не сваляйте капака на LED лампата и самата лампа в опит да я ремонтирате или обслужите. Свържете се с центъра за информация за клиенти на LG Electronics.

## Изхвърляне на стария уред



- Символът със зачертаня контейнер показва, че отпадъците от електрическите и електронните продукти (WEEE) трябва да се изхвърлят отделно от битовите отпадъци.
- Старите електрически продукти могат да съдържат опасни вещества и правилното изхвърляне на Вашия уред ще помогне за предотвратяване на негативните последствия за околната среда и човешкото здраве. Вашият стар уред може да съдържа части за многократна употреба, които биха могли да бъдат използвани за ремонт на други продукти, както и други ценни материали, които могат да бъдат рециклирани с цел запазване на ограничените ресурси.
- Можете да занесете Вашия уред или в магазина, от който сте го закупили или можете да се свържете с местния държавен офис за отпадъците, за да получите информация за най-близкия РАЗРЕШЕН WEEE пункт за събиране на отпадъци. За най-актуална информация от Вашата държава, моля, погледнете тук: [www.lg.com/global/recycling](http://www.lg.com/global/recycling)

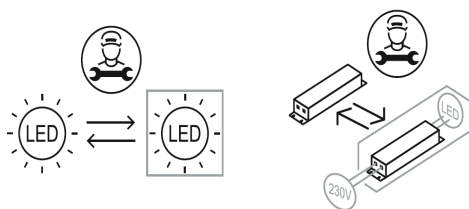
## Сервиз и обслужване на клиенти

Свържете се с информационен център за клиенти на LG Electronics.

- За да намерите информация за оторизиран сервизен център на LG, посетете нашия уеб сайт на адрес: [www.lg.com](http://www.lg.com).
- Само квалифициран сервизен персонал от оторизиран сервизен център на LG трябва да разглобява, ремонтира или модифицира уреда.
- Минималният гаранционен срок на този хладилен уред е 24 месеца.
- За да закупите резервни части, свържете се с информационен център за клиенти на LG Electronics или с нашия уеб сайт на адрес: [www.lg.com](http://www.lg.com).
- Резервните части, посочени в Регламент ЕС 2019/2019, се предлагат за 7 години (само уплътненията на вратите се предлагат за 10 години).

## ЗАБЕЛЕЖКА

- За повече информация относно енергийната ефективност на уреда посетете <https://ec.europa.eu> и търсете, като използвате името на модела (валидно от 1 март 2021 г.).
- Регламент ЕС 2019/2019, валиден от 1 март 2021 г., е свързан с класовете за енергийна ефективност чрез Регламент ЕС 2019/2016.
- Сканирайте QR кода от енергийния етикет, доставен с уреда, който предоставя уеб връзка към информацията, свързана с работата на уреда в базата данни на EU EPREL. Съхранявайте енергийния етикет за справка и всички други документи, доставени с уреда (валидно от 1 март 2021 г.).
- Името на модела може да бъде намерено на етикета с данни на уреда.
- Този продукт съдържа източник на светлина от клас на енергийна ефективност G.





PŘÍRUČKA UŽIVATELE

# CHLADNIČKA S MRAZNIČKOU

**Přečtete si prosím pečlivě tuto příručku uživatele před uvedením přístroje do provozu a vždy ji mějte po ruce, abyste do ní později mohli nahlédnout.**

[www.lg.com](http://www.lg.com)

Pro více informací navštivte web LG, kde naleznete uživatelský manuál.  
Copyright © 2019-2023 LGElectronics Inc. Všechna práva vyhrazena

# OBSAH

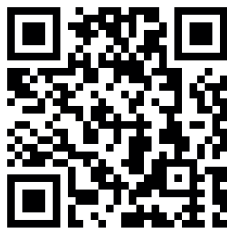
Tato příručka může zahrnovat vyobrazení nebo obsah, které se liší od vámi zakoupeného typu.

Tato příručka podléhá revizím ze strany výrobce.

<b>BEZPEČNOSTNÍ POKYNY .....</b>	<b>3</b>
DŮLEŽITÉ BEZPEČNOSTNÍ POKYNY .....	3
<b>INSTALACE .....</b>	<b>10</b>
Rozměry a odstupy.....	10
Okolní teplota .....	10
<b>OBSLUHA .....</b>	<b>11</b>
Pokyny pro obsluhu .....	11
Zásuvka Fresh Converter ( * ) .....	12
Zásuvka Fresh Balancer ( * ).....	12
Ovládací panel.....	14
<b>INTELIGENTNÍ FUNKCE .....</b>	<b>16</b>
Aplikace LG ThinQ .....	16
<b>ÚDRŽBA.....</b>	<b>18</b>
Pokyny pro čištění .....	18
Likvidace starého přístroje.....	18
<b>ODSTRAŇOVÁNÍ ZÁVAD.....</b>	<b>19</b>

## Další informace o návodu

Toto je zkrácená verze Uživatelského manuálu.  
Více informací naleznete na webové stránce LG  
na adrese <http://www.lg.com>




## Odstraňování závad



Následující bezpečnostní pokyny jsou určeny pro předcházení nepředvídaným nebezpečím, poškozením nebo nesprávné obsluze zařízení.

Pokyny jsou rozděleny na „VAROVÁNÍ” a „UPOZORNĚNÍ”, viz podrobný popis níže.

 Tento symbol označuje události a obsluhu, které mohou mít za následek vznik rizika. Podrobně si přečtěte text označený tímto symbolem a postupujte podle pokynů, abyste předešli vzniku rizika.

## VAROVÁNÍ

Tento symbol označuje situace, kdy může mít nedodržení pokynů za následek závažné zranění nebo usmrcení osob.

## UPOZORNĚNÍ

Tento symbol označuje situace, kdy může mít nedodržení pokynů za následek lehké zranění nebo poškození zařízení.

## DŮLEŽITÉ BEZPEČNOSTNÍ POKYNY

### VAROVÁNÍ

Abyste při používání tohoto výrobku snížili riziko vzniku požáru, úmrtí, zasažení elektrickým proudem nebo zranění či popálení osob, dodržujte základní bezpečnostní opatření, včetně následujících:

#### Děti v domácnosti

- Toto zařízení není určeno pro používání osobami (včetně dětí) se sníženými fyzickými, sensorickými nebo mentálními schopnostmi nebo nedostatečnými zkušenostmi a znalostmi bez přiměřeného dozoru nebo bez seznámení s pokyny pro používání zařízení osobou odpovědnou za jejich bezpečnost. Je nutné zajistit, aby si děti s přístrojem nehrály.
- Pokud je přístroj vybaven zámkem (pouze u některých modelů), uchovávejte klíč mimo dosah dětí.

### **Pro používání v Evropě:**

- Toto zařízení mohou děti starší 8 let a osoby se sníženými fyzickými, sensorickými nebo mentálními schopnostmi nebo nedostatečnými zkušenostmi a znalostmi používat pod přiměřeným dozorem nebo pokud byly obeznámeny s pokyny pro bezpečné používání zařízení a porozuměly možným nebezpečím. Dohlížejte na děti, aby si s přístrojem nehrály. Děti nesmí bez dozoru provádět čištění a uživatelskou údržbu.
- Děti ve věku od 3 do 8 let mohou do chladicích spotřebičů věci ukládat a vykládat je ven.

### **Instalace**

- Toto zařízení by mělo být přepravováno dvěma nebo více osobami, které jej bezpečně drží.
- Zajistěte, že je zásuvka řádně uzemněna a že není zemnicí kolík na síťovém kabelu poškozen nebo demontován. Pro další podrobnosti o uzemnění se obraťte na informační středisko pro zákazníky společnosti LG Electronics.
- Tento spotřebič je vybaven síťovým kabelem se zemnicím vodičem a ochranným kolíkem. Zástrčka musí být připojena do vhodné zásuvky, která je nainstalována a uzemněna v souladu s veškerými místními zákony a předpisy.
- Pokud je napájecí kabel poškozen nebo je otvor elektrické zásuvky uvolněný, zástrčku nepoužívejte a obraťte se na autorizované servisní středisko.
- Nezapínejte spotřebič do adaptéru s více zástrčkami, který nemá napájecí kabel (připojený).
- Napájecí kabel neměňte ani neprodlužujte.
- Přístroj by měl být připojen k vyhrazenému elektrickému vedení, které je vybaveno samostatnými pojistkami.
- Nepoužívejte vícenásobnou zásuvku, která není řádně uzemněna (přenosnou). Pokud používáte správně uzemněné vícenásobné zásuvky (přenosné), použijte zásuvku s hodnotou napájecího kabelu nebo vyšší a tuto zásuvku použijte pouze pro tento spotřebič.
- Zařízení instalujte na místě, kde lze snadno odpojit zástrčku zařízení.
- Zamezte zapojení zástrčky s kabelem směřujícím nahoru nebo naklánění zařízení na síťovou zástrčku.
- Spotřebič usadte na pevné a rovné podlaze.



- Zařízení neinstalujte ve vlhkém a prašném prostředí. Zařízení neinstalujte ani neskladujte v exteriéru nebo na jakémkoliv místě, které může být vystaveno povětrnostním vlivům, např. přímému slunečnímu světlu, větru, dešti nebo teplotám pod bodem mrazu.
- Zařízení neumísťujte na přímé sluneční světlo, ani jej nevystavujte horku z topných spotřebičů, jako jsou kamna nebo topná tělesa.
- Při instalaci se vyvarujte odkrývání zadní strany zařízení.
- Při montáži nebo demontáži zamezte pádu dveří zařízení.
- Při montáži nebo demontáži dveří zařízení se vyvarujte přišťipnutí, rozdrčení nebo poškození kabelu.
- Do zásuvky nepřipojujte zásuvný adaptér ani jiné příslušenství.

## Obsluha

- Zařízení nepoužívejte pro jiné účely, než je skladování potravin v domácnosti (uchovávání lékařského nebo experimentálního materiálu nebo použití v dopravě).
- Při vážné bouřce, blýskání, nebo pokud není zařízení delší dobu používáno, zástrčku vytáhněte.
- Nedotýkejte se zástrčky ani ovládacích prvků zařízení vlhkýma rukama.
- Napájecí kabel nadměrně neohýbejte ani na něj nepokládejte těžké předměty.
- Pokud voda pronikne do elektrických součástí zařízení, odpojte síťový kabel a obraťte se na informační středisko pro zákazníky společnosti LG Electronics.
- Nevkládejte ruce ani kovové předměty do prostoru tvorby chladného vzduchu, na kryt ani chladicí mřížku na zadní straně.
- Na zadní stěnu zařízení nadměrně netlačte a chraňte ji před nárazy.
- Nevkládejte do zařízení zvířata, např. domácí mazlíčky.
- Při otevírání nebo zavírání dveří zařízení dávejte pozor na přítomnost dětí. Dveře mohou dítě udeřit a způsobit tak zranění. Nedovolte žádným osobám věšet se na kterékoli dveře, protože by se spotřebič mohl převrátit a způsobit vážné zranění.
- Zamezte nebezpečí uvěznění dětí uvnitř zařízení. Mohlo by dojít k jejich udušení uvnitř zařízení.
- Nedávejte na spotřebič těžké nebo křehké předměty, nádoby naplněné kapalinami, hořlavými látkami (např. svíčky, lampy atd.) nebo topná zařízení (např. sporáky, topná tělesa atd.).

- Pokud dojde k úniku plynu (izobutan, propan, zemní plyn atd.), nedotýkejte se zařízení ani zástrčky a ihned místnost vyvětrejte. Toto zařízení používá chladicí plyn (izobutan R600a). I když je použito velmi malé množství plynu, stále se jedná o hořlavý plyn. Únik plynu během přepravy, instalace nebo provozu zařízení a současný výskyt jisker může mít za následek vznik požáru, výbuchu nebo zranění osob.
- V blízkosti zařízení nepoužívejte ani neskladujte zápalné nebo hořlavé látky (éter, benzen, alkohol, chemikálie, LPG, hořlavé spreje, insekticidy, osvěžovače vzduchu, kosmetiku atd.).
- Pokud zaznamenáte, že zařízení vydává jakýkoliv podivný zvuk, zápach nebo kouř, ihned odpojte elektrickou zástrčku a obraťte se na informační středisko pro zákazníky společnosti LG Electronics.
- Pitnou vodu nalévejte pouze do výrobníku ledu nebo nádrže dávkovače vody.
- Nepoškozujte chladicí okruh.
- Do zařízení nevkládejte žádné elektrické spotřebiče (jako např. topné těleso nebo mobilní telefon).

## Údržba

- Před čištěním zařízení nebo výměnou vnitřní žárovky (je-li nainstalována) odpojte síťový kabel.
- Po úplném odstranění vlhkosti a prachu bezpečně zapojte elektrickou zástrčku do zásuvky.
- Nikdy nevypojujte spotřebič tahem za síťový kabel. Vždy pevně uchopte elektrickou zástrčku a vytáhněte ji přímo ze zásuvky.
- Při čištění spotřebiče na jeho vnitřní i vnější povrch nenanášejte hořlavé látky (zubní pastu, alkohol, ředidlo, benzen, hořlavé kapaliny, brusné látky atd.).
- Zařízení nečistěte pomocí kartáčů, hadříků nebo houbiček s hrubým povrchem nebo z kovových materiálů.
- Demontáž, opravy nebo jiné úpravy zařízení může provádět pouze kvalifikovaný personál servisního střediska společnosti LG Electronics. Pokud přemísťujete a instalujete zařízení na jiné místo, obraťte se na informační středisko pro zákazníky společnosti LG Electronics.
- Pro vysoušení vnitřního prostoru nepoužívejte vysoušeč vlasů ani neumísťujte do zařízení svíčku pro odstranění zápachu.
- Pro urychlení procesu odmrazování nepoužívejte mechanická zařízení ani jiné prostředky.

## **Likvidace**

- Při likvidaci zařízení demontujte těsnění dveří, police a koše ponechte na místě a zařízení udržujte mimo dosah dětí.
- Veškeré obalové materiály (např. plastové pytle nebo polystyren) odstraňte z dosahu dětí. Obalové materiály mohou způsobit udušení.

## **Technická bezpečnost**

- Větrací otvory na plášti zařízení nebo na vlastní konstrukci zachovávejte volně přístupné.
- Elektrické spotřebiče nepoužívejte uvnitř chladničky.
- Chladicí médium a izolační plyn použité ve spotřebiči vyžadují speciální postupy pro likvidaci. Před likvidací se poraďte se servisním zástupcem nebo s podobně kvalifikovanou osobou.
- Chladicí médium, které by uniklo z poškozeného potrubí, by se mohlo vznítit nebo způsobit explozi.
- Množství chladicího média ve vašem zařízení je uvedeno na identifikačním štítku uvnitř zařízení.
- Nikdy nespouštějte do provozu zařízení, které vykazuje nějakou známku poruchy. V případě pochybností kontaktujte svého prodejce.
- Toto zařízení je určeno výhradně pro použití v domácnosti a podobném prostředí. Nesmí být používáno ke komerčním nebo pohostinským účelům nebo v mobilním zařízení, jako je karavan nebo loď.
- Neuchovávejte v tomto zařízení výbušné látky, např. spreje s hořlavou náplní.
- Tento chladicí spotřebič není určen k použití jako vestavěný spotřebič.

## Riziko požáru a hořlavých materiálů



Tento symbol upozorňuje na hořlavé materiály, které se mohou vznítit a způsobit požár v případě vaší neopatrnosti.

- Toto zařízení obsahuje sice malé množství izobutanového chladicího média (R600a), které je ale také hořlavé. Během přepravy a instalace zařízení je nutné věnovat pozornost tomu, aby nedošlo k poškození žádné části chladicího okruhu.
- Pokud zjistíte, že chladicí médium z chladicího okruhu uniká, je nutné okamžitě zabránit přítomnosti otevřeného ohně nebo jinému zdroji zážehu a několik minut větrat místnost, kde je zařízení umístěno. Aby se zabránilo vzniku zápalné směsi plynu a vzduchu v případě úniku média z chladicího okruhu, měla by volba velikosti místnosti záviset na množství použitého chladicího média v zařízení. Místnost musí být dost velká, aby na každých 8 g chladicího média R600a v zařízení připadal 1 m<sup>2</sup> podlahové plochy.
- Při umísťování spotřebiče se ujistěte, že napájecí kabel není zaseknutý nebo poškozený.
- Neumisťujte na zadní část spotřebiče vícero přenosných zásuvek nebo přenosné zdroje napájení.

## UPOZORNĚNÍ

**Abyste při používání tohoto výrobku snížili riziko lehkého zranění osob, selhání nebo poškození výrobku či škody na majetku, dodržujte základní bezpečnostní opatření, včetně následujících:**

### Instalace

- Chcete-li při přepravě zařízení táhnout nebo tlačit, nikdy jej nenaklánějte.
- Při manipulaci se spotřebičem dbejte na to, aby nedošlo k uvíznutí části těla, např. ruky nebo nohy.

### Obsluha

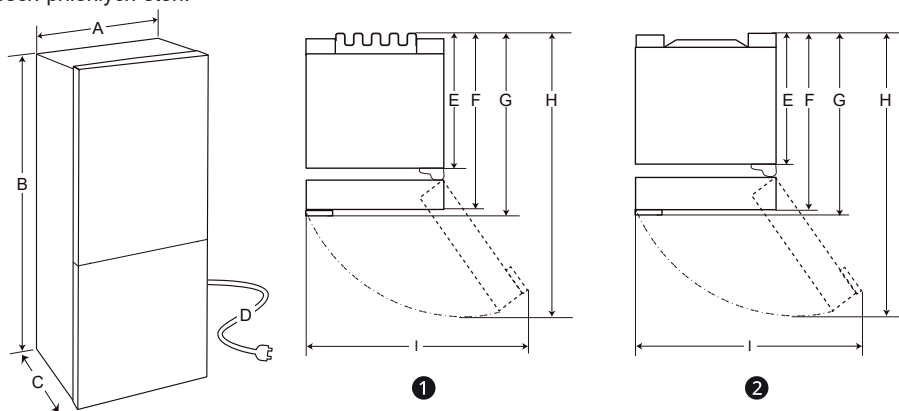
- Zmrazených potravin ani kovových součástí mrazničky se nedotýkejte mokřýma nebo vlhkýma rukama. Mohlo by dojít k omrzlinám.
- Skleněné nádoby, lahve nebo plechovky (zejména s perlivými nápoji), nevkládejte do mrazáku, polic nebo přihrádek na led, kde by byly vystaveny teplotám pod bodem mrazu.
- Tvrzené sklo v přední části dveří zařízení nebo polic může být poškozeno nárazem. Pokud dojde k prasknutí, nedotýkejte se jej rukama, neboť by mohlo dojít ke zranění.
- Nezavěšujte se na dveře zařízení nebo police ani na ně nešplhejte nebo nestoupejte.
- V koších ve dveřích neskladujte nadměrné množství lahví s vodou nebo nádob na přílohy. Koš se může rozbít nebo si můžete narazit ruku o okolní předměty a poranit si ji.
- Zabraňte zvířatům v okusování napájecího kabelu nebo vodní hadice.
- Dveře zařízení neotevírejte ani nezavírejte nadměrnou silou.
- Pokud dojde k poškození nebo nesprávné funkci závěsů dveří zařízení, přestaňte je používat a obraťte se na servisní středisko společnosti LG Electronics.
- Pokud jsou skleněné police nebo kryty studené, nemyjte je teplou vodou.
- Zmrazené potraviny nikdy nekonzumujte bezprostředně po vyjmutí z mrazničky.
- Při otevírání nebo zavírání dveří spotřebiče dbejte na to, aby nedošlo k uvíznutí ruky nebo nohy.

### Údržba

- Nepokládejte policii dnem vzhůru. Police mohou spadnout.
- V případě potřeby odstranění námrazy ze zařízení se obraťte na informační středisko pro zákazníky společnosti LG Electronics.

## Rozměry a odstupy

Příliš malá vzdálenost od okolních předmětů může mít za následek zhoršení mrazící schopnosti a zvýšení nákladů na elektrickou energii. Při instalaci spotřebiče ponechte více než 50 mm mezeru od všech přilehlých stěn.



	1		2	
	Velikost [mm]			
	Kapsovité rukojeť	Tyčová rukojeť	Kapsovité rukojeť	Tyčová rukojeť
A	595	595	595	595
B	1 860 / 2 030	1 860 / 2 030	1 860 / 2 030	1 860 / 2 030
C	682	718	675	712
D	2 100	2 100	2 100	2 100
E	616	616	610	610
F	682	682	675	675
G	-	718	-	712
H	1 230	1 237	1 225	1 232
I	995	995	995	995

### POZNÁMKA

- Rozměry ve výše uvedené tabulce jsou pouze přibližné.

## Okolní teplota

- Spotřebič je určen pro provoz při omezeném rozsahu okolních teplot v závislosti na klimatické oblasti.
- Vnitřní teploty mohou být ovlivněny umístěním spotřebiče, okolními teplotami, četností otevírání dveří a tak dále.
- Informace o klimatické třídě naleznete na typovém štítku.

Klimatická třída	Rozsah okolní teploty °C
SN (Subnormální)	+10 - +32
N (Normální)	+16 - +32
ST (Subtropická)	+16 - +38
T (Tropická)	+16 - +43 / +10 - +43*

\*Austrálie, Indie, Keňa

### POZNÁMKA

Spotřebiče označené SN až T jsou určeny k použití při okolní teplotě mezi 10 °C až 43 °C.

## Pokyny pro obsluhu

- Uživatelé by měli mít na paměti, že pokud nejsou dveře úplně zavřené, pokud je v létě vysoká vlhkost nebo pokud často dochází k otevírání dveří mrazničky, může docházet k tvorbě námrazy.
- Zajistěte dostatečný prostor mezi potravinami uloženými na polici nebo v koši ve dveřích, aby bylo možné zcela zavřít dveře.
- Otevření dveří na delší dobu může způsobit výrazné zvýšení teploty v přihrádkách spotřebiče.
- Pokud chladicí spotřebič zůstane po delší dobu prázdný, vypněte ho, odmrazte, vyčistěte, osušte a nechte dvířka otevřená, aby se zabránilo tvorbě plísní uvnitř spotřebiče.

## Doporučení pro úsporu energie

- Mezi uloženými potravinami zajistěte dostatečný prostor. Chladný vzduch tak bude moci rovnoměrně cirkulovat a náklady na elektřinu budou nižší.
- Teplé jídlo ukládejte pouze po vychladnutí. Zabráníte tak tvorbě kondenzace a námrazy.
- Při skladování potravin v oddělení mrazničky nastavte teplotu mrazničky níže, než je teplota uvedená na potravinách.
- Neukládejte potraviny příliš blízko ke snímači teploty ledničky. Od snímače zachovávejte vzdálenost nejméně 3 cm.
- Pamatujte, že nárůst teploty po odstranění námrazy má přípustný rozsah podle specifikací zařízení. Chcete-li minimalizovat dopad, který to může mít na skladování potravin v důsledku zvýšení teploty, uzavřete nebo obalte uložené potraviny několika vrstvami.
- Automatický odmrazovací systém ve spotřebiči zajišťuje, aby se za normálních provozních podmínek ve vnitřním prostoru nevytvářel led.
- Aby bylo zajištěno co nejefektivnější využití energie, ponechte všechny vnitřní části (např. dveřní přihrádky, zásuvky a police) na původním místě.
- Nenastavujte teplotu spotřebiče na nižší teplotu, než je nutné.

## Účinné uchování potravin

- Zmrazené nebo chlazené potraviny uchovávejte v nádobách s víkem.
- Před vložením potravin do zařízení zkontrolujte datum trvanlivosti a štítek (pokyny pro skladování).
- Pokud se jedná o potraviny, které se za

nízkých teplot snadno kazí, dlouhodobě je neuchovávejte.

- Chlazené nebo zmrazené potraviny vkládejte do chladničky nebo mrazničky ihned po jejich nákupu.
- Syrové maso a ryby skladujte ve vhodných nádobách v chladničce tak, aby nedocházelo ke kontaktu s jinými potravinami.
- Vyhnete se opětovnému zmrazování jakýchkoli potravin, které úplně rozmrzly. Opětovné zmrazení jakýchkoli potravin, které úplně rozmrzly, naruší jejich chuť a výživovou hodnotu.
- Zeleninu neuchovávejte zabalenou do novin. Tiskařská barva novin nebo jiné cizí látky se mohou setřít a kontaminovat potraviny.
- Nepřepínajte. Pokud je spotřebič přeplněný, není možné zajistit správnou cirkulaci studeného vzduchu.
- Pokud pro potraviny nastavíte nadměrně nízkou teplotu, mohou zmraznout úplně. Nenastavujte teplotu nižší, než je teplota požadovaná pro správné skladování potravin.
- Chcete-li více místa, můžete odstranit držák na lahve, tác na vajíčka a zásuvku konvertoru čerstvosti.
- Pokud jsou potraviny skladovány při nesprávné teplotě, mohou zmraznout nebo se zkazit.
- Nastavte chladničku na správnou teplotu pro skladované potraviny.

## Maximální mrazicí kapacita

- Funkce Express Freeze nastaví mrazák na maximum jeho mrazicí kapacity. Většinou trvá 24 hodin a automaticky se vypne.
- Pokud má být použito maximum mrazicí kapacity, musí být funkce Express Freeze zapnuta po dobu sedmi hodin před tím, než je čerstvý produkt umístěn do mrazicího prostoru.

## Zmrazení maximálního množství potravin

- Pro zajištění lepší cirkulace vzduchu vložte všechny zásuvky.
- Chcete-li uskladnit velké množství potravin, je třeba vyjmout z mrazničky všechny zásuvky a potraviny je třeba uložit přímo na polici (nebo police) mrazničky v mrazicím prostoru.

## POZNÁMKA

- Chcete-li vybrat zásuvky, nejprve vyberte potraviny ze zásuvek, a poté opatrně vytáhněte zásuvky. Pokud tak neučiníte, může dojít ke zranění nebo poškození zásuvek.

- Tvar zásuvek se může lišit, vkládejte je na správné místo.

## Nastavení teploty

Nastavení teploty chladničky a mrazničky.

- Teplotu upravte stisknutím tlačítka **Fridge** nebo **Freezer**.
- Teplotu lze nastavit.
  - Chladnička: od 1 °C do 7 °C
  - Mraznička : od -15 °C do -23 °C
- Počáteční teplota je nastavena.
  - Chladnička: 3 °C
  - Mraznička: -18 °C

Aktuální vnitřní teplota se liší podle stavu potravin, protože uvedená nastavená teplota představuje cílovou teplotu, nikoliv aktuální teplotu uvnitř zařízení.

## POZNÁMKA

- Výchozí nastavení teploty se může lišit v závislosti na zařízení.
- Aby bylo zajištěno optimální uchování potravin, doporučuje se zvýšit nebo snížit výchozí teplotu v každém prostoru o 1 °C nebo o jeden stupeň.
- Před ukládáním potravin do spotřebiče počkejte, dokud od připojení spotřebiče do elektřiny neuplynou 2 nebo 3 hodiny.
- Pro výrobu ledu v běžném klimatu by měly být teploty mrazničky nastaveny na -18 °C nebo nižší.

## Alarm vysoké teploty

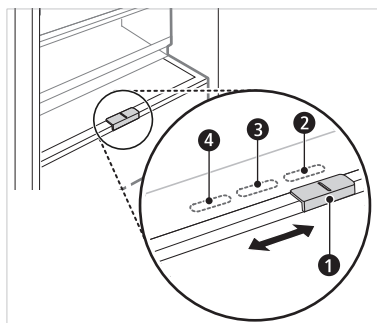
Když je teplota mrazničky příliš vysoká kvůli výpadku proudu, kontrolka LED teploty mrazničky zabliká a zazní alarm.

- Stiskněte tlačítko **Freezer** a mrazák zastavte.
- Pokud je teplota dostatečně studená, blikání a alarm automaticky přestanou.
- Tato funkce je v provozu, když:
  - Při zapnutí ledničky.
  - Když se oddíl mrazáku příliš ohřeje.
  - Když nastane výpadek proudu, který trvá dlouhou dobu.
  - Když je do oddílu mrazáku umístěno velké množství teplého jídla.
  - Když jsou dvířka mrazáku ponechána otevřená příliš dlouho nebo se otvírají příliš často.

## Zásuvka Fresh Converter ( \* )

V zásuvce Fresh Converter lze teplotu

ovládat pomocí obousměrné posuvné páčky **1**, která se nachází před oddílem. Při uchování zeleniny po nastavení funkce Ryby a maso může dojít k poškození mrazem.



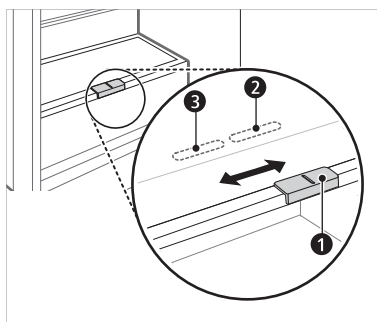
- ② Pro skladování zeleniny. (Doporučeno)
- ③ Pro skladování ryb.
- ④ Pro skladování masa.

## POZNÁMKA

- ( \* ) : Tato funkce se liší v závislosti na zakoupeném modelu.

## Zásuvka Fresh Balancer ( \* )

U zásuvky na zeleninu Fresh Converter lze vlhkost nastavit pohybem knoflíku **1**.



- ② Pro skladování zeleniny. (Doporučeno)
- ③ Pro skladování ovoce.

## POZNÁMKA

- ( \* ) : Tato funkce se liší v závislosti na zakoupeném modelu.



## Příhrádky pro skladování potravin

### Skladování potravin v části chladničky

- **Police chladničky**
  - Uchovávání potravin a jiných výrobků.
  - Výšku police lze upravit vložením police do jiné drážky v jiné výšce.
  - Potravin s vyšším obsahem vlhkosti skladujte v přední části police.
  - Skutečný počet polic se v závislosti na typu chladničky liší.
- **Stojan na lahve (\*)**
  - Zde jsou skladovány vysoké lahve s pitím nebo nádoby.
- **Sklopná police (\*)**
  - Zde jsou uchovávány potraviny a vysoké výrobky.
- **Zásuvka Fresh Balancer (\*)**
  - Zde je skladováno ovoce a zelenina, aby byla uchována jejich čerstvost pomocí nastavení regulátoru vlhkosti.
  - The appearance or components of the appliance may differ from model to model.
- **Konvertor Fresh Converter (\*)**
  - Jelikož se jedná o chladicí oddělení, může zde být uloženo maso, ryby a zelenina. Pomáhá udržet čerstvost nastavením regulátoru teploty.
  - Potřebujete-li více místa, můžete použít chladicí prostor bez zásuvky chladicího oddělení.
- **Držák na vajíčka**
  - Zde jsou skladována vejce.
  - Můžete jej přesunout a podle potřeby ho použít na požadované pozici. Nicméně nepoužívejte ho jako nádobku na led ani ho neumísťujte na police na horní části chladničky nebo v zásuvkách.
- **Příhrádka ve dveřích chladničky**
  - Uchovávání menších balených potravin, nápojů nebo omáček.

- **Nádržka dávkovače vody (\*)**

- Zde je skladována voda k zásobení dávkovače nebo automatického výrobníku ledu. V yžaduje ruční plnění. (Pouze u nezapojených modelů)

### Skladování potravin v části mrazničky

- **Forma na led**
  - Zde se vyrábí a uchovává led.
  - Chcete-li mít více místa, můžete odstranit formu na led nebo zásobník na ledové kostky.
- **Zásuvky mrazničky**
  - Dlouhodobé uchovávání mražených potravin.
  - Potravin pro rychlé zmrazení uskladněte na levé straně horní zásuvky. V této zásuvce budou potraviny zmrazeny co nejrychleji.

### POZNÁMKA

- (\*) : Tato funkce se liší v závislosti na zakoupeném modelu.
- Více informací o jiných příhrádkách najdete na stránce lg.com, pokud si stáhnete návody pro majitele.

## Ovládací panel

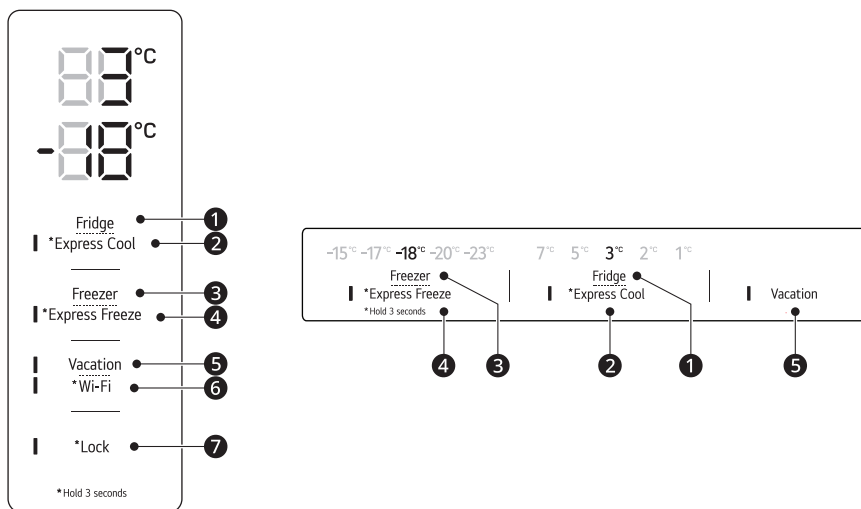
Skutečný vzhled ovládacího panelu se může v závislosti na typu lišit.

### Ovládací panel a funkce

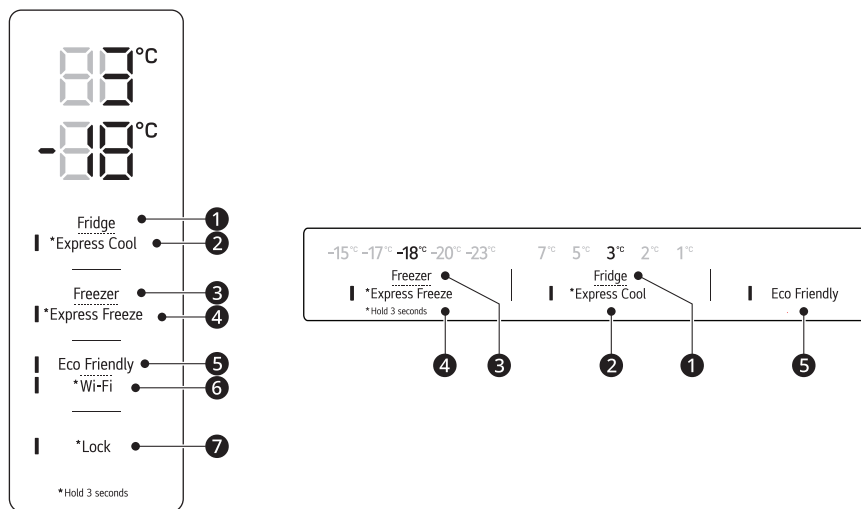
\*1 Je dostupné pouze u některých modelů.

Ovládací panel najdete v závislosti na modelu na dveřích chladničky nebo uvnitř chladničky.

Typ A



Typ B



**1 Fridge**

Opakovaným stiskem tohoto tlačítka vyberte požadovanou teplotu mezi 1 °C a 7 °C.

- Výchozí teplota chladničky je 3 °C.

**2 Express Cool**

Tato funkce umí rychle zchladit velké množství potravin jako například zeleninu, ovoce a tak dále.

- Tuto funkci lze aktivovat nebo deaktivovat dalším stisknutím tlačítka na 3 sekundy.

**3 Freezer**

Opakovaným stiskem tohoto tlačítka vyberte požadovanou teplotu mezi -15 °C a -23 °C.

- Výchozí teplota mrazničky je -18 °C.

**4 Express Freeze**

Tato funkce napomáhá rychle vyrobit velké množství ledu nebo rychle zmrazit potraviny.

- Stisknutím tlačítka **Express Freeze** provedete aktivaci funkce na 24 hodin. Funkce se automaticky vypne po 24 hodinách.
- Tuto funkci lze aktivovat nebo deaktivovat dalším stisknutím tlačítka na 3 sekundy.
- Když je zapnutý tento režim, může to způsobit hluk a zvýšit spotřebu energie.

**5 Vacation**

Tato funkce je užitečná, když jste na dovolené. Když je tato funkce zapnutá, je teplota v chladničce 7 °C a teplota v mrazničce -15 °C. Když je tato funkce vypnutá, teplota chladničky a mrazničky se vrátí na předchozí nastavení teploty.

- Tuto funkci lze aktivovat nebo deaktivovat dalším stisknutím tlačítka.
- Pokud je tento režim zapnutý, nebudou fungovat jiná tlačítka než **Lock** a **Wi-Fi**.
- **Eco Friendly** bylo přejmenováno na **Vacation**.

**⚠ UPOZORNĚNÍ**

- Když je tato funkce zapnutá, buďte opatrní při skladování potravin, které vyžadují nižší teplotu, než je standardní teplota.
- Po návratu domů nezapomeňte tuto funkci vypnout, aby se odblokovala ostatní tlačítka a chladnička se vrátila k předchozímu nastavení teploty.

**6 Wi-Fi<sup>\*1</sup>**

Toto tlačítko umožňuje spotřebiči připojit se k domácí síti Wi-Fi. Informace o úvodním nastavení systému Windows naleznete v části **SMART FUNCTIONS** v aplikaci **LG ThinQ**.

**7 Lock<sup>\*1</sup>**

Takto zamknete tlačítka na ovládacím panelu.

- Chcete-li uzamknout tlačítka ovládacího panelu, stiskněte a podržte tlačítko **Lock** na 3 sekundy, dokud se funkce neaktivuje.
- Chcete-li funkci deaktivovat, stiskněte a podržte tlačítko **Lock** na 3 sekundy, dokud se funkce nedeaktivuje.

**POZNÁMKA**

- Aby bylo zajištěno optimální uchování potravin, doporučuje se zvýšit nebo snížit výchozí teplotu v každém prostoru o 1 °C nebo o jeden stupeň.
- Zobrazená teplota je cílová teplota, nikoli aktuální teplota uvnitř spotřebiče.
- Aktuální teplota uvnitř spotřebiče závisí na následujících faktorech: teplota v místnosti, množství potravin a četnost otevírání dveří v místě, kde je spotřebič. Nastavte teploty se zvážením těchto faktorů.
- Ovládací panel se automaticky vypne, aby šetřil spotřebu energie.
- Pokud se dotknete ovládacího panelu prstem nebo pokožkou při jeho čištění, může se spustit funkce příslušného tlačítka.

## Aplikace LG ThinQ

Tato funkce je k dispozici pouze u modelů s Wi-Fi.

Aplikace **LG ThinQ** vám umožňuje komunikovat se spotřebičem pomocí smartphonu.

### Funkce aplikace LG ThinQ

Se spotřebičem komunikujte pomocí smartphonu a použijte příslušných chytrých funkcí.

#### Smart Diagnosis

- Pokud se při používání spotřebiče setkáte s problémem, funkce inteligentní diagnostiky vám pomůže diagnostikovat problém.

#### Nastavení

- Umožňuje nastavit různé možnosti na spotřebiči a v aplikaci.

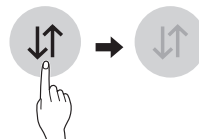
#### POZNÁMKA

- Pokud změníte svůj bezdrátový router, poskytovatele internetových služeb nebo heslo, smažte registrovaný spotřebič z aplikace **LG ThinQ** a registrujte ho znovu.
- Aplikace podléhá změnám za účelem zlepšení jejích funkcí bez předchozího upozornění pro uživatele.
- Funkce se mohou lišit v závislosti na modelu.

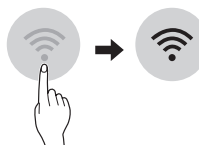
### Před použitím aplikace LG ThinQ

- 1 Zkontrolujte vzdálenost mezi zařízením a WiFi routerem (WiFi síť).
  - Pokud jsou přístroj a bezdrátový router od sebe příliš daleko, síla signálu slabne. Registrace může trvat dlouho nebo může selhat instalace.


- 2 Vypněte **Mobilní data** nebo **Data** na svém smartphonu.



- 3 Připojte smartphone k bezdrátovému routeru.



#### POZNÁMKA

- Chcete-li ověřit připojení Wi-Fi, zkontrolujte, zda na ovládacím panelu svítí ikona .
- Zařízení podporuje pouze WiFi síť o frekvenci 2,4 GHz. Pokud si chcete ověřit frekvenci své sítě, kontaktujte poskytovatele internetových služeb nebo nahlédněte do návodu k vašemu WiFi routeru.
- Aplikace **LG ThinQ** není odpovědná za žádné potíže se síťovým připojením ani za případné poruchy, závady nebo chyby způsobené síťovým připojením.
- Pokud má přístroj potíže s připojením k síti Wi-Fi, může být příliš daleko od routeru. Sílu signálu Wi-Fi zlepšíte zakoupením Wi-Fi extenderu (prodlužovače dosahu).
- Připojení Wi-Fi nemusí fungovat nebo může být přerušeno z důvodu prostředí domácí sítě.
- Síťové připojení nemusí fungovat správně v závislosti na poskytovateli internetových služeb.
- Okolní bezdrátové prostředí může zpomalit služby bezdrátové sítě.
- Přístroj nemusí být zaregistrován v důsledku problémů s přenosem bezdrátového signálu. Odpojte přístroj ze sítě, počkejte asi minutu a zkuste to znovu.
- Pokud je na vašem bezdrátovém routeru povolena firewall brána, zakažte ji nebo přidejte výjimku.
- Název bezdrátové sítě (SSID) musí být kombinace anglických písmen a čísel (nepoužívejte speciální znaky).

- Uživatelské rozhraní (UI) smartphonu se může lišit v závislosti na operačním systému (OS) a výrobci.
- Je-li bezpečnostní protokol routeru nastaven na hodnotu **WEP**, nemusí se vám podařit nastavit síť. Změňte ho na jiné bezpečnostní protokoly (doporučujeme **WPA2**) a znovu výrobek zaregistrujte.

## Instalování aplikace LG ThinQ

Na chytrém telefonu přejděte do obchodu Google Play Store & Apple App Store a vyhledejte aplikaci **LG ThinQ**.

- Podle pokynů si aplikaci stáhněte a nainstalujte.

## Připojení k Wi-Fi

Když je tlačítko **Wi-Fi** použito s aplikací **LG ThinQ**, umožňuje spotřebiči připojení k domácí síti Wi-Fi. Ikona  zobrazuje stav síťového připojení spotřebiče. Když je spotřebič připojen k síti Wi-Fi, ikona svítí.


### Úvodní registrace spotřebiče

- Spusťte aplikaci **LG ThinQ** a podle jejích pokynů zaregistrujte spotřebič.

### Opakovaná registrace spotřebiče nebo registrace jiného uživatele

- Stiskněte a po dobu 3 sekund podržte tlačítko **Wi-Fi** pro jeho dočasné vypnutí. Spusťte aplikaci **LG ThinQ** a podle jejích pokynů zaregistrujte spotřebič.

### POZNÁMKA

- Pokud chcete vypnout funkci Wi-Fi, stiskněte a po dobu 3 sekund podržte tlačítko **Wi-Fi**. Ikona  se vypne.

## Informační upozornění k softwaru s otevřeným zdrojovým kódem

Chcete-li získat zdrojový kód pod licencemi GPL, LGPL, MPL a dalšími open source licencemi, pro které platí povinnost zveřejňovat zdrojový kód, který je součástí tohoto produktu, a získat přístup ke všem uvedeným licenčním podmínkám, oznámením o autorských právech a dalším příslušným dokumentům, navštivte stránky <https://opensource.lge.com>.

Společnost LG Electronics vám také poskytne otevřený zdrojový kód na disku CD-ROM za poplatek pokrývající náklady na distribuci (např. cenu média, poplatky za dopravu a manipulaci), a to na základě žádosti zaslané e-mailem na adresu [opensource@lge.com](mailto:opensource@lge.com).

Tato nabídka platí pro kohokoli, kdo obdrží tyto informace, a to po dobu tří let od naší poslední dodávky tohoto produktu.

## Pokyny pro čištění

- Při demontáži police nebo zásuvky z přístroje vyjměte z police nebo zásuvky všechny uložené potraviny, aby nedošlo ke zranění osob nebo poškození zařízení.
  - Jinak by v důsledku hmotnosti uskladněných potravin mohlo dojít ke zranění.
- Při čištění vnějších přívodů vzduchu zařízení vysavačem byste měli vypojit napájecí kabel ze zásuvky, abyste předešli jakémukoli statickému výboji, který by mohl poškodit elektroniku nebo způsobit úraz elektrickým proudem.
- Vyjměte police a zásuvky a omyjte je vodou. Poté je před opětovným vložením do přístroje dostatečně osušte.
- Pravidelně otírejte těsnění dveří měkkým vlhkým hadříkem.
- Šmouhy a skvrny na příhrádkách ve dveřích je třeba očistit, neboť by mohly negativně ovlivnit možnosti skladování a případně způsobit i poškození.
- Po očištění zkontrolujte, zda není napájecí kabel poškozený, zahřátý nebo nesprávně zapojený.
- Přívody vzduchu na vnější straně zařízení udržujte v čistotě.
  - Zanesené přívody vzduchu mohou mít za následek vznik požáru nebo poškození zařízení.
- Při čištění vnitřní ani vnější část přístroje neotírejte hrubým kartáčem, zubní pastou nebo hořlavými materiály. Nepoužívejte čisticí prostředky obsahující hořlavé látky.
  - Může dojít ke změně zbarvení nebo k poškození přístroje.
  - Hořlavé látky: alkohol (ethanol, methanol, izopropylalkohol izobutylem alkohol atd.), ředidla, bělidlo, benzen, hořlavé kapaliny, abraziva atd.
- Na vnější povrchy zařízení používejte čistou houbu nebo měkký hadřík a jemný čisticí prostředek v teplé vodě. Nepoužívejte abrazivní ani hrubá čisticí. Pečlivě osušte měkkým hadříkem.
- Nikdy nemyjte police ani nádoby v myčce nádobí.
  - V důsledku horka by mohlo dojít k deformaci součástí.
- Pravidelně čistěte povrchy, které mohou přijít do styku s potravinami a přístupnými odvodňovacími systémy.
- Pokud je přístroj vybaven žárovkou LED, nedemontujte kryt žárovky ani žárovku LED a nepokoušejte se o její opravu nebo údržbu. obraťte se prosím na informační centrum zákazníků LG Electronics.

## Likvidace starého přístroje



- Tento symbol přeškrtnutého koše značí, že odpad z elektrických a elektronických výrobků (WEEE) je nutně likvidovat odděleně od linky komunálního odpadu.
- Staré elektrické výrobky mohou obsahovat nebezpečné látky, takže správná likvidace starých přístrojů pomůže zabránit potenciálním negativním důsledkům pro životní prostředí a lidské zdraví. Staré přístroje mohou obsahovat znovu použitelné díly, které lze použít k opravě dalších výrobků a další cenné materiály, které lze recyklovat a šetřit tak omezené zdroje.
- Přístroj můžete zanést buď do obchodu, kde jste ho zakoupili nebo se obrátit na místní správu komunálních odpadů, kde získáte podrobné informace o autorizovaném sběrném místě WEEE. Pro poslední aktuální informace z vaší země si prosím prostudujte web [www.lg.com/global/recycling](http://www.lg.com/global/recycling)

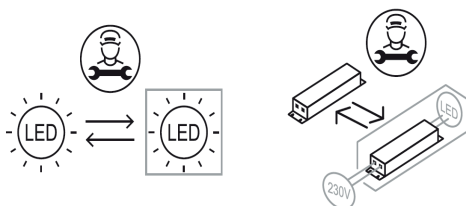
## Péče o zákazníky a servis

Kontaktujte zákaznické informační centrum společnosti LG Electronics.

- Informace o autorizovaném servisním středisku společnosti LG naleznete na našem webu [www.lg.com](http://www.lg.com).
- Spotřebič smí rozebírat, opravovat nebo upravovat pouze kvalifikovaný servisní pracovník autorizovaného servisního střediska společnosti LG.
- Minimální záruční doba tohoto chladicího spotřebiče je 24 měsíců.
- Chcete-li zakoupit náhradní díly, kontaktujte zákaznické informační středisko společnosti LG Electronics nebo navštivte náš web [www.lg.com](http://www.lg.com).
- Náhradní díly uvedené v nařízení EU 2019/2019 jsou k dispozici po dobu 7 let (pouze těsnění dveří jsou k dispozici po dobu 10 let).

## POZNÁMKA

- Další informace o energetické účinnosti spotřebiče naleznete na adrese <https://ec.europa.eu>, kde si spotřebič vyhledejte pomocí názvu modelu (platné od 1. března 2021).
- Nařízení EU 2019/2019, platné od 1. března 2021, se vztahuje na třídy energetické účinnosti podle nařízení EU 2019/2016.
- Naskenujte QR kód na energetickém štítku dodávaném se spotřebičem, který obsahuje odkaz na web s informacemi, které se týkají se výkonu spotřebiče v databázi EU EPREL. Ušchovejte si energetický štítek pro referenci i všechny další dokumenty dodané se spotřebičem (platné od 1. března 2021)
- Název modelu je uveden na typovém štítku spotřebiče.
- Tento výrobek obsahuje zdroj světla s třídou energetické účinnosti G.





BRUGERVEJLEDNING

# KØLESKAB & FRYSER

**Læs denne brugervejledning omhyggeligt, inden du anvender produktet og hav den altid ved hånden til senere brug.**

[www.lg.com](http://www.lg.com)

Se brugervejledningen på LG-webstedet for mere detaljerede oplysninger.  
Copyright © 2019-2023 LG Electronics Inc. Alle rettigheder forbeholdes



# INDHOLDSFORTEGNELSE

Denne vejledning kan indeholde billeder og andet, som adskiller sig fra den model, du har købt.

Denne vejledning er underlagt revidering foretaget af fabrikanten.

<b>SIKKERHEDSINSTRUKTIONER .....</b>	<b>3</b>
Vigtige sikkerhedsinstruktioner .....	3
<b>INSTALLATION .....</b>	<b>10</b>
Mål og afstande .....	10
Omgivelsestemperatur .....	10
<b>BETJENING .....</b>	<b>11</b>
Bemærkninger om betjening .....	11
Friskomdanner ( * ) .....	12
Skuffe til friske grøntsager ( * ) .....	12
Betjeningspanel .....	14
<b>SMARTE FUNKTIONER .....</b>	<b>16</b>
LG ThinQ-applikation.. .....	16
<b>VEDLIGEHOLDELSE .....</b>	<b>18</b>
Bemærkninger om rengøring .....	18
Bortskaffelse af dit gamle apparat .....	18
<b>FEJLFINDING .....</b>	<b>19</b>

## Yderligere oplysninger i vejledningen

Dette er brugervejledningens korte udgave.  
Besøg LG-webstedet på  
<http://www.lg.com> for yderligere oplysninger




## Fejlfinding



Hensigten med de følgende sikkerhedsmæssige retningslinjer er at modvirke uforudsete risici og beskadigelse forårsaget af uforsvarlig eller forkert betjening af produktet.

Retningslinjerne er opdelt i 'ADVARSEL' og 'FORSIGTIG' som beskrevet herunder.

 Dette symbol vises for at gøre opmærksom på problemer og betjening, som kan medføre risici. Læs teksten ved dette symbol omhyggeligt, og følg instruktionerne for at undgå risici.

## ADVARSEL

Dette viser, at manglende overholdelse af instruktionerne kan medføre alvorlig tilskadekomst eller død.

## FORSIGTIG

Dette viser, at manglende overholdelse af instruktionerne kan medføre mindre alvorlig personskade eller beskadigelse af produktet.

### Vigtige sikkerhedsinstruktioner

## ADVARSEL

For at reducere risikoen for eksplosion, brand, død, elektrisk stød, personskade eller skoldning under brug af dette produkt, skal de følgende grundlæggende forsigtighedsregler overholdes, herunder disse:

### Børn i boligen

- Dette produkt må ikke bruges af personer (inklusive børn) med nedsatte fysiske, sensoriske eller mentale evner eller personer med manglende erfaring og viden, medmindre de holdes under opsyn eller er blevet instrueret i anvendelse af produktet af en person ansvarlig for deres sikkerhed. Børn bør holdes under opsyn for at undgå, at de leger med produktet.
- Hvis apparatet er udstyret med en lås (kun nogle modeller), skal nøglen opbevares utilgængeligt for børn.

### **Anvendelse i Europa:**

- Dette produkt kan bruges af børn i alderen fra 8 år og opæfter og personer med nedsatte fysiske, sensoriske eller mentale evner eller personer med manglende erfaring og viden, hvis de har været under opsyn eller er blevet instrueret i anvendelse af produktet på en sikker måde og forstår farerne, der er forbundet med anvendelse af det. Børn må ikke lege med produktet. Rengøring og brugervedligeholdelse må ikke udføres af børn uden opsyn.
- Børn fra 3 til 8 år må gerne lægge ting i eller tage ting ud af køleskabet.

### **Installation**

- Dette apparat må kun transporteres af to eller flere personer, der holder godt fast i apparatet.
- Sørg for, at stikkontakten er sluttet korrekt til jord, og at jordstikbenet på strømledningen ikke er beskadiget eller fjernet fra strømstikket. Nærmere oplysninger om jordtilslutning fås ved henvendelse til et LG Electronics-kundesupportcenter.
- Dette apparat er udstyret med en strømledning med jordleder og et jordstrømstik. Strømstikket skal sættes i en egnet stikkontakt, som er installeret og jordforbundet ifølge alle lokale regler og krav.
- Hvis strømledningen er beskadiget, eller hvis hullet i stikkontakten er løst, må strømledningen ikke anvendes. Kontakt et autoriseret servicecenter.
- Apparatet må ikke sluttes til en flerstikdåse, der ikke har monteret et strømkabel.
- Udlad at modificere eller forlænge strømledningen.
- Apparatet skal sluttes til en særlig strømforsyning, som er sikret separat.
- Brug ikke en flerstikdåse, som ikke er jordforbundet korrekt. Hvis der bruges en jordforbundet flerstikdåse, skal flerstikdåsen anvendes med den strømbelastningsevne, der svarer til den nominelle effekt, eller højere, og flerstikdåsen må kun bruges til apparatet.
- Installér apparatet på et sted, hvor det er let at trække strømstikket ud af apparatet.
- Vær påpasselig, så strømforsyningsstikket ikke peger opad, og lad ikke apparatet hvile op ad strømstikket.
- Installer produktet på et solidt og lige gulv.

- Undlad at installere apparatet et fugtigt og støvet sted. Undlad at installere og opbevare apparatet udenfor og på et område, der er udsat for vejrforhold såsom direkte sollys, vind eller regn eller temperaturer under frysepunktet.
- Undlad at stille apparatet i direkte sollys samt udsætte det for varme fra varmegenerende enheder såsom kakkelovne eller varmeapparater.
- Pas på ikke at blotlægge apparatets bagside under installationen.
- Vær forsigtig, så apparatets dør ikke falder ud under samling eller adskillelse.
- Vær påpasselig, så strømkablet ikke knibes, knuses eller beskadiges under samling eller adskillelse af apparatets dør.
- Man må ikke slutte en stikadapter eller andet tilbehør til strømstikket.

## Betjening

- Apparatet må ikke anvendes til noget andet formål (opbevaring af medicin eller forsøgsudstyr eller forsendelse) end privat fødevareopbevaring til husholdningsbrug.
- Tag stikket ud under kraftigt tordenvejr og lyn, samt når produktet ikke skal bruges i længere tid.
- Stikket og apparatets knapper må ikke berøres med våde hænder.
- Undlad at bøje kablet for meget eller at anbringe noget tungt på det.
- Hvis vand trænger ind i apparatets elektriske dele, skal du tage stikket ud og kontakte et LG Electronics-kundesupportcenter.
- Undlad at stikke hænderne eller hårde genstande ind i området, hvor der udsendes kold luft, eller ved dækslet eller risten, som udsender varme på bagsiden.
- Apparatets bagdæksel må ikke udsættes for en for stor kraft eller stød.
- Sæt ikke dyr såsom kæledyr ind i produktet.
- Vær opmærksom på børn i nærheden, når du åbner eller lukker køleskabets dør. Døren kan ramme barnet og forårsage tilskadekomst. Tillad ikke personer svinge sig fra nogen af dørene, da det kan få enheden til at vælte og forårsage alvorlige skader.
- Undgå faren for, at børn bliver fanget inde i apparatet. Et barn, der bliver fanget i apparatet, risikerer at blive kvalt.

- Man må ikke anbringe tunge eller skrøbelige genstande, beholdere med vand, brændbare stoffer, antændelige genstande (som f.eks. stearinlys, lamper osv.) eller opvarmningsanordninger (som f.eks. komfurer, varmeapparater osv.) på apparatet.
- Hvis der opstår gasudsivning (isobutan, propan, naturgas osv.), må du ikke røre ved apparatet eller stikket. Udluft området øjeblikkeligt. Apparatet bruger en kølegas (isobutan, R600a). Selvom det kun anvender en lille mængde gas, er den stadigvæk en brændbar gas. Gasudsivning under transport, installation eller betjening af apparatet kan forårsage brand, eksplosion eller personskade, hvis der forekommer gnister.
- Undlad at anvende eller opbevare brandfarlige eller brændbare stoffer (æter, benzen, alkohol, kemikalier, LPG, brandfarlig spray, insekticider, luftfriskere, kosmetik, etc.) i nærheden af apparatet.
- Hvis du opdager en mærkelig lyd, lugte eller røg, der kommer ud af apparatet, skal du kontakte et LG Electronics-kundesupportcenter øjeblikkeligt.
- Fyld ismaskinen eller dispenservandtanken udelukkende med drikkevand.
- Kølekredsløbet må ikke beskadiges.
- Undlad at anbringe elektroniske apparater (f.eks. et varmeapparat eller en mobil telefon) inden i apparatet.

### **Vedligeholdelse**

- Træk strømstikket ud, inden du rengør apparatet eller udskifter den indvendige lampe (hvor monteret).
- Sæt strømstikket godt ind i stikkontakten, når du har fjernet evt. fugt og støv fuldstændigt.
- Træk aldrig apparatets stik ud ved at trække i strømkablet. Grib altid godt fast i strømstikket, og træk det lige ud af stikkontakten.
- Man må ikke sprøjte vand eller brandfarlige stoffer (tandpasta, alkohol, fortyndingsmiddel, benzen, antændelige væsker, slibemidler osv.) på apparatets indre eller ydre for at gøre det rent.
- Undlad at rengøre apparatet med børster, klude eller svampe, som har ru overflader, eller som er lavet af metalliske materialer.
- Adskillelse, reparation og modificering af apparatet må kun udføres af kvalificeret servicepersonale fra et LG Electronics-servicecenter. Kontakt et LG Electronics-kundesupportcenter, hvis du flytter og installerer apparatet et andet sted.

- Undlad at anvende en hårtørrer inden i apparatet samt at stille stearinlys ind i produktet for at fjerne dårlig lugt.
- Undlad at anvende mekaniske anordninger eller andre hjælpemidler til at fremskynde afrimningsprocessen.

### **Bortskaffelse**

- Når apparatet bortskaffes, skal du fjerne dørens pakning, mens hylderne og kurvene stadig er på plads. Børn må ikke komme i nærheden af apparatet.
- Alle emballagematerialer (f.eks. plastikposer og flamingo) skal bortskaffes omgående, så børn ikke kommer i nærheden af dem. Emballagematerialerne kan forårsage kvælning.

### **Teknisk sikkerhed**

- Sørg for, at ventilationsåbninger – i produktets kabinet eller i den indbyggede struktur – er fri for blokeringer.
- Brug ikke elektriske apparater inde i køleskabet.
- Køle- og isoleringsblæsegassen, der anvendes i produktet kræver særlige procedurer ved bortskaffelse. Rådfør dig med en servicerepræsentant eller lignende kvalificeret person, inden du bortskaffer disse.
- Kølemiddel, som lækker ud af rørene kan antændes eller forårsage en eksplosion.
- Mængden af kølemiddel i dit specifikke produkt er vist på typeskiltet, der sidder inden i produktet.
- Start aldrig et produkt op, som viser tegn på beskadigelse. I tilfælde af tvivl skal du kontakte din forhandler.
- Dette produkt er kun beregnet til anvendelse i privatboliger og lignende steder. Det må hverken bruges til erhverv eller catering, eller i nogen mobil anvendelse, f.eks. som en campingvogn eller båd.
- Eksplosive stoffer som f.eks. aerosoldåser med brandfarlige drivgasser må ikke opbevares inden i produktet.
- Dette køleapparat er ikke beregnet til at blive brugt som et indbygget apparat.

## Risiko for brand og brandbart materiale



Dette symbol gør dig opmærksom på, at brandbare materialer kan antænde og være skyld i brand, hvis du ikke er forsigtig.

- Apparatet indeholder en lille mængde isobutankølemiddel (R600a), men det er også brændbart. Man skal udvise forsigtighed, så ingen del af kølekredsløbet beskadiges under transport eller installering af produktet.
- Hvis der opstår udsivning, skal man undgå at bruge åben ild eller mulige antændelseskilder samt lufte ud i adskillige minutter i rummet, hvor produktet er opstillet. For at undgå, at der opstår brandfarlige gas-/luftblandinger, hvis der opstår udsivning fra kølekredsløbet, skal størrelsen på rummet, hvor produktet anvendes, altid svare til mængden af anvendt kølemiddel. Rummet skal være 1 m<sup>2</sup> stort for hver 8 g R600a kølemiddel i produktet.
- Sørg for, at ledningen ikke kommer i klemme eller bliver skadet, når du placerer apparatet.
- Placer ikke stikdåser med flere stik eller bærbare strømforsyninger ved enden af apparatet.

## **FORSIGTIG**

**For at reducere risikoen for mindre skade på personer, fejl eller skader på produktet eller ejendom ved brug af dette produkt, skal de grundlæggende forholdsregler overholdes, inklusive følgende:**

### **Installation**

- Undlad at vippe apparatet for at trække eller skubbe det under transport.
- Kontrollér, at du ikke får en kropsdel, som f.eks. en hånd eller fod, i klemme, mens apparatet flyttes.

### **Betjening**

- Undlad at røre ved frossen mad eller metaldelene i fryseren med våde eller fugtige hænder. Det kan forårsage forfrysning.
- Anbring ikke glasbeholdere, flasker eller dåser (især kulsyreholdige drikkevarer) i fryserummet, på hylder eller i en isbeholder, der skal udsættes for temperaturer under frysepunktet.
- Det hærdede glas på forsiden af apparatets dør eller hylderne kan blive ødelagt af et stød. Hvis det går i stykker, må du ikke røre det med hænderne.
- Undlad at hænge i apparatets dør, opbevaringsrummet eller hylderne samt at kravle op på dem.
- Undlad at opbevare en for stor mængde vandflasker eller beholdere til tilbehør på dørkurvene.
- Dyr skal forhindres i at bide i strømforsyningskablet eller vandslangen.
- Undlad at åbne eller lukke apparatets dør med for stor styrke.
- Hvis hængslet på produktets dør er beskadiget eller ikke fungerer korrekt, må produktet ikke anvendes. Kontakt et LG Electronics-servicecenter.
- Undlad at rengøre glashylder eller låger med varmt vand, når de er kolde.
- Spis aldrig frossen mad, lige efter den er blevet taget ud af fryseren.
- Kontrollér, at du ikke får din hånd eller fod i klemme ved åbning eller lukning af apparatets dør.

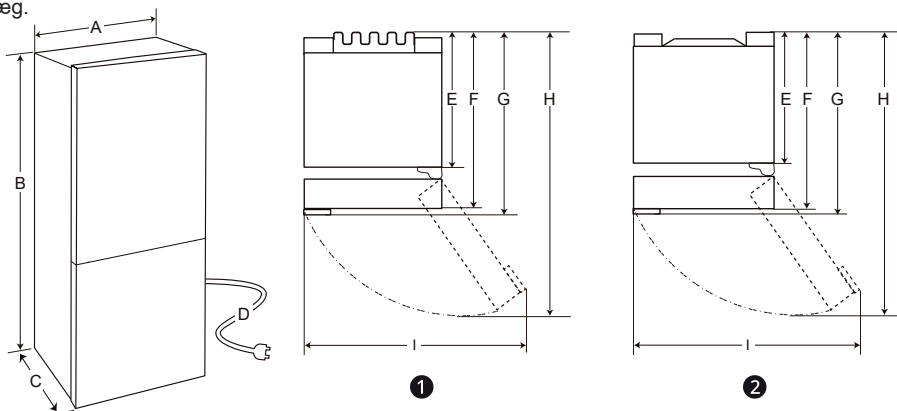
### **Vedligeholdelse**

- Hylderne må ikke sættes ind vendt på hovedet. Hylderne kan falde.
- Kontakt et LG Electronics-kundesupportcenter for at blive vejledt i afrimning af apparatet.



## Mål og afstande

En for kort afstand fra nærliggende genstande kan medføre forringelse af fryseevnen og dyrere el-regninger. Når apparatet installeres, skal der være en frigang på over 50 mm til hver tilstødende væg.



	1		2	
	Størrelse [mm]			
	Lomme håndtag	Stang håndtag	Lomme håndtag	Stang håndtag
A	595	595	595	595
B	1 860 / 2 030	1 860 / 2 030	1 860 / 2 030	1 860 / 2 030
C	682	718	675	712
D	2 100	2 100	2 100	2 100
E	616	616	610	610
F	682	682	675	675
G	-	718	-	712
H	1 230	1 237	1 225	1 232
I	995	995	995	995

### BEMÆRK

- Målingerne i tabellen ovenfor er omtrentlige.

## Omgivelsestemperatur

- Apparatet er beregnet til at fungere i et begrænset omgivelsestemperaturområde alt efter klimazonen.
- Den interne temperatur kan påvirkes af apparatets placering, omgivelsestemperaturen, hvor ofte man lukker døren op osv.
- Klimaklassen kan findes på mærkatet med nominelle værdier.

Klimaklasse	Omgivelsestemperaturområde (°C)
SN (udvidet tempereret)	+10 - +32
N (tempereret)	+16 - +32
ST (subtropisk)	+16 - +38
T (tropisk)	+16 - +43 / +10 - +43*

\*Australien, Indien, Kenya

### BEMÆRK

Apparaterne, der er normeret fra SN til T, er beregnet til brug ved en omgivelsestemperatur på mellem 10 °C og 43 °C.

## Bemærkninger om betjening

- Brugere bør være opmærksomme på, at der kan dannes rim, hvis døren ikke lukkes helt, hvis der er høj fugtighed om sommeren, eller hvis fryserdøren åbnes hyppigt.
- Sørg for, at der er nok plads mellem mad opbevaret på hylden eller dørkurven, så døren kan lukkes helt.
- Åbning af døren over længere perioder kan medføre betydelig stigning i temperaturen i køleskabets rum.
- Hvis køleskabet efterlades tomt over længere perioder, skal det slukkes, afrimes, rengøres, tørres og døren skal efterlades åben for at undgå, at der dannes mug inden i apparatet.

## Forslag til energibesparelse

- Sørg for, at der er tilstrækkelig med plads mellem opbevarede fødevarer. På denne måde kan der jævnt cirkulere kold luft, og elregningen sænkes.
- Opbevar først varm mad, efter den er kølet af, med henblik på at forhindre dug eller rim.
- Når der opbevares mad i fryseren, skal frysertemperaturen indstilles til en lavere temperatur end den, der er angivet på apparatet.
- Undlad at stille fødevarer i nærheden af køleskabets temperatursensor. Der skal være en afstand på mindst 3 cm til sensoren.
- Læg mærke til, at en temperaturstigning efter afrimning har et tilladt område i apparatets specifikationer. Hvis du ønsker at minimere påvirkningen, som dette kan have på fødevarer opbevaring pga. en temperaturstigning, bør du forsegle eller indpakke den opbevarede mad i adskillige lag.
- Afrimningsautomatikken i apparatet sikrer, at der ikke sker isdannelse i rummet under normale driftsforhold.
- For at opnå det mest effektive energiforbrug, skal det sikres, at alle indre dele (f.eks. dørhylder, skuffer og hylder) er på deres oprindelige plads.
- Temperaturen i apparatet bør ikke være lavere end nødvendigt.

## Effektiv opbevaring af fødevarer

- Opbevar frostvarer eller køleskabsvarer i lukkede beholdere.
- Tjek udløbsdatoen og mærkningen (opbevaringsanvisninger), inden maden lægges ind i apparatet.
- Opbevar ikke fødevarer i længere tid, hvis de har tendens til at blive for gamle ved lave temperaturer.

- Læg køleskabs- eller frostvarer i hvert køleskab eller fryserum, umiddelbart efter de er indkøbt.
- Opbevar råt kød og fisk i passende beholdere i køleskabet, så de ikke er i kontakt med eller drypper på andre madvarer.
- Undgå genfrysning af fødevarer, der har været helt optøede. Nedfrysning af fødevarer, der er blevet fuldstændigt optøede igen, vil forringe disses smag og ernæring.
- Indpak og opbevar ikke grøntsager i aviser. Avisers udskrivningsmateriale eller andre fremmede stoffer kan fedte og forurene fødevarer.
- Overfyld ikke apparatet. Den kolde luft kan ikke cirkulere ordentligt, hvis apparatet er overfyldt.
- Hvis du indstiller en alt for lav temperatur til mad, kan den blive frosset. Indstil ikke en lavere temperatur end den nødvendige temperatur for at opbevare maden korrekt.
- Du kan få mere plads ved at fjerne flaskestativet, æggebakken, isbakken og friskomdanningskuffen.
- Fødevarer kan fryse eller blive ødelagt, hvis de opbevares ved forkert temperatur. Indstil køleskabet til den korrekte temperatur, når der skal opbevares fødevarer.

## Maksimal frysekapacitet

- Ekspressfrysfunktionen indstiller fryseren til dens maksimale frysekapacitet. Dette tager generelt op til 24 timer og slukkes automatisk.
- Hvis den maksimale frysekapacitet skal anvendes, skal ekspressfrysfunktionen slås til i syv timer, inden der kan lægges friske varer i fryseren.

## Frysning af den maksimale mængde mad

- Isæt alle skufferne for at få en bedre luftcirkulation.
- Såfremt større mængder af fødevarer skal opbevares, skal alle fryseskufferne tages ud af apparatet, og fødevarerne stables direkte på hylden eller hyldeerne i frysekammeret.

## BEMÆRK

- For at fjerne skufferne skal du først fjerne mad fra skufferne og derefter trække skufferne forsigtigt ud. Hvis du ikke gør det, kan det medføre personskaade eller skade på skufferne.

- Skufferne kan have forskellige former - indsæt dem på deres pladser.

### Indstilling af temperaturen

Temperaturen er fra fabrikken indstillet til:

- Tryk på knappen **Fridge** eller **Freezer** for at justere temperaturen.
- Temperaturen kan justeres.
  - Køleskab: fra 1 °C til 7 °C
  - Fryser: fra -15 °C til -23 °C
- Den indledende temperatur indstilles.
  - Køleskab: 3 °C
  - Fryser: -18 °C

Den faktiske, indvendige temperatur varierer afhængig af fødevarernes tilstand, da den angivne indstillingstemperatur er en måltemperatur og ikke den faktiske temperatur inde i køleskabet.

### BEMÆRK

- Standardindstillingen for temperatur kan variere afhængigt af apparatet.
- For at sikre optimal opbevaring af madvarer, anbefales det at hæve eller sænke temperaturen i hvert rum, så den er 1 °C eller et trin over eller under standardtemperaturen.
- Vent, til der er gået mellem 2 og 3 timer, efter apparatet er blevet sluttet til kontakten, inden du opbevarer mad i apparatet.
- For isproduktion i normale klimaer bør frysertemperaturen stilles til -18 °C eller koldere.

### Alarm for høj temperatur

Når frysertemperaturen bliver for høj på grund af strømafbrydelse, blinker LED-lampen for frysertemperatur, og der udsendes en alarm.

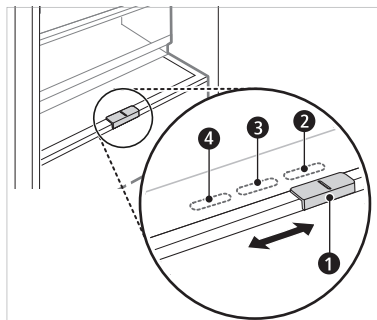
- Tryk på knappen **Freezer** for at stoppe.
- Hvis temperaturen er tilstrækkelig kold, stopper blinkene og alarmen automatisk.
- Denne funktion fungerer:
  - Når køleskabet er tændt.
  - Når fryseren bliver for varm.
  - Når der er en strømafbrydelse, der varer gennem længere tid.
  - Når der lægges store mængder varm mad i fryseren.
  - Når fryserdøren står åben for længe eller åbnes for hyppigt.

### Friskomdanner ( \* )

Som et kølerum kan temperaturen i

friskomdanneren kontrolleres ved at skubbe grebet **1**, hvor det er placeret foran rummet, i en af retningerne.

Når der opbevares grøntsager efter at have opsat Kød eller Fisk, kan der opstå kuldeskader.



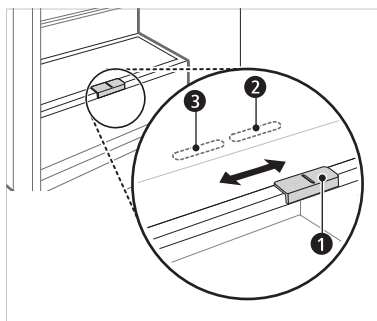
- ② Til opbevaring af grøntsager.(Anbefalet)
- ③ Til opbevaring af fisk.
- ④ Til opbevaring af kød.

### BEMÆRK

- ( \* ) : Denne funktion varierer alt efter den købte model.

### Skuffe til friske grøntsager ( \* )

Grøntsagsrummet kan justere fugtigheden ved at bevæge knappen **1**.



- ② Til opbevaring af grøntsager.(Anbefalet)
- ③ Til opbevaring af frugt.

### BEMÆRK

- ( \* ) : Denne funktion varierer alt efter den købte model.

## Rum til opbevaring af mad

### Opbevaring af mad i kølerummet

- **Køleskabshylde**

- Til opbevaring af køleskabsvarer og andre varer.
- Hyldens højde kan justeres ved at isætte hylden i en anden fordybning for at opnå forskellige højder.
- Fødevarer med et højt fugtindhold skal opbevares forrest på hylden.
- Det faktiske antal hylder kan variere fra model til model.

- **Flaskestativ (\*)**

- Til opbevaring af drikkevarer i høje flasker beholdere.

- **Foldehylde (\*)**

- Til opbevaring af køleskabsvarer og høje varer.

- **Skuffe til friske grøntsager (\*)**

- Til opbevaring af frugt og grønt for at hjælpe med at holde dem friske gennem justering af fugtighedsregulatoren.
- Apparatets udseende eller dets dele kan variere fra model til model.

- **Friskomdanner (\*)**

- Dette er et kølerum til opbevaring af kød, fisk og grøntsager. Det hjælper med at holde varerne friske ved at justere fugtighedsregulatoren bag på køleskabet.
- Du kan bruge køleområdet uden kølerumskuffen for at få mere plads.

- **Flytbar æggebakke**

- Til opbevaring af æg.
- Du kan flytte den og bruge den i den ønskede placering efter behov. Du bør ikke bruge densom isbeholder eller placere den på hylden øverst i køleskabet eller grøntsagsskuffen.

- **Kurv i køleskabsdør**

- Til opbevaring af mindre produkter i pakker, drikkevarer og beholdere med saucer.

- **Vanddispensertank (\*)**

- Til opbevaring af vandet, der skal forsynes til dispenseren eller den automatiske ismaskine. Den kræver manuel påfyldning. (Kun ikke-rørttilsluttede modeller.)

### Opbevaring af mad i fryserummet

- **Isbakke**

- Her produceres og opbevares der isterninger.
- Du kan få mere plads ved at fjerne isbakken eller isterningspanden.

- **Fryserskuffe**

- Til langtidsopbevaring af frosne varer.
- Opbevar fødevarer i venstre side af den øverste skuffe for at nedfryse madvarer hurtigt. Madvarer nedfrysnes hurtigst i skuffen.

### BEMÆRK

- (\*) : Denne funktion varierer alt efter den købte model.
- Få flere oplysninger om andre rum på [lg.com](http://lg.com) og download brugervejledninger.

## Betjeningspanel

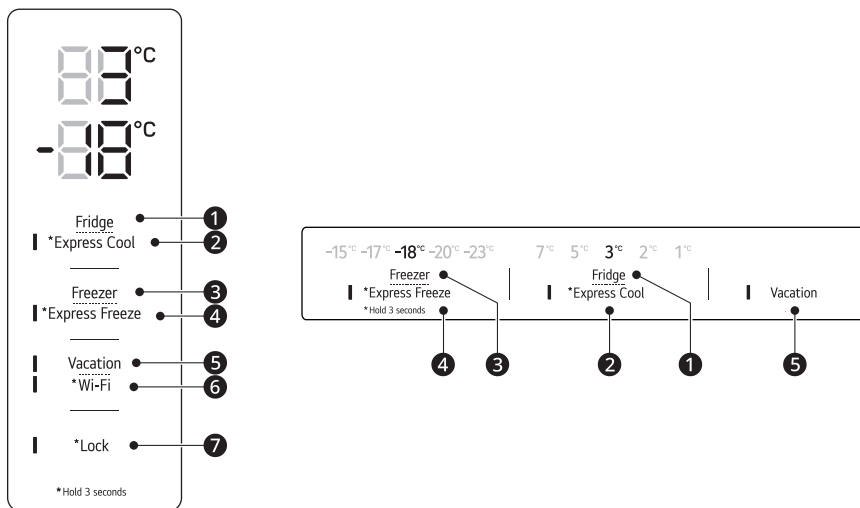
Det viste betjeningspanel kan variere fra model til model.

### Betjeningspanel og funktioner

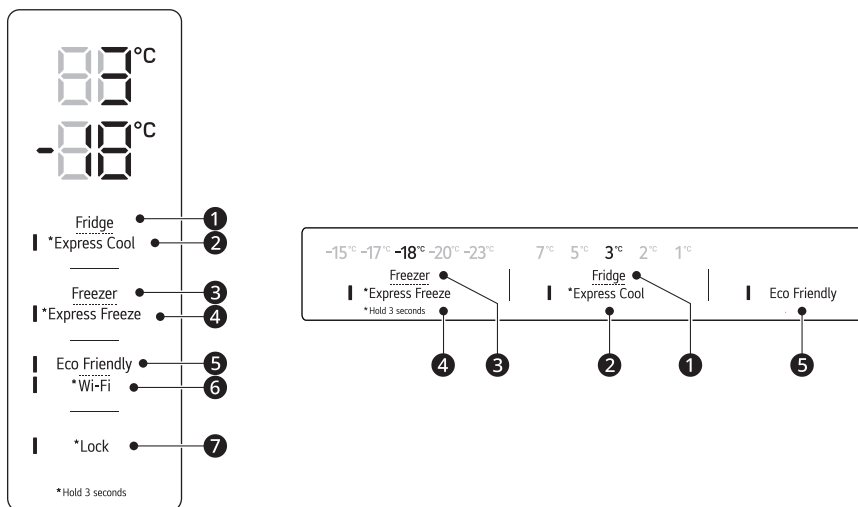
\*1 Denne funktion er kun tilgængelig på visse modeller.

Betjeningspanelet findes enten på køleskabsdøren eller inden i køleskabet afhængigt af modellen.

#### Type A



#### Type B



**1 Fridge**

Tryk gentagne gange på denne knap for at vælge en ønsket temperatur mellem 1 °C og 7 °C.

- Køleskabstemperaturen er som standard 3 °C.

**2 Express Cool**

Denne funktion kan hurtigt afkøle store mængder mad såsom grønt, frugt osv.

- Funktionen slås til og fra ved hvert tryk på knappen i 3 sekunder.

**3 Freezer**

Tryk gentagne gange på denne knap for at vælge en ønsket temperatur mellem -15 °C og -23 °C.

- Frysertemperaturen er som standard -18 °C.

**4 Express Freeze**

Med denne funktion kan du hurtigt fryse en stor mængde is eller frostvarer.

- Tryk på knappen **Express Freeze** for at aktivere funktionen i 24 timer. Funktionen slår automatisk fra efter 24 timer.
- Funktionen slås til og fra ved hvert tryk på knappen i 3 sekunder.
- Når denne tilstand er slået til, kan der forekomme støj, og energiforbruget kan stige.

**5 Vacation**

Denne funktion er nyttig, når du tager på ferie. Når denne funktion er aktiveret, er køleskabstemperaturen 7 °C og frysertemperaturen -15 °C. Når denne funktion er deaktiveret, vender køleskabet og frysetemperaturen tilbage til de foregående temperaturindstillinger.

- Funktionen slås til og fra ved hvert tryk på knappen.
- Når denne tilstand er aktiveret, fungerer de andre knapper ikke, med undtagelse af knapperne **Lock** og **Wi-Fi**.
- **Eco Friendly** er blevet omdøbt til **Vacation**.

**⚠ FORSIGTIG**

- Når denne funktion er aktiveret, skal du være forsigtig med at opbevare fødevarer, som kræver temperaturer, som er lavere end standardtemperaturen.
- Når du kommer hjem, skal du huske at slå denne funktion fra, for at låse de andre knapper op, og sætte køleskabet tilbage til dets tidligere temperaturindstillinger.

**6 Wi-Fi<sup>\*1</sup>**

Denne knap giver apparatet mulighed for at oprette forbindelse til et Wi-Fi-netværk i hjemmet. Få oplysninger i afsnittet „**SMART FUNCTIONS**” om den første opsætning af **LG ThinQ** -applikationen.

**7 Lock<sup>\*1</sup>**

Låser alle knapperne på betjeningspanelet.

- Lås knapperne på kontrolpanelet ved at trykke på knappen **Lock** og holde den nede i tre sekunder, indtil funktionen aktiveres.
- Deaktiver funktionen ved at trykke på knappen **Lock** og holde den nede i tre sekunder, indtil funktionen deaktiveres.

**BEMÆRK**

- For at sikre optimal opbevaring af madvarer, anbefales det at hæve eller sænke temperaturen i hvert rum, så den er 1 °C eller et trin over eller under standardtemperaturen.
- Den viste temperatur er måltemperaturen og ikke den faktiske temperatur inde i apparatet.
- Den aktuelle temperatur inde i apparatet afhænger af følgende faktorer: rumtemperatur, mængden af madvarer, hvor ofte dørene bliver åbnet, samt hvor apparatet er placeret. Tag disse faktorer i betragtning, når temperaturen indstilles.
- Betjeningspanelet slukker automatisk med henblik på energibesparelse.
- Hvis der er finger- eller hudkontakt med betjeningspanelet under rengøring, går knapfunktionen muligvis i gang.

## LG ThinQ-applikation

Denne funktion er kun tilgængelig på modeller med Wi-Fi.

LG ThinQ-applikationen giver dig mulighed for at kommunikere med apparatet ved hjælp af en smartphone.

## LG ThinQ applikationsfunktioner

Kommunikér med apparatet fra en Smartphone ved hjælp af de praktiske smartfunktioner.

### Smart diagnose

- Hvis du oplever et problem, mens du bruger apparatet, hjælper denne smart diagnose-funktion dig med at diagnosticere problemet.

### Indstillinger

- Gør det muligt at indstille forskellige muligheder på apparatet og i appen.

### BEMÆRK

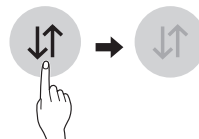
- Hvis du vil skifte din trådløse router, udbyder af internettjeneste eller adgangskode, skal du slette det registrerede apparat i applikationen LG ThinQ og registrere det igen.
- Appen kan ændres med henblik på forbedring af apparatet uden varsel til brugerne.
- Egenskaber kan variere fra model til model.

## Inden brug af LG ThinQ-applikation

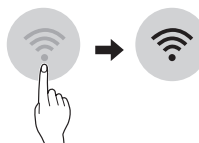
**1** Kontrollér afstanden mellem apparatet og den trådløse router (Wi-Fi-netværk).

- Hvis afstanden mellem apparatet og den trådløse router er for stor, bliver signalstyrken svag. Det kan tage lang tid at registrere, eller installationen udføres muligvis ikke.

**2** Slå **Mobildata** eller **Smartphone-data** fra på din smartphone.



**3** Slut smartphonen til en trådløs router.



### BEMÆRK

- For at verificere Wi-Fi-forbindelse, skal du kontrollere, at Wi-Fi-ikonet på kontrolpanelet lyser.
- Apparatet understøtter kun Wi-Fi-netværk på 2,4 GHz. Kontrollér netværksfrekvensen, kontakt din internetudbyder, eller se vejledningen til din trådløse router.
- LG ThinQ er ikke ansvarlig for eventuelle problemer med netværksforbindelsen eller eventuelle fejl, funktionsfejl eller fejl forårsaget af netværksforbindelse.
- Hvis apparatet har svært ved at koble sig på Wi-Fi-netværket, er det muligvis placeret for langt væk fra routeren. Køb en Wi-Fi-forstærker for at forbedre Wi-Fi-signalets styrke.
- Wi-Fi-forbindelsen kan muligvis ikke oprette forbindelse, eller den bliver afbrudt grundet hjemmenetværksmiljøet.
- Netværksforbindelsen fungerer muligvis ikke korrekt afhængigt af internetudbyderen.
- Det omgivende, trådløse miljø kan få den trådløse netværkstjeneste til at køre langsomt.
- Apparatet kan ikke registreres på grund af problemer med transmissionen af det trådløse signal. Træk stikket ud af apparatet, og vent i ét minut, før du prøver igen.
- Hvis firewallen på den trådløse router er aktiveret, skal du deaktivere den, eller tilføje en undtagelse til den.
- Navnet på det trådløse netværk (SSID) skal være en kombination af latinske bogstaver og tal. (Brug ikke specialtegn)


- Smartphonens brugergrænseflade (UI) kan variere alt efter mobiloperativsystemet (OS) og producenten.
- Hvis routerens sikkerhedsprotokol indstilles til **WEP**, kan netværket muligvis ikke konfigureres. Skift den til en anden sikkerhedsprotokol (**WPA2** anbefales), og registrer produktet igen.

## Installation af LG ThinQ-applikation

Søg efter **LG ThinQ**-appen fra Google Play Store eller Apple's App Store på en smartphone.

- Følg anvisningerne for at hente og installere appen.

## Sådan oprettes forbindelse til Wi-Fi

Når knappen **Wi-Fi** bruges sammen med app'en **LG ThinQ** er det muligt for enheden at oprette forbindelse til et hjemms Wi-Fi-netværk. Ikonet  viser statussen for enhedens netværksforbindelse. Ikonet lyser, når enheden er tilsluttet Wi-Fi-netværket.


### Indledende apparatregistrering

- Kør applikationen **LG ThinQ**, og følg vejledningen i applikationen for at registrere apparatet.

### Genregistrering af apparatet eller registrering af en anden bruger

- Tryk på, og hold knappen **Wi-Fi** nede i 3 sekunder for at slå det midlertidigt fra. Kør applikationen **LG ThinQ**, og følg vejledningen i applikationen for at registrere apparatet.

### BEMÆRK

- For at deaktivere funktionen Wi-Fi, tryk på og hold knappen **Wi-Fi** nede i 3 sekunder. Ikonet  slås fra.

## Oplysninger om Open Source-softwaremeddelelse

Du kan hente kildekode til GPL, LGPL, MPL og andre open source-licenser, der er forpligtede til at videregive kildekode, som findes i dette produkt, og tilgå alle omtalte licensbetingelser, meddelelser om ophavsret og andre relevante dokumenter på <https://opensource.lge.com>.

LG Electronics vil ligeledes tilbyde dig den åbne kildekode på en CD-ROM imod et gebyr, der dækker omkostningerne ved at udføre sådan en distribution (som f.eks. udgifter til medier, forsendelse og ekspedition). Send en forespørgsel til [opensource@lge.com](mailto:opensource@lge.com).

Dette tilbud gælder for alle, der har modtaget disse oplysninger, i en periode på tre år efter vores sidste forsendelse af dette produkt.



## Bemærkninger om rengøring

- Når du tager en hylde eller skuffe ud af apparatet, skal du fjerne al mad, der opbevares på hylden eller i skuffen, for at forhindre personskade eller beskadigelse af apparatet.
  - Ellers kan der opstå personskade pga. vægten af den opbevarede mad.
- Hvis de udvendige ventilationshuller på apparatet rengøres ved hjælp af støvsugning, skal netledningen tages ud af stikkontakten for at undgå enhver statisk udladning, som kan beskadige elektronikken eller give elektrisk stød.
- Tag hylderne og skufferne ud, og rengør dem med vand. Tør dem derefter tilstrækkeligt, inden du sætter dem på plads igen.
- Tør jævnlige dørens pakninger af med en våd blød klud.
- Hvis der spildes på dørpakninger og kommer pletter, skal de rengøres hurtigst muligt, så det ikke går ud over kurvens opbevaringsevne, der ellers kan blive beskadiget.
- Efter rengøring skal du undersøge, om strømforsyningskablet er beskadiget, varmt eller forkert isat.
- Ventilationsåbningerne udvendigt på apparatet skal altid være rene.
  - Blokerede ventilationsåbninger kan forårsage brand eller apparatbeskadigelse.
- Når apparatet rengøres indvendigt eller udvendigt, må der ikke bruges en grov børste, tandpasta eller brandfarlige materialer. Brug ikke rengøringsmidler, der indeholder brandfarlige stoffer.
  - Dette kan misfarve eller beskadige apparatet.
  - Brandfarlige stoffer: alkohol (ethanol, methanol, isopropylalkohol, isobutylalkohol osv.), fortynder, blegemiddel, benzen, brandfarlige væsker, slibemidler osv.
- Til apparatets yderside skal du bruge en ren svamp eller en blød klud og et mildt rengøringsmiddel i varmt vand. Brug ikke slibende eller krasse rensmidler. Tør grundigt med en blød klud.
- Hylde og beholdere må aldrig vaskes i opvaskemaskinen.
  - Delene kan blive deformeret pga. varmen.
- Rens overflader der kan komme i kontakt med madvarer og tilgængelige afløbssystemer med jævne mellemrum.
- Hvis apparatet er udstyret med en lysdiodelampe, må du ikke fjerne lampedækslet og lysdiodelampen i ethvert forsøg på at reparere eller servicere det. Kontakt et LG Electronics kundeinformationscenter.

## Bortskaffelse af dit gamle apparat



- Dette symbol med en affaldsspand med kryds over angiver at elektrisk og elektronisk affald (WEEE) skal bortskaffes og genbruges korrekt, adskilt fra kommunens husholdningsaffald.
- Gamle elektriske produkter kan indeholde farlige stoffer, så når du bortskaffer dit gamle apparat på korrekt vis, hjælper du med at forhindre mulige negative konsekvenser for miljø og mennesker. Dit gamle apparat kan indeholde dele som kan genbruges, fx til at reparere andre produkter, eller værdifulde materialer som kan genbruges og derved begrænse spild af værdifulde ressourcer.
- Du kan enten tage apparatet til den butik hvor du købte det, eller kontakte dit lokale affaldskontor angående oplysninger om det nærmeste, autoriserede WEEE-samlepunkt. Find de sidste nye oplysninger for dit land på [www.lg.com/global/recycling](http://www.lg.com/global/recycling)

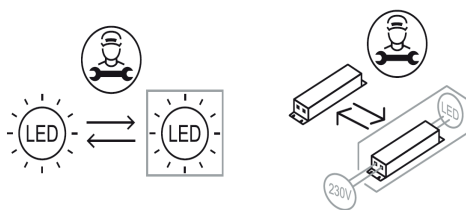
## Kundeservice

Kontakt et LG Electronics-kundesupportcenter.

- Besøg vores websted på [www.lg.com](http://www.lg.com) for at finde flere oplysninger om LG-autoriserede servicecentre.
- Kun kvalificeret servicepersonale fra LG-autoriserede servicecentre må adskille, reparere eller ændre apparatet.
- Minimumsgarantiperioden for dette køleapparat er 24 måneder.
- Du kan købe reservedele ved at kontakte LG Electronics-kundesupportcenter eller på vores website [www.lg.com](http://www.lg.com).
- Reservedele, der henvises til i EU-forordning 2019/2019, er tilgængelige i mindst syv år (kun pakninger til døre er tilgængelige i 10 år).

## BEMÆRK

- For at få flere oplysninger om apparatets energieffektivitet kan du besøge <https://ec.europa.eu> og søge på modelnavnet (gyldig fra den 1. marts 2021).
- Forordning EU 2019/2019, der gælder fra 1. marts 2021, er relateret til klasserne i energieffektivitet ved forordning EU 2019/2016.
- Scan QR-koden på energimærket, der leveres med apparatet, som giver et weblink til oplysningerne relateret til apparatets ydeevne i EU EPREL-databasen. Opbevar energimærket som reference og alle andre dokumenter, der følger med apparatet (gyldig fra den 1. marts 2021).
- Modelnavnet findes på apparatets klassificeringsmærke.
- Dette produkt indeholder en let energikilde med effektivitetsklasse G.





BEDIENUNGSANLEITUNG

# KÜHLSCHRANK UND GEFRIERSCHRANK

**Lesen Sie diese Bedienungsanleitung vor der Inbetriebnahme des Haushaltsgeräts sorgfältig durch und halten Sie sie griffbereit, damit Sie jederzeit darin nachschlagen können.**

[www.lg.com](http://www.lg.com)

Weitere Detailinformationen finden Sie auf der Website von LG im Benutzerhandbuch.  
Copyright © 2019-2023 LG Electronics Inc. Alle Rechte vorbehalten

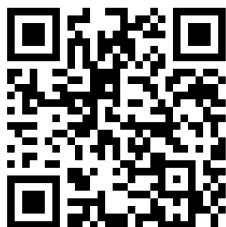
# INHALTSVERZEICHNIS

Diese Bedienungsanleitung kann Abbildungen oder Inhalte enthalten, die sich von Ihrem Modell unterscheiden. Änderungen an dieser Bedienungsanleitung durch den Hersteller bleiben vorbehalten.

<b>SICHERHEITSANWEISUNGEN .....</b>	<b>3</b>
WICHTIGE SICHERHEITSANWEISUNGEN.....	3
<b>AUFSTELLEN.....</b>	<b>11</b>
Abmessungen und Abstände.....	11
Umgebungstemperatur.....	11
<b>BETRIEB .....</b>	<b>12</b>
Bedienungshinweise.....	12
Frischekonverter ( * ).....	14
Frischgemüseschublade ( * ).....	14
Bedienfeld.....	16
<b>INTELLIGENTE FUNKTIONEN .....</b>	<b>19</b>
LG ThinQ-App.....	19
<b>WARTUNG .....</b>	<b>21</b>
Hinweise zur Reinigung.....	21
Entsorgung Ihrer Altgeräte.....	22
<b>FEHLERBEHEBUNG .....</b>	<b>23</b>

## Zusätzliche Informationen Im Handbuch

Dies ist eine Kurzfassung der Bedienungsanleitung. Weitere Informationen finden Sie auf der LG Website <http://www.lg.com>



## Fehlerbehebung




## SICHERHEITSANWEISUNGEN

DE

Die folgenden Sicherheitsrichtlinien dienen dazu, unvorhergesehene Risiken oder Beschädigungen durch unsicheren oder nicht ordnungsgemäßen Betrieb des Geräts zu vermeiden.

Die Richtlinien sind unterteilt in die Hinweise ‚**WARNUNG**‘ und ‚**ACHTUNG**‘, wie nachfolgend beschrieben.

 Dieses Symbol wird angezeigt, um auf Punkte und Bedienvorgänge hinzuweisen, die ein Risiko bergen können. Lesen Sie den mit diesem Symbol gekennzeichneten Teil sorgfältig und befolgen Sie die Anweisungen, um Risiken zu vermeiden.

### **WARNUNG**

Damit wird angezeigt, dass die Nichtbeachtung der Anweisung zu ernsthaften Verletzungen oder zum Tod führen kann.

### **ACHTUNG**

Damit wird angezeigt, dass die Nichtbeachtung der Anweisungen zu leichten Verletzungen oder einer Beschädigung des Geräts führen kann.

## WICHTIGE SICHERHEITSANWEISUNGEN

### **WARNUNG**

Befolgen Sie grundlegende Vorsichtsmaßnahmen, um Explosionen, Brandgefahren, Stromschläge, Verbrühungen oder sonstige Personenschäden zu vermeiden. Dazu gehört Folgendes:

#### **Kinder im Haushalt**

- Dieses Haushaltsgerät ist nicht für die Verwendung durch Personen (einschließlich Kindern) mit eingeschränkten körperlichen, sensorischen oder geistigen Fähigkeiten oder mangelnder Erfahrung oder Kenntnis geeignet, es sei denn, sie werden bei der Nutzung des Geräts beaufsichtigt oder haben dafür eine Einweisung von jemandem erhalten, der für ihre Sicherheit verantwortlich ist. Kinder sollten beaufsichtigt werden, um sicherzustellen, dass sie mit dem Haushaltsgerät nicht spielen.
- Wenn das Gerät mit einer Verriegelung ausgestattet ist (nur bei einigen Modellen), verwahren Sie den Schlüssel außerhalb der Reichweite von Kindern auf.

### **Für die Verwendung in Europa:**

- Dieses Haushaltsgerät kann von Kindern ab 8 Jahren benutzt werden, sowie von Personen mit eingeschränkten körperlichen, sensorischen oder geistigen Fähigkeiten oder mit mangelnder Erfahrung und Kenntnis, wenn sie bei der Nutzung des Geräts beaufsichtigt werden oder eine Einweisung zur sicheren Nutzung des Geräts und den damit verbundenen Gefahren erhalten haben. Kinder dürfen mit dem Haushaltsgerät nicht spielen. Die Reinigung und Wartung seitens des Benutzers darf von Kindern nicht ohne Beaufsichtigung vorgenommen werden.
- Kinder im Alter von 3 bis 8 Jahren dürfen Kühlgeräte befüllen und Produkte daraus entnehmen.

### **Installation**

- Das Gerät darf nur von zwei oder mehr Personen transportiert werden, die das Gerät sicher halten.
- Stellen Sie sicher, dass der Stecker einwandfrei geerdet ist und dass der Erdungsstift an dem Stromkabel nicht beschädigt oder entfernt wurde. Um weitere Details über Erdung in Erfahrung zu bringen, nehmen Sie bitte Kontakt mit dem Kundendienst von LG Electronics auf.
- Dieses Gerät ist mit einem Stromeinspeisungskabel ausgerüstet, das über einen Geräte-Erdungsleiter und einen Erdungs-Netzstecker verfügt. Der Netzstecker muss in eine geeignete Steckdose gesteckt werden, die mit allen gemäß der lokalen Vorschriften und Anordnungen vorgeschriebenen Ausrüstungen versehen ist.
- Wenn das Einspeisekabel für Strom beschädigt oder die Steckdose locker ist, verwenden Sie das Stromkabel nicht und nehmen Kontakt mit dem Kundendienst auf.
- Schließen Sie das Gerät nicht an eine Verteilersteckdose an, die über kein Stromkabel (montiert) verfügt.
- Das Stromkabel darf nicht modifiziert oder verlängert werden.
- Das Gerät sollte an eine dedizierte Stromleitung angeschlossen werden, die über eine separate Sicherung verfügt.
- Verwenden Sie keine Steckdosenleiste, die nicht ordnungsgemäß geerdet ist (tragbar). Wenn Sie eine ordnungsgemäß geerdete (tragbare) Steckdosenleiste verwenden, verwenden Sie die Steckdosenleiste mit der Stromleistung der Code-Nennleistung oder höher und verwenden Sie die Steckdosenleiste nur für das Gerät.

- Stellen Sie das Gerät an einem Aufstellplatz auf, der ein einfaches Herausziehen des Stromsteckers ermöglicht.
- Seien Sie vorsichtig, dass der Stromstecker nicht auf einen Tiefpunkt gerät oder das Gerät sich gegen diesen lehnt.
- Nehmen Sie die Aufstellung des Gerätes auf einem festen und ebenen Fußboden vor.
- Bitte installieren Sie das Gerät nicht an einer Stelle, an der Dampf oder Staub entsteht. Installieren oder lagern Sie bitte das Gerät nicht in einem Bereich unter freiem Himmel oder, an dem es Witterungseinflüssen, wie direkter Sonneneinstrahlung, Wind, Regen oder Temperaturen unterhalb des Gefrierpunktes, ausgesetzt ist.
- Stellen Sie das Gerät nicht in direktem Sonnenlicht auf und setzen Sie es nicht der Hitze von Heizgeräten wie Öfen oder Heizkörpern aus.
- Gehen Sie vorsichtig vor, um die Rückseite des Gerätes beim Einbau keinen Gefahren auszusetzen.
- Seien Sie vorsichtig und lassen Sie die Gerätetür während des Ausbaus oder Einbaus nicht fallen.
- Seien Sie vorsichtig, um das Stromkabel während des Zusammenbaus oder Ausbaus der Gerätetür weder zu kneifen, zu quetschen oder zu beschädigen.
- Schließen Sie keine Zwischensteckdose oder andere Geräte an den Netzstecker an.

### **Betrieb**

- Verwenden Sie das Gerät nicht für andere Zwecke (Lagerung von medizinischen oder experimentellen Materialien, oder für den Transport), sondern nur für die für den Haushalt vorgesehene Lagerung von Lebensmitteln.
- Trennen Sie den Stromstecker bei schweren Gewittern oder Blitzen oder wenn das Gerät über einen längeren Zeitraum nicht benutzt wird von der Steckdose.
- Berühren Sie nie den Stecker oder die Gerätesteuerung mit feuchten Händen.
- Biegen Sie das Stromkabel nicht übermäßig und stellen Sie bitte keine schweren Gegenstände auf den Stromkabel.
- Sollte Wasser in die Elektro-Teile des Gerätes eindringen, trennen Sie sofort die Stromzufuhr und nehmen Sie Kontakt mit dem Kundendienst von LG Electronics auf.

- Platzieren Sie keinesfalls Ihre Hände oder metallische Gegenstände in dem Bereich, der die kalte Luft ausstrahlt, auf Abdeckungen oder die Wärmeableitung auf der Rückseite.
- Wenden Sie keine übermäßige Kraft oder Stöße auf die Rückseite des Gerätes an.
- Keine lebenden Tiere, wie etwa Haustiere, in das Gerät legen.
- Seien Sie vorsichtig beim Öffnen und Schließen der Gerätetür, wenn Kinder in der Nähe sind. Ein Kind kann sich an der Tür stoßen, was Verletzungen verursachen kann. Erlauben Sie niemandem von den Türen zu schwingen, da das Gerät kippen und schwere Verletzungen verursachen könnte.
- Vermeiden Sie die Gefahr, dass Kinder im Inneren des Gerätes eingeschlossen werden können. Ein Kind, eingeschlossen im Inneren des Gerätes, kann Erstickengefahren ausgesetzt sein.
- Legen oder stellen Sie keine schweren oder zerbrechlichen Gegenstände, Behälter mit Flüssigkeiten, brennbare Gegenstände (wie Kerzen, Lampen etc.) oder Heizapparate (wie Kochplatten, Heizer, etc.) auf das Gerät.
- Falls es zu einem Gasleck kommt (Isobutan, Propan, Erdgas usw.), berühren Sie das Gerät oder den Netzstecker nicht und lüften Sie den Bereich sofort. Dieses Gerät verwendet ein Kältemittelgas (Isobutan R600a). Obwohl nur eine geringe Menge dieses Gases verwendet wird, kann es sich dennoch entzünden. Eine Gasundichtigkeit beim Transport, Aufstellen oder Betrieb kann einen Brand, eine Explosion oder Verletzungen verursachen, wenn es zu Funkenbildung kommt.  
Es dürfen keine entzündbaren oder brennbaren Stoffe (Ether, Benzin, Alkohol, Chemikalien, LPG (Abkürzung LPG für engl. Liquefied Petroleum Gas), brennbare Sprühmittel, Insektenvertilgungsmittel, Lufterfrischer und Raumdeodorants, Kosmetika etc.) in der Nähe des Gerätes verwendet oder aufbewahrt werden.
- Ziehen Sie sofort den Stromstecker und nehmen Sie Kontakt mit dem Kundendienst von LG Electronics auf, wenn Sie anomale Geräusche, Gerüche oder Rauch an dem Gerät feststellen.
- Füllen Sie die Eismaschine oder den Wasserspendertank nur mit Trinkwasser.
- Bitte beschädigen Sie nicht den Kühlmittelkreislauf.
- Legen Sie keine elektronischen Geräte (wie zum Beispiel Heizkörper oder Handys) in das Gerät.



## **Wartung**

- Trennen Sie das Einspeisungskabel vor dem Reinigen des Gerätes oder dem Austausch der Innenleuchten (wo angebracht).
- Stecken Sie den Stromstecker sicher in die Steckdose, nachdem Sie die gesamte Feuchtigkeit und den Staub beseitigt haben.
- Schalten Sie das Gerät niemals aus, indem Sie am Stromkabel ziehen. Nehmen Sie immer den Stromstecker fest in die Hand und ziehen Sie ihn gerade aus der Steckdose.
- Geben Sie zur Reinigung kein Wasser oder entzündliche Substanzen (Zahnpasta, Alkohol, Scheuermittel etc.) in den Innenraum oder außen auf das Gerät.
- Reinigen Sie das Gerät nicht mit Bürsten, Tüchern oder Schwämmen mit rauer Oberfläche oder aus Metall gefertigt.
- Nur qualifizierte Mitarbeiter der Instandsetzungsabteilung des LG Electronics Kundendienstes dürfen den Ausbau, die Reparatur oder die Modifizierung des Gerätes vornehmen. Nehmen Sie Kontakt mit dem Kundendienst von LG Electronics auf, wenn Sie das Gerät verschieben oder an einem anderen Aufstellungsort aufstellen.
- Verwenden Sie keinen Haartrockner, um die Innenseiten des Gerätes zu trocknen und stellen Sie keine Kerze in das Gerät, um Gerüche zu beseitigen.
- Verwenden Sie keine mechanischen Vorrichtungen oder andere Mittel, um den Abtauvorgang zu beschleunigen.

## **Entsorgung**

- Sollten Sie ein Gerät ausrangieren, entfernen Sie die Türdichtungen, während Sie die Regale und Behälter an Ort und Stelle lassen und halten Sie Kinder vom Geräte fern.
- Entsorgen Sie die gesamten Verpackungsmaterialien (wie zum Beispiel Plastiktüten und Styropor) außerhalb der Reichweite von Kindern. Die Verpackungsmaterialien können Erstickungen verursachen.

## **Technische Sicherheit**

- Belüftungsöffnungen im Gehäuse des Haushaltsgeräts oder in der Einbaukonstruktion frei halten.
- Verwenden Sie keine elektrischen Geräte im Kühlschrank.

- Die im Haushaltsgerät verwendeten Kühlmittel und Isolationsmaterialien müssen fachgerecht entsorgt werden. Wenden Sie sich vor deren Entsorgung an einen Servicemitarbeiter oder einen entsprechend qualifizierten Fachmann.
- Kühlmittelleckage aus den Rohren könnte sich entzünden oder eine Explosion verursachen.
- Die Kühlmittelmenge, die in Ihrem konkreten Haushaltsgerät enthalten ist, finden Sie auf dem Typenschild im Inneren des Haushaltsgeräts.
- Ein Haushaltsgerät niemals in Betrieb nehmen, wenn Anzeichen von Beschädigung sichtbar sind. Falls Sie sich nicht sicher sind, setzen Sie sich mit Ihrem Händler in Verbindung.
- Dieses Gerät ist nur für den Gebrauch im Haushalt oder ähnliche Anwendungen vorgesehen. Es sollte nicht für kommerzielle oder Catering Zwecke oder auf einem Boot und im Caravan verwendet werden.
- Keine explosiven Stoffe, wie etwa Aerosol-Behälter mit einem brennbaren Treibmittel, in diesem Haushaltsgerät lagern.
- Dieses Kühlgerät ist nicht für die Verwendung als Einbaugerät vorgesehen.

### **Brandgefahr und brennbare Materialien**



Dieses Symbol weist auf brennbare Materialien hin, die sich entzünden und einen Brand verursachen können, wenn nicht vorsichtig damit umgegangen wird.

- Dieses Gerät enthält einen kleinen Anteil (R600a) Isobutan-Kältemittel, welches brennbar ist. Beim Transport und Aufstellen des Haushaltsgeräts muss darauf geachtet werden, dass keine Bauteile des Kühlkreislaufs beschädigt werden.
- Falls ein Leck festgestellt wird, offene Flammen oder mögliche Zündquellen vermeiden und den Raum, in dem das Haushaltsgerät steht, mehrere Minuten lüften. Um die Bildung eines entzündlichen Gas/Luftgemischs zu vermeiden, falls es zu einem Leck im Kühlkreislauf des Geräts kommt, sollte die Größe des Raums, in dem das Haushaltsgerät betrieben wird, der verwendeten Kühlmittelmenge entsprechen. Der Raum muss für jeweils 8 g R600a, die in dem Haushaltsgerät enthalten sind, eine Fläche von 1 m<sup>2</sup> aufweisen.

- Beim Aufstellen des Geräts muss sichergestellt werden, dass das Netzkabel nicht eingeklemmt oder beschädigt wird.
- Es dürfen keine Verlängerungsleitungen mit Mehrfachsteckdosen oder Netzgeräte hinter dem Gerät platziert werden.

## **ACHTUNG**

**Um die Gefahr von leichten Verletzungen an Personen, Fehlfunktion oder Beschädigung am Produkt oder Eigentum zu reduzieren, befolgen Sie bei der Verwendung dieses Produkts grundlegende Vorsichtsmaßnahmen, einschließlich der folgenden:**

### **Installation**

- Kippen Sie das Gerät nicht, um es während des Transports zu ziehen oder zu schieben.
- Achten Sie darauf, dass Sie sich beim Bewegen des Geräts keine Körperteile wie Hände oder Füße klemmen.

### **Betrieb**

- Sie dürfen die eingefrorenen Lebensmittel oder die metallischen Teile in dem Gerät nicht mit feuchten Händen berühren. Dies könnte Frostbeulen verursachen.
- Stellen Sie keine Glasbehälter, Flaschen oder Dosen (insbesondere solche, die kohlenensäurehaltige Getränke enthalten) in Regale, Fächer oder Eisbehälter des Gefrierschranks, sodass sie Temperaturen unterhalb des Gefrierpunktes ausgesetzt wären.
- Das Hartglas an der Vorderseite der Gerätetür oder den Regalen kann durch einen Aufprall beschädigt werden. Wenn es zerbrochen ist, berühren Sie es nicht mit den Händen.
- Halten Sie sich nicht an der Gerätetür, den Lagerfächern und den Regalen fest oder klettern Sie auf diese.
- Lagern Sie keine übermäßige Anzahl von Wasserflaschen oder Behältern für Beilagen in den Türbehältern.
- Vermeiden Sie, dass Tiere an dem Stromkabel oder den Wasserschläuchen knabbern.
- Wenden Sie keine übermäßige Kraft beim Öffnen und Schließen der Gerätetür an.

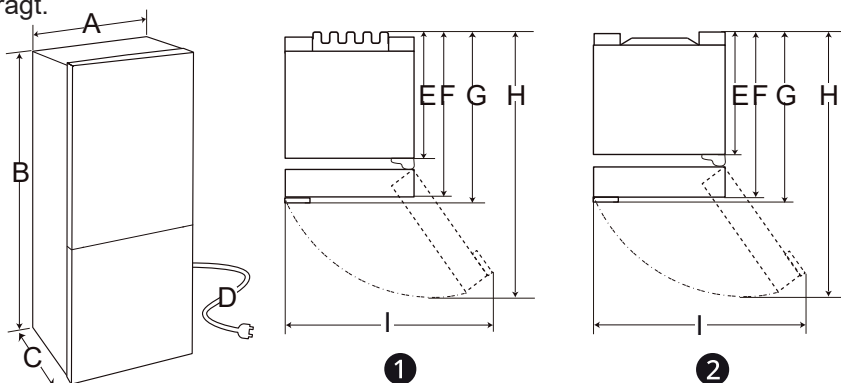
- Falls das Scharnier der Gerätetür beschädigt ist oder nicht ordnungsgemäß funktioniert, benutzen Sie das Gerät nicht mehr und setzen Sie sich mit dem Servicecenter von LG Electronics in Verbindung.
- Reinigen Sie keine Glasregale oder Abdeckungen mit warmem Wasser, wenn diese kalt sind.
- Essen Sie niemals eingefrorene Lebensmittel unmittelbar nachdem diese aus dem Gefrierfach genommen wurden.
- Achten Sie darauf, dass Sie sich nicht Hände oder Füße beim Öffnen oder Schließen der Tür des Geräts klemmen.

### **Wartung**

- Setzen Sie die Regale nicht umgedreht ein. Die Regale können fallen.
- Um Eis aus dem Gerät zu entfernen, nehmen Sie bitte Kontakt mit dem Kundendienst von LG Electronics auf.

## Abmessungen und Abstände

Steht das Gerät zu nah an benachbarten Objekten, kann das die Gefrierleistung herabsetzen und die Kosten für den Stromverbrauch erhöhen. Achten Sie beim Aufstellen darauf, dass der Abstand zu benachbarten Wänden über 50 mm beträgt.



	①		②	
	Größe [mm]			
	Griffmulde	StangenGriff	Griffmulde	StangenGriff
A	595	595	595	595
B	1 860 / 2 030	1 860 / 2 030	1 860 / 2 030	1 860 / 2 030
C	682	718	675	712
D	2 100	2 100	2 100	2 100
E	616	616	610	610
F	682	682	675	675
G	-	718	-	712
H	1 230	1 237	1 225	1 232
I	995	995	995	995

**HINWEIS** • Die Maße in der obigen Tabelle sind ungefähre Angaben.

## Umgebungstemperatur

- Je nach Klimazone ist das Gerät so konzipiert, dass es in einem begrenzten Umgebungstemperaturbereich betrieben wird.
- Die interne Temperatur wird beeinflusst durch den Aufstellort des Geräts, die Umgebungstemperatur, die Häufigkeit, in der die Tür geöffnet wird, usw.
- Auf dem Typenschild ist die Klimaklasse angegeben.

Klimazone	Umgebungstemperaturbereich °C
SN (Erweitert Gemäßigt)	+10 - +32
N (Gemäßigt)	+16 - +32
ST (Subtropisch)	+16 - +38
T (Tropisch)	+16 - +43 / +10 - +43*

\*Australien, Indien, Kenia

## HINWEIS

Die Geräteeinstufungen von SN bis T gelten für Umgebungstemperaturen im Bereich von 10°C bis 43°C.

### Bedienungshinweise

- Die Anwender sollten bedenken, dass sich Frost bilden kann, wenn die Tür nicht komplett geschlossen ist, wenn die Feuchtigkeit während des Sommers hoch ist oder wenn die Tür oft geöffnet wird.
- Stellen Sie sicher, dass ausreichender Platz zwischen den auf den Regalen gelagerten Lebensmitteln oder den Türbehältern vorhanden ist, sodass die Tür geschlossen werden kann.
- Wenn die Tür für längere Zeit geöffnet wird, kann die Temperatur in den Fächern des Gerätes signifikant ansteigen.
- Wenn das Kühlgerät für längere Zeit leer ist, schalten Sie es aus, tauen Sie es ab, reinigen und trocknen Sie es und lassen Sie die Tür geöffnet, um Schimmelbildung im Inneren des Gerätes zu verhindern.

### Vorschläge zum Energiesparen

- Stellen Sie sicher, dass ausreichender Raum zwischen den eingelagerten Lebensmitteln vorhanden ist. Dies ermöglicht es der kalten Luft gleichmäßig zu zirkulieren und verringert die Stromrechnungen.
- Lagern Sie heiße Lebensmittel nur nachdem diese abgekühlt sind, um Tau oder Frost zu vermeiden.
- Wenn Sie Lebensmittel im Gefrierbereich lagern, stellen Sie die Temperatur des Gefrierbereichs niedriger als die Temperatur ein, welche auf dem Lebensmittel angegeben ist.
- Stellen Sie keine Lebensmittel in der Nähe des Temperatursensors des Kühlfachs ab. Halten Sie einen Abstand von mindestens 3 cm von dem Sensor ein.
- Bitte beachten Sie, dass ein Temperaturanstieg nach der Entfrostung in einem zulässigen Bereich gemäß der Gerätespezifikationen erlaubt ist. Sollten Sie einen verringerten Einfluss dieses Temperaturanstiegs auf die eingelagerten Lebensmittel wünschen, versiegeln oder verpacken Sie die eingelagerten Lebensmittel in mehreren Lagen.
- Die Abtauautomatik des Geräts sorgt dafür, dass sich unter normalen Betriebsbedingungen im Ablagefach kein Eis bildet.
- Um die Energie so effizient wie möglich zu nutzen, sollten Sie alle Innenteile (z.B. Türfächer, Schubladen und Ablagen) an ihrem ursprünglichen Platz halten.

Stellen Sie die Temperatur des Geräts nicht kälter ein als notwendig.

### Effektive Lagerung von Lebensmitteln

- Lagern Sie gefrorene oder gekühlte Lebensmittel in geschlossenen Behältern.
- Überprüfen Sie die Haltbarkeitsdaten und das Etikett (Lageranleitungen), bevor Sie die Lebensmittel in dem Gerät lagern.
- Lagern Sie keine Lebensmittel über einen langen Zeitraum, wenn diese bei niedrigen Temperaturen leicht verderben.
- Legen Sie die gekühlten oder gefrorenen Lebensmittel unmittelbar nach dem Einkauf in den Kühlschrank oder Gefrierschrank.
- Lagern Sie Frischfleisch und frischen Fisch in geeigneten Behältern im Kühlschrank, so dass es nicht mit anderen Lebensmitteln in Kontakt kommt oder darauf tropfen kann.
- Vermeiden Sie das erneute Einfrieren von Lebensmitteln, die schon gänzlich aufgetaut waren. Das Einfrieren von Lebensmitteln, die gänzlich aufgetaut waren, beeinträchtigt Geschmack und Nährwert.
- Packen und lagern Sie Gemüse nicht in Zeitungspapier ein. Der Bedruckstoff der Zeitung oder andere Fremdstoffen könnten abfärben und die Lebensmittel verunreinigen.
- Überfüllen Sie das Gerät nicht. Die kalte Luft kann nicht einwandfrei zirkulieren, wenn das Gerät überfüllt ist.
- Eine übertrieben niedrige Temperatur könnte zum Gefrieren der Lebensmittel führen. Stellen Sie die Temperatur nicht niedriger ein, als es für die korrekte Lagerung der Lebensmittel erforderlich ist.
- Für mehr Platz können Sie das Flaschengestell, die Eierablage, die Eiswürfelform und die Frischekonverter-Schubblade herausnehmen.
- Lebensmittel können einfrieren oder verderben, wenn sie bei falscher Temperatur gelagert werden. Stellen Sie den Kühlschrank auf die richtige Temperatur für die gelagerten Lebensmittel ein.

## Maximale Gefrierkapazität

- Die Funktion Schnellkühlen stellt den Gefrierbereich auf seine maximale Gefrierkapazität. Diese Funktion benötigt normalerweise bis zu 24 Stunden, und wird automatisch abgeschaltet.
- Wenn die maximale Gefrierkapazität genutzt werden soll, muss die Funktion Schnellkühlen für sieben Stunden vor dem Einlagern der frischen Lebensmittel eingeschaltet gewesen sein.

## Einfrieren der maximalen Menge an Lebensmitteln

- Um eine bessere Luftzirkulation zu erreichen, alle Schubladen einschieben.
- Wenn Sie große Mengen Nahrungsmittel aufbewahren wollen, sollten Sie alle Gefrierschubladen aus dem Gerät nehmen. Stapeln Sie dann die Nahrungsmittel direkt auf die Ablage (oder Ablagen) im Gefrierbereich.

### HINWEIS

- Um die Schubladen zu entnehmen, nehmen Sie zuerst die Lebensmittel aus den Schubladen und ziehen Sie dann die Schubladen vorsichtig heraus. Andernfalls können Verletzungen oder Beschädigungen auftreten.
- Die Form der einzelnen Schubladen kann sich unterscheiden. Daher bitte beim Einsetzen auf die richtige Position achten.

## Einstellung der Temperatur

Dadurch wird die Temperatur des Gefriergerätes oder Tiefkühlschranks eingestellt.

- Drücken Sie die Taste **Freezer** oder die Taste **Freezer**, um die Temperatur anzupassen.
- Die Temperatur kann angepasst werden.
  - Kühlschrank: zwischen 1 °C bis 7 °C
  - Gefrierschrank: zwischen -15 °C bis -23 °C
- Die Anfangstemperatur ist eingestellt.
  - Kühlschrank: 3 °C
  - Gefrierschrank: -18 °C

Die Innentemperatur verändert sich abhängig vom Status der Lebensmittel, die eingestellte Temperatur ist also nur ein Zielwert, nicht die tatsächliche Temperatur im Inneren des Geräts.

### HINWEIS

- Je nach Gerät kann die Standardtemperatur variieren.
- Um Lebensmittel optimal zu konservieren, wird empfohlen, die Standardtemperatur für jedes Fach um 1 °C oder eine Ebene zu erhöhen oder zu verringern.
- Warten Sie 2 bis 3 Stunden, nachdem Sie das Gerät an die Stromversorgung angeschlossen haben, bevor Sie Lebensmittel in dem Gerät aufbewahren.
- Für die Herstellung von Eis in Gebieten mit normalem Klima, sollte das Gefriergerät auf eine Temperatur von -18 °C oder kälter eingestellt werden.

## Alarm Hohe Temperatur

Wenn die Temperatur aufgrund von Stromausfall zu hoch wird, blinkt die Gefriertemperatur-LED, und es ertönt ein Alarm.

- Drücken Sie zum Stoppen die Taste

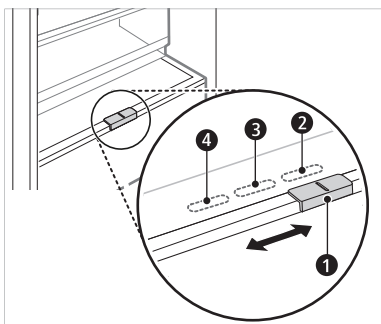
### Freezer

- Wenn die Temperatur wieder ausreichend kalt ist, wird das Blinken und der Alarm automatisch gestoppt.
- Diese Funktion wird aktiviert:
  - Wenn der Kühlschrank eingeschaltet ist.
  - Wenn der Gefrierbereich zu warm wird.
  - Wenn es für eine längere Zeit zu einem Stromausfall kommt.
  - Wenn große Mengen warmer Lebensmittel in den Gefrierbereich gestellt werden.
  - Wenn die Tür des Gefrierbereichs zu lange offen steht oder zu oft geöffnet wird.

## 7 Frischekonverter ( \* )

Im Kühlfach kann die Temperatur im Frischekonverter durch Schieben des Hebels ① an der Vorderseite in eine der Richtungen geregelt werden.

Wenn in dem Fach Gemüse gelagert wird, während es auf Fleisch oder Fisch eingestellt ist, kann das Gemüse durch Kälte verderben.



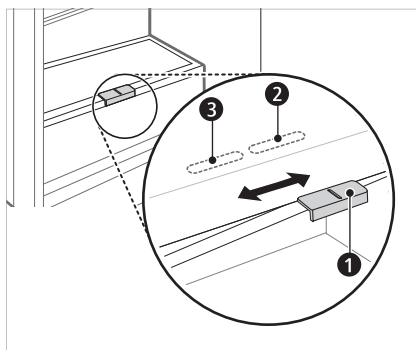
- ② Für die Lagerung von Gemüse. (Empfohlen)
- ③ Für die Lagerung von Fisch.
- ④ Für die Lagerung von Fleisch.

### HINWEIS

- ( \* ) Dieses Zubehör variiert je nach Modell

## 6 Frischgemüseschublade ( \* )

Im Gemüsefach kann die Luftfeuchtigkeit durch Verschieben des Hebels eingestellt werden ①.



- ② Für die Lagerung von Gemüse. (Empfohlen)
- ③ Für die Lagerung von Obst.

### HINWEIS

- ( \* ) Dieses Zubehör variiert je nach Modell.

## Bereich zur Aufbewahrung von Lebensmitteln

### Aufbewahren von Lebensmitteln im Kühlbereich

- ③ **Abstellfläche**
  - Hier werden die gekühlten Lebensmittel oder andere Artikel gelagert.
  - Die Höhe der Schublade kann angepasst werden, indem Sie es in eine andere Einkerbung miteinander unterschiedlichen Höhe einsetzen.
  - Lagern Sie Lebensmittel mit einem höheren Feuchtigkeitsgehalt vorne auf der Abstellfläche.
  - Die genaue Anzahl an Abstellflächen ist von Modell zu Modell unterschiedlich.
- ④ **Flaschengestell ( \* )**
  - Hier werden große Flaschen und Behälter gelagert.
- ⑤ **Faltregal ( \* )**
  - Hier werden die gekühlten Lebensmittel oder andere große Artikel gelagert.
- ⑥ **Frischgemüseschublade ( \* )**
  - Hier wird Obst und Gemüse gelagert und durch die Einstellung der Feuchtere regulierung frisch gehalten.
  - Das Aussehen der Komponenten kann sich von Modell zu Modell verändern.



- **7 Frischekonverter (\*)**
  - Dieses Kühlfach dient zur Lagerung von Fleisch, Fisch und Gemüse. Mithilfe der Einstellung der Feuchtere regulierung an der Rückseite des Kühlbereichs kann die Frische beibehalten werden.
  - Für mehr Platz können Sie diesen Kühlbereich auch ohne die Schublade verwenden.
- **8 Herausnehmbare Eierablage**
  - Hier werden Eier gelagert.
  - Sie können die Eierablage herausnehmen und an jedem gewünschte Ort im Gerät platzieren. Verwenden Sie sie jedoch nicht als Eisbehälter oder platzieren sie auf der obersten Ablage des Kühlbereichs oder in der Gemüseschublade.
- **9 Behälter in den Türen des Gefriergerätes**
  - Hier werden kleine Packungen an gekühlten Lebensmitteln, Getränken und Saucenbehältern aufbewahrt.
- **10 Wassertank (\*)**
  - Hier wird das Wasser für den Wasserspender und automatische Eismaschine aufbewahrt. Der Tank muss manuell befüllt werden (nur Modelle ohne Wasseranschluss).
- **12 Schubfächer des Gefriergerätes**
  - Dienen zur langfristigen Aufbewahrung von Gefriergut.
  - Um Lebensmittel schnell einzufrieren, lagern Sie die Lebensmittel auf der linken Seite der oberen Schublade. In dieser Zone frieren Lebensmittel am schnellsten in der Schublade ein.

#### HINWEIS

- (\*) : Dieses Zubehör variiert je nach Modell.
- Weitere Informationen zu den Nutzungsbereichen erhalten Sie im Benutzerhandbuch, das Sie auf [lg.com](http://lg.com) herunterladen können.

### Aufbewahren von Lebensmitteln im Gefrierbereich

- **11 Eiszüßelform**
  - Hier werden Eiszüßel zubereitet und aufbewahrt.
  - Für mehr Platz können Sie die Eiszüßelform oder den Eiszüßeleimer herausnehmen.

## Bedienfeld

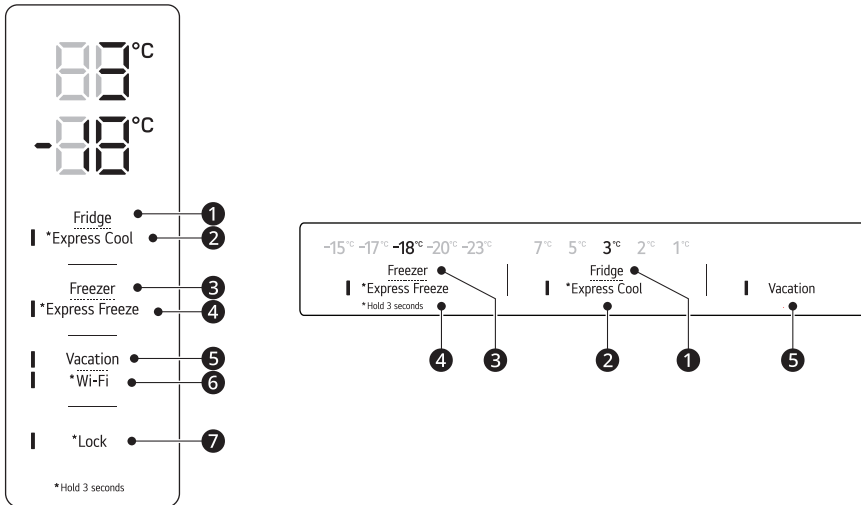
Das Bedienfeld kann sich von Gerät zu Gerät unterscheiden.

### Bedienfeld und Funktionen

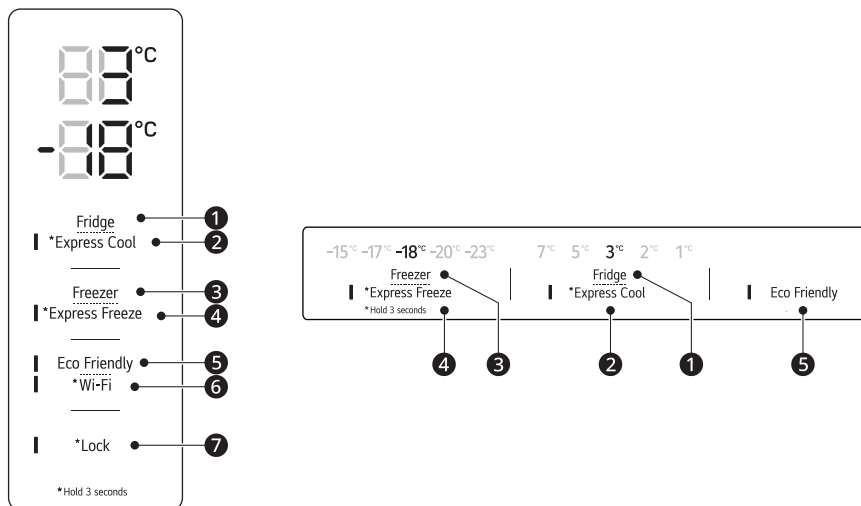
\*1 Diese Funktion ist nur bei einigen Modellen verfügbar.

Das Bedienfeld befindet sich je nach Modell entweder an der Kühlschranktür oder im Inneren des Kühlschranks.

#### Typ A



#### Typ B



**1 Fridge**

Drücken Sie diese Taste wiederholt, um eine gewünschte Temperatur zwischen 1°C und 7°C auszuwählen.

- Die ursprüngliche Kühltemperatur beträgt 3 °C.

**2 Express Cool**

Mit dieser Funktion kann eine große Menge von Lebensmitteln wie Gemüse, Obst etc. schnell gekühlt werden.

- Die Funktion wird aktiviert bzw. deaktiviert, wenn die Taste drei Sekunden lang gedrückt gehalten wird.

**3 Freezer**

Drücken Sie diese Taste wiederholt, um eine gewünschte Temperatur zwischen -15 °C und -23 °C auszuwählen.

- Die Standard-Gefriertemperatur beträgt -18 °C.

**4 Express Freeze**

Mit dieser Funktion kann eine große Menge an Eis oder Tiefkühlkost schnell eingefroren werden.

- Drücken Sie die Taste **Express Freeze.**, um die Funktion für 24 Stunden zu aktivieren. Die Funktion schaltet sich nach 24 Stunden automatisch ab.
- Die Funktion wird aktiviert bzw. deaktiviert, wenn die Taste drei Sekunden lang gedrückt gehalten wird.
- Wenn dieser Modus aktiviert ist, können Geräusche zu hören sein und der Energieverbrauch kann steigen.

**5 Vacation**

Diese Funktion ist sinnvoll, wenn Sie in den Ferien unterwegs sind. Wenn diese Funktion aktiviert ist, beträgt die Kühltemperatur 7°C und die Gefriertemperatur -15°C. Wenn diese Funktion deaktiviert ist, werden die Kühl- und Gefriertemperaturen auf die vorherigen Temperatureinstellungen zurückgesetzt.

- Die Funktion wird mit jedem Tastendruck aktiviert bzw. deaktiviert.
- Wenn dieser Modus aktiviert ist, funktionieren die anderen Tasten mit Ausnahme der Tasten **Lock** und **Wi-Fi** nicht.
- **Eco Friendly** wurde in **Vacation** umbenannt.

**⚠ ACHTUNG**

- Wenn diese Funktion aktiviert ist, sollten Sie bei der Lagerung von Lebensmitteln, die eine niedrigere Temperatur als die voreingestellte Temperatur benötigen.
- Vergessen Sie bei Ihrer Rückkehr nicht, diese Funktion auszuschalten, um die anderen Tasten freizugeben und den Kühlschrank auf die vorherigen Temperatureinstellungen zurückzusetzen.

**6 Wi-Fi\***

Diese Taste ermöglicht es dem Gerät, eine Verbindung mit dem WLAN-Heimnetzwerk herzustellen. Für Informationen zur Erstkonfiguration der **LG ThinQ**-Anwendung siehe **SMART FUNCTIONS**.

**7 Lock\***

Damit werden die Bedienfeldtasten gesperrt.

- Um die Tasten des Bedienfelds zu sperren, halten Sie die Taste **Lock** für 3 Sekunden gedrückt, bis die Funktion aktiviert ist.
- Um die Funktion zu deaktivieren, halten Sie die Taste **Lock** für 3 Sekunden gedrückt, bis die Funktion deaktiviert ist.

**HINWEIS**

- Um Lebensmittel optimal zu konservieren, wird empfohlen, die Standardtemperatur für jedes Fach um 1 °C oder eine Ebene zu erhöhen oder zu verringern.
- Die angezeigte Temperatur ist die Soll-Temperatur und nicht die tatsächliche Temperatur im Inneren des Geräts.
- Die tatsächliche Temperatur im Inneren des Geräts hängt von folgenden Faktoren ab: Raumtemperatur, Menge der Lebensmittel und wie oft die Türen geöffnet werden, sowie dem Standort des Geräts. Stellen Sie die Temperaturen unter Berücksichtigung dieser Faktoren ein.
- Das Bedienfeld wird automatisch ausgeschaltet, um Energie zu sparen.
- Wenn es bei der Reinigung zu Finger- oder Hautkontakt auf dem Bedienfeld kommt, kann die ausgelöste Funktion in Betrieb gehen.

## LG ThinQ-App

Diese Funktion steht nur bei Modellen mit WLAN zur Verfügung.

Mithilfe der **LG ThinQ** -App können Sie über ein Smartphone mit dem Gerät kommunizieren.

### Die Funktionen der LG ThinQ-Anwendung

Kommunizieren Sie mit dem Gerät von einem Smartphone aus, über das Sie die komfortablen intelligenten Funktionen verwenden können.

### Smart Diagnosis

- Wenn bei der Verwendung des Geräts ein Problem auftritt, kann Ihnen diese intelligente Diagnosefunktion helfen, das Problem zu diagnostizieren.

### Einstellungen

- Hier können verschiedene Optionen auf dem Gerät oder in der App eingestellt werden.

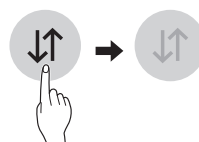
### HINWEIS

- Wenn Sie Ihren drahtlosen Router, Internetdienstanbieter oder Ihr Passwort ändern, löschen Sie das registrierte Gerät aus der **LG ThinQ**-Anwendung und registrieren Sie es erneut.
- Um die Geräte Funktionalität zu verbessern, kann die Anwendung geändert werden ohne den Nutzer zu benachrichtigen.
- Funktionen können sich je nach Modell unterscheiden.

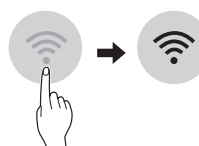
### Vor der Verwendung der LG ThinQ-App

- 1 Überprüfen Sie den Abstand vom Gerät zum kabellosen Router (WLAN-Netzwerk).
  - Wenn der Abstand zwischen dem Gerät und dem WLAN-Router zu groß ist, kann die Signalstärke schwach sein. In diesem Fall dauert die Registrierung sehr lange oder die Installation kann fehlschlagen.

- 2 Schalten Sie das **Mobile Netz** oder die **Mobilten Daten** auf Ihrem Smartphone aus.



- 3 Verbinden Sie Ihr Smartphone mit dem Router.



### HINWEIS

- Um die WLAN-Verbindung zu überprüfen, überprüfen Sie, ob das  -Symbol auf dem Bedienfeld leuchtet.
- Das Gerät unterstützt nur 2,4 GHz WLAN-Netzwerke. Kontaktieren Sie Ihren Internetanbieter oder sehen Sie im Handbuch Ihres kabellosen Routers nach, um Ihre Netzwerkfrequenz in Erfahrung zu bringen.
- **LG ThinQ** ist für keine Netzwerkbedingungen, Fehler oder Störungen/ Fehler, die durch Netzwerkverbindung verursacht wurde, verantwortlich.
- Wenn das Gerät Schwierigkeiten hat, sich mit dem WLAN-Netzwerk zu verbinden, kann es sein, dass es zu weit vom Router entfernt ist. Kaufen Sie einen WLAN-Repeater (Reichweitenerweiterung), um die WLAN-Signalstärke zu verbessern.
- Die WLAN-Verbindung könnte wegen der Heimnetzwerkumgebung nicht aufgenommen oder könnte unterbrochen werden.
- Die Netzwerkverbindung arbeitet möglicherweise aufgrund Ihres Internet-Service-Providers nicht störungsfrei.


- Die Umgebung des drahtlosen Netzwerkes kann das drahtlose Netzwerk verlangsamen.
- Das Gerät kann aufgrund von Problemen mit der drahtlosen Signalübertragung nicht registriert werden. Ziehen Sie den Stecker des Geräts aus und warten Sie ca. eine Minute, bevor Sie es erneut versuchen.
- Wenn die Firewall Ihres WLAN-Routers aktiviert ist, müssen Sie sie deaktivieren oder eine Ausnahme hinzufügen.
- Der Name des WLAN-Netzwerkes (SSID) sollte aus einer Kombination aus lateinischen Buchstaben und Zahlen bestehen. (Verwenden Sie keine Sonderzeichen)
- Die Smartphone-Benutzeroberfläche kann je nach Betriebssystem und Hersteller unterschiedlich ausfallen.
- Wenn das Sicherheitsprotokoll des Routers auf **WEP** eingestellt ist, ist es möglich, dass Sie kein Netzwerk einrichten können. Bitte ändern Sie die Einstellung auf ein anderes Sicherheitsprotokoll (wir empfehlen **WPA2**) und registrieren Sie das Produkt erneut.

### Installation der LG ThinQ-App

Suchen Sie auf einem Smartphone nach der **LG ThinQ** App im Google Play Store & Apple App Store.

- Befolgen Sie die Anweisungen, um die Anwendung herunter zu laden und zu installieren.

### Verbindung zum WLAN herstellen

Mit der **WLAN**-Taste wird, wenn die **LG ThinQ**-App genutzt wird, dem Gerät ermöglicht, eine Verbindung mit dem WLAN-Netzwerk herzustellen. Das -  Symbol zeigt den Netzwerkverbindungsstatus des Geräts an. Das Symbol leuchtet auf, wenn das Gerät mit dem WLAN-Netzwerk verbunden ist.


### Erstmalige Geräteregistrierung

- Führen Sie die Anwendung **LG ThinQ** aus und bitte befolgen Sie die in der Anwendung rangezeigten Instruktionen, um das Gerät zu registrieren.

### Das Gerät neu registrieren oder einen anderen Benutzer registrieren

- Für 3 Sekunden die Taste **Wi-Fi** gedrückt halten, um die Funktion vorübergehend auszuschalten. Führen Sie die Anwendung und befolgen Sie bitte die in der Anwendung angezeigten Instruktionen, um das Gerät zu registrieren.

### HINWEIS

- Um die WLAN-Funktion zu deaktivieren, halten Sie die **WLAN** Taste für 3 Sekunden gedrückt. Das -Symbol erlischt.

### Information: Hinweis bezüglich Open-Source-Software

Um den in diesem Produkt enthaltenen Quellcode unter der GPL, LGPL, MPL und anderen Open-Source-Lizenzen, die zur Offenlegung des Quellcodes verpflichten, zu erhalten und um Zugang zu allen genannten Lizenzbedingungen, Copyright-Hinweisen und anderen relevanten Dokumenten zu erhalten, besuchen Sie bitte <https://opensource.lge.com>. LG Electronics bietet gegen eine kostendeckende Gebühr (Medium, Versand und Bearbeitung) den Quellcode auf CD-ROM an. Senden Sie dazu eine Anfrage per E-Mail an: [opensource@lge.com](mailto:opensource@lge.com). Dieses Angebot gilt für jeden, der diese Informationen erhält, für einen Zeitraum von drei Jahren nach der letzten Lieferung dieses Produkts.

## Hinweise zur Reinigung

- Beim Ausbau von Regalen und Schubfächern aus dem Gerät, entfernen Sie alle Lebensmittel von diesen, um Verletzungen und Beschädigungen zu vermeiden.  
–Sonst könnten Verletzungen durch die eingelagerten Lebensmittel verursacht werden.
- Während der Reinigung der Entlüfter an der Außenseite des Geräts mittels Staubsauger, sollte das Stromkabel nicht angesteckt sein, um eine statische Entladung zu verhindern, die zur Beschädigung des Geräts oder einem elektrischen Schlag führen kann.
- Nehmen Sie bitte die Regale und Schubfächer heraus, reinigen Sie sie mit Wasser und trocknen sie diese anschließend gründlich ab, bevor Sie sie wieder einbauen.
- Wischen Sie regelmäßig die Dichtungen der Türen mit einem feuchten weichen Tuch ab.
- Spritzer und Flecken auf den Türbehältern sollten gereinigt werden, da diese die Lagerfähigkeit der Behälter beeinträchtigen und sie sogar beschädigen könnten.
- Kontrollieren Sie nach dem Reinigen, ob das Netzkabel beschädigt, heiß oder falsch eingesteckt ist.
- Halten Sie die Entlüftungen an der Außenseite des Gerätes sauber.  
–Verstopfte Lüftungsöffnungen können Brand oder Beschädigungen des Gerätes verursachen.
- Reinigen Sie das Inneren oder Äußere des Geräts nicht mit einer groben Bürste, Zahnpasta oder brennbaren Materialien. Verwenden Sie keine Reinigungsmittel, die entzündliche Inhaltsstoffe enthalten.  
–Dies kann zu Verfärbungen oder Schäden am Gerät führen.  
–Entzündliche Substanzen: Alkohol (Ethanol, Methanol, Isopropylalkohol, Isobutylalkohol etc.), Verdünnungsmittel, Bleiche, Benzol, entzündliche Flüssigkeiten, Scheuermittel, etc.
- Reinigen Sie die Außenseite des Geräts mit einem sauberen Schwamm oder einem weichen Lappen und warmem Wasser mit einem milden Reinigungsmittel. Verwenden Sie keine rauen oder scheuernden Reiniger. Trocknen Sie das Gerät sorgfältig mit einem weichen Tuch ab.
- Die Schubfächer oder Behälter niemals im Geschirrspüler reinigen.  
–Die Teile können durch Hitzeeinwirkung verformt werden.
- Reinigen Sie Oberflächen, die mit Nahrungsmitteln in Kontakt kommen, sowie die erreichbaren Abflusssysteme regelmäßig.
- Wenn das Gerät mit einer LED-Leuchte ausgestattet ist, darf die Abdeckung der Leuchte und die LED-Leuchte auf keinen Fall für Reparaturen oder Instandhaltung ausgebaut werden. Bitte wenden Sie sich an den Kundendienst von LG Electronics.

## Entsorgung Ihrer Altgeräte



- Das durchgestrichene Symbol eines fahrbaren Abfallbehälters weist darauf hin, dass Elektro- und Elektronik-Produkte (WEEE) getrennt werden müssen. Bitte entsorgen Sie Altgeräte getrennt von anderem Abfall und bringen Sie diese zu einer ausgewiesenen Sammelstelle für das Recycling von elektrischen und elektronischen Geräten. Falls die Geräte Batterien oder Lampen enthalten, die vom Endverbraucher ohne Beschädigung leicht entnommen werden können, trennen Sie diese bitte vor der Entsorgung von den Hauptgeräten, es sei denn, Sie möchten, dass die alten Geräte wiederverwendet werden (alte Batterien und Lampen werden getrennt gesammelt). Bitte beachten Sie auch, dass Sie persönlich dafür verantwortlich sind, personenbezogene Daten auf dem Gerät zu löschen, bevor Sie Ihre Geräte entsorgen.
  - Alte elektrische Produkte können gefährliche Substanzen enthalten, die eine korrekte Entsorgung dieser Altgeräte erforderlich machen, um schädliche Auswirkungen auf die Umwelt und die menschliche Gesundheit zu vermeiden. Ihre ausgedienten Geräte können wiederverwendbare Teile enthalten, mit denen möglicherweise andere Produkte repariert werden können, aber auch sonstige wertvolle Materialien enthalten, die zur Schonung knapper Ressourcen recycelt werden können.
  - Sie können Ihr Gerät entweder in den Laden zurückbringen, in dem Sie das Produkt ursprünglich erworben haben oder Sie kontaktieren Ihre Gemeindeabfallstelle für Informationen über die nächstgelegene autorisierte WEEE Sammelstelle. Bitte beachten Sie, dass einige\* Vertrieber verpflichtet sind :
    - bei der Abgabe eines neuen Elektro- oder Elektronikgerätes an einen Endnutzer ein Altgerätes des Endnutzers der gleichen Geräteart unentgeltlich zurückzunehmen, und
    - Altgeräte, die in keiner äußeren Abmessung größer als 25 Zentimeter sind, im Einzelhandelsgeschäft oder in unmittelbarer Nähe hierzu unentgeltlich zurückzunehmen; Wenn Offline oder Online Händler Neugeräte an Privathaushalte liefern, sind sie verpflichtet, Altgeräte direkt bei diesen abzuholen oder Rückgabemöglichkeiten in zumutbarer Entfernung anzubieten. Daher empfehlen wir Ihnen sich für weitere Informationen an Ihren Händler zu wenden.
  - LG Electronic Deutschland GmbH ist ordnungsgemäß als Hersteller in Deutschland registriert. Damit trägt LG deutschlandweit zur Sammlung von Elektro- und Elektronik-Altgeräten bei, die Sie in kommunalen Getrenntsammlstellen abgeben. Die aktuellsten Informationen finden Sie unter: [www.lg.com/global/recycling](http://www.lg.com/global/recycling) oder <https://www.lg.com/de/support/altgeraete-rueckgabe>.
- \* Vertrieber mit einer Verkaufsfläche für Elektro- und Elektronikgeräte von mindestens 400 Quadratmetern sowie Vertrieber von Lebensmitteln mit einer Gesamtverkaufsfläche von mindestens 800 Quadratmetern, die Elektro- und Elektronikgeräte anbieten



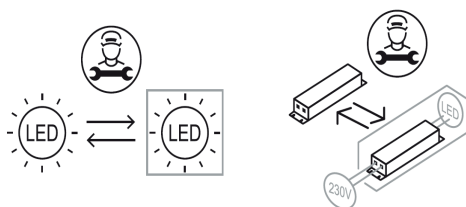
## Kundenbetreuung und Hilfe

Kontaktieren Sie den Kundendienst von LG Electronics.

- Informationen zum autorisierten Servicecenter von LG finden Sie auf unserer Webseite unter [www.lg.com](http://www.lg.com)
- Nur qualifiziertes Servicepersonal vom autorisierten Servicecenter von LG darf das Gerät zerlegen, reparieren oder modifizieren.
- Die Mindestgarantiezeit für dieses Kühlgerät beträgt 24 Monate.
- Wenden Sie sich zum Kauf von Ersatzteilen an den Kundendienst von LG Electronics oder an unsere Webseite unter [www.lg.com](http://www.lg.com).
- Ersatzteile, auf die in Verordnung EU 2019/2019 Bezug genommen wird, sind 7 Jahre langleblich (nur Türdichtungen sind 10 Jahre lang erhältlich).

## HINWEIS

- Weitere Informationen über die Energieeffizienz des Geräts finden Sie unter <https://ec.europa.eu>. Suchen Sie dabei nach dem Modellnamen (gültig ab 1. März 2021).
- Die EU-Verordnung 2019/2019, gültig ab 1. März 2021, bezieht sich auf die Energieeffizienzklassen durch die EU-Verordnung 2019/2016.
- Scannen Sie den QR-Code auf dem mit dem Gerät gelieferten Energielabel, das einen Weblink zu den Informationen über die Effizienz des Geräts in der EU EPREL-Datenbank enthält. Bewahren Sie das Energielabel zum späteren Nachschlagen zusammen mit allen anderen mit dem Gerät gelieferten Dokumenten auf (gültig ab 1. März 2021).
- Auf dem Typenschild des Geräts ist der Modellname angegeben.
- Dieses Produkt enthält eine Lichtquelle der Energieeffizienzklasse G.





ΕΓΧΕΙΡΙΔΙΟ ΧΡΗΣΤΗ

# ΨΥΓΕΙΟ ΚΑΤΑΨΥΚΤΗΣ

**Διαβάστε προσεκτικά το παρόν εγχειρίδιο χρήστη πριν θέσετε σε λειτουργία τη συσκευή και φυλάξτε το σε προσβάσιμο σημείο για αναφορά ανά πάσα στιγμή.**

[www.lg.com](http://www.lg.com)

Ανατρέξτε στο εγχειρίδιο χρήστη στον ιστότοπο της LG για πιο λεπτομερείς πληροφορίες.  
Copyright © 2019-2023 LG Electronics Inc. All Rights Reserved

# ΠΙΝΑΚΑΣ ΠΕΡΙΕΧΟΜΕΝΩΝ

Το εγχειρίδιο αυτό μπορεί να περιέχει  
εικόνες ή περιεχόμενο διαφορετικό από το  
μοντέλο που αγοράσατε.

Το εγχειρίδιο υπόκειται σε αναθεώρηση  
από τον κατασκευαστή.

<b>ΟΔΗΓΙΕΣ ΑΣΦΑΛΕΙΑΣ .....</b>	<b>3</b>
ΣΗΜΑΝΤΙΚΕΣ ΟΔΗΓΙΕΣ ΑΣΦΑΛΕΙΑΣ .....	3
<b>ΕΓΚΑΤΑΣΤΑΣΗ .....</b>	<b>10</b>
Διαστάσεις και Αποστάσεις .....	10
Θερμοκρασία Περιβάλλοντος .....	10
<b>ΛΕΙΤΟΥΡΓΙΑ .....</b>	<b>11</b>
Σημειώσεις για λειτουργία .....	11
Μετατροπές φρέσκου ( * ) .....	12
Συρτάρι φρέσκων λαχανικών ( * ) .....	13
Πίνακας Ελέγχου .....	15
<b>ΕΞΥΠΝΕΣ ΛΕΙΤΟΥΡΓΙΕΣ .....</b>	<b>17</b>
Εφαρμογής LG ThinQ .....	17
<b>ΣΥΝΤΗΡΗΣΗ .....</b>	<b>19</b>
Σημειώσεις σχετικά με το καθάρισμα .....	19
Απόρριψη της παλιάς σας συσκευής .....	19
<b>ΕΠΙΛΥΣΗ ΠΡΟΒΛΗΜΑΤΩΝ .....</b>	<b>20</b>

## Πρόσθετες πληροφορίες σχετικά με το εγχειρίδιο

Αυτή είναι η σύντομη έκδοση του εγχειριδίου  
του ιδιοκτήτη. Για περισσότερες πληροφορίες  
παρακαλούμε επισκεφθείτε την ιστοσελίδα της  
LG στη διεύθυνση <http://www.lg.com>


## Επιλυση προβληματος



Οι παρακάτω οδηγίες ασφαλείας προορίζονται για να αποτραπούν απρόβλεπτοι κίνδυνοι ή βλάβη από μη ασφαλή ή λανθασμένη λειτουργία του προϊόντος.

Οι οδηγίες διαχωρίζονται με τις ενδείξεις

«ΠΡΟΕΙΔΟΠΟΙΗΣΗ» και «ΠΡΟΣΟΧΗ», όπως περιγράφεται παρακάτω.

 Το σύμβολο αυτό εμφανίζεται για να υποδείξει ζητήματα και λειτουργίες που μπορεί να προκαλέσουν κίνδυνο. Διαβάστε το τμήμα με αυτό το σύμβολο προσεκτικά και ακολουθήστε τις οδηγίες ούτως ώστε να αποτραπεί κίνδυνος.

### ΠΡΟΕΙΔΟΠΟΙΗΣΗ

Η ένδειξη αυτή υποδεικνύει ότι η μη τήρηση των οδηγιών μπορεί να προκαλέσει σοβαρό τραυματισμό ή θάνατο.

### ΠΡΟΣΟΧΗ

Η ένδειξη αυτή υποδεικνύει ότι η μη τήρηση των οδηγιών μπορεί να προκαλέσει μικροτραυματισμό ή ζημιά στο προϊόν.

## ΣΗΜΑΝΤΙΚΕΣ ΟΔΗΓΙΕΣ ΑΣΦΑΛΕΙΑΣ

### ΠΡΟΕΙΔΟΠΟΙΗΣΗ

Για να ελαττώσετε τον κίνδυνο έκρηξης, πυρκαγιάς, θανάτου, ηλεκτροπληξίας, τραυματισμού ή εγκαύματος ατόμων που χρησιμοποιούν το προϊόν, λαμβάνετε τις βασικές προφυλάξεις, συμπεριλαμβανομένων των παρακάτω:

#### Παιδιά στο σπίτι

- Η συσκευή αυτή δεν προορίζεται για χρήση από άτομα (συμπεριλαμβανομένων παιδιών) με μειωμένες φυσικές, αισθητικές ή πνευματικές ικανότητες ή έλλειψη εμπειρίας και γνώσης εκτός και αν βρίσκονται υπό επιτήρηση ή καθοδήγηση σχετικά με τη χρήση της συσκευής από κάποιο άτομο που είναι υπεύθυνο για την ασφάλειά τους. Τα παιδιά πρέπει να επιτηρούνται για να διασφαλιστεί ότι δεν παίζουν με τη συσκευή.
- Σε περίπτωση που η ηλεκτρική συσκευή διαθέτει κλειδαριά (μόνον ορισμένα μοντέλα), διατηρείτε το κλειδί μακριά από παιδιά.

### **Για χρήση στην Ευρώπη:**

- Αυτή η συσκευή μπορεί να χρησιμοποιηθεί από παιδιά ηλικίας από 8 ετών και άνω και άτομα με μειωμένες φυσικές, ψυχικές ή πνευματικές ικανότητες ή έλλειψη εμπειρίας και γνώσης αν υπάρχει επίβλεψη ή οδηγίες όσον αφορά τη χρήση της συσκευής με ασφαλή τρόπο και κατανόηση των εμπλεκόμενων κινδύνων. Τα παιδιά δεν πρέπει να παίζουν με τη συσκευή. Ο καθαρισμός και η συντήρηση δεν θα πρέπει να γίνεται από παιδιά χωρίς επιτήρηση.

- Τα παιδιά ηλικίας 3 έως 8 ετών επιτρέπεται να χρησιμοποιούν ψυγεία.

### **Εγκατάσταση**

- Η μεταφορά της παρούσας ηλεκτρικής συσκευής θα πρέπει να γίνεται από δύο ή περισσότερα άτομα τα οποία θα την κρατούν με ασφαλή τρόπο.

- Βεβαιωθείτε ότι η πρίζα είναι σωστά γειωμένη και ότι ο πείρος γείωσης στο καλώδιο ρεύματος δεν έχει υποστεί βλάβη ούτε έχει αφαιρεθεί από τον ρευματοδότη. Για περισσότερες λεπτομέρειες για την τοποθέτηση στο έδαφος ρωτήστε το κέντρο πληροφόρησης της LG Electronics.

- Η συσκευή είναι εξοπλισμένη με ένα καλώδιο ρεύματος που διαθέτει αγωγό γείωσης του εξοπλισμού και βύσμα γείωσης. Το βύσμα πρέπει να συνδεθεί σε κατάλληλη πρίζα η οποία έχει εγκατασταθεί και γειωθεί σύμφωνα με όλους τους τοπικούς κανόνες και διατάξεις.

- Εάν το καλώδιο ρεύματος έχει υποστεί βλάβη ή η οπή της πρίζας είναι χαλαρή, μην χρησιμοποιήσετε το καλώδιο ρεύματος και επικοινωνήστε με ένα εξουσιοδοτημένο κέντρο εξυπηρέτησης.

- Μην συνδέετε τη συσκευή σε πολύπριζο τοίχου που δεν διαθέτει καλώδιο τροφοδοσίας (επιτοίχιο).

- Μην τροποποιείτε ούτε να επεκτείνετε το καλώδιο ρεύματος.

- Η σύνδεση της συσκευής θα πρέπει να γίνεται μέσω αποκλειστικής γραμμής ρεύματος που διαθέτει ξεχωριστή ασφάλεια τήξεως.

- Μην χρησιμοποιείτε πολύπριζο χωρίς κατάλληλη γείωση (φορητό). Σε περίπτωση χρήσης πολύπριζου (φορητού) με κατάλληλη γείωση, χρησιμοποιείτε πολύπριζο με ικανότητα ρευματοδοσίας της τάξης της ενεργειακής κατάταξης ή υψηλότερη και χρησιμοποιείτε το αποκλειστικά για τη συσκευή.

- Εγκαταστήστε τη συσκευή σε ένα μέρος όπου είναι εύκολο να βγάλετε τον ρευματοδότη από τη συσκευή.

- Προσέχετε να μην στρέψετε τον ρευματοδότη προς τα επάνω ούτε να αφήνετε τη συσκευή να γέρνει επάνω στον ρευματοδότη.
- Εγκαταστήστε τη συσκευή σε ένα σταθερό και επίπεδο πάτωμα.
- Μην εγκαθιστάτε τη συσκευή σε χώρο με υγρασία και σκόνη. Μην εγκαθιστάτε ούτε να φυλάσσετε τη συσκευή σε κάποιον εξωτερικό χώρο ή σε χώρο εκτεθειμένο σε καιρικές συνθήκες όπως άμεσο ηλιακό φως, αέρας ή βροχή ή σε θερμοκρασίες κάτω του παγετού.
- Μην τοποθετείτε τη συσκευή σε άμεσο ηλιακό φως ούτε να την εκθέτετε σε θερμότητα από συσκευές θέρμανσης όπως φούρνους ή καλοριφέρ.
- Προσέχετε να μην εκθέτετε το πίσω μέρος της συσκευής κατά την εγκατάσταση.
- Προσέχετε να μην αφήσετε την πόρτα της συσκευής να πέσει κατά τη συναρμολόγηση ή την αποσυναρμολόγηση.
- Προσέχετε να μην τρυπήσετε, συνθλίψετε ή καταστρέψετε το καλώδιο ρεύματος κατά τη διάρκεια της συναρμολόγησης ή αποσυναρμολόγησης της πόρτας της συσκευής.
- Μην συνδέετε αντάππορα πρίζας ή άλλα αξεσουάρ στο καλώδιο ρεύματος.

### **Λειτουργία**

- Μην χρησιμοποιείτε τη συσκευή για οποιονδήποτε σκοπό (αποθήκευση ιατρικών ή πειραματικών υλικών ή αποστολή) εκτός από οποιαδήποτε οικιακή χρήση αποθήκευσης τροφίμων.
- Αφαιρέστε τον ρευματοδότη κατά τη διάρκεια σοβαρής καταιγίδας ή αστραπών ή όταν δεν πρόκειται να τη χρησιμοποιήσετε για μεγάλη χρονική περίοδο.
- Μην αγγίζετε τον ρευματοδότη ή τα χειριστήρια της συσκευής με βρεγμένα χέρια.
- Μην λυγίζετε υπερβολικά το καλώδιο ρεύματος ούτε να τοποθετείτε κάποιο βαρύ αντικείμενο επάνω του.
- Εάν το νερό διεισδύσει στα ηλεκτρικά μέρη της συσκευής, αποσυνδέστε τον ρευματοδότη και επικοινωνήστε με ένα κέντρο πληροφόρησης πελατών της LG Electronics.
- Μην τοποθετείτε χέρια ή μεταλλικά αντικείμενα στο εσωτερικό της περιοχής που εκπέμπει τον κρύο αέρα, ούτε να καλύπτετε ή να θερμαίνετε τη σχάρα απελευθέρωσης στην πλάτη.
- Μην ασκείτε υπερβολική δύναμη ή δυνάμεις στο πίσω κάλυμμα της συσκευής.
- Μην τοποθετείτε ζώα, όπως κατοικίδια στη συσκευή.

- Προσέχετε τα παιδιά που μπορεί να βρίσκονται σε κοντινή απόσταση όταν ανοίγετε ή κλείνετε την πόρτα της συσκευής. Η πόρτα μπορεί να χτυπήσει το παιδί και να προκαλέσει τραυματισμό. Μην επιτρέπτε σε άλλα άτομα να κρεμιούνται από τις πόρτες καθώς μπορεί να προκληθεί ανατροπή και να προκληθεί σοβαρός τραυματισμός.
- Αποφύγετε τον κίνδυνο να παγιδευτούν παιδιά στο εσωτερικό της συσκευής. Εάν κάποιο παιδί παγιδευτεί στο εσωτερικό της συσκευής, μπορεί να πάθει ασφυξία.
- Μην συνδέετε βαριά ή εύθραυστα αντικείμενα, δοχεία γεμάτα με υγρά, εύφλεκτα υλικά και αντικείμενα (όπως κερία, λάμπες, κλπ), ή συσκευές θέρμανσης (όπως σόμπες, θερμάστρες, κλπ) στη συσκευή.
- Σε περίπτωση διαρροής αερίου (ισοβουτάνιο, προπάνιο, φυσικό αέριο κ.λπ.), μην αγγίζετε τη συσκευή ή τον ρευματοδότη και αερίστε τον χώρο αμέσως. Αυτή η ηλεκτρική συσκευή χρησιμοποιεί ψυκτικό αέριο (ισοβουτάνιο, R600a). Παρότι η ποσότητα του αερίου είναι μικρή, εξακολουθεί να πρόκειται για εύφλεκτο αέριο. Η διαρροή αερίου κατά τη μεταφορά, την εγκατάσταση ή τη λειτουργία της συσκευής μπορεί να προκαλέσει πυρκαγιά, έκρηξη ή τραυματισμό, εάν προκληθούν σπινθήρες.
- Μην χρησιμοποιείτε ή αποθηκεύετε εύφλεκτες ή εκρηκτικές ουσίες (αιθέρα, βενζίνη, οινόπνευμα, χημικά, LPG, εύφλεκτο σπρέι, εντομοκτόνο, αρωματικό αέρα, αρώματα, κ.λπ.) κοντά στη συσκευή.
- Βγάλτε αμέσως τον ρευματοδότη και επικοινωνήστε με ένα κέντρο πληροφόρησης πελατών της LG Electronics, εάν εντοπίσετε κάποιον παράξενο ήχο, οσμή ή καπνό να βγαίνει από τη συσκευή.
- Γεμίστε με πόσιμο νερό μόνον τον παρασκευαστή πάγου ή τη δεξαμενή νερού του διανομέα.
- Μην καταστρέφετε το κύκλωμα ψυκτικού.
- Μην τοποθετείτε κάποια ηλεκτρονική συσκευή (όπως καλοριφέρ και κινητό τηλέφωνο) στο εσωτερικό της συσκευής.

### **Συντήρηση**

- Αποσυνδέστε το καλώδιο ρεύματος πριν καθαρίσετε τη συσκευή ή πριν αντικαταστήσετε την εσωτερική λυχνία (όπου διατίθεται).
- Τοποθετήστε με ασφάλεια τον ρευματοδότη στην πρίζα αφού αφαιρέσετε εντελώς τυχόν υγρασία και σκόνη.
- Μην αφαιρείτε ποτέ το βύσμα της συσκευής τραβώντας το καλώδιο ρεύματος. Πάντα να πιάνετε σταθερά τον ρευματοδότη και να τραβάτε από την πρίζα.

- Μην ψεκάζετε νερό ή εύφλεκτες ουσίες (οδοντόπαστες, αλκοόλ, βενζίνη, ασετόν, εύφλεκτα υγρά, διαβρωτικά, κλπ) στο εσωτερικό ή εξωτερικό της συσκευής για να την καθαρίσετε.
- Μην καθαρίζετε τη συσκευή με βούρτσες, πανιά ή σφουγγάρια με σκληρές επιφάνειες ή τα οποία είναι κατασκευασμένα από μεταλλικό υλικό.
- Μόνον εξειδικευμένο προσωπικό σέρβις από το κέντρο εξυπηρέτησης της LG Electronics θα πρέπει να αποσυναρμολογεί, επιδιορθώνει ή τροποποιεί τη συσκευή. Επικοινωνήστε με ένα κέντρο πληροφόρησης πελατών της LG Electronics, εάν μετακομίσετε και εγκαταστήσετε τη συσκευή σε διαφορετικό μέρος.
- Μην χρησιμοποιείτε πιστολάκι για να στεγνώσετε το εσωτερικό της συσκευής ούτε να τοποθετείτε κερί στο εσωτερικό για να αφαιρεθούν οι οσμές.
- Μη χρησιμοποιείτε μηχανικές διατάξεις ή άλλα μέσα για την επιτάχυνση της διαδικασίας απόψυξης.

### **Απόρριψη**

- Κατά την απόρριψη της συσκευής, αφαιρέστε τη φλάντζα της πόρτας, ενώ αφήνετε τα ράφια και τα καλάθια στη θέση τους και κρατήστε τα παιδιά μακριά από τη συσκευή.
- Απορρίψτε όλα τα υλικά συσκευασίας (όπως πλαστικές σακούλες και Styrofoam) μακριά από τα παιδιά. Τα υλικά συσκευασίας μπορεί να προκαλέσουν ασφυξία.

### **Τεχνική Ασφάλεια**

- Να μην φράσσονται τα ανοίγματα του ανεμιστήρα στο περίβλημα της συσκευής ή στην δομή που το περιβάλλει.
- Μη χρησιμοποιείτε ηλεκτρικές συσκευές στο εσωτερικό του ψυγείου.
- Το ψυκτικό και το αέριο διόγκωσης της μόνωσης που χρησιμοποιείται στη συσκευή απαιτεί ειδικές διαδικασίες απόρριψης. Συμβουλευτείτε τον αντιπρόσωπο σέρβις ή ένα ομοίως εξειδικευμένο άτομο πριν τα απορρίψετε.
- Ψυκτικό που διαρρέει από τους σωλήνες θα μπορούσε να προκαλέσει ανάφλεξη ή ακόμα και έκρηξη.
- Η ποσότητα του ψυκτικού στη συγκεκριμένη συσκευή σας υποδεικνύεται στην πινακίδα στοιχείων στο εσωτερικό της συσκευής.



- Μην ξεκινάτε ποτέ μία συσκευή που παρουσιάζει τυχόν ενδείξεις βλάβης. Αν έχετε αμφιβολίες συμβουλευτείτε τον αντιπρόσωπό σας.
- Η παρούσα συσκευή προορίζεται μόνον για οικιακή ή παρόμοια χρήση. Δεν θα πρέπει να χρησιμοποιείται για εμπορικούς σκοπούς ή για κέτερινγκ ή σε οποιαδήποτε κινούμενη εφαρμογή όπως τροχόσπιτα ή σκάφη.
- Μην αποθηκεύετε εκρηκτικές ουσίες όπως σπρέι με εύφλεκτο προωθητικό σε αυτή τη συσκευή.
- Αυτό το ψυγείο δεν προορίζεται να χρησιμοποιηθεί ως εντοιχιζόμενη συσκευή.

### Κίνδυνος πυρκαγιάς και εύφλεκτα υλικά



Το σύμβολο αυτό σας προειδοποιεί για την ύπαρξη εύφλεκτων υλικών τα οποία μπορεί να αναφλεγούν και να προκαλέσουν πυρκαγιά σε περίπτωση αμέλειας.

- Αυτή η ηλεκτρική συσκευή περιέχει μια μικρή μεν ποσότητα ψυκτικού ισοβουτανίου (R600a), το οποίο όμως είναι εύφλεκτο. Κατά τη μεταφορά και την εγκατάσταση της συσκευής, λαμβάνετε μέριμνα ώστε να μην υποστεί ζημιά κάποιο από τα εξαρτήματα του κυκλώματος ψύξης.
- Εάν εντοπιστεί διαρροή, αποφύγετε τυχόν γυμνές φλόγες ή πιθανές πηγές ανάφλεξης και τον αέρα στο δωμάτιο στο οποίο βρίσκεται η συσκευή για αρκετά λεπτά. Για να αποτραπεί η δημιουργία ενός εύφλεκτου μείγματος αερίων, εάν επέλθει κάποια διαρροή στο ψυκτικό κύκλωμα, το μέγεθος του δωματίου στο οποίο χρησιμοποιείται η συσκευή θα πρέπει να ανταποκρίνεται στην ποσότητα ψυκτικού που χρησιμοποιείται. Το δωμάτιο πρέπει να έχει μέγεθος 1 m<sup>2</sup> για κάθε 8 g ψυκτικού R600a μέσα στη συσκευή.
- Κατά την τοποθέτηση της συσκευής, διασφαλίστε ότι το καλώδιο τροφοδοσίας δεν έχει καταστραφεί ή μαγκωθεί σε κάποιο σημείο.
- Μην τοποθετείτε πολλά φορητά πολύπριζα ή φορητά τροφοδοτικά στο πίσω μέρος της συσκευής.

### ΠΡΟΣΟΧΗ

**Για να μειωθεί ο κίνδυνος μικροτραυματισμού σε άτομα, δυσλειτουργίας ή βλάβης στο προϊόν ή στην παρουσία κατά τη χρήση του προϊόντος, τηρείτε τα βασικά προληπτικά μέτρα ασφαλείας, συμπεριλαμβανομένων των παρακάτω:**

## **Εγκατάσταση**

- Μην γέρνετε τη συσκευή για να την τραβήξετε ή να την σπρώξετε όταν τη μεταφέρετε.
- Βεβαιωθείτε ότι δεν παρεμβάλλεται μέλος του σώματος όπως χέρια ή πόδια ενώ μετακινείται η συσκευή.

## **Λειτουργία**

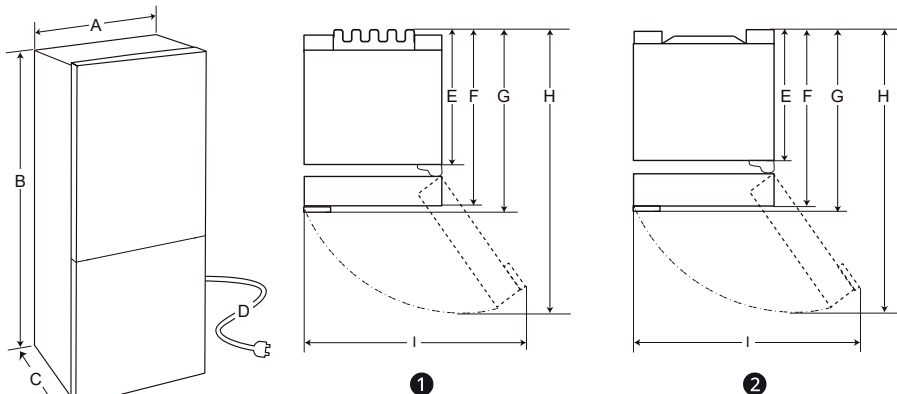
- Μην αγγίζετε κατεψυγμένα τρόφιμα ή μεταλλικά μέρη στο διαμέρισμα του καταψύκτη με βρεγμένα ή υγρά χέρια. Μπορεί να προκληθεί κρουπάγημα.
- Μην τοποθετείτε γυάλινα δοχεία, μπουκάλια ή τενεκεδάκια (ειδικά αυτά που περιέχουν ανθρακικό) στο εσωτερικό του καταψύκτη, στα ράφια ή στον κάδο πάγου όπου μπορεί να εκτεθούν σε θερμοκρασίες χαμηλότερες από αυτές της πήξης.
- Το σκληρυμένο γυαλί στην πρόσοψη της πόρτας της συσκευής ή των ραφιών μπορεί να υποστεί ζημιά από τυχόν κρούση. Σε περίπτωση που σπάσει, μην το αγγίζετε με τα χέρια σας.
- Μην κρεμιέστε από τις πόρτες της συσκευής, τον χώρο αποθήκευσης, το ράφι ούτε να σκαρφαλώνετε επάνω τους.
- Μη φυλάσσετε υπερβολική ποσότητα μπουκαλιών με νερό ή συνοδευτικές σάλτσες στα καλάθια της πόρτας.
- Μην αφήνετε ζώα να παίζουν στο καλώδιο ρεύματος ή τον σωλήνα νερού.
- Μην ανοίγετε ούτε να κλείνετε την πόρτα της συσκευής με υπερβολική δύναμη.
- Εάν ο αρμός της πόρτας του προϊόντος υποστεί βλάβη ή λειτουργεί λανθασμένα, σταματήστε να τον χρησιμοποιείτε και επικοινωνήστε με ένα κέντρο εξυπηρέτησης της LG Electronics.
- Μην καθαρίζετε τα γυάλινα ράφια ή καλύμματα με ζεστό νερό όταν είναι κρύα.
- Μην τρώτε ποτέ κατεψυγμένα τρόφιμα αμέσως αφού βγουν από το διαμέρισμα του καταψύκτη.
- Βεβαιωθείτε ότι δεν παρεμβάλλετε χέρια ή πόδια ενώ ανοίγετε ή κλείνετε την πόρτα της συσκευής.

## **Συντήρηση**

- Μην τοποθετείτε τα ράφια ανάποδα (το πάνω, κάτω). Ενδέχεται να πέσουν.
- Για να αφαιρεθεί πάγος από τη συσκευή, επικοινωνήστε με ένα κέντρο πληροφόρησης πελατών της LG Electronics.

## Διαστάσεις και Αποστάσεις

Υπερβολικά μικρή απόσταση από γειτονικά αντικείμενα μπορεί να οδηγήσει σε υποβάθμιση της ικανότητας ψύξης και αυξημένο κόστος ηλεκτρισμού. Αφήνετε απόσταση μεγαλύτερη από 50 mm από κάθε παρακείμενο τοίχο όταν εγκαθιστάτε τη συσκευή.



	1		2	
	Μέγεθος [mm]			
	Λαβή με εσοχή	Λαβή μπάρας	Λαβή με εσοχή	Λαβή μπάρας
A	595	595	595	595
B	1 860 / 2 030	1 860 / 2 030	1 860 / 2 030	1 860 / 2 030
C	682	718	675	712
D	2 100	2 100	2 100	2 100
E	616	616	610	610
F	682	682	675	675
G	-	718	-	712
H	1 230	1 237	1 225	1 232
I	995	995	995	995

### ΣΗΜΕΙΩΣΗ

- Οι μετρήσεις στον παραπάνω πίνακα είναι κατά προσέγγιση.

## Θερμοκρασία Περιβάλλοντος

- Η συσκευή έχει σχεδιαστεί να λειτουργεί σε περιορισμένο εύρος θερμοκρασιών περιβάλλοντος, ανάλογα με την κλιματική ζώνη.
- Οι εσωτερικές θερμοκρασίες θα μπορούσαν να επηρεαστούν από τη θέση της συσκευής, τη θερμοκρασία περιβάλλοντος, τη συχνότητα με την οποία ανοίγει η πόρτα και ούτω καθεξής.
- Η κατηγορία κλίματος βρίσκεται στην πινακίδα κατάταξης.

Κατηγορία Κλίματος	Εύρος Θερμοκρασίας Περιβάλλοντος °C
SN (Εκτεταμένη θερμοκρασία)	+10 - +32
N (Θερμοκρασία)	+16 - +32
ST (Υποτροπικό)	+16 - +38
T (Τροπικό)	+16 - +43 / +10 - +43*

\*Αυστραλία, Ινδία, Κένυα

### ΣΗΜΕΙΩΣΗ

Οι συσκευές με σήμανση από SN ως T προορίζονται για χρήση σε θερμοκρασία περιβάλλοντος μεταξύ 10 °C και 43 °C.

## Σημειώσεις για λειτουργία

- Οι χρήστες θα πρέπει να έχουν κατά νου ότι μπορεί να διαμορφωθεί πάγος εάν η πόρτα δεν είναι εντελώς κλειστή, εάν η υγρασία είναι υψηλή κατά τη διάρκεια του καλοκαιριού ή εάν η πόρτα του καταψύκτη ανοίγει συχνά.
- Βεβαιωθείτε ότι υπάρχει αρκετός χώρος ανάμεσα στα αποθηκευμένα τρόφιμα στο ράφι ή το καλάθι της πόρτας ώστε να μπορεί να κλείσει εντελώς η πόρτα.
- Το άνοιγμα της πόρτας για μεγάλες χρονικές περιόδους μπορεί να προκαλέσει σημαντική αύξηση της θερμοκρασίας στο εσωτερικό της συσκευής.
- Αν το ψυγείο παραμείνει άδειο για μεγάλο χρονικό διάστημα, απενεργοποιήστε, ξεπαγώστε, καθαρίστε και στεγνώστε το ψυγείο και αφήστε την πόρτα ανοικτή για να αποφύγετε την ανάπτυξη μούχλας στο εσωτερικό του.

## Πρόταση για εξοικονόμηση ενέργειας

- Βεβαιωθείτε ότι υπάρχει αρκετός χώρος ανάμεσα σε αποθηκευμένα τρόφιμα. Αυτό επιτρέπει στον κρύο αέρα να κυκλοφορεί ομοιόμορφα και χαμηλώνει τους λογαριασμούς του ηλεκτρικού.
- Αποθηκεύετε καυτά τρόφιμα μόνον αφού κρυώσουν ούτως ώστε να αποτραπεί ο σχηματισμός δρόσου ή πάγου.
- Κατά την αποθήκευση τροφίμων στον καταψύκτη, ορίστε τη θερμοκρασία του καταψύκτη σε χαμηλότερα επίπεδα από τη θερμοκρασία που υποδεικνύεται στα τρόφιμα.
- Μην τοποθετείτε τα τρόφιμα κοντά στον αισθητήρα θερμοκρασίας του ψυγείου. Διατηρείτε απόσταση τουλάχιστον 3 cm από τον αισθητήρα.
- Λάβετε υπόψη ότι οι προδιαγραφές της συσκευής επιτρέπουν ένα εύρος αύξησης της θερμοκρασίας μετά από την απόψυξη. Εάν θέλετε να ελαχιστοποιήσετε την επίδραση που μπορεί να έχει αυτό στην αποθήκευση τροφίμων λόγω αύξησης της θερμοκρασίας, σφραγίστε ή τυλίξτε το αποθηκευμένο τρόφιμο σε πολλές στρώσεις.
- Το αυτόματο σύστημα απόψυξης στη συσκευή διασφαλίζει ότι δεν συσσωρεύεται πάγος στον θάλαμο υπό φυσιολογικές συνθήκες λειτουργίας.
- Για την αποδοτικότερη χρήση ενέργειας, διατηρήστε όλα τα εσωτερικά μέρη (π.χ. ράφια της πόρτας, συρτάρια και ράφια) στην αρχική τους θέση.

- Μη ρυθμίζετε τη θερμοκρασία της συσκευής χαμηλότερα από ό,τι χρειάζεται.

## Αποτελεσματική αποθήκευση τροφίμων

- Αποθηκεύετε κατεψυχθέντα τρόφιμα ή ψυχθέντα τρόφιμα σε στεγανά δοχεία.
- Ελέγξτε την ημερομηνία λήξης και την ετικέτα (οδηγίες αποθήκευσης) πριν αποθηκεύσετε τρόφιμα στη συσκευή.
- Μην αποθηκεύετε τρόφιμα για μεγάλο χρονικό διάστημα, εάν χαλάνε εύκολα σε χαμηλή θερμοκρασία.
- Τοποθετήστε το ψυχθέν τρόφιμο ή το κατεψυγμένο τρόφιμο στο εσωτερικό κάθε ψυγείου ή καταψύκτη αμέσως μετά την αγορά.
- Να αποθηκεύετε ωμό κρέας και ψάρι στα κατάλληλα διαμερίσματα του ψυγείου, έτσι ώστε να μην έρχονται σε επαφή με άλλα τρόφιμα.
- Αποφύγετε την επανακατάψυξη οποιουδήποτε τροφίμου που έχει λιώσει εντελώς. Με την εκ νέου κατάψυξη κάποιου τροφίμου το οποίο έχει λιώσει εντελώς θα υποβαθμιστεί η γεύση και η θρεπτική αξία του.
- Μην τυλίγετε και μην αποθηκεύετε λαχανικά με εφημερίδες. Το τυπωμένο υλικό της εφημερίδας ή άλλες ξένες ουσίες μπορεί διαβραχούν και να μολυνθούν από τα να τρόφιμα.
- Μην παραγεμίζετε τη συσκευή. Αν η συσκευή είναι παραγεμισμένη, ο κρύος αέρας δεν μπορεί να κυκλοφορήσει σωστά.
- Εάν ορίσετε υπερβολικά χαμηλή θερμοκρασία για τα τρόφιμα, μπορεί να παγώσουν. Μην ορίζετε θερμοκρασία χαμηλότερη από την απαιτούμενη θερμοκρασία για να αποθηκευτεί σωστά το τρόφιμο.
- Για περισσότερο χώρο, μπορείτε να αφαιρέσετε το ράφι μπουκαλιών, την αβγοθήκη, τον δίσκο πάγου και το συρτάρι του μετατροπέα φρεσκάδας.
- Το φαγητό μπορεί να καταψυχθεί ή να χαλάσει εάν αποθηκευτεί σε λάθος θερμοκρασία. Ρυθμίστε το ψυγείο στη σωστή θερμοκρασία για τα τρόφιμα που αποθηκεύονται.

## Μέγ. ικανότητα κατάψυξης

- Η λειτουργία Ταχεία Κατάψυξη θα θέσει τον καταψύκτη στη μέγιστη δυνατότητα ψύξης του. Συνήθως, αυτή διαρκεί έως 24 ώρες και θα απενεργοποιηθεί αυτόματα.
- Εάν πρέπει να χρησιμοποιηθεί η μέγιστη ικανότητα κατάψυξης, η λειτουργία Ταχεία Κατάψυξη θα πρέπει να είναι ενεργοποιημένη για επτά ώρες πριν από την τοποθέτηση νωπών προϊόντων στον κατάψυξη.

## Ψύξη της μέγιστης ποσότητας τροφίμων

- Για να λάβετε καλύτερη κυκλοφορία αέρα, εισάγετε όλα τα συρτάρια.
- Εάν πρόκειται να αποθηκεύσετε μεγάλες ποσότητες τροφίμων, θα πρέπει να βγάλετε όλα τα συρτάρια του καταψύκτη από τη συσκευή και τα τρόφιμα θα πρέπει να μπουν κατευθείαν στο ράφι (ή στα ράφια) του καταψύκτη.

## ΣΗΜΕΙΩΣΗ

- Για να αφαιρέσετε τα συρτάρια, αφαιρέστε πρώτα τα τρόφιμα από αυτά και, στη συνέχεια, τραβήξτε τα προσεκτικά προς τα έξω. Εάν δεν το κάνετε, μπορεί να προκληθεί τραυματισμός ή ζημιά στα συρτάρια.
- Το σχήμα κάθε συρταριού μπορεί να είναι διαφορετικό, εισάγετε στη σωστή θέση.

## Ρύθμιση της θερμοκρασίας

Έτσι ρυθμίζεται η θερμοκρασία του ψυγείου ή η θερμοκρασία του καταψύκτη.

- Πατήστε το κουμπί **Fridge** ή το κουμπί **Freezer** για να προσαρμόσετε τη θερμοκρασία.
- Η θερμοκρασία μπορεί να ρυθμιστεί
  - Ψυγείο: από 1 °C έως 7 °C
  - Καταψύκτης : από -15 °C έως -23 °C
- Η αρχική θερμοκρασία έχει ρυθμιστεί
  - Ψυγείο: 3 °C
  - Καταψύκτης: -18 °C

Η πραγματική εσωτερική θερμοκρασία διαφέρει ανάλογα με την κατάσταση του τροφίμου, καθώς η ενδεδειγμένη θερμοκρασία είναι μία θερμοκρασία στόχος, όχι η πραγματική θερμοκρασία στο εσωτερικό της συσκευής.

## ΣΗΜΕΙΩΣΗ

- Οι προεπιλεγμένες ρυθμίσεις θερμοκρασίας μπορεί να διαφέρουν ανάλογα με την συσκευή.
- Για βέλτιστη συντήρηση των τροφίμων, συνιστάται η αύξηση ή μείωση κατά 1 °C ή κατά ένα επίπεδο από την προεπιλεγμένη θερμοκρασία για κάθε διαμέρισμα.

- Περιμένετε να περάσουν 2 ή 3 ώρες αφού συνδέσετε τη συσκευή στην πρίζα προτού αποθηκεύσετε φαγητό στη συσκευή.
- Για την παραγωγή πάγου σε κανονικά κλίματα, οι θερμοκρασίες του καταψύκτη θα πρέπει να οριστούν στους -18 °C ή χαμηλότερα.

## Ειδοποίηση υψηλής θερμοκρασίας

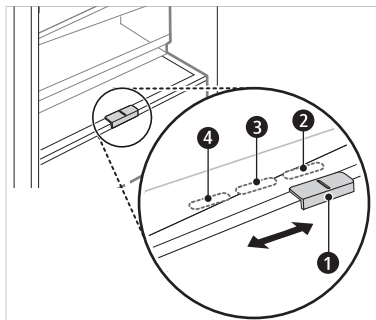
Όταν η θερμοκρασία της κατάψυξης αυξάνεται πάρα πολύ λόγω διακοπής ρεύματος, η λυχνία LED της θερμοκρασίας του καταψύκτη αναβοσβήνει και ακούγεται μια ειδοποίηση.

- Πατήστε το κουμπί **Freezer** για να σταματήσει.
- Εάν η θερμοκρασία κατέβει αρκετά, η λυχνία που αναβοσβήνει και η ειδοποίηση θα σταματήσουν αυτόματα.
- Αυτή η λειτουργία ενεργοποιείται:
  - Όταν είναι αναμμένο το ψυγείο.
  - Όταν η θερμοκρασία του διαμερίσματος καταψύκτη αυξάνεται πολύ.
  - Όταν υπάρχει διακοπή ρεύματος που διαρκεί για μεγάλο χρονικό διάστημα.
  - Όταν τοποθετούνται μεγάλες ποσότητες ζεστού φαγητού στο τμήμα του καταψύκτη.
  - Όταν η πόρτα του καταψύκτη παραμείνει ανοικτή για πολλή ώρα ή ανοίγει πολύ συχνά.

## Μετατροπές φρέσκου ( \* )

Στο διαμέρισμα έντονης ψύξης, μπορείτε να ελέγξετε τη θερμοκρασία στο τμήμα Fresh Converter σύροντας τον μοχλό ①, ο οποίος βρίσκεται μπροστά στο διαμέρισμα, προς οποιαδήποτε κατεύθυνση.

Όταν διατηρείτε λαχανικά μετά τη ρύθμιση για Κρέας ή Ψάρι, μπορεί να προκληθεί ψυχρός τραυματισμός.



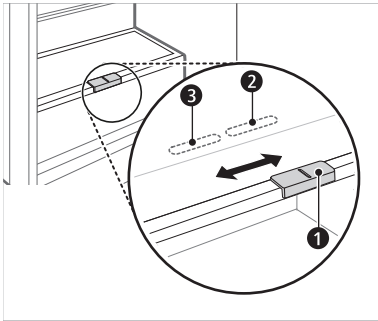
- ② Για την αποθήκευση λαχανικών. (Συνιστάται)
- ③ Για την αποθήκευση ψαριών.
- ④ Για την αποθήκευση κρέατος.

**ΣΗΜΕΙΩΣΗ**

- ( \* ) : Αυτό το χαρακτηριστικό ποικίλλει ανάλογα με το μοντέλο.

**Συρτάρι φρέσκων λαχανικών  
( \* )**

Η υγρασία του τμήματος λαχανικών μπορεί να ρυθμιστεί μετακινώντας το κουμπί ❶.



- ❷ Για την αποθήκευση λαχανικών.  
(Συνιστάται)
- ❸ Για την αποθήκευση φρούτων.

**ΣΗΜΕΙΩΣΗ**

- ( \* ) : Αυτό το χαρακτηριστικό ποικίλλει ανάλογα με το μοντέλο.

## Διαμερίσματα αποθήκευσης τροφίμων

### Αποθήκευση τροφίμων στο ψυγείο

#### • Ράφι Ψυγείου

- Εδώ αποθηκεύονται τα ψυχθέντα τρόφιμα και άλλα στοιχεία..
- Το ύψος του ραφίου μπορεί να ρυθμιστεί τοποθετώντας το ράφι σε άλλη εσοχή διαφορετικού ύψους.
- Αποθηκεύετε τα τρόφιμα με υψηλότερη περιεκτικότητα υγρασίας στο μπροστινό μέρος του ραφίου.
- Ο πραγματικός αριθμός των ραφίων θα διαφέρει από μοντέλο σε μοντέλο.

#### • Ράφι μπουκαλιών (\*)

- Εδώ αποθηκεύονται τα ψηλά μπουκάλια ή τα δοχεία ποτών.

#### • Αναδιπλούμενο ράφι (\*)

- Εδώ αποθηκεύονται τα ψυχθέντα τρόφιμα και τα ψηλά είδη.

#### • Συρτάρι φρέσκων λαχανικών (\*)

- Εδώ αποθηκεύονται τα φρούτα και τα λαχανικά προκειμένου να διατηρηθεί η φρεσκάδα τους με την προσαρμογή του ρυθμιστή υγρασίας.
- Η εμφάνιση ή τα στοιχεία της συσκευής μπορεί να διαφέρουν από το ένα μοντέλο στο άλλο.

#### • Μετατροπέας φρέσκου (\*)

- Ως διαμέρισμα έντονης ψύξης, εδώ αποθηκεύεται το κρέας, τα ψάρια και τα λαχανικά, προκειμένου να διατηρηθεί η φρεσκάδα τους με την προσαρμογή του ρυθμιστή υγρασίας που βρίσκεται στο πίσω μέρος του ψυγείου.
- Για περισσότερο χώρο, μπορείτε να χρησιμοποιήσετε την περιοχή ψύξης χωρίς συρτάρι διαμερίσματος έντονης ψύξης.

#### • Κινητή θήκη αυγών

- Εδώ αποθηκεύονται τα αυγά.
- Μπορείτε να τη μετακινήσετε και να τη χρησιμοποιήσετε στην επιθυμητή θέση, ανάλογα με τις ανάγκες σας. Ωστόσο, μην τη χρησιμοποιείτε ως δοχείο πάγου ή μην την τοποθετείτε στο επάνω ράφι του ψυγείου ή στο συρτάρι λαχανικών.

#### • Καλάθι πόρτας Ψυγείου

- Εδώ αποθηκεύονται μικρές συσκευασίες ψυχθέντων τροφίμων, ποτών και δοχείων για σάλτσες.

#### • Δεξαμενή διανομέα νερού (\*)

- Εδώ αποθηκεύεται το νερό για την τροφοδοσία του διανομέα ή του αυτόματου παρασκευαστή πάγου. Απαιτεί χειροκίνητη πλήρωση. (Μόνον για μοντέλα χωρίς αντλία)

### Αποθήκευση τροφίμων στον καταψύκτη

#### • Δίσκος πάγου

- Εδώ παράγεται και αποθηκεύεται πάγος.
- Για περισσότερο χώρο, μπορείτε να αφαιρέσετε τον δίσκο πάγου ή τον κάδο πάγου.

#### • Συρτάρι κατάψυξης

- Προορίζεται για μακροχρόνια αποθήκευση κατεψυγμένων στοιχείων.
- Για να καταψύξετε τρόφιμα γρήγορα, αποθηκεύστε τα στην αριστερή πλευρά του επάνω συρταριού. Τα τρόφιμα θα καταψυχθούν εξαιρετικά γρήγορα στο συρτάρι.

### ΣΗΜΕΙΩΣΗ

- (\*) : Αυτό το χαρακτηριστικό ποικίλλει ανάλογα με το μοντέλο.
- Για περισσότερες πληροφορίες σχετικά με άλλα διαμερίσματα, επισκεφτείτε την τοποθεσία [lg.com](http://lg.com) και πραγματοποιήστε λήψη των οδηγιών χρήσης.

## Πίνακας Ελέγχου

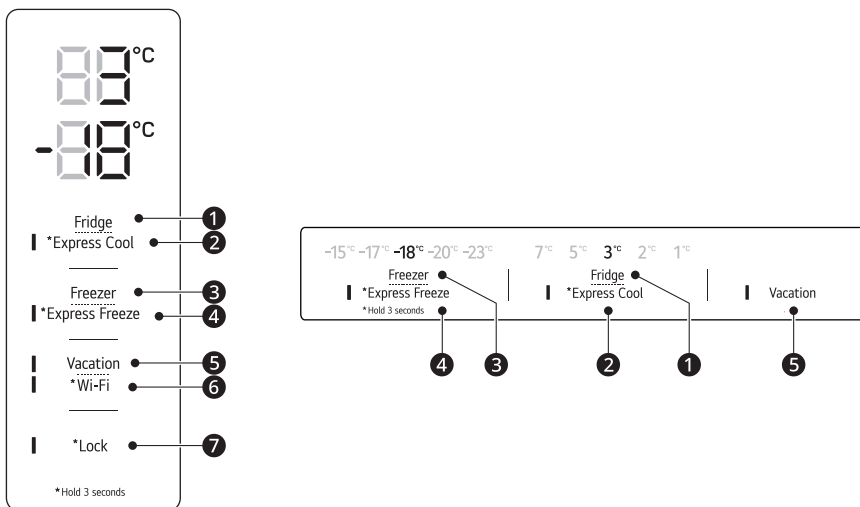
Ο πραγματικός πίνακας ελέγχου μπορεί να διαφέρει από μοντέλο σε μοντέλο .

## Πίνακας ελέγχου και λειτουργίες

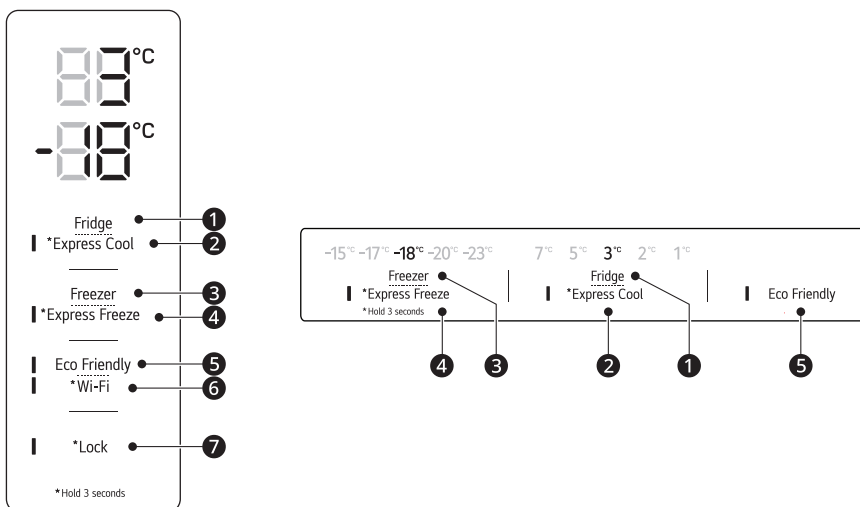
\*1 Αυτό το χαρακτηριστικό είναι διαθέσιμο μόνο σε ορισμένα μοντέλα .

Ο πίνακας ελέγχου βρίσκεται είτε στην πόρτα είτε στο εσωτερικό του ψυγείου , ανάλογα με το μοντέλο .

### Τύπος Α



### Τύπος Β





**1 Fridge**

Πατήστε επανειλημμένα αυτό το κουμπί για να επιλέξετε την επιθυμητή θερμοκρασία μεταξύ 1 °C και 7 °C.

- Η προεπιλεγμένη θερμοκρασία του ψυγείου είναι 3 °C.

**2 Express Cool**

Η λειτουργία αυτή μπορεί να ψύξει γρήγορα μια μεγάλη ποσότητα τροφίμων , όπως λαχανικά , φρούτα και ούτω καθεξής.

- Η λειτουργία αυτή ενεργοποιείται και απενεργοποιείται εναλλάξ κάθε φορά που πατάτε το κουμπί για 3 δευτερόλεπτα .

**3 Freezer**

Πατήστε επανειλημμένα αυτό το κουμπί για να επιλέξετε την επιθυμητή θερμοκρασία μεταξύ -15 °C και -23 °C.

- Η προεπιλεγμένη θερμοκρασία του καταψύκτη είναι -18 °C.

**4 Express Freeze**

Με τη λειτουργία αυτή είναι δυνατή η γρήγορη κατάψυξη μεγάλης ποσότητας πάγου ή κατεψυγμένων τροφίμων.

- Πατήστε το κουμπί **Express Freeze** για να ενεργοποιήσετε τη λειτουργία για 24 ώρες. Η λειτουργία τερματίζεται αυτόματα αφού παρέλθουν 24 ώρες.
- Η λειτουργία αυτή ενεργοποιείται και απενεργοποιείται εναλλάξ κάθε φορά που πατάτε το κουμπί για 3 δευτερόλεπτα .
- Όταν είναι ενεργοποιημένη η λειτουργία , μπορεί να προκύψει θόρυβος και η κατανάλωση ενέργειας μπορεί να αυξηθεί.

**5 Vacation**

Η λειτουργία αυτή είναι χρήσιμη όταν λείπετε για διακοπές . Όταν η λειτουργία αυτή είναι ενεργοποιημένη , η θερμοκρασία του ψυγείου είναι 7 °C και η θερμοκρασία του καταψύκτη -15 °C. Όταν η λειτουργία αυτή είναι απενεργοποιημένη , η θερμοκρασία ψυγείου και καταψύκτη επιστρέφει στις προηγούμενες ρυθμίσεις θερμοκρασίας .

- Η λειτουργία αυτή ενεργοποιείται και απενεργοποιείται εναλλάξ κάθε φορά που πατάτε το κουμπί.
- Όταν η λειτουργία αυτή είναι ενεργοποιημένη , τα άλλα κουμπιά εκτός των **Lock** και **Wi-Fi** δεν λειτουργούν.
- Η λειτουργία **Eco Friendly** μετονομάστηκε σε **Vacation** .

**⚠ ΠΡΟΣΟΧΗ**

- Όταν αυτή η λειτουργία είναι ενεργοποιημένη , να είστε προσεκτικοί σχετικά με την αποθήκευση τροφίμων που απαιτούν χαμηλότερη θερμοκρασία από την προεπιλεγμένη θερμοκρασία .
- Όταν επιστρέψετε στο σπίτι , θυμηθείτε να απενεργοποιήσετε αυτήν τη λειτουργία , ώστε να ξεκλειδώσετε τα άλλα κουμπιά και να επαναφέρετε το ψυγείο στις προηγούμενες ρυθμίσεις θερμοκρασίας .

**6 Wi-Fi\*1**

Αυτό το κουμπί επιτρέπει στη συσκευή να συνδεθεί σε ένα οικιακό δίκτυο Wi-Fi. Για πληροφορίες σχετικά με την αρχική ρύθμιση της εφαρμογής **LG ThinQ**, ανατρέξτε στο **SMART FUNCTIONS**.

**7 Lock\*1**

Έτα κλειδώνουν τα κουμπιά στον πίνακα ελέγχου.

- Για να κλειδώσετε τα κουμπιά του πίνακα ελέγχου , πατήστε παρατεταμένα το κουμπί **Lock** για 3 δευτερόλεπτα μέχρι να ενεργοποιηθεί η λειτουργία.
- Για να απενεργοποιήσετε αυτήν τη λειτουργία , πατήστε παρατεταμένα το κουμπί **Lock** για 3 δευτερόλεπτα , μέχρι να απενεργοποιηθεί η λειτουργία.

**ΣΗΜΕΙΩΣΗ**

- Για βέλτιστη συντήρηση των τροφίμων , συνιστάται η αύξηση ή μείωση κατά 1 °C ή κατά ένα επίπεδο από την προεπιλεγμένη θερμοκρασία για κάθε διαμέρισμα .
- Η θερμοκρασία που εμφανίζεται είναι η θερμοκρασία -στόχος και όχι η πραγματική θερμοκρασία στο εσωτερικό της συσκευής .
- Η πραγματική θερμοκρασία στο εσωτερικό της συσκευής εξαρτάται από τους εξής παράγοντες : τη θερμοκρασία περιβάλλοντος , την ποσότητα τροφίμων και τη συχνότητα με την οποία ανοίγουν οι πόρτες , που βρίσκεται η συσκευή . Ρυθμίστε τις θερμοκρασίες λαμβάνοντας υπόψη αυτούς τους παράγοντες .
- Ο πίνακας ελέγχου θα σβήσει αυτόματα για την εξοικονόμηση ενέργειας .
- Εάν υπάρχει επαφή με κάποιο δάκτυλο ή με το δέρμα στον πίνακα ελέγχου ενώ τον καθαρίζετε , μπορεί να ενεργοποιηθεί η λειτουργία του κουμπιού .

## Εφαρμογή LG ThinQ

Αυτό το χαρακτηριστικό είναι διαθέσιμο μόνο σε μοντέλα με Wi-Fi.

Η εφαρμογή **LG ThinQ** σας επιτρέπει να επικοινωνείτε με τη συσκευή χρησιμοποιώντας ένα smartphone.

## Λειτουργίες εφαρμογής LG ThinQ

Συνδεθείτε με τη συσκευή με τη βοήθεια ενός smartphone, χρησιμοποιώντας τις πρακτικές έξυπνες λειτουργίες.

### Smart Diagnosis

- Αν αντιμετωπίζετε κάποιο πρόβλημα κατά τη χρήση της συσκευής, αυτό το χαρακτηριστικό έξυπνης διάγνωσης θα σας βοηθήσει να διαγνώσετε το πρόβλημα.

### Ρυθμίσεις

- Σας επιτρέπει να ορίσετε διάφορες επιλογές στη συσκευή και στην εφαρμογή.

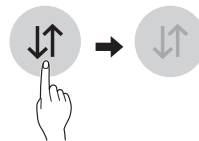
### ΣΗΜΕΙΩΣΗ

- Αν αλλάξετε ασύρματο δρομολογητή, πάροχο υπηρεσιών διαδικτύου ή κωδικό πρόσβασης, διαγράψτε την καταχωρημένη συσκευή από την εφαρμογή **LG ThinQ** και καταχωρήστε την εκ νέου.
- Η συσκευή μπορεί να υποστεί αλλαγές για λόγους βελτίωσης του προϊόντος χωρίς προειδοποίηση προς τους χρήστες.
- Οι λειτουργίες μπορεί να διαφέρουν ανάλογα το μοντέλο.

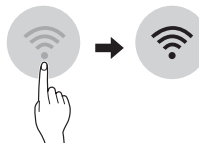
## Πριν από τη χρήση της εφαρμογής LG ThinQ

- 1 Ελέγξτε την απόσταση μεταξύ της συσκευής και του ασύρματου δρομολογητή (Ασύρματο δίκτυο).
  - Εάν η απόσταση μεταξύ της συσκευής και του ασύρματου δρομολογητή είναι μεγάλη, η δύναμη του σήματος είναι ασθενής. Μπορεί να χρειαστεί πολύς χρόνος για την εγγραφή ή να αποτύχει η εγκατάσταση.


- 2 Απενεργοποιήστε τη **χρήση δεδομένων κινητού** ή τη **χρήση δεδομένων κινητής τηλεφωνίας** στο smartphone σας.



- 3 Συνδέστε το κινητό σας στο ασύρματο δρομολογητή.



### ΣΗΜΕΙΩΣΗ

- Για να επαληθεύσετε την σύνδεση Wi-Fi, ελέγξτε ότι έχει ενεργοποιηθεί το εικονίδιο  στον πίνακα ελέγχου.
- Η συσκευή υποστηρίζει μόνο ασύρματα δίκτυα 2,4 GHz. Για να ελέγξετε τη συχνότητα του δικτύου σας, επικοινωνήστε με τον πάροχο διαδικτύου ή ανατρέξτε στο εγχειρίδιο του δρομολογητή σας.
- Η εφαρμογή **LG ThinQ** δεν ευθύνεται για οποιαδήποτε προβλήματα σύνδεσης στο δίκτυο ή τυχόν αστοχίες, δυσλειτουργίες, ή σφάλματα που προκαλούνται από τη σύνδεση δικτύου.
- Εάν η συσκευή έχει πρόβλημα σύνδεσης με το δίκτυο ασύρματης σύνδεσης, ενδέχεται να βρίσκεται σε πολύ μακρινή απόσταση από το δρομολογητή. Αγοράστε έναν αναμεταδότη ασύρματης σύνδεσης (εξοπλισμός επέκτασης εμβέλειας) για να βελτιωθεί η ισχύς του σήματος ασύρματης σύνδεσης.
- Το δίκτυο ασύρματης σύνδεσης ίσως δεν μπορεί να συνδεθεί ή μπορεί να διακοπεί λόγω του περιβάλλοντος οικιακού δικτύου.
- Η σύνδεση με το δίκτυο μπορεί να μην λειτουργεί σωστά ανάλογα με τον πάροχο υπηρεσιών διαδικτύου.
- Το ευρύτερο ασύρματο περιβάλλον μπορεί να επιβραδύνει την ασύρματη λειτουργία.
- Η συσκευή δεν μπορεί να καταγραφεί εξαιτίας προβλημάτων με τη μετάδοση του ασύρματου σήματος. Βγάλτε τη συσκευή από την πρίζα και περιμένετε για περίπου ένα λεπτό πριν ξαναπροσπαθήσετε.
- Εάν το λογισμικό στο ασύρματο δρομολογητή είναι ενεργοποιημένο, απενεργοποιήστε το ή εφαρμόστε μια εξαίρεση.


- Το όνομα του ασύρματου δικτύου (SSID) θα πρέπει να είναι ένας συνδυασμός Αγγλικών γραμμάτων και αριθμών. (Μη χρησιμοποιείτε ειδικούς χαρακτήρες)
- Η διεπάρφη χρήστη της συσκευής έξυπνου τηλεφώνου σας μπορεί να ποικίλει αναλόγως το λειτουργικό σύστημα του κινητού σας και τον κατασκευαστή.
- Εάν το πρωτόκολλο ασφαλείας του δρομολογητή είναι ρυθμισμένο στο **WEP**, μπορεί να μην καταφέρετε να συνδεθείτε στο δίκτυο. Αλλάξτε το πρωτόκολλο ασφαλείας (προτείνουμε το **WPA2**) και πραγματοποιήστε ξανά την εγγραφή του προϊόντος.

## Εγκατάσταση της εφαρμογής LG ThinQ

Αναζητήστε την εφαρμογή **LG ThinQ** από το Google Play Store & Apple App Store σε ένα smart phone.

- Ακολουθήστε οδηγίες για τη λήψη και την εγκατάσταση της εφαρμογής.

## Σύνδεση με Wi-Fi

Το κουμπί **Wi-Fi**, όταν χρησιμοποιείται με την εφαρμογή **LG ThinQ**, επιτρέπει τη σύνδεση της συσκευής με το οικιακό δίκτυο Wi-Fi. Το εικονίδιο  δείχνει την κατάσταση της σύνδεσης της συσκευής με το δίκτυο. Το εικονίδιο ανάβει όταν η συσκευή είναι συνδεδεμένη με το δίκτυο Wi-Fi.


## Αρχική Καταχώρηση Συσκευής

- Εκτελέστε την εφαρμογή **LG ThinQ** και ακολουθήστε τις οδηγίες για να καταχωρήσετε τη συσκευή.

## Εκ νέου Καταχώρηση της Συσκευής ή Καταχώρηση άλλου Χρήστη

- Πιέστε παρατεταμένα το κουμπί **Wi-Fi** για 3 δευτερόλεπτα για να σβήσει προσωρινά. Εκτελέστε την εφαρμογή **LG ThinQ** και ακολουθήστε τις οδηγίες στην εφαρμογή για να καταχωρήσετε τη συσκευή.

## ΣΗΜΕΙΩΣΗ

- Για να απενεργοποιήσετε τη λειτουργία Wi-Fi, πατήστε παρατεταμένα το κουμπί **Wi-Fi** για 3 δευτερόλεπτα. Το εικονίδιο  θα απενεργοποιηθεί.

## Πληροφορίες σημείωσης για το λογισμικό ανοικτού κώδικα

Για τη λήψη του πηγαίου κώδικα που διέπεται από τις άδειες χρήσης GPL, LGPL, MPL και άλλες άδειες χρήσης ανοικτού κώδικα που έχουν την υποχρέωση να αποκαλύπτουν τον πηγαίο κώδικα ο οποίος περιλαμβάνεται στο προϊόν και για την πρόσβαση σε όλους τους αναφερόμενους όρους αδειών χρήσης, στις σημειώσεις πνευματικών δικαιωμάτων και σε άλλα σχετικά έγγραφα, επισκεφτείτε τη διεύθυνση <https://opensource.lge.com>.

Η LG Electronics θα σας παρέχει επίσης τον κώδικα ανοιχτής πηγής σε μορφή CD-ROM έναντι χρέωσης που θα καλύπτει τα έξοδα της διανομής (όπως το κόστος των πολυμέσων, της αποστολής και της διαχείρισης), κατόπιν αιτήματος μέσω email στη διεύθυνση [opensource@lge.com](mailto:opensource@lge.com).

Η προσφορά ισχύει για όλους τους παραλήπτες αυτής της πληροφορίας και για περίοδο τριών ετών από την τελευταία μας αποστολή αυτού του προϊόντος.

## Σημειώσεις σχετικά με το καθαρίσμα

- Όταν αφαιρείτε ένα ράφι ή συρτάρι από το εσωτερικό της συσκευής, αφαιρείτε και όλα τα αποθηκευμένα τρόφιμα από το ράφι ή το συρτάρι για να αποτραπεί τραυματισμός ή βλάβη στη συσκευή.
  - Διαφορετικά, μπορεί να προκληθεί τραυματισμός λόγω του βάρους των αποθηκευμένων τροφίμων.
- Εάν καθαρίζετε τους εξωτερικούς αεραγωγούς της συσκευής με ηλεκτρική σκούπα, τότε το καλώδιο ρεύματος πρέπει να έχει αφαιρεθεί από την πρίζα για να αποτραπεί στατική εκκένωση που μπορεί να προκαλέσει βλάβη στα ηλεκτρονικά στοιχεία ή να προκαλέσει ηλεκτροπληξία.
- Αποσπάστε τα ράφια και τα συρτάρια και καθαρίστε τα με νερό και κατόπιν στεγνώστε τα επαρκώς πριν τα βάλετε στη θέση τους.
- Σκουπίζετε τακτικά τα παρεμβύσματα της πόρτας με μία υγρή μαλακή πετσέτα.
- Λεκέδες και σταγόνες νερού στο καλάθι της πόρτας θα πρέπει να καθαρίζονται καθώς υποβαθμίζουν τη δυνατότητα αποθήκευσης του καλαθιού ακόμη και να προκαλέσουν βλάβη.
- Μετά το καθαρίσμα, ελέγχετε εάν το καλώδιο ρεύματος είναι καταστρωμένο, ζεστό ή δεν είναι στη θέση του.
- Διατηρείτε καθαρούς τους αεραγωγούς στο εξωτερικό της συσκευής.
  - Φραγμένοι αεραγωγοί μπορεί να προκαλέσουν πυρκαγιά ή ζημία στη συσκευή.
- Όταν καθαρίζετε το εσωτερικό ή το εξωτερικό της συσκευής, μην τρίβετε με σκληρή βούρτσα, οδοντόπαστα ή εύφλεκτα υλικά. Μην χρησιμοποιείτε απορρυπαντικά που περιέχουν εύφλεκτη ουσίες.
  - Αυτό μπορεί να προκαλέσει αποχρωματισμό ή ζημία της συσκευής.
  - Εύφλεκτη ουσίες: αλκοόλες (αιθανόλη, μεθανόλη, ισοπροπυλική αλκοόλη, ισοβουτυλική αλκοόλη, κ.λπ.), διαλυτικά, χλωρίνη, βενζένιο, εύφλεκτα υγρά, διαβρωτικά, κ.λπ.
- Για το εξωτερικό της συσκευής, χρησιμοποιείτε ένα καθαρό σφουγγάρι και ένα ήπιο απορρυπαντικό σε ζεστό νερό. Μην χρησιμοποιείτε αποξεστικά ή σκληρά απορρυπαντικά. Στεγνώνετε καλά με ένα μαλακό πανί.
- Μην πλένετε ποτέ τα ράφια ή τα δοχεία στο πλυντήριο πιάτων.
  - Τα εξαρτήματα μπορεί να παραμορφωθούν λόγω θερμότητας.
- Να καθαρίζετε τακτικά τις επιφάνειες που έρχονται σε επαφή με τρόφιμα και προσβάσιμα συστήματα αποστράγγισης.
- Εάν η συσκευή είναι εξοπλισμένη με λυχνία LED, μην αφαιρέσετε το κάλυμμα τις λυχνίας και την λυχνία LED σε κάποια απόπειρα να επισκευάσετε ή να τη διορθώσετε. Επικοινωνήστε με ένα Κέντρο πληροφόρησης πελατών της LG Electronics.

## Απόρριψη της παλιάς σας συσκευής



- Αυτό το διαγραμμένο σύμβολο του τροχοφόρου κάδου υποδεικνύει ότι τα απόβλητα ηλεκτρικών και ηλεκτρονικών προϊόντων (ΑΗΗΕ) πρέπει να απορρίπτονται χωριστά από τα γενικά οικιακά απορρίμματα.
- Τα παλιά ηλεκτρικά προϊόντα μπορεί να περιέχουν επικίνδυνες ουσίες και ως εκ τούτου η σωστή απόρριψη της παλιάς σας συσκευής αποτρέπει ενδεχόμενες αρνητικές συνέπειες για το περιβάλλον και την ανθρώπινη υγεία. Η παλιά σας συσκευή μπορεί να περιέχει επαναχρησιμοποιήσιμα ανταλλακτικά που θα μπορούσαν να χρησιμοποιηθούν για την επισκευή άλλων προϊόντων, καθώς και άλλα υλικά αξίας που μπορούν να ανακυκλωθούν για εξοικονόμηση των περιορισμένων φυσικών πόρων.
- Μπορείτε να πάτε τη συσκευή σας, είτε στο κατάστημα από το οποίο αγοράσατε το προϊόν, ή να επικοινωνήσετε το τοπικό γραφείο απορριμμάτων για λεπτομέρειες σχετικά με το πλησιέστερο εγκεκριμένο σημείο συλλογής ΑΗΗΕ (Απόβλητα Ηλεκτρικών και Ηλεκτρονικών Συσκευών). Για τις πιο πρόσφατες πληροφορίες για τη χώρα σας επισκεφθείτε τη διεύθυνση [www.lg.com/global/recycling](http://www.lg.com/global/recycling)

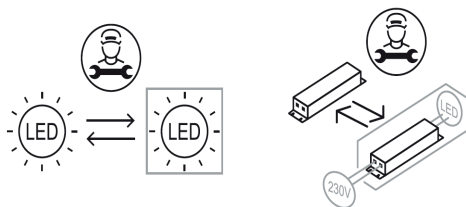
## Εξυπηρέτηση πελατών και σέρβις

Επικοινωνήστε με ένα κέντρο πληροφόρησης πελατών της LG Electronics.

- Για πληροφορίες σχετικά με εξουσιοδοτημένα κέντρα εξυπηρέτησης της LG, επισκεφτείτε τον ιστότοπό μας στη διεύθυνση [www.lg.com](http://www.lg.com).
- Μόνο εξειδικευμένο προσωπικό σέρβις από εξουσιοδοτημένο κέντρο εξυπηρέτησης της LG θα πρέπει να αποσυναρμολογεί, να επιδιορθώνει ή να τροποποιεί τη συσκευή.
- Η ελάχιστη περίοδος εγγύησης αυτού του ψυγείου είναι 24 μήνες.
- Για αγορά ανταλλακτικών, επικοινωνήστε με το κέντρο πληροφόρησης πελατών της LG Electronics ή επισκεφτείτε τον ιστότοπό μας στη διεύθυνση [www.lg.com](http://www.lg.com).
- Τα ανταλλακτικά που αναφέρονται στον κανονισμό ΕΕ 2019/2019 είναι διαθέσιμα για 7 έτη (μόνο τα παρεμβύσματα για τις πόρτες είναι διαθέσιμα για 10 έτη).

### ΣΗΜΕΙΩΣΗ

- Για περισσότερες πληροφορίες σχετικά με την ενεργειακή απόδοση της συσκευής, επισκεφτείτε τη διεύθυνση <https://ec.europa.eu> και πραγματοποιήστε αναζήτηση χρησιμοποιώντας το όνομα του μοντέλου (ισχύει από την 1η Μαρτίου 2021).
- Ο κανονισμός (ΕΕ) 2019/2019, που ισχύει από 1η Μαρτίου 2021, σχετίζεται με την Κατηγορία Ενεργειακής απόδοσης σύμφωνα με τον κανονισμό (ΕΕ) 2019/2016.
- Σαρώστε τον κωδικό QR στην ετικέτα ενέργειας που παρέχεται με τη συσκευή, η οποία αναγράφει έναν διαδικτυακό σύνδεσμο προς τις πληροφορίες που σχετίζονται με την απόδοση της συσκευής στη βάση δεδομένων EU EPREL. Κρατήστε την ετικέτα ενέργειας για λόγους αναφοράς μαζί με όλα τα άλλα έγγραφα που παρέχονται μαζί με τη συσκευή (ισχύει από την 1η Μαρτίου 2021).
- Το όνομα μοντέλου βρίσκεται στην πινακίδα κατάταξης της συσκευής.
- Αυτό το προϊόν περιέχει μια πηγή φωτός ενεργειακής απόδοσης κατηγορίας G.





MANUAL DEL PROPIETARIO

# FRIGORÍFICO Y CONGELADOR

**Lea con detenimiento este manual del propietario antes de hacer funcionar el electrodoméstico y téngalo a mano para poder consultarlo en cualquier momento.**

[www.lg.com](http://www.lg.com)

Consulte el manual del propietario en el sitio web de LG para obtener más información detallada.

Copyright © 2019-2023 LG Electronics Inc. Todos los derechos reservados

# ÍNDICE

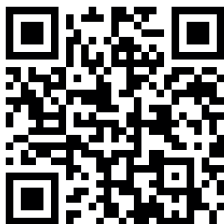
Este manual puede contener imágenes o contenido diferente del modelo que haya adquirido.

Este manual está sujeto a revisión por parte del fabricante.

<b>INSTRUCCIONES DE SEGURIDAD .....</b>	<b>3</b>
Instrucciones de seguridad importantes.....	3
<b>INSTALACIÓN .....</b>	<b>10</b>
Dimensiones y separaciones.....	10
Temperatura ambiente.....	10
<b>FUNCIONAMIENTO .....</b>	<b>11</b>
Notas sobre el funcionamiento .....	11
Convertidor fresco ( * ) .....	12
Cajón de verdura fresca ( * ) .....	13
Panel de control .....	15
<b>FUNCIONES SMART .....</b>	<b>17</b>
Aplicación LG ThinQ .....	17
<b>MANTENIMIENTO.....</b>	<b>19</b>
Notas sobre la limpieza .....	19
Símbolo para marcar AEE .....	19
<b>SOLUCIÓN DE PROBLEMAS.....</b>	<b>20</b>

## Información Adicional Del Manual

Esta es una versión corta del manual del propietario. Si desea obtener más información, visite el sitio web de LG en <http://www.lg.com>




## Solución de problemas



## INSTRUCCIONES DE SEGURIDAD

ES

Las siguientes instrucciones de seguridad tienen por objetivo evitar riesgos imprevistos o daños derivados de un funcionamiento poco seguro o incorrecto del aparato. Las instrucciones se dividen en “**ADVERTENCIAS**” y “**PRECAUCIONES**”, como se describe a continuación.

 Este símbolo se muestra para indicar cuestiones y acciones que pueden suponer un riesgo. Lea con atención la parte señalada con este símbolo y siga las instrucciones a fin de evitar riesgos.

### **ADVERTENCIA**

Indica que, de no seguirse las instrucciones, pueden producirse lesiones graves o la muerte.

### **PRECAUCIÓN**

Indica que, de no seguirse las instrucciones, pueden producirse lesiones menos graves o daños en el aparato.

## Instrucciones de seguridad importantes

### **ADVERTENCIA**

Para reducir el riesgo de explosión, incendio, muerte, descarga eléctrica, lesiones o quemaduras a personas al utilizar este producto, siga instrucciones básicas de seguridad, entre las que se encuentran las siguientes:

#### **Niños**

- Este electrodoméstico no está previsto para ser utilizado por personas (niños incluidos) con capacidades físicas, sensoriales o mentales disminuidas o sin experiencia o conocimientos, a menos que una persona responsable de su seguridad las supervise o les facilite instrucciones relativas al uso del electrodoméstico. Se debe supervisar a los niños para asegurarse de que no jueguen con el electrodoméstico.
- Si el aparato está equipado con un candado (solo en algunos modelos), mantenga la llave fuera del alcance de los niños.



### **Para uso en Europa:**

- Este electrodoméstico solo puede ser utilizado por niños a partir de 8 años de edad y personas con capacidades físicas, sensoriales o mentales disminuidas o sin experiencia o conocimientos si están sometidos a supervisión o si reciben instrucciones sobre el uso del electrodoméstico de forma segura y entienden los peligros que entraña. Los niños no deben jugar con el electrodoméstico. Los niños no pueden llevar a cabo operaciones de limpieza ni de mantenimiento sin supervisión.
- Los niños entre 3 y 8 años pueden cargar y descargar electrodoméstico de refrigeración.

### **Instalación**

- Este aparato sólo debe ser transportado por dos o más personas que sostengan el aparato de forma segura.
- Asegúrese de que la toma de corriente esté correctamente conectada a tierra, y de que la toma de tierra del cable de alimentación no esté dañada o quitada de la clavija de alimentación. Para más detalles sobre conexiones a tierra, pregunte en un centro de información al cliente de LG Electronics.
- Este aparato está equipado con un cable que tiene un conductor de conexión a tierra y un enchufe de corriente a tierra. El cable de alimentación debe estar conectado a una toma de corriente apropiado que esté instalado y conectado a tierra de acuerdo con todos los códigos y ordenanzas locales.
- Si el cable de alimentación está dañado o el hueco de la toma de corriente está suelto, no utilice el cable de alimentación y póngase en contacto con un centro de servicio autorizado.
- No enchufe el electrodoméstico a un adaptador de varios zócalos que no tenga un cable de alimentación (instalado).
- No modifique o prolongue el cable de alimentación.
- El aparato debe conectarse a una línea de alimentación específica con fusible independiente.
- No utilice un adaptador de varios zócalos que no esté correctamente conectado a tierra (portátil). Si usa un adaptador de varios zócalos correctamente conectado a tierra (portátil), utilice uno que tenga la capacidad de corriente del valor de alimentación nominal o superior y utilícelo solo para el electrodoméstico.
- Instale el aparato en un lugar donde sea fácil desconectar el cable de alimentación del aparato.

- Tenga cuidado de no dejar el enchufe de alimentación mirando hacia arriba ni dejar que el aparato se apoye sobre el enchufe.
- Instale el aparato sobre un suelo firme y nivelado.
- No instale el aparato en un lugar húmedo y polvoriento. No instale ni guarde el aparato en cualquier área al aire libre, o cualquier área que esté sujeta a condiciones climatológicas tales como la luz directa del sol, el viento o la lluvia o temperaturas bajo cero.
- No coloque el aparato bajo la luz solar directa ni lo exponga al calor de fuentes de calor como estufas o calentadores.
- Tenga cuidado de no exponer la parte posterior del aparato durante la instalación.
- Tenga cuidado de no dejar caer la puerta del aparato durante el montaje o desmontaje.
- Tenga cuidado de no perforar, aplastar ni dañar el cable de alimentación durante el montaje o desmontaje de la puerta del aparato.
- No conecte un adaptador de enchufe ni otro accesorio a la clavija eléctrica.

### **Funcionamiento**

- No utilice el aparato para cualquier propósito (almacenamiento de materiales médicos o experimentales o envío) distinto a un uso de almacenamiento interno de alimentos en el hogar.
- Desconecte el cable de alimentación durante una tormenta severa o cuando no esté en uso durante un largo período de tiempo.
- No toque el enchufe de alimentación o los controles del aparato con las manos mojadas.
- No doble excesivamente el cable de alimentación ni coloque un objeto pesado sobre él.
- Si el agua penetra en las piezas eléctricas del aparato, desconecte el enchufe y póngase en contacto con un centro de información al cliente de LG Electronics.
- No ponga las manos ni objetos metálicos dentro de la zona que emite el aire frío, la tapa ni la rejilla de liberación de calor de la parte posterior.
- No aplique una fuerza o impacto excesivos sobre la tapa posterior del aparato.
- No introduzca animales vivos, como mascotas, en el electrodoméstico.
- Tenga cuidado por si hay niños cerca cuando abra o cierre la puerta del aparato. La puerta podría golpear al niño y provocarle lesiones.

- Evite el peligro de que los niños queden atrapados en el interior del aparato. Un niño atrapado en el interior del aparato puede sufrir asfixia.
- No coloque objetos pesados o frágiles, recipientes llenos de líquido, sustancias combustibles, objetos inflamables (como velas, lámparas, etc.) ni dispositivos de calefacción (como estufas, calentadores, etc.) sobre el dispositivo.
- Si se produce una fuga de gas (isobutano, propano, gas natural, etc.) no toque el aparato ni el enchufe de corriente y ventile la zona de inmediato. Este aparato utiliza un gas refrigerante (isobutano, R600a). Aunque emplea una pequeña cantidad de gas, no deja de ser un gas combustible. Una fuga de gas durante el transporte, la instalación o el funcionamiento del aparato puede producir un incendio, explosión o lesiones si se producen chispas.
- No utilice ni almacene sustancias inflamables o combustibles (éter, benceno, alcohol, productos químicos, gas licuado de petróleo, aerosol combustible, insecticida, ambientador, cosméticos, etc.) cerca del aparato.
- Desenchufe inmediatamente el cable de alimentación y póngase en contacto con un centro de información al cliente de LG Electronics si detecta un sonido extraño, olor o humo procedentes del aparato.
- Llene la máquina de hielo o el depósito del dispensador de agua solo con agua potable.
- No dañe el circuito del refrigerante.
- No coloque ningún aparato electrónico (como calentador y teléfono móvil) en el interior del aparato.

### **Mantenimiento**

- Desconecte el cable de alimentación antes de limpiar el aparato o reemplazar la lámpara del interior (si existe).
- Enchufe de manera segura el cable de alimentación en la toma de corriente después de eliminar por completo cualquier humedad y polvo.
- Nunca desenchufe el aparato tirando del cable de alimentación. Agarre siempre el enchufe firmemente y tire en línea recta desde la toma de corriente.
- No pulverice agua ni sustancias inflamables (pasta de dientes, alcohol, disolvente, benceno, líquido inflamable, abrasivo, etc.) sobre el interior o el exterior del electrodoméstico para limpiarlo.

- No limpie el aparato con cepillos, trapos ni esponjas de superficie rugosa o hechos de material metálico.
- Solo el personal de servicio cualificado del centro de servicio de LG Electronics debe desmontar, reparar o modificar el aparato. Póngase en contacto con un centro de información al cliente de LG Electronics si se muda e instala el aparato en un lugar diferente.
- No utilice un secador de pelo para secar el interior del aparato ni coloque una vela en su interior para eliminar los olores.
- No utilice dispositivos mecánicos ni otros medios para acelerar el proceso de descongelación.

### **Eliminación**

- Cuando no funcione el aparato, retire la junta de la puerta, dejando los estantes y cestas en su lugar y mantenga a los niños alejados del aparato.
- Elimine el material de embalaje (como vinilo y poliestireno extruido) de forma que los niños no tengan acceso a él. Los materiales de embalaje pueden causar asfixia.

### **Seguridad técnica**

- Mantenga las aberturas de ventilación, en el recinto del dispositivo o la estructura incorporada, libres de obstrucciones.
- No utilice aparatos eléctricos en el interior del frigorífico.
- El refrigerante y el gas de expansión utilizados en el electrodoméstico precisan de procedimientos de eliminación adecuados. Consulte con el agente de mantenimiento o con una persona igualmente cualificada antes de eliminarlos.
- El derrame de refrigerante desde las tuberías puede provocar un incendio o causar una explosión.
- La cantidad de refrigerante que contiene cada electrodoméstico se indica en la placa de identificación que hay dentro de este.
- No conecte jamás un electrodoméstico que presente indicios de daño. Si tiene dudas, consulte con el distribuidor.
- Este electrodoméstico está destinado solo para su uso doméstico y en aplicaciones similares. No debe ser utilizado con fines comerciales, o de restauración, o en cualquier aplicación móvil, como una caravana o un barco.
- No almacene sustancias explosivas, como latas con pulverizador que contengan un propelente inflamable, dentro de este electrodoméstico.
- Este aparato de refrigeración no está diseñado para ser usado como un aparato empotrado.

## Riesgo de incendio y materiales inflamables



Este símbolo le indica los materiales inflamables que pueden prenderse y provocar un incendio si no tiene cuidado.

- Este aparato contiene una pequeña cantidad de gas refrigerante isobutano (R600a), pero no deja de ser combustible. Al transportar e instalar el aparato, debe tenerse precaución para asegurarse de que no resulte dañada ninguna parte del circuito de refrigeración.
- Si se detecta una fuga, evite acercarse a llamas o posibles fuentes de ignición y ventile la habitación en la que se encuentra el aparato durante varios minutos. Con el fin de evitar la creación de una mezcla de gas y aire inflamable si se produce una fuga en el circuito de refrigeración, el tamaño de la habitación en la que se utiliza el aparato debe corresponderse a la cantidad de refrigerante utilizado. La habitación debe tener 1 m<sup>2</sup> de superficie por cada 8 g de refrigerante R600a contenido en el aparato.
- Al colocar el aparato, asegúrese de que el cable de alimentación no se enganche o se dañe.
- No coloque múltiples bases de enchufes portátiles o fuentes de alimentación portátiles detrás del aparato.

### PRECAUCIÓN

**Para reducir el riesgo de lesiones leves a personas, funcionamiento erróneo o daños al producto o a la propiedad cuando use este producto, siga las siguientes instrucciones básicas de seguridad:**

#### **Instalación**

- No incline el aparato para tirar de él o empujarlo durante el transporte.
- Asegúrese de no pillarse una parte del cuerpo, como la mano o el pie, cuando mueva el dispositivo.

## **Funcionamiento**

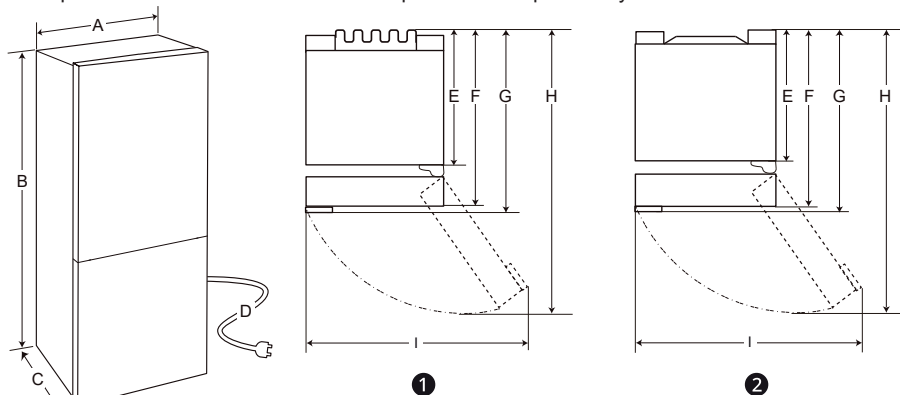
- No toque los alimentos congelados o las piezas de metal del compartimiento del congelador con las manos mojadas o húmedas. Podrían producirse lesiones por congelación.
- No coloque recipientes de vidrio, botellas o latas (especialmente las que contienen bebidas carbonatadas) en el congelador, en los estantes o en el contenedor de hielo, ya que se verán expuestos a temperaturas de congelación.
- El cristal templado del frontal de la puerta del electrodoméstico o los estantes puede sufrir daños por impactos. Si se rompe, no lo toque con las manos.
- No se cuelgue de las puertas del aparato, la zona de almacenamiento, estante ni se encarama sobre ellos.
- No almacene una cantidad excesiva de botellas de agua o contenedores para guarniciones en las cestas de la puerta.
- Evite que los animales mordisqueen el cable de alimentación o el conducto del agua.
- No ejerza una fuerza excesiva para abrir o cerrar el aparato.
- Si la bisagra de la puerta del aparato está dañada o no funciona correctamente, deje de usarlo y póngase en contacto con un centro de servicio de LG Electronics.
- No limpie los estantes o cubiertas de vidrio con agua tibia cuando estén fríos.
- Nunca coma alimentos congelados inmediatamente después de que hayan sido sacados del compartimiento del congelador.
- Asegúrese de no pillarse la mano o el pie al abrir o cerrar la puerta del electrodoméstico.

## **Mantenimiento**

- No inserte los estantes del revés, dado que podrían caerse.
- Para eliminar la escarcha del aparato, póngase en contacto con un centro de información al cliente de LG Electronics.

## Dimensiones y separaciones

Colocar objetos a una distancia demasiado reducida puede provocar una disminución de la capacidad de congelación y aumentar el coste de la electricidad. Cuando instale el aparato, deje una separación de más de 50 mm con respecto a cada pared adyacente.



	1		2	
	Tamaño [mm]			
	Asa de bolsillo	Asa de barra	Asa de bolsillo	Asa de barra
A	595	595	595	595
B	1 860 / 2 030	1 860 / 2 030	1 860 / 2 030	1 860 / 2 030
C	682	718	675	712
D	2 100	2 100	2 100	2 100
E	616	616	610	610
F	682	682	675	675
G	-	718	-	712
H	1 230	1 237	1 225	1 232
I	995	995	995	995

### NOTA

- Las medidas de la tabla anterior son aproximadas.

## Temperatura ambiente

- El aparato está diseñado para funcionar dentro de un intervalo de temperaturas ambiente limitado, en función de la zona climática.
- Las temperaturas internas pueden verse afectadas por la ubicación del aparato, la temperatura ambiente, la frecuencia de apertura de la puerta y otros factores.
- La clase climática se puede consultar en la etiqueta de características.

Clase climática	Intervalo de temperatura ambiente en °C
SN (Templado Ampliado)	+10 - +32
N (Templado)	+16 - +32
ST (Subtropical)	+16 - +38
T (Tropical)	+16 - +43 / +10 - +43*

\*Australia, India y Kenia

### NOTA

Los aparatos clasificados de SN a T están diseñados para ser utilizados a una temperatura ambiente de entre 10 °C y 43 °C.

## Notas sobre el funcionamiento

- Los usuarios deben tener en cuenta que se puede formar escarcha si la puerta no está completamente cerrada, si la humedad es alta durante el verano, o si la puerta del congelador se abre con frecuencia.
- Asegúrese de que haya suficiente espacio entre los alimentos almacenados del estante o de la puerta para permitir que la puerta se cierre por completo.
- La apertura de la puerta durante largos periodos de tiempo puede provocar un incremento significativo de la temperatura de los compartimentos del electrodoméstico.
- Si el electrodoméstico de refrigeración se queda vacío durante largos periodos de tiempo, apague, descongele, limpie, seque, y deje la puerta abierta para prevenir el desarrollo de moho dentro del electrodoméstico.

## Sugerencia para ahorrar energía

- Asegúrese de que haya suficiente espacio entre los alimentos almacenados. Esto permite que el aire frío se distribuya de manera uniforme y reduce las facturas de electricidad.
- Almacene comida caliente solo después de que se haya enfriado con el fin de evitar rocío o escarcha.
- Al almacenar comida en el compartimento del congelador, ajuste la temperatura del congelador por debajo de la temperatura indicada en la comida.
- No introduzca alimentos cerca del sensor de temperatura del compartimento del frigorífico. Mantenga una distancia de al menos 3 cm desde el sensor.
- Tenga en cuenta que un aumento de temperatura después de la descongelación tiene un rango permisible en las especificaciones del aparato. Si desea minimizar el impacto que esto puede tener en la conservación de los alimentos debido a un aumento de la temperatura, selle o envuelva los alimentos almacenados en varias capas.
- El sistema de descongelación automática del aparato garantiza que el compartimento se mantiene libre de escarcha en condiciones de funcionamiento normales.
- Para lograr el uso más eficiente de la energía, mantenga todas las piezas internas (p. ej. contenedores de las puertas, cajones y estantes) en su lugar original.

- No ajuste la temperatura del electrodoméstico por debajo de lo necesario.

## Almacenamiento eficaz de alimentos

- Guarde los alimentos congelados o refrigerados dentro de recipientes sellados.
- Compruebe la fecha de caducidad y la etiqueta (instrucciones de almacenamiento) antes de almacenar alimentos en el aparato.
- No guarde alimentos durante un largo período de tiempo si se estropean fácilmente a una temperatura baja.
- Guarde la comida refrigerada o congelada dentro del frigorífico o congelador, según corresponda, inmediatamente después de comprarla. Evite recongelar cualquier alimento que ya haya sido completamente descongelado. La congelación de cualquier alimento que haya sido completamente descongelado de nuevo disminuirá su sabor y nutrición.
- Almacene la carne y el pescado crudo en contenedores adecuados en el frigorífico, para que no estén en contacto con otros alimentos ni goteen sobre ellos.
- No envuelva ni guarde las verduras con papel de periódico. Los materiales impresos como periódicos u otras sustancias extrañas podrían manchar y contaminar los alimentos.
- No llene demasiado el aparato. El aire frío no puede circular correctamente si el artefacto está demasiado lleno.
- Si configura una temperatura demasiado baja para la comida, podría llegar a congelarla. No configure una temperatura más baja que la temperatura requerida para que la comida se almacene correctamente.
- Para obtener más espacio, puede quitar el botellero, la bandeja para huevos, la bandeja para hielos y el cajón convertidor fresco.
- Los alimentos podrían congelarse o estropearse si se almacenan a una temperatura incorrecta. Ajuste el frigorífico a la temperatura correcta para los alimentos almacenados.



## Capacidad máxima de congelación

- La función Express Freeze establecerá el congelador en su capacidad máxima de congelación. Esto generalmente toma hasta 24 horas y se apaga automáticamente.
- Si se va a utilizar la capacidad de congelación máxima, Express Freeze debe encenderse durante siete horas antes de colocar el producto fresco en el compartimento del congelador.

## Congelar la cantidad máxima de alimentos

- Para conseguir una mejor circulación del aire, introduzca todos los cajones.
- Si van a guardarse grandes cantidades de comida, se deberán sacar todos los cajones del electrodoméstico, y la comida se deberá apilar directamente en el estante (o estantes) del congelador y el compartimento del congelador.

### NOTA

- Para quitar los cajones, primero retire la comida de los cajones y luego tire de los cajones con cuidado. No hacerlo podría causar lesiones o daños a los cajones.
- La forma de cada cajón puede ser diferente; insértelo en la posición adecuada.

## Ajuste de la temperatura

Esto ajusta la temperatura del frigorífico o la temperatura del congelador.

- Pulse el botón **Fridge** o **Freezer** para ajustar la temperatura.
- La temperatura puede ajustarse.
  - Frigorífico: entre 1 °C y 7 °C
  - Congelador: entre -15 °C y -23 °C
- Se ajusta la temperatura inicial.
  - Frigorífico: 3 °C
  - Congelador: -18 °C

La temperatura interior real varía dependiendo del estado de la comida, ya que la temperatura de configuración indicada es una temperatura objetivo, y no la temperatura real en el interior del aparato.

### NOTA

- El ajuste de temperatura predeterminado puede variar en función del electrodoméstico.
- Para una conservación óptima de los alimentos, se recomienda aumentar o disminuir 1 °C o un nivel desde la temperatura predeterminada para cada compartimento.
- Espere que pasen hasta 2 o 3 horas después de conectar el aparato a la toma de corriente antes de almacenar alimentos en el aparato.

- Para la producción de hielo en un clima normal, la temperatura del congelador debe ajustarse a -18 °C o menos.

## Alarma de alta temperatura

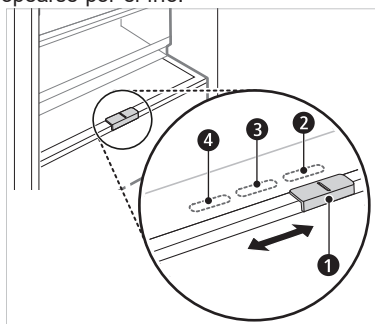
Cuando la temperatura del congelador sube demasiado debido a un fallo de energía, la lámpara LED de temperatura del congelador parpadea y suena una alarma.

- Presione el botón **Freezer** para detenerlo.
- Si la temperatura es suficientemente fría, el parpadeo y la alarma se detendrán automáticamente.
- Esta función está activada:
  - Cuando el frigorífico está encendido.
  - Cuando el compartimento del congelador se calienta demasiado.
  - Cuando hay un corte de energía que dura por un largo período de tiempo.
  - Cuando se colocan grandes cantidades de alimentos calientes en el compartimento del congelador.
  - Cuando la puerta del congelador se deja abierta demasiado tiempo o con demasiada frecuencia.

## Convertidor fresco ( \* )

Como compartimento de enfriamiento, la temperatura en el convertidor fresco se puede controlar deslizando la palanca ①, que se encuentra en el frontal del compartimento, en cualquier dirección.

Si el selector está en la posición de carne o pescado y se guardan verduras. Éstas podrían estropearse por el frío.



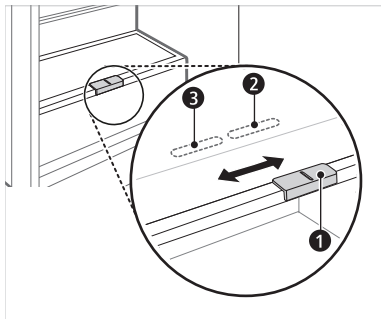
- ② para almacenar vegetales. (Recomendado)
- ③ para almacenar peces.
- ④ para almacenar carne.

### NOTA

- ( \* ) : Esta función varía según el modelo adquirido.

## Cajón de verdura fresca ( \* )

El compartimento de verduras puede ajustar la humedad moviendo el selector ❶.



- ❷ para almacenar vegetales. (Recomendado)
- ❸ para almacenar fruta.

### NOTA

- ( \* ) : Esta función varía según el modelo adquirido.

## Compartimentos de almacenamiento de alimentos

### Almacenamiento de alimentos en el compartimento del frigorífico

- **Estante del frigorífico**
  - Lugar donde se guardan alimentos refrigerados y otros artículos.
  - La altura del estante se puede regular introduciéndolo en otra ranura de una altura distinta.
  - Guarde los alimentos con mayor contenido de humedad en la parte delantera del estante.
  - El número real de estantes difiere de un modelo a otro.
- **Botellero (\*)**
  - Aquí es donde se almacenan bebidas, botellas altas o contenedores.
- **Estante plegable (\*)**
  - Aquí es donde se almacenan alimentos refrigerados y artículos altos.
- **Cajón de verdura fresca (\*)**
  - Aquí es donde se almacenan las frutas y verduras para ayudar a mantener la frescura ajustando el controlador de humedad.
  - La apariencia o componentes del aparato pueden diferir de un modelo a otro.
- **Convertidor fresco (\*)**
  - Como compartimento de enfriamiento, aquí es donde se almacenan la carne, el pescado y las verduras. Ayuda a mantener la frescura ajustando el controlador de humedad ubicado en la parte posterior del compartimiento del frigorífico.
  - Para obtener más espacio, puede usar el área de enfriamiento sin el cajón de enfriamiento del compartimento.
- **Bandeja móvil para huevos**
  - Aquí es donde se almacenan los huevos.
  - Puede moverlo y usarlo en la posición deseada según sea necesario. Sin embargo, no lo use como recipiente para hielo ni lo coloque en el estante en la parte superior del frigorífico ni en el cajón de las verduras.

- **Cesta de la puerta del frigorífico**

- Lugar en el que se guardan pequeños envases de alimentos refrigerados, bebidas y botes de salsa

- **Depósito del dispensador de agua (\*)**

- Aquí es donde se almacena el agua para suministrar al dispensador o a la máquina de hielo automática. Requiere ser llenado manualmente. (Solo modelos no conectados a la red de agua)

### Almacenamiento de alimentos en el compartimento del congelador

- **Bandeja de hielo**

- Aquí es donde se produce y almacena el hielo.
- Para obtener más espacio, puede quitar la bandeja o cubitera de cubitos de hielo.

- **Cajón del congelador**

- Lugar para el almacenamiento a largo plazo de alimentos congelados.
- Para congelar rápidamente los alimentos, guarde los alimentos en el lado izquierdo del cajón superior. Los alimentos se congelarán más rápidamente en el cajón.

#### NOTA

- (\*) : Esta función varía según el modelo adquirido.
- Para obtener más información sobre otros compartimentos, visite [lg.com](http://lg.com) y descargue los manuales del propietario.

## Panel de control

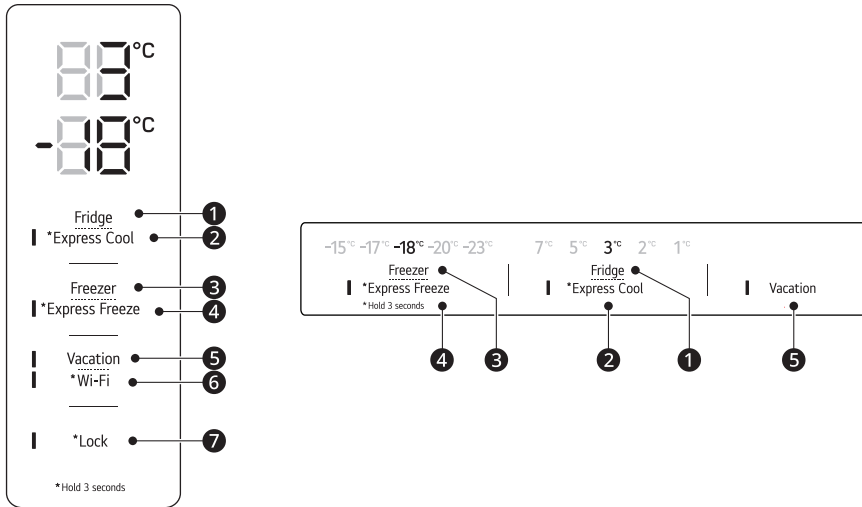
El panel de control puede variar de un modelo a otro.

### Panel de control y funciones

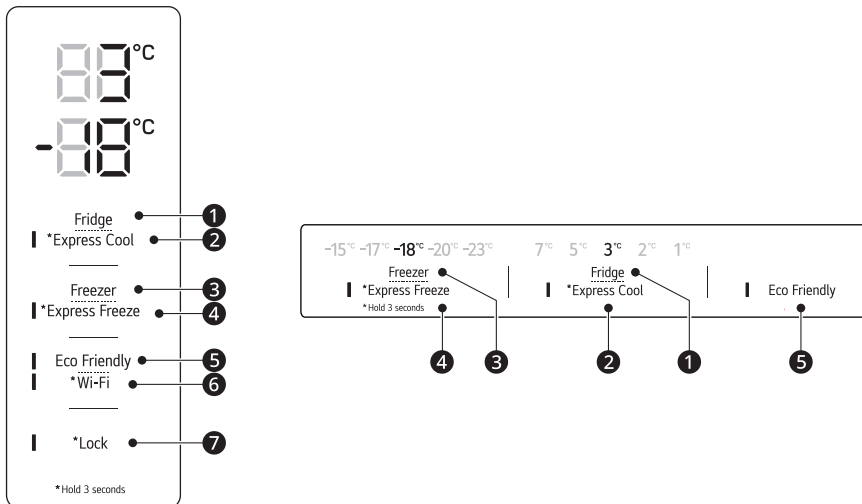
\*1 Esta característica está solo disponible en algunos modelos.

El panel de control puede encontrarse en la puerta del frigorífico o dentro del frigorífico dependiendo del modelo.

#### Tipo A



#### Tipo B



- ❶ **Fridge**  
Presione este botón repetidamente para seleccionar la temperatura deseada entre 1 °C y 7 °C.
  - La temperatura predeterminada del frigorífico inicial es de 3 °C.
- ❷ **Express Cool**  
Esta función puede enfriar rápidamente una gran cantidad de alimentos como verduras, frutas, etc.
  - Esta función se activa o desactiva cada vez que se pulsa el botón durante 3 segundos.
- ❸ **Freezer**  
Presione este botón repetidamente para seleccionar la temperatura deseada entre -15 °C y -23 °C.
  - La temperatura predeterminada del congelador inicial es de -18 °C.
- ❹ **Express Freeze**  
Con esta función, el electrodoméstico puede elaborar rápidamente una gran cantidad de hielo o congelar una gran cantidad de alimentos.
  - Presione el botón **Express Freeze** para activar la función durante 24 horas. La función se desactiva automáticamente después de 24 horas.
  - Esta función se activa o desactiva cada vez que se pulsa el botón durante 3 segundos.
  - Cuando este modo está activado, puede producirse ruido y aumentar el consumo de energía.
- ❺ **Vacation**  
Esta función es útil cuando usted está de vacaciones. Cuando esta función está activada, la temperatura del frigorífico es de 7 °C y la temperatura del congelador es de -15 °C. Cuando esta función está desactivada, la temperatura del frigorífico y del congelador vuelven a los ajustes previos de temperatura.
  - Esta función se activa o desactiva cada vez que se pulsa el botón.
  - Cuando este modo está activado, los demás botones no funcionan excepto los botones **Lock** y **Wi-Fi**.
  - Se ha renombrado **Eco Friendly** como **Vacation**.

## ⚠ PRECAUCIÓN

- Cuando esta función está activada, tenga cuidado al almacenar alimentos que requieran una temperatura inferior a la temperatura predeterminada.
- Cuando vuelva a casa, recuerde de **sactivar** esta función para desbloquear los otros botones y devolver el frigorífico a sus ajustes de temperatura anteriores.

### ❻ **Wi-Fi**<sup>\*1</sup>

Este botón permite al electrodoméstico conectarse a un red Wi-Fi doméstica. Consulte la sección **SMART FUNCTIONS** para obtener más información sobre la configuración inicial de la aplicación **LGThinQ**.

### ❼ **Lock**<sup>\*1</sup>

Permite bloquear los botones del panel de control.

- Para bloquear los botones del panel de control, mantenga pulsado el botón **Lock** durante 3 segundos hasta que la función se active.
- Para desactivar esta función, mantenga pulsado el botón **Lock** durante 3 segundos hasta que la función se desactive.

## NOTA

- Para una conservación óptima de los alimentos, se recomienda aumentar o disminuir 1 °C o un nivel desde la temperatura predeterminada para cada compartimento.
- La temperatura mostrada es la temperatura objetivo, y no la temperatura real del interior del aparato.
- La temperatura real del interior del aparato depende de los siguientes factores: temperatura ambiente, la cantidad de comida y frecuencia de apertura de puertas o el lugar donde se encuentre el aparato. Ajuste las temperaturas en función de estos factores.
- El panel de control se apagará de forma automática para ahorrar energía.
- Si mientras limpia el panel de control se produce algún contacto con un dedo o su piel, la función del botón pulsado podría accionarse.

## Aplicación LG ThinQ

Esta función está solo disponible en los modelos con Wi-Fi.

La aplicación **LG ThinQ** le permite comunicarse con el aparato usando un teléfono inteligente.

## Características de la aplicación LG ThinQ

Comuníquese con el aparato desde un teléfono inteligente utilizando las cómodas funciones inteligentes.

### Smart Diagnosis

- Si sufre algún problema mientras usa la aplicación, esta función smart diagnosis le ayudará a diagnosticar el problema.

### Ajustes

- Le permite ajustar diversas opciones en el aparato y en la aplicación.

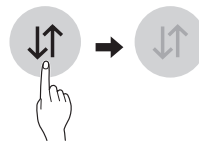
### NOTA

- Si cambia el router inalámbrico, el proveedor de servicios de Internet o la contraseña, elimine el aparato registrado de la aplicación **LG ThinQ** y regístrelo de nuevo.
- El aparato podría verse modificado para realizar mejoras en él sin previo aviso a los usuarios.
- Las funciones pueden variar según el modelo.

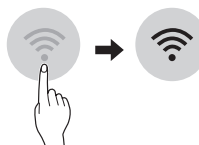
## Antes de usar de la aplicación LG ThinQ

- 1 Compruebe la distancia entre el electrodoméstico y el router inalámbrico (red Wi-Fi).
  - Si hay demasiada distancia entre el electrodoméstico y el router inalámbrico, la intensidad de la señal se reducirá. Es posible que el registro tarde mucho tiempo en realizarse o que la instalación no se lleve a cabo correctamente.

- 2 Desactive la función **Datos móviles** o **Datos celular** de su teléfono inteligente.



- 3 Conecte el smartphone al router inalámbrico.



### NOTA

- Para verificar la conexión Wi-Fi, compruebe que el icono del panel de control esté iluminado.
- El dispositivo solo es compatible con redes Wi-Fi de 2,4 GHz. Para comprobar la frecuencia de red, póngase en contacto con su proveedor de servicios de Internet o consulte el manual del router inalámbrico.
- **LG ThinQ** no se hace responsable de ningún problema o fallo de conexión a la red, mal funcionamiento o errores causados por la conexión de red.
- Si el aparato tiene algún problema para conectarse a la red Wi-Fi, es posible que sea porque está demasiado lejos del router. Adquiera un repetidor Wi-Fi (un amplificador de alcance inalámbrico) para incrementar la señal Wi-Fi.
- Es posible que la conexión Wi-Fi no se establezca o se vea interrumpida debido al entorno de la red doméstica.
- La conexión de red podría no funcionar correctamente con algunos proveedores de servicios de Internet.
- El entorno inalámbrico circundante puede hacer que el servicio de red inalámbrica tenga un funcionamiento muy lento.
- El electrodoméstico no puede registrarse debido a problemas en la transmisión de la señal inalámbrica. Desenchufe el electrodoméstico y espere aproximadamente un minuto para volver a intentarlo.
- Si el firewall del router inalámbrico está activado, desactive el firewall o añada una excepción.

- El nombre de la red inalámbrica (SSID) debe ser una combinación de letras del alfabeto inglés y números (no utilice caracteres especiales).
- La interfaz de usuario (UI) del smartphone puede variar en función del sistema operativo (SO) móvil y el fabricante.
- Si el protocolo de seguridad del router está establecido en **WEP**, es posible que no pueda configurar la red. Cambie a otros protocolos de seguridad (se recomienda **WPA2** ) y vuelva a registrar el producto.


## Instalación de la aplicación LG ThinQ

Busque la aplicación **LG ThinQ** en Google Play Store o Apple App Store en un smartphone.

- Siga las instrucciones para descargar e instalar la aplicación.

## Conectando a Wi-Fi

Cuando se utiliza el botón **Wi-Fi** con la aplicación **LG ThinQ**, permite conectar el frigorífico a una red Wi-Fi doméstica.

El icono  muestra el estado de la conexión de red del frigorífico. El icono se ilumina cuando el frigorífico está conectado a la red Wi-Fi.


### Registro inicial del aparato

- Ejecute la aplicación **LG ThinQ** y siga las instrucciones de la aplicación para registrar el aparato.

### Volver a registrar el aparato o registrar a otro usuario

- Mantenga presionado el botón **Wi-Fi** durante 3 segundos para apagarlo temporalmente. Ejecute la aplicación **LG ThinQ** y siga las instrucciones de la aplicación para registrar el aparato.

## NOTA

- Para desactivar la función de Wi-Fi, mantenga presionado el botón **Wi-Fi** durante 3 segundos. El icono de  se apagará.

## Información del aviso de software de código abierto

Para obtener el código fuente bajo GPL, LGPL, MPL y otras licencias de fuentes abiertas que tengan las obligaciones de revelar un código fuente, que esté contenido en este producto, y para acceder a todos los términos sobre licencia referidos, así como a los avisos sobre copyright y otros documentos relevantes, por favor, visite <https://opensource.lge.com>.

LG Electronics también le proporcionará código abierto en CD-ROM por un importe que cubre los gastos de su distribución (como el soporte, el envío y la manipulación) previa solicitud por correo electrónico a [opensource@lge.com](mailto:opensource@lge.com).

Esta oferta es válida para cualquier persona en posesión de esta información durante un periodo de tres años después del último envío de este producto.

## Notas sobre la limpieza

- Al retirar un estante o cajón del aparato, retire todos los alimentos almacenados en el estante o cajón para evitar lesiones o daños en el aparato.
  - De lo contrario, se podrían producir lesiones debido al peso de los alimentos almacenados.
- Si limpia los conductos de ventilación exteriores del aparato por medio de una aspiradora, entonces el cable de alimentación debe ser desenchufado de la toma de corriente para evitar cualquier descarga estática que pueda dañar la electrónica o causar una descarga eléctrica.
- Separe los estantes y cajones y límpielos con agua, y luego séquelos suficientemente, antes de volver a colocarlos.
- Limpie regularmente los sellados de la puerta con una toalla suave húmeda.
- Los derrames y manchas de la cesta de la puerta se deben limpiar, ya que pueden comprometer la capacidad de almacenamiento de la cesta e incluso podrían dañarla.
- Después de limpiar, compruebe si el cable de alimentación se ha dañado, si está caliente o si no está bien enchufado.
- Mantenga limpias las salidas de aire en el exterior del aparato.
  - Unas salidas de aire bloqueadas pueden provocar un incendio o daños en el aparato.
- Cuando limpie la parte interior o exterior del electrodoméstico, no utilice cepillos ásperos, pasta de dientes ni materiales inflamables. No utilice agentes de limpieza que contengan sustancias inflamables.
  - De lo contrario, el electrodoméstico podría decolorarse o sufrir daños.
  - Sustancias inflamables: alcohol (etanol, metanol, alcohol isopropílico, alcohol isobutílico, etc.), disolventes, lejía, benceno, líquidos inflamables, abrasivos, etc.
- Para el exterior del aparato, utilice una esponja limpia o un paño suave y un detergente suave con agua tibia. No utilice limpiadores abrasivos o ásperos. Seque cuidadosamente con un paño suave.
- No limpie nunca los estantes ni recipientes en el lavavajillas.
  - Las partes podrían deformarse debido al calor.
- Limpie las superficies regularmente que puedan entrar en contacto con alimentos y sistemas de desagüe accesibles.
- Si el aparato está equipado con una lámpara LED, no retire la cubierta de la lámpara ni la propia lámpara LED ante cualquier intento de reparación o de mantenimiento. Póngase en contacto con un centro de información al cliente de LG Electronics.

## Símbolo para marcar AEE



- El símbolo del contenedor de basura tachado con un aspa indica que la recogida separada de aparatos eléctricos y electrónicos (AEE) debe realizarse de manera separada.
- Los productos eléctricos antiguos pueden contener sustancias peligrosas de modo que la correcta eliminación del antiguo aparato ayudará a evitar posibles consecuencias negativas para el medio ambiente y para la salud humana. El antiguo aparato puede contener piezas reutilizables que podrían utilizarse para reparar otros productos y otros materiales valiosos que pueden reciclarse para conservar los recursos limitados. Este producto contiene pilas y/o acumuladores. Siempre que no sea necesaria la intervención de un profesional cualificado para ello, y antes del depósito final del producto en las instalaciones de recogida selectiva, usted debe extraer las pilas y acumuladores de forma segura y separadamente para su adecuada gestión.
- Puede llevar el aparato a cualquiera de los centros autorizados para su recogida. Para obtener la información más actualizada para su país por favor visite [www.lg.com/global/recycling](http://www.lg.com/global/recycling)



Solo España



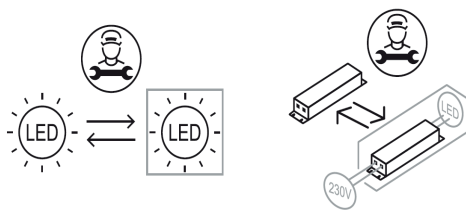
## Atención al cliente y servicio técnico

Contacte a un Centro de información al cliente de LG Electronics.

- Para encontrar información sobre centros de servicio técnico autorizados de LG visite nuestra página web en [www.lg.com](http://www.lg.com).
- Solo el personal de servicio técnico cualificado del centro de servicio técnico autorizado de LG podrá desmontar, reparar o modificar el aparato.
- El periodo mínimo de garantía de este aparato de refrigeración es de 24 meses.
- Para adquirir piezas de repuesto, centro de información al cliente de LG Electronics o en nuestra página web en [www.lg.com](http://www.lg.com).
- Las piezas de repuesto referidas en la Regulación EU 2019/2019 están disponibles durante 7 años (solamente las juntas para puerta están disponibles por 10 años).

### NOTA

- Para obtener más información sobre la eficiencia energética del aparato, visite <https://ec.europa.eu> y busque utilizando el nombre del modelo (válido desde el 1 de marzo de 2021).
- La Regulación EU 2019/2019, válida desde el 1 de marzo de 2021, está relacionada con las clases de Eficiencia energética recogidas en la Regulación EU 2019/2016.
- Escanee el código QR de la etiqueta de energía suministrada con el aparato, la cual proporciona un enlace web a la información relacionada con el rendimiento del aparato de la base de datos EU EPREL. Conserve la etiqueta de energía para consultas y todos los demás documentos suministrados con el aparato (válido desde el 1 de marzo de 2021).
- El nombre del modelo se puede consultar en la etiqueta de características del aparato.
- Este producto contiene una fuente de luz de eficiencia energética clase G.





KASUTUSJUHEND

# KÜLMIK & SÜGAVKÜLMIK

**Enne seadme kasutusele võtmist lugege läbi kasutusjuhend ning hoidke seda tuleviku tarvis alati käepärast.**

[www.lg.com](http://www.lg.com)

Täpsemat teavet saate LG veebisaidil olevast kasutusjuhendist.  
Autoriõigus © 2019-2023 LG Electronics. Kõik õigused kaitstud

# SISUKORD

See kasutusjuhend võib sisaldada pilte või teksti, mis erinevad teie poolt ostetud mudelist.

Seda kasutusjuhendit revideerib tootja aeg-ajalt.

<b>OHUTUSJUHISED .....</b>	<b>3</b>
Olulised ohutusjuhised .....	3
<b>PAIGALDAMINE.....</b>	<b>10</b>
Mõõtmed ja vahemaad .....	10
Ümbritsev õhutemperatuur .....	10
<b>KASUTAMINE.....</b>	<b>11</b>
Märkused kasutamise kohta .....	11
Värskuskonverter ( * ).....	12
Värskete köögiviljade sahtel ( * ) .....	12
Juhtpaneel .....	14
<b>NUTIFUNKTSIOONID.....</b>	<b>16</b>
LG ThinQ rakendus .....	16
<b>HOOLDAMINE.....</b>	<b>18</b>
Märkused puhastamise kohta.....	18
Teie vana seadme hävitamine .....	18
<b>VEA SELGITAMINE.....</b>	<b>19</b>

## See on kasutusjuhendi lühiversioon.

Lisainfo saamiseks palun külastage LG veebilehte aadressil <http://www.lg.com>



## Vea selgitamine



Allpool toodud ohutusjuhised aitavad ära hoida ettenägematuid riske ja kahjustusi, mis võivad tekkida toote mitteturvalisest või valest kasutamisest.

Juhised on jaotatud teemadeks „OHT” ja „ETTEVAATUST”, nagu edaspidi kirjeldatud.

 See sümbol viitab asjaoludele ja toimingutele, millega võib kaasneda risk. Lugege selle sümboli juures olev osa hoolikalt läbi ja järgige antud juhiseid riski ärahoidmiseks.

## OHT

Viitab asjaolule, et juhiste eiramine võib põhjustada tõsiseid vigastusi või surma.

## ETTEVAATUST

Viitab asjaolule, et juhiste eiramine võib tekitada tootele väiksemaid või suuremaid kahjustusi.

## OLULISED OHUTUSJUHISED

### OHT

Tulekahju, elektrilöögi või inimvigastuste vältimiseks järgige toote kasutamisel üldisi, k.a alljärgnevat ohutusnõudeid.

#### Lapsed majapidamises

- Seda seadet ei tohi kasutada isikud (k.a lapsed), kellel on piiratud füüsilised, sensoorsed või mentaalsed võimed või kellel puuduvad kogemused ja teadmised masina kasutamise kohta, kui puudub järelevalve või nende turvalisuse eest vastutav isik ei ole andnud neile juhiseid seadme kasutamise kohta. Lapsi tuleb valvata, et nad ei hakkaks seadmega mängima.
- Kui seadmel on lukk (ainult mõned mudelid), hoidke võtit lastele kättesaamatus kohas.

## Kasutamine Euroopas

- Seda seadet tohivad kasutada lapsed alates 8. eluaastast ning piiratud füüsiliste, sensoorsete ja mentaalsete võimetega isikud, või isikud, kellel puuduvad kogemused ja teadmised seadme kasutamise kohta ainult siis, kui neile on tagatud järelevalve või antud juhised seadme turvalise kasutamise kohta ja nad saavad aru võimalikest ohtudest. Lapsed ei tohi seadmega mängida. Lapsed ei tohi teha seadme puhastus- ja hooldustöid ilma järelevalve.

- Lapsed vanuses 3 kuni 8 aastat tohivad külmutusseadmeid täita ja tühendada.

## Paigaldamine

- Seda seadet peaks transportima vaid kahe või enama inimese abil seadet kindlalt kinni hoides.

- Veenduge, et pistikupesa oleks korralikult maandatud ning et voolujuhtme maanduspolt ei oleks kahjustatud ega pistikust eemaldatud. Küsige lisateavet maanduse kohta LG Electronics teeninduskeskusest.

- Seade on varustatud toitejuhtmega, millel on maandussoon ja maanduspistik. Pistik peab olema ühendatud sobivasse pistikupesasse, mis on paigaldatud ja maandatud vastavalt kõikidele kohalikele eeskirjadele ja määrustele.

- Kui toitejuhe on kahjustatud või pistikupesa logiseb, ärge toitejuhet kasutage ja võtke ühendust volitatud teeninduskeskusega.

- Ärge ühendage seadet (paigaldamata) toitekaablita mitmik-pistikupesaga adapteriga.

- Ärge muutke ega pikendage toitejuhet.

- Seade tuleb ühendada spetsiaalse elektriliiniga, millel on eraldi kaitse.

- Ärge kasutage mitmik-pistikupesa, mida pole korralikult maandatud (kaasaskantav). Kui kasutate korralikult maandatud mitmik-pistikupesa (kaasaskantav), peab selle nimiväärtus olema võrdne või suurem praegusest võimsusest ja kasutage ainult seadme jaoks mõeldud pistikupesa.

- Paigaldage seade kohta, kus seda oleks võimalik lihtsalt vooluvõrgust eemaldada.

- Olge ettevaatlik ja ärge tõmmake toitejuhet pingule ning vaadake, et seade ei toetuks toitejuhtme peale.

- Paigaldage seade kindlale ja tasasele aluspinnale.

- Ärge paigaldage seadet niiskesse või tolmusesse ruumi. Ärge paigaldage ega kasutage seadet välitingimustes või kohas, kus seda võivad mõjutada ilmastikutingimused nagu päike, tuul, vihm või miinuskraadid.
- Ärge paigaldage seadet otsese päikesevalguse kätte või kütteseadmete lähedusse, nt ahjude või pliitide kõrvale.
- Paigaldage seade nii, et selle tagakülg ei jääks avatuks.
- Ärge laske seadme ukstel selle paigaldamise või eemaldamise käigus maha kukkuda.
- Ärge muljuge, pigistage ega kahjustage toitejuhet seadme ukse paigaldamise või eemaldamise käigus.
- Ärge ühendage toitepistikuga adapterit ega teisi lisaseadmeid.

## Kasutamine

- Ärge kasutage seadet mingil muul otstarbel (meditsiiniliste või katsematerjalide hoiustamiseks või transportimiseks), kui vaid kodus majapidamises toidu hoidmiseks.
- Lülitage seade vooluvõrgust välja äikesetormi ajal või kui te seadet pikemat aega ei kasuta.
- Ärge puudutage elektriühendust ega seadme juhtimissüsteemi märgade kättega.
- Ärge painutage toitejuhet liigselt ega jätke seda raskete esemete alla.
- Kui vesi satub elektriosadesse, eemaldage pistik vooluvõrgust ning pöörduge LG Electronics teeninduskeskuse poole.
- Ärge pange käsi või metallesemeid piirkonda, kust eraldub jahedat õhku, kätte sisemusse ega seadme tagaküljel olevasse võresse, kust eraldub soojust.
- Ärge rakendage seadme tagakülje katele üleliigset jõudu.
- Ärge pange seadmesse elusolendeid, nt lemmikloomi.
- Jälgige läheduses olevaid lapsi, kui avate või sulgete seadme ust. Uks võib lapsele hoobi anda ja tekitada vigastusi.
- Ennetage olukordi, kus lapsed seadme sisse lõksu võiksid jääda. Seadme sisse kinni jäänud laps võib lämbuda.
- Ärge asetage seadme peale raskeid ega õrnu esemeid, vedelikke täis mahuteid, süttivaid aineid, põlevaid esemeid (nagu küünlad, lambid jms) või kütteseadmeid (nagu pliite, radiaatoreid jms).

- Kui on tegemist gaasilekkega (isobutaani, propaani, loodusliku gaasi vms), ärge puudutage seadet ega selle toitejuhet ning ventileerige ruum viivitamatult. Seade kasutab külmutusagensi (isobutaan, R600a). Kuigi kasutatava gaasi kogus on väike, peab siiski arvestama, et see on tuleohtlik. Gaasi lekkimine seadme transportimise, paigaldamise või kasutamise ajal võib põhjustada tulekahju, plahvatuse või sädemete eraldumise korral vigastusi.
- Ärge kasutage ega hoidke seadme läheduses kergesti süttivaid ja tuleohtlikke aineid (eetrit, benseeni, alkoholi, kemikaale, vedelgaasi (LPG), tuleohtlikke aerosoole, putukatõrjevahendeid, õhuvärskendajaid, kosmeetikat vms).
- Kui märkate seadme juures ebataavalist heli, lõhna või suitsu, ühendage seade koheselt vooluvõrgust lahti ja pöörduge LG Electronics teeninduskeskuse poole.
- Täitke joogiveega ainult jäämasina või veejaoturi veepaaki.
- Ärge kahjustage torusid, kus külmaagent ringleb.
- Ärge asetage seadme sisse elektroonikaseadmeid (nt küttekehi ja mobiiltelefone).

## **Hooldamine**

- Ühendage seade vooluvõrgust lahti enne, kui hakkate seda puhastama või selle sisevalgusti lampi vahetama (kui see on olemas).
- Ühendage pistik turvaliselt pistikupesasse, kui olete niiskuse ja tolmu täielikult eemaldanud.
- Ärge kunagi tõmmake toitejuhtmest, kui seadet toitevõrgust lahutate. Pistikupesast eemaldamisel hoidke pistikust alati kindlalt kinni ja tõmmake seda otsesuunas.
- Ärge pritsige vett ega süttivaid aineid (hambapasta, alkohol, lahusti, benseen, süütevedelik, hape jms) puhastamiseks seadme peale ega sisse.
- Ärge puhastage seadet karedate või metalli sisaldavate harjade, lappide või nuustikutega.
- Seadet tohib lahti võtta, parandada või muuta vaid LG Electronics teeninduskeskuse poolt volitatud personal. Seadme paigaldamisel teise asukohta võtke ühendust LG Electronics teeninduskeskusega.
- Ärge kasutage seadme sisemuse kuivatamiseks juuksefööni, ega pange halva lõhna eemaldamiseks seadmesse küünalt.
- Ärge kasutage sulatamise protsessi kiirendamiseks mehaanilisi seadmeid või muid vahendeid.

## **Käitlemine**

- Seadme ära viskamisel eemaldage uksetihend ja jätke kõik riulid ning korvid omale kohale. Hoidke lapsed seadmest eemal.
- Pange kogu pakkematerjal (kilekotid ja stüroplast) lastele kättesaamatusse kohta. Pakkematerjalid võivad põhjustada lämbumist.

## **Tehniline ohutus**

- Hoidke seadme ventileerimisavad selle sisemuses või sisseehitatud osades takistustest vabad.
- Ärge kasutage külmiku sees elektriseadmeid.
- Külmaagendi ja isolatsioonigaasi käitlemiseks kehtivad erireeglid. Konsulteerige enne nende utiliseerimist teeninduse esindajaga või muu samaväärse kvalifikatsiooniga isikuga.
- Torudest välja lekkiv külmaagent võib süttida või põhjustada plahvatust.
- Konkreetselt teie seadmes oleva külmaagendi kogus on välja toodud seadme sees oleval sildil.
- Ärge kunagi käivitage seadet, millel on kahjustusi. Kahtluse korral konsulteerige oma edasimüüjaga.
- See seade on mõeldud kasutamiseks vaid koduses majapidamises ja sarnastes kohtades. Seda ei tohi kasutada kommertslikel eesmärkidel või toitlustuse alal ega ka liikuvatel alustel nagu karavanid või paadid.
- Ärge hoidke seadmes plahvatusohtlikke aineid, nagu kergestisüttivate ainete aerosoolpudeleid.
- See jahutusseade ei ole mõeldud kasutamiseks sisseehitatud seadmena.



## Tulekahju oht ja tuleohtlikud materjalid



See sümbol juhib teie tähelepanu tuleohtlikele materjalidele, mis võivad ettevaatamatuse korral süttida ja põhjustada tulekahju.

- See seade sisaldab väikest kogust isobutaan-külmutusagensi (R600a), kuid see on tuleohtlik. Seadme transportimise ja paigaldamise ajal peab jälgima, et külmaagendi ringluse osad ei saaks kahjustada.
- Kui olete avastanud lekke, vältige lahtist tuld ning teisi süttimist põhjustavaid allikaid ruumis ja õhutage ruumi, kus seade mitmeid minuteid seisma peab. Külmaagendi ringluses tekkinud lekke korral gaasi ja õhu segu süttimise vältimiseks peab ruumi suurus, kus seadet kasutatakse, vastama seadmes kasutatud külmaagendi kogusele. Iga 8 g külmaagent R600a kohta peab ruumis olema pinda 1 m<sup>2</sup>.
- Seadme paigutamisel veenduge, et toitekaabel ei takerdu ja seda ei kahjustata.
- Ärge paigutage seadme taha mitmeid pikenduskaableid ega toiteseadmeid.

## **ETTEVAATUST**

**Vigastuste ohu, seadme rikete, seadme või muu vara kahjustada saamise ohu vähendamiseks järgige üldiseid ohutusnõudeid, k.a alljärgnevat:**

### **Paigaldamine**

- Ärge kallutage ega lükake seadet selle transportimise ajal.
- Veenduge, et te ei jätaks ühtki kehaosa, nagu näiteks kätt või jalga, seaded liigutades selle vahele.

### **Kasutamine**

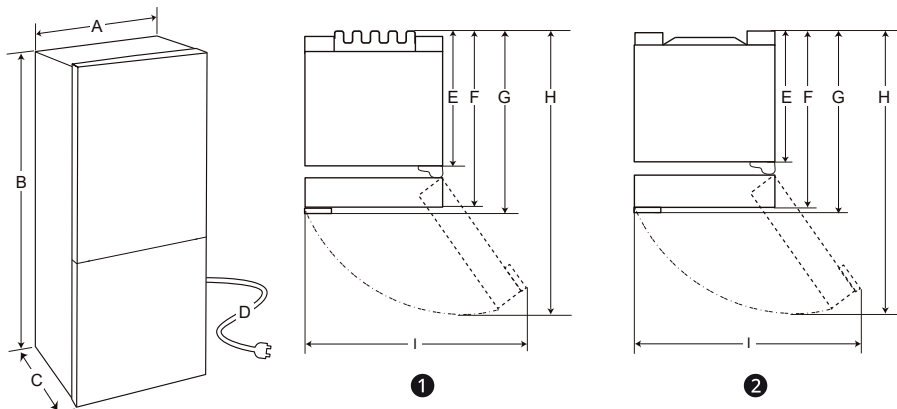
- Ärge puudutage sügavkülmikus olevat külmunud toitu ega metallosi märgade või niiskete kätega. See võib põhjustada külmakahjustusi.
- Ärge pange klaasist mahuteid, pudeleid ega purke (eriti neid, mis sisaldavad gaseeritud jooke) sügavkülmkambrisse, riulitesse ega jääkambrisse, kus temperatuur on alla nulli.
- Seadme ukse või riulite esiküljel olev karastatud klaas võib löögi tõttu puruneda. Kui see on katki, ärge seda paljaste kätega puudutage.
- Ärge asetage keharaskust seadme ustele, hoiustamiskohtadele, riulitele ja ärge ronige nende peale.
- Ärge hoidke üleliigset kogust veepudeleid või purke ukssel olevates korvides.
- Jälgige, et loomad ei näriks toitejuhet ega veetoru.
- Ärge kasutage seadme ukse avamiseks või sulgemiseks liigset jõudu.
- Kui seadme uksehing on kahjustatud või ei tööta korralikult, siis lõpetage seadme kasutamine ja võtke ühendust volitatud teeninduskeskusega.
- Ärge puhastage klaasist riuleid ja katteid sooja veega, kui nad on veel külmad.
- Ärge kunagi sööge külmutatud toitu kohe pärast selle sügavkülmikust väljavõtmist.
- Veenduge, et te ei jätaks kätt ega jalga seadme seda avades seadme ukse vahele.

### **Hooldamine**

- Ärge sisestage riuleid tagurpidi. Need võivad maha kukkuda.
- Seadmest jää eemaldamiseks pöörduge LG Electronics teeninduskeskuse poole.

## Mõõtmed ja vahemaad

Kui seade asub külgnevatele esemetele liiga lähedal, siis võib see põhjustada külmumisvõime halvenemist ja elektrikulude suurenemist. Seadme paigaldamisel jätke seadme ja külgnevate seinte vahele vähemalt 50 mm.



	①		②	
Suurus [mm]				
	Süviskäepide	Eenduv käepide	Süviskäepide	Eenduv käepide
A	595	595	595	595
B	1 860 / 2 030	1 860 / 2 030	1 860 / 2 030	1 860 / 2 030
C	682	718	675	712
D	2 100	2 100	2 100	2 100
E	616	616	610	610
F	682	682	675	675
G	-	718	-	712
H	1 230	1 237	1 225	1 232
I	995	995	995	995

### TÄHELEPANU

- Ülaltoodud tabelis esitatud mõõtmed on ligikaudsed.

## Ümbritsev õhutemperatuur

- Seade on mõeldud kasutamiseks piiratud välistemperatuuriga kliimatingimustes.
- Sisetemperatuuri võivad mõjutada seadme asukoht, ümbritsev õhutemperatuur, ukse avamise sagedus jne.
- Kliimatüübi leiata andmesildilt.

Kliimatüüp	Välistemperatuuri vahemik °C
SN (Laiendatud Parasvööde)	+10 - +32
N (Parasvööde)	+16 - +32
ST (Subtroopiline)	+16 - +38
T (Troopiline)	+16 - +43 / +10 - +43*

\*Austraalia, India, Keenia

### TÄHELEPANU

Seadmed hinnanguga SN kuni T on mõeldud kasutamiseks ümbritsevas keskkonnas temperatuurivahemikuga 10 °C kuni 43 °C.

## Märkused kasutamise kohta

- Kasutajad peaksid meeles pidama, et ukse mittetäielik sulgemine, kõrge niiskustase suvisel ajal ja sügavkülmiiku ukse sage avamine võib põhjustada jää teket.
- Jätke riulil või ukseahelis säilitatavate toiduainete vahele piisavalt ruumi, see võimaldab ukse korralikku sulgemist.
- Ukse avamine pikaks ajaks võib põhjustada seadme sahtlites temperatuuri märkimisväärset suurenemist.
- Kui külmutusseade jäetakse pikemaks ajaks tühjaks, lülitage see välja, sulatage, puhastage, kuivatage ja jätke selle uks lahti, et vältida hallituse tekkimist seadmes.

## Soovitused energia säästmiseks

- Jätke säilitatavate toiduainete vahele piisavalt ruumi. See võimaldab külmal õhul ühtlaselt ringelda ja säästab energiat.
- Asetage soe toit külmikusse alles pärast maha jahutamist, see hoiab ära kaste ja külmumise tekke.
- Kui hoiate toitu sügavkülmiikus, seadistage sügavkülmiiku temperatuur madalamaks, kui toiduainetele märgitud.
- Ärge pange toiduaineid külmiku temperatuurianduri lähedale. Hoidke andurist vähemalt 3 cm vahemaad.
- Pange tähele, et vastavalt seadme spetsifikatsioonile võib temperatuur teatud piirini tõusta. Kui te soovite antud temperatuuri tõusu mõju toiduainetele vähendada, pakkige toiduained mitmekihilisse pakendisse.
- Seadme automaatne sulatamissüsteem tagab, et tavalistes töötingimustes jää seadmesse ei kogune.
- Kõige tõhusama energiakasutuse tagamiseks hoidke kõik sisemised osad (nt uksekorvid, sahtlid ja riulid) originaalasukohas.
- Ärge seadistage seadme temperatuuri madalamaks kui vaja.

## Toiduainete efektiivne säilitamine

- Hoidke külmutatud või jahutatud toitu kaanega anumates.
- Vaadake aegumistähtaegasid ja toiduainete silte (hoiustamistingimusi) enne kui toidu seadmesse asetate.
- Ärge säilitage toitu pika aja vältel, kui see madalatel temperatuuridel kiiresti rikneb.

- Pange jahutatav või külmutatav toit sügavkülmiikusse või külmiikusse võimalikult kiiresti pärast toidu ostmist.
- Säilitage toorest liha ja kala külmiikus sobivates mahutites, et need ei puutuks kokku teiste toitudega ega tilguks nendele.
- Vältige toidu uuesti külmutamist, kui see on kord juba üles sulatatud. Täiesti ülesse sulanud toidu taaskülmutamine kaotab ära toidu maitse ja toiteväärtuse.
- Ärge mähkige ja hoiustage köögivilju ajalehepaberis. Ajalehtede trükivärv ja teised võõrad ained võivad toitu määrida ja saastada.
- Ärge koormake seadet üle. Külmi õhk ei saa korralikult ringelda, kui seade on ülekoormatud.
- Kui te seadistate toidu säilitamiseks väga madala temperatuuri, võib see läbi külmuda. Ärge seadistage temperatuuri madalamaks kui toidu õige säilitamiseks nõutav temperatuur.
- Täiendava ruumi saamiseks võite eemaldada pudeliriuli, munakandiku, jääkandiku ja värskuskonverteri sahtli.
- Valel temperatuuril säilitamisel võib toit külmuda või rikneda. Seadistage külmiik säilitatava toidu jaoks õigele temperatuurile.

## Maksimaalne sügavkülmutamise võimsus

- Ekspresskülmutamise funktsioon lülitab sügavkülmiiku selle maksimaalsele külmutamisvõimsusele. Tavaliselt võtab see aega kuni 24 tundi ja lülitub automaatselt välja.
- Maksimaalse sügavkülmutamise võimsuse kasutamisel tuleb ekspresskülmutamine lülitada sisse seitse tundi enne värskete toiduainete asetamist sügavkülmiikusse.

## Maksimaalse toidukoguse külmutamine

- Parema õhuringluse saamiseks sisesta kõik sahtlid.
- Kui hoiustatakse suures koguses toitu, tuleb kõik sügavkülmiiku sahtlid seadest välja võtta ning toit tuleb laduda virna otse sügavkülmiiku riulile (või riulitele) või sügavkülmiiku kambrisse.

## TÄHELEPANU

- Sahtlite eemaldamiseks võtke esmalt sahtlitest toit välja ning seejärel tõmmake sahtlid ettevaatlikult välja. Juhiste eiramine võib põhjustada vigastusi või kahjustada sahtleid.
- Iga sahtli kuju võib olla erinev, sisestage need õiges asendis.

## Temperatuuri seadistamine

Seadistab sügavkülmiku või külmiku temperatuuri.

- Temperatuuri reguleerimiseks vajutage nuppu **Fridge** või nuppu **Fridge**.
- Temperatuuri saab seadistada.
  - Külmik: alates 1 °C kuni 7 °C
  - Sügavkülmik: alates -15 °C kuni -23 °C
- Esialgne temperatuur on määratud.
  - Külmik: 3 °C
  - Sügavkülmik: -18 °C

Tegelik sisetemperatuur erineb olenevalt toiduainete olekust, kuna näidikul olev seadistatud temperatuur on soovitud temperatuur, mitte tegelik temperatuur seadmes.

## TÄHELEPANU

- Vaikimisi temperatuuriseadistus võib vastavalt seadmele erineda.
- Toidu optimaalse säilitamise tagamiseks on iga kambri puhul soovitatud 1 °C või ühe taseme võrra suurendamine või vähendamine võrreldes vaikimisi temperatuuriga.
- Oodake pärast seadme sisselülitamist 2 kuni 3 tundi, enne kui panete selle sisse toidu.
- Normaalse kliima juures peaks temperatuur jää valmistamiseks olema seadistatud alla -18 °C või külmemaks.

## Kõrge temperatuuri häire

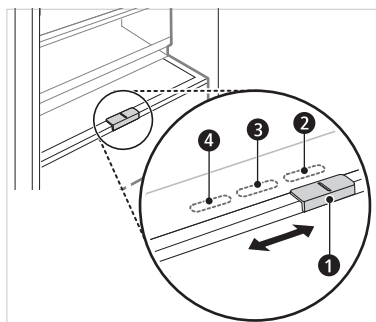
Kui sügavkülmiku temperatuur tõuseb elektrikatkestuse tõttu liiga kõrgeks, hakkab sügavkülmiku temperatuuri LED-tuli vilkuma ja kostub häire.

- Peatamiseks vajutage nuppu **Freezer**.
- Kui temperatuur on piisavalt madal, lõpevad vilkumine ja häire automaatselt.
- See funktsioon töötab:
  - Kui külmik on sisse lülitatud.
  - Kui sügavkülmik läheb liiga soojaks.
  - Kui esineb pikka aega kestev elektrikatkestus.
  - Kui sügavkülmikusse asetatakse suured kogused sooja toitu.
  - Kui sügavkülmiku uks jäetakse liiga kauaks või liiga sageli lahti.

## Värskuskonverter ( \* )

Jahutuskambrina saab värskuskonverteri temperatuuri reguleerida kambri eesosas asuvat kangi ❶ kummaski suunas libistades.

Köögiviljade säilitamisel pärast liha või kala seadistamist võivad esineda külmakahjustused.



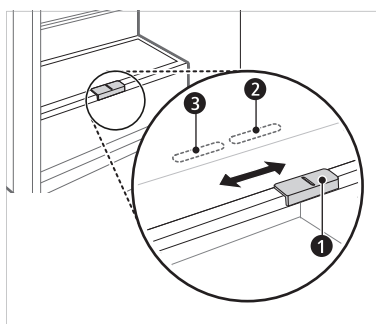
- ❷ Köögiviljade säilitamiseks. (Soovitatav)
- ❸ Kala säilitamiseks.
- ❹ Liha säilitamiseks.

## TÄHELEPANU

- ( \* ): See omadus sõltub ostetud mudelist.

## Värskete köögiviljade sahtel ( \* )

Köögiviljade kambris saab nuppu liigutades reguleerida niiskust ❶.



- ❷ Köögiviljade säilitamiseks. (Soovitatav)
- ❸ Puuviljade säilitamiseks.

## TÄHELEPANU

- ( \* ): See omadus sõltub ostetud mudelist.

## Toidu säilituskambrid

### Toidu hoidmine külmikus

- **Külmiku riul**
  - Siin saab hoida jahutatud toiduaineid jms.
  - Riili kõrgust saab seadistada, sisestades riili teise, erineva kõrgusega pilusse.
  - Hoidke suurema niiskusesisaldusega toiduaineid riili eesosas.
  - Riilite tegelik arv võib olenevalt mudelist erineda.
- **Pudeliriil (\*)**
  - Siin saab hoida kõrgetes pudelites või mahutites jooke.
- **Kokkupandav riil (\*)**
  - Siin saab hoida jahutatud toiduaineid ja kõrgeid esemeid.
- **Värskete köögiviljade sahtel (\*)**
  - Siin saab hoida puu- ja köögivilju, säilitades niiskuse regulaatori reguleerimise teel nende värskust.
  - Seadme osad võivad olenevalt mudelist pisut erineda.
- **Värskuskonverter (\*)**
  - Jahutuskambrina saab siin hoida liha, kala ja köögivilju. Saate värskuse säilitamisele kaasa aidata reguleerides külmiku kambri tagaosas asuvat niiskuse regulaatorit.
  - Täiendava ruumi vajamisel saate jahutusala kasutada ilma jahutuskambri sahtlita.
- **Liigutatav munakandik**
  - Siin saab hoida mune.
  - Saate seda vastavalt vajadusele liigutada ja kasutada seda soovitud asendis. Siiski ei tohi seda kasutada jääkonteinerina ega asetada külmiku ülemisele riulile ega köögiviljade sahtlisse.

- **Külmiku ukse korv**

- Siin saab hoida väikeseid jahutatud toiduainete pakke, jooke ja kastmepurke.

- **Veejaoturi mahuti (\*)**

- Siin hoitakse vett jaoturi või automaatse jäämasina toite jaoks. See vajab käsitsi täitmist (vaid veeühenduseta mudelitel).

### Toidu hoidmine sügavkülmikus

- **Jääkandik**

- Siin toimub jää valmistamine ja hoiustamine.
- Täiendava ruumi vajamisel saate eemaldada jääkandiku või jääkuubikute ämbri.

- **Sügavkülmiku sahtel**

- See on koht külmutatud toiduainete pikaajaliseks säilitamiseks.
- Toiduainete kiireks külmutamiseks säilitage toitu ülemise sahtli vasakul poolel. Toiduained külmuvad kõige kiiremini selles sahtlis.

### TÄHELEPANU

- (\*) : See omadus sõltub ostetud mudelist.
- Lisateabe saamiseks teiste osade kohta külastage veebisaiti [lg.com](http://lg.com) ja laadige alla kasutusjuhendid.

## Juhtpaneel

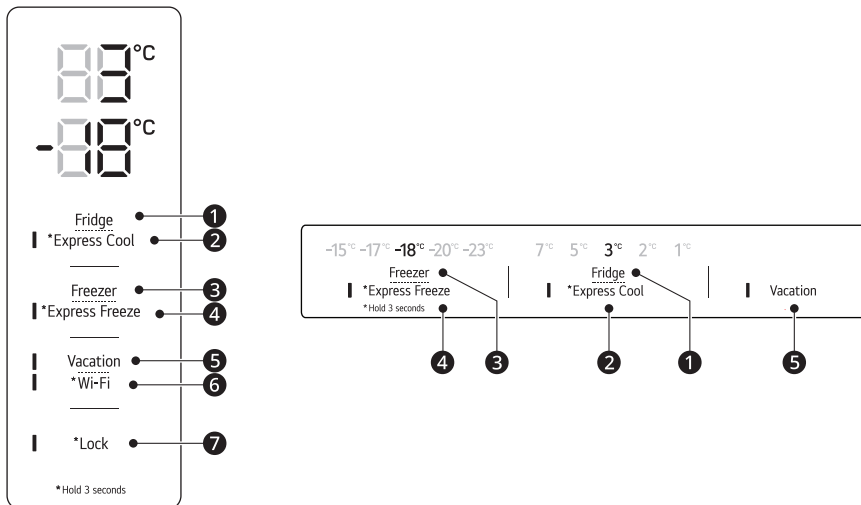
Tegelik juhtpaneel võib mudelitel olla erinev.

### Juhtpaneel ja funktsioonid

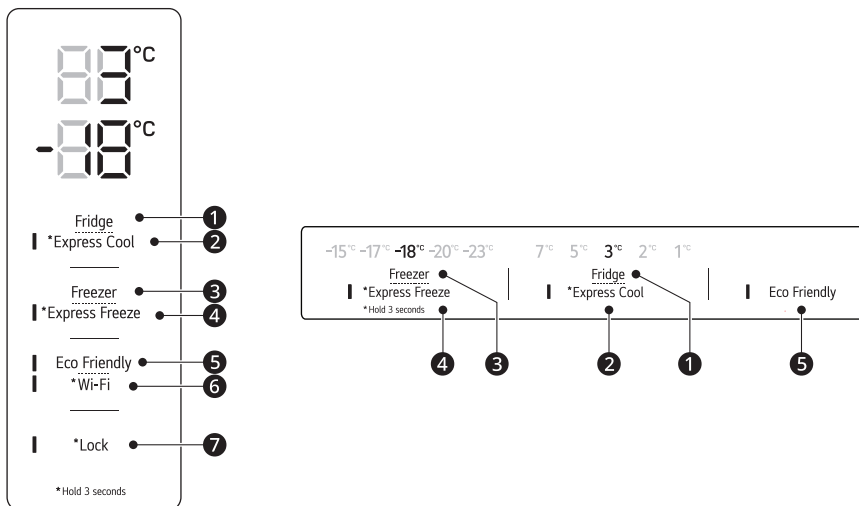
\*1 See funktsioon on olemas ainult teatud mudelitel.

Juhtpaneel asub olenevalt mudelist kas külmiku uksele või külmiku sisemuses.

#### Tüüp A



#### Tüüp B



**1 Fridge**

Vajutage seda nuppu korduvalt, et valida soovitud temperatuur vahemikus 1 °C kuni 7 °C.

- Külmiiku temperatuur on vaikimisi 3 °C.

**2 Express Cool**

See funktsioon võimaldab kiiresti jahutada suurt kogust toitu, nagu köögiviljad, puuviljad jne.

- See funktsioon hakkab tööle või lakkab töötamast, kui hoiate seda nuppu 3 sekundit all.

**3 Freezer**

Vajutage seda nuppu korduvalt, et valida soovitud temperatuur vahemikus -15 °C kuni -23 °C.

- Sügavkülmiiku temperatuur on vaikimisi -18 °C.

**4 Express Freeze**

See funktsioon võimaldab suurt kogust jääd või toitu kiiresti külmutada.

- Vajutage nuppu **Express Freeze** funktsiooni 24 tunniks aktiveerimiseks. Funktsioon lülitub 24 tunni järel automaatselt välja.
- See funktsioon hakkab tööle või lakkab töötamast, kui hoiate seda nuppu 3 sekundit all.
- Kui see režiim on sisse lülitatud, võib esineda müra ja energiatarbimine võib suurened.

**5 Vacation**

See funktsioon on kasulik, kui olete puhkuse ajal eemal. Kui see funktsioon on sisse lülitatud, on külmiiku temperatuur 7 °C ja sügavkülmiiku temperatuur -15 °C. Kui see funktsioon on välja lülitatud, lülituvad külmiik ja sügavkülmiik tagasi varasematele temperatuuriseadistustele.

- See funktsioon hakkab tööle või lakkab töötamast, kui vajutate seda nuppu uuesti.
- Selle funktsiooni töö ajal ei tööta teised nupud, välja arvatud **Lock** ja **Wi-Fi**.
- **Eco Friendly** uueks nimeks on **Vacation**.

**⚠ ETTEVAATUST**

- Kui see funktsioon on sisse lülitatud, olge vaikimisi temperatuurist madalamat temperatuuri vajavate toiduainete säilitamise suhtes ettevaatlik.
- Kogu tagasi pöördumisel pidage meeles see funktsioon välja lülitada, et avada teised nupud ja viia külmiik tagasi selle eelmistele temperatuuriseadistustele.

**6 Wi-Fi\*<sup>1</sup>**

See nupp võimaldab seadmel ühenduda a kodu Wi-Fi-võrguga. Teavet **LG ThinQ** rakenduse esialgse seadistamise kohta vt **SMART FUNCTIONS**.

**7 Lock\*<sup>1</sup>**

Lukustab nupud juhtpaneelil.

- Juhtpaneeli nuppude lukustamiseks hoidke nuppu **Lock** 3 sekundit all kuni funktsiooni aktiveerimiseni.
- Funktsiooni tühistamiseks hoidke nuppu **Lock** 3 sekundit all, kuni funktsioon deaktiveeritakse.

**TÄHELEPANU**

- Toidu optimaalse säilitamise tagamiseks on iga kambri puhul soovitatud 1 °C või ühe taseme võrra suurendamine või vähendamine võrreldes vaikimisi temperatuuriga.
- Kuvatud temperatuur on sihttemperatuur, mitte tegelik temperatuur seadmes.
- Tegelik temperatuur seadme sisemuses oleneb järgmistest teguritest: ruumi temperatuur, toidu kogus ja uste avamise sagedus, seadme asukoht. Määrake temperatuurid nende teguritega arvestades.
- Juhtpaneel lülitub energia säästmiseks automaatselt välja.
- Kui juhtpaneeli puhastamise käigus puutub teie sõrm või nahk paneeli vastu, võib puudutatud nupp tööle hakata.



## LG ThinQ rakendus

See funktsioon on saadaval ainult WiFi-ga mudelitel.

Rakendus **LG ThinQ** võimaldab teil nutitelefoni abil seadmega suhelda.

## Rakenduse LG ThinQ omadused

Suhelge seadmega nutitelefoni abil, kasutades mugavaid nutifunktsioone.

### Smart Diagnosis

- Kui teil esineb seadme kasutamisel probleeme, aitab see nutika diagnostika funktsioon teil probleemi diagnoosida.

### Seaded

- Võimaldab teil seadistada seadme ja rakenduse erinevaid valikuid.

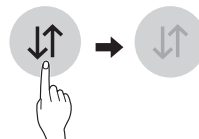
### TÄHELEPANU

- Kui muudate oma traadita ruuterit, Interneti-teenuse pakkujat või parooli, kustutage registreeritud seade **LG ThinQ** rakendusest ja registreerige see uuesti.
- Rakendus võib muutuda rakenduse täiustamise eesmärgil, ilma kasutajaid eelnevalt teavitamata.
- Omadused võivad mudeli kaupa erineda.

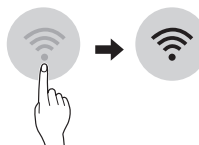
## Enne LG ThinQ rakenduse kasutamist

- 1 Kontrollige vahemaad seadme ja WiFi-ruuteri vahel (WiFi-võrk).
  - Kui vahemaa seadme ja juhtmevaba ruuteri vahel on liiga suur, muutub signaali tugevus nõrgaks. Registreerimine võib kaua aega võtta või paigaldamine ebaõnnestuda.


- 2 Lülitage oma nutitelefoni **Mobiilne andmevahetus** välja.



- 3 Ühendage oma nutitelefoni juhtmevaba ruuteriga.



## TÄHELEPANU

- WiFi-ühenduse kindlaks tegemiseks kontrollige, kas ikoon  juhtpaneelil põleb.
- Seade toetab ainult 2,4 GHz WiFi-võrke. Oma võrgu sageduse kontrollimiseks võtke ühendust oma interneti-teenuse pakkujaga või vaadake oma WiFi-ruuteri juhendist.
- **LG ThinQ** ei vastuta mistahes võrguühenduse probleemide ega defektide, rikete või vigade eest, mis võivad olla põhjustatud võrguühendusest.
- Kui seadmel on WiFi-ühendusega probleeme, võib see asuda ruuterist liiga kaugel. WiFi-signaali tugevuse parandamiseks osta WiFi-kordaja (tööraadiuse suurendaja).
- WiFi-ühendus võib jääda loomata või olla katkendlik koduse võrgukeskkonna tõttu.
- Võrguühendus ei pruugi korralikult töötada interneti teenusepakkuja tõttu.
- Ümbritsev juhtmevaba keskkond võib panna juhtmevaba teenuse aeglaselt töötama.
- Seadme registreerimine ebaõnnestus WiFi-signaali edastamise tõttu. Võtke seade pistikust välja ja oodake enne uuesti proovimist umbes minut aega.
- Kui teie juhtmevaba ruuteri tulemüür on sisse lülitatud, lülitage see välja või lisage sellele erand.
- Juhtmevaba võrgu nimi (SSID) peaks olema kombinatsioon ingliskeelse tähestiku tähtedest ja numbritest. (Ärge kasutage erisümboleid.)


- Nutitelefonis kasutusliides (UI) võib olla erinev olenevalt mobiili operatsioonisüsteemist (OS) ja tootjast.
- Kui ruuteri turvaprotokoll on määratud **WEP** peale, võib võrgu üles seadmine ebaõnnestuda. Palun muutke see teiste turvaprotokollide peale (soovitatav on **WPA2**) ja registreerige toode uuesti.

## LG ThinQ rakenduse paigaldamine

Otsige nutitelefonis Google Play Store'ist või Apple App Store'ist rakendust **LG ThinQ**.

- Järgige allalaadimise juhiseid ja paigaldage rakendus.

## Ühendamine Wi-Fi-ga

**Wi-Fi**-nupu kasutamine koos **LG ThinQ** rakendusega võimaldab seadmel ühenduda kodu Wi-Fi-võrguga. Icoon  ikoon näitab seadme võrguühenduse olekut. Icoon süttib, kui seade on Wi-Fi-võrguga ühendatud.


### Esmase seadme registreerimine

- Seadme registreerimiseks käivitage **LG ThinQ** rakendus ja järgige rakenduse juhiseid.

### Seadme uuesti registreerimine või teise kasutaja registreerimine

- Vajutage ja hoidke all nuppu **Wi-Fi** 3 sekundit, et seade ajutiselt välja lülitada. Seadme registreerimiseks käivitage **LG ThinQ** rakendus ja järgige rakenduse juhiseid.

## TÄHELEPANU

- Wi-Fi-funktsiooni tühistamiseks vajutage ja hoidke all nuppu **Wi-Fi** 3 sekundit. Icoon  lülitatakse välja.

## Teave avatud lähtekoodiga tarkvara märkuse kohta

Selles tootes olevate GPL, LGPL, MPL ja muude lähtekoodi avaldamise kohustusega vabataarkvaralitsentside alusel lähtekoodi saamiseks ning ligipääsuks kõigile viidatud litsentsitingimustele, autoriõiguste teadetele ja muudele asjakohastele dokumentidele külastage palun veebisaiti <http://opensource.lge.com>. LG Electronics pakub teile avatud lähtekoodi CD-plaadil hinnaga, mis katab selle levitamise seotud kulud, nagu andmekandja kulud, tarnimise ja käsitsemise kulud, ning mille saate tellida, saates e-kirja aadressile [opensource@lge.com](mailto:opensource@lge.com). See pakkumine kehtib kõigile, kellele see teave edastati, kolm aastat pärast selle toote viimast tarnimist.

## Märkused puhastamise kohta

- Kui hakkate seadme seest eemaldama riulit või sahtlit, võtke enne välja selles olevad toiduained, see hoiab ära vigastused ja seadme kahjustamise.
  - Vastasel juhul võib toidu raskus põhjustada vigastusi.
- Kui te puhastate välimisi ventilatsioonivahendeid tolmuimeja abil, peab seadme toitejuhe olema pistikupesast välja võetud, see hoiab ära staatilise elektri tekke, mis võib kahjustada seadme elektroonikat või anda elektrilöögi.
- Võtke riulid ja sahtlid välja, peske need veega puhtaks ja kuivatage hoolikalt enne seadmesse tagasi panemist.
- Pühkige uksetihendeid regulaarselt niiske pehme lapiga.
- Ukse tihendil olevad pritsmed ja plekid tuleks eemaldada, kuna need halvendavad korvi säilitustingimusi ja võivad isegi puruneda.
- Pärast puhastamist kontrollige, et toitejuhe ei oleks katki, soe või valesti ühendatud.
- Hoidke seadme välimised ventilatsioonivad puhtana.
  - Blokeeritud ventilatsioonivad võivad põhjustada tulekahju või seadme kahjustumist.
- Seadet seespoolt või väljaspoolt puhastades ärge pühkige seda tugeva harja, hambapasta või kergesti süttivate materjalidega. Ärge kasutage kergesti süttivaid aineid sisaldavat puhastusvahendit.
  - See võib põhjustada seadme värvi muutumist või kahjustusi.
  - Kergesti süttivad ained: alkohol (etanool, metnool, isopropüülalkohol jne.), lahusti, valgendi, benseen, süütevedelik, abrasiiv jne.
- Seadme sisemuse puhastamiseks kasutage puhast švammi või pehmet lappi ja toasoojas vees lahustatud neutraalset puhastusainet. Ärge kunagi kasutage abrasiivseid või tugevaid puhastusvahendeid. Kuivatage hoolikalt kuiva lapiga.
- Ärge kunagi peske riuleid ega sahtleid nõudepesumasinas.
  - Need osad võivad kuumuse tõttu deformeeruda.
- Puhastage toiduga kokku puutuda võivaid pindasid ja ligipääsetavaid äravoolusüsteeme korrapäraselt.
- Kui seadmel on LED-tuli, siis ära eemalda tule katet ega LED-tuld, et seda kas parandada või hooldada. Palun pöörduge LG Electronicsi teeninduskeskuse poole.

## Teie vana seadme hävitamine



- Läbitõmmatud ristiga prügikasti sümbol tähendab, et elektriliste ja elektrooniliste toodete (WEEE) jäätmeid tuleb olmeprügist eraldi hävitada.
- Vanad elektriseadmed võivad sisaldada ohtlikke koostisosi, seega aitab prügi nõuetekohane hävitamine vältida võimalikku negatiivset mõju loodusele ja inimeste tervisele. Teie kasutatud seade võib sisaldada taaskasutatavaid osi, millega saab parandada teisi seadmeid ning muid väärtuslikke materjale, mida saab taaskasutada, et säilitada piiratud ressursse.
- Saate viia oma seadme kas kauplusesse, kust see on ostetud või võtta ühendust kohaliku prügiveo ettevõttega, et saada lisainfot oma lähima WEEE jäätmete kogumiskoha kohta. Kõige ajakohasemat infot oma riigi kohta vaadake [www.lg.com/global/recycling](http://www.lg.com/global/recycling)

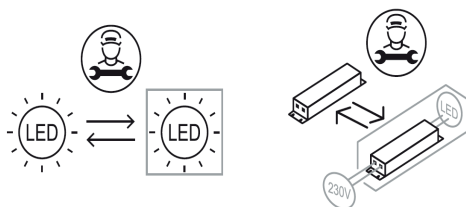
## Klienditeenindus

Võtke ühendust LG Electronicsi klienditeabekeskusega.

- Teabe leidmiseks LG volitatud teeninduskeskuste kohta külastage meie veebisaiti aadressil [www.lg.com](http://www.lg.com).
- Seadet tohib demonteerida, remontida või muuta ainult LG volitatud teeninduskeskuse kvalifitseeritud teeninduspersonal.
- Selle külmutusseadme minimaalne garantiaeg on 24 kuud.
- Varuosade ostmiseks võtke ühendust LG Electronicsi klienditeabekeskusega või külastage meie veebisaiti aadressil [www.lg.com](http://www.lg.com).
- Määruses EL 2019/2019 viidatud varuosad on saadaval 7 aasta jooksul (ainult uste tihendid on saadaval 10 aasta jooksul).

## TÄHELEPANU

- Lisateabe saamiseks seadme energiatõhususe kohta külastage <https://ec.europa.eu> ja teostage otsing mudelinime alusel (kehtib alates 1. märtsist 2021).
- Alates 1. märtsist 2021 kehtiv määrus EL 2019/2019 on seotud määruse EL 2019/2016 energiatõhususe klassidega.
- Skannige seadmega kaasas oleval energiamärgisel toodud QR-kood, mis annab veebilingi seadme töövõimega seotud teabele EL andmebaasis EPREL. Hoidke energiamärgis ja kõik teised seadmega tarnitud dokumendid järelevaatamiseks alles (kehtib alates 1. märtsist 2021).
- Mudeli nime leiate andmesildilt.
- See toode sisaldab valgusallikat energiatõhususe klassiga G.





KÄYTTÖOPAS

# JÄÄKAAPPI & PAKASTIN

**Lue tämä käyttöopas huolellisesti ennen laitteen käyttöä ja säilytä se käsillä tulevaa tarvetta varten.**

[www.lg.com](http://www.lg.com)

Katso lisätietoja käyttöoppaasta LG:n verkkosivulta.  
Copyright © 2019-2023 LG Electronics Inc. Kaikki oikeudet pidätetään

# SISÄLLYSLUETTELO

Tässä käyttöohjeessa saattaa olla kuvia tai sisältöä, joka ei koske juuri sinun malliasi. Valmistaja pidättää itsellään oikeuden tarvittaessa muokata käyttöopasta.

<b>TURVALLISUUSOHJEET</b> .....	<b>3</b>
Tärkeitä turvallisuustietoja .....	3
<b>ASENNUS</b> .....	<b>10</b>
Mitat ja vapaa tila .....	10
Ympäristön lämpötila .....	10
<b>KÄYTTÖ</b> .....	<b>11</b>
Huomautuksia käytöstä .....	11
Tuorelokero ( * ) .....	12
Tuorevihanneslaatikko ( * ) .....	12
Toimintopaneeli .....	14
<b>ÄLYTOIMINNOT</b> .....	<b>16</b>
LG ThinQ -sovellus .....	16
<b>HUOLTO</b> .....	<b>18</b>
Huomautuksia puhdistamisesta .....	18
Vanhan laitteesi hävittäminen .....	18
<b>VIANETSINTÄ</b> .....	<b>19</b>

## Additional Information Of The Manual

Tämä on lyhennetty versio Käyttäjän käsikirjasta.  
Saat lisätietoja vieraillemalla LG:n verkkosivustolla  
osoitteessa <http://www.lg.com>




## Vianetsintä



Seuraavat turvallisuusohjeet on tarkoitettu estämään tuotteen vaarallisen tai virheellisen käytön aiheuttamia odottamattomia vaaroja tai vaurioita.

Ohjeet on eroteltu vaarasanoilla ”VAROITUS” ja ”VARO”, kuten kuvattu alla.

 Tämä symboli ilmaisee asioita ja toimenpiteitä, jotka voivat aiheuttaa vaaroja. Lue tämän symbolin merkitys huolellisesti ja vältä vaarat noudattamalla ohjeita.

## VAROITUS

ilmaisee, että ohjeiden noudattamatta jättäminen voi aiheuttaa vakavan henkilövahingon tai kuoleman.

## VARO

ilmaisee, että ohjeiden noudattamatta jättäminen voi aiheuttaa lievän henkilövahingon tai laitteen vaurioitumisen.

### Tärkeitä turvallisuustietoja

## VAROITUS

Noudata räjähdysten, tulipalon, kuoleman, sähköiskun, loukkaantumisen tai palovammojen vaaran vähentämiseksi yleisiä varotoimia, mukaan lukien seuraavia:

### Lapsia kotitaloudessa

- Laitetta eivät saa käyttää henkilöt (mukaan lukien lapset), joiden fyysinen, aistinvarainen tai henkinen toimintakyky on rajoittunut tai joilla ei ole tarvittavaa kokemusta ja tietoa laitteen käytöstä, jollei heidän turvallisuudestaan vastuussa oleva henkilö valvo tai opasta heitä laitteen käytössä. Lapsia tulee valvoa, jotta he eivät pääse leikkimään laitteella.
- Jos laitteessa on lukko (vain joissakin malleissa), pidä avain lasten ulottumattomissa.

## **Eurooppalaisille käyttäjille:**

- Laitetta saavat käyttää vähintään 8-vuotiaat lapset ja henkilöt, joiden fyysinen, aistinvarainen tai henkinen toimintakyky on rajoittunut tai joilla ei ole tarvittavaa kokemusta ja tietoa laitteen käytöstä, jos heitä valvotaan tai opastetaan laitteen turvalliseen käyttöön, ja he ymmärtävät käyttöön liittyvät vaarat. Lapset eivät saa leikkiä laitteella. Lapset eivät saa tehdä puhdistus- tai kunnossapitotoimenpiteitä ilman valvontaa.
- 3–8-vuotiaat lapset saavat täyttää ja tyhjentää jäähdytyslaitteita.

## **Asentaminen**

- Laitteen siirtämiseen tarvitaan vähintään kaksi henkilöä, jotka pitävät turvallisesti kiinni laitteesta.
- Varmista, että pistorasia on asianmukaisesti maadoitettu ja että pistokkeen maadoitus on kunnossa. Lisätietoa maadoittamisesta saat LG Electronics -huollosta.
- Laite on varustettu virtajohtolla, jossa on laitteen maadoittava johdin ja maadoitettu pistoke. Pistoke täytyy liittää asianmukaiseen pistorasiaan, joka on kaikkien paikallisten määräysten ja säännösten mukaan oikein asennettu ja maadoitettu.
- Jos virtajohto tai virtapistoke on vaurioitunut tai pistorasia on löysällä, älä kytke virtajohtoa. Ota yhteyttä LG Electronics -huoltoon.
- Älä liitä laitetta monipistorasiaan, jossa ei ole virtajohtoa (asennettuna).
- Älä muuta virtajohtoa tai käytä jatkojohtoa.
- Laite pitää liittää erilliseen virtajohtoon, jossa on oma sulake.
- Älä käytä (siirrettävää) monipistorasiaa, jota ei ole asianmukaisesti maadoitettu. Jos käytät asianmukaisesti maadoitettua (siirrettävää) monipistorasiaa, valitse monipistorasia, jonka virtakapasiteetti vastaa vähintään laitteen nimellistehoa, ja varaa monipistorasia pelkästään laitteelle.
- Asenna laite paikkaan, josta sen voi helposti irrottaa pistorasiasta tarvittaessa.
- Varo liittämästä virtapistoketta niin, että johto on ylöspäin tai asettamasta laitetta nojaamaan pistokkeeseen.
- Asenna laite tasaiselle ja kovalle alustalle.
- Älä asenna laitetta kosteaan tai pölyiseen paikkaan. Älä asenna tai säilytä laitetta ulkona tai missään sellaisessa paikassa, jossa se on alttiina säälle, suoralle auringonvalolle, sateelle, tuulelle tai pakkasasteille.



- Älä sijoita laitetta suoraan auringonvaloon tai altista sitä muiden laitteiden kuten liesien tai lämmittimien aiheuttamalle lämmölle.
- Älä avaa laitteen takaseinää asennuksen aikana.
- Varo pudottamasta ovea asentamisen tai irrottamisen aikana.
- Varo taittamasta, repimästä tai muuten rikkomasta kaapelia laitteen oven asentamisen tai irrottamisen aikana.
- Älä kytke adaptereita tai muita lisälaitteita laitteen pistokkeeseen.

## Käyttö

- Älä käytä laitetta mihinkään muuhun kuin elintarvikkeiden säilytykseen kotitalouskäytössä (ei esim. lääkkeiden tai tutkimusmateriaalien säilytykseen tai kuljetukseen).
- Irrota virtapistoke pistorasiasta salamoinnin tai kovan ukonilman aikana tai mikäli laitetta ei käytetä pitkiin aikoihin.
- Älä koske virtapistokkeeseen tai säätimiin märin käsin.
- Älä taivuta virtajohtoa tarpeettomasti tai aseta raskaita esineitä sen päälle.
- Jos sähköosiin pääsee vettä, irrota pistoke pistorasiasta ja ota yhteys LG Electronics -huoltoon.
- Älä työnnä käsiäsi tai metallisia esineitä viileän ilman poistoaukkoon, kanteen tai laitteen takana olevaan lämpöä vapauttavaan ritilään.
- Älä käytä liiallista voimaa tai iskuja laitteen takakannen avaamiseen.
- Älä laita laitteeseen eläimiä, kuten lemmikkieläimiä.
- Ole varovainen laitteen oven avaamisessa tai sulkemisessa, jos lapsia on lähellä. Ovi saattaa ponnahtaa lasta vasten ja aiheuttaa henkilövahingon. Älä anna kenenkään roikkua ovissa, sillä se saattaa kaataa laitteen ja aiheuttaa vakavia vammoja.
- Vältä vaara lasten jäämisestä loukkuun laitteen sisälle. Laitteen sisälle loukkuun jäänyt lapsi saattaa tukehtua.
- Älä aseta laitteen päälle raskaita tai helposti särkyviä tavaroita, nesteitä, räjähdysherkkiä aineita, herkästi syttyviä aineita (kuten kynttilöitä, lamppeja jne.) tai lämmityslaitteita (kuten liesiä, lämmittimiä jne.).
- Jos kaasua pääsee vuotamaan (isobutaania, propaania, maakaasua jne.), älä koske laitteeseen tai virtapistokkeeseen, tuuleta tila välittömästi. Tämä laite käyttää jäähdytyskaasua (isobutaani, R600a). Vaikka laitteessa onkin vain pieni määrä

kaasua, se on silti syttyvää kaasua. Kaasuvuodon aiheuttamat kipinät laitteen kuljetuksen, asennuksen tai käytön aikana saattavat aiheuttaa tulipalon, räjähdyksen tai henkilövahingon.

- Älä käytä tai säilytä laitteen lähellä syttyviä tai palavia aineita (eetteri, bentseeni, alkoholi, kemikaalit, nestekaasu, syttyvä suihke, hyönteismyrkky, ilmanraikastin, kosmetiikka jne.).
- Jos laitteesta kuuluu epänormaaleja ääniä, siitä tulee hajua tai savua, irrota virtapistoke välittömästi pistorasiasta ja ota yhteyttä LG Electronics -huoltoon.
- Täytä juomavettä vain jääpalakoneen tai vesiannostelijan vesisäiliöön.
- Älä vahingoita jäähdytysputkistoa.
- Älä laita mitään muuta sähkölaitetta (kuten lämmitintä tai matkapuhelinta) laitteen sisälle käytön aikana.

### **Kunnossapito**

- Irrota virtajohto pistorasiasta ennen laitteen puhdistusta tai mahdollisen sisävalon vaihtamista.
- Kiinnitä virtapistoke pistorasiaan, kun olet huolellisesti poistanut kaiken kosteuden ja pölyn.
- Verkkojohtoa ei saa irrottaa pistorasiasta kaapelista vetämällä. Tartu aina pistotulppaan napakasti ja vedä se irti pistorasiasta.
- Älä ruiskuta vettä tai herkästi syttyviä aineita (hammastahnaa, alkoholia, tinneriä, bentseeniä, herkästi syttyviä nesteitä, hankausaineita jne.) laitteen sisä- tai ulkopinnoille puhdistusta varten.
- Älä käytä laitteen puhdistukseen karkeapintaisia tai metallimateriaalista valmistettuja harjoja, liinoja tai sieniä.
- Vain LG Electronic -huoltoliikkeen valtuuttama korjaaja saa purkaa, korjata tai muuttaa laitetta. Jos laite pitää siirtää ja asentaa uuteen paikkaan, ota yhteys LG Electronics -huoltoon.
- Älä käytä hiustenkuivaajaa laitteen sisäosien kuivaamiseen tai aseta kynttilää laitteen sisälle poistamaan hajuja.
- Älä käytä mekaanisia laitteita tai muita keinoja sulatuksen nopeuttamiseen.

## **Hävittäminen**

- Kun laitetta poistetaan käytöstä, irroita ovitiiviste, mutta jätä hyllyt ja korit paikoilleen. Pidä lapset poissa laitteen luota.
- Hävitä pakkausmateriaali (kuten muovipussit ja vaahtomuovi) pois lasten ulottuvilta. Pakkausmateriaalit saattavat aiheuttaa tukehtumisen.

## **Tekninen turvallisuus**

- Pidä laitteen kotelossa tai sisällä olevassa rakenteessa olevat ilmanvaihtoaukot esteettöminä.
- Älä käytä sähkölaitteita jääkaapin sisällä.
- Laitteessa käytetty kylmäaine ja eristeen paisutuskaasu edellyttävät hävityksessä erityistoimia. Ota yhteys huoltoedustajaan tai vastaavaan henkilöön ennen niiden hävittämistä.
- Putkista vuotava kylmäaine voi syttyä tuleen tai aiheuttaa räjähdyksen.
- Jokaisen laitteen kylmäaineen määrä ilmoitetaan tyyppikilvessä laitteen sisällä.
- Älä koskaan käynnistä laitetta, jossa on merkkejä viasta. Jos on epäilyksiä, ota yhteys jälleenmyyjään.
- Laitte on tarkoitettu vain kotitalouskäyttöön ja sitä vastaavaan käyttöön. Sitä ei ole suunniteltu kaupalliseen tai catering-käyttöön eikä mihinkään liikkuvaan laitteeseen kuten veneeseen tai matkailuvaunuun.
- Älä säilytä räjähtäviä aineita, kuten syttyvää ponneainetta sisältäviä aerosolipakkauksia tässä laitteessa.
- Tätä kylmäsäilytyslaitetta ei ole tarkoitettu käytettäväksi sisäänrakennettuna laitteena.

## Syttyivistä materiaaleista aiheutuva tulipalovaara



Tämä symboli varoittaa syttyivistä materiaaleista, jotka voivat syttyä palamaan ja aiheuttaa tulipalon, jos varovaisuutta ei noudateta.

- Tämä laite sisältää jäähdytysaineena pienen määrän isobutaania (R600a), mutta se on myös syttyvää. Laitetta kuljettaessa ja asennettaessa tulee huolehtia siitä, ettei mikään kylmäaineen kiertopiirin osa vaurioidu.
- Mikäli vuotoa havaitaan, on vältettävä avotulta tai mahdollisia syttymislähteitä sekä tuuletettava useiden minuuttien ajan huonetta, jossa laite on. Tulenaran kaasuilmaseoksen muodostumisen estämiseksi kylmäaineen kiertopiirin vuodon mahdollisesti sattua, laitteen sijaintihuoneen koon pitäisi vastata käytetyn kylmäaineen määrää. Huoneessa tulee olla 1 m<sup>2</sup> jokaista laitteen sisällä olevaa 8 grammaa R600a-kylmäainetta kohti.
- Laitetta sijoittaessasi varmista, ettei virtajohto takerru kiinni mihinkään eikä vaurioidu.
- Älä sijoita useita kannettavia pistorasioita tai kannettavia virtalähteitä laitteen taakse.

## VARO

Lievien henkilövahinkojen, toimintahäiriöiden ja tuote- tai omaisuusvahinkojen vaaran vähentämiseksi tulee noudattaa yleisiä varotoimia, mukaan lukien seuraavia:

### Asentaminen

- Älä kallista, vedä tai työnnä laitetta, kun kuljetat sitä.
- Varmista ettei ruuminosa, kuten käsi tai jalka, jää jumiin laitetta siirrettäessä.

### Käyttö

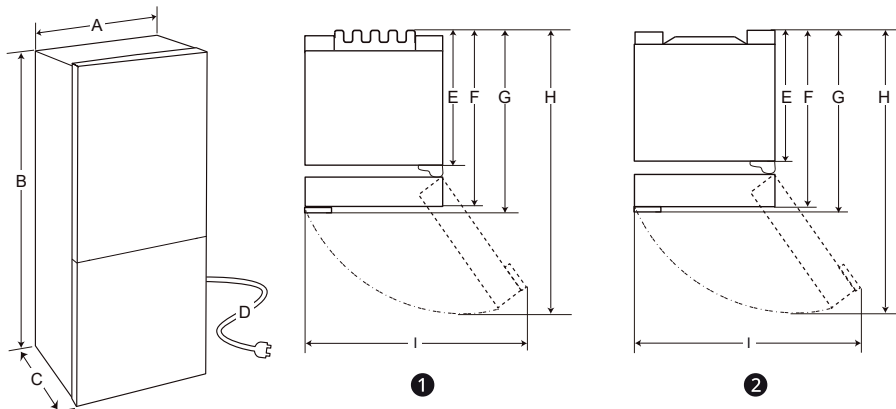
- Älä koske pakastettuun ruokaan tai pakastimen metalliosiin kostein tai märin käsin. Tämä saattaa aiheuttaa paleltuman.
- Älä aseta lasisia astioita, pulloja tai tölkkejä (varsinkaan hiilihappopitoisia juomia sisältäviä) pakastinlokeroon, hyllyille tai jäälokeroon, joiden lämpötila on alle jäätymispisteen.
- Laitteen oven etupuolen tai hyllyjen karkaistu lasi voi vahingoittua iskusta. Jos se on rikki, älä koske siihen käsin.
- Älä roiku laitteen ovissa, sisätilassa tai hyllyissä tai kiipeä niiden päälle.
- Älä säilytä liian painavia tuotteita kuten runsasta määrää vesipulloja ovihyllyissä.
- Estä lemmikeitä pureskelemasta virtajohtoa tai vesiletkeä.
- Älä avaa tai sulje laitteen ovea liiallisella voimalla.
- Jos laitteen oven sarana on vaurioitunut tai toimii huonosti, lopeta sen käyttö ja ota yhteyttä LG Electronicsin huoltoliikkeeseen.
- Älä puhdistasi lasihyllyjä tai kansia lämpimällä vedellä niiden ollessa kylmiä.
- Älä koskaan syö pakastettuja ruokia heti, kun olet ottanut ne pois pakastimesta.
- Älä jätä kättä tai jalkaa jumiin laitteen luukkua avattaessa tai suljettaessa.

### Kunnossapito

- Älä aseta hyllyjä ylösalaisin, sillä ne voivat pudota.
- Ota yhteyttä LG Electronics -huoltoon, jos laitteen sisälle kerääntyy huurretta.

## Mitat ja vapaa tila

Liian pieni etäisyys viereisiin esineisiin saattaa heikentää jäähdyttämistä ja kasvattaa virrankulutusta. Jätä yli 50 mm:n etäisyys jokaiseen viereiseen seinään asentaessasi laitetta.



	1		2	
	Koko [mm]			
	Taskukahva	Vedin	Taskukahva	Vedin
A	595	595	595	595
B	1 860 / 2 030	1 860 / 2 030	1 860 / 2 030	1 860 / 2 030
C	682	718	675	712
D	2 100	2 100	2 100	2 100
E	616	616	610	610
F	682	682	675	675
G	-	718	-	712
H	1 230	1 237	1 225	1 232
I	995	995	995	995

### HUOMAUTUS

- Yllä olevan taulukon mittaukset ovat likimääräisiä.

## Ympäristön lämpötila

- Laitte on suunniteltu toimimaan rajoitetuissa ympäristön lämpötilarajoissa ilmastoalueesta riippuen. Älä käytä laitetta rajat ylittävissä lämpötilassa.
- Sisäiset lämpötilat voivat vaihdella riippuen laitteen sijainnista, ympäristön lämpötilasta, oven avaamiskertojen tiheydestä ja niin edelleen.
- Ilmastoluokan näet luokitustarrasta.

Ilmastoluokka	Ympäristön lämpötilan rajat °C
SN (Vileä Lämpötila)	+10 - +32
N (Normaali)	+16 - +32
ST (Subtrooppinen)	+16 - +38
T (Trooppinen)	+16 - +43 / +10 - +43*

\*Australia, Intia, Kenia

### HUOMAUTUS

Luokkien SN–T laitteet on tarkoitettu käytettäväksi 10–43 °C:n ympäristön lämpötilassa.

## Huomautuksia käytöstä

- Muista, että huurretta saattaa syntyä jos ovea ei suljeta kunnolla, jos kosteutta on paljon erityisesti kesällä tai jos pakastimen ovea availaan usein.
- Varmista, ettei hyllylle ja ovihyllylle asetettava tuote estä ovea menemästä kokonaan kiinni.
- Jos ovi on pitkään auki, se voi nostaa laitteen lokeroiden lämpötilaa merkittävästi.
- Jos jäähdytyslaitte jätetään tyhjäksi pitkäksi ajaksi, kytke se pois päältä, sulata, puhdista ja kuivaa se ja jätä ovi auki, jotta laitteeseen ei muodostu hometta.

## Vinkit energian säästämiseksi

- Varmista, että varastoitaville ruuille on riittävästi tilaa. Näin kylmä ilma pääsee kiertämään tasaisesti, mikä säästää sähköä.
- Pakasta vain jäähdytettyjä tuotteita huurtumisen estämiseksi.
- Kun säilytät elintarvikkeita pakastimessa, aseta pakastimen lämpötila alhaisemmaksi kuin tuotteisiin merkitty lämpötila.
- Älä aseta ruokaa jääkaapin lämpötila-anturin lähelle. Pidä vähintään 3 cm:n etäisyys antureihin.
- Huomaa, että lämpötilan nousu sulatuksen jälkeen tapahtuu laitteen teknisissä tiedoissa mainituissa rajoissa. Jos haluat minimoida lämpötilan nousun vaikutuksen elintarvikkeisiin, pakkaa ne kannellisiin astioihin tai kääri ne useaan kerrokseen.
- Laitteen automaattinen sulatustoiminto varmistaa, että osastot pysyvät jäättöminä tavallisissa käyttöolosuhteissa.
- Jotta energiankulutus olisi mahdollisimman tehokasta, varmista, että sisäosat (esim. oviokerot, laatikot ja hyllyt) ovat alkuperäisillä paikoillaan.
- Älä säädä laitteen lämpötilaa tarpeettoman alhaiseksi.

## Elintarvikkeiden tehokas säilytys

- Käytä pakasteiden tai jääkaapissa olevien ruokien säilytykseen kannellisia astioita.
- Tarkista viimeinen käyttöpäivä ja etiketti (säilytysohjeet) ennen kuin laitat ruoan laitteeseen.
- Älä säilytä pitkään (yli 4 viikkoa) ruokia, jotka pilaantuvat helposti matalassa lämpötilassa.
- Aseta jäähdytetty tai pakastettu ruoka jääkaappiin tai pakastimeen heti ostamisen jälkeen.
- Säilytä raakaa lihaa ja kalaa asianmukaisissa astioissa jääkaapissa, jotta ne eivät ole

kosketuksissa tai valuta nesteitä muiden ruokien päälle.

- Älä pakasta uudelleen täysin sulanutta ruokaa ilman kypsennystä. Sulaneen ruuan pakastaminen uudelleen heikentää makua ja ravintosisältöä.
- Älä kääri vihanneksia sanomalehtipaperin sisään. Painomuste saattaa imeytyä elintarvikkeisiin ja pilata ruoan.
- Älä täytä laitetta liian täyteen. Kylmä ilma ei pääse kiertämään kunnolla, jos laite on liian täynnä.
- Jos lämpötila on liian alhainen, ruoka voi jäätyä. Älä aseta lämpötilaa alle vaaditun lämpötilan, jotta ruoka säilyy asianmukaisesti.
- Jos haluat lisää tilaa, voit poistaa pullotelineen, munatelineen, jääpala-astian ja tuorelokeron.
- Ruoka voi jäätyä tai pilaantua, jos sitä säilytetään väärässä lämpötilassa. Aseta jääkaapin lämpötila säilytettävälle ruoalle sopivaksi.

## Maksimi pakastusteho

- Pikapakastustoiminto asettaa pakastimen maksimipakastustehoonsa. Tämä kestää tavallisesti enintään 24 tuntia ja sammuu automaattisesti.
- Jos pakastimen maksimipakastusteho halutaan käyttää, pikapakastustoiminto tulee kytkeä päälle seitsemän tunnin ajaksi ennen kuin tuoreita elintarvikkeita laitetaan pakastimeen.

## Suurten ruokamäärien pakastaminen

- Paras ilmankierto saadaan, kun kaikki laatikot ovat paikoillaan.
- Jos pakastimessa aiotaan säilyttää suurta määrää ruokaa, kaikki pakastinlokerot tulee ottaa pois. Ruoka asetetaan suoraan pakastimen hyllylle (tai hyllyille).

## HUOMAUTUS

- Kun poistat lokeroita, ota ensin elintarvikkeet pois niistä ja vedä vasta sitten lokerot varovasti ulos. Muutoin seurauksena voi olla loukkaantuminen tai lokeroiden vaurioituminen.
- Laatikot voivat olla erimuotoisia, aseta ne oikeille paikoille.

## Lämpötilan asetus

Tällä asetetaan jääkaapin tai pakastimen lämpötila.

- Paina **Fridge**-painiketta tai **Freezer**-painiketta lämpötilan säätämiseksi.
- Lämpötilaa voi säätää.
  - Jääkaappi: 1–7 °C
  - Pakastin: -15 °C - -23 °C
- Oletuslämpötilaksi on asetettu
  - Jääkaappi: 3 °C
  - Pakastin: -18 °C

Todelliset sisälämpötilat vaihtelevat riippuen ruokien tilasta. Näytön lämpötila on tavoitelämpötila, ei todellinen lämpötila laitteen sisällä.

## HUOMAUTUS

- Oletuslämpötila voi vaihdella laitteesta riippuen.
- Ruuan optimaalista säilytystä varten lämpötilan nosto tai lasku 1 °C:llä tai yhdellä tasolla oletuslämpötilasta on suositeltavaa jokaiselle osastolle.
- Odota 2 tai 3 tuntia laitteen pistorasiaan liittämistä ennen ruoan säilyttämistä laitteessa.
- Jään valmistaminen normaalissa ympäristön lämpötilassa edellyttää pakastimen asettamista vähintään -18°C.

## Korkean lämpötilan hälytys

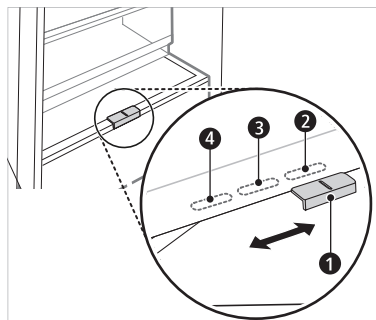
Kun pakastimen lämpötila nousee liian korkeaksi sähkökatkon takia, pakastimen lämpötilan merkkivalo vilkkuu ja kuuluu hälytysääni.

- Nämä loppuvat painamalla **Freezer**-painiketta.
- Jos lämpötila on riittävän kylmä, vilkkuminen ja hälytysääni loppuvat automaattisesti.
- Tämä toiminto toimii:
  - Kun jääkaappi on päällä.
  - Kun pakastinosasto lämpenee liikaa.
  - Kun tapahtuu sähkökatko, joka kestää pitkäksi aikaa tai liian usein pitkään.
  - Kun suuri määrä lämmintä ruokaa asetetaan pakastinosastoon.
  - Kun pakastimen ovi jätetään auki liian

## Tuorelokero ( \* )

Tuorelokero on kylmälokero, ja sen lämpötilaa voidaan säätää liukuvivulla, joka sijaitsee lokeron etuosassa ❶, kumpaan tahansa suuntaan.

Vihannesten säilyttäminen lokerossa liha- tai kala-toiminnon ollessa valittuna voi aiheuttaa paleltumia.



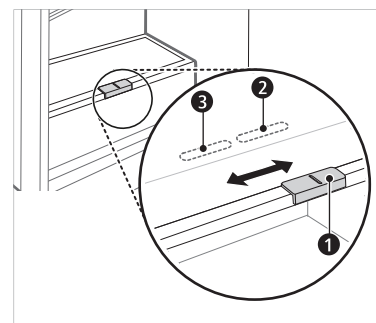
- ❷ vihannesten säilyttämiseen. (Suositus)
- ❸ kalan säilyttämiseen.
- ❹ lihan säilyttämiseen.

## HUOMAUTUS

- ( \* ) : Toiminto vaihtelee ostetun mallin mukaan.

## Tuorevihanneslaatikko ( \* )

Vihanneslokeron kosteutta voidaan säätää kääntämällä nuppia ❶.



- ❷ vihannesten säilyttämiseen. (Suositus)
- ❸ hedelmien säilyttämiseen.

## HUOMAUTUS

- ( \* ) : Toiminto vaihtelee ostetun mallin mukaan.



## Ruoansäilytysosastot

### Elintarvikkeiden säilyttäminen jääkaappiosastossa

- **Jääkaapin hylly**
  - Jäähdytettyjen ruokien ja muiden tuotteiden säilyttämiseen.
  - Hyllyn korkeutta voi säätää laittamalla hylly eri korkeuden syvennykseen.
  - Säilytä nestepitoisemmat ruoat hyllyn etuosassa.
  - Todellinen hyllyjen määrä vaihtelee mallikohtaisesti.
- **Pulloteline (\*)**
  - Korkeiden juomapullojen ja -astioiden säilyttämiseen.
- **Taitettava hylly (\*)**
  - Jäähdytettyjen ruokien ja korkeiden tuotteiden säilyttämiseen.
- **Tuorevihanneslaatikko (\*)**
  - Hedelmien ja vihannesten säilyttämiseen, jotta ne pysyvät tuoreena säätämällä kosteutta.
  - Laitteen ulkonäkö tai osat voivat vaihdella mallikohtaisesti.
- **Tuorelokero (\*)**
  - Tämä on kylmälokero, jossa säilytetään lihaa, kalaa ja kasviksia. Voit edistää tuoreena pysymistä säätämällä kosteussäädintä jääkaappiosaston takaosassa.
  - Saat lisätilaa käyttämällä kylmälokeroa ilman kylmälokero laatikkoa.
- **Siirrettävä munateline**
  - Munien säilytykseen.
  - Voit siirtää sitä ja käyttää sitä haluamassasi paikassa. Älä kuitenkaan käytä sitä jääpala-astiana tai aseta sitä jääkaapin yläpuolella olevalle hyllylle tai vihanneslokeroon.

- **Jääkaapin ovihylly**

- Tässä säilytetään pieniä pakkauksia jäähdytettyjä ruokia, juomia ja kastikkeita.

- **Veden annostelusäiliö (\*)**

- Täällä säilytetään annostelijan tai automaattisen jääpalakoneen vesi. Se tulee täyttää manuaalisesti. (vain mallit, joita ei ole liitetty vesijärjestelmään)

### Elintarvikkeiden säilyttäminen pakastinosastossa

- **Jääpala-astia**

- Täällä valmistetaan ja säilytetään jäätä.
- Saat lisätilaa poistamalla jääpala-astian tai jääpalaämpärin.

- **Pakastimen laatikosto**

- Pitkäaikaiseen pakasteiden säilyttämiseen.
- Jäädystä elintarvikkeita nopeasti säilyttämällä niitä ylälokero vasemmalla puolella. Elintarvikkeet jäätyvät nopeimmin tässä lokerossa.

### HUOMAUTUS

- (\*) : Toiminto vaihtelee ostetun mallin mukaan.
- Katso lisätietoja muiden lokeroiden käyttämisestä ja lataa käyttöoppaita osoitteesta lg.com.

# Toimintopaneeli

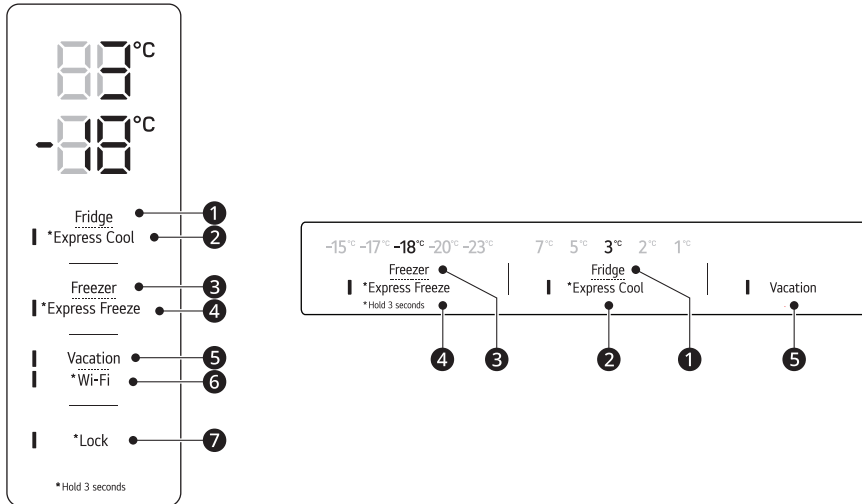
Todellinen toimintopaneeli voi poiketa esitetystä mallikohtaisesti.

## Toimintopaneeli ja toiminnot

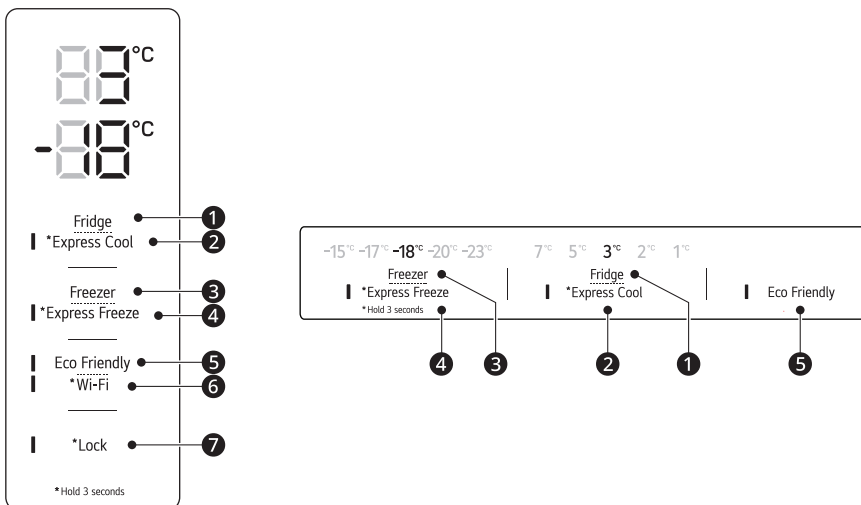
\*1 Tämä ominaisuus on saatavilla vain joissakin malleissa.

Toimintopaneeli on joko pakastimen ovessa tai pakastimen sisällä mallista riippuen.

### Tyyppi A



### Tyyppi B



**1 Fridge**

Paina tätä painiketta toistuvasti valitaksesi haluamasi lämpötilan välillä 1 ja 7 °C.

- Jääkaapin oletuslämpötila on 3 °C.

**2 Express Cool**

Tämä toiminto voi nopeasti jäähdyttää suuren määrän ruokia, kuten kasviksia, hedelmiä ja niin edelleen.

- Toiminto vuoroin aktivoituu ja kytkeytyy pois päältä aina, kun painat painiketta 3 sekuntia.

**3 Freezer**

Paina tätä painiketta toistuvasti valitaksesi haluamasi lämpötilan välillä -15 ja -23 °C.

- Pakastimen oletuslämpötila on -18 °C.

**4 Express Freeze**

Tällä toiminnolla voit pakastaa nopeasti isoja määriä jäätä tai elintarvikkeita.

- Painiketta **Express Freeze** painamalla voit ottaa toiminnon käyttöön 24 tunniksi. Toiminto poistuu käytöstä automaattisesti 24 tunnin kuluttua.
- Toiminto vuoroin aktivoituu ja kytkeytyy pois päältä aina, kun painat painiketta 3 sekuntia.
- Kun tämä tila on päällä, se saattaa tuottaa meteliä, ja virrankulutus saattaa lisääntyä.

**5 Vacation**

Tämä toiminto on hyödyllinen, kun olet lomalla. Kun tämä tila on päällä, jääkaapin lämpötila on 7 °C ja pakastimen lämpötila -15 °C. Kun tämä tila on pois päältä, jääkaapin ja pakastimen lämpötilat palaavat aikaisempiin lämpötila-asetuksiinsa.

- Toiminto aktivoituu ja kytkeytyy pois päältä aina, kun painat painiketta.
- Kun tämä tila on päällä, muut painikkeet, paitsi painikkeet **Lock** ja **Wi-Fi**, eivät toimi.
- **Eco Friendly** on nimetty uudelleen: **Vacation**.

**VARO**

- Kun tämä toiminto on päällä, ole varovainen sellaisten elintarvikkeiden säilyttämisessä, jotka vaativat oletuslämpötilaa alhaisemman lämpötilan.
- Kun palaat kotiin, muista poistaa tämä toiminto käytöstä ja avaa painikkeiden lukitus, jotta jääkaappi palaa sen aiempiin lämpötila-asetuksiin.

**6 Wi-Fi\*1**

Tällä painikkeella laitteen voi yhdistää kodin Wi-Fi-verkkoon. Katso kohdasta **SMART FUNCTIONS** tiedot **LG ThinQ** -sovelluksen asennuksesta ja käyttöönotosta.

**7 Lock\*1**

Tällä lukitaan toimintopaneelin painikkeet.

- Jos haluat lukita toimintopaneelin painikkeet, paina painiketta **Lock** 3 sekuntia, kunnes toiminto aktivoituu.
- Ota toiminto pois käytöstä painamalla painiketta **Lock** 3 sekuntia, kunnes toiminto deaktivoituu.

**HUOMAUTUS**

- Ruoan optimaalista säilytystä varten lämpötilan nosto tai lasku 1 °C:llä tai yhdellä tasolla oletuslämpötilasta on suositeltavaa jokaiselle osastolle.
- Näytetty lämpötila on tavoitelämpötila, ei laitteen todellinen lämpötila.
- Laitteen todellinen lämpötila riippuu seuraavista tekijöistä: huoneenlämpötila, ruoan määrä, kuinka usein ovi avataan ja missä laite on. Ota nämä tekijät huomioon lämpötilaa asettaessasi.
- Toimintopaneeli sammuu automaattisesti energiansäästöä varten.
- Jos toimintopaneelia kosketaan puhdistamisen aikana, kosketetun painikkeen toiminto saattaa käynnistyä.

## LG ThinQ -sovellus

Tämä ominaisuus on käytettävissä vain malleissa, joissa on Wi-Fi-yhteys.

LG ThinQ -sovelluksella pystyt käyttämään laitetta älypuhelimella.

## LG ThinQ -sovelluksen ominaisuudet

Kommunikoi laitteen kanssa älypuhelimella käteviä älykkäitä ominaisuuksia käyttäen.

### Smart Diagnosis

- Jos laitteen käytössä ilmenee ongelma, tämä Smart Diagnosis -ominaisuus auttaa sinua sen määrittämisessä.

### Asetukset

- Voit määrittää eri valintoja laitteesta ja sovelluksesta.

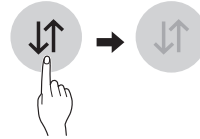
### HUOMAUTUS

- Jos vaihdat langatonta reititintäsi, Internet-palveluntarjoajaasi tai salasanaasi, poista rekisteröity laite LG ThinQ -sovelluksesta ja rekisteröi se uudelleen.
- Sovellusta voidaan muuttaa laitteen parantamiseksi ilman erillistä ilmoitusta käyttäjille.
- Toiminnot voivat vaihdella riippuen mallista.

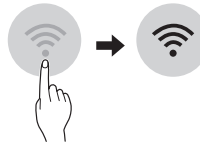
## Ennen LG ThinQ -sovelluksen käyttöä

- 1 Tarkista laitteen ja langattoman reitittimen (Wi-Fi-verkko) etäisyys.
  - Jos laitteen ja langattoman reitittimen välinen etäisyys on liian suuri, signaalin voimakkuus heikkenee. Rekisteröinti saattaa kestää pitkään tai asennus voi epäonnistua.

- 2 Kytke älypuhelimesi **Mobiilidata** tai **Matkapuhelindata** pois päältä.



- 3 Yhdistä älypuhelimesi langattomaan reitittimeen.



## HUOMAUTUS

- Tarkasta Wi-Fi-yhteyden vahvistamiseksi, että Wi-Fi-kuvake palaa ohjauspaneelissa.
- Laite tukee vain 2,4 GHz Wi-Fi-verkkoa. Tarkastaaksesi verkkosi taajuuden ole yhteydessä internet-palveluntarjoajaasi tai katso langattoman reitittimesi käyttöopasta.
- LG ThinQ ei vastaa verkkoyhteyden ongelmista tai verkkoyhteyden aiheuttamista vioista, toimintahäiriöistä tai virheistä.
- Jos laitteella on vaikeuksia Wi-Fi-verkkoon yhdistämisessä, se saattaa olla liian kaukana reitittimestä. Osta Wi-Fi-toistin (alueen laajennin) parantamaan Wi-Fi-signaalin voimakkuutta.
- Wi-Fi-yhteyttä ei voida muodostaa tai se saattaa katketa kotiverkkoympäristöstä johtuen
- Verkkoyhteys ei välttämättä toimi kunnolla Internet-palveluntarjoajasta riippuen.
- Ympäröivä langaton ympäristö voi saada langattoman verkkopalvelun toimimaan hitaasti.
- Laitetta ei voida rekisteröidä langattoman signaalin lähetyksessä olevien ongelmien vuoksi. Irrota laite verkkovirrasta ja odota noin minuutti ennen uudelleen yrittämistä.
- Jos langattoman reitittimesi palomuri on käytössä, poista palomuri käytöstä tai lisää siihen poikkeus.
- Langattoman verkon nimen (SSID) tulee olla yhdistelmä kirjaimia ja numeroita. (Älä käytä erikoismerkkejä.)


- Älypuhelimien käyttöösi voi vaihdella riippuen mobiilikäyttöjärjestelmästä ja valmistajasta.
- Jos reitittimen turvallisuusprotokolla on **WEP**, verkon asetus ei välttämättä onnistu. Vaihda toiseen turvallisuusprotokollaan (**WPA2**:ta suositellaan) ja rekisteröi tuote uudestaan.

## LG ThinQ -sovelluksen asentaminen

Etsi **LG ThinQ** -sovellus älypuhelimien Google Play & Apple App -kaupasta.

- Noudata latausohjeita ja asenna sovellus.

## Wi-Fi-verkkoon yhdistäminen

**LG ThinQ** -sovellusta käytettäessä **Wi-Fi**-painike mahdollistaa laitteen yhdistämisen kodin Wi-Fi-verkkoon. -kuvake näyttää laitteen verkkoyhteyden tilan. Kuvake syttyy, kun laite on yhdistetty Wi-Fi-verkkoon.

### Laitteen ensirekisteröinti

- Käynnistä **LG ThinQ** -sovellus ja seuraa sen ohjeita rekisteröidäksesi laitteen.

### Laitteen uudelleenrekisteröinti tai toisen käyttäjän rekisteröiminen

- Paina ja pidä pohjassa **Wi-Fi**-painiketta 3 sekunnin ajan sulkeaksesi laitteen väliaikaisesti. Käynnistä **LG ThinQ** -sovellus ja seuraa sen ohjeita rekisteröidäksesi laitteen.

## HUOMAUTUS

- Laita Wi-Fi-toiminto pois päältä painamalla ja pitämällä pohjassa **Wi-Fi**-painiketta 3 sekuntia. -kuvake sammuu.

## Avoimen lähdekoodin ohjelmiston ilmoitustiedot

Voit hankkia lähdekoodin GPL-, LGPL-, MPL- ja muiden avoimien lähdekoodien käyttöoikeudet, joilla on velvollisuus luovuttaa tässä tuotteessa oleva lähdekoodi, ja pääsy kaikkiin viitattuihin käyttöoikeusehtoihin, tekijänoikeusilmoituksiin ja muihin asiaankuuluviin asiakirjoihin osoitteesta <https://opensource.lge.com>.

LG Electronics voi toimittaa lähdekoodin CD-levyllä. Tästä palvelusta veloitetaan toimituskustannukset (tietovälineen hinta sekä toimitus- ja käsittelykulut). Pyyntösi voi lähettää sähköpostitse osoitteeseen [opensource@lge.com](mailto:opensource@lge.com).

Tämä tarjous on voimassa kaikille, jotka saavat tämän tiedon kolme (3) vuotta siitä päivästä alkaen, kun olemme toimittaneet viimeisen kyseisen mallisen tuotteen.

## Huomautuksia puhdistamisesta

- Kun irrotat hyllyä tai laatikkoa laitteen sisältä, poista siltä kaikki tuotteet, jotta et loukkaa itseäsi tai riko laitetta.
  - Muussa tapauksessa voi seurauksena olla tavaroiden painon aiheuttama vamma.
- Jos puhdistat ilmanottoaukkoja imuroimalla, virtajohto pitää irrottaa pistorasiasta staattisen purkauksen välttämiseksi, sillä seurauksena voi olla sähköisku.
- Irrota hyllyt ja laatikot ja puhdista ne vedellä. Kuivaa ne riittävästi ennen kuin asetat ne takaisin paikoilleen.
- Pyyhi oven tiivisteet säännöllisesti kostealla, pehmeällä liinalla.
- Ovihyllyjen roiskeet ja tahrat on puhdistettava, sillä ne saattavat haitata säilyttämistä ja jopa rikkoa hyllyt.
- Varmista puhdistuksen jälkeen, ettei virtajohto ole vaurioitunut, eikä pistoke ole ylikuumentunut, ja pistoke on kunnolla työnnetty pistorasiaan.
- Pidä laitteen ulkopuolen ilmanvaihtoaukot puhtaina.
  - Tukossa olevat ilmanvaihtoaukot voivat aiheuttaa tulipalon tai laitteen vaurioitumisen.
- Kun puhdistat laitteen sisä- tai ulkopuolta, älä pyyhi sitä kovalla harjalla, hammastahnalla tai syttyvillä materiaaleilla. Älä käytä syttyviä aineita sisältäviä puhdistusaineita.
  - Tämä saattaa irrottaa laitteen väriä tai vahingoittaa sitä.
  - Syttyvät aineet: alkoholi (etanoli, metanoli, isopropyylialkoholi, isobutyylialkoholi jne.), ohennin, valkaisuaine, bentseeni, syttyvät tai hankaavat nesteet jne.
- Käytä laitteen ulkopintaan puhdasta sientä tai pehmeää liinaa sekä lämmintä vettä, jossa on mietoa puhdistusainetta. Älä käytä hankaavia tai voimakkaita puhdistusaineita. Kuivaa perusteellisesti pehmeällä liinalla.
- Älä pese hyllyjä tai säilytyslaatikoita astianpesukoneessa.
  - Osat saattavat vääntyä kuumuuden vaikutuksesta.
- Puhdista säännöllisesti pinnat, jotka saattavat olla kosketuksissa ruokiin, ja viemärit.
- Jos laite on varusteltu LED-lampulla, älä poista lampun suojusta tai LED-lamppua sen korjaamiseksi tai huoltamiseksi. Ota yhteyttä LG Electronicsin asiakaspalveluun.

## Vanhan laitteesi hävittäminen



- Tämä yllirastitettu jätteenmerkki ilmaisee, että sähkö- ja elektroniikkalaitteiden jätteet (WEEE) tulee pitää erillään kotitalousjätteestä ja viedä kunnalliseen kierrätyskeskukseen.
- Vanhat sähkötuotteet voivat pitää sisällään vaarallisia aineita, joten loppuun käytetyn laitteen oikea hävittäminen ehkäisee ympäristö- ja terveyshaittoja. Vanha laitteesi saattaa pitää sisällään uudelleen käytettäviä osia, joita voidaan käyttää korjaamaan muita tuotteita sekä arvokkaita materiaaleja, joita voidaan kierrättää rajoitettujen resurssien säästämiseksi.
- Voit viedä laitteesi joko liikkeeseen, josta hankit laitteen, tai ottaa yhteyttä paikallishallintosi ympäristötoimistoon koskien lähintä valtuutettua WEEE -keräyspistettä. Kaikkein viimeisimmät tiedot koskien maatasi, ks. osoitteessa [www.lg.com/global/recycling](http://www.lg.com/global/recycling)

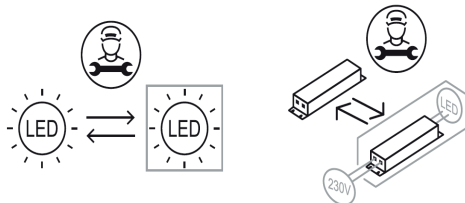
## Asiakaspalvelu ja huolto

Ota yhteyttä LG Electronics -huoltoon.

- Lisätietoa LG:n valtuuttamista huoltoliikkeistä löytyy osoitteesta [www.lg.com](http://www.lg.com).
- Vain pätevä, LG:n valtuuttaman huoltoliikkeen huoltohenkilöstö saa purkaa, korjata tai muuttaa laitetta.
- Tämän kylmälaitteen takuuaja on vähintään 24 kuukautta.
- Jos haluat ostaa varaosia, ota yhteyttä LG Electronicsin asiakasneuvontaan tai käy osoitteessa [www.lg.com](http://www.lg.com).
- Asetuksessa EU 2019/2019 mainitut varaosat ovat saatavilla vähintään 7 vuoden ajan (oven tiivisteet ovat saatavilla 10 vuotta).

## HUOMAUTUS

- Lisätietoa laitteen energiatehokkuudesta löytyy osoitteesta <https://ec.europa.eu>. Tee haku käyttäen mallin nimeä (voimassa 1. maaliskuuta 2021 alkaen).
- Asetus (EU) 2019/2019, joka on voimassa 1. maaliskuuta 2021 alkaen, liittyy asetuksen (EU) 2019/2016 energiatehokkuusluokkiin.
- Skannaa laitteen mukana toimitetusta energiamerkinnästä QR-koodi, joka sisältää verkkolinkin laitteen suorituskykyyn liittyviin tietoihin EU:n EPREL-tietokannassa. Säilytä energiamerkintä ja kaikki muut laitteet mukana toimitetut asiakirjat myöhempää käyttöä varten (voimassa 1. maaliskuuta 2021 alkaen).
- Mallin nimi lukee laitteen tyyppikilvessä.
- Tämä tuote sisältää energiatehokkuusluokan G valonlähteen.





MANUEL DU PROPRIÉTAIRE

# RÉFRIGÉRATEUR ET CONGÉLATEUR

**Lisez attentivement le manuel du propriétaire avant d'utiliser l'appareil et gardez-le à portée de main pour vous y référer à tout moment.**

[www.lg.com](http://www.lg.com)

Se référer au guide du propriétaire sur le site web de LG pour des informations plus détaillées.

Copyright © 2019-2023 LG Electronics Inc. Tous droits réservés



# TABLE DES MATIÈRES

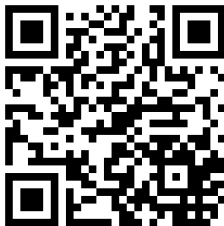
Ce manuel peut contenir des images ou un contenu différent du modèle que vous avez acheté.

Ce manuel est sujet à révision par le fabricant.

<b>CONSIGNES DE SÉCURITÉ .....</b>	<b>3</b>
Consignes importantes relatives à la sécurité .....	3
<b>INSTALLATION .....</b>	<b>10</b>
Dimensions et dégagements .....	10
Température ambiante.....	10
<b>UTILISATION .....</b>	<b>11</b>
Notes pour l'utilisation.....	11
Convertisseur de fraîcheur ( * ) .....	12
Bac à légumes frais ( * ) .....	13
Panneau de commande .....	15
<b>FONCTIONS SMART .....</b>	<b>17</b>
Application LG ThinQ.....	17
<b>MAINTENANCE .....</b>	<b>19</b>
Notes relatives au nettoyage .....	19
Recyclage de votre ancien appareil .....	19
<b>DÉPANNAGE .....</b>	<b>20</b>

## Informations Complémentaires

Ceci est une courte version du Manuel de l'utilisateur  
Pour plus d'informations, veuillez consulter le site web  
de LG sur <http://www.lg.com>



## Dépannage




## CONSIGNES DE SÉCURITÉ

FR

Les consignes de sécurité suivantes sont destinées à éviter les risques ou dommages imprévus issus d'une utilisation dangereuse ou incorrecte de l'appareil.

Les consignes sont séparées en 'AVERTISSEMENT' et 'ATTENTION' comme décrit ci-dessous.

 Ce symbole s'affiche pour indiquer des problèmes et des utilisations qui peuvent présenter des risques. Lire attentivement la partie qui comporte ce symbole et suivre les instructions afin d'éviter tout risque.

### AVERTISSEMENT

Cela indique que tout manquement à suivre les instructions peut entraîner des blessures graves ou la mort.

### ATTENTION

Cela indique que tout manquement à suivre les instructions peut entraîner des blessures légères ou endommager l'appareil.

## CONSIGNES IMPORTANTES RELATIVES A LA SECURITE

### AVERTISSEMENT

Pour réduire le risque d'explosion, d'incendie, de décès, de choc électrique, de blessure ou d'ébouillantage de personnes lors de l'utilisation de cet appareil, suivez les précautions de base, y compris les suivantes :

#### Enfants au sein du foyer

- Cet appareil n'est pas destiné à être utilisé par des personnes (y compris des enfants) ayant des capacités physiques, sensorielles ou mentales réduites, ou manquant d'expérience et de connaissances, à moins qu'elles ne soient supervisées ou aient reçu des instructions quant à l'utilisation de l'appareil par une personne responsable de leur sécurité. Les enfants doivent être surveillés pour s'assurer qu'ils ne jouent pas avec l'appareil.
- Si l'appareil est équipé d'une serrure (certains modèles seulement), gardez la clé hors de portée des enfants.

### **Pour une utilisation en Europe :**

- Cet appareil peut être utilisé par des enfants âgés de 8 ans et plus et par des personnes ayant des capacités physiques, sensorielles ou mentales réduites ou bien manquant d'expérience et de connaissances, s'ils sont surveillés ou ont reçu des instructions relatives à l'utilisation de l'appareil d'une manière sûre et s'ils comprennent les dangers impliqués. Les enfants ne doivent pas jouer avec l'appareil. Le nettoyage et la maintenance par l'utilisateur ne doivent pas être exécutés par des enfants sans surveillance.
- Les enfants âgés de 3 à 8 ans sont autorisés à charger et à décharger des appareils de réfrigération.

### **Installation**

- Cet appareil ne doit être transporté que par deux personnes ou plus tenant l'appareil en toute sécurité.
- S'assurer que la prise de courant soit correctement mise à la terre, et que la broche de terre du cordon d'alimentation ne soit pas endommagée ou retirée de la prise d'alimentation. Pour plus de détails sur la mise à la terre, renseignez-vous auprès d'un centre d'information client LG Electronics.
- Cet appareil est équipé d'un cordon d'alimentation doté d'un conducteur de terre et d'une fiche de terre. La fiche doit être branchée dans une prise appropriée, installée et mise à la terre conformément à tous les codes et règlements locaux.
- Si le câble d'alimentation est endommagé ou si les trous de la prise sont lâches, ne pas utiliser le cordon d'alimentation et contacter un centre de service agréé.
- Ne pas brancher l'appareil à un adaptateur multi-supports ne disposant pas d'un câble d'alimentation (monté). L'omission de se conformer à cette consigne pourrait entraîner un incendie.
- Ne pas modifier ou étendre le cordon d'alimentation.
- L'appareil doit être connecté à une ligne électrique dédiée qui est sur un fusible séparé.
- N'utilisez pas une multiprise qui n'est pas correctement mise à la terre (portable). Si vous utilisez une multiprise (mise à la terre) correctement mise à la terre, utilisez la multiprise avec la capacité actuelle du code d'alimentation ou supérieure et utilisez uniquement la multiprise pour l'appareil.
- Installer l'appareil dans un endroit où il est facile de débrancher le cordon d'alimentation de l'appareil.

- Veiller à ne pas faire pointer la fiche d'alimentation vers le haut ni à laisser l'appareil appuyer sur la fiche électrique.
- Installer l'appareil sur un sol ferme et de niveau.
- Ne pas installer l'appareil dans un endroit humide et poussiéreux. Ne pas installer ou ranger l'appareil dans une zone en plein air, ou toute autre zone soumise à des conditions telles que la lumière du soleil, le vent ou la pluie ou à des températures inférieures à zéro.
- Ne pas placer l'appareil en plein soleil ni l'exposer à la chaleur d'appareils de chauffage tels que poêles ou des radiateurs.
- Veiller à ne pas exposer l'arrière de l'appareil lors de l'installation.
- Attention à ne pas laisser tomber la porte de l'appareil lors du montage ou du démontage.
- Attention à ne pas pincer, écraser ou endommager le câble d'alimentation pendant le montage ou le démontage de la porte de l'appareil.
- Ne pas brancher un adaptateur ou d'autres accessoires à la prise d'alimentation.

### **Utilisation**

- Ne pas utiliser l'appareil à des fins (stockage de matériel médical ou expérimental ou expédition) autres qu'un usage domestique de stockage d'aliments.
- Débrancher la prise d'alimentation en cas d'orage violent ou d'éclairs, ou lorsque l'appareil n'est pas utilisé pendant une longue période.
- Ne pas toucher la fiche d'alimentation ou les commandes de l'appareil avec des mains mouillées.
- Ne pas plier excessivement le câble d'alimentation ou placer un objet lourd sur celui-ci.
- Si de l'eau pénètre dans les pièces électriques de l'appareil, débrancher la fiche d'alimentation et contacter un centre d'information client LG Electronics.
- Ne pas mettre les mains ou des objets métalliques dans la zone émettant l'air froid, le carter ou la grille de dégagement de la chaleur à l'arrière.
- Ne pas appliquer de force excessive ou frapper le carter arrière de l'appareil.

- Ne pas mettre d'animaux vivants dans l'appareil, comme des animaux domestiques.
- Attention aux enfants qui se trouvent à proximité lorsque vous ouvrez ou fermez la porte de l'appareil. La porte peut heurter l'enfant et causer des blessures. Ne pas laisser les personnes se balancer sur les portes, car cela peut provoquer la chute de l'appareil et causer des blessures graves.
- Éviter le danger d'enfants se trouvant piégés à l'intérieur de l'appareil. Un enfant coincé à l'intérieur de l'appareil peut souffrir de suffocation.
- Ne pas placer d'objets lourds ou fragiles, de récipients remplis de liquide, de combustibles, d'objets inflammables (comme des bougies, lampes, etc.), ou de dispositifs de chauffage (tels que des poêles, radiateurs, etc.) sur l'appareil.
- En cas de fuite de gaz (isobutane, propane, gaz naturel, etc.), ne touchez pas l'appareil ou la prise d'alimentation et ventilez la zone immédiatement. Cet appareil utilise un gaz réfrigérant (isobutane, R600a). Bien qu'il utilise une petite quantité de gaz, il s'agit toutefois de gaz combustible. Des fuites de gaz lors du transport, de l'installation ou de l'utilisation de l'appareil peuvent provoquer un incendie, une explosion ou des blessures en cas d'étincelles.
- Ne pas utiliser ou stocker de substances inflammables ou combustibles (éther, benzène, alcool, produits chimiques, GPL, pulvérisateur combustible, insecticide, désodorisant, cosmétique, etc.) à proximité de l'appareil.
- Débrancher immédiatement la fiche d'alimentation et contacter un centre d'information client LG Electronics si vous détectez tout bruit anormal, odeur ou fumée sortant de l'appareil.
- Remplir d'eau potable uniquement le réservoir d'eau de la machine à glaçons ou du distributeur.
- Ne pas endommager le circuit frigorifique.
- Ne pas placer un autre appareil électronique (tels qu'un chauffage et un téléphone mobile) à l'intérieur de l'appareil.

## **Maintenance**

- Débrancher le cordon d'alimentation avant de nettoyer l'appareil ou de remplacer la lampe à l'intérieur (le cas échéant).
- Brancher correctement le cordon d'alimentation dans la prise de courant après avoir enlevé complètement toute humidité et poussière.

- Ne jamais débrancher l'appareil en tirant sur le câble d'alimentation. Toujours saisir fermement la prise électrique et la tirer tout droit pour la sortir de la prise de courant.
- Ne pas pulvériser de l'eau ou de substances inflammables (dentifrice, alcool, diluant, liquide inflammable, abrasif, etc.) sur l'intérieur ou l'extérieur de l'appareil pour le nettoyer.
- Ne pas nettoyer l'appareil avec des brosses, chiffons ou éponges avec des surfaces rugueuses ou à base de matériau métallique.
- Le démontage, la réparation ou la modification de l'appareil ne doit être effectuée que par un personnel de service qualifié du centre de service LG Electronics. Si vous déplacez et installez l'appareil dans un endroit différent, veuillez contacter un centre d'information client LG Electronics.
- Ne pas utiliser de sèche-cheveux pour sécher l'intérieur de l'appareil ni placer de bougie à l'intérieur pour éliminer les odeurs.
- Ne pas utiliser de dispositifs mécaniques ou d'autres moyens pour accélérer le processus de dégivrage.

### **Élimination**

- Avant de jeter l'appareil, retirer le joint de la porte tout en laissant les tablettes et les paniers en place et garder les enfants éloignés de l'appareil.
- Éliminer tous les matériaux d'emballage (comme les sacs en plastique et le polystyrène) loin des enfants. Les matériaux d'emballage peuvent provoquer une suffocation.

### **Sécurité technique**

- Gardez les ouvertures de ventilation, dans l'enceinte de l'appareil ou dans la structure intégrée, exemptes d'obstruction.
- N'utilisez pas d'appareils électriques à l'intérieur du réfrigérateur.
- Le réfrigérant et le gaz d'isolation utilisés dans l'appareil nécessitent des procédures d'élimination particulières. Consultez un agent de service ou une personne qualifiée avant de les éliminer.
- Tout réfrigérant fuyant des tuyaux peut provoquer un incendie ou une explosion.
- La quantité de réfrigérant dans votre appareil est indiquée sur la plaque signalétique à l'intérieur de l'appareil.
- Ne jamais mettre en marche un appareil montrant des signes de dommages. En cas de doute, consultez votre revendeur.

- Cet appareil est destiné à être utilisé dans des applications de ménage ou similaires seulement. Il ne doit pas être utilisé à des fins commerciales ou de restauration ni dans toute application mobile comme une caravane ou un bateau.
- Ne pas stocker dans cet appareil de substances explosives comme des aérosols avec un propulseur inflammable.
- Cet appareil de réfrigération n'est pas destiné à être utilisé comme appareil encastré.

### Risque d'incendie et matériaux inflammables



Ce symbole vous avertit de matériaux inflammables qui peuvent s'enflammer et provoquer un incendie si vous ne prenez pas de précautions.

- Cet appareil contient une petite quantité de réfrigérant isobutane (R600a), mais il est également combustible. Lors du transport et de l'installation de l'appareil, veillez à ce qu'aucune pièce du circuit frigorifique ne soit endommagée.
- Si une fuite est détectée, éviter toutes flammes ou sources potentielles d'inflammation et aérer la pièce où se trouve l'appareil pendant plusieurs minutes. Afin d'éviter l'accumulation d'un mélange de gaz-air inflammable si une fuite se produit dans le circuit réfrigérant, la taille de la pièce dans laquelle l'appareil est utilisé doit correspondre à la quantité de réfrigérant utilisée. La pièce doit faire 1 m<sup>2</sup> par 8 g de réfrigérant R600a à l'intérieur de l'appareil.
- Lors du positionnement de l'appareil, assurez-vous que le cordon d'alimentation ne soit pas coincé ou endommagé.
- Ne pas placer plusieurs prises de courant portables ou alimentations portables à l'arrière de l'appareil.

### ATTENTION

**Pour réduire le risque de blessures légères à une personne, dysfonctionnement ou dommages au produit ou à la propriété lors de l'utilisation de cet appareil, suivre les précautions de base, notamment les suivantes :**

#### Installation

- Ne pas incliner l'appareil pour le tirer ou le pousser lors de son transport.
- Assurez-vous de ne pas vous coincer une partie du corps, comme la main ou le pied en déplaçant l'appareil.

## Utilisation

- Ne pas toucher d'aliments surgelés ou de pièces métalliques dans le compartiment congélateur avec des mains mouillées ou humides. Cela peut causer des gelures.
- Ne pas placer de récipients, de bouteilles ou de boîtes en verre (en particulier celles contenant des boissons gazeuses) dans le compartiment congélateur, les étagères ou le bac à glaçons qui seront exposés à des températures au-delà du point de congélation.
- Le verre trempé sur le devant de la porte de l'appareil ou sur les étagères peut être endommagé par un choc. S'il est cassé, ne le touchez pas avec les mains.
- Ne pas s'accrocher aux portes de l'appareil, dans l'espace de stockage, sur une tablette ni monter dessus.
- Ne pas stocker une quantité excessive de bouteilles d'eau ou de récipients pour des plats d'accompagnement sur les paniers de la porte.
- Empêcher les animaux de grignoter le câble d'alimentation ou le tuyau d'eau.
- Ne pas ouvrir ou fermer la porte de l'appareil avec une force excessive.
- Si la charnière de la porte de l'appareil est endommagée ou fonctionne mal, cesser l'utilisation et contacter un centre de service LG Electronics.
- Ne pas nettoyer les tablettes en verre ou les couvrir d'eau chaude quand elles sont froides.
- Ne jamais manger d'aliments congelés immédiatement après les avoir sortis du congélateur.
- Assurez-vous de ne pas coincer une main ou un pied lors de l'ouverture ou la fermeture de la porte de l'appareil.

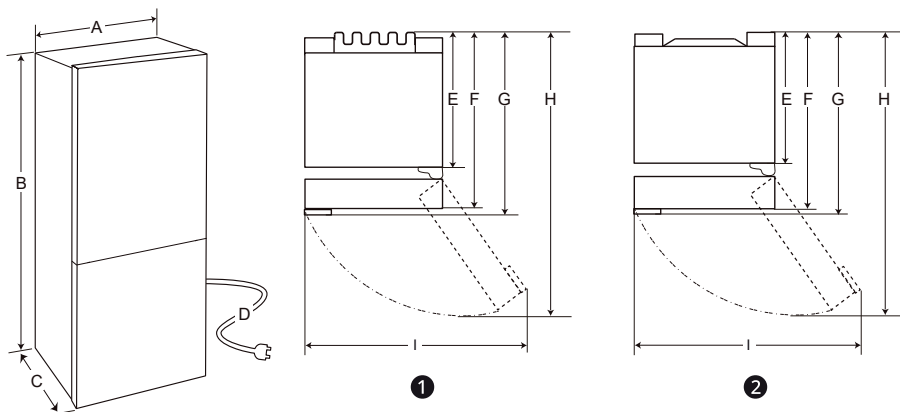
## Maintenance

- N'insérez pas les étagères à l'envers. Les étagères peuvent tomber.
- Pour enlever le givre de l'appareil, contacter un centre d'information client LG Electronics.



## Dimensions et dégagements

Une distance trop faible des éléments adjacents peut entraîner une dégradation de la capacité de congélation et des coûts d'électricité élevés. Laisser plus de 50 mm de dégagement par rapport à chaque mur adjacent lors de l'installation de l'appareil.



	①		②	
	Taille [mm]			
	Poignée compacte	Poignée barre	Poignée compacte	Poignée barre
A	595	595	595	595
B	1 860 / 2 030	1 860 / 2 030	1 860 / 2 030	1 860 / 2 030
C	682	718	675	712
D	2 100	2 100	2 100	2 100
E	616	616	610	610
F	682	682	675	675
G	-	718	-	712
H	1 230	1 237	1 225	1 232
I	995	995	995	995

### REMARQUE

- Les mesures du tableau ci-dessus sont approximatives.

## Température ambiante

- L'appareil est conçu pour fonctionner dans une gamme limitée de températures ambiantes, en fonction de la zone climatique.
- Les températures internes peuvent être affectées par l'emplacement de l'appareil, la température ambiante, la fréquence de l'ouverture de la porte, etc.
- La classe climatique se trouve sur l'étiquette de classement.

Classe climatique	Plage de température ambiante °C
SN (Tempérée étendue)	+10 - +32
N (Tempérée)	+16 - +32
ST (Subtropicale)	+16 - +38
T (Tropicale)	+16 - +43 / +10 - +43*

\*Australie, Inde, Kenya

### REMARQUE

Les appareils classés de SN à T sont destinés à être utilisés à une température ambiante comprise entre 10°C et 43°C.

## Notes pour l'utilisation

- Les utilisateurs doivent garder à l'esprit que du gel peut se former si la porte n'est pas complètement fermée, si l'humidité est élevée pendant l'été ou si la porte du congélateur est fréquemment ouverte.
- S'assurer qu'il y ait suffisamment d'espace entre les aliments stockés sur la tablette ou le panier de la porte pour permettre à la porte de se fermer complètement.
- L'ouverture prolongée de la porte peut entraîner une augmentation significative de la température dans les compartiments de l'appareil.
- Si l'appareil de réfrigération reste vide pendant de longues périodes, mettez-le hors tension, décongelez-le, nettoyez-le, séchez-le et laissez la porte ouverte afin d'éviter le développement de moisissure dans l'appareil.

## Suggestions relatives à l'économie d'énergie

- S'assurer qu'il y ait suffisamment d'espace entre les aliments stockés. Cela permet à l'air froid de circuler uniformément et réduit les factures d'électricité.
- Conserver les aliments chauds seulement après qu'ils aient refroidis afin d'éviter une formation de rosée ou de givre.
- Lors du stockage d'aliments dans le congélateur, régler la température du congélateur inférieure à la température indiquée sur l'aliment.
- Ne pas mettre d'aliments à proximité du capteur de température du réfrigérateur. Garder une distance d'au moins 3 cm du capteur.
- Noter qu'une augmentation de la température après le dégivrage dispose d'une plage autorisée dans les spécifications de l'appareil. Si vous souhaitez réduire l'impact que cela peut avoir sur le stockage des aliments en raison d'une élévation de la température, sceller ou envelopper la nourriture stockée dans plusieurs couches.
- Le système de dégivrage automatique dans l'appareil garantit que le compartiment reste exempt d'accumulation de glace dans des conditions de fonctionnement normales.
- Pour une utilisation optimale de l'énergie, conservez toutes les pièces internes (par exemple, les bacs de porte, les tiroirs et les étagères) à leur emplacement d'origine.
- Ne pas régler la température de l'appareil en dessous de ce qui est nécessaire.

## Conservation efficace des aliments

- Conservez les aliments surgelés ou réfrigérés à l'intérieur de récipients hermétiques.
- Vérifier la date d'expiration et l'étiquette (instructions de stockage) avant de stocker de la nourriture dans l'appareil.
- Ne pas stocker de nourriture pendant une longue période si elle se détériore facilement à basse température.
- Mettre les aliments réfrigérés ou surgelés à l'intérieur de chaque compartiment réfrigérateur ou congélateur immédiatement après l'achat. Éviter de recongeler tout aliment qui a été complètement décongelé. Le recongelation d'un aliment qui a été complètement décongelé réduit son goût et ses propriétés nutritives.
- Conserver la viande et le poisson crus dans des récipients appropriés au réfrigérateur, de manière à ce qu'ils ne soient pas en contact avec d'autres aliments ni ne gouttent dessus.
- Ne pas envelopper ni stocker de légumes avec du papier journal. Le matériau d'impression du journal ou d'autres substances étrangères peuvent souiller et contaminer les aliments.
- Ne pas remplir l'appareil en excès. L'air froid ne peut pas circuler correctement si l'appareil est trop rempli.
- Si vous réglez une température trop basse pour la nourriture, elle peut congeler. Ne pas régler une température inférieure à la température requise pour un stockage correct de la nourriture.
- Pour plus de place, vous pouvez retirer le porte-bouteilles, le bac à œufs, le bac à glaçons et le tiroir du convertisseur de fraîcheur.
- Les aliments peuvent geler ou se gâter s'ils sont conservés à une mauvaise température.
- Réglez le réfrigérateur à la bonne température pour les aliments stockés.

## Capacité maximale de congélation

- La fonction de Express Freeze mettra le congélateur à sa capacité de congélation maximale. Elle prend généralement jusqu'à 24 heures et s'arrête automatiquement.
- Si la capacité maximale de congélation doit être utilisée, l'Express Freeze doit être mis en marche pendant sept heures avant que les produits frais ne soient placés dans le compartiment congélateur.

## Congeler la quantité maximale d'aliments

- Pour assurer une meilleure circulation de l'air, insérer tous les tiroirs.
- Si de grandes quantités d'aliments doivent être stockées, tous les tiroirs du congélateur doivent être retirés de l'appareil et les aliments doivent être empilés directement sur l'étagère (ou les étagères) du congélateur dans le compartiment congélateur.

### REMARQUE

- Pour retirer les tiroirs, commencez par retirer les aliments des tiroirs, puis retirez-les délicatement. Ne pas le faire pourrait causer des blessures ou des dommages aux tiroirs.
- La forme de chaque tiroir peut être différente, les insérer dans la bonne position.

## Réglage de la température

Cela permet de régler la température du réfrigérateur ou la température du congélateur.

- Appuyer sur le bouton **Fridge** ou **Freezer** pour régler la température.
- La température peut être réglée.
  - Réfrigérateur : de 1 °C à 7 °C
  - Congélateur : de -15 °C à -23 °C
- La température initiale est réglée.
  - Réfrigérateur : 3 °C
  - Congélateur : -18 °C

La température interne réelle varie en fonction de l'état des aliments, étant donné que la température de réglage indiquée est une température cible, non la température réelle à l'intérieur de l'appareil.

### REMARQUE

- Le réglage de la température par défaut peut varier en fonction de l'appareil.
- Il est recommandé d'augmenter ou de diminuer de 1 °C ou d'un niveau la température par défaut de chaque compartiment pour une conservation optimale des aliments.

- Attendre jusqu'à 2 ou 3 heures après la connexion de l'appareil à la prise avant de stocker de la nourriture dans l'appareil.
- Pour fabriquer de la glace dans des climats normaux, les températures de congélation doivent être réglées à -18°C ou plus froides.

## Alarme de température élevée

Lorsque la température du réfrigérateur s'élève en raison d'une panne de secteur, le voyant LED de température du réfrigérateur clignote et une alarme retentit.

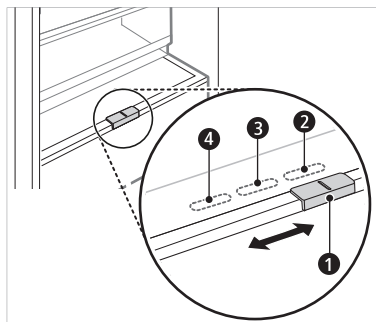
- Appuyez sur le bouton **Freezer** pour l'arrêter.
- Si la température est suffisamment froide, le clignotement et l'alarme s'arrêtent automatiquement.
- Cette fonction s'active :
  - Lorsque le réfrigérateur est sous tension.
  - Lorsque le compartiment congélateur devient trop chaud.
  - En cas de panne secteur qui dure un certain temps.
  - Lorsque la porte du congélateur est laissée ouverte trop longtemps ou trop fréquemment.
  - Lorsqu'une grande quantité d'aliments chauds est placée dans le compartiment congélateur.
  - Lorsque la porte du congélateur est laissée ouverte trop longtemps ou trop

## Convertisseur de fraîcheur ( \* )

En tant que compartiment réfrigéré, la température dans le convertisseur de fraîcheur peut être contrôlée en faisant coulisser le levier

①, situé à l'avant du compartiment, dans l'une ou l'autre direction.

Si vous conservez des légumes après avoir effectué un réglage pour la viande ou le poisson, une lésion due au froid peut se produire.



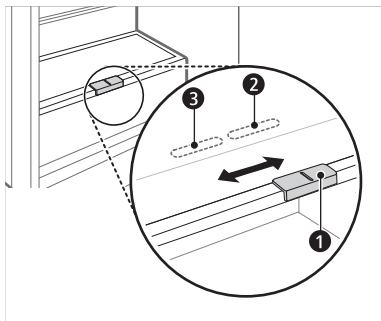
- ② Pour conserver des légumes.  
(Recommandé)
- ③ Pour conserver du poisson.
- ④ Pour conserver de la viande.

### REMARQUE

- ( \* ) : Cette fonctionnalité varie en fonction du modèle acheté.

## Bac à légumes frais ( \* )

L'humidité du compartiment à légumes peut être réglée en tournant le bouton ①.



- ② Pour conserver des légumes.  
(Recommandé)
- ③ Pour conserver des fruits.

### REMARQUE

- ( \* ) : Cette fonctionnalité varie en fonction du modèle acheté.

## Compartiments de stockage d'aliments

### Stockage d'aliments dans le compartiment réfrigérateur

- **Tablette du réfrigérateur**
  - C'est là que les aliments et autres articles réfrigérés sont stockés.
  - La hauteur d'étagère peut être ajustée en insérant l'étagère dans une autre rainure de hauteur différente.
  - Conserver les aliments à plus forte teneur en humidité à l'avant de la tablette.
  - Le nombre réel de tablettes diffère d'un modèle à l'autre.
- **Porte-bouteilles (\*)**
  - C'est là que les grandes bouteilles à boire ou des récipients sont stockés.
- **Étagère pliante (\*)**
  - C'est là que les aliments et articles hauts réfrigérés sont stockés.
- **Bac à légumes frais (\*)**
  - Il s'agit de l'endroit où les fruits et légumes sont stockés pour aider à conserver leur fraîcheur en ajustant le régulateur d'humidité.
  - L'aspect des composants de l'appareil peuvent varier d'un modèle à l'autre.
- **Convertisseur de fraîcheur (\*)**
  - En tant que compartiment réfrigéré, c'est là que la viande, le poisson et les légumes sont stockés. Aidez à maintenir la fraîcheur en ajustant le contrôleur d'humidité situé à l'arrière du compartiment réfrigérateur.
  - Pour plus d'espace, vous pouvez utiliser la zone de refroidissement sans tiroir de refroidissement
- **Plateau à œufs mobile**
  - C'est là où sont stockés les œufs.
  - Vous pouvez le déplacer et l'utiliser dans la position qui vous convient. Cependant, ne pas l'utiliser comme bac à glaçons ou le placer sur l'étagère en haut du réfrigérateur ou du bac à légumes.

- **Panier de porte du réfrigérateur**

- C'est là que les petits aliments, boissons et récipients de sauce réfrigérés sont stockés.

- **Réservoir du distributeur d'eau (\*)**

- C'est là où est stockée l'eau pour alimenter le distributeur ou la machine à glaçons automatique. Il nécessite un remplissage manuel (modèles sans plomberie uniquement)

### Stockage d'aliments dans le compartiment congélateur

- **Bac à glaçons**

- C'est là où la glace est produite et stockée.
- Pour plus d'espace, vous pouvez retirer le bac à glaçons ou le seau à glaçons.

- **Tiroir du Congélateur**

- Il est destiné au stockage à long terme de produits congelés.
- Pour congeler rapidement les produits alimentaires, rangez les aliments sur le côté gauche du tiroir du haut. Les produits alimentaires se congèlent plus rapidement dans le tiroir.

#### REMARQUE

- (\*) : Cette fonctionnalité varie en fonction du modèle acheté.
- Pour plus d'informations sur les autres compartiments, visitez [lg.com](http://lg.com) et téléchargez les manuels du propriétaire.

## Panneau de commande

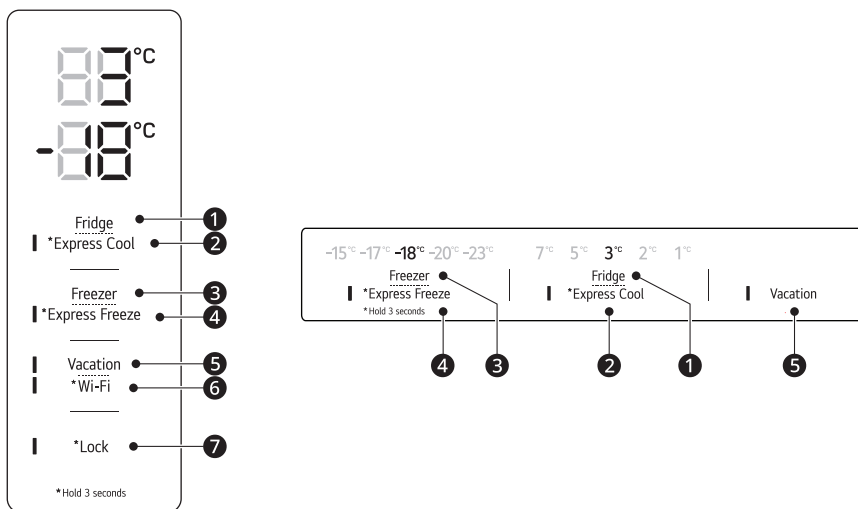
Le panneau de commande peut différer d'un modèle à l'autre.

### Panneau de commande et fonctions

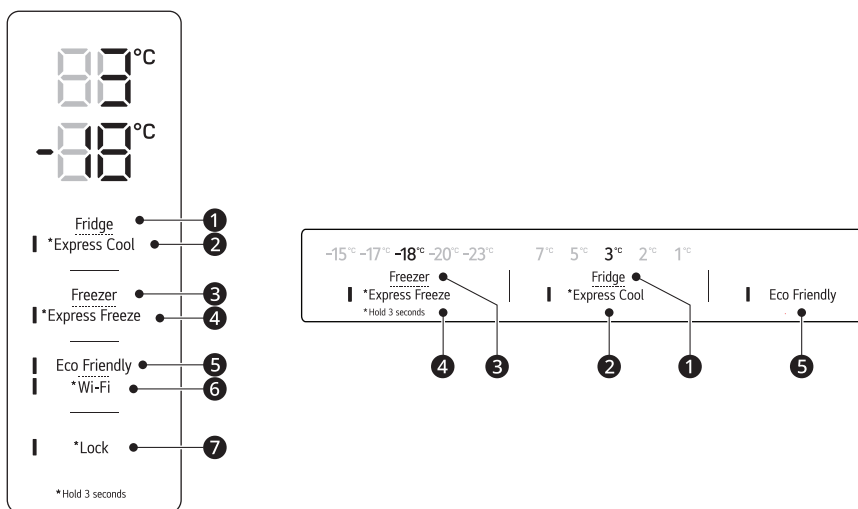
\*1 Cette fonctionnalité n'est disponible que sur certains modèles.

Le panneau de commande se trouve sur la Porte du Réfrigérateur ou à l'intérieur du Réfrigérateur selon le modèle.

#### Type A



#### Type B



**1 Fridge**

Appuyez à plusieurs reprises sur ce bouton pour sélectionner la température souhaitée entre 1°C et 7°C.

- La température par défaut du réfrigérateur est de 3°C.

**2 Express Cool**

Cette fonction peut rapidement refroidir une grande quantité d'aliments tels que des légumes, des fruits, etc.

- Cette fonction est activée et désactivée à chaque fois que vous appuyez sur le bouton pendant 3 secondes.

**3 Freezer**

Appuyez à plusieurs reprises sur ce bouton pour sélectionner la température souhaitée entre -15 °C et -23 °C.

- La température par défaut du congélateur est de -18°C.

**4 Express Freeze**

Cette fonction permet de congeler rapidement une grande quantité de glace ou d'aliments surgelés.

- Appuyez sur le bouton **Express Freeze** pour activer la fonction pendant 24 heures. La fonction se désactive automatiquement après 24 heures.
- Cette fonction est activée et désactivée à chaque fois que vous appuyez sur le bouton pendant 3 secondes.
- Lorsque ce mode est activé, un bruit peut se produire et la consommation d'énergie peut augmenter.

**5 Vacation**

Cette fonction est utile lorsque vous êtes en vacances. Lorsque cette fonction est activée, la température du réfrigérateur est de 7 °C et la température du congélateur de -15 °C. Lorsque cette fonction est désactivée, la température du réfrigérateur et du congélateur revient aux réglages de température précédents.

- Cette fonction est activée et désactivée à chaque fois que vous appuyez sur le bouton.
- Lorsque ce mode est activé, les autres boutons ne fonctionnent pas, excepté **Lock** et **Wi-Fi**.
- **Eco Friendly** a été renommée **Vacation**.

**⚠ ATTENTION**

- Lorsque cette fonction est activée, faites attention à la conservation des aliments qui nécessitent une température plus basse que la température préréglée.
- Lorsque vous rentrez chez vous, n'oubliez pas de désactiver cette fonction pour déverrouiller les autres boutons et ramener le réfrigérateur à ses réglages de température précédents.

**6 Wi-Fi\*1**

Ce bouton permet à l'appareil de se connecter à un réseau Wi-Fi domestique. Reportez-vous aux **SMART FUNCTIONS** pour obtenir des informations sur la configuration initiale de l'application **LG ThinQ**.

**7 Lock\*1**

Verrouille les boutons du panneau de commande.

- Pour verrouiller les boutons du panneau de commande, appuyez et maintenir enfoncé le bouton **Lock** pendant 3 secondes jusqu'à ce que la fonction soit activée.
- Pour désactiver la fonction, appuyez et maintenir enfoncé le bouton **Lock** pendant 3 secondes jusqu'à ce que la fonction soit désactivée.

**REMARQUE**

- Il est recommandé d'augmenter ou de diminuer de 1 °C ou d'un niveau la température par défaut de chaque compartiment pour une conservation optimale des aliments.
- La température affichée est la température cible et non la température réelle à l'intérieur de l'appareil.
- La température réelle à l'intérieur de l'appareil dépend des facteurs suivants: la température ambiante, la quantité de nourriture, la fréquence d'ouverture des portes et l'emplacement de l'appareil. Réglez les températures en tenant compte de ces facteurs.
- Le panneau de commande se met automatiquement hors tension pour économiser l'énergie.
- S'il y a un doigt ou un contact avec la peau sur le panneau de commande pendant le nettoyage, la fonction du bouton peut être déclenchée.

## Application LG ThinQ

Cette fonctionnalité est uniquement disponible sur les modèles avec le Wi-Fi.

L'application **LG ThinQ** vous permet de communiquer avec l'appareil à l'aide d'un smartphone.

## Caractéristiques de l'application LG ThinQ

Communiquez avec le dispositif depuis un SmartPhone au moyen de fonctions intelligentes.

### Smart Diagnosis

- Si vous rencontrez un problème lors de l'utilisation de l'appareil, cette fonction de diagnostic intelligent vous aidera à diagnostiquer le problème.

### Réglages

- Vous permet de régler plusieurs options dans l'appareil et dans l'application.

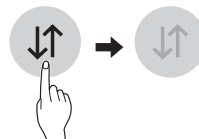
### REMARQUE

- Si vous changez le routeur sans fil, le fournisseur de services Internet ou le mot de passe, supprimer l'appareil enregistré de l'application **LG ThinQ** et l'enregistrer à nouveau.
- L'application peut changer, dans le but d'améliorer le produit, sans que les utilisateurs n'en soient informés.
- Les caractéristiques peuvent varier selon le modèle.

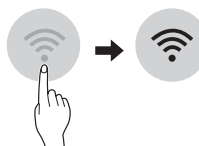
## Avant d'utiliser l'application LG ThinQ

- 1 Vérifier la distance entre l'appareil et le routeur sans fil (Réseau Wi-Fi),
  - Si la distance entre l'appareil et le routeur sans fil est trop éloignée, la puissance du signal devient faible. L'installation peut prendre trop de temps ou l'installation peut échouer.


- 2 Désactiver les **Mobile data** ou les **Cellular Data** sur votre smartphone.



- 3 Connectez votre smartphone au routeur sans fil.



### REMARQUE

- Pour vérifier la connexion Wi-Fi, vérifiez que l'icône  s'allume sur le panneau de commande.
- L'appareil prend en charge les réseaux Wi-Fi 2,4 GHz uniquement. Pour vérifier la fréquence de votre réseau, contacter votre fournisseur de services Internet ou consulter le manuel de votre routeur sans fil.
- **LG ThinQ** ne saurait être tenu responsable en cas de problèmes de connexion au réseau, ou de problèmes/dysfonctionnements/erreurs provoqués par la connexion réseau.
- Si l'appareil a du mal à se connecter au Wi-Fi, il se peut qu'il soit trop éloigné du routeur. Achetez un répéteur Wi-Fi pour améliorer la force du signal.
- La connexion Wi-Fi peut avoir du mal à s'établir, ou peut être coupée à cause d'un environnement gênant.
- La connexion réseau peut avoir du mal à fonctionner, en fonction du fournisseur d'accès choisi.
- L'environnement sans fil peut entraîner un ralentissement du réseau.
- L'appareil ne peut pas être enregistré en raison de problèmes liés à la transmission du signal sans fil. Débranchez l'appareil et attendez environ une minute avant de réessayer.
- Si le pare-feu de votre routeur sans fil est activé, désactivez le pare-feu ou ajoutez une exception à ce dernier.




- Le nom du réseau sans fil (SSID) doit être composé d'une combinaison de chiffres et de lettres anglais (les caractères spéciaux ne sont pas autorisés).
- L'interface d'utilisateur du Smartphone (IU) peut varier en fonction du système d'exploitation du téléphone (SE) et du fabricant.
- Si le protocole de sécurité du routeur est configuré sur **WEP**, il est possible que vous ne puissiez pas configurer le réseau. Veuillez le modifier par d'autres protocoles de sécurité (**WPA2** est recommandé) et enregistrer le produit à nouveau.

## Installation de l'application LG ThinQ

Chercher l'application **LG ThinQ** dans Google Play Store & Apple App Store sur un smartphone.

- Suivez les instructions pour télécharger et installer l'application.

## Connexion à un réseau Wi-Fi

Lorsqu'il est utilisé avec l'application **LG ThinQ**, le bouton **Wi-Fi** permet à l'appareil de se connecter au réseau Wi-Fi du foyer. L'icône  affiche le statut de la connexion au réseau de l'appareil. L'icône s'allume lorsque l'appareil est connecté au réseau Wi-Fi.


### Enregistrement initial de l'appareil

- Lancer l'application **LG ThinQ** et suivre les instructions dans l'application pour enregistrer l'appareil.

### Re-enregistrer l'appareil ou enregistrer un autre utilisateur

- Maintenir le bouton **Wi-Fi** appuyé pendant 3 secondes pour le désactiver temporairement. Lancer l'application **LG ThinQ** et suivre les instructions dans l'application pour enregistrer l'appareil.

### REMARQUE

- Pour désactiver la fonction Wi-Fi, maintenir le bouton **Wi-Fi** appuyé pendant 3 secondes. L'icône  sera éteinte.

## Informations sur les logiciels libres

Pour obtenir le code source sous les licences GPL, LGPL, MPL et autres licences de source ouverte qui ont l'obligation de divulguer le code source, qui est contenu dans ce produit, et pour accéder à toutes les conditions de licence mentionnées, aux avis de droits d'auteur et autres documents pertinents, veuillez visiter le site <https://opensource.lge.com>.

LG Electronics peut aussi vous fournir le code source sur CD-ROM moyennant le paiement des frais de distribution (support, envoi et manutention) sur simple demande adressée par e-mail à [opensource@lge.com](mailto:opensource@lge.com).

Cette offre est valable pour toute personne recevant ces informations pendant une période de trois ans après notre dernière expédition de ce produit.

## Notes relatives au nettoyage

- Lorsque vous retirez une tablette ou un tiroir dans l'appareil, enlever tous les aliments stockés sur la tablette ou le tiroir afin d'éviter des blessures ou des dommages à l'appareil.
  - Dans le cas contraire, des blessures peuvent survenir en raison du poids des aliments stockés.
- En cas de nettoyage des bouches d'aération à l'extérieur de l'appareil au moyen d'un aspirateur, le cordon d'alimentation doit être débranché de la prise afin d'éviter toute décharge statique qui peut endommager les composants électroniques ou provoquer un choc électrique.
- Détacher les tablettes et les tiroirs et les nettoyer avec de l'eau, puis les sécher suffisamment avant de les replacer.
- Essuyer régulièrement les joints de la porte avec un chiffon doux et humide.
- Le panier de porte fuit et les taches doivent être nettoyées car elles peuvent compromettre la capacité de stockage du panier et même l'endommager.
- Après nettoyage, vérifier que le câble d'alimentation ne soit pas endommagé, chaud ou mal branché.
- Assurer la propreté de l'évacuation de l'air à l'extérieur de l'appareil.
  - Une évacuation d'air obstruée peut provoquer un incendie ou endommager l'appareil.
- Lors du nettoyage intérieur ou extérieur de l'appareil, ne pas l'essuyer avec une brosse dure, du dentifrice ou des matériaux inflammables. Ne pas utiliser de produits de nettoyage contenant des substances inflammables.
  - Cela peut provoquer une décoloration ou des dommages à l'appareil.
  - Substances inflammables : alcool (éthanol, méthanol, alcool isopropylique, alcool isobutylique, etc.), diluant, eau de javel, benzène, liquide inflammable, abrasif, etc.
- Pour l'extérieur de l'appareil, utiliser une éponge propre ou un chiffon doux et un détergent doux dans de l'eau tiède. Ne pas utiliser de nettoyants abrasifs. Sécher soigneusement avec un chiffon doux.
- Ne jamais nettoyer les tablettes ou les récipients au lave-vaisselle.
  - Les parties peuvent se déformer en raison de la chaleur.
- Nettoyer régulièrement les surfaces pouvant entrer en contact avec des aliments et des systèmes de drainage accessibles.
- Si l'appareil est équipé d'une lampe LED, ne retirez pas le couvercle de la lampe et la lampe LED pour quelque tentative de réparation ou d'entretien. Veuillez contacter un centre d'information client LG Electronics.

## Recyclage de votre ancien appareil



- Ce symbole de poubelle barrée d'une croix indique que votre équipement électrique et électronique (EEE) ne doit pas être jeté avec les ordures ménagères. Il doit faire l'objet d'un tri et d'une collecte sélective séparée.
- Les équipements électriques que vous jetez peuvent contenir des substances dangereuses. Il est donc important de les jeter de façon appropriée afin d'éviter des impacts négatifs sur l'environnement et la santé humaine. L'équipement que vous jetez peut également contenir des pièces réutilisables pour la réparation d'autres produits ainsi que des matériaux précieux pouvant être recyclés pour préserver les ressources de la planète.
- Vous pouvez rapporter votre appareil au commerçant qui vous l'a vendu ou contacter votre collectivité locale pour connaître les points de collecte de votre EEE. Vous trouverez également des informations à jour concernant votre pays en allant sur [www.quefairedemesdechets.fr](http://www.quefairedemesdechets.fr)

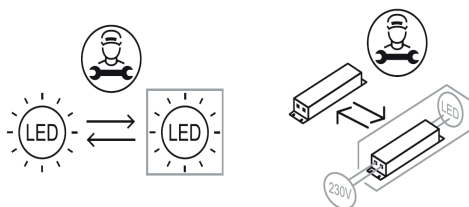
## Service à la clientèle

Contactez le centre d'informations client LG Electronics.

- Pour trouver des informations sur le centre de service agréé LG, consultez notre page web sur [www.lg.com](http://www.lg.com).
- Seul le personnel technique qualifié du centre de service LG peut démonter, réparer, ou modifier l'appareil.
- La période de garantie minimale de cet appareil de réfrigération est de 24 mois.
- Pour acheter des pièces de rechange, contactez un centre d'informations à la clientèle LG Electronics ou notre page web sur [www.lg.com](http://www.lg.com).
- Les pièces de rechange référencées dans la Réglementation 2019/2019 de l'EU sont disponibles pour une durée de 7 ans (seuls les joints d'étanchéité sont disponibles pendant 10 ans).

## REMARQUE

- Pour plus d'informations concernant l'efficacité énergétique de l'appareil, visitez <https://ec.europa.eu> et faites une recherche avec le nom du modèle (valable jusqu'au 1er mars 2021).
- Le Règlement UE 2019/2019, valable à partir du 1er mars 2021, est lié aux classes d'efficacité énergétique par le Règlement UE 2019/2016.
- Scannez le code QR indiqué sur l'étiquette énergétique fournit avec l'appareil, qui fournit un lien Web vers les informations relatives aux performances de l'appareil dans la base de données UE EPREL. Conservez l'étiquette énergétique pour référence ainsi que tous les autres documents fournis avec l'appareil (valable jusqu'au 1er mars 2021).
- Le nom du modèle se trouve sur l'étiquette de classement de l'appareil.
- Ce produit contient une source lumineuse de classe d'efficacité énergétique G.



FR

**Cet appareil  
et ses accessoires  
se recyclent**

REPRISE  
À LA LIVRAISON



OU

À DÉPOSER  
EN MAGASIN



OU

À DÉPOSER  
EN DÉCHÈTERIE



Points de collecte sur [www.quefairedemesdechets.fr](http://www.quefairedemesdechets.fr)  
Privilégiez la réparation ou le don de votre appareil !



KORISNIČKI PRIRUČNIK

# HLADNJAK & ZAMRZIVAČ

**Prije upotrebe uređaja pažljivo pročitajte ovaj korisnički priručnik i zadržite ga za buduću uporabu.**

[www.lg.com](http://www.lg.com)

Detaljnije informacije potražite u vlasničkom priručniku na internetskoj stranici tvrtke LG.  
Autorsko pravo © 2019-2023 LG Electronics Inc. Sva prava pridržana

# SADRŽAJ

Ovaj priručnik može sadržavati ilustracije ili sadržaj koji se razlikuju od modela koji ste kupili.

Ovaj je priručnik podložan izmjenama koje provodi proizvođač.

<b>SIGURNOSNE UPUTE .....</b>	<b>3</b>
VAŽNE SIGURNOSNE UPUTE .....	3
<b>POSTAVLJANJE .....</b>	<b>10</b>
Dimenzije i slobodan prostor .....	10
Temperatura okoline .....	10
<b>RAD .....</b>	<b>11</b>
Napomene za rad .....	11
Pretvorivi odjeljak za svježinu ( * ) .....	12
Ladica za svježe povrće ( * ) .....	12
Upravljačka ploča .....	14
<b>PAMETNE FUNKCIJE .....</b>	<b>16</b>
Aplikacije ThinQ tvrtke LG .....	16
<b>ODRŽAVANJE .....</b>	<b>18</b>
Napomene za čišćenje .....	18
Zbrinjavanje starog uređaja .....	18
<b>RJEŠAVANJE PROBLEMA .....</b>	<b>19</b>

## Dodatne Informacije Priručnika

Ovo je kratka verzija uputa za uporabu.  
Za više informacija posjetite LG internetsku stranicu  
na adresi <http://www.lg.com>



## Rješavanje problema



Sljedeće smjernice za sigurnost namijenjene su sprječavanju nepredviđenih rizika ili oštećenja uzrokovanih neopreznom ili nepravilnom upotrebom proizvoda.

Smjernice su podijeljene na „**UPOZORENJE**” i „**OPREZ**” kao što je opisano u nastavku.

 Ovaj se simbol prikazuje da bi ukazao na događaje i radnje koji mogu predstavljati opasnost. Pažljivo pročitajte dio s ovim simbolom i slijedite upute kako biste izbjegli rizik.

### **UPOZORENJE**

Ovo označava da u slučaju nepridržavanja uputa može doći do težih ozljeda ili smrti.

### **OPREZ**

Ovo označava da u slučaju nepridržavanja uputa može doći do lakših ozljeda ili oštećenja proizvoda.

## VAŽNE SIGURNOSNE UPUTE

### **UPOZORENJE**

Kako biste smanjili opasnost od eksplozije, požara, smrti, strujnog udara, ozljede ili opekotina osoba prilikom upotrebe ovog proizvoda, slijedite osnovne mjere opreza, uključujući sljedeće:

#### **Djeca u kućanstvu**

- Ovim se uređajem ne bi trebale koristiti osobe (uključujući djecu) smanjenih tjelesnih, osjetilnih ili mentalnih sposobnosti, ili s manjkom iskustva i znanja, osim ako ih osoba koja je odgovorna za njihovu sigurnost ne nadzire ili im daje upute u vezi s upotrebom uređaja. Djecu treba nadgledati kako bi se osiguralo da se ne igraju s uređajem.
- Ako je uređaj opremljen bravom (samo kod nekih modela), držite ključ izvan dosega djece.

## **Za uporabu u Europi:**

• Ovim se uređajem mogu koristiti djeca starija od 8 godina i osobe sa smanjenim fizičkim, osjetilnim ili mentalnim sposobnostima ili s manjkom iskustva i znanja, uz nadzor ili upute o sigurnoj upotrebi uređaja te ako razumiju uključene opasnosti. Djeca se ne smiju igrati s uređajem. Čišćenje i održavanje ne smiju obavljati djeca bez nadzora.

- Djeca stara između 3 i 8 godina smiju puniti i prazniti hladnjake.

## **Postavljanje**

- Uređaj treba prenositi dvoje ili više ljudi držeći ga sigurno.
- Provjerite je li strujna utičnica pravilno uzemljena i je li zatik za uzemljenje na kabelu za napajanje oštećen ili uklonjen sa strujnog utikača. Za više detalja o uzemljenju raspitajte u informacijskom centru za korisnike tvrtke LG Electronics.
- Ovaj uređaj sadrži kabel za napajanje koji ima vodič za uzemljenje uređaja i utikač za uzemljenje. Utikač mora biti uključen u prikladnu strujnu utičnicu koja je pravilno postavljena i uzemljena u skladu sa svim lokalnim propisima i pravilnicima.
- Ako je kabel za napajanje oštećen ili je otvor strujne utičnice labav, ne upotrebljavajte strujni utikač i obratite se autoriziranom servisnom centru.
- Nemojte priključivati uređaj u višestruki utični adapter koji nema kabel za napajanje (montiran).
- Nemojte izmjenjivati ili produljivati kabel za napajanje.
- Uređaj treba biti povezan s namjenskom linijom za napajanje sa zasebnim osiguračima.
- Nemojte koristiti utičnicu s više utičnica koja nije ispravno uzemljena (prijenosnu). U slučaju da koristite pravilno uzemljenu utičnicu za više utičnica (prijenosnu), koristite utičnicu s više utičnica s naznačenim kapacitetom napajanja ili većim i koristite višestruku utičnicu samo za dotični uređaj.
- Postavite uređaj gdje je lako isključiti njegov utikač.
- Pripazite da ne usmjerite strujni utikač prema gore ili ne naslonite uređaj na utikač.
- Postavite uređaj na čvrst i ravan pod.
- Uređaj nemojte postavljati na vlažno ili prašnjavo mjesto. Uređaj nemojte postavljati u vanjskom prostoru ili u bilo kojem prostoru koji je podložan utjecajima vremenskih uvjeta poput sunčeve svjetlosti, vjetrova ili kiše ili temperatura ispod nula stupnjeva.

- Nemojte postaviti uređaj na izravnu sunčevu svjetlost ili ga izložiti toplini koju zrače toplinski uređaji poput štednjaka i grijalica.
- Pripazite da ne izložite stražnju stranu uređaja tijekom postavljanja.
- Pripazite da vrata uređaja ne padnu tijekom sastavljanja ili rastavljanja.
- Pripazite da ne priključite, prignječite ili oštetite kabel za napajanje tijekom sastavljanja ili rastavljanja vrata uređaja.
- U utičnicu ne priključujte adapter za utičnice ili drugi pribor.

## Rad

- Ne upotrebljavajte uređaj u druge svrhe (pohrana medicinskih ili eksperimentalnih materijala ili pošiljki), osim za upotrebu u domaćinstvu za čuvanje hrane.
- Isključite strujni utikač kada jako grmi ili sijeva ili kada se uređaj ne upotrebljava duže vrijeme.
- Ne dirajte strujni utikač ili kontrole uređaja mokrim rukama.
- Nemojte prekomjerno savijati kabel za napajanje ili stavljati teške predmete na njega.
- Ako voda prodre u električne dijelove uređaja, odspojite strujni utikač i obratite se informacijskom centru za korisnike tvrtke LG Electronics.
- Ne stavljajte ruke ili metalne predmete unutar područja u kojem se ispušta hladan zrak, na poklopac ili rešetku za otpuštanje topline na stražnjoj strani.
- Nemojte primjenjivati prekomjernu silu ili udarati stražnji poklopac uređaja.
- U proizvod ne stavljajte žive životinje. Životinja se može ugušiti.
- Pripazite na djecu u blizini kada otvarate ili zatvarate vrata uređaja. Vrata mogu udariti dijete i uzrokovati ozljede. Ne dopustite nikome da se ljulja niti na jednim vratima kako se uređaj ne bi prevrnuo i uzrokovao ozbiljne ozljede.
- Izbjegavajte opasnost od zatvaranja djece u uređaju. Dijete zatvoreno u uređaju može se ugušiti.
- Na uređaj ne stavljajte teške ili lomljive predmete, posude s tekućinom, zapaljive tvari, zapaljive predmete (npr. svijeće, svjetiljke, itd.) ili uređaje za grijanje (kao što su štednjaci, grijalice, itd.).
- Ako dođe do istjecanja plina (izobutana, propana, prirodnog plina itd.), ne dirajte uređaj ili strujni utikač i odmah prozračite prostor. Ova uređaj koristi rashladni plin (izobutan, R600a). Iako



upotrebljava male količine plina, plin je i dalje zapaljiv. Istjecanje plina tijekom prijevoza, postavljanja ili rada uređaja može uzrokovati požar, eksploziju ili ozljede ako dođe do iskrenja.

- Nemojte upotrebljavati ili pohranjivati zapaljive tvari (eter, benzen, alkohol, kemikalije, ukapljeni naftni plin, zapaljive raspršivače, insekticide, osvježivače zraka, kozmetiku itd.) u blizini uređaja.
- Odmah isključite strujni utikač i obratite se informacijskom centru za korisnike tvrtke LG Electronics ako uočite čudne zvukove, mirise ili dim koji dolaze iz uređaja.
- Ledomat ili spremnik za raspodjelu vode punite samo pitkom vodom.
- Nemojte oštetiti krug rashladnog sredstva.
- Nemojte stavljati nikakve elektroničke uređaje (poput grijača i mobilnog telefona) u ovaj uređaj.

## Održavanje

- Odspojite kabel za napajanje prije čišćenja uređaja ili mijenjanja unutrašnje žarulje (gdje je postavljena).
- Sigurno priključite strujni utikač u strujnu utičnicu nakon što potpuno uklonite vlagu i prašinu.
- Nikada nemojte isključivati uređaj povlačeći kabel za napajanje. Uvijek čvrsto uhvatite strujni utikač i povucite ga ravno iz strujne utičnice.
- U unutrašnjost ili na vanjsku površinu uređaja u svrhu čišćenja ne prskajte vodu ili zapaljive tvari (pastu za zube, alkohol, razrjeđivač, benzen, zapaljive tekućine, abrazivna sredstva, itd.).
- Nemojte čistiti uređaj četkama, krpama ili spužvama koje imaju grube površine ili su načinjene od metalnih materijala.
- Samo stručno osoblje iz servisnog centra tvrtke LG Electronics smije rastavljati, popravljati ili mijenjati uređaj. Obratite se informacijskom centru za korisnike tvrtke LG Electronics ako premještate ili postavljate uređaj na drugo mjesto.
- Nemojte upotrebljavati sušilo za kosu da biste osušili unutrašnjost uređaja ili stavljati svijeće u unutrašnjost da biste uklonili neugodne mirise.
- Ne upotrebljavajte mehaničke uređaje ili druga sredstva za ubrzavanje procesa odmrzavanja.

## **Odlaganje**

- Prilikom odlaganja uređaja, uklonite brtvu s vrata i ostavite police i košare na mjestu te držite djecu podalje od uređaja.
- Odložite sav ambalažni materijal (kao što su plastične vrećice i stiropor) dalje od djece. Ambalažni materijal može izazvati gušenje.

## **Tehnička sigurnost**

- Uklonite sve prepreke s ventilacijskih otvora u kućištu uređaja ili u ugrađenoj strukturi.
- Ne koristite električne aparate u hladnjaku.
- Rashladno sredstvo i izolacijski plin koji se upotrebljavaju u uređaju zahtijevaju posebne postupke odlaganja. Obratite se serviseru ili slično kvalificiranoj osobi prije njihova odlaganja.
- Rashladno sredstvo koje curi iz cijevi može se zapaliti ili uzrokovati eksploziju.
- Količina rashladnog sredstva u vašem uređaju prikazana je na identifikacijskoj pločici u uređaju.
- Nikada ne uključujte uređaj koji pokazuje znakove oštećenja. Ako imate sumnji, obratite se dobavljaču.
- Ovaj uređaj namijenjen je isključivo upotrebi u kućanstvu i sličnim primjenama. Ne smije se upotrebljavati u komercijalne ili ugostiteljske svrhe ili u pomičnim sredstvima kao što su kamp-prikolica ili brod.
- U ovaj uređaj ne pohranjujte eksplozivne tvari poput limenki aerosola sa zapaljivim sredstvom za potiskivanje.
- Ovaj rashladni uređaj nije namijenjen za upotrebu u ugradbenim primjenama.

## Rizik od požara i zapaljivih materijala



Ovaj simbol upozorava vas da se zapaljivi materijali mogu zapaliti i izazvati požar, ako ne budete poduzeli mjere opreza.

- Ovaj uređaj sadrži malu količinu rashladnog sredstva na bazi izobutana (R600a), ali je također zapaljiva. Prilikom transporta i postavljanja uređaja, pobrinite se da se niti jedan dio kruga rashladnog sredstva ne ošteti.
- Ako uočite istjecanje, izbjegavajte otvoreni plamen ili potencijalne izvore zapaljenja i na nekoliko minuta prozračite prostoriju u kojoj se nalazi uređaj. Kako biste izbjegli stvaranje zapaljive smjese plina i zraka u slučaju istjecanja iz kruga rashladnog sredstva, veličina prostorije u kojoj se uređaj nalazi mora odgovarati količini rashladnog sredstva koja se upotrebljava. Prostorija mora biti veća za 1 m<sup>2</sup> za svakih 8 g rashladnog sredstva R600a u uređaju.
- Kad postavljate uređaj vodite računa da kabel napajanja ne bude zaglavljen ili oštećen.
- Nemojte postavljati prijenosne utičnice s više utora ili prijenosne izvore napajanja sa stražnje strane uređaja.

## OPREZ

**Kako biste smanjili opasnost od manjih tjelesnih ozljeda, kvara ili oštećenja proizvoda ili imovine prilikom upotrebe ovog proizvoda, slijedite osnovne mjere opreza, uključujući sljedeće:**

### **Postavljanje**

- Nemojte naginjati uređaj niti ga povlačiti ili gurati tijekom prijevoza.
- Pazite da se prilikom pomicanja uređaja ne zaglavi dio tijela kao što je dlan ili stopalo.

### **Rad**

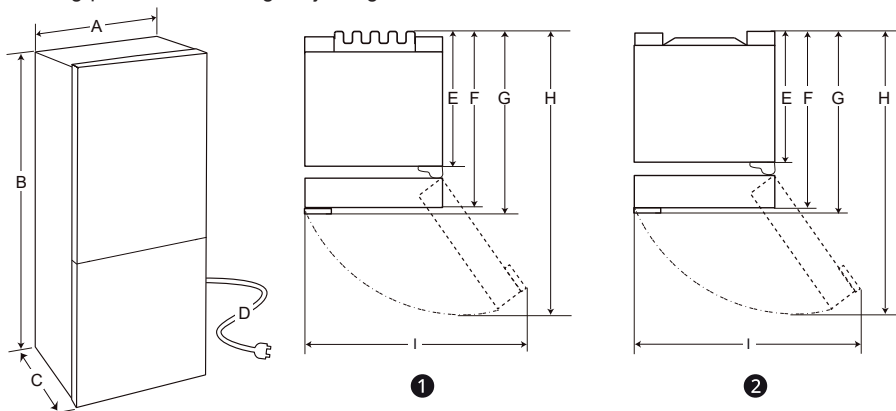
- Nemojte dirati zamrznutu hranu ili metalne dijelove u odjeljku zamrzivača mokrim ili vlažnim rukama. To može uzrokovati ozeblinae.
- Ne stavljajte staklene posude, boce ili limenke (posebice ako sadrže gazirana pića) u pretinac zamrzivača, na police ili posudu za led koje će biti izložene temperaturama ispod nule.
- Kaljeno staklo na prednjoj strani vrata uređaja ili police može se oštetiti udarcem. Ako je slomljeno, ne dodirujte ga rukama.
- Nemojte se naslanjati na vrata uređaja, odjeljak za pohranu ili policu ili se na njih penjati.
- Nemojte pohranjivati prekomjerne količine boca za vodu ili spremnika za jelo u košare vrata.
- Spriječite životinje da glođu kabel za napajanje ili cijev za vodu.
- Nemojte presnažno otvarati ili zatvarati vrata uređaja.
- Ako je šarka na vratima proizvoda oštećena ili neispravno radi, prekinite upotrebu i obratite se servisnom centru tvrtke LG Electronics.
- Nemojte čistiti staklene police ili poklopce toplom vodom kada su hladni.
- Nikada nemojte jesti zamrznutu hranu odmah nakon vađenja iz zamrzivača.
- Pazite da se dlan ili stopalo ne zaglave nakon otvaranja i zatvaranja vrata uređaja.

### **Održavanje**

- Ne stavljajte police naopako. Police mogu pasti.
- Za uklanjanje leda iz uređaja obratite se informacijskom centru za korisnike tvrtke LG Electronics.

## Dimenzije i slobodan prostor

Premala udaljenost od susjednih predmeta može rezultirati smanjenjem sposobnosti zamrzavanja i povećanim troškovima električne energije. Prilikom instalacije uređaja treba paziti na 50 mm slobodnog prostora od svakog susjednog zida.



	1		2	
	Veličina [mm]			
	Usađena ručka	Metalna ručka	Usađena ručka	Metalna ručka
A	595	595	595	595
B	1 860 / 2 030	1 860 / 2 030	1 860 / 2 030	1 860 / 2 030
C	682	718	675	712
D	2 100	2 100	2 100	2 100
E	616	616	610	610
F	682	682	675	675
G	-	718	-	712
H	1 230	1 237	1 225	1 232
I	995	995	995	995

### NAPOMENA

- Mjerenja u gornjoj tablici su približna.

## Temperatura okoline

- Uređaj je dizajniran za rad u ograničenom rasponu temperature okoline, ovisno o klimatskoj zoni.
- Na unutarnju temperaturu uređaja može utjecati položaj uređaja, temperatura okoline, učestalost otvaranja vrata i slično.
- Klimatski razred naznačen je na tipskoj naljepnici uređaja.

Klimatski razred	Raspon temperature okoline °C
SN (Produženo Umjereno)	+10 – +32
N (Umjereno)	+16 – +32
ST (Suptropsko)	+16 – +38
T (Tropsko)	+16 - +43 / +10 - +43*

\*Australija, Indija, Kenija

### NAPOMENA

Uređaji s oznakom od SN do T namijenjeni su upotrebi na temperaturi između 10 °C i 43 °C.

## Napomene za rad

- Korisnici bi trebali imati na umu da može doći do zaleđivanja ako se vrata ne zatvore do kraja ako je vlažnost velika tijekom ljeta ili ako se vrata zamrzivača često otvaraju.
- Provjerite ima li dovoljno prostora između hrane na polici i košare vrata kako bi se vrata mogla zatvoriti do kraja.
- Ako vrata hladnjaka ostanu otvorena dulje vrijeme, temperatura u odjeljcima može značajno narasti.
- Ako je hladnjak dulje vrijeme prazan, isključite ga, odmrznite, očistite, osušite te vrata ostavite otvorenima kako se u unutrašnjosti ne bi stvorila plijesan.

## Prijedlozi za uštedu energije

- Provjerite ima li dovoljno prostora među hranom. To omogućuje ujednačeno cirkuliranje hladnog zraka i smanjuje račun za struju.
- Čuvajte vruću hranu tek nakon što se ohladila kako biste spriječili stvaranje rose i zaleđivanje.
- Kada stavljate hranu u zamrzivač, postavite temperaturu zamrzivača koja je niža od temperature naznačene na hrani.
- Ne stavljajte hranu blizu senzora temperature u hladnjaku. Zadržite udaljenost od barem 3 cm od senzora.
- Imajte na umu da je povećanje temperature nakon odmrzavanja u dopuštenom rasponu prema tehničkim značajkama uređaja. Ako želite smanjiti učinak koji ovo može imati na čuvanje hrane uslijed povećanja temperature, stavite hranu u posudu ili je zamotajte u nekoliko slojeva.
- Sustav automatskog odmrzavanja u uređaju osigurava da se pod normalnim uvjetima rada u pretincu ne nakuplja led.
- Za najučinkovitije korištenje energije držite sve unutarnje dijelove (tj. posude na vratima, ladice i police) na mjestima gdje se originalno i nalaze.
- Nemojte postaviti nižu temperaturu uređaja nego što je potrebno.

## Učinkovito spremanje namirnica

- Smrznutu ili ohlađenu hranu čuvajte u dobro zatvorenim posudama.
- Provjerite datum isteka i naljepnicu (upute za pohranu) prije spremanja hrane u uređaj.
- Ne spremajte hranu na duže vrijeme ako se lako kvari pri niskim temperaturama.

- Ohlađenu ili zamrznutu hranu stavite u hladnjak ili zamrzivač odmah nakon kupnje.
- Sirovo meso i ribu pohranite u odgovarajuće odjeljke u hladnjaku kako ne bi dolazili u dodir s drugom hranom niti kapali na nju.
- Izbjegavajte ponovno zamrzavanje bilo koje hrane koja je potpuno odmrznuta. Ponovno zamrzavanje odmrznute hrane smanjit će njezin okus i nutritivne vrijednosti.
- Nemojte zamatati i čuvati povrće u novinskom papiru. Materijal ispisa na novinama ili ostale strane tvari mogu uprljati i onečistiti hranu.
- Nemojte prepuniti uređaj. Hladan zrak ne može pravilno kružiti ako je uređaj prepun.
- Ako postavite prenisu temperaturu za hranu, može se zamrznuti. Ne postavljajte temperaturu nižu od temperature potrebne za ispravno čuvanje hrane.
- Za više prostora možete ukloniti policu za boce, pladanj za jaja, pladanj za led i ladicu pretvorivog odjeljka za svježinu.
- Hrana se može smrznuti ili pokvariti ako je pohranjena na pogrešnoj temperaturi. Namjestite pravilnu temperaturu zamrzivača prema hranukouju ćete pohraniti.

## Maksimalan kapacitet zamrzavanja

- Funkcijom Express Freeze hladnjak će se postaviti na maksimalan kapacitet zamrzavanja. To obično traje do 24 sata i automatski će se isključiti.
- Ako se upotrebljava maksimalan kapacitet zamrzavanja, funkcija Express Freeze mora se uključiti sedam sati prije stavljanja svježih namirnica u zamrzivač.

## Zamrzavanje maksimalne količine hrane

- Za bolje kruženje zraka umetnite sve ladice.
- Ako trebate pohraniti veliku količinu hrane, izvadite sve ladice iz uređaja i naslažite hranu izravno na policu (ili police) u zamrzivaču.

## NAPOMENA

- Kako biste uklonili ladice, prvo uklonite hranu iz njih, a zatim ih oprezno izvucite. Ako to ne napravite pažljivo, može doći do ozljeda ili oštećenja ladica.

- Oblik svake ladice može biti drugačiji, umetnite ih u ispravan položaj.

## Postavljanje temperature

Ovim se postavlja temperatura u hladnjaku ili temperatura u zamrzivaču.

- Pritisnite tipku **Fridge** ili **Freezer** za podešavanje temperature.
- Temperatura se može podesiti.
  - Hladnjak: od 1 °C do 7 °C
  - Zamrzivač: od -15 °C do -23 °C
- Početna temperatura je podešena.
  - Hladnjak : 3 °C – Zamrzivač: -18 °C

Stvarna unutrašnja temperatura razlikuje se ovisno o stanju hrane, s obzirom na to da je navedena postavka temperature ciljna temperatura, a ne stvarna temperatura u uređaju.

## NAPOMENA

- Zadana postavka temperature može varirati ovisno o uređaju.
- Za optimalno čuvanje hrane za svaki se odjeljak preporučuje povećanje ili smanjenje temperature za 1 °C ili jednu razinu od zadane vrijednosti temperature za svaki odjeljak.
- Pričekajte dok ne prođu 2 ili 3 sata nakon povezivanja uređaja s napajanjem prije stavljanja hrane u uređaj.
- Za stvaranje leda u uobičajenim klimatskim uvjetima temperatura zamrzivača trebala bi se postaviti na -18 °C ili hladnije.

## Alarm za visoku temperaturu

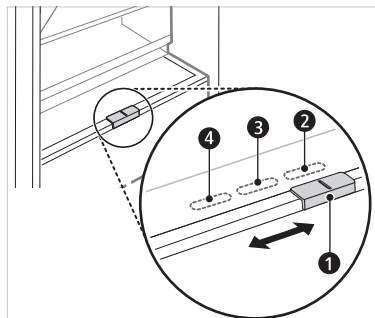
Kada temperatura zamrzivača postane previsoka zbog prestanka opskrbe električnom energijom, LED žaruljica temperature zamrzivača počeo će treperiti i oglasiti će se alarm.

- Pritisnite tipku **Freezer** da biste ga zaustavili.
- Ako je temperatura dovoljno niska, treperenje i alarm automatski će se zaustaviti.
- Ova funkcija radi:
  - kada je hladnjak uključen
  - kada se zamrzivač previše zagrije
  - kada dođe do prestanka opskrbe električnom energijom tijekom dužeg vremenskog razdoblja
  - kada se u zamrzivač stave velike količine tople hrane
  - kada se vrata zamrzivača predugo ili prečesto ostavljaju otvorena.

## Pretvorivi odjeljak za svježinu ( \* )

Ovaj je odjeljak hladan i temperaturom u njemu može se upravljati guranjem poluge **1** koja se nalazi ispred odjeljka u oba smjera.

Ako u njega spremate povrće nakon postavljanja opcije za meso ili ribu, može doći do ozljede zbog hladnoće.



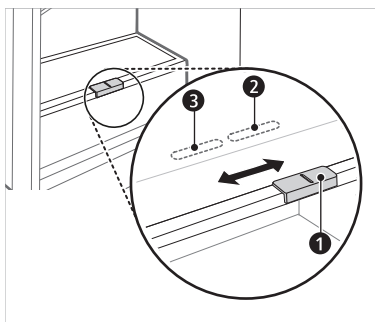
- **2** za pohranu povrća. (Preporučeno)
- **3** za pohranu ribe.
- **4** za pohranu mesa.

## NAPOMENA

- ( \* ) : Ova se značajka razlikuje ovisno o kupljenom modelu.

## Ladica za svježe povrće ( \* )

U odjeljku za povrće možete podesiti vlažnost pomicanjem ručice **1**.



- **2** za pohranu povrća. (Preporučeno)
- **3** za spremanje voća.

## NAPOMENA

- ( \* ) : Ova se značajka razlikuje ovisno o kupljenom modelu.

## Odjeljci za pohranjivanje hrane

### Pohranjivanje hrane u odjeljku hladnjaka

- **Polica hladnjaka**

- Ovdje se čuvaju ohlađene namirnice i drugi proizvodi.
- Visina police može se podesiti umetanjem police u drugi utor različite visine.
- Namirnice s većim udjelom vode čuvajte u prednjem dijelu police.
- Stvarni broj policia razlikuje se od modela do modela.

- **Polica za boce (\*)**

- Ovdje se čuvaju visoke boce ili spremnici za piće.

- **Sklopiva polica (\*)**

- Ovdje se čuvaju ohlađene namirnice i visoki proizvodi.

- **Ladica za svježe povrće (\*)**

- Ovdje se čuva voće i povrće radi održavanja svježine s pomoću podesivog upravljača vlažnosti.
- Izgled ili komponente uređaja mogu se razlikovati od modela do modela.

- **Pretvorivi odjeljak za svježinu (\*)**

- Ovaj je odjeljak hladan i u njemu se čuvaju meso, riba i povrće. Svježina se održava s pomoću podesivog upravljača vlažnosti koji se nalazi na stražnjoj strani odjeljka.
- Za više prostora možete upotrebljavati hladni odjeljak bez ladice.

- **Pomični pladanj za jaja**

- Ovdje se čuvaju jaja.
- Možete pomicati pladanj i upotrebljavati ga na mjestu na kojem vam odgovara. Međutim, nemojte ga upotrebljavati kao posudu za led i nemojte ga postavljati na policu na vrhu hladnjaka ili policu za povrće.

- **Košara vrata hladnjaka**

- Ovdje se čuvaju mala pakiranja ohlađene hrane, napitaka i spremnika s umacima.

- **Spremnik dispnzera vode (\*)**

- Ovdje se čuva voda za opskrbu dispnzera ili automatskog ledomata. Spremnik je potrebno ručno napuniti. (samo za modele bez cijevi)

### Pohranjivanje hrane u odjeljku zamrzivača

- **Pladanj za led**

- Ovdje se proizvodi i čuva led.
- Za više prostora možete ukloniti pladanj za led ili kanticu za kockice leda.

- **Ladica zamrzivača**

- Namijenjena je dugotrajnom spremanju smrznutih namirnica.
- Za brzo zamrzavanje čuvajte hranu na lijevoj strani gornje ladice. Namirnice će se najbrže zamrznuti u ovoj ladici.

### NAPOMENA

- (\*) : Ova se značajka razlikuje ovisno o kupljenom modelu.
- Za više informacija o drugim odjeljcima posjetite lg.com i preuzmite korisničke priručnike.



## Upravljačka ploča

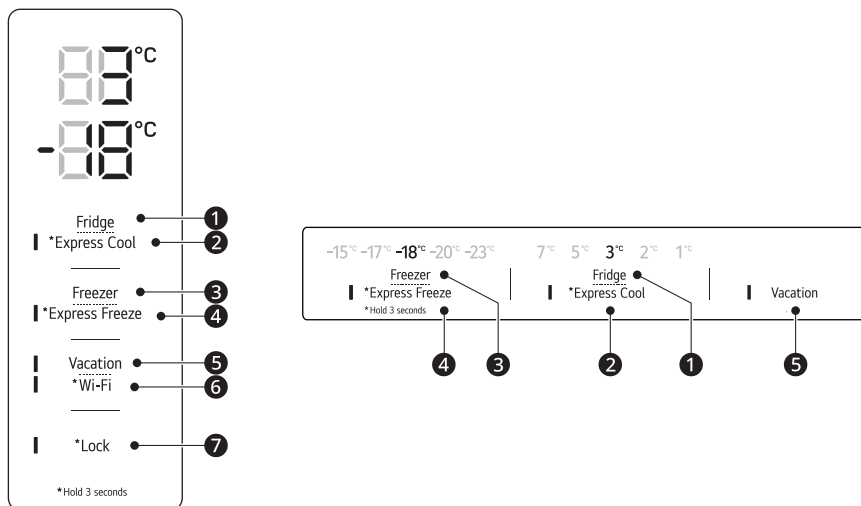
Stvarna upravljačka ploča može se razlikovati od modela do modela.

### Upravljačka ploča i funkcije

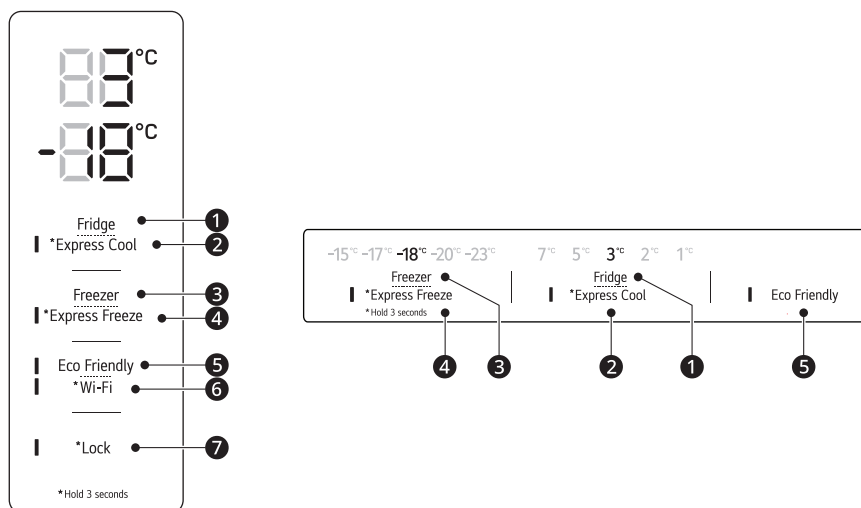
\*1 Ova je značajka raspoloživa samo na nekim modelima.

Upravljačka se ploča nalazi ili na vratima hladnjaka ili unutar hladnjaka, ovisno o modelu.

#### Vrsta A



#### Vrsta B



**1 Fridge**

Uzastopno pritisnite ovu tipku da biste odabrali željenu temperaturu između 1 °C i 7 °C.

- Zadana je temperatura hladnjaka 3 °C.

**2 Express Cool**

Uz pomoć ove funkcije mogu se brzo zamrznuti veće količine hrane kao što su povrće, voće itd.

- Funkcija se uključuje i isključuje svaki put kada pritisnete tipku na 3 sekunde.

**3 Freezer**

Uzastopno pritisnite ovu tipku da biste odabrali željenu temperaturu između -15 °C i -23 °C.

- Zadana je temperatura zamrzivača -18 °C.

**4 Express Freeze**

Uz pomoć ove funkcije mogu se brzo zamrznuti veće količine leda ili smrznutih namirnica.

- Pritisnite gumb **Express Freeze** za aktiviranje funkcije tijekom 24 sata. Funkcija se automatski isključuje nakon 24 sata.
- Funkcija se uključuje i isključuje svaki put kada pritisnete tipku na 3 sekunde.
- Kada je ovaj funkcija uključena, može se stvarati i buka i potrošnja energije može porasti.

**5 Vacation**

Funkcija je korisna kada ste na odmoru jer smanjuje potrošnju energije. Kada je ova funkcija uključena, temperatura hladnjaka je 7 °C, a temperatura zamrzivača je -15 °C. Kada je ova funkcija isključena, temperatura hladnjaka i zamrzivača vraća se na prethodne postavke temperature.

- Funkcija se uključuje i isključuje svaki put kada pritisnete tipku.
- Kada je ova funkcija uključena, neće raditi nijedna tipka osim tipki **Lock** i **Wi-Fi**.
- Funkcija **Eco Friendly** preimenovana je u **Vacation**.

**⚠ OPREZ**

- Kada je funkcija uključena pazite na pohranu hrane koja zahtijeva niže temperature od zadano postavljene temperature.
- Nakon što se vratite kući sjetite se isključiti ovu funkciju kako biste otključali druge tipke i vratili hladnjak na prethodne postavke temperature.

**6 Wi-Fi\*1**

Ovom se tipkom omogućava povezivanje uređaja na kućnu Wi-Fi mrežu. Informacije o početnom postavljanju aplikacije **LG ThinQ** potražite u funkcijama **SMART FUNCTIONS**.

**7 Lock\*1**

Ovime se zaključavaju tipke na upravljačkoj ploči.

- Da biste zaključali tipke na upravljačkoj ploči, pritisnite i držite tipku **Lock** 3 sekunde dok se funkcija ne aktivira.
- Da biste isključili ovu funkciju, pritisnite i držite tipku **Lock** 3 sekunde dok se funkcija ne deaktivira.

**NAPOMENA**

- Za optimalno čuvanje hrane za svaki se odjeljak preporučuje povećanje ili smanjenje temperature za 1 °C ili jednu razinu od zadane vrijednosti temperature za svaki odjeljak.
- Prikazana temperatura je željena temperatura, a ne stvarna temperatura unutar uređaja.
- Stvarna temperatura unutar uređaja ovisi o sljedećim čimbenicima: temperatura prostorije u kojoj se uređaj nalazi, količina hrane u uređaju i učestalost otvaranja vrata uređaja. Temperature postavite uzimajući te čimbenike u obzir.
- Upravljačka ploča automatski će se isključiti radi uštede energije.
- Ako prstom ili kožom dodirnete upravljačku ploču tijekom čišćenja, može se pokrenuti funkcija aktivirane tipke.

## Aplikacija ThinQ tvrtke LG

Ova značajka dostupna je samo na modelima koji imaju funkciju Wi-Fi.

Aplikacija **ThinQ** tvrtke LG omogućava vam komuniciranje s uređajem putem pametnog telefona.

## Značajke aplikacije LG ThinQ

Komunicirajte s uređajem pomoću pametnog telefona koristeći praktične pametne značajke.

### Smart Diagnosis

- Ako nađete na problem tijekom upotrebe uređaja, ova značajka pametne dijagnoze pomoći će vam u dijagnozi problema.

### Postavke

- Omogućuju vam da postavite različite opcije na uređaju i u aplikaciji.

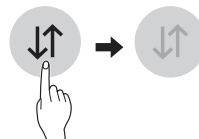
### NAPOMENA

- Ako promijenite bežični usmjerivač, davatelja internetskih usluga ili lozinku, izbrisajte registrirani uređaj iz aplikacije **LG ThinQ** i ponovno ga registrirajte.
- Aplikacija je podložna promjenama u svrhu poboljšanja uređaja bez prethodne obavijesti korisnicima.
- Značajke mogu varirati ovisno o modelu.

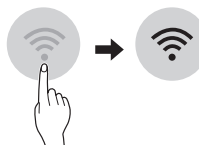
## Prije upotrebe aplikacije ThinQ tvrtke LG

- 1 Provjerite udaljenost između uređaja i bežičnog usmjerivača (Wi-Fi mreža).
  - Ako je udaljenost između uređaja i bežičnog usmjerivača prevelika, signal slabi. To može uzrokovati duže vrijeme registriranja ili onemogućiti instalaciju.


- 2 Isključite **Mobilne podatke** ili **Mobilni podatkovni promet** na pametnom telefonu.



- 3 Povežite svoj pametni telefon s bežičnim usmjerivačem.



### NAPOMENA

- Da biste provjerili Wi-Fi vezu, provjerite svijetli li ikona  na upravljačkoj ploči.
- Uređaj podržava samo Wi-Fi mreže od 2,4 GHz. Da biste provjerili mrežnu frekvenciju, obratite se davatelju internetskih usluga ili vidite priručnik za bežični usmjerivač.
- **LG ThinQ** nije odgovoran za bilo kakve probleme mrežne veze ili bilo kakve pogreške, kvarove ili greške uzrokovane mrežnom vezom.
- Ako uređaj ima problema pri povezivanju s Wi-Fi mrežom, možda je predaleko od usmjernika (router). Nabavite Wi-Fi repetitor (proširivač raspona) kako biste poboljšali jačinu Wi-Fi signala.
- Wi-Fi veza se možda neće uspostaviti ili može biti prekinuta zbog okoline kućne mreže.
- Mrežna veza možda neće ispravno raditi, ovisno o davatelju internetskih usluga.
- Okolno bežično okruženje može uzrokovati spori rad bežične mreže.
- Uređaj se ne može registrirati zbog problema s bežičnim prijenosom signala. Isključite uređaj i pričekajte oko minutu prije ponovnog pokušaja.
- Ako je na bežičnom usmjerivaču uključen vatrozid (firewall), onemogućite vatrozid ili dodajte izuzetak.
- Naziv bežične mreže (SSID) trebao bi biti kombinacija latiničnih slova i brojeva. (Nemojte koristiti posebne znakove)


- Korisničko sučelje (UI) pametnog telefona može varirati ovisno o mobilnom operativnom sustavu (OS) i proizvođaču.
- Ako je sigurnosni protokol usmjerivača podešen na **WEP** možda nećete moći postaviti mrežu. Promijenite ga na druge sigurnosne protokole (preporučuje se **WPA2**) i ponovno registrirajte proizvod.

## Instalacija aplikacije ThinQ tvrtke LG

Potražite aplikaciju **LG ThinQ** u trgovini Google Play & Apple App na pametnom telefonu.

- Pratite upute za preuzimanje i instaliranje aplikacije.

## Povezivanje s Wi-Fi mrežom

Kada se tipka **Wi-Fi** upotrebljava s aplikacijom **ThinQ** tvrtke LG, omogućuje da se uređaj spoji na kućnu Wi-Fi mrežu. Ikona  prikazuje status mrežne veze uređaja. Ikona svijetli kada je uređaj spojen na Wi-Fi mrežu.


### Početna registracija uređaja

- Pokrenite aplikaciju **LG ThinQ** i slijedite upute iz aplikacije za registraciju uređaja.

### Ponovno registriranje uređaja ili registriranje drugog korisnika

- Pritisnite i držite tipku **Wi-Fi** 3 sekunde da ga privremeno isključite. Pokrenite aplikaciju **LG ThinQ** i slijedite upute iz aplikacije za registraciju uređaja.

## NAPOMENA

- Da biste onemogućili Wi-Fi funkciju, pritisnite i držite tipku **Wi-Fi** 3 sekunde. Ikona  bit će isključena.

## Obavijest s informacijama o softveru s otvorenim izvornim kodom

Za dobivanje izvornog koda prema licencama GPL, LGPL, MPL i drugim licencama otvorenog koda koje imaju obvezu otkriti izvorni kod koji se nalazi u ovom proizvodu i za pristup svim navedenim uvjetima licenciranja, obavijestima o autorskim pravima i drugim relevantnim dokumentima posjetite <https://opensource.lge.com>.

LG Electronics vam nudi i mogućnost dostave izvornog koda na CD ROM-u uz određenu naknadu troškova za medij, dostavu i obradu narudžbe. Pišite nam na [opensource@lge.com](mailto:opensource@lge.com).

Ova je ponuda valjana za svakoga tko te podatke primi u razdoblju od tri godine nakon naše posljednje isporuke ovog proizvoda.

## Napomene za čišćenje

- Kada vadite policu ili ladicu iz uređaja, izvadite svu hranu s police ili iz ladice kako biste spriječili ozljedu ili oštećenje uređaja.
  - U suprotnome, može doći do ozljede zbog težine hrane.
- Ako čistite vanjske ventilacijske otvore uređaja usisivačem, trebate isključiti kabel za napajanje iz utičnice kako bi se izbjeglo statičko pražnjenje koje može oštetiti elektroniku ili uzrokovati strujni udar.
- Odspojite police i ladice te ih očistite vodom, zatim ih prikladno osušite prije nego što ih zamijenite.
- Redovito obrišite brtve na vratima vlažnom mekom krpom.
- Mrlje na košari vrata treba očistiti jer mogu ugroziti uvjete čuvanja u košari te čak uzrokovati kvar.
- Nakon čišćenja provjerite je li kabel za napajanje oštećen, zagrijan ili neispravno priključen.
- Ventilacijske otvore s vanjske strane uređaja održavajte čistim.
  - Blokirani ventilacijski otvori mogu uzrokovati požar ili oštećenje uređaja.
- Prilikom čišćenja unutrašnjosti ili vanjske površine uređaja, ne ribajte ga grubim četkama, pastom za zube ili zapaljivim materijalima. Ne koristite sredstva za čišćenje koja sadrže zapaljive tvari.
  - To može uzrokovati gubitak boje ili oštećenje uređaja.
  - Zapaljive tvari: alkohol (etanol, metanol, izopropil alkohol, izobutil alkohol, itd), razrjeđivači, izbjeljivači, benzen, zapaljive tekućine, abrazivi, itd.
- Za vanjski dio uređaja upotrijebite čistu spužvu ili meku krpu i blagi deterđent s toplom vodom. Nemojte upotrebljavati abrazivna ili koncentrirana sredstva za čišćenje. Temeljito osušite mekom krpom.
- Nikada nemojte prati police ili spremnike u perilici posuđa.
  - Dijelovi se mogu deformirati zbog topline.
- Redovito čistite površine koje mogu doći u dodir s hranom i pristupačne sustave odvodnje.
- Ako je uređaj opremljen LED žaruljicom, nemojte ukloniti pokrov žaruljice ni LED žaruljicu prilikom pokušaja popravka i servisiranja. Obratite se informacijskom centru za korisnike tvrtke LG Electronics.

## Zbrinjavanje starog uređaja



- Ovaj simbol prekrížene kante za smeće na kotačićima označava kako se otpadni električni i električni proizvodi (WEEE) moraju zbrinjavati odvojeno od komunalnog otpada.
- Dotrajali električni proizvodi mogu sadržavati opasne tvari stoga će ispravno zbrinjavanje vaših dotrajalih uređaja pomoći u sprječavanju potencijalnih negativnih posljedica na okoliš i ljudsko zdravlje. Vaš dotrajao uređaj može sadržavati dijelove koji se mogu ponovo iskoristiti za popravak drugih proizvoda te druge vrijedne materijale koji se mogu reciklirati i tako sačuvati ograničene resurse. Ovisno o razini smetnje / štete i dobi stavke, stari proizvodi mogu se popraviti za više radnog života koji će spriječiti izbjegli otpada. Proizvodi koji nisu prikladni za ponovnu uporabu može se reciklirati da se oporavim vrijedne resurse i pomoći da se smanji globalno potrošnju novih sirovina.
- Uređaj možete odnijeti u trgovinu u kojoj ste kupili proizvod ili možete kontaktirati ured za zbrinjavanje otpada kod vaših mjesnih nadležnih tijela te od njih saznati više informacija o najbližem ovlaštenom WEEE sabirnom centru. Za najnovije informacije iz vaše države molimo pogledajte internetske stranice [www.lg.com/global/recycling](http://www.lg.com/global/recycling)

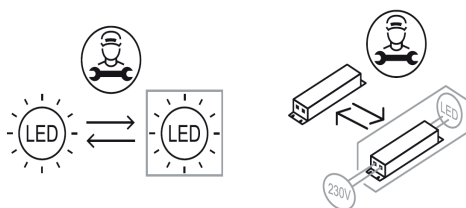
## Briga o kupcima i servis

Kontaktirajte LG Electronics informacijski centar za kupce.

- Da biste pronašli informacije o autoriziranom servisnom centru tvrtke LG, posjetite naše web-mjesto na adresi [www.lg.com](http://www.lg.com).
- Samo bi kvalificirano servisno osoblje iz autoriziranog servisnog centra tvrtke LG trebalo rastavljati, popravljati ili mijenjati uređaj.
- Minimalno jamstveno razdoblje za ovaj rashladni uređaj je 24 mjeseca.
- Za kupnju rezervnih dijelova obratite se informacijskom centru za korisnike tvrtke LG Electronics ili nam se obratite putem web-mjesta na adresi [www.lg.com](http://www.lg.com).
- Rezervni dijelovi navedeni u Uredbi EU-a 2019/2019 dostupni su 7 godina (samo su brtve vrata dostupne 10 godina).

## NAPOMENA

- Za više informacija o energetske učinkovitosti uređaja posjetite <https://ec.europa.eu> i pretražite stranicu prema nazivu modela (vrijedi od 1. ožujka 2021.).
- Uredba EU 2019/2019 vrijedi od 1. ožujka 2021. i odnosi se na razred energetske učinkovitosti prema Uredbi EU 2019/2016.
- Skenirajte QR kod na energetske naljepnici isporučenoj s uređajem, što će vam pružiti poveznicu na web-mjesto s podacima u vezi s učinkovitosti uređaja u EU EPREL bazi podataka. Zadržite energetske naljepnice kao referencu zajedno sa svim ostalim dokumentima isporučenima s uređajem (vrijedi od 1. ožujka 2021.).
- Klimatski razred naznačen je na tipskoj naljepnici uređaja.
- Ovaj proizvod sadrži svjetlosni izvor razreda energetske učinkovitosti G.





KÉZIKÖNYV

# HŰTŐ- ÉS FAGYASZTÓSZEKRÉNY

**Olvassa el ezt a kézikönyvet a készülék üzembe helyezése előtt, és tartsa kéznél mindig referenciaként.**

[www.lg.com](http://www.lg.com)

További részletekért, olvassa el az LG honlapján található használati útmutatót.  
Copyright © 2019-2023 LG Electronics Inc. Minden jog fenntartva

# TARTALOMJEGYZÉK

A jelen kézikönyvben szereplő képanyag, illetve tartalom eltérhet az Ön által vásárolt modelltől.

A kézikönyvet a gyártó bármikor átdolgozhatja.

<b>BIZTONSÁGI ELŐÍRÁSOK</b> .....	<b>3</b>
FONTOS BIZTONSÁGI ELŐÍRÁSOK .....	3
<b>ÜZEMBE HELYEZÉS</b> .....	<b>10</b>
Méretek és hézagok .....	10
Környezeti hőmérséklet .....	10
<b>ÜZEMELTETÉS</b> .....	<b>11</b>
Megjegyzések az üzemeltetéshez.....	11
Fresh Converter rekesz ( * ) .....	12
Friss zöldség fiók ( * ) .....	12
Vezérlőpanel .....	14
<b>INTELLIGENS FUNKCIÓK</b> .....	<b>16</b>
LG ThinQ Applikáció .....	16
<b>KARBANTARTÁS</b> .....	<b>18</b>
Megjegyzések a tisztításhoz.....	18
A régi készülék ártalmatlanítása .....	18
<b>HIBAE LHÁRÍTÁS</b> .....	<b>19</b>

## Az Útmutató További Adatai

Ez a felhasználói kézikönyv rövid változata.  
További tájékoztatásért, kérjük látogasson el az LG honlapjára a <http://www.lg.com> címen



## Hibaelhárítás






## BIZTONSÁGI ELŐÍRÁSOK

HU

A következő biztonsági irányelvek célja a termék nem biztonságos vagy helytelen használatából adódó váratlan veszélyek vagy sérülések megelőzése.

Az irányelvek „**FIGYELMEZTETÉS**” és „**VIGYÁZAT**” részekre oszlanak az alábbiakban leírtak szerint.

 Ez a szimbólum a veszély kockázatával járó esetek és műveletek jelölésére szolgál. Figyelmesen olvassa el a szimbólummal jelölt részt, és a kockázatok elkerülése érdekében kövesse az utasításokat.

### **FIGYELMEZTETÉS**

Ez jelzi, hogy az utasítások követésének elmulasztása súlyos sérülést vagy halált okozhat.

### **VIGYÁZAT**

Ez jelzi, hogy az utasítások követésének elmulasztása kisebb sérülést vagy a termék sérülését okozhatja.

## FONTOS BIZTONSÁGI ELŐÍRÁSOK

### **FIGYELMEZTETÉS**

A termék használata során a tűz, az áramütés vagy a személyi sérülés kockázatának csökkentése érdekében mindig tartsa be az alábbi alapvető biztonsági óvintézkedéseket.

#### **Gyermekek a háztartásban**

- A készüléket nem használhatják olyan személyek (a gyermekeket is beleértve), akik csökkent fizikai, érzékelési vagy mentális képességekkel rendelkeznek, illetve nem rendelkeznek megfelelő tapasztalattal és ismeretekkel, kivéve, ha a használat felügyelet alatt történik vagy a biztonságukért felelős személytől útmutatást kaptak a termék biztonságos használatára vonatkozóan. Ügyeljen arra, hogy gyermekek ne játszhassanak a készülékkel.
- Ha a készülék zárral van felszerelve (csak egyes modellek), tartsa távol a kulcsot a gyermekektől.

### **Európai felhasználás:**

- Ezt a készüléket 8 évesnél idősebb gyermekek és csökkent fizikai, érzékelési vagy mentális képességekkel, tapasztalattal és ismeretekkel nem rendelkező személyek is használhatják, ha a használat felügyelet alatt történik, vagy útmutatást kaptak a termék biztonságos használatára vonatkozóan és megértik a lehetséges veszélyeket. A gyermekek ne játsszanak a készülékkel. A takarítást vagy a karbantartást ne végezzék felügyelet nélküli gyermekek.
- 3 és 8 év kor közötti gyermekek megrakhatják és üríthetik a hűtőkészülékeket.

### **Üzembe helyezés**

- A készülék mozgatását lehetőség szerint legalább két személy, biztonságos módon végezze.
- Gondoskodjon arról, hogy a fali aljzat földelése megfelelő legyen, és hogy a tápkábel földelő tüskéje ne legyen sérült, illetve ne hiányozzon a hálózati csatlakozódugóból. A földeléssel kapcsolatos további információkért érdeklődjön az LG Electronics vevőszolgálatánál.
- A készülék földelésre szolgáló vezetőkábellel rendelkező tápkábellel és földelő hálózati csatlakozódugóval van felszerelve. A tápkábel hálózati csatlakozódugóját egy, a helyi törvényeknek és előírásoknak megfelelően telepített és földelt fali aljzatba kell csatlakoztatni.
- Ha a tápkábel sérült, vagy a fali aljzat meglazult, ne használja a tápkábelt, és vegye fel a kapcsolatot egy hivatalos LG szervizközponttal.
- Ne csatlakoztassa a készüléket olyan több aljzatos adapterhez, amely nem rendelkezik hálózati kábellel (szerelt).
- Ne módosítsa, illetve ne toldja meg a tápkábelt.
- A készüléket egy külön erre a célra elkülönített, biztosítókkal ellátott hálózati vezetékre kell csatlakoztatni.
- Ne használjon olyan több kimenetes csatlakozóaljzatot, amely nincs megfelelően földelve (hordozható). Ha megfelelően földelt, többcsatlakozós (hordozható) csatlakozót használ, használja a többcsatlakozós aljzatot az előírt vagy annál magasabb teljesítménnyel és csak a készülékhez használja a többcsatlakozós aljzatot.
- A készüléket olyan helyre állítsa, ahol a termék hálózati csatlakozódugójának kihúzása könnyen megoldható.
- Ügyeljen arra, hogy a hálózati csatlakozódugóját ne a vezetékkel felfelé dugja be, és a készülék ne dőljön a csatlakozónak.
- A készüléket kemény és egyenletes padlófelületen helyezze el.

- Ne telepítse a készüléket nedves, poros helyre. Ne telepítse, illetve tárolja a készüléket kültéren, illetve olyan helyen, ahol kedvezőtlen időjárási körülményeknek, például közvetlen napfénynek, szélnek, esőnek vagy fagypont alatti hőmérsékletnek lehet kitéve.
- Ne tegye ki a készüléket közvetlen napfénynek, vagy fűtő berendezések (tűzhelyek, hőszugárzók) hőhatásának.
- Ügyeljen arra, hogy telepítéskor ne hagyja szabadon a készülék hátulját.
- Ne engedje leesni a készülék ajtaját az össze- vagy szétszerelés közben.
- A készülék ajtajának össze- vagy szétszerelése során figyeljen arra, hogy ne csipődjön be vagy nyomódjon össze, illetve ne károsodjon a tápkábel.
- Ne csatlakoztasson csatlakozó adaptert vagy egyéb tartozékokat a hálózati csatlakozóhoz.

### **Üzemeltetés**

- A készüléket csak háztartási célú élelmiszertárolásra használja, egyéb célokra (pl. orvosi vagy kísérleti anyagok tárolására vagy szállítására) ne alkalmazza.
- Nagyobb mennydörgés vagy villámlás esetén, vagy ha hosszabb ideig nem használja a készüléket, húzza ki a hálózati csatlakozódugót.
- Ne érjen nedves kézzel a hálózati csatlakozódugóhoz és a készülék kezelőgombjaihoz.
- Ne hajlítsa meg túlzottan a tápkábelt, és ne helyezzen rá nehéz tárgyat.
- Ha a készülék elektromos alkatrészeibe víz kerül, húzza ki a hálózati csatlakozódugót, és lépjen kapcsolatba az LG Electronics vevőszolgálatával.
- Ne tegye a kezét vagy fémtárgyakat a hideg levegőt kibocsátó terület belsejébe, illetve ne takarja le a készülék hátulján található hőleadó rácst.
- Ne alkalmazzon túlzott erőt és ne ütögesse a készülék hátsó borítását.
- Ne tegyen élő állatot a termék belsejébe. Az állat megfulladhat.
- Vigyázzon a készülék közelében lévő gyerekekre, ha kinyitja vagy becsukja az ajtaját. Az ajtó megütheti a gyermekeit, és sérülést okozhat. Ne engedje, hogy bárki hintázzon az ajtókon vagy ránehezedjen azokra, mivel ez a berendezés felborulásához és súlyos sérüléshez vezethet.

- Ügyeljen rá, hogy gyermekek ne záródhassanak be véletlenül a készülékbe. A készülék belsejébe szorult gyermek megfulladhat.
- Ne helyezzen nehéz vagy törékeny tárgyakat, folyadékkal megtöltött edényeket, gyúlékony anyagokat vagy tárgyakat (pl. gyertyák, lámpák, stb.), vagy a fűtőberendezések (mint például a kályhák, melegítők, stb.) a készülékre.
- Ha gázszivárgást (izobután, propán, földgáz, stb.) észlel, ne érintse meg a készüléket, illetve a hálózati csatlakozódugót, és azonnal szellőztesse ki a helyiséget. Ez a készülék hűtőközeget (izobután, R600a) használ. Bár kevés mennyiségű gázt használ, attól még a gáz gyúlékony. A készülék szállítása, üzembe helyezése vagy működése közben fellépő gázszivárgás esetén esetlegesen előforduló szikrák tüzet, robbanást vagy sérülést okozhatnak.
- Ne használjon vagy tároljon tűzveszélyes vagy gyúlékony anyagokat (étert, benzolt, alkoholt, kemikáliákat, LPG-t, gyúlékony spray-t, rovarölőt, léghfrissítőt, kozmetikumokat, stb.) a készülék közelében.
- Azonnal húzza ki a hálózati csatlakozódugót, és vegye fel a kapcsolatot az LG Electronics vevőszolgálatával, ha a készülék furcsa zajt, szagot vagy füstöt bocsát ki.
- A készülék vízrendszerében kizárólag csak ivóvizet szabad használni.
- Ügyeljen arra, hogy ne károsítsa a hűtőkört.
- Ne tegyen más elektromos berendezést (például hőszugárzót vagy mobiltelefont) a készülék belsejébe.

## **Karbantartás**

- A készülék tisztításakor vagy belső lámpájának cseréjekor (ha be van szerelve) húzza ki a tápkábelt a konnektorból még a művelet megkezdése előtt.
- A hálózati csatlakozódugót biztonságosan, valamint teljesen szárazra törölve és portalanítva dugja be a fali aljzatba.
- A tápkábelt ne a vezetéknél fogva húzza ki a konnektorból. Fogja meg erősen a hálózati csatlakozódugót, majd egy határozott, egyenes mozdulattal húzza ki azt a fali aljzataból.
- Ne porlasszon vizet vagy gyúlékony anyagokat (fogkrém, alkohol, hígító, benzin, gyúlékony folyadék, csiszoló, stb.) a készülék külsejére vagy belsejére tisztítás céljából.
- Ne tisztítsa a készüléket durva vagy fémből készült kefével, durva ruhával vagy szivaccsal.

- Kizárólag az LG Electronics szervizközpont megfelelően képezett szerelője szedje szét, javítsa vagy módosítsa a készüléket. Ha a készüléket új helyre szeretné szállítani és ott üzembe helyezni, vegye fel a kapcsolatot az LG Electronics vevőszolgálatával.
- Ne használjon hajszáritót a készülék belsejének szárításához, és ne tegyen belülré gyertyát, hogy megszüntesse a szagokat.
- Ne használjon mechanikus eszközöket vagy a kiolvasztási folyamatot felgyorsító egyéb módszereket.

### **Leselejtezés**

- A készülék selejtezésekor távolítsa el az ajtó tömítőgumiját, viszont hagyja a helyükön a polcokat és tároló rekeszeket, illetve ügyeljen rá, hogy gyermekek ne kerüljenek a készülék közelébe.
- A csomagolóanyagokat (például műanyag zacskókat vagy hungarocell elemeket) tartsa gyermekektől távol. A csomagolóanyagok fulladást okozhatnak.

### **Műszaki biztonsági előírások**

- Ügyeljen arra, hogy a készülék ráccsal védett vagy beépített szellőző nyílásai ne duguljanak el.
- Ne használjon elektromos készülékeket a hűtőszekrényben.
- A készülékben használt hűtőközeg és szigetelő gáz különleges leselejteztést igényel. Konzultáljon a szerviz dolgozóval vagy hasonlóan képzett személlyel, mielőtt ártalmatlanítja.
- A csövekből kijutó hűtőközeg begyulladhat vagy robbanást okozhat.
- A saját készülékében a hűtőanyag mennyisége a készülék belsejében lévő azonosító táblán látható.
- Soha ne indítson be olyan készüléket, amely sérülés jeleit mutatja. Ilyen esetben konzultáljon a forgalmazóval.
- A készüléket kizárólag háztartási, illetve háztartási típusú felhasználásra tervezték. Ne használja kereskedelmi vagy vendéglátóipari célokra, illetve olyan mobil környezetben, mint például lakókocsiban vagy hajón.
- Ne tároljon robbanékony anyagokat a készülékében, mint például gyúlékony hajtóanyagú aeroszolos palackokat.
- A hűtőszekrény nem alkalmazható beépített készülékként.

## Tűz és gyúlékony anyagok veszélye



Ez a szimbólum olyan tűzveszélyes anyagokra figyelmeztet, melyek meggyulladhatnak és tüzet okozhatnak, ha nem jár el óvatosan.

- Ne nyissa ki a készülék belső ajtaját, ha a külső ajtó nyitva és ne nyissa ki a külső ajtót önállóan, ha a belső ajtó nyitva van. Beszorulhat a két ajtó és károsodhatnak egymástól.
- Ha a szivárgást észlel, kerülje a nyílt lángot vagy a potenciális gyújtóforrásokat, és szellőztesse néhány percre azt a helyiséget, ahol a készülék található. Hogy elkerülje a gyúlékony gáz levegő keverék kialakulását a hűtőkör szivárgása esetén, a helyiség nagyságba, amelyben a készüléket használja, legyen összhangban a használt hűtőközeg mennyiségével. A készülékben található R600a hűtőanyag minden 8 g-jára 1 m<sup>2</sup> terület jusson.
- A készülék elhelyezésekor biztosítsa, hogy a tápkábel ne szoruljon be és ne legyen sérült.
- Ne helyezzen hordozható elosztókábeleket vagy hordozható tápegységeket a készülék mögé.

## VIGYÁZAT

**A termék használatából eredő kisebb személyi sérülés, működési hiba, valamint a gépben vagy egyéb vagyontárgyakban történő károkozás kockázatának csökkentése érdekében az alábbi alapvető óvintézkedéseket kell betartani:**

### Üzembe helyezés

- Szállításkor ne döntse meg a készüléket toláshoz vagy húzáshoz.
- Vigyázzon arra, hogy ne csípjé be kezét, lábát vagy egyéb testrészét amikor elmozdítja a készüléket.

## Üzemeltetés

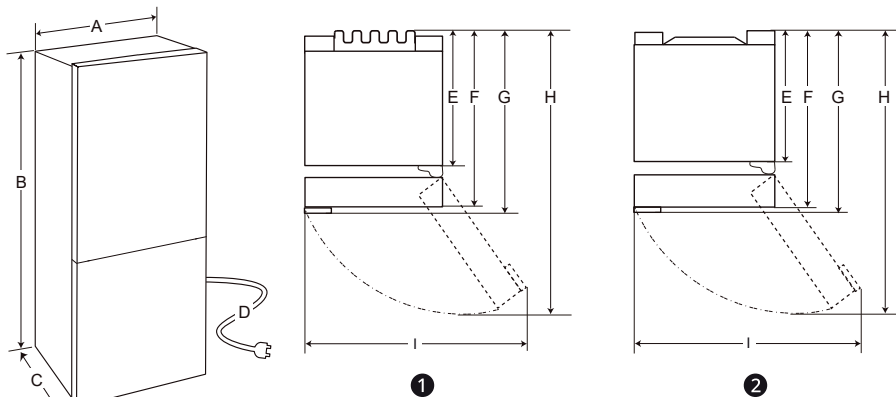
- Nedves kézzel ne nyúljon a fagyasztott élelmiszerekhez vagy a fagyasztó rekesz fém alkatrészeihez. Fagyási sérülést okozhat.
- Ne tegyen üvegedényt, palackot vagy konzervdobozt (különösen a szénsavas italt tartalmazó italokat) a fagyasztó rekeszébe, polcaira vagy a jégtartályba, amelyek fagypont alatti hőmérsékletnek vannak kitéve.
- Ütés hatására az ajtó elülső oldalán vagy a polcokon lévő edzett üvegek megsérülhetnek. Ha eltörik, ne érintse meg kézzel.
- Ne függeszkedjen rá vagy másszon fel a készülék ajtajára, tároló terére vagy polcaira.
- Ne tároljon az ajtó tároló rekeszeiben túl sok vizesüveget, vagy köretek tárolására használt tárolóedényt.
- Akadályozza meg, hogy állatok a hálózati kábelt vagy a víztömlőt megrághassák.
- Ne használjon túl nagy erőt a készülék ajtajának kinyitásához, illetve becsukásához.
- Ha a készülék ajtajának zsanérjai megsérülnek vagy nem megfelelően működnek, ne használja tovább a terméket, és vegye fel a kapcsolatot az LG Electronics szervizközpontjával.
- Ne tisztítsa az üvegpalcokat vagy fedeleket meleg vízzel amikor ezek még hidegek.
- Fagyasztott élelmiszereket soha ne fogyasszon közvetlenül azután, hogy kivette azokat a fagyasztóból.
- Vigyázzon arra, hogy nem szorul be egy keze vagy lába amikor kinyitja vagy becsukja a készülék ajtaját.

## Karbantartás

- Ne helyezze be a polcokat fejjel lefelé. A polcok leeshetnek.
- A készülékben felhalmozódott jég eltávolításával kapcsolatos további információért vegye fel a kapcsolatot az LG Electronics vevőszolgálatával.

## Méretetek és hézagok

A szomszédos elemektől való túl kicsi távolság a fagyasztási képesség romlásához és a megnövekedett villamosenergia-költségekhez vezethet. Hagyjon 50 mm hézagot minden szomszédos falnál a készülék telepítésekor.



	1		2	
	Méret [mm]			
	Zseb fogantyú	Rúd fogantyú	Zseb fogantyú	Rúd fogantyú
A	595	595	595	595
B	1 860 / 2 030	1 860 / 2 030	1 860 / 2 030	1 860 / 2 030
C	682	718	675	712
D	2 100	2 100	2 100	2 100
E	616	616	610	610
F	682	682	675	675
G	-	718	-	712
H	1 230	1 237	1 225	1 232
I	995	995	995	995

### MEGJEGYZÉS

- A fenti táblázatban található mérési értékek hozzávetőleges adatok.

## Környezeti hőmérséklet

- A készüléket az éghajlati zónától függően a környezeti hőmérséklet korlátozott tartományában lehet üzemeltetni.
- A belső hőmérsékletet befolyásolhatja a készülék elhelyezése, a környezeti hőmérséklet, az ajtónyitás gyakorisága és így tovább.
- A klímaosztály megtalálható a minősítési címkén.

Klímaosztály	Környezeti hőmérséklet-tartomány °C
SN (Kiterjedten Mérsékelt)	+10 - +32
N (Mérsékelt)	+16 - +32
ST (Szubtrópusi)	+16 - +38
T (Trópusi)	+16 - +43 / +10 - +43*

\*Ausztrália, India, Kenya

### MEGJEGYZÉS

Az SN és T közötti besorolású készülékek rendeltetése környezeti hőmérsékleten való használat 10°C és 43°C között.



## Megjegyzések az üzemeltetéshez

- A készülék használói vegyék figyelembe, hogy az ajtó nyitva maradása jégképződést okozhat, ha nyáron magas a páratartalom vagy ha gyakran nyitják ki a fagyasztó ajtaját.
- Ügyeljen rá, hogy a polcokon és az ajtó kosarában tárolt élelmiszerek között elegendő hely maradjon, hogy az ajtó teljesen be tudjon záródni.
- Az ajtó megnyitása hosszabb időre jelentősen növelheti a készülék rekeszeinek hőmérsékletét.
- Ha a hűtőkészüléket hosszabb időre üresen hagyja, kapcsolja ki, olvassza le, tisztítsa meg, szárítsa ki és hagyja nyitva az ajtaját, hogy elkerülje a készüléken belül a penészképződést.

## Energiatakarékossági javaslatok

- Ügyeljen rá, hogy elegendő hely legyen a tárolt élelmiszerek között. Így biztosítható a hideg levegő egyenletes keringése, és az elektromos áram fogyasztás is alacsonyabb lesz.
- Meleg ételt csak lehűtés után helyezzen a készülékbe, hogy megelőzze a harmatképződést és jegesedést.
- Ha élelmiszert helyez a fagyasztóba, állítsa a fagyasztó hőmérsékletét alacsonyabbra, mint ami az élelmiszeren található.
- Ne tegyen élelmiszert a hűtőszekrény hőmérséklet érzékelőjéhez közel. Tartson legalább 3 cm távolságot az érzékelőtől.
- Vegye figyelembe, hogy leolvasztás után a hőmérséklet emelkedhet a készülék specifikációiban megadott tartományon belül. Ha minimálisra szeretné csökkenteni egy ilyen hőmérsékletemelkedés hatását a tárolt élelmiszerekre, helyezze el az élelmiszereket zárt vagy több rétegű csomagolásban.
- A készülék automatikus leolvasztó rendszere biztosítja, hogy normál üzemi körülmények között a rekesz mentes a jég felhalmozódásától.
- A leghatékonyabb energiafelhasználás érdekében tartsa az összes belső alkatrészt (pl. az ajtórekeszeket, a fiókokat és a polcokat) az eredeti helyén.
- Ne állítsa be a készülék hőmérsékletét a szükségesnél alacsonyabbra.

## Élelmiszerek hatékony tárolása

- A fagyasztott és hűtött élelmiszereket lezárt tartályokban tárolja.
- Ellenőrizze a lejárat dátumot és a címkét (tárolási előírások), mielőtt az élelmiszert a készülékbe helyezi.
- Ne tároljon hosszú ideig olyan élelmiszert, amely alacsony hőmérsékleten könnyen romlik.

- A megvásárolt hűtött vagy fagyasztott élelmiszereket azonnal helyezze a hűtőszekrénybe vagy a fagyasztóba. Ne fagyasszon vissza semmilyen teljesen felengedett élelmiszert. Ha teljesen felengedett élelmiszert fagyaszt vissza akkor csökken az élelmiszer tápértéke és rosszabb lesz az íze.
- Nyers húst és halat tároljon megfelelő edényekben a hűtőben, hogy ne kerüljenek kapcsolatba egyéb élelmiszerekkel, és ne csepegjenek rájuk.
- Ne tároljon zöldségeket újságpapírba csomagolva. Az újságpapír nyomtatásához használt anyagok vagy más idegen anyagok megszínezhetik és szennyezhetik az élelmiszereket.
- Ne töltsé túl a készüléket. A hideg levegő nem tud megfelelően keringeni, ha a készülék túl van töltve.
- Ha túlságosan alacsony hőmérsékletet állít be, az élelmiszerek megfagyhatnak. Ne állítson be az élelmiszer megfelelő tárolásához szükséges hőmérsékletnél alacsonyabb hőmérsékletet.
- Nagyobb hely érdekében eltávolíthatja a palacktartót, a tojástartót, a jégtálcát és a friss átalakító fiókot.
- A helytelen hőmérsékleten tárolt élelmiszerek megfagyhatnak vagy megromolhatnak. Állítsa be a hűtőszekrény hőmérsékletét a tárolt élelmiszernek megfelelően.

## Maximum fagyasztási kapacitás

- A gyorsfagyasztás funkció segítségével a fagyasztó maximális fagyasztási kapacitással fagyaszt. Ez általában 24 órát jelent, utána automatikusan kikapcsol.
- Ha a maximális fagyasztási kapacitást használja, akkor mielőtt friss termékeket helyez a fagyasztórekeszbe, hét órára kapcsolja be a gyorsfagyasztást.

## A maximális mennyiségű élelmiszer fagyasztása

- A levegő jobb áramlása érdekében helyezze be az összes fiókot.
- Ha nagy mennyiségű élelmiszert kíván tárolni, vegye ki az összes fiókot a készülékből, és az élelmiszert közvetlenül a mélyhűtő rekesz mélyhűtő polcán (vagy polcain) helyezze el.

## MEGJEGYZÉS

- A fiókok kivételéhez először vegye ki az élelmiszereket azokból, és óvatosan húzza ki a fiókokat. Ha nem így tesz, akkor a fiókok megsérülhetnek vagy károsodhatnak.
- A fiókok alakja különböző lehet, a megfelelő helyre tegye azokat.

## A hőmérsékletet beállítása

Itt szabályozható a hűtő vagy a fagyasztó hőmérséklete.

- Állítsa be a hőmérsékletet a **Fridge** gomb vagy a **Freezer** gomb megnyomásával.
- A hőmérséklet is állítható.
  - Hűtő: 1 °C és 7 °C között
  - Mélyhűtő: -15 °C és -23 °C között
- Az alapértelmezett hőmérsékletek már be vannak állítva.
  - Hűtő: 3 °C
  - Mélyhűtő: -18 °C

Az aktuális belső hőmérséklet az élelmiszer állapotától függően változik, mivel a jelzett beállított hőmérséklet a cél hőmérséklet, nem pedig a készüléken belüli aktuális hőmérséklet.

## MEGJEGYZÉS

- Az alapértelmezett hőmérséklet beállítása változhat a készülék típusának függvényében.
- Az élelmiszerek optimális tartósítása érdekében javasolt minden rekeszben 1 °C-kal vagy egy szinttel növelni vagy csökkenteni az alapértelmezett hőmérsékletet.
- A készülék bekötését követően várjon 2 vagy 3 órát, mielőtt élelmiszert helyezne bele.
- Normál klimatikus viszonyok között a jégkészítéshez a fagyasztó hőmérsékletét -18 °C-ra vagy ennél alacsonyabbra kell beállítani.

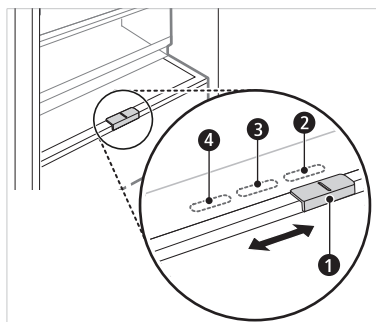
## Magas hőmérséklet riasztás

Ha áramszünet miatt a fagyasztó hőmérséklete túlságosan megemelkedik, akkor villogni kezd a fagyasztó LED lámpája és hangjelzés hallható.

- Ennek leállításához nyomja meg a **Freezer** gombot.
- Ha a hőmérséklet elég hideg, akkor a villogás és a hangjelzés automatikusan leállnak.
- Ez a funkció aktív:
  - Amikor a hűtőszekrény be van kapcsolva.
  - Amikor a fagyasztórekesz túlságosan felmelegszik.
  - Amikor az áramszünet túl hosszú ideig tart.
  - Amikor nagy mennyiségű meleg ételt helyeznek a fagyasztórekeszbe.
  - Amikor a fagyasztó ajtaját túl hosszú ideig, vagy túl gyakran hagyják nyitva.

## Fresh Converter rekesz ( \* )

A hűtörekeszként működő Fresh Converter rekesz hőmérséklete egy csúszó karral vezérelhető **1**, amely az első rekeszben található és mindkét irányban elcsúsztatható. Ha hús, vagy hal tárolása után zöldségeket tesz a rekeszbe, a hideg károsíthatja.



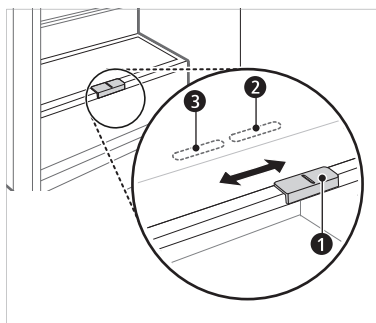
- **2** Zöldségek tárolásához. (Ajánlott)
- **3** Hal tárolásához.
- **4** Hús tárolásához.

## MEGJEGYZÉS

- ( \* ) : Ez azt jelenti, hogy ez a funkció a megvásárolt modelltől függ.

## Friss zöldség fiók ( \* )

A gomb mozgatásával beállítható a zöldségrekesz páratartalma **1**.



- **2** Zöldségek tárolásához. (Ajánlott)
- **3** Gyümölcsök tárolásához.

## MEGJEGYZÉS

- ( \* ) : Ez azt jelenti, hogy ez a funkció a megvásárolt modelltől függ.

## Élelmiszertároló rekeszek

### Élelmiszer tárolása a hűtőszekrényben

#### • Hűtő polc

- A hűtött élelmiszerek és más cikkek tárolására szolgáló polc.
- A polc magasságát a polcot egy eltérő magasságú horonyba helyezve lehet beállítani.
- A magasabb nedvességtartalmú élelmiszereket a polc elülső részén tárolja.
- A polcok tényleges száma modellenként eltérő.

#### • Palacktartó rács (\*)

- Itt tárolhatók a magas palackok és tárolóedények.

#### • Lehajtható polc (\*)

- A hűtött élelmiszerek és a magas cikkek tárolására szolgáló polc.

#### • Friss zöldség fiók (\*)

- Itt tárolhatók a zöldségek és a gyümölcsök, és a páraszabályozó beállításával megőrzik a frissességüket.
- A készülék megjelenése és alkatrészei a modelltől függően különbözőek lehetnek.

#### • Fresh Converter rekesz (\*)

- Ez egy hús, hal és zöldségek tárolására való hűtőrekesz. A hűtőrekesz hátsó részén lévő páratartalom szabályozó beállításával segít megőrizni a frissességet.
- Ha több helyre van szüksége, a hűtőterületet a hűtőrekesz fiókja nélkül is használhatja.

#### • Mozgatható tojástartó

- Itt tárolhatók a tojások.
- Áthelyezheti és igényének megfelelően a kívánt helyzetben használhatja. Viszont ne használja jégtárolóként, vagy ne helyezze a hűtőszekrény legfelső polcára, vagy a zöldségtároló rekeszbe.

#### • Fagyasztó ajtó kosár

- Kisebb csomag hűtött élelmiszerek, italok és szósos tartályok tárolására szolgáló kosár.

#### • Vízadagoló tartály (\*)

- Itt tárolható az adagolóhoz, vagy az automatikus jégkészítőhöz szükséges víz. Manuális feltöltést igényel (Csak vízvezeték rendszerhez nem csatlakoztatott modelleknél)

### Élelmiszer tárolása a fagyasztóban

#### • Jégtálca

- Itt lehet készíteni és tárolni a jéget.
- Ha több helyre van szüksége, kivetheti a jégtálcát, vagy a jégkockatartó vödröt.

#### • Fagyasztó fiókja

- Ez a fagyasztott termékek hosszú távú tárolására szolgál.
- Az élelmiszerek gyors lefagyasztásához tegye az élelmiszert a felső fiók bal oldalára. Az élelmiszerek a fiókban fagynak meg a leggyorsabban.

### MEGJEGYZÉS

- (\*) : Ez azt jelenti, hogy ez a funkció a megvásárolt modelltől függ.
- Az egyéb rekeszekről szóló további információkhoz látogasson el az lg.com oldalra, és töltsse le a használati kézikönyveket.

## Vezérlőpanel

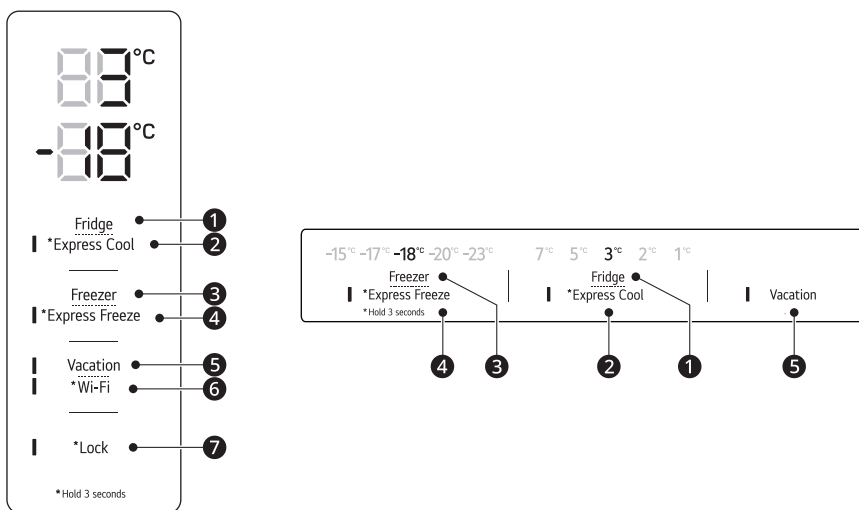
A tényleges ellenőrző panel modellenként különböző lehet.

### Vezérlőpanel és funkciók

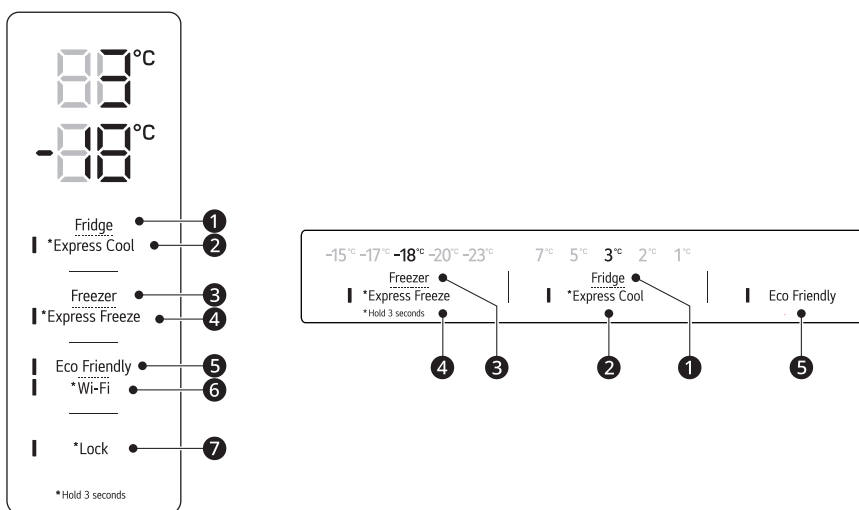
\*1 Ez a funkció csak bizonyos modelleknél áll rendelkezésre.

Az adott modelltől függően a vezérlőpanel a hűtőszekrény ajtaján vagy a hűtőszekrény belsejében található.

#### 'A' típus



#### 'B' típus



**1 Fridge**

Nyomja meg ismétlődően ezt a gombot, és válassza ki a kívánt hőmérsékletet 1 °C és 7 °C között.

- A hűtő alapbeállított hőmérséklete 3 °C.

**2 Express Cool**

Ez a funkció nagy mennyiségű élelmiszer, például zöldség, gyümölcs, stb. lehűtésére alkalmas.

- Ez a funkció minden egyes alkalommal be- és kikapcsol, ha 3 másodpercig lenyomva tartja a gombot.

**3 Freezer**

Nyomja meg ismétlődően ezt a gombot, és válassza ki a kívánt hőmérsékletet -15 °C és -23 °C között.

- A fagyasztó alapbeállított hőmérséklete -18 °C.

**4 Express Freeze**

Ez a funkció nagy mennyiségű jég vagy fagyasztott élelmiszer gyors fagyasztására szolgál.

- A funkció 24 órára történő aktiválásához nyomja meg az **Express Freeze** gombot. A funkció 24 óra elteltével automatikusan kikapcsol.
- Ez a funkció minden egyes alkalommal be- és kikapcsol, ha 3 másodpercig lenyomva tartja a gombot.
- Amikor ez a mód bekapcsol, zaj keletkezhet és megemelkedhet az energiafogyasztás.

**5 Vacation**

Ez a funkció akkor hasznos, ha Ön nyaralni megy. Amikor ez a funkció be van kapcsolva, a hűtőszekrény hőmérséklete 7°C, míg a fagyasztó hőmérséklete -15°C. Ha ez a funkció ki van kapcsolva, a hűtőszekrény és a fagyasztó hőmérséklete visszaáll az előző hőmérsékleti beállításra.

- Ez a funkció minden egyes alkalommal be- és kikapcsol, ha megnyomjuk a gombot.
- Ha ez a mód be van kapcsolva, csak a **Lock** és a **Wi-Fi** gombok üzemelnek, a többi gomb nem üzemel.
- Az **Eco Friendly** új neve **Vacation**.

**⚠ VIGYÁZAT**

- Ha a funkció be van kapcsolva, legyen óvatos az olyan élelmiszerek tárolásával kapcsolatban, melyek az alapértelmezettnél alacsonyabb hőmérsékletet igényelnek.
- Amikor hazatér, ne feledje kikapcsolni ezt a funkciót a többi gomb engedélyezéséhez, és állítsa vissza a hűtőszekrényt az azelőtti hőmérsékleti beállításokra.

**6 Wi-Fi\*1**

Ezzel a gombbal a készüléket az otthoni Wi-Fi hálózatra csatlakoztathatja. Az **LG ThinQ** alkalmazás kezdeti beállításához tekintse meg az **SMART FUNCTIONS** opciót.

**7 Lock\*1**

Ez lezárja a gombokat az ellenőrző panelen.

- A vezérlőpanel gombjainak zárolásához nyomja meg és tartsa lenyomva a **Lock** gombot 3 másodpercig, amíg a funkció be nem kapcsol.
- A funkció kikapcsolásához nyomja meg és tartsa lenyomva a **Lock** gombot 3 másodpercig, amíg a funkció ki nem kapcsol.

**MEGJEGYZÉS**

- Az élelmiszerek optimális tartósítása érdekében javasolt minden rekeszben 1 °C-kal vagy egy szinttel növelni vagy csökkenteni az alapértelmezett hőmérsékletet.
- A megjelenített hőmérséklet a célhőmérséklet, nem a készülékben lévő tényleges hőmérséklet.
- A készülék belsejében a tényleges hőmérséklet a következő tényezőktől függ: szobahőmérséklet, az étel mennyisége és az ajtók nyitási gyakorisága a készülék helyénél. Ezen tényezők figyelembevételével állítsa be a hőmérsékleteket.
- A kezelőpanel energiatakarékosági okokból automatikusan kikapcsol.
- Ha tisztítás közben az ujjával, vagy a bőrével bármilyen módon érinti a kezelőpanelt, az így előhívott funkció bekapcsolhat.

## LG ThinQ Applikáció

Ez a funkció csak a Wi-Fi-vel ellátott modellek esetén áll rendelkezésre.

Az **LG ThinQ** alkalmazás használatával Ön okostelefonján keresztül kommunikálhat a készülékkel.

## LG ThinQ Applikáció jellemzői

Kommunikálhat a készülékkel egy okostelefon és a kényelmes intelligens funkciók segítségével.

### Smart Diagnosis

- Ha problémát észlel a készülék használata közben, ez az okos diagnosztika funkció segít a probléma diagnosztizálásában.

### Beállítások

- Lehetővé teszi a különböző beállítások választását a készüléken és az applikációban.

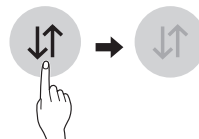
### MEGJEGYZÉS

- Ha lecseréli a vezeték nélküli útválasztóját, Internet szolgáltatót vált vagy jelszót cserél, a regisztrált készüléket törölje azt az **LG ThinQ** alkalmazásból és regisztrálja újból.
- Fenntartjuk a jogot, hogy a felhasználók felé irányuló minden előzetes értesítés nélkül, az applikációt módosítsuk a készülék jobbá tétele céljából.
- A tulajdonságok típusfüggők.

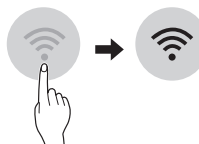
## LG ThinQ Applikáció használata előtt

- 1 Ellenőrizze a távolságot a készülék és a vezeték nélküli útválasztó között (Wi-Fi hálózat).
- Ha a távolság a készülék és a vezeték nélküli útválasztó között nagy, a jelerősség gyenge lesz. Hosszú ideig tarthat a regisztrálás vagy a telepítés sikertelen lehet.


- 2 Kérjük, kapcsolja ki a **Mobil adatokat** az okostelefonján.



- 3 Csatlakoztassa okos-telefonját a vezeték nélküli útválasztóhoz.



### MEGJEGYZÉS

- A Wi-Fi kapcsolat ellenőrzéséhez nézze meg, hogy világít-e az  ikon a kezelőpanelen.
- A készülék csak a 2,4 GHz-es Wi-Fi hálózatokat támogatja. Hálózati frekvenciája ellenőrzéséhez, forduljon az Internet szolgáltatóhoz, vagy olvassa el a vezeték nélküli útválasztó kézikönyvét.
- Az **LG ThinQ** nem vállal felelősséget semmilyen hálózati probléma vagy hiba, üzemzavar, vagy a hálózati kapcsolat gond esetén.
- Amennyiben a készülék nem tud kapcsolódni a Wi-Fi hálózathoz, akkor lehet, hogy túl messze van a jeladótól (router). A Wi-Fi jel erősségének növeléséhez, szerezzen be egy Wi-Fi erősítőt (hatótáv-növelőt).
- A Wi-Fi kapcsolat nem jön létre vagy megszakadhat az otthoni hálózati környezet miatt.
- Megtörténhet, hogy a hálózati kapcsolat nem működik megfelelően az internet szolgáltató miatt.
- A környező vezeték nélküli környezetben lehet, hogy a vezeték nélküli hálózati szolgáltatás lassú.
- A készüléket nem lehet regisztrálni a vezeték nélküli jelátvitellel felmerült problémák miatt, Áramtalanítsa a készüléket, és várjon körülbelül egy percet, mielőtt újra próbálkozna.
- Ha a tűzfal engedélyezett a vezeték nélküli útválasztón, kapcsolja ki a tűzfalat, vagy adjon meg egy kivételt.


- A vezeték nélküli hálózat neve (SSID) angol betűk és számok kombinációja kell legyen. (Ne használjon speciális karaktereket)
- Az okostelefon felhasználói felülete (UI) változhat a mobil operációs rendszere (OS) és a gyártó függvényében.
- Amennyiben a router biztonsági protokollja **WEP** értékre van beállítva, meghiúsulhat a kapcsolat létrehozása. Kérjük, válasszon másik biztonsági protokollt (ajánlott: **WPA2**) és regisztrálja ismét a terméket.

## Az LG ThinQ Applikáció telepítése

Keresse meg az **LG ThinQ** alkalmazást okostelefonján, a Google Play & Apple App áruházban.

- Kövesse az utasításokat az alkalmazás letöltéséhez és telepítéséhez.

## Csatlakozás Wi-Fi hálózathoz

A **Wi-Fi** gomb, amikor az **LG ThinQ** okos alkalmazását használják, lehetővé teszi, hogy a hűtő csatlakozzon az otthoni Wi-Fi hálózathoz. Az  ikon jelzi a hűtő csatlakozásának helyzetét a hálózathoz. Az ikon világít, amikor a hűtő csatlakozik a Wi-Fi hálózathoz.

### Kezdeti készülék-regisztráció

- Futtassa az **LG ThinQ** alkalmazást, és kövesse az alkalmazás utasításait a készülék regisztrációjához.

### A készülék regisztrációja vagy másik felhasználó regisztrálása

- Nyomja meg és tartsa lenyomva a **Wi-Fi** gombot 3 másodpercig az ideiglenes kikapcsoláshoz. Futtassa az **LG ThinQ** alkalmazást, és kövesse az alkalmazás utasításait a készülék regisztrációjához.

## MEGJEGYZÉS

- A Wi-Fi funkció letiltásához nyomja meg és tartsa lenyomva a **Wi-Fi** gombot 3 másodpercig. Az  ikon el fog tűnni.

## Információk a nyílt forráskódú szoftverrel kapcsolatban

A forráskód GPL, LGPL, MPL és egyéb, a termékben található forráskód közzétételére kötelező nyílt forráskódú licenc alatti beszerzéséhez, valamint az összes hivatkozott licencfeltétel, szerzői jogi közlemény és egyéb vonatkozó dokumentum megtekintéséhez látogasson el a következő oldalra: <https://opensource.lge.com>.

Az LG Electronics a vonatkozó költségeknek megfelelő összegért (az adathordozó, a szállítás és a kezelés költségei) CD-ROM-on is biztosítani tudja. Önnek a nyílt forráskódot, ha írásos kérelmet küld az [opensource@lge.com](mailto:opensource@lge.com) e-mail-címre.

Ez az ajánlat a termék utolsó szállítását követő három évig érvényes bárki számára, aki megkapja ezt az információt.

## Megjegyzések a tisztításhoz

- Ha kivessz egy polcot vagy fiókot a készülék belsejéből, vegyen ki minden ott tárolt élelmiszert a polcra vagy fiókba a sérülések és a berendezés károsodásának elkerülése érdekében.
  - Ellenkező esetben az ott tárolt élelmiszerek súlya miatt sérülések veszélye áll fenn.
- Miközben a készülék külső szellőzőnyílásait porszívóval tisztítja, húzza ki a tápkábelt a fali aljzatból az elektronikát károsító vagy esetlegesen áramütést okozó elektrosztatikus kisülések elkerülése érdekében.
- Vegye ki, és tisztítsa meg vízzel a polcokat és fiókokat, majd törölje szárazra az elemeket visszahelyezés előtt.
- Rendszeresen törölje át az ajtótomítéket puha, nedves ruhával.
- Az ajtókosárra kifolyt szennyeződések és foltok távolítsa el, mivel azok csökkenthetik a kosár tároló képességét, és akár kárt is tehetnek benne.
- Tisztítás után ellenőrizze, hogy a hálózati kábel nem sérült-e meg, nem melegszik-e, és megfelelően van-e csatlakoztatva.
- Tartsa tisztán a készülék külsején található szellőzőnyílásokat.
  - Az eltömődött szellőzőnyílások tűzveszélyesek, és a készülék meghibásodását okozhatják.
- Amikor tisztítja a készülék belsejét vagy külsejét, ne törölje le durva kefével, fogkrémmel, vagy gyúlékony anyagokkal. Ne használjon gyúlékony anyagokat tartalmazó tisztítószeret.
  - Ez a készülék színvesztését vagy károsodását okozhatja.
  - Gyúlékony anyagok, pl. alkoholok (etanol, metanol, izopropil-alkohol, izobutil-alkohol, stb.), hígító, fehérítő, benzol, gyúlékony folyadék, koptató, stb.
- A készülék külsejéhez használjon egy tiszta szivacsot vagy puha ruhát és meleg vízben feloldott kímélő tisztítószeret. Ne használjon súrolószereket vagy agresszív tisztítószereket. Törölje szárazra egy puha ruhával.
- Soha ne tisztítsa a polcokat vagy fiókokat mosogatógépben.
  - Az alkatrészek hő hatására deformálódhatnak.
- Tisztítsa meg rendszeresen azokat a felületeket, amelyek kapcsolatba kerülhetnek élelmiszerekkel és lefolyórészekkel.
- Ha a készülék fel van szerelve LED lámpával, ne távolítsa el a lámpa burkolatát és a LED lámpát javítás vagy szervizelés érdekében. További információért lépjen kapcsolatba az LG Electronics vevőszolgálatával.

## A régi készülék ártalmatlanítása



- A leselejtezett elektromos és elektronikai termékeket a háztartási hulladéktól elkülönítve kell begyűjteni, a jogszabályok által kijelölt módon és helyen.
- Régi készülékeinek megfelelő leselejtezése segíthet megelőzni az esetleges egészségre vagy környezetre ártalmas hatásokat.
- Ha további információra van szüksége régi készülékeinek leselejtezésével kapcsolatban, lépjen kapcsolatba velünk a [szelektalok.hu](http://szelektalok.hu) oldalon, ahol tájékoztatjuk Önt visszavételi, átvételi, gyűjtési és kezelési kötelezettségeinkről.



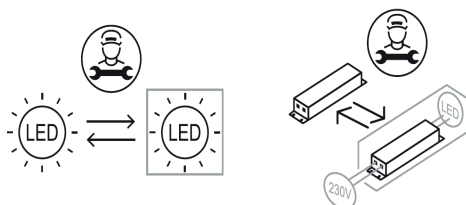
## Ügyfélszolgálat és szerviz

Vegye fel a kapcsolatot az LG Electronics ügyfélinformációs központjával.

- Ha információt szeretne kapni az LG hivatalos szervizközpontjáról, keresse fel weboldalunkat a [www.lg.com](http://www.lg.com) címen.
- A készülék szétszerelését, javítását vagy átalakítását kizárólag a hivatalos LG szervizközpont képzett szakemberei végezhetik.
- A hűtőkészülék minimális garanciális időszaka 24 hónap.
- Pótalkatrészek vásárlásához vegye fel a kapcsolatot az LG Electronics ügyfélinformációs központjával, vagy látogasson el a [www.lg.com](http://www.lg.com) weboldalra.
- Az EU 2019/2019 rendeletben hivatkozott pótalkatrészek 7 évig elérhetők (csak az ajtótomítések érhetők el 10 évig).

## MEGJEGYZÉS

- A készülék energiahatékonyására vonatkozó további tájékoztatásért látogasson el a <https://ec.europa.eu> weboldalra, és keressen a modellnévre (2021. március 1-jétől érvényes).
- A 2021. március 1-jétől érvényes EU 2019/2019 rendelet az EU 2019/2016 rendelettel kapcsolódik az energiahatékonyági osztályokhoz.
- Olvassa be a készülékhez mellékelt energiacímkén található QR-kódot, amely internetes linket biztosít a készülék teljesítményével kapcsolatos információkhoz az EU EPREL adatbázisban. Tartsa meg az energiacímkét és a készülékhez kapott összes többi dokumentumot referenciaként (2021. március 1-jétől érvényes).
- A modellnév megtalálható a készülék minősítési címkéjén.
- A termékben egy „G” energiahatékonyági osztályba sorolt fényforrás található.





MANUALE D'USO

# FRIGORIFERO E CONGELATORE

**Leggere interamente il manuale d'uso prima di utilizzare l'elettrodomestico e conservarlo a portata di mano per futuri riferimenti.**

[www.lg.com](http://www.lg.com)

Fare riferimento al manuale d'uso disponibile sul sito web LG per informazioni dettagliate.

Copyright © 2019-2023 LG Electronics Inc. All Rights Reserved

# INDICE

Questo manuale può contenere testo o immagini che non si riferiscono al modello acquistato.

Il presente manuale è soggetto a revisioni da parte del produttore.

<b>ISTRUZIONI PER LA SICUREZZA</b> .....	<b>3</b>
ISTRUZIONI IMPORTANTI SULLA SICUREZZA .....	3
<b>INSTALLAZIONE</b> .....	<b>10</b>
Dimensioni e distanze .....	10
Temperatura ambiente.....	10
<b>USO</b> .....	<b>11</b>
Note per l'uso.....	11
Convertitore fresco ( * ) .....	12
Cassetto per verdure fresche ( * ) .....	12
Pannello di controllo .....	14
<b>FUNZIONI SMART</b> .....	<b>16</b>
Applicazione LG ThinQ .....	16
<b>MANUTENZIONE</b> .....	<b>18</b>
Note per la pulizia .....	18
Smaltimento delle apparecchiature obsolete.....	18
<b>RISOLUZIONE DEI PROBLEMI</b> .....	<b>19</b>

## Informazioni Aggiuntive Sul Manuale

Questa è la versione breve del Manuale d'Uso.  
Per ulteriori informazioni è possibile visitare il sito  
web LG a <http://www.lg.com>



## Risoluzione dei problemi




## ISTRUZIONI PER LA SICUREZZA

IT

Le istruzioni seguenti sono fornite allo scopo di evitare rischi o danni imprevisti dovuti all'uso errato e non sicuro dell'elettrodomestico.

Le istruzioni sono riportate con le diciture “**AVVERTENZA**” e “**ATTENZIONE**”, come descritto di seguito.

 Questo simbolo indica operazioni o condizioni pericolose. Consultare con la massima attenzione il testo riportato assieme a questo simbolo e attenersi alle istruzioni per evitare rischi.

### **AVVERTENZA**

Indica che il mancato rispetto delle istruzioni può provocare lesioni personali gravi o fatali.

### **ATTENZIONE**

Indica che il mancato rispetto delle istruzioni può provocare lievi lesioni personali o danni all'elettrodomestico.

## ISTRUZIONI IMPORTANTI SULLA SICUREZZA

### **AVVERTENZA**

Per ridurre il rischio di esplosioni, incendi, scosse elettriche, ustioni o lesioni personali anche fatali, quando si utilizza l'elettrodomestico è indispensabile attenersi alle seguenti precauzioni basilari per la sicurezza. Tenere a mente inoltre quanto segue:

#### **Bambini nell'ambiente domestico**

- Questo elettrodomestico non è destinato all'utilizzo da parte di bambini, persone con capacità fisiche, sensoriali o mentali ridotte, e persone prive di esperienza e competenza, se non sotto sorveglianza a meno che non sia stato loro spiegato l'uso corretto dell'elettrodomestico, descrivendone i relativi pericoli. I bambini devono essere controllati per impedire che giochino con l'elettrodomestico.
- Se il dispositivo è dotato di una serratura (disponibile solo su alcuni modelli), tenere la chiave fuori dalla portata dei bambini.

### **Per l'utilizzo in Europa:**

- Questo elettrodomestico può essere adoperato da bambini di almeno 8 anni di età, da persone con capacità fisiche, sensoriali o mentali ridotte, e da persone prive di esperienza sotto sorveglianza, solo se è stato spiegato l'uso corretto dell'elettrodomestico e descrivendone i relativi pericoli. con l'elettrodomestico. La pulizia e la manutenzione non devono essere effettuate da bambini senza la supervisione degli adulti.
- I bambini dai 3 agli 8 anni possono riempire e svuotare gli apparecchi di refrigerazione.

### **Installazione**

- L'elettrodomestico deve essere sempre trasportato da due o più persone che lo tengono saldamente.
- Accertarsi che la presa elettrica sia correttamente messa a terra e che lo spinotto di terra del cavo di alimentazione non sia danneggiato o rimosso dalla spina di alimentazione. Per ulteriori dettagli sul collegamento a terra, rivolgersi a un Centro di assistenza clienti LG Electronics.
- Questo apparecchio è dotato di un cavo di alimentazione con conduttore di messa a terra e spina di messa a terra. La spina di alimentazione deve essere inserita in un'ideale presa elettrica installata e collegata a terra in conformità alle normative e ai regolamenti locali.
- Se il cavo di alimentazione è danneggiato o la presa elettrica è allentata, non utilizzare il cavo di alimentazione e contattare un centro di assistenza autorizzato.
- Non inserire la spina del dispositivo in un adattatore multi-spina che non disponga di un cavo di alimentazione (montato).
- Non modificare o prolungare il cavo di alimentazione.
- L'apparecchio deve essere collegato a una linea elettrica dedicata, protetta separatamente.
- Non utilizzare una multi-spina che non sia messa correttamente a massa (portatile). In caso si utilizzi una multi-spina messa a massa in maniera corretta (portatile), utilizzare la multi-spina con la potenza nominale dell'alimentazione attuale o superiore, e usare tale multi-spina unicamente per il presente dispositivo.
- Installare l'apparecchio in un luogo dove risulti agevole scollegare la spina di alimentazione.
- Fare attenzione a non puntare la spina di alimentazione verso l'alto ed evitare che l'apparecchio appoggi contro la spina di alimentazione.
- Installare l'apparecchio su un pavimento solido e piano.

- Non installare l'apparecchio in un luogo umido e polveroso. Non installare o conservare l'apparecchio in aree esterne o esposte a condizioni climatiche quali luce solare diretta, vento, pioggia o temperature inferiori allo zero.
- Non esporre l'elettrodomestico alla luce solare diretta o al calore generato da elementi riscaldanti, come stufe o termosifoni.
- Fare attenzione a non lasciare esposta la parte posteriore dell'apparecchio durante l'installazione.
- In fase di montaggio o smontaggio, fare attenzione a non lasciar cadere lo sportello dell'apparecchio.
- In fase di montaggio o smontaggio dello sportello dell'apparecchio, fare attenzione a non schiacciare o danneggiare il cavo di alimentazione.
- Non collegare un adattatore o altri accessori alla presa di alimentazione.

## Uso

- Non utilizzare l'apparecchio per scopi diversi dalla conservazione degli alimenti in ambienti domestici (es. per lo stoccaggio di materiale sanitario o sperimentale o per spedizione).
- Scollegare la spina di alimentazione durante un forte temporale o in caso di fulmini, oppure se l'apparecchio non viene utilizzato per un periodo di tempo prolungato.
- Non toccare la spina di alimentazione o i comandi dell'apparecchio con le mani bagnate.
- Non piegare eccessivamente il cavo di alimentazione e non collocare oggetti pesanti su di esso.
- Qualora penetrasse acqua nelle parti elettriche dell'apparecchio, scollegare la spina di alimentazione e contattare un Centro di assistenza clienti LG Electronics.
- Non inserire le mani né oggetti metallici all'interno della zona che emette aria fredda, nel coperchio o nella griglia di dissipazione del calore nella parte posteriore dell'apparecchio.
- Non esercitare una forza o un impatto eccessivi sul coperchio posteriore dell'apparecchio.
- Impedire agli animali domestici di entrare nell'elettrodomestico.
- Quando si apre o si chiude lo sportello dell'elettrodomestico, accertarsi che non vi siano bambini nelle vicinanze. Lo sportello potrebbe colpire un bambino provocandogli lesioni personali.

- Evitare che bambini rimangano intrappolati all'interno dell'apparecchio. Un bambino intrappolato all'interno dell'apparecchio potrebbe soffocare.
- Non posizionare sull'elettrodomestico oggetti pesanti o fragili, contenitori pieni di liquido, oggetti infiammabili (es. candele, lampade ecc.), o dispositivi per il riscaldamento (es. stufe, caloriferi, ecc.).
- In caso di perdite di gas (isobutano, propano, gas naturale ecc.), non toccare l'elettrodomestico né la spina e arieggiare immediatamente l'ambiente. Questo elettrodomestico utilizza un gas refrigerante (isobutano, R600a). Anche se la quantità di gas è limitata, si tratta comunque di un gas combustibile. Eventuali perdite di gas durante il trasporto, l'installazione o l'uso dell'elettrodomestico potrebbero provocare incendi, esplosioni o lesioni personali in caso di generazione di scintille.
- Non utilizzare né conservare sostanze infiammabili o combustibili (etere, benzene, alcol, sostanze chimiche, GPL, spray combustibili, insetticidi, deodoranti per l'ambiente, cosmetici, ecc.) in prossimità dell'apparecchio.
- Se si rilevano rumori o odori anomali o fumo provenienti dall'apparecchio, staccare immediatamente la spina di alimentazione e contattare un Centro di assistenza clienti LG Electronics.
- Riempire la macchina del ghiaccio o l'erogatore solo con acqua potabile.
- Non danneggiare il circuito refrigerante.
- Non collocare apparecchi elettronici (a esempio stufe o telefoni cellulari) all'interno dell'apparecchio.

### **Manutenzione**

- Scollegare il cavo di alimentazione prima di pulire l'apparecchio o di sostituire la lampada interna (se presente).
- Collegare saldamente la spina di alimentazione nella presa elettrica dopo aver eliminato completamente l'eventuale presenza di umidità e polvere.
- Non scollegare l'apparecchio tirando il cavo di alimentazione. Afferrare saldamente la spina di alimentazione ed estrarla dalla presa elettrica.
- Non spruzzare acqua o sostanze infiammabili (dentifricio, alcool, diluente, benzene, liquidi infiammabili, materiale abrasivo, ecc.) all'interno o all'esterno dell'elettrodomestico per pulirlo.

- Non pulire l'apparecchio con spazzole, stracci o spugne con superfici ruvide o di materiale metallico.
- Le operazioni di smontaggio, riparazione o modifica dell'apparecchio sono riservate esclusivamente al personale tecnico autorizzato da LG Electronics. Se l'apparecchio viene spostato e installato in un altro luogo, rivolgersi a un Centro di assistenza clienti LG Electronics.
- Non utilizzare un asciugacapelli per asciugare l'interno dell'apparecchio e non collocare una candela dentro all'apparecchio per eliminare gli odori.
- Per accelerare il processo di sbrinamento non adoperare mezzi meccanici o di altro tipo.

### **Smaltimento**

- Quando si smaltisce l'apparecchio, rimuovere la guarnizione dello sportello lasciando i ripiani e i cestelli al loro posto, e tenere i bambini lontani dall'apparecchio.
- Smaltire tutti i materiali di imballaggio (es. sacchetti di plastica e polistirolo) tenendo lontani i bambini. I materiali di imballaggio possono provocare soffocamento.

### **Sicurezza tecnica**

- Le feritoie di ventilazione nell'involucro dell'elettrodomestico o nella struttura interna devono essere sempre mantenute pulite e prive di ostruzioni.
- Non utilizzare dispositivi elettrici all'interno del frigorifero.
- Il gas refrigerante e isolante utilizzato nell'elettrodomestico richiede procedure di smaltimento speciali. Prima di smaltire l'elettrodomestico, consultare un rappresentante dell'assistenza o una persona qualificata.
- Eventuali fuoriuscite di refrigerante dai tubi potrebbero innescare incendi o provocare un'esplosione.
- La quantità di refrigerante dell'elettrodomestico è riportata sulla targhetta di identificazione collocata all'interno dell'elettrodomestico.
- Non accendere mai un elettrodomestico che mostra segni di danni. In caso di dubbi, rivolgersi al rivenditore.
- Questo apparecchio è esclusivamente progettato per l'uso in ambienti domestici e applicazioni simili. Non deve essere utilizzato per scopi commerciali o di ristorazione, né in applicazioni mobili, ad esempio una roulotte o un'imbarcazione.
- Questo elettrodomestico di refrigerazione non è destinato all'uso come apparecchio integrato.



- In questo elettrodomestico non devono essere conservate sostanze esplosive, per esempio contenitori di aerosol con propellente infiammabile.

### **Rischio di incendio e materiali infiammabili**



Questo simbolo avvisa di materiali infiammabili che possono accendersi e provocare un incendio se non vi si presta attenzione.

- Questo elettrodomestico contiene un quantitativo limitato di refrigerante isobutano (R600a), ma è anche combustibile. In fase di trasporto e installazione dell'elettrodomestico, occorre particolare attenzione a non danneggiare i componenti del circuito refrigerante.
- In caso di perdite, tenere lontane fiamme libere o potenziali fonti di innesco di incendi e arieggiare per vari minuti l'ambiente in cui è installato l'elettrodomestico. Per evitare la generazione di miscele di gas infiammabili in caso di perdite del circuito del refrigerante, le dimensioni dell'ambiente in cui viene utilizzato l'elettrodomestico devono essere adeguate alla quantità di refrigerante adoperato. Per ogni 8 grammi di refrigerante R600a contenuti nell'elettrodomestico occorre un metro quadro di spazio.
- Quando si posiziona l'elettrodomestico, assicurarsi che il cavo di alimentazione non resti intrappolato e non si danneggi.
- Non utilizzare prese multiple o alimentatori portatili sul retro dell'elettrodomestico.

### **⚠ ATTENZIONE**

**Per ridurre il rischio di lesioni personali lievi, malfunzionamenti o danni al prodotto o ai beni durante l'uso dell'elettrodomestico, attenersi alle precauzioni basilari, ad esempio:**

#### **Installazione**

- Durante il trasporto, non inclinare l'apparecchio per spingerlo o tirarlo.
- Assicurarsi di non schiacciare parti del corpo come mani o piedi quando si sposta l'elettrodomestico.

## Uso

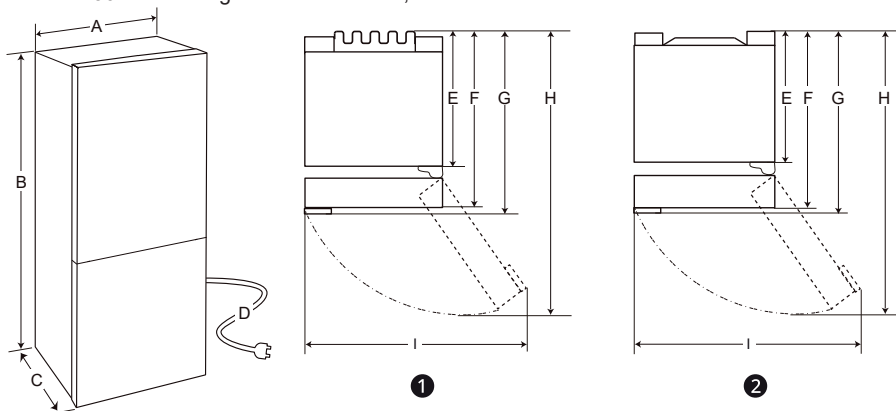
- Non toccare alimenti congelati o le parti metalliche nello scomparto del congelatore con le mani bagnate o umide poiché potrebbero rimanere congelate.
- Non collocare contenitori in vetro, bottiglie o lattine (soprattutto quelle contenenti bibite gassate) nel congelatore, sugli scaffali o nel cassetto del ghiaccio, in quanto sarebbero esposti a temperature sotto lo zero.
- Il vetro temperato sul lato frontale dello sportello del dispositivo e i ripiani possono subire danni da impatto. Qualora si rompessero, non toccare i cocci con le mani.
- Non aggrapparsi e non arrampicarsi sullo sportello dell'apparecchio, sui vani di conservazione degli alimenti o sui ripiani.
- Non conservare una quantità eccessiva di bottiglie d'acqua o contenitori per contorni nei cestelli dello sportello.
- Evitare che animali mordano il cavo di alimentazione o il tubo dell'acqua.
- Non aprire o chiudere lo sportello dell'apparecchio con troppa forza.
- In caso di danni o malfunzionamenti della cerniera dello sportello, non adoperare l'elettrodomestico e rivolgersi a un centro assistenza LG Electronics.
- Non pulire i ripiani o coperchi di vetro con acqua calda mentre sono freddi.
- Non mangiare alimenti congelati subito dopo averli estratti dal congelatore.
- Assicurarsi di non schiacciare mani o piedi nell'aprire o chiudere lo sportello dell'elettrodomestico.

## Manutenzione

- Non inserire i ripiani al contrario. Potrebbero cadere.
- Per eliminare la brina dall'apparecchio, rivolgersi a un Centro di assistenza clienti LG Electronics.

## Dimensioni e distanze

Una distanza troppo ravvicinata con gli oggetti vicini potrebbe risultare nella diminuzione della capacità di congelamento e in un aumento dei consumi di elettricità. Predisporre una distanza pari ad almeno 50 mm con ogni muro adiacente, in fase di installazione.



	1		2	
	Dimensioni [mm]			
	Maniglia a tasca	Maniglia a barre	Maniglia a tasca	Maniglia a barre
A	595	595	595	595
B	1 860 / 2 030	1 860 / 2 030	1 860 / 2 030	1 860 / 2 030
C	682	718	675	712
D	2 100	2 100	2 100	2 100
E	616	616	610	610
F	682	682	675	675
G	-	718	-	712
H	1 230	1 237	1 225	1 232
I	995	995	995	995

### NOTA

- Le misure nella tabella sopra sono approssimative.

## Temperatura ambiente

- L'elettrodomestico è stato progettato per il funzionamento in una gamma limitata di temperature ambiente, a seconda delle zone climatiche.
- Le temperature interne potrebbero essere alterate dalla posizione dell'elettrodomestico, dalla temperatura ambiente, dalla frequenza con la quale si apre lo sportello e così via.
- La classe climatica è riportata sulla targa dati.

Classe climatica	Intervallo della temperatura ambiente °C
SN (Temperata Estesa)	+10 - +32
N (Temperata)	+16 - +32
ST (Subtropicale)	+16 - +38
T (Tropicale)	+16 - +43 / +10 - +43*

\*Australia, India, Kenya

### NOTA

Gli elettrodomestici di classe da SN a T dovrebbero essere utilizzati a una temperatura ambiente compresa tra i 10°C e i 43°C.

## Note per l'uso

- Tenere presente che può formarsi della brina se lo sportello non è completamente chiuso, se l'umidità è elevata nella stagione estiva o se lo sportello del congelatore viene aperto frequentemente.
- Accertarsi che vi sia sufficiente spazio tra gli alimenti conservati sul ripiano o nel cestello nello sportello per consentire la completa chiusura dello sportello.
- Aprire lo sportello per lunghi periodi di tempo può causare un aumento significativo della temperatura negli scomparti dell'elettrodomestico.
- Se l'apparecchio di refrigerazione viene lasciato vuoto per lunghi periodi di tempo, spegnerlo, sbrinarlo, pulirlo, asciugarlo e lasciare lo sportello aperto per impedire lo sviluppo di muffa al suo interno.

## Suggerimenti per il risparmio energetico

- Accertarsi che vi sia sufficiente spazio tra gli alimenti conservati. Ciò consente una circolazione uniforme dell'aria fredda, riducendo i consumi energetici.
- Conservare gli alimenti caldi solo dopo che si sono raffreddati per evitare la formazione di condensa o brina.
- Se si conservano alimenti nel congelatore, impostare la temperatura del congelatore a una temperatura inferiore a quella indicata sull'alimento.
- Non collocare alimenti in prossimità del sensore di temperatura del frigorifero. Lasciare una distanza di almeno 3 cm dal sensore.
- Si noti che un aumento di temperatura dopo lo sbrinamento ha un intervallo consentito nelle specifiche dell'elettrodomestico. Se si desidera ridurre al minimo l'impatto che questo può avere sulla conservazione degli alimenti a causa di un aumento di temperatura, sigillare o avvolgere gli alimenti immagazzinati in più strati.
- La modalità di sbrinamento automatico nell'elettrodomestico fa in modo di evitare la formazione di accumuli di ghiaccio nelle condizioni operative standard.
- Per un uso più efficiente dell'energia, conservare tutte le parti interne (ad es. cestini delle porte, cassetti e ripiani) nella loro posizione originale.
- Non impostare la temperatura dell'elettrodomestico a valori più bassi del necessario.

## Conservazione efficace degli alimenti

- Conservare gli alimenti congelati o raffreddati in contenitori sigillati.
- Prima di introdurre alimenti nell'apparecchio, controllare la data di scadenza e l'etichetta riportante le istruzioni per la conservazione.
- Non conservare per lunghi periodi alimenti che si deteriorano facilmente a basse temperature.
- Collocare gli alimenti congelati o refrigerati nel frigorifero subito dopo l'acquisto. Non ricongelare alimenti che sono già stati scongelati completamente. Il ricongelamento di alimenti che sono già stati scongelati completamente ne altera il gusto e le proprietà nutritive.
- Conservare pesce e carne crudi in contenitori adatti nel frigorifero, così che non siano in contatto con altro cibo o non vi gocciolino sopra.
- Non avvolgere e conservare le verdure nella carta di giornale. I materiali di stampa della carta di giornale o altri corpi estranei potrebbero macchiare e contaminare gli alimenti.
- Non riempire eccessivamente l'elettrodomestico. Se l'elettrodomestico è troppo pieno, l'aria fredda non circola adeguatamente.
- Se si imposta una temperatura troppo bassa, gli alimenti si congelano. Non impostare una temperatura inferiore a quella necessaria per la corretta conservazione degli alimenti.
- Per avere ulteriore spazio è possibile rimuovere portabottiglie, scomparto uova, vaschetta del ghiaccio e cassetto convertitore fresco.
- Gli alimenti possono congelare o deteriorarsi se conservati ad una temperatura errata.
- Impostare il frigorifero alla temperatura corretta per gli alimenti conservati.

## Massima capacità di congelamento

- La funzione Express Freeze imposta il congelatore alla sua massima capacità di congelamento. Generalmente questo richiede 24 ore e si spegne automaticamente.
- Se è necessario usare la massima capacità di congelamento, Express Freeze deve essere acceso per sette ore prima di riporre il prodotto fresco nello scomparto del congelatore.

## Congelare la massima quantità di cibo

- Per migliorare la circolazione dell'aria, inserire tutti i cassetti.
- Se dovesse essere necessario conservare grandi quantità di alimenti, tutti i cassetti del

congelatore potranno essere estratti dall'elettrodomestico e gli alimenti potranno quindi essere impilati direttamente sul ripiano (o sui ripiani) del congelatore.

#### NOTA

Per rimuovere i cassetti, rimuovere prima il

- cibo e poi tirare i cassetti con cautela. Fare altrimenti può causare lesioni o danni ai cassetti.
- I cassetti possono essere di forma differente, per cui occorre particolare attenzione per inserirli nella posizione corretta.

#### Impostazione della temperatura

Consente di impostare la temperatura del frigorifero o del congelatore.

- Premere il tasto **Fridge** o il tasto **Freezer** per regolare la temperatura.
- La temperatura può essere regolata.
  - Frigorifero: da 1 °C a 7 °C
  - Congelatore: da -15 °C a -23 °C
- La temperatura iniziale è impostata.
  - Frigorifero: 3 °C – Congelatore: -18°C

La temperatura interna effettiva varia a seconda dello stato degli alimenti, per cui l'impostazione della temperatura indicata corrisponde a quella desiderata e non a quella effettiva nell'elettrodomestico.

#### NOTA

- L'impostazione predefinita della temperatura può variare a seconda del tipo di elettrodomestico.
- Per una conservazione ottimale degli alimenti, si consiglia di aumentare o diminuire di 1 °C o di un livello rispetto alla temperatura predefinita per ogni scomparto.
- Una volta collegato l'elettrodomestico alla presa, prima di conservare gli alimenti attendere 2 o 3 ore.
- Per la produzione di ghiaccio in climi normali, le temperature del congelatore dovrebbero essere impostate a -18°C o inferiori.

#### Allarme alta temperatura

Quando la temperatura del frigorifero diventa troppo alta per via di interruzioni di corrente, la lampada a LED della temperatura del frigorifero lampeggia e suona un allarme.

Premere il tasto **Freezer** per interromperlo.

Se la temperatura è sufficientemente fredda, il lampeggiamento e l'allarme s'interromperanno automaticamente.

Questa funzione si attiva:

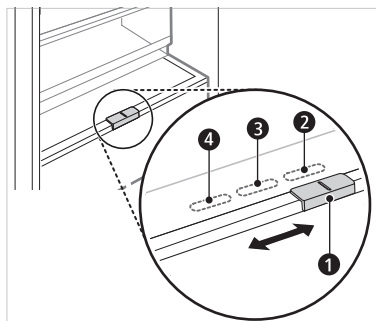
- Quando si accende il frigorifero.
- Quando lo scomparto del congelatore diventa troppo caldo.
- Quando c'è un'interruzione di corrente che dura per un lungo periodo di tempo.
- Quando grandi quantità di cibo caldo vengono posizionate nello scomparto del congelatore.

– Quando lo sportello del congelatore viene lasciato aperto per troppo tempo o troppo frequentemente.

#### Convertitore fresco ( \* )

Come scomparto di raffreddamento, la temperatura nel convertitore fresco può essere controllata facendo scorrere a destra o a sinistra la leva ❶ posizionata di fronte allo scomparto.

Quando si conservano verdure dopo aver impostato Carne o Pesce, potrebbero verificarsi lesioni da freddo.



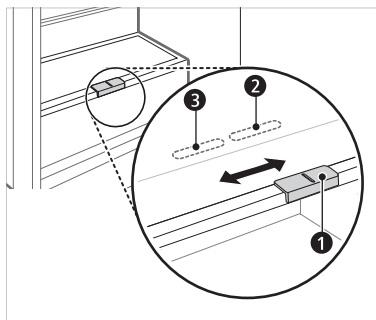
- ❷ per conservare verdura. (Consigliato)
- ❸ per conservare pesce.
- ❹ per conservare carne.

#### NOTA

- ( \* ): significa che questa funzione varia a seconda del modello acquistato.

#### Cassetto per verdure fresche ( \* )

È possibile regolare l'umidità dello scomparto per le verdure spostando la manopola ❶.



- ❷ per conservare verdura. (Consigliato)
- ❸ per conservare frutta.

#### NOTA

- ( \* ): significa che questa funzione varia a seconda del modello acquistato.

## Scomparti per la conservazione degli alimenti

### Conservazione degli alimenti nel vano frigorifero

- **Ripiano del frigorifero**
  - È il posto dove si conservano gli alimenti refrigerati o altro.
  - L'altezza dello scaffale può essere regolata inserendo lo scaffale in un'altra scanalatura ad un'altezza differente.
  - Conservare gli alimenti con elevato contenuto di umidità nella parte anteriore del ripiano.
  - Il numero effettivo di ripiani varia a seconda del modello.
- **Portabottiglie (\*)**
  - È il posto dove si conservano bottiglie alte per bevande o contenitori.
- **Scaffale pieghevole (\*)**
  - È il posto dove si conservano gli alimenti refrigerati o articoli alti..
- **Cassetto per verdure fresche (\*)**
  - È il posto dove si conservano frutta e verdura per mantenerne la freschezza regolando l'umidità.
  - L'aspetto o i componenti dell'apparecchio possono differire a seconda del modello.
- **Convertitore fresco (\*)**
  - Come scomparto di raffreddamento, è il posto in cui si conservano carne, pesce e verdure. Aiuta a mantenere la freschezza regolando l'umidità tramite dispositivo situato sul retro dello scomparto del frigo.
  - Per avere più spazio, è possibile usare la zona di raffreddamento senza il cassetto dello a hűtőrekesz fiókja nélkül is használhatja scomparto di raffreddamento.
- **Contenitore portauova rimovibile**
  - È il posto dove si conservano le uova.
  - È possibile rimuoverlo e usarlo nella posizione che si desidera, come necessario. Tuttavia, non utilizzarlo come contenitore del ghiaccio, né posizionarlo sul ripiano alto del frigo o nel cassetto della verdura.

- **Cestello nello sportello del frigorifero**
  - Serve alla conservazione di piccole confezioni di alimenti refrigerati, bevande e contenitori di sughi.
- **Serbatoio dell'erogatore d'acqua (\*)**
  - È il posto dove si conserva l'acqua per rifornire l'erogatore o il fabbricatore automatico di ghiaccio. Deve essere riempito manualmente. (Solo modelli senza allaccio alla rete idrica)

### Conservazione degli alimenti nel vano congelatore

- **Vaschetta per il ghiaccio**
  - Serve alla produzione e alla conservazione del ghiaccio.
  - Per creare più spazio, è possibile rimuovere la vaschetta per il ghiaccio o il cestello per il ghiaccio.
- **Cassetto del congelatore**
  - Serve alla conservazione a lungo termine di alimenti congelati.
  - Per congelare rapidamente i prodotti alimentari, conserva il cibo sul lato sinistro del cassetto superiore. I prodotti alimentari congeleranno più rapidamente nella zona.

#### NOTA

- (\*) : significa che questa funzione varia a seconda del modello acquistato.
- Per ulteriori informazioni sugli altri vani, visitare [lg.com](http://lg.com) e scaricare i manuali dell'utente.

## Pannello di controllo

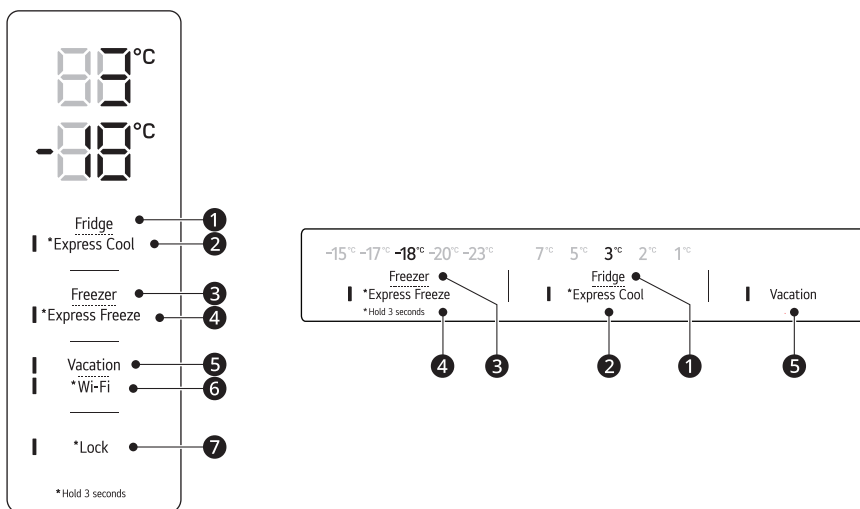
Il pannello di controllo può essere diverso da un modello all'altro.

### Pannello di controllo e funzioni

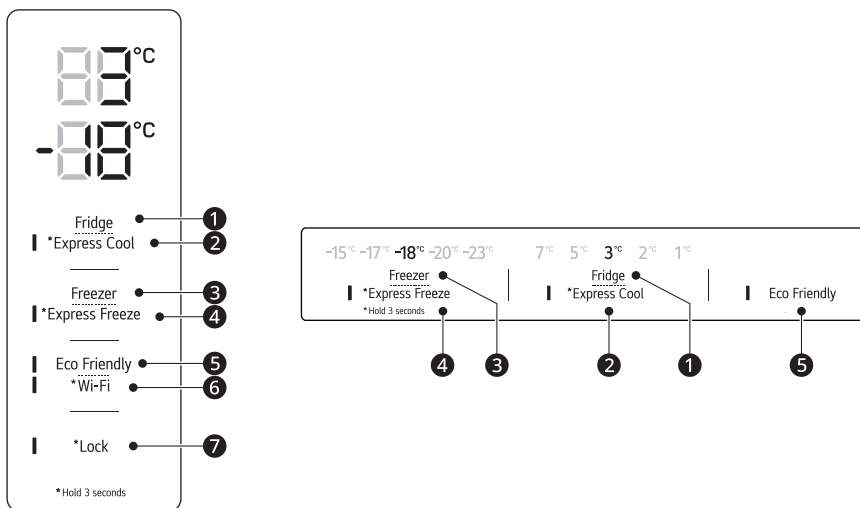
\*1 Questa funzione è disponibile solo su alcuni modelli.

A seconda del modello, il pannello di controllo si può trovare sullo sportello del frigo o all'interno del frigo.

#### Tipo A



#### Tipo B



**1 Fridge**

Premere ripetutamente questo pulsante per selezionare una temperatura desiderata tra 1 °C e 7 °C.

- La temperatura predefinita del frigorifero è di 3°C.

**2 Express Cool**

Questa funzione raffredda velocemente una grande quantità di cibo quali verdure, frutta, ecc.

- La funzione si attiva e si disattiva ogni volta che si preme il pulsante per 3 secondi.

**3 Freezer**

Premere ripetutamente questo pulsante per selezionar e una temperatura desiderata tra -15 °C e -23 °C.

- La temperatura predefinita del congelatore è di -18°C.

**4 Express Freeze**

Questa funzione consente di congelare rapidamente grossi quantitativi di ghiaccio o alimenti.

- Premere il pulsante **Express Freeze** per attivare la funzione per 24 ore. La funzione si spegne automaticamente dopo 24 ore.
- La funzione si attiva e si disattiva ogni volta che si preme il pulsante per 3 secondi.
- Quando questa modalità è attiva, potrebbe creare del rumore e il consumo di energia potrebbe aumentare.

**5 Vacation**

Questa funzione è utile quando si è in vacanza. Quando questa funzione è attiva, la temperatura del frigo è di 7°C e la temperatura del congelatore di -15°C. Quando questa funzione è disattivata, la temperatura del frigo e del congelatore torna alle impostazioni precedenti.

- La funzione si attiva e si disattiva ogni volta che si preme il pulsante.
- Quando questa modalità è attiva, gli altri pulsanti non funzionano, ad eccezione dei pulsanti **Lock** e **Wi-Fi**.
- **Eco Friendly** è stato rinominato **Vacation**.

**⚠ ATTENZIONE**

- Quando questa funzione è attiva, fare attenzione a conservare alimenti che richiedono una temperatura inferiore alla temperatura predefinita.
- Quando si torna a casa, ricordarsi di spegnere questa funzione per sbloccare gli altri pulsanti e riportare il frigorifero alle impostazioni di temperatura precedenti.

**6 Wi-Fi\*1**

Questo pulsante consente al dispositivo di connettersi a una rete Wi-Fi domestica. Fare riferimento a **SMART FUNCTIONS** per informazioni sulla configurazione iniziale dell'applicazione **LG ThinQ**.

**7 Lock\*1**

Consente di bloccare i pulsanti del pannello di controllo.

- Per bloccare i pulsanti del pannello di controllo, tenere premuto il pulsante **Lock** per 3 secondi fino all'attivazione della funzione.
- Per disabilitare la funzione, tenere premuto il pulsante **Lock** per 3 secondi fino a quando la funzione non viene disattivata.

**NOTA**

- Per una conservazione ottimale degli alimenti, si consiglia di aumentare o diminuire di 1 °C o di un livello rispetto alla temperatura predefinita per ogni scomparto.
- La temperatura visualizzata è quella target e non la temperatura effettiva all'interno dell'apparecchio.
- La temperatura effettiva all'interno dell'apparecchio dipende dai seguenti fattori: temperatura ambiente, quantità di cibo e frequenza di apertura degli sportelli, ubicazione dell'apparecchio. Impostare le temperature considerando questi fattori.
- Il pannello di controllo si spegne automaticamente per risparmiare energia.
- Quando si tocca il pannello di controllo per pulirlo, un qualunque contatto con dita o pelle potrebbe attivare un pulsante e la relativa funzione.



## Applicazione LG ThinQ

Questa caratteristica è disponibile solo sui modelli con Wi-Fi.

L'applicazione **LG ThinQ** permette di comunicare con l'elettrodomestico tramite uno smartphone.

## Caratteristiche dell'applicazione LG ThinQ

È possibile comunicare con l'elettrodomestico da uno smartphone usando le comode funzioni smart.

### Smart Diagnosis

- Se si riscontra un problema durante l'uso dell'elettrodomestico, questa funzione smart diagnosis aiuterà a diagnosticare il problema.

### Impostazioni

- Consente di impostare varie opzioni sull'elettrodomestico e nell'applicazione.

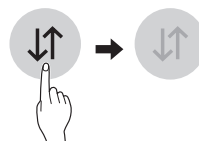
### NOTA

- Se si modifica il router wireless, il provider di servizi Internet o la password, eliminare il dispositivo registrato dall'applicazione **LG ThinQ** ed eseguire di nuovo la registrazione.
- L'applicazione è soggetta a modifiche senza preavviso, a scopo di miglioramento del prodotto.
- Le caratteristiche possono variare in base al modello.

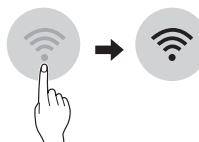
## Prima di utilizzare l'applicazione LG ThinQ

- 1 Controllare la distanza tra il dispositivo e il router wireless (rete Wi-Fi).
  - Se la distanza tra il dispositivo e il router fosse eccessiva, la potenza del segnale si indebolirebbe. Potrebbe volerci quindi molto tempo per effettuare la registrazione o l'installazione potrebbe non andare a buon fine.


- 2 Disattivare la **Connessione dati** o i **Dati cellulare** dal proprio smartphone.



- 3 Collegare lo smartphone al router wireless.



### NOTA

- Per verificare il collegamento Wi-Fi, controllare che l'icona  sul pannello di controllo sia illuminata.
- Il dispositivo supporta soltanto reti Wi-Fi a 2,4 GHz. Per controllare la frequenza della propria rete, è necessario contattare il provider di servizi internet o fare riferimento al proprio manuale per il router wireless.
- **LG ThinQ** non è responsabile di eventuali problemi relativi alla connessione di rete né di guasti, malfunzionamenti o errori causati dalla connessione di rete.
- In caso di problemi di connessione dell'elettrodomestico alla rete Wi-Fi, è possibile che l'elettrodomestico sia troppo distante dal router. Acquistare un ripetitore Wi-Fi (range extender) per aumentare l'intensità del segnale Wi-Fi.
- La connessione Wi-Fi potrebbe non avvenire o potrebbe interrompersi a causa dell'ambiente della rete domestica.
- La connessione di rete potrebbe non funzionare correttamente a seconda del fornitore del servizio Internet.
- L'ambiente wireless circostante potrebbe causare rallentamenti nel servizio di rete wireless.
- Il dispositivo non può essere registrato a causa di problemi con la trasmissione del segnale wireless. Disconnettere il dispositivo e aspettare per circa un minuto prima di provare nuovamente.


- Se il firewall sul router wireless è attivo, disattivarlo o aggiungere una eccezione.
- Il nome della rete wireless (SSID) dovrebbe essere una combinazione di lettere inglesi e numeri. (Non utilizzare caratteri speciali)
- L'interfaccia utente smartphone (IU) può variare a seconda del sistema operativo mobile (OS) e del produttore.
- Se il protocollo di sicurezza del router è impostato su **WEP**, potrebbe non essere possibile impostare la rete. Cambiare il protocollo (**WPA2** è quello consigliato) e registrare nuovamente il prodotto.

## Installazione dell'applicazione LG ThinQ

Cercare l'applicazione **LG ThinQ** per smartphone su Google Play & Apple App Store.

- Seguire le istruzioni per scaricare e installare l'applicazione.

## Collegamento al Wi-Fi

Il pulsante **Wi-Fi**, impostato con l'applicazione **LG ThinQ**, consente all'apparecchio di collegarsi alla rete Wi-Fi casalinga. L'icona  mostra lo stato della connessione dell'elettrodomestico alla rete. L'icona si illumina quando l'elettrodomestico si collega alla rete Wi-Fi.


## Registrazione iniziale del prodotto

- Avviare l'applicazione **LG ThinQ** e seguire le istruzioni all'interno dell'applicazione per effettuare la registrazione.

## Registrare nuovamente il prodotto o registrare un altro utente

- Premere e tenere premuto il pulsante **Wi-Fi** per 3 secondi, per spegnerlo temporaneamente. Avviare l'applicazione **LG ThinQ** e seguire le istruzioni all'interno dell'applicazione per effettuare la registrazione.

## NOTA

- Per disattivare la funzione Wi-Fi, premere e tenere premuto il pulsante **Wi-Fi** per 3 secondi. L'icona  sarà disattivata.

## Informazioni avviso software Open Source

Per ottenere il codice sorgente sotto GPL, LGPL, MPL e altre licenze open source che prevedono l'obbligo di divulgare il codice sorgente, contenuto in questo prodotto, e per accedere a tutti i termini di licenza citati, alle note sul copyright e ad altri documenti pertinenti, visitare <https://opensource.lge.com>.

LG Electronics fornirà anche il codice open source su CD-ROM su richiesta tramite e-mail all'indirizzo [opensource@lge.com](mailto:opensource@lge.com) addebitando il costo delle spese di distribuzione (ad esempio il costo di supporti, spedizione e gestione).

Questa offerta è valida per chiunque riceva queste informazioni per un periodo di tre anni dalla nostra ultima spedizione di questo prodotto.

## Note per la pulizia

- Quando si rimuove un ripiano o un cassetto dall'interno dell'apparecchio, rimuovere tutti gli alimenti conservati dal ripiano o cassetto per evitare lesioni o danni all'apparecchio.
  - In caso contrario, si potrebbe incorrere in lesioni a causa del peso degli alimenti conservati.
- Se gli sfiami dell'aria esterni dell'elettrodomestico vengono puliti con un aspirapolvere, togliere la spina del cavo di alimentazione dalla presa per evitare scariche elettrostatiche che potrebbero danneggiare i componenti elettronici o provocare scosse elettriche.
- Estrarre i ripiani e i cassetti, pulirli con acqua e asciugarli sufficientemente prima di reinserirli.
- Strofinare regolarmente le guarnizioni dello sportello con un panno morbido inumidito.
- Pulire eventuali fuoriuscite o macchie nel cestello dello sportello poiché possono compromettere la capacità di conservazione del cestello o persino danneggiare il cestello stesso.
- Dopo la pulizia, accertarsi che il cavo di alimentazione non sia danneggiato, caldo o inserito nella presa in maniera errata.
- Tenere pulite le prese d'aria sulla parte esterna dell'apparecchio.
  - Se le prese d'aria sono ostruite, potrebbero verificarsi incendi o danni all'apparecchio.
- Nel pulire l'interno o l'esterno del dispositivo, non utilizzare una spazzola dura, dentifricio o materiali infiammabili. Non utilizzare agenti pulenti che contengano sostanze infiammabili.
  - Ciò potrebbe causare scolorimento o danni all'elettrodomestico.
  - Sostanze infiammabili: alcool (etanolo, metanolo, alcool propilico, alcool isobutilico, ecc.), diluente, candeggina, benzene, liquidi infiammabili, materiali abrasivi, ecc.
- Per la parte esterna dell'elettrodomestico, utilizzare una spugna o un panno morbido pulito imbevuto di acqua calda e un detergente delicato. Non adoperare detergenti potenti o abrasivi. Asciugare perfettamente con un panno morbido.
- Non lavare mai i ripiani o i contenitori in lavastoviglie,
  - I componenti possono deformarsi a causa del calore.
- Pulire regolarmente le superfici che possono entrare in contatto con il cibo e i sistemi di drenaggio accessibili.
- Se l'elettrodomestico è dotato di lampada al LED, non rimuovere la copertura della lampada e la lampada al LED nel tentativo di ripararla o sostituirla. Si prega di contattare un centro di assistenza LG Electronics.

## Smaltimento delle apparecchiature obsolete



- Tutte le apparecchiature elettriche ed elettroniche contrassegnate da questo simbolo ("bidone della spazzatura barrato da una croce"), devono essere raccolte e smaltite separatamente rispetto agli altri rifiuti urbani misti, mediante impianti di raccolta specifici installati da Enti pubblici o dalle autorità locali. Si ricorda che gli utenti finali domestici possono consegnare gratuitamente le apparecchiature elettriche ed elettroniche a fine vita presso il punto vendita all'atto dell'acquisto di una nuova apparecchiatura equivalente. Gli utenti finali domestici possono inoltre consegnare gratuitamente apparecchiature elettriche ed elettroniche di piccolissime dimensioni (non eccedenti i 25 cm) a fine vita direttamente presso un punto vendita a ciò abilitato, senza obbligo di acquistare una apparecchiatura nuova di tipo equivalente. Si prega di informarsi previamente presso il punto vendita prescelto circa tale ultima modalità di conferimento dell'apparecchiatura a fine vita.
- Il corretto smaltimento dell'unità obsoleta contribuisce a prevenire possibili conseguenze negative sulla salute degli individui e sull'ambiente. Una gestione responsabile del fine vita delle apparecchiature elettriche ed elettroniche da parte degli utenti contribuisce al riutilizzo, al riciclaggio e al recupero sostenibile dei prodotti obsoleti e dei relativi materiali.
- Per informazioni più dettagliate sullo smaltimento delle apparecchiature obsolete, contattare l'ufficio del comune di residenza, il servizio di smaltimento rifiuti o il punto vendita in cui è stato acquistato il prodotto. ([www.lg.com/global/recycling](http://www.lg.com/global/recycling))

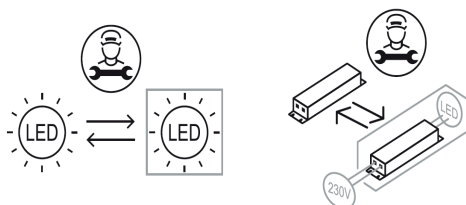
## Servizio di assistenza ai clienti

Contattare un centro informazioni clienti LG Electronics.

- Per informazioni sui centri di assistenza autorizzati LG, visitate il sito web [www.lg.com](http://www.lg.com).
- Solo personale qualificato del centro assistenza autorizzato LG può smontare, riparare o modificare l'elettrodomestico.
- Il periodo di garanzia minimo di questo apparecchio di refrigerazione è di 24 mesi.
- Per acquistare parti di ricambio, contattare un centro informazioni clienti LG Electronics o visitare il sito [www.lg.com](http://www.lg.com).
- Sono disponibili parti di ricambio indicate nel Regolamento EU 2019/2019 per una durata di 7 anni (solo le guarnizioni degli sportelli sono disponibili per 10 anni).

### NOTA

- Per ulteriori informazioni sull'efficienza energetica dell'elettrodomestico, visitare <https://ec.europa.eu> e cercare il nome del modello (valido dal 1° marzo 2021).
- Regolamento EU 2019/2019, valido dal 1° marzo 2021, è relativo alle classi di efficienza energetica da Regolamento EU 2019/2016.
- Scannerizzare il codice QR sull'etichetta energetica fornita con l'elettrodomestico, che restituisce un link con le informazioni relative alle prestazioni dell'elettrodomestico nel database EU EPREL. Conservare l'etichetta energetica per riferimento e i documenti forniti con l'elettrodomestico (con validità dal 1° marzo 2021).
- Il nome del modello è riportato sulla targhetta di identificazione dell'elettrodomestico.
- Questo prodotto contiene una sorgente luminosa di classe di efficienza energetica G.





NAUDOTOJO VADOVAS

# ŠALDYTUVAS IR ŠALDIKLIS

**Prieš pradėdami naudotis prietaisu, atidžiai perskaitykite šį savininko vadovą ir laikykite jį patogioje vietoje, kad galėtumėte juo visuomet pasinaudoti.**

[www.lg.com](http://www.lg.com)

Išsamesnės informacijos pateikiama naudotojo vadove, kuris publikuojamas LG interneto svetainėje.  
Autorių teisė © 2019-2023 „LG Electronics“. Visos teisės saugomos

# TURINYS

Šiame vadove gali būti nuotraukų arba turinio, nesuderinamo su jūsų įsigytu modeliu.

Šį vadovą gali pakoreguoti gamintojas.

<b>NURODYMAI DĖL SAUGOS .....</b>	<b>3</b>
Svarbios saugos instrukcijos .....	3
<b>MONTAVIMAS .....</b>	<b>10</b>
Matmenys ir tarpai .....	10
Aplinkos temperatūra.....	10
<b>NAUDOJIMAS .....</b>	<b>11</b>
Naudojimo pastabos.....	11
Atverčiamas šviežių produktų skyrius ( * ).....	12
Šviežių daržovių stalčius ( * ).....	12
Valdymo skydelis.....	14
<b>IŠMANIOSIOS FUNKCIJOS .....</b>	<b>16</b>
„LG ThinQ“ programa .....	16
<b>PRIEŽIŪRA .....</b>	<b>18</b>
Valymo pastabos .....	18
Seno prietaiso utilizavimas .....	18
<b>TRIKČIŲ ŠALINIMAS .....</b>	<b>19</b>

## Tai trumpoji Savininko vadovo redakcija.

Norėdami gauti daugiau informacijos, apsilankykite  
LG tinklapyje: <http://www.lg.com>




## Trikčių šalinimas



Šios saugos gairės turi užkirsti kelią nenumatytam pavojui ar žalai, jei produktas eksploatuojamas nesaugiai arba netinkamai.

Gairės yra išskirtos į „**ĮSPĖJIMAS**“ ir „**ATSARGIAI**“, kaip nurodyta toliau.

 Šis simbolis skirtas nurodyti atvejus ir veiksmus, kurie gali sukelti pavojų. Siekdami išvengti pavojaus, atidžiai perskaitykite dalį, kur nurodytas šis simbolis, ir laikykitės nurodymų.

### **ĮSPĖJIMAS**

Tai rodo, kad nesilaikant instrukcijų, galima rimtai susižeisti arba žūti.

### **ATSARGIAI**

Tai rodo, kad nesilaikant instrukcijų, galima lengvai susižeisti arba sugadinti produktą.

## Svarbios saugos instrukcijos

### **ĮSPĖJIMAS**

Norėdami sumažinti gaisro, elektros smūgio arba kitų asmenų sužalojimo pavojų gaminio naudojimo metu, turite laikytis pagrindinių atsargumo priemonių, įskaitant šias:

#### **Vaikai namų ūkyje**

- Šis prietaisas nėra skirtas naudoti asmenims (įskaitant vaikus) su pablogėjusiais fiziniais, jutimo ar protiniais gebėjimais, patirties ar žinių stoka, nebent juos prižiūri už saugą atsakingas asmuo arba buvo suteiktos su prietaiso naudojimu susijusios instrukcijos. Prižiūrėkite, kad vaikai nežaistų su prietaisu.
- Jei prietaise įrengtas užraktas (tik kai kuriuose modeliuose), raktą laikykite vaikams nepasiekiamoje vietoje.

## **Dėl naudojimo Europoje**

- Vyresni nei 8 metų vaikai ir asmenys, kurių fiziniai, jutimo arba protiniai gebėjimai riboti, arba kuriems trūksta patirties ir žinių, šį prietaisą gali naudoti tik tuomet, jei jie prižiūrimi arba jiems buvo suteikti nurodymai, kaip saugiai naudoti prietaisą, ir jei jie supranta su prietaiso naudojimu susijusius pavojus. Neleiskite vaikams žaisti su šiuo prietaisu. Neleiskite vaikams valyti bei tvarkyti šio prietaiso be priežiūros.

- Vaikai nuo 3 iki 8 metų amžiaus gali sudėti produktus į šaldymo prietaisus bei juos iš ten išimti.

## **Montavimas**

- Šį prietaisą transportuoti turėtų tik du arba daugiau asmenų, jį reikėtų tvirtai laikyti.

- Įsitikinkite, kad elektros lizdas tinkamai įžemintas ir kad maitinimo laido įžeminimo kontaktas nepažeistas ir nepašalintas. Išsamesnės informacijos apie įžeminimą teiraukitės „LG Electronics“ klientų informacijos centre.

- Šis prietaisas yra su maitinimo laidu ir įrangos įžeminimo laidininku bei įžemintu maitinimo kištuku. Maitinimo kištukas turi būti įjungtas į atitinkamą lizdą, kuris sumontuotas ir įžemintas laikantis visų vietinių normatyvų ir potvarkių.

- Jei maitinimo laidas pažeistas arba jei kištukas lizdo angoje laikosi netvirtai, nenaudokite maitinimo laido ir susisiekiite su įgaliotu priežiūros centru.

- Nejunkite prietaiso į daugializdį adapterį, kurio elektros tinklo kištukas prijungtas ne kabeliu (įmontuotas).

- Nemodifikuokite ir neilginkite maitinimo laido.

- Prietaisas turėtų būti prijungtas prie jam skirtos elektros linijos su atskiru saugikliu.

- Nenaudokite daugiaviečio elektros lizdo (nešiojamojo), kuris nėra tinkamai įžemintas. Jei naudojate tinkamai įžemintą daugiavietį elektros lizdą (nešiojamąjį), žiūrėkite, kad jo vardinė elektros srovė būtų ne mažesnė už elektros įrenginių eksploataavimo saugos taisyklėse nurodytą elektros srovę ir daugiavietį elektros lizdą naudokite tik šiam prietaisui.

- Montuokite prietaisą vietoje, kurioje bus lengva ištraukti prietaiso maitinimo kištuką.

- Rūpinkitės, kad maitinimo kištukas nebūtų nukreiptas aukštyn, ir neleiskite prietaisui atsiremti į maitinimo kištuką.

- Prietaisą statykite ant tvirtų ir lygių grindų.



- Nemontuokite prietaiso drėgnoje ir dulkėtoje vietoje. Nemontuokite ir nesandėliuokite prietaiso lauke arba bet kokioje vietoje, kurioje veikia oro sąlygos, pvz., tiesioginė saulės šviesa, vėjas, lietus arba žemesnė nei 0 laipsnių temperatūra.
- Nestatykite prietaiso tiesioginėje saulės šviesoje ir saugokite nuo šilumos, kurią skleidžia šildymo prietaisai, pvz., viryklės ir šildytuvai.
- Montuodami saugokite prietaiso galinę pusę.
- Saugokite prietaiso dureles, kad montuojant arba išmontuojant jos nenukristų.
- Saugokite maitinimo laidą, kad montuodami arba išmontuodami prietaiso dureles jo nesuspaustumėte, nesutraiškytumėte ir nepažeistumėte.
- Maitinimo kištuko nejunkite prie kištukinio adapterio ar kitų priedų.

### **Naudojimas**

- Nenaudokite prietaiso jokiam kitam tikslui (medicininiems arba eksperimentiniems medžiagoms sandėliuoti arba siųsti), išskyrus būtiniam maisto produktų laikymui.
- Atjunkite maitinimo kištuką, jei stipri perkūnija arba jei nenaudosite prietaiso ilgą laiką.
- Nelieskite maitinimo kištuko arba prietaiso valdiklių šlapiomis rankomis.
- Nesulenkite maitinimo kabelio pernelyg stipriai ir nedėkite ant jo sunkių daiktų.
- Vandeniui patekus į elektrines prietaiso dalis, atjunkite maitinimo kištuką ir susisieki su „LG Electronics“ klientų informacijos centru.
- Nekiškite rankų ir metalinių objektų į sritį, skleidžiančią šaltą orą, neuždenkite ir nešildykite išleidimo grotelių gale.
- Saugokite galinį prietaiso dangtį nuo stiprios jėgos ir smūgių.
- Nedėkite į prietaisą gyvų gyvūnų, pavyzdžiui, naminių gyvūnelių.
- Atidarydami arba uždarydami prietaiso dureles saugokite aplink esančius vaikus. Durelės gali atsitrengti į vaiką ir jį sužaloti. Neleiskite jokiems asmenims suptis ant durelių, nes įrenginys gali apvirsti ir sukelti rimtų sužalojimų.
- Saugokite vaikus, kad jie neįstrigtų prietaiso viduje. Prietaiso viduje įstrigęs vaikas gali uždusti.
- Ant prietaiso nedėkite sunkių ar trapių daiktų, talpyklių, užpildytų skysčiu, degiomis medžiagomis, degių daiktų (tokių kaip žvakės, lempos ir t. t.) ar šildymo įtaisų (tokių kaip krosnelės, šildytuvai ir t. t.).

- Esant dujų nuotėkiui (izobutano, propano, gamtinių dujų ir t. t.), nelieskite prietaiso ir maitinimo kištuko ir nedelsdami išvėdinkite patalpą. Šiame prietaise naudojamos šaldomosios dujos (izobutanas, R600a). Nors naudojamas nedidelis dujų kiekis, jos vis tiek yra degios. Dujų nuotėkis prietaiso transportavimo, montavimo arba veikimo metu kilus kibirkščiai gali sukelti gaisrą, sproginimą arba sužaloti.
- Šalia prietaiso nenaudokite ir nesandėliuokite degiųjų medžiagų (eterio, benzeno, alkoholio, chemikalų, SND, degiųjų purškalo, insekticidų, oro gaiviklių, kosmetikos ir t. t.).
- Nedelsdami atjunkite maitinimo kištuką ir susisiekite su „LG Electronics“ klientų informacijos centru, jei prietaisas skleidžia keistą garsą, kvapą arba dūmus.
- Ledo aparato ir vandens dozatoriaus baką pildykite tik geriamuoju vandeniu.
- Nepažeiskite šaldymo grandinės.
- Į prietaisą nedėkite jokių elektroninių prietaisų (pvz., šildytuvų ir mobiliųjų telefonų).

### **Techninė priežiūra**

- Atjunkite maitinimo laidą prieš valydami prietaisą arba keisdami viduje esančią lemputę (jei yra).
- Tvirtai įkiškite maitinimo kištuką į elektros lizdą, visiškai pašalinę visą drėgmę ir dulkes.
- Niekada neatjunkite prietaiso, traukdami už maitinimo laido. Visada tvirtai suimkite maitinimo kištuką ir traukite tiesiai iš elektros lizdo.
- Nepurškite vandens ar degiųjų medžiagų (dantų pastos, alkoholio, skiediklio, benzeno, degiojo skysčio, abrazyvinių medžiagų ir t. t.) ant prietaiso vidinių ar išorinių paviršių, kad juos nuvalytumėte.
- Nevalykite prietaiso šluotelėmis, šluostėmis ir kempinėmis, kurių paviršius šiurkštus arba kurios pagamintos iš metalo.
- Tik kvalifikuotas priežiūros personalas iš „LG Electronics“ techninės priežiūros centro gali išardyti, remontuoti ar modifikuoti prietaisą. Susisiekite su „LG Electronics“ klientų informacijos centru, jei perkeliate ir sumontuojate prietaisą kitoje vietoje.
- Nenaudokite plaukų džiovintuvo vidui džiovinti ir nedėkite į vidų žvakės, norėdami pašalinti kvapus.
- Nenaudokite mechaninių prietaisų arba kitų priemonių atitirpimo procesui paspartinti.

## **Išmetimas**

- Išmesdami prietaisą nuimkite durelių tarpiklį, lentynas ir krepšius palikdami vietoje, ir neleiskite vaikams artintis prie prietaiso.
- Išmeskite visas įpakavimo medžiagas (pvz., plastikinius maišus ir putplastį) vaikams nepasiekiamoje vietoje. Pakavimo medžiagos gali uždusinti.

## **Techninė sauga**

- Prietaiso arba įmontuotos struktūros ventilacijos angas laikykite atviras.
- Elektros prietaisų šaldytuve nenaudokite.
- Prietaise naudojamoms šaldymo ir izoliavimo dujoms reikalingos specialios išmetimo procedūros. Prieš jas išmesdami, pasitarkite su priežiūros agentu arba panašios kvalifikacijos asmeniu.
- Šaldymo medžiagos nuotėkis iš vamzdžių gali užsidegti arba sukelti sprogimą.
- Šaldymo medžiagos kiekis konkrečiame jūsų prietaise nurodytas ant identifikacijos plokštelės prietaiso viduje.
- Niekada neįjunkite prietaiso, jei yra pažeidimo žymių. Jei dvejojate, susisiekite su platintoju.
- Šis prietaisas skirtas tik buitiniam ir panašiam naudojimui. Jis neturi būti naudojamas komerciniams arba aprūpinimo maistu tikslams ir mobiliems taikymams, pvz., namuose ant ratų arba valtyse.
- Šiame prietaise nelaikykite sprogiųjų medžiagų, pvz., aerozolio skardinių su degiais propelentais.
- Šis šaldymo prietaisas nėra skirtas naudoti kaip įmontuotas prietaisas.

## Degiosios medžiagos ir gaisro pavojus



Šis simbolis įspėja apie degiąsias medžiagas, kurios gali užsiliepsnoti ir sukelti gaisrą, jei nebūsime rūpestingi.

- Šiame prietaise yra nedidelis kiekis šaldomųjų izobutano dujų (R600a), kurios yra degios. Transportuojant ir montuojant prietaisą reikia rūpintis, kad nebūtų pažeistos šaldymo kontūro dalys.
- Aptikę nuotėkį, venkite visų atvirų liepsnų arba galimų uždegimo šaltinių ir kelias minutes vėdinkite kambarį, kuriame stovi prietaisas. Norint išvengti degaus dujų ir oro mišinio susidarymo įvykus šaldymo grandinės nuotėkiui, patalpos, kurioje prietaisas naudojamas, dydis turi atitikti naudojamos šaldymo medžiagos kiekį. 8 g R600a šaldymo medžiagos prietaise reikia 1 m<sup>2</sup> kambario ploto.
- Statydami prietaisą į vietą, saugokite, kad neprispaustumėte ir nepažeistumėte maitinimo laido.
- Prietaiso gale nedėkite nešiojamųjų elektros šakotuvų ar nešiojamųjų maitinimo šaltinių.

## **⚠️ ATSARGIAI**

**Norėdami sumažinti nedidelių asmens sužalojimų arba gaminio ar nuosavybės pažeidimo naudojant šį gaminį riziką, laikykitės pagrindinių toliau nurodomų atsargumo priemonių, įskaitant šias:**

### **Montavimas**

- Transportuodami prietaisą nepakreipkite jo, norėdami traukti arba stumti.
- Įsitikinkite, kad jokia kūno dalis, tokia kaip ranka ar koja, nebūtų prispausta, kai gaminys perkeliamas.

### **Naudojimas**

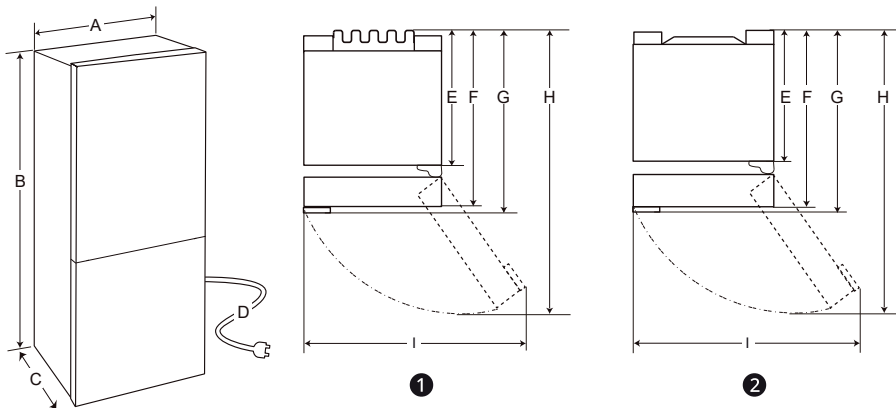
- Šlapiomis arba drėgnomis rankomis nelieskite užšaldyto maisto arba metalinių dalių šaldiklio skyriuje. Tai gali sukelti nušalimą.
- Į šaldymo skyrių, ant jo lentynų arba į ledo talpyklą, kur temperatūra nukrinta žemiau nulio, nedėkite stiklinių indų, butelių ar skardinių (ypač užpildytų gazuotaisiais gėrimais).
- Grūdintasis priekinių prietaiso durelių arba lentynų stiklas nuo smūgio gali sudužti. Jei taip nutiktų, rankomis jo nelieskite.
- Nepasikabinkite ant prietaiso durelių, talpyklų, lentynų ir nelipkite į jį.
- Durelių krepšeliuose nelaikykite per didelio kiekio vandens butelių arba garnyro talpyklų.
- Neleiskite gyvūnams graužti maitinimo laido ir vandens žarnelės.
- Neatidarinėkite ir neuždarinėkite prietaiso durelių per stipriai.
- Jei prietaiso durų lankstas yra sugedęs arba veikia netinkamai, prietaiso nenaudokite ir kreipkitės į įgaliotąjį techninės priežiūros centrą.
- Nevalykite stiklinių lentynų ir dangčių šiltu vandeniu, kai jie šalti.
- Niekada nevalgykite šaldyto maisto iškart išėmę jį iš šaldiklio.
- Įsitikinkite, kad nei ranka ir koja neįstrigtų atveriant ar uždarant gaminio dureles.

### **Techninė priežiūra**

- Lentynų viršumi į apačią nedėkite. Lentynos gali iškristi.
- Norėdami iš prietaiso pašalinti šerkšną, susisieki su „LG Electronics“ klientų informacijos centru.

## Matmenys ir tarpai

Jei atstumas nuo šalia esančių objektų bus per mažas, gali sumažėti šaldymo galia ir išaugti elektros energijos sąnaudos. Statydami prietaisą nuo kiekvienos šalia esančios sienos palikite ne mažesnę kaip 50 mm tarpą.



	1		2	
	Dydis [mm]			
	Įleista rankena	Išsikišusi rankena	Įleista rankena	Išsikišusi rankena
A	595	595	595	595
B	1 860 / 2 030	1 860 / 2 030	1 860 / 2 030	1 860 / 2 030
C	682	718	675	712
D	2 100	2 100	2 100	2 100
E	616	616	610	610
F	682	682	675	675
G	-	718	-	712
H	1 230	1 237	1 225	1 232
I	995	995	995	995

### PASTABA

- Aukščiau esančioje lentelėje pateikti matavimai yra apytiksliai.

## Aplinkos temperatūra

- Prietaisas pritaikytas veikti ribotame aplinkos temperatūros diapazone, kuris priklauso nuo klimato zonos.
- Sisetempatuuri võivad mõjutada seadme asukoht, ümbritsev õhutemperatuur, ukse avamise sagedus jne.
- Klimato klasė nurodyta ant identifikavimo duomenų etiketės.

Klimato klasė	Aplinkos temperatūros diapazonas, °C
SN (didesnis temperatūros diapazonas)	nuo +10 iki +32
N (vidutinė temperatūra)	nuo +16 iki +32
ST (subtropinio oro temperatūra)	nuo +16 iki +38
T (tropinio oro temperatūra)	nuo +16 iki +43 / nuo +10 iki +43*

\*Australija, Indija, Kenija

### PASTABA

Prietaisai, kurie priskiriami klasei nuo SN iki T, skirti naudoti 10–43 °C temperatūros aplinkoje.

## Naudojimo pastabos

- Naudotojai turi turėti omenyje, kad gali susidaryti šerkšnas, jei durelės ne visiškai uždaromos, vasaros metu yra didelė drėgmė arba jei dažnai atidaromos šaldiklio durelės.
- Patikrinkite, ar yra pakankamai vietos tarp maisto, laikomo ant lentynos arba durų krepšyje, kad durelės visiškai užsidarytų.
- Ilgai laikant atidarytas dureles, gali stipriai padidėti temperatūra prietaiso skyriuose.
- Jei šaldymo prietaisas ilgą laiką paliekamas tuščias, išjunkite prietaisą, atitirpinkite ledą, išvalykite ir nusausinkite bei palikite dureles atviras, kad viduje nesikauptų pelėsis.

## Energijos taupymo pasiūlymai

- Užtikrinkite, kad tarp laikomų maisto produktų yra pakankamai vietos. Tai leidžia tolygiai cirkuluoti šaltam orui ir sumažina sąskaitas už elektrą.
- Karštą maistą įdėkite tik jam atvėsus, norėdami išvengti rasojeimo ir šerkšno.
- Šaldiklio skyriuje laikydami maistą, šaldiklio temperatūrą nustatykite žemesnę, nei ant maisto nurodyta temperatūra.
- Nedėkite maisto prie šaldytuvo temperatūros jutiklio. Palikite bent 3 cm atstumą iki jutiklio.
- Atkreipkite dėmesį, kad temperatūros pakilimui po atitirpinimo prietaiso techninių duomenų skiltyje nurodytas leistinas diapazonas. Jei norite sumažinti galimą poveikį laikomam maistui dėl pakilusios temperatūros, sandarininkite arba apvyniokite laikomą maistą keliais sluoksniais.
- Prietaise įrengta automatinė atitirpinimo sistema užtikrina, kad normaliomis naudojimo sąlygomis šaldytuve nesikauptų ledas.
- Norint efektyviausiai naudoti energiją, visos vidinės dalys (pvz., durų lentynėlės, stalčiai, lentynos) turi būti savo pradinėse vietose.
- Nenustatykite žemesnės nei reikia prietaiso temperatūros.

## Efektyvus maisto laikymas

- Šaldytą arba atvėsintą maistą laikykite sandariose talpyklose.
- Patikrinkite galiojimo datą ir etiketę (laikymo instrukcijas), prieš laikydami maistą prietaise.
- Nelaikykite maisto ilgą laiką tarpa, į jis i e greitai sugenda žemoje temperatūroje.
- Atvėsintą arba šaldytą maistą sudėkite šaldytuve arba šaldiklyje iškart po įsigijimo.
- Šviežią mėsą ir žuvį laikykite šaldytuve tinkamose talpyklose, kad žuvis ir mėsa

nesiliestų su kitais produktais ir jų skystis nevarvėtų ant kitų produktų.

- Venkite pakartotinai užšaldyti maistą, kuris buvo visiškai atitirpęs. Dar kartą užšaldžius maistą, kuris buvo visiškai atitirpęs, pablogės jo skonis ir maistingumas.
- Nelaikykite daržovių, apvyniotų laikraščiu. Laikraščio spausdinimo medžiaga arba kitos pašalinės medžiagos gali ištepti ir užteršti maistą.
- Neperpildykite prietaiso. Perpildžius prietaisą šaltas oras negali tinkamai cirkuluoti.
- Nustačius ypač žemą maisto temperatūrą, jis gali užšalti. Nenustatykite žemesnės temperatūros, nei reikalinga tinkamai laikyti maistą.
- Kad būtų daugiau erdvės, galite išimti butelių lentyną, kiaušinių dėklą, ledo dėklą ir atverčiamą šviežių produktų stalčių.
- Maistas gali užšalti arba sugęsti, jei yra laikomas netinkamoje temperatūroje. Nustatykite šaldytuve tinkamą temperatūrą, skirtą maistui laikyti.

## Maksimalus šaldymo pajėgumas

- Skubaus užšaldymo funkcija nustato šaldiklio maksimalų šaldymo pajėgumą. Paprastai tai trunka iki 24 valandų, funkcija išsijungia automatiškai.
- Ruošiantis šaldyti maksimaliu pajėgumu, skubaus užšaldymo funkciją reikia įjungti likus septynioms valandoms prieš dedant šviežius produktus į šaldiklio skyrių.

## Maksimalaus maisto kiekio šaldymas

- Norint užtikrinti geresnę oro cirkuliaciją, įdėkite visus stalčius.
- Jei ketinama laikyti didelį maisto produktų kiekį, visus šaldiklio stalčius reikia išimti iš įrenginio ir maisto produktus dėti teisiu ant šaldiklio lentyno (ar lentynų).

## PASTABA

- Norėdami išimti stalčius, pirmiausiai iš stalčių išimkite maistą, tuomet atsargiai ištraukite stalčius. To nepadarius galima susižeisti arba pažeisti stalčius.
- Kiekvieno stalčiaus forma gali skirtis, įstatykite reikiama padėtimi.

## Temperatūros nustatymas

Taip nustatoma šaldytuvo arba šaldiklio temperatūra.

- Paspauskite mygtuką **Fridge** arba **Freezer** kad sureguliuotumėte temperatūrą.
- Galima reguliuoti temperatūrą
  - Šaldytuvai: nuo 1 °C iki 7 °C
  - Šaldiklis : nuo -15 °C iki -23 °C
- Pradinė nustatyta temperatūra.
  - Šaldytuvai: 3 °C
  - Šaldiklis: -18 °C

Faktinė vidinė temperatūra kinta atsižvelgiant į maisto būseną, nes rodoma nustatyta temperatūra yra tikslinė temperatūra, o ne faktinė temperatūra įrenginio viduje.

### PASTABA

- Nustatyta temperatūra, skirtingiems prietaisams, gali skirtis.
- Norint optimaliai išsaugoti maisto produktus, kiekviename skyriuje rekomenduojama padidinti arba sumažinti numatytąją temperatūrą 1 °C arba vienu lygiu.
- Palaukite 2 arba 3 valandas po prietaiso prijungimo prie lizdo prieš laikydami jame maistą.
- Kai norima gaminti ledą normalaus klimato sąlygomis, šaldiklio temperatūra turi būti nustatyta ties -18 °C ar mažiau.

## Aukštos temperatūros pavojaus signalas

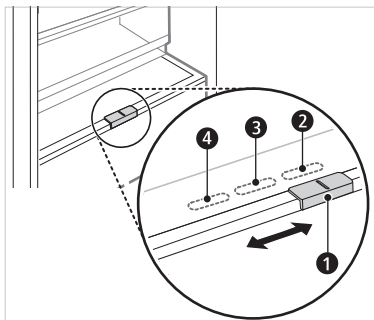
Jei dėl maitinimo trikties šaldiklio temperatūra tampa per aukšta, ima mirksėti šaldiklio temperatūros LED lemputė ir girdimas pavojaus signalas.

- Norėdami jį sustabdyti, paspauskite mygtuką **Freezer**.
- Kai temperatūra tampa pakankamai žema, mirksėjimas ir pavojaus signalas automatiškai sustoja.
- Ši funkcija suveikia:
  - kai įjungiamas maitinimas;
  - kai šaldiklio skyrius pernelyg iššyla;
  - kai ilgam nutrūksta maitinimo tiekimas;
  - kai į šaldiklio skyrių įdedamas didelis kiekis šilto maisto;
  - kai šaldiklio durys paliekamos atviros per ilgai arba per dažnai.

## Atverčiamas šviežių produktų skyrius ( \* )

Kaip ir atšaldymo skyriaus, šviežių produktų skyriaus temperatūrą galima reguliuoti paslenkant skyriaus priekyje esančią svirtelę ① bet kuria kryptimi.

Jei nustačius mėsai ar žuvims tinkamą temperatūrą bus laikomos daržovės, jos gali peršalti.



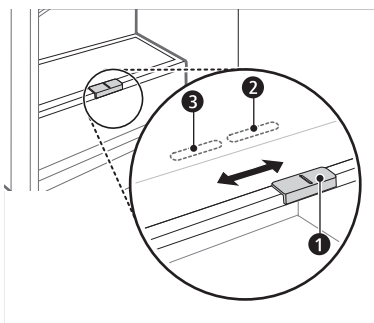
- ② daržovėms laikyti. (Rekomenduojama)
- ③ žuvims laikyti.
- ④ mėšai laikyti.

### PASTABA

- ( \* ): ši funkcija priklauso nuo įsigyto modelio.

## Šviežių daržovių stalčius ( \* )

Judinant rankenėlę galima reguliuoti daržovių skyriaus drėgmę ①.



- ② daržovėms laikyti. (Rekomenduojama)
- ③ vaisiams laikyti.

### PASTABA

- ( \* ): ši funkcija priklauso nuo įsigyto modelio.



## Maisto laikymo skyriai

### Maisto laikymas šaldytuvo skyriuje

#### • Šaldytuvo lentyna

- Čia laikomas atšaldytas maistas ir kiti produktai.
- Lentynos aukštą galima reguliuoti perkeliant lentyną į kito aukščio griovelius.
- Maistą, kuriame yra daugiau drėgmės, laikykite lentynos priekyje.
- Faktinis lentynų skaičius skirsis, priklausomai nuo modelio.

#### • Butelių lentyna (\*)

- Čia laikomi aukšti gėrimų buteliai ir talpyklos.

#### • Užlenkiama lentyna (\*)

- Čia laikomas atšaldytas maistas ir aukšti produktai.

#### • Šviežių daržovių stalčius (\*)

- Čia laikomi vaisiai ir daržovės; reguliuojant drėgmės valdiklį jie ilgiau išlieka švieži.
- Prietaiso komponentų išvaizda gali skirtis, priklausomai nuo modelio.

#### • Atverčiamas šviežių produktų skyrius (\*)

- Šiame atšaldymo skyriuje laikoma mėsa, žuvis ir daržovės. Šviežumą išlaikykite reguliuodami drėgmės valdiklį, esantį šaldytuvo skyriaus užpakalyje.
- Jei reikia daugiau vietos, atšaldymo skyrių galite naudoti be atšaldymo skyriaus stalčiaus.

#### • Perkeliamas kiaušinių dėklas

- Čia laikomi kiaušiniai.
- Dėklą galite kilnoti ir laikyti norimoje vietoje. Vis dėlto nenaudokite jo kaip ledukų indo ir nelaikykite viršutinėje šaldytuvo lentynoje arba ant daržovių stalčiaus.

#### • Šaldytuvo durų krepšys

- Čia galima laikyti mažus atšaldyto maisto paketus, gėrimus ir padažo talpyklas.

#### • Vandens dozatoriaus rezervuaras (\*)

- Čia laikomas vanduo, skirtas dozatoriui ar automatiniam ledo aparatui papildyti. Jį pripildyti reikia rankiniu būdu (tik prie vandentiekio nejungiamiems modeliams).

### Maisto laikymas šaldiklio skyriuje

#### • Ledukų dėklas

- Čia gaminamas ir laikomas ledas.
- Jei reikia daugiau vietos, galite išimti ledukų dėklą ar ledo kubelių kibirėlį.

#### • Šaldiklio stalčius

- Tai skirta ilgalaikiam šaldytų produktų saugojimui.
- Norint greitai užšaldyti maisto produktus, laikykite juos kairėje viršutinio stalčiaus pusėje. Maisto produktai greičiausiai užšals stalčiuje.

### PASTABA

- (\*): ši funkcija priklauso nuo įsigyto modelio.
- Daugiau informacijos apie kitus skyrius galite rasti [www.lg.com](http://www.lg.com) interneto svetainėje ir parsiųsti naudotojo vadovą.

## Valdymo skydelis

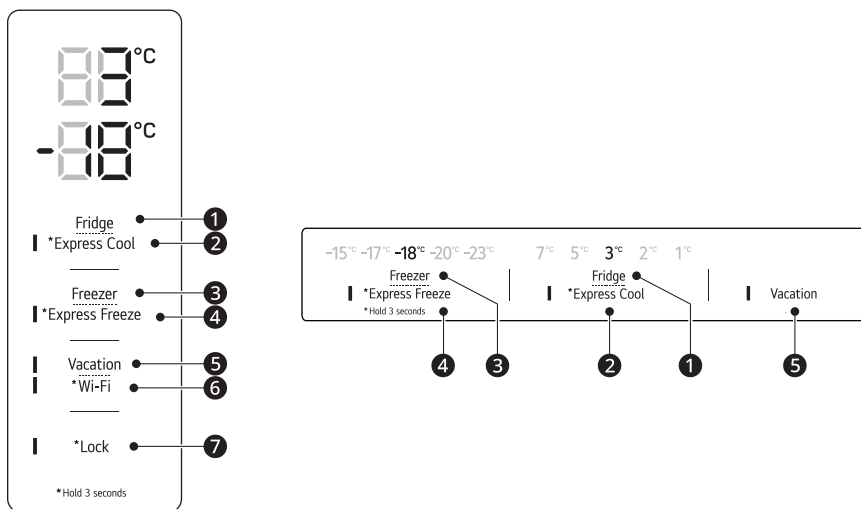
Valdymo skydelis gali skirtis priklausomai nuo modelio.

### Valdymo skydelis ir funkcijos

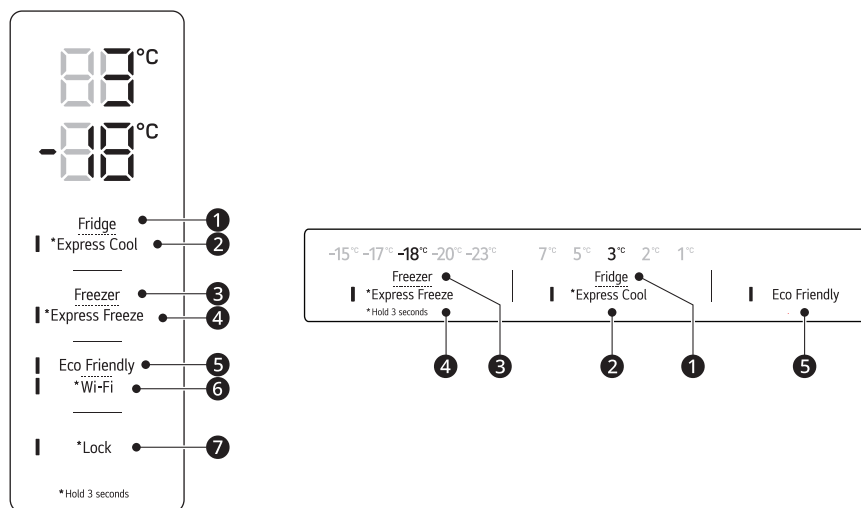
\*1 Šią funkciją turi tik kai kurie modeliai.

Valdymo skydą, priklausomai nuo modelio, galima rasti arba ant šaldytuvo durelių, arba šaldiklio viduje.

#### A tipas



#### B tipas



**1 Fridge**

Kelis kartus spauskite šį mygtuką, kad pasirinktumėte norimą temperatūrą tarp 1 °C ir 7 °C.

- Numatytoji šaldytuvo temperatūra yra 3 °C.

**2 Express Cool**

Naudojant šią funkciją, galima greitai atvėsinti didelį maisto kiekį – daržovių, vaisių ir pan.

- Ši funkcija įjungžiama ir išjungžiama kaskart 3 sekundėms nuspaudus mygtuką.

**3 Freezer**

Kelis kartus spauskite šį mygtuką, kad pasirinktumėte norimą temperatūrą tarp -15 °C ir -23 °C.

- Numatytoji šaldiklio temperatūra yra -18 °C.

**4 Express Freeze**

Ši funkcija gali greitai užšaldyti didelį kiekį ledo arba šaldyti maisto.

- Paspauskite „**Express Freeze**“ mygtuką, kad įjungtumėte funkciją 24 valandoms. Funkcija automatiškai išsijungia po 24 valandų.
- Ši funkcija įjungžiama ir išjungžiama kaskart 3 sekundėms nuspaudus mygtuką.
- Kai šis režimas įjungtas, gali būti skleidžiamas triukšmas ir padidėti energijos suvartojimas.

**5 Vacation**

Ši funkcija naudinga, kai esate išvykę atostogų. Kai ši funkcija įjungta, šaldytuvo temperatūra yra 7°C, o šaldiklio temperatūra -15°C. Kai ši funkcija išjungta, šaldytuvo ir šaldiklio temperatūra grįžta prie buvusios ankstesnės nustatytos temperatūros.

- Ši funkcija įjungžiama ir išjungžiama kaskart paspaudus mygtuką.
- Kai šis režimas įjungtas, kiti mygtukai, išskyrus **Lock** ir **Wi-Fi** neveiks.
- **Eco Friendly** funkcijos pavadinimas pakeistas į **Vacation**.

**⚠ ATSAUGIAI**

- Kai ši funkcija įjungta, atkreipkite dėmesį laikydami maisto produktus, kuriuos reikia laikyti žemesnėje nei numatytoje temperatūroje.
- Grįžę namo, nepamirškite išjungti šios funkcijos, kad atrakintumėte kitus mygtukus ir grįžtumėte į ankstesnius šaldytuvo temperatūros nustatymus.

**6 Wi-Fi\*1**

Šis mygtukas leidžia prijungti prietaisą prie namų „Wi-Fi“ tinklo. Žr. **SMART FUNCTIONS**, kad rastumėte informacijos, kaip pirmą kartą nustatyti programą **LG ThinQ**.

**7 Lock\*1**

Taip užrakinami valdymo skydelio mygtukai.

- Norėdami užrakinti valdymo skydo mygtukus, paspauskite ir palaikykite **Lock** mygtuką 3 sekundes ir funkcija bus aktyvuota.
- Norėdami išjungti funkciją, paspauskite ir palaikykite **Lock** mygtuką 3 sekundes, kol funkcija bus deaktiviuota.

**PASTABA**

- Norint optimaliai išsaugoti maisto produktus, kiekviename skyriuje rekomenduojama padidinti arba sumažinti numatytąją temperatūrą 1 °C arba vienu lygiu.
- Prietaiso viduje rodoma tikslinė, o ne faktinė temperatūra.
- Faktinė temperatūra prietaiso viduje priklauso nuo šių veiksnių: patalpos temperatūros, maisto kiekio ir kaip dažnai atidaromos durys, kur stovi prietaisas. Temperatūrą nustatykite atsižvelgdami į šiuos veiksnius.
- Taupydamas energiją, valdymo skydelis automatiškai išsijungs.
- Jei valant valdymo skydelį prie jo prisiliečiama pirštu arba oda, gali suveikti paliesto mygtuko funkcija.

## „LG ThinQ“ programa

Ši funkcija veikia tik tuose modeliuose, kuriuose yra „Wi-Fi“ funkcija.

Programa „LG ThinQ“ suteikia galimybę palaikyti ryšį su prietaisu, naudojant išmanųjį telefoną.

## „LG ThinQ“ programos charakteristikos

Sudarę išmaniojo telefono ryšį su prietaisu naudokitės patogiomis išmaniosiomis funkcijomis.

### „Smart Diagnosis“

- Jei naudojantis prietaisu kyla sunkumų, ši „Smart Diagnosis“ funkcija padės nustatyti problemą.

### Nuostatos

- Leidžia nustatyti įvairias prietaiso ir taikymo programos parinktis.

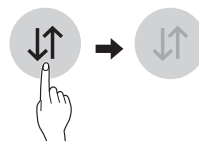
### PASTABA

- Jei pakeisite belaidžio ryšio maršruto parinktuvą, interneto paslaugų teikėją arba slaptažodį, pašalinkite užregistruotą prietaisą iš programėlės „LG ThinQ“ ir užregistruokite jį iš naujo.
- Programa gali būti keičiama iš anksto nepranešus vartotojams, siekiant pagerinti įrenginio veikimą.
- Funkcijos gali skirtis pagal modelį.

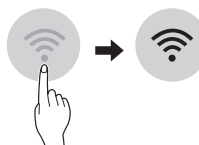
## Prieš naudojant „LG ThinQ“ programą

- 1 Patikrinkite atstumą tarp įrenginio ir belaidžio maršruto parinktuvo („Wi-Fi“ tinklas).
  - Jei atstumas tarp prietaiso ir belaidžio maršruto parinktuvo yra per didelis, signalas bus per silpnas. Gali prireikti daug laiko užregistruoti ar gali nepavykti įdiegti.


- 2 Išjunkite **Mobile data** (mobilieji duomenys) arba **Cellular data** (mobiliojo ryšio duomenys) savo išmaniajame telefone.



- 3 Prijunkite savo išmanųjį telefoną prie maršruto parinktuvo.



### PASTABA

- Norėdami patikrinti „Wi-Fi“ ryšį, įsitikinkite, kad valdymo skydelyje šviestų  piktograma.
- Prietaisas pritaikytas tik 2,4 GHz „Wi-Fi“ tinklams. Norėdami patikrinti savo tinklo dažnį, kreipkitės į savo interneto paslaugos teikėją arba vadovaukitės savo belaidžio maršruto parinktuvo vadovu.
- „LG ThinQ“ nėra atsakinga už jokių tinklo ryšio trukdžius ar gedimus ir klaidas, kylančias dėl tinklo ryšio.
- Jei kyla problemų prisijungiant prie „Wi-Fi“ tinklo, prietaisas gali būti per toli nuo maršruto parinktuvo. Įsigykite „Wi-Fi“ kartotuvą (intervalo plėstuvą), kad pagerintumėte „Wi-Fi“ signalo stiprumą.
- Gali nebūti „Wi-Fi“ ryšio arba jis gali būti pertrauktas dėl namų tinklo aplinkos.
- Tinklo ryšys gali tinkamai neveikti dėl interneto paslaugų teikėjo.
- Dėl aplinkinės belaidės aplinkos belaidis ryšys gali būti lėtas.
- Prietaisas negali būti užregistruotas dėl belaidžio signalo perdavimo problemų. Atjunkite prietaisą ir palaukite apie minutę, prieš bandydami dar kartą.
- Jei įjungta jūsų belaidžio maršruto parinktuvo užkardos funkcija, išjunkite šią funkciją arba pridėkite išimtį.
- Belaidžio tinklo pavadinimas (SSID) turi būti iš angliškų raidžių ir skaičių. (nenaudokite specialiųjų simbolių).


- Išmaniojo telefono sąsaja (UI) gali skirtis, priklausomai nuo mobiliosios operacinės sistemos (OS) ir gamintojo.
- Jei maršruto parinktuvo saugos protokolas nustatytas kaip **WEP**, gali nepavykti sukonfigūruoti tinklo. Prašom jį pakeisti į kitus saugos protokolus (rekomenduojamas **WPA2**) ir dar kartą registruoti produktą.

## „LG ThinQ“ programos įdiegimas

Išmaniajame telefone „**LG ThinQ**“ programą atsisiųskite iš „Google Play Store“ ir „Apple App Store“.

- Vykdykite instrukcijas, kad įdiegtumėte programą.

## Prisijungimas prie „Wi-Fi“

Mygtukas **Wi-Fi**, kai naudojamas su programa **LG ThinQ**, leidžia įrenginiui prisijungti prie namų „Wi-Fi“ tinklo. Piktograma  rodo įrenginio tinklo ryšio būklę. Piktograma šviečia, kai šaldytuvas prijungtas prie „Wi-Fi“ tinklo.


### Pirminis prietaiso registravimas

- Paleiskite programą „**LG ThinQ**“ ir vykdydami joje pateikiamus nurodymus užregistruokite prietaisą.

### Pakartotinis prietaiso registravimas arba kito naudotojo registravimas

- Paspauskite ir 3 sekundes palaikykite nuspaustą mygtuką „**Wi-Fi**“, kad belaidis ryšys laikinai išsijungtų. Paleiskite programą „**LG ThinQ**“ ir vykdydami joje pateikiamus nurodymus užregistruokite prietaisą.

## PASTABA

- Jei norite išjungti „Wi-Fi“ funkciją, paspauskite ir 3 sekundes palaikykite nuspaustą mygtuką **Wi-Fi**. Piktograma  išsijungs.

## Informacija apie atvirojo kodo programinės įrangos naudojimą

Norėdami gauti šaltinio kodą pagal GPL, LGPL, MPL ir kitas atvirojo kodo licencijas, kurios įpareigos atskleisti šiame gaminyje esantį šaltinio kodą ir susipažinti su visomis nurodytomis licencijos sąlygomis, pranešimais apie autorių teises ir kitais susijusiais dokumentais, apsilankykite <https://opensource.lge.com>. „LGE Electronics“ pateiks atvirąjį kodą CD-ROM laikmenoje sumokėjus atitinkamas išlaidas padengiančią mokestį (laikmenos, siuntimo ir kt. išlaidos) ir paštu pateikus prašymą [opensource@lge.com](mailto:opensource@lge.com).

Šis pasiūlymas galioja visiems, gavusiems šią informaciją, trejus metus po paskutinio šio gaminio išsiuntimo.

## Valymo pastabos

- Išimant lentyną arba stalčius iš prietaiso vidaus, išimkite visą maistą iš lentynų arba stalčių, norėdami išvengti sužalojimo ir produkto pažeidimų.
  - Priešingu atveju, galite susižaloti dėl laikomo maisto svorio.
- Jei išorines prietaiso oro angas valote siurbliu, ištraukite maitinimo laidą iš elektros lizdo, norėdami išvengti statinės iškrovos, galinčios sugadinti elektroniką arba sukelti elektros smūgį.
- Atkabinkite lentynas ir stalčius ir išvalykite juos vandeniu, tada pakankamai išdžiovinkite, prieš įdėdami atgal.
- Reguliariai nuvalykite durelių tarpiklius šlapiu minkštu rankšluosčiu.
- Išsiliejimus ir dėmes ant durų krepšio reikia nuvalyti, nes jie gali pabloginti laikymo krepšyje galimybes ir net jį pažeisti.
- Po valymo patikrinkite, ar maitinimo laidas pažeistas, šiltas arba netinkamai prijungtas.
- Oro angas prietaiso išorėje palaikykite švarias.
  - Užkimštos oro angos gali sukelti gaisrą arba pakenkti prietaisui.
- Kai valote prietaiso išorinius ar vidinius paviršius, nenaudokite šurkštaus šepetio, dantų pastos ar degių medžiagų. Nenaudokite valymo priemonių, kurių sudėtyje yra degių medžiagų.
  - Taip galite išblukinti ar pažeisti prietaisą.
  - Degiosios medžiagos: alkoholis (etanolis, metanolis, izopropilo alkoholis, izobutilo alkoholis ir t. t.), skiediklis, baliklis, benzenas, degusis skystis, abrazyvinės medžiagos ir t. t.
- Prietaiso išorę valykite švaria kempine arba minkštu audeklu ir švelnia valymo priemone šiltame vandenyje. Nenaudokite abrazyvinių arba šurkščių valiklių. Kruopščiai išdžiovinkite minkštu audeklu.
- Niekada neplaukite lentynų arba talpyklų indaplovėje.
  - Dalys gali deformuotis dėl karščio.
- Reguliariai valykite paviršius, kuris liečiasi su maistu, taip pat išpylimo sistemas, kurias galite pasiekti.
- Jei prietaise įrengta LED lemputė, nuimkite lemputės gaubtelio ir LED lemputės, bandydami suremontuoti ar patikrinti. Kreipkitės į „LG Electronics“ klientų informavimo centrą.

## Seno prietaiso utilizavimas



- Išbrauktos šiukšlių dėžės simbolis rodo, kad elektros ir elektronikos įrangos atliekos (EEJA) turėtų būti utilizuojamos atskirai nuo komunalinių atliekų.
- Senoje elektrinėje įrangoje gali būti pavojingų medžiagų, taigi tinkamas seno prietaiso utilizavimas padės apsaugoti nuo galimų neigiamų pasekmių aplinkai ir žmonių sveikatai. Jūsų sename prietaise gali būti dalių, kurias galima panaudoti dar kartą taisant kitą įrangą ir kitų vertingų medžiagų, kurios gali būti perdirbamos siekiant tausoti ribotus išteklius.
- Savo prietaisą galite nugabenti į parduotuvę, kurioje įrangą įsigijote, arba susisiekti su vietos valdžios atliekų tarnyba norėdami gauti artimiausio EEJA surinkimo vietos informaciją. Norėdami gauti daugiau informacijos savo šalyje, apsilankykite [www.lg.com/global/recycling](http://www.lg.com/global/recycling)

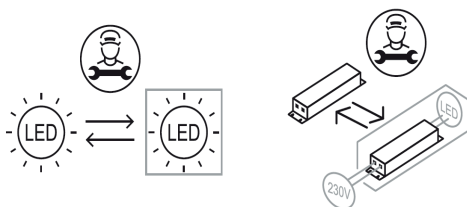
## Klientų aptarnavimas ir priežiūra

Kreipkitės į „LG Electronics“ klientų informacijos centrą.

- Norėdami rasti informacijos apie LG įgaliotą aptarnavimo centrą, apsilankykite mūsų svetainėje [www.lg.com](http://www.lg.com).
- Išmontuoti, taisyti ar modifikuoti prietaisą gali tik kvalifikuoti LG įgalioto aptarnavimo centro techninės priežiūros darbuotojai.
- Minimalus šio šaldymo prietaiso garantijos laikotarpis yra 24 mėnesiai.
- Norėdami įsigyti atsarginių dalių, susisiekite su „LG Electronics“ klientų informavimo centru arba apsilankykite mūsų svetainėje [www.lg.com](http://www.lg.com).
- Atsargines dalis, nurodytas Reglamente ES 2019/2019, galima įsigyti 7 metus (10 metų galima įsigyti tik durų tarpiklius).

## PASTABA

- Norėdami gauti daugiau informacijos apie prietaiso energijos vartojimo efektyvumą, apsilankykite <https://ec.europa.eu> ir ieškokite pagal modelio pavadinimą (galioja nuo 2021 m. kovo 1 d.).
- Reglamentas ES 2019/2019, galiojantis nuo 2021 m. kovo 1 d., yra susijęs su energijos vartojimo efektyvumo klasėmis pagal Reglamentą ES 2019/2016.
- Nuskaitykite QR kodą ant prietaiso energijos etiketės, kurioje yra internetinė nuoroda į informaciją, susijusią su prietaiso veikimu, ES EPREL duomenų bazėje. Saugokite energijos etiketę ir visus kitus su prietaisu pateiktus dokumentus (galiojančius nuo 2021 m. kovo 1 d.).
- Modelio pavadinimas nurodytas prietaiso etiketėje.
- Šiame gaminyje yra G energijos vartojimo efektyvumo klasės šviesos šaltinis.





LIETOTĀJA ROKASGRĀMATA

# LEDUSSKAPIS UN SALDĒTAVA

**Pirms ierīces lietošanas rūpīgi izlasiet šo lietotāja rokasgrāmatu un vienmēr glabāji to pieejamā vietā informācijas iegūšanai.**

[www.lg.com](http://www.lg.com)

Plašāku informāciju skatiet lietošanas rokasgrāmatā LG tīmekļa vietnē.  
Autortiesības © 2019-2023 LG Electronics. Visas tiesības aizsargātas



# SATURA RĀDĪTĀJS

Šajā rokasgrāmatā var būt iekļauti attēli vai informācija, kas atšķiras no jūsu iegādātā modeļa.

Ražotājam ir tiesības pārskatīt šo rokasgrāmatu.

<b>DROŠĪBAS NORĀDĪJUMI.....</b>	<b>3</b>
Svarīgi drošības norādījumi.....	3
<b>UZSTĀDĪŠANA.....</b>	<b>10</b>
Izmēri un nepieciešamie attālumi līdz citiem priekšmetiem.....	10
Apkārtējā temperatūra.....	10
<b>EKSPLUATĀCIJA.....</b>	<b>11</b>
Norādījumi ekspluatācijai.....	11
Vēsuma līmeņa pārveidotājs ( * ).....	12
Svaigo dārzeņu atvilktnē ( * ).....	12
Vadības panelis.....	14
<b>VIEDĀS FUNKCIJAS.....</b>	<b>16</b>
Lietojumprogramma LG ThinQ.....	16
<b>APKOPE.....</b>	<b>18</b>
Norādījumi par tīrīšanu.....	18
Jūsu vecās ierīces likvidēšana.....	18
<b>TRAUCĒJUMU MEKLĒŠANA.....</b>	<b>19</b>

## Ši ir lietotāja rokasgrāmatas Traucējumu meklēšana īsā versija.

Papildus informācijai, lūdzu, apmeklējiet LG mājaslapu <http://www.lg.com>



Tālāk izklāstīto drošības vadlīniju mērķis ir novērst neparedzētus riskus vai bojājumus, kas izriet no nedrošas vai nepareizas izstrādājuma ekspluatācijas.

Kā redzams tālāk, vadlīnijās tiek lietoti apzīmējumi “BRĪDINĀJUMS!” un “UZMANĪBU!”.

 Šis simbols norāda uz lietām un darbībām, kas var radīt risku. Uzmanīgi izlasiet ar šo simbolu apzīmēto daļu un ievērojiet norādījumus, tādējādi novēršot risku.

## BRĪDINĀJUMS!

Šis apzīmējums norāda, ka, neievērojot norādījumus, iespējams gūt smagus miesas bojājumus vai var iestāties nāve.

## UZMANĪBU!

Šis apzīmējums norāda, ka, neievērojot norādījumus, iespējams gūt vieglus miesas bojājumus vai iespējami izstrādājuma bojājumi.

## Svarīgi drošības norādījumi

### BRĪDINĀJUMS!

Lai mazinātu ugunsgrēka, elektriskās strāvas trieciena vai miesas bojājumu gūšanas risku, ievērojiet galvenos drošības pasākumus, tostarp šādus:

#### Bērni māsaimniecībā

- Nav paredzēts, ka šo iekārtu izmanto personas (tostarp bērni) ar pazeminātām fiziskām, sensorām vai garīgām spējām vai nepietiekamu pieredzi un zināšanām, izņemot gadījumus, ja šīs personas rīkojas par viņu drošību atbildīgās personas uzraudzībā vai saskaņā ar šādas personas norādījumiem par iekārtas izmantošanu. Bērni ir jāuzrauga, lai nodrošinātu, ka viņi nespēlējas ar iekārtu.
- Ja iekārta ir aprīkota ar slēdzeni (tikai dažiem modeļiem), uzglabājiet atslēgu bērniem nepieejamā vietā.

## Izmantošanai Eiropā

• Šo iekārtu var izmantot bērni no 8 gadu vecuma, kā arī personas ar pazeminātām fiziskām, sensorām vai garīgām spējām vai nepietiekamu pieredzi un zināšanām, ja šīm personām tiek nodrošināta uzraudzība vai sniegti norādījumi par iekārtas izmantošanu drošā veidā un šīs personas saprot iespējamo apdraudējumu. Bērni nedrīkst spēlēties ar iekārtu. Bērni bez uzraudzības nedrīkst veikt tīrīšanu un apkopi.

• Bērni vecumā no 3 līdz 8 gadiem drīkst aukstumiekārtās ievietot produktus un izņemt tos.

## Uzstādīšana

• Šī iekārta jāpārvadā vismaz diviem vai vairāk cilvēkiem, stingri turot iekārtu.

• Pārliecinieties, ka kontaktlīdzda ir pareizi zemēta un uz strāvas vada esošais zemējuma zars nav bojāts vai izņemts no kontaktdakšas. Sīkāku informāciju par zemējumu meklējiet LG Electronics klientu informācijas centrā.

• Iekārtas strāvas vadam ir zemējuma dzīsla un kontaktdakša ar zemējumu. Kontaktdakša ir jāiesprauž atbilstošā kontaktlīdzdā, kas ir uzstādīta un zemēta saskaņā ar valstī spēkā esošajām normām un noteikumiem.

• Ja strāvas vads ir bojāts vai kontaktlīdzdas atvere ir valīga, nelietojiet šo strāvas vadu un sazinieties ar pilnvarotu tehniskā atbalsta centru.

• Nepievienojiet iekārtu adapterim ar vairākām ligzdām, kuram nav barošanas kabelis (uzstādīts).

• Nepārveidojiet un nepagariniet strāvas vadu.

• Iekārtai jābūt pievienotai pie īpaši paredzētas barošanas līnijas, kurai ir atsevišķi drošinātāji.

• Nelietojiet sadalītāju ar vairākām ligzdām, kas nav pareizi iezemēts (pārnēsājams). Ja tiek izmantots pareizi iezemēts sadalītājs ar vairākām ligzdām (pārnēsājams), lietojiet tādu sadalītāju, kura pieļaujamā strāva atbilst iekārtas strāvas nominālam vai ir lielāka, un pievienojiet sadalītājam tikai iekārtu.

• Uzstādiet iekārtu vietā, kurā iekārtas kontaktdakšu var viegli atvienot no kontaktlīdzdas.

• Nodrošiniet, ka kontaktdakša nav jāiesprauž virzienā uz augšu un ka iekārta nebalstās pret kontaktdakšu.

• Uzstādiet iekārtu uz cietas un līdzenas virsmas.

• Neuzstādiet iekārtu mitrā un putekļainā vietā. Neuzstādiet un neuzglabājiet iekārtu ārpus telpām vai telpā, kas ir pakļauta nepiemērotiem laika apstākļiem, piem., tiešiem saules stariem, vējam, lietum vai temperatūrai, kas ir zemāka par 0 °C.

- Nenovietojiet iekārtu vietā, kur to tieši apspīd saule, un neļaujiet uz to iedarboties siltumam no sildierīcēm, piem., plītiem vai sildītājiem.
- Uzstādot iekārtu, nodrošiniet, lai tās aizmugure būtu aizsegta.
- Uzstādot vai demontējot iekārtu, nodrošiniet, lai tai neizkristu durvis.
- Uzstādot vai demontējot iekārtas durvis, nodrošiniet, lai netiktu iespiests, saspriests vai sabojāts strāvas vads.
- Nepievienojiet spraudņu adapteri vai citus piederumus strāvas kontaktligzdas.

### **Ekspluatācija**

- Nelietojiet ierīci citā nolūkā (medicīnisku vai eksperimentālu materiālu uzglabāšanai vai transportēšanai) kā tikai mājāsaimniecībā pārtikas uzglabāšanai.
- Spēcīga negaisa laikā vai, ja ilgstoši nelietojat iekārtu, atvienojiet kontaktdakšu.
- Neaiztieciat kontaktdakšu vai iekārtas vadības pulti ar mitrām rokām.
- Vadu nedrīkst pārmērīgi salocīt vai novietot uz tā smagus priekšmetus.
- Ja iekārtas elektriskajās daļās iekļūst ūdens, atvienojiet kontaktdakšu un sazinieties ar LG Electronics tehniskā atbalsta centru.
- Neturiet rokas un nenovietojiet metāla priekšmetus zonā, kas izdala auksto gaisu, kā arī ierīces aizmugurē uz apvalka vai siltumu izdalošā režģa.
- Nelietojiet pārmērīgu spēku vai spiedienu uz iekārtas aizmugurējā apvalka.
- Iekārtā nedrīkst likt dzīvas būtnes, piemēram, mājdzīvniekus.
- Atverot vai aizverot ierīces durvis, pārlicinieties, vai tuvumā nav bērnu. Durvis var bērnu nogāzt un savainot. Neļaujiet cilvēkiem karāties jebkurās no iekārtas durvīm, jo rezultātā iekārta var apgāzties un radīt smagas traumas.
- Izvairieties no riska, ka bērns var tikt iesprostots iekārtā. Iekārtā iesprostots bērns var nosmakt.
- Nenovietojiet uz iekārtas smagus un trauslas priekšmetus, ar šķidrumu pildītus traukus, viegli uzliesmojošas vielas vai objektus (sveces, lampas u.c.), kā arī apkures ierīces (piemēram, krāsnis, sildītāji, u.c.).
- Ja rodas gāzes noplūde (izobutāna, propāna, dabīgās gāzes u.c.), nepieskarities iekārtai vai kontaktdakšai un nekavējoties

izvēdiniet telpu. Šajā iekārtā tiek lietots gāzveida aukstumaģents (izobutāns R600a). Lai arī iekārtā tiek izmantots neliels gāzes daudzums, tomēr tā ir viegli uzliesmojoša gāze. Iekārtas transportēšanas, uzstādīšanas vai ekspluatācijas laikā radusies gāzes noplūde var izraisīt ugunsgrēku, sprādzienu vai traumas, ja radušās dzirksteles.

- Neuzglabājiet ierīces tuvumā viegli uzliesmojošas vai ugunsnedrošas vielas (ēteri, benzolu, spirtu, kimikālijas, sašķidrināto naftas gāzi, insekticīdus, gaisa atsvaidzinātājus, kosmētikas līdzekļus u.c.).
- Ja konstatējat no iekārtas plūstošu neparastu skaņu, aromātu vai dūmus, nekavējoties atvienojiet kontaktdakšu un sazinieties ar LG Electronics tehniskā atbalsta centru.
- Iepildiet dzeramo ūdeni tikai ledus ražotāja vai dozētāja ūdens tvertnē.
- Nebojājiet dzesēšanas sistēmas caurules.
- Neievietojiet iekārtas iekšpusē elektroniskas ierīces (piem., sildierīces vai mobilos telefonus).

## Apkope

- Pirms iekārtas tīrīšanas vai iekšējās spuldzītes (ja ir uzstādīta) nomaiņas atvienojiet strāvas vadu.
- Pēc pilnīgas mitruma un putekļu notīrīšanas uzmanīgi ievietojiet kontaktdakšu kontaktligzdā.
- Nekādā gadījumā neatvienojiet iekārtu, raujot aiz strāvas vada. Vienmēr cieši satveriet kontaktdakšu un taisni izraujiet no kontaktligzdas.
- Neizsmidziniet ūdeni vai uzliesmojošas vielas (zobu pasta, alkohols, šķīdinātājs, benzols, uzliesmojošs šķidrums, abrazīvs materiāls u.c.) iekārtas tuvumā tās tīrīšanas laikā.
- Neīrīet iekārtu ar suku, drānu vai sūkli, kuram ir raupja virsma vai kas ir izgatavots no metāliska materiāla.
- Iekārtu drīkst izjaukt, remontēt vai pārveidot tikai apmācīts LG Electronics tehniskā atbalsta centra remonta darbu speciālists. Ja iekārta jāpārvieta un jāuzstāda citā vietā, sazinieties ar LG Electronics klientu informācijas centru.
- Iekārtas iekšpusē nosusināšanai nelietojiet matu fēnu un neievietojiet tajā sveci, lai novērstu smaku.
- Atkausēšanas procesa paātrināšanai nelietojiet mehāniskas ierīces vai citus līdzekļus.

### **Utilizācija**

- Utilizējot ierīci, izņemiet durvju paplāksni, bet atstājiet vietās plauktus un grozus un neļaujiet bērniem piekļūt iekārtai.
- Visus iepakojuma materiālus (piem., plastmasas maisus un putustiroļu) utilizējiet bērniem nepieejamā vietā. Iepakojuma materiāli var izraisīt nosmakšanu.

### **Tehniskā drošība**

- Sekojiet, lai netiktu aizsprostotas iekārtas korpusā vai iebūvētajā struktūrā esošās ventilācijas atveres.
- Nelietojiet elektroierīces ledusskapja iekšienē.
- Iekārtā lietotā dzesētājviela un izolējošā gāze jāutilizē atbilstoši ģi pašām utilizācijas procedūram. Pirms to utilizēšanas konsultējieties ar apkalpojošo speciālistu vai līdzīgi kvalificētu personu.
- No caurulēm izplūstoša dzesētājviela var aizdegties vai izraisīt sprādzienu.
- Jūsu konkrētās dzesētājvielas daudzums ir norādīts uz iekārtas iekšpusē esošās datu plāksnītes.
- Nekādā gadījumā neiedarbiniet iekārtu, ja tai ir bojājuma pazīmes. Šaubu gadījumā konsultējieties ar izplatītāju.
- Šī iekārta ir paredzēta tikai lietošanai mājāsaimniecībā un līdzīgiem pielietojumiem. To nedrīkst izmantot komerciālos vai sabiedriskās ēdināšanas pielietojumos vai pārvietojamā vidē, piem., furgonā vai laivā.
- Neievietojiet šajā ierīcē sprādzienbīstamas vielas, piem., aerosola flakonus ar uzliesmojošu propelentu.
- Šī saldēšanas iekārta nav paredzēta tik izmantota kā iebūvēta iekārta.

## Ugunsgrēka risks un uzliesmojoši materiāli



Šis simbols brīdina par uzliesmojošiem materiāliem, kas neuzmanīgas rīcības rezultātā var aizdegties un izraisīt ugunsgrēku.

- Šajā iekārtā ir neliels daudzums izobutāna aukstumaģenta (R600a), taču tas ir arī viegli uzliesmojošs. Transportējot un uzstādot iekārtu, jānodrošina, ka netiek bojātas dzesēšanas sistēmas daļas.
- Ja ir konstatēta noplūde, izvairieties no atklātas liesmas vai potenciāliem aizdegšanās avotiem un vairākas minūtes vēdiniet telpu, kurā atrodas iekārta. Lai nepieļautu uzliesmojoša gāzes un gaisa maisījuma izveidošanos tad, ja dzesēšanas sistēmā notiek noplūde, telpas, kur atrodas ledusskapis, izmēram jāatbilst lietotās dzesētājvielas daudzumam. Uz katrēm 8 g iekārtā esošās R600a dzesētājvielas jānodrošina vismaz 1 m<sup>2</sup> telpas.
- Novietojot iekārtu, pārlicinieties, ka nav iespiests vai bojāts elektrības vads.
- Nenovietojiet iekārtas aizmuģurē vairākus pārnēsājamus kontaktligzdu sadalītājus vai pārnēsājamus elektrības vadu pagarinātājus.

## **⚠ UZMANĪBU!**

**Lai, lietojot produktu, samazinātu risku cilvēkiem gūt nelielas traumas, radīt darbības traucējumus vai produkta vai īpašuma bojājumus, ievērojiet pamata drošības pasākumus, tostarp tālāk sniegtos norādījumus:**

### **Uzstādīšana**

- Transportēšanas laikā nesašķiebiet ierīci slīpi, lai to vilktu vai stumtu.
- Pārliecinieties, ka jūsu ekstremitātes, piemēram, roka vai kāja, neiesprūst iekārtā tās pārvietošanas laikā.

### **Ekspluatācija**

- Neaizskariet ar mitrām rokām saldētāja nodalījumā ievietotu sasaldētu pārtiku vai metāla daļas. Tā varat gūt apsaldējumus.
- Nenovietojiet stikla taru, pudeles vai bundžas (it īpaši tās, kurās ir gāzēti dzērieni) saldēšanas vai ledus uzglabāšanas nodalījumā (tostarp arī uz plauktiem), ja temperatūra tajā var kļūt zemāka par sasaldēšanas temperatūru.
- Rūdītais stikls iekārtas durvju priekšpusē vai uz plauktiem var tikt sabojāts trieciena rezultātā. Ja tas ir saplīsis, neaiztieciet to ar rokām.
- Neieķerieties iekārtas durvīs, nodalījumos un plauktos un nerāpīties uz tiem.
- Neglabājiet durvju plauktos lielu daudzumu ūdens pudeļu vai uzskodu trauku.
- Nepieļaujiet, ka dzīvnieki skrubina strāvas kabeli vai ūdens šļūteni.
- Neatveriet un neaizveriet iekārtas durvis pārlieku spēcīgi.
- Ja iekārtas durvis ir bojātas vai nedarbojas pareizi, pārtrauciet lietot to un sazinieties ar autorizētu tehniskās apkopes centru.
- Netīriet ar siltu ūdeni stikla plauktus vai vākus, ja tie ir auksti.
- Nekādā gadījumā neēdiet saldētu ēdienu tūlīt pēc tā izņemšanas no saldētavas.
- Pārliecinies, ka jūsu ekstremitātes, piemēram, roka vai kāja, neiesprūst iekārtā atverot iekārtas durvis.

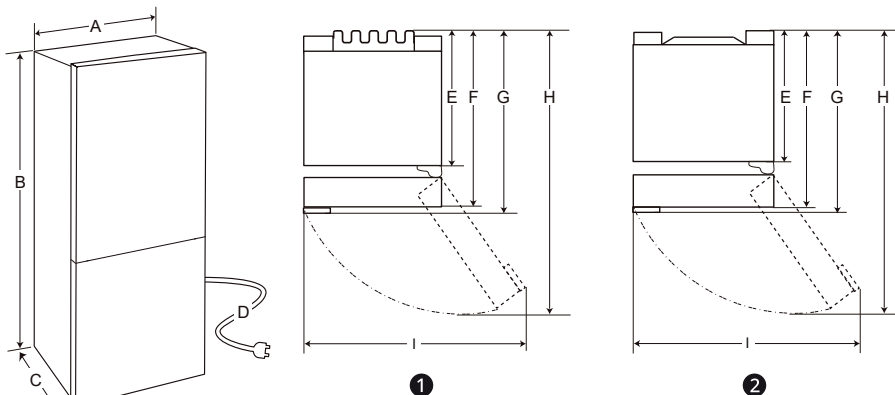
### **Apkope**

- Neievietojiet plauktus otrādi. Tie var izkrist.
- Lai uzzinātu, kā no iekārtas noņemt apsarmojumu, sazinieties ar LG Electronics klientu informācijas centru.



## Izmēri un nepieciešamie attālumi līdz citiem priekšmetiem

Pārāk mazs attālums līdz apkārtējiem priekšmetiem var izraisīt saldēšanas spējas pasliktināšanos un palielinātus izdevumus par elektrību. Kad uzstādi ierīci, atstājiet vismaz 50 mm lielu attālumu līdz visām blakus esošajām sienām.



	1		2	
	Izmērs [mm]			
	legremdēts rokturis	Stieņveida rokturis	legremdēts rokturis	Stieņveida rokturis
A	595	595	595	595
B	1 860 / 2 030	1 860 / 2 030	1 860 / 2 030	1 860 / 2 030
C	682	718	675	712
D	2 100	2 100	2 100	2 100
E	616	616	610	610
F	682	682	675	675
G	-	718	-	712
H	1 230	1 237	1 225	1 232
I	995	995	995	995

### PIEZĪME

- Mērījumi augstāk esošajā tabulā ir aptuveni.

### Apkārtējā temperatūra

- Ierīce ir izstrādāta tā, lai atkarībā no klimata zonas darbotos noteiktā apkārtējās temperatūras diapazonā.
- Iekšējo temperatūru var ietekmēt ierīces atrašanās vieta, apkārtējā temperatūra, durvju atvēršanas biežums un citi apstākļi.
- Klimata klasi var atrast uz tehnisko datu plāksnes.

Klimata klase	Apkārtējās temperatūras diapazons, °C
SN (Paplašinātas temperatūras diapazona)	+10 – +32
N (Mērena)	+16 – +32
ST (Subtropu)	+16 – +38
T (Tropu)	+16 - +43 / +10 - +43*

\*Austrālija, Indija, Kenija

### PIEZĪME

Iekārtas ar apzīmējumu no SN līdz T ir paredzētas izmantošanai apkārtējās vides temperatūrā no 10 °C līdz 43 °C.

## Norādījumi ekspluatācijai

- Lietotājiem jāievēro, ka, ja durvis nav pilnībā aizvērtas vai ja vasarā ir paaugstināts mitrums, vai saldētavas durvis bieži tiek atvērtas, var veidoties apsarmojums.
- Nodrošiniet, ka starp plauktā vai durvju grozā uzglabāto pārtiku ir pietiekams attālums, lai varētu pilnībā aizvērt durvis.
- Durvju atvēršana uz ilgāku laiku var iekārtas nodalījumos izraisīt ievērojamu temperatūras paaugstināšanos.
- Ja aukstumiekārta ilgāku laiku tiek atstāta tukša, izslēdziet to, atslēdziet, iztīriet, izslaukiet un atstājiet durvis atvērtas, lai iekārtā novērstu pelējuma veidošanos.

## Ieteikums enerģijas taupīšanai

- Nodrošiniet, ka starp uzglabāto pārtiku ir pietiekams atstatums. Tas ļaus vienmērīgi riņķot aukstajam gaisam un pazeminās elektrības patēriņu.
- Lai novērstu rasu un apsarmojumu, karstu pārtiku uzglabāiet tikai pēc tam, kad tā ir atdzesēta.
- Ievietojot saldētavā pārtiku, iestatiet zemāku saldētavas temperatūru, nekā norādīts uz pārtikas produktu.
- Nenovietojiet ēdienu ledusskapja temperatūras sensora tuvumā. Saglabājiet vismaz 3 cm atstatumu no sensora.
- Ievērojiet, ka iekārtas tehniskajos datos ir noteikta pieļaujamā temperatūras paaugstināšanās amplitūda pēc atfaldināšanas. Ja vēlaties samazināt ietekmi, ko temperatūras paaugstināšanās var atstāt uz pārtikas uzglabāšanu, cieši noslēdziet iepakojumu vai ietiniet uzglabāto pārtiku vairākās iepakojuma kārtās.
- Ierīces automātiskā atkausēšanas sistēma nodrošina, ka normālas darbības apstākļos tās nodalījumi neapledo.
- Lai pēc iespējas efektīvāk izmantotu enerģiju, turiet visas iekšējās daļas (piem., durvju tvertnes, atvilktnes un plauktus) to sākotnējā vietā.
- Neiestatiet zemāku iekārtas temperatūru, kā nepieciešams.

## Efektīva pārtikas uzglabāšana

- Sasaldētu pārtiku vai atdzesētu pārtiku uzglabāiet noslēgtos traukos.
- Pirms pārtikas ievietošanas iekārtā pārbaudiet derīguma termiņu un etiķeti (uzglabāšanas norādes).
- Neuzglabāiet pārtiku ilgu laiku posmu, ja tā zaimā temperatūrā ātri bojājas.

- Pēc atdzesētās pārtikas vai saldētās pārtikas iegādes nekavējoties ievietojiet to ledusskapī vai saldētavā.
- Svaigu gaļu un zivis ledusskapī uzglabāiet piemērotos traukos, lai šie produkti nesaskartos ar citu pārtiku vai nepilētu uz tās.
- Izvairieties sasaldēt pārtiku, kas jau bijusi pilnībā atkususi. Atkārtoti sasaldējot pārtiku, kas bijusi pilnībā atkususi, pazemināsies tās garša un uzturvērtība.
- Neuzglabāiet laikrakstā ietītus dārzeņus. Laikraksta druka vai citas nevēlamas vielas var notraipīt un piesārņot ēdienu.
- Nepārpildiet iekārtu. Ja ierīce ir pārpildīta, nenotiek pareiza aukstā gaisa cirkulācija.
- Ja pārtikas uzglabāšanai iestatīta pārmērīgi zema temperatūra, pārtika var sasalt. Neiestatiet temperatūru, kas ir zemāka par atbilstošai pārtikas produktu uzglabāšanai paredzēto temperatūru.
- Lai iegūtu vairāk vietas, varat izņemt pudeļu režģi, olu paplāti un vēsuma līmeņa pārveidotāja atvilktni.
- Pārtika var sasalt vai sabojāties, ja to uzglabā nepareizā temperatūrā. Iestatiet ledusskapī pareizo uzglabājamās pārtikas temperatūru.

## Maksimālā saldēšanas jauda

- Ātrās saldēšanas funkcija iestatīs saldētavu uz maksimālo saldēšanas jaudu. Parasti tam nepieciešams līdz 24 stundām ilgs laika posms, un tā automātiski izslēdzas.
- Ja izmanto maksimālo saldēšanas jaudu, ātrās saldēšanas funkcija jāieslēdz septiņas stundas, pirms saldētāja nodalījumā tiek ievietoti svaigi produkti.

## Maksimālā pārtikas daudzuma sasaldēšana

- Lai gaisa cirkulācija būtu labāka, ievietojiet visas atvilktnes.
- Ja nepieciešams uzglabāt lielu pārtikas daudzumu, no iekārtas jāizņem visas saldētavas atvilktnes un pārtikas produkti jāsaliek tieši saldētavas plauktā (vai plauktos) saldētavas nodalījumā.

## PIEZĪME

- Lai izņemtu atvilktnes, vispirms izņemiet no atvilktnēm pārtiku un pēc tam uzmanīgi izvelciet atvilktnes; pretējā gadījumā iespējams gūt traumas vai sabojāt atvilktnes.

- Katras atvilktnes forma var atšķirties, ievietojot tās pareizajā pozīcijā.

## Temperatūras iestatīšana

Ar to iestata ledusskapja temperatūru vai saldētavas temperatūru.

- Lai noregulētu temperatūru, piespiediet pogu **Fridge** vai pogu **Freezer**.
- Temperatūra ir regulējama.
  - Ledusskapis: no 1 °C no 7 °C
  - Saldētava: no -15 °C no -23 °C
- Sākotnēji iestatītās temperatūras vērtības.
  - Ledusskapis: 3 °C
  - Saldētava: -18 °C

Faktiskā iekšējā temperatūra var būt atšķirīga atkarībā no pārtikas stāvokļa, jo norādītā iestatījuma temperatūra ir mērķa temperatūra, nevis faktiskā temperatūra iekārtas iekšpusē.

### PIEZĪME

- Noklusētais temperatūras iestatījums dažādām iekārtām var atšķirties.
- Lai nodrošinātu optimālu pārtikas saglabāšanu, katram nodalījumam ieteicams palielināt vai samazināt par 1 °C vai vienu līmeni no noklusējuma temperatūras.
- Pēc iekārtas pievienošanas pie kontaktligzdas ievietojiet pārtiku iekārtā uzglabāšanai ne ātrāk kā pēc 2-3 stundām.
- Parastos klimatiskos apstākļos saldētavā jāiestata -18 °C vai zemāka temperatūra.

## Augstas temperatūras trauksmes signāls

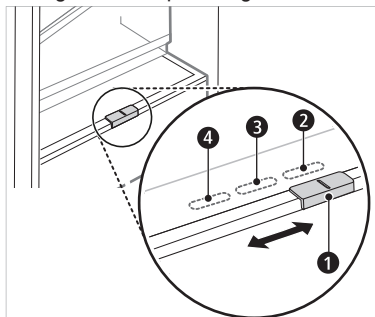
Ja elektroapgādes traucējumu dēļ ledusskapja temperatūra kļūst pārāk augsta, sāk mirgot ledusskapja temperatūras LED lampiņa un atskan trauksmes signāls.

- Lai apturētu signālu, piespiediet pogu **Freezer**.
- Ja temperatūra ir pietiekami zema, mirgošana un trauksmes signāls tiks automātiski pārtraukti.
- Šī funkcija darbojas turpmāk norādītajos gadījumos.
  - Ja ledusskapis ir ieslēgts.
  - Ja saldētavas nodalījumā kļuvis pārāk silts.
  - Ja elektroapgādes pārtraukums ilgst ilgāku laiku.
  - Ja saldētavas nodalījumā ievietots liels daudzums siltas pārtikas.
  - Ja saldētavas durvis pārāk ilgi vai pārāk bieži ir atvērtas.

## Vēsuma līmeņa pārveidotājs ( \* )

Tāpat kā vēsuma nodalījumā, arī vēsuma līmeņa pārveidotājā temperatūru var regulēt, pabīdot nodalījuma priekšpusē esošo sviru **1** vienā vai otrā virzienā.

Ja dārzeņus uzglabā pēc tam, kad iestatīta gaļai vai zivīm paredzētā temperatūra, tos var nelabvēlīgi ietekmēt pārmērīgs aukstums.



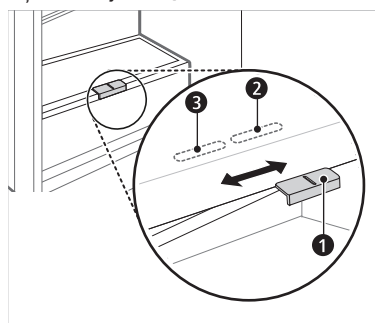
- ② paredzēts dārzeņu uzglabāšanai. (Ieteicams)
- ③ paredzēts zivju uzglabāšanai.
- ④ paredzēts gaļas uzglabāšanai.

### PIEZĪME

- ( \* ) Šis elements atšķiras atkarībā no iegādātā modeļa.

## Svaigo dārzeņu atvilktnē ( \* )

Pabīdot kloķi, iespējams noregulēt mitrumu dārzeņu nodalījumā **1**.



- ② paredzēts dārzeņu uzglabāšanai. (Ieteicams)
- ③ paredzēts augļu uzglabāšanai.

### PIEZĪME

- ( \* ) Šis elements atšķiras atkarībā no iegādātā modeļa.

## Pārtikas uzglabāšanas nodaļējumi

### Pārtikas uzglabāšana ledusskapja nodaļījumā

- **Ledusskapja plaukts**
  - Tajā tiek uzglabāta atdzesētā pārtika un citi priekšmeti.
  - Plauktu augstums var tikt mainīts ievietojot plauktu citā augstuma rievā.
  - Pārtiku ar augstāku mitruma saturu uzglabājiet plaukta priekšpusē.
  - Dažādiem modeļiem būs atšķirīgs faktiskais plauktu daudzums.
- **Pudeļu režģis (\*)**
  - Tajā tiek uzglabātas garenas dzērienu pudeles un trauki.
- **Saliekams plaukts (\*)**
  - Tajā tiek uzglabāta atdzesētā pārtika un augsti priekšmeti.
- **Svaigo dārzeņu atvilktnē (\*)**
  - Tajā uzglabātos augļus un dārzeņus var saglabāt svaigus, regulējot mitruma kontroli.
  - Iekārtas izskats vai sastāvdaļas dažādiem modeļiem var atšķirties.
- **Vēsuma līmeņa pārveidotājs (\*)**
  - Šis ir vēss nodaļējums, kurā uzglabā gaļu, zivis un dārzeņus. Palīdziet saglabāt svaigumu, regulējot ledusskapja nodaļējuma aizmugurē uzstādīto mitruma kontroli.
  - Lai iegūtu vairāk telpas, varat lietot vēso zonu bez vēsuma nodaļējuma atvilktnes.
- **Pārvietojama olu paplāte**
  - Tajā uzglabā olas.
  - Vajadzības gadījumā varat to pārvietot un lietot vēlamā stāvoklī. Tomēr nelietojiet to kā ledus trauku un nenovietojiet uz ledusskapja augšpusē vai dārzeņu atvilktnes.

- **Ledusskapja durvju grozs**

- Tajā uzglabā nelielus atdzesētas pārtikas iepakojumus, dzērienus un mērcu trauciņus.

- **Ūdens dozatora tvertne (\*)**

- Tajā tiek uzglabāts dozatoram piegādājama ūdens vai ledus automāts. Tas jāuzpilda manuāli. (Tikai modeļiem bez ūdensvada pieslēguma.)

### Pārtikas uzglabāšana saldētavas nodaļījumā

- **Ledus paplāte**

- Tajā tiek gatavots un uzglabāts ledus.
- Lai iegūtu vairāk telpas, varat izņemt ledus paplāti vai ledus kubiņu spainīti.

- **Saldētavas atvilktnē**

- Tā ir paredzēta ilgstošai sasaldētu produktu uzglabāšanai.
- Lai ātri sasaldētu pārtikas produktus uzglabājiet pārtiku šajā augšējās atvilktnes kreisajā zonā. Pārtikas produkti visātrāk sasalst šajā zonā.

### PIEZĪME

- (\*) : Šis elements atšķiras atkarībā no iegādātā modeļa.
- Plašāku informāciju par citiem nodaļējumiem skatiet vietnē lg.com un lejupielādējiet lietotāja pamācības.

## Vadības panelis

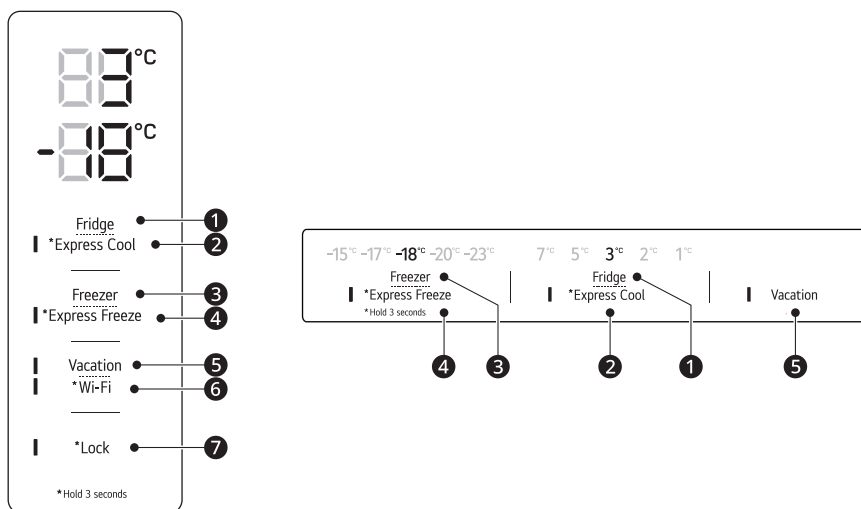
Dažādiem modeļiem var būt atšķirīgi vadības paneli.

### Vadības panelis un funkcijas

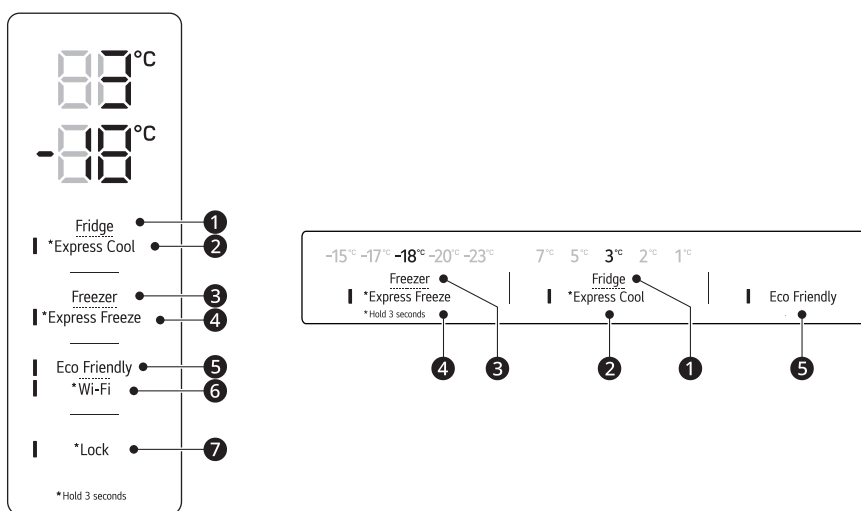
\*1 Šī funkcija ir pieejama tikai atsevišķiem modeļiem.

Atkarībā no modeļa vadības panelis atrodas vai nu ledusskapja durvju ārpusē vai ledusskapja iekšpusē.

#### A tips



#### B tips



**1 Fridge**

Lai atlasītu vēlamo temperatūru amplitūdā no 1 °C līdz 7 °C, vairākkārt piespiediet šo pogu.

- Rūpnīcā iestatītā ledusskapja temperatūra ir 3 °C.

**2 Express Cool**

Ar šo funkciju var ātri atdzēsēt lielu pārtikas daudzumu, piemēram, dārzeņus, augļus un līdžīgu pārtiku.

- Funkcija tiek iespējota un atspējota katru reizi, kad 3 sekundes piespiežat pogu.

**3 Freezer**

Lai atlasītu vēlamo temperatūru amplitūdā no -15 °C līdz -23 °C, vairākkārt piespiediet šo pogu.

- Rūpnīcā iestatītā saldētavas temperatūra ir -18 °C.

**4 Express Freeze**

Ar šo funkciju var ātri sasaldēt lielu daudzumu ledus vai saldētas pārtikas.

- Nospiediet **Express Freeze** poga, lai aktivizētu funkciju uz 24 stundām. Funkcija automātiski izslēdzas pēc 24 stundām.
- Funkcija tiek iespējota un atspējota katru reizi, kad 3 sekundes piespiežat pogu.
- Kad ir ieslēgta šī funkcija, var atskanēt troksnis un palielināties enerģijas patēriņš.

**5 Vacation**

Šī funkcija ir noderīga, ja esat brīvdienās. Kad šī funkcija ir ieslēgta, ledusskapja temperatūra ir 7 °C un saldētavas temperatūra -15 °C. Kad šī funkcija ir izslēgta, ledusskapja un saldētavas temperatūra atgriežas uz iepriekšējiem temperatūras iestatījumiem.

- Funkcija tiek iespējota un atspējota katru reizi, kad piespiežat pogu.
- Kad ir ieslēgts šis režīms, visas pārējās pogas, izņemot **Lock** un **Wi-Fi** nedarbosies.
- **Eco Friendly** ir pārdēvēta par **Vacation**.

**⚠ UZMANĪBU!**

- Kad šī funkcija ir ieslēgta, esiet piesardzīgs, uzglabājot pārtiku, kurai nepieciešama zemāka temperatūra nekā noklusējuma temperatūra.
  - Atgriežoties mājās, neaizmirstiet izslēgt šo funkciju, lai atbloķētu citas pogas un atgrieztu ledusskapi uz iepriekšējiem temperatūras iestatījumiem.
- 6 Wi-Fi**<sup>\*1</sup>
- Izmantojot šo pogu, iekārtu var savienot ar mājas Wi-Fi tīklu. Skatiet **SMART FUNCTIONS**, lai uzzinātu informāciju par **LG ThinQ** lietojumu.

**7 Lock**<sup>\*1</sup>

Ar to var bloķēt vadības paneļa pogas.

- Lai bloķētu vadības paneļa pogas, piespiediet un trīs sekundes turiet piespiestu pogu **Lock** līdz funkcija tiek aktivizēta.
- Lai atspējotu funkciju, piespiediet un trīs sekundes turiet piespiestu **Lock** pogu līdz funkcija tiek deaktivizēta.

**PIEZĪME**

- Lai nodrošinātu optimālu pārtikas saglabāšanu, katram nodalījumam ieteicams palielināt vai samazināt par 1 °C vai vienu līmeni no noklusējuma temperatūras.
- Parādītā temperatūra ir mērķa temperatūra, nevis faktiskā temperatūra ierīces iekšpusē.
- Faktiskā temperatūra ierīces iekšienē ir atkarīga no šādiem faktoriem: istabas temperatūras, pārtikas daudzuma un durvju atvēršanas biežuma, un kur ierīce atrodas. Iestatiet temperatūras, ņemot vērā šos faktorus.
- Vadības panelis automātiski izslēgsies, lai taupītu enerģiju.
- Ja vadības paneļa tīrīšanas laikā tam pieskaras ar pirkstu vai ādu, var sākt darboties ierosinātās pogas funkcija.

## Lietojumprogramma LG ThinQ

Šī funkcija ir pieejama tikai modeļiem ar Wi-Fi. **LG ThinQ** programma ļauj sazināties ar iekārtu, izmantojot viedtālruni.

## LG ThinQ lietotnes funkcijas

Sazinieties ar iekārtu no viedtālruna, izmantojot ērtās viedās funkcijas.

### Smart Diagnosis

- Ja iekārtas lietošanas laikā rodas problēma, šī viedās diagnostikas funkcija palīdzēs diagnosticēt problēmu.

### Iestatījumi

- Ļauj iestatīt dažādas iespējas iekārtā un lietojumprogrammā.

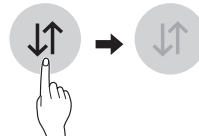
### PIEZĪME

- Ja nomaināt bezvadu maršrutētāju, interneta pakalpojumu sniedzēju vai paroli, izdzēsiet reģistrēto iekārtu no programmas **LG ThinQ** un reģistrējiet to vēlreiz.
- Iekārtas darbības uzlabošanas nolūkā programma var tikt mainīta, neinformējot lietotāju.
- Funkcijas var atšķirties atkarībā no modeļa.

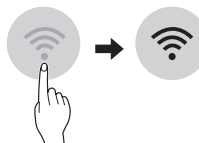
## Pirms LG ThinQ programmas lietošanas

- 1 Pārbaudiet attālumu starp ierīci un bezvadu maršrutētāju (Wi-Fi tīkls).
  - Ja attālums starp iekārtu un bezvadu maršrutētāju ir pārāk liels, signāla stiprums var mazināties. Var būt nepieciešams ilgāks laiks, lai reģistrētos, vai arī uzstādīšana var neizdoties.

- 2 Viedtālrunī izslēdziet opciju **Mobile data** (Mobilie dati) vai **Cellular Data** (Mobilie dati).



- 3 Savienojiet savu viedtālruni ar bezvadu maršrutētāju.



### PIEZĪME

- Lai apstiprinātu Wi-Fi savienojumu, pārliecinieties, ka vadības panelī ir izgaismota Wi-Fi ikona.
- Ierīce atbalsta vienīgi 2,4 GHz Wi-Fi tīklus. Lai pārbaudītu savu tīklu frekvenci, sazinieties ar savu interneta pakalpojumu sniedzēju vai atsaučieties uz sava bezvadu maršrutētāja lietošanas rokasgrāmatu.
- **LG ThinQ** nenes atbildību par jebkādam tīklu savienojumu problēmām vai kļūmēm, darbības traucējumiem vai kļūmēm, kas radušās tīkla savienojuma dēļ.
- Ja iekārta nespēj izveidot savienojumu ar Wi-Fi tīklu, var būt, ka tā atrodas pārāk tālu no maršrutētāja. Iegādājieties Wi-Fi retranslātoru (diapazona paplašinātājs), lai uzlabotu Wi-Fi signāla jaudu.
- Wi-Fi savienojums var netikt izveidots vai arī tikt pārtraukts mājas tīkla apstākļu dēļ.
- Tīkla savienojums var nestrādāt atbilstoši atkarībā no interneta pakalpojuma sniedzēja.
- Apkārtējās bezvadu vides dēļ bezvadu tīkla pakalpojumi var strādāt lēni.
- Bezvadu signālu radīto problēmu dēļ iekārtu var nebūt iespējams reģistrēt. Atvienojiet to un uzgaidiet vismaz vienu minūti, pirms mēģiniet veikt šo darbību vēlreiz.
- Ja jūsu bezvadu maršrutētājā ir iespējots ugunsmūris, atspējojiet to vai pievienojiet tam izņēmumu.
- Bezvadu tīkla nosaukumam (SSID) jā sastāv vienīgi no latīņu burtiem un cipariem. (Neizmantojiet īpašās rakstzīmes.)


- Viedtālruna lietotāja interfeiss (UI) var atšķirties atkarībā no operētājsistēmas (OS) un ražotāja.
- Ja maršrutētāja drošības protokols ir iestatīts kā **WEP**, tīkla iestatīšana var neizdoties. Lūdzu, nomainiet to, iestatot citu drošības protokolu (iesakām **WPA2**) un reģistrējiet izstrādājumu atkārtoti.

## Lietojumprogrammas LG ThinQ instalēšana

"Sameklējiet viedtālrunī **LG ThinQ** lietojumprogrammu no Google Play Store & Apple App Store."

- Ievērojiet norādījumus lietojumprogrammas lejupielādei un instalēšanai.

## Savienojums ar Wi-Fi

Izmantojot pogu **Wi-Fi** kopā ar lietojumprogrammu **LG ThinQ**, iekārtu var savienot ar mājas Wi-Fi tīklu. Ikona  informē par iekārtas tīkla savienojuma statusu. Kad iekārta ir savienota ar Wi-Fi tīklu, ikona iedegas.


### Sākotnējā iekārtas reģistrācija

- Lai reģistrētu iekārtu, palaidiet lietojumprogrammu **LG ThinQ** un izpildiet tās norādījumus.

### Iekārtas atkārtota reģistrācija vai cita lietotāja reģistrācija

- Piespiediet un 3 sekundes turiet piespiestu pogu **Wi-Fi**, lai to īslaicīgi izslēgtu. Lai reģistrētu iekārtu, palaidiet lietojumprogrammu **LG ThinQ** un izpildiet tās norādījumus.

## PIEZĪME

- Lai atspējotu Wi-Fi funkciju, piespiediet un 3 sekundes turiet piespiestu pogu **Wi-Fi**.  ikona tiks izslēgta.

## Atvērtā pirmkoda programmatūras informācija

Lai iegūtu avota kodu saskaņā ar GPL, LGPL, MPL un citām atvērtā pirmkoda licencēm, kurām ir pienākums atklāt šajā produktā esošo avota kodu un piekļūt visiem minētajiem licences noteikumiem, paziņojumiem par autoritātesbām un citiem atbilstošiem dokumentiem, lūdzu, apmeklējiet vietni <https://opensource.lge.com>.

LG Electronics izsniedz atklāto pirmkodu arī kompaktdiskā, iekasējot par to šāda izplatīšanas veida izmaksām atbilstošu maksu (datu nesēja, tā apstrādes un piegādes izmaksas); lai saņemtu kodu, tas jāpieprasa pa e-pastu: [opensource@lge.com](mailto:opensource@lge.com).

Šis piedāvājums ir derīgs ikvienam, kurš saņem šo informāciju trīs gadus pēc mūsu pēdējā šī produkta nosūtīšanas.



## Norādījumi par tīrīšanu

- Ja no iekārtas iekšpusē jāizņem plaukts vai atvilktnes, vispirms izņemiet no plaukta vai atvilktnes visu tur uzglabāto pārtiku, lai novērstu traumas vai iekārtas bojājumus.
  - Pretējā gadījumā uzglabātās pārtikas smagums var būt par iemeslu traumām.
- Ja iekārtas ārējās ventilācijas atveres tīra ar putekļu sūcēju, iekārtas barošanas vads ir jāatvieno no kontaktligzdas, lai nepieļautu statisko izlādi, kas var sabojāt elektroniku vai izraisīt elektrotraumu.
- Izņemiet plauktus un atvilktnes, nomazgājiet ar ūdeni un pirms ievietošanas atpakaļ pietiekami nosusiniet.
- Durvju paplāksnes regulāri noslaukiet ar mitru, mīkstu dvieli.
- Jānotīra notecējumi un traipi uz durvju groza, jo tie var ierobežot groza uzglabāšanas spēju un pat sabojāt grozu.
- Pēc tīrīšanas pārbaudiet, vai barošanas vads nav bojāts, sakarsis vai nepareizi iesprausts.
- Rūpējieties, lai ventilācijas atveres iekārtas ārpusē ir tīras.
  - Bloķētas ventilācijas atveres var izraisīt ugunsgrēku vai iekārtas bojājumus.
- Tīrot ierīces iekšpusi vai ārpusi, neslaukiet to ar rupju birsti, zobpastu vai viegli uzliesmojošiem materiāliem. Neizmantojiet tīrīšanas līdzekļus, kas satur uzliesmojošas vielas.
  - Tas var radīt krāsu izbalēšanu vai bojājumus ierīcei.
  - Viegli uzliesmojošas vielas: spirts (etanols, metanols, izopropilspirts, izobutilgrupas spirts, utt.), šķīdinātāji, balinātāji, benzols, uzliesmojoši šķidrums, abrazīvi un citas vielas.
- Iekārtas iekšpusē lietojiet tīru sūkli vai mīkstu drānu un siltā ūdenī izšķīdinātu vieglu mazgāšanas līdzekli. Nelietojiet abrazīvus vai asus tīrīšanas līdzekļus. Rūpīgi nosusiniet ar mīkstu drānu.
- Nekādā gadījumā nemazgājiet plauktus vai tvertnes trauku mazgājamā mašīnā.
  - Karstumā tie var deformēties.
- Regulāri tīriet virsmas, kas var saskarties ar ēdienu, kā arī pieejamās drenāžas sistēmas.
- Ja ierīce ir aprīkota ar LED lampiņām, nenoņemiet lampiņu pārsegu un neizņemiet LED lampiņas, lai censtos tās apkopt vai labot. Lūdzu, sazinieties ar LG Electronics klientu informācijas centru.

## Jūsu vecās ierīces likvidēšana



- Šis simbols – pārsvītrotā atkritumu tvertne uz riteņiem – norāda, ka elektrisko un elektronisko iekārtu atkritumi (EIEA) jālikvidē atsevišķi no sadzīves atkritumu plūsmas.
- Veci elektriskie izstrādājumi var saturēt bīstamas vielas, tādēļ jūsu vecās ierīces pareiza likvidēšana palīdzēs novērst iespējamās negatīvās sekas videi un cilvēka veselībai. Jūsu vecā ierīce var saturēt vairākkārt izmantojamas detaļas, kuras var izmantot citu izstrādājumu remontam, un citus vērtīgus materiālus, kurus var pārstrādāt, tādējādi saglabājot ierobežotus resursus.
- Jūs varat aiznest ierīci vai nu uz veikalu, kurā šo izstrādājumu iegādājāties, vai sazināties ar vietējās pašvaldības atkritumu savākšanas iestādi un uzzināt sīkāku informāciju par tuvāko oficiālo EIEA savākšanas punktu. Jaunāko informāciju par savu valsti skatiet vietnē [www.lg.com/global/recycling](http://www.lg.com/global/recycling)

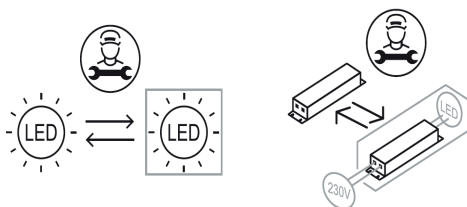
## Klientu aprūpe un apkalpošana

Sazinieties ar LG Electronics klientu informācijas centru.

- Lai iegūtu informāciju par LG autorizēto servisa centru, apmeklējiet mūsu vietni [www.lg.com](http://www.lg.com).
- Tikai kvalificēts apkalpojošais personāls no LG autorizētā servisa centra drīkst izjaukt, salabot vai pārveidot iekārtu.
- Šīs aukstumiekārtas minimālais garantijas laiks ir 24 mēneši.
- Lai iegādātos rezerves daļas sazinieties ar LG Electronics klientu informācijas centru vai apmeklējiet mūsu vietni [www.lg.com](http://www.lg.com).
- Regulā ES 2019/2019 minētās rezerves daļas ir pieejamas 7 gadus.(vienīgi durvju blīves ir pieejamas 10 gadus).

## PIEZĪME

- Lai iegūtu papildinformāciju par iekārtas energoefektivitāti apmeklējiet vietni <https://ec.europa.eu> un veiciet meklēšanu izmantojot modeļa nosaukumu (derīgs no 2021. gada 1. marta).
- Regula ES 2019/2019, kas ir spēkā no 2021. gada 1. marta, ir saistīta ar energoefektivitātes klasēm ar Regulu ES 2019/2016.
- Skenējiet QR kodu uz enerģijas etiķetes, kas piegādāta kopā ar iekārtu un nodrošina tīmekļa saiti uz informāciju, kas saistīta ar iekārtas darbību ES EPREL datu bāzē. Saglabājiet enerģijas marķējumu atsauces nolūkiem un visiem citiem dokumentiem, kas piegādāti kopā ar ierīci (derīgs no 2021.gada 1.marta).
- Modeļa nosaukumu var atrast uz iekārtas datu plāksnes.
- Šis produkts satur G energoefektivitātes klases gaismas avotu.





УПАТСТВО ЗА КОРИСНИК

# ФРИЖИДЕР И ЗАМРЗНУВАЧ

**Прочитајте го целосно ова упатство за корисник пред да започнете со користење на апаратот и чувајте го при рака за идни консултации.**

[www.lg.com](http://www.lg.com)

Погледнете во упатството за корисникот на веб-страницата на LG, за подетални информации.

Copyright © 2019-2023 LG Electronics Inc Сите права се задржани

# СОДРЖИНА

Ова упатство содржи слики или содржина поинаква од моделот што сте го купиле.

Ова упатство подлежи на ревизија од производителот.

<b>БЕЗБЕДНОСНИ УПАТСТВА .....</b>	<b>3</b>
ВАЖНИ БЕЗБЕДНОСНИ УПАТСТВА.....	3
<b>МОНТАЖА .....</b>	<b>11</b>
Димензии и дозволи .....	11
Амбиентална температура.....	11
<b>РАБОТЕЊЕ.....</b>	<b>12</b>
Напомени за работењето .....	12
Преграда за свежи продукти ( * ).....	13
Фиока за свеж зеленчук ( * ).....	14
Контролна табла .....	16
<b>ПАМЕТНИ ФУНКЦИИ .....</b>	<b>18</b>
Апликација LG ThinQ .....	18
<b>ОДРЖУВАЊЕ .....</b>	<b>20</b>
Напомени за чистење .....	20
Фрлање на вашиот стар апарат.....	20
<b>РЕШАВАЊЕ ПРОБЛЕМИ.....</b>	<b>21</b>

## Дополнителни информации за упатството

Ова е скратена верзија на Прирачникот за сопственикот. За повеќе информации, ве молиме посетете ја веб-страницата на LG на <http://www.lg.com>




## Решавање проблеми



Следните безбедносни упатства се наменети за да спречат непредвидени ризици или штети од небезбедно или неправилно користење на производот.

Упатствата се поделени на 'ПРЕДУПРЕДУВАЊЕ' и 'ВНИМАНИЕ' како што е опишано подолу.

 Овој симбол означува предмети и активности што може да предизвикаат ризик. Прочитајте го внимателно делот со овој симбол и следете ги упатствата за да избегнете ризик.

### ПРЕДУПРЕДУВАЊЕ

Ова покажува дека непочитувањето на упатствата може да предизвика сериозна повреда или смрт.

### ВНИМАНИЕ

Ова покажува дека непочитувањето на упатствата може да предизвика лесна повреда или мала штета на производот.

## ВАЖНИ БЕЗБЕДНОСНИ УПАТСТВА

### ПРЕДУПРЕДУВАЊЕ

За да се намали ризикот од пожар, струен удар или повреди на лица при користење на производот, треба да се почитуваат основните безбедносни мерки, вклучувајќи ги следните.

#### Деца во домаќинството

- Овој апарат не е наменет за употреба од страна на лица (вклучувајќи деца) со намалени физички, сетилни или ментални способности, или со недоволно искуство и знаење, освен ако се под надзор или ако добиваат упатства за употребата на апаратот од лице коешто е одговорно за нивната безбедност. Децата треба да бидат под надзор за да не се дозволи да си играат со апаратот.
- Ако апаратот е опремен со брава (само кај некои модели), држете го клучот подалеку од дофат на деца.

### **За употреба во Европа:**

- Овој апарат може да го користат деца постари од 8 години и лица со намалени физички, сетилни или ментални способности или со недоволно искуство и знаење, ако се под надзор или добиваат упатства за употреба на апаратот на безбеден начин и ги разбираат опасностите што можат да произлезат. Деца не смеат да си играат со апаратот. Чистењето и одржувањето не смеат да го прават деца без надзор.
- Деца на возраст меѓу 3 и 8 години може да ставаат или да вадат артикли од фрижидерот.

### **МОНТАЖА**

- Овој апарат треба да го пренесуваат две или повеќе лица, коишто цврсто ќе го држат при пренесувањето.
- Проверете дали штекерот за струја е правилно заземјен и дали пинот за заземјување на кабелот за струја е оштетен или изваден од приклучокот за струја. За повеќе детали околу заземјувањето, обратете се во Центарот за информации за клиенти на LG Electronics.
- Овој апарат мора да биде опремен со кабел за струја, којшто има спроводник за заземјување и приклучок за заземјување. Приклучокот мора да биде вклучен во соодветен штекер којшто е правилно монтиран и заземјен во согласност со локалните законски регулативи и уредби.
- Ако кабелот за струја е оштетен или штекерот е лабав во отворот, не користете го кабелот и стапете во контакт со овластен центар за сервис.
- Не приклучувајте го апаратот во адаптер со повеќе штекери, којшто нема кабел за напојување (монтиран).
- Не модифицирајте го и не продолжувајте го кабелот за струја.
- Апаратот треба да биде поврзан со посебна линија за струја, за којашто има засебен осигурувач.
- Не приклучувајте го апаратот во мулти-штекер кој не е соодветно заземјен (пренослив). Во случај да користите соодветно заземјен мулти-штекер (пренослив), користете мулти-штекер со капацитет на напон на кабелот или повисок и користете го мулти-штекерот само за апаратот.
- Монтирајте го апаратот на место од каде што лесно може да се исклучи приклучокот за струја на апаратот.
- Приклучокот за струја не смее да биде вклучен со кабелот свртен нагоре и не дозволувајте апаратот да се потпира на приклучокот.
- Монтирајте го апаратот на цврст и рамен под.

- Не поставувајте го апаратот во влажна или правлива просторија. Не поставувајте го и не чувајте го надвор, или во каква било просторија подложна на надворешни услови, како што е директна сончева светлина, ветер или дожд, или температури под нулата.
- Не поставувајте го апаратот на директна сончева светлина и не изложувајте го на топлина од апарати за греење, како на пример, шпорети или греалки.
- Внимавајте да не ја соголите задната страна на апаратот при монтажа.
- За време на склопувањето или расклопувањето внимавајте да не ви падне вратата на апаратот.
- При склопувањето и расклопувањето на вратата на апаратот, внимавајте да не го продупчите, згмечите или оштетите кабелот за струја.
- Не поврзувајте го приклучниот адаптер или некоја друга дополнителна опрема во приклучокот за струја.

## **РАБОТЕЊЕ**

- Не користете го производот за други намени (за чување медицински или експериментални материјали или за транспорт) освен за намената во домаќинства, односно за чување храна.
- Исклучете го приклучокот од штекер кога има силна бура или грмотевици или кога не е во употреба подолг временски период.
- Не допирајте го приклучокот за струја или контролите на апаратот со влажни раце.
- Не превиткувајте го кабелот за струја премногу и не ставајте тешки предмети врз него.
- Ако навлезе вода во електричните делови на апаратот, исклучете го приклучокот за струја и стапете во контакт со Центарот за информации за клиенти на LG Electronics.
- Не ставајте ги рацете ниту метални предмети во внатрешноста од која излегува ладниот воздух, ниту на капакот или задната решетка од која се ослободува топлина.
- Не применувајте прекумерна сила или притисок на задниот капак на апаратот.
- Не ставајте животно во внатрешноста на производот. Животното може да се задуши.

- Внимавајте на децата во близина кога ја отворате или затворате вратата на апаратот. Вратата може да го удри детето и да предизвика повреда. Не дозволувајте луѓето да се нишаат на вратите бидејќи така може уредот да се преврти и да предизвика сериозна повреда.
- Избегнувајте ја опасноста од затворање на деца внатре во апаратот. Дете затворено во внатрешноста на производот може да се задуши.
- Не ставајте тешки или кршливи предмети, садови полни со течност, лесно запалливи материи, запалливи предмети (како што се свеќи, ламби итн.), или грејни уреди (како што се печки, греалки итн.) врз апаратот.
- Ако има протекување на гас (изобутан, пропан, природен гас итн.), не допирајте ја ниту машината, ниту приклучокот за струја и веднаш проветрете ја просторијата. Овој апарат користи гас како средство за ладење (изобутан, R600a). Иако користи мали количини гас, тој е сепак запаллив гас. Истекувањето гас при транспорт на апаратот, монтажа или работење може да предизвика пожар, експлозија или повреда ако се предизвикаат искри.
- Не користете и не чувајте запалливи или експлозивни супстанции (етер, бензен, алкохол, хемикалии, LPG, експлозивни спрејови, инсектициди, освежувачи на воздух козметика итн.) во близина на апаратот.
- Веднаш исклучете го приклучокот од струја и стапете во контакт со Центарот за информации за клиенти на LG Electronics ако откриете невообичаена бучава, мирис или чад што доаѓа од апаратот.
- Ставајте вода за пиење само во автоматот за мраз или диспензерот за вода.
- Не оштетувајте го колото за средство за ладење.
- Не ставајте друг електронски апарат (како на пример, греалка и мобилен телефон) во внатрешноста на апаратот.

### **Одржување**

- Исклучете го кабелот за струја пред да го чистите апаратот или да ја заменувате светилката внатре (каде што е вградена).
- Безбедно вклучете го приклучокот за струја во штекерот откако комплетно сте ја отстраниле постојната влага или прав.



- Никогаш не исклучувајте го апаратот од струја со влечење на кабелот за струја. Секогаш цврсто фаќајте го приклучокот за струја и повлечете го во обратна насока од штекерот.
- Не прскајте вода или запалливи материи (паста за заби, алкохол, разредувач, бензин, запалливи течности, средства за полирање итн.) над внатрешната или надворешната страна на апаратот, за да го исчистите.
- Не чистете го апаратот со четки, крпи или сунѓери со груби површини или коишто се изработени од метален материјал.
- Само квалификуван персонал за сервисирање од Центарот за сервис на LG Electronics смее да го расклопува, поправа или модифицира апаратот. Стапете во контакт со Центарот за информации за клиенти на LG Electronics ако го преместувате или монтирате апаратот на друга локација.
- Не користете фен за сушење коса за да ја исушите внатрешноста на апаратот и на ставајте свеќа во внатрешноста за да ги отстраните миризбите.
- Не користете механички уреди или други средства за да го забрзате процесот на одмрзнување.

### **Фрлање**

- При фрлање на апаратот, извадете ја заптивката од вратата, а оставете ги внатре полиците и корпите, и држете ги децата понастрана од апаратот.
- Отстранете ги сите материјали за пакување (како на пример, пластични кеси и стиропор) подалеку од децата. Материјалите од пакувањето може да предизвикаат задушување.

### **Техничка безбедност**

- Отворите за вентилација во просторот каде што е сместен апаратот или во мебелот во кој е вграден не смеат да содржат никакви препреки.
- Не користете електрични апарати во фрижидерот.
- Средството за ладење и гасот за изолација што се користат во апаратот треба да се фрлат според посебно пропишани процедури. Консултирајте се со сервисер или слично квалификувано лице пред да ги фрлите.
- Средство за ладење што избива во млаз од цевките може да се запали или да предизвика експлозија.

- Количината на средство за ладење во вашиот апарат е прикажан на плочата за идентификација внатре во апаратот.
- Никогаш не вклучувајте апарат кој има знаци на оштетување. Ако се сомневате, консултирајте се со продавачот.
- Овој апарат е наменет само за употреба во домаќинства и слични намени. Не смее да се користи за комерцијални или угостителски намени, ниту пак на мобилни предмети, какви што се каравани или пловни објекти.
- Не чувајте експлозивни супстанции во апаратот какви што се конзерви со аеросол што содржат запаллив гас.

### Ризик од пожар и запаливи материјали



Овој симбол ве предупредува за запаливи материјали што може да се запалат и да предизвикаат пожар ако не се грижите.

- Овој апарат содржи мала количина на изобутанско средство за ладење (R600a), но тоа е исто така запалливо. При транспорт и монтажа на апаратот, треба да се внимава за да не се оштетат делови од колото за средството за ладење.
- Ако откриете протекување, избегнувајте отворен пламен или потенцијални извори на искри и проветрете ја неколку минути просторијата во која се наоѓа апаратот. За да избегнете создавање мешавина на воздух и запаллив гас во случај на протекување од колото за средство за ладење, големината на просторијата во која се наоѓа апаратот треба да одговара на количината на употребеното средство за ладење. Просторијата мора да има по 1 m<sup>2</sup> на располагање за секои 8 g од средството за ладење R600a внатре во апаратот.
- При позиционирање на уредот, погрижете се кабелот за снабдување со ел. енергија да не биде заглавен или оштетен.
- Немојте да поставувате повеќе преносни штекери или преносни кабли за напојување на задниот дел од уредот.
- Апаратот за ладење не е наменет да се користи како вграден апарат.

## ВНИМАНИЕ

**За да се намали ризикот од мали повреди на лица, неисправно функционирање или оштетување на производот или имотот при користење на овој производ, следете ги основните мерки на претпазливост, вклучително и следните:**

### **МОНТАЖА**

- Не навалувајте го апаратот за да го влечете или туркате при транспорт.
- Осигурете се да не дојде до заглавување на некој дел од телото, на пример раката или стапалото, додека се преместува апаратот.

### **РАБОТЕЊЕ**

- Не допирајте ја замрзнатата храна или металните делови во преградата на замрзнувачот со водени или влажни раце. Тоа може да предизвика замрзнатини.
- Не ставајте стаклени контејнери, шишиња или конзерви (особено оние што содржат газирани пијалоци) во одделот за замрзнување, на полиците, или во кантата за мраз, што ќе бидат изложени на температури под замрзнување.
- Каленото стакло на предната страна од вратата на апаратот или на полиците може да се оштети со удар. Ако е скршено, не допирајте го со раце.
- Не бесете се на вратата на производот, просторот за чување храна, на полицата и не качувајте се на неа.
- Не ставајте преголема количина шишиња за вода или други садови за страничните делови на корпите на вратите.
- Не дозволувајте животни да го гризаат кабелот за струја или цревото за вода.
- Не отворајте ја и затворајте ја вратата на апаратот со прекумерна сила.
- Ако е оштетена шарката на вратата на производот или ако не функционира правилно, престанете да го користите и стапете во контакт со Центарот за сервис на LG Electronics.

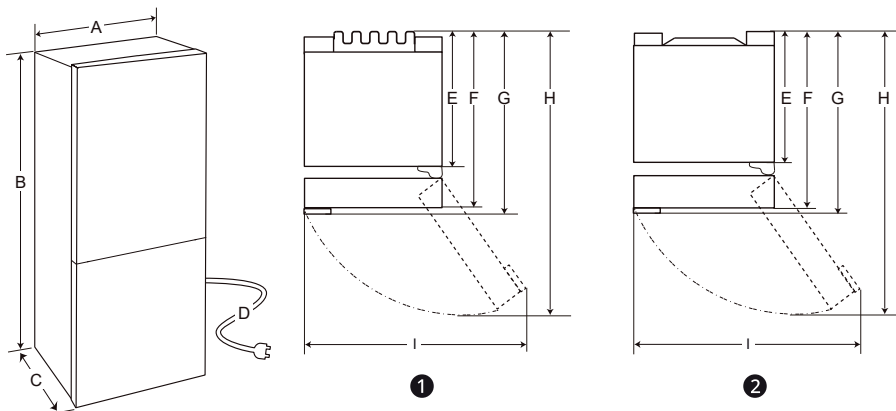
- Не чистете ги стаклените полици или капаци со топла вода кога се студени.
- Никогаш не јадете замрзната храна веднаш откако сте ја извадиле од замрзнувачот.
- Осигурете се да не дојде до заглавување на раката или стапалото, за време на отворање или затворање на вратата на апаратот.

### **Одржување**

- Не вметнувајте ги полиците наопаку. Полиците може да паднат.
- За да го отстраните мразот од апаратот, стапете во контакт со Центарот за информации за клиенти на LG Electronics.

## Димензии и дозволи

Премалото растојание до соседните предмети, може да резултира со деградација на способноста за замрзнување, и зголемени трошоци за електрична енергија. Дозволете да има над 50 mm простор до секој соседен ѕид, кога ќе го инсталирате апаратот.



	1		2	
	Големина [mm]			
	Вградена рачка	Рачка-шипка	Вградена рачка	Рачка-шипка
A	595	595	595	595
B	1 860 / 2 030	1 860 / 2 030	1 860 / 2 030	1 860 / 2 030
C	682	718	675	712
D	2 100	2 100	2 100	2 100
E	616	616	610	610
F	682	682	675	675
G	-	718	-	712
H	1 230	1 237	1 225	1 232
I	995	995	995	995

### НАПОМЕНА

- Мерките во табелата погоре се приближни.

## Амбиентална температура

- Апаратот е дизајниран да работи во ограничен опсег на амбиентални температури, во зависност од климатската зона.
- На внатрешните температури може да влијае локацијата на апаратот, амбиенталната температура, фреквенцијата на отворањето на вратата итн.
- Климатската класа може да се најде на етикетата за оценување.

Климатска класа	Опсег на амбиенталната температура °C
SN (Продолжено умерена)	+10 - +32
N (Умерена)	+16 - +32
ST (Суптропска)	+16 - +38
T (Тропска)	+16 - +43 / +10 - +43*

\*Австралија, Индија, Кенија

### НАПОМЕНА

Уредите од SN до T се наменети за употреба при амбиентална температура во опсегот меѓу 10 °C и 43 °C.

## Напомени за работењето

- Корисниците треба да имаат предвид дека може да се формира мраз ако вратата не е целосно затворена, ако влажноста е многу висока во текот на летото или ако вратата на замрзнувачот се отвора многу често.
- Погрижете се да има доволно простор меѓу храната што се чува на полицата и корпата на вратата за да овозможите вратата целосно да се затвора.
- Ако ја оставате вратата отворена на подолги периоди, тоа може да предизвика значително покачување на температурата во преградите на уредот.
- Ако ладилникот е празен подолг период, исклучете го, одмрзнете го мразот, исчистете го, исушете го и оставете ја вратата отворена за да не се создаде мувла.

## Предлози за заштеда на енергија

- Погрижете се да има доволно простор меѓу храната што се чува. Ова овозможува ладниот воздух да циркулира рамномерно, а со тоа и сметките за струја да бидат пониски.
- Топлата храна може да ја ставите во фрижидер, само откако ќе се излади, за да спречите формирање роса или мраз.
- Кога чувате некаков уред во замрзнувачот, поставете ја температурата на замрзнувачот пониска од температурата наведена на храната.
- Не ставајте храна во близина на сензорот за температура на фрижидерот. Растојанието од сензорите треба да биде минимум 3 см.
- Имајте предвид дека покачување на температурата по одмрзнување има дозволен опсег којшто е наведен во спецификациите. Ако сакате да го минимизирате влијанието што ова може да го има врз чувањето храна поради покачување на температурата, запечатете ја или врзете ја кесата `сохрана во неколку слоеви.
- Системот за автоматско одмрзнување во апаратот, осигурува дека одделот ќе остане без создавање на мраз, во нормални работни услови.
- За најефикасна искористеност на енергијата, нека бидат сите внатрешни делови (на пример, корпите, фиоките и полиците) на своите оригинални позиции.
- Не поставувајте ја температурата на уредот пониско од потребното.

## Ефикасно чување храна

- Замрзнатата или оладената храна чувајте ја во затворени садови.
- Проверете го рокот на траење и етикетата (упатства за чување) пред да ја ставите храната во апаратот.
- Не чувајте храна долг период (подолго од 4 недели), ако лесно се расипува при ниска температура.
- Ставете ја оладената или замрзнатата храна во фрижидерот или замрзнувачот веднаш по купувањето. Избегнувајте повторно замрзнување на храна која е целосно одмрзната. Повторното замрзнување на каква било храна што е целосно одмрзната ќе го влоши нејзиниот вкус и хранлива вредност.
- Чувајте го свежото месо и риба во соодветнисадови во фрижидерот за да не дојдат во контакт или да капат врз друга храна.
- Не чувајте зеленчук завиткан во весник. Печатен материјал како весник или други надворешни супстанции може да ја контаминираат и расипат храната.
- Не преполнувајте го уредот. Студениот воздух не може да циркулира правилно ако замрзнувачот е преполнет.
- Ако подесите многу ниска температура, храната може да замрзне. Не подесувајте температура пониска од потребната температура за правилно чување на храната.
- За повеќе простор, можете да ја отстраните полицата за шишиња, за јајца, за мраз и фиоката за свежа храна.
- Храната може да се замрзне или да се расипе ако се чува на погрешна температура. Поставете температура во фрижидерот којашто е правилна за храната што се чува во него.

## Максимален капацитет на замрзнување

- Функцијата Express Freeze овозможува замрзнувачот да биде поставен на максимален капацитет за замрзнување. Функцијата е обично активна 24 часа, а потоа автоматски се исклучува.
- Доколку сакате да го искористите максималниот капацитет на замрзнување, функцијата Express Freeze мора да е вклучена седум часа, а потоа свежите производи може да ги ставите во преградата за замрзнување.

## Замрзнување максимална количина храна

- За да го подобрите циркулирањето на воздухот, вметнете ги сите фиоки.
- Ако треба да се складираат поголеми количества храна, тогаш сите фиоки на замрзнувачот треба да се извадат и храната да се стави директно на полицата (или полиците) на замрзнувачот во преградата на замрзнувачот.

### НАПОМЕНА

- За да ги отстраните фиоките, прво отстранете ја храната од нив и потоа извлечете ги внимателно. Ако не го направите тоа, може да се повредите или да ги оштетите фиоките.
- Формата на секоја фиока може да е различна, затоа вметнете ги во соодветната положба.

## Поставување температура

Ја поставува температурата на фрижидерот или замрзнувачот.

- Притиснете го копчето **Fridge** или **Freezer** за да ја регулирате температурата.
- Температурата може да се подесува.
  - Фрижидер: од 1 °C до 7 °C
  - Замрзнувач: од -15 °C до -23 °C
- Почетната температура е подесена.
  - Фрижидер: 3 °C
  - Замрзнувач: -18 °C

Реалната внатрешна температура варира во зависност од статусот на храната, бидејќи наведеното подесување за температура е целната температура, а не реалната температура во апаратот.

### НАПОМЕНА

- Фабричкото подесување на температурата може да се разликува зависно од уредот.
- За оптимално чување на храната, се препорачува зголемување или намалување на стандардната температура за секоја преграда за 1 °C или едно ниво.
- Почекајте 2 до 3 часа по приклучувањето на апаратот во струја пред да ставите храна во него.
- За да правите мраз во нормална клима, температурата на замрзнувачот треба да се постави на -18 °C или поладно.

## Аларм за висока температура

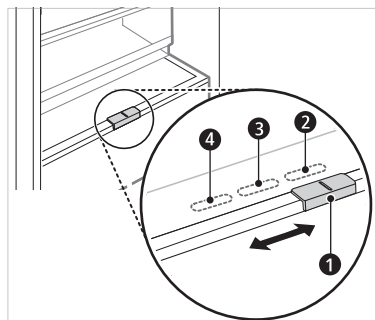
Кога температурата на замрзнувачот е превисока поради дефект, LED светилката на замрзнувачот ќе почне да трепка и ќе се огласи алармот.

- Притиснете го копчето **Freezer** за да се исклучи.
- Доколку температурата е доволно ниска, трепкањето и алармот автоматски ќе се исклучат.
- Функцијата се вклучува во случај кога:
  - Фрижидерот е вклучен.
  - Кога температурата во преградата на замрзнувачот ќе се зголеми значително.
  - Во случај на прекин на снабдувањето со електрична енергија кое трае подолго.
  - Во случај на ставање на поголемо количество топла храна во замрзнувачот.
  - Во случај вратата на замрзнувачот да стои отворена подолго или се отвора многу често.

## Преграда за свежи продукти ( \* )

Во преградата за ладење, температурата во преградата за свежи производи може да се контролира со помош на рачката ① која се наоѓа напред во преградата, со нејзино поместување во две насоки.

При чување на зеленчук со поставки за месо или риба, може да дојде до оштетување од смрзнување.



② за чување зеленчук. (Препорачано)

③ за чување риба.

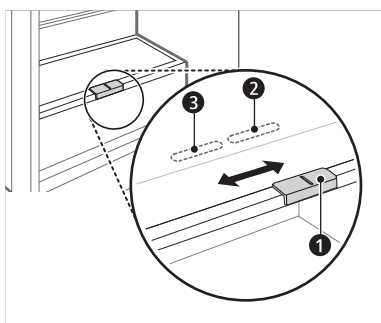
④ за чување месо.

### НАПОМЕНА

- ( \* ): оваа карактеристика варира во зависност од купениот модел.

### Фиока за свеж зеленчук ( \* )

Со вртење на копчето, прилагодете ја влажноста во фиоката за зеленчук ①.



② за чување зеленчук. (Препорачано)

③ за чување на овошје.

### НАПОМЕНА

- ( \* ): оваа карактеристика варира во зависност од купениот модел.



## Прегради за чување храна

### Чување храна во делот на фрижидерот

- **Полица на фрижидер**
  - Ова е место каде што се чува храна во фрижидерот.
  - Висината на полицата може да се регулира преку вметнување на полицата во друг процеп со различна висина.
  - Храната што содржи повеќе влага чувајте ја на предниот дел од полицата.
  - Бројот на полици се разликува од модел до модел.
- **Полица за шишиња (\*)**
  - На полицата за шишиња можете да ги чувате сите шишиња или садови за пијалаци.
- **Полица на преклопување (\*)**
  - Тука можете да чувате веќе изладена храна и високи предмети.
- **Фиока за свеж зеленчук (\*)**
  - Прилагодете го контролерот за влажност во фиоката, за подолго да ја одржите свежината на зеленчукот и овошјето.
  - Апаратот или деловите на апаратот може да се разликуваат од модел до модел.
- **Преграда за свежи продукти (\*)**
  - Во преградата за ладење можете да чувате месо, риба и зеленчук. Прилагодете го контролерот за влага кој се наоѓа назад во фрижидерот за подолго да ја одржите свежината на производите.
  - За повеќе простор, можете да ја користите преградата за свежи продукти без фиоката за ладење.
- **Подвижен држач за јајца**
  - Тука се чуваат јајца.
  - Можете да го поместите и да го поставите во посакуваната положба. Меѓутоа, не користете го како модла за мраз или поставете го најгоре на фрижидерот или во полицата за зеленчук.

- **Корпа на вратата на фрижидерот**
  - Тука се чуваат мали пакети храна, пијалаци и садови со сосови.
- **Резервоар на диспензерот за вода (\*)**
  - Во резервоарот се става вода за диспензерот или за автоматскиот автомат за мраз. Резервоарот се полни рачно. (Само за модели кои не се поврзуваат на водоводната инсталација во домот)

### Чување храна во делот на замрзнувачот

- **Модла за мраз**
  - Модлата служи за правење и чување мраз.
  - За дополнителен простор, можете да ја извадите модлата или кофичката за мраз.
- **Фиока на замрзнувачот**
  - Ова се користи за долгорочно чување замрзната храна.
  - За брзо замрзнување прехранбени производи, складирајте ја храната лево во горната фиока. Во таа фиока, прехранбените производи се замрзнуваат најбрзо.

### НАПОМЕНА

- (\*) : оваа карактеристика варира во зависност од купениот модел.
- За повеќе информации околу другите прегради, одете на [lg.com](http://lg.com) и преземете ги прирачници за корисници.

## Контролна табла

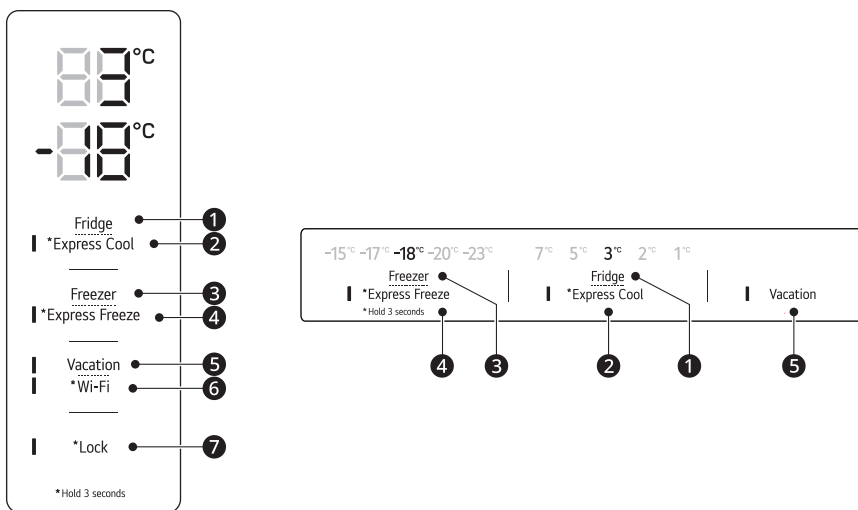
Контролната табла може да се разликува од модел до модел.

### Контролна табла и функции

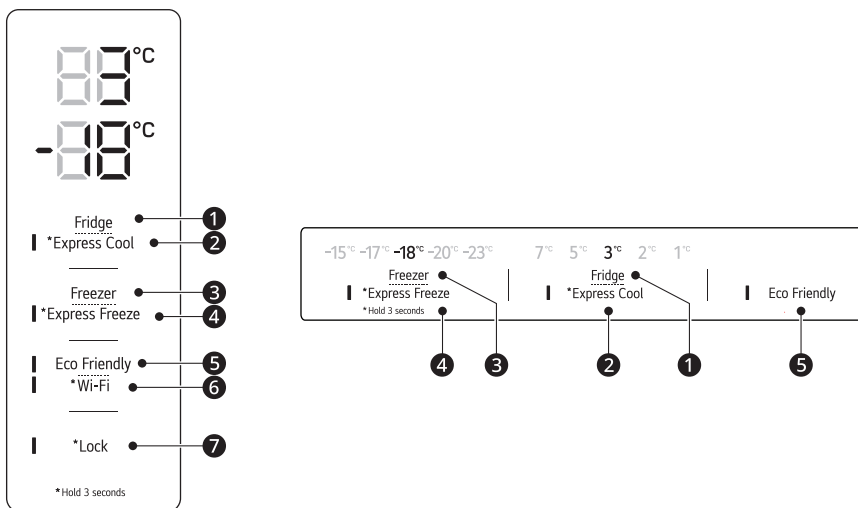
\*1 Оваа функција е достапна само за некои модели.

Контролната табла може да се пронајде на вратата од фрижидерот или во самиот фрижидер, зависно од моделот.

#### Тип А



#### Тип В



**1 Fridge**

Притискајте го ова копче постојано за да изберете температура меѓу 1 °C и 7 °C.

- Стандардната температура на фрижидерот е 3 °C.

**2 Express Cool**

Оваа функција може брзо да излади голема количина на храна, како што е зеленчук, овошје и друго.

- Оваа функција се вклучува и се исклучува секој пат кога ќе го држите копчето 3 секунди.

**3 Freezer**

Притискајте го ова копче постојано за да изберете температура меѓу -15 °C и -23 °C.

- Стандардната температура на замрзнувачот е -18 °C.

**4 Express Freeze**

Со оваа функција може да се замрзне брзо голема количина мраз или замрзната храна.

- Притиснете го копчето Express Freeze за да се активира функцијата во траење од 24 часа. Функцијата автоматски се исклучува по 24 часа.
- Оваа функција се вклучува и се исклучува секој пат кога ќе го држите копчето 3 секунди.
- Кога е вклучен овој режим, може да се зголеми бучавата и потрошувачката на енергија.

**5 Vacation**

Оваа функција е корисна кога сте на одмор. Кога е вклучена функцијава, температурата на фрижидерот е 7 °C, а на замрзнувачот -15 °C. Кога е исклучена функцијава, температурата на фрижидерот и замрзнувачот се враќа на претходните поставки.

- Оваа функција се вклучува и се исклучува секој пат кога ќе го притиснете копчето.
- Кога е вклучен овој режим, не работат другите копчиња освен **Lock** и **Wi-Fi**.
- **Eco Friendly** е преименувана во **Vacation**.

**⚠ ВНИМАНИЕ**

- Кога функцијава е вклучена, внимавајте во однос на складирањето храна за која е потребна пониска температура од стандардната.
- Кога ќе се вратите дома, запомнете да ја исклучите функцијава за да се отклучат другите копчиња и вратете го фрижидерот на претходните поставки за температура.

**6 Wi-Fi\*1**

Ова копче овозможува поврзување на уредот со домашна Wi-Fi мрежа. Погледнете ги **SMART FUNCTIONS** за информации околу првичното поставување на апликацијата **LG ThinQ**.

**7 Lock\*1**

Ги заклучува копчињата на контролната табла.

- За да ги заклучите копчињата на контролната табла, притиснете го и држете го копчето **Lock** 3 секунди додека функцијата не се активира.
- За да ја исклучите функцијата, притиснете го и држете го копчето **Lock** 3 секунди додека функцијата не се деактивира.

**НАПОМЕНА**

- За оптимално чување на храната, се препорачува зголемување или намалување на стандардната температура за секоја преграда за 1 °C или едно ниво.
- Прикажаната температура е целната температура, а не актуелната температура во апаратот.
- Актуелната температура во апаратот зависи од следните фактори: собната температура, количината на храна и колку често се отвораат вратите, локацијата на апаратот. Поставувајте температура земајќи ги предвид овие фактори.
- Контролната табла ќе се исклучи автоматски за заштеда на енергија.
- Ако дојде до контакт меѓу прст или кожа со контролната табла додека ја чистите, може да се активира функцијата на допреното копче.

## Апликација LG ThinQ

Оваа функција е достапна само на моделите со Wi-Fi.

Апликацијата „LG ThinQ“ Ви овозможува да комуницирате со уредот со помош на паметен телефон.

## Карактеристики на апликацијата LG ThinQ

Комуницирајте со апаратот од паметен телефон со помош на практичните паметни функции.

### Паметна дијагностика

- Ако искусите проблем додека ја користите апликацијата, опцијата за паметна дијагностика ќе ви помогне да го дијагностицирате проблемот.

### Подесувања

- Ви овозможува да подесите различни опции кај апаратот и во апликацијата.

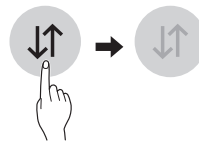
### НАПОМЕНА

- Ако го промените својот безжичен рутер, добавувачот на интернет услуги или лозинката, избришете го регистрираниот апарат од апликацијата **LG ThinQ** и повторно регистрирајте го.
- Апликацијата подлежи на промени заради подобрување на апаратот, без да им се даде предупредување на корисниците.
- Карактеристиките може да варираат во зависност од моделот.

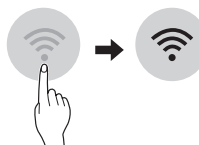
## Пред користење на апликацијата LG ThinQ

- 1 Проверете го растојанието помеѓу апаратот и безжичниот рутер (Wi-Fi мрежата).
  - Ако е преголемо растојанието помеѓу апаратот и безжичниот рутер, доаѓа до слабеење на сигналот. Може да биде потребен подолг временски период за регистрација, или може да доведе до неуспешна инсталација.


- 2 Исклучете ги **Мобилните податоци** или **Ќелиските податоци** на вашиот паметен телефон.



- 3 Поврзете го вашиот паметен телефон со безжичниот рутер.



### НАПОМЕНА

- За да ја потврдите Wi-Fi конекцијата, проверете дали свети иконата  на контролниот панел.
- Апаратот поддржува единствено 2,4 GHz Wi-Fi мрежи. За да ја проверите фреквенцијата на вашата мрежа, контактирајте го вашиот снабдувач со интернет услуги, или погледнете во упатството за вашиот безжичен рутер.
- **LG ThinQ** не е одговорен за било какви проблеми околу конектирањето на мрежата или какви и да било грешки, дефекти или грешки предизвикани од конектирањето на мрежата.
- Ако апаратот има проблеми околу конектирањето на Wi-Fi мрежата, можеби е предалеку од рутерот. Набавете Wi-Fi засилувач (засилувач на дострелот) за да ја подобрите јачината на Wi-Fi сигналот.
- Wi-Fi конекцијата можеби не се поврзува или можеби е прекината поради опкружувањето на домашната мрежа.
- Мрежното поврзување можеби нема да работи правилно во зависност од провајдерот на интернет услугите.
- Околното безжично поврзување можеби придонесува безжичниот мрежен сервис да работи бавно.
- Апаратот не може да се регистрира, поради проблеми со преносот на безжичниот сигнал. Извлечете го кабелот од апаратот и почекајте околу една минута, пред повторно да се обидете.
- Ако е овозможен заштитниот сид на вашиот безжичен рутер, оневозможете го или додадете исклучок во него.


- Името на безжичната мрежа (SSID) треба да биде комбинација од англиски букви и броеви. (Не користете ги специјалните карактери)
- Корисничкиот интерфејс (UI) на паметниот телефон може да варира, во зависност од мобилниот оперативен систем (OS) и производителот.
- Ако безбедносниот протокол на рутерот е поставен на **WEP**, може да не успеете во подесувањето на мрежата. Ве молиме променете го на други безбедносни протоколи (Се препорачува **WPA2**) и повторно регистрирајте го производот.

## Инсталирање на апликацијата LG ThinQ

Побарајте ја апликацијата **LG ThinQ** на Google Play Store & Apple App Store преку вашиот паметен телефон.

- Следете ги инструкциите за преземање и инсталирање на апликацијата.

## Поврзување со Wi-Fi

Кога го користите копчето **Wi-Fi** со апликацијата **LG ThinQ**, апаратот може да се поврзе со домашната Wi-Fi мрежа. Иконата  го покажува статусот на мрежната конекција на апаратот. Иконата свети кога апаратот е поврзан со Wi-Fi мрежата.


### Првична регистрација на апаратот

- Стартувајте ја **LG ThinQ** апликацијата и следете ги инструкциите во апликацијата, за да го регистрирате апаратот.

### Повторно регистрирање на апаратот или регистрирање на друг корисник

- Притиснете и држете го копчето **Wi-Fi** во траење од 3 секунди, за привремено исклучување. Стартувајте ја **LG ThinQ** апликацијата и следете ги инструкциите во неа за да го регистрирате апаратот.

## НАПОМЕНА

- За да ја исклучите функцијата за Wi-Fi, притиснете и држете го копчето **Wi-Fi** во траење од 3 секунди. Иконата  ќе се исклучи.

## Известување за софтвер со отворен код

За да го добиете изворниот код согласно GPL, LGPL, MPL и другите лиценци за отворен код со кои постои обврска за разоткривање на изворниот код содржан во производов и за пристап до сите споменати услови на лиценцата, известувања за авторски права и други релевантни документи, одете на <https://opensource.lge.com>.

LGE исто така ќе ви овозможи слободен код на CD-ROM за цена која ги покрива трошоците за таквото доставување (како на пр. трошоци за медиумот, пратката и манипулативни трошоци) по барање преку е-пошта на [opensource@lge.com](mailto:opensource@lge.com). Понудава има важност во период од три години по нашата последна испорака во врска со производов за секој што ги добива информацииве.

## Напомени за чистење

- Кога вадите полица или фиока од апаратот, извадете ја целата храна што е складирана на полицата или фиоката, за да спречите повреда или оштетување на апаратот.
  - Во спротивно, може да дојде до повреда поради тежината на складираната храна.
- Ако ги чистите надворешните отвори за вентилација на апаратот со правосмукалка, тогаш треба да го исклучите од струја за да избегнете статичко празнење коешто може да ја оштети електрониката или да предизвика струен удар.
- Извадете ги полиците и фиоките и исчистете ги со топла вода, а потоа избришете ги и вратете ги назад.
- Редовно бришете ја заптивката на вратата со влажна мека крпа.
- Истечената храна и дамки на корпите од вратата треба да се чистат затоа што го намалуваат капацитетот на чување на корпата, па дури може и да ја оштетат.
- По чистењето, проверете дали кабелот за струја е оштетен, топол или неправилно вклучен.
- Одржувајте ги чисти отворите за вентилација на надворешноста на апаратот.
  - Затнати отвори за вентилација може да предизвикаат пожар или да го оштетат апаратот.
- Кога ќе ја чистите внатрешноста или надворешноста на апаратот, не бришете ја со груба четка, паста за заби, или некои запалливи материјали. Не користете средства за чистење кои содржат запалливи материји.
  - Тоа може да предизвика промена на бојата или оштетување на апаратот.
  - Запалливи материји: алкохол (етанол, метанол, изопропил алкохол, изобутил алкохол итн.), разредувач, средство за белење, бензен, запаллива течност, абразиви итн.
- За надворешноста на апаратот, користете чист сунѓер или мека крпа и благ детергент во топла вода. Не користете абразивни средства или силни средства за чистење. Темелно избришете го со мека крпа.
- Никогаш не мијте ги полиците или садовите во машина за миење садови.
  - Деловите може да се деформираат поради топлина.
- Редовно чистете ги површините за да не дојдат во контакт со храната и системите за дренажа.
- Ако апаратот е опремен со LED светло, не вадете го капакот на светлото ниту LED светлото, во обид да го поправате или сервисирате. Ве молиме стапете во контакт со Центарот за информации за клиенти на LG Electronics.

## Фрлање на вашиот стар апарат



- Сите електрични и електронски производи треба да се фрлат засебно од комуналниот отпад, односно во собирни капацитети назначени од страна на владата или локалните власти.
- Правилното фрлање на вашиот стар апарат ќе помогне да се спречат потенцијални негативни последици за околината и човековото здравје.
- За подетални информации за фрлањето на вашиот стар апарат, стапете во контакт со општинската служба за отстранување отпад или со продавницата од каде што сте го купиле производот.

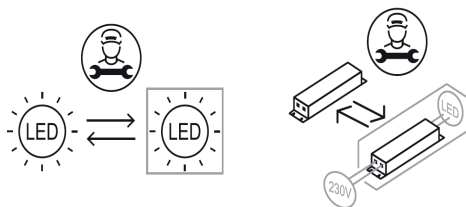
## Пред да повикате услуга

Стапете во контакт со корисничкиот информативен центар на LG Electronics.

- За да пронајдете информации за овластен сервисен центар на LG, одете на веб-страницата [www.lg.com](http://www.lg.com).
- Апаратот треба да го расклопува, поправа или модифицира само квалификуван сервисен персонал во овластен сервисен центар на LG.
- Минималниот гарантен период на овој фрижидер е 24 месеци.
- За да купите резервни делови, стапете во контакт со Центарот за информации за корисници на LG Electronics или одете на нашата веб-страница на [www.lg.com](http://www.lg.com).
- Резервните делови наведени во Регулативата (EU) 2019/2019 се достапни во времетраење од минимум 7 години (само заптивките за вратите се достапни 10 години).

## НАПОМЕНА

- За повеќе информации за енергетската ефикасност на апаратот, одете на <https://ec.europa.eu> и пребарајте со внесување на името на моделот (важечко од 1 март 2021 година).
- Регулатива (EU) 2019/2019, која стапува на сила од 1 март 2021 година, е поврзана со класите на енергетска ефикасност според Регулативата (EU) 2019/2016.
- Скенирајте го QR-кодот на енергетската етикета што сте ја добиле со апаратот и така ќе добиете врска до веб-страница со базата на податоци на EU EPREL со информации поврзани со работата на апаратот. Чувајте ја енергетската етикета како референца заедно со сите други документи испорачани со апаратот (важечко од 1 март 2021 година).
- Името на моделот може да се пронајде на етикетата за моќноста на апаратот.
- Овој производ содржи светлосен извор со ефикасност на енергија класа G.





HANDLEIDING

# KOELKAST & DIEPVRIES

**Lees deze handleiding aandachtig door voordat u het apparaat gebruikt en houd deze te allen tijde binnen handbereik.**

[www.lg.com](http://www.lg.com)

Raadpleeg de gebruikershandleiding op de website van LG voor meer gedetailleerde informatie.  
Copyright © 2019-2023 LG Electronics Inc. Alle rechten voorbehouden



# INHOUDSOPGAVE

Deze handleiding kan afbeeldingen of inhoud bevatten die verschillen van het aangeschafte model.

Deze handleiding is onderhevig aan herziening door de fabrikant.

<b>VEILIGHEIDSVOORSCHRIFTEN</b> .....	<b>3</b>
BELANGRIJKE VEILIGHEIDSINSTRUCTIES .....	3
<b>INSTALLATIE</b> .....	<b>10</b>
Afmetingen en vrije ruimten.....	10
Omgevingstemperatuur .....	10
<b>GEBRUIK</b> .....	<b>11</b>
Aanwijzingen voor het gebruik.....	11
Verslade ( * ).....	12
Verse groentelade ( * ).....	12
Bedieningspaneel.....	14
<b>SMART FUNCTIES</b> .....	<b>16</b>
LG ThinQ-applicatie .....	16
<b>ONDERHOUD</b> .....	<b>18</b>
Opmerkingen bij het reinigen.....	18
Verwijdering van uw oude apparaat .....	18
<b>PROBLEEMOPLOSSING</b> .....	<b>19</b>

## Aanvullende Informatie Van De Handleiding

Dit is een korte versie van de gebruikershandleiding.  
Voor meer informatie bezoekt u de website van LG  
<http://www.lg.com>



## Probleemoplossing




## VEILIGHEIDSVOORSCHRIFTEN

NL

De volgende veiligheidsvoorschriften zijn bedoeld om onvoorziene risico's of schade door onveilig of verkeerd gebruik van het product te voorkomen.

De richtlijnen zijn onderverdeeld in 'WAARSCHUWING' en 'LET OP' zoals hieronder beschreven.

 Dit symbool wordt weergegeven om zaken en handelingen aan te geven die risico's kunnen veroorzaken. Lees het gedeelte met dit symbool zorgvuldig door en volg de instructies om risico's te vermijden.

### WAARSCHUWING

Dit geeft aan dat het niet opvolgen van de instructies ernstig letsel of de dood tot gevolg kan hebben.

### LET OP

Dit geeft aan dat het niet opvolgen van de instructies letsel of schade aan het product tot gevolg kan hebben.

## BELANGRIJKE VEILIGHEIDSINSTRUCTIES

### WAARSCHUWING

Volg om het risico op explosie, vuur, overlijden, elektrische schok, letsel of verbranding van personen tijdens het gebruik van dit product te verminderen de basisvoorzorgsmaatregelen, met inbegrip van de volgende, op:

#### Kinderen in het gezin

- Dit apparaat is niet bedoeld voor gebruik door personen (inclusief kinderen) met verminderde fysieke, zintuiglijke of mentale capaciteiten of een gebrek aan ervaring en kennis, tenzij ze met betrekking tot het gebruik van dit apparaat geïnstrueerd zijn door of onder toezicht zijn van een persoon die verantwoordelijk is voor hun veiligheid. Kinderen moeten onder toezicht gehouden worden om te garanderen dat ze niet met het apparaat spelen.
- Als het apparaat is uitgerust met een vergrendeling (alleen bepaalde modellen), moet u de sleutel buiten het bereik van kinderen bewaren.

### **Voor gebruik in Europa:**

- Dit apparaat kan worden gebruikt door kinderen van 8 jaar en ouder en personen met verminderde lichamelijke, zintuiglijke of verstandelijke vermogens of gebrek aan ervaring en kennis, als ze onder toezicht staan of worden geïnstrueerd over het veilig gebruik van het apparaat en bijbehorende gevaren begrijpen. Kinderen mogen niet met het apparaat spelen. Reiniging en onderhoud door de gebruiker mogen niet worden uitgevoerd door kinderen zonder toezicht.
- Het is toegelaten voor kinderen van 3 tot 8 jaar oud koelapparaten te laden en te lossen.

### **Installatie**

- Dit apparaat mag alleen worden vervoerd door twee of meer mensen die het apparaat veilig vasthouden.
- Zorg ervoor dat het stopcontact goed geaard is en dat de aardpen op het netsnoer niet is beschadigd of verwijderd wordt uit het stopcontact. Voor meer details over aarding informeer bij een LG Electronics-klanteninformatiecentrum.
- Dit apparaat is uitgerust met een voedingskabel met aardgeleiding en een aardstekker. De stekker moet in een passend stopcontact worden gestoken dat correct is geïnstalleerd en geaard volgens alle lokale wetten en verordeningen.
- Als de voedingskabel beschadigd is of de opening van het stopcontact los zit, sluit de stekker dan niet aan en neem contact op met een geautoriseerd servicecentrum.
- Sluit het apparaat niet aan op een meervoudige stopcontacten zonder voedingskabel (gemonteerd).
- Wijzig of verleng het netsnoer niet.
- Het apparaat moet worden aangesloten op een speciale elektriciteitsleiding met een aparte zekering.
- Gebruik geen meervoudige contactdoos die niet juist is geaard (draagbaar). Als u een juiste geaarde meervoudige contactdoos (draagbaar) gebruikt, gebruikt u een uitgang van de meervoudige contactdoos met de huidige capaciteit van de vermogenscode of hoger en gebruikt u de meervoudige contactdoos alleen voor dit apparaat.
- Installeer het apparaat op een plaats waar het gemakkelijk is om de stekker van het apparaat los te koppelen.
- Zorg ervoor dat de kabel vanaf de stekker niet omhoog wijst of dat het apparaat niet tegen de stekker leunt.

- Installeer het apparaat op een stevige en vlakke vloer.
- Installeer het apparaat niet op een vochtige en stoffige plek. Installeer of bewaar het apparaat niet buiten of in een gebied dat is onderworpen aan weersomstandigheden, zoals direct zonlicht, wind of regen of temperaturen onder het vriespunt.
- Plaats het apparaat niet in direct zonlicht op en stel het niet bloot aan de warmte van verwarmingstoestellen zoals ovens of kachels.
- Zorg ervoor dat u de achterkant van het apparaat niet blootstelt tijdens de installatie.
- Zorg ervoor dat u het apparaat niet laat vallen tijdens montage of demontage.
- Zorg ervoor dat de kabel niet doorgeprikt of beschadigd wordt tijdens montage of demontage van de deur van het apparaat.
- Plaats geen stekkeradapter of andere accessoires op de stekker.

## **Gebruik**

- Gebruik het apparaat niet voor andere doeleinden (opslag van medische of experimentele materialen of voor verzending) dan voor huishoudelijk gebruik voor opslag van voedsel.
- Trek de stekker uit het stopcontact tijdens hevig onweer of wanneer het apparaat langere tijd niet wordt gebruikt.
- Raak de stekker of apparaatknoppen niet aan met natte handen.
- Buig de voedingskabel niet overmatig en plaats er geen zware voorwerpen op.
- Als er water in de elektrische onderdelen van het apparaat dringt, trek dan de stekker uit het stopcontact en neem contact op met een LG Electronics-klanteninformatiecentrum.
- Plaats geen handen of metalen voorwerpen in het gebied waar koude lucht wordt afgegeven, in de behuizing of in de warmteafgevendende spiraal aan de achterkant.
- Oefen geen overmatige druk uit op de achterkant van het apparaat en stoot het niet.
- Zet geen dieren, zoals huisdieren, in het apparaat.
- Let bij het openen of sluiten van de deur van het apparaat op kinderen in de onmiddellijke omgeving. De deur kan tegen het lichaam van het kind slaan en letsel veroorzaken. Laat niet toe dat iemand aan de deuren hangt omdat de eenheid daardoor kan omvallen en dit ernstig letsel kan veroorzaken.

- Vermijd het gevaar van kinderen die vast komen te zitten in het apparaat. Een kind dat vastzit in het apparaat, kan stikken.
- Plaats geen zware of breekbare voorwerpen, reservoirs gevuld met vloeistof, brandbare stoffen, brandbare voorwerpen (zoals kaarsen, lampen, enz.) of verwarmingsapparaten (zoals kachels, verwarmingstoestellen, enz.) op het apparaat.
- In geval van een gaslek (isobutaan, propaan, aardgas, enz.) mag u het apparaat of de stekker niet aanraken en dient u de ruimte onmiddellijk goed te verluchten. Dit toestel maakt gebruik van koelgas (isobutaan, R600a). Hoewel er maar een kleine hoeveelheid gas wordt gebruikt, is het nog steeds brandbaar gas. Gaslekkage tijdens vervoer van het apparaat, installatie of gebruik kan brand, explosie of ietsel veroorzaken als er vonken ontstaan.
- Gebruik of bewaar geen ontvlambare of brandbare stoffen (ether, benzeen, alcohol, chemische stoffen, LPG, brandbare spray, insecticide, luchtverfrisser, cosmetica, enz.) in de buurt van het apparaat.
- Trek onmiddellijk de stekker uit het stopcontact en neem contact op met het LG Electronics-klanteninformatiecentrum als u een vreemd geluid, een geur of rook waarneemt die van het apparaat af komen.
- Vul de ijsmaker of de waterdispensertank alleen met drinkwater.
- Breng geen schade toe aan het koelcircuit.
- Laat geen elektronisch apparaat (zoals verwarmingsapparaat en mobiele telefoon) in het apparaat achter tijdens gebruik.

## Onderhoud

- Haal de stekker uit het stopcontact voordat u het apparaat schoonmaakt of de lamp aan de binnenkant (indien aanwezig) vervangt.
- Steek de stekker stevig in het stopcontact na het volledig verwijderen van al het vocht en stof.
- Haal de stekker nooit uit het apparaat door aan de voedingskabel te trekken. Grijp de stekker altijd stevig vast en trek hem recht uit het stopcontact.
- Spuit geen water of brandbare stoffen (tandpasta, alcohol, thinner, benzeen, brandbare vloeistof, schurende vloeistoffen, enz.) op de binnenkant of buitenkant van het apparaat om het te reinigen.

- Reinig het apparaat niet met borstels, doeken of sponzen met ruwe oppervlakken of die zijn gemaakt van metaal.
- Het product mag alleen worden gedemonteerd, gerepareerd of gewijzigd door een gekwalificeerde reparateur van een LG Electronics-servicecentrum. Neem contact op met een LG Electronics-klanteninformatiecentrum als u het apparaat naar een andere locatie verplaatst en installeert.
- Gebruik geen föhn om de binnenkant van het apparaat te drogen en plaats geen kaars binnenin om geuren te verwijderen.
- Gebruik geen mechanische apparaten of andere middelen om het ontdooien te versnellen.

### **Verwijdering**

- Wanneer u het apparaat weggooit, verwijder dan de deurafdichting maar laat de schappen en lades op hun plaats en houd kinderen uit de buurt van het apparaat.
- Gooi alle verpakkingsmaterialen (zoals vinyl en piepschuim) weg uit de buurt van kinderen. De verpakkingsmaterialen kunnen verstikking veroorzaken.

### **Technische veiligheid**

- Zorg ervoor dat de ventilatieopeningen in het al dan niet ingebouwde toestel vrij blijven.
- Plaats geen elektrische apparaten in de koelkast.
- Het in het toestel gebruikte koelende en isolerende spuitgas moet op een speciale manier worden verwerkt bij de afvalverwerking. Neem contact op met uw serviceleverancier of met een gelijkwaardig gekwalificeerde persoon voordat u het apparaat verwijdert.
- Het koelmiddel dat uit de pijpen lekt, kan ontvlammen of een explosie veroorzaken.
- De hoeveelheid koelmiddel in uw specifiek apparaat wordt weergegeven op het typeplaatje aan de binnenzijde van het apparaat.
- Start een toestel dat zichtbare schade vertoont, nooit op. Neem bij twijfel contact op met uw dealer.
- Dit apparaat is alleen bedoeld voor gebruik in huishoudelijke en soortgelijke toepassingen. Het mag niet worden gebruikt voor commerciële of cateringdoeleinden of in een mobiele toepassing, zoals een caravan of boot.

- Bewaar geen explosieve stoffen zoals spuitbussen met een brandbaar drijfgas in dit apparaat.
- Dit koelapparaat is niet bedoeld voor gebruik als inbouwapparaat.

### **Risico van brand en brandbaar materiaal**



Dit symbool wijst er u op de aanwezigheid van brandbaar materiaal dat kan ontsteken en brand veroorzaken als u niet voorzichtig bent.

- Dit apparaat bevat een kleine hoeveelheid isobutaan koelmiddel (R600a) dat echter ook erg brandbaar is. Ga voorzichtig te werk wanneer u het toestel vervoert en installeert en zorg ervoor dat er geen elementen van het koelcircuit worden beschadigd.
- Indien u een lek vaststelt, zorg er dan voor dat u geen open vuur maakt en vermijd andere mogelijke ontstekingsbronnen. Verlucht de ruimte waarin het apparaat staat gedurende enkele minuten. Om de vorming van een ontvlambaar gas-luchtmengsel te voorkomen als er een lek in het koelcircuit is, dient de grootte van de ruimte waarin het apparaat wordt gebruikt in overeenstemming te zijn met de hoeveelheid koelmiddel die wordt gebruikt. De ruimte moet 1m<sup>2</sup> groot zijn voor elke 8 g R600a koelmiddel in het apparaat.
- Wanneer u het apparaat plaatst, moet u erop letten dat het netsnoer niet geklemd of beschadigd wordt.
- Plaats geen meervoudige draagbare stopcontacten-stekkers of draagbare voedingen achter het apparaat.

### **⚠ LET OP**

**Volg om het risico op licht letsel aan personen, slechte werking of schade aan het product of eigendommen bij het gebruik van dit product te verlagen de algemene voorzorgsmaatregelen, met inbegrip van de volgende, op:**

#### **Installatie**

- Het apparaat niet kantelen om het te trekken of te duwen bij transport.
- Zorg ervoor dat er geen lichaamsdeel, zoals een hand of voet, klem komt te zitten tijdens het verplaatsen van het apparaat.

## **Gebruik**

- Raak bevroren voedsel of de metalen onderdelen in het vriesvak niet aan met natte of vochtige handen. Dit kan bevroering veroorzaken.
- Plaats geen glazen houders, flessen of blikjes (vooral deze die koolzuurhoudende dranken bevatten) in het vriesvak of op schappen of in de ijsbak die wordt blootgesteld aan temperaturen onder het vriespunt.
- Het geharde glas aan de voorkant van de deur van het apparaat of de schappen kan door een schok worden beschadigd. Als deze zijn beschadigd, mag u ze niet met de handen aanraken.
- Hang niet aan de deuren, opslagruimte of plank van het apparaat en klim er niet op.
- Bewaar niet te veel waterflessen of waterreservoirs voor bijgerechten in de deurmanden.
- Voorkom dat dieren aan de voedingskabel of de waterslang knagen.
- De deur van het apparaat niet overmatig krachtig openen of sluiten.
- Als het scharnier van de deur van het product beschadigd is of niet goed functioneert, stop dan met het gebruik en neem contact op met het LG Electronics-servicecentrum.
- Reinig glazen schappen of afdekkingen niet met warm water als ze koud zijn.
- Eet nooit diepvriesproducten direct nadat ze uit de diepvries zijn gehaald.
- Zorg ervoor dat er geen hand of voet klem komt te zitten tijdens het openen en sluiten van de deur van het apparaat.

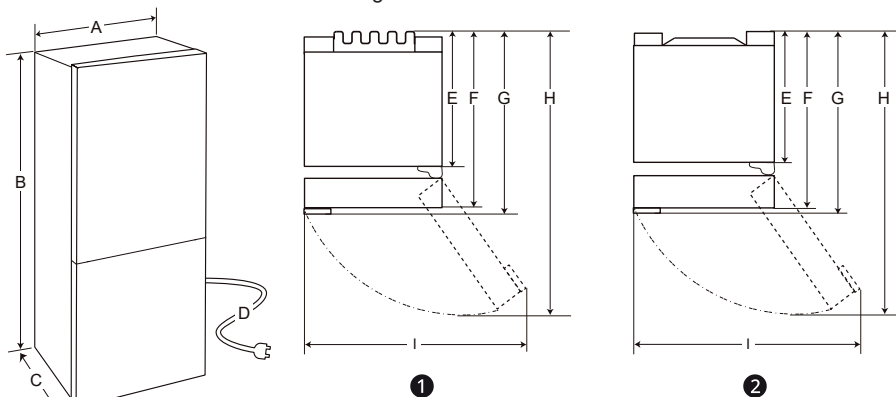
## **Onderhoud**

- Plaats de schappen niet ondersteboven, omdat deze kunnen vallen.
- Om vorst uit het apparaat te verwijderen, kunt u contact opnemen met het LG Electronics-klanteninformatiecentrum.



## Afmetingen en vrije ruimten

Als het apparaat te dicht bij aangrenzende voorwerpen wordt geplaatst, kan dit leiden tot een lagere vriescapaciteit en verhoogde elektriciteitskosten. Laat bij het installeren van het apparaat een vrije ruimte van minimaal 50 mm tot elke aangrenzende muur.



	①		②	
	Grootte [mm]			
	Zaktype handvat	Staaftype handvat	Zaktype handvat	Staaftype handvat
A	595	595	595	595
B	1 860 / 2 030	1 860 / 2 030	1 860 / 2 030	1 860 / 2 030
C	682	718	675	712
D	2 100	2 100	2 100	2 100
E	616	616	610	610
F	682	682	675	675
G	-	718	-	712
H	1 230	1 237	1 225	1 232
I	995	995	995	995

### OPMERKING

- De afmetingen in de bovenstaande tabel zijn bij benadering.

## Omgevingstemperatuur

- Het apparaat is ontworpen om te werken binnen een beperkte omgevingstemperatuur, afhankelijk van de klimaatzone.
- De interne temperaturen kunnen worden beïnvloed door de locatie van het apparaat, de omgevingstemperatuur, het aantal keer dat de deur wordt geopend, enzovoort.
- De klimaatklasse bevindt zich op het typeplaatje.

Klimaatklasse	Omgevingstemperatuurbereik °C
SN (Zeer Gematigd)	+10 - +32
N (Gematigd)	+16 - +32
ST (Subtropisch)	+16 - +38
T (Tropisch)	+16 - +43 / +10 - +43*

\*Australië, India, Kenia

### OPMERKING

De apparaten van SN tot T zijn bedoeld om te worden gebruikt bij een omgevingstemperatuur tussen 10 °C en 43 °C.

## Aanwijzingen voor het gebruik

- Gebruikers moeten in gedachten houden dat er zich ijs kan vormen wanneer de deur volledig gesloten is, als de luchtvochtigheid hoog is tijdens de zomer, of als de diepvriesdeur vaak wordt geopend.
- Zorg dat er voldoende ruimte is tussen voedsel opgeslagen op de plank en het vak in de deur, zodat de deur volledig te sluiten is.
- Als de deur langdurig wordt geopend, kan dit een aanzienlijke temperatuurstijging veroorzaken in de compartimenten van het apparaat.
- Als het koelapparaat gedurende lange perioden leeg blijft, moet u het uitschakelen, ontdooien, reinigen, drogen en de deur geopend laten om schimmelvorming in het apparaat te voorkomen.

## Suggestie voor energiebesparing

- Zorg dat er voldoende ruimte is tussen opgeslagen voedsel. Dit maakt het mogelijk dat koude lucht gelijkmatig wordt verspreid en dit verlaagt de elektriciteitsrekening.
- Berg warme maaltijden pas nadat deze zijn afgekoeld op om damp of ijsvorming te voorkomen.
- Zet bij het opslaan van voedsel in de diepvries de diepvriestemperatuur lager dan de temperatuur aangegeven op het voedsel.
- Leg het voedsel niet in de buurt van de temperatuursensor. Houd een afstand van minimaal 3 cm vanaf de sensor.
- Houd er rekening mee dat er maar een beperkte temperatuurstijging na ontdooiing is toegestaan volgens de specificaties van het apparaat. Wilt u de impact van de temperatuurstijging op het opgeslagen voedsel minimaliseren, verzegel of wikkel dan het opgeslagen voedsel in verschillende lagen.
- Het automatisch ontdooiingssysteem in het apparaat zorgt ervoor dat er in het vak geen ijs wordt opgebouwd onder normale gebruiksomstandigheden.
- Bewaar alle binnenste onderdelen (bv. deurbakken, laden en legplanken) op hun oorspronkelijke plaats voor een zo efficiënt mogelijk gebruik van energie.
- Stel de temperatuur van het apparaat niet lager in dan nodig is.

## Voedsel efficiënt bewaren

- Bewaar bevroren of gekoeld voedsel in afgesloten verpakkingen.
- Controleer de vervaldatum en het etiket (bewaarinstructies) voordat u voedsel in het apparaat legt.
- Bewaar voedsel niet te lang (meer dan 4 weken) als het gemakkelijk bederft bij een lage temperatuur.
- Plaats het gekoelde of bevroren voedsel onmiddellijk na aankoop in respectievelijk de koelkast of de vriezer. Vermijd het opnieuw invriezen van voedsel dat volledig ontdooid is. Opnieuw invriezen van voedsel dat volledig gesmolten is, zal de smaak en voedingswaarde verlagen.
- Sla rauw vlees en vis op in geschikte containers in de koelkast zodat ze niet in contact komen met of druppen op andere etenswaren.
- Geen groenten in een krant wikkelen en opslaan. Gedrukt krantenmateriaal of andere vreemde stoffen kunnen afgeven op levensmiddelen.
- Stop niet teveel in het apparaat. Als het apparaat te vol zit kan de koude lucht niet goed circuleren.
- Als u een te lage temperatuur voor voedsel instelt, kan het bevriezen. Stel geen temperatuur in onder diegene die vereist is om het voedsel correct te bewaren.
- Om meer ruimte vrij te maken, kunt u het flessenrek, de eierhouder, de ijslade en het groentevak verwijderen.
- Voedsel kan bevroren of bederven als het op de verkeerde temperatuur wordt bewaard. Stel de koelkast in op de juiste temperatuur voor het voedsel dat wordt bewaard.

## Maximale invriescapaciteit

- De Express Freeze-functie stelt de vriezer in op de maximale vriescapaciteit. Dit duurt meestal 24 uur en de functie wordt daarna automatisch uitgeschakeld.
- Als de maximale vriescapaciteit wordt gebruikt, moet de Express Freeze-functie minimaal 7 uur van tevoren worden ingeschakeld, voordat verse producten in het vriesvak kunnen worden geplaatst.

## De maximale hoeveelheid voedsel invriezen

- Voor een betere luchtcirculatie plaatst u alle laden.
- Als er grote hoeveelheden voedsel moeten worden bewaard, moeten alle diepvriesladen uit het apparaat worden genomen en het voedsel moet rechtstreeks op het diepvriesschap (of de diepvriesschappen) van het vriesvak worden gestapeld.

### OPMERKING

- Om de lades te verwijderen, moet u eerst het eten uit de lades verwijderen en vervolgens de lades voorzichtig uittrekken. Als u dit niet doet, kan dit letsel of schade aan de laden veroorzaken.
- De vorm van elke lade kan verschillend zijn. Plaats ze op de juiste positie.

## De temperatuur instellen

Dit stelt de koelkast- of diepvriestemperatuur in.

- Druk op de **Fridge**-knop of **Freezer**-knop om de temperatuur aan te passen.
- De temperatuur kan worden ingesteld.
  - Koelkast: van 1 °C tot 7 °C
  - Diepvriezer: van -15 °C tot -23 °C
- De begintemperatuur is ingesteld.
  - Koelkast: 3 °C
  - Diepvriezer: -18 °C

De werkelijke temperatuur binnenin varieert afhankelijk van de status van het voedsel aangezien de ingestelde temperatuur een doeltemperatuur is en niet de werkelijke temperatuur in het apparaat.

### OPMERKING

- De standaard ingestelde temperatuur kan variëren, afhankelijk van het toestel.
- Voor een optimale conservering van levensmiddelen wordt aanbevolen de temperatuur voor elk compartiment te verhogen of te verlagen met 1 °C of één niveau ten opzichte van de standaardtemperatuur.
- Wacht tot 2 of 3 uur na het aansluiten van het apparaat op het stopcontact voordat u voedsel in het apparaat opslaat.
- Om bij normale temperaturen ijs te maken dient de temperatuur van de vriezer ingesteld te zijn op -18 °C of kouder.

## Alarm voor hoge temperatuur

Wanneer de temperatuur in de vriezer te hoog wordt door stroomuitval, zal het vriezer-temperatuur LED-lampje knipperen en klinkt er een alarm.

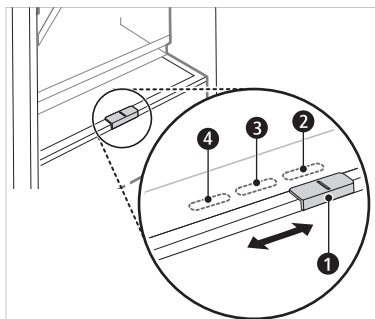
- Druk op de **Freezer**-knop om het alarm uit te schakelen.
- Als de temperatuur koud genoeg is, knippert het lampje niet meer en wordt het alarm automatisch uitgeschakeld.

- Deze functie werkt:
  - Wanneer het apparaat wordt ingeschakeld.
  - Wanneer de temperatuur in het vriesvak te hoog wordt.
  - Wanneer er een langdurige stroomuitval is.
  - Wanneer er grote hoeveelheden warm voedsel in het vriesvak worden gezet.
  - Wanneer de deur van de vriezer gedurende lange tijd openstaat of te vaak open en dicht wordt gedaan.

## Verlade ( \* )

De temperatuur van de verslade kan worden ingesteld door het verschuiven van de hendel ① die zich voor het koelvak bevindt.

Als u groenten bewaart bij een temperatuur voor Vlees of Vis, kan het zijn dat ze sneller bederven.



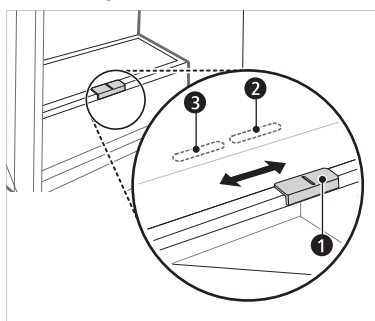
- ② Voor het bewaren van groenten. (Aanbevolen)
- ③ Voor het bewaren van vis.
- ④ Voor het bewaren van vlees.

### OPMERKING

- ( \* ) : Deze functie is afhankelijk van het model dat aangeschaft is.

## Verse groentelade ( \* )

U kunt de vochtigheid van de verse groenteladen aanpassen door de knop te verschuiven ①.



② Voor het bewaren van groenten.  
(Aanbevolen)

③ Voor het bewaren van fruit.

### OPMERKING

- (\*): Deze functie is afhankelijk van het model dat aangeschaft is.

## Voedselcompartimenten

### Voedsel bewaren in het koelkast compartiment

#### • Schap koelkast

- Hier worden gekoelde voedingsmiddelen en andere etenswaren of drinkwaren bewaard.
- De schaphoogte kan worden ingesteld door het schap in een andere gleuf met een verschillende hoogte te plaatsen
- Bewaar voeding met een hoger vochtgehalte vooraan in het schap.
- Het werkelijke aantal schappen kan verschillen afhankelijk van het model.

#### • Flessenrek (\*)

- Hier worden grote flessen of drankcontainers bewaard.

#### • Koelkastschap (\*)

- Hier worden gekoelde voedingsmiddelen en grote verpakkingen bewaard.

#### • Verse groentelade (\*)

- Hier worden fruit en groente bewaard om ervoor te zorgen dat ze vers blijven door de instelbare vochtigheidsregeling
- Het uiterlijk van componenten van het apparaat kan per model verschillen.

#### • Verslade (\*)

- In dit koelvak worden vlees, vis en groente bewaard. U kunt de versheid van deze producten verlengen door middel van de vochtigheidsregeling achter de lade.
- Als u meer ruimte nodig hebt, kunt u de koelruimte gebruiken zonder lade.

#### • Verwijderbaar eierrekje

- Hier worden eieren bewaard.
- U kunt het eierrekje naar eigen behoefte verwijderen of verplaatsen. Gebruik het niet als ijsbak en plaats het niet op het schap bovenaan de koelkast of in de groentelade.

#### • Deurvak koelkast

- Hier worden kleine verpakkingen met gekoelde voedingsmiddelen, drankjes en sauzen bewaard.

#### • Waterdispensertank (\*)

- Hier wordt het water bewaard dat wordt gebruikt voor de dispenser of de automatische ijsmaker. De tank dient handmatig gevuld te worden. (Alleen voor modellen zonder wateraansluiting)

## Voedsel in het vriesvak bewaren

#### • Ijsbak

- Dit is waar ijs wordt gemaakt en opgeslagen.
- Als u meer ruimte nodig hebt, kunt u de ijsbak of ijsblokjesemmer verwijderen.

#### • Vrieslade

- Dit is voor langdurige opslag van bevroren producten.
- Om levensmiddelen snel in te vriezen, slaat u de levensmiddelen op in de linkerkant van de bovenste lade. Levensmiddelen zullen het snelst in de zone bevriezen.

### OPMERKING

- (\*): Deze functie is afhankelijk van het model dat aangeschaft is.
- Voor meer informatie over andere compartimenten, bezoekt u [lg.com](http://lg.com) en download de eigenaar handleidingen.

## Bedieningspaneel

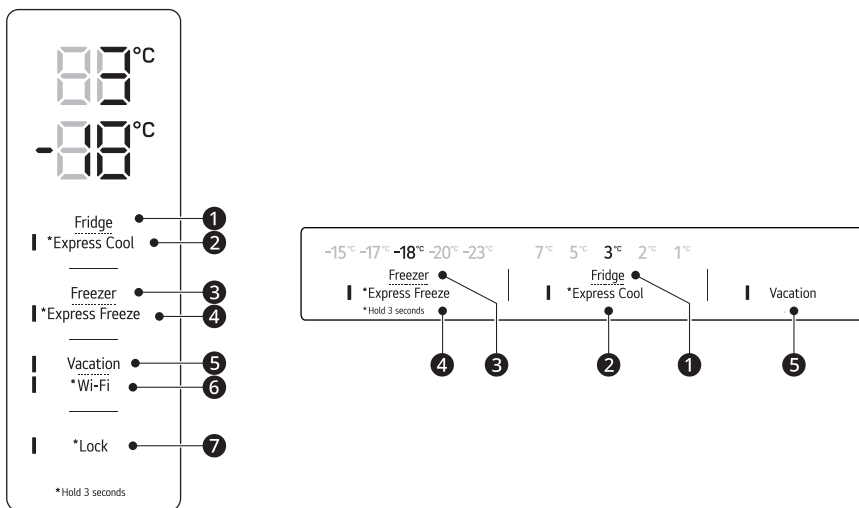
Het werkelijke bedieningspaneel kan verschillen afhankelijk van het model.

### Bedieningspaneel en functies

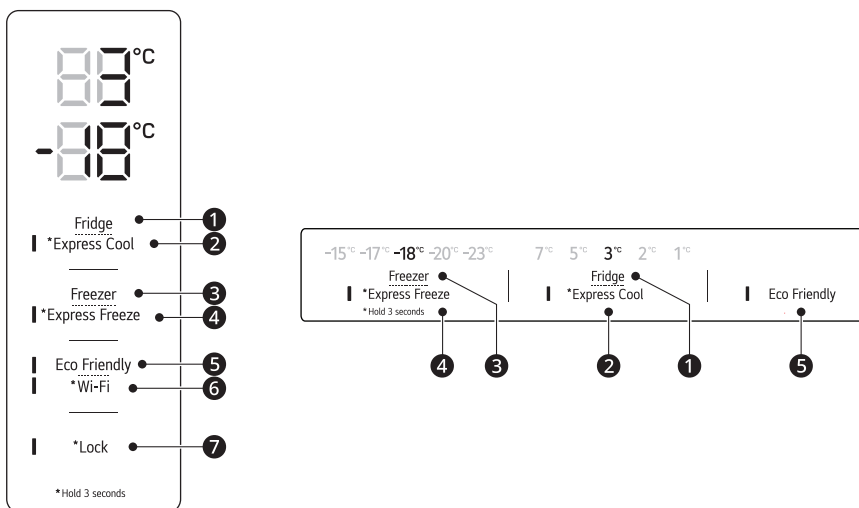
\*1 Deze functie is enkel beschikbaar op sommige modellen.

Het bedieningspaneel is te vinden op de koelkastdeur of in de koelkast, afhankelijk van het model.

#### Type A



#### Type B



**1 Fridge**

Druk herhaaldelijk op deze knop om een gewenste temperatuur tussen 1 °C en 7 °C te kiezen.

- De standaard koelkasttemperatuur is 3 °C.

**2 Express Cool**

Met deze functie kunt u snel grote hoeveelheden voedsel koelen, zoals groenten, fruit, enzovoort.

- Telkens als u voor 3 seconden op de knop drukt, wordt de functie in- en uitgeschakeld.

**3 Freezer**

Druk herhaaldelijk op deze knop om een gewenste temperatuur tussen -15 °C en -23 °C te kiezen.

- De standaard vriestemperatuur is -18 °C.

**4 Express Freeze**

Met deze functie kunt u snel grote hoeveelheden ijs of bevroren voedsel invriezen.

- Druk op de Express Freeze-knop om de functie gedurende 24 uur te activeren. De functie wordt na 24 uur automatisch uitgeschakeld.
- Telkens als u voor 3 seconden op de knop drukt, wordt de functie in- en uitgeschakeld.
- Wanneer deze modus is ingeschakeld, kan er geluid optreden en kan het energieverbruik toenemen.

**5 Vacation**

Deze functie is nuttig als u op vakantie bent. Wanneer deze functie is ingeschakeld, is de koelkasttemperatuur 7°C en de vriestemperatuur -15°C. Wanneer deze functie is uitgeschakeld, keren de koelkast en de vriestemperatuur terug naar de vorige temperatuurinstellingen.

- Telkens als u op de knop drukt, wordt de functie ingeschakeld en uitgeschakeld.
- Wanneer deze modus ingeschakeld is, zullen de andere knoppen, met uitzondering van de Locken de Wi-Fi-knoppen, niet werken.
- **Eco Friendly** is omgedoopt tot **Vacation**.

**⚠ LET OP**

- Wanneer deze functie is ingeschakeld, wees dan voorzichtig met het bewaren van voedsel dat een lagere temperatuur vereist dan de vooraf ingestelde temperatuur.
- Vergeet niet deze functie uit te schakelen wanneer u thuiskomt om de andere toetsen te ontgrendelen en de vorige temperatuurinstellingen van de koelkast te herstellen.

**6 Wi-Fi\*1**

Deze knop stelt het apparaat in staat om verbinding te maken met een huis Wi-Fi netwerk. Raadpleeg **SMART FUNCTIONS** voor informatie over de initiële instelling van de **LG ThinQ** applicatie.

**7 Lock\*1**

Hiermee vergrendelt u de knoppen op het bedieningspaneel.

- Om de knoppen van het bedieningspaneel te vergrendelen, houdt u de **Lock** knop 3 seconden ingedrukt tot de functie wordt geactiveerd.
- Om de functie uit te schakelen, houdt u de **Lock** knop 3 seconden ingedrukt tot de functie wordt gedeactiveerd.

**OPMERKING**

- Voor een optimale conservering van levensmiddelen wordt aanbevolen de temperatuur voor elk compartiment te verhogen of te verlagen met 1 °C of één niveau ten opzichte van de standaardtemperatuur.
- De weergegeven temperatuur is de richttemperatuur, en niet de werkelijke temperatuur in het apparaat.
- De werkelijke temperatuur in het apparaat hangt af van de volgende factoren: kamertemperatuur, de hoeveelheid voedsel en hoe vaak de deuren geopend worden, waar het apparaat staat. Stel de temperaturen in aan de hand van deze factoren.
- Het bedieningspaneel zal automatisch uitgeschakeld worden om energie te besparen.
- Als er vinger- of huidcontact is met het bedieningspaneel tijdens het schoonmaken, kan de knopfunctie mogelijk actief worden.

## LG ThinQ-applicatie

Deze functie is alleen beschikbaar op modellen met Wi-Fi.

Met de **LG ThinQ**-applicatie kunt u via een smartphone verbinding maken met het apparaat.

## LG ThinQ toepassing eigenschappen

Communiceer met het apparaat via een smartphone met gebruik van de gemakkelijke smartphone-functies.

### Smart Diagnosis

- Als u een probleem ervaart tijdens het gebruik van het apparaat, zal deze smart diagnosis functie u helpen met de diagnose voor het probleem.

### Instellingen

- Hiermee kunt u de verschillende opties op het apparaat en in de applicatie instellen.

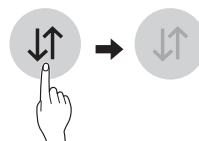
### OPMERKING

- Als u uw draadloze router of wachtwoord wijzigt of van internetprovider verandert, verwijdert u het geregistreerde apparaat uit de **LG ThinQ**-applicatie en registreert u het opnieuw.
- De applicatie kan zonder voorafgaande kennisgeving worden gewijzigd.
- Functies kunnen per model variëren.

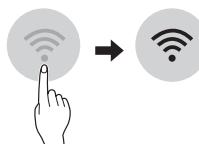
## Voordat u de LG ThinQ-applicatie gaat gebruiken

- 1 Controleer de afstand tussen het apparaat en de draadloze router (Wi-Fi-netwerk).
  - Als de afstand tussen het toestel en de draadloze router te groot wordt kan het signaal zwak worden. Het registreren kan lange tijd duren of de installatie kan mislukken.

- 2 Schakel **Mobiele gegevens** op uw smartphone uit.



- 3 Verbind uw smartphone met de draadloze router.



### OPMERKING

- Om de Wi-Fi-verbinding te verifiëren, controleert u of het -pictogram op het controlepaneel aan is.
- Het toestel ondersteunt alleen Wi-Fi-netwerken van 2.4 GHz. Neem contact op met uw internetprovider of raadpleeg de handleiding van uw draadloze router om de netwerkfrequentie te controleren.
- **LG ThinQ** is niet verantwoordelijk voor fouten of problemen met de netwerkverbinding of voor gebreken, een verkeerde werking of fouten die door de netwerkverbinding worden veroorzaakt.
- Indien het apparaat moeilijkheden ondervindt bij het verbinden met het Wifi-netwerk, kan het te ver verwijderd zijn van de router. Koop een Wifi-signaalversterker (bereikvergroter) om de sterkte van het Wifi-signaal te verbeteren.
- De omgeving van het thuisnetwerk kan veroorzaken dat er geen- of moeilijk verbinding met de applicatie kan worden gemaakt.
- Indien de netwerkverbinding niet correct werkt kan de oorzaak liggen bij de Netwerkprovider.
- De omgeving van het draadloosnetwerk kan veroorzaken dat de wifi-verbinding traag is.
- Het toestel kan niet geregistreerd worden vanwege problemen met het draadloze signaal. Haal de stekker van het toestel uit het stopcontact en wacht één minuut om het opnieuw te proberen.
- Als de firewall van uw draadloze router is ingeschakeld, schakel deze dan uit of voeg een uitzondering toe.

- De draadloze netwerknaam (SSID) moet een combinatie zijn van Engelse letters en nummers. (Gebruik geen speciale tekens.)
- De gebruikersinterface (UI) van de smartphone kan variëren afhankelijk van het mobiele besturingssysteem (OS) en de fabrikant.
- Als het beveiligingsprotocol van de router is ingesteld op **WEP**, kunt u mogelijk het netwerk niet instellen. Gebruik andere beveiligingsprotocollen (**WPA2** wordt aanbevolen) en registreer het product opnieuw.

## Installatie van de LG ThinQ applicatie

Zoek naar de **LG ThinQ** applicatie vanuit de Google Play Store of Apple App Store op een smartphone.

- Volg de instructies om de applicatie te downloaden en te installeren.

## Verbinding maken met Wi-Fi

Indien de **Wi-Fi** knop samen met de applicatie **LG ThinQ** wordt gebruikt, is het mogelijk het apparaat met een Wifi thuisnetwerk te verbinden. Het  pictogram geeft de status van de netwerkverbinding van het apparaat weer. Het pictogram licht op wanneer het apparaat met het Wi-Fi netwerk is verbonden.


### Eerste registratie van de apparatuur

- Open de applicatie **LG ThinQ** en volg de aanwijzingen in de applicatie om het apparaat te registreren.

### Het apparaat opnieuw registreren of een andere gebruiker registreren

- Houd de knop **Wi-Fi** gedurende 3 seconden ingedrukt om deze tijdelijk uit te schakelen. Open de applicatie **LG ThinQ** en volg de aanwijzingen in de applicatie om het apparaat te registreren.

## OPMERKING

- Om de Wi-Fi-functie uit te schakelen, houdt u de knop **Wi-Fi** gedurende 3 seconden ingedrukt. Het  pictogram wordt uitgeschakeld.

## Informatiebericht over Open Source-software

Om de broncode te verkrijgen onder GPL, LGPL, MPL, en andere open source licenties die de verplichting hebben broncode vrij te geven, die in dit product is opgenomen, en om toegang te krijgen tot alle genoemde licentievoorwaarden, copyrightkennisgevingen en andere relevante documenten, bezoek <https://opensource.lge.com>. LG Electronics zal u tevens open-source code ter beschikking stellen op CD-ROM tegen de kostprijs van verspreiding (zoals de kosten voor media, verzending en handling) na ontvangst van een verzoek per e-mail naar [opensource@lge.com](mailto:opensource@lge.com). Dit aanbod is geldig voor iedereen die deze informatie ontvangt voor een periode van drie jaar na onze laatste verzending van dit product.



## Opmerkingen bij het reinigen

- Bij het verwijderen van een plank of lade in het apparaat, verwijder al het opgeslagen voedsel uit de kast of lade om letsel of schade aan het apparaat te voorkomen.
  - Anders kan er letsel worden veroorzaakt als gevolg van het gewicht van de opgeslagen voedingsmiddelen.
- Bij het schoonmaken van de buitenkant van de ventilatieopeningen in het apparaat door middel van stofzuigen, moet het netsnoer worden losgekoppeld van het stopcontact om eventuele statische ontlading te voorkomen die de elektronica kan beschadigen of een elektrische schok kan veroorzaken.
- Maak de planken en laden los en maak ze schoon met water en droog ze daarna voldoende, alvorens ze te vervangen.
- Neem de rubbers van de deur regelmatig af met een natte, zachte handdoek.
- Geknoeid voedsel en vlekken in de deurvakken moeten worden schoongemaakt omdat deze het opslaan van producten nadelig kunnen beïnvloeden en zelfs kunnen zorgen voor beschadigingen.
- Controleer na het reinigen of de voedingskabel beschadigd, warm of niet goed aangesloten is.
- Houd de ventilatieopeningen aan de buitenkant van het apparaat schoon.
  - Verstopte ventilatieopeningen kunnen brand of schade aan het apparaat veroorzaken.
- Reinig de binnen- of buitenkant van het apparaat niet met een ruwe borstel, tandpasta of brandbare stoffen. Gebruik geen reinigingsmiddelen die brandbare stoffen bevatten.
  - Dit kan leiden tot verkleuring of beschadiging van het apparaat.
  - Brandbare stoffen: alcohol (ethanol, methanol, isopropylalcohol, isobutylalcohol, enz.), verdunningsmiddelen, bleekmiddel, benzeen, brandbare vloeistoffen, schuurmiddelen, enz..
- Gebruik voor de buitenkant van het apparaat een schone spons of een zachte doek en een mild reinigingsmiddel in warm water. Gebruik geen schurende of agressieve schoonmaakmiddelen. Droog met een zachte doek.
- Reinig de schappen of containers nooit in de vaatwasser.
  - De onderdelen kunnen vervormd raken als gevolg van de hitte.
- Reinig de oppervlakken die in contact kunnen komen met etenswaren en toegankelijke afvoersystemen regelmatig.
- Als het apparaat is uitgerust met een LED-lamp, mag u de kap van de LED-lamp niet verwijderen wanneer u deze probeert te repareren of te onderhouden. Neem contact op met een klantenservicecentrum van LG Electronics.

## Verwijdering van uw oude apparaat



- Dit symbool van de doorgekruiste vuilnisbak geeft aan dat afgedankte elektrische en elektronische producten (WEEE) afzonderlijk van het huishoudelijke afval moeten worden verwijderd.
- Oude elektrische producten kunnen gevaarlijke stoffen bevatten, dus een juiste verwijdering van uw oude apparaat helpt bij het voorkomen van mogelijke negatieve gevolgen voor het milieu en de volksgezondheid. Uw oude apparaat kan herbruikbare onderdelen bevatten die gebruikt zouden kunnen worden voor het repareren van andere producten, en andere waardevolle materialen die kunnen worden gerecycled voor het behoud van beperkte grondstoffen.
- U kunt uw apparaat meenemen naar de winkel waar u het product hebt gekocht, of u kunt contact opnemen met uw plaatselijke afvalinstantie voor de gegevens van uw dichtstbijzijnde geautoriseerde WEEE-verzamelpunt. Voor de meest geactualiseerde informatie voor uw land wordt verwezen naar [www.lg.com/global/recycling](http://www.lg.com/global/recycling)

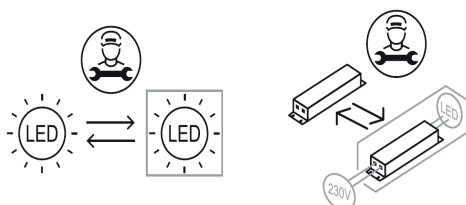
## Klantenservice

Contact opnemen met de klantenservice van LG Electronics.

- Voor meer informatie over geautoriseerde servicecentra van LG gaat u naar [www.lg.com](http://www.lg.com).
- Het is alleen gekwalificeerd onderhoudspersoneel van door LG geautoriseerde servicecentra toegestaan om het apparaat te demonteren, repareren of wijzigen.
- Dit koelapparaat heeft een garantie van minimaal 24 maanden.
- Om reserveonderdelen te bestellen, neemt u contact op met een LG Electronics klantinformatiecentrum of raadpleegt u onze website op [www.lg.com](http://www.lg.com).
- Reserveonderdelen vermeld in verordening EU 2019/2019 zijn gedurende 7 jaar verkrijgbaar (alleen deурpakkingen zijn gedurende 10 jaar verkrijgbaar).

## OPMERKING

- Voor meer informatie over de energiezuinigheid van het apparaat, gaat u naar <https://ec.europa.eu> en zoekt u op modelnaam (geldig vanaf 1 maart 2021).
- Verordening EU 2019/2019, geldig vanaf 1 maart 2021, heeft betrekking op de energie-efficiëntieclassen van verordening EU 2019/2016.
- Scan de QR-code op het energielabel van het apparaat. Deze is voorzien van een weblink met informatie die betrekking heeft op de prestaties van het apparaat in de EU EPREL-database. Bewaar het energielabel om te kunnen raadplegen, evenals alle andere documenten die met het apparaat zijn meegeleverd (geldig vanaf 1 maart 2021).
- De modelnaam bevindt zich op het typeplaatje van het apparaat.
- Dit product is uitgerust met een lichtbron met een energie-efficiëntieklasse van G.





BRUKERHÅNDBOK

# KJØLESKAP OG FRYSER

**Les denne brukerveiledningen nøye før apparatet brukes, og ha den tilgjengelig som referanse til enhver tid.**

[www.lg.com](http://www.lg.com)

Se brukerhåndboken på LG-nettsiden for mer detaljert informasjon.  
Copyright © 2019-2023 LG Electronics Inc. Med enerett

# INDHOLDSFORTEGNELSE

Denne vejledning kan indeholde billeder og andet, som adskiller sig fra den model, du har købt.

Denne vejledning er underlagt revidering foretaget af fabrikanten.

<b>SIKKERHEDSINSTRUKTIONER .....</b>	<b>3</b>
Vigtige sikkerhedsinstruktioner .....	3
<b>INSTALLATION .....</b>	<b>10</b>
Mål og afstande .....	10
Omgivelsestemperatur .....	10
<b>BETJENING .....</b>	<b>11</b>
Bemærkninger om betjening .....	11
Friskomdanner ( * ) .....	12
Skuffe til friske grøntsager ( * ) .....	12
Kontrollpanel .....	14
<b>SMARTE FUNKTIONER.....</b>	<b>16</b>
LG ThinQ-applikation.. ..	16
<b>VEDLIGEHOLDELSE .....</b>	<b>18</b>
Bemærkninger om rengøring.....	18
Bortskaffelse af dit gamle apparat .....	18
<b>FEJLFINDING .....</b>	<b>19</b>

## Yderligere oplysninger i vejledningen

Dette er brugervejledningens korte udgave.  
Besøg LG-webstedet på <http://www.lg.com> for  
yderligere oplysninger




## Fejlfinding



De følgende sikkerhetsretningslinjene er laget for å hindre uforutsett fare eller skader på grunn av usikker eller feilaktig bruk av produktet.

Retningslinjene er delt inn i «ADVARSEL» og «FARE» som beskrevet nedenfor.

 Dette symbolet vises for å indikere omstendigheter og bruk som kan føre til fare. Les delen med dette symbolet nøye og følg instruksjonene for å unngå fare.

## ADVARSEL

Dette indikerer at instruksjonene må følges, ellers er det fare for alvorlige personskader eller dødsfall.

## FARE

Dette indikerer at instruksjonene må følges, ellers er det fare for mindre personskader eller skader på produktet.

## VIKTIGE SIKKERHETSINSTRUKSJONER

### ADVARSEL

For å redusere risikoen for eksplosjon, brann, død, elektrisk støt, skade eller skålding når du bruker dette produktet, må du følge grunnleggende forholdsregler, inkludert følgende:

#### Barn i husholdningen

- Dette produktet er ikke beregnet på å bli brukt av personer (også barn) med redusert fysisk eller psykisk helse eller som mangler erfaring eller kunnskaper om bruken, dersom de ikke er gitt innføring eller instruksjon om bruken av produktet av en person som er ansvarlig for deres sikkerhet. Barn skal holdes under oppsyn slik at de ikke leker med produktet.
- Hvis apparatet er utstyrt med en lås (kun på noen modeller), må du oppbevare nøkkelen utilgjengelig for barn.

### **For bruk i Europa:**

- Dette apparatet kan brukes av barn som er åtte år eller eldre og personer med reduserte fysiske, sensoriske eller mentale evner eller mangel på erfaring og kunnskap hvis de har tilsyn eller har fått informasjon om hvordan apparatet trygt kan brukes og forstår farene dette medfører. Barn må ikke leke med apparatet. Rengjøring og vedlikehold bør ikke utføres av barn uten tilsyn.

- Barn i alderen 3 til 8 år kan legge inn i og ta ut produkter fra kjøleenheter.

### **Montering**

- Dette produktet skal kun transporteres av to eller flere personer, som holder produktet på en sikker måte.
- Forsikre deg om at stikkontakten er jordet, og at jordingsstiften på strømledningen ikke er skadet eller fjernet fra støpselet. For mer informasjon om jording, kan du spørre hos et LG Electronics kundeinformasjonssenter.
- Dette produktet er utstyrt med en strømledning som har utstyrsjordleder og jordingsstøpsel. Støpselet må settes i en passende stikkontakt, installert og jordet i samsvar med alle lokale forskrifter og bestemmelser.
- Hvis strømledningen er skadet eller hullet i stikkontakten er løst, må du ikke bruke strømledningen, og kontakte et autorisert servicesenter.
- Ikke koble apparatet til en multikontaktadapter som ikke har strømkabel (montert).
- Strømledningen må ikke endres eller forlenges.
- Produktet skal kobles til en dedikert strømledning, med separat sikring.
- Ikke bruk en multikontaktadapter som ikke står ordentlig fast (bærbar). Hvis du bruker en multikontaktadapter som står ordentlig fast (bærbar), bruk en multikontaktadapter med strømkodens gjeldende kapasitet eller mer, og bruk multikontaktadapteren kun til apparatet.
- Installer produktet på et sted det er lett å trekke ut støpselet på produktet.
- Vær forsiktig med å peke støpselet oppover eller la produktet lene seg mot strømpluggen.
- Installer produktet på et fast og jevnt underlag.

- Ikke installer produktet på et fuktig og støvete sted. Ikke installer eller oppbevar produktet i et uteområde, eller områder som er utsatt for vær- og vindforhold så som direkte sollys, vind eller regn, eller temperaturer under frysepunktet.
- Ikke plasser produktet i direkte sollys, og ikke utsett det for varme fra varmeapparater så som komfyrer eller varmeovner.
- Vær forsiktig med å eksponere baksiden av produktet når du installerer det.
- Vær forsiktig, slik at døren ikke faller under montering eller demontering.
- Vær forsiktig så du ikke klemmer, knuser eller ødelegger strømkabelen under montering eller demontering av døren.
- Ikke koble en adapter eller annet tilbehør til strømuttaket.

## **Bruk**

- Ikke bruk produktet til noe formål (lagring av medisinske eller eksperimentelle materialer eller frakt) annet enn privat oppbevaring av mat.
- Trekk ut støpselet under alvorlige lyn- og tordenvær, eller når det ikke skal brukes på lang tid.
- Ikke ta på støpselet eller produktkontrollene med våte hender.
- Ikke bøy strømkabelen for mye, og ikke plasser tunge gjenstander på den.
- Hvis det trenger inn vann i elektriske deler av produktet, kobler du fra strømledningen og kontakter et LG Electronics kundeinformasjonssenter.
- Du må ikke plassere hender eller metallobjekter innenfor området som slipper ut den kalde luften, og den varmefrigjørende risten på baksiden må ikke dekkes til.
- Ikke bruk for mye kraft eller slag på baksiden av produktet.
- Ikke legg dyr, for eksempel kjæledyr, inne i produktet.
- Vær forsiktig med barn som er i nærheten når du åpner eller lukker døren. Døren kan dunke borti barnet og føre til personskader. Ikke la noen svinge noen av dørene fra deg, siden dette kan føre til at enheten kan velte og forårsake skade.
- Unngå fare for at barn fanges inne i produktet. Barn som stenges inne i produktet kan kveles.
- Ikke plasser tunge eller skjøre objekter, beholdere med væske, brennbare stoffer (som stearinlys, lamper, osv.), eller varmekjøleskap (som ovner osv.) på kjøleskapet.

- Hvis det finnes gasslekkasje (isobutan, propan, naturgass, etc.), må du ikke berøre produktet eller støpselet, men ventilere området umiddelbart. Dette apparatet bruker en kjølegass (isobutan, R600a). Selv om den bruker en svært liten mengde gass, er gassen fremdeles lettantennelig. Gasslekkasjer under transport, montering eller bruk kan forårsake brann, eksplosjon eller personskader hvis det oppstår gnister.
- Du må ikke bruke eller oppbevare brennbare eller lettantennelige stoffer (eter, benzen, alkohol, kjemikalier, LPG, lettantennelig spray, insektmiddel, luftrensere, kosmetikk osv.) i nærheten av produktet.
- Trekk umiddelbart ut støpselet og ta kontakt med et LG Electronics kundeservicecenter hvis du oppdager merkelig lyd, lukt eller røyk som kommer fra produktet.
- Fyll kun drikkevann i ismaskinen eller vannbeholderen.
- Kjølekretsen må ikke skades.
- Ikke plasser elektroniske produkter (for eksempel varmeapparat eller mobiltelefon) inne i produktet.

### **Vedlikehold**

- Trekk ut strømledningen før du rengjør produktet eller bytter den indre lampen (der slik er montert).
- Sett støpselet trygt inn i stikkontakten etter at all fuktighet og støv er fjernet.
- Trekk aldri støpselet ut ved å dra i strømkabelen. Alltid ta godt tak i støpselet, og trekk rett ut fra stikkontakten.
- Ikke sprut vann eller antennelige stoffer (tannpasta, alkohol, tynnere, benzen, brannfarlig væske, slipemidler, osv.) på innsiden eller utsiden av kjøleskapet for å rengjøre det.
- Ikke rengjør produktet med børster, kluter eller svamper med grove flater, eller som er laget av metalliske materialer.
- Bare kvalifisert servicepersonell fra LG Electronics sitt servicecenter skal demontere, reparere eller modifisere produktet. Ta kontakt med et LG Electronics kundeservicecenter hvis du flytter og installerer produktet på et annet sted.
- Ikke bruk en hårføner for å tørke innsiden av produktet, og ikke sett stearinlys inne i det for å fjerne lukt.
- Du må ikke bruke mekaniske enheter eller andre metoder for å få avisingsprosessen til å gå raskere.



## **Deponering**

- Når du kaster produktet, fjernes dørpakningen mens hyllene og kurvene er på plass. Barn må holdes borte fra produktet.
- Kast all emballasje (for eksempel plastposer og pakkeskum) der barn ikke når det. Emballasjen kan forårsake kvelning.

## **Teknisk sikkerhet**

- Sørg for at lufteåpningene i apparatet eller i den innebygde strukturen ikke tildekkes.
- Ikke bruk elektriske apparater inne i kjøleskapet.
- Kjølevæsken og blåsemiddelet som brukes til isolering i apparatet må behandles som spesialavfall. Ta kontakt med serviceagenten eller noen med tilsvarende kunnskap før disse kastes.
- Kjølemiddel som lekker ut av rørene kan antennes eller forårsake eksplosjon.
- Mengden kjølevæske i apparatet ditt vises på identifikasjonsplaten inne i apparatet.
- Du må aldri starte et apparat som viser tegn på skade. Hvis du er i tvil, kan du ta kontakt med forhandleren.
- Dette produktet er kun ment å brukes i husholdninger og lignende. Det bør ikke brukes i kommersielle eller catering-formål, eller i mobile applikasjoner som bobiler eller båter.
- Du må ikke lagre eksplosive stoffer som spraybokser med brennbare stoffer i dette apparatet.
- Dette kjøleapparatet er ikke ment å bli brukt som et innebygd apparat.

## Brannfare og lett antennelige materialer



Dette symbolet varsler deg om lett antennelige materialer som kan ta fyr og forårsake en brann dersom du ikke er forsiktig.

- Dette apparatet inneholder en liten mengde isobutankjøling (R600a), men den er også brennbar. Vær forsiktig når apparatet transporteres og installeres slik at ingen deler av kjølekretsen skades.
- Hvis det oppdages en lekkasje, må man unngå åpen ild eller mulige antenningskilder, og rommet hvor apparatet står må luftes i flere minutter. For å unngå at det dannes en brennbar gassblanding i luften hvis det oppstår en lekkasje i kjølekretsen, bør størrelsen på rommet hvor apparatet brukes tilsvare mengden kjølevæske som brukes. Rommet må være på 1 m<sup>2</sup> i størrelse for hvert 8 g av R600a kjølemedium inne i apparatet.
- Når du plasserer apparatet, må du sørge for at strømledningen ikke sitter fast eller er skadet.
- Ikke plasser flere bærbare kontaktadaptere eller bærbare strømforsyninger på baksiden av apparatet.

## FARE

**For å redusere risikoen for personskade, funksjonsfeil eller skade på produktet eller eiendommen når du bruker dette produktet, må du følge grunnleggende forholdsregler, inkludert følgende:**

### **Montering**

- Ikke vipp på produktet for å trekke eller skyve det under transport.
- Pass på at du ikke setter noen kroppsdeler som hender eller føtter fast i kjøleskapet når du flytter på det.

### **Bruk**

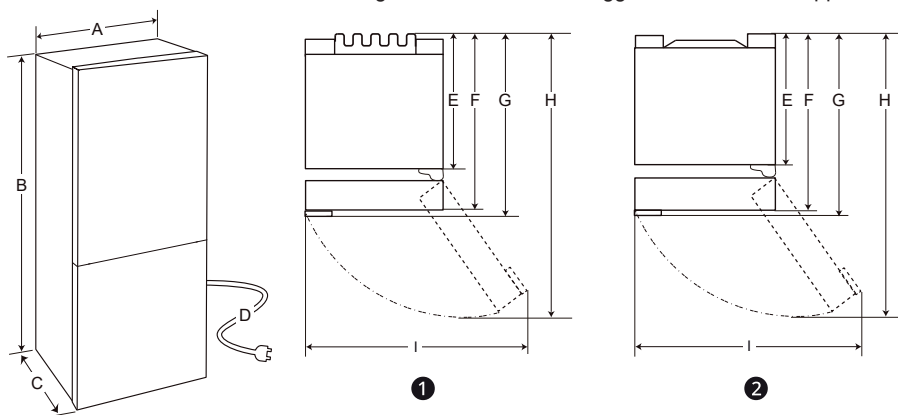
- Ikke rør frysevarer eller metalleder i fryseren med våte eller fuktige hender. Det kan forårsake frostskafer.
- Ikke plasser glassbeholdere, flasker eller bokser (spesielt de som inneholder kulsyreholdige drikker) i fryseskapet, på hyller eller i isbøtter som vil bli utsatt for temperaturer under null.
- Det herdede glasset på forsiden av apparatets dør eller hyllene kan skades av et støt. Ikke rør det med hendene hvis det er ødelagt.
- Ikke hold deg fast i døren, lagringsrom eller hyller, og ikke klatre på dem.
- Ikke oppbevar for mange vannflasker eller beholdere for sideretter i dørkurvene.
- Forhindre dyr fra å gnage på strømkabelen eller vannslangen.
- Ikke åpne eller lukk døren med stor kraft.
- Hvis hengslet på produkt døren blir skadet eller ikke fungerer riktig, må du slutte å bruke det og ta kontakt med et LG Electronics-servicesenter.
- Ikke rengjør glasshyllene eller deksler med varmt vann når de er kalde.
- Aldri spis frossen mat umiddelbart etter at den er tatt ut av fryseren.
- Pass på at du ikke setter en hånd eller en fot fast ved åpning eller lukking av døren.

### **Vedlikehold**

- Ikke sett inn hyller opp ned. Hyller kan falle ned.
- For å fjerne rim fra produktet, tar du kontakt med et LG Electronics kundeinformasjonssenter.

## Dimensjoner og klaring

For lite avstand fra tilstøtende elementer kan føre til forringelse av frysekapasitet og økte strømkostnader. Tillat over 50 mm klaring fra hver tilstøtende vegg når du installerer apparatet.



	1		2	
	Størrelse [mm]			
	Integrert håndtak	Eksternt håndtak	Integrert håndtak	Eksternt håndtak
A	595	595	595	595
B	1 860 / 2 030	1 860 / 2 030	1 860 / 2 030	1 860 / 2 030
C	682	718	675	712
D	2 100	2 100	2 100	2 100
E	616	616	610	610
F	682	682	675	675
G	-	718	-	712
H	1 230	1 237	1 225	1 232
I	995	995	995	995

### MERK

- Målingene i tabellen ovenfor er omtrentlige.

## Omgivelsestemperatur

- Apparatet er konstruert for å fungere innenfor et begrenset område av omgivelsestemperaturer, avhengig av klimasone.
- De interne temperaturene kan påvirkes av apparatets beliggenhet, omgivelsestemperatur, hyppighet av døråpning og så videre.
- Klimaklassen finnes på ratingmerket.

Klimaklasse	Omgivelsestemperaturområde °C
SN (Utvidet Temperert)	+10 - +32
N (Temperert)	+16 - +32
ST (Subtropisk)	+16 - +38
T (Tropisk)	+16 - +43 / +10 - +43*

\*Australia, India, Kenya

### MERK

Apparater rangert fra SN til T er tiltenkt bruk i omgivelsestemperatur mellom 10 °C og 43 °C.

## Bruksmerknader

- Brukerne må huske på at det kan dannes rim dersom døren ikke lukkes helt, hvis luftfuktigheten er høy om sommeren, eller hvis fryserdøren åpnes ofte.
- Sørg for tilstrekkelig plass mellom mat som oppbevares på hyllen eller i dørkurven, slik at døren kan lukkes helt.
- Dersom døren holdes åpen i lange perioder, vil det føre til en betydelig stigning av temperaturen i enhetens seksjoner.
- Dersom kjøleenheten står tom i lange perioder, slå den av, av-is, rengjør, tørk, og la døren stå på gløtt for å hindre at det dannes mugg i enheten.

## Anbefalinger for strømsparing

- Sørg for tilstrekkelig plass mellom lagrede matvarer. Dette gjør at kaldluften sirkulerer jevnt, og sparer strøm.
- Varm mat skal bare settes til oppbevaring etter at den har avkjølt seg, for å hindre dugg og rim.
- Ved lagring av mat i fryseseksjonen, setter du frysetemperaturen lavere enn den temperaturen som er angitt på produktet.
- Ikke legg mat i nærheten av temperatursensoren i kjøleskapet. Hold en avstand på minst 3 cm fra sensoren.
- Vær oppmerksom på at temperaturøkning etter tining har et tillatt område i produktspesifikasjonene. Hvis du vil begrense påvirkningen en temperaturøkning kan ha på oppbevaring av mat, bør du forsegle eller pakke inn maten i flere lag.
- Det automatiske avrimingsanlegget i apparatet sikrer at rommet holder seg fritt for oppbygging av is under normale driftsforhold.
- For mest mulig effektivt energibruk, sørg for at alle indre deler (som dørhyllene, skuffene og hyllene) er på rett plass.
- Ikke still apparatets temperatur lavere enn nødvendig.

## Effektiv oppbevaring av mat

- Lagre frossen og avkjølt mat i lukkede beholdere.
- Sjekk utløpsdatoen og merkingen (lagringsinstruksjonene) før matvarene lagres.
- Ikke oppbevar mat over lang tid (mer enn 4 uker) hvis den lett blir bedervet ved lav temperatur.
- Plasser avkjølt eller frossen mat i kjøleskapet eller fryseren rett etter innkjøp.

- Bruk egnede beholdere ved lagring av rått kjøtt og fisk for å hindre at det kommer i kontakt med eller drypper på annen mat.
- Unngå å fryse mat som har blitt fullstendig tint. Frysing av mat som har blitt fullstendig tint vil skade smaken og næringsverdien.
- Ikke pakk og lagre grønnsaker i avispapir. Trykksaker som aviser eller andre fremmede stoffer kan legge avsetninger på maten og kontaminere den.
- Ikke overfyll apparatet. Kaldluften kan ikke sirkulere skikkelig hvis produktet er overfylt.
- Hvis du stiller inn en svært lav temperatur for maten, kan den fryses. Ikke still inn en lavere temperatur enn den påkrevde temperaturen for at maten skal kunne oppbevares riktig.
- For å få mer plass kan du fjerne flaskehyllen, eggbrettet, isbrettet og svalhyll-skuffen.
- Mat kan fryses eller ødelegges dersom den lagres ved feil temperatur. Still inn kjøleskapet på den korrekte temperaturen for den lagrede maten.

## Maksimal frysekapasitet

- Funksjonen Express Freeze stiller fryseren inn på maksimal frysekapasitet. Dette tar normalt opptil 24 timer og funksjonen slår seg av automatisk.
- Hvis maksimal frysekapasitet skal brukes, må Express Freeze slås på syv timer innen ferske produkter plasseres i fryserseksjonen.

## Frysing av maksimal mengde mat

- For å få bedre luftsirkulering bør alle skuffene være satt i.
- Hvis det skal oppbevares store mengder mat, må alle fryseskuffene tas ut av apparatet og maten må stables direkte på fryserhyll (eller hyllene) i fryserseksjonen.

## MERK

- For å ta ut skuffene, må du først fjerne maten fra skuffene og deretter dra skuffene forsiktig ut. Hvis du ikke gjør dette, kan det føre til skader eller at skuffene blir ødelagt.
- Formen til hver av skuffene kan være forskjellig. Pass på at du setter i riktig skuff på riktig sted.

## Temperaturinnstilling

Dette angir temperaturen i kjøleskapet eller fryseren.

- Trykk på **Fridge**-knappen eller **Freezer**-knappen for å justere temperaturen.
- Temperaturen kan justeres.
  - Kjøleskap: fra 1 °C til 7 °C
  - Fryser: fra -15 °C til -23 °C
- Start - temperaturen er innstilt.
  - Kjøleskap: 3 °C
  - Fryser: -18 °C

Den faktiske innvendige temperaturen varierer, avhengig av matstatus, selv om den angitte innstilte temperaturen er en måltemperatur, er det ikke den virkelige temperaturen i produktet.

## MERK

- Standardtemperaturinnstillingen kan variere avhengig av apparatet.
- For optimal matkonservering anbefales det å øke eller redusere temperaturen med 1 °C eller ett nivå fra standardtemperaturen for hvert rom.
- Etter at apparatets stikkontakt er koblet til uttaket, vent 2 til 3 timer før du lagrer mat i apparatet.
- For islagning i normale klimaer bør frysetemperaturen settes til -18 °C eller kaldere.

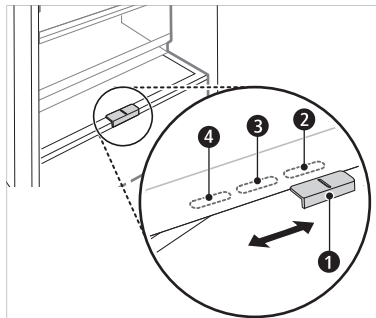
## Høy temperatur-alarm

Når frysertemperaturen er for høy grunnet strømfeil, blinker LED-lampen for frysertemperaturen og en alarm piper.

- Trykk på **Freezer**-knappen for å stoppe alarmen.
- Hvis temperaturen er kald nok, vil lyset slutte å blinke og alarmen slå seg av automatisk.
- Denne funksjonen virker når:
  - Kjøleskapet er slått på.
  - Når fryserseksjonen er for varm.
  - Når det oppstår et strømbrudd som varer over lengre tid.
  - Når store mengder varm mat plasseres i fryserseksjonen.
  - Når fryserdøren står åpen for lenge eller for ofte.

## Svalhylle ( \* )

Dette er en nedkjølt seksjon med temperatur som kan justeres ved å skyve på spaken ① som befinner seg foran i seksjonen. Når grønnsaker oppbevares etter å ha satt innstillinger for kjøtt eller fisk, kan kulden skade maten.



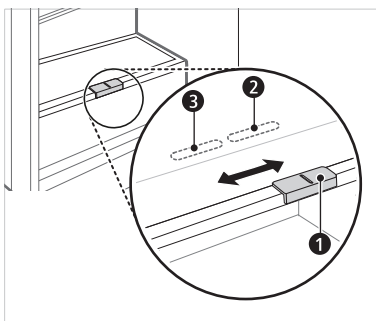
- ② For oppbevaring av grønnsaker. (Anbefalt)
- ③ For oppbevaring av fisk.
- ④ For oppbevaring av kjøtt.

## MERK

- ( \* ) betyr at denne funksjonen varierer ut ifra hvilken modell som er kjøpt.

## Fersk grønnsaks-skuff ( \* )

Fuktighetsgraden i grønnsaksseksjonen kan justeres ved å flytte på knappen ①.



- ② For oppbevaring av grønnsaker. (Anbefalt)
- ③ For oppbevaring av frukt.

## MERK

- ( \* ) betyr at denne funksjonen varierer ut ifra hvilken modell som er kjøpt.

## Matlagingsseksjoner

### Lagring av mat i kjøleseksjonen

- **Kjøleskaphylle**
  - Her oppbevares avkjølte matvarer og andre produkter.
  - Hyllehøyde kan justeres ved å sette hyllen inn i en rille ved en annen høyde.
  - Lagre matvarer med høyere fuktighetsinnhold foran på hyllen.
  - Det faktiske antallet hyller varierer fra modell til modell.
- **Flaskehylle (\*)**
  - Her oppbevares drikkeflasker og beholdere.
- **Foldbar hylle (\*)**
  - Her oppbevares avkjølte matvarer og høye produkter.
- **Fersk grønnsaksskuff (\*)**
  - Her oppbevares frukt og grønnsaker, og de holder seg fersk ved å justere reguleringen for fuktighetsgraden.
  - Utseendet til eller komponenter i produktet kan variere fra modell til modell.
- **Svalhylle (\*)**
  - Dette er en nedkjølt seksjon for oppbevaring av kjøtt, fisk og grønnsaker. Bidra til at maten holder seg fersk ved å justere fuktighetsregulering som er plassert bakerst i kjøleskapsseksjonen.
  - For mer plass kan du bruke den nedkjølte seksjonen uten skuffen.
- **Flyttbart egg Brett**
  - Her oppbevares egg.
  - Du kan flytte på det og plassere det der du vil, men ikke bruk brettet som isbeholder eller plasser det på den øverste hyllen i kjøleskapet eller i grønnsaksskuffen.

- **Kurv til kjøleskapsdør**

- Her lagres små pakker med avkjølte matvarer, drikke og sausbeholdere.

- **Vanndispensertank (\*)**

- Her oppbevares vannet til vanddispenseren eller den automatiske ismaskinen. Dispenseren krever manuell fylling. (Kun ikke-plomberte modeller)

### Lagring av mat i fryseeksjonen

- **Is Brett**

- Her produseres og lagres isen.
- For mer plass kan du fjerne isbrettet eller isbitbeholderen.

- **Fryserskuff**

- Disse brukes til langtidslagring av frossenmat.
- Lagre maten på venstre side i den øverste skuffen for å fryse matvarer raskt. Matvarer fryser raskest i skuffen.

### MERK

- (\*) : betyr at denne funksjonen varierer ut ifra hvilken modell som er kjøpt.
- Se lg.com og last ned brukerveiledningen, hvis du trenger informasjon om andre seksjoner.

## Kontrollpanel

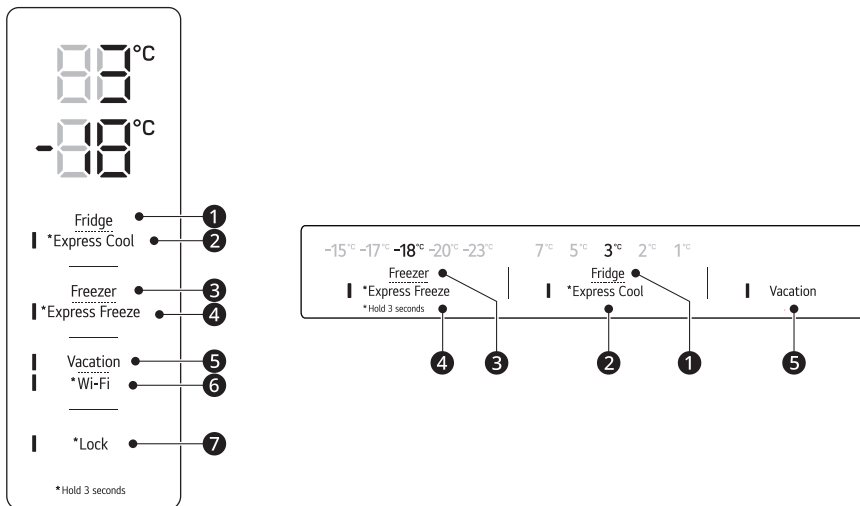
Det faktiske kontrollpanelet kan variere fra modell til modell.

### Kontrollpanel og funksjoner

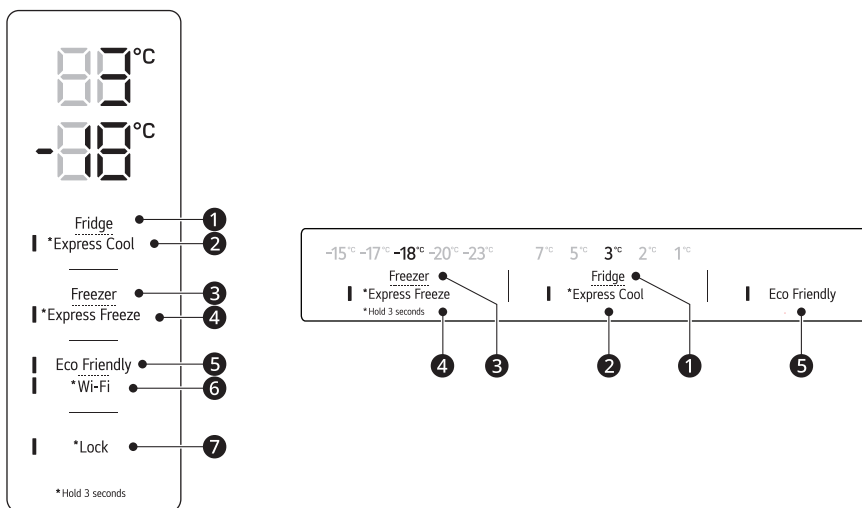
\*1 Denne funksjonen er kun tilgjengelig på noen modeller.

Kontrollpanelet befinner seg enten på kjøleskapsdøren eller inni kjøleskapet, avhengig av modell.

#### Type A



#### Type B





**1 Fridge**

Trykk på denne knappen gjentatte ganger for å velge ønsket temperatur mellom 1 °C og 7 °C.

- Standardtemperaturen i kjøleskapet er 3 °C.

**2 Express Cool**

Denne funksjonen kan raskt kjøle ned en stor mengde matvarer som grønnsaker, frukt osv.

- Denne funksjonen aktiveres og deaktiveres hver gang du trykker og holder inne knappen i 3 sekunder.

**3 Freezer**

Trykk på denne knappen gjentatte ganger for å velge ønsket temperatur mellom -15 °C og -23 °C.

- Standardtemperaturen i fryseren er -18 °C.

**4 Express Freeze**

Funksjonen kan raskt fryse ned store mengder is eller frossen mat.

- Trykk på **Express Freeze** -knappen for å aktivere funksjonen i 24 timer. Funksjonen slås automatisk av etter 24 timer.
- Denne funksjonen aktiveres og deaktiveres hver gang du trykker og holder inne knappen i 3 sekunder.
- Når denne modusen er slått på, kan det oppstå lyd, og energiforbruket kan stige.

**5 Vacation**

Denne funksjonen er nyttig når du er på ferie. Når denne funksjonen er slått på, ligger kjøleskapstemperaturen på 7 °C og frysertemperaturen på -15 °C. Når denne funksjonen er slått av, følger temperaturen i kjøleskapet og fryseren de forrige temperaturinnstillingene.

- Funksjonen aktiveres og deaktiveres hver gang du trykker på knappen.
- Når denne modusen er slått på, fungerer ikke de andre knappene, unntatt knappene **Lock** og **Wi-Fi**.
- **Eco Friendly** har fått navnet **Vacation**.

**⚠ FARE**

- Når denne funksjonen er på, vær forsiktig med å oppbevare matvarer som krever en lavere temperatur enn standardtemperaturen.
- Når du kommer hjem må du huske å slå av denne funksjonen for å låse opp de andre knappene og sette kjøleskapet tilbake til tidligere temperaturinnstillinger.

**6 Wi-Fi\*1**

Med knappen kan du koble apparatet til et trådløst hjemmenettverk. Se **SMART FUNCTIONS** for å finne informasjon om den første installeringen av **LG ThinQ**-appen.

**7 Lock\*1**

Denne låser knappene på kontrollpanelet.

- For å låse knappene på kontrollpanelet må du trykke og holde inne **Lock**-knappen i 3 sekunder til funksjonen aktiveres.
- For å deaktivere funksjonen må du trykke og holde inne **Lock**-knappen i 3 sekunder til funksjonen deaktiveres.

**MERK**

- For optimal matkonservering anbefales det å øke eller redusere temperaturen med 1 °C eller ett nivå fra standardtemperaturen for hvert rom.
- Den viste temperaturen er måltemperaturen og ikke den faktiske temperaturen i apparatet.
- Den faktiske temperaturen inne i apparatet avhenger av følgende faktorer: romtemperatur, mengden mat og hvor ofte dørene åpnes, hvor apparatet befinner seg. Still inn temperaturene ved å ta disse faktorene med i betraktning.
- Kontrollpanelet slår seg av automatisk for å spare energi.
- Hvis kontrollpanelet berøres av en finger eller hud mens det rengjøres, kan funksjonen for den berørte knappen aktiveres.

## LG ThinQ-app

Denne funksjonen er kun tilgjengelig på modeller med Wi-Fi.

Med **LG ThinQ**-appen kan du kommunisere med apparatet via en smarttelefon.

## LG ThinQs appfunksjoner

Kommunisere med enheten fra en smarttelefon ved hjelp av de praktiske smartfunksjonene.

### Smart Diagnosis

- Hvis du opplever problemer når du bruker apparatet, kan denne Smart Diagnosis-funksjonen bidra til å diagnostisere problemet.

### Innstillinger

- Lar deg stille inn forskjellige valg på apparatet og i appen.

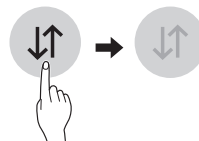
### MERK

- Hvis du endrer trådløse ruter, internettleverandør eller passord, må du slette det registrerte apparatet fra **LG ThinQ**-appen og registrere det på nytt.
- Appen er gjenstand for endringer i forbindelse med videreutvikling uten videre varsel.
- Funksjoner kan variere etter modell.

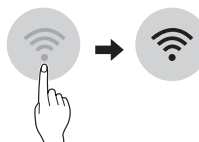
## Før du bruker LG ThinQ-appen

- 1 Sjekk avstanden mellom enheten og den trådløse ruter (trådløst nettverk).
  - Hvis avstanden mellom enheten og den trådløse ruter er for stor, vil signalstyrken bli svekket. Ruter vil da bruke lengre tid på registrering av enheten, og installasjonen kan mislykkes.


- 2 Skru av **Mobildata** på smarttelefonen.



- 3 Koble smarttelefonen din til den trådløse ruter.



### MERK

- For å kontrollere WiFi-tilkoblingen, sjekk at -ikonet på kontrollpanelet lyser.
- Enheten støtter kun 2,4 GHz trådløse nettverk. For å sjekke nettverksfrekvens, kontakter du Internett-leverandøren eller slår opp i håndboken for den trådløse ruter.
- **LG ThinQ** er ikke ansvarlig for eventuelle problemer med nettverkstilkoblingen eller feil eller svikt forårsaket av nettverkstilkoblingen.
- Hvis maskinen har problemer med å koble til WiFi-nettverket, kan dette skyldes at den står for langt unna ruter. Kjøp en WiFi-forsterker (signalforsterker) for å forbedre WiFi-signalets styrke.
- WiFi-tilkoblingen kan kanskje ikke koble til, eller kan bli avbrutt på grunn av hjemmenettverkets miljø.
- Problemer med nettverksforbindelsen kan skyldes feil fra internettleverandørens side.
- De trådløse omgivelsene kan påvirke hastigheten til den trådløse nettverkstjenesten.
- Enheten kan ikke registreres på grunn av problemer med den trådløse overføringen. Koble fra strømmen på enheten, vent noen minutter og prøv igjen.
- Brannmuren på den trådløse ruter er aktivert, deaktivert brannmuren eller legg til et unntak.
- Trådløst nettverksnavn (SSID) bør være en kombinasjon av kun bokstaver og tall. (Ikke bruk spesialtegn)


- Smarttelefonens brukergrensesnitt (UI) kan variere avhengig av mobilens operativsystem (OS) og produsenten.
- Hvis sikkerhetsprotokollen for ruterer er satt til **WEP**, er det mulig at nettverket ikke starter opp. Prøv andre sikkerhetsprotokoller (**WPA2** anbefales), og registrer deretter produktet på nytt.

## Installering av LG ThinQ-appen

Søk etter **LG ThinQ**-appen i Google Play Store & Apple App Store på en smarttelefon.

- Følg instruksene for å laste ned og installere programmet.

## Kobler til Wi-Fi

Via **LG ThinQ**-applikasjonen brukes **Wi-Fi**-knappen til å koble apparatet på et trådløst hjemmenettverk. -ikonet viser statusen på apparatets nettverksforbindelse. Ikonet lyser når apparatet er tilkoblet Wi-Fi-nettverket.


## Førstegangsregistrering av enhet

- Kjør **LG ThinQ**-programmet og følg instruksjonene i programmet for å registrere enheten.

## Registrere enheten på nytt, eller registrering av ny bruker

- Trykk og hold inne **Wi-Fi**-knappen i 3 sekunder for å skru den midlertidig av. Kjør **LG ThinQ**-programmet og følg instruksjonene for å registrere enheten.

## MERK

- For å deaktivere Wi-Fi-funksjonen, trykk og hold inne **Wi-Fi**-knappen i 3 sekunder. -ikonet slås av.

## Melding med informasjon om programvare med åpen kildekode

Besøk <https://opensource.lge.com> for å motta kildekode under GPL, LGPL, MPL og andre lisenser for åpen kildekode med krav om å offentliggjøre kildekode, som dette produktet inneholder, og for å få tilgang til alle lisensvilkår, notiser om opphavsrett og andre relevante dokumenter det er henvist til.

LG Electronics vil også gi deg åpen kildekode på CD-ROM mot å få dekket distribusjonskostnadene (som utgifter til medier, frakt og ekspedisjon). Send en forespørsel til [opensource@lge.com](mailto:opensource@lge.com).

Tilbudet er gyldig for enhver som innehar denne informasjonen i tre år etter vår siste forsendelse av dette produktet.

## Rengjøringsmerknader

- Når du fjerner en hylle eller skuff fra innsiden av produktet, må alle lagrede matvarer fjernes fra hyllen eller skuffen for å unngå personskader og skader på produktet.
  - Hvis ikke kan det oppstå skader på grunn av vekten av de lagrede matvarene.
- Hvis du rengjør utsiden av ventilasjonsåpningene på produktet med støvsuging, bør strømkabelen være trukket ut av stikkkontakten for å unngå statiske utladninger som kan skade elektronikken eller gi elektriske støt.
- Ta ut hyller og skuffer og rengjør dem med vann, og tørk dem nøye før du setter dem inn igjen.
- Tørk regelmessig av dørpakningene med et fuktig, mykt håndkle.
- Søl i dørkurven og flekker må vaskes bort, ettersom de kan forstyrre lagringsevnen til kurven og forårsake skader.
- Etter rengjøring må du sjekke om strømkabelen er skadet, varm eller feil tilkoblet.
- Hold lufterventilene på utsiden av produktet rene.
  - Blokkerte lufterventiler kan føre til brann eller skade på produktet.
- Under rengjøring av innsiden eller utsiden av enheten, bruk ikke grov børste, tannpasta eller brennbart materiale. Bruk ikke rengjøringsmidler som inneholder brennbare substanser.
  - Dette kan forårsake misfarging eller skade på enheten.
  - Brennbare substanser: Alkohol (etanol, metanol, isopropylalkohol, isobutylalkohol, osv.), fortynningsvæske, blekemiddel, benzen, brennbare væsker, skuremiddel, osv.
- For utsiden av apparatet bruk en ren svamp eller myk klut og et mildt vaskemiddel og varmt vann. Ikke bruk slipende eller sterke rengjøringsmidler. Tørk nøye med en myk klut.
- Hyllene og skuffene må ikke vaskes i oppvaskmaskinen.
  - Delene kan bli deformert på grunn av varmen.
- Overflater som kommer i kontakt med mat og tilgjengelige avløpssystemer rengjøres jevnlig.
- Hvis innretningen er utstyrt med en LED-lampe må lampedekselet og LED-lampen aldri fjernes i et forsøk på å reparere eller bytte den. Kontakt et LG Electronics' kundeinformasjonssenter.

## Avhending av gamle apparater



- Dette symbolet av en utkrysset avfallsdunk indikerer at kasserte elektriske og elektroniske produkter (WEEE) skal kastes separat fra husholdningsavfall og leveres til den kommunale resirkulering.
- Gamle elektriske produkter kan inneholde farlige stoffer, så korrekt avfallshåndtering av det gamle apparatet bidrar til å hindre potensielt negative konsekvenser for miljøet og andres helse. Gamle apparater kan inneholde gjenbrukbare deler som kan brukes til å reparere andre produkter og andre verdifulle materialer som kan resirkuleres for å bevare begrensede ressurser.
- Du kan bringe apparatet enten til butikken der du kjøpte produktet, eller ta kontakt med den lokale myndighetens avfallskontor for informasjon om nærmeste autoriserte innsamlingspunkt for el-avfall (WEEE-avfall). For den mest oppdaterte informasjonen for ditt land, gå til [www.lg.com/global/recycling](http://www.lg.com/global/recycling)

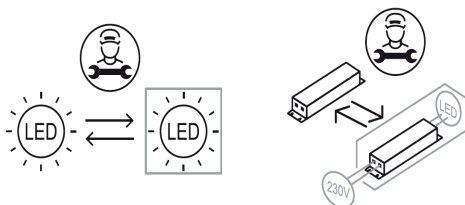
## Kundestøtte og tjenester

Kontakt et LG Electronics-kundeinformasjonssenter.

- For å finne informasjon om LG-autoriserte servicesenter kan du besøke nettstedet vårt på [www.lg.com](http://www.lg.com).
- Bare godkjente teknikere fra et LG-autoriserte servicesenter kan demontere, reparere eller endre apparatet.
- Minimum garantiperiode for dette kjøleapparatet er 24 måneder.
- For å kjøpe reservedeler, kontakt et LG Electronics-kundeinformasjonssenter eller websiden vår på [www.lg.com](http://www.lg.com).
- Reservedeler referert til i forskrift EU 2019/2019 er tilgjengelige i 7 år (kun dørpakninger er tilgjengelig i 10 år).

## MERK

- For mer informasjon om energieffektiviteten til apparatet, besøk <https://ec.europa.eu> og søk ved hjelp av modellnavnet (gyldig fra 1. mars 2021).
- EU-forskrift 2019/2019, gyldig fra 1. mars 2021, er relatert til energieffektivitetsklassene av EU-forskrift 2019/2016.
- Skann QR-koden på energietiketten som fulgte med apparatet, som gir en nettløse til informasjonen som er relatert til ytelsen for dette produktet i EU EPREL-databasen. Behold energietiketten for senere referanser og alle dokumenter som hører til apparatet (gyldig fra 1. mars 2021).
- Modellnavnet finner du på klassifiseringsetiketten til apparatet.
- Dette produktet inneholder en lyskilde av energieffektivitetsklasse G.





PODREČZNIK OBSŁUGI

# CHŁODZIARKO- ZAMRAŻARKA

**Przed przystąpieniem do obsługi urządzenia należy dokładnie przeczytać instrukcję obsługi i przechowywać ją w łatwo dostępnym miejscu, aby móc w każdej chwili do niej sięgnąć.**

[www.lg.com](http://www.lg.com)

Szczegółowe informacje są podane w podręczniku użytkownika w witrynie LG.  
Copyright © 2019-2023 LG Electronics Inc. Wszelkie prawa zastrzeżone

# SPIS TREŚCI

Zamieszczone w instrukcji ilustracje lub treści mogą różnić się w zależności od modelu posiadanego przez użytkownika.

Niniejszy podręcznik może podlegać zmianom wprowadzanym przez producenta.

<b>INSTRUKCJE BEZPIECZEŃSTWA.....</b>	<b>3</b>
WAŻNE INSTRUKCJE DOTYCZĄCE BEZPIECZEŃSTWA.....	3
<b>INSTALACJA.....</b>	<b>10</b>
Wymiary i ilość wolnego miejsca.....	10
Temperatura otoczenia.....	10
<b>UŻYTKOWANIE.....</b>	<b>11</b>
Uwagi dotyczące pracy urządzenia.....	11
Komora świeżości Fresh Converter ( * ).....	12
Szufłada na świeże warzywa ( * ).....	13
Panel sterowania.....	15
<b>FUNKCJE SMART.....</b>	<b>17</b>
Aplikacja LG ThinQ.....	17
<b>KONSERWACJA.....</b>	<b>19</b>
Uwagi dotyczące czyszczenia.....	19
Utylizacja starego urządzenia.....	19
<b>ROZWIĄZYWANIE PROBLEMÓW.....</b>	<b>20</b>

## Dodatkowe informacje na temat instrukcji obsługi

To jest skrócona wersja Podręcznika użytkownika. Więcej informacji można uzyskać, odwiedzając witynę firmy LG pod adresem <http://www.lg.com>



## Rozwiązywanie problemów



Poniższe wytyczne dotyczące bezpieczeństwa mają za zadanie zapobiegać nieprzewidzianym zagrożeniom i uszkodzeniom wynikającym z nieprawidłowej lub niezgodnej z zasadami bezpieczeństwa obsługi urządzenia.

Wytyczne podzielono na kategorie „**OSTRZEŻENIE**” oraz „**UWAGA**” opisane poniżej.

 Symbol ten wskazuje działania oraz zagadnienia, z którymi może wiązać się zagrożenie. Należy uważnie przeczytać sekcje oznaczone tym symbolem i postępować zgodnie z instrukcją, aby uniknąć zagrożeń.

## **OSTRZEŻENIE**

Wskazuje, że nieprzestrzeganie instrukcji może powodować poważne obrażenia lub śmierć.

## **UWAGA**

Wskazuje, że nieprzestrzeganie instrukcji może powodować lekkie obrażenia lub uszkodzenia produktu.

## WAŻNE INSTRUKCJE DOTYCZĄCE BEZPIECZEŃSTWA

### **OSTRZEŻENIE**

Aby zmniejszyć ryzyko eksplozji, pożaru, śmierci, porażenia elektrycznego, obrażeń lub poparzenia osób podczas używania produktu, należy przestrzegać środków ostrożności obejmujących poniższe:

#### **Dzieci w gospodarstwie domowym**

- To urządzenie nie jest przeznaczone do użytkowania przez osoby (łącznie z dziećmi) o ograniczonej sprawności fizycznej, sensorycznej czy umysłowej, lub którym brak doświadczenia i wiedzy, chyba że są one nadzorowane bądź instruowane w zakresie użytkowania urządzenia przez osobę odpowiedzialną za ich bezpieczeństwo. Dzieci powinny być pod nadzorem w celu zapewnienia, że nie bawią się urządzeniem.
- Jeśli urządzenie jest wyposażone w blokadę (tylko niektóre modele), klucz należy przechowywać poza zasięgiem dzieci.



### **Dla stosowania w Europie:**

- Urządzenie to może być obsługiwane przez dzieci w wieku powyżej 8 lat oraz osoby o ograniczonej sprawności fizycznej, sensorycznej lub umysłowej lub nieposiadające wymaganej wiedzy i doświadczenia pod warunkiem zapewnienia im odpowiedniego instruktażu oraz nadzoru w zakresie bezpieczeństwa obsługi urządzenia oraz związanego z nią ryzyka. Należy uniemożliwić dzieciom wykorzystywanie urządzenia do zabawy. Niedozwolone jest czyszczenie urządzenia oraz wykonywanie zabiegów konserwacyjnych przez dzieci bez nadzoru.
- Dzieci w wieku od 3 do 8 lat mogą wkładać i wyjmować produkty z urządzeń chłodniczych.

### **Montaż**

- Urządzenie musi w bezpieczny sposób być transportowane przez dwoje lub większą liczbę osób.
- Upewnić się, że gniazdo jest prawidłowo uziemione oraz, że wtyk uziemienia kabla zasilającego nie jest uszkodzony bądź usunięty z wtyczki. Więcej szczegółów na temat uziemienia można uzyskać w centrum obsługi klienta LG Electronics.
- Urządzenie jest wyposażone w przewód zasilający z żyłą uziemiającą oraz uziemioną wtyczkę. Wtyczka musi być podłączona do odpowiedniego gniazdka, które jest poprawnie zainstalowane i uziemione zgodnie z lokalnymi przepisami i normami.
- Jeśli przewód zasilania jest uszkodzony lub gniazdko zasilania jest poluzowane, nie należy korzystać z przewodu i należy skontaktować się z autoryzowanym centrum serwisowym.
- Nie podłączać urządzenia do rozgałęźnika, który nie ma (zamontowanego) przewodu zasilającego.
- Nie wolno modyfikować ani przedłużać przewodu zasilającego.
- Urządzenie należy podłączać do dedykowanego obwodu zasilania z osobnym bezpiecznikiem.
- Nie należy stosować rozgałęźnika, który jest nieprawidłowo uziemiony. Używając rozgałęźnika, należy sprawdzić, czy jest dostosowany do obciążenia odpowiedniego dla urządzenia lub wyższego.
- Zainstalować urządzenie w miejscu, w którym łatwo wyjąć wtyczkę z gniazda.
- Należy dołożyć wszelkich starań, aby wtyczka nie była zwrócona przewodem do góry oraz, aby urządzenie nie opierało się o wtyczkę.

- Zainstalować urządzenie na wytrzymałej i równej posadzce.
- Nie instalować urządzenia w wilgotnym i zakurzonym miejscu. Nie instalować i nie przechowywać urządzenia poza budynkami lub w miejscu narażonym na działanie warunków atmosferycznych, takich jak promienie słońca, wiatr lub deszcz oraz temp. poniżej zera stopni Celsjusza.
- Nie umieszczać urządzenia w miejscu bezpośredniego oddziaływania promieni słonecznych ani ciepła generowanego przez inne urządzenia, takie jak piekarniki czy grzejniki.
- Należy dołożyć wszelkich starań, aby nie odsłonić tylnej części urządzenia podczas instalacji.
- Należy dołożyć wszelkich starań, aby podczas montażu lub demontażu nie doszło do upuszczenia drzwi urządzenia.
- Należy dołożyć wszelkich starań, aby nie przedziurawić, rozbić, ani nie uszkodzić przewodu zasilającego podczas montażu lub demontażu drzwi urządzenia.
- Nie podłączać przejściówek ani innych akcesoriów do gniazda zasilania.

## **Działanie**

- Nie należy stosować urządzenia do celu innego niż domowe przechowywanie żywności (nie należy stosować np. do przechowywania materiałów medycznych, eksperymentalnych ani do transportu).
- Podczas gwałtownej burzy z wyładowaniami elektrycznymi lub gdy urządzenie nie będzie używane przez dłuższy czas należy wyciągnąć wtyczkę z gniazda zasilania.
- Nie wolno dotykać wtyczki ani elementów sterujących urządzeniem mokrymi rękami.
- Nie należy nadmiernie zaginać przewodu zasilania, ani stawiać na nim ciężkich przedmiotów.
- W przypadku, gdy woda dostanie się do elektrycznych elementów urządzenia, odłączyć wtyczkę i skontaktować się z centrum obsługi klienta LG Electronics.
- Nie należy umieszczać dłoni ani przedmiotów metalowych wewnątrz obszaru emitującego zimne powietrze, na osłonie, ani na grzałce uwalniającej ciepło z tyłu urządzenia.
- Nie należy stosować dużej siły ani nacisku na tylną osłonę urządzenia.
- Nie należy wkładać do urządzenia zwierząt.

- Należy zachować ostrożność przy otwieraniu i zamykaniu drzwi urządzenia, gdy w pobliżu są dzieci. Dziecko może zostać uderzone przez drzwi, co spowoduje u niego obrażenia. Nie należy dopuszczać, aby ktokolwiek huśtał się na drzwiach, gdyż może spowodować to przewrócenie się urządzenia oraz poważne obrażenia.
- Nie wolno zamykać dzieci w urządzeniu. Uwięzione w urządzeniu dziecko może się udusić.
- Nie umieszczać na urządzeniu ciężkich ani delikatnych przedmiotów, pojemników z płynem, substancji łatwopalnych, produktów palnych (świece, lampy itp.) ani urządzeń emitujących ciepło (palniki, grzejniki itp.).
- Jeśli wystąpi wyciek gazu (izobutanu, propanu, gazu ziemnego itp.), nie należy dotykać urządzenia ani wtyczki przewodu zasilającego; należy natychmiast przewietrzyć pomieszczenie. W tym urządzeniu zastosowano czynnik chłodniczy (izobutan, R600a). Mimo jego niewielkiej ilości może stanowić zagrożenie pożarowe. Gaz wyciekający podczas transportu, montażu lub pracy urządzenia może spowodować pożar, wybuch lub obrażenia ciała w razie kontaktu z iskrami.
- W pobliżu urządzenia nie należy stosować ani przechowywać substancji palnych (eter, benzen, alkohol, chemikalia, LPG, palny aerozole, środki owadobójcze, odświeżacze powietrza, kosmetyki itp.).
- W przypadku wykrycia nietypowego dźwięku, zapachu lub dymu emitowanego z urządzenia należy natychmiast odłączyć wtyczkę od zasilania i skontaktować się z centrum obsługi klienta LG Electronics.
- Kostkarkę i dystrybutor wody napełniać jedynie wodą pitną.
- Nie wolno uszkodzić obwodu rozmrażania.
- Nie należy umieszczać innych urządzeń elektrycznych (takich jak grzejnik lub telefon komórkowy) wewnątrz urządzenia.

### **Konserwacja**

- Przed rozpoczęciem mycia urządzenia lub wymiany lampy wewnątrz urządzenia odłączyć przewód zasilania.
- Po całkowitym wytarciu wilgoci i kurzu włożyć ostrożnie wtyczkę do gniazda.
- Nie wolno odłączać wtyczki z gniazdka, ciągnąc za przewód zasilający. Należy zawsze mocno trzymać wtyczkę i ruchem do siebie wyciągnąć ją z gniazda.

- Czyszcząc wnętrze i powierzchnie zewnętrzne urządzenia, nie rozpylać wody ani nie używać innych substancji (pasta do zębów, alkohol, rozpuszczalnik, benzen, płyny łatwopalne, substancje żrące itp.).
- Do czyszczenia urządzenia nie należy używać szczotek, szmatek ani gąbek o ostrej powierzchni lub wykonanych z domieszką włókien metalowych.
- Urządzenie może być demontowane, naprawiane i poddawane przeróbkom wyłącznie przez uprawniony personel centrum serwisowego LG Electronics. W przypadku przenoszenia i instalacji urządzenia w nowej lokalizacji należy skontaktować się z centrum obsługi klienta LG Electronics.
- Nie należy stosować suszarki do włosów do wysuszenia wnętrza urządzenia ani umieszczać wewnątrz świeczki w celu pozbycia się zapachu.
- Nie należy używać żadnych urządzeń mechanicznych ani innych środków w celu przyspieszania rozmrażania.

### **Utylizacja**

- Utylizując urządzenie, należy zdjąć osłonę drzwi, pozostawiając półki i kosze. Trzymać dzieci z dala od urządzenia.
- Opakowania (np. worki plastikowe i styropian) należy zutylizować w sposób, który nie narazi dzieci na kontakt z nimi. Materiały opakowaniowe mogą doprowadzić do uduszenia się.

### **Bezpieczeństwo techniczne**

- Należy dbać, by otwory wentylacyjne w obudowie urządzenia i w jego wnętrzu nie zostały niczym zablokowane.
- Nie używać urządzeń elektrycznych wewnątrz lodówki.
- Środek chłodniczy oraz gaz izolacyjny użyte w urządzeniu można utylizować wyłącznie w sposób zgodny z właściwymi dla takich produktów procedurami. Przed utylizacją należy skonsultować się z serwisantem lub osobą o podobnych kwalifikacjach.
- Środek chłodniczy wyciekający z rur może ulec zapłonowi lub wywołać wybuch.
- Ilość środka chłodniczego zastosowana w urządzeniu podana jest na tabliczce identyfikacyjnej wewnątrz urządzenia.
- Nie wolno włączać urządzenia noszącego jakiegokolwiek ślady uszkodzenia. W przypadku wystąpienia wątpliwości należy skontaktować się ze sprzedawcą.

- Urządzenie przeznaczone jest do stosowania w gospodarstwie domowym i podobnych warunkach. Nie należy użytkować urządzenia w celach komercyjnych lub cateringowych ani w zastosowaniach mobilnych przykładowo w samochodzie lub łodzi.
- W urządzeniu nie należy przechowywać materiałów wybuchowych, takich jak puszki aerozolowe zawierające palny materiał pędny.
- To urządzenie chłodnicze nie jest przeznaczone do zabudowy.

### **Ryzyko pożaru i materiały łatwopalne**



Symbol ten wskazuje materiały łatwopalne, które mogą ulec zapłonowi i spowodować pożar, jeśli nie zostanie zachowana odpowiednia ostrożność.

- To urządzenie zawiera niewielką ilość czynnika chłodniczego R600a (izobutan), który jest palny. Podczas transportu i montażu urządzenia należy uważać, aby żadna część obwodu zamrażania nie została uszkodzona.
- W przypadku wykrycia wycieku należy zlikwidować źródła otwartego ognia i inne potencjalne źródła zapłonu oraz wietrzyć przez kilka minut pomieszczenie, w którym jest urządzenie. Aby uniknąć wytworzenia palnej mieszaniny gazów z powietrzem w przypadku wystąpienia wycieku środka chłodniczego, wielkość pomieszczenia, w którym użytkowane jest urządzenie powinna odpowiadać ilości zastosowanego środka chłodniczego. Na każde 8 g środka R600a zastosowanego w urządzeniu powinien przypadać 1 m<sup>2</sup> pomieszczenia.
- Podczas ustawiania urządzenia należy upewnić się, że przewód zasilania nie jest przytrzaśnięty lub uszkodzony.
- Nie należy umieszczać z tyłu urządzenia rozgałęźnika lub źródeł zasilania, które nie są prawidłowo uziemione.

### **⚠ UWAGA**

**Aby zmniejszyć ryzyko obrażeń ciała, nieprawidłowego funkcjonowania urządzenia lub uszkodzenia produktu podczas jego używania, należy przestrzegać podstawowych środków ostrożności obejmujących poniższe:**

#### **Montaż**

- Nie należy przechylać urządzenia, aby je pociągnąć lub popchnąć podczas transportu.

- Przemieszczając urządzenie, należy uważać, aby nie przyciąć dłoni lub stopy.

### **Działanie**

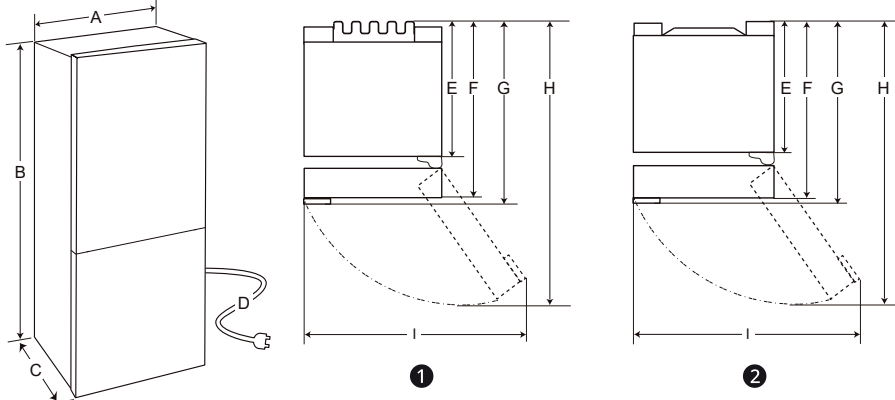
- Nie wolno dotykać zmrożonej żywności ani metalowych części w zamrażalniku mokrymi lub wilgotnymi dłońmi. Może dojść do pojawienia się odmrożeń.
- Nie umieszczać szklanych pojemników, butelek lub puszek (szczególnie tych z napojami gazowanymi) w zamrażalniku, na półkach lub w pojemniku na lód, jeśli będą narażone na temperaturę zamarzania.
- Szkło hartowane na froncie drzwi urządzenia i półki mogą ulec uszkodzeniu w wyniku uderzenia. Nie dotykać stłuczonego szkła
- Nie należy zwieszać się z drzwi urządzenia lub półek ani wspinać się na nie.
- Nie wolno przechowywać zbyt dużej liczby butelek z wodą ani pojemników na żywność w koszykach na drzwiach.
- Należy uniemożliwić zwierzętom dostęp do przewodu zasilania oraz węża doprowadzającego wodę.
- Nie należy stosować dużej siły do otwierania i zamykania drzwi urządzenia.
- Jeśli zawiasy drzwi produktu są uszkodzone lub działają nieprawidłowo, należy zaprzestać użytkowania urządzenia i skontaktować się z centrum serwisowym LG Electronics.
- Nie wolno czyścić szklanych półek ani pokryw ciepłą wodą, gdy są zimne.
- Nie wolno spożywać zmrożonej żywności bezpośrednio po jej wyciągnięciu z zamrażarki.
- Otwierając drzwi urządzenia, należy uważać, aby nie przyciąć dłoni lub stopy.

### **Konserwacja**

- Nie wkładać półek spodem do góry, ponieważ mogą wypaść.
- Aby rozmrozić urządzenie, należy skontaktować się z centrum obsługi klienta LG Electronics.

## Wymiary i ilość wolnego miejsca

Zbyt mała odległość od sąsiadujących elementów może obniżyć skuteczność chłodzenia i zwiększyć pobór energii elektrycznej. Podczas montażu urządzenia pozostawić ponad 50 mm wolnego miejsca od każdej ze ścian.



	1		2	
Wymiary [mm]				
	Uchwyt wpuszczany	Uchwyt drążkowy	Uchwyt wpuszczany	Uchwyt drążkowy
A	595	595	595	595
B	1 860 / 2 030	1 860 / 2 030	1 860 / 2 030	1 860 / 2 030
C	682	718	675	712
D	2 100	2 100	2 100	2 100
E	616	616	610	610
F	682	682	675	675
G	-	718	-	712
H	1 230	1 237	1 225	1 232
I	995	995	995	995

### UWAGA

- Wymiary podane w powyższej tabeli są przybliżone.

### Temperatura otoczenia

- Urządzenie jest przeznaczone do działania w ograniczonym zakresie temperatur otoczenia, w zależności od strefy klimatycznej.
- Na temperaturę wewnętrzną wpływ mają: lokalizacja urządzenia, temperatura otoczenia, częstotliwość otwierania drzwi itd.
- Klasę klimatyczną podano na etykiecie znamionowej.

Klasa klimatyczna	Zakres temperatur otoczenia (°C)
SN (rozszerzona umiarkowana)	+10 - +32
N (umiarkowana)	+16 - +32
ST (subtropikalna)	+16 - +38
T (tropikalna)	+16 - +43 / +10 - +43*

\*Australia, Indie, Kenia

### UWAGA

Urządzenia z oznaczeniami od SN do T są przeznaczone do użytkowania w temperaturze otoczenia od 10°C do 43°C.

## Uwagi dotyczące pracy urządzenia

- Należy pamiętać, że w przypadku niedomknięcia drzwi, w warunkach wysokiej wilgotności w porze letniej lub jeżeli drzwi zamrażalnika są często otwierane, może tworzyć się szron.
- Upewnić się, że między żywnością przechowywaną na półce lub w koszyku w drzwiach jest wystarczająco dużo miejsca, aby całkowicie zamknąć drzwi lodówki.
- Pozostawianie otwartych drzwi przez dłuższy czas może prowadzić do znacznego wzrostu temperatury w komorach urządzenia.
- Jeśli urządzenie chłodnicze pozostaje puste przez długi czas, należy je wyłączyć, rozmrozić, wyczyścić, osuszyć i pozostawić otwarte drzwi, aby zapobiec tworzeniu się pleśni w urządzeniu.

## Sugestie dotyczące oszczędzania energii

- Upewnić się, że między przechowywanymi produktami jest wystarczająco dużo miejsca. Dzięki temu zimne powietrze cyrkuluje prawidłowo, co obniża koszty energii elektrycznej.
- Gorącą żywność można przechowywać dopiero po jej wystygnięciu w celu zapobiegania procesom skraplania lub szronienia.
- Przechowując żywność w zamrażarce, należy ustawić temperaturę zamrażarki na niższą niż temperatura wskazana na produkcie żywnościowym.
- Nie umieszczać żywności w pobliżu czujników temperatury. Zachować od niech dystans co najmniej 3 cm.
- Należy pamiętać, że wzrost temperatury po rozmrażaniu musi odbywać się w dopuszczalnym zakresie wskazanym w specyfikacjach urządzenia. Jeżeli użytkownik chce zminimalizować wpływ procesu na żywność ze względu na wzrost temperatury, należy kilkakrotnie owinąć przechowywaną żywność.
- Automatem system rozmrażania zapobiega gromadzeniu się lodu w urządzeniu w standardowych warunkach działania.
- W celu najbardziej efektywnego wykorzystania należy utrzymywać wszystkie części wewnętrzne (np. pojemniki drzwi, szuflady i półki) na swoim oryginalnym miejscu.
- Nie ustawiać niższej temperatury w urządzeniu niż wymagana.

## Efektywne przechowywanie żywności

- Należy przechowywać mrożoną i schłodzoną żywność wewnątrz szczelnie zamkniętych pojemników.
- Przed rozpoczęciem przechowywania żywności w urządzeniu należy sprawdzić datę ważności oraz informacje na etykiecie (instrukcje przechowywania).
- Nie należy przechowywać żywności przez długi czas (dłużej niż 4 tygodnie), jeżeli łatwo ulega ona zepsuciu w niskiej temperaturze.
- Umieścić żywność zamrożoną i schłodzoną w lodówce lub zamrażarce od razu po jej zakupieniu. Unikać ponownego mrożenia żywności, która uległa całkowitemu rozmrożeniu. Ponowne zamrożenie żywności, która uległa całkowitemu rozmrożeniu obniża jej walory smakowe i odżywcze.
- Surowe mięso i ryby należy przechowywać w lodówce w odpowiednich pojemnikach tak, aby nie stykały się i nie skapywały na inne produkty.
- Nie owijać ani nie przechowywać warzyw w gazecie. Nadruki w gazecie i inne obce substancje mogą przenikać do żywności i ją skażać.
- Urządzenia nie należy przepelniać. W przepelnionym urządzeniu zimne powietrze nie może prawidłowo cyrkulować.
- W przypadku ustawienia zbyt niskiej temperatury dla produktów żywnościowych mogą one zamarznąć. Nie ustawiać temperatury niższej niż temperatura wymagana do prawidłowego przechowywania żywności.
- Aby uzyskać więcej przestrzeni, możesz wyjąć półkę na butelki, tackę na jajka, tackę na lód i szufladę komory świeżości. Żywność może zamarznąć lub zepsuć się, jeśli jest przechowywana w niewłaściwej temperaturze. Ustawić lodówkę na temperaturę właściwą dla przechowywanej żywności.

## Maksymalna zdolność zamrażania

- Funkcja Express Freeze ustawia zamrażarkę na maksymalną wydajność zamrażania. Zwykle trwa to do 24 godzin i wyłącza się automatycznie.
- Jeśli ma być zastosowana maksymalna zdolność zamrażania, funkcja Express Freeze musi być włączona przez siedem godzin, zanim świeże produkty zostaną umieszczone w komorze zamrażarki.



## Zamrażanie maksymalnej ilości żywności

- Aby uzyskać lepszy obieg powietrza, należy wsunąć wszystkie szuflady.
- Aby przechować dużą ilość żywności, należy wyjąć wszystkie szuflady zamrażalnika z urządzenia, a żywność umieścić bezpośrednio na półce zamrażalnika (lub półkach).

### UWAGA

- Aby wyjąć szuflady, należy najpierw wyjąć żywność z szuflad, a następnie ostrożnie wyciągnąć szuflady. Niezastosowanie się do tych instrukcji może powodować obrażenia ciała lub uszkodzenie szuflad.
- Szuflady mogą różnić się kształtem. Należy włożyć je we właściwym położeniu.

## Ustawianie temperatury

Służy do ustawiania temperatury lodówki lub zamrażarki.

- Nacisnąć przycisk **Fridge** lub **Freezer** w celu wyregulowania temperatury.
- Temperaturę można dostosować.
  - Lodówka: od 1 °C do 7 °C
  - Zamrażarka: od -15 °C do -23 °C
- Temperatura początkowa jest ustawiona.
  - Lodówka: 3°C
  - Zamrażarka: -18 °C

Faktyczna temperatura wewnętrzna podlega wahaniom zależnie od stanu żywności, zaś wskazywana temperatura nastawy jest temperaturą docelową, a nie faktyczną temperaturą panującą wewnątrz urządzenia.

### UWAGA

- Domyślne ustawienie temperatury może się różnić w zależności od urządzenia.
- W celu optymalnego przechowywania żywności zaleca się zwiększenie lub zmniejszenie domyślnej temperatury dla każdej komory o 1°C lub o jeden poziom.
- Przed rozpoczęciem przechowywania żywności w urządzeniu odczekać 2 lub 3 godziny od podłączenia urządzenia do gniazda.
- Aby wytworzyć lód w normalnym klimacie, należy ustawić temperaturę zamrażarki na -18°C lub niższą.

## Alarm wysokiej temperatury

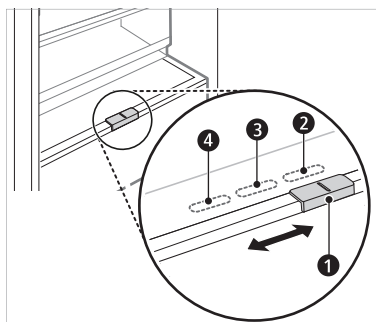
Gdy temperatura zamrażarki za bardzo wzrośnie z powodu awarii zasilania, dioda LED temperatury zamrażalnika zacznie migać i włączy się alarm dźwiękowy.

- Wcisnąć przycisk **Freezer**, aby zatrzymać alarm.
- Gdy temperatura będzie wystarczająco niska, miganie i alarm zostaną automatycznie zatrzymane.
- Ta funkcja działa:
  - Gdy lodówka jest włączona.
  - Gdy komora zamrażarki zbyt szybko się nagrzeje.
  - Gdy występuje przerwa w zasilaniu, która trwa dłuższy czas.
  - Gdy w komorze zamrażarki zostanie umieszczona duża ilość ciepłego jedzenia.
  - Gdy drzwi zamrażarki pozostają otwarte zbyt długo lub są otwierane zbyt często.

## Komora świeżości Fresh Converter ( \* )

W tej komorze chłodzącej można kontrolować temperaturę, przesuwając w dowolnym kierunku dźwignię znajdującą ❶ się z przodu komory.

Podczas przechowywania warzyw przy ustawieniu Mięso lub Ryby może wystąpić odmrożenie.



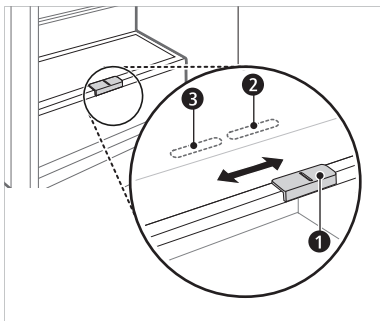
- ❷ Do przechowywania warzyw. (Zalecane)
- ❸ Do przechowywania ryb.
- ❹ Do przechowywania mięsa.

**UWAGA**

- ( \* ): Dana cecha może być różna – zależnie od zakupionego modelu.

**Szuflada na świeże warzywa ( \* )**

W szufladzie na warzywa można regulować wilgotność za pomocą suwaka ❶.



- ❷ Do przechowywania warzyw. (Zalecane)
- ❸ Do przechowywania owoców.

**UWAGA**

- ( \* ): Dana cecha może być różna – zależnie od zakupionego modelu.

## Komory do przechowywania żywności

### Przechowywanie żywności w komorze lodówki

- **Półka lodówki**
  - Tu przechowywana jest poddawana chłodzeniu żywność i inne produkty.
  - Wysokość półek można regulować, wsuwając półkę do rowka na innej wysokości.
  - Żywność o większej zawartości wody należy przechowywać bliżej przedniej części półki.
  - Rzeczywista liczba półek zależy od modelu.
- **Półka na butelki (\*)**
  - Tu przechowuje się wysokie butelki lub pojemniki z napojami.
- **Składana półka (\*)**
  - Tu przechowywana jest poddawana chłodzeniu żywność i wysokie produkty.
- **Szuflada na świeże warzywa (\*)**
  - Tu przechowywane są owoce i warzywa – regulator wilgotności zapewnia zachowanie ich świeżości.
  - Wygląd oraz elementy urządzenia mogą różnić się w zależności od modelu.
- **Komora świeżości Fresh Converter (\*)**
  - Komora chłodząca, w której przechowuje się mięso, ryby i warzywa. Pomaga zachować świeżość produktów za pomocą regulacji wilgotności. Regulator znajduje się na tylnej ścianie lodówki.
  - Aby uzyskać więcej miejsca, możesz korzystać z komory chłodzącej bez szuflady.
- **Ruchoma tacka na jajka**
  - Tu przechowuje się jajka.
  - Można ją przenieść i umieścić w pożądanym miejscu. Nie należy jednak używać jej w charakterze pojemnika na lód ani umieszczać jej na najwyższej półce lodówki lub na szufladzie na warzywa.

- **Kosz drzwiowy lodówki**

- Tu przechowywane są niewielkie produkty żywnościowe, napoje i sosy.

- **Zbiornik dystrybutora wody (\*)**

- Tu przechowywana jest woda do dystrybutora lub kostkarki do lodu. Wymaga ręcznego napełniania. (Tylko modele bez podłączenia do wodociągu)

### Przechowywanie żywności w komorze zamrażalnika

- **Pojemnik na lód**

- Służy do wytwarzania i przechowywania lodu.
- Aby uzyskać więcej miejsca, możesz wyjąć pojemnik na lód lub wiaderko z kostkami lodu.

- **Szuflada zamrażalnika**

- Służy do długoterminowego przechowywania mrożonych produktów.
- Aby szybko zamrozić produkty żywnościowe, przechowuj żywność po lewej stronie szuflady górnej. Produkty żywnościowe zamrażają się najszybciej w szufladzie.

### UWAGA

- (\*) : Dana cecha może być różna – zależnie od zakupionego modelu.
- Aby uzyskać więcej informacji o innych przegrodach, należy odwiedzić stronę internetową [lg.com](http://lg.com) i pobrać instrukcję użytkowania.

## Panel sterowania

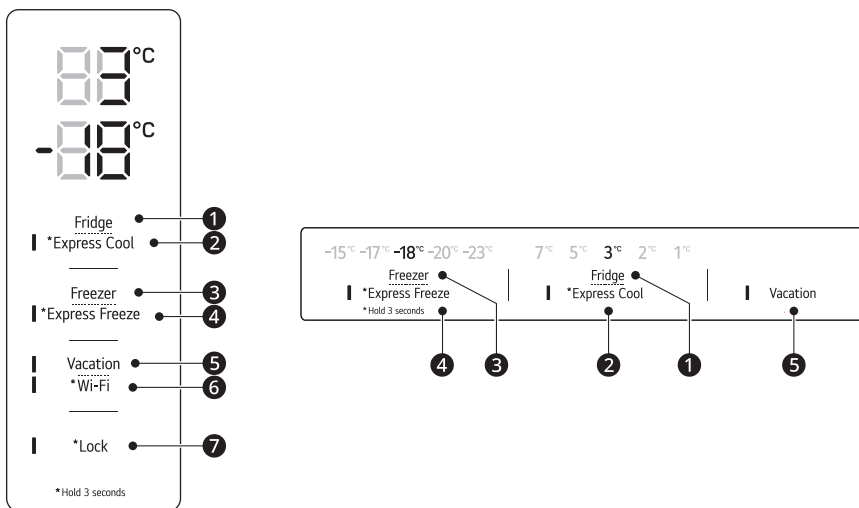
Panel sterowania może się różnić w zależności od modelu.

### Panel sterowania i funkcje

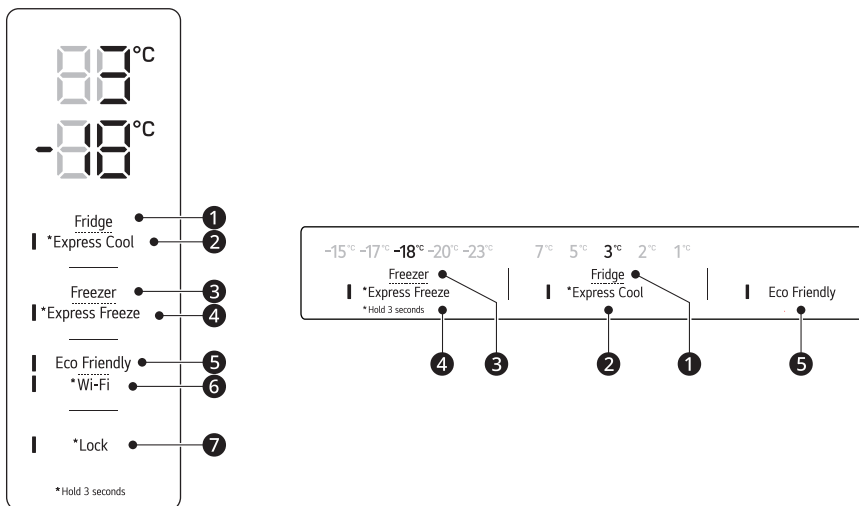
\*1 Funkcja ta jest dostępna tylko w wybranych modelach.

Panel sterowania może znajdować się na drzwiach lub wewnątrz lodówki w zależności od modelu.

#### Typ A



#### Typ B



**1 Fridge**

Naciskać przycisk w celu wybrania żądanej temperatury z przedziału od 1°C do 7°C.

- Domyślna temperatura chłodzenia to 3°C.

**2 Express Cool**

Funkcja ta umożliwia szybkie schłodzenie dużej ilości produktów spożywczych, takich jak warzywa, owoce itp.

- Funkcja ta jest włączana lub wyłączana za każdym razem, gdy przycisk zostanie naciśnięty i przytrzymany przez 3 sekundy.

**3 Freezer**

Naciskać przycisk w celu wybrania żądanej temperatury z przedziału od -15 °C do -23 °C.

- Domyślna temperatura mrożenia to -18°C.

**4 Express Freeze**

Ta funkcja umożliwia szybkie mrożenie dużej ilości lodu lub żywności.

- Nacisnąć przycisk Express Freeze, aby włączyć funkcję na 24 godziny. Funkcja automatycznie wyłączy się po upływie 24 godzin.
- Funkcja ta jest włączana lub wyłączana za każdym razem, gdy przycisk zostanie naciśnięty i przytrzymany przez 3 sekundy.
- Gdy tryb ten jest włączony, urządzenie może głośniej pracować i może wzrosnąć zużycie energii.

**5 Vacation**

Funkcja ta jest użyteczna, gdy użytkownik przebywa na wakacjach. Gdy funkcja ta jest włączona, temperatura chłodzenia wynosi 7°C a temperatura mrożenia -15°C. Gdy funkcja ta jest wyłączona, temperatura chłodzenia i mrożenia powracają do wcześniejszych ustawień.

- Kolejne naciśnięcia przycisku pozwalają włączyć lub wyłączyć tę funkcję.
- Gdy tryb ten jest włączony, pozostałe przyciski nie będą działać, za wyjątkiem przycisków **Lock** i **Wi-Fi**.
- Nazwę **Eco Friendly** zmieniono na **Vacation**.

**⚠ ACHTUNG**

- Kiedy funkcja ta jest włączona, należy uważać przy przechowywaniu produktów spożywczych, które wymagają temperatury niższej niż domyślna.
- Po powrocie do domu należy pamiętać o wyłączeniu tej funkcji, aby odblokować inne przyciski i przywrócić lodówkę do poprzednich ustawień temperatury.

**6 Wi-Fi\*1**

Ten przycisk umożliwia połączenie urządzenia z siecią Wi-Fi. Aby uzyskać informacje na temat wstępnej konfiguracji aplikacji **SMART FUNCTIONS**, należy zapoznać się z rozdziałem **LG ThinQ**.

**7 Lock\*1**

Umożliwia zablokowanie przycisków panelu sterowania.

- Aby zablokować przyciski panelu sterowania, należy nacisnąć i przytrzymać przez 3 sekundy przycisk **Lock** aż do aktywacji funkcji.
- Aby wyłączyć tę funkcję, należy nacisnąć i przytrzymać przez 3 sekundy przycisk **Lock** aż do dezaktywacji funkcji.

**UWAGA**

- W celu optymalnego przechowywania żywności zaleca się zwiększenie lub zmniejszenie domyślnej temperatury dla każdej komory o 1°C lub o jeden poziom.
- Wyświetlana temperatura jest temperaturą docelową, a nie rzeczywistą temperaturą wewnątrz urządzenia.
- Rzeczywista temperatura wewnątrz urządzenia zależy od następujących czynników: temperatury w pomieszczeniu, ilości pożywienia i częstotliwości otwierania drzwi, umiejscowienia urządzenia. Temperaturę należy ustawiać biorąc te czynniki pod uwagę.
- Panel sterowania wyłączy się automatycznie w celu oszczędności energii.
- W przypadku dotknięcia palcem lub muśnięcia skórą panelu sterowania podczas jego mycia może dojść do uruchomienia jakiejś funkcji.

## Aplikacja LG ThinQ

Funkcja ta jest dostępna tylko w modelach obsługujących sieć Wi-Fi.

Aplikacja **LG ThinQ** umożliwia komunikację z urządzeniem za pomocą smartfona.

### Funkcje aplikacji LG ThinQ

Komunikacja z urządzeniem za pomocą smartfona oraz wygodnych i zaawansowanych funkcji.

#### Smart Diagnosis

- Jeśli podczas korzystania z urządzenia wystąpi problem, funkcja Smart Diagnosis pomoże w jego zidentyfikowaniu.

#### Ustawienia

- Ta funkcja służy do ustawiania różnych opcji w urządzeniu i aplikacji.

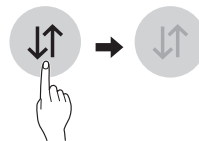
#### UWAGA

- W przypadku zmiany routera Wi-Fi, dostawcy Internetu lub hasła należy usunąć zarejestrowane urządzenie z aplikacji **LG ThinQ** i zarejestrować je ponownie.
- Aplikacja może być modyfikowana w celu poprawy wydajności urządzenia bez uprzedniego powiadomienia.
- Funkcje mogą się różnić w zależności od modelu.

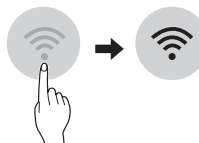
### Przed skorzystaniem z aplikacji LG ThinQ

- 1 Sprawdzić odległość między urządzeniem a routerem bezprzewodowym (siecią Wi-Fi).
  - Jeżeli odległość między urządzeniem a routerem bezprzewodowym jest zbyt duża, siła sygnału będzie słabsza. Rejestracja może trwać dłużej lub instalacja może się nie powieść.

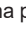
- 2 Wyłączyć ustawienie **Dane mobilne** lub **Dane sieci komórkowej** na smartfonie.



- 3 Połączyć smartfon z routerem bezprzewodowym.



#### UWAGA

- Aby zweryfikować połączenie z siecią Wi-Fi, sprawdzić, czy ikona  na panelu sterowania jest podświetlona.
- Urządzenie obsługuje wyłącznie sieci Wi-Fi 2,4 GHz. Aby sprawdzić częstotliwość sieci Wi-Fi, należy skontaktować się z dostawcą Internetu lub zająć do instrukcji obsługi routera.
- **LG ThinQ** nie ponosi odpowiedzialności za jakiegokolwiek problemy z połączeniem sieciowym, usterki, awarie lub błędy spowodowane przez nieprawidłowe połączenie sieciowe.
- Jeśli urządzenie nie może nawiązać połączenia sieciowego Wi-Fi, może znajdować się w zbyt dużej odległości od routera. Aby poprawić siłę sygnału Wi-Fi, należy zakupić wzmacniacz sygnału Wi-Fi.
- Inne urządzenia w sieci domowej mogą przerwać połączenie z siecią Wi-Fi lub powodować jego zakłócenia.
- W zależności od dostawcy usług internetowych połączenie sieciowe może nie działać prawidłowo.
- Inne urządzenia połączone z siecią bezprzewodową mogą obniżyć jej szybkość.
- Nie można zarejestrować urządzenia z powodu problemów z transmisją sygnału bezprzewodowego. Odłączyć urządzenie i odczekać około minuty przed ponowną próbą.
- Jeżeli w routerze bezprzewodowym jest włączona zaporę sieciowa, wyłączyć zaporę lub dodać do niej wyjątek.
- Nazwa sieci bezprzewodowej (SSID) może zawierać litery alfabetu języka angielskiego oraz cyfry. (Nie należy stosować znaków specjalnych).


- Interfejs smartfonu może się różnić w zależności od systemu operacyjnego oraz producenta.
- Jeśli protokół zabezpieczeń ustawiony w routerze to **WEP**, skonfigurowanie połączenia sieciowego może się nie powieść. Należy zmienić protokół na inny (zalecamy **WPA2**) i ponowić rejestrację produktu.

## Instalowanie aplikacji LG ThinQ

Wyszukać aplikację **LG ThinQ** w sklepie Google Play & Apple App Store na smartfonie.

- Postępować zgodnie z instrukcjami, aby pobrać i zainstalować aplikację.

## Łączenie z siecią Wi-Fi

Przycisk **Wi-Fi** służy do połączenia urządzenia z domową siecią Wi-Fi podczas korzystania z aplikacji **LG ThinQ**. Ikona  sygnalizuje stan połączenia sieciowego urządzenia. Połączenie urządzenia z siecią Wi-Fi jest sygnalizowane podświetleniem ikony.


### Pierwsza rejestracja urządzenia

- Uruchościć aplikację **LG ThinQ** i wykonywać wyświetlane instrukcje, aby zarejestrować urządzenie.

### Ponowne rejestrowanie urządzenia lub rejestrowanie innego użytkownika

- Nacisnąć przycisk **Wi-Fi** i przytrzymać przez 3 sekundy, aby tymczasowo wyłączyć. Uruchościć aplikację **LG ThinQ** i wykonywać wyświetlane instrukcje, aby zarejestrować urządzenie.

### UWAGA

- Aby wyłączyć funkcję Wi-Fi, nacisnąć przycisk **Wi-Fi** i przytrzymać przez 3 sekundy. Ikona  zniknie.

## Informacja dotycząca oprogramowania open source

Aby uzyskać zawarty w tym produkcie kod źródłowy podlegający licencjom GPL, LGPL, MPL i innym licencjom open source, które mają obowiązek ujawniać kod źródłowy oraz aby uzyskać dostęp do wszystkich warunków wymienionych licencji, informacji o prawach autorskich oraz innych istotnych dokumentów, należy odwiedzić stronę:

<https://opensource.lge.com>.

Firma LG Electronics oferuje także dostarczenie kodu źródłowego typu otwartego na CD-ROM za kwotę pokrywającą koszty takiej dystrybucji (jak koszty nośnika, transportu i przechowania) po przesłaniu prośby na adres [opensource@lge.com](mailto:opensource@lge.com). Oferta ta jest ważna dla każdego, kto otrzyma tę informację przez okres trzech lat od ostatniej wysyłki tego produktu.

## Uwagi dotyczące czyszczenia

- Wyjmując półkę lub szufladę z urządzenia, usunąć żywność z półki lub szuflady w celu zapobiegania ewentualnym obrażeniom lub uszkodzeniu urządzenia.
  - W przeciwnym razie można odnieść obrażenia spowodowane wagą przechowywanej żywności.
- W przypadku czyszczenia zewnętrznych otworów wentylacyjnych za pomocą odkurzacza, wtyczka urządzenia powinna być odłączona od gniazda w celu uniknięcia wyładowań statycznych, które mogą uszkodzić elektronikę lub spowodować porażenie prądem.
- Wyjąć półki i szuflady i umyć je wodą. Następnie osuszyć przed ich wymianą.
- Uszczelki drzwi należy regularnie przecierać mokrym, miękkim ręcznikiem.
- Wszystkie rozlane substancje i plamy należy usuwać, ponieważ mogą utrudnić korzystanie z koszyka, a nawet spowodować jego uszkodzenie.
- Po czyszczeniu należy sprawdzić, czy kabel zasilania nie jest uszkodzony, rozgrzany lub niewłaściwie podłączony.
- Otwory wentylacyjne na zewnątrz urządzenia muszą być utrzymywane w czystości.
  - Zablockowanie otworu wentylacyjnego może spowodować pożar oraz uszkodzenie produktu.
- Podczas czyszczenia urządzenia wewnątrz lub na zewnątrz nie używać twardych szczotek, pasty do zębów ani materiałów łatwopalnych. Nie używać środków czystości zawierających substancje łatwopalne.
  - Może to spowodować odbarwienie lub uszkodzenie urządzenia.
  - Podczas czyszczenia urządzenia wewnątrz lub na zewnątrz nie używać twardych szczotek, pasty do zębów ani materiałów łatwopalnych. Nie używać środków czystości zawierających substancje łatwopalne.
- Zewnętrzną część urządzenia myć czystą gąbką lub miękką szmatką, stosując ciepłą wodę z dodatkiem delikatnego detergentu. Nie stosować substancji trących i agresywnych środków myjących. Wysuszyć za pomocą miękkiej szmatki.
- Nie wolno czyścić półek ani pojemników w zmywarce.
  - Części mogą ulegać deformacji na skutek ciepła.
- Należy regularnie czyścić powierzchnie, które stykają się z żywnością, oraz instalacje odprowadzające, do których użytkownik ma dostęp.
- Jeżeli urządzenie jest wyposażone w lampę LED, nie zdejmować jej klosza ani nie próbować jej naprawiać i konserwować. Należy skontaktować się z centrum obsługi klienta LG Electronics.

## Utylizacja starego urządzenia



- Symbol przekreślonego pojemnika na odpady na kółkach oznacza, że produkty elektryczne lub elektroniczne (WEEE) należy zutylizować poza obiegiem odpadów komunalnych.
- Stare produkty elektroniczne mogą zawierać niebezpieczne substancje. Właściwa utylizacja starego urządzenia pozwoli uniknąć potencjalnych negatywnych skutków dla środowiska i zdrowia. Stare urządzenie może zawierać części wielokrotnego użytku, które mogą zostać wykorzystane do naprawy innych produktów lub inne wartościowe materiały, które można przetworzyć, aby oszczędzać zasoby naturalne.
- Możesz zanieść urządzenie do sklepu, w którym zostało kupione lub skontaktować się z lokalnym urzędem gospodarki odpadami, aby uzyskać informacje o najbliższym punkcie zbiórki WEEE. Aby uzyskać aktualne informacje z zakresu gospodarki odpadami obowiązującej w Twoim kraju, odwiedź stronę <http://www.lg.com/global/sustainability/environment/take-back-recycling/global-network-europe> (plik PDF : „For more information about how to recycle LG products in your country”).



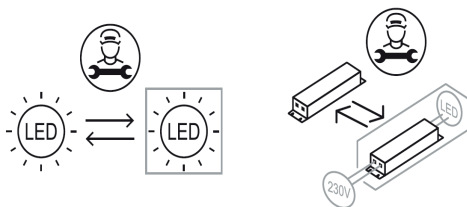
## Obsługa klienta i serwisowanie

Kontakt z centrum obsługi klienta LG Electronics.

- Informacje na temat autoryzowanych centrów serwisowych LG znajdują się na stronie internetowej [www.lg.com](http://www.lg.com).
- Tylko wykwalifikowany personel serwisowy z autoryzowanego centrum serwisowego LG może demontować, naprawiać lub modyfikować urządzenie.
- Minimalny okres gwarancyjny tego urządzenia chłodniczego wynosi 24 miesiące.
- Aby zakupić części zamienne, prosimy skontaktować się z centrum obsługi klienta LG Electronics lub odwiedzić stronę internetową [www.lg.com](http://www.lg.com).
- Części zamienne określone w Rozporządzeniu UE 2019/2019 są dostępne przez 7 lat (tylko uszczelki drzwi są dostępne przez 10 lat).

### UWAGA

- Aby uzyskać więcej informacji o efektywności energetycznej urządzenia, prosimy odwiedzić stronę internetową <https://ec.europa.eu> i wyszukać odpowiednie dane według nazwy modelu (obowiązuje od 1 marca 2021 r.).
- Rozporządzenie (UE) 2019/2019 mające zastosowanie od 1 marca 2021 dotyczy klas efektywności energetycznej zgodnych z Rozporządzeniem (UE) 2019/2016.
- Zeskanowanie kodu QR znajdującego się na etykiecie energetycznej dołączonej do urządzenia spowoduje przejście na stronę bazy danych UE EPREL z informacjami dotyczącymi wydajności urządzenia. Należy zachować etykietę energetyczną i pozostałą dokumentację dołączoną do urządzenia w celach informacyjnych (obowiązuje od 1 marca 2021 r.).
- Nazwę modelu podano na etykiecie znamionowej urządzenia.
- Produkt zawiera źródło światła klasy energetycznej G.





MANUAL DO UTILIZADOR

# FRIGORÍFICO E CONGELADOR

**Leia este manual do utilizador na íntegra antes de utilizar o aparelho e guarde-o num local acessível para consulta.**

[www.lg.com](http://www.lg.com)

Consulte o manual do utilizador no website da LG para informações mais detalhadas.

Copyright © 2019-2023 LG Electronics Inc. Todos os direitos reservados

# ÍNDICE

Este manual pode incluir imagens ou conteúdos que não correspondem ao modelo comprado.

Este manual está sujeito a revisão por parte do fabricante.

<b>INSTRUÇÕES DE SEGURANÇA .....</b>	<b>3</b>
INSTRUÇÕES DE SEGURANÇA IMPORTANTES .....	3
<b>INSTALAÇÃO .....</b>	<b>10</b>
Dimensões e distâncias .....	10
Temperatura ambiente .....	10
<b>FUNCIONAMENTO .....</b>	<b>11</b>
Observações relativamente ao funcionamento .....	11
Conversor de Frescor ( * ) .....	12
Compartimento para verdes ( * ) .....	12
Painel de controlo .....	14
<b>FUNÇÕES SMART .....</b>	<b>16</b>
Aplicação LG ThinQ .....	16
<b>MANUTENÇÃO .....</b>	<b>18</b>
Observações relativamente à limpeza .....	18
Eliminação do seu aparelho usado .....	18
<b>RESOLUÇÃO DE PROBLEMAS .....</b>	<b>19</b>

## Informações Adicionais Do Manual

Esta é uma versão curta do Manual do utilizador.  
Para mais informações, visite o website da LG  
<http://www.lg.com/pt>



## Resolução de problemas




## INSTRUÇÕES DE SEGURANÇA

PT

As seguintes diretrizes de segurança destinam-se a evitar riscos ou danos imprevistos resultantes de utilização incorreta ou perigosa do equipamento.

As diretrizes encontram-se divididas em “AVISO” e “ADVERTÊNCIA”, conforme descrito abaixo.

 Este símbolo é apresentado para assinalar assuntos e utilizações que podem representar perigo. Leia cuidadosamente a secção com este símbolo e siga as instruções de forma a evitar riscos.

### AVISO

Isto indica que a não observância das instruções pode provocar ferimentos graves ou morte.

### ADVERTÊNCIA

Isto indica que a não observância das instruções pode provocar ferimentos menores ou danos no produto.

## INSTRUÇÕES DE SEGURANÇA IMPORTANTES

### AVISO

Para reduzir o risco de explosão, incêndio, morte, choque elétrico, ferimentos ou queimaduras causadas pela água em pessoas aquando da utilização deste produto, siga as precauções básicas, incluindo o que se segue:

#### **Crianças em casa**

- Este equipamento não se destina a ser utilizado por pessoas (incluindo crianças) com capacidades físicas, sensoriais ou mentais reduzidas ou sem experiência e conhecimentos, exceto se acompanhadas ou instruídas relativamente à utilização do equipamento por uma pessoa responsável pela sua segurança. As crianças devem ser supervisionadas para garantir que não brincam com o equipamento.
- Se o dispositivo estiver equipado com uma fechadura (apenas alguns modelos), mantenha a chave fora do alcance das crianças.

**Para utilização na Europa:**

- Este equipamento pode ser utilizado por crianças com idades a partir dos 8 anos e por pessoas com capacidades físicas, sensoriais ou mentais reduzidas ou com falta de experiência e conhecimentos, desde que tenham sido advertidas e instruídas relativamente à utilização do equipamento de uma forma segura e que compreendam os riscos envolvidos. As crianças não devem brincar com o equipamento. A limpeza e a manutenção destinadas ao utilizador não devem ser realizadas por crianças sem supervisão.
- Crianças com idade entre 3 e 8 anos podem encher e esvaziar aparelhos de refrigeração.

**INSTALAÇÃO**

- Este equipamento só deve ser transportado por duas ou mais pessoas, segurando-o firmemente.
- Certifique-se de que a tomada está devidamente ligada à terra e de que o pino de ligação à terra no cabo de alimentação não está danificado nem removido da ficha elétrica. Para obter mais detalhes acerca da ligação à terra, entre em contacto com o centro de atendimento ao cliente da LG Electronics.
- Este equipamento está equipado com um cabo de alimentação que possui um condutor e uma ficha de ligação à terra. A ficha elétrica deve estar ligada a uma tomada adequada, a qual esteja devidamente instalada e ligada à terra em conformidade com todos os códigos e regulamentos locais.
- Se o cabo de alimentação ou a ficha elétrica apresentar danos ou se a tomada estiver solta, não utilize o cabo de alimentação e entre em contacto com um centro de atendimento autorizado.
- Não ligue o aparelho a um adaptador multi-tomadas sem um cabo de alimentação (instalado).
- Não modifique nem aumente o comprimento do cabo de alimentação.
- O aparelho deve estar ligado a uma linha de alimentação para o efeito, com fusíveis separados.
- Não utilize uma extensão multi-tomadas que não está bem ligada à terra (portátil). Caso utilize uma extensão multi-tomadas bem ligada à terra (portátil), utilize a extensão multi-tomadas com a capacidade de corrente da classificação do código de alimentação ou superior e utilize a extensão multi-tomadas apenas para o aparelho.
- Instale o equipamento num local onde seja fácil desligar a ficha elétrica do equipamento.

- Tenha o cuidado de não colocar a ficha elétrica voltada para cima e de não deixar o equipamento encostado à ficha elétrica.
- Instale o equipamento num piso firme e nivelado.
- Não instale o equipamento num local húmido ou empoeirado. Não instale nem mantenha o equipamento numa área exterior ou em qualquer área sujeita às condições climatéricas, tais como luz solar direta, vento, chuva ou temperaturas abaixo de zero.
- Não coloque o equipamento em contacto direto com a luz solar nem exposto ao calor de equipamentos de aquecimento como fornos ou aquecedores.
- Tenha o cuidado de não expor a parte traseira do equipamento durante a instalação.
- Tenha o cuidado de não deixar a porta do equipamento cair durante a montagem ou desmontagem.
- Tenha o cuidado de não perfurar, esmagar ou, de outro modo, danificar o cabo de alimentação durante a montagem ou desmontagem da porta do equipamento.
- Não ligue um adaptador de ficha ou outros acessórios à ficha de alimentação.

## **Funcionamento**

- Não utilize o equipamento para nenhum outro fim (transporte ou armazenamento de materiais médicos ou experimentais) que não seja o armazenamento doméstico de alimentos.
- Desligue a ficha elétrica em caso de trovoada ou quando esta não for utilizada durante um longo período de tempo.
- Não toque na ficha elétrica ou nos controlos do equipamento com as mãos molhadas.
- Não dobre excessivamente o cabo de alimentação nem coloque um objeto pesado sobre o mesmo.
- Se entrar água nas partes elétricas do equipamento, desligue a ficha elétrica e entre em contacto com o centro de apoio ao cliente da LG Electronics.
- Não coloque as mãos ou objetos metálicos no interior da área que emana o ar frio, da cobertura ou da grelha dissipadora de calor na parte traseira.
- Não aplique força ou impactos excessivos na cobertura traseira do equipamento.
- Não coloque animais, tais como animais domésticos, dentro do equipamento.

- Tenha cuidado ao abrir ou fechar a porta do equipamento junto a crianças. A porta poderá bater na criança e provocar ferimentos. Não permita que alguém se pendure em qualquer uma das portas, uma vez que a unidade pode cair e provocar ferimentos graves.
- Evite o perigo de alguma criança ficar presa no interior do equipamento. Uma criança presa no interior do equipamento pode sufocar.
- Não coloque objetos pesados ou frágeis, recipientes com líquidos, substâncias combustíveis, objetos inflamáveis (tais como velas, luzes, etc.) ou dispositivos de aquecimento (tais como fornos, aquecedores, etc.) no aparelho.
- Se ocorrer uma fuga de gás (isobutano, propano, gás natural, etc.), não toque no equipamento nem na ficha elétrica e proceda à ventilação da área imediatamente. Este equipamento usa um gás refrigerante (isobutano, R600a). Embora contenha uma pequena quantidade de gás, continua a ser combustível. Uma fuga de gás durante o transporte, a instalação ou o funcionamento do equipamento pode provocar um incêndio, uma explosão ou ferimentos se forem provocadas faíscas.
- Não utilize ou armazene substâncias inflamáveis ou combustíveis (éter, benzeno, álcool, produtos químicos, GPL, spray combustível, inseticida, ambientador, cosméticos, etc.) junto ao equipamento.
- Desligue imediatamente a ficha elétrica e entre em contacto com o centro de apoio ao cliente da LG Electronics se detetar um ruído, odor ou fumo anormal provenientes do equipamento.
- Encha com água potável apenas a máquina de gelo ou o reservatório do dispensador de água.
- Não danifique o circuito de refrigeração.
- Não coloque outro equipamento eletrónico (como um aquecedor ou telemóvel) no interior do equipamento.

### **Manutenção**

- Desligue a ficha elétrica antes de limpar o equipamento ou substituir a lâmpada interior (caso exista).
- Ligue firmemente a ficha elétrica à tomada após eliminar completamente qualquer humidade ou sujidade.
- Nunca desligue o equipamento da tomada puxando pelo cabo de alimentação. Segure sempre firmemente a ficha elétrica e retire-a da tomada.

- Não pulverize água ou substâncias inflamáveis (pasta de dentes, álcool, diluente, benzeno, líquido inflamável, abrasivo, etc.) sobre o interior ou exterior do aparelho para o limpar.
- Não proceda à limpeza do equipamento com escovas, panos ou esponjas com superfícies abrasivas ou que sejam feitas de um material metálico.
- Apenas um técnico de assistência autorizado pelo centro de atendimento da LG Electronics pode desmontar, reparar ou alterar o equipamento. Entre em contacto com o centro de apoio ao cliente da LG Electronics caso mova ou instale o equipamento num local diferente.
- Não utilize um secador de cabelo para secar o interior do equipamento nem coloque uma vela no interior para remover odores.
- Não utilize dispositivos mecânicos ou outros meios para acelerar o processo de descongelamento.

### **Eliminação**

- Quando eliminar o equipamento, remova as juntas da porta e deixe as prateleiras e as prateleiras da porta no sítio e mantenha as crianças afastadas do equipamento.
- Elimine todo o material de embalagem (tal como sacos de plástico e esferovite) para fora do alcance de crianças. O material de embalagem pode causar asfixia.

### **Segurança técnica**

- Mantenha as aberturas de ventilação, na caixa do equipamento ou na estrutura incorporada, livres de obstruções.
- Não utilize aparelhos elétricos dentro do frigorífico.
- O gás refrigerante e o gás de expansão de isolamento utilizado no equipamento exigem procedimentos de eliminação especiais. Consulte o técnico da assistência ou uma pessoa igualmente qualificada antes de proceder à sua eliminação.
- Uma fuga de refrigerante dos tubos pode inflamar ou provocar uma explosão.
- A quantidade de refrigerante no seu equipamento em particular é apresentada na placa de identificação no interior do equipamento.
- Nunca ligue um equipamento que apresente sinais de danos. Se tiver dúvidas, consulte o seu fornecedor.



- Este equipamento só deve ser utilizado domesticamente e em aplicações semelhantes. Não deve ser utilizado para fins comerciais ou de restauração, nem em aplicações móveis como caravanas ou barcos.
- Não armazene neste equipamento substâncias explosivas tais como latas de aerossol como carburantes inflamáveis.
- Este aparelho de refrigeração não se destina a ser utilizado como um aparelho encastrado.

### **Risco de incêndio e materiais inflamáveis**



Este símbolo alerta sobre materiais inflamáveis que podem se inflamar e causar um incêndio se você não tomar cuidado.

- Este equipamento contém uma pequena quantidade de refrigerante isobutano (R600a), mas também é combustível. Ao transportar e instalar o equipamento, é necessário garantir que nenhuma das peças do circuito de refrigeração fica danificada.
- Se for detetada uma fuga, evite produzir chamas ou outras potenciais fontes de ignição e areje a divisão onde o equipamento se encontra durante alguns minutos. De forma a evitar a criação de uma mistura de gás e ar inflamável, caso tenha ocorrido uma fuga no circuito de refrigeração, a dimensão da divisão onde o equipamento é utilizado deve corresponder à quantidade de refrigerante utilizado. A divisão deve possuir uma dimensão de 1 m<sup>2</sup> para cada 8 g de refrigerante R600a no interior do equipamento.
- Ao posicionar o equipamento, certifique-se de que o cabo de alimentação não esteja enredado ou danificado.
- Não coloque várias tomadas portáteis ou fontes de energia portáteis na parte traseira do equipamento.

### **⚠ ADVERTÊNCIA**

**Para reduzir o risco de ferimentos menores a pessoas, avarias ou danos no produto ou na propriedade aquando da utilização deste produto, siga as precauções básicas, incluindo o seguinte:**

### **INSTALAÇÃO**

- Não incline o equipamento para o puxar ou empurrar durante o transporte.

- Certifique-se de que não fica com uma parte do corpo, tal como uma mão ou pé preso ao mover o aparelho.

### **Funcionamento**

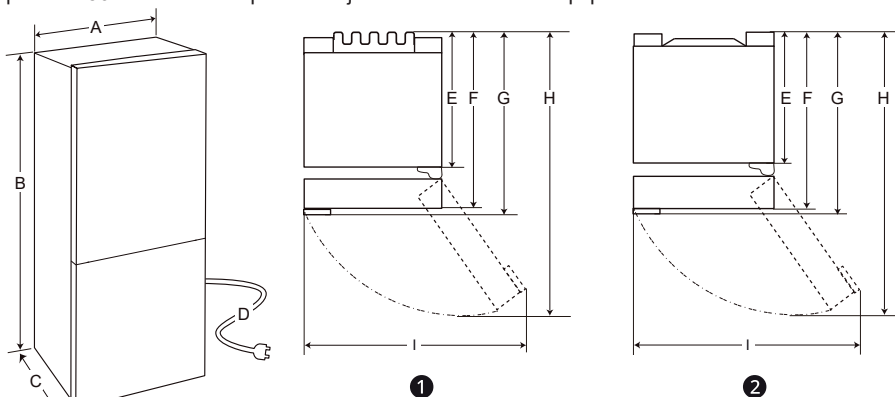
- Não toque nos alimentos congelados ou nas partes metálicas do compartimento do congelador com as mãos molhadas ou húmidas. Esta ação pode provocar ferimentos devido ao gelo.
- Não coloque recipientes de vidro, garrafas ou latas (especialmente os recipientes com bebidas gaseificadas) no compartimento do congelador, prateleiras ou compartimento de gelo que serão expostos a temperaturas negativas.
- O vidro temperado na parte frontal da porta do aparelho ou prateleiras pode ser danificado por um impacto. Se estiver quebrado, não lhe toque com as mãos.
- Não se agarre às portas, ao espaço de armazenamento ou às prateleiras do equipamento nem suba para o mesmo.
- Não armazene uma quantidade excessiva de garrafas de água ou recipientes para acompanhamentos nas prateleiras da porta.
- Evite que os animais mordam o cabo elétrico ou a mangueira de água.
- Não abra ou feche a porta do equipamento com força excessiva.
- Se as dobradiças da porta do produto estiverem danificadas ou funcionarem incorretamente, interrompa imediatamente a sua utilização e contacte um centro de atendimento da LG Electronics.
- Não limpe as prateleiras ou as coberturas de vidro com água morna quando estas estiverem frias.
- Nunca consuma alimentos congelados imediatamente após estes terem sido retirados do compartimento do congelador.
- Certifique-se de que não fica com uma mão ou pé preso ao abrir ou fechar a porta do aparelho.

### **Manutenção**

- Não introduza as prateleiras viradas ao contrário. Podem cair.
- Para remover o gelo do equipamento, entre em contacto com um centro de apoio ao cliente da LG Electronics.

## Dimensões e distâncias

Uma distância demasiado pequena em relação aos itens adjacentes pode resultar na degradação da capacidade de congelação e no aumento dos custos da eletricidade. Permita uma distância superior a 50 mm em cada parede adjacente ao instalar o equipamento.



	1		2	
	Tamanho [mm]			
	Alça Portátil	Alça da Barra	Alça Portátil	Alça da Barra
A	595	595	595	595
B	1 860 / 2 030	1 860 / 2 030	1 860 / 2 030	1 860 / 2 030
C	682	718	675	712
D	2 100	2 100	2 100	2 100
E	616	616	610	610
F	682	682	675	675
G	-	718	-	712
H	1 230	1 237	1 225	1 232
I	995	995	995	995

### OBSERVAÇÃO

- As medidas na tabela acima são aproximadas.

## Temperatura ambiente

- O equipamento foi criado para funcionar dentro de um intervalo limitado de temperatura ambiente, consoante a zona climática.
- A temperatura interna pode ser afetada pela localização do equipamento, a temperatura ambiente, a frequência de abertura da porta e assim por diante.
- A classe climática pode ser encontrada na etiqueta de classificação.

Classe climática	Intervalo de temperatura ambiente °C
SN (Temperado Abrangente)	+10 - +32
N (Temperado)	+16 - +32
ST (Sub-tropical)	+16 - +38
T (Tropical)	+16 - +43 / +10 - +43*

\*Austrália, Índia, Quênia

### OBSERVAÇÃO

Os equipamentos com classificação de SN a T destinam-se a uma utilização com temperatura ambiente entre 10 °C e 43 °C.

## Observações relativamente ao funcionamento

- Os utilizadores devem estar cientes de que pode ocorrer formação de gelo se a porta não estiver completamente fechada, se o nível de humidade for elevado durante o verão ou se a porta do congelador for aberta com frequência.
- Certifique-se de que há espaço suficiente entre os alimentos armazenados na prateleira principal ou na prateleira da porta para permitir que esta feche por completo.
- Abrir a porta por longos períodos pode causar um aumento significativo da temperatura nos compartimentos do aparelho.
- Se o aparelho de refrigeração ficar vazio por longos períodos, desligue, descongele, limpe, seque e deixe a porta aberta para evitar o desenvolvimento de mofo dentro do equipamento.

## Sugestão para poupar energia

- Certifique-se de que há espaço suficiente entre os alimentos armazenados. Isto permite que o ar frio circule uniformemente e diminui o valor das contas de electricidade.
- Armazene os alimentos quentes apenas depois de estes terem arrefecido, para impedir a formação de humidade ou de gelo.
- Quando colocar alimentos no compartimento do congelador, defina a temperatura do congelador para um valor inferior àquele indicado no equipamento.
- Não coloque alimentos junto ao sensor de temperatura do frigorífico. Mantenha-os a uma distância de, pelo menos, 3 cm do sensor.
- Observe que um aumento de temperatura após o descongelamento tem um limite permitido nas especificações do aparelho. Se pretender minimizar o impacto que isso pode ter no armazenamento de alimentos devido a um aumento de temperatura, lacre ou embrulhe os alimentos armazenados em várias camadas.
- O sistema de descongelação automática no equipamento garante que o compartimento permanece livre de acumulação de gelo em condições normais de funcionamento.
- Para uma utilização mais eficiente da energia, mantenha todas as partes interiores (por exemplo, caixotes das portas, gavetas e prateleiras) no seu local original.
- Não defina a temperatura do aparelho mais baixa do que necessário.

## Armazenar alimentos de forma eficiente

- Armazene alimentos congelados ou refrigerados em recipientes fechados.
- Verifique a data de validade e o rótulo (instruções de armazenamento) antes de armazenar os alimentos no equipamento.
- Não armazene alimentos durante um longo período de tempo (mais de quatro semanas) se estes se estragarem facilmente a baixas temperaturas.
- Coloque os alimentos refrigerados em cada compartimento do frigorífico ou congelador imediatamente após a aquisição dos mesmos. Evite congelar novamente qualquer alimento que tenha sido completamente descongelado. Congelar novamente qualquer alimento que tenha sido completamente descongelado irá prejudicar o seu sabor e o seu valor nutritivo.
- Armazene carnes e peixes crus em recipientes adequados na frigorífico, para que não entrem em contato e não pinguem em outros alimentos.
- Não envolva legumes em papel de jornal para armazená-los. O material de impressão do jornal ou outras substâncias estranhas podem sujar e contaminar os alimentos.
- Não preencha em demasiado o equipamento, o ar frio não circulará adequadamente se o aparelho estiver demasiado cheio.
- Se definir uma temperatura excessivamente baixa para os alimentos, estes podem congelar. Não defina uma temperatura mais baixa do que a temperatura necessária para que os alimentos sejam armazenados corretamente.
- Se precisar de mais espaço, pode remover a prateleira para garrafas, tabuleiro para ovos, tabuleiro de gelo e a gaveta conversor de frescor.
- Os alimentos podem congelar ou estragar-se caso sejam armazenados à temperatura errada. Ajuste o frigorífico à temperatura correta para os alimentos armazenados.

## Capacidade máx. de congelação

- A função Express Freeze põe o congelador na capacidade máxima de congelação, esta função fica activa até 24 horas e desliga-se automaticamente.
- Se utilizar a capacidade máxima de congelação, a Express Freeze deve ficar ligada por sete horas para que o frescor actue no compartimento de congelação.

## Congelação da quantidade máxima de alimentos

- Para obter uma melhor circulação de ar, coloque todas as gavetas.
- Se forem guardadas grandes quantidades de alimentos, todas as gavetas do congelador devem ser retiradas do aparelho, e os alimentos devem ser colocados diretamente

na prateleira (ou prateleiras) do congelador do respetivo compartimento.

### OBSERVAÇÃO

- Para remover as gavetas, primeiro retire a comida das gavetas e, em seguida, retire as gavetas com cuidado. Caso contrário, pode causar fermentos ou danos às gavetas.
- O formato das gavetas poderá ser diferente; introduza-as na posição correta.

### Definir a temperatura

Define a temperatura do frigorífico ou congelador.

- Prima o botão **Fridge** ou o botão **Freezer** para ajustar a temperatura.
- A temperatura pode ser ajustada.
  - Frigorífico: de 1 °C a 7 °C
  - Congelador: de -15 °C a -23 °C
- A temperatura inicial é definida.
  - Frigorífico: 3 °C – Congelador: -18 °C

A temperatura interior real varia conforme o estado dos alimentos e a temperatura programada apenas indica uma temperatura-alvo e não a temperatura real dentro do equipamento.

### OBSERVAÇÃO

- A definição da temperatura predefinida pode variar consoante o eletrodoméstico.
- Para uma conservação ótima dos alimentos, recomenda-se o aumento ou diminuição de 1 °C ou de um nível em relação à temperatura predefinida de cada compartimento.
- Após ligar o equipamento à tomada, aguarde 2 ou 3 horas antes de armazenar alimentos no equipamento.
- Para fazer gelo em climas normais, as temperaturas do congelador devem ser ajustadas em -18 °C ou menos.

### Alarme de alta temperatura

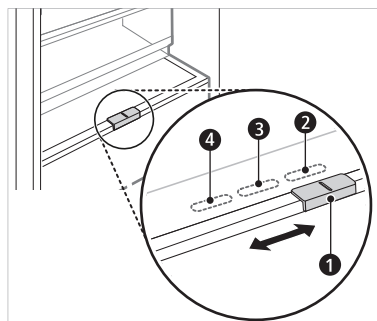
Quando a temperatura do congelador fica demasiado quente devido a uma falha de energia, lâmpadas LED piscam e um alarme toca.

- Carregue no botão **Freezer** para parar.
- Se a temperatura ficar fria o suficiente, a intermitência das luzes e o alarme param automaticamente.
- Esta função ocorre:
  - Quando o equipamento estiver ligado
  - Quando o compartimento congelador fica demasiado quente.

- Quando há uma indisponibilidade de energia de longa duração.
- Quando grandes quantidades de comida são colocadas no compartimento congelador.
- Quando a porta de frigorífico fica aberta por muito tempo ou com demasiada frequência.

### Conversor de Frescor ( \* )

Dado que é um compartimento fresco, a temperatura no conversor de frescor pode ser controlada virando, para qualquer direcção, a alavanca ① na parte anterior do compartimento. Ao armazenar vegetais após colocar carne ou peixe, podem ocorrer fermentos por frio.



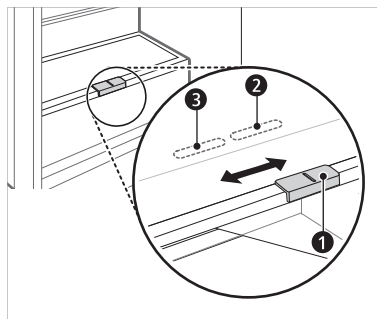
- ② Use para guardar legumes. (Recomendado)
- ③ Use para guardar peixe.
- ④ Use para guardar carne.

### OBSERVAÇÃO

- ( \* ) Este recurso varia dependendo do modelo adquirido.

### Compartimento para verdes ( \* )

A humidade do compartimento para verdes pode ser ajustada ao mover a alavanca ①.



- ② Use para guardar legumes. (Recomendado)
- ③ Use para guardar fruta.

### OBSERVAÇÃO

- ( \* ) Este recurso varia dependendo do modelo adquirido.

## Compartimentos de armazenamento de alimentos

### Armazenamento de alimentos no compartimento do frigorífico

- **Prateleira do frigorífico**
  - É aqui que os alimentos e outros itens refrigerados são armazenados.
  - A altura da prateleira pode ser ajustada inserindo a prateleira noutra ranhura com uma altura diferente.
  - Armazene os alimentos com maior teor de humidade na parte frontal da prateleira.
  - O número de prateleiras varia consoante o modelo.
- **Prateleira para Garrafas (\*)**
  - Nesta unidade pode colocar garrafas altas ou embalagens.
- **Prateleira rebatível (\*)**
  - Nesta unidade os alimentos e outros itens refrigerados podem ser armazenados.
- **Compartimento para verdes (\*)**
  - Nesta unidade, os frutos e vegetais podem ser colocados, para ajudar a manter o frescor. Use o controlador para ajustar a humidade.
  - O aspeto ou os componentes do equipamento podem diferir de modelo para modelo.
- **Conversor de Frescor (\*)**
  - Um compartimento fresco, aqui pode colocar carne, peixe e vegetais. Caso deseje manter o frescor, ajuste o controlador de humidade na parte traseira do compartimento.
  - Se quiser mais espaço, pode usar esta área fresca como gaveta.

- **Tabuleiro para Ovos Móvel**

- Os ovos são colocados aqui.
- Pode mover este tabuleiro e usá-lo na posição desejada, conforme necessário. No entanto, não o use como compartimento para gelo e não coloque na parte superior do frigorífico ou no compartimento dos vegetais.

- **Prateleira da porta do frigorífico**

- É aqui que as pequenas embalagens de alimentos refrigerados, os molhos e as bebidas são armazenados.

- **Tanque recolhedor de água (\*)**

- Aqui que a água fornecida pelo recolhedor ou pela máquina de gelo automática é guardada. Requer abastecimento manual. (Apenas nos modelos não encaçados.)

### Armazenamento de alimentos no compartimento do congelador

- **Tabuleiro de gelo**

- Aqui o gelo é produzido automaticamente e armazenado.
- Se precisar de mais espaço, pode remover o tabuleiro de gelo ou cesto dos cubos.

- **Gaveta de congelador**

- Tem como função o armazenamento a longo prazo de itens congelados.
- Para congelar rapidamente os itens alimentícios, armazene os alimentos no lado esquerdo da gaveta superior. Os produtos alimentícios congelarão mais rapidamente na gaveta.

### OBSERVAÇÃO

- (\*) : Este recurso varia dependendo do modelo adquirido.
- Para obter mais informações sobre outros compartimentos, visite [lg.com](http://lg.com) e transfira os manuais do proprietário.

## Painel de controlo

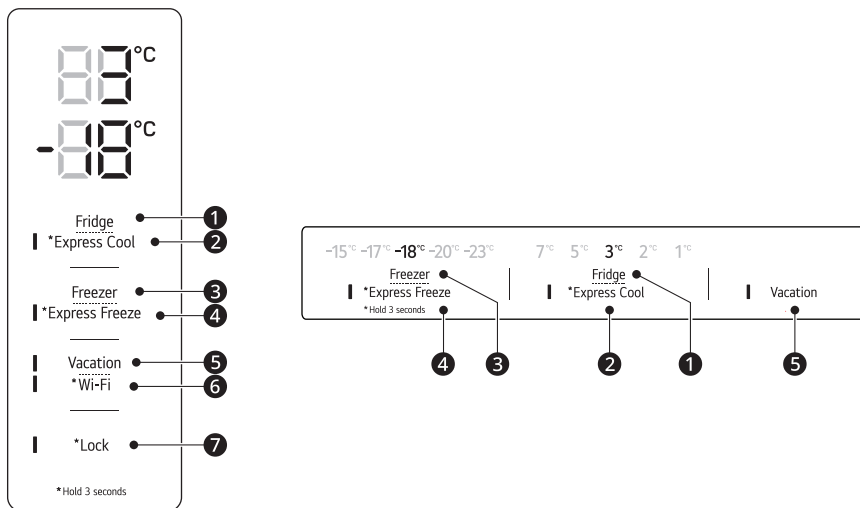
O painel de controlo pode diferir de modelo para modelo.

### Painel de controlo e funções

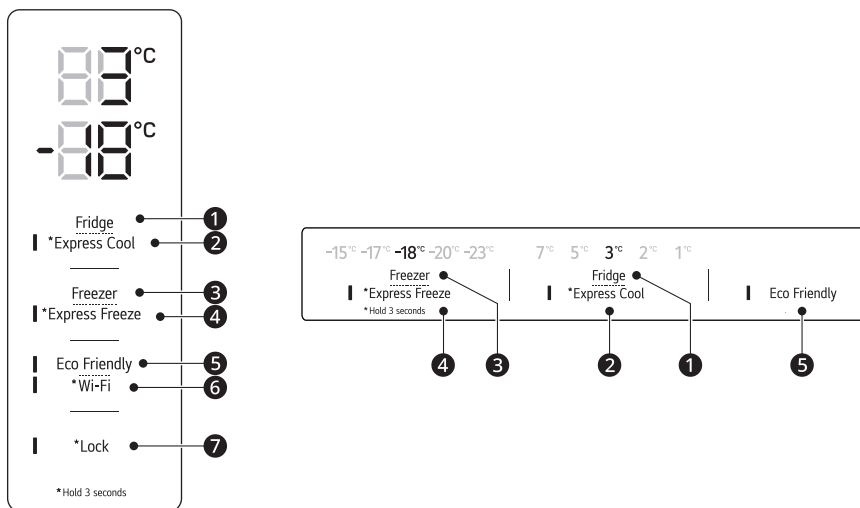
\*1 Este recurso está disponível apenas em alguns modelos.

O painel de controlo pode ser encontrado na porta do frigorífico ou dentro do congelador, dependendo do modelo.

#### Tipo A



#### Tipo B



**1 Fridge**

Pressione o botão repetidamente para selecionar uma temperatura desejada entre 1 °C e 7 °C.

- A temperatura predefinida do frigorífico é de 3 °C.

**2 Express Cool**

Esta função pode arrefecer um variado número de alimentos, tais como vegetais, frutas, etc.

- Esta função é ativada e desativada alternadamente sempre que premir o botão por 3 segundos.

**3 Freezer**

Pressione o botão repetidamente para selecionar uma temperatura desejada entre -15 °C e -23 °C.

- A temperatura predefinida do congelador é de -18 °C.

**4 Express Freeze**

Esta função pode congelar rapidamente uma grande quantidade de gelo ou de alimentos.

- Prima o botão Express Freeze para ativar a função durante 24 horas. A função desliga-se automaticamente após 24 horas.
- Esta função é ativada e desativada alternadamente sempre que premir o botão por 3 segundos.
- Quando este modo é ligado, pode ocorrer baralho e o consumo de energia pode aumentar.

**5 Vacation**

Esta função é útil quando estiver fora de casa durante longos períodos. Quando esta função está ativada, a temperatura do frigorífico é de 7 °C e a temperatura do congelador é de -15 °C. Quando esta função está desativada, a temperatura do frigorífico e do congelador retorna às configurações de temperatura anteriores.

- Esta função é ativada e desativada alternadamente sempre que premir o botão.
- Quando este modo está ligado, à exceção dos botões Lock e Wi-Fi, os outros botões não funcionarão.
- **Eco Friendly** foi renomeado **Vacation**.

**⚠ ADVERTÊNCIA**

- Quando esta função está ligada, tenha cuidado com o armazenamento de alimentos que requerem uma temperatura mais baixa do que a temperatura predefinida.
- Quando voltar para casa, lembre-se de desligar esta função para desbloquear os outros botões e repor as definições de temperatura anteriores do frigorífico.

**6 Wi-Fi\*\*1**

Este botão permite que o aparelho se ligue a uma rede Wi-Fi doméstica. Consulte as **SMART FUNCTIONS** para informações relativas à configuração inicial da aplicação **LG ThinQ**.

**7 Lock\*\*1**

Bloqueia os botões no painel de controlo.

- Para bloquear os botões do painel de controlo, prima continuamente o botão **Lock** durante 3 segundos até a função ser ativada.
- Para desativar a função, prima continuamente o botão **Lock** durante 3 segundos até a função ser desativada.

**OBSERVAÇÃO**

- Para uma conservação ótima dos alimentos, recomenda-se o aumento ou diminuição de 1 °C ou de um nível em relação à temperatura predefinida de cada compartimento.
- A temperatura exibida é a temperatura alvo, e não a temperatura atual no interior do equipamento.
- A temperatura atual no interior do equipamento depende dos seguintes fatores: a temperatura ambiente, a quantidade de alimentos, a frequência com que as portas são abertas, e a localização do equipamento. Defina as temperaturas tendo esses fatores em consideração.
- O painel de controlo será desligado automaticamente para economizar energia.
- Se houver algum contacto de dedo ou pele no painel de controlo durante a limpeza, a função do botão poderá ser acionada.



## Aplicação LG ThinQ

Esta função apenas se encontra disponível nos modelos com Wi-Fi.

A aplicação **LG ThinQ** permite-lhe comunicar com o equipamento utilizando um smartphone.

## Funcionalidades do Equipamento LG ThinQ

Comunique com o aparelho a partir de um smartphone utilizando as funcionalidades inteligentes adequadas.

### Smart Diagnosis

- Se você tiver um problema ao usar o aparelho, esse recurso de Smart Diagnosis o ajudará a diagnosticar o problema.

### Definições

- Permite definir várias opções no aparelho e na aplicação.

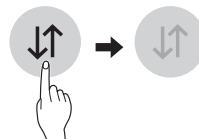
### OBSERVAÇÃO

- Se mudar de router sem fios, fornecedor de serviço de internet ou palavra-passe, elimine o aparelho registado da aplicação **LG ThinQ** e volte a registar.
- A aplicação está sujeita a alterações para fins de melhoramento do aparelho sem aviso prévio.
- As funcionalidades podem variar consoante o modelo.

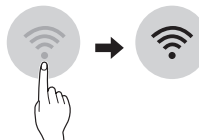
## Antes de usar o aplicação LG ThinQ

- 1 Verifique a distância entre o aparelho e o router sem fios (rede Wi-Fi).
  - Se a distância entre o aparelho e o router sem fios for demasiado grande, a força do sinal fica fraca. Pode demorar muito tempo a registar-se ou a instalação pode falhar.

- 2 Desligue os **Dados móveis** ou **Dados do telemóvel** no seu smartphone.



- 3 Ligue o seu smartphone à rede sem fios.



### OBSERVAÇÃO

- Para verificar a ligação Wi-Fi, certifique-se de que o ícone no painel de controlo está aceso.
- O aparelho apenas suporta redes Wi-Fi a 2,4 GHz. Para verificar a frequência da rede, contacte o seu fornecedor de serviço de Internet ou consulte o manual do router sem fios.
- **LG ThinQ** não é responsável por quaisquer problemas de ligação de rede ou quaisquer avarias ou erros causados pela ligação de rede.
- Se o aparelho tiver dificuldades em ligar à rede Wi-Fi, pode estar demasiado longe do router. Compre um repetidor Wi-Fi (extensor de alcance) para melhorar a força do sinal Wi-Fi.
- A ligação Wi-Fi pode não ligar ou pode ser interrompida devido ao ambiente de rede doméstico.
- A ligação de rede pode não funcionar corretamente dependendo do prestador de serviços de internet.
- O ambiente sem fios envolvente pode fazer com que o serviço de rede sem fios funcione de forma lenta.
- O aparelho não pode ser registado devido a problemas com a transmissão do sinal sem fios. Desligue o aparelho e aguarde um minuto antes de tentar novamente.
- Se a firewall no router sem fios estiver ativada, desative a firewall ou adicione uma exceção.
- O nome da rede sem fios (SSID) deve ser uma combinação de letras e números do idioma Inglês. (Não use caracteres especiais)


- A interface de utilizador (UI) do smartphone pode variar consoante o sistema operativo (OS) e o fabricante.
- Se o protocolo de segurança do router for definido para **WEP**, pode não conseguir configurar a rede. Altere, por favor, para outros protocolos de segurança (**WPA2** é recomendado) e registe o produto de novo.

## Instalação da aplicação LG ThinQ

Procure a aplicação **LG ThinQ** na Google Play Store & Apple App Store num smartphone.

- Siga as instruções para transferir e instalar a aplicação.

## A ligar a Wi-Fi

O botão **Wi-Fi** quando utilizado com a aplicação **LG ThinQ**, permite que o equipamento se ligue a uma rede Wi-Fi. O ícone  mostra o estado da ligação de rede do equipamento, este acende-se quando o equipamento está ligado à rede Wi-Fi.


## Registo inicial do equipamento

- Execute a aplicação **LG ThinQ** e siga as instruções na aplicação para registar o equipamento.

## Fazer um novo registo do equipamento ou registar outro utilizador

- Mantenha premido o botão **Wi-Fi** por 3 segundos, para desligar temporariamente a ligação, depois deste processo, execute a aplicação **LG ThinQ** e siga as instruções na aplicação para registar o equipamento.

## OBSERVAÇÃO

- Para desactivar a função Wi-Fi, mantenha premido o botão **Wi-Fi** por 3 segundos. O ícone do  será desligado.

## Nota de informação sobre software de código aberto

Para obter o código fonte sob GPL, LGPL, MPL, e outras licenças de código aberto que têm a obrigação de divulgar o código fonte, que está contido neste produto, e para aceder a todos os termos de licença referidos, avisos de direitos de autor e outros documentos relevantes, visite <https://opensource.lge.com>.

A LG Electronics também pode fornecer-lhe o código fonte aberto em CD-ROM mediante o pagamento de uma taxa que cobre o custo de realização de tal distribuição (como o custo do suporte, transporte e processamento), a pedido por e-mail para [opensource@lge.com](mailto:opensource@lge.com).

Esta oferta é válida para qualquer pessoa que receba esta informação durante um período de três anos após o nosso último envio deste produto.

## Observações relativamente à limpeza

- Antes de remover uma prateleira ou gaveta do interior do equipamento, remova todos os alimentos armazenados na prateleira ou gaveta de forma a evitar ferimentos ou danos no equipamento.
  - Caso contrário, poderão ocorrer ferimentos devido ao peso dos alimentos armazenados.
- Ao limpar as aberturas exteriores de ventilação do equipamento com um aspirador, desligue o cabo de alimentação da tomada, de forma a evitar descargas de electricidade estática que possam danificar o sistema eletrónico ou causar choques elétricos.
- Remova as prateleiras e as gavetas e lave-as com água, secando-as adequadamente antes de as recolocar.
- Limpe regularmente as juntas da porta com um pano húmido macio.
- Deve limpar derrames e manchas na prateleira da porta, uma vez que podem comprometer a capacidade de armazenamento da prateleira e até danificá-la.
- Depois da limpeza, verifique se o cabo de alimentação se encontra danificado, desgastado ou ligado incorretamente.
- Mantenha as aberturas exteriores de ventilação do equipamento limpas.
  - Aberturas de ventilação obstruídas podem provocar um incêndio ou danos no equipamento.
- Ao limpar o interior ou exterior do aparelho, não o limpe com uma escova abrasiva, pasta dos dentes ou materiais inflamáveis. Não use agentes de limpeza com substâncias inflamáveis.
  - Isto pode causar descoloração ou danos no equipamento.
  - Substâncias inflamáveis: álcool (etanol, metanol, álcool isopropílico, álcool isobutílico, etc.), diluente, lixívia, benzeno, líquido inflamável, abrasivo, etc.
- Para o exterior do equipamento, utilize uma esponja limpa ou um pano macio com um detergente suave em água quente. Não utilize produtos de limpeza abrasivos ou agressivos. Seque minuciosamente com um pano macio.
- Não lave as prateleiras ou recipientes na máquina de lavar loiça.
  - As peças podem ficar deformadas devido ao calor.
- Limpe regularmente superfícies que possam entrar em contacto com alimentos e sistemas de drenagem acessíveis.
- Se o aparelho estiver equipado com uma lâmpada LED, não remova a cobertura da lâmpada e a lâmpada LED numa tentativa de efetuar reparações ou manutenção. Entre em contacto com um centro de apoio ao cliente da LG Electronics.

## Eliminação do seu aparelho usado



- Este símbolo de um caixote do lixo com rodas e linhas cruzadas sobrepostas indica que os resíduos de produtos elétricos e eletrónicos (WEEE) devem ser eliminados separadamente do lixo doméstico.
- Os produtos elétricos usados podem conter substâncias perigosas, pelo que, a eliminação correta do seu aparelho usado pode contribuir para evitar potenciais danos para o ambiente e saúde humana. O seu aparelho usado pode conter peças reutilizáveis que podem ser usadas para reparar outros aparelhos e materiais úteis que podem ser reciclados para preservar os recursos limitados.
- Pode levar o seu aparelho à loja onde o adquiriu ou contactar a sua entidade local de recolha e tratamento de resíduos para obter mais informações sobre o ponto de recolha WEEE autorizado mais próximo. Para obter informações mais atualizadas relativas ao seu país, visite [www.lg.com/global/recycling](http://www.lg.com/global/recycling)

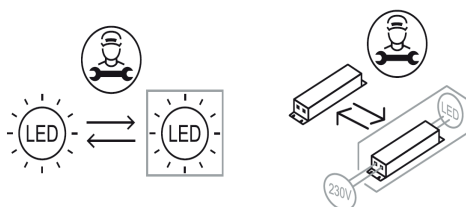
## Serviço de apoio ao cliente

Contacte um centro de informação do cliente da LG Electronics.

- Para encontrar informações sobre o centro de serviço técnico autorizado da LG, visite o nosso website em [www.lg.com](http://www.lg.com).
- Apenas um técnico de assistência autorizado pelo centro de atendimento da LG pode desmontar, reparar ou alterar o equipamento.
- O período mínimo de garantia deste aparelho de refrigeração são 24 meses.
- Para adquirir peças sobressalentes, contacte um centro de informação do cliente da LG Electronics ou o nosso website em [www.lg.com](http://www.lg.com).
- As peças sobressalentes referidas no Regulamento UE 2019/2019 estão disponíveis por 7 anos (apenas as juntas de porta estão disponíveis por 10 anos).

## OBSERVAÇÃO

- Para mais informações sobre a eficiência energética do equipamento, visite <https://ec.europa.eu> e pesquise utilizando o nome do modelo (válido a partir de 1 de Março de 2021).
- O regulamento UE 2019/2019, válido a partir de 1 de março de 2021, está relacionado com a classe de eficiência energética pelo regulamento UE 2019/2016.
- Leia o código QR na etiqueta energética fornecida com o aparelho, que disponibiliza uma ligação web para a informação relacionada com o desempenho do aparelho na base de dados EPREL da UE. Guarde a etiqueta energética para referência e todos os outros documentos fornecidos com o equipamento (válido a partir de 1 de Março de 2021).
- O nome do modelo pode ser encontrado na etiqueta de classificação do equipamento.
- Este produto contém uma fonte de luz de classe G de eficiência energética.





MANUALUL UTILIZATORULUI

# FRIGIDER ȘI CONGELĂTOR

**Citiți cu atenție acest manual al utilizatorului înainte de a utiliza aparatul și păstrați-l la îndemână pentru a-l consulta în orice moment.**

[www.lg.com](http://www.lg.com)

Pentru informații mai detaliate, consultați manualul de utilizare de pe site-ul LG.  
Copyright © 2019-2023 LG Electronics Inc. Toate drepturile rezervate

# CUPRINS

Acest manual poate conține imagini sau detalii care diferă față de modelul achiziționat.

Acest manual este supus revizuirii de către producător.

<b>INSTRUCȚIUNI DE SIGURANȚĂ .....</b>	<b>3</b>
INSTRUCȚIUNI DE SIGURANȚĂ IMPORTANTE .....	3
<b>INSTALARE .....</b>	<b>10</b>
Dimensiuni și distanța față de alte obiecte .....	10
Temperatură ambientală .....	10
<b>OPERARE .....</b>	<b>11</b>
Note pentru operare .....	11
Sertar pentru păstrarea cărnii, a peștelui și legumelor ( * ) .....	12
Sertar pentru legume proaspete ( * ) .....	12
Panou de control .....	14
<b>FUNCȚII INTELIGENTE .....</b>	<b>16</b>
Aplicația LG ThinQ .....	16
<b>ÎNTREȚINEREA .....</b>	<b>18</b>
Note pentru curățare .....	18
Eliminarea aparatului vechi .....	18
<b>DEPANARE .....</b>	<b>19</b>

## Informații Suplimentare Despre Manual

Această este versiunea scurtă a manualului utilizatorului.  
Pentru informații suplimentare vizitați site-ul web al  
firmei LG <http://www.lg.com>



## Depanare



## INSTRUCȚIUNI DE SIGURANȚĂ

RO

Următoarele îndrumări de siguranță au scopul de a preveni riscurile neprevăzute sau daunele provenite din operarea nesigură sau incorectă a produsului.

Îndrumările sunt separate în „**AVERTISMENT**” și „**ATENȚIE**”, după cum se descrie mai jos.

 Acest simbol este afișat pentru a indica problemele și operațiunile care pot provoca riscuri. Citiți cu atenție partea care conține acest simbol și urmați instrucțiunile pentru a evita riscul.

### **AVERTISMENT**

Acesta indică faptul că nerespectarea instrucțiunilor poate provoca vătămarea gravă sau decesul.

### **ATENȚIE**

Acesta indică faptul că nerespectarea instrucțiunilor poate provoca vătămarea ușoară sau deteriorarea produsului.

## INSTRUCȚIUNI DE SIGURANȚĂ IMPORTANTE

### **AVERTISMENT**

Pentru a reduce riscul de explozie, incendiu, deces, electrocutare, vătămare sau opărire a persoanelor la utilizarea acestui produs, luați măsuri elementare de precauție, inclusiv următoarele:

#### **Copiii din gospodărie**

- Acest aparat nu este destinat utilizării de către persoane (inclusiv copii) cu capacități fizice, senzoriale sau mentale reduse, sau persoane lipsite de experiență și cunoștințe, cu excepția cazului în care acestea sunt supravegheate sau instruite cu privire la utilizarea aparatului de către persoana responsabilă cu siguranța lor. Copiii trebuie supravegheați, pentru a vă asigura că nu se joacă cu aparatul.
- În cazul în care aparatul este dotat cu un sistem de blocare (doar unele modele), nu lăsați cheia la îndemâna copiilor.

## **Pentru utilizarea în Europa:**

- Acest aparat poate fi utilizat de către copiii cu vârsta mai mare de 8 ani și de către persoanele cu capacități fizice, senzoriale sau mentale reduse, sau fără experiență și cunoștințe, în cazul în care sunt supravegheate și au fost instruite cu privire la utilizarea aparatului în condiții de siguranță și dacă înțeleg riscurile implicate. Copiii nu trebuie să se joace cu aparatul. Curățarea și întreținerea realizată de utilizator nu vor fi făcute de către copii nesupravegheați.

- Copiilor cu vârsta cuprinsă între 3 și 8 ani le este permis să încarce și să descarce aparatele frigorifice.

## **Instalare**

- Aparatul trebuie transportat doar de către două sau mai multe persoane și în timp ce se ține bine de aparat.
- Asigurați-vă că priza este împământată în mod corespunzător și că pinul de împământare de la cablul de alimentare nu este deteriorat sau scos din fișa de rețea. Pentru mai multe detalii cu privire la împământare, adresați-vă unui centru de informații pentru clienți LG Electronics.
- Acest aparat este dotat cu un cablu de alimentare care are conductor pentru împământarea echipamentelor și fișă de rețea cu împământare. Fișa de rețea trebuie conectată într-o priză corespunzătoare, care este instalată și împământată corespunzător, în conformitate cu toate codurile și regulamentele locale.
- În cazul în care cablul de alimentare este deteriorat sau dacă priza este slăbită, nu utilizați cablul de alimentare și contactați un centru de service autorizat.
- Nu conectați aparatul la o priză multiplă fără cablu (montat).
- Nu modificați și nu prelungiți cablul de alimentare.
- Aparatul trebuie să fie conectat la o sursă de alimentare cu siguranțe separate.
- Nu folosiți o priză multiplă care nu este împământată în mod corect (portabilă). În cazul folosirii unei prize multiple împământate corect (portabilă), folosiți priza multiplă cu o capacitate electrică egală sau mai mare decât clasa electrică și folosiți priza multiplă doar pentru acest aparat.
- Instalați aparatul într-un loc unde este ușor să deconectați fișa de rețea de la aparat.
- Aveți grijă ca fișa de rețea să nu fie orientată în sus sau aparatul să nu fie rezemat de fișa de rețea.
- Instalați aparatul pe o suprafață solidă și dreaptă.
- Nu instalați aparatul într-un loc umed și cu praf. Nu instalați și nu depozitați aparatul în aer liber sau într-o zonă expusă la condițiile



atmosferice, cum ar fi lumina directă a soarelui, vânt, precipitații sau temperaturi sub punctul de îngheț.

- Nu amplasați aparatul în lumina directă a soarelui și nu îl expuneți la căldura degajată de aparate pentru încălzire, precum sobe sau radiatoare.
- Aveți grijă să nu expuneți partea din spate a aparatului în timpul instalării.
- Aveți grijă să nu lăsați ușa aparatului să cadă în timpul montării sau demontării.
- Aveți grijă să nu înțepați, să nu striviți și să nu deteriorați în vreun alt fel cablul de alimentare atunci când montați sau demontați ușa aparatului.
- Nu conectați un adaptor pentru ștecăr sau alte accesorii la ștecărul de alimentare.

## Operare

- Nu utilizați aparatul în alt scop (depozitarea materialelor de uz medical sau experimentale ori transport) decât depozitarea alimentelor din gospodărie.
- Deconectați fișa de rețea în timpul furtunilor puternice sau fulgerelor ori atunci când aparatul nu este utilizat o perioadă lungă de timp.
- Nu atingeți fișa de rețea sau butoanele aparatului cu mâinile ude.
- Nu îndoiți cablul de alimentare în mod excesiv sau nu așezați un obiect greu peste acesta.
- Dacă pătrunde apă la componentele electrice ale aparatului, deconectați fișa de rețea și contactați un centru de informații pentru clienți LG Electronics.
- Nu puneți mâinile sau obiecte metalice în interiorul zonei care emite aerul rece, la capac sau pe grătarul care eliberează căldură, din partea din spate.
- Nu forțați și nu loviți capacul din spate al aparatului.
- Nu așezați animale, precum animalele de companie, în interiorul aparatului.
- Aveți grijă la copiii din apropiere atunci când deschideți sau închideți ușa aparatului. Ușa poate lovi copilul și poate provoca rănirea acestuia. Nu permiteți niciunei persoane să se balanseze pe uși, deoarece această acțiune poate provoca răsturnarea unității și, ca urmare, leziuni grave.
- Evitați riscul ca un copil să rămână închis în interiorul aparatului. Un copil care rămâne închis în interiorul aparatului se poate sufoca.

- Nu amplasați pe dispozitiv obiecte grele sau fragile, recipiente pline cu lichid, carburanți, substanțe inflamabile (cum ar fi lumânări, lămpi, etc.) sau dispozitive de încălzire (cum ar fi plite, radiatoare, etc.).
- Dacă există o scurgere de gaz (izobutan, propan, gaz natural etc.), nu atingeți aparatul sau fișa de rețea și ventilați imediat zona. Acest aparat folosește un agent frigorific (izobutan, R600a). Deși utilizează o cantitate mică de gaz, este, în continuare, un gaz combustibil. Scurgerea de gaz în timpul transportării, instalării sau funcționării aparatului poate provoca incendii, explozii sau răniri dacă se produc scântei.
- Nu utilizați și nu depozitați substanțe inflamabile sau combustibile (eter, benzen, alcool, substanțe chimice, GPL, pulverizare combustibilă, insecticide, odorizant de aer, cosmetice etc.) în apropierea aparatului.
- Deconectați imediat ștecărul și contactați un centru de informații pentru clienți LG Electronics dacă detectați un zgomot ciudat, miros sau fum emanat de aparat.
- Umpleți numai cu apă potabilă dispozitivul de producere a gheții sau rezervorul dozatorului de apă.
- Nu deteriorați circuitul frigorific.
- Nu puneți dispozitive electronice (cum ar fi aparate de încălzire și telefoane mobile) în interiorul aparatului.

## Întreținerea

- Deconectați cablul de alimentare înainte de a curăța aparatul sau de a înlocui becul din interior (dacă este prevăzut).
- Conectați bine ștecărul în priză după ce umezeala și praful au fost îndepărtate complet.
- Nu deconectați niciodată aparatul trăgând de cablul de alimentare. Apucați întotdeauna ferm de ștecăr și trageți-l în linie dreaptă din priză.
- Nu pulverizați apă sau substanțe inflamabile (pastă de dinți, alcool, diluant, benzen, lichid inflamabil, abraziv, etc.) pe suprafața interioară sau exterioară a aparatului pentru a-l curăța.
- Nu curățați aparatul cu perii, lavete sau bureți cu suprafață aspră ori fabricați din material metalic.
- Aparatul poate fi demontat, reparat sau modificat doar de personal calificat pentru reparații de la centrul de service LG Electronics. Contactați un centru de informații pentru clienți LG Electronics dacă muțați și instalați aparatul în alt loc.
- Nu utilizați un uscător de păr pentru a usca interiorul aparatului și nu introduceți o lumânare în interior pentru a elimina mirosurile.

- Nu utilizați dispozitive mecanice sau alte mijloace pentru a accelera procesul de dezghețare.

### **Eliminare**

- La eliminarea aparatului, scoateți garnitura de la ușă, lăsați rafturile și sertarele la loc și nu lăsați copiii în preajma aparatului.
- Aruncați toate materialele de ambalare (precum pungi de plastic sau polistiren) departe de copii. Materialele de ambalare pot provoca sufocarea.

### **Siguranța tehnică**

- Păstrați neobstrucționate deschiderile pentru aerisire din carcasa aparatului sau din structura incorporată.
- Nu folosiți aparate electrice în interiorul frigiderului.
- Agentul frigorific și gazele insuflate izolatoare utilizate în aparat necesită proceduri speciale de eliminare. Înainte de aruncarea acestora, consultați-vă cu reprezentantul de service sau cu o persoană calificată în mod similar.
- Agentul frigorific care se scurge din conducte se poate aprinde sau poate provoca o explozie.
- Cantitatea de agent frigorific din aparatul dvs. special este indicată pe plăcuța de identificare din interiorul aparatului.
- Nu porniți niciodată un aparat care prezintă semne de deteriorare. Dacă aveți dubii, consultați distribuitorul dvs.
- Acest aparat este destinat exclusiv pentru utilizarea în gospodărie și în aplicații similare. Nu trebuie utilizat în scop comercial, de catering sau în structuri mobile precum rulote sau ambarcațiuni.
- Nu depozitați substanțe explozive, cum ar fi cilindri cu aerosoli cu un propulsor inflamabil în acest aparat.
- Acest frigider nu este destinat utilizării ca un aparat încorporat.

## Risc de incendiu și de materiale inflamabile



Acest simbol vă avertizează asupra materialelor inflamabile care se pot aprinde și care pot provoca incendii dacă nu aveți grijă.

- Acest aparat conține o cantitate mică de agent frigorific izobutan (R600a), care este și inflamabil. La transportul și instalarea aparatului, trebuie să procedați cu grijă pentru a vă asigura că nicio parte a circuitului frigorific nu va fi deteriorată.
- Dacă se detectează o scurgere, evitați orice foc deschis sau surse potențiale de aprindere și aerisiți timp de câteva minute încăperea în care stă aparatul. Pentru a evita crearea unui amestec aer-gaz inflamabil în cazul în care are loc o scurgere în circuitul de răcire, dimensiunea camerei în care este utilizat aparatul trebuie să corespundă cantității de agent frigorific utilizat. Camera trebuie să aibă dimensiunea de 1 m<sup>2</sup> pentru fiecare 8 g de agent frigorific R600a din interiorul aparatului.
- Atunci când poziționați aparatul, asigurați-vă că cablul de alimentare nu este blocat sau deteriorat.
- Nu montați prize portabile multiple sau aparate portabile de alimentare în partea din spate a aparatului.

## **⚠ ATENȚIE**

**Pentru a reduce riscul de vătămare ușoară a persoanelor, riscul de defectiune sau de deteriorare a produsului sau a altor bunuri la utilizarea acestui produs, luați măsuri elementare de precauție, inclusiv cum ar fi:**

### **Instalare**

- Nu înclinați aparatul pentru a-l trage sau a-l împinge în timpul transportului.
- Aveți grijă să nu vă prindeți mâinile sau picioarele în timp ce mutați aparatul.

### **Operare**

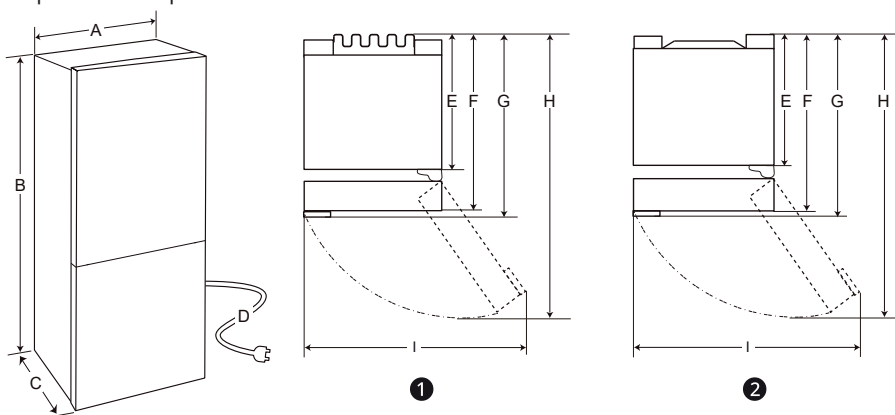
- Nu atingeți produsele alimentare înghețate sau părțile metalice din compartimentul congelatorului cu mâinile ude sau umede. Acest lucru poate provoca degerături.
- Nu așezați recipiente, sticle sau vase de sticlă (în special cu băuturi carbogazoase) în compartimentul congelatorului, pe rafturi sau în tava de gheață care vor fi expuse la temperaturi mai mici decât cea de îngheț.
- Sticla securizată de pe partea frontală a ușii aparatului sau de pe rafturi se poate deteriora din cauza impacturilor. În cazul spargerii, nu o atingeți.
- Nu vă agățați de ușile aparatului, de camera de depozitare sau de raft și nu vă urcați pe acestea.
- Nu puneți un număr excesiv de sticle de apă sau recipiente pentru gustări în coșurile de pe ușă.
- Nu lăsați animalele să roadă cablul de alimentare sau furtunul de apă.
- Nu deschideți și nu închideți ușa aparatului cu forță excesivă.
- În cazul în care balamaua ușii produsului este deteriorată sau funcționează necorespunzător, nu o mai utilizați și contactați un centru de service LG Electronics.
- Nu curățați capacele sau rafturile din sticlă cu apă caldă atunci când sunt reci.
- Nu consumați niciodată alimente congelate imediat după ce au fost scoase din congelator.
- Aveți grijă să nu vă prindeți mâinile sau picioarele în timp ce deschideți sau închideți aparatul.

### **Întreținerea**

- Nu introduceți rafturile cu susul în jos. Acestea pot să cadă.
- Pentru a elimina gheața din interiorul aparatului, contactați un centru de informații pentru clienți LG Electronics.

## Dimensiuni și distanța față de alte obiecte

O distanță prea mică față de obiectele alăturate poate cauza scăderea capacității de înghețare și creșterea costurilor de electricitate. Lăsați un spațiu de cel puțin 50 mm față de orice perete alăturat în timpul instalării aparatului.



	1		2	
Dimensiune [mm]				
	Mâner de buzunar	Mâner de bară	Mâner de buzunar	Mâner de bară
A	595	595	595	595
B	1 860 / 2 030	1 860 / 2 030	1 860 / 2 030	1 860 / 2 030
C	682	718	675	712
D	2 100	2 100	2 100	2 100
E	616	616	610	610
F	682	682	675	675
G	-	718	-	712
H	1 230	1 237	1 225	1 232
I	995	995	995	995

### NOTĂ

- Măsurătorile din tabelul de mai sus sunt aproximative.

## Temperatură ambientală

- Aparatul este proiectat să funcționeze într-un interval limitat de temperaturi ambientale, în funcție de zona de climă.
- Temperatura internă pot fi afectate de locația aparatului, temperatura ambientală, frecvența deschiderii ușii și așa mai departe.
- Clasa de climă se găsește pe eticheta de rating.

Clasa de climă	Intervalul de temperatură ambientală în °C
SN (Temperat Extinsă)	+10 - +32
N (Temperată)	+16 - +32
ST (Subtropicală)	+16 - +38
T (Tropicală)	+16 - +43 / +10 - +43*

\*Australia, India, Kenia

### NOTĂ

Aparatele clasificate între SN și T trebuie folosite la o temperatură ambientală între 10°C și 43°C.

## Note pentru operare

- Utilizatorii trebuie să rețină că se poate forma gheață dacă ușa nu este închisă complet, dacă umiditatea este mare pe timp de vară sau dacă ușa de la congelator este deschisă frecvent.
- Asigurați-vă că este suficient spațiu între alimentele depozitate pe raft sau în coșul de pe ușă pentru a permite închiderea completă a ușii.
- Deschiderea ușii pentru perioade lungi de timp poate cauza o creștere semnificativă a temperaturii în compartimentele aparatului.
- Dacă aparatul frigorific este lăsat gol timp îndelungat, opriți-l, dezghețați-l, curățați-l, uscați-l și lăsați ușa deschisă pentru a împiedica formarea mușgaiului în interiorul aparatului.

## Sugestie pentru economisirea energiei

- Asigurați-vă că există suficient spațiu între alimente. Astfel, aerul rece poate circula în mod uniform, ceea ce va reduce consumul de curent electric.
- Depozitați alimentele fierbinți numai după ce s-au răcit; astfel, nu se va forma condens sau gheață.
- La depozitarea alimentelor în congelator, setați temperatura congelatorului în așa fel încât să fie mai mică decât temperatura indicată pe alimente.
- Nu puneți alimente în apropierea senzorului de temperatură al frigiderului. Păstrați o distanță de cel puțin 3 cm față de senzor.
- Rețineți că în specificațiile tehnice ale aparatului există un interval permis de creștere a temperaturii după decongelare. Dacă doriți să reduceți la minimum impactul pe care acest lucru l-ar putea avea asupra depozitării alimentelor din cauza unei creșteri a temperaturii, sigilați sau înfășurați alimentele depozitate în mai multe straturi.
- Sistemul de decongelare automată din aparat nu permite acumularea de gheață în compartiment în condiții normale de funcționare.
- Pentru cel mai eficient consum de energie, păstrați toate piesele interioare (de ex. coșurile cu montaj pe ușă, sertarele și rafturile) în locația lor originală.
- Nu setați temperatura aparatului la o valoare mai mică decât este necesar.

## Depozitarea alimentelor în mod eficient

- Depozitați alimentele congelate sau alimentele refrigerate în interiorul recipientelor etanșate.
- Verificați data de expirare și eticheta (instrucțiunile de depozitare) înainte de a depozita alimente în interiorul aparatului.
- Nu depozitați alimente pentru o perioadă lungă (mai mult de 4 săptămâni) în cazul în care acestea se strică repede la temperatura scăzută.
- Puneți alimentele refrigerate sau alimentele congelate în frigider sau în congelator imediat după cumpărare. Evitați recongelarea alimentelor care s-au dezghețat complet. Alimentele care sunt recongelate după ce s-au dezghețat complet își pierd savoarea și valoarea nutritivă.
- Păstrați carnea macră și peștele în recipiente adecvate în frigider, astfel încât să nu intre în contact cu alte produse alimentare sau să picure pe acestea.
- Nu înfășurați și nu depozitați legumele în hârtie de ziar. Hârtia de ziar sau alte substanțe străine pot murdări și contamina alimentele.
- Nu umpleți excesiv aparatul. Aerul rece nu poate circula în mod corespunzător atunci când aparatul este supraîncărcat.
- Dacă setați o temperatură prea scăzută pentru alimente, acestea ar putea îngheța. Nu setați o temperatură mai mică decât temperatura necesară pentru depozitarea corespunzătoare a alimentelor.
- Pentru mai mult spațiu, puteți scoate suportul pentru sticle, tava pentru ouă, tava de gheață și sertarul pentru păstrarea cărnii, a peștelui și legumelor.
- Alimentele pot îngheța sau se pot strica dacă sunt depozitate la o temperatură necorespunzătoare. Setați temperatura corectă a frigiderului pentru a putea depozita alimente.

## Capacitate maximă de congelare

- Funcția Express Freeze va seta congelatorul la capacitatea maximă de congelare. Aceasta durează în general până la 24 de ore și se oprește automat.
- Dacă se utilizează capacitatea maximă de congelare, funcția Express Freeze trebuie activată cu până la șapte ore înainte ca produsele proaspete să fie introduse în compartimentul congelatorului.

## Înghețarea cantității maxime de alimente

- Pentru a obține o mai bună circulație a aerului, introduceți toate sertarele.

- Dacă urmează să depozitați cantități mari de alimente, toate sertarele congelatorului trebuie scoase din aparat, iar alimentele trebuie depozitate direct pe raftul (sau rafturile) congelatorului din compartimentul acestuia.

### NOTĂ

- Pentru a scoate sertarele, mai întâi îndepărtați mâncarea din sertare și apoi scoateți cu atenție sertarele. În caz contrar puteți provoca vătămări corporale sau deteriorarea sertarelor.
- Forma fiecărui sertar poate fi diferită, introduceți-l în poziția corectă.

### Setarea temperaturii

Acesta setează temperatura frigiderului sau a congelatorului.

- Apăsăți butonul **Fridge** sau **Freezer** pentru a regla temperatura.
- Temperatura poate fi reglată.
  - Frigider: între 1 °C și 7 °C
  - Congelator: între -15 °C și -23 °C
- Este setată temperatura inițială.
  - Frigider: 3°C
  - Congelator: -18 °C

Temperatura interioară efectivă depinde de starea alimentelor, având în vedere că temperatura de setare indicată este o temperatură țintă, nu temperatura efectivă din aparat.

### NOTĂ

- Setarea temperaturii implicite poate fi diferită în funcție de aparat.
- Pentru păstrarea optimă a alimentelor, se recomandă creșterea sau scăderea cu 1°C sau un nivel față de temperatura implicită pentru fiecare compartiment.
- După ce conectați aparatul la priză, așteptați 2 sau 3 ore înainte de a pune alimentele în aparat
- Pentru a prepara gheață în condiții normale de climă, temperatura congelatorului trebuie să fie setată la -18 °C sau mai puțin.

### Alarmă de temperatură înaltă

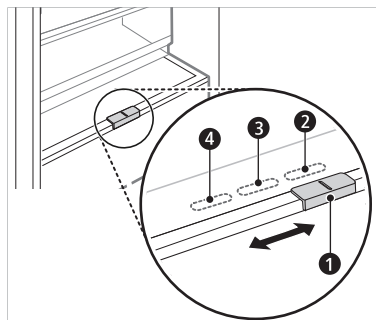
Atunci când temperatura congelatorului este prea mare din cauza unei întreruperi a alimentării cu energie, lampa cu LED indicând temperatura congelatorului clipește și se activează o alarmă sonoră.

- Apăsăți butonul **Freezer** pentru a opri.
- Dacă temperatura este suficient de rece, clipirea intermitentă și alarma se vor opri automat.
- Această funcție este activă:
  - Când frigiderul este pornit.
  - Când compartimentul congelator se încălzește prea tare.

- Atunci când există o întrerupere a alimentării care durează o perioadă lungă de timp
- Atunci când cantități mari de alimente calde sunt așezate în compartimentul congelator
- Atunci când ușa congelatorului este lăsată deschisă prea mult sau prea frecvent.

### Sertar pentru păstrarea cărnii, a peștelui și legumelor ( \* )

Ca și compartiment de răcire, temperatura în Fresh Converter poate fi controlată prin glisarea manetei ①, unde este amplasată în fața compartimentului, în orice direcție. Când păstrați legume după ce ați setat Carne sau Pește, se poate produce deteriorarea prin răcire.



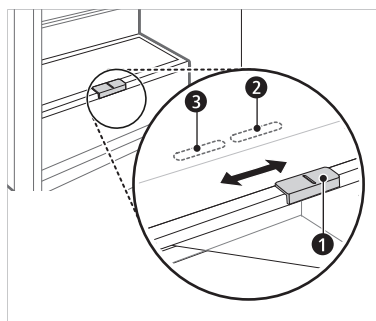
- ② Pentru depozitarea legumelor. (Recomandat)
- ③ Pentru depozitarea peștelui.
- ④ Pentru depozitarea cărnii.

### NOTĂ

- ( \* ) această caracteristică variază în funcție de modelul achiziționat.

### Sertar pentru legume proaspete ( \* )

În compartimentul de legume se poate regla umiditatea prin mișcarea butonului ①.





- ② Pentru depozitarea legumelor.  
(Recomandat)
- ③ Pentru depozitarea fructelor.

### NOTĂ

- ( \* ) această caracteristică variază în funcție de modelul achiziționat.

## Compartimentele pentru depozitarea alimentelor

### Depozitarea alimentelor în compartimentul frigiderului

#### • Raftul frigiderului

- Acesta este locul în care sunt depozitate alimentele refrigerate și alte elemente.
- Înălțimea raftului poate fi reglată prin introducerea raftului pe altă șină, la o înălțime diferită.
- Depozitați alimentele cu un conținut de umiditate mai mare în partea din față a raftului.
- Numărul real de rafturi va diferi de la model la model.

#### • Raft pentru sticle ( \* )

- Aici se depozitează sticlele sau recipientele înalte.

#### • Raft pliant ( \* )

- Acesta este locul în care sunt depozitate alimentele refrigerate și elementele înalte.

#### • Sertar pentru legume proaspete ( \* )

- Aici se depozitează fructele și legumele pentru a le menține proapețimea prin reglarea controlerului de umiditate.
- Aspectul sau componentele aparatului pot să difere în funcție de model.

#### • Sertar pentru păstrarea cărnii, a peștelui și legumelor ( \* )

- În acest compartiment de răcire se depozitează carnea, peștele și legumele. Ajutați la menținerea proapețimii prin reglarea controlerului de umiditate situat în partea din spate a compartimentului pentru frigider.
- Pentru mai mult spațiu, puteți utiliza zona de răcire fără sertarul compartimentului de răcire.

#### • Tavă mobilă pentru ouă

- Aici se depozitează ouăle.
- Puteți să mutați tava și să o utilizați în poziția dorită, după cum este necesar. Cu toate acestea, nu o utilizați ca recipient de gheață și nu o așezați pe raftul de pe partea de sus a frigiderului sau a sertarului de legume.

#### • Coșul de pe ușa frigiderului

- Acesta este locul în care sunt depozitate pachete mici de alimente refrigerate, băuturi și recipiente cu sosuri.

#### • Rezervor de dozare a apei ( \* )

- Aici este depozitată apa pentru alimentarea dozatorului sau a aparatului de gheață automat. Este necesară umplerea manuală. (Numai modele neracordate la rețeaua de apă)

## Depozitarea alimentelor în compartimentul congelatorului

#### • Tavă de gheață

- Acesta este locul în care gheața este produsă și depozitată.
- Pentru mai mult spațiu, puteți scoate tava de gheață sau găleata pentru cuburile de gheață.

#### • Sertarul congelator

- Acesta este pentru depozitarea pe termen lung a elementelor congelate.
- Pentru a congela rapid alimentele, depozitați-le în partea stângă a sertarului de sus. Alimentele se vor congela cel mai rapid în acest sertar.

### NOTĂ

- ( \* ) : această caracteristică variază în funcție de modelul achiziționat.
- Pentru mai multe informații despre alte compartimente, vizitați pagina lg.com și descărcați manualele de utilizare.

## Panou de control

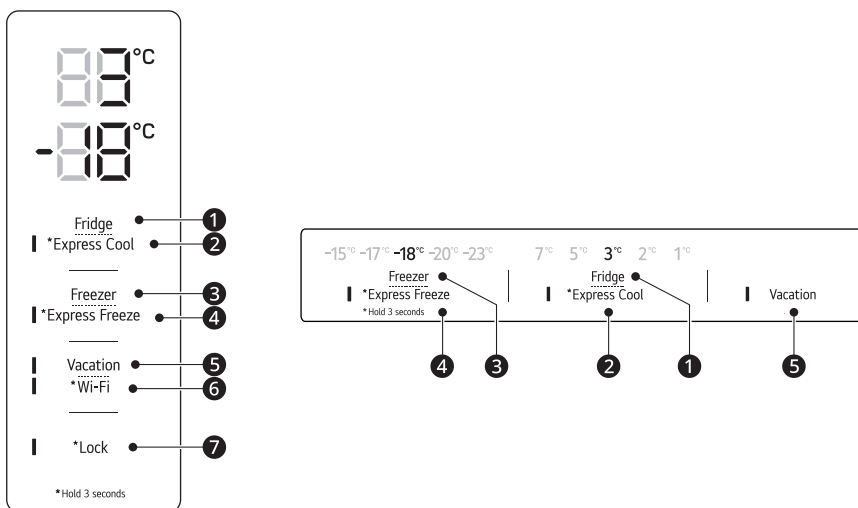
Panoul de control efectiv poate diferi de la model la model.

### Panou de control și funcții

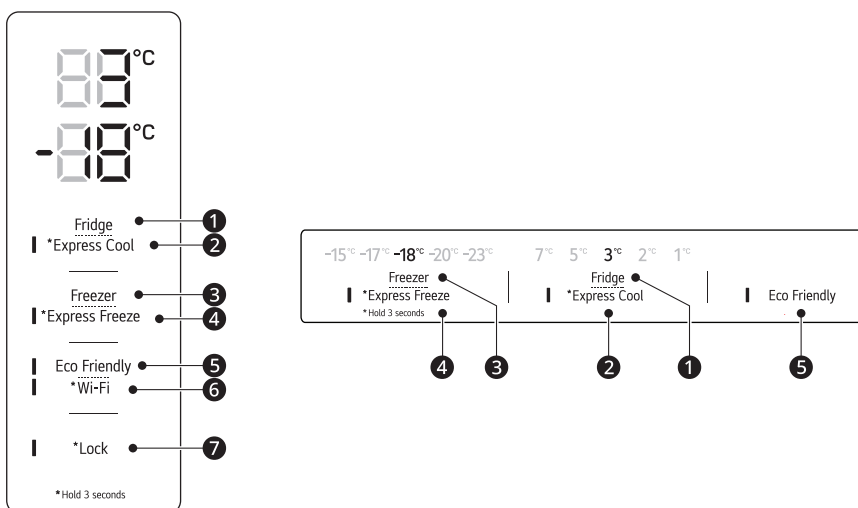
\*1 Această caracteristică este disponibilă numai la anumite modele.

Panoul de control poate fi găsit ori pe ușa frigiderului, ori în interiorul frigiderului, în funcție de model.

#### Tip A



#### Tip B



**1 Fridge**

Apăsați în mod repetat acest buton pentru a selecta o temperatură dorită între 1 °C și 7 °C.

- Temperatura normală a frigiderului este de 3 °C.

**2 Express Cool**

Această funcție poate răci rapid o cantitate mare de alimente, cum ar fi legume, fructe etc.

- Această funcție este activată și dezactivată pe rând, ori de câte ori apăsați butonul timp de 3 secunde.

**3 Freezer**

Apăsați în mod repetat acest buton pentru a selecta o temperatură dorită între -15 °C și -23 °C.

- Temperatura normală a congelatorului este de -18 °C.

**4 Express Freeze**

Această funcție poate îngheța rapid o cantitate mare de gheață sau alimente congelate.

- Apăsați butonul Express Freeze pentru activarea funcției pentru 24 de ore. Funcția se va opri automat după 24 de ore.
- Această funcție este activată și dezactivată pe rând, ori de câte ori apăsați butonul timp de 3 secunde.
- Atunci când acest mod este pornit, poate apărea un zgomot, iar consumul de energie poate crește.

**5 Vacation**

Această funcție este utilă atunci când sunteți plecați în vacanță. Când această funcție este pornită, temperatura frigiderului este de 7 °C, iar temperatura congelatorului este de -15 °C. Când această funcție este oprită, temperatura frigiderului și a congelatorului revin la setările anterioare de temperatură.

- Această funcție este activată și dezactivată pe rând, ori de câte ori apăsați butonul.
- Atunci când acest mod este pornit, celelalte butoane nu vor funcționa, cu excepția butoanelor **Lock** și **Wi-Fi**.
- **Eco Friendly** a fost redenumit **Vacation**.

**⚠ ATENȚIE**

- Când această funcție este pornită, aveți grijă la depozitarea alimentelor care necesită o temperatură mai joasă decât temperatura implicită.
- Când reveniți din vacanță, amintiți-vă să dezactivați această funcție pentru a debloca celelalte butoane și pentru a readuce frigiderul la setările anterioare de temperatură.

**6 Wi-Fi\*1**

Acest buton permite aparatului să se conecteze la o rețea Wi-Fi casnică. Consultați **SMART FUNCTIONS** pentru informații despre setarea inițială a aplicației **LG ThinQ**

**7 Lock\*1**

Acesta blochează butoanele de pe panoul de control.

- Pentru blocarea butoanelor panoului de control, mențineți apăsat butonul **Lock** timp de 3 secunde până când funcția este activată.
- Pentru dezactivarea funcției, mențineți apăsat butonul **Lock** timp de 3 secunde până când funcția este dezactivată.

**NOTĂ**

- Pentru păstrarea optimă a alimentelor, se recomandă creșterea sau scăderea cu 1°C sau un nivel față de temperatura implicită pentru fiecare compartiment.
- Temperatura afișată este temperatura dorită, nu temperatura reală din aparat.
- Temperatura reală din aparat depinde de următorii factori: temperatura camerei, cantitatea de mâncare, frecvența deschiderii ușilor și locația aparatului. Setati temperaturile luând în considerare acești factori.
- Panoul de control se va dezactiva automat pentru economisirea energiei.
- În cazul contactului unui deget sau al pielii cu panoul de control în timpul curățării, funcția aferentă butonului declanșat ar putea fi acționată.

## Aplicația LG ThinQ

Această caracteristică este disponibilă numai pentru modelele cu Wi-Fi.

Aplicația **LG ThinQ** vă permite să comunicați cu aparatul utilizând un smartphone.

## Caracteristicile aplicației LG ThinQ

Comunicați cu aparatul de pe un smartphone prin intermediul funcțiilor inteligente comode.

### Smart Diagnosis

- Dacă aveți o problemă în timpul utilizării aparatului, această caracteristică de diagnosticare inteligentă vă va ajuta să diagnosticați problema.

### Setări

- Aceasta vă permite să setați diferite opțiuni ale aparatului și ale aplicației.

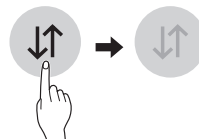
### NOTĂ

- Dacă schimbați routerul wireless, furnizorul serviciilor de internet sau parola, ștergeți dispozitivul înregistrat din aplicația **LG ThinQ** și înregistrați-o din nou.
- Aplicația poate fi modificată cu scopul îmbunătățirii aparatului fără notificarea utilizatorilor.
- Funcțiile pot varia în funcție de model.

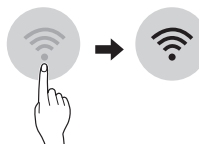
## Înainte de utilizarea aplicației LG ThinQ

- 1 Verificați distanța dintre aparat și routerul wireless (rețeaua Wi-Fi).
  - În cazul în care distanța dintre aparat și routerul wireless este prea mare, puterea semnalului scade. Înregistrarea poate dura mai mult timp sau instalarea poate eșua.

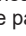
- 2 Dezactivați **Datele mobile** sau **Date celulare** de pe smartphone-ul dumneavoastră.



- 3 Conectați-vă smartphone-ul la routerul wireless.



### NOTĂ

- Pentru a verifica conexiunea Wi-Fi, verificați dacă pictograma  de pe panoul de control este aprinsă.
- Aparatul suportă doar rețele Wi-Fi de 2,4 GHz. Pentru a verifica frecvența rețelei dumneavoastră, contactați-vă furnizorul de servicii de internet sau consultați manualul routerului dumneavoastră wireless.
- Compania **LG ThinQ** nu este responsabilă pentru probleme de conexiune ori defecțiuni sau erori cauzate de conexiunea la rețea.
- În cazul în care aparatul are probleme cu conectarea la rețeaua Wi-Fi, acestea poate fi situat prea departe de router. Achiziționați un repetor Wi-Fi (amplificator de semnal) pentru a îmbunătăți puterea semnalului Wi-Fi.
- Conexiunea Wi-Fi poate să nu se realizeze sau să se întrerupă din cauza mediului rețelei din locuință.
- Conexiunea la rețea poate să nu funcționeze în mod corespunzător în funcție de furnizorul de servicii de internet.
- Mediul wireless înconjurător poate face ca serviciul de rețea wireless să funcționeze mai lent.
- Aparatul nu poate fi înregistrat din cauza problemelor cu transmisia semnalului wireless. Deconectați aparatul și așteptați un minut înainte de a încerca din nou.
- În cazul în care firewall-ul sau routerul dvs. wireless este activat, dezactivați firewall-ul sau adăugați o excepție în cadrul acestuia.


- Numele rețelei wireless (SSID) trebuie să fie o combinație de litere și cifre. (Nu folosiți caractere speciale)
- Interfața utilizatorului (UI) a Smartphone-ului poate varia în funcție de sistemul de operare mobil (OS) și de producător.
- Dacă protocolul de securitate al router-ului este setat pe **WEP**, este posibil să nu puteți configura rețeaua. Vă rugăm să schimbați protocolul de securitate (se recomandă **WPA2**) și să înregistrați produsul din nou.

## Instalarea aplicației LG ThinQ

Căutați aplicația **LG ThinQ** de la magazinul Google Play Store & Apple App Store pe un smartphone.

- Urmați instrucțiunile pentru a descărca și a instala aplicația.

## Conectarea la Wi-Fi

Butonul **Wi-Fi**, atunci când este utilizat împreună cu aplicația **LG ThinQ**, permite conectarea aparatului la o rețea Wi-Fi de domiciliu. Pictograma  afișează starea conexiunii la rețea a aparatului. Pictograma se aprinde atunci când aparatul este conectat la o rețea Wi-Fi.


### Prima înregistrare a aparatului

- Porniți aplicația **LG ThinQ** și urmați instrucțiunile din aplicație pentru a înregistra aparatul.

### Reînregistrarea aparatului sau înregistrarea unui alt utilizator

- Țineți apăsat butonul **Wi-Fi** timp de 3 secunde pentru a opri temporar această funcție. Porniți aplicația **LG ThinQ** și urmați instrucțiunile din aplicație pentru a înregistra aparatul.

## NOTĂ

- Pentru a dezactiva funcția Wi-Fi, apăsați și țineți apăsat butonul **Wi-Fi** timp de 3 secunde. Pictograma  se va stinge.

## Informații de notificare privind software-ul open source

Pentru a obține codul sursă din GPL, LGPL, MPL și alte licențe open source care au obligația de a divulga codul sursă conținut în acest produs, precum și pentru a accesa toți termenii licențelor numite mai sus, notificările privind drepturile de autor și alte documente relevante, vă rugăm să vizitați <https://opensource.lge.com>.

LG Electronics va oferi și codul sursă pe CD-ROM în schimbul unei sume care să acopere costurile unei asemenea distribuții (cum ar fi costurile suporturilor media, de transport și de procesare), în urma unei solicitări prin e-mail la [opensource@lge.com](mailto:opensource@lge.com).

Această ofertă este valabilă pentru oricine primește aceste informații, pentru o perioadă de trei ani de la ultima expediere a acestui produs.

## Note pentru curățare

- Când scoateți un raft sau un sertar din aparat, scoateți toate alimentele depozitate pe raft sau în sertar pentru a nu vă răni sau a nu deteriora aparatul.
  - În caz contrar, v-ați putea răni din cauza greutății alimentelor depozitate.
- Când curățați orificiile de aerisire exterioare ale aparatului cu ajutorul aspiratorului, cordonul de alimentare trebuie deconectat de la priză pentru a evita orice descărcare electrostatică ce ar putea deteriora echipamentele electronice sau ar putea duce la electrocutare.
- Detașați rafturile și sertarele, curățați-le cu apă și uscați-le bine înainte de a le pune la loc.
- Ștergeți regulat garniturile ușii cu un prosop moale umed.
- Petele sau stropii care se văd pe coșul de pe ușă trebuie curățate, întrucât pot compromite capacitatea de stocare a coșului și îl pot chiar deteriora.
- După curățare, verificați să nu fie deteriorat cablul de alimentare, să nu fie fierbinte sau conectat necorespunzător.
- Păstrați curate orificiile de aerisire de la exteriorul aparatului.
  - Orificiile de aerisire blocate pot provoca incendii sau pot deteriora aparatul.
- Atunci când curățați interiorul sau exteriorul aparatului, nu îl ștergeți cu o perie aspră, pastă de dinți sau materiale inflamabile. Nu folosiți agenți de curățare care conțin substanțe inflamabile.
  - Acest lucru poate cauza decolorarea sau deteriorarea aparatului.
  - Substanțe inflamabile: alcool (etanol, metanol, izopropil alcool, izobutil alcool, etc.), diluant, înălbitor, lichide inflamabile sau abrazive, etc.
- Pentru exteriorul aparatului, utilizați un burete curat sau o lavetă moale și un detergent delicat în apă caldă. Nu utilizați produse de curățare abrazive sau aspre. Uscați complet cu o lavetă moale.
- Nu spălați niciodată rafturile sau containerele în mașina de spălat vase.
  - Piese s-ar putea deforma din cauza căldurii.
- Curățați la intervale regulate suprafețele care pot intra în contact cu produsele alimentare și sistemele de drenaj accesibile.
- În cazul în care aparatul este dotat cu o lampă cu LED, nu îndepărtați carcasa acesteia sau lampa în sine în încercarea de a o repara sau verifica. Vă rugăm să luați legătura cu un centru de informații pentru clienți LG Electronics.

## Eliminarea aparatului vechi



- Simbolul de peștelă indică faptul că deșeurile electrice și electronice (WEEE) trebuie eliminate separat de celelalte deșeuri.
- Produsele electrice și electronice vechi conțin substanțe periculoase. Astfel, prin eliminarea corespunzătoare veți contribui la prevenirea deteriorării mediului înconjurător și al sănătății umane. Este posibil ca dispozitivul dvs. vechi să conțină piese componente, care pot fi folosite pentru repararea altor produse sau materiale importante care pot fi reciclate în scopul economisirii resurselor limitate.
- Dispozitivul vechi poate fi returnat magazinului de unde a fost achiziționat, sau puteți contacta firma responsabilă pentru eliminarea deșeurilor, în scopul aflării locației unității autorizate pentru reciclarea deșeurilor electrice și electronice (WEEE). Pentru informații mereu actualizate și referitoare la țara dvs. vă rugăm vizitați pagina web [www.lg.com/global/recycling](http://www.lg.com/global/recycling)

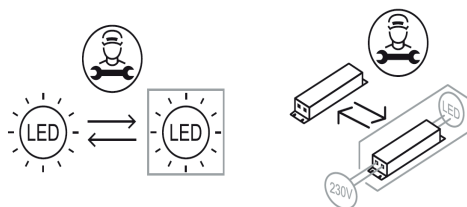
## Asistență clienți și service

Contactați un centru LG Electronics de informare a clienților.

- Pentru mai multe informații despre centrul de service LG autorizat, accesați site-ul nostru web la [www.lg.com](http://www.lg.com).
- Numai personalul de service calificat din cadrul centrului de service LG autorizat trebuie să dezasambleze, să repare sau să modifice aparatul.
- Perioada minimă de garanție a frigiderului este de 24 luni.
- Pentru a cumpăra piese de schimb, contactați un centru LG Electronics de informare a clienților sau accesați site-ul nostru web la [www.lg.com](http://www.lg.com).
- Piesele de schimb indicate în Regulamentul UE 2019/2019 sunt disponibile pe o perioadă de 7 ani (numai garniturile ușilor sunt disponibile pe o perioadă de 10 ani).

### NOTĂ

- Pentru mai multe informații despre eficiența energetică a aparatului, accesați <https://ec.europa.eu> și căutați folosind denumirea modelului (valabil de la 1 martie 2021).
- Regulamentul (UE) 2019/2019, valabil de la 1 martie 2021, este legat de clasele de eficiență energetică definite în Regulamentul (UE) 2019/2016.
- Scanați codul QR de pe eticheta energetică aplicată pe aparat, care conține un link către informații legate de performanța aparatului în baza de date EPREL la nivelul UE. Păstrați eticheta energetică pentru a putea fi consultată ulterior împreună cu toate celelalte documente care au fost furnizate cu aparatul (valabil de la 1 martie 2021).
- Denumirea modelului se găsește pe eticheta de clasificare aplicată pe aparat.
- Acest produs conține o sursă de lumină din clasa de eficiență energetică G.





NÁVOD NA POUŽÍVANIE

# CHLADNIČKA S MRAZNIČKOU

**Pred používaním spotrebiča si dôkladne prečítajte návod na používanie a v prípade potreby ho majte poruke.**

[www.lg.com](http://www.lg.com)

Podrobnejšie informácie nájdete v návode na použitie na webovej stránke spoločnosti LG.

Copyright © 2019-2023 LG Electronics Inc. Všetky práva vyhradené



# OBSAH

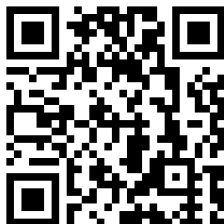
Tento návod na používanie môže obsahovať obrazový materiál a obsah, ktoré sa líšia od modelu, ktorý ste si zakúpili.

Tento návod podlieha revízií vykonanej výrobcom.

<b>BEZPEČNOSTNÉ POKYNY</b> .....	<b>3</b>
DÔLEŽITÉ BEZPEČNOSTNÉ POKYNY.....	3
<b>INŠTALÁCIA</b> .....	<b>10</b>
Rozmery a vzdialenosti .....	10
Teplota okolia.....	10
<b>PREVÁDZKA</b> .....	<b>11</b>
Poznámky k prevádzke .....	11
Zásuvka Fresh Converter ( * ).....	12
Zásuvka Fresh Balancer ( * ).....	12
Ovládací panel .....	14
<b>INTELEKTUÁLNE FUNKCIE</b> .....	<b>16</b>
Aplikácia LG ThinQ .....	16
<b>ÚDRŽBA</b> .....	<b>18</b>
Poznámky k čisteniu.....	18
Zneškodnenie starého spotrebiča .....	18
<b>RIEŠENIE PROBLÉMOV</b> .....	<b>19</b>

## Dodatočné informácie príručky

Toto je krátka verzia používateľskej príručky.  
Ďalšie informácie nájdete na webovej stránke spoločnosti LG na adrese <http://www.lg.com>



## Riešenie problémov



Cieľom týchto bezpečnostných pravidiel je predchádzať nepredvídaným rizikám a škodám spôsobeným nebezpečným alebo nesprávnym používaním produktu.

Tieto pravidlá sú rozdelené do skupín „**VAROVANIA**“ a „**UPOZORNENIA**“, ktoré sú podrobnejšie vysvetlené nižšie.

 Tento symbol označuje situácie a činnosti, ktoré môžu predstavovať riziko. Text označený týmto symbolom si dôkladne prečítajte a postupujte podľa pokynov, aby ste týmto rizikám predišli.

## **VAROVANIE**

označuje situácie, v ktorých môže mať nedodržanie pokynov za následok závažné zranenie alebo smrť.

## **UPOZORNENIE**

označuje situácie, v ktorých môže nedodržanie pokynov spôsobiť menej závažné zranenie alebo poškodenie produktu.

## DÔLEŽITÉ BEZPEČNOSTNÉ POKYNY

### **VAROVANIE**

Aby ste pri používaní tohto výrobku znížili riziko výbuchu, vzniku požiaru, usmrtenia, zásahu elektrickým prúdom, poranenia alebo obarenia osôb, dodržiavajte základné bezpečnostné opatrenia vrátane opatrení, ktoré sa uvádzajú nižšie:

#### **Deti v domácnosti**

- Tento spotrebič nie je určený na používanie osobami (vrátane detí) so zníženými fyzickými, zmyslovými alebo duševnými schopnosťami, či s nedostatkom skúseností a znalostí, pokiaľ nie sú pod dozorom alebo ich osoba zodpovedná za ich bezpečnosť nepoučila o používaní spotrebiča. Deti musia byť pod dozorom, aby sa so spotrebičom nehrali.
- Ak je spotrebič vybavený zámkom (len niektoré modely), držte kľúč mimo dosahu detí.

## **Použitie v Európe:**

- Toto zariadenie smú deti vo veku aspoň 8 rokov a osoby so zníženými fyzickými, zmyslovými alebo duševnými schopnosťami či s nedostatkom skúseností a znalostí používať pod dozorom alebo po poučení o bezpečnom používaní spotrebiča a za predpokladu, že prípadným rizikám porozumeli. Deťom nedovoľte hrať sa so spotrebičom. Deti nesmú bez dozoru spotrebič čistiť ani vykonávať jeho používateľskú údržbu.
- Deti vo veku od 3 do 8 rokov môžu do chladiacich spotrebičov veci ukladať a vykladať ich von.

## **Inštalácia**

- Tento spotrebič by mali prepravovať aspoň dve osoby, ktoré ho budú bezpečne držať.
- Ubezpečte sa, že zásuvka je riadne uzemnená. Presvedčte sa, že uzemňovací kolík na napájacom kábli nie je poškodený, ani nie je zo zástrčky odstránený. Viac informácií o uzemnení získate v zákazníckom informačnom centre spoločnosti LG Electronics.
- Spotrebič je vybavený napájacím káblom s ochranným vodičom a uzemňovacou zástrčkou. Zástrčka musí byť zapojená do zodpovedajúcej elektrickej zásuvky, ktorá je správne nainštalovaná a uzemnená v súlade so všetkými miestnymi predpismi a nariadeniami.
- Ak je napájací kábel alebo zástrčka poškodená alebo otvory v zásuvke sú uvoľnené, kábel nepoužívajte a kontaktujte autorizované servisné stredisko.
- Spotrebič nezapájajte do adaptéra s viacerými zásuvkami, ktorý nemá napájací kábel (ako súčasť adaptéra).
- Napájací kábel neupravujte ani nepredlžujte.
- Tento spotrebič by mal byť pripojený k elektrickému napájaniu na to určenému, s osobitnou poistkou.
- Nepoužívajte adaptér s viacerými zásuvkami, ktorý nie je správne uzemnený (prenosný). Ak je takýto adaptér správne uzemnený (prenosný), uistite sa, že má aktuálnu alebo vyššiu kapacitu kódu napájania a tento viacnásobný adaptér používajte len pre spotrebič.
- Spotrebič nainštalujte na miesto, kde je ľahko možné odpojiť elektrické napájanie.
- Dbajte na to, aby kábel zo zástrčky zapojenej v zásuvke nesmeroval nahor alebo aby sa spotrebič o zástrčku neopieral.
- Spotrebič nainštalujte na pevnú a rovnú podlahu.
- Spotrebič neinštalujte na vlhkom a prašnom mieste. Spotrebič neinštalujte ani neskladujte vonku, ani na miestach podliehajúcim vplyvom počasia ako je priame slnečné svetlo, vietor, dážď alebo teploty pod bodom mrazu.

- Spotrebič neumiestňujte na priame slnko ani v blízkosti spotrebičov vyžarujúcich teplo, ako sú sporáky alebo ohrievače.
- Počas inštalácie neodkrývajte zadnú stranu spotrebiča.
- Dbajte na to, aby vám dvierka spotrebiča počas montáže a demontáže nespadli.
- Počas montáže a demontáže dvierok spotrebiča dbajte na to, aby ste neprepichli, nestlačili alebo nepoškodili napájací kábel.
- Zástrčku nezapájajte do zásuvkového adaptéra alebo iného podobného príslušenstva.

### **Prevádzka**

- Spotrebič nepoužívajte na iné účely ako skladovanie potravín v domácnosti (skladovanie zdravotníckeho alebo experimentálneho materiálu alebo na prepravu).
- Počas silnej búrky alebo ak sa spotrebič dlhšie nepoužíva, elektrickú zástrčku odpojte.
- Elektrickej zástrčky a ovládačov spotrebiča sa nedotýkajte mokrými rukami.
- Napájací kábel nadmerne neohýbajte, ani naň nekladte ťažké predmety.
- Ak do elektronických častí spotrebiča prenikne voda, odpojte napájací kábel a obráťte sa na zákazníkcke informačné centrum spoločnosti LG Electronics.
- Do priestoru tvorby chladného vzduchu, ani na kryt alebo chladiacu mriežku na zadnej strane spotrebiča nekladte ruky ani kovové predmety.
- Na zadný kryt spotrebiča nevyvíjajte nadmernú silu ani ho nevystavujte nárazom.
- Do spotrebiča nekladajte zvieratá, napríklad domácich miláčikov.
- Pri otváraní alebo zatváraní dvierok dajte pozor na deti pohybujúce sa v blízkosti spotrebiča. Môžu do dieťaťa naraziť a spôsobiť mu poranenie. Nedovoľte iným osobám, aby vyliezali a hojdali sa na dvierkach spotrebiča. Spotrebič by sa mohol prevrátiť a spôsobiť vážne poranenie.
- Zabráňte riziku uviaznutia dieťaťa vo vnútri spotrebiča. Dieťa uviaznuté vo vnútri sa môže udusiť.
- Na spotrebič nekladajte ťažké alebo krehké predmety, nádoby naplnené vodou, horľaviny, horľavé predmety (ako sú sviečky, lampy, atď.) alebo ohrievacie zariadenia (ako sú platničky, ohrievače, atď.).
- V prípade úniku plynu (izobutánu, propánu, zemného plynu a pod.) sa spotrebiča ani zástrčky nedotýkajte a miestnosť

okamžite vyvetrajte. Tento spotrebič používa chladiaci plyn (izobután, R600a). Hoci spotrebič tento plyn používa len v malom množstve, je horľavý. Únik plynu počas prepravy, inštalácie alebo prevádzky spotrebiča môže v prípade vzniku iskier spôsobiť požiar, výbuch alebo zranenie.

- V blízkosti spotrebiča nepoužívajte ani neskladujte zápalné látky (éter, benzén, alkohol, chemikálie, LPG, zápalné spreje, insekticídy, osviežovače vzduchu, kozmetiku a pod.).
- Ak zaznamenáte nezvyčajný hluk, zápach alebo dym unikajúci zo spotrebiča, okamžite ho odpojte zo zásuvky a obráťte sa na zákaznícke informačné centrum spoločnosti LG Electronics.
- Výrobník ľadu alebo zásobník dávkovača vody naplňajte výlučne pitnou vodou.
- Nepoškodte chladiaci okruh.
- Počas používania spotrebiča neumiestňujte do jeho vnútra ďalšie elektronické zariadenia (ako ohrievač alebo mobilný telefón).

## Údržba

- Pred čistením spotrebiča alebo výmenou žiarovky (ak je namontovaná) odpojte napájací kábel.
- Po úplnom odstránení všetkej vlhkosti a prachu elektrickú zástrčku bezpečne zapojte do zásuvky.
- Pri odpájaní spotrebiča od zásuvky nikdy neťahajte za napájací kábel. Zástrčku vždy pevne uchopte a vytiahnite ju priamo z elektrickej zásuvky.
- Aby ste spotrebič vyčistili, nestriekajte do vnútra ani na povrch spotrebiča (na čistenie) vodu ani horľavé látky (zubná pasta, alkohol, riedidlo, benzén, horľavé kvapaliny, abrazíva, atď.).
- Spotrebič nečistite pomocou kief, handričiek alebo špongií s drsným povrchom alebo časťou vyrobenou z kovového materiálu.
- Spotrebič by mali demontovať, opravovať alebo upravovať iba kvalifikovaní servisní pracovníci zo servisného strediska spoločnosti LG Electronics. Ak chcete presunúť spotrebič a nainštalovať ho na inom mieste, obráťte sa na zákaznícke informačné centrum spoločnosti LG Electronics.
- Na vysušenie vnútra spotrebiča nepoužívajte sušič na vlasy. Na odstránenie pachov vo vnútri spotrebiča nepoužívajte sviečky.
- Na urýchlenie rozmrazovania nepoužívajte mechanické prostriedky ani iné spôsoby.

## **Likvidácia**

- Pri likvidácii spotrebiča odstráňte tesnenie dvierok, pričom poličky a koše ponecháte na mieste. Spotrebič uchovajte mimo dosahu detí.
- Zlikvidujte všetok obalový materiál (ako plastové vrecia a polystyrén) mimo dosahu detí. Obalový materiál môže spôsobiť udusenie.

## **Technická bezpečnosť**

- Ventiláčne otvory v kryte spotrebiča alebo v priestore, v ktorom je spotrebič vstavaný, udržiavajte bez prekážok.
- V chladničke nepoužívajte elektrické spotrebiče.
- Chladiaca látka a izolačný plyn použité v zariadení vyžadujú osobitný postup likvidácie. Pred ich likvidáciou sa poraďte so servisným zástupcom alebo s podobne kvalifikovanou osobou.
- Chladivo unikajúce z potrubia sa môže vznietiť alebo spôsobiť výbuch.
- Množstvo chladiva vo vašom spotrebiči je uvedené na identifikačnom štítku vo vnútri spotrebiča.
- Spotrebič javiaci známky poškodenia nikdy nezapínajte. V prípade pochybností sa poraďte s vaším predajcom.
- Tento spotrebič je určený len na používanie v domácnostiach a podobných priestoroch. Nie je určený na komerčné účely alebo účely dodávania potravín, ani na používanie v mobilných zariadeniach, ako sú obytné prívěsy alebo člny.
- V tomto spotrebiči neskladujte žiadne výbušné látky, ako sú aerosólové nádoby s horľavou náplňou.
- Toto chladiace zariadenie nie je určené na použitie ako zabudovaný spotrebič.

## Riziko požiaru a horľavé materiály



Tento symbol upozorňuje na horľavé materiály, ktoré sa môžu vznietiť a spôsobiť požiar v prípade vašej neopatrnosti.

- Tento spotrebič obsahuje malé množstvo izobutánového chladiva (R600a), ktoré je tiež horľavé. Počas prepravy a inštalácie spotrebiča je potrebné zabezpečiť, aby sa nepoškodil žiaden z komponentov chladiaceho okruhu.
- Ak zistíte, že chladivo uniká, z blízkosti spotrebiča ihneď odstráňte zdroje otvoreného ohňa alebo iného zápalného zdroja. Miestnosť, v ktorej sa spotrebič nachádza, niekoľko minút vetrajte. Aby ste pri zistení netesností chladiaceho okruhu predišli vytvoreniu zápalnej zmesi plynu a vzduchu, veľkosť miestnosti, v ktorej sa spotrebič používa, musí zodpovedať množstvu používaného chladiva. Na každých 8 g chladiva R600a v spotrebiči musí pripadať 1 m<sup>2</sup> rozlohy miestnosti.
- Pri umiestňovaní spotrebiča sa uistite, že napájací kábel nie je zaseknutý alebo poškodený.
- Na zadnú časť spotrebiča neumiestňujte viacero prenosných zásuviek pre prenosné napájacie zdroje.

## **⚠ UPOZORNENIE**

**Aby ste pri používaní tohto výrobku znížili riziko ľahkého zranenia osôb, poruchy alebo poškodenia výrobku alebo majetku, dodržiavajte základné bezpečnostné opatrenia vrátane opatrení, ktoré sa uvádzajú nižšie:**

### **Inštalácia**

- Počas prepravy spotrebič pri ťahaní alebo tlačení nenakláňajte.
- Uistite sa, že si pri hýbaní so spotrebičom neprivriete žiadnu časť tela, ako napr. ruku alebo nohu.

### **Prevádzka**

- Zmrazených potravín alebo kovových častí mrazničky sa nedotýkajte mokrými alebo vlhkými rukami. Môže to spôsobiť omrzliny.
- Neumiestňujte sklenené nádoby, fľaše alebo konzervy (najmä tie, ktoré obsahujú sytené nápoje) do mraziacej priehradky, políc alebo do nádoby na ľad, ktoré budú vystavené teplotám pod bodom mrazu.
- Tvrdené sklo na prednej strane dvierok spotrebiča alebo na policiach sa môže nárazom poškodiť. Ak je poškodené, nedotýkajte sa ho rukami.
- Dvierok spotrebiča, ukladacieho priestoru alebo poličiek sa nepridŕžajte, neviete na nich, ani sa po nich nešplhajte.
- V košoch na dverách neskladujte nadmerné množstvo fliaš s vodou alebo nádob s prílohami.
- Dávajte pozor, aby zvieratá neohrýzli napájací kábel alebo hadicu na privod vody.
- Spotrebič neotvárajte ani nezatvárajte použitím nadmernej sily.
- Ak sú závesy dvierok spotrebiča poškodené alebo nefungujú správne, prestaňte ich používať a obráťte sa na servisné stredisko spoločnosti LG Electronics.
- Studené sklenené police alebo kryty nečistite teplou vodou.
- Zmrazené potraviny ihneď po vybratí z mrazničky nekonzumujte.
- Uistite sa, že si pri otváraní alebo zatváraní dvierok spotrebiča neprivriete ruku alebo nohu.

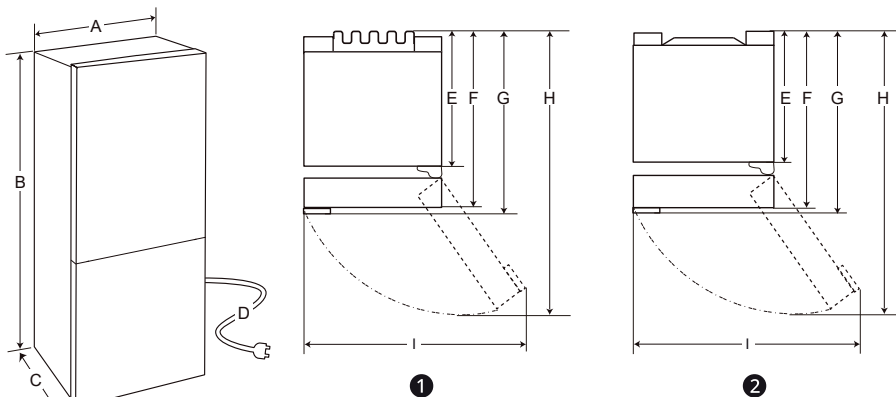
### **Údržba**

- Police nevkładajte hore dnom. Mohli by spadnúť.
- Ak chcete zvnútra spotrebiča odstrániť námrazu, obráťte sa na zákaznícke informačné centrum spoločnosti LG Electronics.



## Rozmery a vzdialenosti

Príliš malá vzdialenosť od susediacich položiek môže mať za následok zhoršenie schopnosti mrazenia a zvýšenie nákladov na elektrickú energiu. Pri inštalácii spotrebiča nechajte od každej príľahlej steny vzdialenosť viac ako 50 mm.



	1		2	
	Rozmer [mm]			
	Zapustená rukoväť	Tyčová rukoväť	Zapustená rukoväť	Tyčová rukoväť
A	595	595	595	595
B	1 860 / 2 030	1 860 / 2 030	1 860 / 2 030	1 860 / 2 030
C	682	718	675	712
D	2 100	2 100	2 100	2 100
E	616	616	610	610
F	682	682	675	675
G	-	718	-	712
H	1 230	1 237	1 225	1 232
I	995	995	995	995

### POZNÁMKA

- Rozmery uvedené v tabuľke vyššie sú približné.

## Teplota okolia

- Spotrebič je navrhnutý tak, aby fungoval v obmedzenom rozsahu okolitých teplôt, v závislosti od klimatických zón.
- Vnútorne teploty môžu byť ovplyvnené umiestnením spotrebiča, teplotou okolia, frekvenciou otvárania dverí atď.
- Klimatická trieda je uvedená na energetickom štítku.

Klimatická trieda	Rozsah teploty okolia °C
SN (Rozšírené Mierne Pásmo)	+10 - +32
N (Mierne Pásmo)	+16 - +32
ST (Subtropické Pásmo)	+16 - +38
T (Tropické Pásmo)	+16 - +43 / +10 - +43*

\*Austrália, India, Keňa

### POZNÁMKA

Spotrebiče s hodnotením od SN do T sú určené na použitie pri teplote prostredia medzi 10 °C a 43 °C.

## Poznámky k prevádzke

- Nezabúdajte, že ak sa dvere spotrebiča úplne neuzavrú, ak je v lete vysoká vlhkosť vzduchu alebo ak sa dvere mrazničky otvárajú príliš často, môže sa vo vnútri spotrebiča tvoriť námraza.
- Dbajte na to, aby bol medzi potravinami uloženými na policičke alebo v koši dostatočný priestor, aby bolo možné dvere úplne uzavrieť.
- Otvorenie dverí na dlhšiu dobu môže spôsobiť výrazné zvýšenie teploty v priehradkách spotrebiča.
- Ak chladiaci spotrebič zostane po dlhšiu dobu prázdny, vypnite ho, odmrazte, vyčistite, vysušte a nechajte dvierka otvorené, aby sa zabránilo tvorbe plesní vo vnútri spotrebiča.

## Odporúčania na úsporu energie

- Dbajte na to, aby bol medzi skladovanými potravinami dostatočný priestor. To umožňuje rovnomernú cirkuláciu studeného vzduchu a znižuje náklady na elektrinu.
- Horúce potraviny skladujte až po vychladení, aby ste predišli roseniu a vytváraniu námrazy.
- Pri uchovávaní potravín v mrazničke, nastavte jej teplotu nižšie, než je teplota uvedená na danej potravine.
- Potraviny neumiestňujte v blízkosti snímača teploty vo vnútri chladničky. Udržujte vzdialenosť aspoň 3 cm od snímača.
- Pamätajte, že teplotný vzostup po odmrazovaní má v špecifikáciách spotrebiča uvedený povolený rozsah. Ak chcete znížiť možný vplyv teplotného vzostupu na skladované potraviny, zabaľte ich do niekoľkých vrstiev.
- Systém automatického rozmrazovania v spotrebiči zaisťuje, že v normálnych prevádzkových podmienkach zostáva priestor bez nánosov ľadu.
- Aby ste energiu využívali čo najefektívnejšie, nechajte vnútorné časti (napr. dverové priehradky, zásuvky a police) namontované na pôvodnom mieste.
- Nenastavujte teplotu spotrebiča na nižšiu teplotu, ako je potrebné.

## Efektívne skladovanie potravín

- Mrazené alebo chladené potraviny uchovávajte v uzavretých nádobách.
- Pred vložením potravín do spotrebiča si kontrolujte dátum potreby a pokyny na skladovanie uvedené na štítku.
- Ak ide o potraviny, ktoré sa pri nízkych teplotách ľahko kazia, dlho (dlhšie než 4 týždne) ich neskladujte.

- Chladené alebo mrazené potraviny ihneď po zakúpení umiestnite do chladničky alebo mrazničky.
- Surové mäso a ryby skladujte vo vhodných nádobách v chladničke tak, aby nedochádzalo ku kontaktu s inými potravinami.
- Úplne rozmrazené potraviny opätovne chuť a nezmrazujte. Opätovné zmrazovanie už rozmrazených potravín znehodnotí ich zníži obsah živín.
- Zeleninu neskladujte zabalenú v novinovom papieri. Tlačiarenská farba a iné cudzorodé látky môžu potraviny znečistiť a kontaminovať.
- Spotrebič neprepĺňajte. Ak je spotrebič preplnený, studený vzduch nemôže správne cirkulovať.
- Ak nastavíte príliš nízku teplotu, potraviny môžu zmrznúť. Nenastavujte nižšiu teplotu, ako je teplota odporúčaná na správne skladovanie daných potravín.
- Ak chcete získať väčší priestor, môžete odstrániť držiak na fľaše, priehradku na vajcia, zásobník na ľad a zásuvku na čerstvé produkty.

Potraviny uchovávané pri nesprávnej teplote môžu zamrznúť alebo sa pokaziť. Nastavte chladničku na správnu teplotu pre uchovávané potraviny.

## Max. kapacita mrazenia

- Funkcia expresného mrazenia Express Freeze nastaví mrazničku na maximálnu mrazivú kapacitu. Toto zvyčajne trvá až 24 hodín a automaticky sa vypne.
- Ak sa má použiť maximálna mraziaca kapacita, expresné mrazenie Express Freeze sa musí zapnúť sedem hodín predtým, než sa čerstvé plody umiestnia do mrazničky.

## Zmrazenie maximálneho množstva potravín

- Vložením všetkých zásuviek zlepšíte cirkuláciu vzduchu.
- Ak chcete skladovať veľké množstvo potravín, z mrazničky vyberte všetky zásuvky a potraviny ukladajte priamo na policičku (alebo policičky) mrazničky.

## POZNÁMKA

- Ak chcete vybrať zásuvky, najprv vyberte potraviny zo zásuviek, a potom opatrne vytiahnite zásuvky. Ak tak neurobite, môže dôjsť k zraneniu alebo poškodeniu zásuviek.
- Tvar každej zásuvky môže byť iný, vkladajte ich na správne miesto.

## Nastavenie teploty

Týmto nastavíte vnútornú teplotu chladničky alebo mrazničky.

- Stlačením tlačidla **Fridge** alebo **Freezer** upravíte teplotu.
- Teplotu možno upraviť.
  - Chladnička: od 1 °C do 7 °C
  - Mraznička: od -15 °C do -23 °C
- Počiatkové nastavenia teploty sú:
  - Chladnička: 3 °C
  - Mraznička: -18 °C

Aktuálna vnútorná teplota sa mení podľa stavu potravín. Nastavená teplota chladničky je cieľová, a nie aktuálna teplota vo vnútri chladničky

## POZNÁMKA

- Predvolené nastavenie teploty sa môže líšiť v závislosti od spotrebiča.
- V záujme optimálneho zachovania čerstvosti potravín sa odporúča v jednotlivých priehradkách prednastavenú teplotu zvýšiť alebo znížiť o 1 °C alebo o jednu úroveň.
- Po zapojení spotrebiča do zásuvky počkajte pred vložením potravín do spotrebiča 2 alebo 3 hodiny.
- Pri výrobe ľadu v normálnych klimatických podmienkach by mali byť teploty mrazničky nastavené na -18 °C alebo menej.

## Alarm vysokej teploty

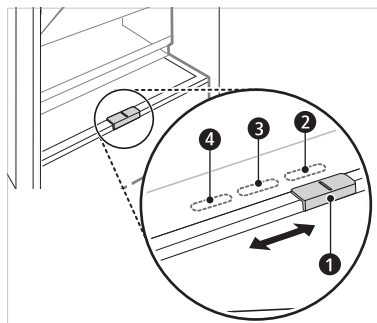
Keď je teplota mrazničky príliš vysoká z dôvodu výpadku elektrickej energie, LED kontrolka teploty mrazničky bliká a zaznie alarm.

- Stlačte tlačidlo **Freezer**, aby ste ho vyplli.
- Ak je teplota dostatočne nízka, blikanie a alarm sa automaticky vypnú.
- Táto funkcia funguje:
  - Keď sa chladnička zapne.
  - Keď je mraznička príliš teplá.
  - Pri výpadku elektrickej energie, ktorý trvá dlhšiu dobu.

- Keď sa v mrazničke nachádzajú veľké množstvá teplých potravín.
- Keď sú dvere mrazničky otvorené na príliš dlho alebo sa otvárajú príliš často.

## Zásuvka Fresh Converter ( \* )

V zásuvke Fresh Converter je možné regulovať teplotu posunutím páčky ❶ v oboch smeroch. Páčka sa nachádza v prednej časti priehradky. Pri skladovaní zeleniny po nastavení pre mäso alebo ryby môže dôjsť k poškodeniu mrazom.



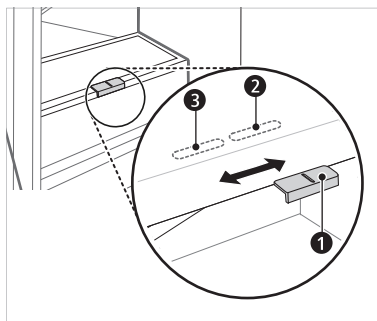
- ❷ Pre skladovanie zeleniny.(Odporúčané)
- ❸ Pre skladovanie rýb.
- ❹ Pre skladovanie mäsa.

## POZNÁMKA

- ( \* ): Táto funkcia sa líši v závislosti od zakúpeného modelu.

## Zásuvka Fresh Balancer ( \* )

V priehradke na zeleninu Fresh Converter môžete upraviť vlhkosť posunutím gombíka ❶.



- ❷ Pre skladovanie zeleniny.(Odporúčané)
- ❸ Pre skladovanie zeleniny.

## POZNÁMKA

- ( \* ): Táto funkcia sa líši v závislosti od zakúpeného modelu.

## Priestory na skladovanie potravín

### Skladovanie potravín v časti chladničky

- **Polička**

- Ukladajú sa na ňu chladené potraviny a iné predmety.
- Výšku police možno zmeniť vložením poličky do drážok v inej výške.
- Potraviny s vysokým obsahom vody skladujte v prednej časti poličiek.
- Počet poličiek sa v závislosti od modelu líši.

- **Stojan na fľaše (\*)**

- V tejto časti sa skladujú vysoké fľaše s nápojmi alebo nádoby.

- **Skladacia polica (\*)**

- Ukladajú sa na ňu chladené potraviny a vysoké predmety.

- **Zásuvka Fresh Balancer (\*)**

- V tejto časti sa skladujú ovocie a zelenina, aby sa pomohlo udržiavať sviežosť nastavením regulátora vlhkosti.
- Vzhľad alebo súčasti spotrebiča sa líšia v závislosti od modelu.

- **Zásuvka Fresh Converter (\*)**

- Chladiaca priehradka, v ktorej sa uskladňuje mäso, ryby a zelenina. Pomôžte zachovať čerstvosť nastavením regulátora vlhkosti umiestneného na zadnej strane priehradky chladničky.
- Ak potrebujete väčší priestor, môžete použiť priestor na chladenie bez zásuvky chladiacej priehradky.

- **Pohyblivý stojan na vajíčka**

- V tejto časti sú uložené vajíčka.
- Môžete ho presunúť a podľa potreby ju použiť na požadovanú pozíciu. Nepoužívajte hovšak ako nádobu na ľad alebo ho umiestnite na policu na hornej časti chladničky alebo zásuvky na zeleninu.

- **Priehradka na dverách chladničky**

- Priestor na skladovanie malých balení chladených potravín, nápojov a nádob s omáčkami.

- **Nádrž dávkovača vody (\*)**

- V tejto časti je uložená voda na zásobovanie dávkovača alebo automatického výrobníka ľadu. Vyžaduje ručné plnenie. (Len pre modely bez prívodu vody)

### Skladovanie potravín v časti mrazničky

- **Zásobník na ľad**

- V tejto časti sa vyrába a skladuje ľad.
- Ak potrebujete väčší priestor, môžete odstrániť zásobník na ľad alebo kôš na kocky ľadu.

- **Zásuvka mrazničky**

- Je určená na dlhodobé skladovanie zmrazených potravín.
- Ak chcete potraviny rýchlo zmraziť, uložte ich na ľavú stranu hornej zásuvky. Potraviny sa v tejto zásuvke najrýchlejšie zmrazia.

### POZNÁMKA

- (\*) : Táto funkcia sa líši v závislosti od zakúpeného modelu.
- Viac informácií o iných priehradkách nájdete na stránke lg.com, ak si stiahnete návody pre majiteľov.

## Ovládací panel

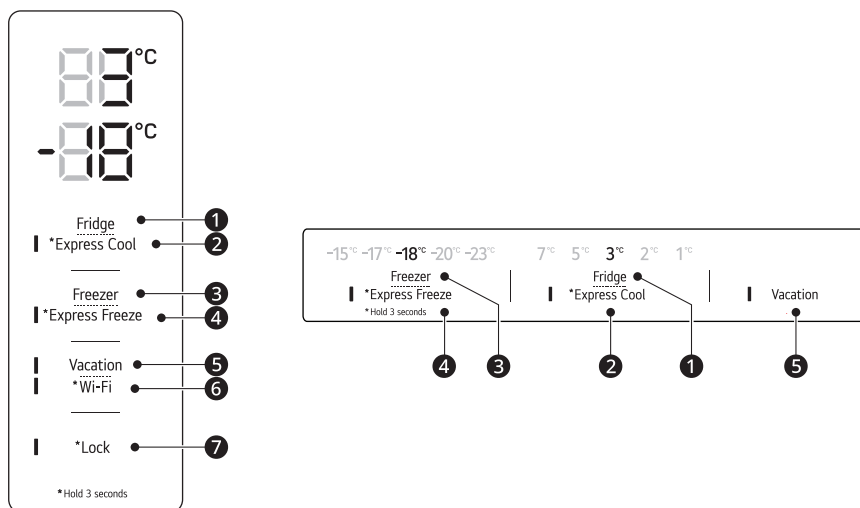
Skutočný vzhľad ovládacích panelov sa môže v závislosti od modelu líšiť.

### Ovládací panel a funkcie

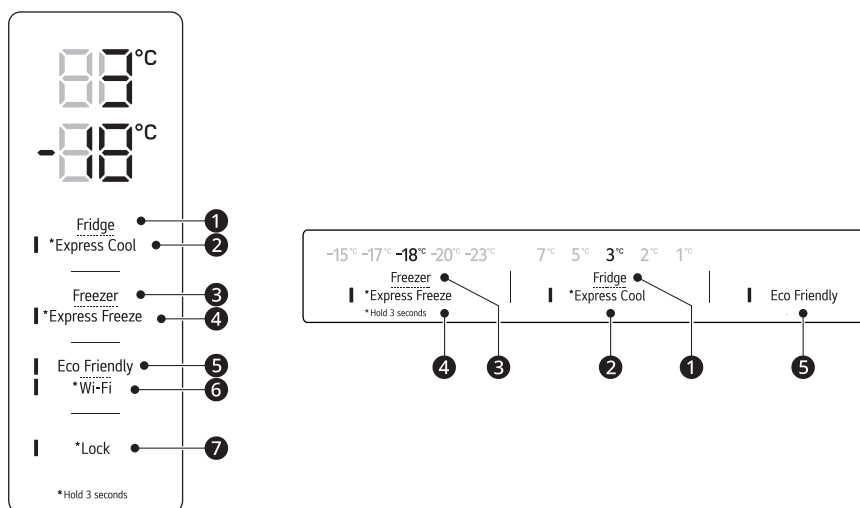
\*1 Táto funkcia je dostupná len pri niektorých modeloch.

Ovládací panel nájdete v závislosti od modelu na dverách chladničky alebo vo vnútri chladničky.

#### Typ A



#### Typ B



**1 Fridge**

Opakovaným stlačením tohto tlačidla vyberte požadovanú teplotu medzi 1 °C a 7 °C.

- Predvolená teplota chladničky je 3 °C.

**2 Express Cool**

Táto funkcia môže rýchlo schladiť veľké množstvo potravín, ako sú napríklad zelenina, ovocie atď.

- Opakovaným stláčaním tlačidla počas 3 sekúnd sa táto funkcia zapína a vypína.

**3 Freezer**

Opakovaným stlačením tohto tlačidla vyberte požadovanú teplotu medzi -15 °C a -23 °C.

- Predvolená teplota mrazničky je -18 °C.

**4 Express Freeze**

Pomocou tejto funkcie môžete rýchlo pripraviť väčšie množstvo ľadu alebo zmraziť väčšie množstvo mrazených potravín.

- Stlačením tlačidla Express Freeze aktivujete funkciu na 24 hodín. Po 24 hodinách sa funkcia automaticky vypne.
- Opakovaným stláčaním tlačidla počas 3 sekúnd sa táto funkcia zapína a vypína.
- Keď je zapnutý tento režim, môže dôjsť k hluku a k zvýšeniu spotreby energie.

**5 Vacation**

Táto funkcia je užitočná v čase, keď ste preč na dovolenke. Keď je táto funkcia zapnutá, teplota chladničky je 7 °C a teplota mrazničky -15 °C. Keď je táto funkcia vypnutá, teplota chladničky a mrazničky sa vráti na predchádzajúce nastavenia teploty.

- Opakovaným stláčaním tlačidla sa táto funkcia zapína a vypína.
- Keď je zapnutý tento režim, iné tlačidlá okrem tlačidiel Locka Wi-Fi nebudú fungovať.
- Položka **Eco Friendly** bola premenovaná na **Vacation**.

**⚠ UPOZORNENIE**

- Keď je táto funkcia zapnutá, buďte opatrní pri skladovaní potravín, ktoré vyžadujú nižšiu teplotu než je predvolená teplota.
- Po návrate domov nezabudnite túto funkciu vypnúť, čím odomknete ostatné tlačidlá a vrátite chladničku na predchádzajúce nastavenia teploty.

**6 Wi-Fi\*1**

Toto tlačidlo umožňuje spotrebiču pripojiť sa k domácej sieti Wi-Fi. V časti **SMART FUNCTIONS** nájdete informácie o úvodnom nastavení aplikácie **LG ThinQ**.

**7 Lock\*1**

Táto funkcia uzamyká tlačidlá na ovládacom paneli.

- Ak chcete uzamknúť tlačidlá ovládacieho panela, stlačte a podržte tlačidlo **Lock** na 3 sekundy, kým sa funkcia neaktivuje.
- Ak chcete funkciu zrušiť, stlačte a podržte tlačidlo **Lock** na 3 sekundy, kým sa funkcia nedeaktivuje.

**POZNÁMKA**

- V záujme optimálneho zachovania čerstvosti potravín sa odporúča v jednotlivých priehradkách prednastavenú teplotu zvýšiť alebo znížiť o 1 °C alebo o jednu úroveň.
- Zobrazená teplota je cieľová teplota, nie skutočná teplota vo vnútri spotrebiča.
- Skutočná teplota vo vnútri spotrebiča závisí od nasledujúcich faktorov: teplota v miestnosti, množstvo potravín a ako často sa otvárajú dvere, kde sa spotrebič nachádza. Teploty nastavte po zvážení týchto faktorov.
- Ovládací panel sa kvôli šetreniu energie automaticky vypne.
- Ak sa pri čistení ovládacieho panela dotknete prstom alebo pokožkou určitého tlačidla, môžete tým zapnúť jeho funkciu.

## Aplikácia LG ThinQ

Táto funkcia je k dispozícii iba na modeloch s Wi-Fi.

Aplikácia **LG ThinQ** umožňuje komunikovať so zariadením pomocou smartfónu.

## Funkcie aplikácie LG ThinQ

So zariadením komunikujte pomocou smartfónu, použitím príslušných funkcií.

### Smart Diagnosis

- Ak sa pri používaní spotrebiča stretnete s problémom, funkcia inteligentnej diagnostiky vám pomôže diagnostikovať problém.

### Nastavenia

- Umožňuje vám nastaviť rozličné možnosti priamo na spotrebiči a v aplikácii.

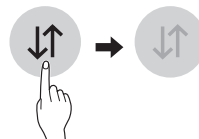
### POZNÁMKA

- Ak zmeníte svoj bezdrôtový smerovač, poskytovateľa internetových služieb alebo heslo, odstráňte zaregistrovaný spotrebič z aplikácie **LG ThinQ** a zaregistrujte ho znovu.
- Aplikácia môže byť kvôli vylepšeniu spotrebiča menená aj bez oznámenia používateľovi.
- Vlastnosti spotrebiča sa môžu u rôznych modelov líšiť.

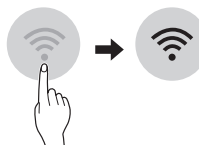
## Pred použitím aplikácie LG ThinQ

- 1 Skontrolujte vzdialenosť medzi spotrebičom a bezdrôtovým smerovačom (sieť Wi-Fi).
  - Ak je vzdialenosť medzi spotrebičom a bezdrôtovým smerovačom príliš veľká, sila signálu je slabá. V tomto prípade môže registrácia trvať dlho alebo inštalácia zlyhá.


- 2 Vypnite **Mobilné dáta** alebo na svojom smartfóne.



- 3 Pripojte váš smartfón k bezdrôtovému smerovaču.



### POZNÁMKA

- Pre overenie pripojenia k sieti Wi-Fi skontrolujte, či na ovládacom paneli svieti ikona .
- Prístroj podporuje iba 2,4 GHz siete Wi-Fi. Ak chcete skontrolovať sieťovú frekvenciu, obráťte sa na poskytovateľa internetových služieb alebo na príručku k bezdrôtovému smerovaču.
- **LG ThinQ** nenesie zodpovednosť za akékoľvek problémy s pripojením k sieti alebo za akékoľvek závady, poruchy alebo chyby spôsobené pripojením k sieti.
- Ak má zariadenie problémy s pripojením k sieti WiFi, možno je príliš ďaleko od routera. Ak chcete zosilniť signál siete WiFi, kúpte si predlžovač dosahu WiFi signálu.
- Spojenie so sieťou WiFi sa nemusí nadviazať alebo môže byť prerušované kvôli sieťovému okoliu v domácnosti.
- Pripojenie k sieti môže byť chybné kvôli poskytovateľovi internetových služieb.
- Spomaľovať službu bezdrôtovej siete môže aj prostredie bezdrôtových sietí v okolí.
- Spotrebič nemožno registrovať kvôli problémom s bezdrôtovým prenosom signálu. Odpojte spotrebič, aspoň minútu počkajte a skúste znova.
- Ak je aktivovaný firewall na bezdrôtovom smerovači, vypnite ho alebo do neho pridajte výnimku.
- Názov bezdrôtovej siete (SSID) by mal byť kombináciou anglických písmen a číslíc. (Nepoužívajte špeciálne znaky)


- Používateľské rozhranie smartfónu (UI) sa môže líšiť v závislosti od mobilného operačného systému (OS) a výrobcu.
- Ak je bezpečnostný protokol smerovača nastavený na **WEP**, nastavenie siete sa vám nemusí podariť. Zmeňte bezpečnostný protokol na iný (odporúčame **WPA2**) a znovu zaregistrujte produkt.

## Inštalovanie aplikácie LG ThinQ

V obchode Google Play alebo Apple App v smartfóne si vyhľadajte aplikáciu **LG ThinQ**.

- Aplikáciu si prevezmite a nainštalujte podľa pokynov.

## Pripojenie k sieti Wi-Fi

Použitie tlačidla **Wi-Fi** spolu s aplikáciou **LG ThinQ** umožní spotrebiču pripojiť sa k vašej domácej sieti Wi-Fi. Ikonka  zobrazuje stav sieťového pripojenia spotrebiča. Keď je spotrebič pripojený k sieti Wi-Fi, ikonka svieti.


## Počiatočná registrácia spotrebiča

- Spustíte aplikáciu **LG ThinQ** a podľa jej pokynov zaregistrujte spotrebič.

## Opätovná registrácia spotrebiča alebo registrácia iného používateľa

- Zatláčte a po dobu 3 sekúnd podržte tlačítko **Wi-Fi** pre jeho dočasné vypnutie. Spustíte aplikáciu **LG ThinQ** a podľa jej pokynov zaregistrujte spotrebič.

## POZNÁMKA

- Ak chcete vypnúť funkciu Wi-Fi, stlačte a podržte tlačidlo **Wi-Fi** na 3 sekundy. Ikona  sa vypne.

## Informácie o softvéri typu Open Source

Ak chcete získať zdrojový kód, ktorý sa poskytuje na základe licencie GPL, LGPL, MPL a ďalších licencií typu Open Source (s otvoreným zdrojovým kódom), ktoré majú povinnosť zverejniť zdrojový kód, a ktorý je obsiahnutý v tomto produkte, a ak chcete získať prístup ku všetkým uvedeným licenčným podmienkam, oznámeniam o autorských právach a ďalším relevantným dokumentom, navštívte webovú lokalitu <https://opensource.lge.com>.

Spoločnosť LG Electronics vám tiež poskytne kód otvoreného zdroja na disku CD-ROM za poplatok, ktorý bude pokrývať náklady na takúto distribúciu (ako sú náklady na médiá, doručenie a manipuláciu), a to na základe e-mailovej žiadosti odoslanej na [opensource@lge.com](mailto:opensource@lge.com).

Táto ponuka platí pre každého, komu bola táto informácia doručená, po dobu troch rokov od posledného odoslania tohto produktu.



## Poznámky k čisteniu

- Pri vyberaní poličky alebo zásuvky zvnútra spotrebiča, vyberte z nej všetky skladované potraviny, aby ste predišli zraneniu osôb alebo poškodeniu spotrebiča.
  - V opačnom prípade môže dôjsť k zraneniu v dôsledku hmotnosti skladovaných potravín.
- Ak vonkajšie vetracie otvory čistíte pomocou vysávača, je potrebné odpojiť napájací kábel zo zásuvky, aby sa predišlo výboju statickej elektriny, ktorý môže poškodiť elektroniku alebo spôsobiť zásah elektrickým prúdom.
- Vyberte poličky a zásuvky a umyte ich vodou. Pred opätovným vložením ich dostatočne osušte.
- Tesnenie dverí pravidelne utierajte mäkkou navlhčenou handričkou.
- Znečistenie a škrvny priehradiek na dverách vyčistíte, keďže môžu mať za následok zníženie skladovacej schopnosti koša alebo ho dokonca poškodiť.
- Po vyčistení skontrolujte, či napájací kábel nie je poškodený, zahriaty alebo nesprávne zapojený.
- Vetracie otvory na vonkajšej strane spotrebiča udržiavajte čisté.
  - Zanesený vetrací otvor môže spôsobiť požiar alebo poškodenie spotrebiča.
- Pri čistení vnútra alebo vonkajšku spotrebiča, nepoužívajte hrubé kefy, zubné pasty alebo horľavé materiály. Nepoužívajte čistiace prostriedky obsahujúce horľavé látky.
  - Mohlo by dôjsť k zmene farby alebo poškodeniu spotrebiča.
  - Horľavé látky: alkohol (etanol, metanol, izopropylalkohol, isobutylalkohol atď.), riedidlá, bielinidlo, benzén, horľavé kvapaliny, abrazíva atď.
- Na čistenie vonkajšieho plášťa spotrebiča použite čistú špongiu alebo mäkkú handričku a jemný čistiaci prostriedok rozpustený v teplej vode. Nepoužívajte abrazívne alebo drsné čistiace prostriedky. Mäkkou handričkou dôkladne vyutierajte dosucha.
- Poličky ani nádoby nikdy neumývajte v umývačke riadu.
  - Tieto časti by sa mohli vplyvom tepla zdeformovať.
- Pravidelne čistite povrchy, ktoré môžu prísť do styku s potravinami a prístupnými odvodňovacími systémami.
- Ak je spotrebič vybavený lampou LED, neodstraňujte kryt lampy ani lampu LED a nepokúšajte sa ju opraviť alebo vymeniť. Obráťte na zákaznícke informačné centrum spoločnosti LG Electronics.

## Zneškodnenie starého spotrebiča



- Tento symbol prečiarknutého odpadkového koša na kolieskach znamená, že odpad z elektrických a elektronických zariadení (WEEE) musí byť zneškodnený samostatne od komunálneho odpadu.
- Staré elektrické produkty môžu obsahovať nebezpečné látky, preto správne zneškodnenie vášho starého spotrebiča pomôže zabrániť potenciálnym negatívnym dopadom na prostredie a ľudské zdravie. Váš starý spotrebič môže obsahovať diely, ktoré možno opätovne použiť na opravu iných produktov, a iné cenné materiály, ktoré možno recyklovať s cieľom chrániť obmedzené zdroje.
- Svoj spotrebič môžete zaniest' do predajne, kde ste produkt zakúpili, alebo sa môžete obrátiť na oddelenie odpadov miestnej samosprávy a požiadať o informácie o najbližšom zbernom mieste odpadu z elektrických a elektronických zariadení (WEEE). Najnovšie informácie platné pre vašu krajinu nájdete na stránke [www.lg.com/global/recycling](http://www.lg.com/global/recycling)

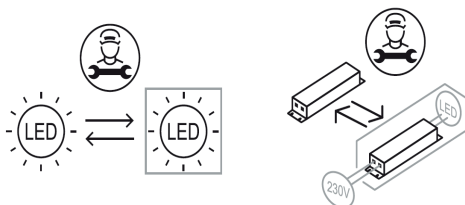
## Starostlivosť o zákazníka a servis

Obráťte sa na zákaznícke informačné centrum spoločnosti LG Electronics.

- Ak chcete nájsť informácie o autorizovanom servisnom stredisku spoločnosti LG, navštívte našu webovú stránku na adrese [www.lg.com](http://www.lg.com).
- Rozoberať, opravovať alebo upravovať spotrebič by mal iba kvalifikovaný servisný personál z autorizovaného servisného strediska spoločnosti LG.
- Minimálna záručná doba na tento chladiaci spotrebič je 24 mesiacov.
- Ak si chcete kúpiť náhradné diely, obráťte sa na zákaznícke informačné centrum spoločnosti LG Electronics alebo našu webovú stránku na adrese [www.lg.com](http://www.lg.com).
- Náhradné diely uvedené v nariadení EÚ 2019/2019 sú k dispozícii 7 rokov (iba tesnenia dverí sú k dispozícii 10 rokov).

### POZNÁMKA

- Ak chcete získať ďalšie informácie o energetickej účinnosti spotrebiča, navštívte stránku <https://ec.europa.eu> a na vyhľadanie použite názov modelu (platné od 1. marca 2021).
- Nariadenie EÚ 2019/2019, platné od 1. marca 2021, sa týka tried energetickej účinnosti podľa nariadenia EÚ 2019/2016.
- Naskenujte QR kód na energetickom štítku dodanom so spotrebičom, ktorý poskytuje webový odkaz na informácie týkajúce sa výkonu spotrebiča v databáze EÚ EPREL. Energetický štítok uschovajte pre použitie v budúcnosti spolu so všetkou ostatnou dokumentáciou dodanou so spotrebičom (platné od 1. marca 2021).
- Názov modelu je uvedený na výrobnom štítku spotrebiča.
- Tento výrobok obsahuje svetelný zdroj s triedou energetickej účinnosti G.





UPORABNIŠKI PRIROČNIK

# HLADILNIK IN ZAMRZOVALNIK

**Pred uporabo naprave skrbno preberite ta uporabniški priročnik in ga hranite v bližini, da vam bo vedno na vpogled.**

[www.lg.com](http://www.lg.com)

Sklicujte se na priročnik o lastnostih na internetni strani LG za bolj podrobne informacije.

Copyright © 2019-2023 LG Electronics Inc. All Rights Reserved

# VSEBINSKO KAZALO

Ta priročnik lahko vsebuje slike ali vsebino, ki se razlikuje od modela, ki ste ga kupili.

Ta priročnik lahko proizvajalec dopolnjuje.

<b>VARNOSTNA NAVODILA.....</b>	<b>3</b>
Pomembna varnostna navodila .....	3
<b>NAMESTITEV .....</b>	<b>9</b>
Dimenzije in razdalje .....	9
Temperatura v ambientu .....	9
<b>DELOVANJE.....</b>	<b>10</b>
Opombe za delovanje.....	10
Predal dodatne svežine ( * ) .....	11
Predal za svežo zelenjavo ( * ) .....	11
Nadzorna plošča .....	13
<b>PAMETNE FUNKCIJE .....</b>	<b>15</b>
Aplikacija LG ThinQ .....	15
<b>VZDRŽEVANJE .....</b>	<b>17</b>
Opombe za čiščenje .....	17
Odstranjevanje vašega starega aparata.....	17
<b>ODPRAVLJANJE TEŽAV .....</b>	<b>18</b>

## Dodatne Informacije Iz Priročnika

To je skrajšana verzija priročnika za lastnika.  
Za več informacij prosim, da obiščete internetno stran LG na <http://www.lg.com>



## Odpravljanje težav



Naslednja varnostna navodila so namenjena preprečevanju nepredvidenih tveganj ali škode zaradi nevarnega ali nepravilnega delovanja naprave.

Navodila so ločena na oznaki 'OPOZORILO' in 'POZOR', kot je opisano v nadaljevanju.

 Prikazani simboli nakazujejo stanja in dejavnosti, ki lahko povzročijo tveganje. Da bi se izognili tveganju, sledite navodilom in skrbno preberite del s tem simbolom.

### OPOZORILO

Označuje, da lahko zaradi neupoštevanja navodil pride do hudih poškodb ali smrti.

### POZOR

Označuje, da lahko zaradi neupoštevanja navodil pride do lažjih poškodb ali poškodb naprave.

## Pomembna varnostna navodila

### OPOZORILO

Da bi pri uporabi naprave zmanjšali nevarnost eksplozije, požara, električnega udara ali opeklin, upoštevajte osnovne varnostne ukrepe, vključno z naslednjimi:

#### Otroci v gospodinjstvu

- Naprave ne smejo uporabljati osebe (vključno z otroki) z zmanjšanimi telesnimi, čutnimi ali duševnimi sposobnostmi ali osebe s pomanjkanjem izkušenj in znanja, razen če jih pri uporabi nadzoruje ali jim svetuje oseba, odgovorna za njihovo varnost. Nadzorujte otroke in poskrbite, da se z napravo ne bodo igrali.
- Če je naprava opremljena s ključavnico (samo nekateri modeli), skrijte ključ, da bo nedosegljiv za otroke.

### **Za uporabo v Evropi:**

- Napravo lahko uporabljajo otroci, stari 8 let in več, ter osebe z zmanjšanimi telesnimi, čutnimi ali duševnimi sposobnostmi ali osebe s pomanjkanjem izkušenj in znanja, če imajo nadzor ali napotila glede varne uporabe ter se zavedajo nevarnosti uporabe. Otroci se ne smejo igrati z napravo. Otroci naprave ne smejo čistiti ali vzdrževati brez nadzora.

- Otrokom, starim 3 do 8 let, je dovoljeno polniti in prazniti hladilne naprave.

### **Namestitev**

- Napravo naj prenašata dve ali več oseb s trdnim oprijemom.
- Poskrbite, da je vtičnica ustrezno ozemljena in da priključek na napajalnem kablu ni poškodovan ali odstranjen. Za več podrobnosti o ozemljitvi se obrnite na informacijski center za stranke LG Electronics.
- Naprava je opremljena z napajalnim kablom, ki ima prevodnik ozemljitve in ozemljitveni vtič. Vtič priključite v ustrezno vtičnico, ki je nameščena in ozemljena v skladu z vsemi lokalnimi predpisi ter odloki.
- Če je napajalni kabel poškodovan ali vtikač razrahljan, napajalnega kabla ne uporabljajte. Obrnite se na pooblaščen servisni center.
- Ne vključite naprave v vtikalno dozo z več vtikači, ki nima električnega kabla (montiranega).
- Napajalnega kabla ne spreminjajte ali podaljšujte.
- Naprava mora biti povezana s temu namenjeno vrsto napajanja, ki je ločeno zlita.
- Ne uporabljajte multi vtikalne doze, ki ni pravilno ozemljena (prenosna). V primeru, da uporabljate pravilno ozemljeno multi vtikalno dozo (prenosna), uporabljajte multi vtikalno dozo s trenutno kapaciteto električnega kabla za stroj ali višjo in samo za napravo uporabite multi vtikalno dozo.
- Napravo namestite tam, kjer boste imeli lahek dostop do vtiča.
- Pazite, da vtiča ne obrnete na glavo ali da se naprava ne nagiba proti njemu.
- Napravo namestite na trda in ravna tla.
- Naprave ne postavljajte na vlažna in prašnata mesta. Naprave ne namestite ali hranite zunaj ali na katerem koli mestu, kjer bi bila podvržena vremenskih razmeram, kot so neposredna sončna svetloba, veter, dež ali temperature pod ničlo.

- Naprave ne izpostavljajte neposredni sončni svetlobi ali toploti, ki jo oddajajo toplotne naprave, kot so štedilniki ali grelniki.
- Pazite, da med namestitvijo ne izpostavljate hrbtne strani naprave.
- Pazite, da vam med montažo in demontažo ne padejo vrata naprave.
- Pazite, da med montažo in demontažo vrat naprave ne uščipnete, stisnete ali poškodujete napajalnega kabla.
- Ne povezujte adapterja za vtikač ali druge dodatke z električnim vtikačem.

### **Delovanje**

- Naprave ne uporabljajte za noben drug namen (npr. za shranjevanje medicinskih materialov ali materialov za poskuse in pošiljanje), razen za uporabo v gospodinjstvu.
- Med grmenjem, bliskanjem ali daljšim obdobjem neuporabe napravo vedno odklopite iz napajanja.
- Vtiča ali kontrolnikov naprave se ne dotikajte z mokrimi rokami.
- Napajalnega kabla ne upogibajte in nanj ne odlagajte težkih predmetov.
- Če v električne dele naprave vdre voda, izključite vtič in stopite v stik z informacijskim centrom za stranke LG Electronics.
- Rok ali kovinskih predmetov ne postavljajte znotraj področja hladnega zraka, na pokrov ali na vročo rešetko na hrbtni strani naprave.
- Ne uporabljajte prevelike sile in ne udarjajte po hrbtni strani naprave.
- Živih živali, kot so hišni ljubljenci, ne postavljajte v napravo.
- Ko odpirate ali zapirate vrata, pazite na varnost otrok v bližini. Vrata lahko otroka udarijo in poškodujejo. Nikomur ne dovolite obešanja na nobena vrata, saj se lahko sicer naprava prevrne in povzroči hude telesne poškodbe.
- Pazite, da se otroci ne ujamejo v napravo. Otrok, ujet v napravi, se lahko zaduši.
- Ne nameščajte težkih ali lomljivih predmetov, posod, ki so napolnjene s tekočino, gorljivih snovi, vnetljivih predmetov (kot so sveče, svetilke itd.) ali grelne naprave (kot so pečice, grelniki itd.) na napravo.
- V primeru uhajanja plina (izobutan, propan, zemeljski plin itd.) se ne dotikajte naprave ali vtiča ter takoj prezračite prostor. Ta naprava uporablja plin v hladilnem sredstvu (izobutan, R600a). Čeprav uporablja majhno količino plina, je še vedno vnetljiv. Uhajanje plina med prevozom, namestitvijo ali delovanjem lahko zaradi iskrenja povzroči požar, eksplozijo ali poškodbe.

- V bližini naprave ne uporabljajte ali shranjujte vnetljivih ali gorljivih snovi (eter, benzen, alkohol, kemikalije, utekočinjeni naftni plin, vnetljivo razpršilo, insekticid, osvežilec zraka, kozmetika itd.).
- Če zaznate neobičajen hrup, vonj ali dim, takoj izključite vtič in se obrnite na informacijski center za stranke LG Electronics.
- Ledomat in posodo avtomata za vodo napolnite samo s pitno vodo.
- Ne poškodujte hladilnega krogotoka.
- Med uporabo v notranjost naprave ne postavljajte drugih elektronskih naprav (grelec, mobilni telefon).

### **Vzdrževanje**

- Pred čiščenjem naprave ali zamenjavo notranje lučke (če je nameščena) iztaknite napajalni kabel.
- Po odstranitvi vlage ali prahu vtič previdno priključite v vtičnico.
- Naprave nikoli ne izključite z vlečenjem za napajalni kabel. Vtič vedno trdno primite in ga iztaknite iz vtičnice.
- Ne škropite z vodo ali vnetljivimi snovmi (zobna pasta, alkohol, razredčevalec, benzol, vnetljiva tekočina, brusilo, itd.) v notranjosti ali zunanosti naprave, da bi jo očistili.
- Naprave ne čistite s krtačami, krpami ali gobicami s hrapavo površino ali iz kovinskega materiala.
- Napravo sme razstavljati, popravljati ali spreminjati samo usposobljeno servisno osebje iz servisnega centra LG Electronics. Če napravo premikate in nameščate na drugo lokacijo, stopite v stik z informacijskim centrom za stranke LG Electronics.
- Za sušenje notranjosti naprave ne uporabljajte sušilca za lase, prav tako pa v notranjost naprave ne postavljajte sveče, da bi odstranili neprijetne vonjave.
- Za pospešitev odmrzovanja ne uporabljajte mehanskih pripomočkov ali drugih sredstev.

### **Odstranjevanje**

- Ko boste napravo odlagali, odstranite tesnila vrat ter pustite police in košare na njihovih mestih, otroke pa držite proč od naprave.
- Ves embalažni material (plastične vrečke in stiropor) odložite na mesto izven dosega otrok. Embalaža lahko povzroči zadušitev.

### **Tehnična varnost**

- Prezračevalne odprtine v ohišju naprave ali v vgrajeni strukturi naj bodo vedno proste.
- Ne uporabljajte električnih naprav znotraj hladilnika.



- Hladilno tekočino in izolacijski plin, ki se uporabljata v napravi, je treba pravilno odstraniti. Preden ju zavržete, se posvetujte s pooblaščenim zastopnikom ali usposobljeno osebo.
- Hladilna tekočina, ki uhaja iz cevi, se lahko vname ali povzroči eksplozijo.
- Količina hladilnega sredstva je navedena na informacijski ploščici v notranjosti naprave.
- Nikoli ne vklopite naprave, ki kaže kakršne koli znake poškodb. Če ste v dvomih, se posvetujte s trgovcem.
- Naprava je namenjena le za uporabo v gospodinjstvu in v podobnih prostorih. Naprave ne smete uporabljati za komercialne namene in strežbo ali za potovanja, kot recimo s počitniškimi prikolicami ali čolni.
- V tej napravi ne hranite eksplozivnih snovi, kot so pločevinke z vnetljivim plinom.
- Hladilna naprava ni namenjena za vgradnjo.

### **Tveganje požara in vnetljivi materiali**



Prikazani simbol vas obvešča o vnetljivih materialih, ki se lahko vžgejo in povzročijo požar, če ste neprevidni.

- Ta naprava vsebuje majhno količino izobutana v hladilnem sredstvu (R600a), toda je tudi vnetljiv. Med prevažanjem ali namestitvijo naprave bodite posebej pozorni, da ne poškodujete nobenega dela krogotoka hladilnega sredstva.
- Če odkrijete mesto, kjer pušča, se napravi ne približujte z odprtim plamenom ali morebitnimi viri vžiga ter prostor, kjer je naprava, več minut zračite. Da bi v primeru puščanja v hladilnem krogotoku preprečili nastajanje vnetljive mešanice plina in zraka, mora velikost prostora, kamor boste namestili napravo, ustrezati količini uporabljenega hladilnega sredstva. Prostor, v katerega boste napravo postavili, mora imeti za vsakih 8 g hladilnega sredstva R600a 1 m<sup>2</sup> prostornine.
- Ko nameščate napravo, zagotovite, da napajalni kabel ni zataknjen ali poškodovan.
- Ob zadnji strani naprave ne nameščajte električnih podaljškov in razdelilcev ali električnih generatorjev.

## **⚠ POZOR**

**Da pri uporabi tega izdelka zmanjšate tveganje za lažje telesne poškodbe, okvare ali poškodbe izdelka ali lastnine, upoštevajte osnovna navodila, vključno z naslednjim:**

### **Namestitev**

- Pri prevozu naprave ne nagibajte ali potiskajte.
- Prepričajte se, da del telesa, kot sta roka ali noga ne obtičita, ko premikate napravo.

### **Delovanje**

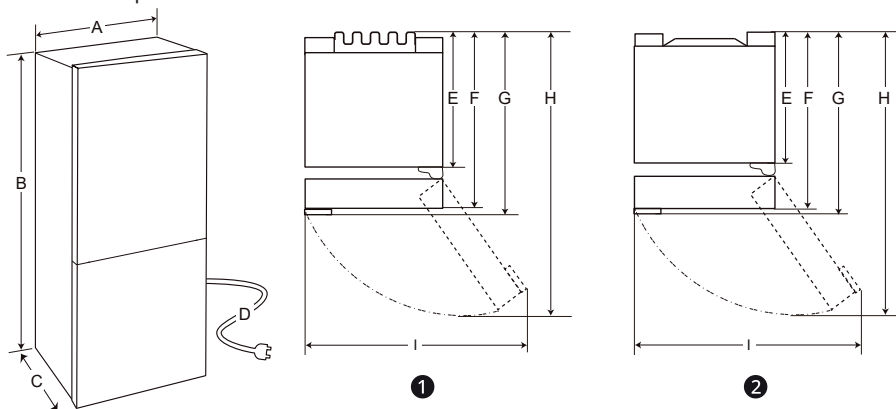
- Zamrznjene hrane ali kovinskih delov zamrzovalnika se ne dotikajte z mokrimi ali vlažnimi rokami. To lahko povzroči ozeblino.
- Ne postavite steklenih posod, steklenic ali pločevink (posebno tistih, ki vsebujejo gazirane pijače) v zmrzovalni del, na police ali v posodo z ledom, kjer bodo izpostavljene temperaturam pod zmrzovanjem.
- Temperirano steklo na sprednji strani vrat naprave ali policah se lahko poškoduje z udarcem. Če se zdrobi, se ga ne dotikajte z rokami.
- Ne obešajte se na vrata naprave, skladiščni prostor ali police in se ne vzpenjajte nanje.
- Ne hranite pretirane količine steklenic z vodo ali posod za prilogo v košarah vrat.
- Živalim preprečite grizljanje napajalnega kabla ali cevi za vodo.
- Vrat ne odpirajte ali zapirajte s pretirano silo.
- Če je tečaj vrat naprave poškodovan ali deluje nepravilno, prenehajte z uporabo in se obrnite na servisni center LG Electronics.
- Ne čistite steklenih polic ali pokrival s toplo vodo, ko so ta hladna.
- Nikoli ne jejte zamrznjene hrane takoj po tem, ko jo vzamete iz zamrzovalnika.
- Prepričajte se, da roka ali noga ne obtičita ob odpiranju ali zapiranju vrat naprave.

### **Vzdrževanje**

- Ne vstavljajte polic postavljenih na glavo. Police lahko padejo.
- Če želite odstraniti zmrzal iz notranjosti naprave, se obrnite na informacijski center za stranke LG Electronics.

## Dimenzije in razdalje

Premajhna razdalja od bližnjih predmetov lahko povzroči zmanjšanje sposobnosti zmrzovanja in poveča stroške za elektriko. Omogočite preko 50 mm razmika med vsako bližnjo steno, ko nameščate napravo.



	1		2	
	Velikost [mm]			
	Stranski ročaj	Zunanji ročaj	Stranski ročaj	Zunanji ročaj
A	595	595	595	595
B	1 860 / 2 030	1 860 / 2 030	1 860 / 2 030	1 860 / 2 030
C	682	718	675	712
D	2 100	2 100	2 100	2 100
E	616	616	610	610
F	682	682	675	675
G	-	718	-	712
H	1 230	1 237	1 225	1 232
I	995	995	995	995

### OPOMBA

- Meritve v zgornji tabeli so približne.

## Temperatura v ambientu

- Naprava je oblikovana, da deluje v omejenem temperaturnem obsegu v ambientu, odvisno od klimatske cone.
- Na notranjo temperaturo lahko vpliva lokacija naprave, temperatura v ambientu, pogostost odpiranja vrat in tako dalje.
- Klimatski razred lahko najdete na etiki.

Klimatski razred	Obseg temperature v ambientu °C
SN (Povečana Temperatura)	+10 - +32
N (Temperatura)	+16 - +32
ST (Subtropska)	+16 - +38
T (Tropska)	+16 - +43 / +10 - +43*

\*Avstralija, Indija, Kenija

### OPOMBA

Naprave, ocenjene od SN do T, so namenjene, da se uporabijo na sobni temperaturi med 10 °C in 43 °C.

## Opombe za delovanje

- Ko je med poletjem visoka vlažnost, lahko pride do zmrzali, če vrat ne zaprete popolnoma ali jih prepogosto odpirate.
- Zagotovite dovolj prostora med hrano na policah in v košarah vrat, da jih boste lahko popolnoma zaprli.
- Če ostanejo vrata odprta dlje časa, lahko to povzroči znaten dvig temperature v predalih naprave.
- Če ostane hladilna naprava dlje časa prazna, jo izklopite, odtalite, očistite, posušite in pustite z odprtimi vrati, da preprečite nastanek plesni znotraj naprave.

## Nasveti za varčevanje z energijo

- Zagotovite dovolj prostora med shranjeno hrano. Tako bo lahko hladen veter krožil enakomerno, s čimer boste zmanjšali račun za elektriko.
- Vročo hrano shranite v naprave le, ko se ohladi, da preprečite roso ali zmrzal.
- Pri shranjevanju živil v zamrzovalnik, nastavite temperaturo zamrzovalnika na nižjo, kot je navedena na živilih.
- Ne postavljajte živil blizu temperaturnega senzorja hladilnika. Ohranite razdaljo najmanj 3 cm od senzorja.
- Dovoljeni razpon dviga temperature po odmrzovanju je naveden v specifikacijah naprave. Če želite zmanjšati vpliv dviga temperature na shranjena živila, jih zaprite v posodo ali pa shranjena živila zavijte v več slojev.
- Avtomatični sistem odmrzovanja v napravi zagotavlja, da oddelki ostanejo brez kopičenja ledu ob normalnih pogojih delovanja.
- Za najučinkovitejšo porabo energije hranite vse notranje dele (npr. posode na vratih, predale in police) na prvotnem mestu.
- Ne nastavljajte temperature naprave nižje, kot je treba.

## Učinkovito shranjevanje živil

- Zamrznjeno in hlajeno hrano hranite v zaprtih posodah.
- Preverite rok uporabe in deklaracijo (napotki za shranjevanje) še preden boste začeli shranjevati hrano v napravi.
- Živil, ki se zlahka pokvarijo pri nizki temperaturi, ne shranjujte za dolgo (za več kot štiri mesece).
- Hlajeno ali zamrznjeno hrano postavite v hladilnik ali zamrzovalnik takoj po nakupu.

- Surovo meso in ribe shranite v hladilnik v ustreznih posodah, da ne pridejo v stik z drugimi živali oziroma povzročijo kapljanja na druga živila.
- Ne zamrzujte živil, ki so bila popolnoma odtaljena. Odtaljena živila, ki jih boste ponovno zamrzovali, bodo izgubila svoj okus in hranilne vrednosti.
- Ne shranjujte zelenjave, zavite v časopis. Tiskarski materiali časopisov in druge tuje snovi se lahko prenesejo na živila in jih onesnažijo.
- Naprave ne prenapolnite. Hladen zrak ne more pravilno krožiti, če je naprava prenapolnjena.
- Če boste nastavili pretirano nizko temperaturo, bodo živila zamrznila. Temperature ne nastavite na nižjo, kot je potrebno za pravilno shranjevanje živil.
- Za več prostora lahko odstranite stojalo za steklenice, pladenj za jajca, pladenj za led in predal za ohranjanje svežine.
- Živila lahko zamrznejo ali se pokvarijo, če jih boste shranjevali pri neustrezni temperaturi. Nastavite ustrezno temperaturo za shranjevanje živil.

## Največja zmogljivost zamrzovanja

- Funkcija Express Freeze bo zamrzovalnik nastavila na največjo zmogljivost zamrzovanja. To običajno traja do 24 h in se nato samodejno izklopi.
- Če želite uporabiti največjo zmogljivost zamrzovanja, je treba funkcijo Express Freeze vklopiti sedem ur, preden se sveži proizvodi dajo v zamrzovalnik.

## Zamrzovanje največje količine živil

- Za boljše kroženje zraka vstavite vse predale.
- Če nameravate shranjevati večje količine živil, iz naprave odstranite vse predale ter živila naložite neposredno na polico (ali police) zamrzovalnika.

## OPOMBA

- Če želite odstraniti predale, najprej iz predalov odstranite živila in nato predale previdno izvlecite. V nasprotnem primeru se lahko poškodujete oziroma poškodujete predale.
- Oblika vsakega predala je lahko različna, zato jih pravilno vstavite.

## Nastavitev temperature

- Tukaj se nastavi temperatura hladilnika ali temperatura zamrzovalnika.
- Če želite prilagoditi temperaturo, pritisnite gumb **Fridge** ali gumb **Freezer**.

- Temperaturo lahko prilagodite.
  - Hladilnik: od 1 °C do 7 °C
  - Zamrzovalnik: od -15 °C do -23 °C
- Začetna temperatura je nastavljena.
  - Hladilnik: 3 °C
  - Zamrzovalnik: -18 °C

Dejanska notranja temperatura je odvisna od stanja hrane, saj je navedena nastavljena temperatura ciljna temperatura, ne pa dejanska temperatura v hladilniku.

### OPOMBA

- Nastavljiva temperatura se lahko razlikuje, odvisno od naprave.
- Za optimalno shranjevanje hrane priporočamo povečanje ali znižanje za 1 °C ali za eno stopnjo od privzete temperature za vsak predal.
- Po priključitvi naprave v električno omrežje, počakajte 2 ali 3 ure preden boste vanjo shranili hrano.
- Za izdelavo ledu v normalnih pogojih mora biti temperatura zamrzovalnika nastavljena na -18 °C ali nižje.

### Alarm previsoke temperature

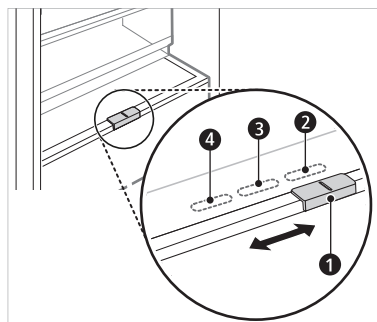
Ko se temperatura zamrzovalnika zaradi napake napajanja preveč zviša, lučka LED za temperaturo zamrzovalnika utripa in oglasi se alarm.

- Pritisnite gumb **Freezer** za izklop.
- Če je temperatura dovolj hladna, se bosta utripanje in alarm samodejno izklopila.
- Ta funkcija deluje:
  - Ko je hladilnik vklopljen.
  - Ko se zamrzovalnik pregreje.
  - Ko pride do daljšega izpada električnega napajanja.
  - Ko je v zamrzovalnik vstavljena prevelika količina tople hrane.
  - Ko so vrata zamrzovalnika predolgo ali prepogosto odprta.

### Predal dodatne svežine ( \* )

Kot hladilni prostor lahko temperaturo v predalu dodatne svežine uravnavate tako, da potisnete ročico ①, ki se nahaja pred predalom, v katero koli smer.

Če zelenjavo hranite pri nastavitvi za meso ali ribe, lahko pride do poškodb izdelkov zaradi premočnega hlajenja.



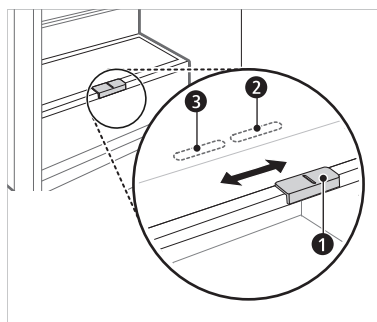
- ② za hranjenje zelenjave. (Priporočljivo)
- ③ za hranjenje rib.
- ④ za hranjenje mesa.

### OPOMBA

- ( \* ) : Ta lastnost je odvisna od kupljenega modela.

### Predal za svežo zelenjavo ( \* )

V predalu za zelenjavo se vlažnost lahko prilagaja s premikanjem gumba ①.



- ② za hranjenje zelenjave. (Priporočljivo)
- ③ za hranjenje sadja.

### OPOMBA

- ( \* ) : Ta lastnost je odvisna od kupljenega modela.

## Predali za shranjevanje živil

### Shranjevanje hrane v hladilniku

#### • Polica v hladilniku

- Tukaj so shranjena hlajena živila in drugi izdelki.
- Višino police je možno prilagoditi tako, da jo enostavno vstavite v drug utor.
- Shranite živila z višjo vsebnostjo vlage na sprednjem delu police.
- Dejansko število polic se razlikuje od modela do modela.

#### • Držalo za steklenice (\*)

- Tukaj so shranjene visoke steklenice za pijačo ali posode.

#### • Zložljiva polica (\*)

- Tukaj so shranjena hlajena živila in visoki izdelki.

#### • Predal za svežo zelenjavo (\*)

- Tukaj se shranjuje sadje in zelenjava, da je zagotovljena prava svežina, ki se prilagodi z regulatorjem vlažnosti.
- Videz ali sestavni deli naprave se lahko razlikujejo od modela do modela.

#### • Predal dodatne svežine (\*)

- Je hladilni predal, kjer so shranjeni meso, ribe in zelenjava. Predal pomaga ohranjati svežino s prilagajanjem regulatorja vlažnosti, ki se nahaja na zadnji strani hladilnega predala.
- Za več prostora lahko v hladilnem območju odstranite polico za hladilni predal.

#### • Premikajoči se podstavek za jajca

- Tukaj so shranjena jajca.
- Lahko ga premikate in uporabljate na želenem položaju. Vendar ga ne uporabljajte kot zbiralnik za led, ali ga postavljajte na najvišjo polico v zamrzovalniku ali na polico za zelenjavo.

#### • Hladilna košara v vratih

- Tukaj se shranjujejo manjša pakiranja hlajenih živil, pijače in omake v posodah.

#### • Zbiralnik za vodo (\*)

- Tukaj je shranjena voda zbiralnika za vodo ali samodejnega ledomata. Polnjenje poteka ročno (le za modele, ki niso vodovodni).

### Shranjevanje hrane v zamrzovalniku

#### • Pladenj za led

- Tukaj je izdelan in shranjen led.
- Za več prostora lahko odstranite pladenj za led ali vedro za kocke ledu.

#### • Predal zamrzovalnika

- Namenjena je za dolgoročno shranjevanje zamrznjenih živil.
- Če želite živila hitro zamrzniti, jih shranite na levo stran zgornjega predala. Živila bodo v predalu najhitreje zamrznila.

### OPOMBA

- (\*) : Ta lastnost je odvisna od kupljenega modela.
- Za več informacij o drugih predalih obiščite spletno mesto lg.com in prenesite uporabniške priročnike.

## Nadzorna plošča

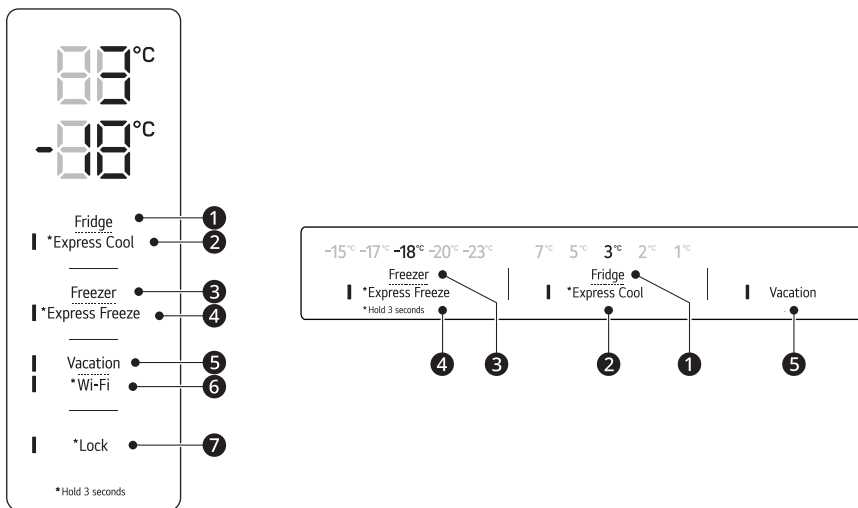
Dejanska nadzorna plošča se lahko razlikuje od modela do modela.

### Nadzorna plošča in funkcije

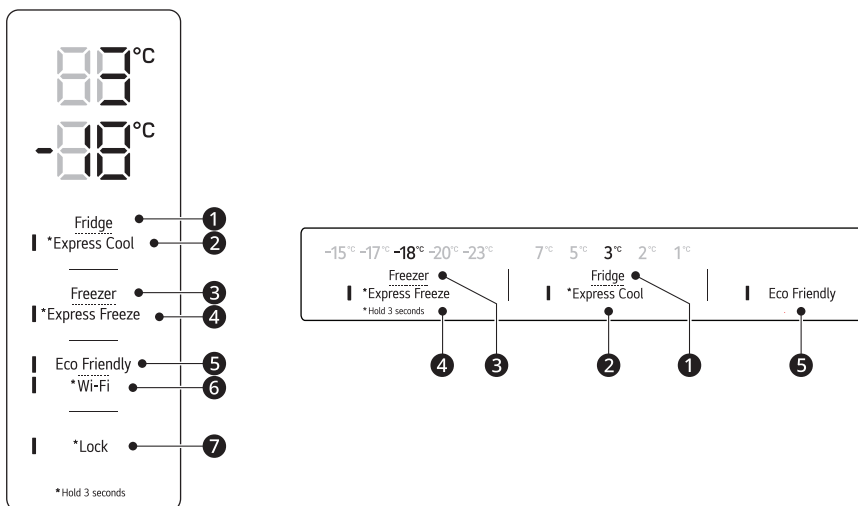
\*1 Ta funkcija je na voljo samo pri določenih modelih.

Nadzorna plošča se nahaja na vratih hladilnika ali v hladilniku, odvisno od modela.

#### Vrsta A



#### Vrsta B



**1 Fridge**

Zaporedoma pritisčajte ta gumb, da izberete želeno temperaturo med 1 °C in 7 °C.

- Privzeta temperatura hladilnika je 3 °C.

**2 Express Cool**

Ta funkcija lahko v kratkem času ohladi veliko količino hrane, kot je zelenjava, sadje itn.

- Ta funkcija je omogočena in onemogočena vsakič, ko pritisnete gumb za 3 sekunde.

**3 Freezer**

Zaporedoma pritisčajte ta gumb, da izberete želeno temperaturo med -15 °C in -23 °C.

- Privzeta temperatura zamrzovalnika je -18 °C.

**4 Express Freeze**

Ta funkcija lahko hitro zamrzne veliko količino ledu ali zamrznjenih živil.

- Pritisnite gumb **Express Freeze**, da aktivirate funkcijo za 24 ur. Funkcija se po 24 urah samodejno izklopi.
- Ta funkcija je omogočena in onemogočena vsakič, ko pritisnete gumb za 3 sekunde.
- Kadar je ta način vklopljen, se lahko pojavi določen zvok in poraba energije se lahko poveča.

**5 Vacation**

Ta funkcija pride prav tedaj, ko ste na počitnicah. Kadar je vklopljena, znaša temperatura v hladilniku 7 °C, v zamrzovalniku pa -15 °C. Kadar je funkcija izklopljena, se temperaturi v hladilniku in zamrzovalniku vrmeta na predhodne nastavitve.

- Ta funkcija je omogočena in onemogočena vsakič, ko pritisnete gumb.
- Kadar je ta način vklopljen, drugi gumbi, z izjemo gumbov **Lock** in **Wi-Fi**, ne delujejo.
- Funkcija **Eco Friendly** je bila preimenovana v **Vacation**.

**⚠ POZOR**

- Kadar je ta funkcija vklopljena, bodite pozorni pri shranjevanju živil, ki jih je treba shranjevati pri nižji temperaturi od privzete.
- Čim se vrnete domov, ne pozabite izklopiti te funkcije, da s tem odklenete ostale gumbe in vrnete hladilnik na njegove prejšnje temperaturne nastavitve.

**6 Wi-Fi\*1**

Ta gumb poveže napravo z domačim omrežjem Wi-Fi. V poglavju **SMART FUNCTIONS** najdete informacije o začetni nastavitvi aplikacije **LG ThinQ**.

**7 Lock\*1**

Ta zaklene gumbe na nadzorni plošči.

- Če želite zakleniti gumbe na nadzorni plošči, pritisnite in za 3 sekunde pridržite gumb **Lock**, dokler funkcija ni aktivirana.
- Če želite onemogočiti funkcijo, pritisnite in za 3 sekunde pridržite gumb **Lock**, dokler funkcija ni deaktivirana.

**OPOMBA**

- Za optimalno shranjevanje hrane priporočamo povečanje ali znižanje za 1 °C ali za eno stopnjo od privzete temperature za vsak predal.
- Prikazana temperatura je ciljna temperatura, ne pa dejanska temperatura v napravi.
- Dejanska temperatura v napravi je odvisna od naslednjih dejavnikov: sobna temperatura, količina živil in pogostost odpiranja vrat, prostor, kjer se nahaja naprava. Temperaturo morate nastaviti glede na te dejavnike.
- Nadzorna plošča se zaradi varčevanja z energijo samodejno izklopi.
- Če se boste ob brisanju dotaknili nadzorne plošče s prstom ali kožo, bo morda začela delovati izbrana funkcija.



## Aplikacija LG ThinQ

Ta funkcija je na voljo le pri modelih s povezavo Wi-Fi.

Aplikacija **LG ThinQ** vam omogoča, da z napravo komunicirate prek pametnega telefona.

### Funkcije aplikacije LG ThinQ

Z napravo lahko komunicirate preko pametnega telefona.

#### Smart Diagnosis

- Če pri uporabi aplikacije naletite na težave, vam bo funkcija Smart Diagnosis pomagala prepoznati težavo.

#### Nastavitve

- Omogočajo vam, da v aplikaciji nastavite različne možnosti delovanja naprave.

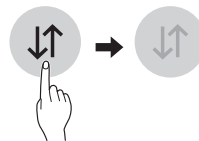
#### OPOMBA

- Če spremenite vaš brezžični rutar, ponudnika internetnih storitev ali geslo, izbrisite prijavljeno napravo iz aplikacije **LG ThinQ** in jo ponovno prijavite.
- Aplikacija je predmet sprememb in izboljšav o katerih vas ne bomo v naprej obveščali.
- Funkcije se pri različnih modelih razlikujejo.

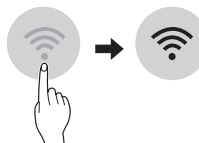
### Pred uporabo aplikacije LG ThinQ

- 1 Preverite razdaljo med napravo in brezžičnim rutarjem (Wi-Fi omrežje).
  - Če je razdalja med napravo in brezžičnim rutarjem predolga, postane moč signala šibka, morda traja dolgo časa, da se registrirate ali pa je instalacija morda neuspešna.


- 2 Ugasnite **Mobilne podatke** ali **Podatki iz mobitela** na vašem pametnem telefonu.



- 3 Povežite vaš mobilni telefon z brezžičnim rutarjem.



#### OPOMBA

- Za potrditev povezave Wi-Fi preverite, ali na nadzorni plošči sveti ikona .
- Naprava podpira samo omrežje 2,4 GHz Wi-Fi. Da preverite frekvenco vašega omrežja, kontaktirajte dobavitelja vaše internetne storitve ali se sklicujte na priročnik o vašem brezžičnem rutarju.
- **LG ThinQ** ne odgovarja za napake v delovanju omrežja, niti za ostale okvare ali težave glede omrežne povezave.
- Če se naprava s težavo poveže z omrežjem Wi-Fi, je mogoče preveč oddaljena od usmerjevalnika. Kupite brezžični Wi-Fi repetitor za podaljšanje dometa in izboljšanje moči signala Wi-Fi.
- Povezave z omrežjem Wi-Fi morda ni mogoče vzpostaviti ali pa je ta morda zaradi domačega omrežnega okolja prekinjena.
- Odvisno od parametrov, ki jih določa ponudnik internetnih storitev, omrežna povezava morda ne bo pravilno delovala.
- Stanje brezžičnega omrežja lahko tudi upočasnjuje delovanje storitve.
- Naprava ne more biti registrirana zaradi težav s prenosom brezžičnega signala. Izklopite napravo in počakajte približno minuto, preden ponovno poskusite. Če je omogočen požarni zid na vašem brezžičnem rutarju, ga onemogočite ali k njemu dodajte izjemo.
- Če je omogočen požarni zid na vašem brezžičnem rutarju, ga onemogočite ali k njemu dodajte izjemo.
- Ime brezžičnega omrežja (SSID) mora biti kombinacija angleških črk in števil. (Ne uporabljajte posebnih znakov)


- Vmesnik za uporabnika pametnega telefona (UI) se lahko razlikuje glede na mobilni operacijski sistem (OS) in izdelovalca.
- Če je varnostni protokol usmerjevalnika nastavljen na **WEP**, morda ne bo mogoče vspostaviti omrežja. Prosimo, da ga spremenite v drug varnosti protokol (**WPA2** je priporočen) in izdelek ponovno registrirajte.

## Namestitev aplikacije LG ThinQ

Aplikacijo **LG ThinQ** poiščite v trgovini Google Play & Apple App na pametnem telefonu.

- Sledite napravam za prenos in namestitev aplikacije.

## Povezava z Wi-Fi

Če gumb **Wi-Fi** uporabljate skupaj z aplikacijo **LG ThinQ**, lahko napravo povežete v domače Wi-Fi omrežje. Ikona  prikazuje status omrežne povezave naprave. Ko je naprava povezana v omrežje Wi-Fi, ikona utripa.


## Začetna registracija naprave

- Zaženite aplikacijo **LG ThinQ** in sledite navodilom v aplikaciji, da registrirate napravo.

## Ponovno registrirajte napravo ali registrirajte drugega uporabnika

- Pritisnite in držite **Wi-Fi** gumb za 3 sekunde, da ga začasno izklopite. Zaženite aplikacijo **LG ThinQ** in sledite navodilom v aplikaciji, da registrirate napravo.

## OPOMBA

- Da onemogočite funkcijo Wi-Fi, pritisnite in za 3 sekunde pridržite gumb **Wi-Fi**. Ikona  bo izklopljena.

## Informacije o obvestilu o odprtokodni programski opremi

Za pridobitev izvorne kode v skladu z GPL, LGPL, MPL in drugimi odprtokodnimi licencami, ki so obvezane razkriti izvorno kodo, ki jo vsebuje ta izdelek, ter za dostop do vseh navedenih licenčnih pogojev, obvestil o avtorskih pravicah in drugih veljavnih dokumentov obiščite spletno mesto <https://opensource.lge.com>.

LG Electronics vam odprto kodo zagotovi tudi na CD-ROM-u na zahtevo preko elektronske pošte na naslov [opensource@lge.com](mailto:opensource@lge.com) ob plačilu zneska, ki pokriva stroške tovrstne distribucije (kot so stroški nosilca, pošiljanja in obdelave).

Ta ponudba je veljavna za vsakega prejemnika teh informacij za obdobje treh let od zadnjega pošiljanja tega izdelka.

## Opombe za čiščenje

- Ko boste odstranjevali polico ali predal iz notranjosti naprave, odstranite vsa shranjena živila iz polic in predalov, da ne poškodujete sebe ali naprave.
  - V nasprotnem primeru lahko zaradi teže shranjenih živil pride do telesnih poškodb.
- Če boste čistili izpušne cevi za zrak naprave s pomočjo sesalca, izključite napajalni kabel iz vtičnice, da preprečite statično razelektritev, ki lahko poškoduje elektroniko ali povzroči električni udar.
- Izvlecite police in predale ter jih umijte z vodo. Preden jih ponovno namestite, jih ustrezno posušite.
- Tesnilo vrat redno obrišite z mokro in mehko brisačo.
- Razlitja in madeži na košari vrat je treba očistiti, saj lahko vplivajo na zmogljivost shranjevanja košar in jih morda tudi poškodujejo.
- Po čiščenju preverite, ali je napajalni kabel poškodovan, vroč ali nepravilno priključen.
- Redno čistite izpušne cevi za zrak na zunanem delu naprave.
  - Blokirane izpušne cevi za zrak lahko povzročijo požar ali poškodbe naprave.
- Če čistite notranjost ali zunanost naprave, je ne obrišite z grobo krtačo, zobno pasto ali vnetljivimi materiali. Ne uporabljajte čistil, ki vsebujejo vnetljive snovi.
  - To morda povzroči razbarvanje ali povzroči škodo na napravi.
  - Vnetljive snovi: alkohol (etanol, metanol, izopropilni alkohol, izobutilni alkohol, itd.), razredčevalec, belilo, benzol, vnetljiva tekočina, razjedljivo sredstvo, itd.
- Za zunanji del naprave uporabite čisto gobo ali mehko krpo in nežen detergent v topli vodi. Ne uporabljajte sredstva za poliranje. Temeljito posušite z mehko krpo.
- Polic ali posod nikoli ne pomivajte v pomivalnem stroju.
  - Deli se lahko izobličijo zaradi toplote.
- Redno čistite površine, ki so v stiku z žvili, in dostopne odtoke.
- Če ima naprava LED lučko, ne odstranjujte pokrova in LED lučke, niti ne poskušajte okvare odpraviti sami. Posvetujte se z informacijskim centrom za podporo strankam LG Electronics.

## Odstranjevanje vašega starega aparata



- Na izdelku prečrtan simbol smetnjaka opozarja, da je treba odpadne električne in elektronske izdelke (OEEI) odstranjevati ločeno od ostalih komunalnih odpadkov.
- Odpadni električni izdelki lahko vsebujejo nevarne snovi, zato s pravilnim odstranjevanjem starega aparata pripomorate k preprečevanju morebitnih negativnih vplivov na okolje in zdravje ljudi. Vaš stari aparat lahko vsebuje dele, ki bi jih bilo mogoče uporabiti za popravilo drugih izdelkov, in druge dragocene materiale, ki jih je mogoče reciklirati in s tem ohranjati omejene vire.
- Vaš aparat lahko odnesete bodisi v trgovino, kjer ste kupili ta izdelek, ali pa se obrnite na lokalni urad za odstranjevanje odpadkov glede podrobnosti o najbližjem pooblaščenem zbirnem mestu za OEEI. Za najnovejše informacije za vašo državo si oglejte [www.lg.com/global/recycling](http://www.lg.com/global/recycling)

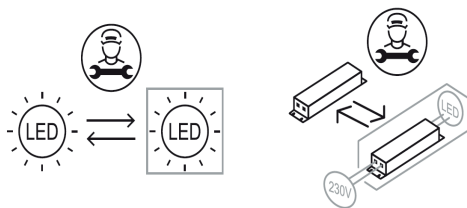
## Skrb za stranke in servis

Obrnite se na informacijski center za stranke LG Electronics.

- Informacije o pooblaščenem servisnem centru LG so na voljo na spletni strani [www.lg.com](http://www.lg.com).
- Napravo lahko razstavi, popravi ali spreminja le usposobljeno servisno osebje v pooblaščenem servisnem centru LG.
- Garancijsko obdobje za hladilno napravo traja najmanj 24 mesecev.
- Za nakup rezervnih delov se obrnite na informacijski center za stranke LG Electronics ali obiščite spletno stran [www.lg.com](http://www.lg.com).
- Rezervni deli, navedeni v uredbi EU 2019/2019, so na voljo najmanj za obdobje 7 let (samo tesnila za vrata so na voljo 10 let).

## OPOMBA

- Za več informacij o energetski učinkovitosti naprave obiščite spletno stran <https://ec.europa.eu> in iskanje opravite na podlagi imena modela (velja od 1. marca 2021).
- Uredba EU 2019/2019, ki velja od 1. marca 2021, se nanaša na razrede energijske učinkovitosti, ki jih ureja uredba EU 2019/2016.
- Skenirajte kodo QR, ki se nahaja na energijski nalepki, dobavljeni z napravo, ki zagotavlja spletno povezavo do informacij, povezanih z zmogljivostjo naprave v podatkovni bazi EU EPREL. Energijsko nalepko skupaj z drugimi dokumenti, ki ste jih prejeli z napravo, shranite za kasnejšo uporabo (velja od 1. marca 2021).
- Ime modela je navedeno na tipski nalepki naprave.
- Ta izdelek vsebuje vir svetlobe, ki se uvršča v razred energijske učinkovitosti G.





MANUALI I PËRDORUESIT

# FRIGORIFERI & NGRIRËSI

**Lexoni këtë manual përdoruesi plotësisht para se të përdorni pajisjen dhe mbajeni në vend të volitshëm për t'iu referuar gjithmonë.**

[www.lg.com](http://www.lg.com)

Për informacion më të detajuar referojuni manualit të prodhuesit në faqen e internetit të LG.

Copyright © 2019-2023 LG Electronics Inc. All Rights Reserved

# TABELA E PËRMBAJTJES

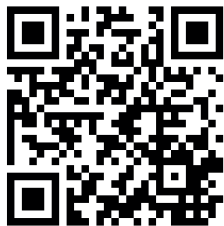
Ky manual mund të përmbajë figura ose materiale të ndryshme nga modeli që keni blerë.

Ky manual është subjekt i rishikimeve nga prodhuesi.

<b>UDHËZIME SIGURIE .....</b>	<b>3</b>
UDHËZIME TË RËNDËSISHME SIGURIE .....	3
<b>INSTALIMI .....</b>	<b>10</b>
Përmasat dhe Distancat .....	10
Temperatura e ambientit .....	10
<b>PËRDORIMI .....</b>	<b>11</b>
Shënime për përdorimin .....	11
Konvertuesi i freskisë ( * ) .....	12
Sirtari i perimeve të freskëta ( * ) .....	12
Paneli i kontrollit .....	14
<b>FUNKSIONET INTELIGJENTE.....</b>	<b>16</b>
Aplikacioni LG ThinQ .....	16
<b>MIRËMBAJTJA .....</b>	<b>18</b>
Shënime për pastrimin.....	18
Hedhja e pajisjes suaj të vjetër.....	18
<b>ZGJIDHJA E PROBLEMEVE.....</b>	<b>19</b>

## Informacion Shtesë I Manualit

Ky është një version i shkurtër i Manualit të Përdoruesit. Për informacion shtesë, ju lutem vizitoni faqen e internetit LG në <http://www.lg.com>




## Zgjidhja e problemeve



Direktivat e mëposhtme të sigurisë janë bërë për të parandaluar rreziqet e paparashikueshme nga përdorimi i pasigurt ose i gabuar i produktit.

Direktivat janë ndarë në 'PARALAJMËRIM' dhe 'KUJDES' siç tregohet më poshtë.

 Ky simbol është për të treguar rastet dhe punimet që mund të shkaktojnë rrezik. Lexoni pjesën me këtë simbol me kujdes dhe ndiqni udhëzimet për të shmangur rreziqet.

### PARALAJMËRIM

Kjo tregon se mosndjekja e udhëzimeve mund të shkaktojë dëmtime serioze ose vdekje.

### KUJDES

Kjo tregon që mosndjekja e udhëzimeve mund të shkaktojë lëndime të vogla ose dëmtime në produkt.

## UDHËZIME TË RËNDËSISHME SIGURIE

### PARALAJMËRIM

Për të reduktuar rrezikun e zjarrit, goditjeve elektrike ose dëmtimeve të personave kur përdorni produktin tuaj, duhet të ndiqen masat bazë të sigurisë, përfshirë të mëposhtmet.

#### Fëmijët në shtëpi

- Pajisja nuk është bërë për t'u përdorur nga persona (përfshirë fëmijët) me aftësi të kufizuara fizike, ndijore ose mendore, ose me mungesë përvoja dhe njohurie, përveç nëse mbikëqyren ose udhëzohen në lidhje me përdorimin e pajisjes nga një person përgjegjës për sigurinë e tyre. Fëmijët duhet të mbikëqyren për t'u siguruar që të mos luajnë me pajisjen.
- Nëse pajisja ka bravë (e disponueshme vetëm në disa modele), mbajeni çelësin larg fëmijëve.

## **Për përdorim në Evropë:**

- Kjo pajisje mund të përdoret nga fëmijët e moshës 8 vjeç e sipër dhe nga persona me aftësi të kufizuara fizike, ndijore ose mendore ose me mungesë përvoje dhe njohurie nëse mbikëqyren ose udhëzohen në lidhje me përdorimin e pajisjes në një mënyrë të sigurt dhe i kuptojnë rreziqet që përfshihen. Fëmijët nuk duhet të luajnë me pajisjen. Pastrimi dhe mirëmbajtja nga përdoruesi nuk duhet të bëhet nga fëmijët pa mbikëqyrje.

- Fëmijët e moshës nga 3 deri në 8 vjeç lejohet të mbushin dhe të zbrazin pajisjet ftohëse.

## **Instalimi**

- Kjo pajisje duhet të transportohet vetëm nga dy njerëz ose më shumë duke e mbajtur pajisjen mirë.
- Sigurohuni që priza të jetë e tokëzuar mirë dhe që kunja e tokëzimit në kordonin e energjisë të mos jetë e dëmtuar ose e hequr nga spina. Për më shumë detaje mbi tokëzimin, pyesni në një qendër informacioni për klientin të LG Electronics.
- Kjo pajisje është e pajisur me një kordon energjie që ka një konduktor tokëzimi dhe një spinë tokëzimi. Spina e energjisë duhet të lidhet me një prizë të përshtatshme që është instaluar dhe tokëzuar sipas të gjitha kodeve dhe rregullave vendase.
- Nëse kablllo e energjisë është dëmtuar ose vrima e prizës është shumë e lirë, mos e përdorni kabllon e energjisë dhe kontaktoni një qendër shërbimi të autorizuar.
- Mos e fusni pajisjen në një përshtatës me shumë priza që nuk ka kablllo korrenti (montuar).
- Mos e modifikoni ose zgjatni kordonin e energjisë.
- Pajisja duhet të lidhet me një linjë të dedikuar të energjisë e cila është më vete.
- Mos përdorni një prizë të shumëfishtë që nuk është e tokëzuar mirë (portative). Në rast të përdorimit të një prize të shumëfishtë (portative) të tokëzuar sic duhet, duhet të përdorni prizën e shumëfishtë me kapacitetin aktual të vlerësimit të kodit të rrymës elektrike apo edhe më të lartë dhe të përdorni prizën e shumëfishtë vetëm për pajisjen në fjalë.
- Instalojeni pajisjen në një vend ku është e lehtë të shkëputet spina e energjisë së pajisjes.
- Bëni kujdes të mos e drejtoni spinën e energjisë lart ose ta lini pajisjen të mbështetet mbi spinën e energjisë.
- Montojeni pajisjen mbi dysheme të fortë dhe të niveluar.
- Mos e instaloni pajisjen në një vend të lagur ose me pluhur. Mos e instaloni ose mbani pajisjen në një vend jashtë, ose në një vend



që është subjekt i kushteve të motit si drita direkte e diellit, era, shiu ose temperaturat nën ngrirje.

- Mos e vendosni pajisjen nën dritën direkte të diellit ose mos e ekspozoni ndaj nxehtësisë prej pajisjeve me nxehtësi të tilla si sobat ose ngrohëset.
- Bëni kujdes të mos e ekspozoni pajisjen kur e instaloni.
- Bëni kujdes të mos e lini pajisjen të rrëzohet gjatë montimit ose çmontimit.
- Bëni kujdes të mos kafshoni, shtypni ose dëmtoni kabllin e energjisë gjatë montimit ose çmontimit të derës së pajisjes.
- Mos lidhni një përshtatës prize ose aksesore të tjerë me prizën e korrentit.

### **Përdorimi**

- Mos e përdorni pajisjen për asnjë qëllim (ruajtje të materialeve ose ngarkesave mjekësore ose eksperimentale) përveçse për ruajtjen e ushqimeve shtëpiake.
- Hiqeni spinën e energjisë gjatë stuhive ose rrufeve të mëdha ose kur nuk përdoret për kohë të gjatë.
- Mos e prekni spinën e energjisë ose kontrollet e pajisjes me duar të lagura.
- Mos e përkulni kabllon e korrentit tepër e mos vendosni objekte të rënda mbi të.
- Nëse uji depërton në pjesët elektrike të pajisjes, shkëputeni spinën e energjisë dhe kontaktoni një qendër informacioni për klientin të LG Electronics.
- Mos i vendosni duart ose objekte metalike brenda vendit që nxjerr ajrin e ftohtë, ose mos e mbuloni ose nxehni grilën e shkarkimit mbrapa.
- Mos ushtroni forcë të tepërt ose mos e goditni kapakun e pasmë të pajisjes.
- Mos futni kafshë, si p.sh. kafshë shtëpiake brenda produktit.
- Bëni kujdes për fëmijët pranë kur hapni ose mbyllni derën e pajisjes. Dera mund të godasë fëmijën dhe të shkaktojë lëndime. Mos lini asnjë person të varet tek dyert pasi mund të ndodhë që të bjerë pajisja dhe të shkaktojë lëndime serioze.
- Shmangni rrezikun që fëmijët të bllokohen brenda pajisjes. Një fëmijë i bllokuar brenda pajisjes mund të mbytet.
- Mos vendosni sende të rënda ose delikate, enë të mbushura me lëng, substanca të djegshme, sende të ndezshme (si qirinj, llamba etj.), ose pajisje ngrohjeje (si soba, ngrohës etj.) mbi pajisje.

- Nëse ka një rrjedhje gazi (isobutan, propan, gaz natyror, etj.), mos e prekni pajisjen ose spinën e korrentit dhe ajroseni vendin menjëherë. Kjo pajisje përdor gaz ftohësit (isobutan, R600a). Megjithëse përdor një sasi të vogël gazi, përsëri është gaz i djegshëm. Rrjedhja e gazit gjatë transportit, instalimit ose përdorimit të pajisjes mund të shkaktojë zjarr, shpërthim ose lëndime nëse ndodhin shkëndija.
- Mos përdorni ose ruani substanca që marrin flakë ose të djegshme (eter, benzen, alkool, lëndë kimike, LPG, spërkatës i djegshëm, insekticid, aromatizues, kozmetikë, etj.) pranë pajisjes.
- Hiqeni menjëherë spinën e energjisë dhe kontaktoni një qendër informacioni për klientin të LG Electronics nëse zbuloni ndonjë zhurmë ose erë të çuditshme ose tym që del nga pajisja.
- Mbusheni prodhuesin e akullit ose dispenserin e ujit vetëm me ujë të pijshëm.
- Mos e dëmtoni qarkun e lëngut ftohës.
- Mos vendosni asnjë pajisje elektronike (si ngrohëse ose celular) brenda pajisjes.

### **Mirëmbajtja**

- Shkëputeni kordonin e energjisë para se ta pastroni pajisjen ose para se të ndërroni llambën e brendshme (ku është montuar).
- Fiksojeni mirë spinën e energjisë në prizë pasi ta keni pastruar nga lagështia dhe pluhuri.
- Asnjëherë mos e shkëputni pajisjen duke tërhequr kabllon e energjisë. Gjithmonë kapni spinën e energjisë fort dhe tërhiqeni drejt nga priza.
- Mos hidhni ujë ose substanca të djegshme (pastë dhëmbësh, alkool, hollues, benzol, lëng të ndezshëm, material gërryes, etj.) mbi pjesën e brendshme ose të jashtme të pajisjes për ta pastruar.
- Mos e pastroni pajisjen me furça, leckë ose sfungjerë me sipërfaqe të ashpra ose të cilat janë prej materiali metalik.
- Vetëm personeli i kualifikuar i servisit nga qendra e shërbimit të LG Electronics duhet të bëjë çmontimin, riparimin ose modifikimin e pajisjes. Kontaktoni një qendër informacioni për klientin të LG Electronics nëse e lëvizni ose instaloni pajisjen në një vend tjetër.
- Mos përdorni tharëse flokësh për të tharë pjesën e brendshme të pajisjes ose mos vendosni qiri brenda për të larguar erërat.
- Mos përdorni pajisje mekanike ose mjete të tjera për të përshpejtuar procesin e shkrirjes.

## **Hedhja**

- Kur ta hidhni pajisjen, hiqeni gominën e derës duke i lënë raftet dhe koshat në vend dhe mbajini fëmijët larg nga pajisja.
- Hidhini të gjitha materialet e paketimit (si qeset plastike dhe stiropolin) larg nga fëmijët. Materialet e paketimit mund të shkaktojnë mbytje.

## **Siguria teknike**

- Mbajini pa pengesa hapësirat e ventilimit, në trupin e pajisjes ose në strukturën e integruar.
- Ndalohet përdorimi i pajisjeve elektrike brenda frigoriferit.
- Lëngu ftohës dhe gazi i izolimit i përdorur në pajisje kërkojnë procedura të veçanta për t'u hedhur. Konsultohuni me agjentin e shërbimit ose një person të ngjashëm të kualifikuar para se t'i hidhni.
- Gazi ftohës që del nga tubat mund të marrë flakë ose të shkaktojë shpërthim.
- Sasia e lëngut ftohës në pajisjen tuaj të caktuar është treguar në etiketën e identifikimit brenda pajisjes.
- Asnjëherë mos e ndizni pajisjen kur ka shenja të dukshme dëmtimi. Nëse nuk jeni të sigurt, konsultohuni me shitësin.
- Kjo pajisje është synuar për t'u përdorur në aplikime familjare dhe të ngjashme. Nuk duhet të përdoret për qëllime tregtare ose cateringu apo në ndonjë përdorim të lëvizshëm si për shembull në karavan ose varkë.
- Mos ruani substanca shpërthyes si kanaçe aerosoli me gaz të djegshëm në këtë pajisje.
- Kjo pajisje frigoriferi nuk është projektuar për tu përdorur si pajisje inkaso.

## Rreziku i Zjarrit dhe Materialeve të Djegshme



Ky simbol ju paralajmëron për materialet e djegshme që mund të marrin flakë dhe të shkaktojnë zjarr nëse nuk tregoni kujdes.

- Kjo pajisje përmban një sasi të vogël ftohësi prej isobutani (R600a), por është gjithashtu i djegshëm. Kur transportoni dhe instaloni pajisjen, duhet të bëhet kujdes për t'u siguruar që asnjë pjesë e qarkut të lëngut ftohës të mos dëmtohet.
- Nëse zbulohet se ka një rrjedhje, largoni çdo flakë ose burim të mundshëm ndezjeje dhe ajroseni dhomën në të cilën ndodhet pajisja për disa minuta. Për të shmangur krijimin e një përzierjeje gazi të djegshëm dhe ajri nëse ndodh një rrjedhje në qarkun e lëngut ftohës, madhësia e dhomës në të cilën përdoret pajisja duhet të përkasë me sasinë e lëngut ftohës të përdorur. Sipërfaqja e dhomës duhet të jetë 1 m<sup>2</sup> për çdo 8 g gazi ftohës R600a brenda pajisjes.
- Kur të poziciononi pajisjen, sigurohuni që kabulli i furnizimit të mos jetë i bllokuar ose i dëmtuar.
- Mos vendosni priza të shumëfishta portative apo furnizues portativ me energji në pjesën e pasme të pajisjes.

## **KUJDES**

**Për të pakësuar rrezikun e lëndimeve të lehta te njerëzit, defekteve ose dëmtimeve të produktit ose pronës kur e përdorni produktin, ndiqni masat paraprahe bazë, përfshirë të mëposhtmet:**

### **Instalimi**

- Mos e anoni pajisjen për ta tërhequr ose shtyrë kur e lëvizni.
- Sigurohuni që të mos ju ngecë një pjesë trupi si dora apo këmba kur lëvizni pajisjen.

### **Përdorimi**

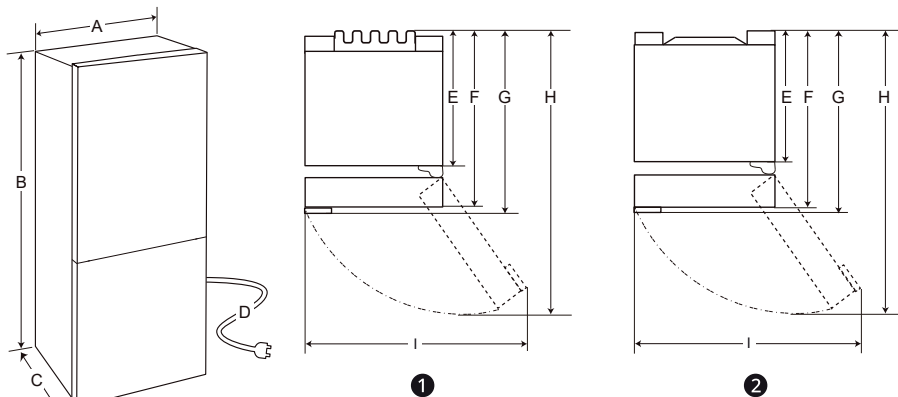
- Mos i prekni ushqimet e ngrira ose pjesët metalike në vendin e ngrirjes me duar të lagura ose të njoma. Mund të shkaktojë kafshim ngrice.
- Mos vendosni enë qelqi, shishe ose kanaçe (sidomos ato që përmbajnë pije të gazuara) në ndarësin e ngrirësit, në raftet apo në koshin e akullit të cilat do të ekspozohen ndaj temperaturave nën zero.
- Xhami i temperuar në anën e përparme të derës së pajisjes ose të rafteve mund të dëmtohet nga ndonjë përplasje e mundshme. Nëse është thyer, mos e prekni me duar.
- Mos u varni në dyert e pajisjes, dhomën e mbajtjes të ushqimeve, raftet ose mos hipni në të.
- Mos mbani tepër sasi shishesh uji ose enë për mbi koshat e derës.
- Mos i lejoni kafshët të ngacmojnë kabllin e energjisë ose tubin e ujit.
- Mos e hapni ose mbyllni derën e pajisjes me tepër forcë.
- Nëse mentesha e derës të produktit dëmtohet ose nuk punon mirë, mos e përdorni dhe kontaktoni një qendër shërbimi të LG Electronics.
- Mos i pastroni raftet ose kapakët prej xhami me ujë të ngrohtë kur janë të ftohtë.
- Asnjëherë mos hani ushqime të ngrira menjëherë pasi janë nxjerrë nga ngrirja.
- Sigurohuni që të mos ju ngecë dora apo këmba kur hapni ose mbyllni derën e pajisjes.

### **Mirëmbajtja**

- Mos futni raftet me përmbys (kokëposhtë). Raftet mund të rrëzohen.
- Për të hequr ngricën nga pajisja, kontaktoni një qendër informacioni për klientin të LG Electronics.

## Përmasat dhe Distancat

Nëse distanca është shumë e vogël mes artikujve që janë afër njëri-tjetrit, kjo mund të çojë në degradim të kapaciteteve ngrirëse dhe në rritjen e kostove të energjisë elektrike. Lejoni një distancë prej 50 mm nga çdo paret i afërt i gjatë kohës që instaloni pajisjen.



	1		2	
	Madhësia [mm]			
	Dorezë xhepi	Dorezë shufër	Dorezë xhepi	Dorezë shufër
A	595	595	595	595
B	1 860 / 2 030	1 860 / 2 030	1 860 / 2 030	1 860 / 2 030
C	682	718	675	712
D	2 100	2 100	2 100	2 100
E	616	616	610	610
F	682	682	675	675
G	-	718	-	712
H	1 230	1 237	1 225	1 232
I	995	995	995	995

### SHËNIM

- Matjet në tabelën më sipër janë të përafërta.

## Temperatura e ambientit

- Aparati është konceptuar për të funksionuar brenda një rrezeje të kufizuar të temperaturave mjedisore, në varësi të zonës klimaterike.
- Temperaturat e brendshme mund të ndikohen nga vendndodhja e pajisjes, temperatura e mjedisit, frekuenca e hapjes së derës dhe kështu me radhë.
- Klasa klimaterike mund të gjendet në etiketën e vlerësimit.

Kategoria klimaterike	Rrezja e Temperaturës së Ambientit °C
SN (E moderuar e shtrirë)	+10 - +32
N (E moderuar)	+16 - +32
ST (Subtropikale)	+16 - +38
T (Tropikale)	+16 - +43 / +10 - +43*

\*Australi, Indi, Kenia

### SHËNIM

Pajisjet e vlerësuara nga SN në T janë konceptuar të përdoren në një temperaturë mjedisi midis 10 °C dhe 43 °C.

## Shënime për përdorimin

- Përdoruesit duhet të mbajnë në mend se mund të formohet ngricë nëse dera nuk mbyllet plotësisht, nëse lagështia është shumë e lartë gjatë verës ose nëse dera e ngrirjes hapet shpesh.
- Sigurohuni që të ketë hapësirë të mjaftueshme midis ushqimeve të mbajtura mbi raft ose koshin e derës për të lejuar që dera të mbyllet komplet.
- Nëse e mbani hapur derën për një kohë të gjatë mund të shkaktoni rritjen e ndjeshme të temperaturës në dhomëzat e pajisjes.
- Nëse pajisjen ftohëse e lini bosh për një kohë të gjatë, duhet ta fikni, shkrini, pastroni, thani dhe lini derën e saj hapur për të parandaluar krijimin e mykut brenda pajisjes.

## Sugjerim për kursimin e energjisë

- Sigurohuni që të ketë hapësirë të mjaftueshme midis ushqimeve të vëna. Kjo lejon që ajri i ftohtë të qarkullojë lirshëm dhe ul faturat e energjisë elektrike.
- Vendosini ushqimet e nxehta vetëm pasi të jenë ftohur me qëllim që të parandalohet formimi i lagështisë ose akullit.
- Kur vendosni ushqime në dhomëzën e ngrirësit, vendoseni temperaturën e ngrirjes më të ulët se temperatura e treguar në ushqim.
- Mos vendosni ushqime pranë sensorit të temperaturës të frigoriferit. Mbani një distancë prej të paktën 3 cm nga sensorit.
- Vini re se rritja e temperaturës pas shkrirjes ka një rrezë të lejueshme në specifkimet e pajisjes. Nëse doni që të minimizoni ndikimin që kjo mund të ketë në ruajtjen e ushqimeve për shkak të rritjes së temperaturës, mbulojini ose mbështillini ushqimet e ruajtura në disa shtresa.
- Sistemi automatik i shkrirjes në pajisje (sistemi defrost) lejon që ndarja të mos akumulojë asnjëherë akull në kushte normale funksionimi.
- Për përdorim më efikas të energjisë, mbajini të gjitha pjesët e brendshme (p.sh. koshat e derës, sirtarët dhe raftet) në vendin e tyre fillestar.
- Mos e vendosni temperaturën e pajisjes më të ulët se sa është e nevojshme.

## Mbajtja e ushqimeve në mënyrë të efektshme

- Mbajini ushqimet e ngrira ose ushqimet e ftohura brenda enëve të mbyllura.
- Kontrolloni datën e skadencës dhe etiketën (udhëzimet e ruajtjes) para se të vendosni ushqimet në pajisje.
- Mos i mbani ushqimet për periudha të gjata (më shumë se 4 javë) nëse prishen lehtë në temperaturë ambiente.

- Vendosini ushqimet e ftohura ose ushqimet e ngrira brenda secilit frigorifer ose ngrirës menjëherë pasi t'i keni blerë. Mos ngrini përsëri çfarëdo ushqimi që është shkrirë më parë. Ngrirja përsëri e ushqimeve që janë shkrirë tashmë pakëson shijen dhe vlerat ushqyese.
- Ruani mishin dhe peshkun e pa gatuar në enë të përshtatshme në frigorifer, në mënyrë që të mos ketë kontakt dhe as të mos pikojë mbi ushqimet e tjera.
- Mos i mbështillni dhe ruani ushqimet me gazetë. Materiali i printimit të gazetës ose substancave të tjera të huaja mund njosë dhe të ndotë ushqimet.
- Mos e mbushni pajisjen tepër. Ajri i ftohtë nuk mund të qarkullojë siç duhet nëse pajisja është e mbingarkuar.
- Nëse vendosni një temperaturë tepër të ulët për ushqimet, ato mund të ngrijnë. Mos vendosni temperaturë më të ulët se temperatura që duhet për t'i ruajtur ushqimet mirë.
- Për më shumë hapësirë, mund të hiqni raftin e shisheve, tabakën e vezëve, tabakën e akullit dhe sirtarin e konvertuesit të freskisë. Ushqimi mund të ngrihet nëse e vendosni në temperaturën e gabuar. Vendosni frigoriferin në temperaturën e duhur për ushqimet që do të ruani.

## Kapaciteti maks. i ngrirjes

- Funksioni i Ngrirjes së shpejtë do ta vendosë frigoriferin në kapacitetin maksimal të ngrirjes. Kjo zgjat zakonisht deri në 24 orë dhe çaktivizohet automatikisht.
- Nëse duhet të përdoret kapaciteti maksimal i ngrirjes, funksioni i Ngrirjes së shpejtë duhet të qëndrojë ndezur për shtatë orë, përpara se produkti i freskët të vendoset në dhomëzën e ngrirësit.

## Ngrirja e sasisë maksimale të ushqimeve

- Për të arritur një qarkullim më të mirë, futni të gjithë sirtarët.
- Nëse duhet të ruhen sasi të mëdha ushqimi, të gjithë sirtarët e ngrirësit duhet të nxirren jashtë pajisjes dhe ushqimi duhet të vendoset përgjyeshëm në raftet e ngrirësit (ose në raftet) në ndarjen e ngrirësit.

## SHËNIM

- Për të hequr sirtarët, së pari hiqni ushqimet nga sirtarët dhe më pas tërhiqni jashtë me kujdes sirtarët. Nëse nuk veproni kështu mund të lëndoheni ose të shkaktoni dëmtime të sirtarëve.
- Forma e secilit sirtar mund të jetë e ndryshme, vendosini në pozicionin e duhur.

## Vendosja e temperaturës

Kjo vendos temperaturën e frigoriferit ose temperaturën e ngrirjes.

- Shtypni butonin **Fridge** ose **Freezer** për të rregulluar temperaturën.
- Temperatura mund të rregullohet.
  - Frigoriferi : nga 1 °C në 7 °C
  - Frigoriferi : nga -15 °C në -23 °C
- Është vendosur temperatura fillestare.
  - Frigoriferi : 3 °C
  - Frigoriferi : -18 °C

Temperatura reale e brendshme ndryshon në varësi të gjendjes së ushqimit, pasi temperatura e vendosur e treguar është temperatura e synuar, jo temperatura reale brenda pajisjes.

## SHËNIM

- Përcaktimi i temperaturave të parazgjedhura mund të ndryshojë sipas pajisjes.
- Për të ruajtur ushqimin në mënyrë optimale, rekomandohet rritja ose ulja me 1 °C ose një nivel nga temperatura e paracaktuar për secilën ndarje.
- Prisni derisa të kenë kaluar 2 ose 3 orë pasi ta keni lidhur pajisjen me prizën para se të futni ushqime në pajisje.
- Për prodhimin e akullit në klimë normale, temperaturat e ngrirësit duhet të vendosen në -18 °C ose më ftohtë.

## Alarm i temperaturës së lartë

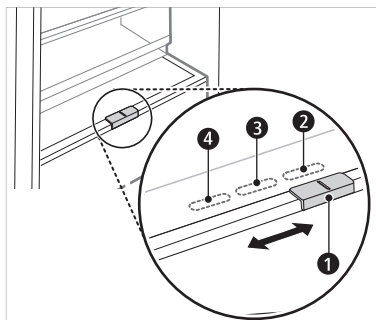
Kur temperatura e ngrirësit rritet shumë për shkak të ikjes së korrentit, llamba LED e temperaturës së ngrirësit pulson dhe tingëllon një alarm.

- Shtypni butonin **Freezer** për ta ndaluar.
- Nëse temperatura është mjaftuëshëm e ftohtë, pulsimi dhe alarmi do të ndalojnë automatikisht.
- Ky funksion punon:
  - Kur frigoriferi është i ndezur.
  - Kur dhomëza e ngrirësit ngrohet shumë.
  - Kur ka një ndërprerje të energjisë që zgjat për një periudhë të gjatë kohore.
  - Kur në dhomëzën e ngrirësit vendosen sasi të mëdha të ushqimit të ngrohtë vendosen.
  - Kur dera e ngrirësit lihet e hapur për shumë kohë ose shumë shpesh.

## Konvertuesi i freskisë ( \* )

Si dhomëz ftohëse, temperatura në konvertuesin e freskisë mund të kontrollohet duke rrëshqitur levën ①, kur ndodhet përpara ndarjes, në cilindo drejtim.

Kur mbani perimet pas përcaktimit për Mish ose Peshk, mund të shkaktohet lëndim nga i ftohti.



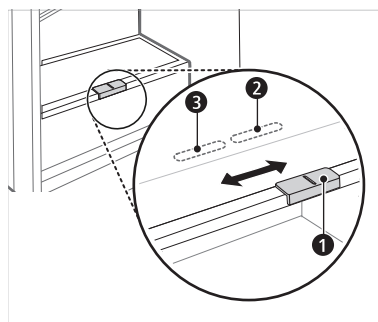
- ② Për ruajtjen e perimeve. (E rekomandueshme)
- ③ Për ruajtjen e peshkut.
- ④ Për ruajtjen e mishit.

## SHËNIM

- ( \* ) : Kjo veçori ndryshon në varësi të modelit të blerë.

## Sirtari i perimeve të freskëta ( \* )

Dhomëza e perimeve mund të rregullojë lagështirën duke lëvizur dorezën ①.



- ② Për ruajtjen e perimeve. (E rekomandueshme)
- ③ Për ruajtjen e frutave.

## SHËNIM

- ( \* ) : Kjo veçori ndryshon në varësi të modelit të blerë.



## Ndarjet për ruajtjen e ushqimeve

### Mbajtja e ushqimeve në pjesën e frigoriferit

#### • Rafti i Frigoriferit

- Ky është vendi ku mbahen ushqimet e ftohura dhe gjërat e tjera.
- Lartësia e raftit mund të rregullohet duke e vendosur raftin në një ulluk tjetër me lartësi tëndryshme.
- Mbajini ushqimet me përmbajtje më të lartë uji në raftin e sipërm.
- Numri real i rafteve ndryshon nga modeli në model.

#### • Skara e shisheve (\*)

- Ky është vendi ku mbahen shishet dhe enët e gjata.

#### • Rafti i palosshëm (\*)

- Ky është vendi ku mbahen ushqimet e ftohura dhe artikujt e gjatë.

#### • Sirtari i perimeve të freskëta (\*)

- Ky është vendi ku mbahen frutat dhe perimet për t'i ruajtur të freskëta, duke rregulluar kontrolluesin e lagështisë.
- Pamja ose komponentët e pajisjes mund të ndryshojnë nga modeli në model.

#### • Konvertuesi i freskisë (\*)

- Si një dhomëz ftohëse, ky është vendi ku ruhen mishi, peshku dhe perimet. Ruajeni freskinë duke rregulluar kontrolluesin e lagështisë të vendosur në pjesën e prapme të dhomëzës së frigoriferit.
- Për më shumë hapësirë, mund të përdorni zonën ftohëse, pa sirtarin e dhomëzës ftohëse.

#### • Mbajtësja e lëvizshme për vezë

- Ky është vendi ku mbahen vezët.
- Mund ta zhvendosni dhe ta përdorni në pozicionin e dëshiruar sipas nevojës. Megjithatë, mos e përdorni si kosh akulli dhe mos e vendosni mbi raftin e sipërme të frigoriferit ose të sirtarit të perimeve.

#### • Koshi i derës të frigoriferit

- Ky është vendi ku mbahen pako të ushqimeve të ftohura, pije dhe enë salce.

#### • Rezervuari i dispenserit të ujit (\*)

- Ky është vendi ku mbahet uji për të furnizuar depozitën ose prodhuesin automatik të akullit. Kërkohet mbushje manuale. (Vetëm për modelet e palidhura me tubacionet e ujit)

### Mbajtja e ushqimeve në pjesën e ngrirjes

#### • Mbajtësja e akullit

- Ky është vendi ku prodhohet dhe mbahet akulli.
- Për më shumë hapësirë, mund të hiqni mbajtësen e akullit ose kovën për kubet e akullit.

#### • Sirtari i ngrirësit

- Ky është për të ruajtur për kohë të gjatë gjërat e ngrira.
- Për të ngrirë shpejt artikujt ushqimor, vendosini ushqimet në anën e majtë të sirtarit të sipërm. Artikujt ushqimor do të ngrijnë më shpejt në atë sirtar.

### SHËNIM

- (\*) : Kjo veçori ndryshon në varësi të modelit të blerë.
- Për më shumë informacion për pjesët e tjera, vizitoni faqen lg.com dhe shkarkoni manualet e përdoruesit.

## Paneli i kontrollit

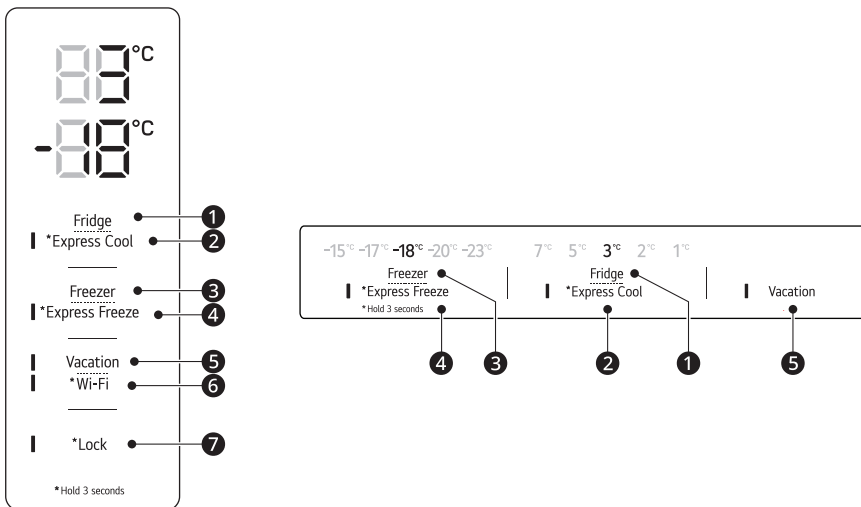
Paneli i kontrollit mund të ndryshojë nga modeli në model.

### Paneli i kontrollit dhe funksionet

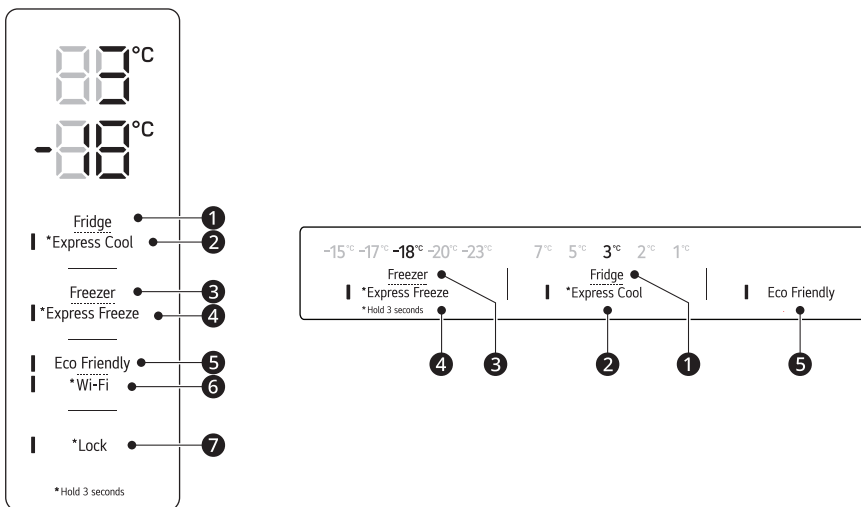
\*1 Kjo veçori është e disponueshme vetëm për disa modele.

Paneli i kontrollit ndodhet në derën e frigoriferit ose në brendësi të frigoriferit, në varësi të modelit.

#### Lloji A



#### Lloji B



**1 Fridge**

Shtypni këtë buton në mënyrë të përsëritur për të përzgjedhur temperaturën e dëshiruar nga 1 °C deri në 7 °C.

- Temperatura automatike e frigoriferit është 3 °C.

**2 Express Cool**

Ky funksion mund të ftohtë shpejt një sasi të madhe ushqimesh të tilla si perime, fruta e kështu me radhë.

- Ky funksion aktivizohet dhe çaktivizohet çdo herë që shtypni butonin për 3 sekonda.

**3 Freezer**

Shtypni këtë buton në mënyrë të përsëritur për të përzgjedhur temperaturën e dëshiruar nga -15 °C deri në -23 °C.

- Temperatura automatike e ngrirjes është -18 °C.

**4 Express Freeze**

Ky funksion mund të ngrijë me shpejtësi sasi të mëdha akulli ose ushqimesh të ngrira.

- Shtypni butonin Express Freeze për të aktivizuar funksionin për 24 orë. Funksioni fiket automatikisht pas 24 orësh.
- Ky funksion aktivizohet dhe çaktivizohet çdo herë që shtypni butonin për 3 sekonda.
- Kur ky modalitet është ndezur, mund të dëgjohen zhurma dhe konsumi i energjisë mund të rritet.

**5 Vacation**

Ky funksion është i dobishëm kur jeni larg me pushime. Kur ky funksion është i aktivizuar, temperatura e frigoriferit është 7 °C dhe temperatura e ngrirjes -15 °C. Kur ky funksion është i çaktivizuar, temperatura e frigoriferit dhe e ngrirjes kthehen në konfigurimin e mëparshëm të temperaturës.

- Ky funksion aktivizohet dhe çaktivizohet çdo herë që shtypni butonin.
- Kur ky modalitet është i aktivizuar, butonat e tjerë përveç butonave **Lock** dhe **Wi-Fi** nuk janë funksional.
- **Eco Friendly** është riemërtuar **Vacation**.

**⚠ KUJDES**

- Kur ky funksion është i aktivizuar, bëni kujdes për ruajtjen e ushqimeve që kërkojnë një temperaturë më të ulët se temperatura e paracaktuar.
- Kur të ktheheni në shtëpi, mos harroni ta fikni këtë buton për të aktivizuar butonat e tjerë dhe që cilësimet e frigoriferit të kthehen në temperaturën e mëparshme.

**6 Wi-Fi\*1**

Ky buton lejon që pajisja të lidhet me rrjetin Wi-Fi të shtëpisë. Referojuni **SMART FUNCTIONS** për informacione në lidhje me konfigurimin fillestar të aplikacionit **LG ThinQ**.

**7 Lock\*1**

Ky bllokon butonat në panelin e kontrollit.

- Për të kyçur butonat e panelit të kontrollit, shtypni dhe mbani shtypur butonin **Lock** për 3 sekonda deri sa funksioni do të aktivizohet.
- Për të çaktivizuar këtë funksion, shtypni dhe mbani shtypur butonin **Lock** për 3 sekonda deri sa funksioni të çaktivizohet.

**SHËNIM**

- Për të ruajtur ushqimin në mënyrë optimale, rekomandohet rritja ose ulja me 1 °C ose një nivel nga temperatura e paracaktuar për secilën ndarje.
- Temperatura e shfaqur është temperatura e synuar dhe jo temperatura aktuale brenda pajisjes.
- Temperatura aktuale brenda pajisjes varet nga faktorët e mëposhtëm: temperatura e dhomës, sasia e ushqimit dhe sa shpesh hapen dyert, vendndodhja e pajisjes. Caktioni temperaturat duke marrë parasysh këta faktorë.
- Paneli i kontrollit do të fiket automatikisht për të kursyer energji.
- Nëse e prekni me gisht ose lëkurë panelin e kontrollit ndërsa e pastroni, funksioni i butonit mund të vihet në punë.

## Aplikacioni LG ThinQ

Kjo karakteristikë është e disponueshme vetëm në modelet me Wi-Fi.

Aplikacioni **LG ThinQ** ju lejon të komunikoni me pajisjen duke përdorur një telefon smart

## Veçoritë e aplikacionit LG ThinQ

Komunikoni me pajisjen nga një telefon inteligjent duke përdorur veçoritë e duhura inteligjente.

### Smart Diagnosis

- Nëse hasni ndonjë problem ndërkohë që përdorni këtë pajisje, kjo karakteristikë e Smart Diagnosis do t'ju ndihmojë të diagnostikoni problemin.

### Cilësimet

- Ju lejon të caktoni opsione të ndryshme në pajisje dhe në aplikacion.

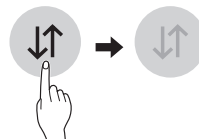
### SHËNIM

- Nëse bëni ndryshimin e routerit tuaj me valë, ofruesit të shërbimit të internetit apo kur ndryshoni fjalëkalimin, fshini pajisjen e regjistruar nga aplikacioni **LG ThinQ** dhe më pas e regjistroni edhe një herë atë.
- Aplikacioni i nënshtrohet ndryshimit për qëllime të përmirësimit të pajisjes pa njoftuar përdoruesit.
- Funksonet mund të ndryshojnë në varësi të modelit.

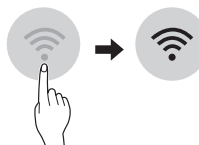
## Përpara se të përdorni aplikacionin LG ThinQ

- 1 Kontrolloni distancën mes pajisjes dhe ruterit pa lidhje kablore (rrjeti Wi-Fi).
  - Nëse distanca ndërmjet pajisjes dhe ruterit me valë (në wireless) është tepër e madhe, fuqia e sinjalit bëhet e dobët. Mund të duhet një kohë të gjatë për të bërë regjistrimin ose instalimi mund të dështojë.


- 2 Fikni **Internetin e Lëvizshëm** ose **Internetin Celular** në telefonin tuaj inteligjent.



- 3 Lidhni telefonin tuaj inteligjent me Wi-Fi e ruterit (në wireless).



### SHËNIM

- Për të verifikuar lidhjen Wi-Fi, kontrolloni që ikona Wi-Fi  në panelin e paisjes është e ndezur.
- Pajisja mbështet vetëm rrjete valësh 2.4 GHz. Për të kontrolluar frekuencën e rrjetit tuaj, kontaktoni ofruesin tuaj të shërbimit të internetit, ose merrni në konsideratë manualin e ruterit pa lidhje kablore.
- **LG ThinQ** nuk mban përgjegjësi për problemet e lidhjes me rrjetin apo çdo lloj problemi në lidhje me të, keqfunksionimi ose gabimi të shkaktuar nga lidhja me rrjetin.
- Nëse pajisja ka probleme për t'u lidhur me rrjetin Wi-Fi, mund të jetë shumë larg ruterit. Blini një përsëritës Wi-Fi (zgjatues i valës) për të përmirësuar fuqinë e sinjalit Wi-Fi.
- Lidhja Wi-Fi mund të mos lidhet ose mund të ndërpritet për shkak të mjedisit të rrjetit të shtëpisë.
- Lidhja me rrjetin mund të mos funksionojë siç duhet në varësi të ofruesit të shërbimit të internetit.
- Mjedisit rrethues mund ta bëjë shërbimin e rrjetit pa fije të punojë ngadalë.
- Pajisja nuk mund të regjistrohet për shkak të problemeve me transmetimin e sinjalit me valë (në wireless). Shkëputni prizën e pajisjes dhe pritni një minutë përpara se ta provoni përsëri.
- Nëse firewall-i në ruterin tuaj me valë është i aktivizuar, çaktivizoni firewall-in ose shtoni një përjashtim për këtë rast.


- Emri i rrjetit me valë (SSID) duhet të jetë një kombinim i shkronjave dhe numrave anglisht. (Mos përdorni karaktere speciale)
- Ndërfaqja e përdoruesit të Telefonit Inteligent (UI) mund të ndryshojë në varësi të sistemit operativ të celularit (OS) dhe prodhuesit.
- Nëse protokoll i sigurisë së ruterit është vendosur në **WEP**, mund të mos arrini të konfiguroni rrjetin. Ndryshojeni në protokolle të tjera sigurie (rekomandohet **WPA2**) dhe regjistroni sërish produktin.

## Instalimi i aplikacionit LG ThinQ

Kërkoni aplikacionin **LG ThinQ** nga Google Play Store & Apple App Store në një smartfon.

- Ndiqni udhëzimet për të shkarkuar dhe instaluar aplikacionin.

## Lidhja me Wi-Fi

Butoni **Wi-Fi**, kur përdoret me aplikacionin **LG ThinQ**, mundëson lidhjen e pajisjes me një rrjet Wi-Fi shtëpie. Ikona  shfaq statusin e lidhjes me rrjetin e pajisjes. Ikona ndriçohet kur pajisja është e lidhur me rrjetin Wi-Fi.


## Regjistrimi i pajisjes fillestare

- Vini në përdorim aplikacionin **LG ThinQ** dhe ndiqni udhëzimet në aplikacion për të regjistruar pajisjen.

## Ri-regjistrimi i pajisjes apo regjistrimi i një përdoruesi tjetër

- Shtypni dhe mbani shtypur butonin **Wi-Fi** për 3 sekonda për ta fikur atë përkohësisht. Vini në përdorim aplikacionin **LG ThinQ** dhe ndiqni udhëzimet në aplikacion për të regjistruar pajisjen.

## SHËNIM

- Për të çaktivizuar funksionin Wi-Fi, shtypni dhe mbani shtypur butonin **Wi-Fi** për 3 sekonda. Ikona  do të fiket.

## Njoftim për softuerin me burim të hapur

Për të marrë kodin e burimit nën GPL, LGPL, MPL dhe licenca të tjera me burim të hapur që kanë detyrimet për të zbuluar kodin e burimit që ndodhet në këtë produkt, dhe për të aksesuar të gjitha kushtet e referuara të licencës, njoftimet për të drejtën e autorit dhe dokumentet e tjera përkatëse, ju lutemi vizitoni faqen <https://opensource.lge.com>. “LG Electronics” do t’ju ofrojë po ashtu kodin me burim të hapur në një CD-ROM me një tarifë që mbulon koston e kryerjes së një shpërndarje të tillë (si p.sh. kostoja e materialit, transportit dhe administrimit) pas kërkesë me email në [opensource@lge.com](mailto:opensource@lge.com).

Kjo ofertë është e vlefshme për këdo që merr këtë informacion për një periudhë prej tre vjetësh nga dërgesa jonë e fundit e këtij produkti.

## Shënime për pastrimin

- Kur hiqni një raft ose sirtar nga brenda pajisjes, hiqni të gjitha ushqimet e vendosura nga rafti ose sirtari për të parandaluar lëndimet ose dëmtimet në pajisje.
  - Përndryshe, mund të ndodhin lëndime për shkak të peshës të ushqimeve të vëna.
- Nëse pastroni hapësirat e jashtme të ajrimit të pajisjes duke përdorur fshesë me korrent, atëherë duhet të hiqet kodroni i energjisë nga priza për të shmangur çdo shkarkesë statike që mund të dëmtojë pjesët elektronike ose të shkaktojë goditje elektrike.
- Nxirrini raftet dhe sirtarët dhe lajini me ujë dhe pastaj thajini mirë para se t'i vendosni përsëri.
- Fshijeni rregullisht gominën e derës me një leckë të butë të njomë.
- Spërkatjet dhe njollat e koshit të derës duhet të pastrohen pasi mund të komprometojnë aftësinë ruajtëse të koshit dhe mund të dëmtohet.
- Pas pastrimit, kontrolloni nëse është dëmtuar, gërryer ose nuk është futur mirë kabli i energjisë.
- Mbajini të pastra hapësirat e ajrimit jashtë pajisjes.
  - Hapësirat e ajrimit të bllokuara mund të shkaktojnë zjarr ose dëmtim të pajisjes.
- Kur pastroni brenda ose jashtë pajisjes, mos e fshini atë me furçë të ashpër, pastë dhëmbësh, apo materiale që mund të ndizen. Mos përdorni agjentë pastrimi që përmbajnë substanca të ndezshme.
  - Kjo mund të shkaktojë çngjyrosje ose dëmtimin e pajisjes.
  - Substancat e ndezshme: alkool (etanol, metanol, alkool izopropil, alkool izobutil, etj), hollues, zbardhues, benzen, lëng i djegshëm, abraziv, etj
- Për pjesën e jashtme të pajisjes, përdorni një sfungjer të pastër ose leckë të butë dhe detergjent të butë me ujë të ngrohtë. Mos përdorni pastrues gërryes ose të fortë. Thajeni mirë me leckë të butë.
- Mos i pastroni asnjëherë raftet ose mbajtëset në lavastovilje.
  - Pjesët mund të deformohen për shkak të nxehtësisë.
- Pastroni vazhdimisht sipërfaqet që mund të jenë në kontakt me ushqimin dhe sistemet e aksesueshme të kullimit.
- Nëse pajisja është e pajisur me një llambë LED, mos e hiqni kapakun e llambës dhe llambën LED në përjekje për ta riparuar ose rregulluar. Ju lutem kontaktoni një qendër informacioni për klientin të LG Electronics.

## Hedhja e pajisjes suaj të vjetër



- Të gjitha produktet elektrike dhe elektronike duhet të hidhen veçmas nga mbetjet e bashkisë përmes pikave të grumbullimit të caktuara nga qeveria ose autoritetet vendase.
- Hedhja e duhur e pajisjes tuaj të vjetër do të ndihmojë në parandalimin e pasojave të mundshme negative për mjedisin dhe shëndetin e njeriut.
- Për informacione më të hollësishme rreth hedhjes të pajisjes suaj të vjetër, ju lutem kontaktoni zyrën e qytetit, shërbimin për hedhjen e mbeturinave ose dyqanin ku e keni blerë produktin.

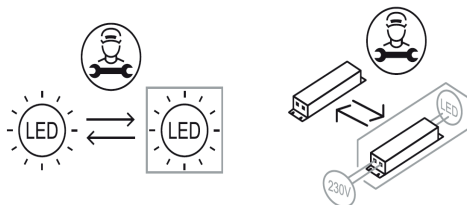
## Kujdesi dhe Shërbimi ndaj Klientit

Kontaktoni një qendër informacioni për klientin të LG Electronics.

- Për të gjetur informacion për qendrën e autorizuar të shërbimit të LG, vizitoni faqen tonë të internetit në faqen [www.lg.com](http://www.lg.com).
- Vetëm personeli i kualifikuar i shërbimit nga qendra e autorizuar e shërbimit të LG duhet të bëjë çmontimin, riparimin apo modifikimin e pajisjes.
- Periudha minimale e garancisë së kësaj pajisje frigoriferike është 24 muaj.
- Për të blerë pjesë rezervë, kontaktoni me qendrën e informacionit për klientin të LG Electronics në faqen tonë të internetit [www.lg.com](http://www.lg.com).
- Pjesët rezervë të përmendura në Rregulloren BE 2019/2019 janë të disponueshme për 7 vjet (vetëm gomatat e dyerve janë të disponueshme për 10 vjet).

### SHËNIM

- Për më shumë informacion rreth efijencës së energjisë së kësaj pajisje, vizitoni faqen <https://ec.europa.eu> dhe kërkoni duke përdorur emrin e modelit (e vlefshme nga 1 mars 2021).
- Rregullorja BE 2019/2019, e vlefshme nga 1 mars 2021, lidhet me klasat e Efijencës së Energjisë sipas Rregullores BE 2019/2016.
- Skanoni kodin QR në etiketën e energjisë të dhënë bashkë me pajisjen, ku është shënuar një link në internet për informacionin që lidhet me performancën e pajisjes në bazën e të dhënave të EPREL të BE-së. Ruajeni për referencë etiketën e energjisë së bashku me të gjitha dokumentet e tjera të dhëna me pajisjen (e vlefshme nga 1 mars 2021).
- Emri i modelit mund të gjendet në etiketën e vlerësimit të pajisjes.
- Ky produkt përmban një burim të lehtë të efijencës së energjisë së klasës G.





KORISNIČKO UPUTSTVO

# FRIŽIDER I ZAMRZIVAČ

**Pažljivo pročitajte ovo korisničko uputstvo pre rukovanja proizvodom i uvek ga držite pri ruci ako vam zatreba.**

[www.lg.com](http://www.lg.com)

Detaljnije informacije potražite u uputstvu za upotrebu na veb sajtu kompanije LG.  
Autorsko pravo © 2019-2023 LG Electronics. Sva prava zadržana



# SADRŽAJ

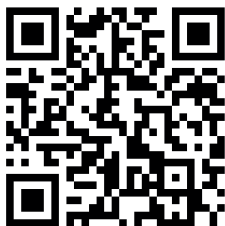
Ovaj priručnik može sadržati slike ili sadržaje koji se razlikuju od modela koji ste kupili.

Ovo uputstvo podleže reviziji od strane proizvođača.

<b>UPUTSTVA ZA BEZBEDNOST</b> .....	<b>3</b>
VAŽNA BEZBEDNOSNA UPUTSTVA .....	3
<b>MONTAŽA</b> .....	<b>9</b>
Dimenzije i razmaci .....	9
Temperatura prostora .....	9
<b>RAD</b> .....	<b>10</b>
Napomene za rad .....	10
Pretvarač svežine ( * ) .....	11
Fioka za sveže povrće ( * ) .....	11
Kontrolna tabla .....	13
<b>PAMETNE FUNKCIJE</b> .....	<b>15</b>
Aplikacija LG ThinQ .....	15
<b>ODRŽAVANJE</b> .....	<b>17</b>
Napomene za čišćenje .....	17
Odlaganje starog aparata .....	17
<b>REŠAVANJE PROBLEMA</b> .....	<b>18</b>

## Dodatne Informacije Iz Uputstva

Ovo je kratka verzija uputstva za upotrebu.  
Za više informacija posetite LG vebisajt na adresi  
<http://www.lg.com>



## Rešavanje problema



## UPUTSTVA ZA BEZBEDNOST

SR

Naredne bezbednosne smernice imaju za cilj da spreče nepredviđene rizike ili štetu od nebezbednog ili nepravilnog korišćenja proizvoda.

Ove smernice se dele na „**UPOZORENJE**“ i „**OPREZ**“ kao što je opisano ispod.

 Ovaj simbol stoji uz pojmove i operacije koji mogu da predstavljaju rizik. Pažljivo pročitajte deo sa ovim simbolom i pratite uputstva kako biste izbegli rizik.

### **UPOZORENJE**

Ovo znači da nepoštovanje uputstava može da dovede do ozbiljne povrede ili smrti.

### **OPREZ**

Ovo znači da nepoštovanje uputstava može da dovede do manje povrede ili oštećenja proizvoda.

## VAŽNA BEZBEDNOSNA UPUTSTVA

### **UPOZORENJE**

Kako biste umanjili rizik od nastajanja požara, strujnog udara ili povrede lica prilikom korišćenja proizvoda, potrebno je poštovati osnovne mere predostrožnosti o bezbednosti, uključujući i one koje slede:

#### **Deca u domaćinstvu**

- Ovaj uređaj nije namenjen za korišćenje za osobe (uključujući decu) sa umanjanim fizičkim, čulnim ili mentalnim sposobnostima ili za osobe sa nedostatkom iskustva i znanja, osim ako nisu pod nadzorom ili imaju pomoć pri korišćenju uređaja od strane osobe odgovorne za njihovu bezbednost. Decu treba nadgledati da bi se obezbedilo da se ne igraju uređajem.
- Ako uređaj ima bravu (samo kod nekih modela), držite ključ van domašaja dece.

## **Za korišćenje u Evropi:**

• Ovaj uređaj mogu da koriste deca starosti 8 godina i više kao i lica sa umanjenim fizičkim, čulnim i mentalnim sposobnostima ili nedostatkom iskustva i znanja ukoliko su pod nadzorom ili upućena u korišćenje uređaja na bezbedan način i razumeju uključene opasnosti. Deca ne smeju da se igraju sa uređajem. Čišćenje i održavanje ne mogu obavljati deca bez nadzora.

- Deca starosti od 3 do 8 godina smeju da pune i prazne frižidere.

## **Instalacija**

- Uređaj treba da transportuju isključivo dve ili više osoba držeći uređaj čvrsto.
- Uverite se da je utičnica pravilno uzemljena i da pin za uzemljenje na kablju za napajanje nije oštećen ili uklonjen iz utikača. Za više detalja o uzemljenju, raspitajte se u centru za podršku korisnika LG Electronics.
- Uređaj je opremljen kablom za napajanje koji ima provodnik za uzemljenje opreme i utikač za uzemljenje. Utikač mora da se priključi u odgovarajuću utičnicu koja je instalirana i uzemljena u skladu sa svim lokalnim propisima i uredbama.
- Ako je kabl za napajanje oštećen ili je otvor utičnice labav, nemojte da koristite kabl za napajanje i obratite se ovlašćenom servisnom centru.
- Nemojte uključivati uređaj u adapter sa više utičnica koji nema kabl za napajanje (priključen).
- Nemojte menjati ili produžavati kabl za napajanje.
- Uređaj bi trebalo priključiti na namenski vod sa zasebnim osiguračem.
- Nemojte da koristite izlaz sa višestrukim utičnicama koji nije odgovarajuće uzemljen (prenosni). U slučaju upotrebe odgovarajuće uzemljenog izlaza s višestrukim utičnicama (prenosni), koristite izlaz s višestrukim utičnicama čiji je kapacitet struje jednak kapacitetu napojnog kabla ili veći od njega i koristite izlaz s višestrukom utičnicom samo za dotični uređaj.
- Instalirajte uređaj na mestu na kom je lako isključiti utikač uređaja.
- Budite pažljivi da utikač ne bude podignut na gore ili da uređaj ne bude naslonjen na utikač.
- Instalirajte uređaj na čvrstom i ravnom podu.
- Ne instalirajte proizvod na vlažnom i prašnjavom mestu. Ne instalirajte i ne odlažite uređaj u spoljašnjoj sredini ili u prostoru koji je izložen vremenskim uslovima kao što su direktna sunčeva svetlost, vetar, kiša ili temperature ispod tačke smrzavanja.
- Ne postavljajte uređaj na mesto koje je izloženo direktnoj sunčevoj svetlosti ili toploti grejnih tela, kao što su peći ili grejalice.

- Budite pažljivi da ne izložite poledinu uređaja u toku instalacije.
- Budite pažljivi kako vam ne bi pala vrata prilikom sklapanja ili rasklapanja uređaja.
- Budite pažljivi kako ne biste priklještili, zgnječili ili oštetili kabl tokom sklapanja ili rasklapanja vrata uređaja.
- U utičnicu nemojte da priključujete adapter za utičnice ili drugi pribor.

## **Rad**

- Ne koristite uređaj za bilo koju namenu (skladištenje medicinskog ili eksperimentalnog materijala ili transport) osim za skladištenje hrane u domaćinstvu.
- Isključite utikač iz struje tokom jake grmljavine ili sevanja ili kada se ne koristi duži vremenski period.
- Ne dodirujte utikač ili kontrole uređaja mokrim rukama.
- Pazite da se kabl previše ne savija ili da nije pritisnut nekim teškim predmetom.
- Ako voda prodire u električne delove uređaja, isključite utikač iz struje i obratite se centru za podršku korisnika LG Electronics.
- Ne stavljajte ruke ili metalne predmete unutar oblasti koja ispušta hladan vazduh, na poklopac ili na rešetku koja otpušta toplotu sa zadnje strane.
- Ne primenjujte prekomernu silu ili udarce na zadnji poklopac uređaja.
- Ne stavljajte životinje i kućne ljubimce unutar proizvoda.
- Kada otvarate i zatvarate vrata uređaja vodite računa o deci u blizini. Vrata mogu udariti dete i izazvati povredu. Nemojte dozvoliti nijednoj osobi da se ljulja držeći se za bilo koja vrata jer to može dovesti do prevrtanja jedinice i teških povreda.
- Izbegnite opasnost od toga da se dece zaglave unutar uređaja. Ako se dete zaglavi unutar uređaja, može se ugušiti.
- Na uređaj nemojte da stavljate teške ili lomljive predmete, posude sa tečnošću, zapaljive materije, zapaljive predmete (npr. sveće, svetiljke, itd.) ili uređaje za grejanje (kao što su štednjaci, grejalice, itd.).
- Ako dođe do curenja gasa (izobutan, propan, prirodni gas itd.), ne dirajte uređaj ili utikač i odmah provetrite prostoriju. Ovaj uređaj koristi gas za hlađenje (izobutan, R600a). Iako koristi malu količinu gasa, gas je i dalje je zapaljiv. Curenje gasa tokom transporta uređaja, instalacije ili njegovog rada može izazvati požar, eksploziju ili povredu ukoliko se pojave varnice.
- U blizini uređaja nemojte da koristite ili da ostavljate unutar

uređaja zapaljive materije (kao što su eter, benzen, alkohol, hemikalije, tečni naftni gas, zapaljivi sprejevi, insekticidi, osveživači vazduha, kozmetika, itd.).

- Ako primetite bilo kakav čudan zvuk, miris ili dim koji dopire iz uređaja, odmah isključite utikač iz struje i obratite se centru za podršku korisnika LG Electronics.
- Sipajte vodu za piće u rezervoar ledomata ili automata za vodu.
- Nemojte oštetiti rashladno kolo.
- Ne stavljajte bilo koje elektronske uređaje (npr. grejač ili mobilni telefon) unutar uređaja.

### **Održavanje**

- Isključite kabl za napajanje iz struje pre čišćenja uređaja ili zamene unutrašnje lampe (ako je ugrađena).
- Priključite utikač u utičnicu nakon što ste u potpunosti uklonili vlagu ili prašinu.
- Nikada ne isključujte uređaj povlačenjem kabla za napajanje. Uvek čvrsto uhvatite utikač i ravnim izvlačenjem ga isključite iz utičnice.
- U unutrašnjost ili na spoljnu površinu uređaja u svrhu čišćenja ne prskajte vodu ili zapaljive materije (pastu za zube, alkohol, razređivač, benzen, zapaljive tečnosti, abrazivna sredstva, itd.).
- Ne čistite uređaj četkama, tkaninama ili sunđerima koji imaju grubu površinu ili metalne delove.
- Samo osobe kvalifikovane za popravke iz servisnog centra LG Electronics mogu vršiti rasklapanje, popravku ili izmenu uređaja. Obratite se centru za podršku korisnika LG Electronics ako se preselite i instalirate uređaj na drugom mestu.
- Nemojte koristiti fen za kosu da biste osušili unutrašnjost uređaja ili stavljati unutra sveću kako biste otklonili neprijatne mirise.
- Nemojte koristiti mehaničke uređaje niti druga sredstva kako biste ubrzali proces odmrzavanja.

### **Odlaganje**

- Prilikom bacanja uređaja, uklonite zaptivač vrata dok su police i korpe na svom mestu i držite decu dalje od uređaja.
- Odložite sav materijal za pakovanje (poput plastičnih kesa i stiropora) dalje od dece. Materijal za pakovanje može da izazove gušenje.

### **Tehnička bezbednost**

- Ventilacioni otvori, ako je uređaj zatvoren ili u ugradnom položaju, ne smeju biti blokirani.
- Nemojte da koristite električne uređaje u frižideru.

- Rashladno sredstvo i izolacioni gas koji se koriste u uređaju zahtevaju poseban postupak odlaganja. Pre odlaganja treba se konsultovati sa serviserom ili slično kvalifikovanom osobom.
- Rashladno sredstvo koje curi iz cevi može da se zapali ili da izazove eksploziju.
- Količina rashladnog sredstva u uređaju prikazana je na identifikacionoj pločici unutar uređaja.
- Nemojte nikada pokretati uređaj koji pokazuje simptome oštećenja. Konsultujte prodavca o svim nedoumicama.
- Ovaj uređaj je predviđen za korišćenje isključivo u domaćinstvu i sličnim objektima. Ne bi ga trebalo koristiti u komercijalne ili ugostiteljski svrhe ili u bilo kom mobilnom objektu, kao što su kamp-prikolica ili čamac.
- Nikada nemojte da skladištite u uređaju eksplozivne supstance kao što su konzerve aerosoli sa zapaljivim gorivom.
- Ovaj frižider nije namenjen za upotrebu kao ugradni uređaj.

### **Rizik od požara i zapaljivi materijali**



Ovaj simbol vas upozorava na zapaljive materijale kojivi. mogu da se zapale i izazovu požar ukoliko niste pažljivi

- Ovaj uređaj kao rashladno sredstvo koristi malu količinu izobutana (R600a), koji je zapaljiv. Za vreme transporta i instalacije uređaja treba paziti da se ne ošteti nijedan deo rashladnog kola.
- U slučaju da se otkrije curenje, treba izbegavati otvoreni plamen ili potencijalne izvore paljenja, kao i nekoliko minuta provetriti prostoriju u kojoj se nalazi uređaj. Da bi se izbeglo stvaranje lako zapaljive mešavine gasa i vazduha, u slučaju da dođe do curenja u okviru rashladnog kola, veličina prostorije u kojoj se koristi uređaj treba da odgovara količini korišćenog rashladnog sredstva. Površina prostorije mora da bude 1 m<sup>2</sup> na svakih 8 g rashladnog sredstva R600a koji se nalazi unutar uređaja.
- Prilikom postavljanja uređaja proverite da kabl za napajanje nije blokiran ili oštećen.
- Ne postavljajte produžne kablove sa više utičnica ili prenosne uređaje za napajanje iza uređaja.

## OPREZ

**Da bi se smanjio rizik od manje povrede lica, kvara ili oštećenja uređaja ili imovine prilikom korišćenja ovog uređaja poštujujte osnovne mere predostrožnosti, uključujući i sledeće:**

### **Instalacija**

- Ne nagnjite uređaj kako biste ga vukli ili gurali prilikom transporta.
- Pazite da prilikom pomeranja uređaja ne zaglavite deo tela kao što je dlan ili stopalo.

### **Rad**

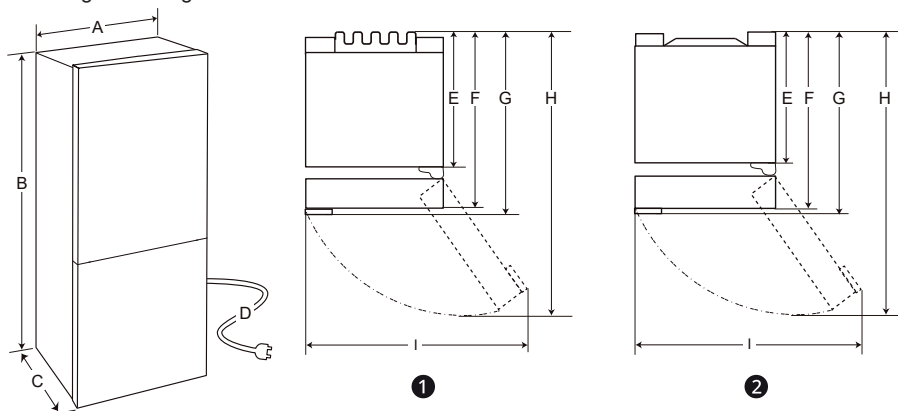
- Ne dirajte zamrznutu hranu ili metalne delove u zamrzivaču mokrim ili vlažnim rukama. To može izazvati promrzline.
- Nemojte stavljati staklene posude, flaše ili limenke (naročito ako sadrže gazirana pića) u prostor za zamrzavanje, na police ili posudu za led jer će oni biti izloženi temperaturama ispod tačke zamrzavanja.
- Kaljeno staklo na prednjoj strani vrata uređaja ili policu može da se ošteti u slučaju udara. Ako je staklo puklo, nemojte ga dodirivati rukama.
- Ne vešajte se na vrata uređaja, prostor za skladištenje, policu i ne penjite se na njih.
- Nemojte držati preveliku količinu flaša vode ili posuda za priloge u korpi na vratima.
- Sprečite da životinje grickaju kabl za napajanje ili crevo za vodu.
- Ne otvarajte ili zatvarajte vrata uređaja uz upotrebu prekomerne sile.
- Ako su šarke vrata proizvoda oštećene ili neispravno rade, nemojte ih više koristiti i obratite se servisnom centru LG Electronics.
- Nemojte da čistite staklene police ili poklopce toplom vodom dok su oni hladni.
- Nikad nemojte jesti zamrznutu hranu odmah nakon što je izvadite iz zamrzivača.
- Pazite da ne zaglavite dlan ili stopalo nakon otvaranja i zatvaranja vrata uređaja.

### **Održavanje**

- Police nemojte da stavljate naopako. Police mogu da padnu.
- Da biste uklonili led iz uređaja, obratite se centru za podršku korisnika LG Electronics.

## Dimenzije i razmaci

Premala udaljenost od susjednih predmeta može dovesti do slabljenja sposobnosti hlađenja i povećati potrošnju električne energije. Prilikom postavljanja uređaja, ostavite više od 50 mm prostora od svakog susjednog zida.



	1		2	
	Veličina [mm]			
	Uvučena drška	Izdvojena drška	Uvučena drška	Izdvojena drška
A	595	595	595	595
B	1 860 / 2 030	1 860 / 2 030	1 860 / 2 030	1 860 / 2 030
C	682	718	675	712
D	2 100	2 100	2 100	2 100
E	616	616	610	610
F	682	682	675	675
G	-	718	-	712
H	1 230	1 237	1 225	1 232
I	995	995	995	995

### NAPOMENA

- Mere u gornjoj tabeli su približne.

## Temperatura prostora

- Ovaj uređaj je osmišljen da radi na temperaturi ograničenog opsega u zavisnosti od trenutne klimatske zone.
- Na temperaturu unutrašnjosti uređaja mogu uticati mesto na kojem je uređaj postavljen, temperatura prostora, učestalost otvaranja vrata i tako dalje.
- Podaci o klimatskoj klasi ovog uređaja mogu se naći na nalepnici s tehničkim podacima.

Klimatska klasa	Opseg temperature prostora izražen u °C
SN (Produženo Umereno)	+10 - +32
N (Umereno)	+16 - +32
ST (Suptropsko)	+16 - +38
T (Tropsko)	+16 - +43 / +10 - +43*

\*Australija, Indija, Kenija

### NAPOMENA

Uređaji koji imaju oznaku od SN do T predviđeni su za korišćenje na temperaturi između 10 °C i 43 °C.



## Napomene za rad

- Korisnici bi trebalo da imaju u vidu to da može doći do stvaranja leda ako vrata nisu potpuno zatvorena, ako je velika vlažnost tokom leta ili ako se vrata od zamrzivača često otvaraju.
- Obezbedite dovoljno prostora između hrane koja se čuva na polici ili u korpi na vratima kako bi vrata mogla potpuno da se zatvore.
- Otvaranje vrata tokom dužih perioda može da dovede do značajnog povećanja temperature u odeljcima uređaja.
- Ako se frižider ostavlja prazan tokom dugih perioda, isključite ga, odmrznite ga, očistite ga, osušite ga i ostavite vrata otvorena da biste sprečili stvaranje buđi u uređaju.

## Predlog za uštedu energije

- Obezbedite dovoljno prostora između hrane koja se čuva. Ovo omogućava da hladan vazduh ravnomerno cirkuliše, pa se na taj način smanjuju i računi za struju.
- Ugrejanu hranu stavite unutra tek nakon što se ohladi, da ne bi došlo do vlaženja ili zaleđivanja.
- Kada čuvate hranu u zamrzivaču, podesite da temperatura zamrzivača bude niža od temperature koja je navedena na hrani.
- Ne stavljajte hranu blizu senzora koji se nalazi u frižideru. Održavajte rastojanje od najmanje 3 cm od senzora.
- Imajte na umu da porast temperature nakon odležavanja ima dozvoljeni opseg koji možete naći u specifikacijama uređaja. Ako želite da umanjite uticaj koje ovo može da ima na čuvanje hrane zbog porasta temperature, uvežite ili umotajte hranu u više slojeva.
- Sistem za automatsko otapanje u ovom uređaju obezbeđuje potpuno otapanje naslaga leda nastalih pri radu uređaja u uobičajenim radnim uslovima.
- Za najefikasniju upotrebu energije, proverite da li su svi unutrašnji delovi (npr. korpe u vratima, fioke i police) na svojim mestima.
- Nemojte da podešavate temperaturu uređaja na nižu nego što je to potrebno.

## Delotvorno čuvanje hrane

- Čuvajte smrznutu hranu ili ohlađenu hranu u zatvorenim posudama.
- Proverite rok trajanja i nalepnicu (uputstva za skladištenje) pre skladištenja hrane u uređaj.
- Ne skladištite hranu jako dugo (duže od 4 nedelje) ako se lako kvari na niskim temperaturama.
- Stavite ohlađenu hranu ili smrznutu hranu u frižider ili zamrzivač odmah nakon kupovine.

- Živo meso i ribu čuvajte u odgovarajućim posudama u frižideru, tako da ne budu u dodiru sa drugom hranom i tako da ne kaplju na nju.
- Izbegavajte da ponovo zamrzavate hranu koja se potpuno odledila. Ponovno zamrzavanje hrane koja se potpuno odledila umanjuje njen ukus i nutritivnu vrednost.
- Ne umotavajte povrće u novine i ne skladištite ga na taj način. Mastilo sa novina ili druge nepoznate supstance se mogu razmazati po hrani i mogu je kontaminirati.
- Nemojte da prepunite uređaj. Hladan vazduh ne može dobro da cirkuliše ako se uređaj prepuni.
- Ako podesite preterano nisku temperature za hranu, može se zalediti. Nemojte da podešavate temperaturu koja je niža od temperature potrebne za ispravno čuvanje hrane.
- Za više prostora možete da uklonite policu za flaše, policu za jaja, posudu za led i fioku pretvarača svežine.
- Hrana može da se zamrzne ili pokvari ako se drži na pogrešnoj temperaturi. Podesite frižider na ispravnu temperaturu za čuvanje hrane.

## Maksimalni kapacitet zamrzavanja

- Funkcija Ekspresno zamrzavanje podesiće zamrzivač na njegov maksimalni kapacitet zamrzavanja. To generalno traje do 24 časa i automatski se isključuje.
- Ako treba koristiti maksimalni kapacitet zamrzavanja, funkcija Ekspresno zamrzavanje mora da se uključi sedam sati pre nego što se svež proizvod stavi u odeljak zamrzivača.

## Zamrzavanje maksimalne količine hrane

- Da bi vazduh bolje cirkulisao, ubacite sve fioke.
- Ako treba da stavite veliku količinu hrane, sve fioke zamrzivača treba da izvadite iz uređaja i hranu treba da poslažete direktno na policu (ili police) u odeljku zamrzivača.

## NAPOMENA

- Da biste uklonili fioke, prvo uklonite hranu iz fioka i zatim pažljivo izvucite fioke. U suprotnom, može doći do povrede ili oštećenja fioka.
- Oblik svake fioke može da se razlikuje pa ih ubacite na prave pozicije.

## Podešavanje temperature

Ovime se podešava temperatura u frižideru ili temperatura u zamrzivaču.

- Pritisnite dugme **Fridge** ili dugme **Freezer** da biste podesili temperaturu.
- Temperatura se može podesiti.
  - Frižider: od 1 °C do 7 °C
  - Zamrzivač: od -15 °C do -23 °C
- Početna temperatura je podešena.
  - Frižider: 3 °C
  - Zamrzivač: -18 °C

Stvarna unutrašnja temperatura varira u zavisnosti od statusa hrane, jer je naznačena podešena temperatura zapravo ciljna temperatura, a ne stvarna temperatura unutar uređaja.

### NAPOMENA

- Zadana postavka temperature može da varira u zavisnosti od uređaja.
- Za optimalno čuvanje hrane, za svaki odeljak preporučuje se povećavanje ili smanjivanje za 1 °C ili jedan nivo od podrazumevane temperature.
- Sačekajte 2 ili 3 sata nakon povezivanja uređaja na priključak pre nego što počnete da skladištite hranu u uređaju.
- Za pravljenje leda u normalnim klimama, temperatura zamrzivača treba da bude podešena na -18 °C ili nižu.

### Alarm zbog visoke temperature

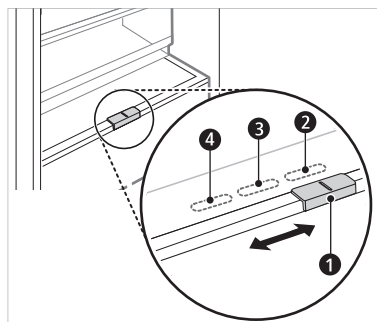
Kada se temperatura zamrzivača povisi zbog nestanka energije, LED lampica za temperaturu zamrzivača će treperiti i aktiviraće se zvučni signal alarma.

- Pritisnite dugme **Freezer** da zaustavite.
- Ako je temperatura dovoljno niska, treperenje i alarm će se automatski zaustaviti.
- Ova funkcija radi:
  - Kada se frižider uključi.
  - Kada temperatura u odeljku zamrzivača previše poraste.
  - Ako nestanak struje potraje duže vreme.
  - Ako se velika količina tople hrane stavi u odeljak zamrzivača.
  - Ako se vrata zamrzivača suviše dugo ostave otvorenim ili se prečesto otvaraju.

### Pretvarač svežine ( \* )

Temperatura u pretvaraču svežine može da se kontroliše pomeranjem ručke ① u oba smera koja se nalazi ispred odeljka za hlađenje.

Prilikom čuvanja povrća nakon podešavanja za meso ili ribu, može doći do povrede zbog hladnoće.



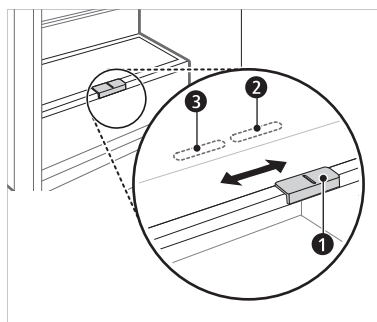
- ② Za čuvanje povrća. (Preporučeno)
- ③ Za čuvanje ribe.
- ④ Za čuvanje mesa.

### NAPOMENA

- ( \* ): Ova funkcija se razlikuje u zavisnosti od kupljenog modela.

### Fioka za sveže povrće ( \* )

Vlažnost u odeljku za povrće može da se podešava okretanjem dugmeta ①.



- ② Za čuvanje povrća. (Preporučeno)
- ③ Za čuvanje voća.

### NAPOMENA

- ( \* ): Ova funkcija se razlikuje u zavisnosti od kupljenog modela.

## Odeljci za skladištenje hrane

### Čuvanje hrane u odeljku frižidera

- **Polica frižidera**

- Ovo je mesto gde se ohlađena hrana i druge stvari skladište.
- Visina police može da se podesi stavljanjem police u žleb na drugoj visini.
- Hranu sa većim sadržajem vode čuvajte na početku police.
- Stvarni broj policia razlikuje se od modela do modela.

- **Polica za flaše (\*)**

- Ovde se drže visoke flaše pića ili posude.

- **Sklopiva policica (\*)**

- Ovo je mesto gde se ohlađena hrana i visoke stvari skladište.

- **Fioka za sveže povrće (\*)**

- Ovde se čuva voće i povrće da bi se zadržala svežina podešavanjem kontrolera vlažnosti.
- Izgled ili komponente uređaja mogu da se razlikuju od modela do modela.

- **Pretvarač svežine (\*)**

- Kao odeljak za hlađenje, ovde se čuvaju meso, riba i povrće. Pomaže u održavanju svežine podešavanjem kontrolera vlažnosti koji se nalazi na zadnjoj strani odeljka frižidera.

- Za više prostora možete da koristite oblast za hlađenje bez fioke odeljka za hlađenje.

- **Pokretna policica za jaja**

- Ovde se čuvaju jaja.
- Stavite ih tu i koristite policu na željenom položaju po potrebi. Međutim, nemojte da koristite kao posudu za led ili da je stavljate na policu na vrhu frižidera ili u fioku za povrće.

- **Korpa na vratima frižidera**

- Ovo je mesto gde se čuvaju mali paketi ohlađene hrane, pića i kesica sa sosom.

- **Rezervoar automata za vodu (\*)**

- Ovde se čuvaju automat za vodu ili automatski ledomat. Potrebno je ručno punjenje. (Samo kod modela bez dovoda vode)

### Čuvanje hrane u odeljku zamrzivača

- **Posuda za led**

- Ovde se proizvodi i čuva led. Za više prostora, možete da izvadite posudu za led ili korpu za kocke leda.
- Za više prostora, možete da izvadite posudu za led ili korpu za kocke leda.

- **Fioka zamrzivača**

- Ona služi za dugoročno čuvanje smrznutih namirnica.
- Za brzo zamrzavanje namirnica, skladištite hranu na levoj strani gornje fioke. Namirnice se najbrže zamrzavaju u fioci.

### NAPOMENA

- (\*) : Ova funkcija se razlikuje u zavisnosti od kupljenog modela.
- Za više informacija o drugim odeljcima posetite [lg.com](http://lg.com) i preuzmite priručnike za vlasnike.

## Kontrolna tabla

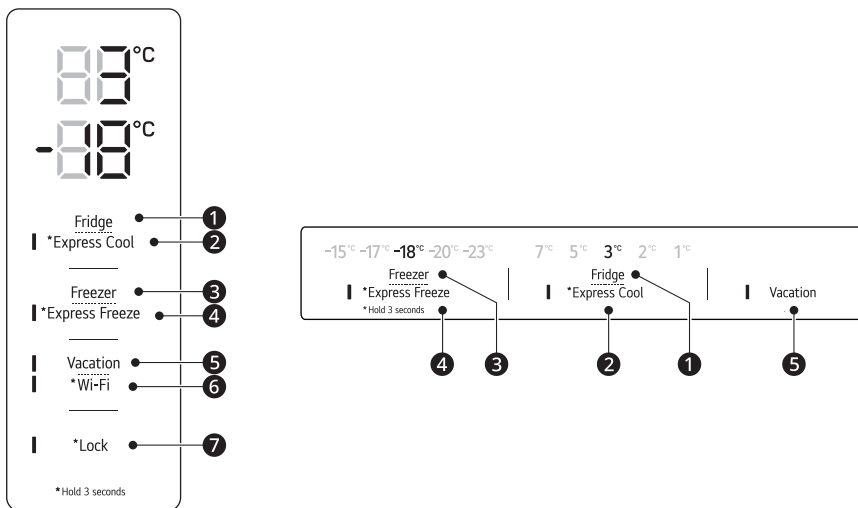
Stvarna kontrolna tabla može da se razlikuje od modela do modela.

### Kontrolna tabla i funkcije

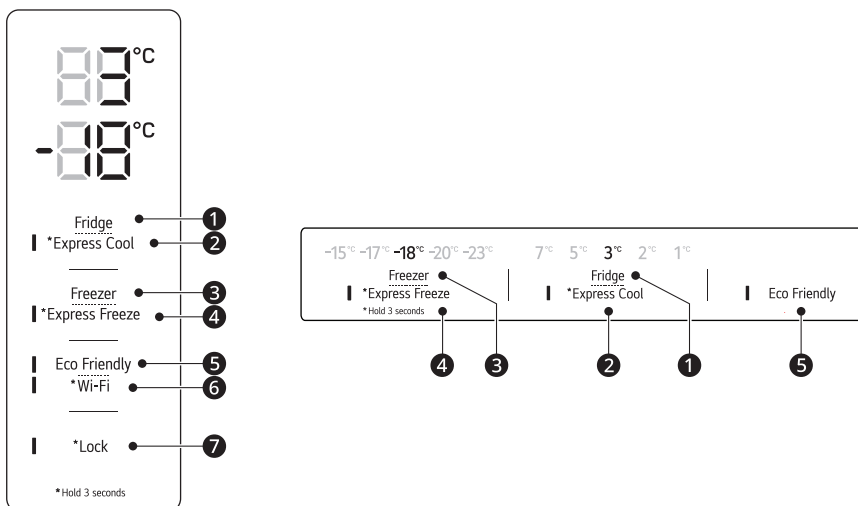
\*1 Ova funkcija je dostupna samo na nekim modelima.

Kontrolna tabla se nalazi na vratima frižidera ili unutar frižidera u zavisnosti od modela.

#### Tip A



#### Tip B



**1 Fridge**

Pritisnite ovo dugme više puta da biste izabrali željenu temperaturu između 1 °C i 7 °C.

- Podrazumevana temperatura frižidera je 3 °C.

**2 Express Cool**

Ova funkcija može da omogući brzo hlađenje velike količine hrane, kao što je povrće, voće itd.

- Ova funkcija se uključuje ili isključuje svaki put kada pritisnete dugme i držite ga 3 sekunde.

**3 Freezer**

Pritisnite ovo dugme više puta da biste izabrali željenu temperaturu između -15 °C i -23 °C.

- Podrazumevana temperatura zamrzivača je -18 °C.

**4 Express Freeze**

Ova funkcija može brzo da zamrzne veliku količinu leda ili smrznute hrane.

- Pritisnite dugme **Express Freeze** da biste aktivirali funkciju 24 sata. Funkcija se automatski isključuje nakon 24 sata.
- Ova funkcija se uključuje ili isključuje svaki put kada pritisnete dugme i držite ga 3 sekunde.
- Kada je ovaj režim uključen, može se javiti buka, a potrošnja energije se može povećati.

**5 Vacation**

Ova funkcija je korisna kada ste na odmoru. Kada je ova funkcija uključena, temperatura frižidera je 7 °C, a temperatura zamrzivača je -15 °C. Kada se ova funkcija isključi, temperature frižidera i zamrzivača se vraćaju na prethodna podešavanja temperature.

- Ova funkcija se uključuje ili isključuje svaki put kada pritisnete dugme.
- Kada je ovaj režim uključen, druga dugmad osim **Lock** i **Wi-Fi** neće raditi.
- Funkcija **Eco Friendly** promenila je ime u **Vacation**.

**⚠ OPREZ**

- Kada je ova funkcija uključena, budite pažljivi sa skladištenjem hrane koja zahteva nižu temperaturu od podrazumevane temperature.
- Kada se vratite kući, ne zaboravite da isključite ovu funkciju da biste otključali ostala dugmad i vratili frižider na prethodna podešavanja temperature.

**6 Wi-Fi \*1**

Ovo dugme omogućava uređaju da se poveže na kućnu Wi-Fi mrežu. Pogledajte odeljak **SMART FUNCTIONS** za informacije o početnom podešavanju aplikacije **LG ThinQ**.

**7 Lock \*1**

Ova funkcija zaključava dugmad na kontrolnoj tabli.

- Da biste zaključali dugmad na kontrolnoj tabli, pritisnite i držite dugme **Lock** 3 sekunde dok se funkcija ne aktivira.
- Da biste onemogućili funkciju, pritisnite i držite dugme **Lock** 3 sekunde sve dok se funkcija ne deaktivira.

**NAPOMENA**

- Za optimalno čuvanje hrane, za svaki odeljak preporučuje se povećavanje ili smanjivanje za 1 °C ili jedan nivo od podrazumevane temperature.
- Prikazana temperatura je najviša temperatura, a ne stvarna temperatura u uređaju.
- Stvarna temperatura u uređaju zavisi od sledećih faktora: sobne temperature, količine hrane i koliko često se vrata otvaraju, gde se uređaj nalazi. Podesite temperature uzimajući u obzir ove faktore.
- Kontrolna tabla će se automatski isključiti u cilju uštede energije.
- Ako dođe do bilo kakvih kontakata prsta ili kože sa kontrolnom tablom dok se ona čisti, može se aktivirati funkcija koju pokreće pritisnuto dugme.

## Aplikacija LG ThinQ

Ova funkcija je dostupna samo na modelima sa Wi-Fi-jem.

Aplikacija **LG ThinQ** omogućava vam da komunicirate sa uređajem koristeći pametni telefon.

## Funkcije aplikacije LG ThinQ

Mogućnost komunikacije sa uređajem putem pametnog telefona primenom odgovarajućih pametnih funkcija.

### Smart Diagnosis

- Ako nađete na problem tokom korišćenja uređaja, ova funkcija Smart Diagnosis će vam pomoći da dijagnostikujete problem.

### Postavke

- Omogućavaju vam da podesite razne opcije na uređaju i u aplikaciji.

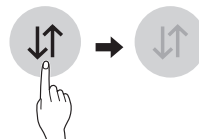
### NAPOMENA

- Ako zamenite bežični ruter, pružaoca internet usluga ili lozinku, obrišite registrovani uređaj iz aplikacije **LG ThinQ** i ponovo ga registrujte.
- Aplikacija je podložna promenama radi unapređenja rada uređaja i to bez prethodnog obaveštenja korisnika.
- Funkcije mogu varirati u zavisnosti od modela.

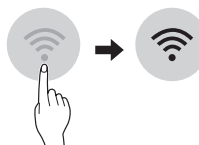
## Pre korišćenja aplikacije LG ThinQ

- 1 Proverite udaljenost između uređaja i bežičnog rutera (Wi-Fi mreža).
  - Ako je udaljenost između uređaja i bežičnog rutera suviše velika, signal će biti slabiji. Zbog toga registracija može da traje dugo ili instalacija možda neće biti moguća.


- 2 Isključite opciju **Mobilni podaci** na svom pametnom telefonu.



- 3 Povežite pametni telefon s bežičnim ruterom.



### NAPOMENA

- Da biste proverili Wi-Fi vezu, proverite da li je oznaka  osvetljena na kontrolnoj tabli.
- Uređaj podržava samo Wi-Fi mreže od 2,4 GHz. Da biste proverili mrežnu frekvenciju, obratite se internet provajderu ili pogledajte priručnik za bežični ruter.
- **LG ThinQ** ne snosi odgovornost za probleme sa povezivanjem na mrežu niti za bilo koje smetnje, kvarove ili greške izazvane povezivanjem na mrežu.
- Ako uređaj ne može da se poveže na Wi-Fi mrežu, možda je suviše daleko od rutera. Kupite pojačivač Wi-Fi signala (proširivač opsega) da biste pojačali Wi-Fi signal.
- Veza sa Wi-Fi mrežom možda neće biti uspostavljena ili će biti prekinuta zbog uslova u kojima funkcioniše kućna mreža.
- Povezivanje na mrežu možda neće funkcionisati ispravno zbog pružaoca internet usluga.
- Zbog okolnih bežičnih mreža možda će vaša bežična mreža biti spora.
- Uređaj se ne može da se registruje zbog problema s bežičnim prenosom signala. Isključite uređaj i sačekajte oko jednog minuta pre nego što pokušate ponovo.
- Ako je na bežičnom ruteru uključen zaštitni zid, isključite zaštitni zid ili dodajte izuzetak.
- Naziv bežične mreže (SSID) treba da se sastoji od kombinacije latiničnih slova i brojeva. (Nemojte da koristite posebne znakove)


- Korisnički interfejs pametnog telefona može da se razlikuje u zavisnosti od mobilnog operativnog sistema i proizvođača.
- Ako je sigurnosni protokol rutera podešen na **WEP** možda nećete moći da podesite mrežu. Molimo da promenite na druge sigurnosne protokole (preporučuje se **WPA2**) i ponovo registrujte proizvod.

## Instalacija aplikacije LG ThinQ

Pretražite aplikaciju **LG ThinQ** u radnji Google Play Store & Apple App Store putem pametnog telefona.

- Pratite uputstva za preuzimanje i instalaciju aplikacije.

## Povezivanje sa Wi-Fi mrežom

Dugme **Wi-Fi**, kada se koristi sa aplikacijom **LG ThinQ**, omogućava da se uređaj poveže na kućnu Wi-Fi mrežu. Oznaka  prikazuje status povezanosti uređaja na mrežu. Oznaka svetli kada je uređaj povezan na Wi-Fi mrežu.


### Prva registracija uređaja

- Pokrenite aplikaciju **LG ThinQ** i pratite uputstva iz aplikacije o registraciji uređaja.

### Nova registracija uređaja ili registracija drugog korisnika

- Pritisnite i 3 sekunde držite dugme **Wi-Fi** da biste ga privremeno isključili. Pokrenite aplikaciju **LG ThinQ** i pratite uputstva iz aplikacije o registraciji uređaja.

## NAPOMENA

- Da biste isključili Wi-Fi funkciju, pritisnite i 3 sekunde držite dugme **Wi-Fi**. Oznaka  će nestati.

## Napomena sa informacijama o softveru otvorenog koda

Da biste dobili izvorni kôd za GPL, LGPL, MPL i ostale licence otvorenog koda koje imaju obavezu da prikažu izvorni kôd, a koje ovaj proizvod sadrži i da biste pristupili svim navedenim licencnim uslovima, obaveštenjima o autorskim pravima i ostalim relevantnim dokumentima, posetite stranicu <https://opensource.lge.com>.

Kompanija LG Electronics takođe pruža mogućnost slanja izvornog koda na CD-ROM-u, pod uslovom da pokrijete te troškove (koji obuhvataju cenu medija i troškove slanja i isporuke), za šta je neophodno da pošaljete zahtev kompaniji LG Electronics na e-adresu: [opensource@lge.com](mailto:opensource@lge.com). Ova poruka važi za sve koji su poznati sa ovom informacijom tri godine od naše poslednje isporuke ovog proizvoda.

## Napomene za čišćenje

- Kada se polica ili fioka uklanjaju iz unutrašnjosti uređaja, sklonite svu skladištenu hranu sa police ili iz fioke da biste sprečili da dođe do povrede ili oštećenja uređaja.
  - U suprotnom, može doći do povrede zbog težine skladištene hrane.
- Ako usisavanjem čistite spoljne ventilacione otvore uređaja, onda treba izvući kabl za napajanje iz utičnice da biste izbegli statičko pražnjenje koje bi moglo da ošteti elektroniku ili da izazove strujni udar.
- Odvojite police i fioke i očistite ih vodom, a zatim ih dovoljno osušite pre nego što ih ponovo postavite.
- Redovno brišite zaptivače na vratima pomoću vlažne mekane krpe.
- Treba očistite mrlje i ono što se prospe u korpu na vratima jer to može da ugrozi mogućnost skladištenja hrane u korpi, a može je i oštetiti.
- Nakon čišćenja proverite da li je kabl za napajanje oštećen, topao ili nepravilno prikopčan.
- Održavajte čistoću otvora za vazduh sa spoljne strane uređaja.
  - Blokirani otvori za vazduh mogu da izazovu požar ili oštećenja uređaja.
- Prilikom čišćenja unutrašnjih ili spoljnih površina uređaja, nemojte da koristite grube četke, pastu za zube ili zapaljive materijale. Nemojte da koristite sredstva za čišćenje koja sadrže zapaljive materije.
  - To može da izazove gubitak boje ili oštećenje uređaja.
  - Zapaljive materije: alkohol (etanol, metanol, izopropil alkohol, izobutil alkohol, itd), razređivači, izbeljivači, benzen, zapaljive tečnosti, abrazivi itd.
- Za spoljašnjost uređaja koristite čist sunđer ili mekanu tkaninu i blagi deterdžent u toploj vodi. Ne koristite abrazivna sredstva ili jaka sredstva za čišćenje. Temeljno osušite mekom krpom.
- Nikada ne perite police ili posude u mašini za pranje sudova.
  - Delovi se mogu deformisati usled toplote.
- Redovno čistite površine koje mogu doći u dodir sa hranom i dostupne sisteme za odvod.
- Ako je uređaj opremljen LED lampom, nemojte uklanjati poklopac lampe ili LED lampu u pokušaju da uređaj popravite ili servisirate. Molimo vas da se obratite centru za podršku korisnika LG Electronics.

## Odlaganje starog aparata



- Ovaj simbol precrtana kanta za smeće pokazuje da električni i elektronski otpad (WEEE) treba da se odlaže odvojeno od običnog komunalnog otpada.
- Stari električni aparati mogu da sadrže otrovne supstance, tako da će pravilno odlaganje Vašeg starog aparata pomoći sprečavanju pojave negativnih posledica po životnu sredinu i zdravlje ljudi. Vaš stari aparat može da sadrži delove za višekratnu upotrebu koji se mogu koristiti za zamenu drugih proizvoda i druge vredne materijale koji se mogu reciklirati radi očuvanja ograničenih resursa.
- Vaš aparat možete da odnesete u radnju gde ste ga kupili ili da kontaktirate lokalnu vladinu kancelariju za otpad kako biste dobili informaciju o najbližoj autorizovanoj WEEE stanici za odlaganje ovog otpada. Za najnovije informacije za Vašu zemlju, molimo Vas da pogledate web stranicu [www.lg.com/global/recycling](http://www.lg.com/global/recycling)



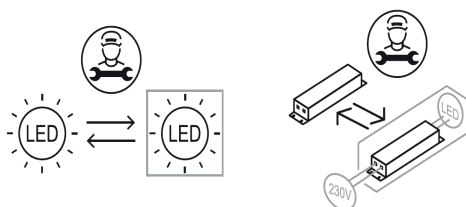
## Korisnička služba i servis

Obratite se centru za informisanje korisnika kompanije LG Electronics.

- Da biste pronašli informacije ovlašćenom servisu kompanije LG, posetite naš veb-sajt na [www.lg.com](http://www.lg.com).
- Samo kvalifikovano servisno osoblje iz ovlašćenog servisa kompanije LG treba da rasklapa, popravlja ili menja uređaj.
- Minimalni garantni period ovog frižidera je 24 meseca.
- Za kupovinu rezervnih delova obratite se korisničkom informativnom centru kompanije LG Electronics ili putem našeg veb-sajta [www.lg.com](http://www.lg.com).
- Rezervni delovi navedeni u Uredbi EU 2019/2019 dostupni su u trajanju od 7 godina (samo zaptivke na vratima su dostupne 10 godina).

## NAPOMENA

- Za više informacija o energetske efikasnosti uređaja posetite <https://ec.europa.eu> i obavite pretragu pomoću naziva modela (važi od 1. marta 2021.).
- Uredba EU 2019/2019, koja važi od 1. marta 2021, povezana je sa klasama energetske efikasnosti iz Uredbe EU 2019/2016.
- Skenirajte QR kod na etiketi energetske efikasnosti na uređaju na kojoj se nalazi veza za informacije koje se odnose na performanse uređaja u bazi podataka EU EPREL. Čuvajte etiketu energetske efikasnosti za reference zajedno sa svim ostalim dokumentima dostavljenim uz uređaj (važi od 1. marta 2021.).
- Naziv modela se može naći na nalepnici s tehničkim podacima na uređaju.
- Ovaj proizvod sadrži izvor svetlosti klase energetske efikasnosti G.





BRUKSANVISNING

# KYLSKÅP & FRYS

**Läs denna bruksanvisning noggrant innan apparaten används och spara den för framtida bruk.**

[www.lg.com](http://www.lg.com)

För mer information, se bruksanvisningen på LG:s hemsida.  
Copyright © 2019-2023 LG Electronics Inc. Alla rättigheter reserverade

# INNEHÅLLSFÖRTECKNING

Det kan finnas bilder eller innehåll i denna bruksanvisning som skiljer sig från modellen du köpt.

Denna bruksanvisning är föremål för revidering av tillverkaren.

<b>SÄKERHETSANVISNINGAR</b> .....	<b>3</b>
VIKTIGA SÄKERHETSANVISNINGAR .....	3
<b>INSTALLATION</b> .....	<b>10</b>
Dimensioner och marginaler.....	10
Omgivande temperatur .....	10
<b>DRIFT</b> .....	<b>11</b>
Anmärkningar om drift .....	11
Färskhetsomvandlare ( * ) .....	12
Färska grönsakslådan ( * ) .....	12
Kontrollpanel .....	14
<b>SMARTA FUNKTIONER</b> .....	<b>16</b>
Applikationen LG ThinQ.....	16
<b>UNDERHÅLL</b> .....	<b>18</b>
Anmärkningar gällande rengöring .....	18
Kassera den gamla apparaten .....	18
<b>FELSÖKNING</b> .....	<b>19</b>

## Ytterligare Information Finns I Användarhandboken

Detta är en kortare version av bruksanvisning.  
Besök LG:s hemsida på <http://www.lg.com>,  
för mer information.



## Felsökning



## SÄKERHETSANVISNINGAR

SV

Följande säkerhetstriktlinjer är avsedda att förhindra oförutsedda risker och skador till följd av osäker eller felaktig användning av produkten.

Riktlinjerna är uppdelade i ”**VARNING**”

resp.”**FÖRSIKTIGHET**” enligt beskrivning nedan.

 Denna symbol indikerar situationer och åtgärder för vilka risker föreligger. Läs avsnitt med denna symbol noggrant och följ anvisningarna för att undvika risker.

### **VARNING**

Indikerar att risk för allvarlig personskada eller dödsfall föreligger om anvisningarna inte följs.

### **FÖRSIKTIGHET**

Indikerar att risk för lätta personskador eller skador på produkten föreligger om anvisningarna inte följs.

## VIKTIGA SÄKERHETSANVISNINGAR

### **VARNING**

För att minska risken för explosion, brand, dödsfall, elstötar, personskador eller skällning när man använder denna produkt, ska man vidta grundläggande försiktighetsåtgärder, däribland:

#### **Barn i hushållet**

- Denna apparat är inte avsedd att användas av personer (inklusive barn) med nedsatt fysisk, sensorisk eller mental förmåga eller av personer med brist på erfarenhet och kunskap, såvida inte användningen sker under tillsyn eller en person som är ansvarig för deras säkerhet har gett anvisningar gällande apparatens användning. Barn ska hållas under uppsikt för att säkerställa att de inte leker med apparaten.
- Om apparaten är utrustad med ett lås (endast några modeller), förvaras nyckeln utom räckhåll för barn.

## För användning i Europa:

- Denna apparat kan användas av barn från och med 8 års ålder och av personer som har nedsatt fysisk, sensorisk eller psykisk förmåga eller bristande erfarenhet och kunskap, förutsatt att användningen sker under tillsyn eller att dessa erhållit anvisningar gällande säker användning av apparaten och förstår därmed förknippade risker. Barn får inte leka med apparaten. Rengöring och användarunderhåll får inte utföras av barn utan tillsyn.
- Barn i åldrarna 3 till 8 får fylla och tömma kylskåpsapparater.

## Installation

- Denna apparat ska endast transporteras av två eller flera personer som håller i den ordentligt.
- Säkerställ att eluttaget är ordentligt jordat och att jordningsstiftet på elkabeln inte är skadat eller borttaget från elkontakten. Kontakta ett av LG Electronics kundinformationscentrum för mer information om jordning.
- Denna apparat är utrustad med en elkabel med jordledare och jordad kontakt. Elkontakten får endast anslutas i ett lämpligt uttag som är korrekt installerat och jordat i enlighet med tillämpliga lokala regler och förordningar.
- Använd inte strömsladden om den är skadad eller om uttaget sitter löst – kontakta behörigt servicecenter för hjälp.
- Anslut inte apparaten till en adapter med flera uttag, som inte har en elkabel (ihopsatt).
- Ändra inte på eller dra ut strömsladden.
- Apparaten ska vara kopplad till en särskild strömledning med en separat säkring.
- Använd inte en adapter med flera uttag, som inte har blivit korrekt jordad (bärbar), utan istället en adapter med flera uttag som har en högre strömkapacitet, och använd endast adaptern för apparaten.
- Installera apparaten på en plats där det är enkelt att koppla ut apparatens elkontakt.
- Se till att inte elkontakten är vänd uppåt och att apparaten inte vilar mot elkontakten.
- Installera apparaten på ett plant och hårt golv.
- Installera inte apparaten på en fuktig och dammig plats. Installera inte eller förvara apparaten utomhus, eller något vid annat område som utsätts för direkt solljus, vind eller regn eller temperaturer under fryspunkten.

- Ställ inte apparaten i direkt solljus eller exponera den mot värme från apparater som en ugn eller ett element.
- Se till att inte exponera baksidan av apparaten under installationen.
- Se till att dörren inte faller ner i samband med montering eller demontering.
- Se till att kabeln inte slits av eller på annat sätt skadas i samband med montering eller demontering av apparatens dörr.
- Anslut inte en kontaktadapter eller andra tillbehör till elkontakten.

### **Drift**

- Använd inte apparaten för något annat ändamål (förvaring av medicinska eller experimentella material, transport) än hushållsbruk.
- Dra ut elkontakten vid kraftig åska eller om apparaten inte ska användas under en längre tid.
- Vidrör inte elkontakten eller apparatens kontroller med våta händer.
- Se till att elkabeln inte böjs för mycket och placera inga tunga föremål på den.
- Om det kommer in vatten i apparatens elektriska delar ska du koppla ur elkontakten och kontakta LG Electronics kundinformationscentrum.
- Placera inte händer eller metallföremål i området där kall luft avges, på skyddet eller på värmeutblåsgallret på baksidan.
- Tillämpa inte överdriven kraft eller stötar på apparatens bakre skydd.
- Placera inga djur, exempelvis husdjur, i apparaten.
- Var uppmärksam på barn i närheten när apparatens dörr öppnas eller stängs. Dörren kan stöta till barnet och orsaka personskador. Ingen får svänga och hänga från dörrarna eftersom det kan få enheten att välta och orsaka allvarlig skada.
- Undvik faran att barn blir instängda inuti apparaten. Om ett barn stängs in i apparaten kan det kvävas.
- Placera inte tunga eller ömtåliga objekt, vätskefyllda behållare, brännbart ämne, brandfarliga objekt (såsom ljus, lampor o.s.v), eller värmeaggregat (som ugnar, element o.s.v) på apparaten.

- Vid gasläcka (isobutan, propan, naturgas etc.): Vidrör inte apparaten eller elkontakten och ventiler området omedelbart. Den här apparaten använder kylmedelsgas (isobutan, R600a). Trots att mängden gas som används är liten så är den likväl antändlig. Vid gnistbildning i samband med gasläckage under transport, installation eller drift av apparaten föreligger risk för brand, explosion och personskador.
- Använd eller förvara inte brännbara eller antändliga substanser (eter, bensen, alkohol, kemikalier, LPG (gasol), antändligt spray, insektsmedel, luftfräschare, kosmetika o.s.v.) i närheten av apparaten.
- Dra omedelbart ut elkontakten och kontakta LG Electronics kundinformationscentrum om onormala ljud, dofter eller rök kommer ut från apparaten.
- Fyll endast på dricksvatten i ismaskinen eller vattendispenserbehållaren.
- Se till att kylkretsen inte skadas.
- Placera inte andra elektroniska apparater (t.ex. element eller mobiltelefoner) inuti apparaten.

## Underhåll

- Koppla bort strömssladden innan du rengör apparaten eller byter ut lampan inuti (då det finns en).
- Efter att du har tagit bort all fukt och damm ska du säkert koppla in elkontakten i eluttaget.
- Koppla aldrig ur apparaten genom att dra i elkabeln. Grip alltid tag i elkontakten ordentligt och dra ut den rakt från eluttaget.
- Spreja inte vatten eller brandfarliga substanser (tandkräm, alkohol, förtunningsmedel, bensen, brandfarlig vätska, slipmedel o.s.v.) över insidan eller utsidan av apparaten för att rengöra den.
- Rengör inte apparaten med borstar, trasor eller svampar som har sträva ytor eller är tillverkade av metall.
- Demontering, reparation och modifiering av apparaten får endast utföras av behörig personal från LG Electronics servicecenter. Kontakta ett av LG Electronics kundinformationscentrum om du flyttar och installerar apparaten på en annan plats.
- Använd inte hårtork för att torka insidan av apparaten och placera heller inte levande ljus inuti produkten för att avlägsna odörer.
- Använd inte mekaniska anordningar eller andra hjälpmedel för att påskynda avfrostningen.

### **Bortskaffande**

- Innan apparaten bortskaffas ska dörrpackningen avlägsnas, men man ska låta hyllor och fack vara kvar och barn ska hållas på avstånd från apparaten.
- Allt förpackningsmaterial (t.ex. plastpåsar och frigolit) ska bortskaffas så att barn inte kan få tillgång till det. Förpackningsmaterialet kan orsaka kvävning.

### **Teknisk säkerhet**

- Se till att ventilationsöppningarna i apparatens kapsling och i själva strukturen är fria från hinder.
- Placera inte elektrisk utrustning inuti kylskåpet.
- Köldmediet och blåsgasen för isolering som används i apparaten kräver särskilda bortskaffningsprocedurer. Rådgör med en servicetekniker eller annan kvalificerad person innan dessa bortskaffas.
- Köldmedium som läcker ut ur rören kan fatta eld eller orsaka en explosion.
- Mängden köldmedium för en specifik apparat anges på märkskylten inuti apparaten.
- Starta aldrig en apparat som visar tecken på skada. Kontakta återförsäljaren vid tveksamheter.
- Denna apparat är endast avsedd att användas i hushåll och liknande miljöer. Den ska inte användas för kommersiella eller cateringändamål, eller i en rörlig tillämpning som en husvagn eller båt.
- Förvara inte explosiva substanser såsom aerosolburkar med brandfarlig drivgas i denna apparat.
- Denna kylapparat är inte avsedd att användas som en inbyggd apparat.



## Brandrisk och brandfarligt material



Denna symbol signalerar att brandfarligt material kan antända och leda till en brand om du inte är försiktig.

- Den här apparaten innehåller en liten mängd av isobutan kylmedel (R600a), men är även lättantändlig. Vid transport och installation av apparaten måste säkerställas att inga delar av kylkretsen skadas.
- Om en läcka upptäcks: undvik öppen eld och potentiella antändningskällor samt ventiler rummet där apparaten står under flera minuter. För att undvika att en brandfarlig gas-/luftblandning bildas om en läcka i kylkretsen uppstår ska storleken på rummet där apparaten används motsvara mängden köldmedium som används. Ett rum med en storlek om minst 1 m<sup>2</sup> per 8 g köldmedium R600a i apparaten krävs.
- Säkerställ att elkabeln inte kläms fast eller är skadad när du placerar apparaten.
- Placera inte grenuttag eller portabla strömkällor vid apparatens baksida.

## FÖRSIKTIGHET

**För att minska risken för lindriga personskador, fel eller skada på produkten och egendom vid användande av denna produkt, ska grundläggande försiktighetsåtgärder vidtas, däribland:**

### **Installation**

- Luta inte apparaten för att dra eller förskjuta den under transport.
- Säkerställ att du inte fastnar med hand eller fot när du flyttar apparaten.

### **Drift**

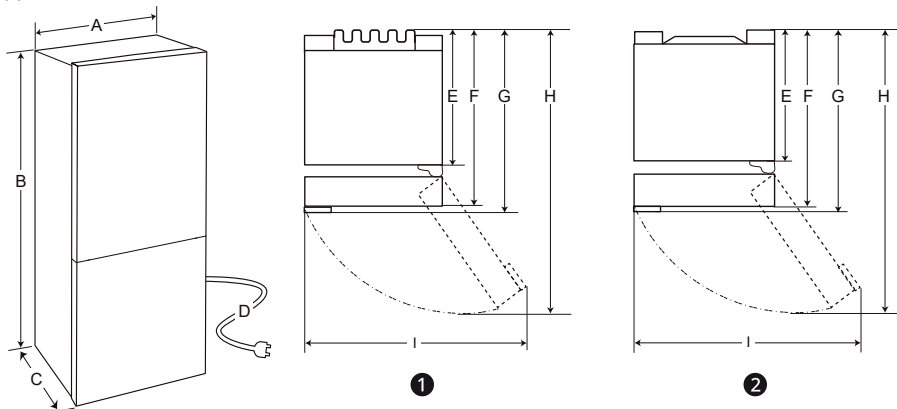
- Vidrör inte fryst mat eller metalldelar i frysfacket med våta eller fuktiga händer. Risk för köldskador föreligger.
- Placera inte glasbehållare, flaskor eller konservburkar (speciellt de som innehåller kolsyrade drycker) i frysfacket, på hyllor eller i isfack som kommer att utsättas för frystemperaturer.
- Det härdade glaset på apparatens dörrhyllor eller framsida, kan skadas. Om det går isönder ska man aldrig röra vid det med händerna.
- Häng eller klättra inte på apparatens dörr, förvaringsutrymmen eller hyllor.
- Förvara inte för många vattenflaskor eller andra föremål i dörrfacken.
- Förhindra att djur gnager på elkabeln eller vattenslangen.
- Använd inte överdriven kraft när apparatens dörr öppnas eller stängs.
- Sluta använda produkten och kontakta ett av LG Electronics servicecenter om dörrens gångjärn är skadade eller inte fungerar korrekt.
- Rengör inte glashyllorna eller skydden med varmt vatten när de är kalla.
- Ät aldrig fryst mat omgående efter att den tagits ut ur frysen.
- Säkerställ att du inte fastnar med hand eller fot när du öppnar eller stänger apparatens dörr.

### **Underhåll**

- Sätt inte in hyllorna upp och ner. Hyllorna kan ramla ner.
- Kontakta ett av LG Electronics kundinformationscentrum om frost inuti apparaten måste avlägsnas.

## Dimensioner och marginaler

Allt för små distanser till närliggande föremål kan resultera i att frysförmågan minskar och att elkostnaden ökar. Se till att det finns mer än 50 mm marginal från varje närliggande vägg när apparaten installeras.



	1		2	
	Storlek [mm]			
	Fickhandtag	Stånghandtag	Fickhandtag	Stånghandtag
A	595	595	595	595
B	1 860 / 2 030	1 860 / 2 030	1 860 / 2 030	1 860 / 2 030
C	682	718	675	712
D	2 100	2 100	2 100	2 100
E	616	616	610	610
F	682	682	675	675
G	-	718	-	712
H	1 230	1 237	1 225	1 232
I	995	995	995	995

### ANMÄRKNING

- Mätningarna i tabellen ovan är ungefärliga.

### Omgivande temperatur

- Apparaten är designad för att fungera inom ett begränsat temperaturintervall, beroende på klimatzonen.
- Innertemperaturen kan påverkas av apparatens läge, den omgivande temperaturen, hur ofta dörren öppnas och stängs, o.s.v.
- Klimatklass kan hittas i märkningen för gradering.

Klimatklass	Omgivande temperaturintervall °C
SN (Utökad Tempererad)	+10 - +32
N (Tempererad)	+16 - +32
ST (Subtropisk)	+16 - +38
T (Tropisk)	+16 - +43 / +10 - +43*

\*Australien, Indien, Kenya

### ANMÄRKNING

Apparaten rangordnas från SN till T och ska användas vid en lämplig temperatur som befinner sig mellan 10 °C och 43 °C.

## Anmärkningar om drift

- Användare bör ha i åtanke att det kan bildas frost om dörren inte stängs ordentligt, om luftfuktigheten är hög på sommaren eller om frysdörren öppnas ofta.
- Säkerställ att det finns tillräckligt med utrymme mellan livsmedel som förvaras på hyllorna eller i dörrfacken så att dörren kan stängas helt och hållet.
- Om dörren står öppen under längre perioder kan detta orsaka en påtaglig temperaturökning i apparatens olika fack.
- Om kylskåpsapparaten ska lämnas tom under längre perioder ska den stängas av, frostas av, rengöras och torkas. Dörren ska sedan lämnas öppen, detta för att förebygga mögelansamling.

## Energispartips

- Se till att det finns tillräckligt med mellanrum mellan livsmedel som förvaras. På så sätt kan kalluften cirkulera jämnt och man minskar energiförbrukningen.
- För att undvika att fukt eller frost bildas ska man låta varm mat svalna innan man lägger in den i kylskåpet.
- När man förvarar livsmedel i frysen ska man ställa in frystemperaturen under den temperatur som är angiven på livsmedlet.
- Placera inte livsmedel för nära kylskåpets temperatursensor. Se till att ett avstånd på minst 3 cm från sensorn lämnas fritt.
- Observera att det finns i apparatens specifikationer ett tillåtet intervall för temperaturökning efter avfrostning. Linda in eller försegla maten i flera lager om du vill minimera den påverkan som temperaturökningen kan ha på maten.
- Apparaten automatiska avfrostningssystem försäkras att is inte byggs upp i facken under normala förhållanden.
- För den mest effektiva energianvändningen, behåll alla inre delar (t.ex. dörrfack, lådor och hyllor) på sin ursprungliga plats.
- Ställ inte in apparatens temperatur lägre än nödvändigt.

## Effektiv förvaring av livsmedel

- Förvara frysta livsmedel eller kylvaror i slutna behållare.
- Kontrollera utgångsdatum och etiketter (förvaringsanvisningar) innan livsmedel förvaras i apparaten.
- Förvara inte livsmedel för länge (längre än 4 veckor) i apparaten om de är känsliga för låga temperaturer.

- Ställ in kyl- eller frysvaror i kylan/frysen direkt efter inköp.
- Förvara rätt kött och rå fisk i lämpliga förvaringsfack så att de inte kommer i kontakt med eller att vätska från dem droppar ner på annan mat.
- Undvik att frysa om livsmedel som har tinats. Om man fryser om upptinat livsmedel kommer det att försämra dess smak och näringsvärde.
- Omslut inte och förvara inte grönsaker med tidningspapper. Trycksvarta och andra främmande ämnen kan smutsa ned och förorena livsmedlet.
- Överfyll inte apparaten. Kall luft kan inte cirkulera effektivt om apparaten är överfull.
- Om du ställer in en för låg temperatur kan livsmedlet frysas. Ställ inte in en lägre temperatur än vad som krävs för att livsmedlet ska förvaras korrekt.
- För att få mer utrymme kan du ta bort flaskstället, äggbrickan, isbrickan och färskhetsomvandlarlådan.
- Mat kan frysa eller bli förstörd om den lagras vid fel temperatur. Ställ in kylskåpet på korrekt temperatur för att lagra mat.

## Maximal fryskapacitet

- Snabbfrysningfunktionen ställer in frysen på maximal fryskapacitet. Detta tar oftast upp till 24 timmar och stängs av automatiskt.
- Om den maximala fryskapaciteten ska användas måste snabbfrysningfunktionen sättas på sju timmar innan färskvaror placeras i frysfacket.

## Infrysning av maximal mängd livsmedel

- Sätt i samtliga lådor för att säkerställa bästa möjliga luftcirkulation.
- Om stora mängder mat lagras, ska alla fryslådor tas ur apparaten och maten ska staplas direkt på fryshyllans (eller fryshyllornas) frysfack.

## ANMÄRKNING

- För att ta ut lådorna, ta först ut maten ur lådorna och dra sedan ut lådorna försiktigt. Om du inte gör så, kan det orsaka personskada eller skada på lådorna.
- Tänk på att sätta in lådorna i rätt position, då de kan ha olika form.

## Ställa in temperaturen

- Med denna knapp ställs kylskåps- eller frystemperaturen in.
- Tryck på knappen **Fridge** eller knappen **Freezer** för att justera temperaturen.

- Temperaturen kan justeras.
  - Kylskåp: från 1 °C till 7 °C
  - Frys: från -15 °C till -23 °C
- Den initiala temperaturen är inställd.
  - Kylskåp: 3 °C
  - Frys: -18 °C

Den faktiska innetemperaturen varierar beroende på statusen på livsmedlen. Temperaturen som visas anger måltemperaturen, inte den faktiska temperaturen i apparaten.

### ANMÄRKNING

- Standardtemperaturinställning kan variera beroende på apparaten.
- För optimal hållbarhet av mat rekommenderas du öka eller sänka 1 °C eller en nivå från standardtemperaturen för varje fack.
- Vänta 2 eller 3 timmar efter anslutningen av apparaten till nätuttaget innan livsmedel ställs in i apparaten.
- För att göra is i normalt klimat, bör frystemperaturen ställas in på -18 °C eller kallare.

### Högtemperaturslarm

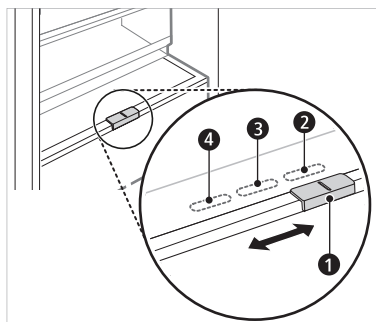
När frysens temperatur blir för hög till följd av strömbrott börjar LED-lampan som signalerar temperatur att blinka och ett larm hörs.

- Tryck på knappen **Freezer** för att få det att sluta.
- Om temperaturen är tillräckligt låg kommer blinkandet och larmet att upphöra.
- Denna funktion är i bruk:
  - När kylskåpet slås på.
  - När frysfacket blir för varmt.
  - När ett strömbrott som varar under en längre tid inträffar.
  - När stora mängder varma livsmedel placeras is frysfacket.
  - När frysens dörr lämnas öppen för länge eller för ofta.

### Färskhetsomvandlare ( \* )

Vid bruk som kylfack kan temperaturen i färskhetsomvandlaren styras genom att justera spaken ① som finns längst back i facket åt något håll.

Om grönsaker förvaras efter det att inställningarna för kött eller fisk använts kan detta leda till köldskador.



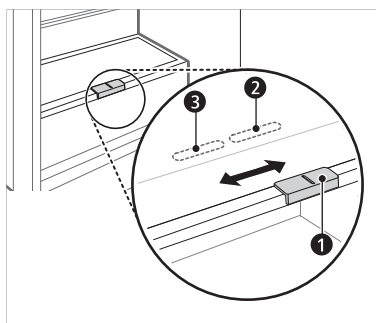
- ② För förvaring av grönsaker. (Rekommenderat)
- ③ För förvaring av fisk.
- ④ För förvaring av kött.

### ANMÄRKNING

- ( \* ) : Detta innebär att den här funktionen varierar beroende på inköpt modell.

### Färska grönsakslådan ( \* )

I grönsaksfacket kan luftfuktigheten justeras genom användning av omställaren ①.



- ② För förvaring av grönsaker. (Rekommenderat)
- ③ För förvaring av frukt.

### ANMÄRKNING

- ( \* ) : Detta innebär att den här funktionen varierar beroende på inköpt modell.

## Matförvaringsutrymmen

### Att förvara livsmedel i kylutrymmet

- **Kylskåpshylla**

- Här förvaras livsmedel och andra kylvaror.
- Hyllans höjd kan justeras genom att hyllan sätts in i ett annat fäste för en annan höjd.
- Förvara livsmedel med högre fukthalt på hyllornas yttre del.
- Antalet hyllor kan variera från modell till modell.

- **Flaskställ (\*)**

- Här förvaras höga flaskor och behållare.

- **Hopfällbar hylla (\*)**

- Här förvaras livsmedel och höga kylvaror.

- **Färska grönsakslådan (\*)**

- Här förvaras grönsaker och frukt som hålls färska längre genom reglering av luftfuktighetsstyrenheten
- Apparatens utseende och komponenter kan variera från modell till modell.

- **Färskhetsomvandlare (\*)**

- Ett kylfack där kött, fisk och grönsaker förvaras. Varorna hålls färska längre genom reglering av luftfuktighetsstyrenheten som finns längst bak i kylfacket.
- För att få mer utrymme kan du använda kylvytan utan kylfackslådan.

- **Flyttbar äggbricka**

- Här förvaras äggen.
- Brickan kan flyttas till och användas i det läge som önskas. Den får dock inte användas som en isbehållare eller placeras på den översta hyllan ovanpå kylskåpet eller på grönsakslådan.

- **Fack i kylskåpsdörr**

- Här förvaras små livsmedelsförpackningar, drycker och såsflaskor.

- **Vattendispenseringsbehållare (\*)**

- Här lagras vatten för vattendispenseringsfunktionen eller ismaskinen. Måste fyllas manuellt. (Endast modeller utan renare.)

### Att förvara livsmedel i frysutrymmet

- **Isbricka**

- Här tillverkas och förvaras isbitar.
- För mer utrymme kan isbrickan eller iskubshinken flyttas.

- **Fryslåda**

- Dessa utrymmen är avsedda för långtidsförvaring av frysta livsmedel.
- För att snabbt frysa matvaror bör maten förvaras på vänster sida i den övre lådan. Matvaror kommer att frysas in snabbare i det området.

### ANMÄRKNING

- (\*) : Detta innebär att den här funktionen varierar beroende på inköpt modell.
- För ytterligare information om andra utrymmen, besök [lg.com](http://lg.com) och ladda ner bruksanvisningar.

## Kontrollpanel

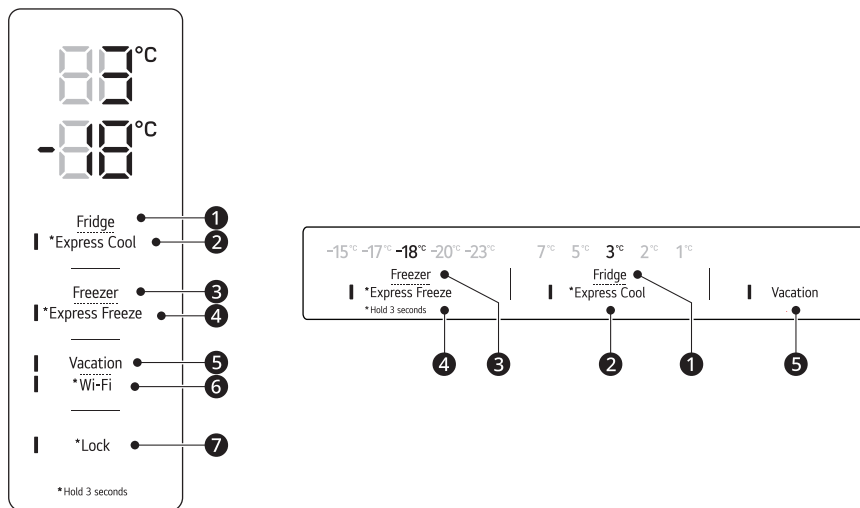
Kontrollpanelen kan skilja sig åt från modell till modell.

### Kontrollpanel och funktioner

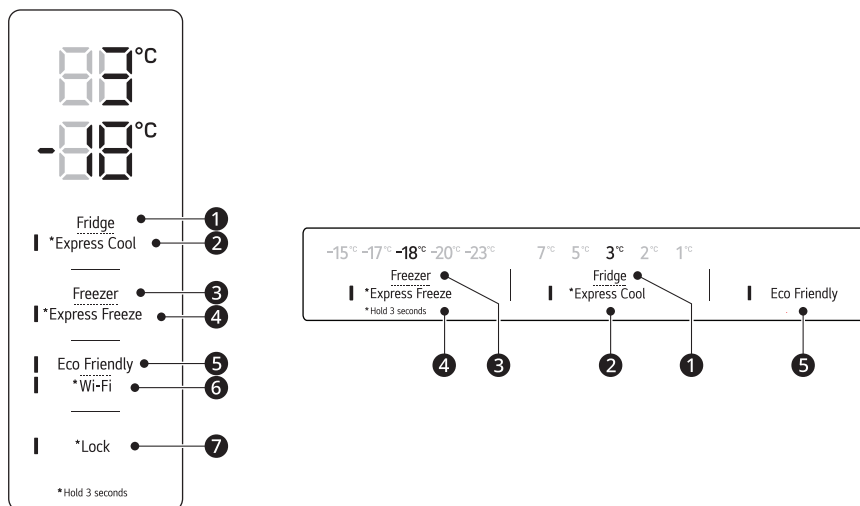
\*1 Denna funktion finns bara tillgänglig på vissa modeller.

Kontrollpanelen finns antingen på kylskåpsdörren eller inuti frysen beroende på modellen.

#### Typ A



#### Typ B



**1 Fridge**

Tryck på knappen upprepade gånger för att välja en önskad temperatur mellan 1 °C och 7 °C.

- Den förinställda kylskåpstemperaturen är 3 °C.

**2 Express Cool**

Denna funktion kan användas för att snabbt kyla ner stora mängder livsmedel såsom grönsaker, frukt och dylikt.

- Denna funktion aktiveras eller avaktiveras varje gång knappen trycks in i 3 sekunder.

**3 Freezer**

Tryck på knappen upprepade gånger för att välja en önskad temperatur mellan -15 °C och -23 °C.

- Den förinställda frystemperaturen är -18 °C.

**4 Express Freeze**

Med den här funktionen kan snabbt stora mängder vatten eller livsmedel frysas.

- Tryck på knappen **Express Freeze** för att aktivera funktionen i 24 timmar. Funktionen stängs av automatiskt efter 24 timmar.
- Denna funktion aktiveras eller avaktiveras varje gång knappen trycks in i 3 sekunder.
- När detta läge är på kan ett ljud eventuellt höras och energiförbrukningen kan öka.

**5 Vacation**

Denna funktion är användbar när du är på väg på semester. När detta läge är på är temperaturen i kylskåpet 7 °C och temperaturen i frysen -15 °C. När detta läge är av återvänder temperaturen i kylskåp och frys till de föregående temperaturinställningarna.

- Funktionen aktiveras eller avaktiveras varje gång knappen trycks in.
- När detta läge är på kommer de övriga knapparna utom **Lock** och **Wi-Fi** inte att fungera.
- **Eco Friendly** har döpts om till **Vacation**.

**⚠ FÖRSIKTIGHET**

- Vara försiktig med att förvara livsmedel som kräver en lägre temperatur än standardtemperaturen när den här funktionen är aktiverad.
- När du kommer hem behöver du komma ihåg att stänga av den här funktionen för att låsa upp de andra knapparna och återställa kylskåpet till dess tidigare temperaturinställningar.

**6 Wi-Fi\*1**

Den här knappen tillåter apparaten att ansluta till ett hem-WiFi-nätverk. Se **SMART FUNCTIONS** för information om den inledande inställningen av **LG ThinQ**-programmet.

**7 Lock\*1**

Med denna knapp låses knapparna på kontrollpanelen.

- För att låsa kontrollpanelens knappar, tryck på och håll ner knappen **Lock** i 3 sekunder och funktionen aktiveras.
- För att inaktivera funktionen, tryck på och håll ner knappen **Lock** i 3 sekunder tills funktionen har avaktiverats.

**ANMÄRKNING**

- För optimal hållbarhet av mat rekommenderas du öka eller sänka 1 °C eller en nivå från standardtemperaturen för varje fack.
- Den visade temperaturen är måltemperaturen och inte den faktiska temperaturen inuti apparaten.
- Den faktiska temperaturen inuti apparaten beror på följande faktorer: rumstemperatur, mängden mat och hur ofta dörrarna öppnas, var apparaten står. Ställ in temperaturerna genom att beakta dessa faktorer.
- Kontrollpanelen försätts automatiskt i energisparläge.
- I samband med rengöring kan oavsiktlig kontakt med kontrollpanelen göra att knappfunktionerna aktiveras.



## Applikationen LG ThinQ

Denna funktion finns bara tillgänglig på modeller med Wi-Fi.

Applikationen **LG ThinQ** låter dig kommunicera med apparaten genom en smartphone.

## Applikationsfunktioner för LG ThinQ

Kommunicera med hushållsapparaten från en smart telefon med hjälp av de praktiska smarta funktionerna.

### Smart Diagnosis

- Om det uppstår problem när du använder apparaten får du hjälp av funktionen Smart Diagnosis att diagnostisera problemet.

### Inställningar

- Tillåter dig att ställa in olika alternativ för kylskåpet och i applikationen.

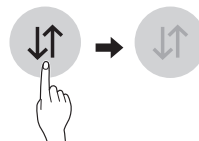
### ANMÄRKNING

- Om du byter din trådlösa router, internetleverantör, eller lösenord, radera den registrerade apparaten från **LG ThinQ**-applikationen och registrera den på nytt.
- Applikationen kan modifieras för förbättring av hushållsapparaten utan att användaren notifieras.
- Funktioner kan variera beroende på modell.

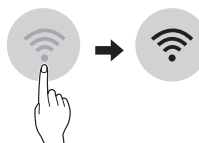
## Innan du använder applikationen LG ThinQ

- 1 Kontrollera avståndet mellan utrustningen och den trådlösa routern (Wi-Fi nätverk).
  - Om avståndet mellan utrustningen och den trådlösa routern är för stor, kommer signalstyrkan att vara svag. Det kan ta ta för lång tid att registrera eller så kan installationen misslyckas.

- 2 Stäng av **Mobildata** på din smarttelefon.



- 3 Anslut din smartphone till den trådlösa routern.



### ANMÄRKNING

- För att verifiera Wi-Fi-anslutningen, kontrollera att Wi-Fi-ikonen på kontrollpanelen lyser.
- Utrustningen stöder endast 2,4 GHz Wi-Fi nätverk. För att kontrollera ditt nätverks frekvens, kontakta din internetleverantör eller sök svar i manualen för den trådlösa router.
- **LG ThinQ** ansvarar inte för eventuella problem med nätverksanslutning eller fel, felfunktioner, eller fel som orsakas av nätverksanslutning.
- Om apparaten har problem vid anslutning till Wi-Fi-nätverket kan den vara för långt ifrån routern. Inskaffa en Wi-Fi repeater (räckviddsutökare) för att förbättra Wi-Fi-signalens styrka.
- Wi-Fi-anslutningen kanske inte kan ansluta eller avbryts på grund av hemnätverksmiljön.
- Nätverksanslutningen kan eventuellt inte fungera ordentligt beroende på internet leverantören.
- Den omgivande Wifi-miljön kan leda till att den trådlösa nätverkstjänsten blir långsam.
- Utrustningen kan inte registreras på grund av problem med transmissionen av den trådlösa signalen. Dra ut utrustningens kontakt och försök på nytt efter några minuter.
- Om din trådlösa routers brandvägg är påslagen, stäng av brandväggen eller skapa ett undantag den.
- Det trådlösa nätverksnamnet (SSID) ska vara en kombination av Engelska bokstäver och nummer. (Använd inte specialtecken)


- Användargränssnittet (UI) i din smartphone kan variera beroende på mobilens operativsystem och hårdvaran.
- Om routerns säkerhetskontroll är inställd på |b|WEP|bb|, kan inställning av nätverk misslyckas. Ändra den till ett annat säkerhetsprotokoll (|b|WPA2|bb| rekommenderas) och registrera produkten igen.

## Installera applikationen LG ThinQ

Sök efter applikationen **LG ThinQ** i Google Play & Apple App Butik på en smartphone.

- Följ instruktionerna för att ladda ner och installera applikationen.

## Ansluta till Wi-Fi

Knappen **Wi-Fi** låter anordningen ansluta till ett Wi-Fi-hemnätverk med hjälp av appen **LG ThinQ**. Ikonen  visar status för anordningens nätverksanslutning. Ikonen är tänd när anordningen är ansluten till Wi-Fi-nätverket.


## Ursprunglig Registrering av Apparat

- Kör **LG ThinQ**-programmet och följ instruktionerna för att registrera apparaten.

## Registrera apparaten på nytt eller registrera ny användare

- Tryck ner och håll inne **Wi-Fi**-knappen under 3 sekunder för att stänga av den tillfälligt. Kör **LG ThinQ**-programmet och följ instruktionerna för att registrera apparaten.

## ANMÄRKNING

- För att inaktivera Wi-Fi-funktionen, tryck på och håll nere knappen **Wi-Fi** i 3 sekunder. Ikonen  kommer att stängas av.

## Information om programvara med öppen källkod

Besök webbplatsen <https://opensource.lge.com> för att hämta källkoden för GPL, LGPL, MPL och andra öppna källkod-licenser som har skyldigheten att avslöja källkoden som ingår för den här produkten och för att få tillgång till alla hänvisade licensvillkor, upphovsrättsmeddelanden och andra relevanta dokument.

LG Electronics tillhandahåller även open source-kod till dig på CD-ROM till en kostnad som täcker utgifterna för att utföra sådan distribution (såsom kostnad för media, transport och hantering) efter e-postbegäran till [opensource@lge.com](mailto:opensource@lge.com).

Detta erbjudande gäller är för alla personer som erhållit denna information under en tidsperiod om tre år från det datum på vilket du inköpte produkten.

## Anmärkningar gällande rengöring

- När du tar bort en hylla eller låda från apparaten, ska du ta bort all mat som förvaras på hyllan eller i lådan för att förhindra person- eller produktskador.
  - Annars kan det uppstå skada på grund av den förvarade matens vikt.
- Om man rengör de yttre luftspringorna på apparaten genom att dammsuga, ska elsladden vara urkopplad för att undvika en statisk urladdning som kan skada de elektroniska delarna eller orsaka en elektrisk stöt.
- Ta loss hyllor och lådor och rengör dem med vatten och torka dem sedan ordentligt innan du sätter tillbaka dem.
- Torka av dörrpackningen regelbundet med en fuktig, mjuk handduk.
- Man ska rengöra spill och fläckar i dörrfacken eftersom fackens förvaringskapacitet påverkas och facken kan till och med bli skadade.
- Kontrollera efter rengöring att elkabeln inte är skadad, varm eller felaktigt ansluten.
- Håll lufthålen på apparatens utsida rena.
  - Vid igensatta lufthål föreligger risk för brand och produktskador.
- Vid rengöring inuti och utanpå utrustningen, använd inte en hård borste, tandkräm eller brandfarligt material. Använd inte rengöringsmedel som innehåller brandfarliga ämnen.
  - Detta kan orsaka att maskinen skadas eller missfärgas.
  - Brandfarliga substanser: alkohol (etanol, metanol, isopropylalkohol, isobutylalkohol o.s.v.), lösningsmedel, blekningsmedel, bensen, brandfarlig vätska, slipmedel o.s.v.
- Använd en ren svamp eller en mjuk trasa och ett mildt rengöringsmedel blandad med varmt vatten för utvändig rengöring av apparaten. Använd inte frätande eller starka rengöringsmedel. Torka noggrant med en mjuk trasa.
- Rengör aldrig hyllorna eller behållarna i diskmaskin.
  - Delarna kan deformeras på grund av värme.
- Rengör regelbundet ytor som kommer i kontakt med livsmedel och de utloppssystem som du kommer åt.
- Om utrustningen har en LED-belysning, ta inte bort lampans lock och LED-belysningen i ett försök att reparera den på egen hand. Kontakta LG Electronics kundcenter.

## Kassera den gamla apparaten



- Den överkorsade soltunnnesymbolen indikerar att elektroniskt och elektriskt avfall (WEEE) ska kasseras separat från hushållsavfallet och lämnas in till av kommunen anvisat ställe för återvinning.
- Gamla elektroniska och elektriska produkter kan innehålla farliga substanser så korrekt avfallshantering av produkten förhindrar negativa konsekvenser för miljön och den mänskliga hälsan. Din gamla apparat kan innehålla återanvändningsbara delar som används för att reparera andra produkter och andra värdefulla material som kan återvinnas för att spara begränsade resurser.
- Du kan ta din gamla apparat till butiken där du köpte produkten, eller kontakta din kommun för information om närmaste WEEE-uppsamlingsställe. För den mest uppdaterade informationen i ditt land, gå till [www.lg.com/global/recycling](http://www.lg.com/global/recycling)

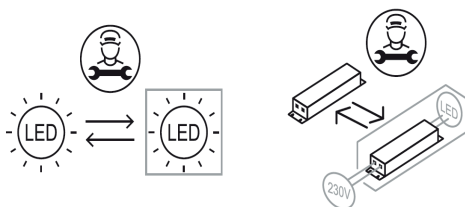
## Kundtjänst och service

Kontakta ett av LG Electronics kundinformationscenter.

- För information om LG-auktoriserade servicecenter, besök vår hemsida [www.lg.com](http://www.lg.com).
- Demontering, reparation och modifiering av apparaten får endast utföras av behörig personal från LG-auktoriserade servicecenter.
- Minsta garantiperiod för denna kylapparat är 24 månader.
- Kontakta ett av LG Electronics kundinformationscenter eller vår hemsida [www.lg.com](http://www.lg.com) för att köpa reservdelar.
- Reservdelar som hänvisas till i förordning EU 2019/2019 finns tillgängliga i 7 år (endast dörrpackningar finns tillgängliga i 10 år).

## ANMÄRKNING

- För mer information om apparatens energieffektivitet, besök <https://ec.europa.eu> och sök genom att använda modellnamnet (giltigt från 1 mars 2021).
- Förordning EU 2019/2019, giltig från och med den 1 mars 2021, är relaterad till klasserna för energieffektivitet genom förordning EU 2019/2016.
- Skanna QR-koden på energietiketten som medföljer apparaten, vilken ger en webblänk till informationen relaterad till apparatens prestanda i EU EPREL-databasen. Spara energietiketten som referens och alla andra dokument som medföljer apparaten (giltigt från 1 mars 2021).
- Modellnamnet finns på apparatens klassificeringsetikett.
- Denna produkt innehåller en ljuskälla av energieffektivitetsklass G.

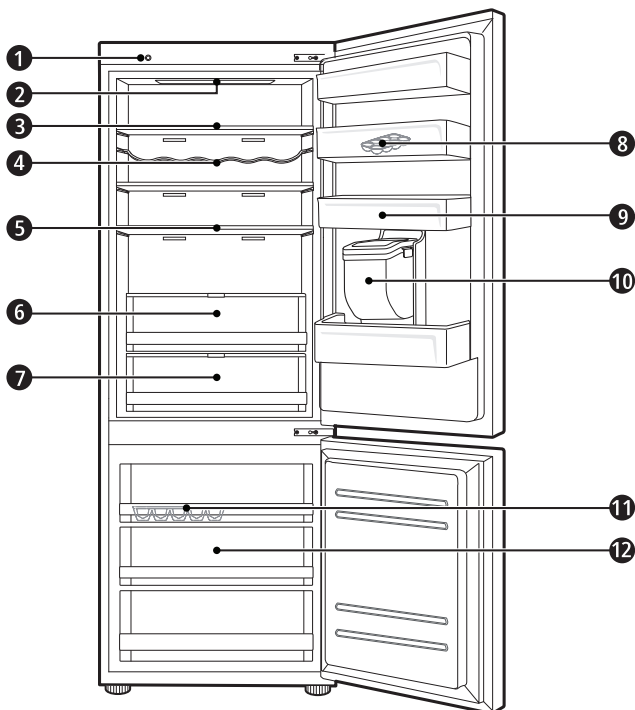


# Memo

# Memo

# Memo

## Parts



① Smart Diagnosis Unit ( \* )

② LED Lamp

③ Fridge Shelf

④ Bottle Rack ( \* )

⑤ Folding Shelf ( \* )

⑥ Fresh Vegetable Drawer ( \* )

⑦ Fresh Converter ( \* )

⑧ Movable Egg Tray

⑨ Fridge Door Basket

⑩ Water Dispenser Tank ( \* )

⑪ Ice Tray

⑫ Freezer Drawer

### NOTE

• ( \* ) : This feature varies depending on the model purchased.




## Warning for flammable material



- A **(EN)** Warning: Risk of fire / Flammable materials / **(BG)** Предупреждение : Риск от пожар / Запалими материали / **(CZ)** Varování : Nebezpečí vzniku požáru / Hořlavé materiály / **(DA)** Advarsel: brandrisiko /brandbare materialer / **(DE)** Warnung : Brandgefahr / Brennbar e Materialien / **(ES)** Advertencia : Riesgo de incendio Materiales inflamables / **(ET)** Hoiatus : tuleoht /Tuleohtlikud materjalid / **(FI)** Varoitus : Tulipalovaara/syttyviä materiaaleja / **(FR)** Avertissement : Risque d'incendie / Matériaux inflammables / **(GR)** Προειδοποίηση : Κίνδυνος φωτιάς / Εύφλεκτα υλικά / **(HR)** Upozorenje : Opasnost od požara / Zapaljivi materijali / **(HU)** Figyelmeztetés : Tűzveszély / Gyúlékony anyagok / **(IT)** Attenzione : rischio d'incendio / Materiale infiammabile **(LT)** Įspėjimas: gaisro rizika / Degiosios medžiagos / **(LV)** Brīdinājums: Ugunsgrēka risks / Viegli uzliesmojoši materiāli / **(MK)** Предупредување : Опасност од пожар / Запаливи материјали / **(NL)** Waarschuwing : Brandgevaar / Brandbare materialen / **(NO)** Advarsel : Brannfare / Brennbar e materialer / **(PL)** Ostrzeżenie : Ryzyko pożaru / Materiały łatwopalne / **(PT)** Aviso : Risco de incêndio / Materiais inflamáveis / **(RO)** Avertisment : Risc de incendiu / Materiale inflamabile / **(SK)** Varovanie : Nebezpečenstvo požiaru / Horľavé materiály / **(SL)** Opozorilo : nevarnost požara / Vnetljivi materiali / **(SQ)** Paralajmërim : Rrezik zjarri / Materiale të ndezshme / **(SR)** Upozorenje : Opasnost od požara / Zapaljivi materijali / **(SV)** Varning : Brandrisk / Brandfarligt material
- B **(EN)** Isobutane, R600a / **(BG)** Изобутан, R600a / **(CZ)** Izobutan, R600a / **(DA)** Isobutan, R600a / **(DE)** Isobutan, R600a / **(ES)** Isobutano, R600a / **(ET)** Isobutaan, R600a / **(FI)** Isobutaani, R600a / **(FR)** Isobutane, R600a / **(GR)** Ισοβουτάνιο, R600a / **(HR)** Izobutan, R600a / **(HU)** Izobután, R600a / **(IT)** Isobutano, R600a / **(LT)** Izobutanas, R600a / **(LV)** Izobutāns, R600a / **(MK)** Изобутан, R600a / **(NL)** Isobutaan, R600a / **(NO)** Isobutan, R600a / **(PL)** Izobutan, R600a / **(PT)** Isobutano, R600a / **(RO)** Izobutan, R600a / **(SK)** Izobután, R600a / **(SL)** Izobutan, R600a / **(SQ)** Izobutan, R600a / **(SR)** Izobutan, R600a / **(SV)** Isobuten, R600a
- C **(EN)** Cyclopentane / **(BG)** Циклопентан / **(CZ)** Cyklopentan / **(DA)** Cyklopentan / **(DE)** Zyκλο-Pentan / **(ES)** Cidopentano / **(ET)** Tsüklopentaan / **(FI)** syklopentaani / **(FR)** Cyclopentane / **(GR)** Κυκλοπεντάνιο / **(HR)** Ciklopentan / **(HU)** Ciklopentán / **(IT)** Ciclopentano / **(LT)** Ciklopentanas / **(LV)** Ciklopentāns / **(MK)** Циклопентан / **(NL)** Cyclopentaan / **(NO)** Syklopentan / **(PL)** Cyklopentan / **(PT)** Ciclopentano / **(RO)** Cidopentan / **(SK)** Cyklopentán / **(SL)** Ciklopentan / **(SQ)** Ciklopentan / **(SR)** Ciklopentan / **(SV)** Cyclopentan


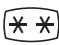

# Rating label


**REFRIGERATOR-FREEZER FROST FREE**  
**KÜHL- UND GEFRIERSCHRANK FROSTFREI**  
**FRIGORIFERO-FREEZER SCOMPARTI NO-FROST**  
**ΨΥΓΕΙΟ-ΚΑΤΑΨΥΞΗ ΧΩΡΙΣ ΠΑΓΟ**

**B** MODEL / Modell / Modello / Μοντέλο :  
Product code :

**C** CLIMATE CLASS / Klima klasse / Classe climatica  
/ Κλιματική κλάση


**D** DEFROSTING INPUT / Entfrostageingang  
/ Potenza in entrata di scongelamento / Ισχύς απόψυξης

Volume	Total	Fridge 	Freezer 	Ice making
	Chill	Two star 		

**L** RATED INPUT OF ICEMAKER / Nenneingang der Eismaschine / Potenza nominale in entrata della macchina per il ghiaccio / Ονομαστική ισχύς παγομηχανής

**M** FREEZING CAPACITY / Gefrierkapazität  
/ Potenza di congelamento / Ικανότητα ψύξης

MADE IN POLAND / Hergestellt in Poland / Prodotto in Poland/  
ΚΑΤΑΣΚΕΥΑΖΕΤΑΙ ΣΤΗΝ ΠΟΛΩΝΙΑ


**REFRIGERATOR-FREEZER FROST FREE**  
**KÜHL- UND GEFRIERSCHRANK FROSTFREI**  
**FRIGORIFERO-FREEZER SCOMPARTI NO-FROST**  
**ΨΥΓΕΙΟ-ΚΑΤΑΨΥΞΗ ΧΩΡΙΣ ΠΑΓΟ**

**B** MODEL / Modell / Modello / Μοντέλο :  
Product code :

**R** \* The Value in ( ) is according to new standard EN62552:2020.

**C** CLIMATE CLASS / Klimaklasse / Classe climatica  
/ Κλιματική κλάση

**D** DEFROSTING INPUT / Entfrostageingang  
/ Potenza in entrata di scongelamento / Ισχύς απόψυξης

GROSS VOL	STORAGE					
	TOTAL	FRIDGE	FREEZER	TWO STAR SECTION	CHILL	0 STAR
	NEW *					

**Q** TEMPERATURE RISE TIME / Temperaturanstiegszeit  
/ Tempo necessario per l'aumento della temperatura  
/ Χρόνος αύξησης θερμοκρασίας

**M** FREEZING CAPACITY / Gefrierkapazität  
/ Potenza di congelamento / Ικανότητα ψύξης

MADE IN POLAND / Hergestellt in Poland / Prodotto in Poland/  
ΚΑΤΑΣΚΕΥΑΖΕΤΑΙ ΣΤΗΝ ΠΟΛΩΝΙΑ

- A (EN) Refrigerator-freezer Frost free / (BG) Хладилник-фризер Без скреж / (CZ) Chladnička s mrazničkou, Beznámrazová / (DA) No frost-køleskab/fryser / (ES) Refrigerador-congelador Libre de escarcha / (ET) Kūlmik-sūgavkūlmik Kūlmumiskindel / (FI) Jääkaappi-pakastin, automaattisulatteinen / (FR) Réfrigérateur-congérateur Sans givre / (HR) Hladnjak-zamrzivač Bez nakupljanja leda / (HU) Hűtőszekrény-fagyasztó Jegesedésmentes / (LT) Šaldytuvas-saldiklis Be šerkšno / (LV) Ledusskapis-saldētava Bezarnas nodalījums / (MK) Фрижидер-замрзувач без мраз / (NL) Koel-vriescombinatie No-frost / (NO) Frostfri kjøleskap med fryser / (PL) Chłodziarko-zamrażarka System bezszronowy / (PT) Frigorífico-congelador Sem gelo / (RO) Frigider-congelator Fără gheață / (SK) Chladnička s mrazničkou Beznámrazový systém / (SL) Hladilnik-zamrzovalnik Brez ledu / (SQ) Frigorifer-ngirës pa ngricë / (SR) Frižider-zamrzivač Bez zamrzavanja / (SV) Frostfritt Kyl-och frysskåp
- B (EN) Model / (BG) Модел / (CZ) Model / (DA) Model / (ES) Modelo / (ET) Mudel / (FI) Malli / (FR) Modèle / (HR) Model / (HU) Modell / (LT) Modelis / (LV) Modelis / (MK) Модел / (NL) Model / (NO) Modell / (PL) Model / (PT) Modelo / (RO) Model / (SK) Model / (SL) Model / (SQ) Modeli / (SR) Model / (SV) Modell
- C (EN) Climate class / (BG) Климатичен клас / (CZ) Klimatická třída / (DA) Klimaklasse / (ES) Clase climática / (ET) Klimaklass / (FI) Ilmastoluokka / (FR) Classe climatique / (HR) Klimatski razred / (HU) Klima osztály / (LT) Klimato klasė / (LV) Klimata klase / (MK) Климатска класа / (NL) Klimaatklasse / (NO) Klimaklasse / (PL) Klasa klimatyczna / (PT) Classe climática / (RO) Clasa de climatizare / (SK) Klimatická trieda / (SL) Klimatski razred / (SQ) Kategoria e klimës / (SR) Klimatska klasa / (SV) Miljöklass
- D (EN) Defrosting input / (BG) Потребявана мощност за размразяване / (CZ) Přikon při rozmrazování / (DA) Optøningsindgang / (ES) Entrada de desescarche / (ET) Sulatamise sisend / (FI) Sulatuksen tulo / (FR) Entrée de décongélation / (HR) Ulaz odmrzavanja / (HU) Leolvasztási bemenet / (LT) Energijos poreikis atšildymui / (LV) Atsaldēšanas ievade / (MK) Одрмрзувачки влез / (NL) Ingang ontdoeien / (NO) Nominel avtining / (PL) Pobór mocy przy rozmrażaniu / (PT) Entrada para descongelação / (RO) Putere dezaghetare / (SK) Přikon rozmrazovania / (SL) Odjemna moč za odleditev / (SQ) Hyrja e shkrijres / (SR) Ulazna snaga za odmrzavanje / (SV) Avfrostningse`ekt
- E (EN) Volume / (BG) Объем / (CZ) Objem / (DA) Volumen / (DE) Volumen / (EL) Όγκος / (ES) Volumen / (ET) Maht / (FI) Määrä / (FR) Volume / (HR) Zapremina / (HU) Térfogat / (IT) Volume / (LT) Tūlpa / (LV) Skajums / (MK) Количина / (NL) Volume / (NO) Volum / (PL) Objętość / (PT) Volume / (RO) Volum / (SK) Objem / (SL) Prostornina / (SQ) Vëllim / (SR) Zapremina / (SV) Volym
- F (EN) Total / (BG) Общо / (CZ) Celkem / (DA) Total / (DE) Gesamt / (EL) Σύνολο / (ES) Total / (ET) Kokku / (FI) Yhteensä / (FR) Total / (HR) Ukupno / (HU) Összesen / (IT) Totale / (LT) Iš viso / (LV) Kopā / (MK) Вкупно / (NL) Totaal / (NO) Totalt / (PL) Łącznie / (PT) Total / (RO) Total / (SK) Celkovo / (SL) Skupaj / (SQ) Totali / (SR) Ukupno / (SV) Totalt
- G (EN) Fridge / (BG) Хладилник / (CZ) Chladnička / (DE) Kühlschrank / (DA) Køleskab / (EL) Καταψυκτήρας / (ES) Frigorífico / (ET) Kūlmik / (FI) Jääkaappi / (FR) Réfrigérateur / (HR) Hladnjak / (HU) Hűtőszekrény / (IT) Frigorifero / (LT) Šaldytuvas / (LV) Ledusskapis / (MK) Фрижидер / (NL) Koelkast / (NO) Kjøleskap / (PL) Lodówka / (PT) Frigorífico / (RO) Frigider / (SK) Chladnička / (SL) Hladilnik / (SQ) Frigoriferi / (SR) Frižider / (SV) Kylskåp
- H (EN) Freezer / (BG) Фризер / (CZ) Mraznička / (DA) Fryser / (DE) Gefrierschrank / (ES) Congelador / (ET) Sūgavkūlmik / (FI) Pakastin / (FR) Congélateur / (GR) Καταψυκτήρας / (HR) Zamrzivač / (HU) Fagyasztó / (IT) Freezer / (LT) Saldiklis / (LV) Saldētava / (MK) Замрзувач / (NL) Vriescombinatie / (NO) Fryser / (PL) Zamrażalnik / (PT) Congelador / (RO) Congelator / (SK) Mraznička / (SL) Zamrzovalnik / (SQ) Ngrirës / (SR) Zamrzivač / (SV) Frysskåp
- I (EN) Ice making / (BG) Ледогенератор / (CZ) Výroba ledu / (DA) Isterningmaskine / (DE) Eisherstellung / (EL) Παραγωγή πάγου / (ES) Fabricación de hielo / (ET) Jää valmistamine / (FI) Jääpalojen valmistus / (FR) Fabrication de glace / (HR) Pravljenje leda / (HU) Jégkészítés / (IT) Produzione ghiaccio / (LT) Ledo gaminimas / (LV) Ledus gatavošana / (MK) Правeње мраз / (NL) Ijs maken / (NO) Ismaskin / (PL) Wytwarzanie lodu / (PT) Produção de gelo / (RO) Utilizarea dozatorului de gheață / (SK) Výrobník ľadu / (SL) Izdelava ledu / (SQ) Prodhimi i akullit / (SR) Ledomat / (SV) Istillverkning
- J (EN) Chill / (BG) студенина / (CZ) chlad / (DA) Kold / (DE) Kühle / (ES) frío / (EL) ψύχρα / (ET) külmus / (FI) Jäähdytys / (FR) Fraîcheur / (HR) hladnoća / (HU) hűtéső / (IT) Freddo / (LT) šaltumas / (LV) Aukstums / (MK) студенило / (NL) koude / (NO) avkjøle / (PL) Komora schładzania / (PT) frio / (RO) Răcire / (SK) chlad / (SL) hladnost / (SQ) ftohtësi / (SR) Hladnoća / (SV) kyla
- K (EN) Two star / (BG) 2 звезди / (CZ) Dvě hvězdičky / (DA) To stjerner / (DE) Zwei Sterne / (EL) 2 αστέρων / (ES) 2 estrellas / (ET) Kahetärniline / (FI) Kaksi tähteä / (FR) Deux étoiles / (HR) Dvije zvijezde / (HU) Két csillag / (IT) 2 stelle / (LT) Dvi žvaigždutės / (LV) Divas zvaigznes / (MK) 2 звезди / (NL) Twee sterren / (NO) To stjerner / (PL) Dwie gwiazdki / (PT) Duas estrelas / (RO) Două stele / (SK) Dve hviezdičky / (SL) Dve zvezdici / (SQ) Me dy yje / (SR) Dve zvezdice / (SV) Två stjärnor

- L** (EN) Rated input of icemaker / (BG) Потребявана мощност от ледогенератора / (CZ) Jmenovitý vstup výrobníku ledu / (DA) Vurderet input af isterningsmaskine / (DE) Nennlast von eisbereiter / (EL) Ονομαστική εισοδος παγομηχανής / (ES) Entrada nominal del fabricante de hielo / (ET) Hinnanguline jäämasina sisend / (FI) Jääpalakoneen nimellisyöttöteho / (FR) Puissance nominale machine à glace / (HR) Nazivna ulazna s naga ledomata / (HU) A jégkészítő névelges bemenete / (IT) Potenza nominale di ingresso della macchina per il ghiaccio / (LT) Ledo gaminimo aparato vardinė įėjimo galia / (LV) Ledus ražotāja nominālā ieeja / (MK) Номинална моќност на апарат за мраз / (NL) Nominale ingang van de ijsmachine / (NO) Rangert inngang av ismaskin / (PL) Znamionowa pojemność wejściowa kostkarki do lodu / (PT) Potência de entrada nominal da máquina de gelo / (RO) Putere consumată dozatorului de gheață / (SK) Menovitý príkon výrobníka ľadu / (SL) Nazivni vhod aparata za led / (SQ) Inputi i vlerësuar i makinerisë së akullit / (SR) Nazivni unos ledomata / (SV) Märkeffekt för ismaskin /
- M** (EN) Freezing Capacity / (BG) Капацитет на замразяване / (CZ) Mrazicí výkon / (DA) ndfrysningskapacitet / (ES) Capacidad de congelación / (ET) Külmutusvõimsus / (FI) Pakastuskapasiteetti / (FR) Capacité de congélation / (HR) Kapacitet zamrzavanja / (HU) Fagyasztási kapacitás / (LT) Šaldymo geba / (LV) Saldēšanas jauda / (MK) Капацитет за замрзнување / (NL) Vriesvermogen / (NO) Frysekapasitet / (PL) Wydajność zamrażania / (PT) Capacidade de congelamento / (RO) Capacitatea frigerurului / (SK) Kapacita mrazenia / (SL) Zamrzovalna zmogljivost / (SQ) Vkapaciteti ngrirës / (SR) Kapacitet zamrzavanja / (SV) Fryskapacitet /
- N** (EN) Gross VOL/ (BG) Бруто обем / (CZ) Hrubý objem úložného prostoru / (DA) Bruttokapacitet / (DE) Bruttovolumen / (EL) Συνολικός όγκος / (ES) Volumen bruto / (ET) Kogumah / (FI) Bruttotilavuus / (FR) Volume brut / (HR) Bruto obujam / (HU) Bruttó térfogat / (IT) Volume lordo / (LT) Bendroji talpa / (LV) Bruto tilpums / (MK) Бруто волумен / (NL) Bruttovolume / (NO) Bruttovolum / (PL) Pojemność brutto / (PT) Volume bruto / (RO) Volum brut / (SK) Hrubý objem / (SL) Bruto prostornina / (SQ) Volumi bruto / (SR) Bruto zapremina / (SV) Bruttovolym /
- O** (EN) Storage VOL/ (BG) полезен обем / (CZ) úložný prostor / (DA) Opbevaringskapacitet / (DE) Speichervolumen / (EL) αποθηκευτικός όγκος / (ES) Volumen de almacenaje / (ET) Hoiustamise kogumaht / (FI) Säilytystilavuus / (FR) Volume de stockage / (HR) obujam skladištenja / (HU) tároló térfogat / (IT) volume di conservazione / (LT) Sandėliavimo talpa / (LV) nodalījuma tilpums / (MK) Волумен за складирање / (NL) Opslagvolume / (NO) Lagringsvolum / (PL) pojemność przechowywania / (PT) Volume de armazenamento / (RO) Volum de depozitare / (SK) objem úložného priestoru / (SL) prostornina shranjevalnega prostora / (SQ) Volumi i ruajtjes / (SR) skladišna zapremina / (SV) lagringsvolym /
- P** (EN) 0 star / (BG) 0 звезди / (CZ) 0 hvězdičkami / (DA) 0-stjernet / (DE) 0 Sterne / (EL) 0 αστέρων / (ES) 0 estrellas / (ET) 0-tärniline / (FI) Ostar / (FR) 0 étoile / (HR) 0 zvjezdice / (HU) 0 csillagos / (IT) Ostar / (LT) 0 žvaigždučių / (LV) 0 zvaigžņu / (MK) 0 ѕвезди / (NL) 0-ster / (NO) 0-stjerner / (PL) 0 gwiazdek / (PT) 0 estrelas / (RO) 0 stele / (SK) 0 hviezdičkovým / (SL) Oddelek z 0 / (SQ) 0 yje / (SR) Ostar / (SV) 0 stjärnig
- Q** (EN) Temperature rise time / (BG) Време за повишаване на температурата / (CZ) Bezpečná doba uchování bez napájení / (DA) Temperaturstigningstid / (ES) Tiempo de incremento de temperatura / (ET) Temperatuuri tõusmise aeg / (FI) Lämpötilan nousuaika / (FR) Durée de l'augmentation de température / (HR) Vrijeme porasta temperature / (HU) Visszamelegedési idő / (LT) Temperatūros nuostacio pasiekimo trukmė / (LV) Temperatūras paaugstināšanās laiks / (MK) Време на зголемување на температурата / (NL) Tijd temperatuurstijging / (NO) Temperaturstigningstid / (PL) Czas wzrostu temperatury / (PT) Tempo de subida da temperatura / (RO) Timp de creștere a temperaturii / (SK) Doba bezpečného uchovania pri vypnutom napájaní / (SL) Čas dviga temperature / (SQ) Koha e ngritjes së temperaturës / (SR) Vreme rasta temperature / (SV) Temperaturens ökningstid
- R** (EN) The value in ( ) is according to new standard EN62552:2020. / (BG) Стойността в ( ) е съгласно новия стандарт EN62552:2020. / (CZ) Hodnota v ( ) je podle nové normy EN62552:2020. / (DA) Værdien i ( ) er ifølge ny standard EN62552:2020. / (DE) Der Wert in ( ) entspricht der neuen Norm EN62552:2020. / (ES) El valor de ( ) es conforme al nuevo estándar EN62552:2020. / (EL) Η τιμή στο ( ) είναι σύμφωνα με το νέο πρότυπο EN62552:2020. / (ET) Sulgudes toodud väärtus ( ) vastab uuele standardile EN62552:2020. / (FI) Arvo kohdassa ( ) on uuden standardin EN62552:2020 mukainen. / (FR) La valeur dans ( ) correspond à la nouvelle norme EN62552:2020. / (HR) Vrijednost u ( ) u skladu je s novim standardom EN62552:2020. / (HU) A zárójelben ( ) az új, EN62552:2020 szabvány szerinti érték látható. / (IT) Il valore in ( ) è secondo la nuova norma EN62552:2020. / (LT) Reikšmė ( ) pateikta pagal naująjį standartą EN62552:2020. / (LV) Vērtība ( ) ir saskaņā ar jauno standartu EN62552:2020. / (MK) Вредноста во ( ) е во согласност со новиот стандард EN62552:2020. / (NO) Verdien i ( ) er i henhold til ny standard EN62552:2020. / (NL) De waarde in ( ) is volgens de nieuwe norm EN62552:2020. / (PL) Wartość podana w ( ) jest zgodna z nową normą EN62552:2020. / (PT) O valor de ( ) está de acordo com a nova norma EN62552:2020. / (RO) Valoarea din ( ) este conformă noului standard EN62552:2020. / (SK) Hodnota v ( ) je podľa novej normy EN62552:2020. / (SL) Vrednost v ( ) je v skladu z novim standardom EN62552:2020. / (SQ) Vlera në ( ) është vendosur sipas standardit të ri EN62552:2020. / (SR) Vrednost u ( ) je po novom standardu EN62552:2020. / (SV) Vlera në ( ) është vendosur sipas standardit të ri EN62552:2020.



Ovaj dokument je originalno proizveden i objavljen od strane proizvođača, brenda LG, i preuzet je sa njihove zvanične stranice. S obzirom na ovu činjenicu, Tehnoteka ističe da ne preuzima odgovornost za tačnost, celovitost ili pouzdanost informacija, podataka, mišljenja, saveta ili izjava sadržanih u ovom dokumentu.

Napominjemo da Tehnoteka nema ovlašćenje da izvrši bilo kakve izmene ili dopune na ovom dokumentu, stoga nismo odgovorni za eventualne greške, propuste ili netačnosti koje se mogu naći unutar njega. Tehnoteka ne odgovara za štetu nanесenu korisnicima pri upotrebi netačnih podataka. Ukoliko imate dodatna pitanja o proizvodu, ljubazno vas molimo da kontaktirate direktno proizvođača kako biste dobili sve detaljne informacije.

Za najnovije informacije o ceni, dostupnim akcijama i tehničkim karakteristikama proizvoda koji se pominje u ovom dokumentu, molimo posetite našu stranicu klikom na sledeći link:

<https://tehnoteka.rs/p/lg-kombinovani-frizider-gbv7280cev-akcija-cena/>