

Uputstvo za upotrebu (EN)

SENCOR usisivač SVC 52WH-EUE3

SENCOR



Tehnoteka je online destinacija za upoređivanje cena i karakteristika bele tehnike, potrošačke elektronike i IT uređaja kod trgovinskih lanaca i internet prodavnica u Srbiji. Naša stranica vam omogućava da istražite najnovije informacije, detaljne karakteristike i konkurentne cene proizvoda.

Posetite nas i uživajte u ekskluzivnom iskustvu pametne kupovine klikom na link:

<https://tehnoteka.rs/p/sencor-usisivac-svc-52wh-eue3-akcija-cena/>

Vacuum Cleaner

User's manual

EN



SENCOR®

SVC 52BK / SVC 52GR

/ SVC 52WH

Translation of the original manual

Before first use, please read all instructions contained in this user's manual carefully, even if you are already familiar with using similar products. Only use this product in accordance with the instructions described in the user's manual. Keep the user's manual in a safe place where it can be easily retrieved for future use.

Save the original packaging, including the internal packing material, warranty card and proof of purchase receipt, at least for the duration of the warranty. If you need to ship this product, pack it in the original cardboard box to ensure maximum protection during shipping or transport (e.g. when moving or when you need to send this product for repair).

EN-1

Vacuum Cleaner

SVC 52BK / SVC 52GR / SVC 52WH

CONTENTS

IMPORTANT SAFETY NOTICE	3
DESCRIPTION OF THE VACUUM CLEANER	5
VACUUM CLEANER ASSEMBLY	6
INSTRUCTIONS FOR USE	6
VACUUM CLEANER STORAGE	8
CLEANING AND MAINTENANCE	8
TROUBLESHOOTING	10
TECHNICAL DETAILS	10
INCLUDED CONTENTS	11
DISPOSAL OF USED ELECTRICAL AND ELECTRONIC EQUIPMENT	12
INSTRUCTIONS AND INFORMATION REGARDING THE DISPOSAL OF USED PACKAGING MATERIALS	12

IMPORTANT SAFETY NOTICE

READ CAREFULLY AND STORE FOR FUTURE USE.

- This vacuum cleaner may be used by children 8 years of age and older and by persons with physical or mental impairments or by inexperienced persons, if they are properly supervised or have been informed about how to use this vacuum cleaner in a safe manner and understand the potential dangers. Children must not play with the vacuum cleaner. Cleaning and maintenance performed by the user must not be performed by unsupervised children. Keep the vacuum cleaner and its accessories out of reach of children that are younger than 8 years of age.
- This vacuum cleaner is designed for use in households, offices and similar types of areas. Do not use in industrial surroundings.
- Do not expose the vacuum cleaner to direct sunlight and do not place it near an open fire or appliances that are a source of heat.
- Before connecting the power cord to a power socket, check that the technical details on the vacuum cleaner's rating label match the electrical voltage in the socket.
- Make sure the power cord is not touching a hot surface or sharp objects.
- Do not submerge the vacuum cleaner under water or any other liquid and do not rinse it under running water.
- Before turning on the vacuum cleaner, make sure that the dust bag is inserted inside and that the inflow micro-filter and the outflow filter are installed in their place.
- When the vacuum cleaner is running, ensure that the air outlets and the suction opening are not blocked.

Vacuum Cleaner

SVC 52BK / SVC 52GR / SVC 52WH

- Do not use the vacuum cleaner to vacuum the following items:
 - smouldering cigarettes, burning items, matches or embers;
 - water and other liquids;
 - flammable or volatile materials;
 - sharp items, e.g. broken glass, needles, pins, etc.;
 - flour, wall plaster, cement and other building materials;
 - larger pieces of paper or plastic bags, which can easily block the suction opening.
- Vacuuming of some types of floors or floor surfaces can create a electrostatic discharge, which presents no danger to the user.
- Do not place the suction nozzle or tube against any parts of the face.
- Always turn off the vacuum cleaner and disconnect it from the power socket when leaving it without supervision, after finishing using it and before cleaning it.
- Disconnect the power cord from the power socket by pulling on the plug, never pulling on the cord. Otherwise, this could damage the power cord or the socket. Hold the power cord in your hand when winding it up.
- In the event that the power cord is damaged, it must be replaced by an authorised service centre or by a similarly qualified person, this will prevent the creation of a dangerous situation. It is forbidden to use the vacuum cleaner if it has a damaged power cord.
- Do not use the vacuum cleaner if it is not working correctly, if it has been damaged or has been submerged in water. Do not repair the vacuum cleaner yourself or make any adjustments to it. Have all repairs performed at an authorised service centre. By tampering with the appliance, you risk voiding your legal rights arising from unsatisfactory performance or quality warranty.

Vacuum Cleaner

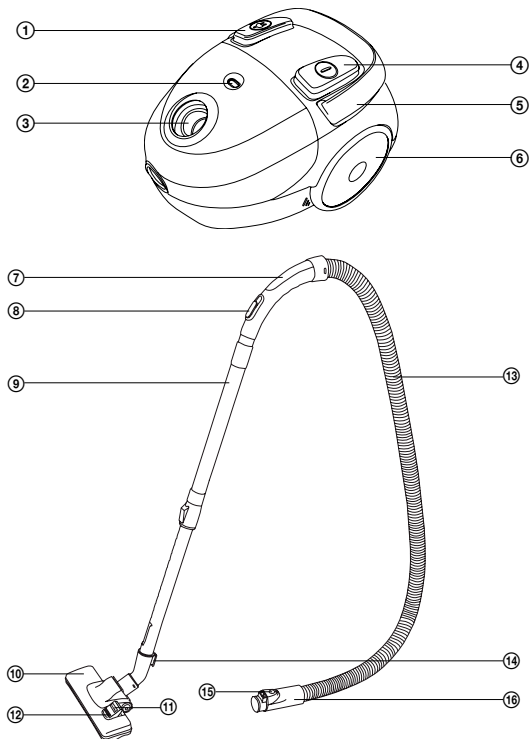
SVC 52BK / SVC 52GR / SVC 52WH

EN

DESCRIPTION

A

- ① Cord winding button
- ② Full bag indicator
- ③ Air suction opening
- ④ START/STOP button
- ⑤ Vacuum cleaner handle
- ⑥ Vacuum cleaner wheel
- ⑦ Handle
- ⑧ Sliding knob for air suction
- ⑨ Telescopic tube
- ⑩ Floor inlet nozzle
- ⑪ Flap position for vacuuming carpets
- ⑫ Flap position for vacuuming hard (smooth) floors
- ⑬ Hose
- ⑭ Stopper for the parking position
- ⑮ Clip
- ⑯ Hose end

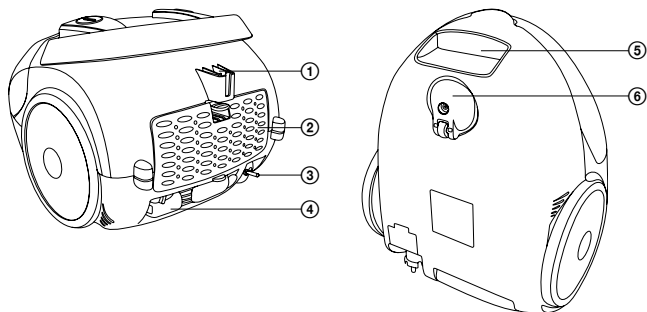


EN-5

Vacuum Cleaner

SVC 52BK / SVC 52GR / SVC 52WH

B



- ① Parking position
- ② Cover grill of the outflow filter
- ③ Power cord
- ④ Combination nozzle
- ⑤ Carry handle
- ⑥ Front wheel mechanism

ASSEMBLY

Insert the hose into the air suction opening

Press both the safety buttons on the end of the hose end and insert the hose end into the air suction opening on the vacuum cleaner until you hear a "click". The hose is now secured in correct position.

Attach the holder to the telescopic tube

Make sure to place the holder with the hose on the wider part of the telescopic tube.

Attach the floor inlet nozzle to the telescopic tube

Make sure the floor nozzle is attached the narrower part of the telescopic tube.

INSTRUCTIONS FOR USE

Connecting your vacuum cleaner to the electrical power grid

Pull the plug attached to the power cord out from the vacuum cleaner until the desired length of the cord is out of the product. Insert the plug into the wall outlet.



Note:

Yellow marking on the supply cable warns that the cable is close to its end. Do not pull the cable more than to the red marking.

Vacuum Cleaner

SVC 52BK / SVC 52GR / SVC 52WH

EN

Adjusting the floor inlet nozzle according to the floor surface.

You may set the inlet nozzle according to the floor surface by adjusting the inlet flap:

- If you want to vacuum carpets, close the bristles of the inlet inside the inlet nozzle, by turning the flap accordingly.
- If you want to vacuum hard and smooth surfaces, move the bristles out of the nozzle, by turning the flap accordingly.

Turning your vacuum cleaner on and off

To switch your machine on or off, press the START / STOP button on the vacuum cleaner body.

Adjusting the suction strength

Suction can be controlled by a sliding flap on the hose handle.



Tip:

If the hose holder becomes blocked when vacuuming, disconnect it from the tube and also disconnect the hose from the vacuum cleaner body. Then place the holder inside the suction hole on the vacuum cleaner body and vacuum the stuck dirt out.

Temporary interruption of the vacuuming process

If you wish to interrupt vacuuming for a short time, using the lug place the floor nozzle into the parking position in its rear part.



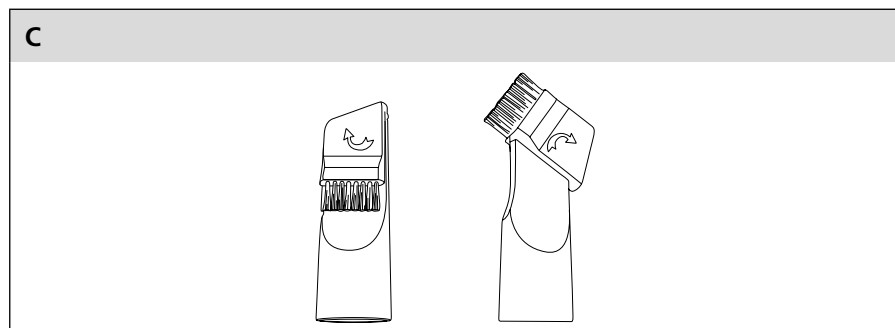
Note:

Do not move the vacuum cleaner from place to place if the hose is in the parked position!
You may brake off the parking position holder!

Using your accessories

A space for the combination nozzle is located in the bottom part of the vacuum cleaner.

The combination nozzle may be used to vacuum in hard-to-reach spaces such as window frames, libraries, upholstery corners, joints, etc.). By turning the brushes out you get a brush nozzle suitable for vacuuming e.g. dust from smaller types of surfaces, grills, keyboards, etc.



Ending the vacuuming process

When you finish vacuuming, switch the vacuum cleaner off by pressing the START / STOP button and then disconnect the power cord plug from the socket.

To wind the power cord back to the vacuum cleaner, press and hold the winding button with one hand. Hold the cable with your other hand to protect the vacuum cleaner input area from damage.

Vacuum Cleaner

SVC 52BK / SVC 52GR / SVC 52WH


Tip:

If the winding process stops and part of the power cord is still outside, release the winding button and pull the cable out again by about 50cm and press the winding button again and repeat the winding process.

Carrying your vacuum cleaner

If you need to carry the vacuum cleaner, you can hold it by the handle or the holder.

STORAGE OF VACUUM CLEANER

Before storage you can disassemble your product into the individual parts or you can store it assembled and lock the floor nozzle in the parking position.

CLEANING AND MAINTENANCE

Note:

Always remove the power cord from the power socket before cleaning.

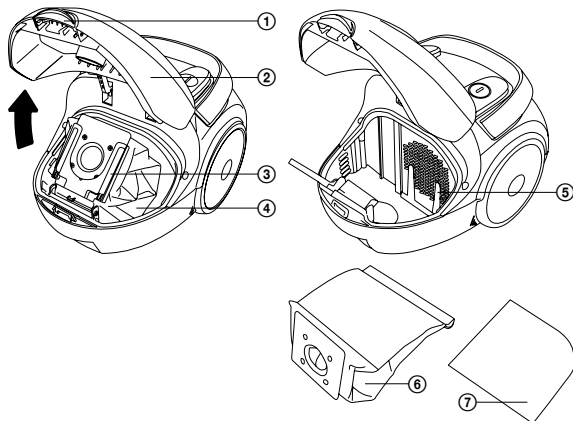
Changing the dust bag

If while the suction hose is lifted above the vacuumed area and the power is set to maximum and the full dust bag indicator seen through the clear window shows „full“ (full colour in the indicator) then it is necessary to replace the dust bag:

- 1) Open the vacuum cleaner cover.
- 2) Remove the old dust bag from the plastic holder.
- 3) Insert a new one in the same position.
- 4) Close the vacuum cleaner cover.

D

- ① Vacuum cleaner cover clip
- ② Vacuum cleaner cover
- ③ Plastic dust bag holder
- ④ Dust bag
- ⑤ Outflow filter holder
- ⑥ Dust bag
- ⑦ Outflow filter





Note:

Never attempt to wash paper bags as they are single use only and once full are to be disposed of together with household waste. It is only possible to wash textile bags!

Changing the inflow filter

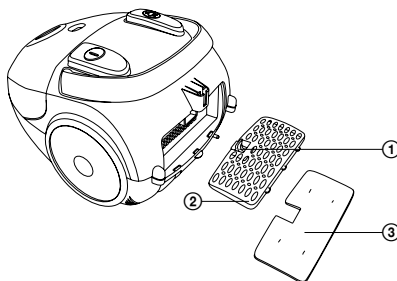
- 1) Open the vacuum cleaner cover and remove the inflow filter from its holder.
- 2) Replace the inflow filter with a new one and put it back into the vacuum cleaner.

Changing the outflow filter

- 1) Press the safety clip to open the grill of the outflow filter.
- 2) Remove the filter from the grill and replace with a new one.
- 3) Together with the grill put the new filter back into the vacuum cleaner.

E

- ① Clip
- ② Cover grill of the outflow filter
- ③ Outflow filter



To clean the outside parts of the product use a fine cloth dipped in lukewarm water. Do not use aggressive cleaning agents, paint thinners or solvents. Using these solutions could damage the surface of the product.

Vacuum Cleaner

SVC 52BK / SVC 52GR / SVC 52WH

TROUBLESHOOTING

Before you decide to contact an authorized service centre, please read the following tips in the troubleshooting chart:

Problem	Possible cause	Recommended action
The motor will not start.	<ul style="list-style-type: none"> – The power cord is not connected correctly to the wall power outlet. – The wall power socket is damaged. – The vacuum cleaner is not switched on. 	<ul style="list-style-type: none"> – Insert the plug firmly into the power socket. – Inspect the power socket. – Turn on the vacuum cleaner.
The suction output is weak.	<ul style="list-style-type: none"> – The dust bag is completely full. – The vacuum cleaner is clogged. – The filter is clogged. 	<ul style="list-style-type: none"> – Change the dust bag – Remove the blockage or foreign object – Clean the filter.
The power cord is not wound in completely.	The power cord may have slipped down from the winding pulley during winding.	Hold the cable under tension while winding the cable.
The cable cannot be pulled out.	The cable is wound up incorrectly.	Press the winding button of the self winding cable and try to rewind the power cord again.
The output control does not function.	The vacuum cleaner is out of order.	Have the vacuum cleaner repaired (only by a qualified technician)
The power cord starts to wind in when it is not required.	The winding mechanism is damaged.	Have the vacuum cleaner repaired (only by a qualified technician).
The vacuum cleaner cover cannot be closed.	The dust bag is not inserted, or is inserted incorrectly.	Check the position of the dust bag in the plastic holder, or insert a new bag.

TECHNICAL SPECIFICATIONS

Nominal voltage.....	220–240 V AC (alternate current)
Nominal frequency.....	50/60 Hz
Nominal power input.....	700 W
Safety class (with regard to electric shock protection).....	II
Noise level.....	76 dB(A)
Length of the power cord.....	6 m
Operating range.....	8.5 m
Dimensions (length x width x height).....	345 x 255 x 210 mm
Weight.....	3.6 kg

The declared noise emission level for this appliance is 76 dB(A), which represents level A of the acoustic power relative to the reference acoustic power of 1 pW.

SUPPLIED CONTENTS

- 1x vacuum cleaner
- 1x floor inlet nozzle
- 1x telescopic tube
- 1x hose
- 1x combination nozzle
- 1x inflow filter
- 1x paper dust bag
- 1x outflow filter
- 1x user's manual
- 1x warranty card

Amendments to text and technical parameters are reserved.

Vacuum Cleaner

SVC 52BK / SVC 52GR / SVC 52WH

INSTRUCTIONS AND INFORMATION REGARDING THE DISPOSAL OF USED PACKAGING MATERIALS

Dispose of packaging material at a public waste disposal site.

DISPOSAL OF USED ELECTRICAL AND ELECTRONIC APPLIANCES



The meaning of the symbol on the product, its accessory or packaging indicates that this product shall not be treated as household waste. Please, dispose of this product at your applicable collection point for the recycling of electrical & electronic equipment waste. Alternatively in some states of the European Union or other European states you may return your products to your local retailer when buying an equivalent new product. The correct disposal of this product will help save valuable natural resources and help in preventing the potential negative impact on the environment and human health, which could be caused as a result of improper liquidation of waste. Please ask your local authorities or the nearest waste collection centre for further details. The improper disposal of this type of waste may fall subject to national regulations for fines.

For business entities in the European Union

If you wish to dispose of an electrical or electronic device, request the necessary information from your seller or supplier.

Disposal in other countries outside the European Union

If you wish to dispose of this product, request the necessary information about the correct disposal method from local government departments or from your seller.



This product meets all the basic EU regulation requirements that relate to it.

Changes to the text, design and technical specifications may occur without prior notice and we reserve the right to make these changes.

Ovaj dokument je originalno proizveden i objavljen od strane proizvođača, brenda Sencor, i preuzet je sa njihove zvanične stranice. S obzirom na ovu činjenicu, Tehnoteka ističe da ne preuzima odgovornost za tačnost, celovitost ili pouzdanost informacija, podataka, mišljenja, saveta ili izjava sadržanih u ovom dokumentu.

Napominjemo da Tehnoteka nema ovlašćenje da izvrši bilo kakve izmene ili dopune na ovom dokumentu, stoga nismo odgovorni za eventualne greške, propuste ili netačnosti koje se mogu naći unutar njega. Tehnoteka ne odgovara za štetu nanесenu korisnicima pri upotrebi netačnih podataka. Ukoliko imate dodatna pitanja o proizvodu, ljubazno vas molimo da kontaktirate direktno proizvođača kako biste dobili sve detaljne informacije.

Za najnovije informacije o ceni, dostupnim akcijama i tehničkim karakteristikama proizvoda koji se pominje u ovom dokumentu, molimo posetite našu stranicu klikom na sledeći link:

<https://tehnoteka.rs/p/sencor-usisivac-svc-52wh-eue3-akcija-cena/>