

Uputstvo za upotrebu (EN)

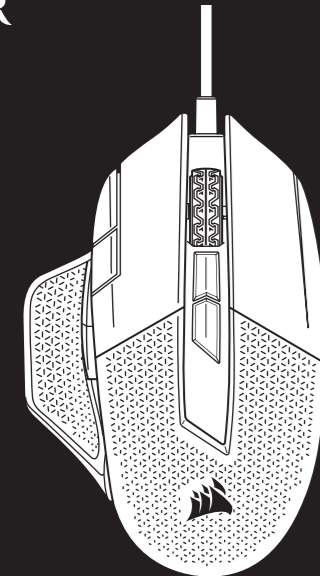
CORSAIR miš Nightsword RGB CH-9306011



Tehnoteka je online destinacija za upoređivanje cena i karakteristika bele tehnike, potrošačke elektronike i IT uređaja kod trgovinskih lanaca i internet prodavnica u Srbiji. Naša stranica vam omogućava da istražite najnovije informacije, detaljne karakteristike i konkurentne cene proizvoda.

Posetite nas i uživajte u ekskluzivnom iskustvu pametne kupovine klikom na link:

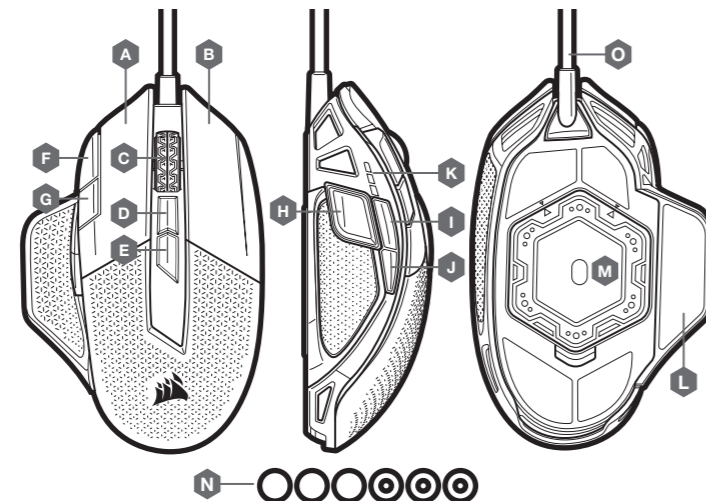
<https://tehnoteka.rs/p/corsair-mis-nightsword-rgb-ch-9306011-akcija-cena/>



NIGHTSWORD RGB

Performance Tunable FPS/MOBA Gaming Mouse

GETTING TO KNOW YOUR MOUSE



- | | |
|-------------------------|---------------------------------|
| A — LEFT CLICK BUTTON | I — FORWARD BUTTON |
| B — RIGHT CLICK BUTTON | J — BACKWARD BUTTON |
| C — MIDDLE CLICK BUTTON | K — MULTI-PURPOSE LED INDICATOR |
| D — PROFILE UP BUTTON | L — PTFE GLIDE PADS |
| E — PROFILE DOWN BUTTON | M — OPTICAL GAMING SENSOR |
| F — DPI UP BUTTON | N — WEIGHT SYSTEM |
| G — DPI DOWN BUTTON | O — USB CONNECTION CABLE |
| H — SNIPER BUTTON | |

SETTING UP YOUR MOUSE

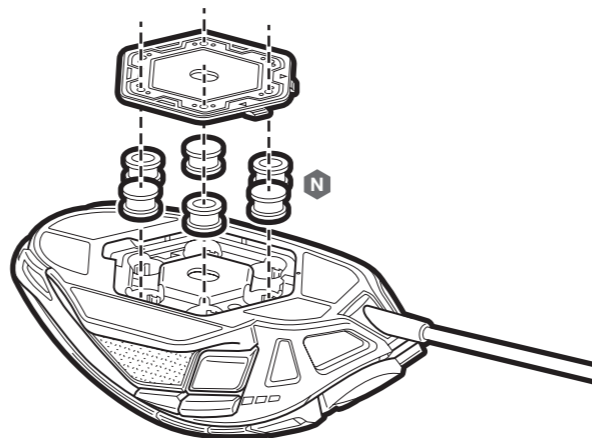
- > Turn on your computer and connect the mouse to available USB 2.0 or USB 3.0 port on your computer.
- > Download the iCUE software from www.corsair.com/downloads.
- > Run the installer program and follow instructions for installation.

ADJUSTING THE MOUSE WEIGHT SYSTEM

The weight of your NIGHTSWORD RGB can be customized with the help of the next-generation, patent-pending smart tunable weight system. It automatically detects the type and location of your weights in real-time, allowing you to adjust mouse weight between 115g and 137g and fine-tune its center of mass.

To adjust the weight and center of mass of your NIGHTSWORD RGB, please follow the steps below:

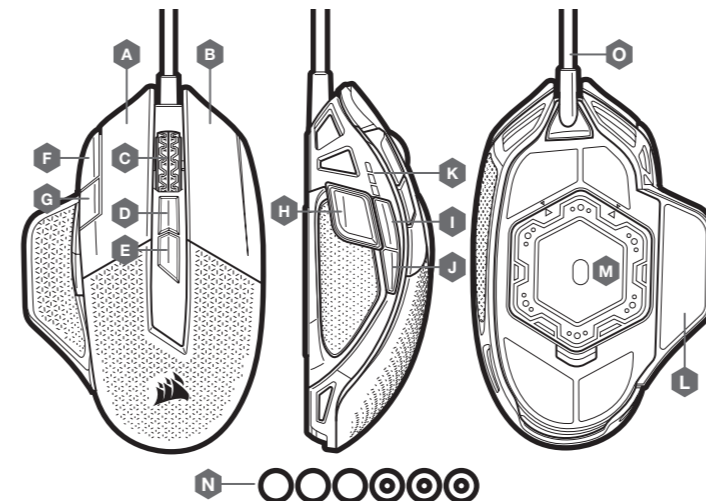
- > Hold the mouse firmly, turn it over and open the hexagon-shaped weight door cover.
- > Place up to six weights (three 4.5g and three 2.8g) in any configuration that is right for you.
- > The CORSAIR iCUE software will auto-detect each weight and its position as well as provide update to total weight and location of your mouse's new center of mass in real-time.
- > Close the weight door once you find the weight configuration that fits your playstyle.



For use only with NRTL listed end product and Mouse Rating: 5V 500mA

ENGLISH

PRÉSENTATION DE LA SOURIS



- | | |
|-----------------------------------|----------------------------|
| A — BOUTON CLIC GAUCHE | I — BOUTON SUIVANT |
| B — BOUTON CLIC DROIT | J — BOUTON PRÉCÉDENT |
| C — BOUTON CLIC MILIEU | K — TÉMOIN LED DES PPP |
| D — BOUTON PROFIL VERS LE HAUT | L — PATINS EN PTFE |
| E — BOUTON PROFIL VERS LE BAS | M — CAPTEUR DE JEU OPTIQUE |
| F — BOUTON D'AUGMENTATION DES PPP | N — SYSTÈME DE POIDS |
| G — BOUTON DE RÉDUCTION DES PPP | O — CÂBLE DE CONNEXION USB |
| H — BOUTON SNIPER | |

CONFIGURATION DE LA SOURIS

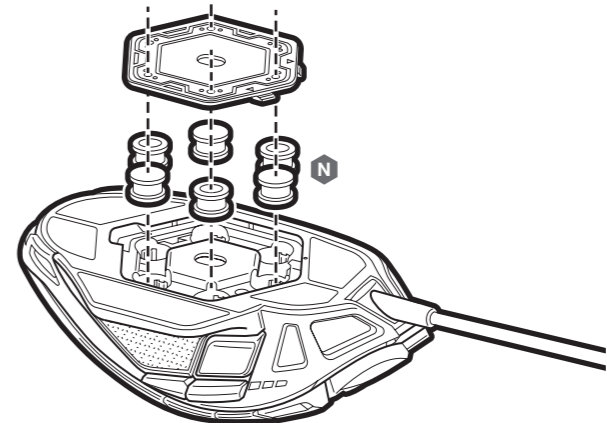
- > Allumez votre ordinateur et branchez la souris sur un port USB 2.0 ou USB 3.0 disponible sur votre ordinateur.
- > Téléchargez le logiciel iCUE sur www.corsair.com/downloads.
- > Exécutez le programme d'installation et suivez les instructions d'installation.

AJUSTER LE SYSTÈME DE POIDS DE LA SOURIS

Vous pouvez personnaliser le poids de votre souris NIGHTSWORD RGB grâce à un système de poids ajustable intelligent de nouvelle génération en instance de brevet. Le système détecte automatiquement le type et l'emplacement des poids en temps réel et vous permet d'ajuster le poids de votre souris entre 115 g et 137 g et de déplacer son centre de gravité de manière ultraprécise.

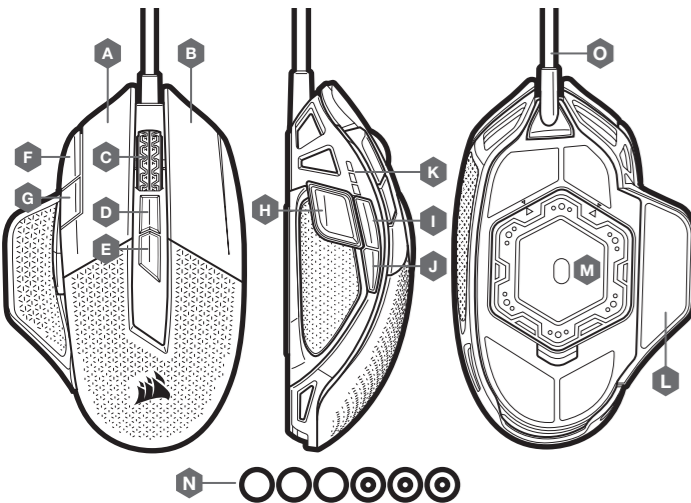
Pour ajuster le poids et le centre de gravité de votre souris NIGHTSWORD RGB, suivez les étapes suivantes:

- > Retournez la souris en la tenant fermement et ouvrez le couvercle hexagonal du compartiment des poids.
- > Placez jusqu'à six poids (trois de 4,5 g et trois de 2,8 g) afin d'obtenir la configuration de poids qui vous convient.
- > Le logiciel CORSAIR iCUE détectera automatiquement le type et la position de chaque poids utilisé et indiquera en temps réel le poids total et le nouveau centre de gravité de votre souris.
- > Une fois que vous avez trouvé la configuration de poids qui convient le mieux à votre style de jeu, refermez le couvercle du compartiment des poids.



NIGHTSWORD RGB

CONOZCA SU MOUSE



- | | |
|------------------------------|-----------------------------------|
| A — BOTÓN DE CLIC IZQUIERDO | I — BOTÓN ADELANTE |
| B — BOTÓN DE CLIC DERECHO | J — BOTÓN ATRÁS |
| C — BOTÓN DE CLIC MEDIO | K — INDICADOR LED DE DPI |
| D — BOTÓN DE PERFILES ARRIBA | L — COJINES DE DESLIZAMIENTO PTFE |
| E — BOTÓN DE PERFILES ABAJO | M — SENSOR ÓPTICO DE JOGOS |
| F — BOTÓN DE DPI ARRIBA | N — SISTEMA DE PESO |
| G — BOTÓN DE DPI ABAJO | O — CABLE DE CONEXIÓN USB |
| H — BOTÓN FRANCOTIRADOR | |

CONFIGURACIÓN DEL MOUSE

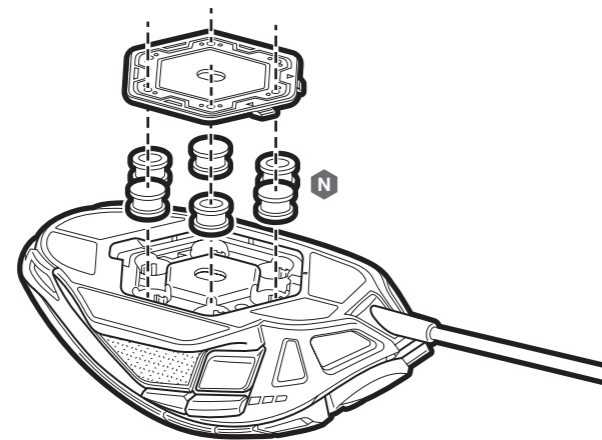
- > Encienda su computadora y conecte el mouse a un puerto USB 2.0 o 3.0 disponible.
- > Descargue el software de iCUE en www.corsair.com/downloads.
- > Ejecute el instalador y siga las instrucciones para completar la instalación.

AJUSTE DEL SISTEMA DE PESO DEL MOUSE

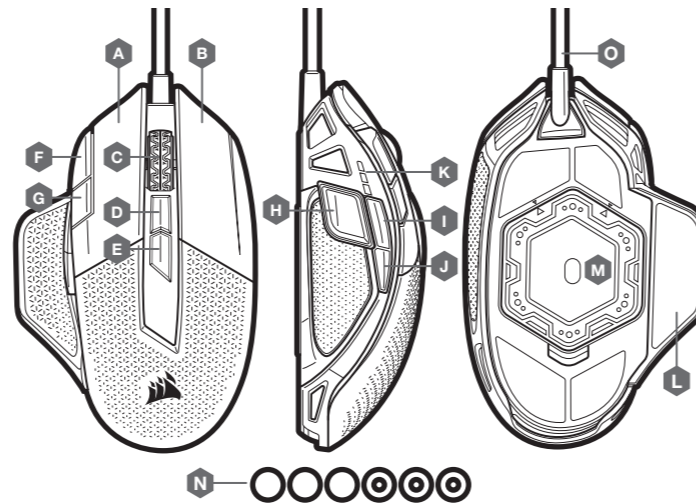
Para personalizar el peso del NIGHTSWORD RGB, use el sistema de pesas con ajuste inteligente de próxima generación (patente pendiente). Detecta automáticamente el tipo y la ubicación de las pesas en tiempo real, lo que le permite definir el peso del mouse entre 115 g y 137 g y ajustar su centro de masa.

Para ajustar el peso y el centro de masa del NIGHTSWORD RGB, realice los siguientes pasos:

- > Sostenga el mouse con firmeza, delo vuelta y abra la tapa hexagonal para acceder al compartimento de las pesas.
- > Coloque hasta seis pesas (tres de 4,5 g y tres de 2,8 g) en la disposición que le resulte más conveniente.
- > El software CORSAIR iCUE detecta automáticamente cada pesa y su posición, y le proporciona información sobre el peso total y la ubicación del centro de masa de su mouse en tiempo real.
- > Una vez que encuentre la configuración de peso que se adapte a su estilo de juego, cierre la tapa del compartimento de las pesas.



CONHEÇA O MOUSE



- | | |
|--|-----------------------------------|
| A — BOTÃO DE CLIQUE ESQUERDO | I — BOTÃO PARA AVANÇAR |
| B — BOTÃO DE CLIQUE DIREITO | J — BOTÃO PARA VOLTAR |
| C — BOTÃO DE CLIQUE CENTRAL | K — INDICADOR LED DO DPI |
| D — BOTÃO PARA ACESSAR O PERFIL SEGUINTE | L — ALMOFADAS DESLIZANTES DE PTFE |
| E — BOTÃO PARA ACESSAR O PERFIL ANTERIOR | M — SENSOR ÓPTICO PARA JOGOS |
| F — BOTÃO PARA AUMENTAR O DPI | N — SISTEMA DE PESO |
| G — BOTÃO PARA DIMINUIR O DPI | O — CABO DE CONEXÃO USB |
| H — BOTÃO DE ATIRADOR | |

CONFIGURAÇÃO DO MOUSE

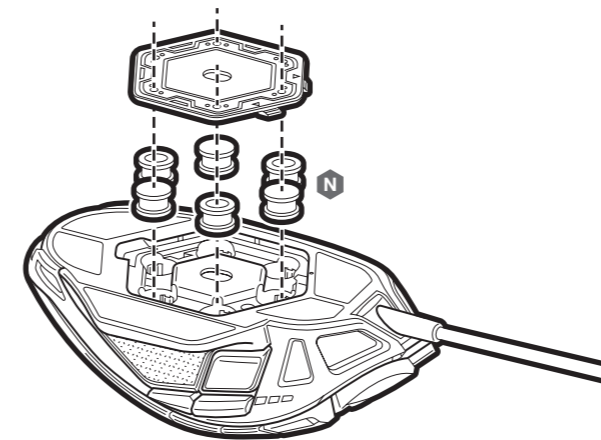
- > Ligue o computador e conecte o mouse a uma porta USB 2.0 ou USB 3.0 do computador.
- > Baixe o software iCUE em www.corsair.com/downloads.
- > Execute o programa de instalação e siga as instruções.

AJUSTE DO SISTEMA DE PESO DO MOUSE

O peso do seu NIGHTSWORD RGB pode ser personalizado com a ajuda do sistema de peso inteligente e configurável de nova geração com patente pendente. Ele detecta automaticamente o tipo e a localização dos pesos em tempo real, permitindo ajustar o peso do mouse entre 115g e 137g além de configurar seu centro de massa.

Para ajustar o peso e o centro de massa do seu NIGHTSWORD RGB, siga os passos seguintes:

- > Segure o mouse com firmeza, vire-o e abra a tampa da porta de pesos, cujo formato é de hexágono.
- > Posicione até seis pesos (três de 4,5 g e três de 2,8 g) na configuração que seja mais adequada para você.
- > O software iCUE da CORSAIR irá detectar automaticamente cada peso e sua posição, fornecendo uma atualização do peso total e da localização do novo centro de massa do seu mouse em tempo real.
- > Feche a porta dos pesos após identificar a configuração de peso ideal para o seu tipo de jogada.



CONOZCA SU MOUSE

CAUTION!
The manufacturer is not responsible for any radio or TV interference caused by unauthorized modifications to this equipment. Such modifications could void the user authority to operate the equipment.

FC WARNING: Changes or modifications not expressly approved by CORSAIR MEMORY, Inc could void the user's authority to operate the equipment.

This equipment has been tested and found to comply with the limits for a Class B digital device, pursuant to part 15 of the FCC Rules. These limits are designed to provide reasonable protection against harmful interference in a residential installation. This equipment generates, uses and can radiate radio frequency energy and, if not installed and used in accordance with the instructions, may cause harmful interference to radio communications. However, there is no guarantee that interference will not occur in a particular installation. If this equipment does cause harmful interference to radio or television reception, which can be determined by turning the equipment off and on, the user is encouraged to try to correct the interference by one or more of the following measures:

- > Reorient or relocate the receiving antenna.
- > Increase the separation between the equipment and receiver.
- > Connect the equipment into an outlet on a circuit different from that to which the receiver is connected.
- > Consult the dealer or an experienced radio/TV technician for help.

This device must not be co-located or operating in conjunction with any other antenna or transmitter. Operation is subject to the following two conditions: (1) this device may not cause harmful interference, and (2) this device must accept any interference received, including interference that may cause undesired operation.

This Class B digital apparatus meets all requirements of the Canadian Interference-Causing Equipment Regulations. CAN ICES-3(B)/NMB-3(B)

Cet appareil numérique de la class B respecte toutes les exigences du Règlement sur le matériel brouilleur du Canada.



Ovaj dokument je originalno proizveden i objavljen od strane proizvođača, brenda Corsair, i preuzet je sa njihove zvanične stranice. S obzirom na ovu činjenicu, Tehnoteka ističe da ne preuzima odgovornost za tačnost, celovitost ili pouzdanost informacija, podataka, mišljenja, saveta ili izjava sadržanih u ovom dokumentu.

Napominjemo da Tehnoteka nema ovlašćenje da izvrši bilo kakve izmene ili dopune na ovom dokumentu, stoga nismo odgovorni za eventualne greške, propuste ili netačnosti koje se mogu naći unutar njega. Tehnoteka ne odgovara za štetu nanесenu korisnicima pri upotrebi netačnih podataka. Ukoliko imate dodatna pitanja o proizvodu, ljubazno vas molimo da kontaktirate direktno proizvođača kako biste dobili sve detaljne informacije.

Za najnovije informacije o ceni, dostupnim akcijama i tehničkim karakteristikama proizvoda koji se pominje u ovom dokumentu, molimo posetite našu stranicu klikom na sledeći link:

<https://tehnoteka.rs/p/corsair-mis-nightsword-rgb-ch-9306011-akcija-cena/>