

Uputstvo za montažu i instalaciju

Zidni nosač za TV BARKAN BM343LP

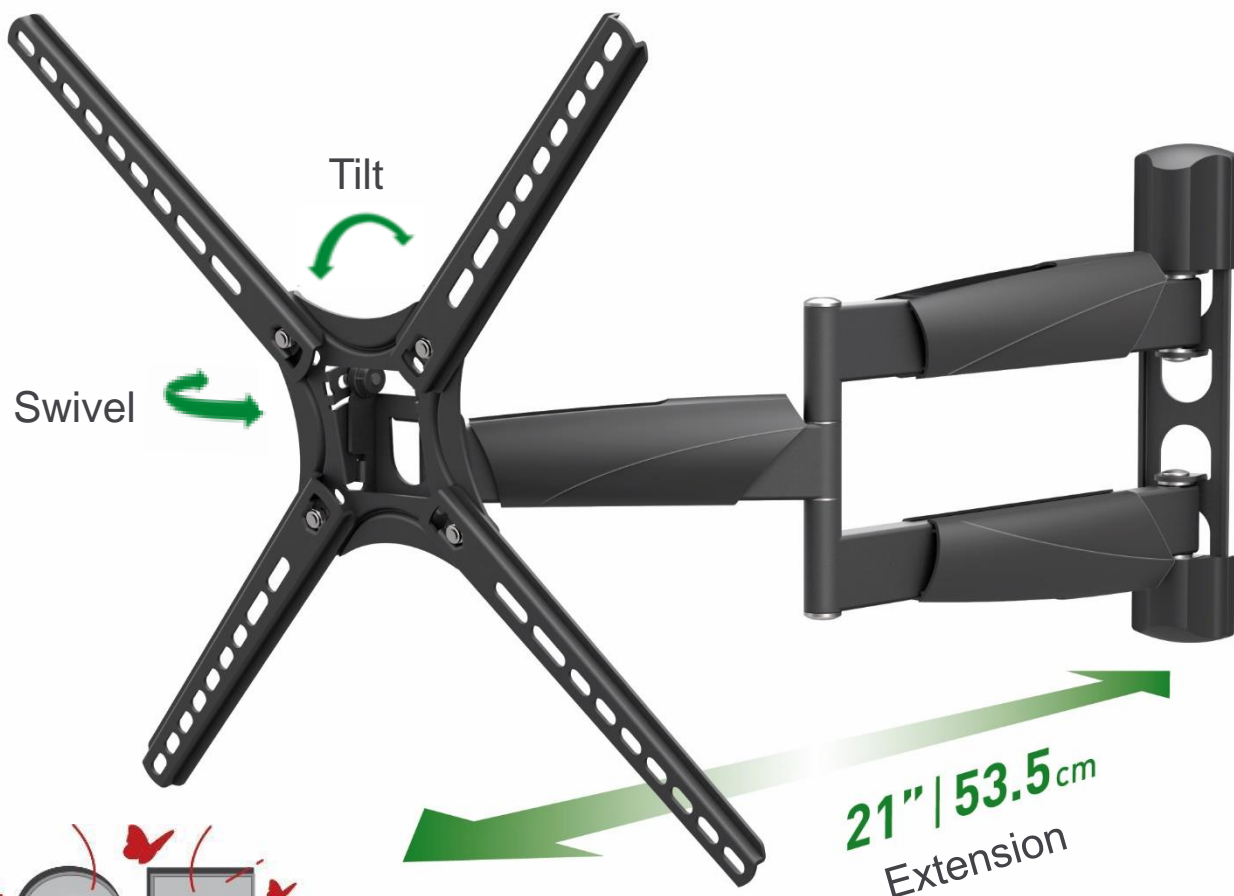


Tehnoteka je online destinacija za upoređivanje cena i karakteristika bele tehnike, potrošačke elektronike i IT uređaja kod trgovinskih lanaca i internet prodavnica u Srbiji. Naša stranica vam omogućava da istražite najnovije informacije, detaljne karakteristike i konkurentne cene proizvoda.

Posetite nas i uživajte u ekskluzivnom iskustvu pametne kupovine klikom na link:

<https://tehnoteka.rs/p/zidni-nosac-za-tv-barkan-bm343lp-akcija-cena/>

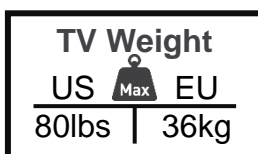
Long Premium TV Wall Mount



Download Assembly Instructions with Text

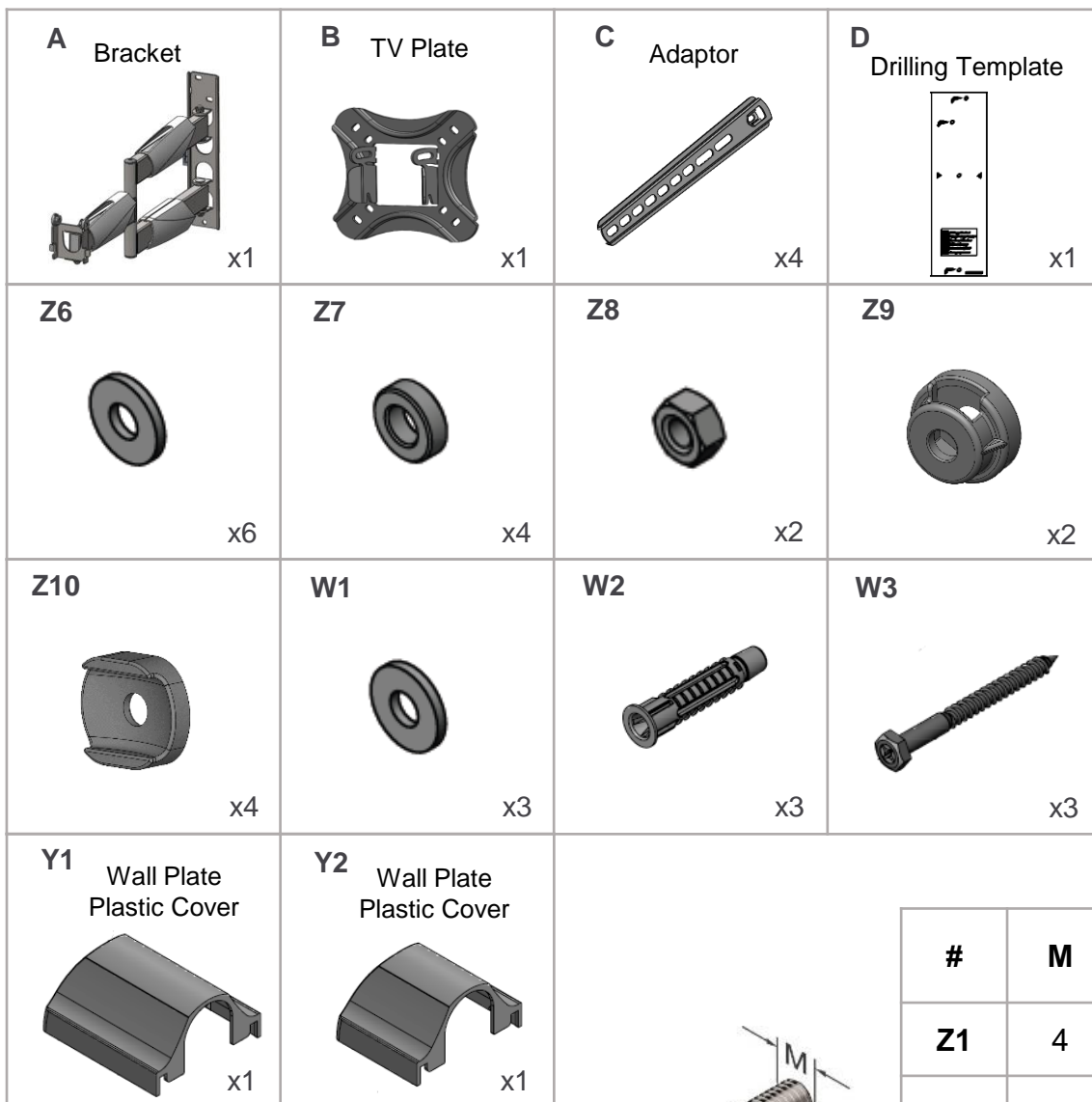
For more information: barkanmounts.com

If you are satisfied with the product, please give us a 5 stars ★★★★★ rating on the website you bought it from. If you are not satisfied please contact us at <https://www.barkanmounts.com/support> and we will solve the problem for you.



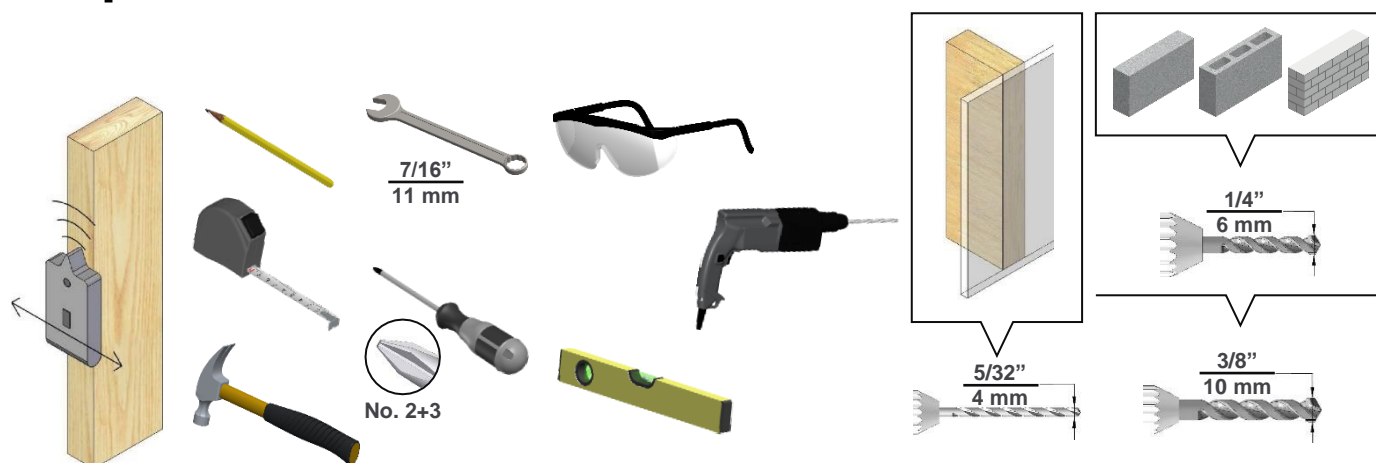
Safety instructions and installation warnings (provided separately) must be read in full, prior to assembly.

Included Parts not to scale


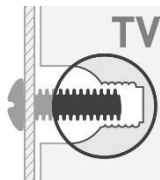
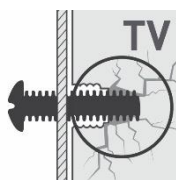

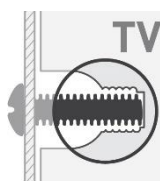
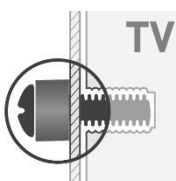


#	M	L mm	L inch	pcs
Z1	4	20	3/4	4
Z2	6	16	5/8	4
Z3	6	25	1	4
Z4	8	25	1	4
Z5	8	45	1 3/4	4

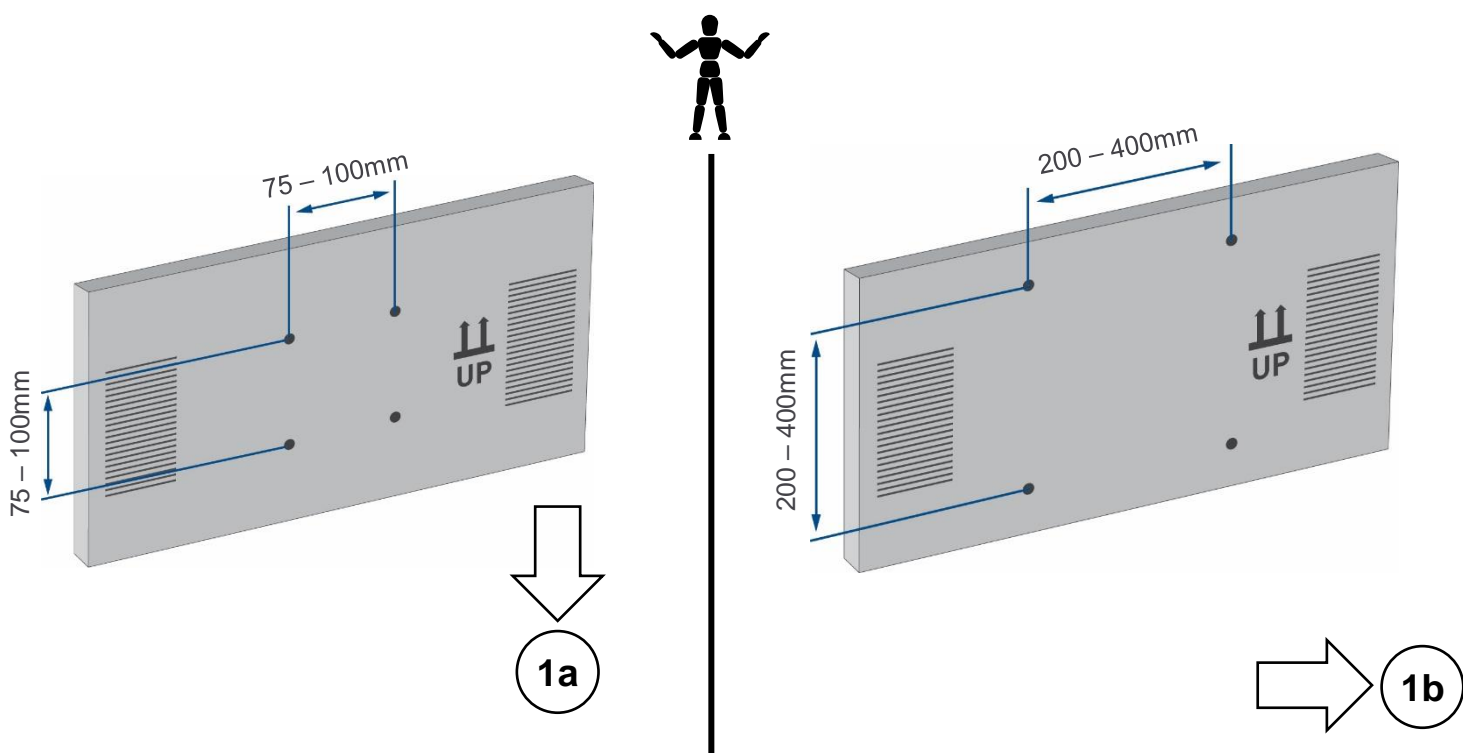
Required Tools



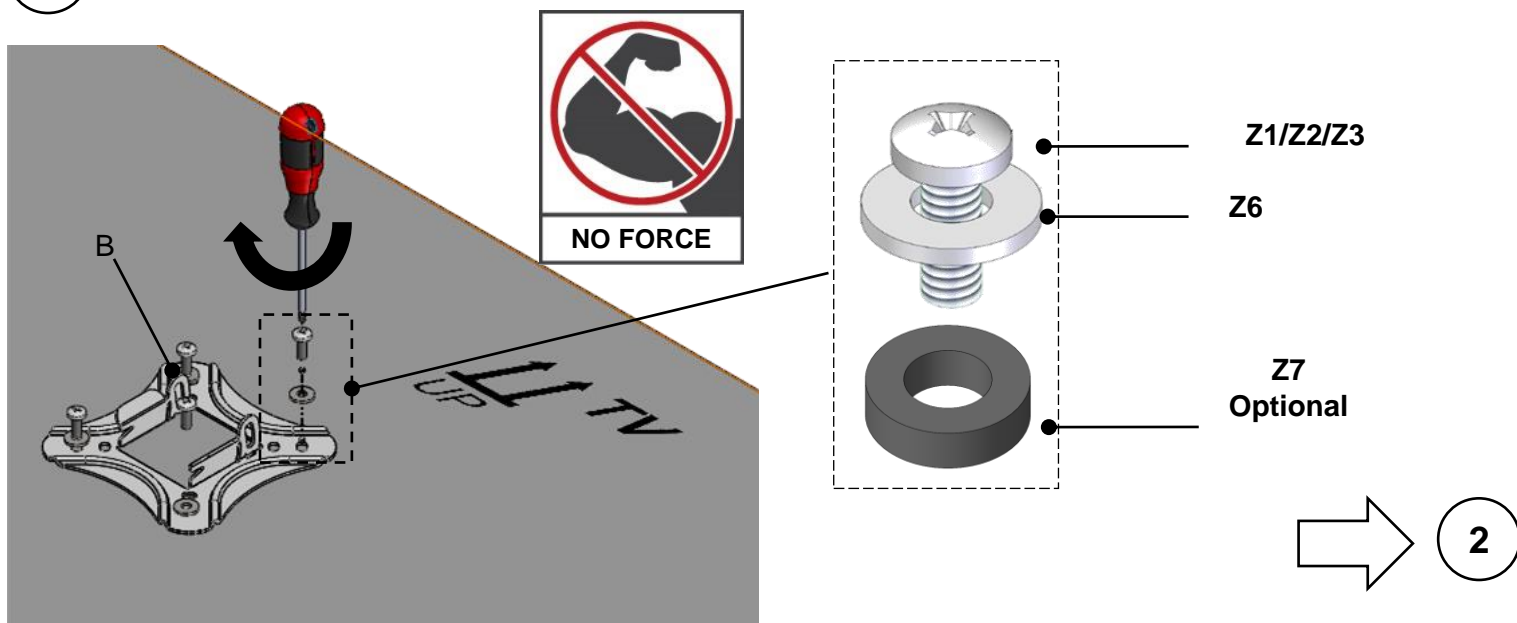
1

<p>Wrong</p> 		
<p>Right</p> 		
<p>Purchase longer screws.</p>		<p>Use the spacers (Z7) in order to adjust the screws length inside the TV.</p>

Continue according to your TV mounting hole pattern.



1a 75x75 mm up to 100x100 mm hole pattern.



NO FORCE

Z1/Z2/Z3

Z6

Z7 Optional

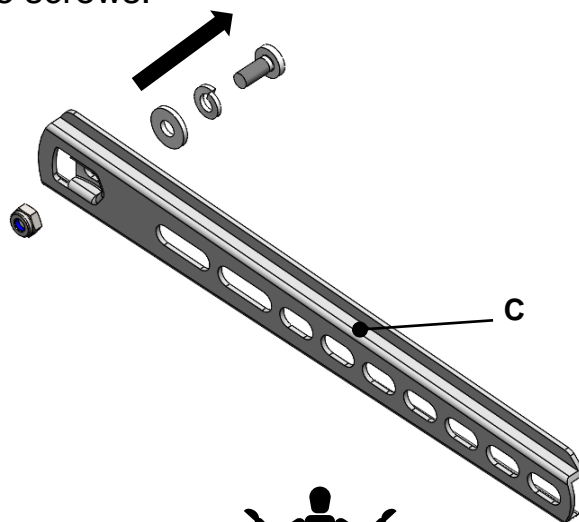
2

1b

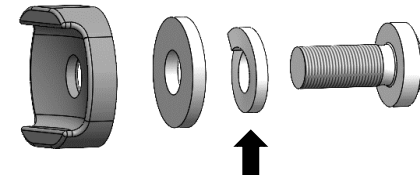
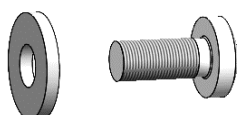
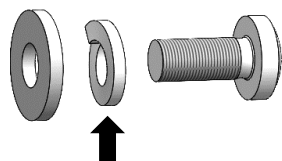
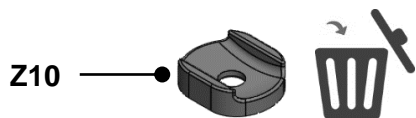
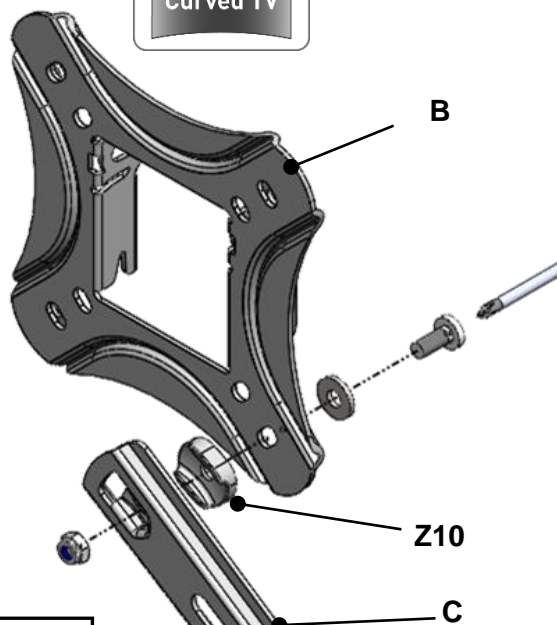
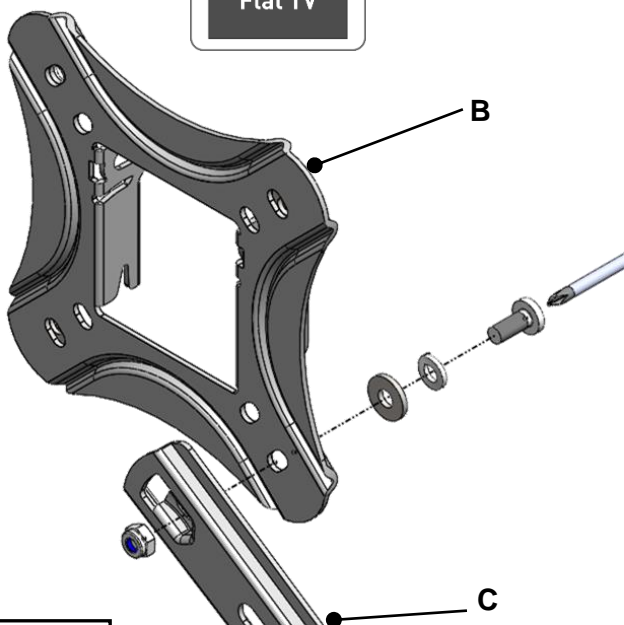
Hole pattern 100x200 mm up to 400x400 mm:

Disassemble the screws, connect the 4 Adaptors to the TV Plate and reassemble the screws.

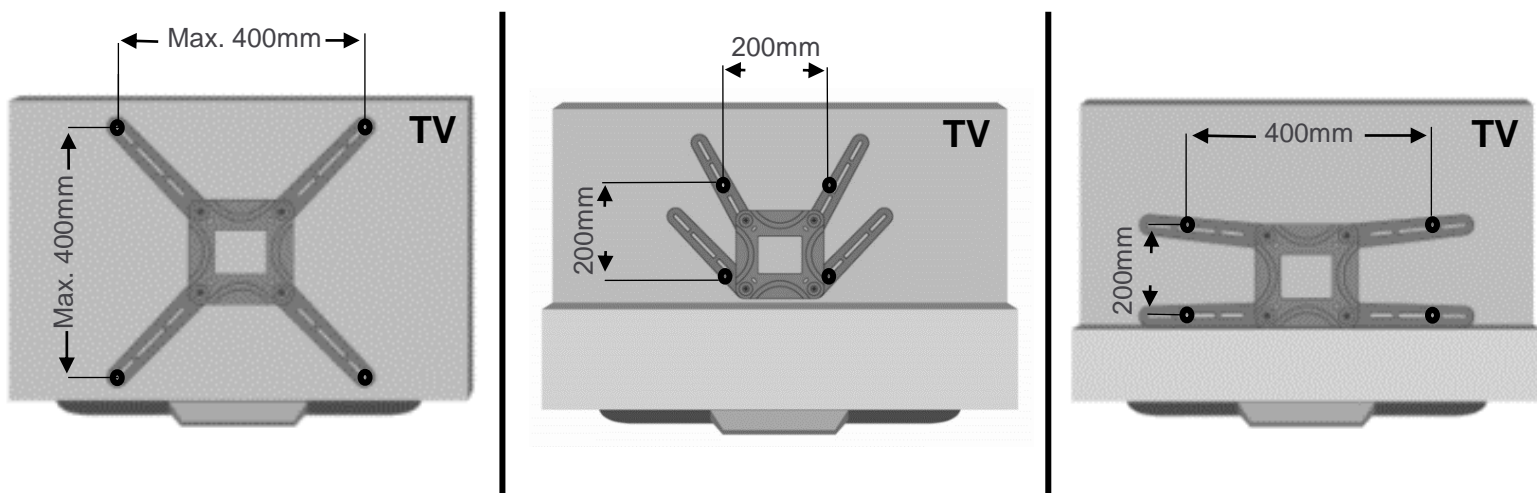
1



2

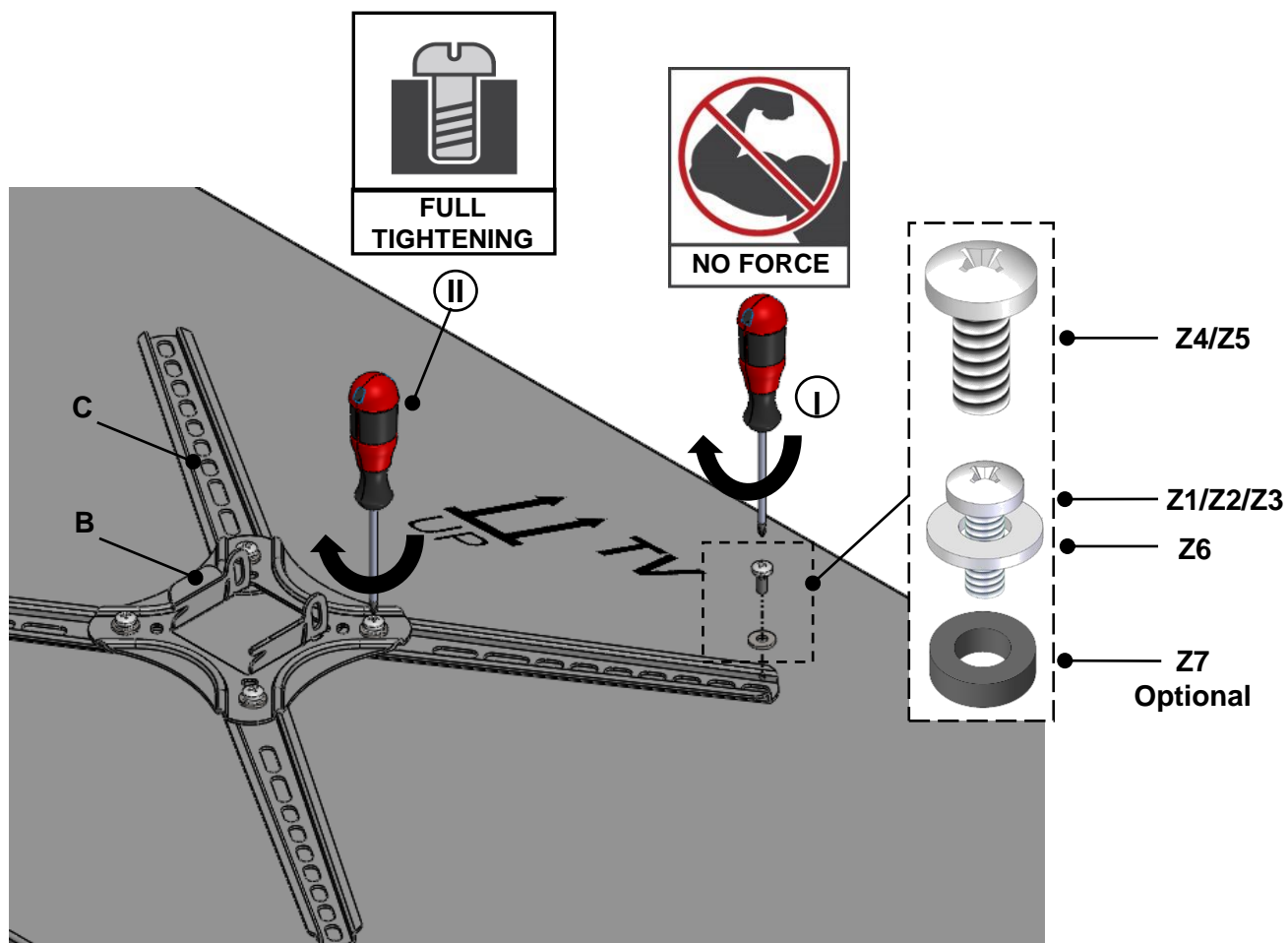


Position the Adaptors according to your TV's hole pattern.



For more positioning options refer to the last page.

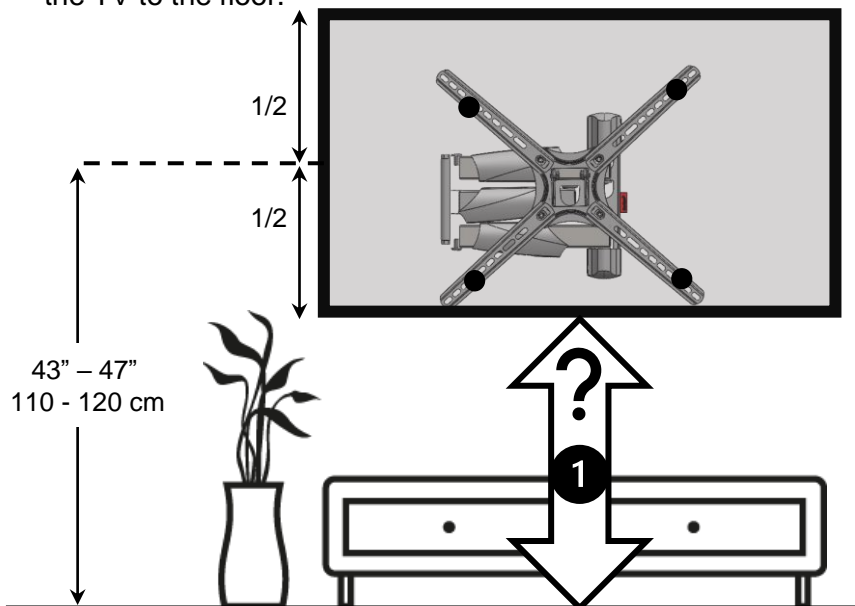
1b Connect the TV Plate with the Adaptors to the TV in all 4 connection holes.



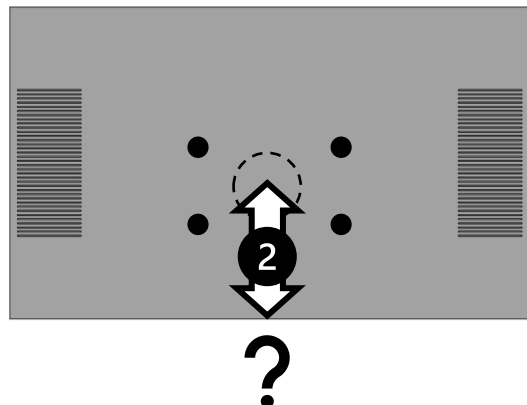
2 Determine the desired installation height

Note, the center of the TV back screen mounting holes is usually different from the center of the entire screen.

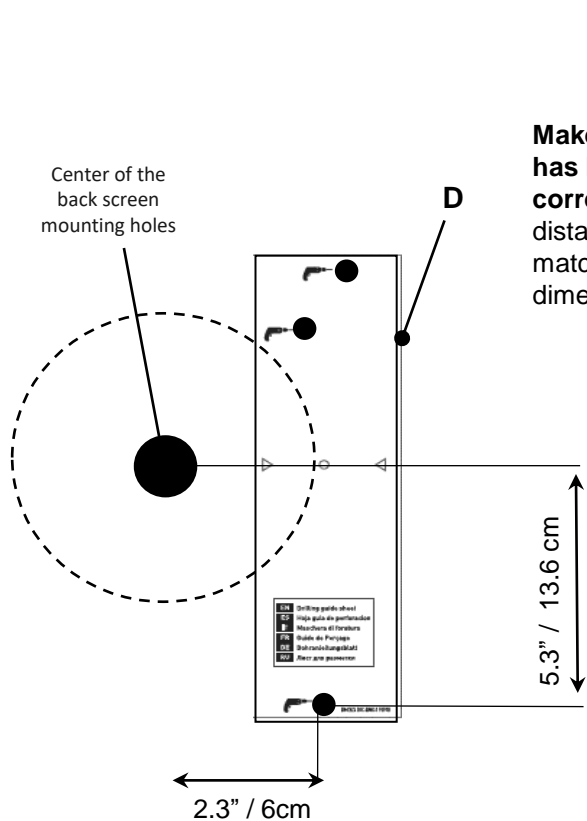
2a The recommended height of the screen center from the floor is 43" – 47" / 110 - 120 cm. Determine the distance - **1** from the bottom edge of the TV to the floor.



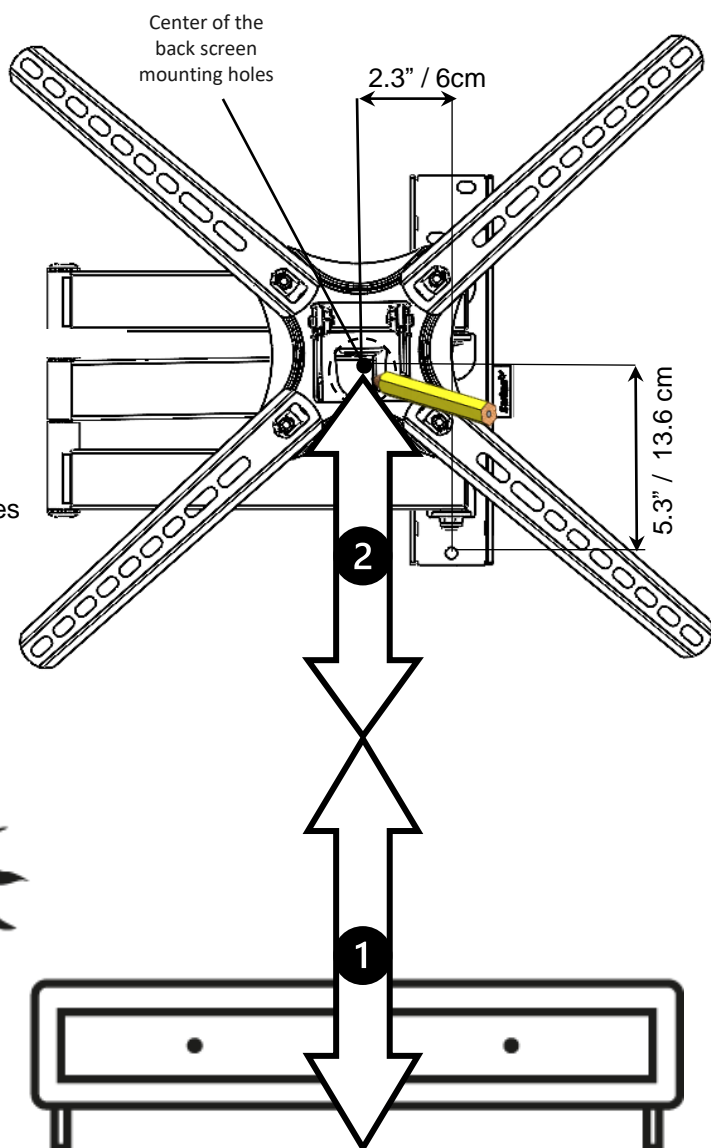
2b Determine the distance - **2** from the center of the back screen mounting holes to the bottom edge of the TV.



2c Position the center hole of the drilling template (D), at the distance from the floor that equals the sum of the combined distances of **1** and **2**. On the wall, mark the center of the back screen mounting holes.

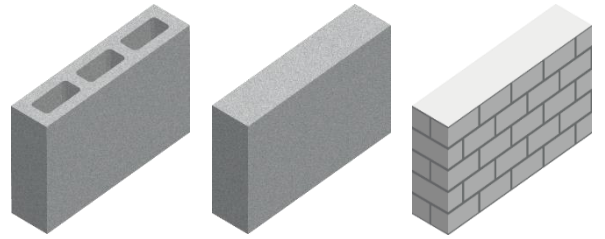


Make sure the template has been printed correctly: check that the distance between the holes matches the written dimensions.



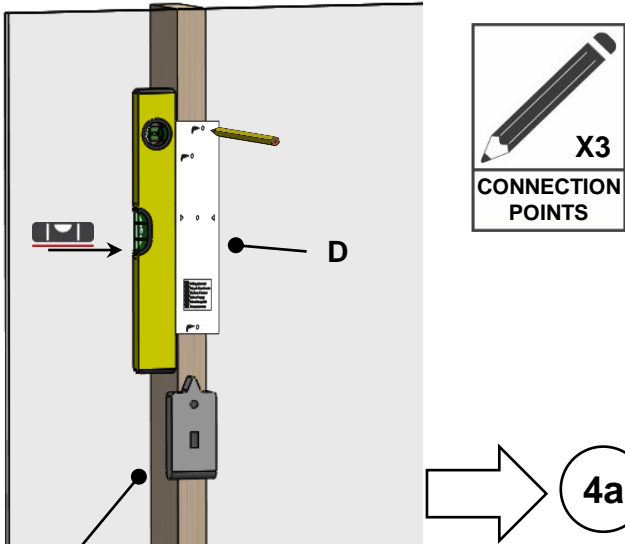
3

Follow the steps according to your wall type.



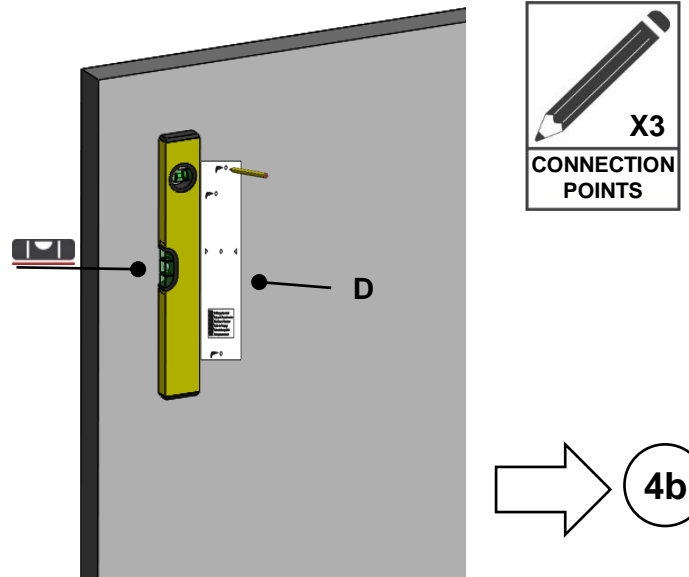
4

Mark the holes on the wall according to the required height.



Use a Stud Finder

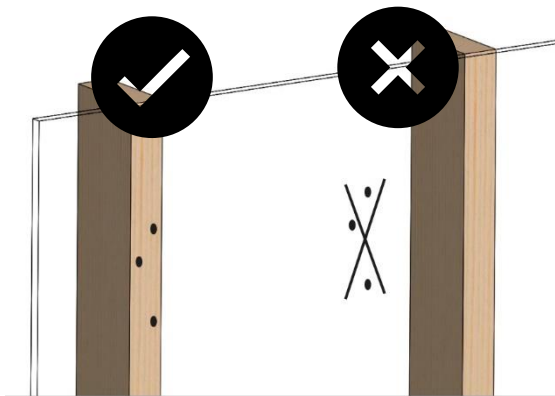
4a



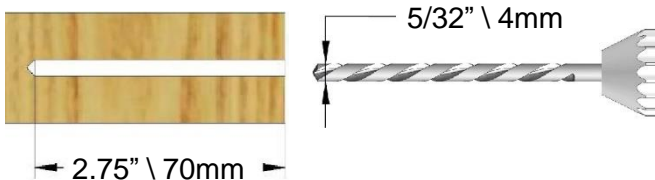
4b

4a

Make sure all holes are drilled inside the studs.

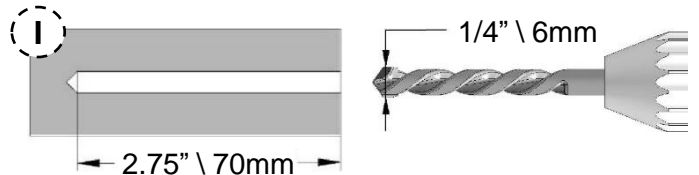


Drill with 5/32" \ 4mm drill bit.

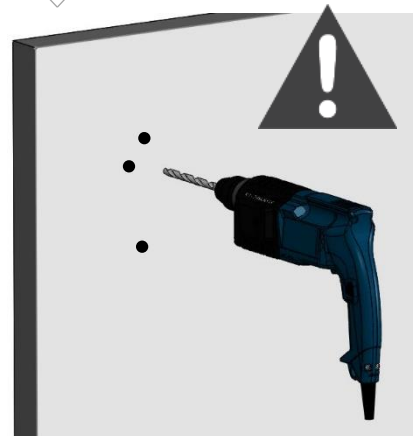
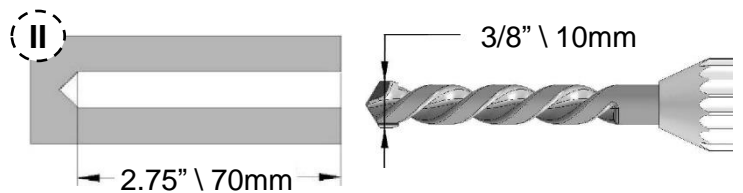


4b

First use 1/4" \ 6mm drill bit.



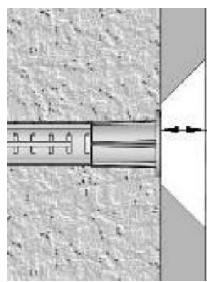
Afterwards use 3/8" \ 10mm drill bit.



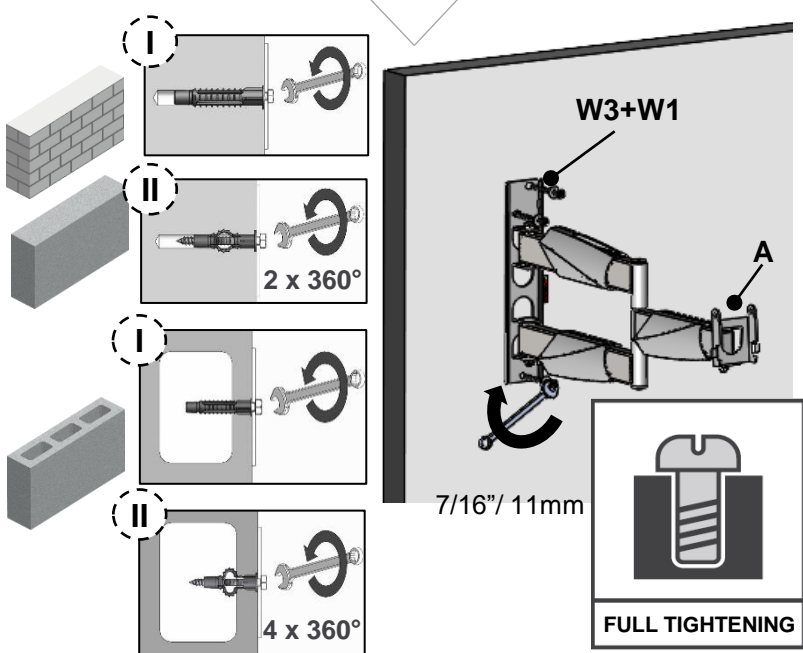
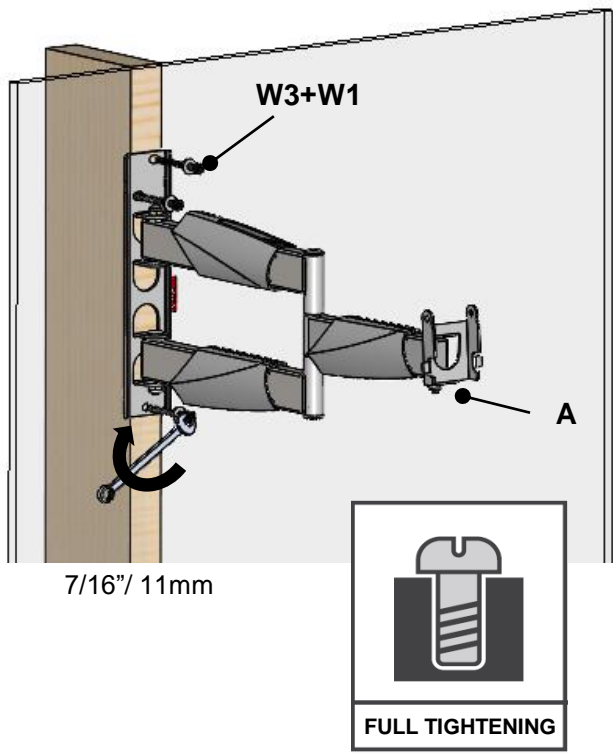
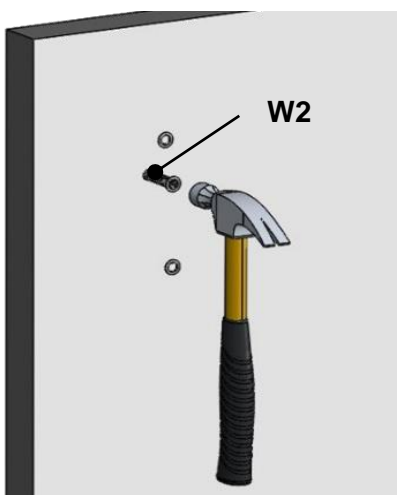
4a



4b

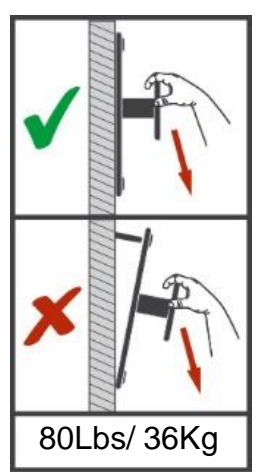
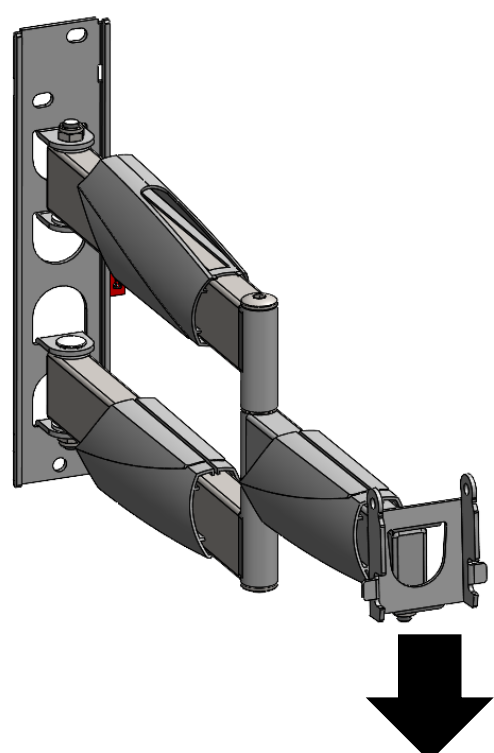


The anchor must be sunk at least 3/8"/10 mm into the plaster coating

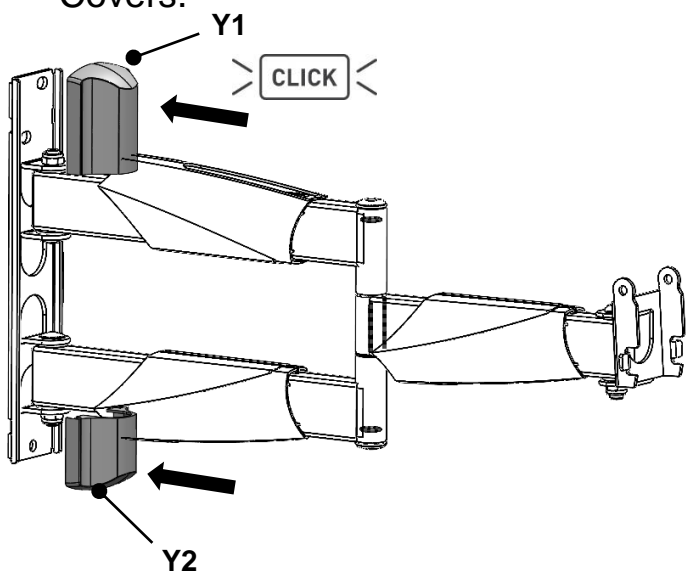


5

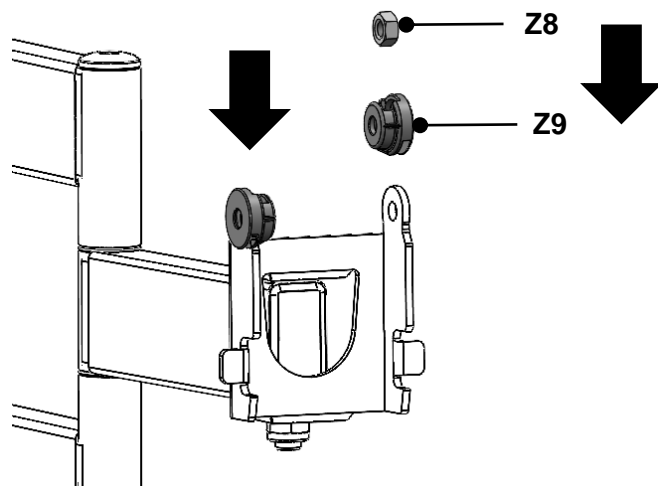
Weight test- Apply force on the upper part of the Bracket and make sure it is well connected.



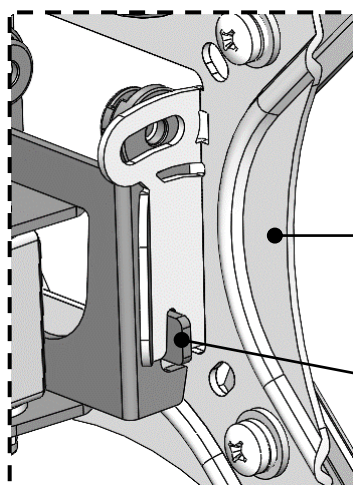
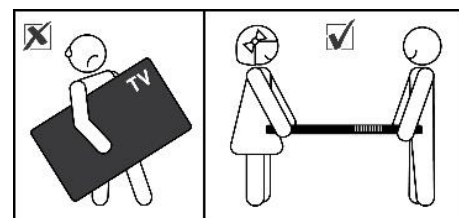
6 Assemble the Wall Plate Plastic Covers.



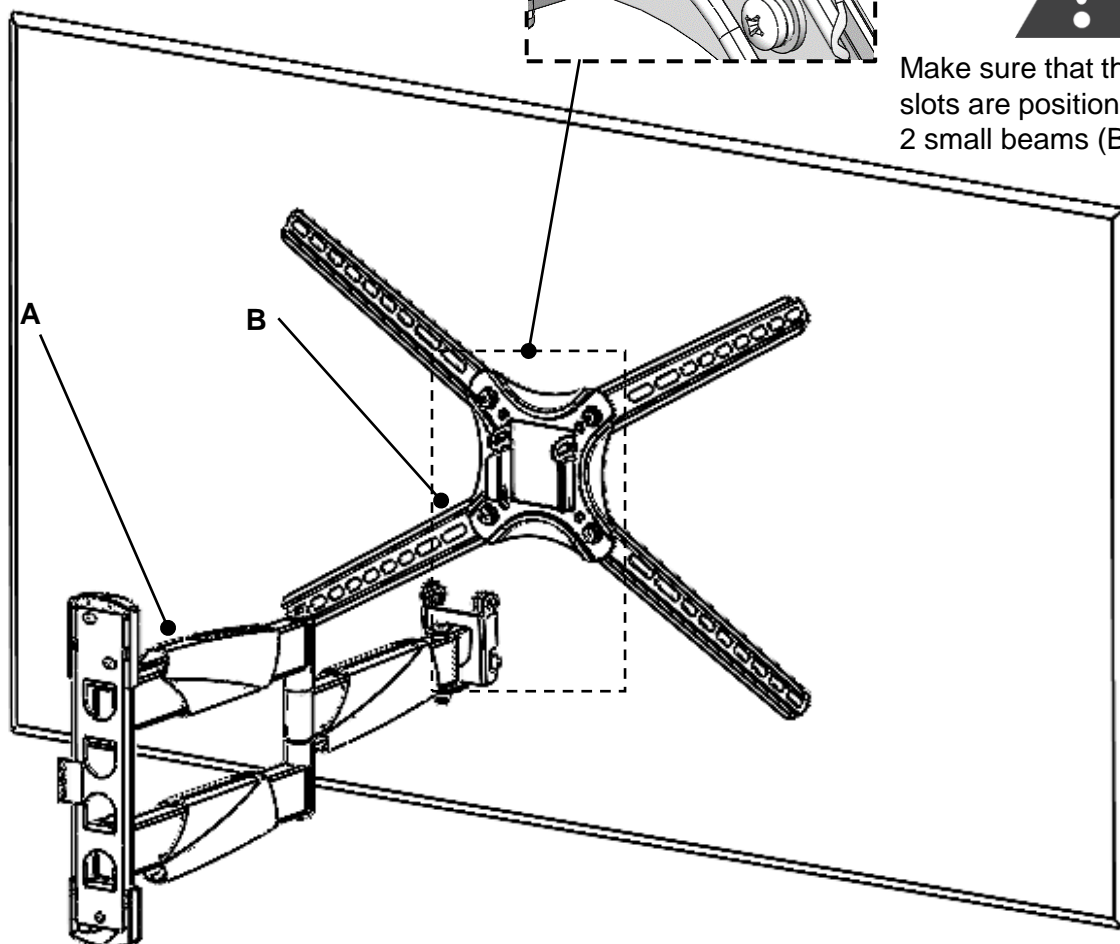
7 Place the plastic nut-housings (Z9), and then insert the two nuts (Z8).



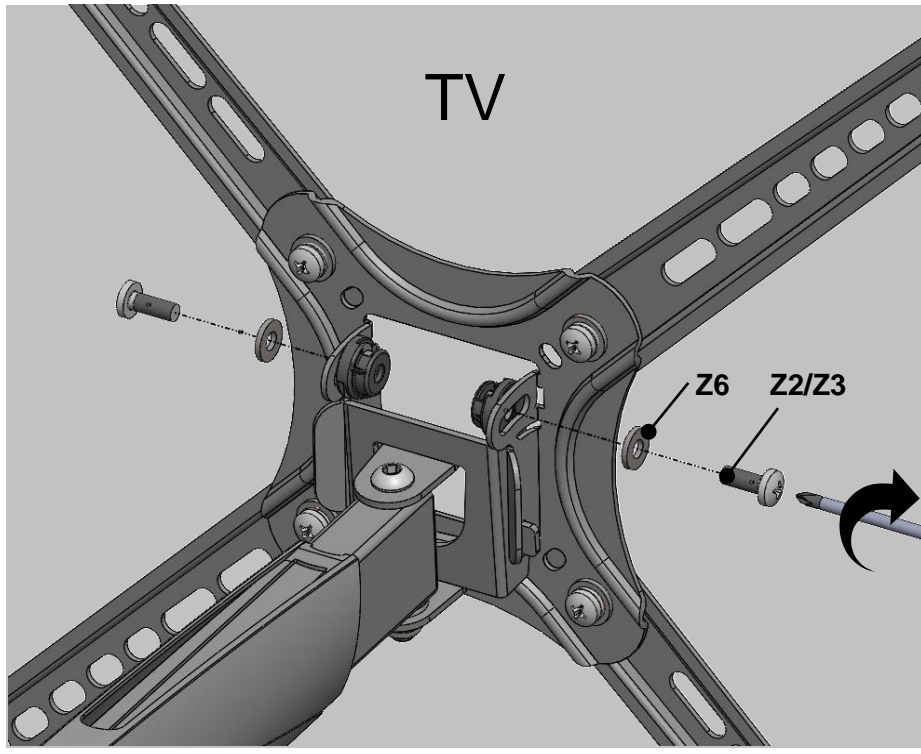
8 Connect the TV with the TV Plate to the Bracket



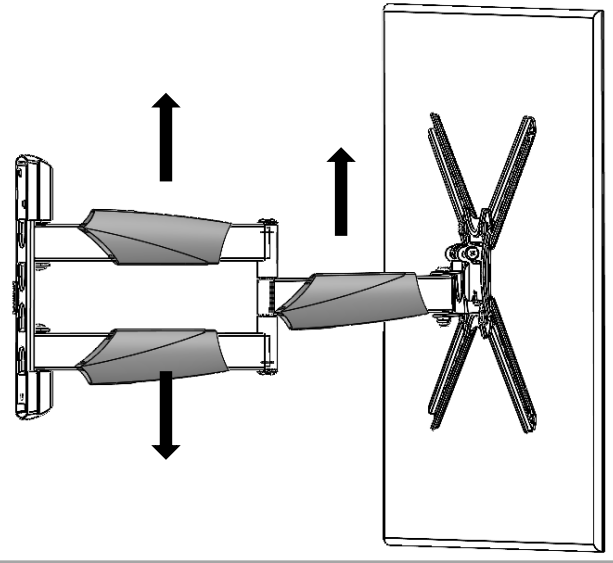
Make sure that the TV Plate slots are positioned properly on 2 small beams (Bracket).



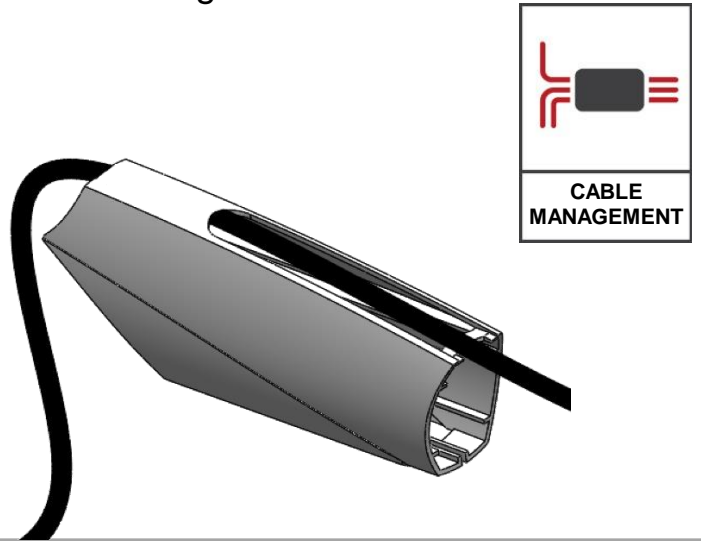
9 Insert and tighten the screws from both sides to create friction for the tilt mechanism. Adjust the TV tilt angle carefully.



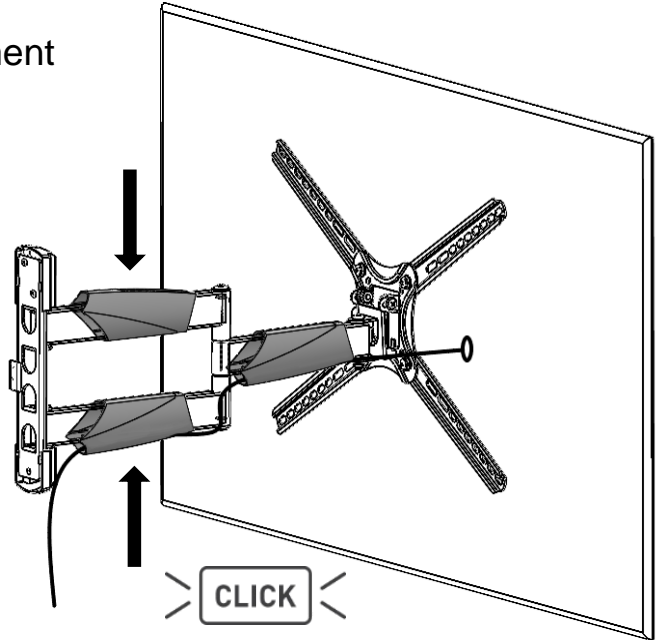
10 Disconnect the Cable Management.



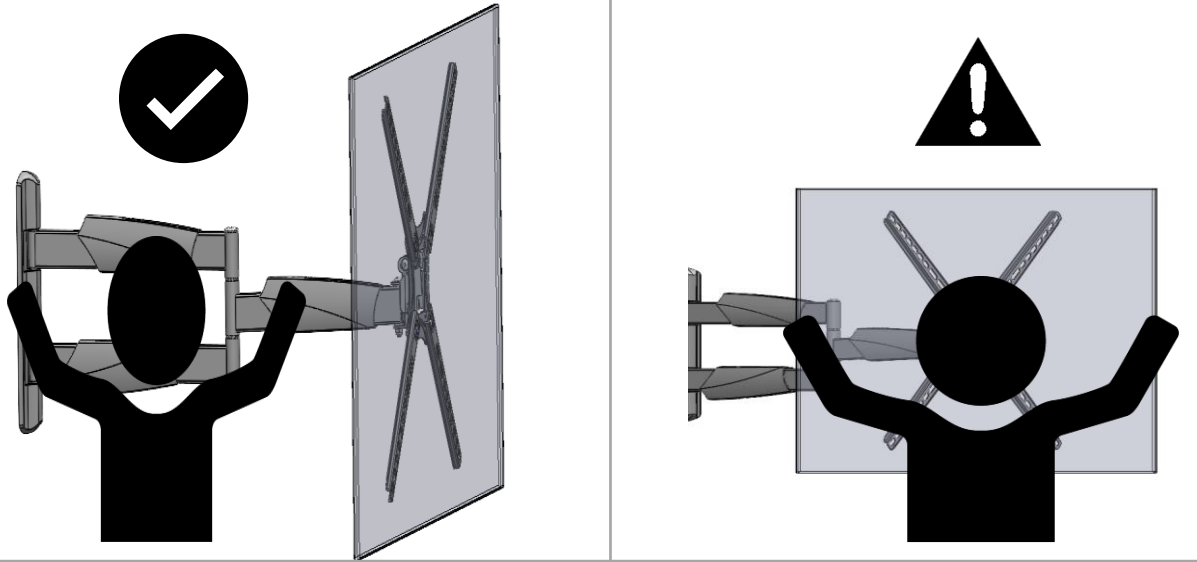
11 Place the TV cables in the Cable Management covers.



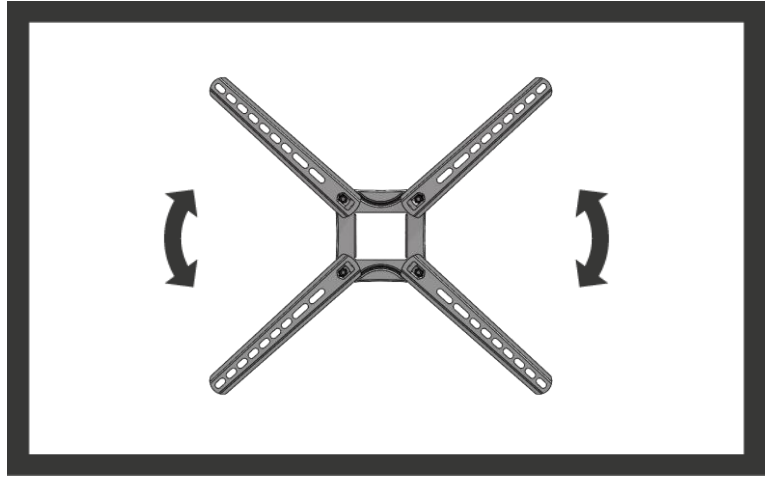
12 Reconnect the Cable Management covers to the mount.



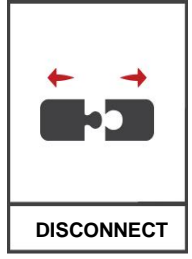
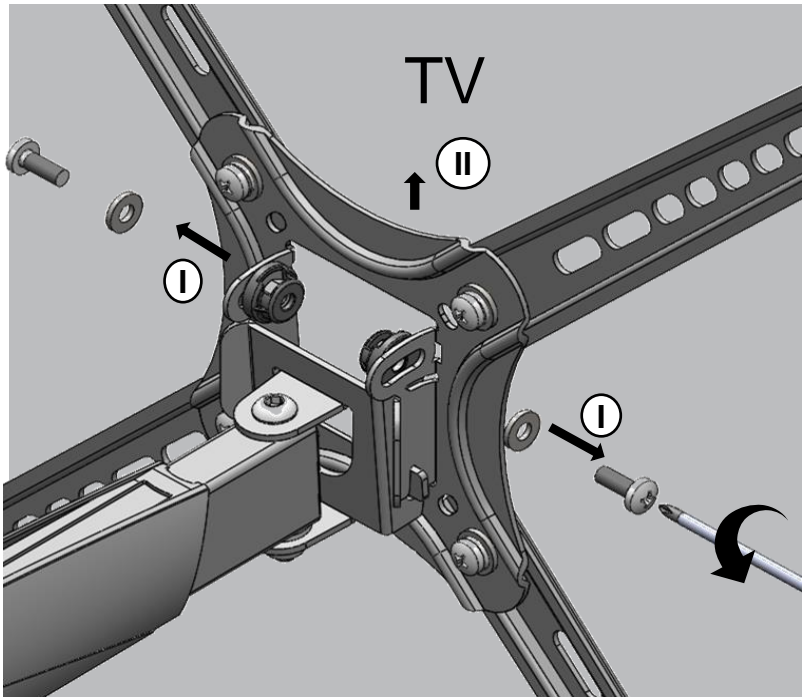
13 Move the TV - by pulling/pushing the Bracket (A). Be careful when you move the TV by the screen.



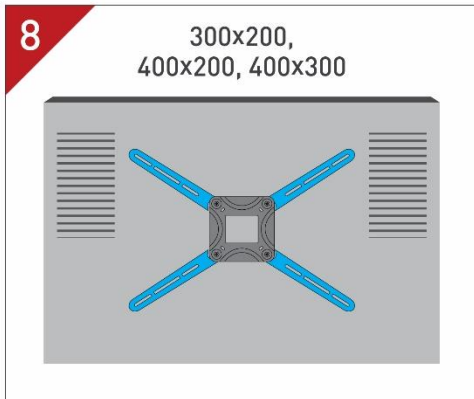
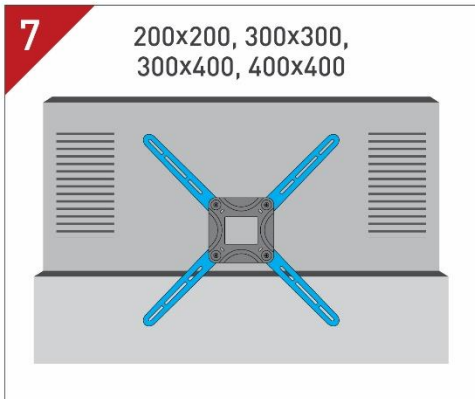
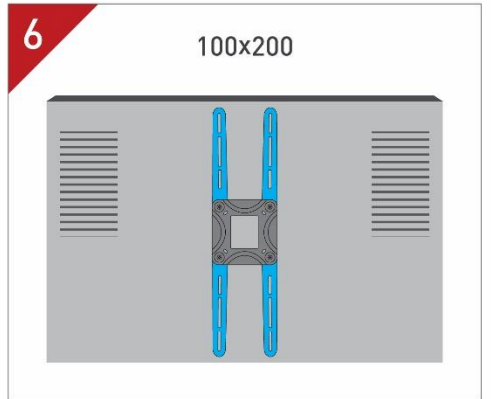
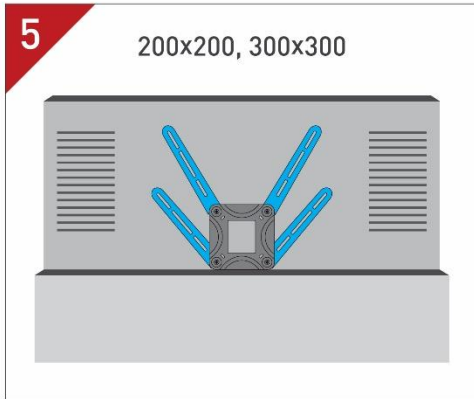
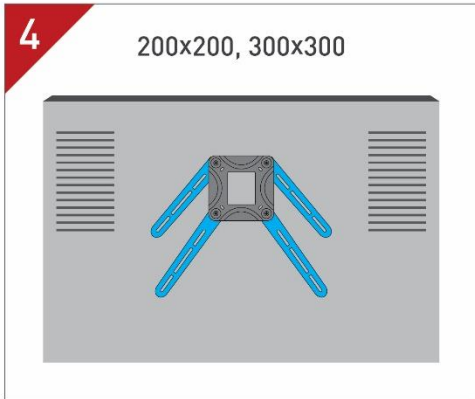
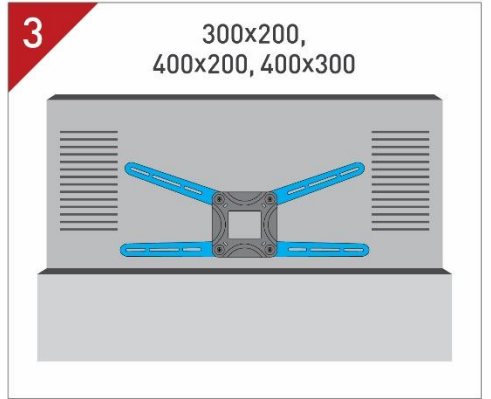
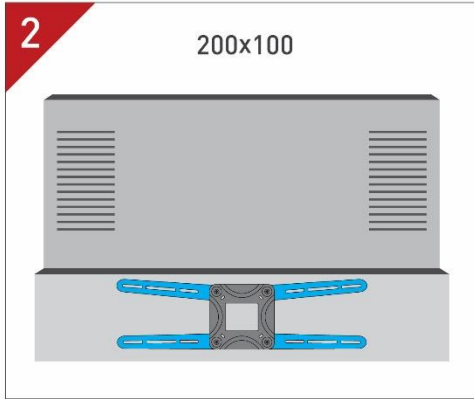
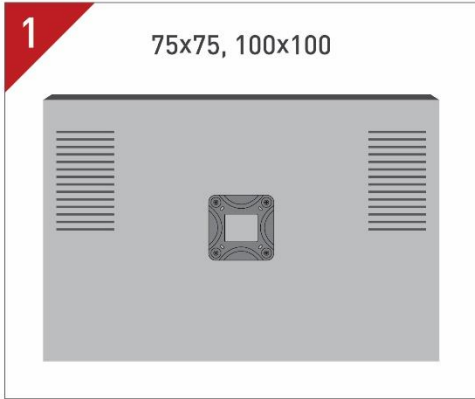
14 Level the TV.



To dismantle the TV, disconnect the screws on both sides (I) and lift the TV up (II).



BACKSCREEN CONNECTION POSITIONING OPTIONS



VEESA-Positions-BNG-2111-400x400



Ovaj dokument je originalno proizveden i objavljen od strane proizvođača, brenda Barkan, i preuzet je sa njihove zvanične stranice. S obzirom na ovu činjenicu, Tehnoteka ističe da ne preuzima odgovornost za tačnost, celovitost ili pouzdanost informacija, podataka, mišljenja, saveta ili izjava sadržanih u ovom dokumentu.

Napominjemo da Tehnoteka nema ovlašćenje da izvrši bilo kakve izmene ili dopune na ovom dokumentu, stoga nismo odgovorni za eventualne greške, propuste ili netačnosti koje se mogu naći unutar njega. Tehnoteka ne odgovara za štetu nanесenu korisnicima pri upotrebi netačnih podataka. Ukoliko imate dodatna pitanja o proizvodu, ljubazno vas molimo da kontaktirate direktno proizvođača kako biste dobili sve detaljne informacije.

Za najnovije informacije o ceni, dostupnim akcijama i tehničkim karakteristikama proizvoda koji se pominje u ovom dokumentu, molimo posetite našu stranicu klikom na sledeći link:

<https://tehnoteka.rs/p/zidni-nosac-za-tv-barkan-bm343lp-akcija-cena/>