

## Uputstvo za montažu i instalaciju (EN)

Zidni nosač za TV BARKAN E304 - TVZ01905



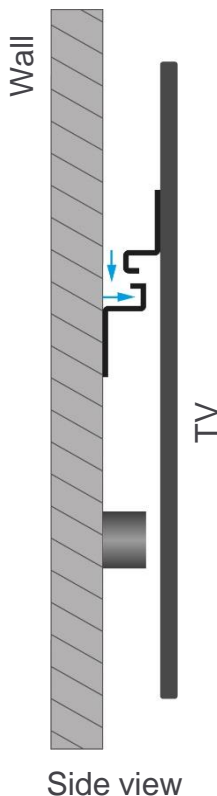
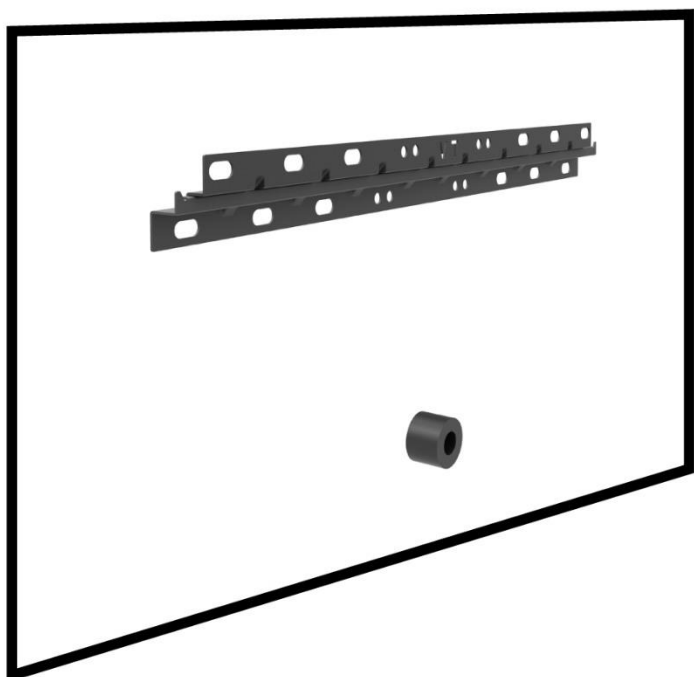
Tehnoteka je online destinacija za upoređivanje cena i karakteristika bele tehnike, potrošačke elektronike i IT uređaja kod trgovinskih lanaca i internet prodavnica u Srbiji. Naša stranica vam omogućava da istražite najnovije informacije, detaljne karakteristike i konkurentne cene proizvoda.

Posetite nas i uživajte u ekskluzivnom iskustvu pametne kupovine klikom na link:

<https://tehnoteka.rs/p/zidni-nosac-za-tv-barkan-e304-tvz01905-akcija-cena/>

**TV Wall Mount**

Fixed



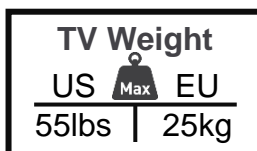
Download Assembly Instructions with Text



**Warning!** Ignoring the safety and assembly instructions may result in **SERIOUS OR FATAL INJURIES** from tip over or the falling of the product and the electrical appliances. Opening the package represents your undertaking to closely read and follow the instructions. This product is not intended for use in public places. **For Safety Instructions, warranty and further information, go to: [www.barkanmounts.com](http://www.barkanmounts.com) › Support › Safety Instructions & Warranty**


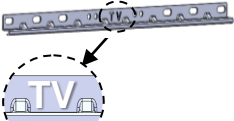







For more information: [barkanmounts.com](http://barkanmounts.com)

If you are satisfied with the product, please give us a 5 stars ☆☆☆☆☆ rating on the website you bought it from. If you are not satisfied please contact us at <https://www.barkanmounts.com/support> and we will solve the problem for you.



**Safety instructions and installation warnings (provided separately) must be read in full, prior to assembly.**

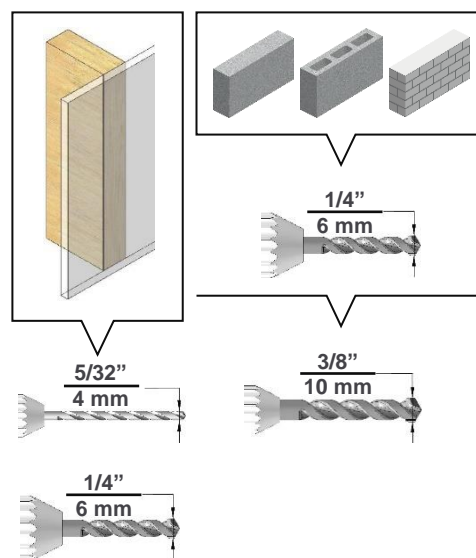
# Included Parts not to scale

<p><b>A</b> Wall Rail</p>  <p>x1</p>	<p><b>B</b> TV Rail</p>  <p>x1</p>	<p><b>Z1</b></p>  <p>x2</p>
<p><b>Z2</b></p>  <p>x2</p>	<p><b>Z6</b></p>  <p>x2</p>	<p><b>Z7</b></p>  <p>x1</p>
<p><b>Z8</b></p>  <p>x1</p>	<p><b>Z9</b></p>  <p>x4</p>	<p><b>Z10</b></p>  <p>x1</p>


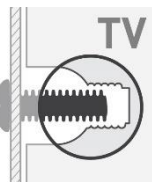
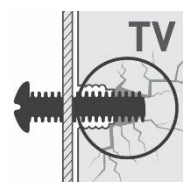

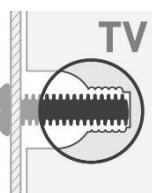
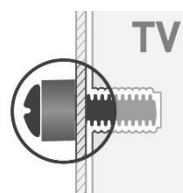


#	M	L mm	L inch	pcs
<b>Z3</b>	4	14	9/16	2
<b>Z4</b>	6	20	3/4	2
<b>Z5</b>	8	25	1	2

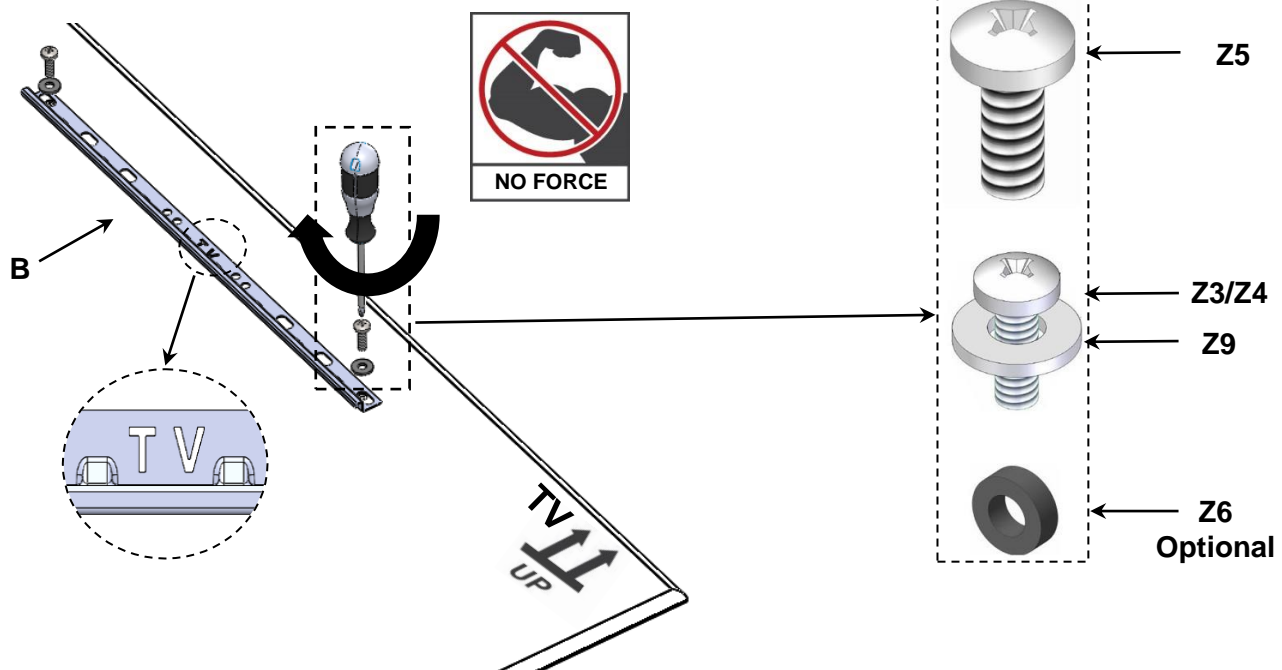
## Required Tools



## Connect the TV plate to the back of the TV

<p>Wrong</p> 		
<p>Right</p> 		
<p>Purchase longer screws</p>		<p>Use the spacers (Z6) in order to adjust the screws length inside the TV</p>

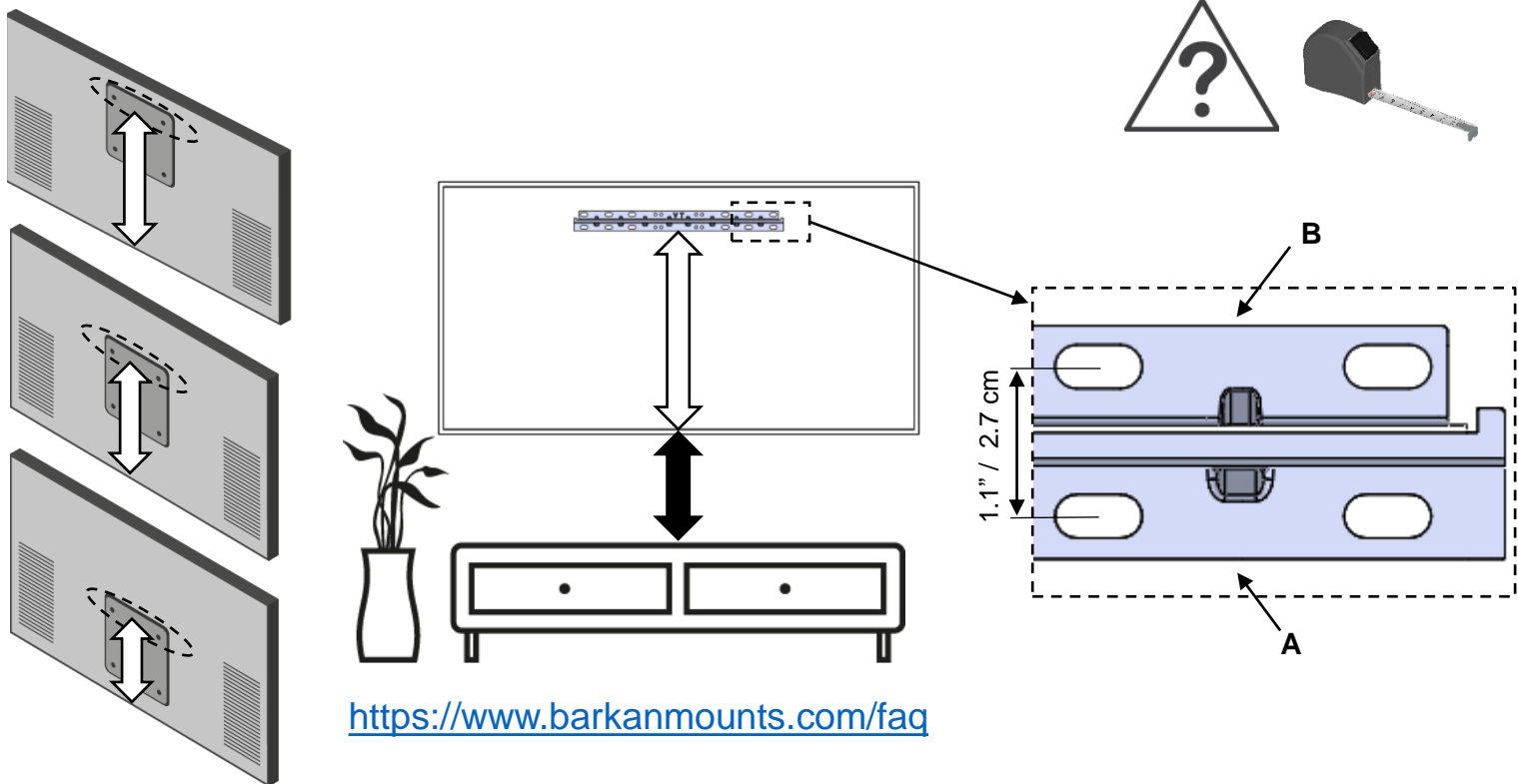
**1** 75x75 mm up to 400x400 mm hole pattern



2

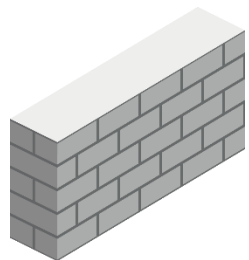
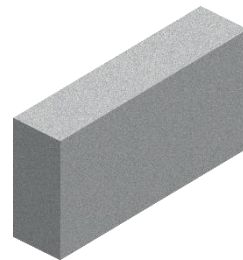
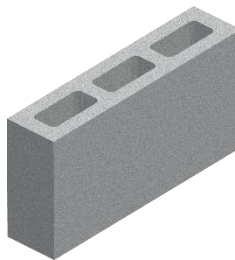
## Install the Bracket on the Wall

Measure the distance between the location of the TV's upper mounting holes' center and the bottom of the TV, in order to set the required height of the TV



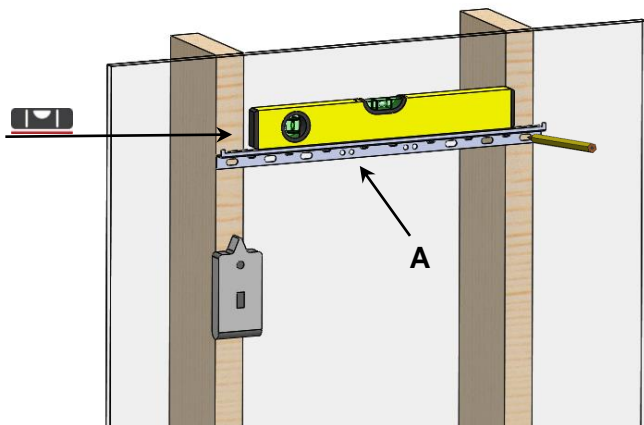
3

Follow the steps according to your wall type

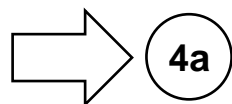


4

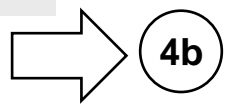
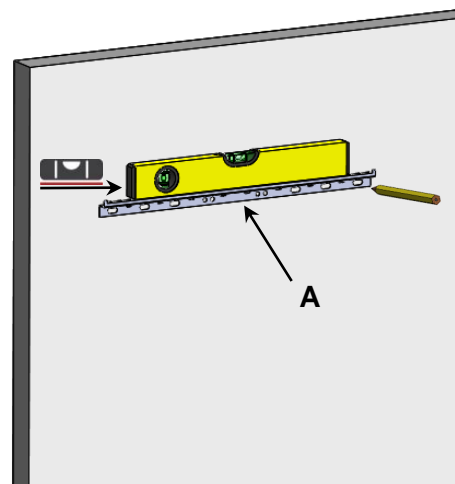
Mark the holes on the wall according to the required height



Use a Stud Finder

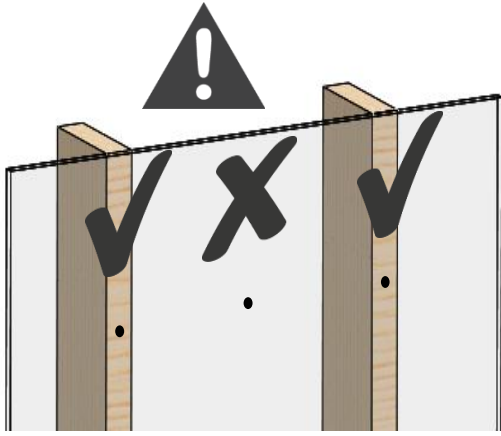


Page 5

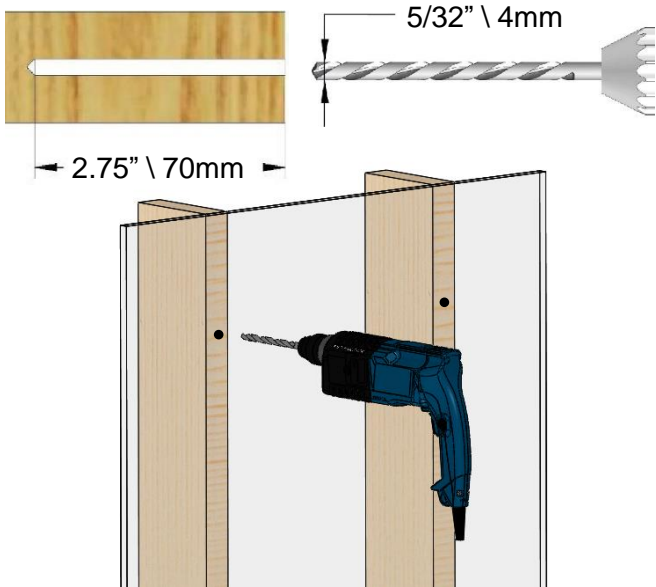


Page 5

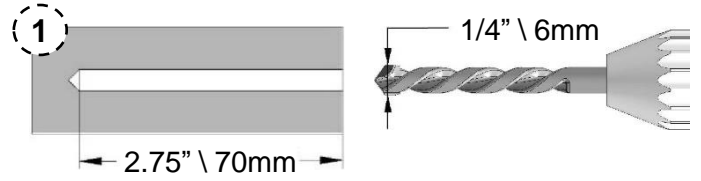
**4a** Make sure all holes are inside the studs



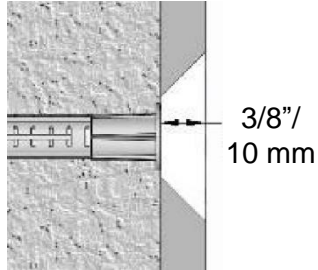
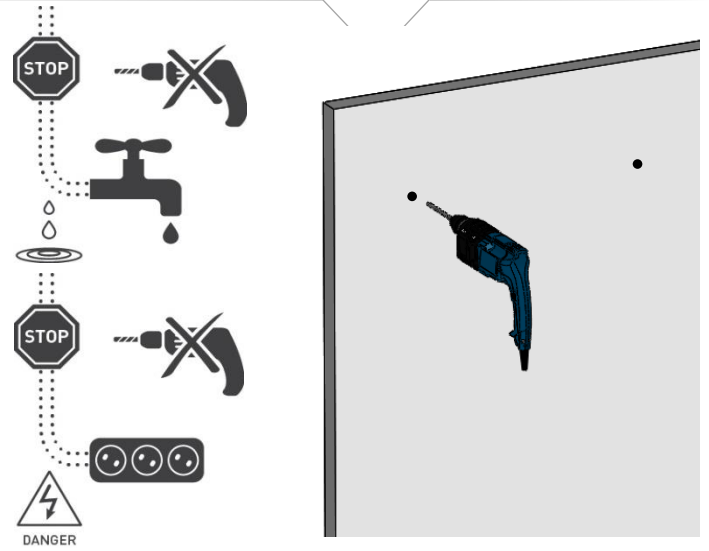
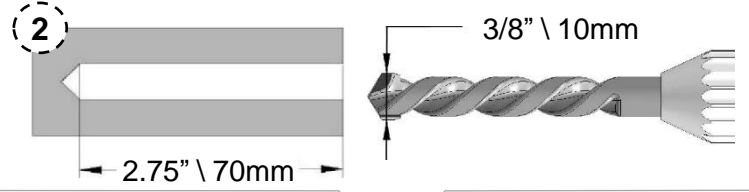
Drill with 5/32" \ 4mm drill bit



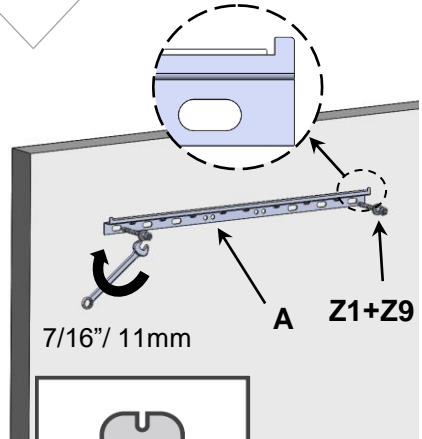
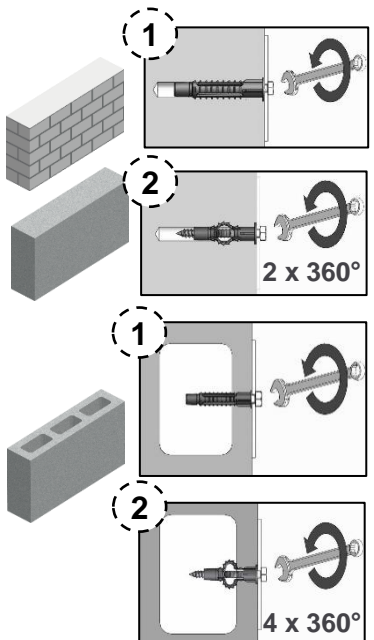
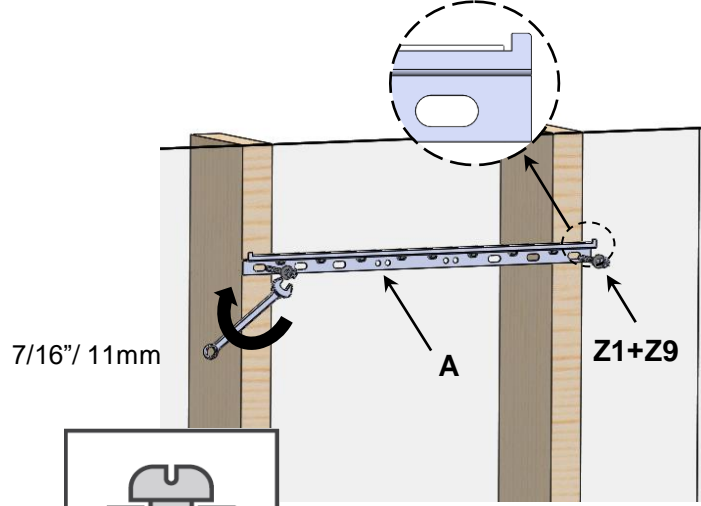
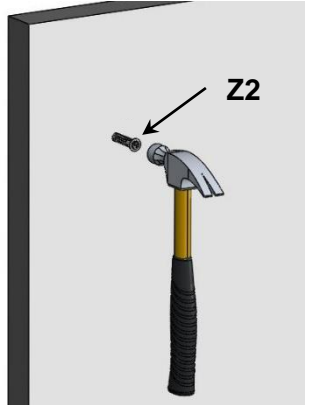
**4b** First use 1/4" \ 6mm drill bit



Afterwards use 3/8" \ 10mm drill bit

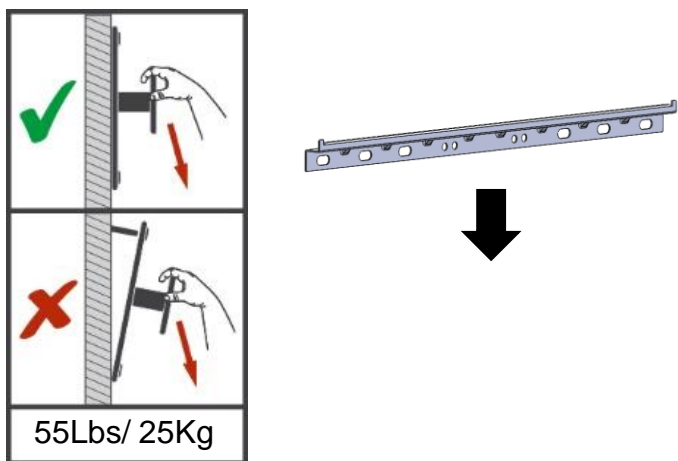


The anchor must be sunk at least 3/8"/10 mm into the plaster coating

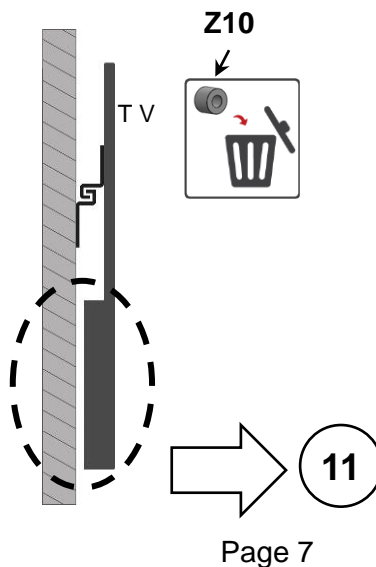


### 5 Weight test

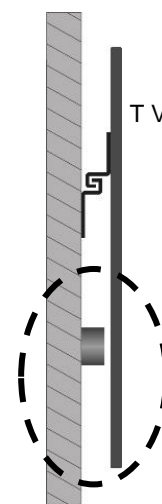
Apply force on the upper part of the Wall Rail and make sure it is well connected



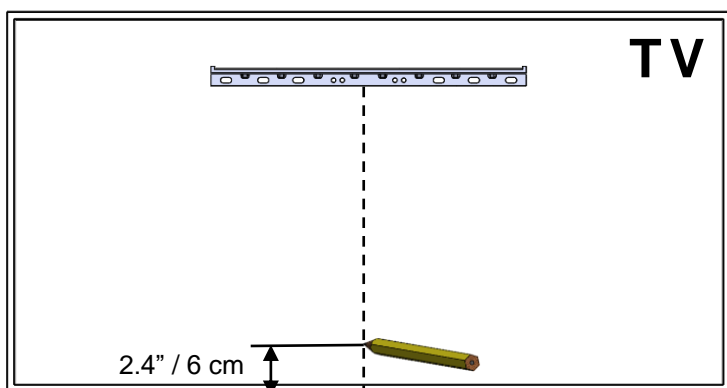
### 6a



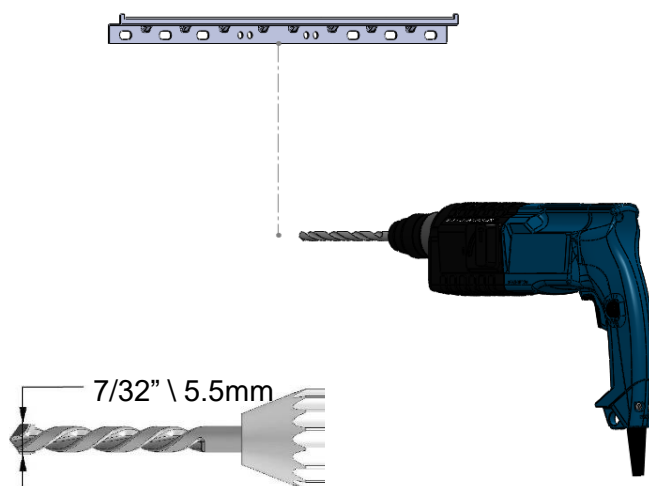
### 6b



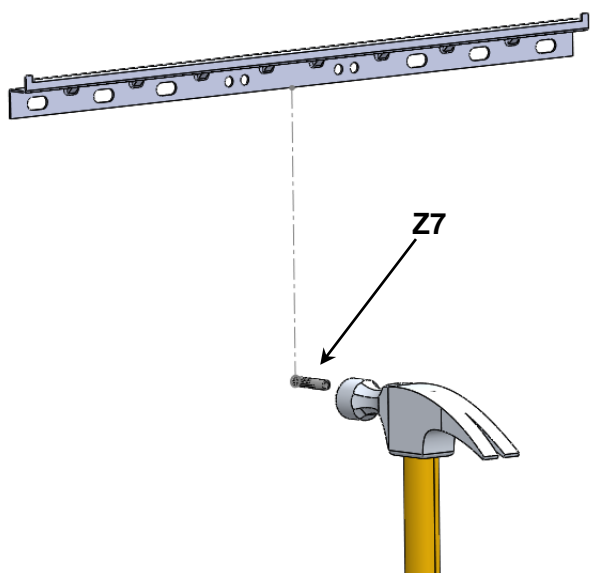
### 7 Mark the hole on the wall 1.2" / 3cm from the bottom of the TV



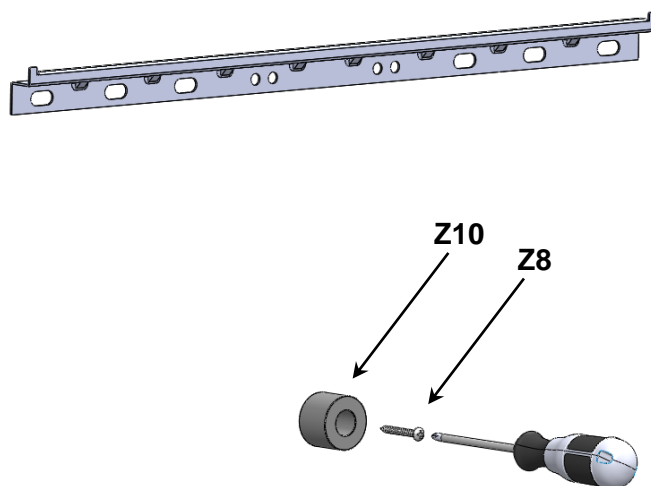
### 8 Drill with 7/32" / 5.5mm drill bit



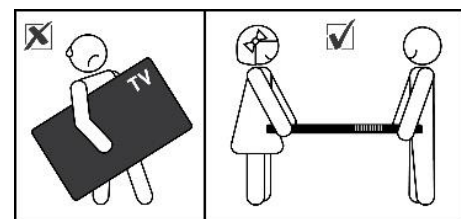
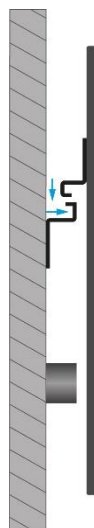
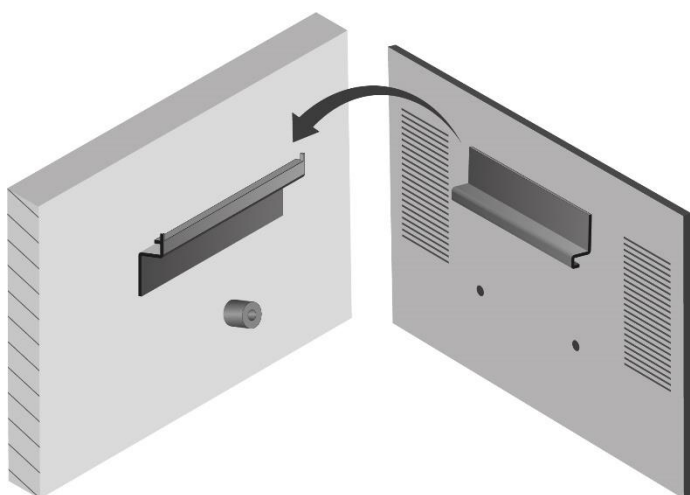
### 9



### 10





**11** Connect the TV with the TV Rail to the Wall Rail

Make sure that the TV Rail is positioned properly on the Wall Rail



Ovaj dokument je originalno proizveden i objavljen od strane proizvođača, brenda Barkan, i preuzet je sa njihove zvanične stranice. S obzirom na ovu činjenicu, Tehnoteka ističe da ne preuzima odgovornost za tačnost, celovitost ili pouzdanost informacija, podataka, mišljenja, saveta ili izjava sadržanih u ovom dokumentu.

Napominjemo da Tehnoteka nema ovlašćenje da izvrši bilo kakve izmene ili dopune na ovom dokumentu, stoga nismo odgovorni za eventualne greške, propuste ili netačnosti koje se mogu naći unutar njega. Tehnoteka ne odgovara za štetu nanесenu korisnicima pri upotrebi netačnih podataka. Ukoliko imate dodatna pitanja o proizvodu, ljubazno vas molimo da kontaktirate direktno proizvođača kako biste dobili sve detaljne informacije.

Za najnovije informacije o ceni, dostupnim akcijama i tehničkim karakteristikama proizvoda koji se pominje u ovom dokumentu, molimo posetite našu stranicu klikom na sledeći link:

<https://tehnoteka.rs/p/zidni-nosac-za-tv-barkan-e304-tvz01905-akcija-cena/>