

## Uputstvo za montažu i instalaciju (EN)

Zidni nosač za TV BARKAN LCD VTM464L



Tehnoteka je online destinacija za upoređivanje cena i karakteristika bele tehnike, potrošačke elektronike i IT uređaja kod trgovinskih lanaca i internet prodavnica u Srbiji. Naša stranica vam omogućava da istražite najnovije informacije, detaljne karakteristike i konkurentne cene proizvoda.

Posetite nas i uživajte u ekskluzivnom iskustvu pametne kupovine klikom na link:

<https://tehnoteka.rs/p/zidni-nosac-za-tv-barkan-lcd-vtm464l-akcija-cena/>

## TV Wall Mount with Integrated Amplified HDTV Indoor Antenna

Full Motion: Rotate, Fold, Swivel & Tilt

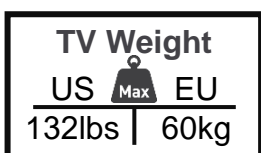


### For optimal reception, make sure:

- You have a Smart TV, a TV with ATSC digital tuner or decoder.
- It is recommended to use the Antenna mount inside a room that has an outer wall.
- Your house is within the Digital HDTV OTA signal range (if you are not sure, check here – <https://tinyurl.com/zu5zagq>)

For more information: [barkanmounts.com](https://barkanmounts.com)

If you are satisfied with the product, please give us a 5 stars ☆☆☆☆☆ rating on the website you bought it from. If you are not satisfied please contact us at <https://www.barkanmounts.com/support> and we will solve the problem for you.



Directional reception through the space  
between the TV and the wall  
Top view

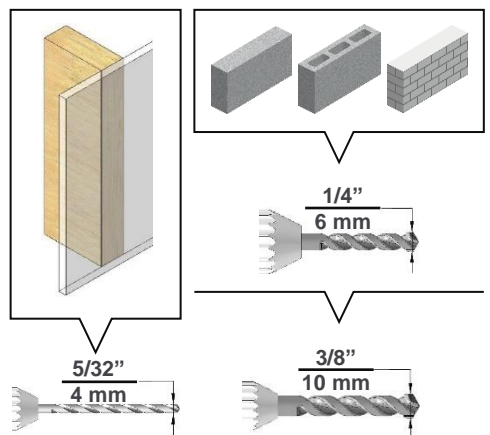


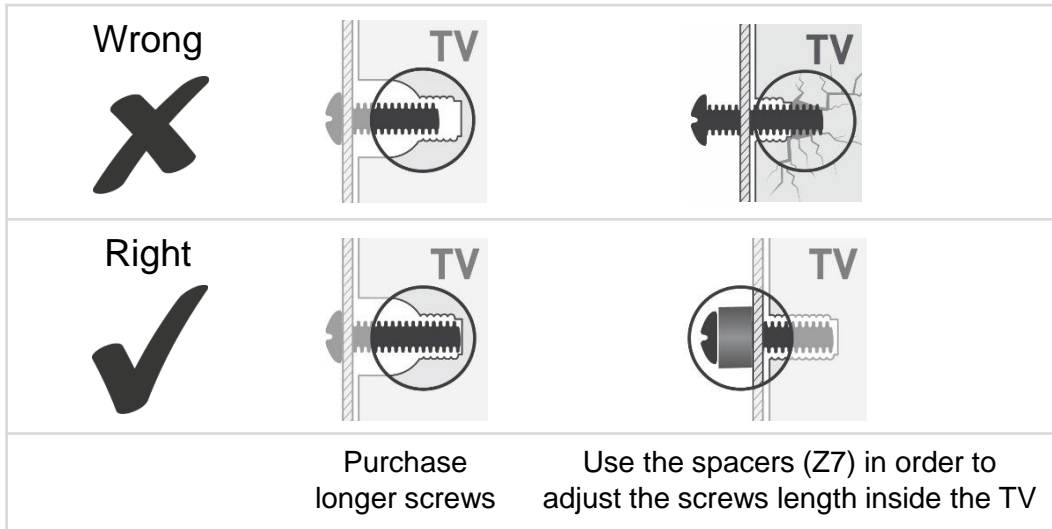
**Safety instructions and installation warnings (provided separately)  
must be read in full, prior to assembly.**

<b>A</b> Bracket  x1	<b>B</b> Front Arms  x1	<b>C</b> TV Plate  x1	<b>D</b> Adaptor  x4	<b>E</b> Antenna Core  x1																														
<b>F</b> Drilling Template  x1	<b>G</b> Amplifier  x1	<b>H</b> Amplifier power cable  x1	<b>I</b> American – European adaptor  x1	<b>Z4</b>  x8																														
<b>Z7</b>  x4	<b>Z8</b> Sticker  x6	<b>Z9</b>  x2	<b>Z10</b>  x2	<b>W1</b>  x6																														
<b>W2</b>  x6	<b>W3</b>  x6	<b>Y1</b>  x2	<b>Y2</b>  x2	<b>Y3</b>  x1																														
<b>Y4</b> Wall Plate Plastic Cover  x1	<b>Y5</b> Wall Plate Plastic Cover  x1	<b>Y6</b> Cable Management  x2	<table border="1"> <thead> <tr> <th>#</th> <th>M</th> <th>L mm</th> <th>L inch</th> <th>pcs</th> </tr> </thead> <tbody> <tr> <td>Z1</td> <td>6</td> <td>16</td> <td>5/8</td> <td>4</td> </tr> <tr> <td>Z2</td> <td>6</td> <td>25</td> <td>1</td> <td>4</td> </tr> <tr> <td>Z3</td> <td>4</td> <td>20</td> <td>3/4</td> <td>4</td> </tr> <tr> <td>Z5</td> <td>8</td> <td>25</td> <td>1</td> <td>4</td> </tr> <tr> <td>Z6</td> <td>8</td> <td>45</td> <td>1 3/4</td> <td>4</td> </tr> </tbody> </table>		#	M	L mm	L inch	pcs	Z1	6	16	5/8	4	Z2	6	25	1	4	Z3	4	20	3/4	4	Z5	8	25	1	4	Z6	8	45	1 3/4	4
#	M	L mm	L inch	pcs																														
Z1	6	16	5/8	4																														
Z2	6	25	1	4																														
Z3	4	20	3/4	4																														
Z5	8	25	1	4																														
Z6	8	45	1 3/4	4																														



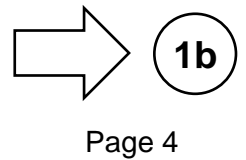
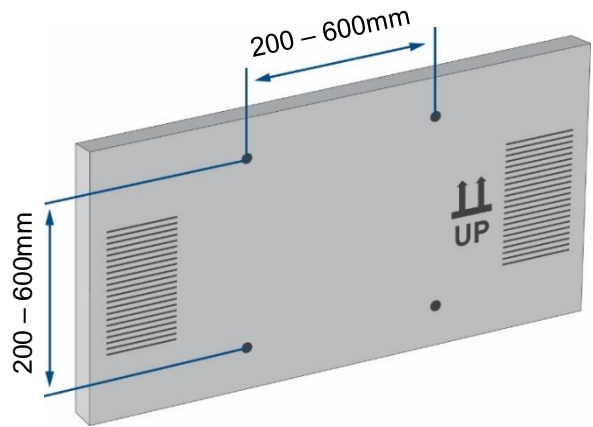
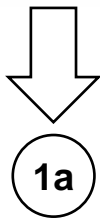
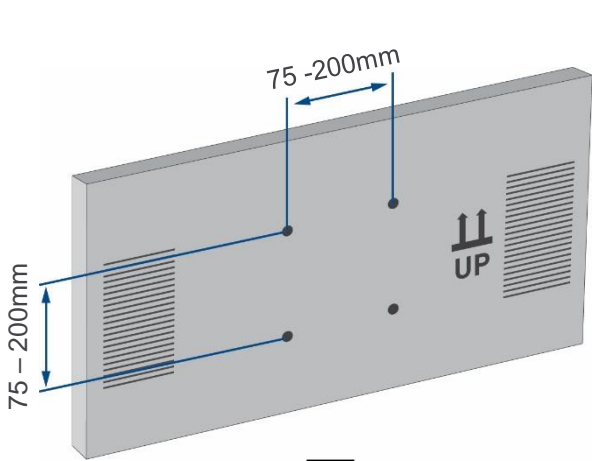
## Required Tools





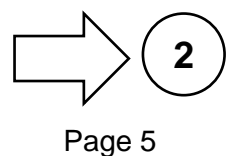
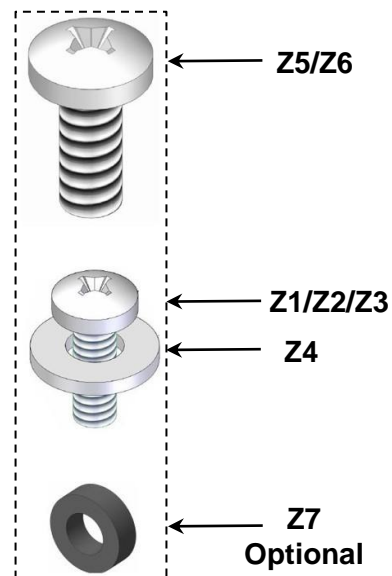
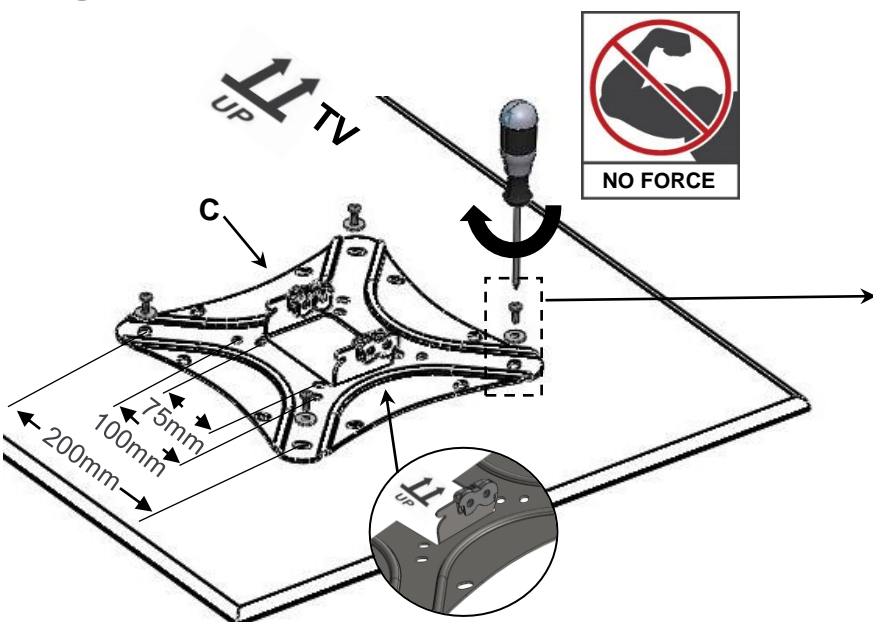
1

Continue according to your TV mounting hole pattern

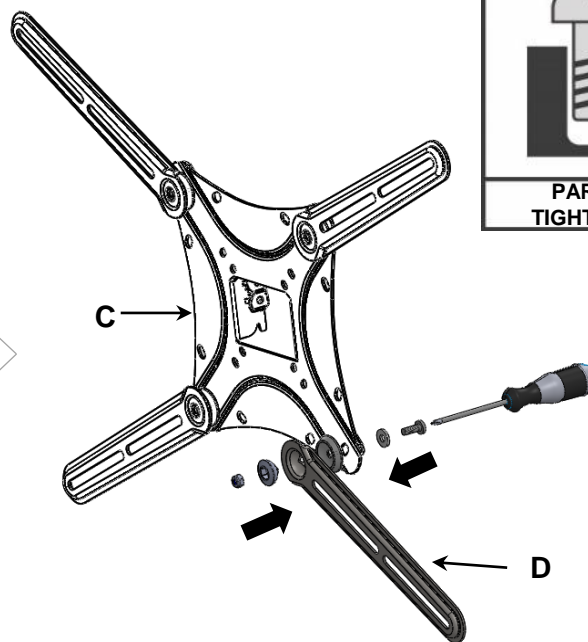
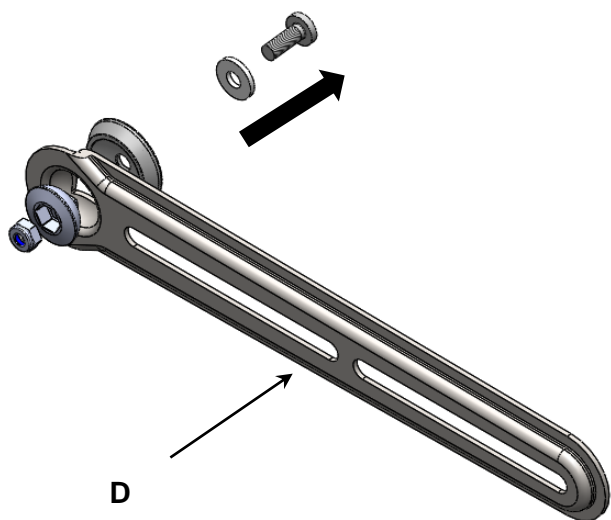


1a

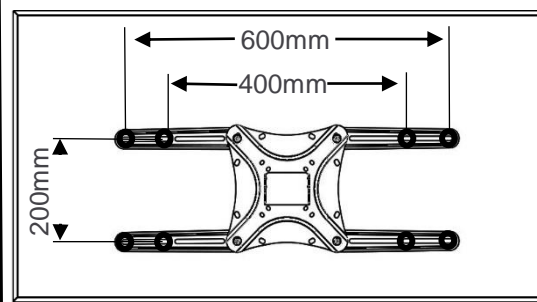
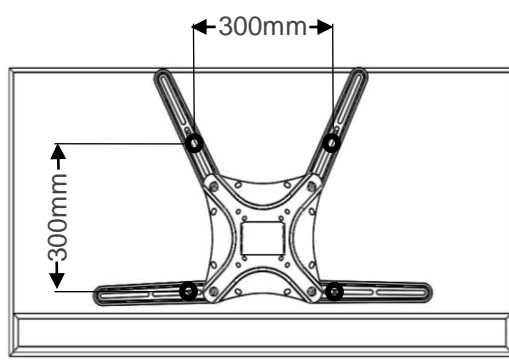
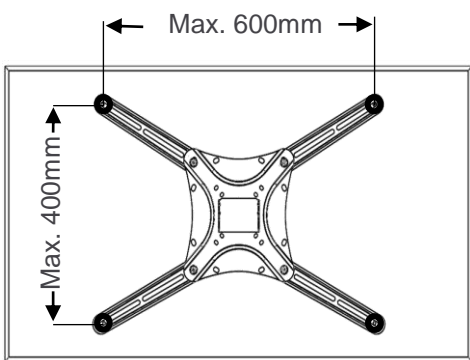
75x75 mm up to 200X200 mm hole pattern



**1b** Hole pattern above 200x200 mm and up to 600x400 mm:  
Disassemble the screws, connect the 4 Adaptors to the TV Plate and reassemble the screws.

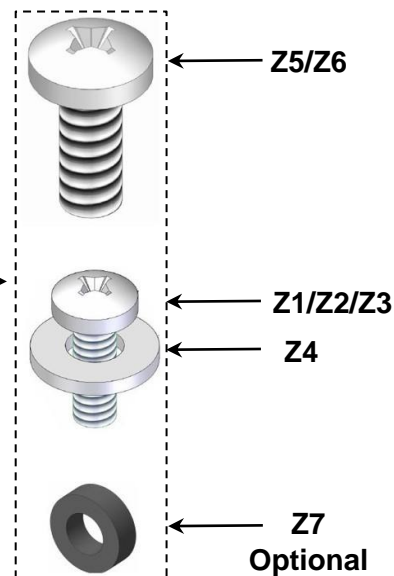
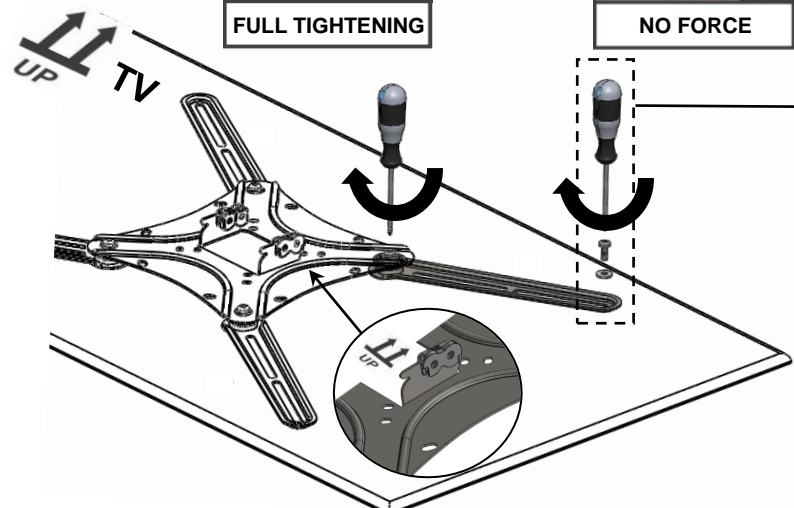


Position the Adaptors according to your TV's hole pattern

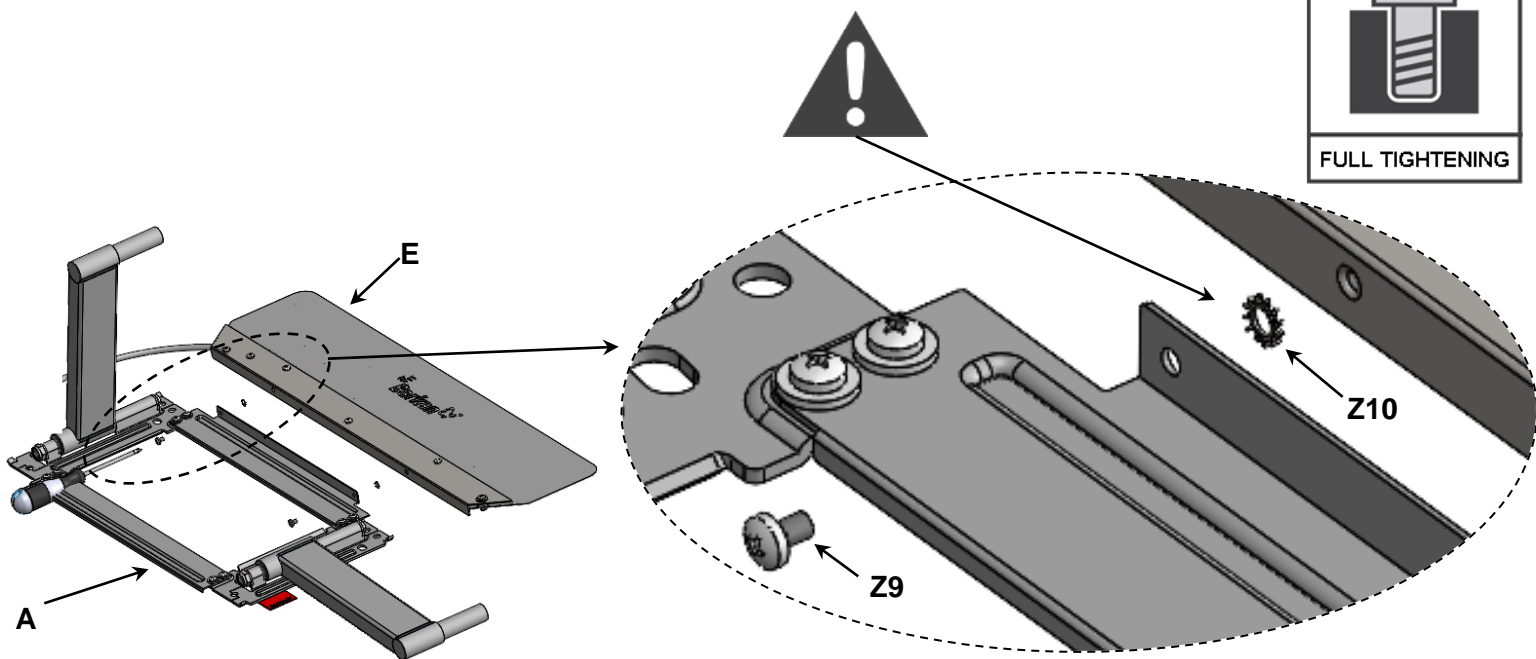


For more positioning options please turn to the last page

Connect the TV Plate with the Adaptors to the TV in all 4 connection holes

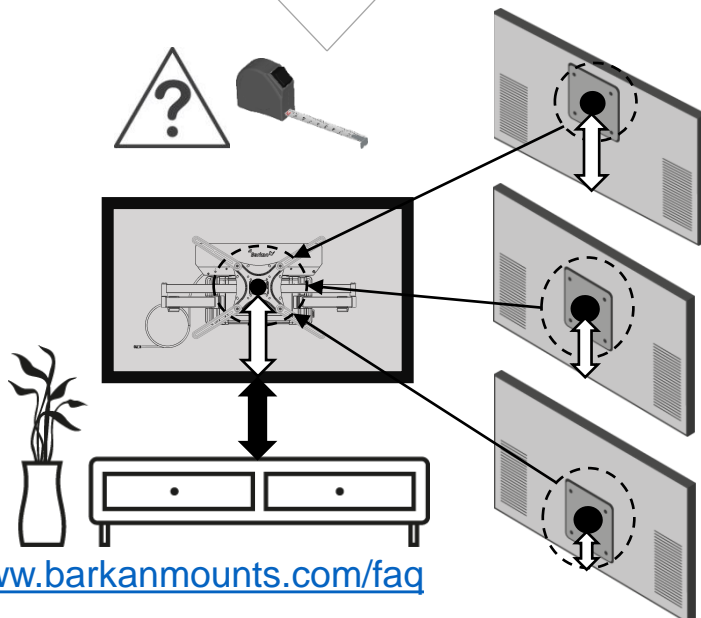
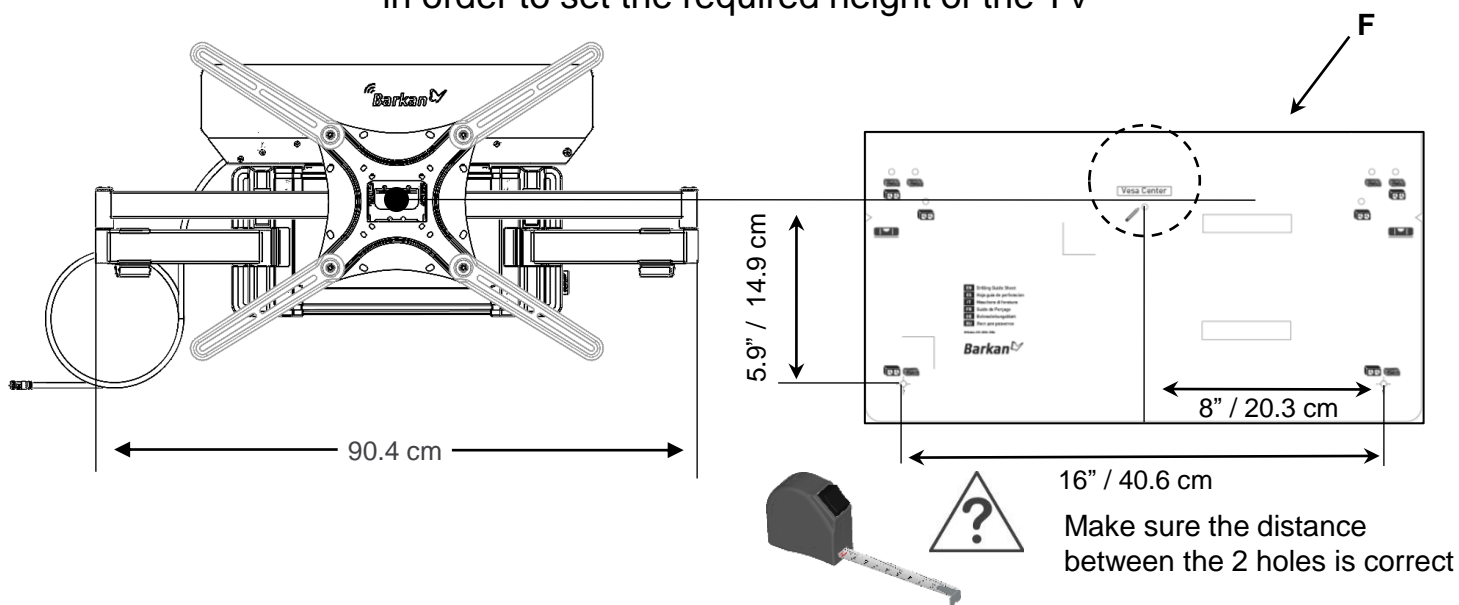


**2** Connect the Antenna core (E) to the Bracket (A).  
Make sure to place the Z10 washer between these two parts.



**3 Install the Bracket on the Wall**

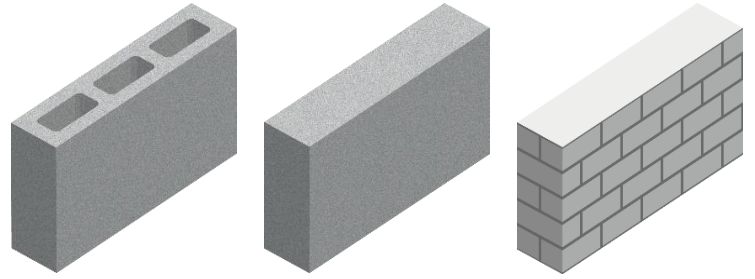
Measure the distance between the location of the TV's mounting holes' center (marked on the Drilling Template) and the bottom of the TV, in order to set the required height of the TV



4a

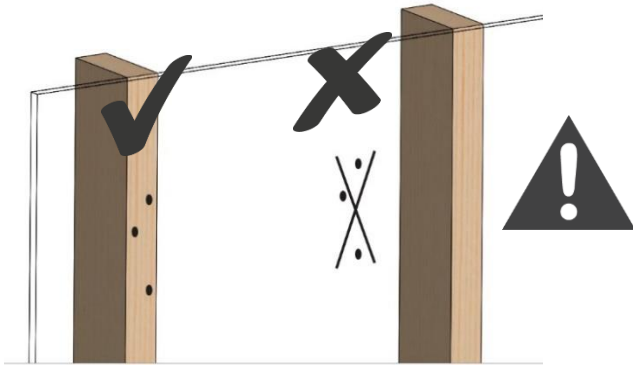


4b

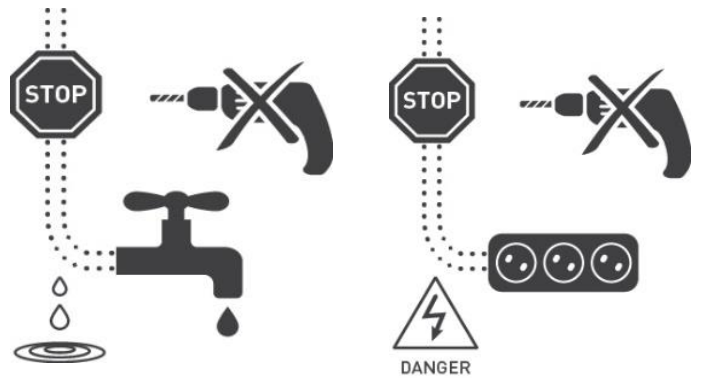


5a

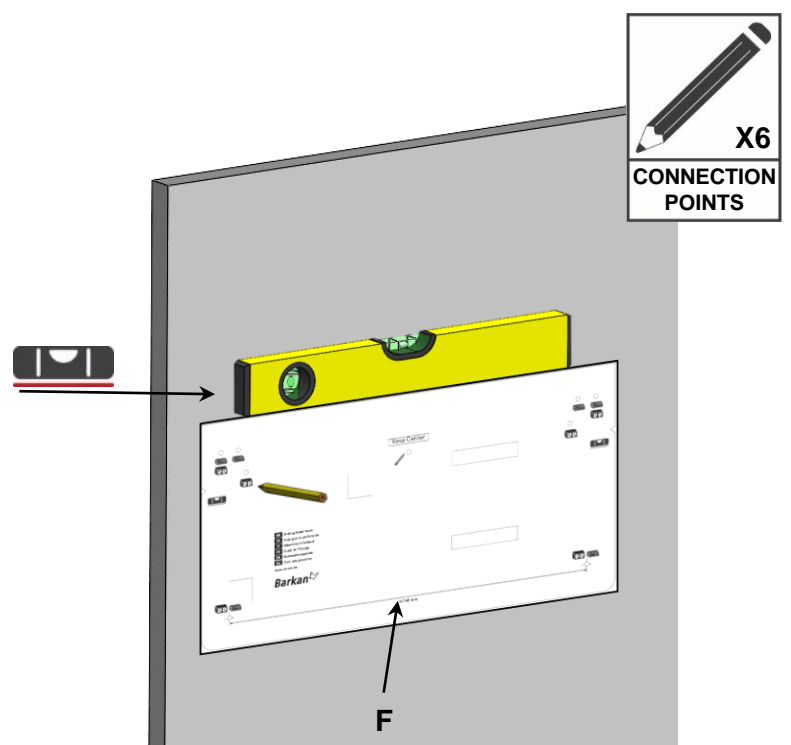
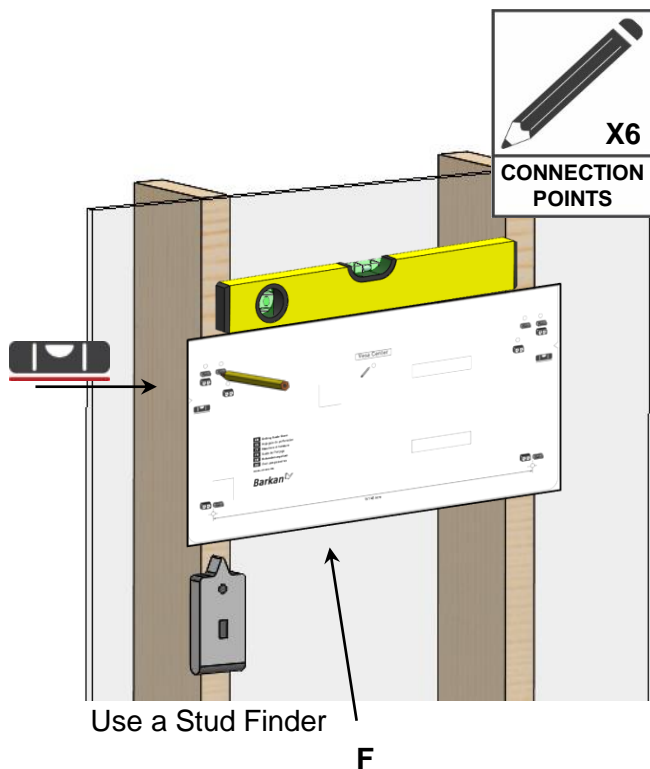
Make sure all holes are drilled inside the studs



5b

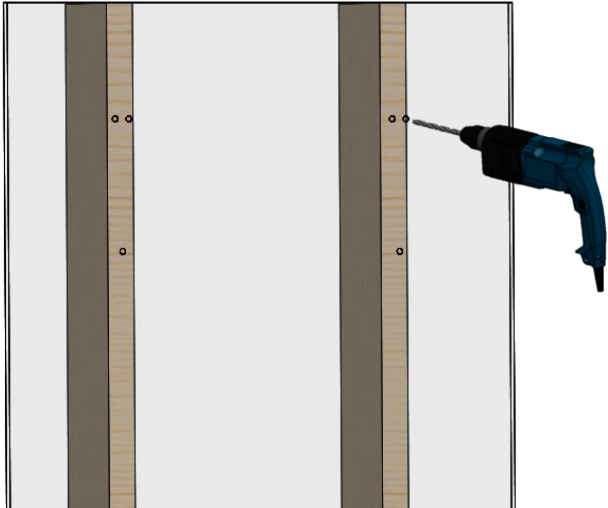
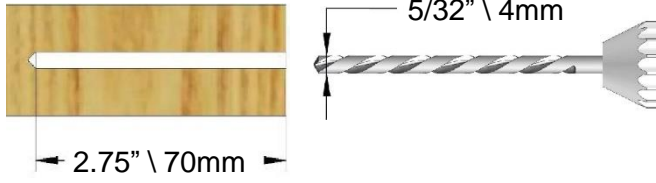


Mark the holes on the wall according to the required height



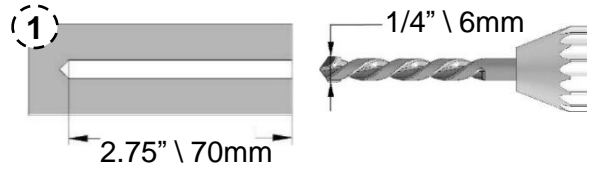
6a

Drill with 5/32" \ 4mm drill bit

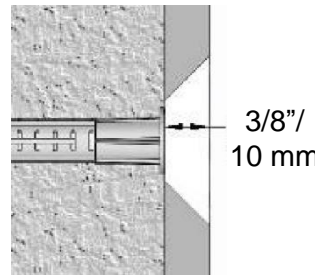
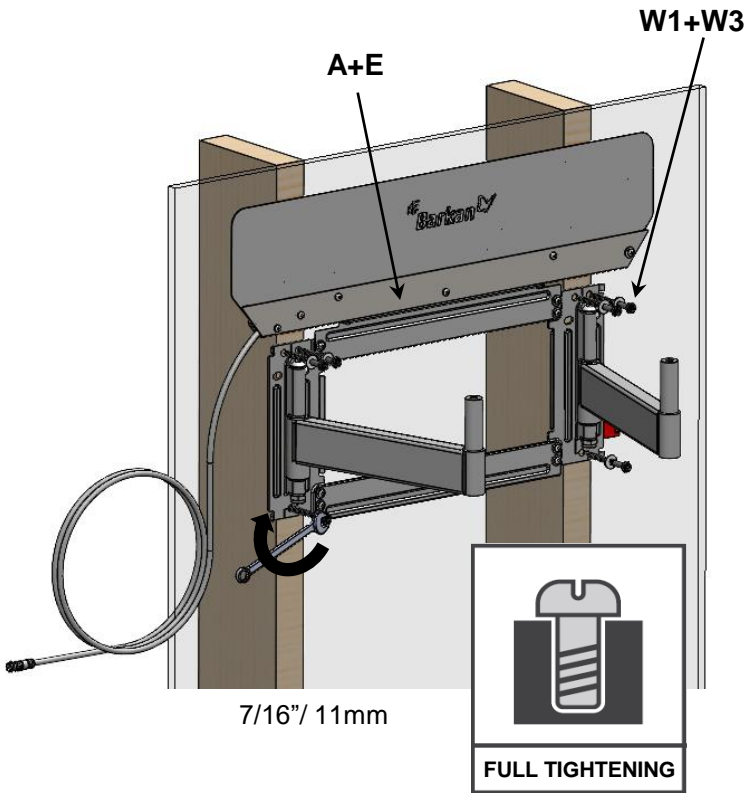
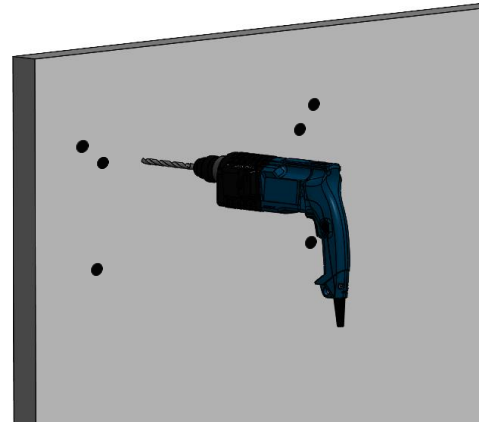
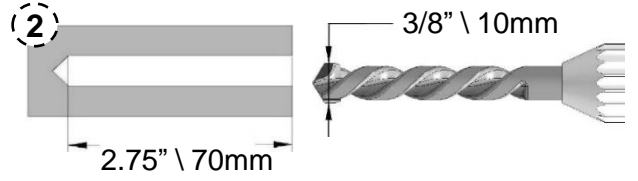


6b

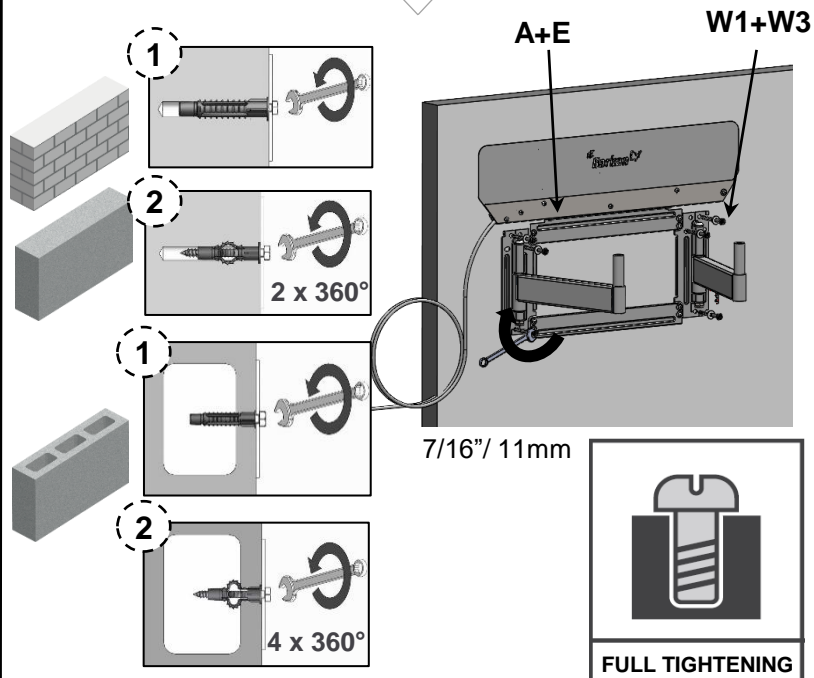
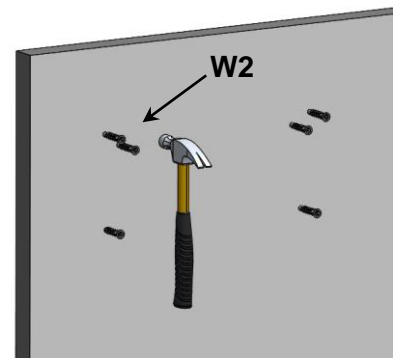
First use 1/4" \ 6mm drill bit



Afterwards use 3/8" \ 10mm drill bit

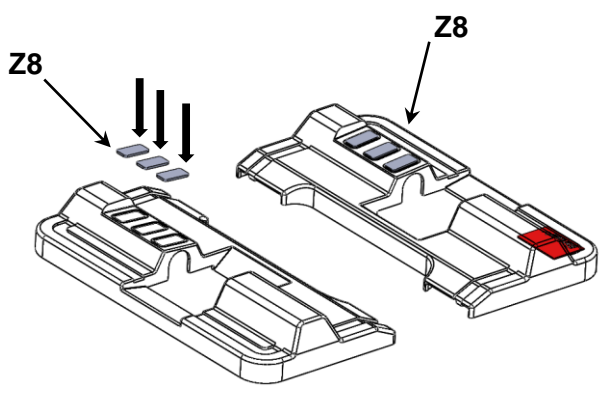


The anchor must be sunk at least 3/8"/10 mm into the plaster coating

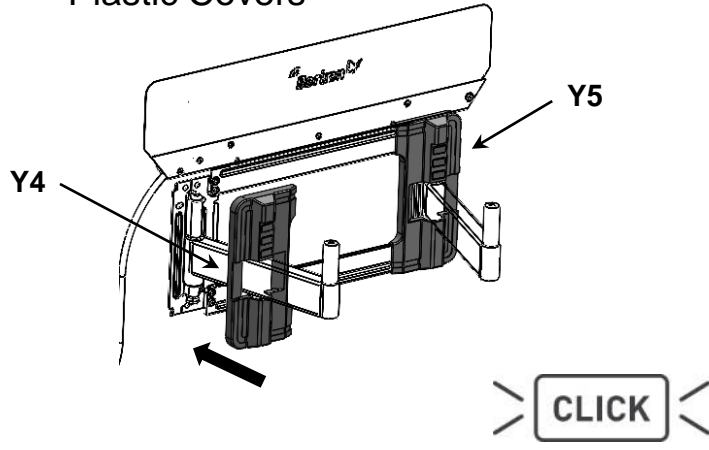




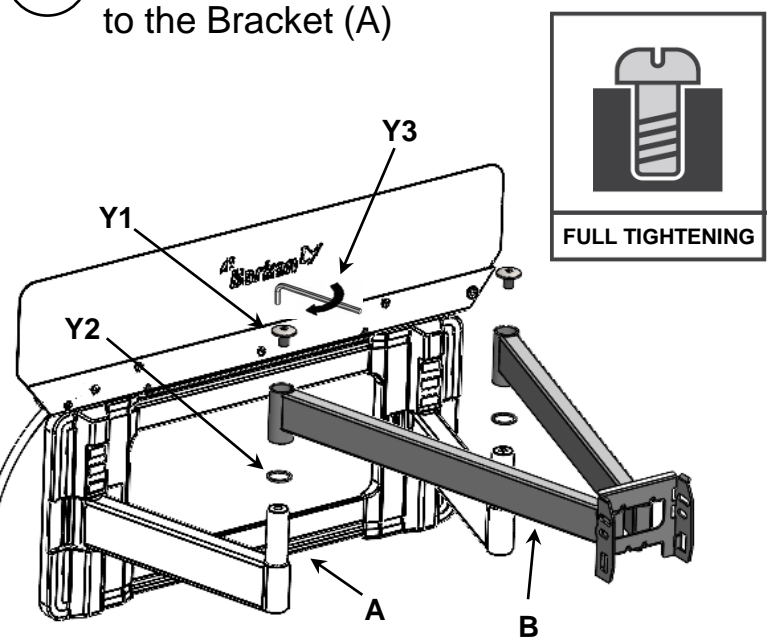
**7** Paste the 6 stickers on to the Plastic Covers



**8** Assemble the Wall Plate Plastic Covers

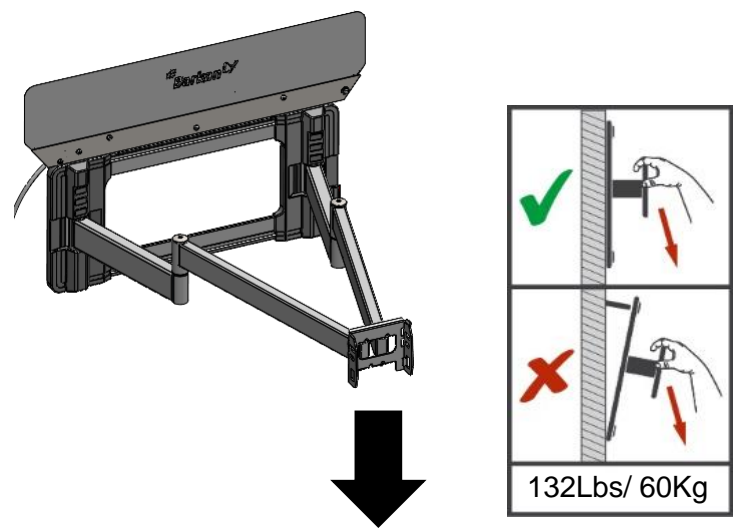


**9** Connect the Front Arms (B) to the Bracket (A)

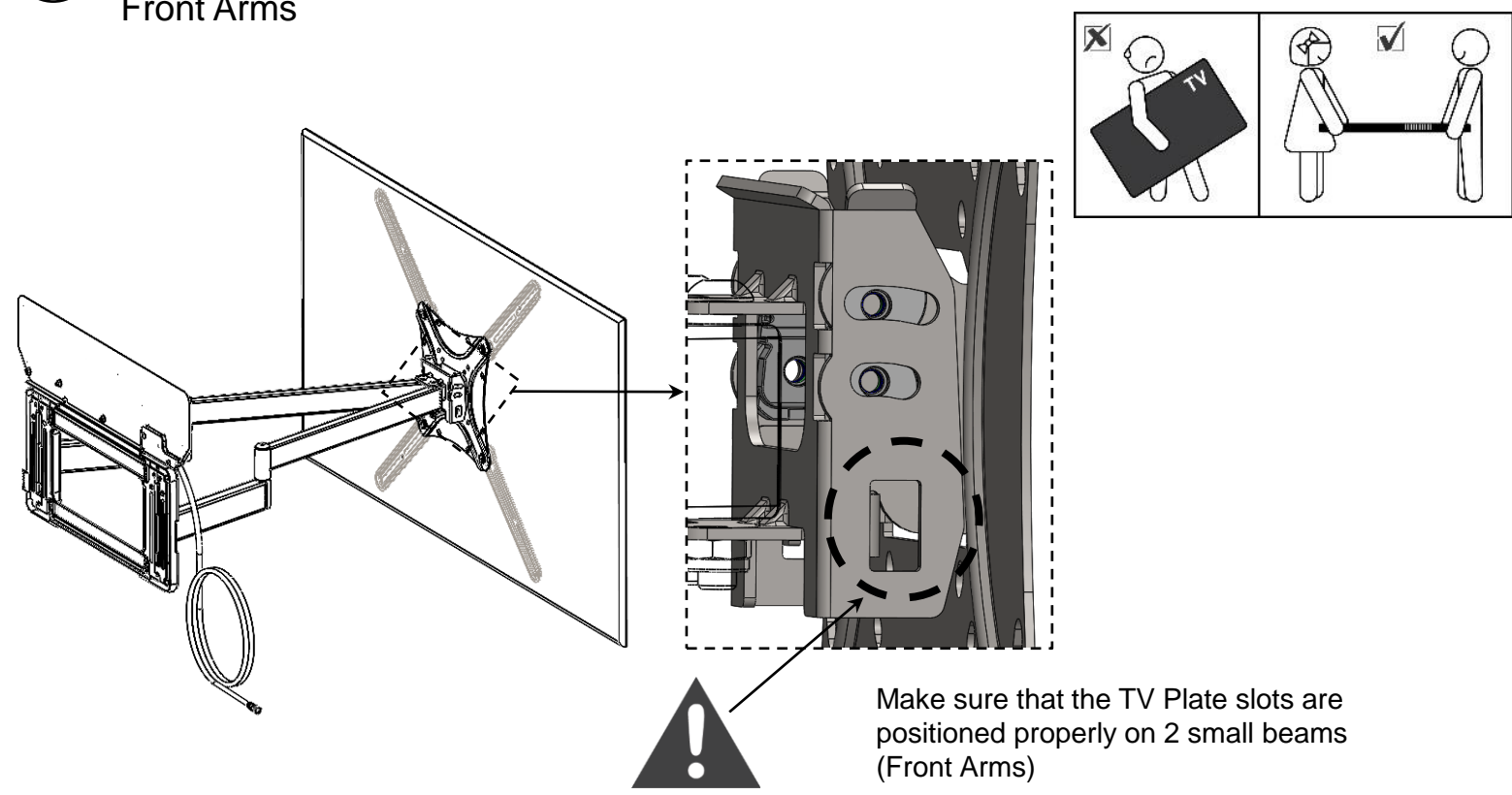


**10** Weight test

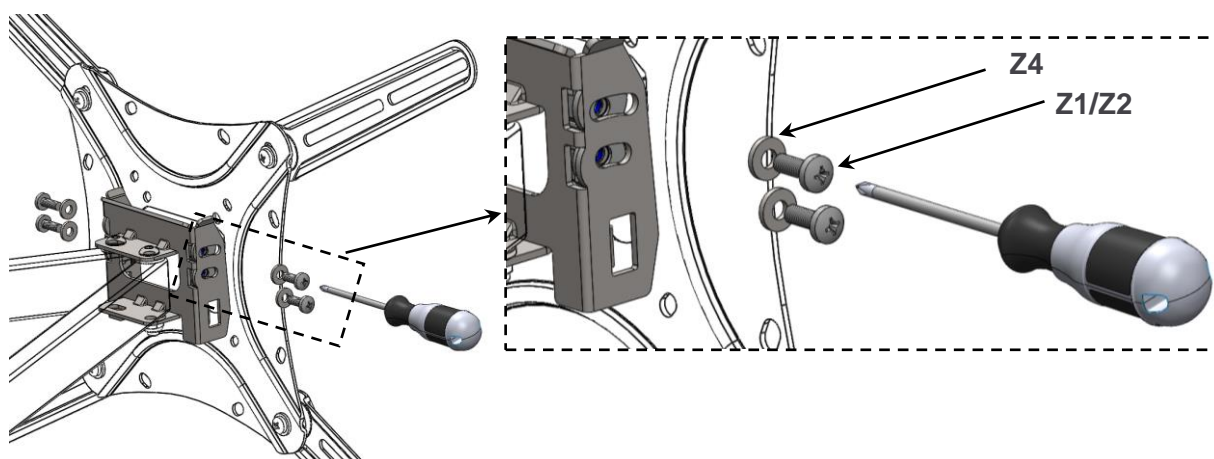
Apply force on the upper part of the Bracket and make sure it is well connected



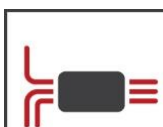
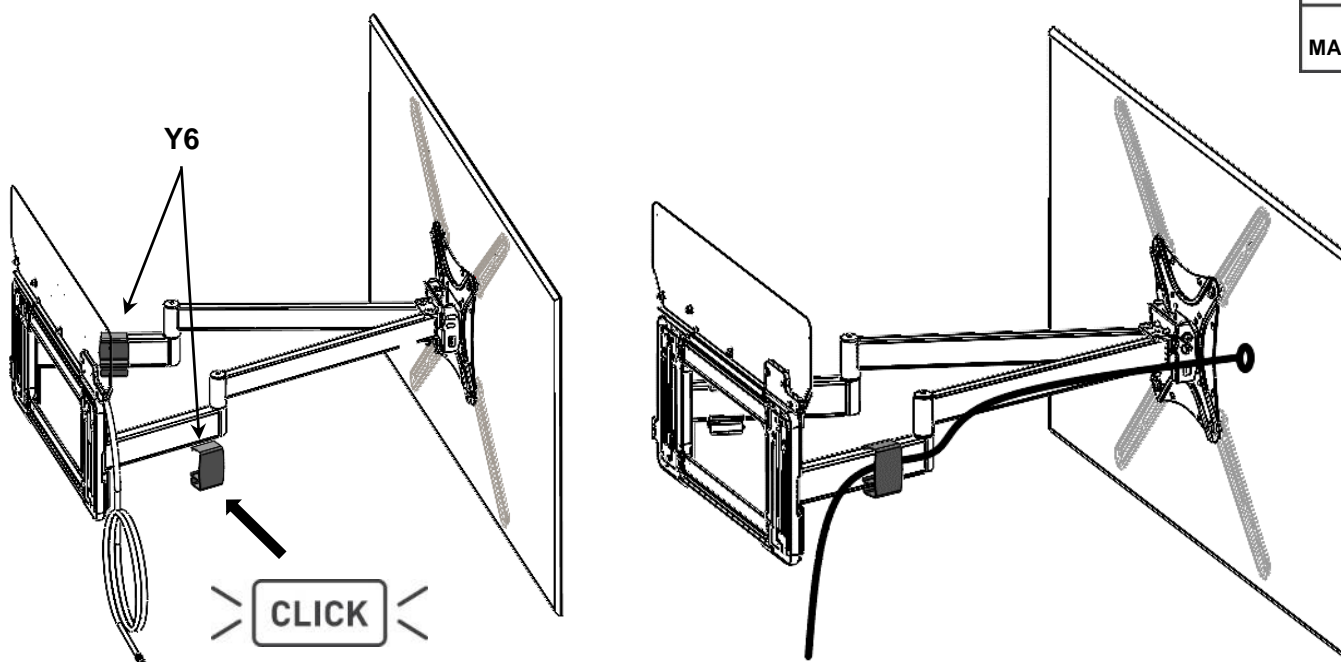
**11** Place the Bracket upright and connect the TV Plate with the TV to the Front Arms



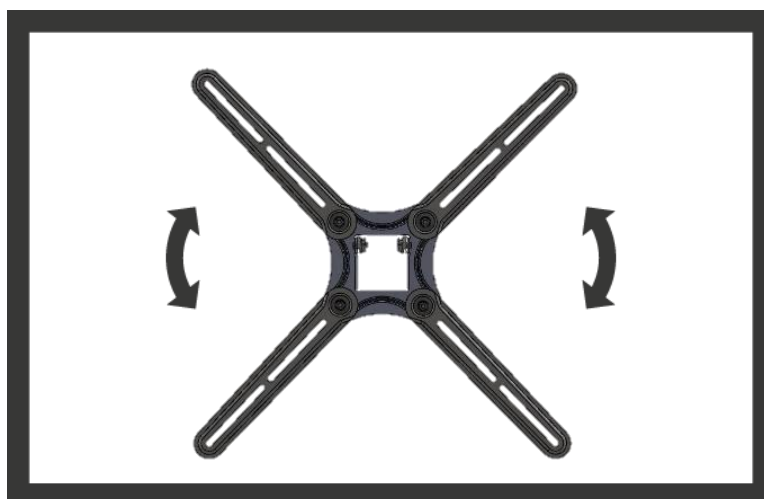
- 12** In order to secure the TV, insert and tighten 2 screws on each side of the mount. Tighten the screws in order to create the necessary friction for the tool free Tilt mechanism.

TOUCH  
& TILTFALL  
PROOF

- 13** Place the TV cables in the Cable Management holders

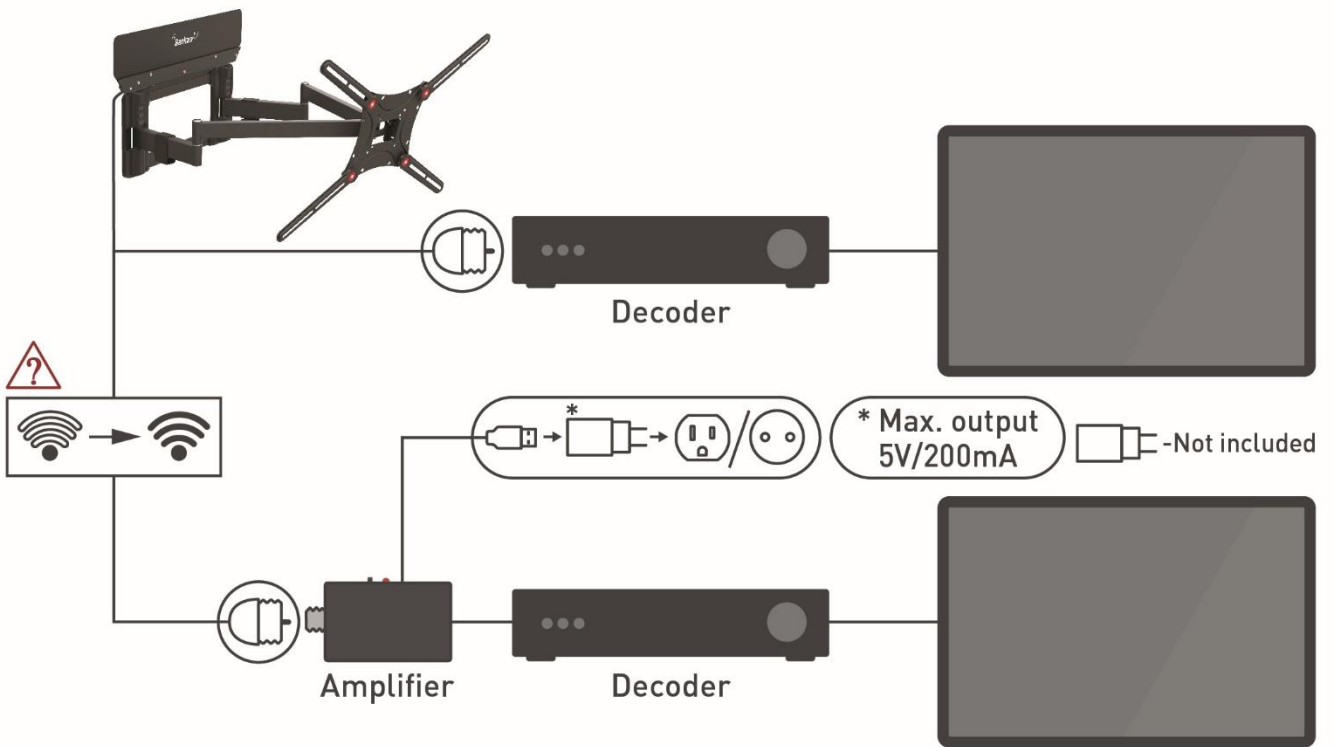
CABLE  
MANAGEMENT

- 14** Level the TV according to your needs

SCREEN  
LEVELING

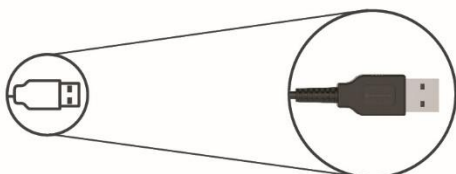
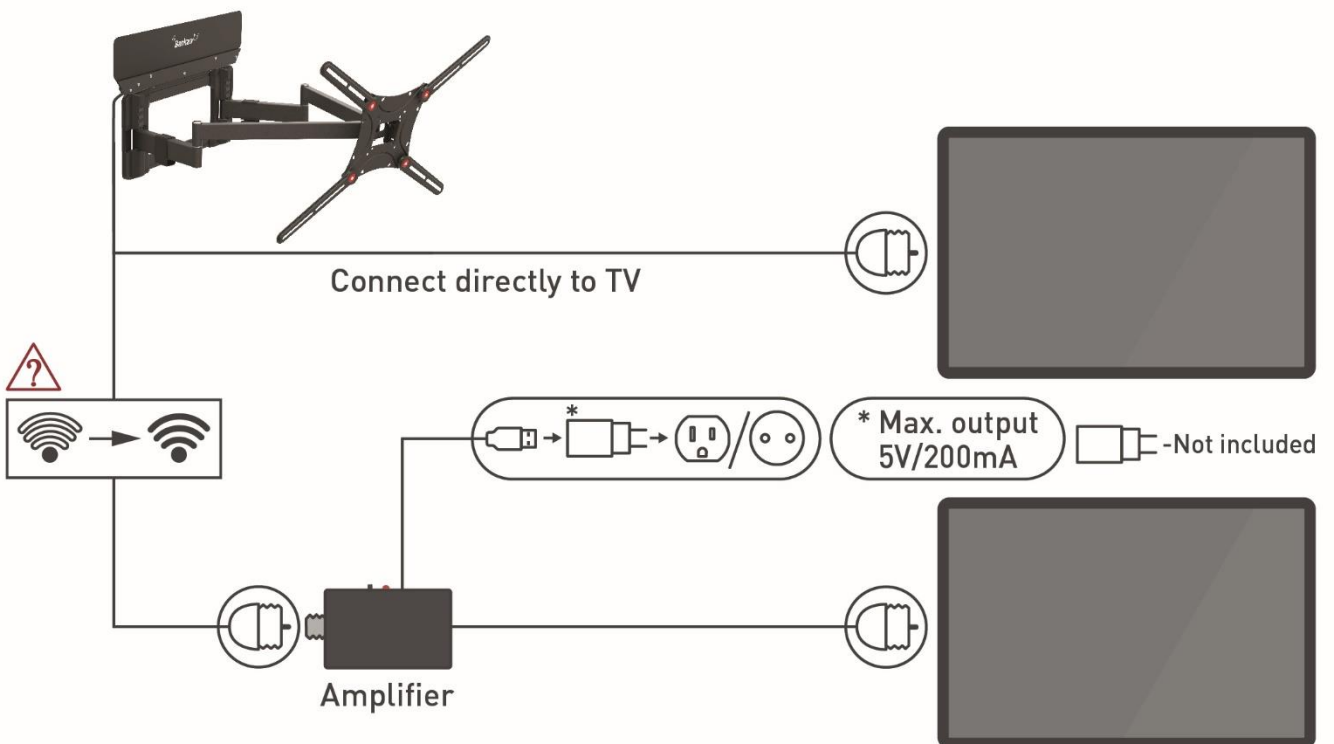
## Regular TV

Antenna Mount

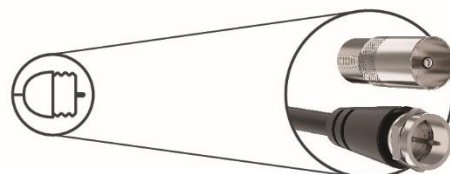


## Smart TV/ TV with ATSC Digital Tuner

Antenna Mount



Powered by USB



American - European adaptor is included

# BACKSCREEN CONNECTION POSITIONING OPTIONS

All TV backscreen connections are in millimeters (Width x Height).

There are a few sizes of TV plates available.

The backscreen connections in position 1 are included in some of the different TV plates, according to their size, and do not require the use of the 4 adapters (marked in blue).

**1** 75x75, 100x100, 100x200, 200x100, 200x200

**2** 200x100, 300x200, 400x200, 600x200

**3** 200x100, 300x200, 300x300, 400x200, 400x300, 600x200, 600x300

**4** 100x100, 200x200, 300x300  
\*Less stable than option 5

**5** 100x100, 200x200, 300x300

**6** 100x200, 200x300

**7** 100x100, 200x200, 300x300, 300x400, 400x400, 600x400

**8** 200x100, 300x200, 400x200, 400x300, 600x400

**If your backscreen connections are not included in any of the positions, please contact us**

[www.barkanmounts.com/support](http://www.barkanmounts.com/support)

Ovaj dokument je originalno proizveden i objavljen od strane proizvođača, brenda Barkan, i preuzet je sa njihove zvanične stranice. S obzirom na ovu činjenicu, Tehnoteka ističe da ne preuzima odgovornost za tačnost, celovitost ili pouzdanost informacija, podataka, mišljenja, saveta ili izjava sadržanih u ovom dokumentu.

Napominjemo da Tehnoteka nema ovlašćenje da izvrši bilo kakve izmene ili dopune na ovom dokumentu, stoga nismo odgovorni za eventualne greške, propuste ili netačnosti koje se mogu naći unutar njega. Tehnoteka ne odgovara za štetu nanесenu korisnicima pri upotrebi netačnih podataka. Ukoliko imate dodatna pitanja o proizvodu, ljubazno vas molimo da kontaktirate direktno proizvođača kako biste dobili sve detaljne informacije.

Za najnovije informacije o ceni, dostupnim akcijama i tehničkim karakteristikama proizvoda koji se pominje u ovom dokumentu, molimo posetite našu stranicu klikom na sledeći link:

<https://tehnoteka.rs/p/zidni-nosac-za-tv-barkan-lcd-vtm464l-akcija-cena/>