

Uputstvo za montažu i instalaciju (EN)

Zidni nosač za TV BARKAN LCD ND300.B

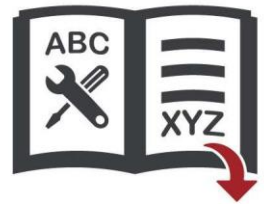
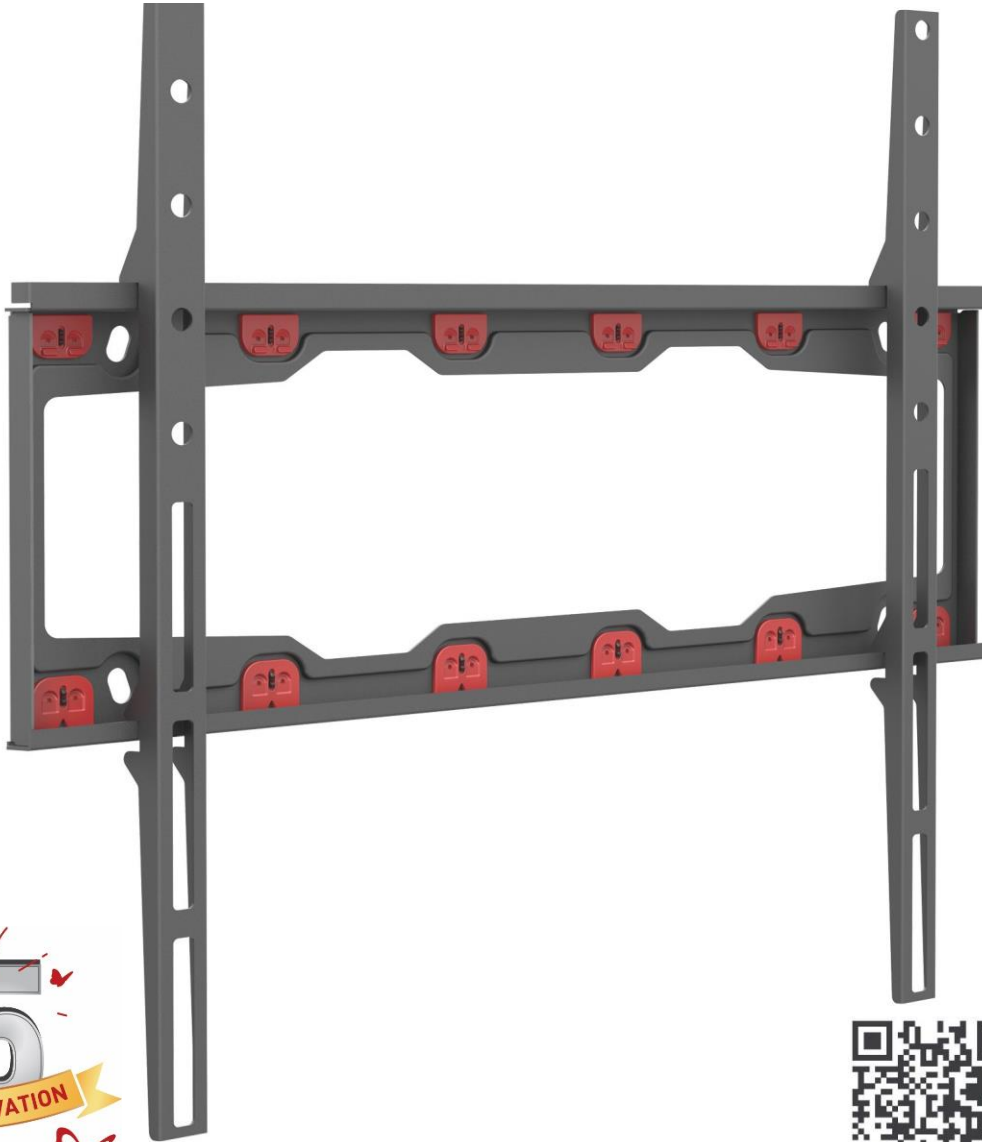


Tehnoteka je online destinacija za upoređivanje cena i karakteristika bele tehnike, potrošačke elektronike i IT uređaja kod trgovinskih lanaca i internet prodavnica u Srbiji. Naša stranica vam omogućava da istražite najnovije informacije, detaljne karakteristike i konkurentne cene proizvoda.

Posetite nas i uživajte u ekskluzivnom iskustvu pametne kupovine klikom na link:

<https://tehnoteka.rs/p/zidni-nosac-za-tv-barkan-lcd-nd300b-akcija-cena/>

Drywall No-Drill TV Wall Mount
Fixed



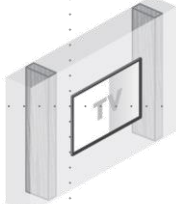
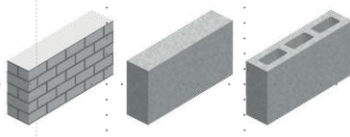
Download assembly instructions with text

For more information: barkanmounts.com

If you are satisfied with the product, please give us a 5 stars ☆☆☆☆☆ rating on the website you bought it from. If you are not satisfied please contact us at <https://www.barkanmounts.com/support> and we will solve the problem for you.

TV Size ↗
13"-65"
↖ 33cm-165cm



<input checked="" type="checkbox"/> Drywall/ gypsum/ plaster 0.5"/ 1.3cm and up	<input checked="" type="checkbox"/> Concrete blocks/ concrete wall*
	
* Additional hardware needed	

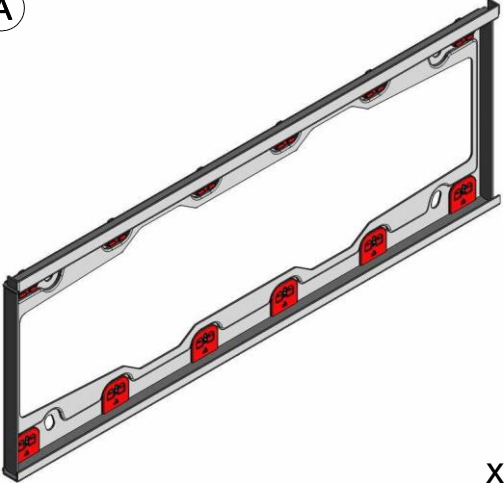
TV Weight

US	Max	EU
80lbs		36kg



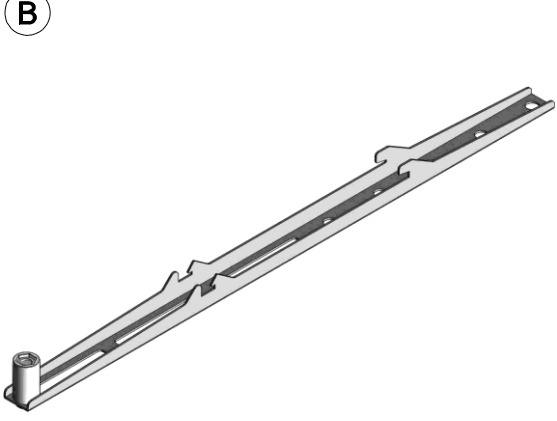
Safety instructions and installation warnings (provided separately) must be read in full, prior to assembly.

A

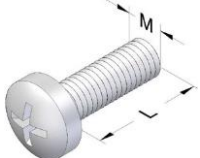


x1

B




x2




#	M	L "/ mm	=
Z1	M6	0.63"/16	x4
Z2	M6	1" / 25	x4
Z3	M4	0.79"/20	x4
Z5	M8	1" / 25	x4
Z6	M8	1.77"/45	x4

Z4



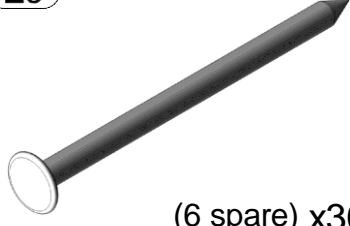
x6

Z7



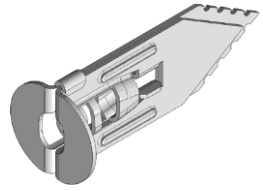
x8

Z8




(6 spare) x30

Z9



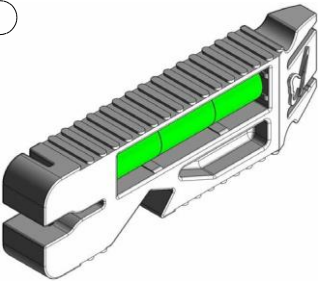
(1 spare) x3

Z10



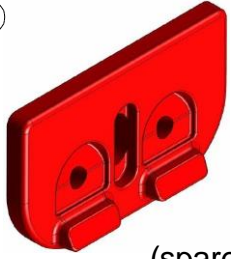
x2

Y1



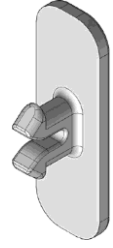
x1

Y2



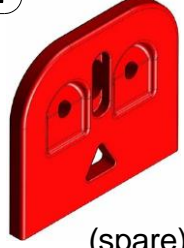
(spare) x2

Y3




(spare) x4

Y4

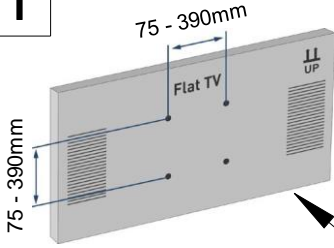


(spare) x2

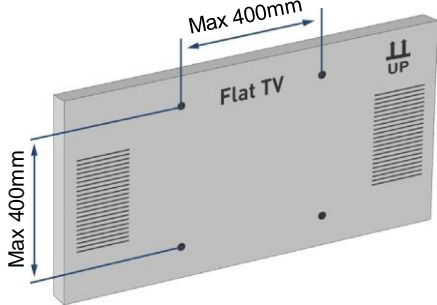
TOOLS REQUIRED




1 Follow the steps according to your TV VESA (4 connection on the back of the screen)




75 - 390mm
Flat TV

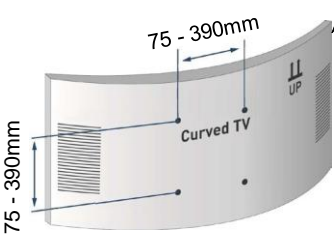


Max 400mm
Curved TV

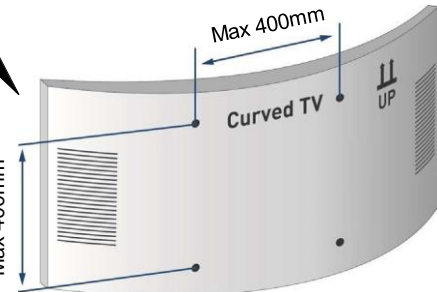


2






75 - 390mm
Curved TV

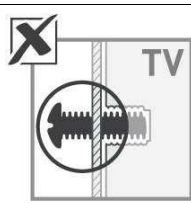


Max 400mm
Curved TV

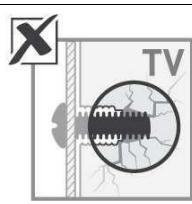
1A



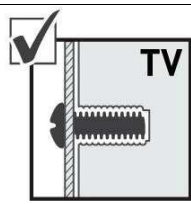
X



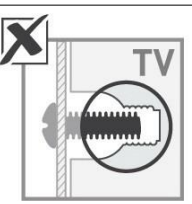
X



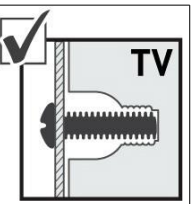
✓



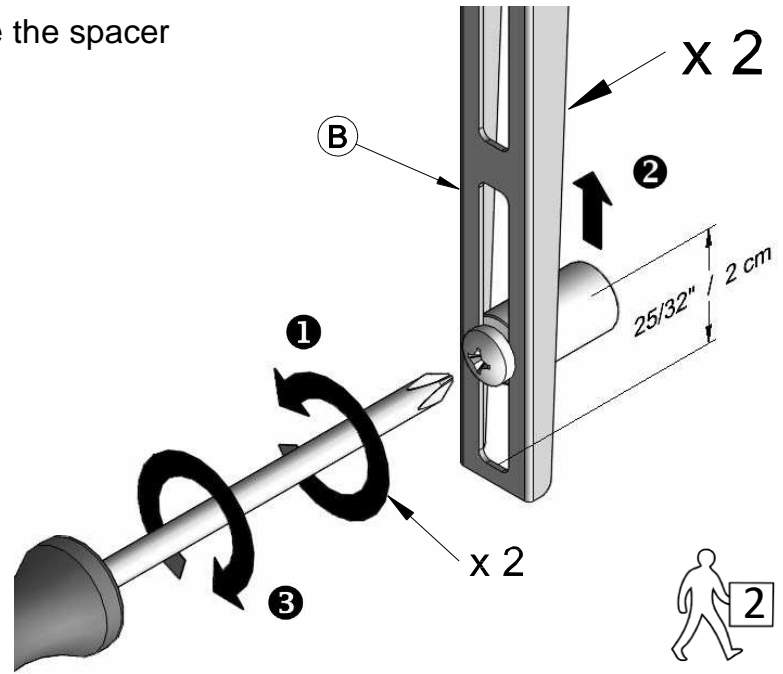
X



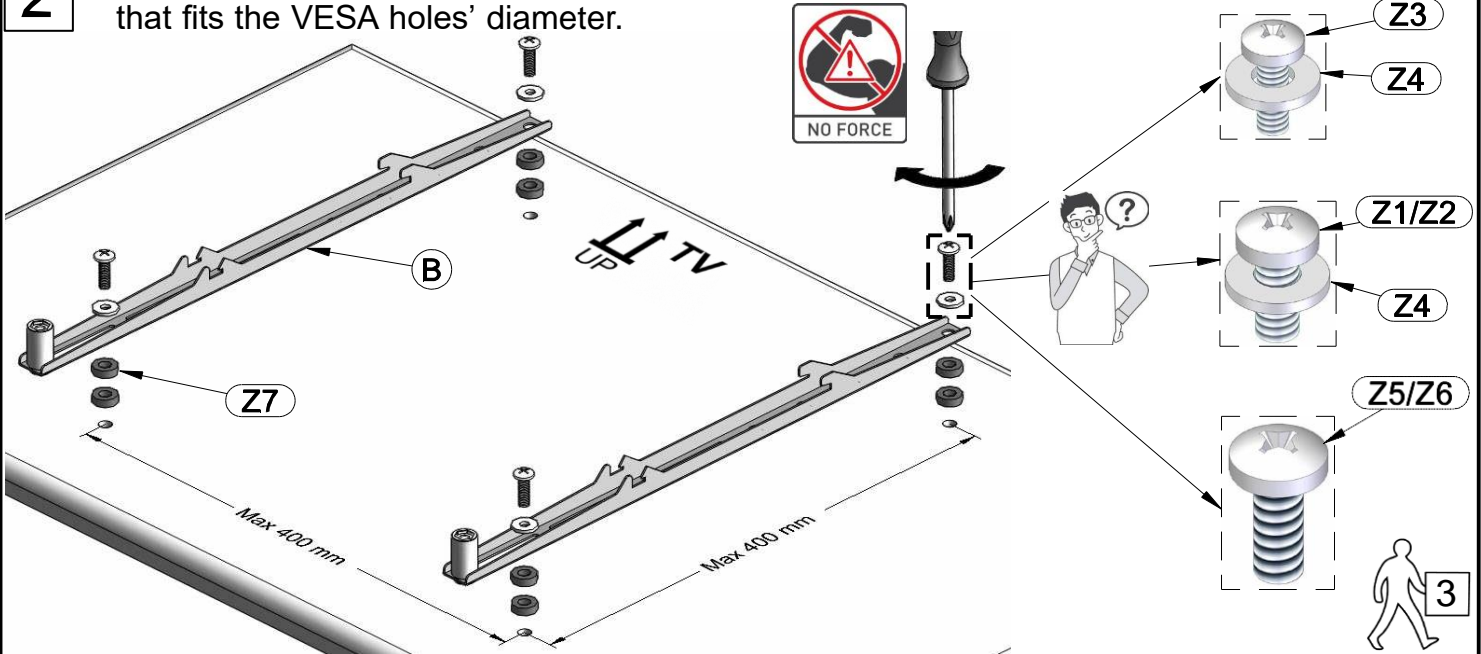
✓



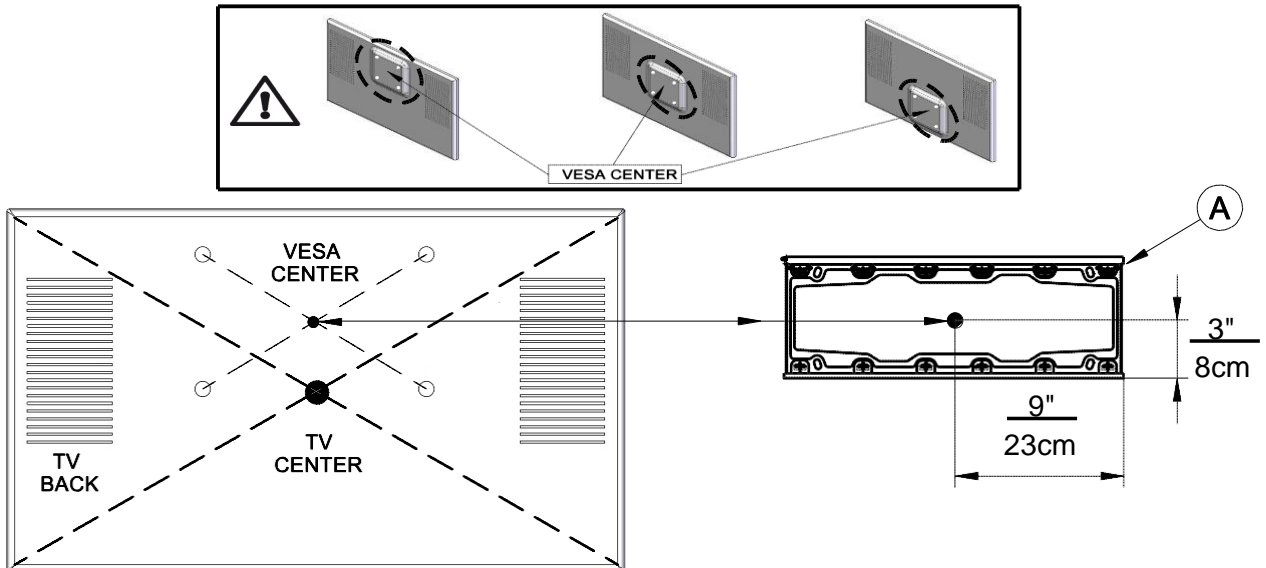
1A For VESA pattern 400X400mm, move the spacer attached to part B upward as shown.



2 Connect parts B to the back of TV, while parts Z7 are below part B. Choose the screw that fits the VESA holes' diameter.



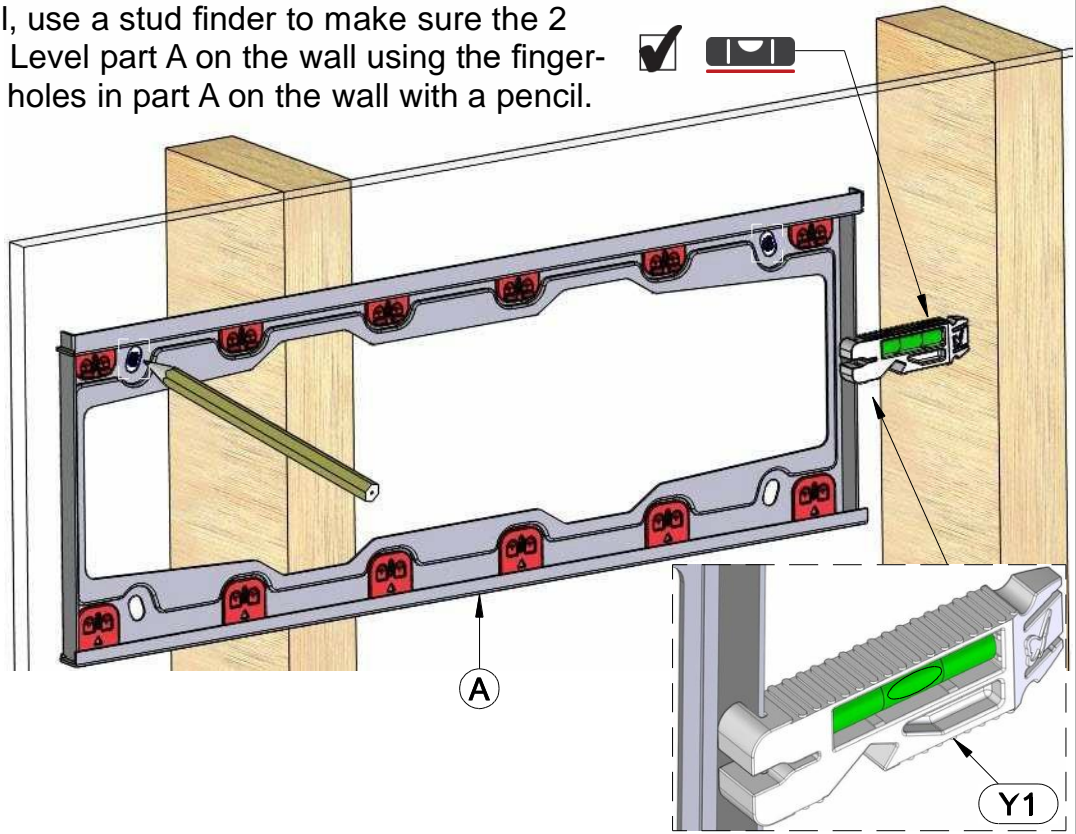
3 Notice: the VESA pattern might NOT be the screen center. The center of part A will be located on the center of the VESA pattern. Consider the vertical distance between the center of the VESA pattern and the center of the TV.



4 Place part A on the wall, use a stud finder to make sure the 2 holes are not on studs. Level part A on the wall using the finger-saving tool. Mark the 2 holes in part A on the wall with a pencil.



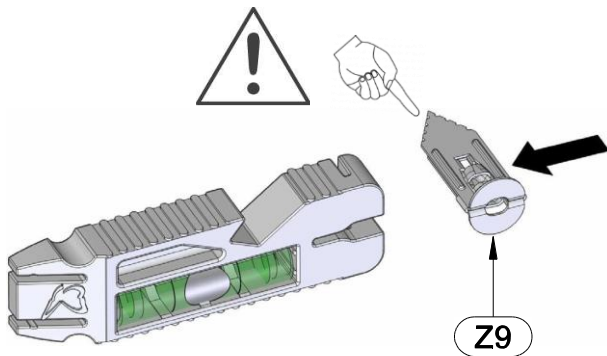
Z9



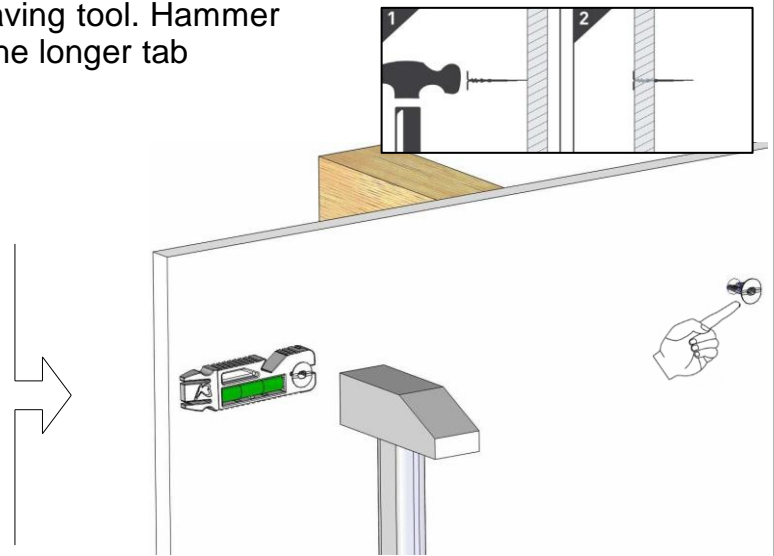
A

Y1

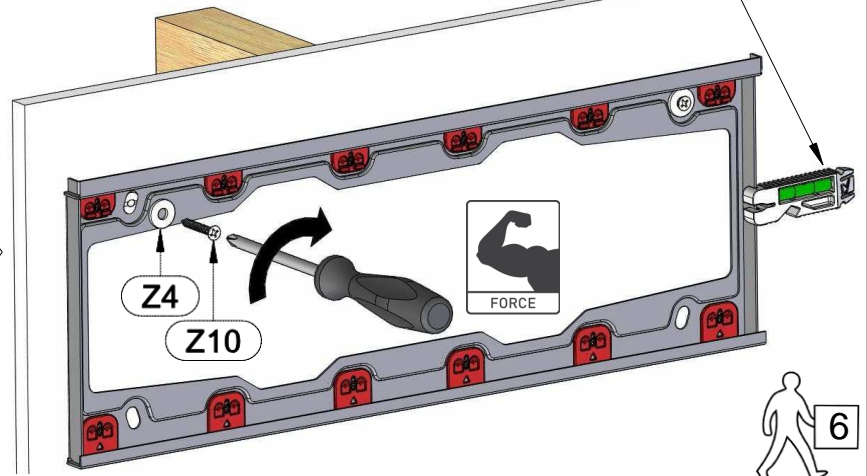
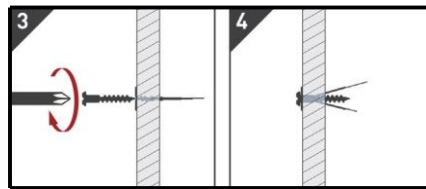
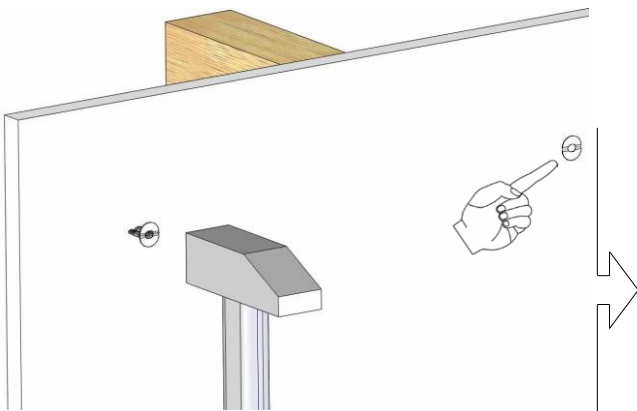
5 Place the arrow anchors Z9 in the finger-saving tool. Hammer the anchor into the wall. Please note that the longer tab of the anchor is facing up.



Z9



Assemble the wall plate to the wall with the screw and washer.



Z4

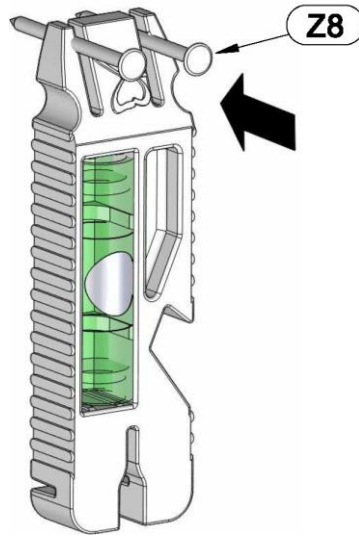
Z10



6

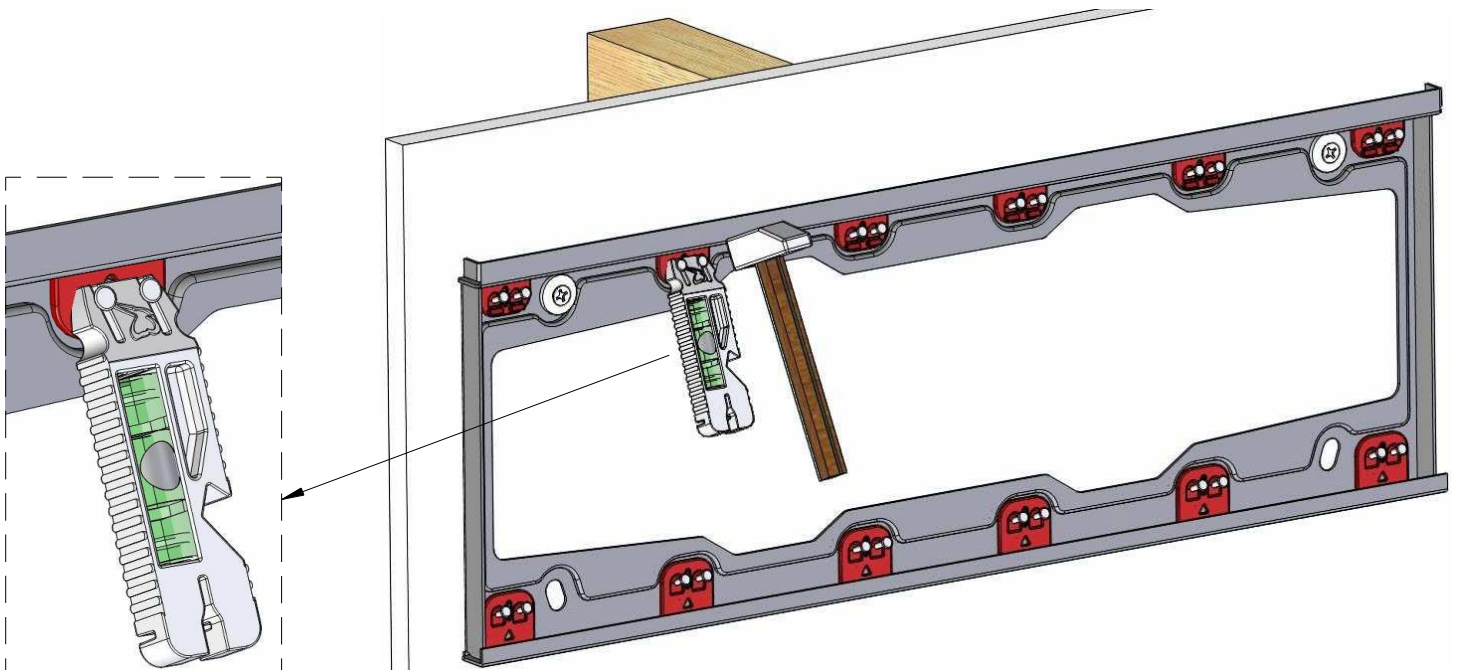
6

Place the nails parts Z8 in the finger-saving tool.



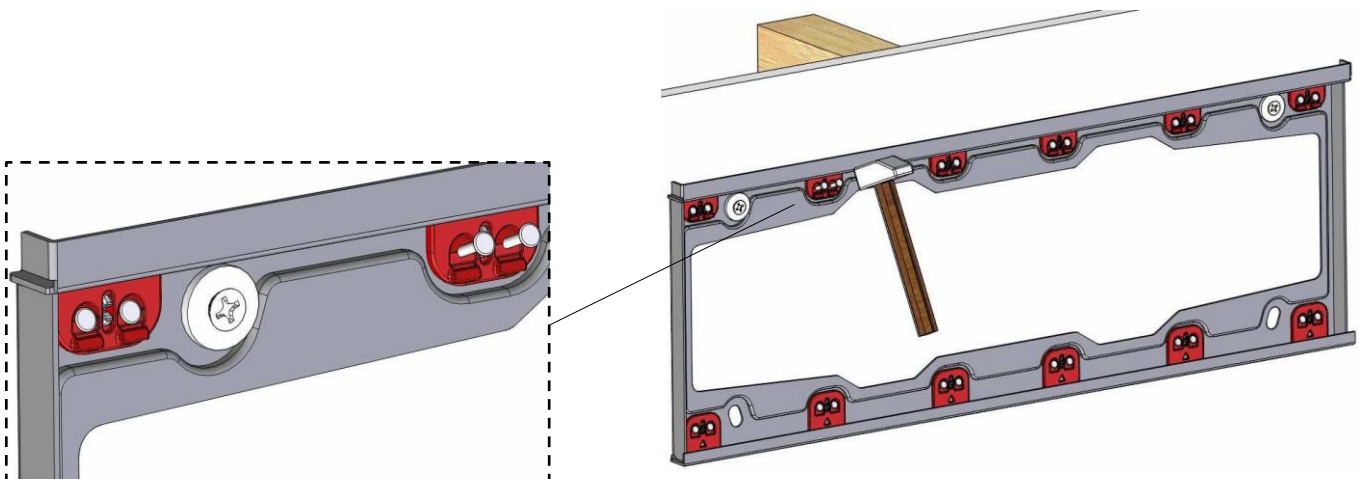
7

Hammer the nails to the wall through the holes in part A.



8

Make sure the nails are hammered all the way to the wall. It's OK if some nails hit the studs and will not go in all the way.



9 **TEST!**

80lbs / 36kg

10

FALL PROOF

TV

CLICK

11 **TEST!**

Test the locking mechanism gently.

NO FORCE

12 To move the screen sideways, lift the screen slightly and slide it to the wanted side.

LATERAL ADJUSTMENT

FINISH

DISCONNECT

In order to disconnect, lift the TV up and then pull its bottom away from the wall.

Ovaj dokument je originalno proizveden i objavljen od strane proizvođača, brenda Barkan, i preuzet je sa njihove zvanične stranice. S obzirom na ovu činjenicu, Tehnoteka ističe da ne preuzima odgovornost za tačnost, celovitost ili pouzdanost informacija, podataka, mišljenja, saveta ili izjava sadržanih u ovom dokumentu.

Napominjemo da Tehnoteka nema ovlašćenje da izvrši bilo kakve izmene ili dopune na ovom dokumentu, stoga nismo odgovorni za eventualne greške, propuste ili netačnosti koje se mogu naći unutar njega. Tehnoteka ne odgovara za štetu nanесenu korisnicima pri upotrebi netačnih podataka. Ukoliko imate dodatna pitanja o proizvodu, ljubazno vas molimo da kontaktirate direktno proizvođača kako biste dobili sve detaljne informacije.

Za najnovije informacije o ceni, dostupnim akcijama i tehničkim karakteristikama proizvoda koji se pominje u ovom dokumentu, molimo posetite našu stranicu klikom na sledeći link:

<https://tehnoteka.rs/p/zidni-nosac-za-tv-barkan-lcd-nd300b-akcija-cena/>