

## Uputstvo za montažu i instalaciju (EN)

Zidni nosač za TV BARKAN LCD 3400L.B

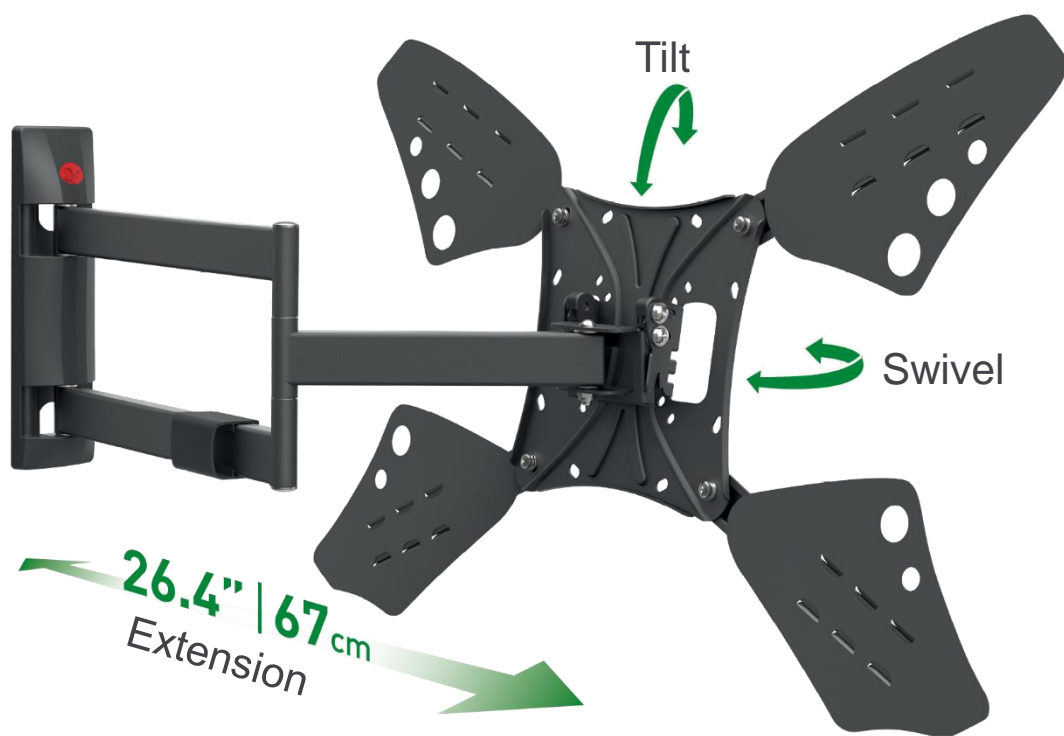


Tehnoteka je online destinacija za upoređivanje cena i karakteristika bele tehnike, potrošačke elektronike i IT uređaja kod trgovinskih lanaca i internet prodavnica u Srbiji. Naša stranica vam omogućava da istražite najnovije informacije, detaljne karakteristike i konkurentne cene proizvoda.

Posetite nas i uživajte u ekskluzivnom iskustvu pametne kupovine klikom na link:

<https://tehnoteka.rs/p/zidni-nosac-za-tv-barkan-lcd-3400lb-akcija-cena/>

## Long TV Wall Mount



**Black**

**Black & White**



Download Assembly Instructions with Text

For more information: [barkanmounts.com](http://barkanmounts.com)

If you are satisfied with the product, please give us a 5 stars ★★★★★ rating on the website you bought it from. If you are not satisfied please contact us at <https://www.barkanmounts.com/support> and we will solve the problem for you.

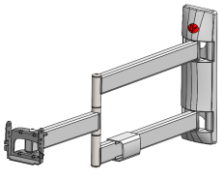

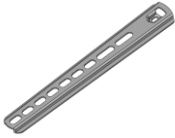

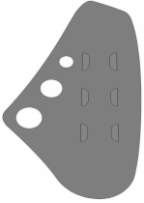
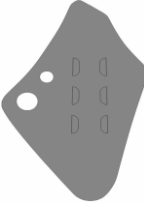






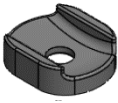

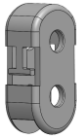
**TV Size**  
13"-83"  
33cm-211cm

**TV Weight**  
US <sup>Max</sup> EU  
110lbs | 50kg



**Safety instructions and installation warnings (provided separately) must be read in full, prior to assembly.**

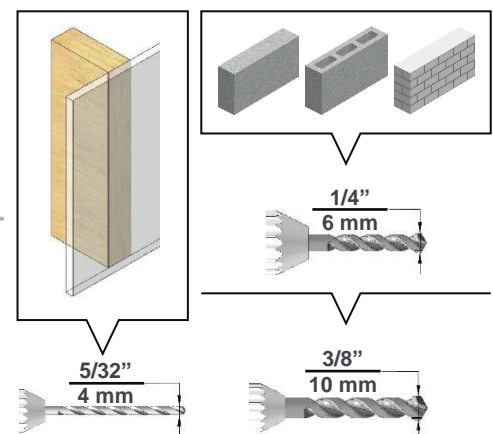
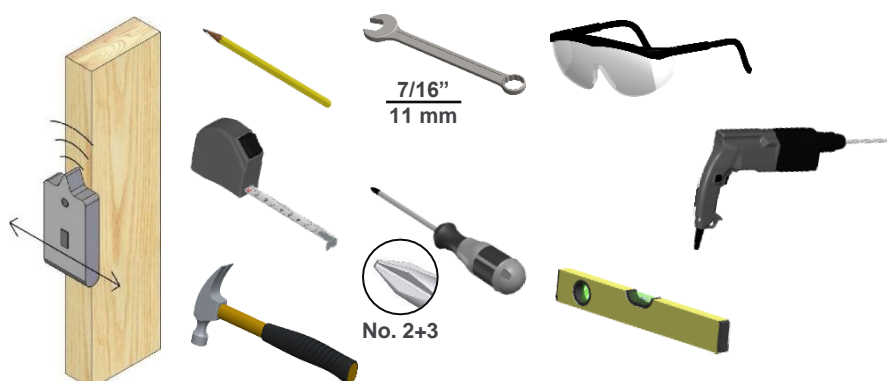
# Included Parts not to scale

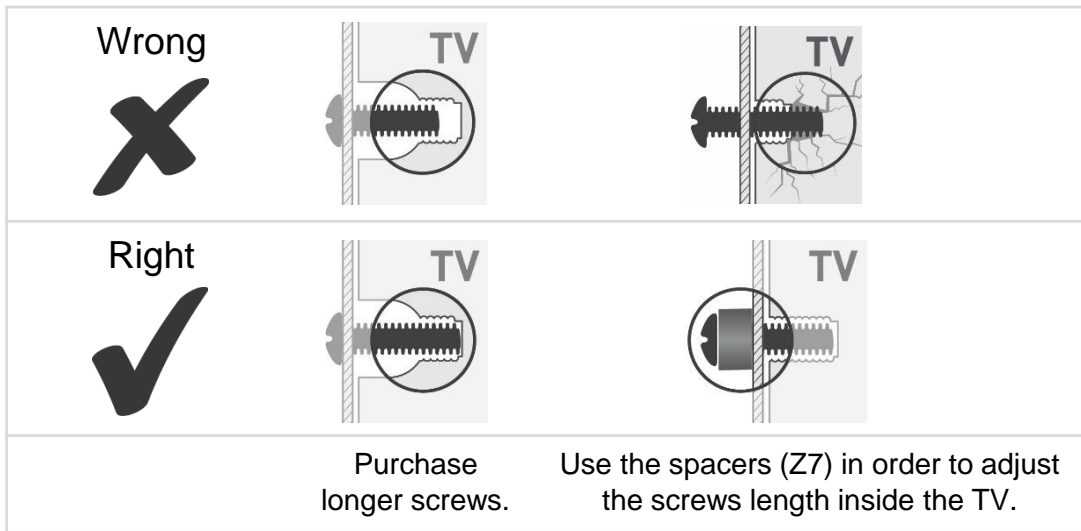
<b>A Bracket</b>  x1	<b>B TV Plate</b>  x1	<b>C Adaptor</b>  x4
<b>D Drilling Template</b>  x1	<b>E</b>  x2	<b>F</b>  x2
<b>Z6</b>  8x	<b>Z7</b>  x4	<b>Z8</b>  x4
<b>W1</b>  x4	<b>W2</b>  x4	<b>W3</b>  x4
<b>P1</b>  x4	<b>P2</b>  x2	<b>P3</b>  x2



#	M	L mm	L inch	pcs
Z1	4	20	3/4	4
Z2	6	16	5/8	4
Z3	6	25	1	4
Z4	8	25	1	4
Z5	8	45	1 3/4	4

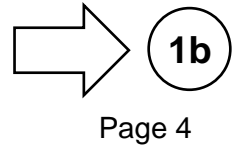
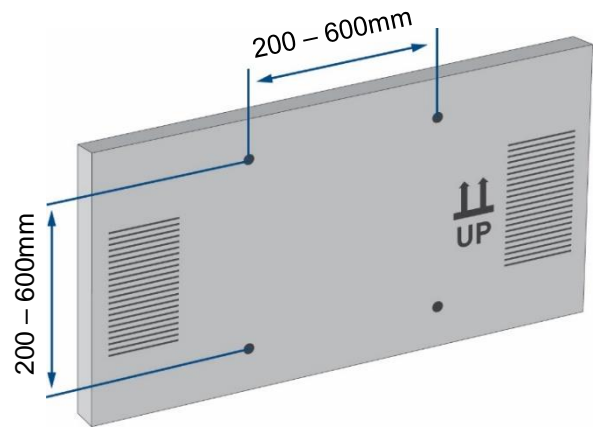
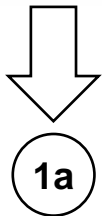
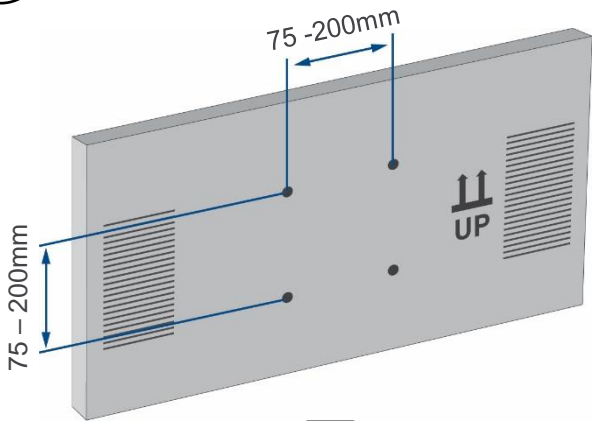
## Required Tools





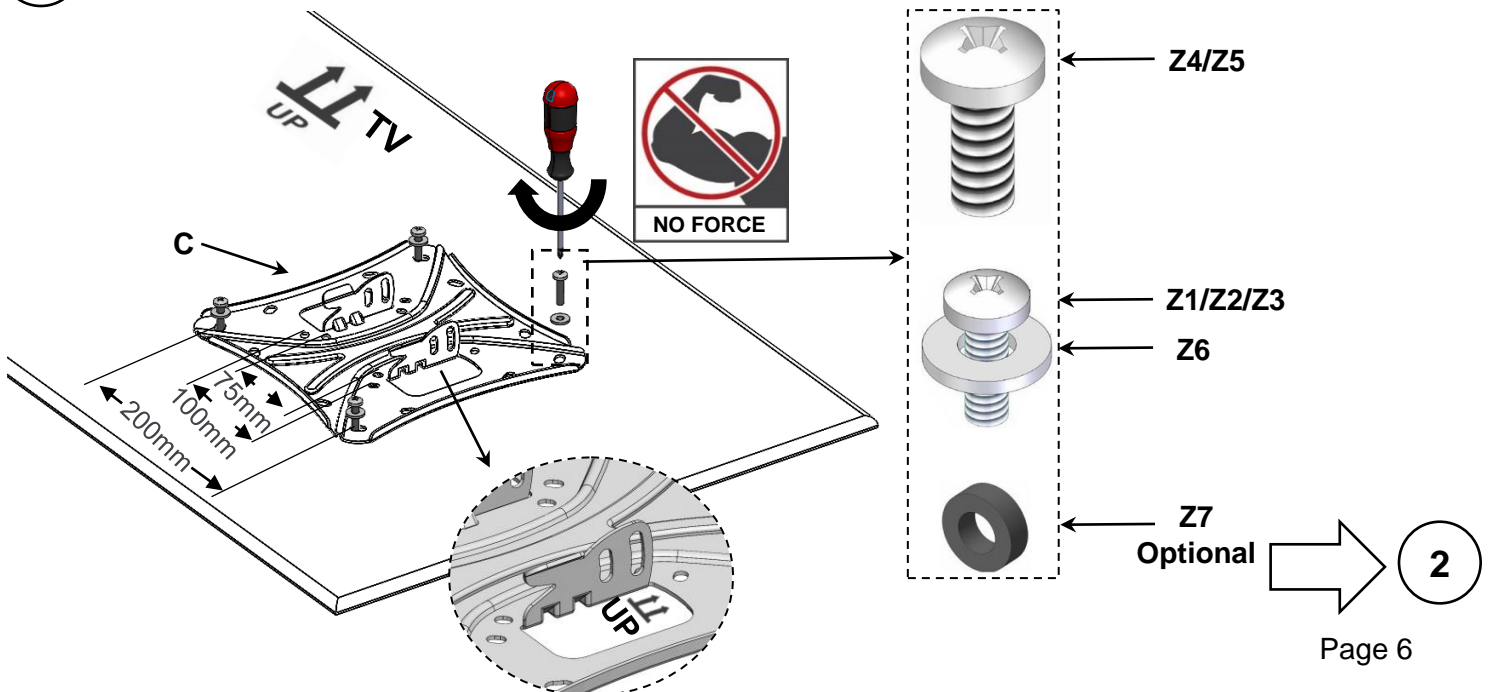
1

Continue according to your TV mounting hole pattern.



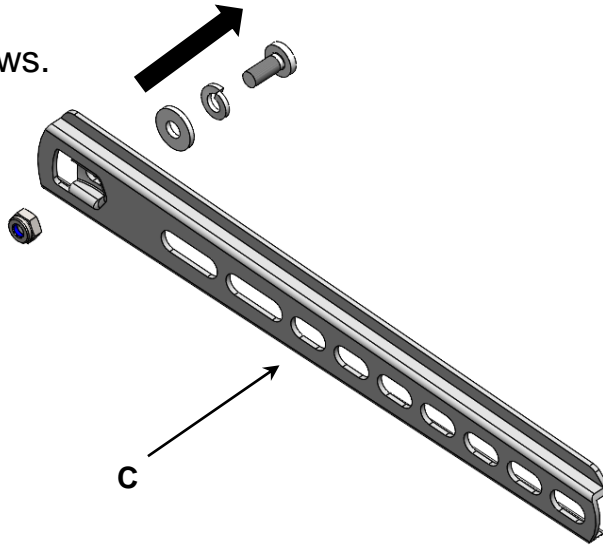
1a

75x75 mm up to 200X200 mm (inclusive) hole pattern.



**1b) Hole pattern above 200x200 mm up to 600x400 mm:**

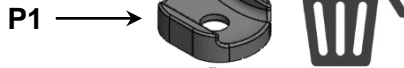
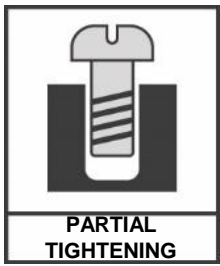
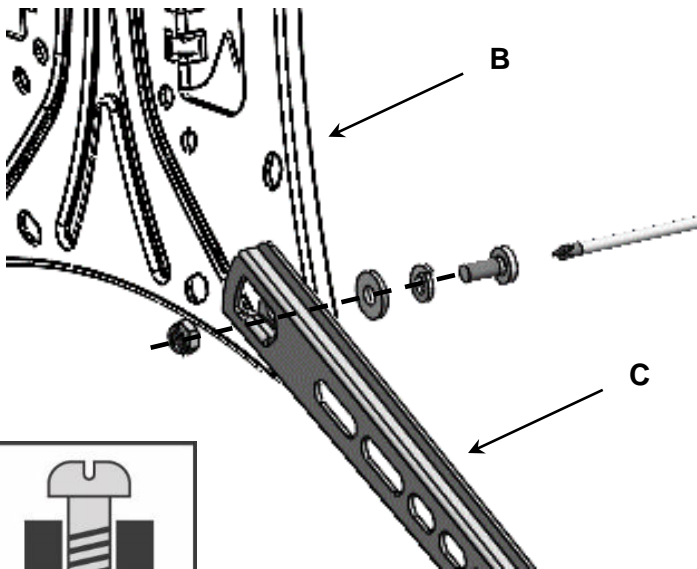
① Disassemble the screws.



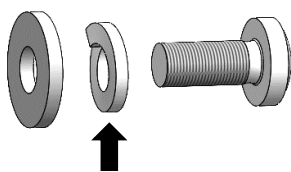
② connect the 4 adaptors to the TV plate, and reassemble the screws.

**Flat screen**

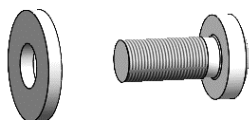
Flat TV



Right

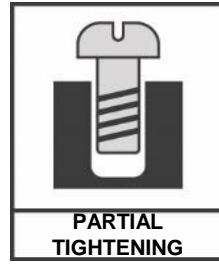
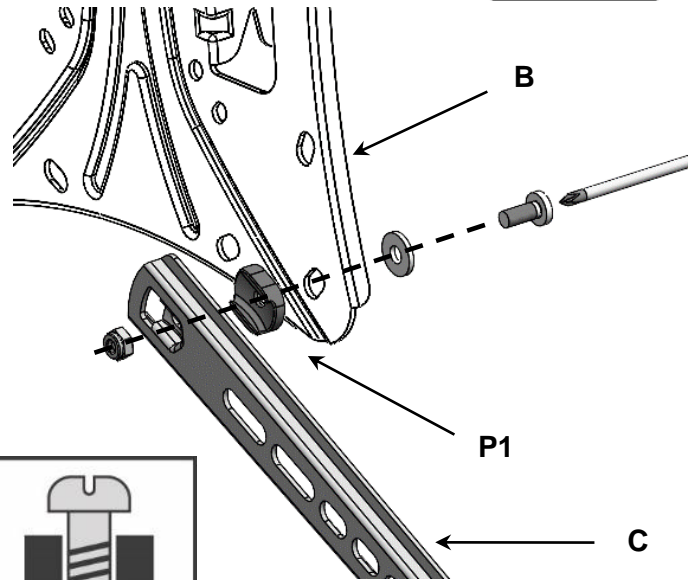


Wrong

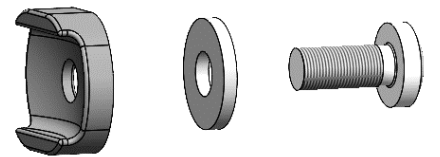


**Curved screen**

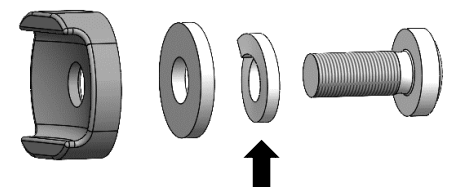
Curved TV



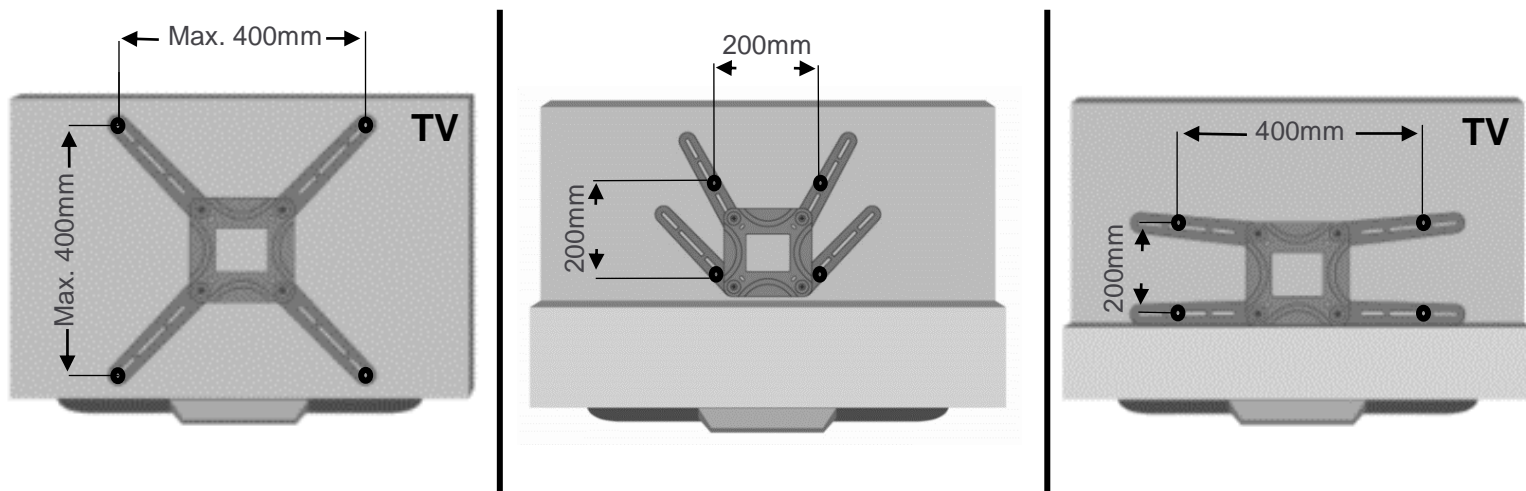
Right



Wrong

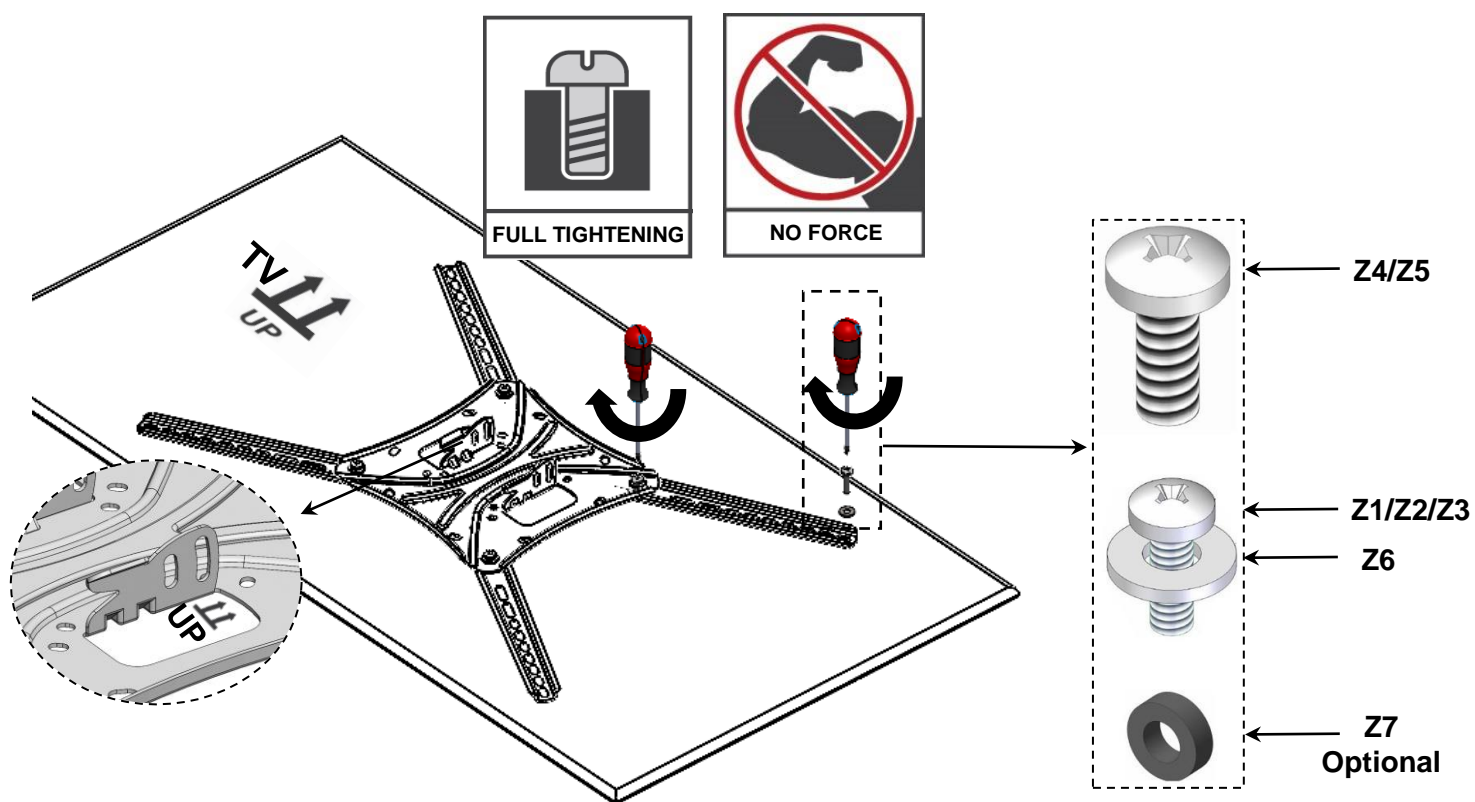


Position the Adaptors according to your TV's hole pattern.



For more positioning options turn to page 11

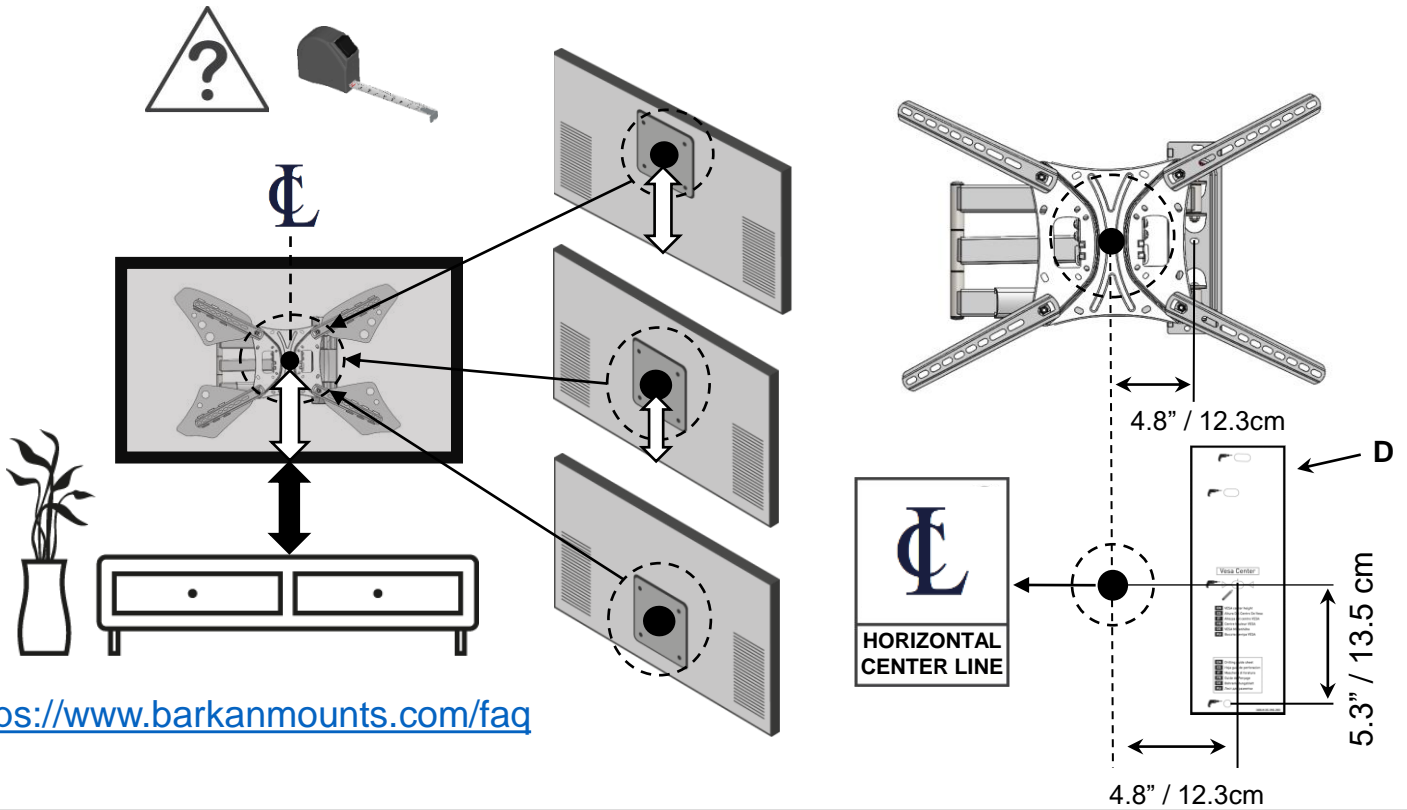
Connect the TV Plate with the Adaptors to the TV in all 4 connection holes.



## Install the Bracket on the Wall.

2

Measure the distance between the location of the TV's mounting holes' center and the bottom of the TV, in order to set the required height of the TV.



<https://www.barkanmounts.com/faq>

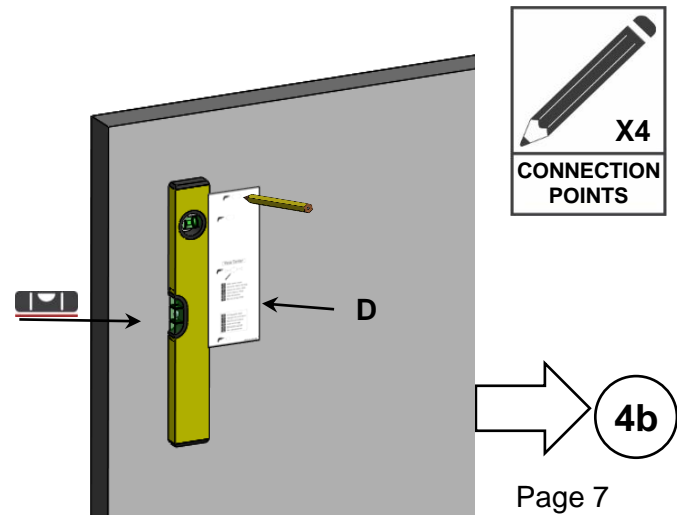
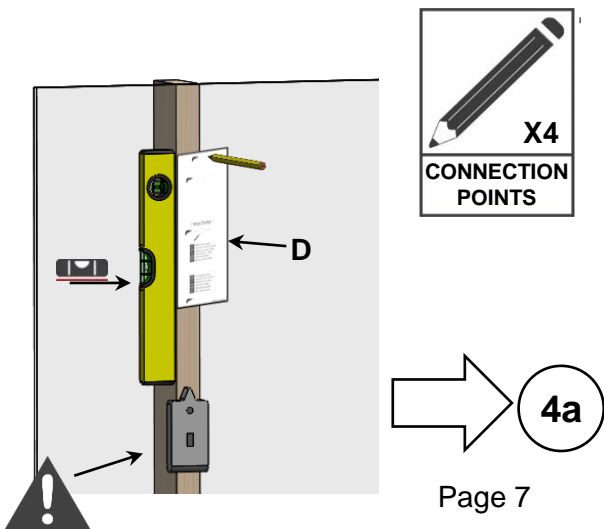
Follow the steps according to your wall type.

3

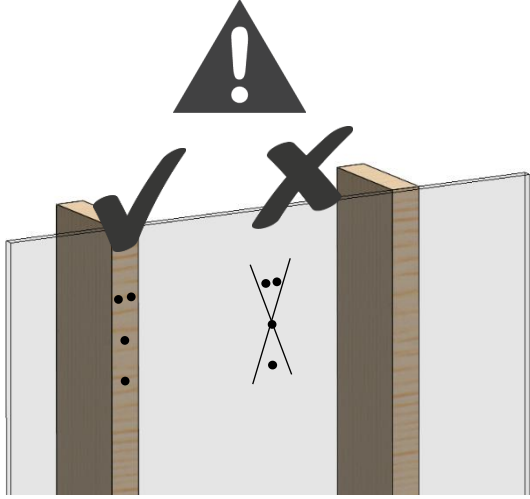


4

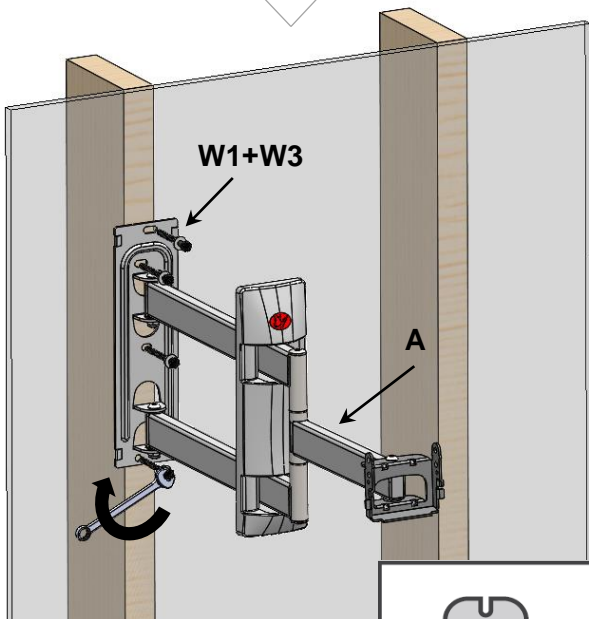
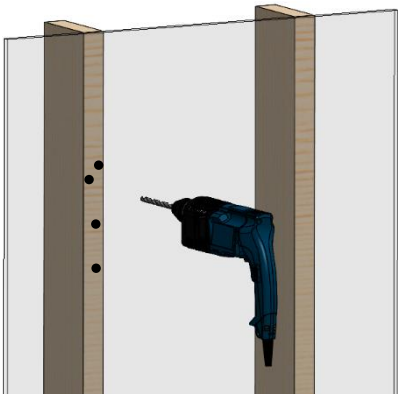
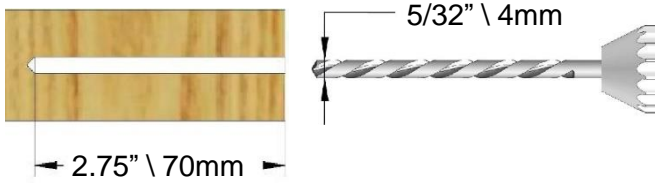
Mark the holes on the wall according to the required height.



**4a** Make sure all holes are drilled inside the studs.



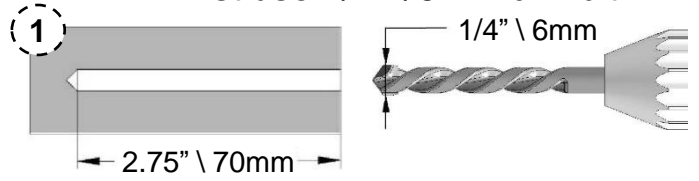
Drill with 5/32" \ 4mm drill bit.



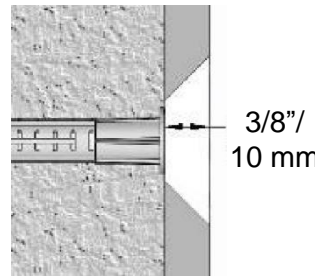
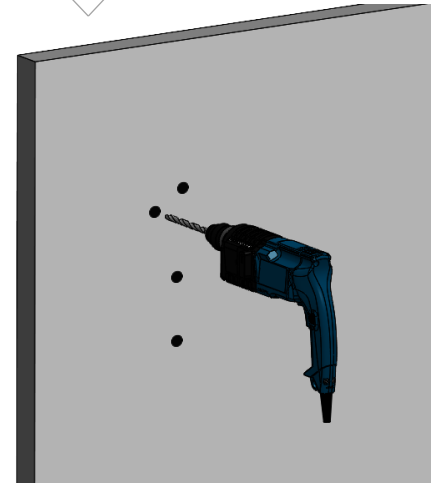
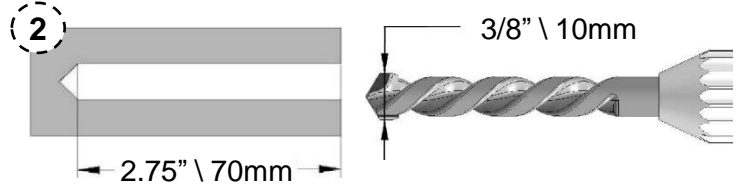
7/16" \ 11mm



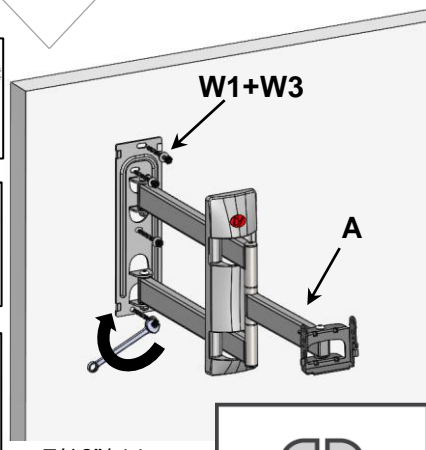
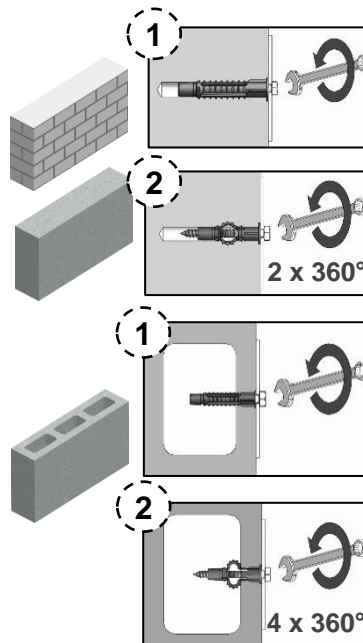
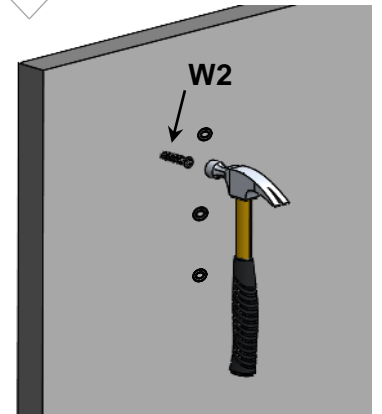
**4b** First use 1/4" \ 6mm drill bit.



Afterwards use 3/8" \ 10mm drill bit.



The anchor must be sunk at least 3/8"/10 mm into the plaster coating.



7/16" \ 11mm

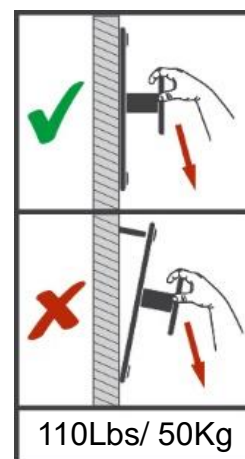
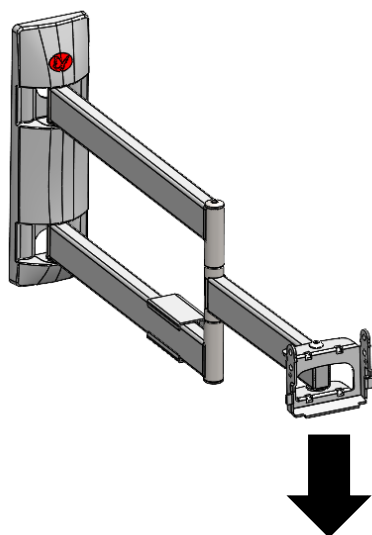




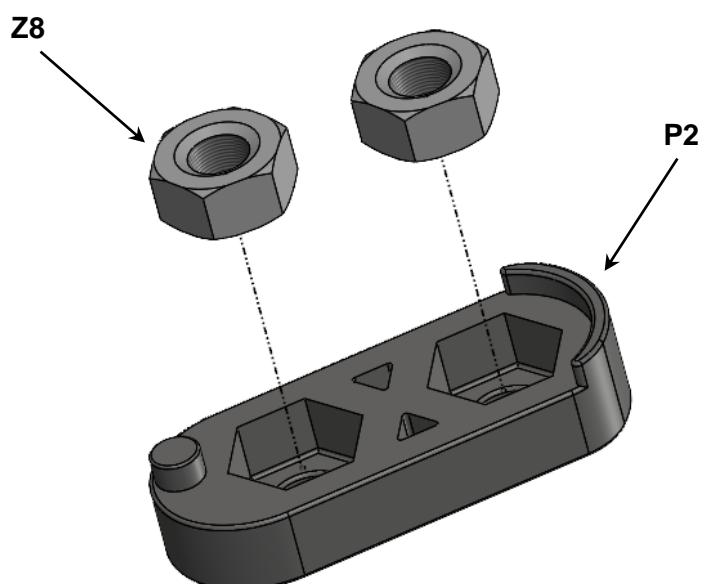
5

**Weight test**

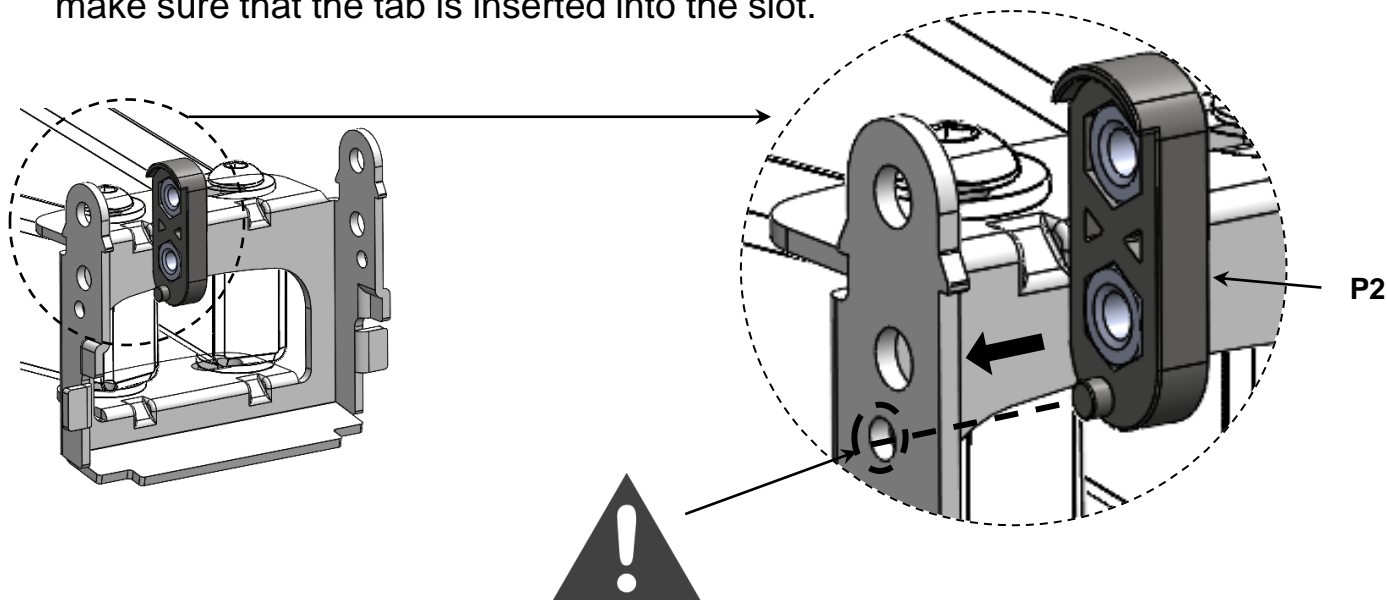
Apply force on the upper part of the Bracket and make sure it is well connected.



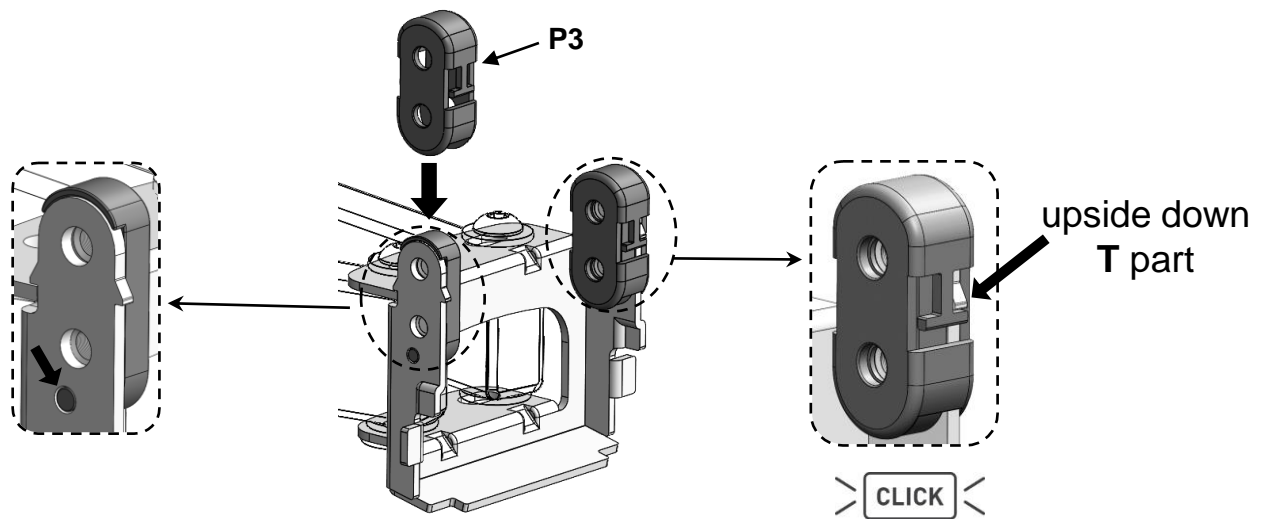
6 Place two nuts (Z8) in the nut-housing (P2).



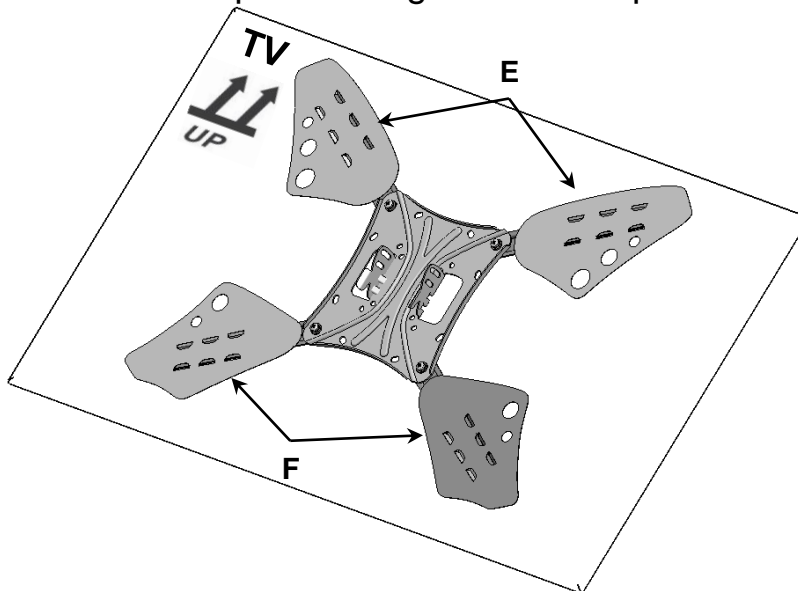
7 Assemble the nut-housing (P2) make sure that the tab is inserted into the slot.



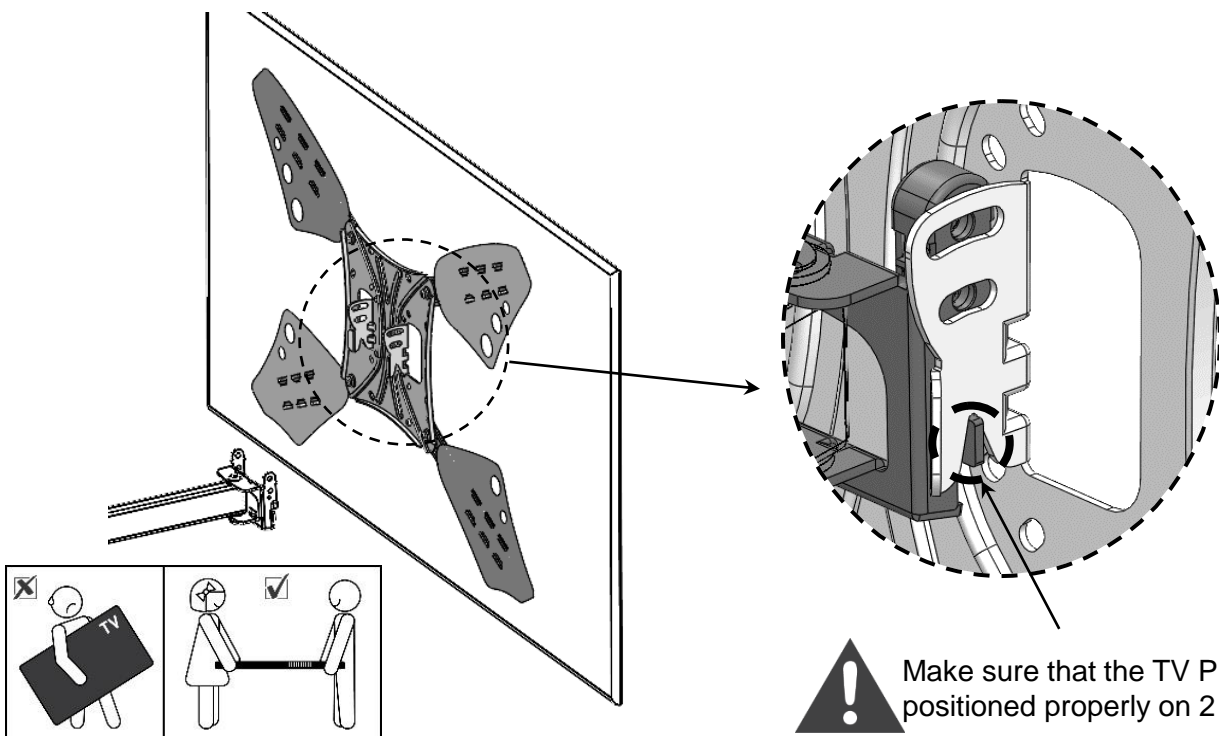
- 8** Assemble part (P3) on the nut-housings (P2). push P3 down until the small part that looks like an upside down "T" passes the highlighted tooth.



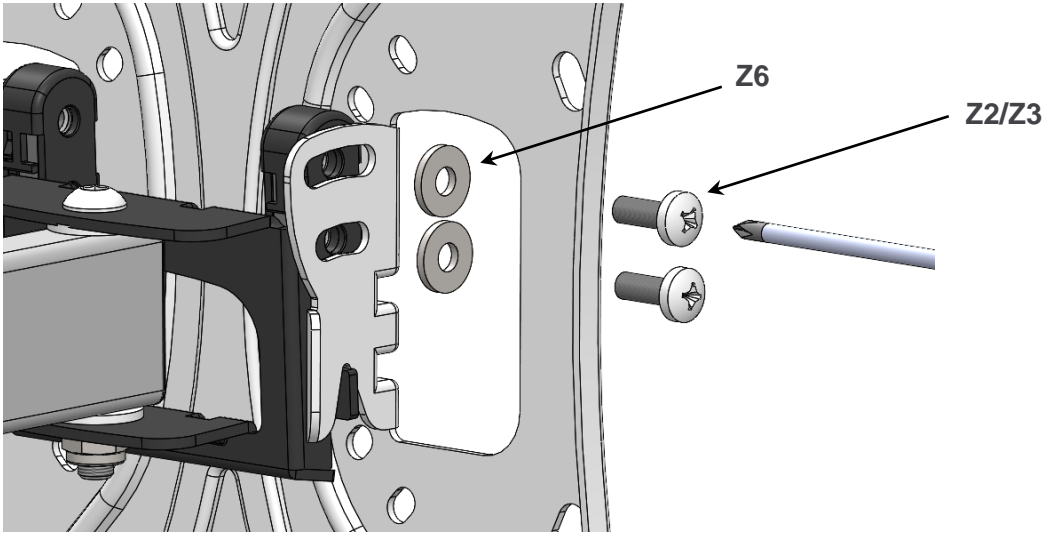
- 9** Place the decorative plastic wings on the adaptors



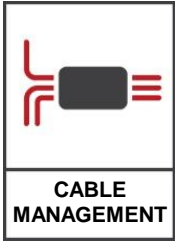
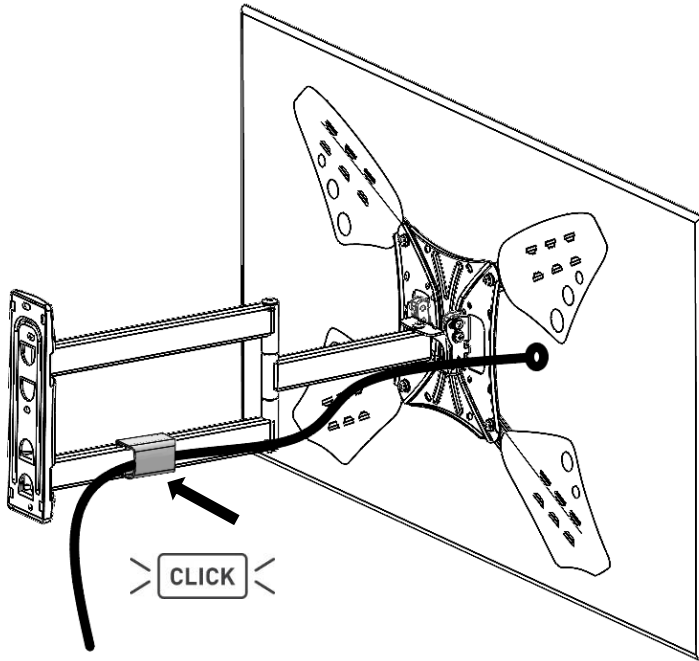
- 10** Connect the TV with the TV Plate to the Bracket.



**11** Insert and tighten the screws from both sides to create friction for the tilt mechanism. Adjust the TV tilt angle carefully.



**12** Place the TV cables in the Cable Management.

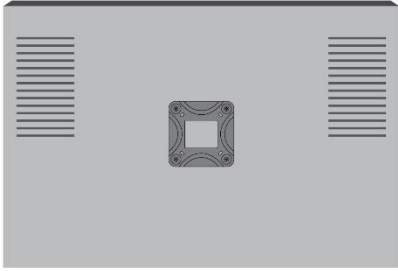


**13** Level the TV.

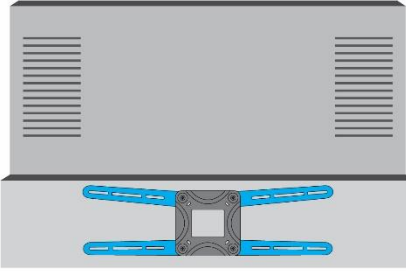


# BACKSCREEN CONNECTION POSITIONING OPTIONS

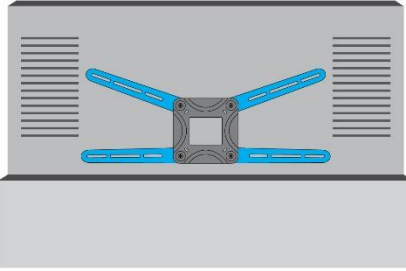
**1** 75x75, 100x100,  
100x200, 200x100, 200x200



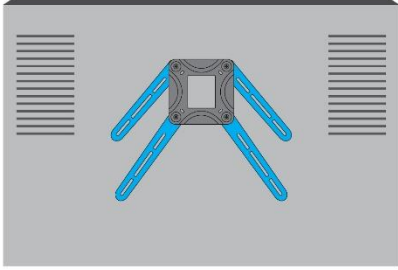
**2** 300x200,  
400x200, 600x200



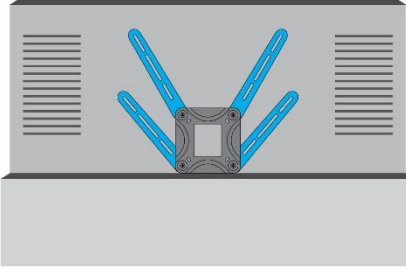
**3** 200x100, 300x300,  
400x300, 600x200, 600x300



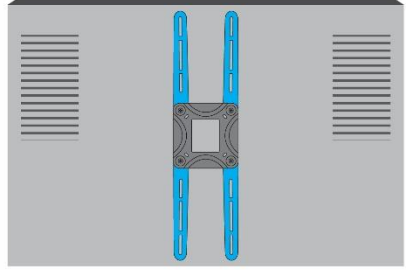
**4** 300x300



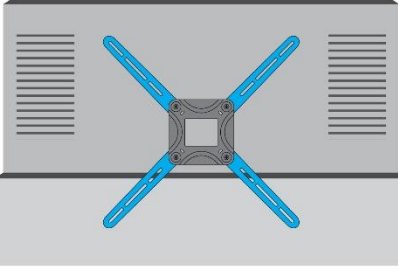
**5** 300x300



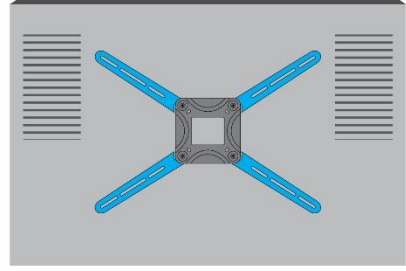
**6** 200x300



**7** 300x300,  
300x400, 400x400, 600x400



**8** 400x300, 600x400



[www.barkanmounts.com/FAQ](http://www.barkanmounts.com/FAQ)

VEESA-Positions-BNG-2111-600x400



Ovaj dokument je originalno proizveden i objavljen od strane proizvođača, brenda Barkan, i preuzet je sa njihove zvanične stranice. S obzirom na ovu činjenicu, Tehnoteka ističe da ne preuzima odgovornost za tačnost, celovitost ili pouzdanost informacija, podataka, mišljenja, saveta ili izjava sadržanih u ovom dokumentu.

Napominjemo da Tehnoteka nema ovlašćenje da izvrši bilo kakve izmene ili dopune na ovom dokumentu, stoga nismo odgovorni za eventualne greške, propuste ili netačnosti koje se mogu naći unutar njega. Tehnoteka ne odgovara za štetu nanесenu korisnicima pri upotrebi netačnih podataka. Ukoliko imate dodatna pitanja o proizvodu, ljubazno vas molimo da kontaktirate direktno proizvođača kako biste dobili sve detaljne informacije.

Za najnovije informacije o ceni, dostupnim akcijama i tehničkim karakteristikama proizvoda koji se pominje u ovom dokumentu, molimo posetite našu stranicu klikom na sledeći link:

<https://tehnoteka.rs/p/zidni-nosac-za-tv-barkan-lcd-3400lb-akcija-cena/>