

Uputstvo za montažu i instalaciju (EN)

Zidni nosač za TV BARKAN E310+.B



Tehnoteka je online destinacija za upoređivanje cena i karakteristika bele tehnike, potrošačke elektronike i IT uređaja kod trgovinskih lanaca i internet prodavnica u Srbiji. Naša stranica vam omogućava da istražite najnovije informacije, detaljne karakteristike i konkurentne cene proizvoda.

Posetite nas i uživajte u ekskluzivnom iskustvu pametne kupovine klikom na link:

<https://tehnoteka.rs/p/zidni-nosac-za-tv-barkan-e310b-akcija-cena/>




Download Assembly Instructions with Text

For more information: [barkanmounts.com](https://www.barkanmounts.com)

If you are satisfied with the product, please give us a 5 stars ★★★★★ rating on the website you bought it from. If you are not satisfied please contact us at <https://www.barkanmounts.com/support> and we will solve the problem for you.

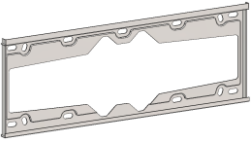

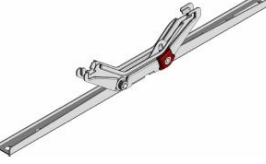
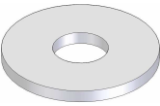

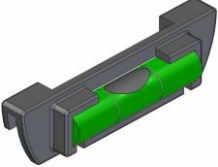
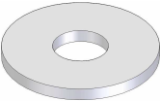


TV Size ↗
13"-65"
↙ 33cm-165cm

TV Weight
US  Max EU
110lbs | 50kg



**Safety instructions and installation warnings (provided separately)
must be read in full, prior to assembly.**

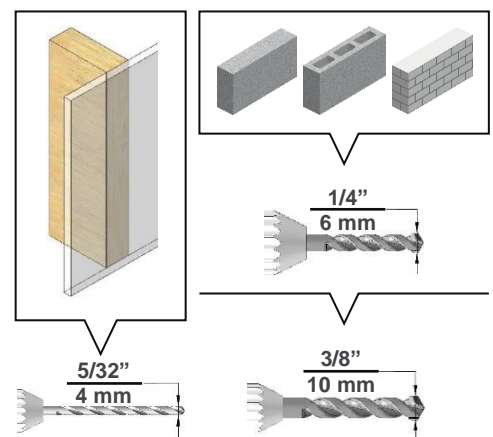
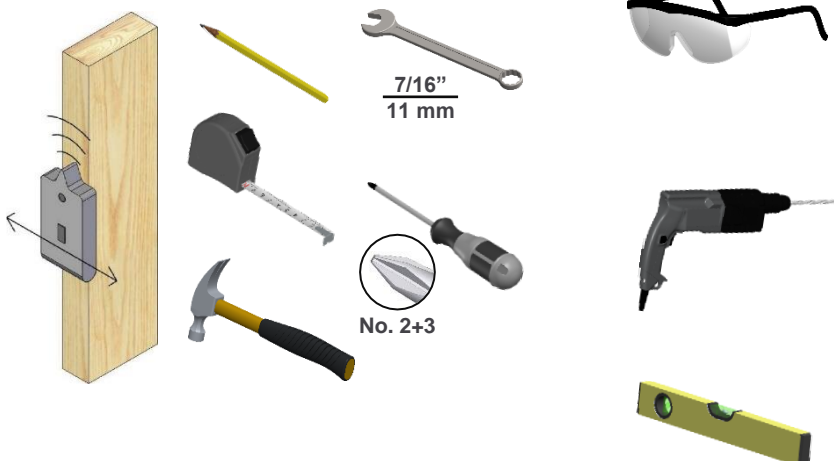
Included Parts not to scale

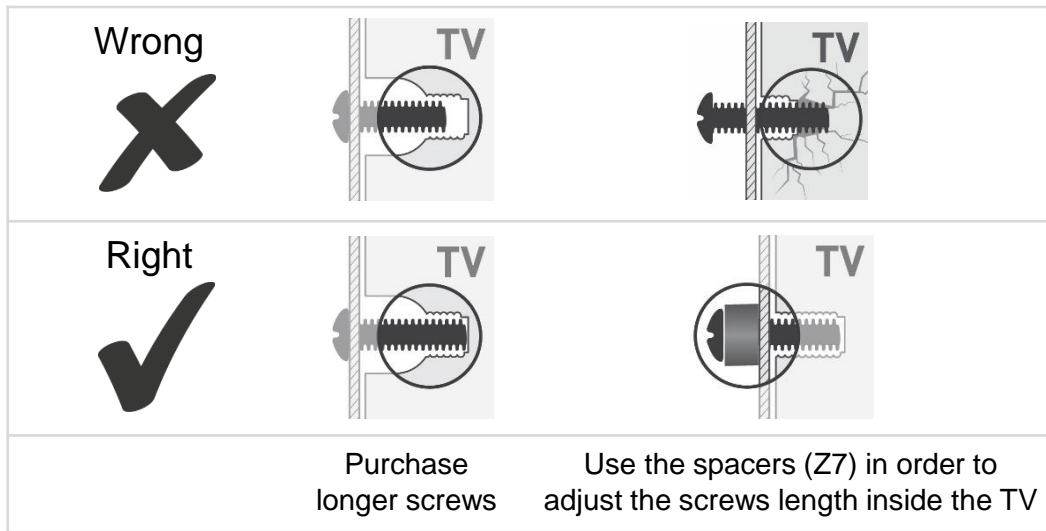
A Wall plate  x1	B TV rail  x1	C TV rail  x1
Z4 Metal washer  x4	Z7 Plastic spacer  x8	Z8 Bubble level  x1
W1 Metal washer  x4	W2 Anchor  x4	W3 Screw  x4



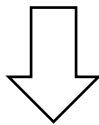
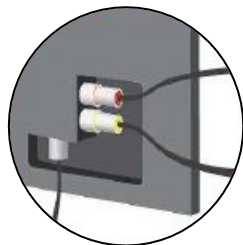
#	M	L mm	L inch	pcs
Z1	6	16	5/8	4
Z2	6	25	1	4
Z3	4	20	3/4	4
Z5	8	25	1	4
Z6	8	45	1 3/4	4

Required Tools

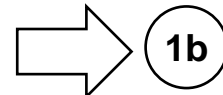
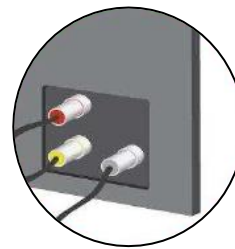




1 Follow the steps according to your TV's cable connection type.
(Is it parallel or perpendicular to the wall?)

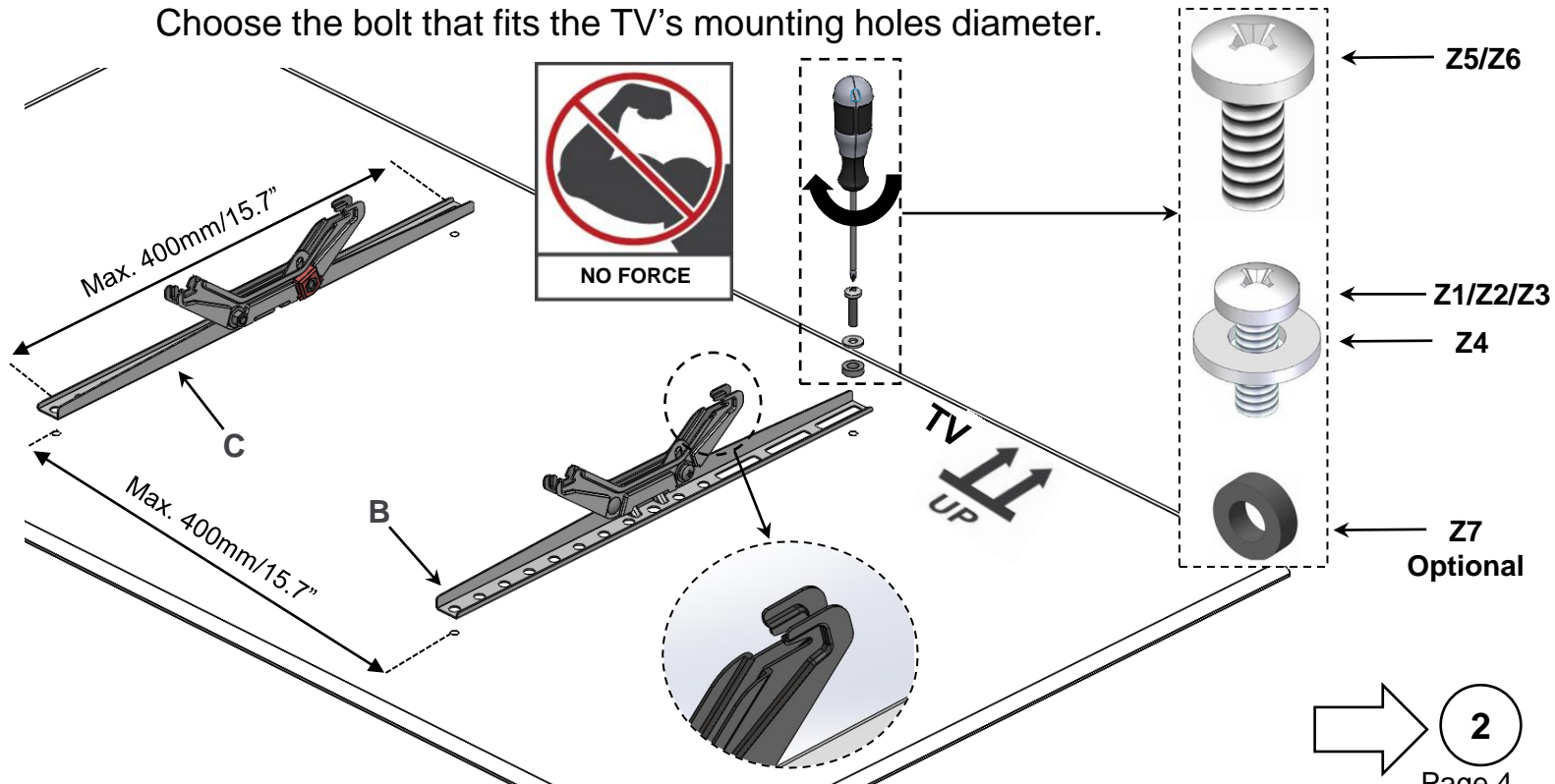


1a



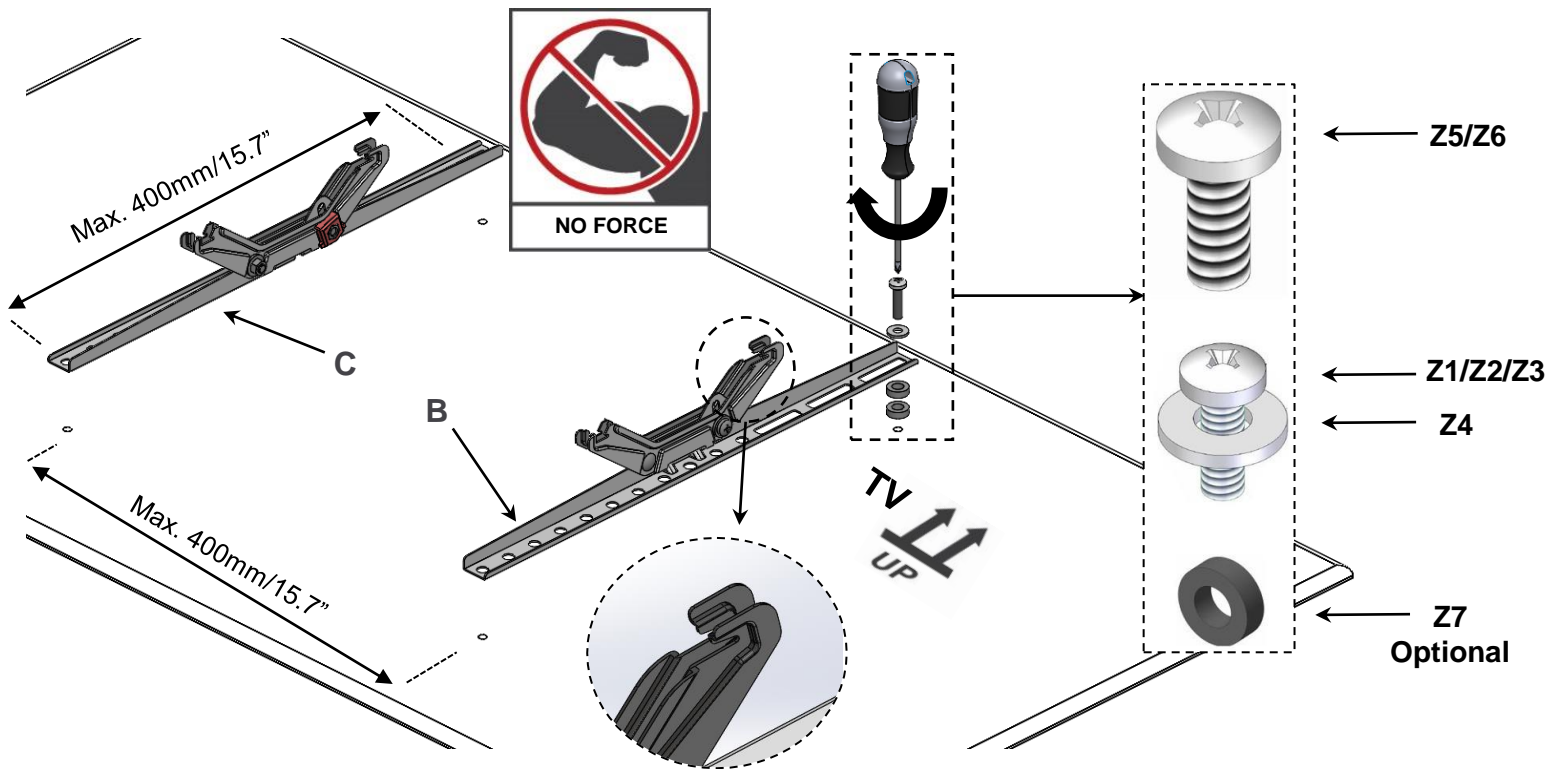
Page 4

1a Connect the TV rails (B and C) to the back of the TV at all 4 connection holes, and place the plastic spacers (Z7) above the TV rails. Choose the bolt that fits the TV's mounting holes diameter.



Page 4

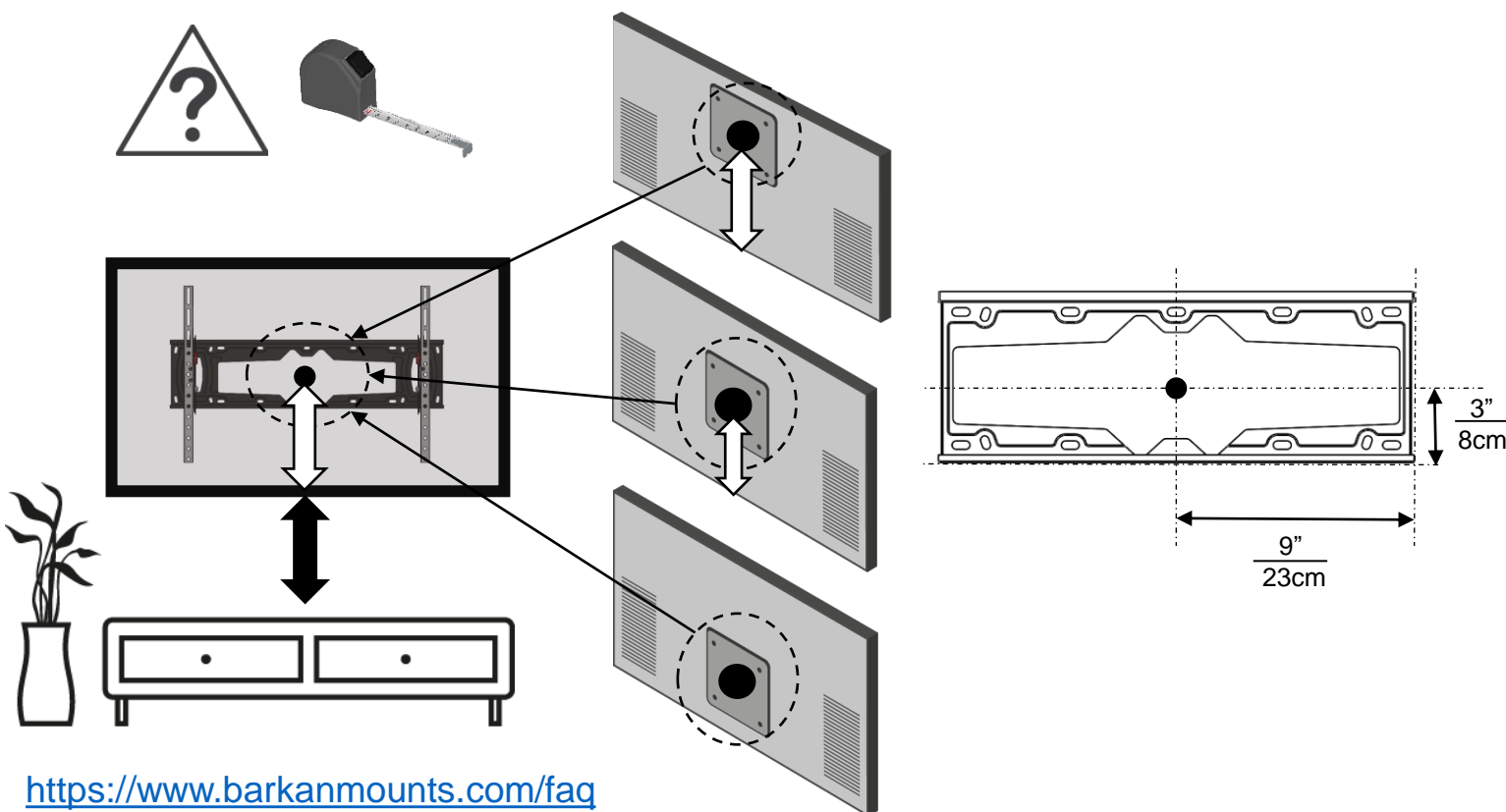
- 1b** Connect the TV rails (B and C) to the back of TV at all 4 connection holes, while placing the plastic spacers (Z7) between the TV rails (B,C) and the back of the TV. Choose the screw that fits the TV's mounting holes diameter.



For more positioning options please turn to the last page

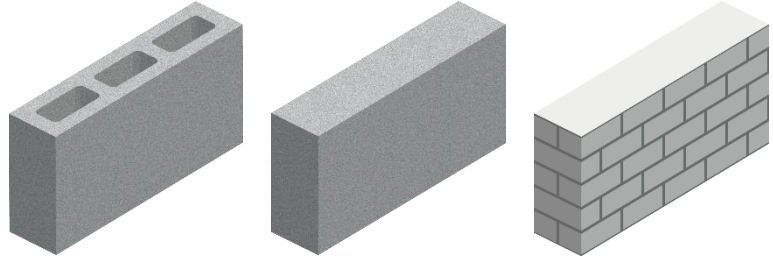
2 **Install the Wall plate on the Wall**

Measure the distance between the location of the TV's mounting holes center and the bottom of the TV, in order to set the required height of the TV



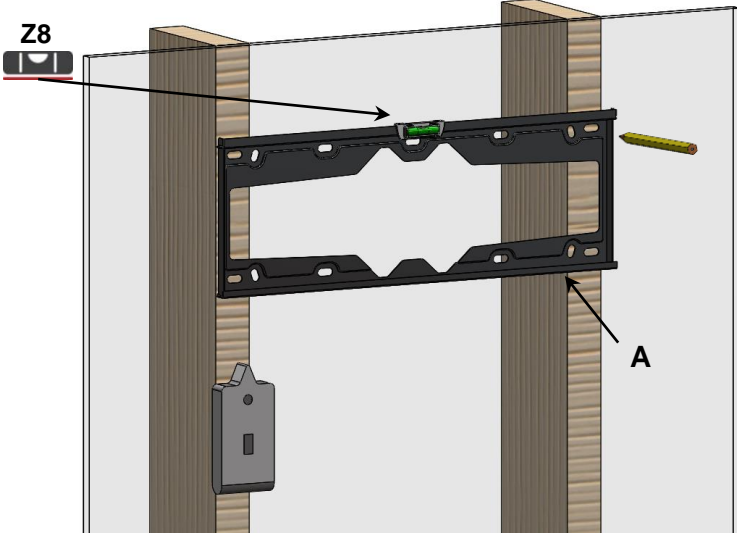
3

Follow the steps according to your wall type

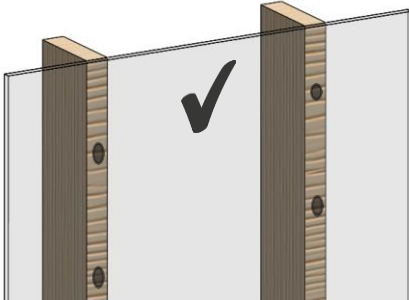
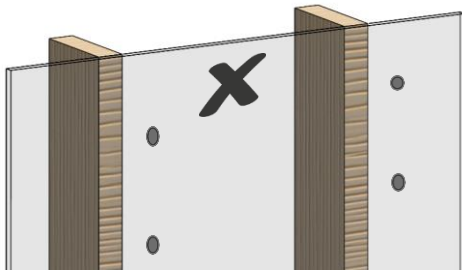
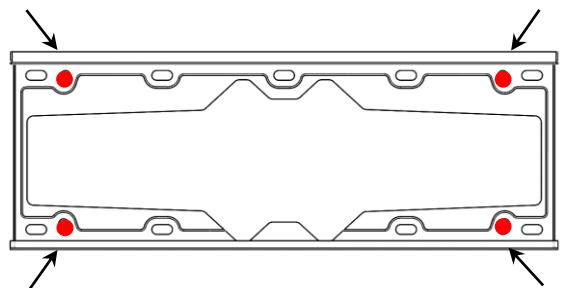
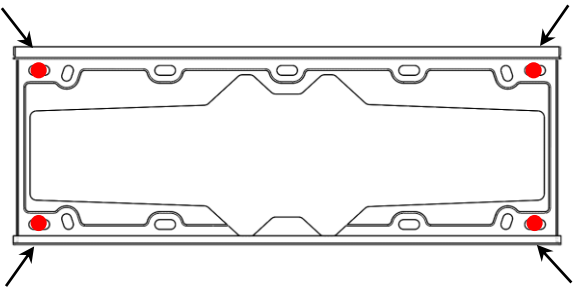
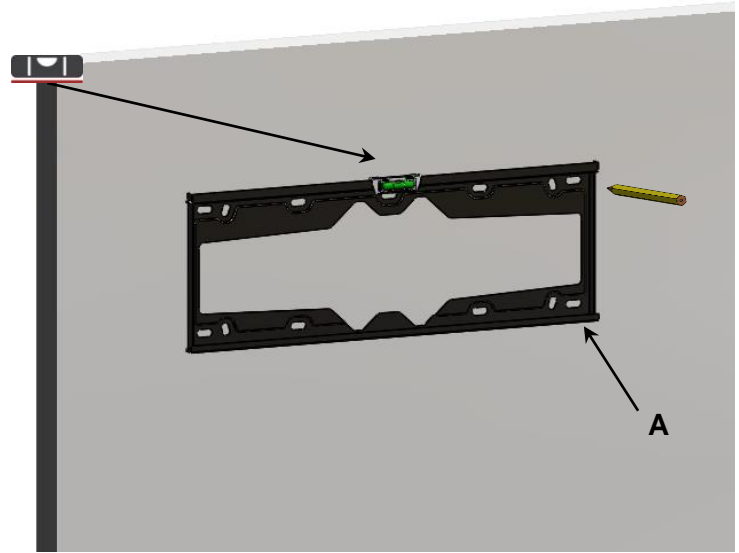


4

Mark the holes on the wall according to the required height



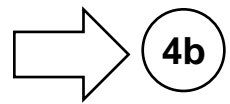
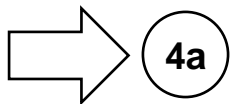
Use a Stud Finder



Make sure all holes are inside the studs

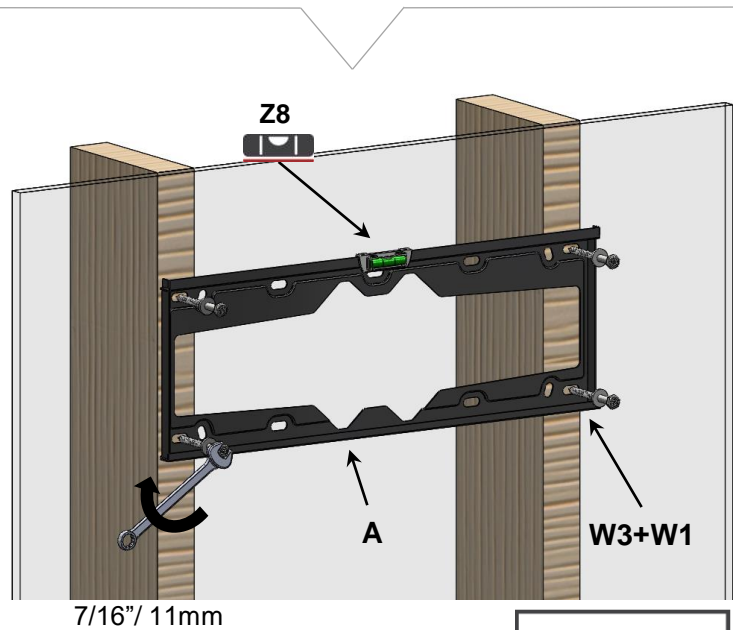
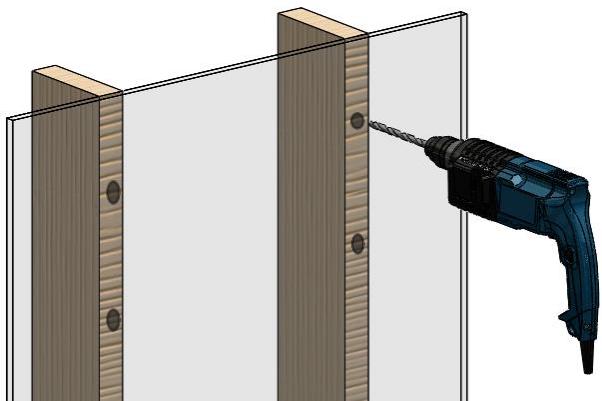
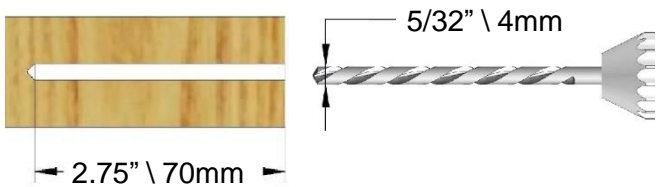


Make sure there are no electrical/water line in the wall before drilling and then drill according to the marking



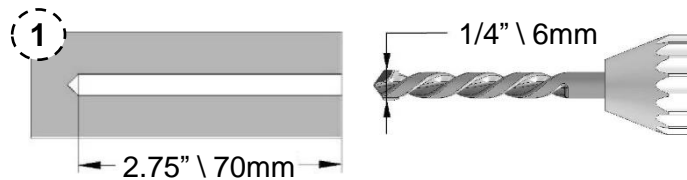
4a

Drill with 5/32" \ 4mm drill bit

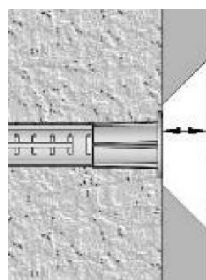
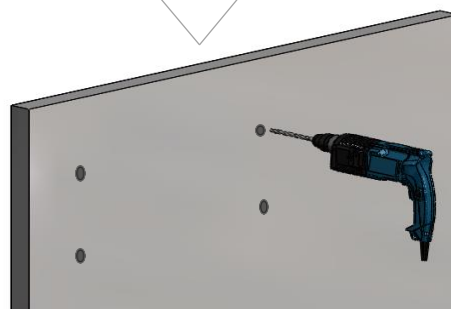
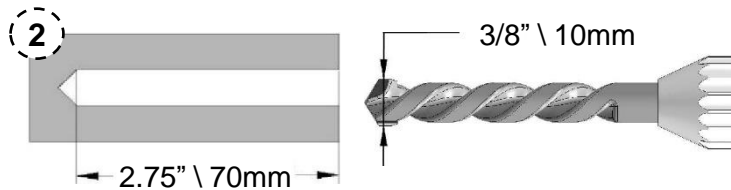


4b

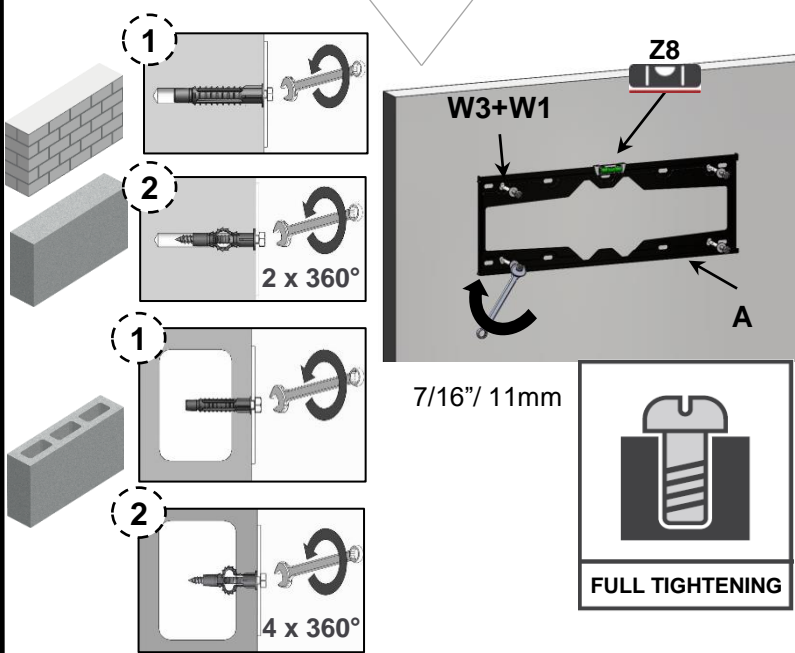
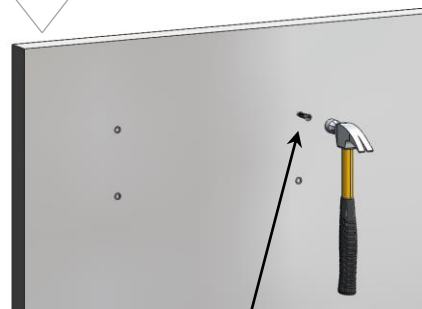
First use 1/4" \ 6mm drill bit



Afterwards use 3/8" \ 10mm drill bit

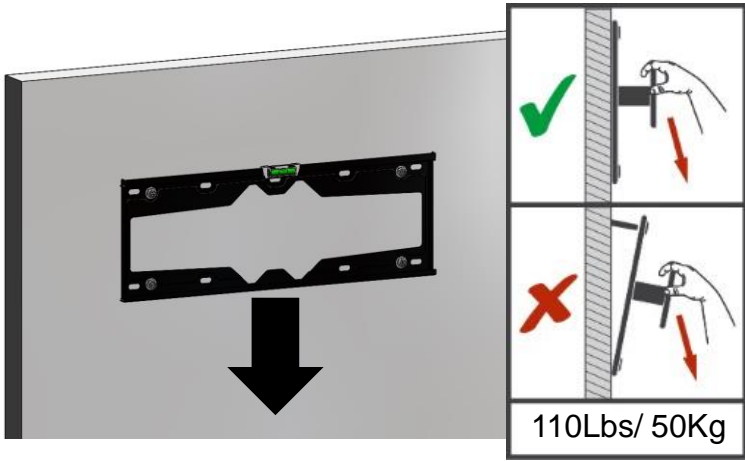


The anchor must be sunk at least 3/8"/10 mm into the plaster coating

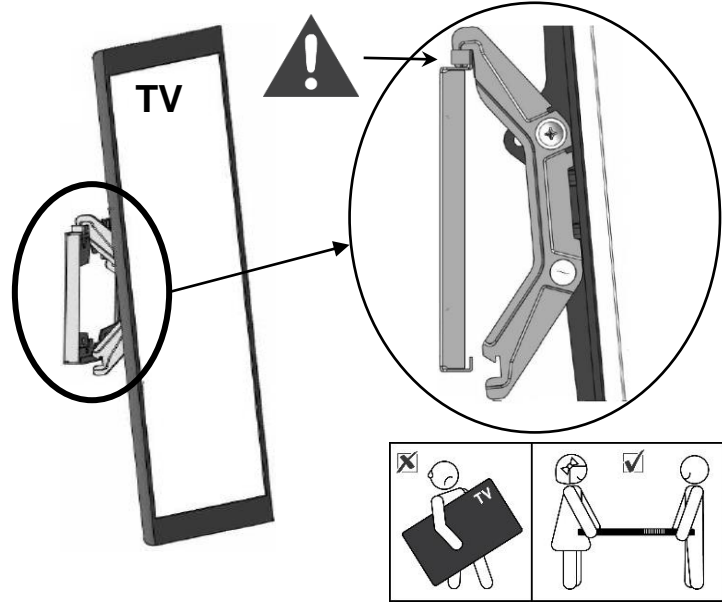


5 Weight test

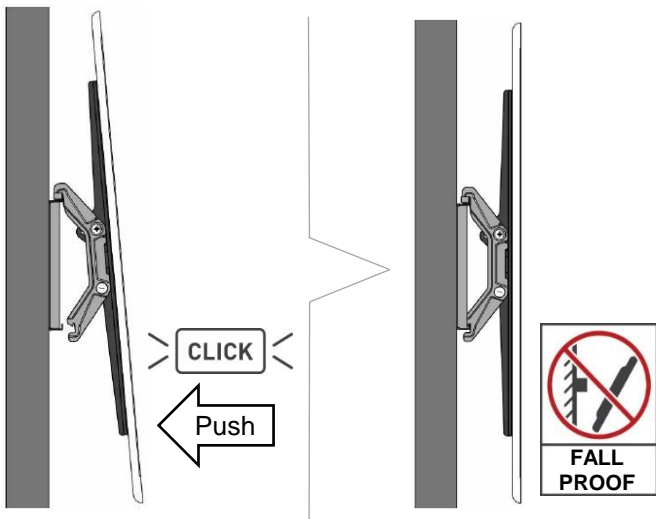
Apply force on the upper part of the Bracket and make sure it is well connected



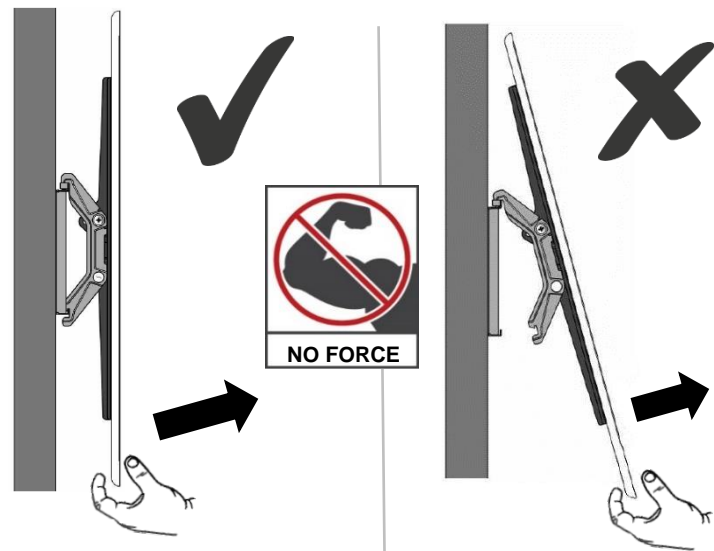
6 Connect the TV to the wall plate by hooking the upper part of the vertical rails on the wall plate



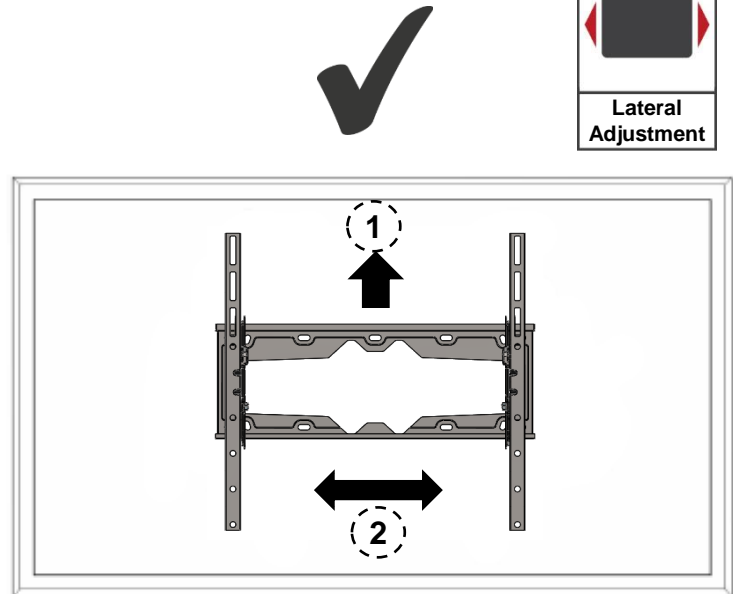
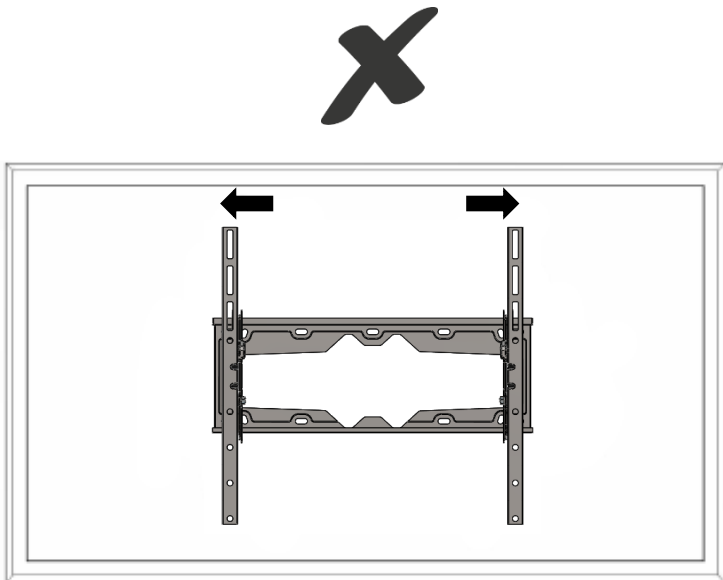
7 Push slightly until you hear a “click”.



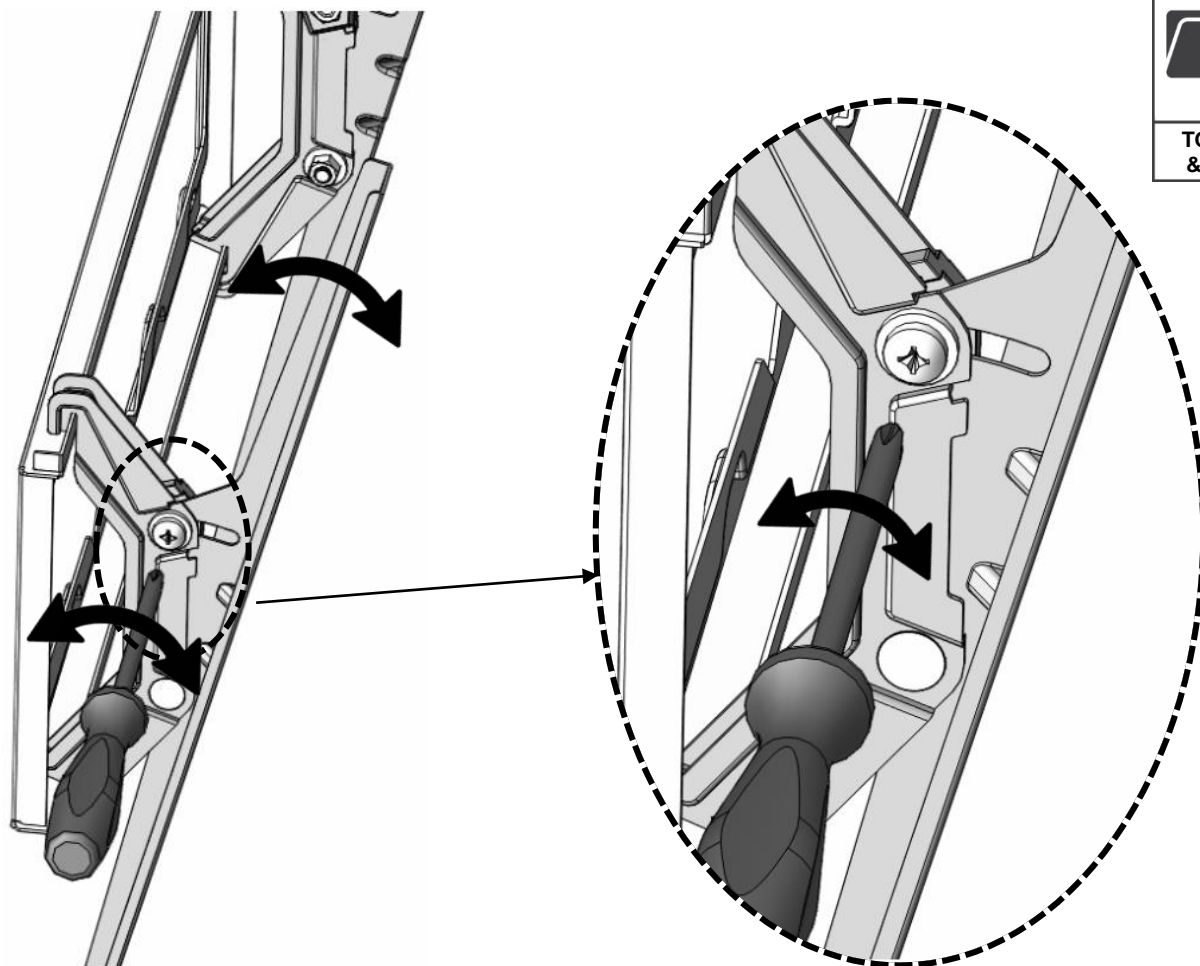
8 Test if the auto-lock mechanism is functioning.



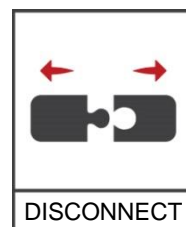
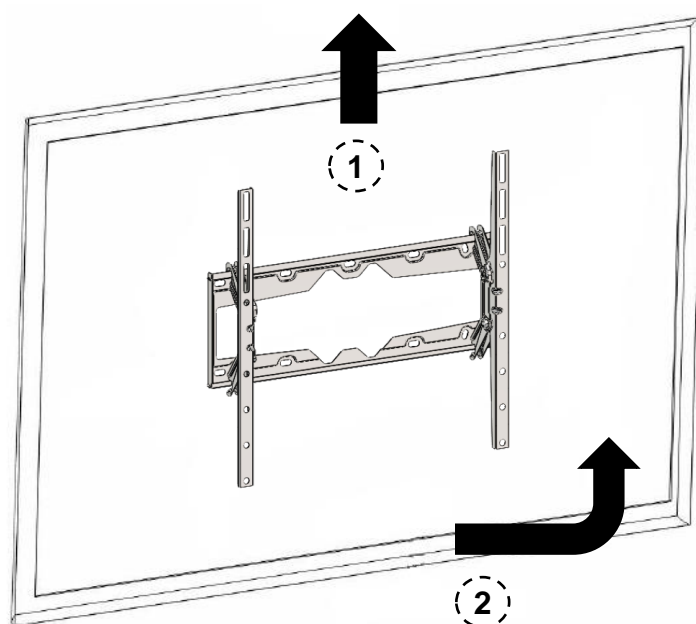
9 To adjust the lateral position, first lift the screen and then move it to the required position.



- 10 Tighten the screw in order to create the necessary friction for the tool free tilt mechanism.

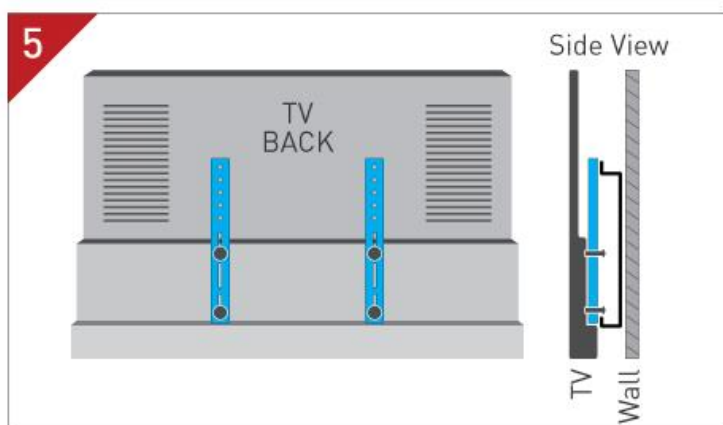
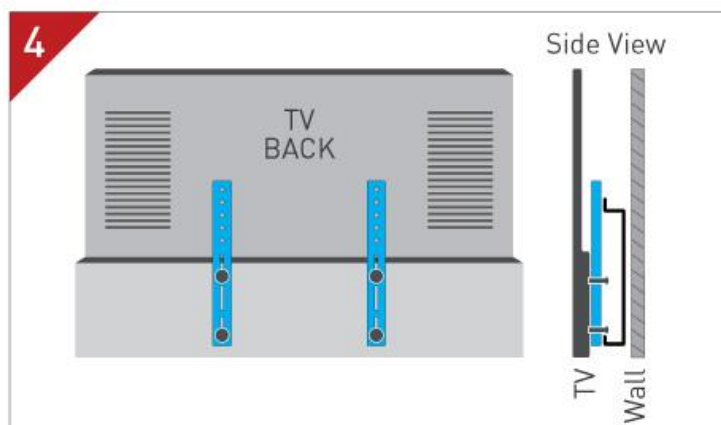
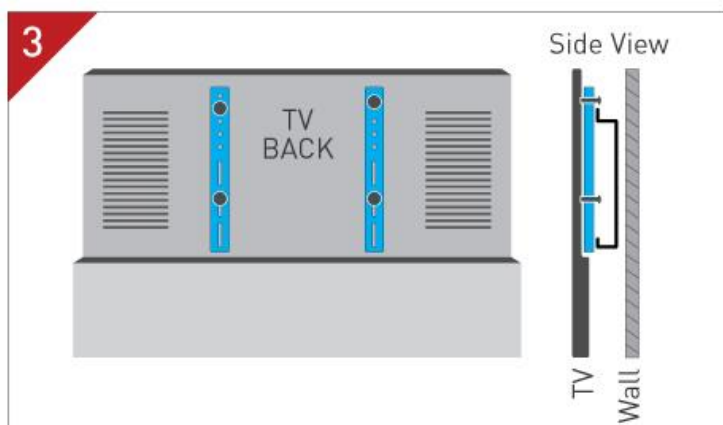
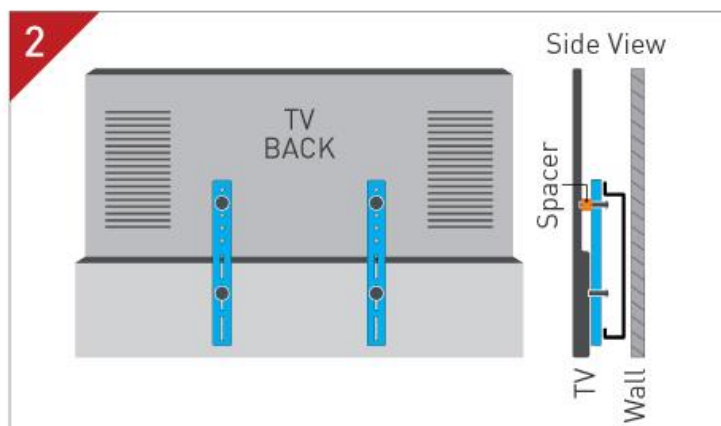
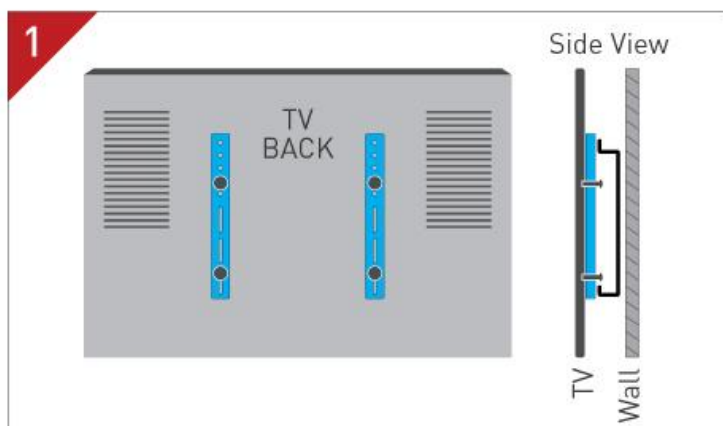


- 11 To disconnect the TV, pull gently up and out.



BACKSCREEN CONNECTION POSITIONING OPTIONS

A few sizes of vertical rails (marked in blue) for TV backscreen connections are available. The positions are (Width x Height) 75x75 - 600x400 millimeters.



If your backscreen connections are not included in any of the positions, please contact us

www.barkanmounts.com/support

Ovaj dokument je originalno proizveden i objavljen od strane proizvođača, brenda Barkan, i preuzet je sa njihove zvanične stranice. S obzirom na ovu činjenicu, Tehnoteka ističe da ne preuzima odgovornost za tačnost, celovitost ili pouzdanost informacija, podataka, mišljenja, saveta ili izjava sadržanih u ovom dokumentu.

Napominjemo da Tehnoteka nema ovlašćenje da izvrši bilo kakve izmene ili dopune na ovom dokumentu, stoga nismo odgovorni za eventualne greške, propuste ili netačnosti koje se mogu naći unutar njega. Tehnoteka ne odgovara za štetu nanесenu korisnicima pri upotrebi netačnih podataka. Ukoliko imate dodatna pitanja o proizvodu, ljubazno vas molimo da kontaktirate direktno proizvođača kako biste dobili sve detaljne informacije.

Za najnovije informacije o ceni, dostupnim akcijama i tehničkim karakteristikama proizvoda koji se pominje u ovom dokumentu, molimo posetite našu stranicu klikom na sledeći link:

<https://tehnoteka.rs/p/zidni-nosac-za-tv-barkan-e310b-akcija-cena/>