

Uputstvo za montažu i instalaciju (EN)

Zidni nosač za TV BARKAN BM464XL



Tehnoteka je online destinacija za upoređivanje cena i karakteristika bele tehnike, potrošačke elektronike i IT uređaja kod trgovinskih lanaca i internet prodavnica u Srbiji. Naša stranica vam omogućava da istražite najnovije informacije, detaljne karakteristike i konkurentne cene proizvoda.

Posetite nas i uživajte u ekskluzivnom iskustvu pametne kupovine klikom na link:

<https://tehnoteka.rs/p/zidni-nosac-za-tv-barkan-bm464xl-akcija-cena/>

Extra Long Dual Arm TV Wall Mount

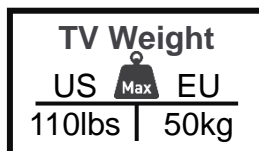


Download Assembly Instructions with Text

For more information: barkanmounts.com

If you are satisfied with the product, please give us a 5 stars ★★★★★ rating on the website you bought it from. If you are not satisfied please contact us at <https://www.barkanmounts.com/support> and we will solve the problem for you.

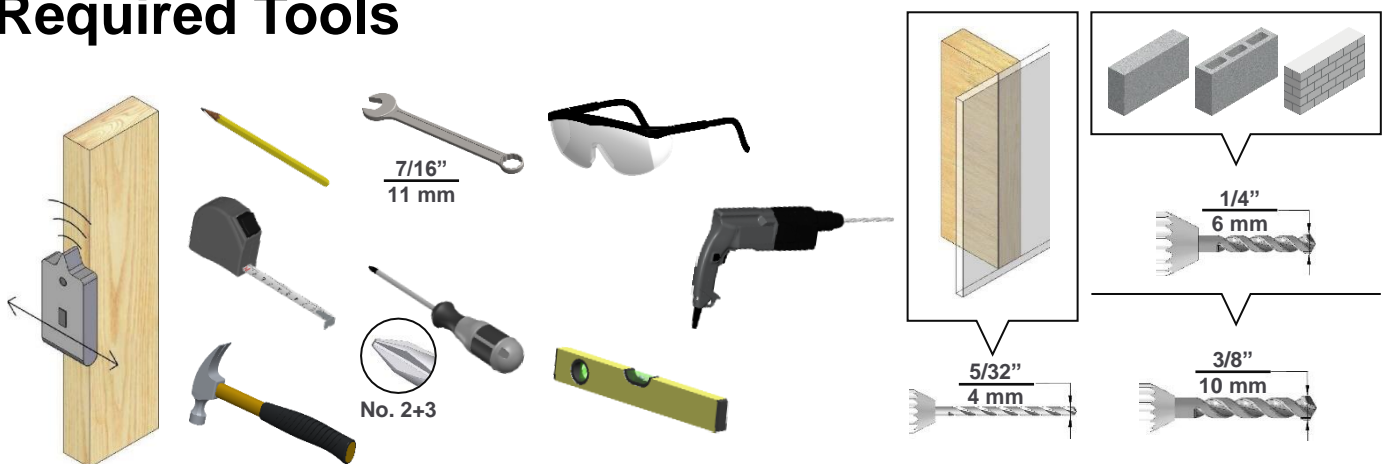
BM464XL-MAN-ONL-2304

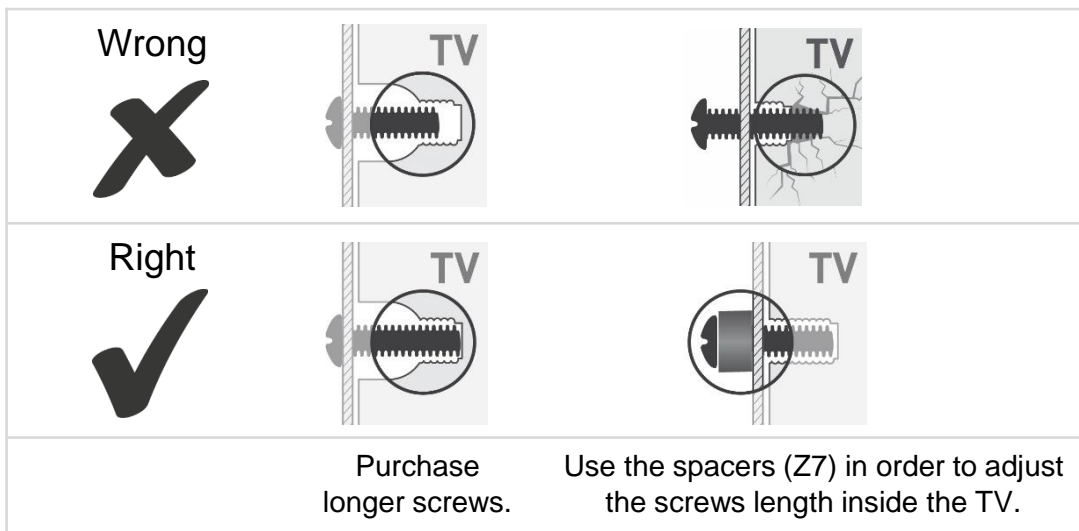


**Safety instructions and installation warnings (provided separately)
must be read in full, prior to assembly.**

A Bracket  x1	B Front Arms  x1	C TV Plate  x1	D Adaptor  x4	E Drilling Template  x1																														
Z6  x8	Z7  x4	Z8  x4	S1 Sticker  x6	W1  x8																														
W2  x8	W3  x8	Y1  x2	Y2  x2	Y3  x1																														
Y4 Wall Plate Plastic Cover  x1	Y5 Wall Plate Plastic Cover  x1	Y6 Cable Management  x2	Y7 Cable Management  x2	P1  x4																														
P2  x2	P3  x2	 <table border="1" data-bbox="1125 1299 1564 1668"> <thead> <tr> <th>#</th> <th>M</th> <th>L mm</th> <th>L inch</th> <th>pcs</th> </tr> </thead> <tbody> <tr> <td>Z1</td> <td>4</td> <td>20</td> <td>3/4</td> <td>4</td> </tr> <tr> <td>Z2</td> <td>6</td> <td>16</td> <td>5/8</td> <td>4</td> </tr> <tr> <td>Z3</td> <td>6</td> <td>25</td> <td>3/4</td> <td>4</td> </tr> <tr> <td>Z4</td> <td>8</td> <td>25</td> <td>1</td> <td>4</td> </tr> <tr> <td>Z5</td> <td>8</td> <td>45</td> <td>1 3/4</td> <td>4</td> </tr> </tbody> </table>			#	M	L mm	L inch	pcs	Z1	4	20	3/4	4	Z2	6	16	5/8	4	Z3	6	25	3/4	4	Z4	8	25	1	4	Z5	8	45	1 3/4	4
#	M	L mm	L inch	pcs																														
Z1	4	20	3/4	4																														
Z2	6	16	5/8	4																														
Z3	6	25	3/4	4																														
Z4	8	25	1	4																														
Z5	8	45	1 3/4	4																														

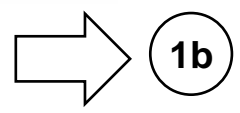
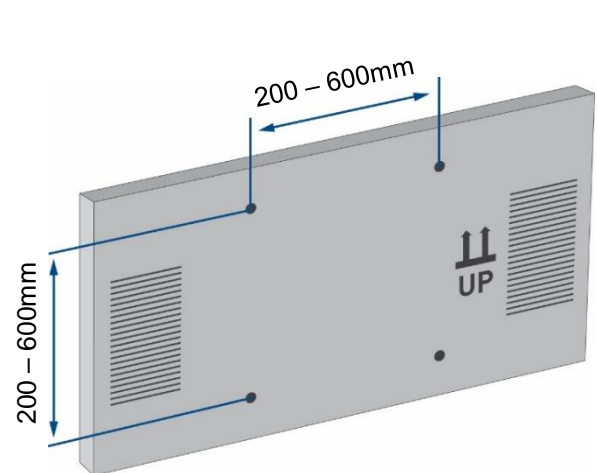
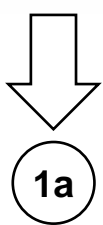
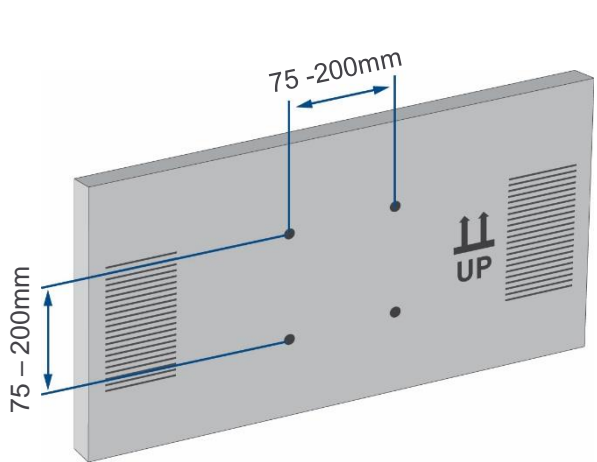
Required Tools





1

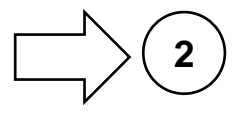
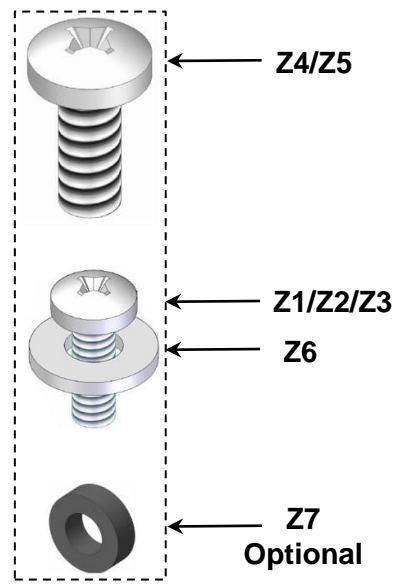
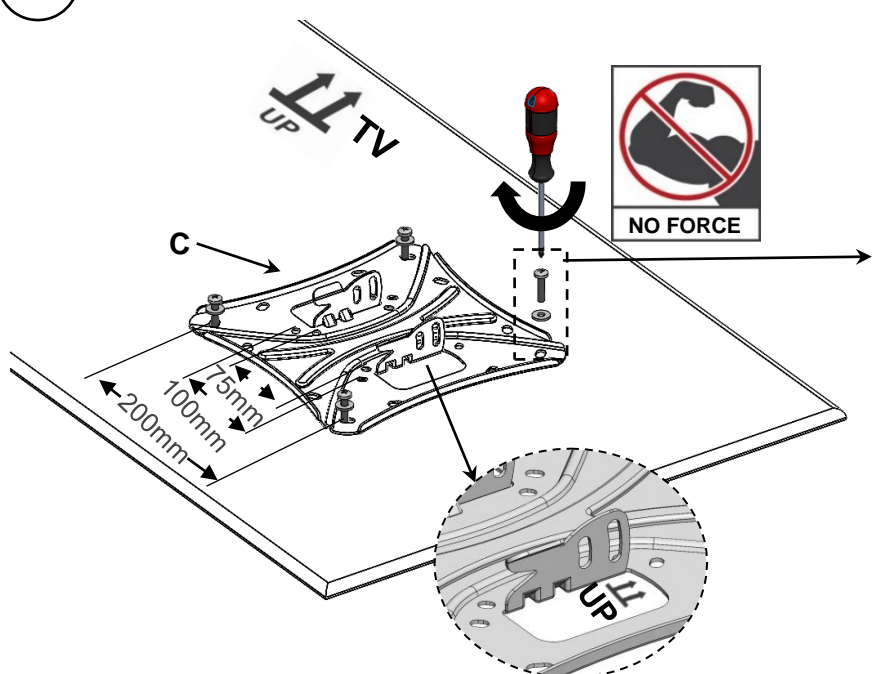
Continue according to your TV mounting hole pattern.



Page 4

1a

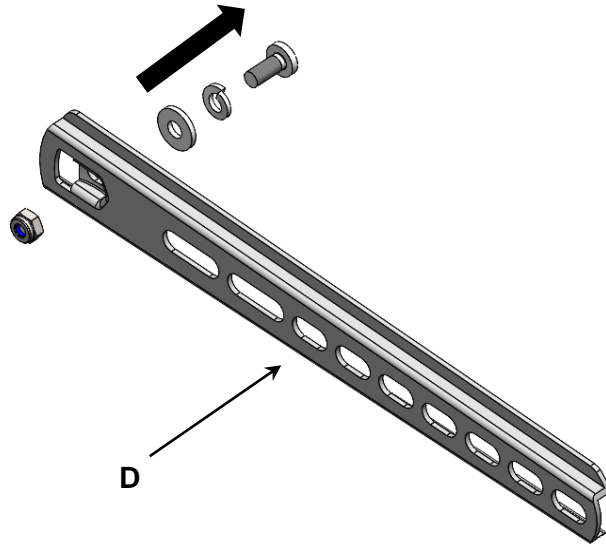
75x75 mm up to 200X200 mm (inclusive) hole pattern.



Page 6

1b) Hole pattern above 200x200 mm up to 600x400 mm:

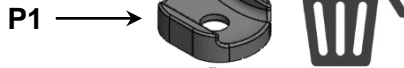
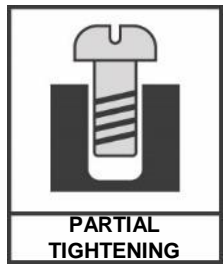
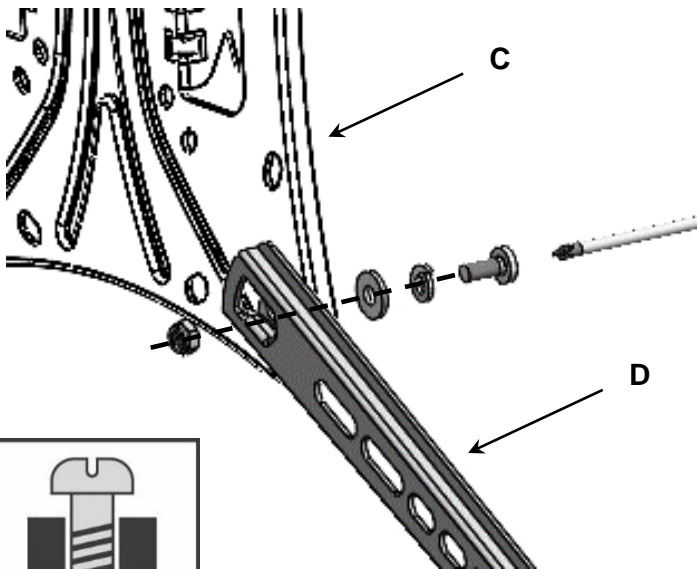
1) Disassemble the screws.



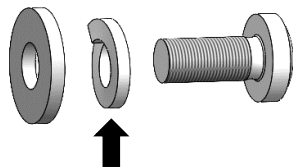
2) connect the 4 adaptors to the TV plate, and reassemble the screws.

Flat screen

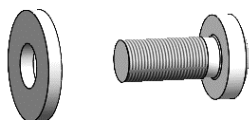
Flat TV



Right

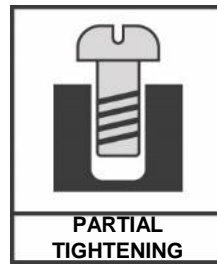
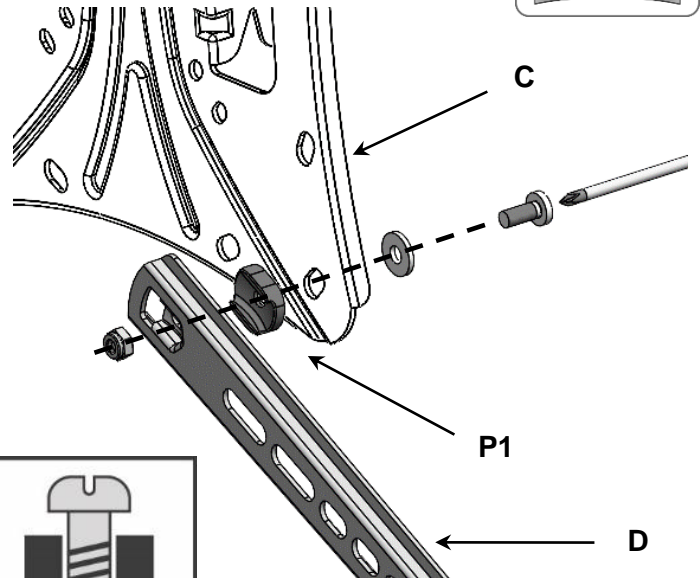


Wrong

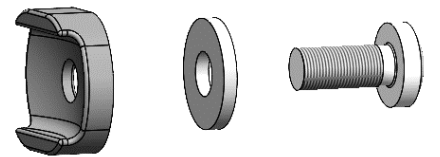


Curved screen

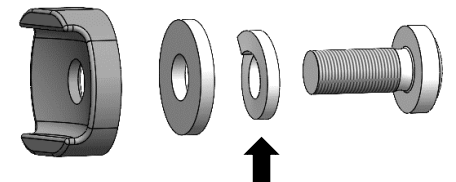
Curved TV

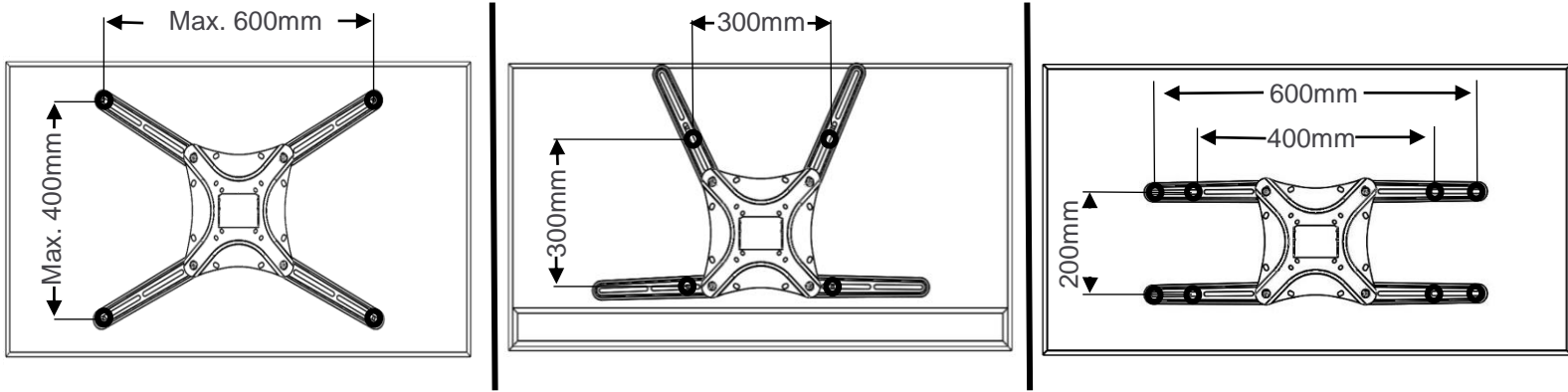


Right



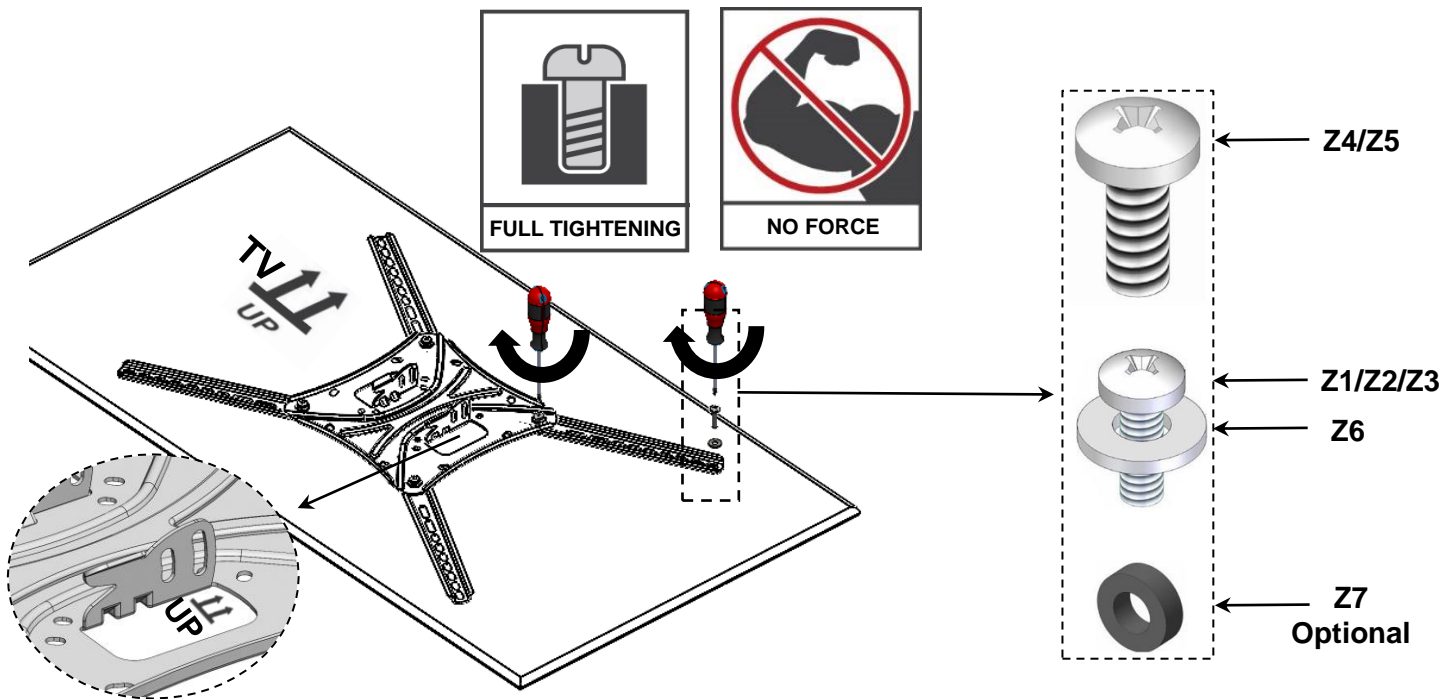
Wrong





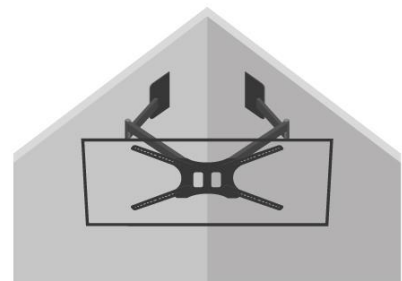
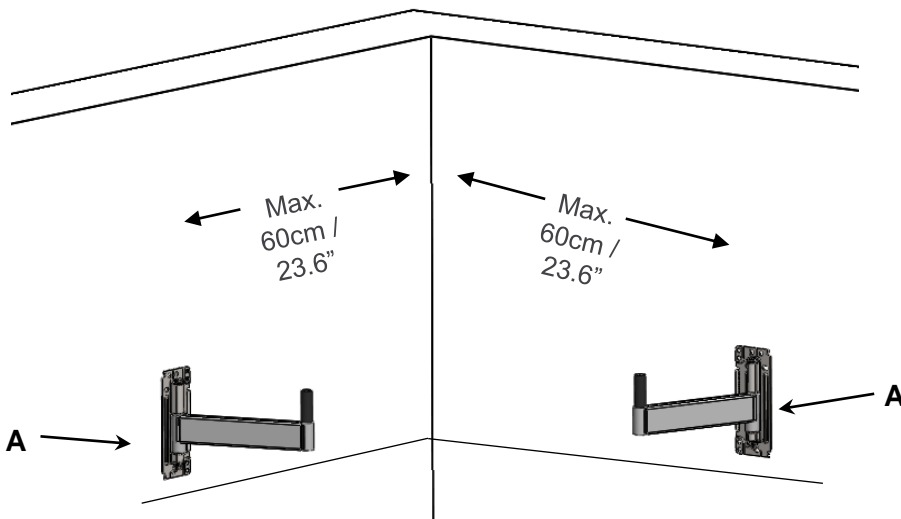
For more positioning options turn to page 12.

Connect the TV Plate with the Adaptors to the TV in all 4 connection holes.

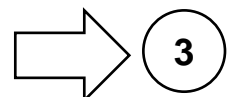


Optional – Corner installation

Functionality may vary depending on the distance from the corner.



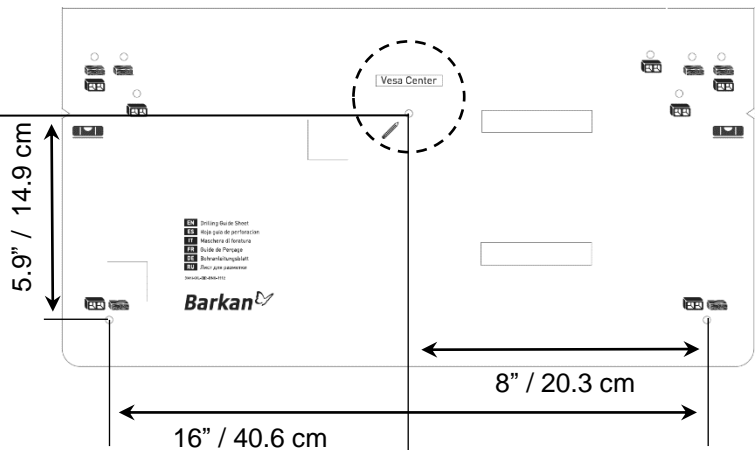
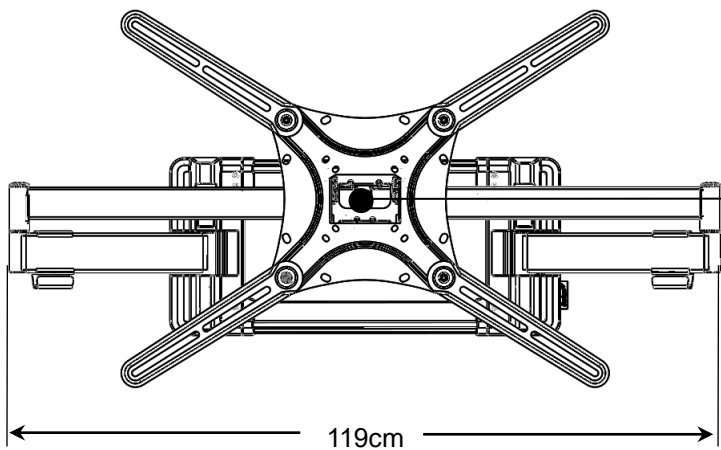
Max. TV Size
80" / 203cm



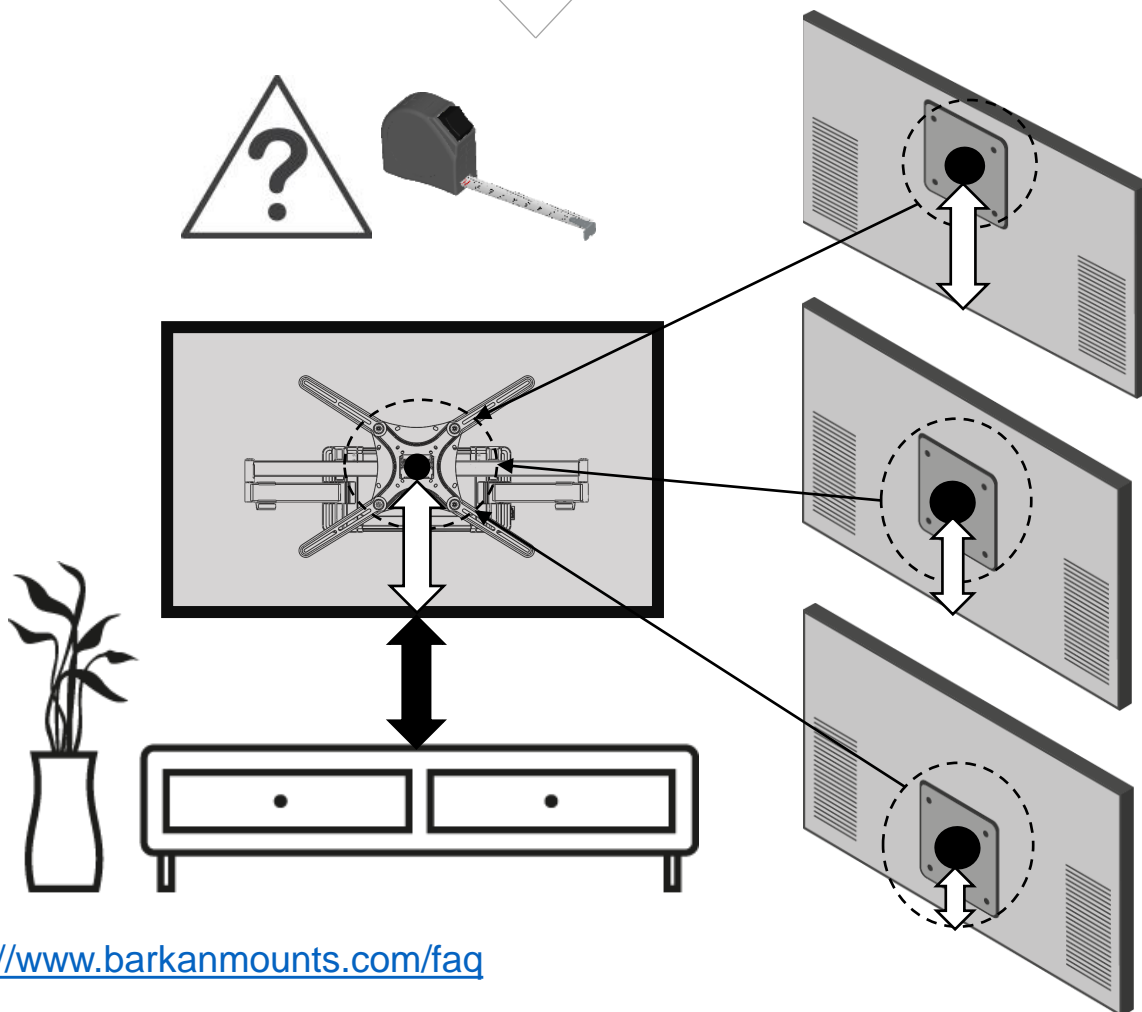
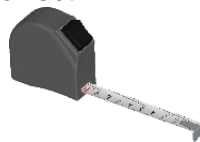
2

Install the bracket on the Wall.

the location of the TV's mounting holes' in order to set the required height of the TV.



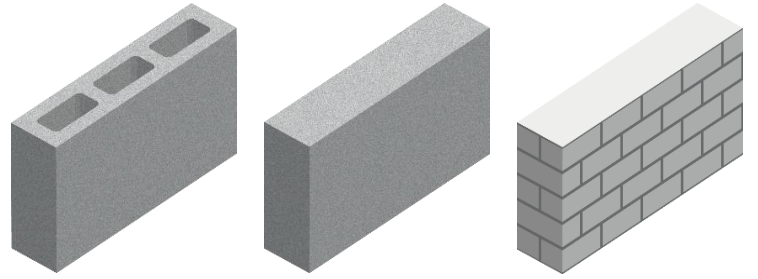
Make sure the distance between the 2 holes is correct.



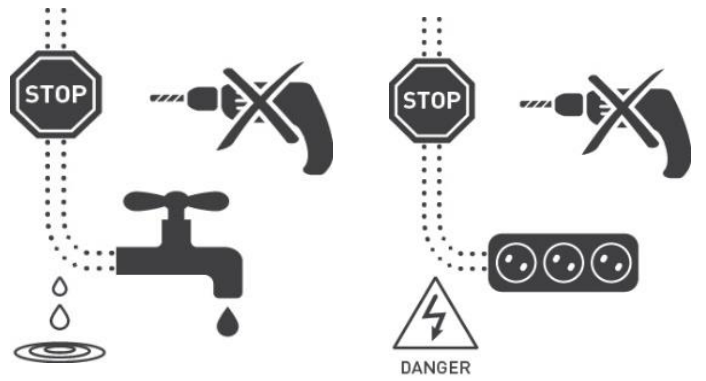
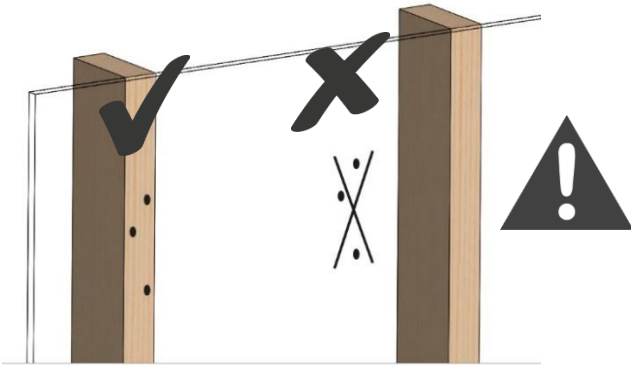
<https://www.barkanmounts.com/faq>

Follow the steps according to your wall type

3a

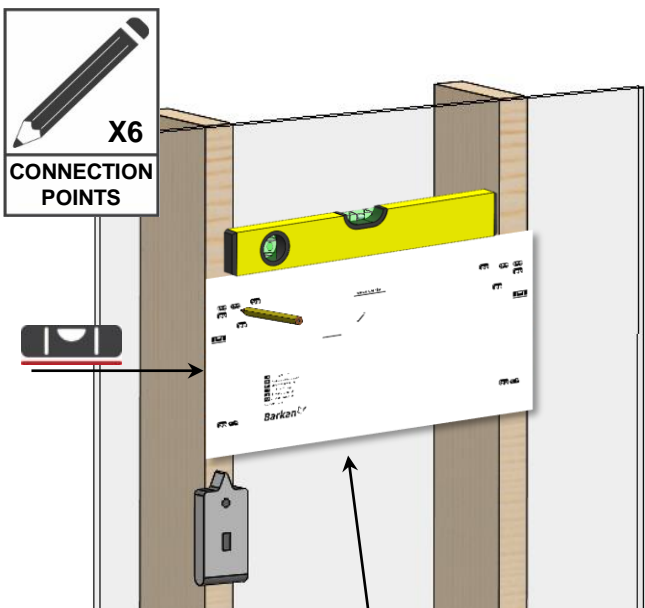


Make sure all holes are drilled inside the studs

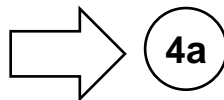


4

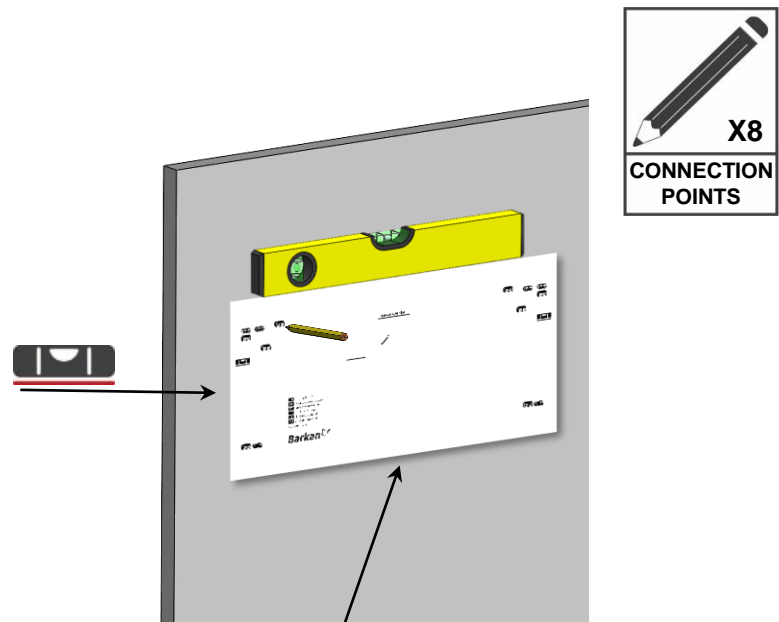
Mark the holes on the wall according to the required height



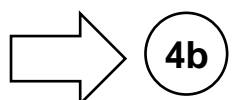
Use a Stud Finder E



Page 8



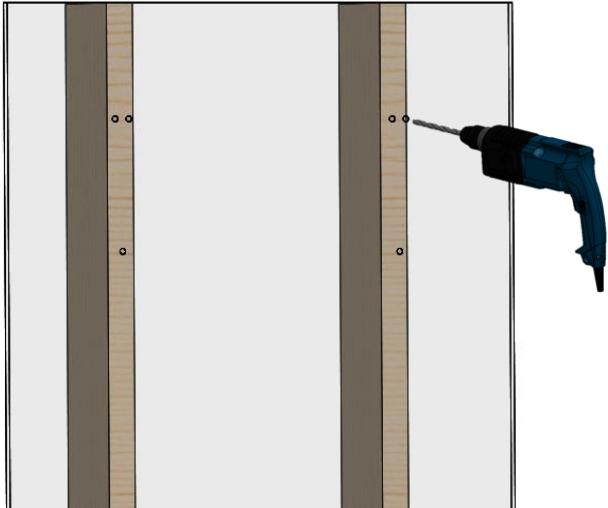
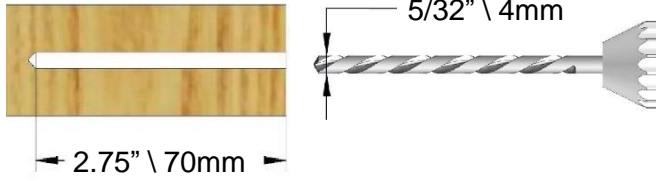
E



Page 8

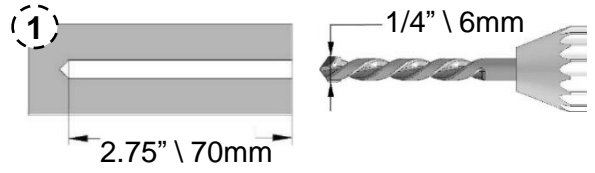
4a

Drill with 5/32" \ 4mm drill bit.

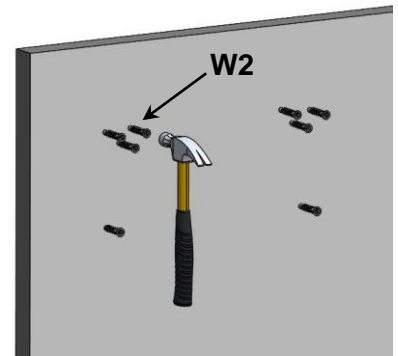
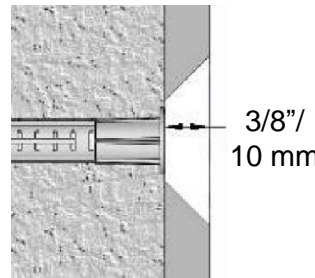
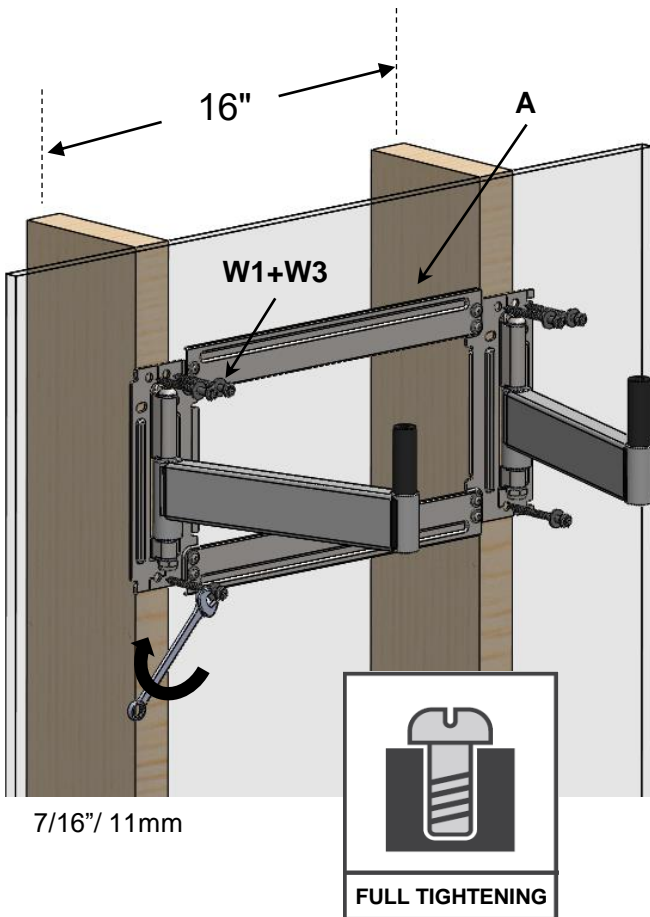
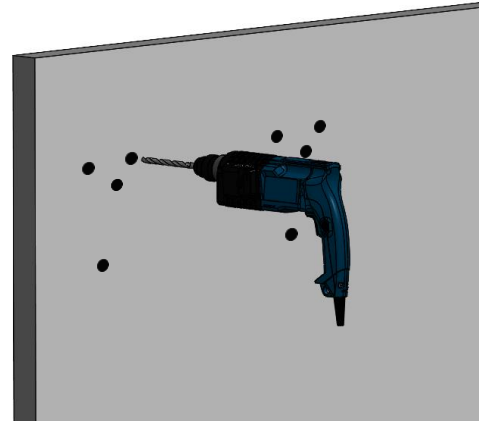
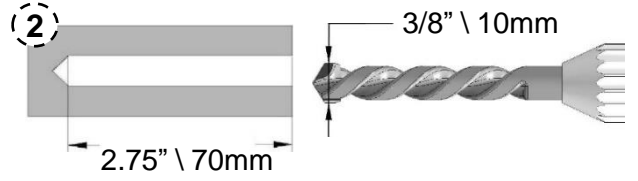


4b

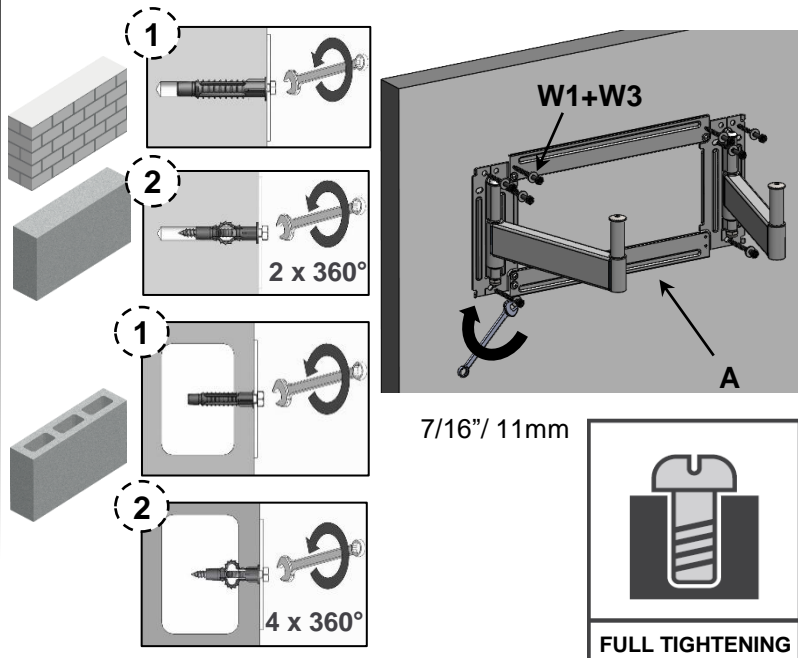
First use 1/4" \ 6mm drill bit.



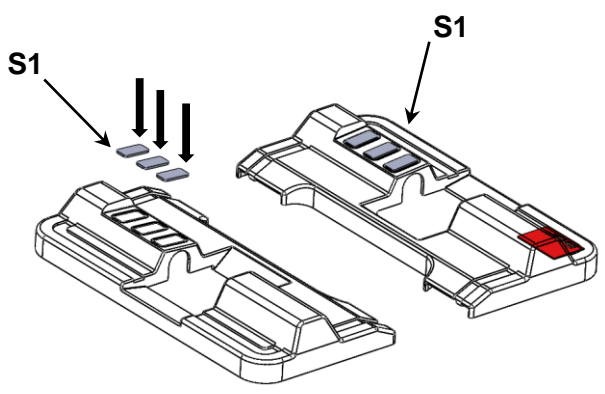
Afterwards use 3/8" \ 10mm drill bit.



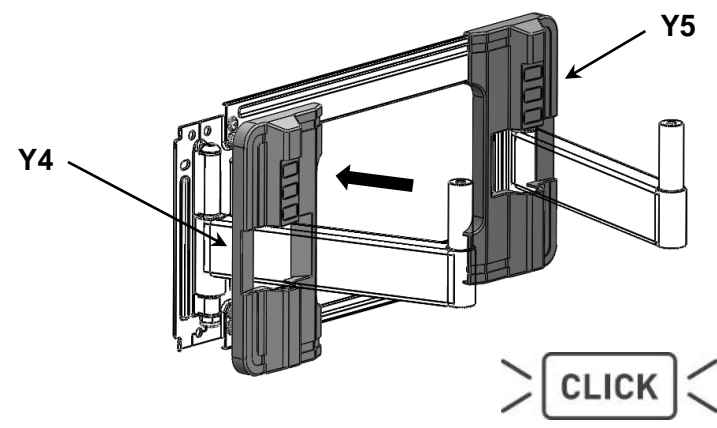
The anchor must be sunk at least 3/8"/10 mm into the plaster coating.



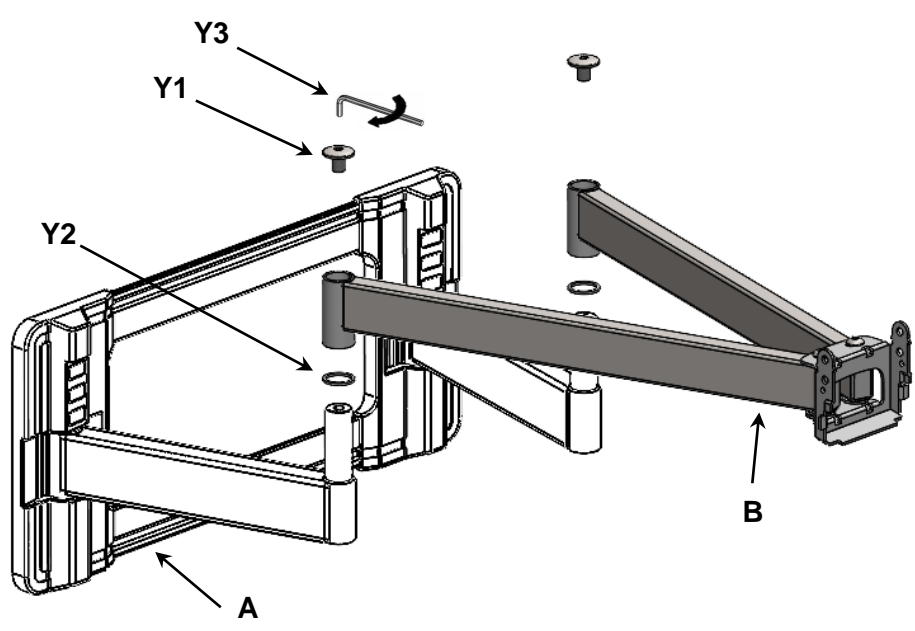
5 Paste the 6 stickers on the Plastic Covers.



6 Assemble the Wall Plate Plastic Covers.

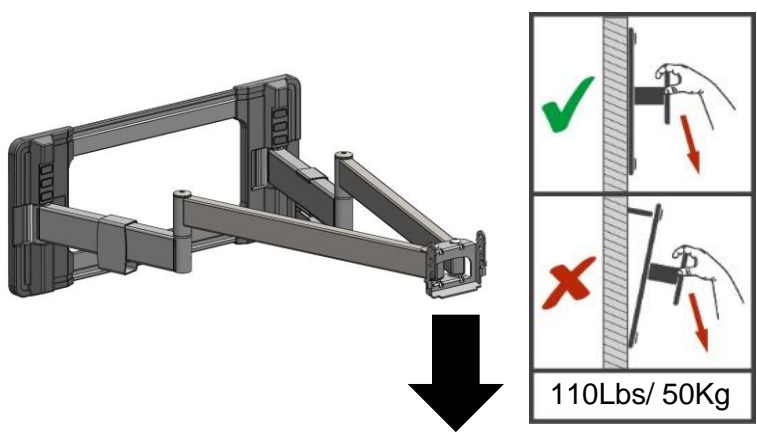


7 Connect the Front Arms (B) to the Bracket (A).

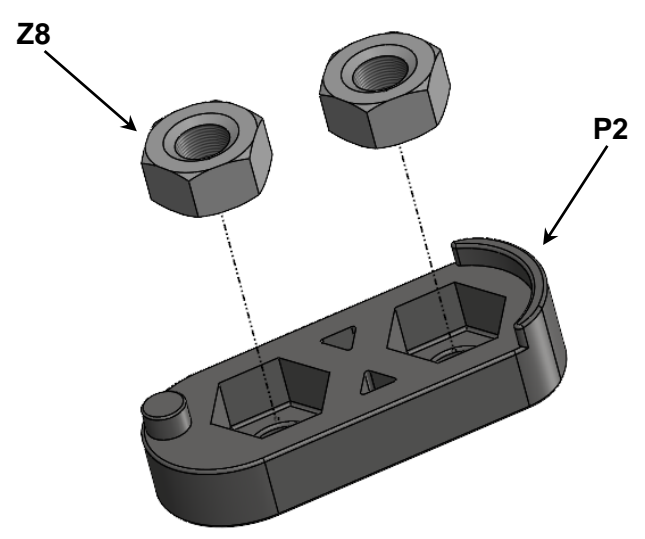


8 Weight test.

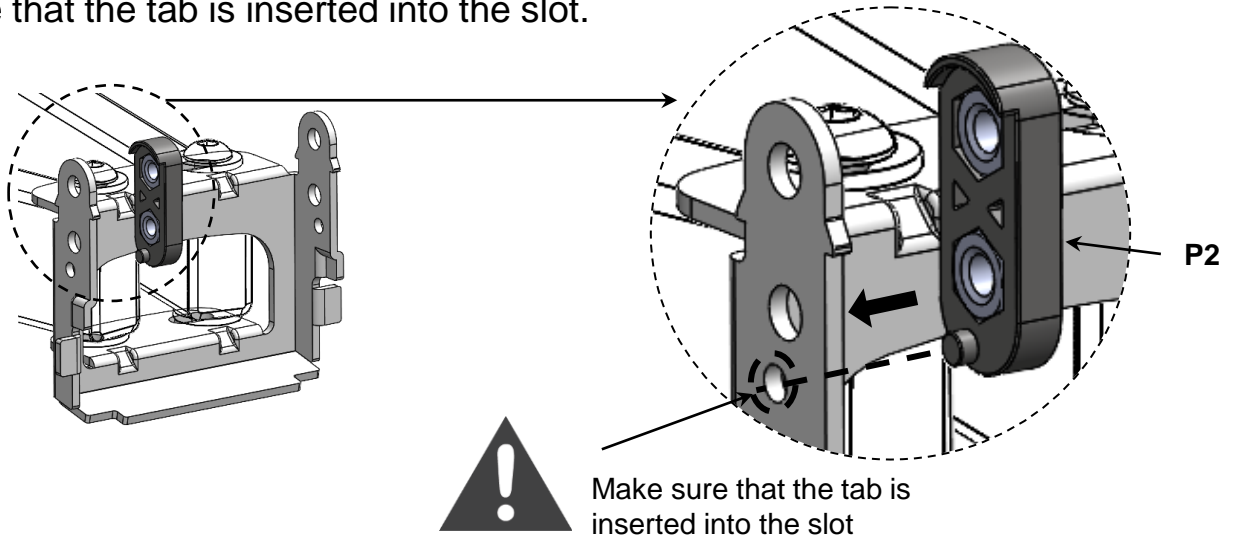
Apply force on the upper part of the Bracket and make sure it is well connected.



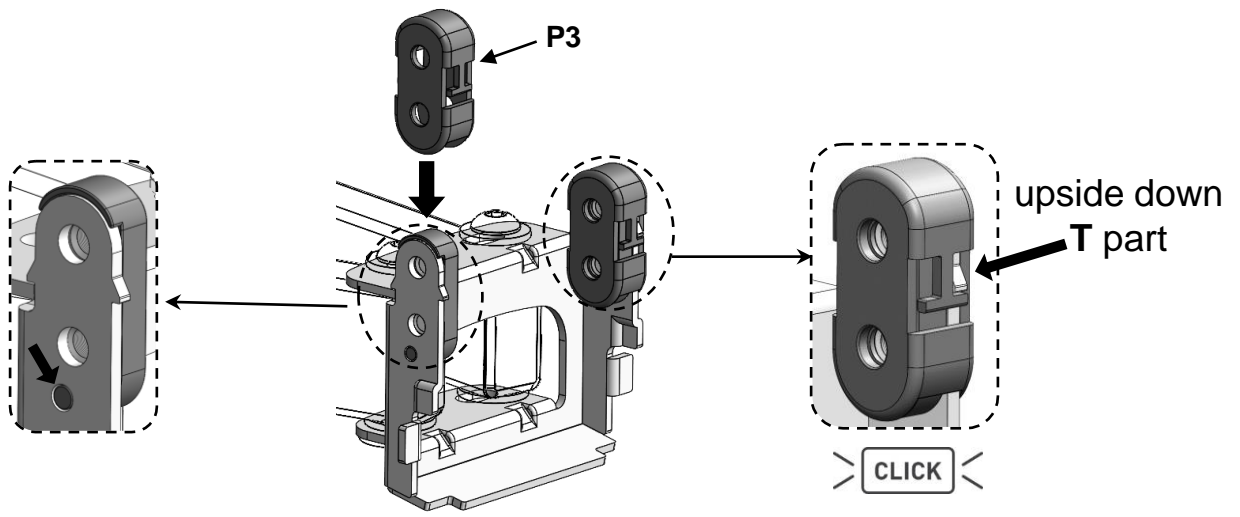
9 Place two nuts (Z8) in the nut-housing (P2).



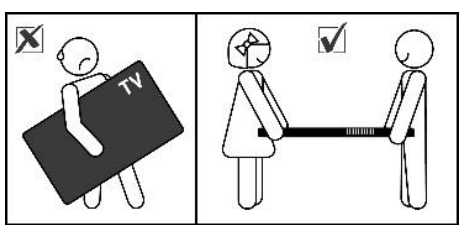
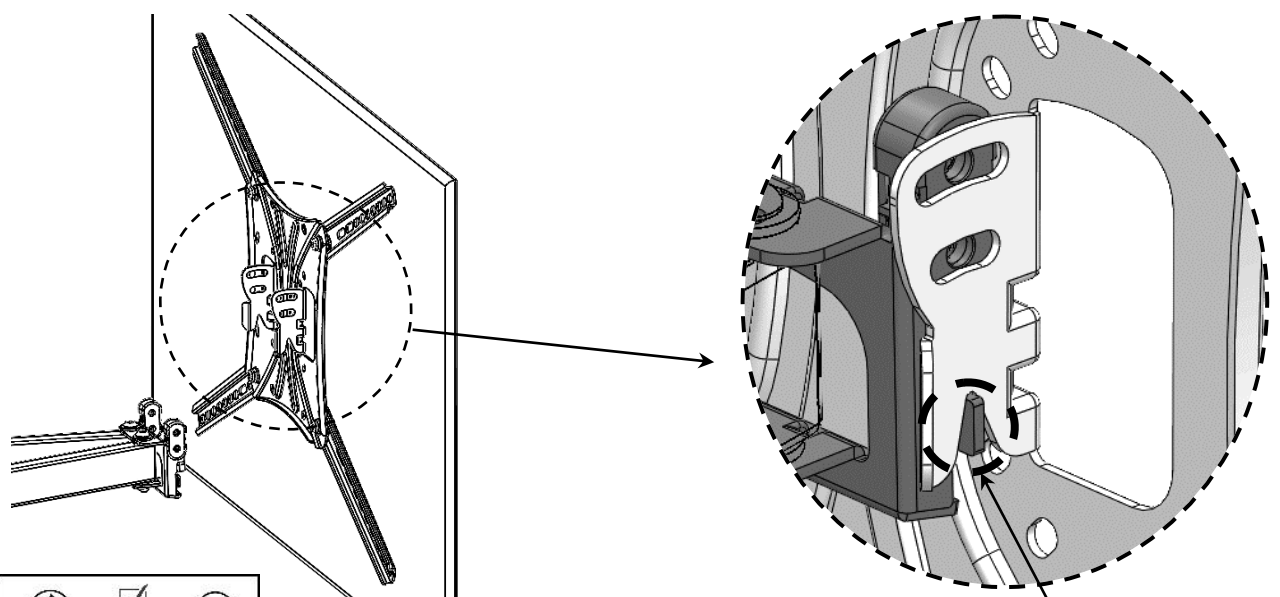
10 Assemble the nut-housing (P2) make sure that the tab is inserted into the slot.



11 Assemble part (P3) on the nut-housings (P2). push P3 down until the small part that looks like an upside down "T" passes the highlighted tooth.

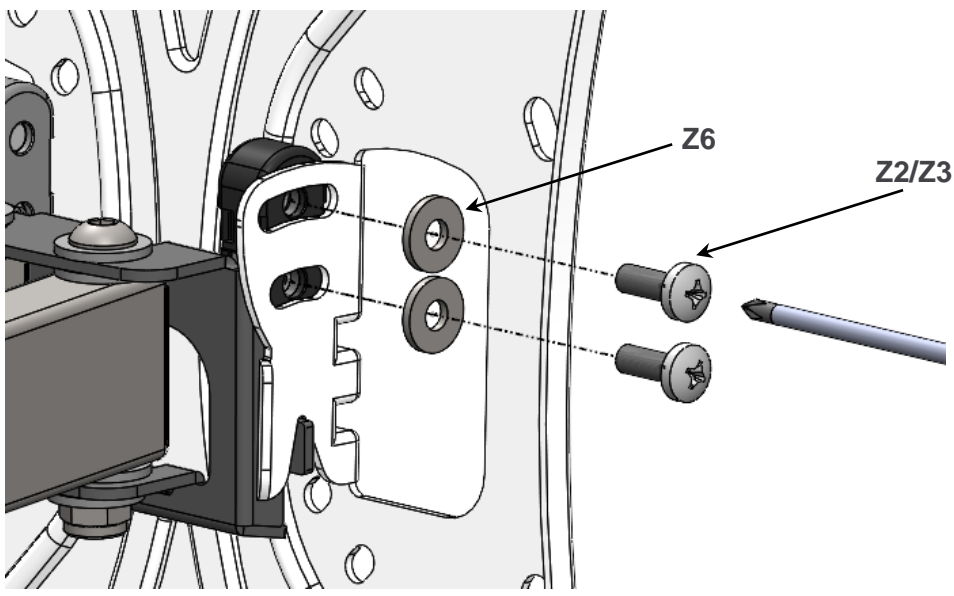


12 Place the bracket upright and connect the TV plate with the TV.

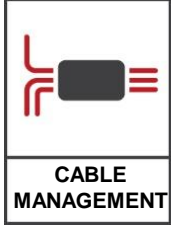
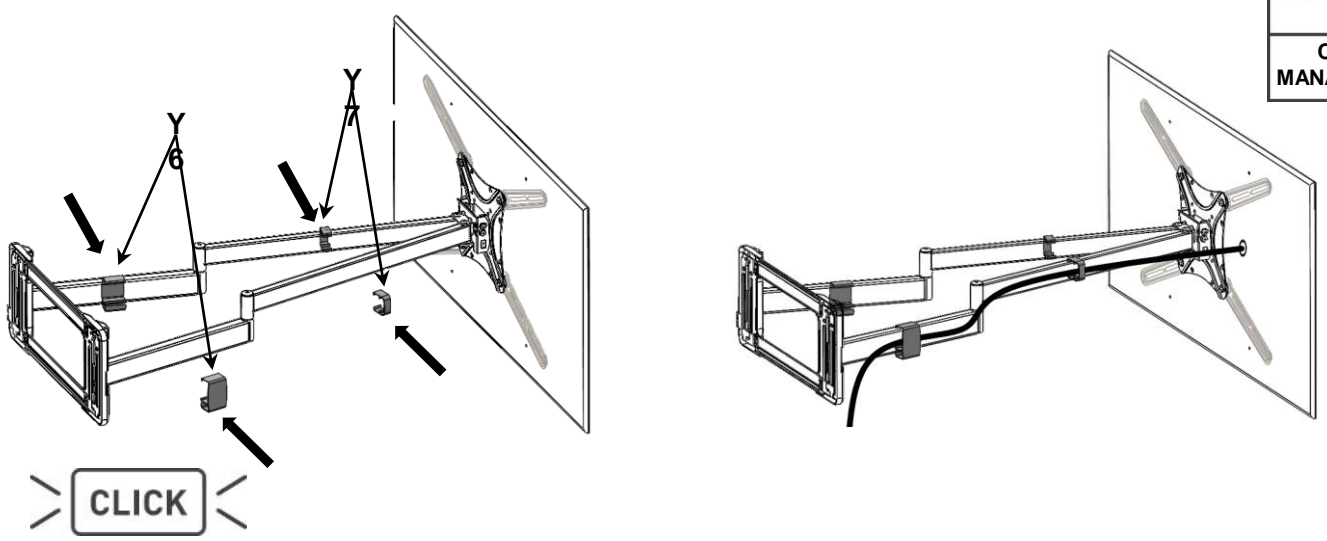


Make sure that the TV Plate slots are positioned properly on 2 small beams (Front Arms).

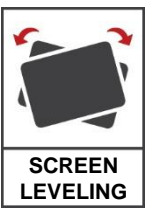
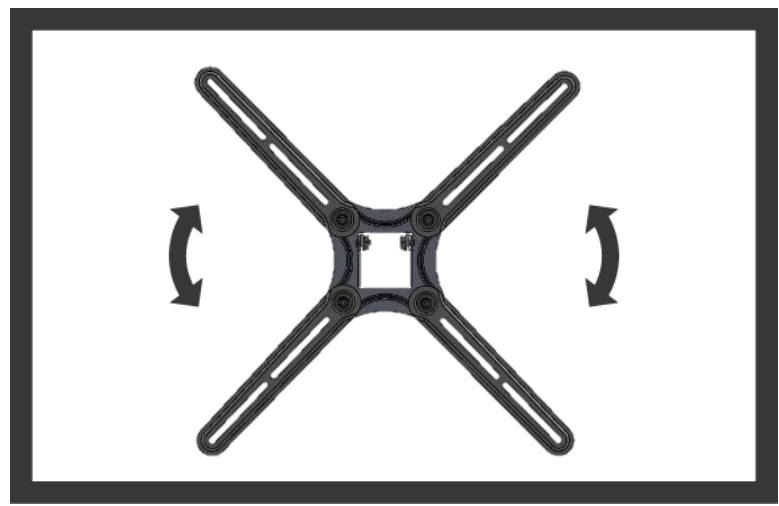
13 Insert and tighten the screws from both sides to create friction for the tilt mechanism. Adjust the TV tilt angle carefully.



14 Place the TV cables in the Cable Management.



15 Level the TV.



BACKSCREEN CONNECTION POSITIONING OPTIONS

1 75x75, 100x100,
100x200, 200x100, 200x200

2 300x200,
400x200, 600x200

3 200x100, 300x300,
400x300, 600x200, 600x300

4 300x300

5 300x300

6 200x300

7 300x300,
300x400, 400x400, 600x400

8 400x300, 600x400

www.barkanmounts.com/FAQ

Ovaj dokument je originalno proizveden i objavljen od strane proizvođača, brenda Barkan, i preuzet je sa njihove zvanične stranice. S obzirom na ovu činjenicu, Tehnoteka ističe da ne preuzima odgovornost za tačnost, celovitost ili pouzdanost informacija, podataka, mišljenja, saveta ili izjava sadržanih u ovom dokumentu.

Napominjemo da Tehnoteka nema ovlašćenje da izvrši bilo kakve izmene ili dopune na ovom dokumentu, stoga nismo odgovorni za eventualne greške, propuste ili netačnosti koje se mogu naći unutar njega. Tehnoteka ne odgovara za štetu nanесenu korisnicima pri upotrebi netačnih podataka. Ukoliko imate dodatna pitanja o proizvodu, ljubazno vas molimo da kontaktirate direktno proizvođača kako biste dobili sve detaljne informacije.

Za najnovije informacije o ceni, dostupnim akcijama i tehničkim karakteristikama proizvoda koji se pominje u ovom dokumentu, molimo posetite našu stranicu klikom na sledeći link:

<https://tehnoteka.rs/p/zidni-nosac-za-tv-barkan-bm464xl-akcija-cena/>