

Uputstvo za montažu i instalaciju (EN)

Zidni nosač za TV BARKAN BM400T



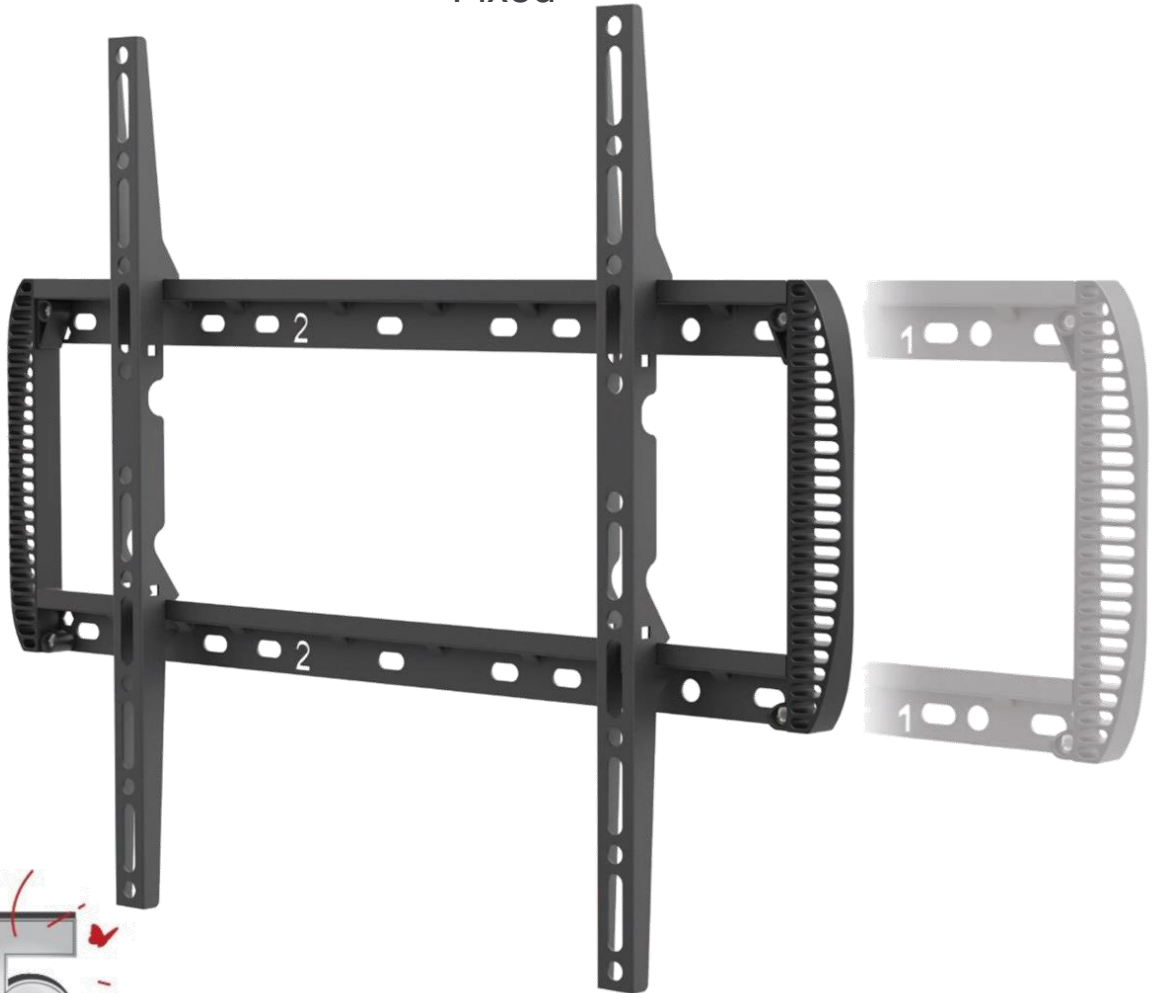
Tehnoteka je online destinacija za upoređivanje cena i karakteristika bele tehnike, potrošačke elektronike i IT uređaja kod trgovinskih lanaca i internet prodavnica u Srbiji. Naša stranica vam omogućava da istražite najnovije informacije, detaljne karakteristike i konkurentne cene proizvoda.

Posetite nas i uživajte u ekskluzivnom iskustvu pametne kupovine klikom na link:

<https://tehnoteka.rs/p/zidni-nosac-za-tv-barkan-bm400t-akcija-cena/>

TV Wall Mount

Fixed

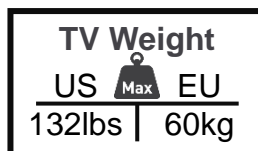


Download Assembly Instructions with Text

For more information: barkanmounts.com

If you are satisfied with the product, please give us a 5 stars ☆☆☆☆☆ rating on the website you bought it from. If you are not satisfied please contact us at <https://www.barkanmounts.com/support> and we will solve the problem for you.

0BM400T-MAN-ONL-2304



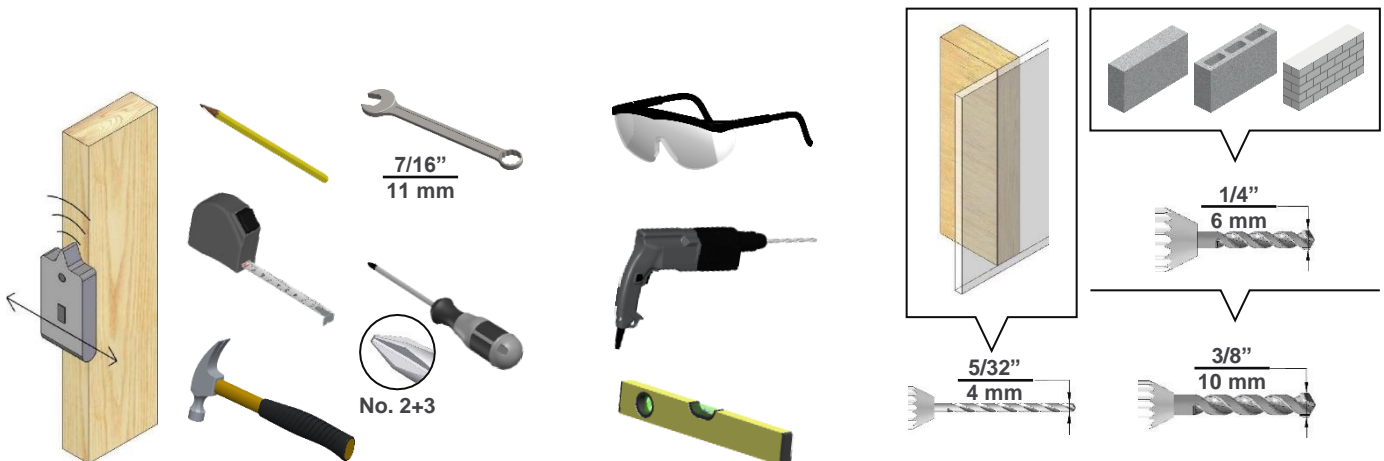
Safety instructions and installation warnings (provided separately) must be read in full, prior to assembly.

Included Parts not to scale

<p>A Wall rail 1</p>  <p>x2</p>	<p>B Wall rail 2</p>  <p>x2</p>	<p>C TV rail</p>  <p>x2</p>
<p>Z4 Metal washer</p>  <p>x4</p>	<p>Z7 Plastic spacer</p>  <p>x8</p>	<p>W1 Metal washer</p>  <p>x5</p>
<p>W2 Anchor</p>  <p>x5</p>	<p>W3 Screw</p>  <p>x5</p>	
<p>Y1 Vertical Connector</p>  <p>x2</p>		<p>Y2</p>  <p>x8</p>
<p>Y3 Small washer</p>  <p>x4</p>	<p>Y4</p>  <p>x4</p>	<p>Y5</p>  <p>x4</p>

#	M	L mm	L inch	pcs
Z1	6	16	5/8	4
Z2	6	25	1	4
Z3	4	20	3/4	4
Z5	8	25	1	4
Z6	8	45	1 3/4	4

Required Tools



$\frac{7}{16}$ "
11 mm

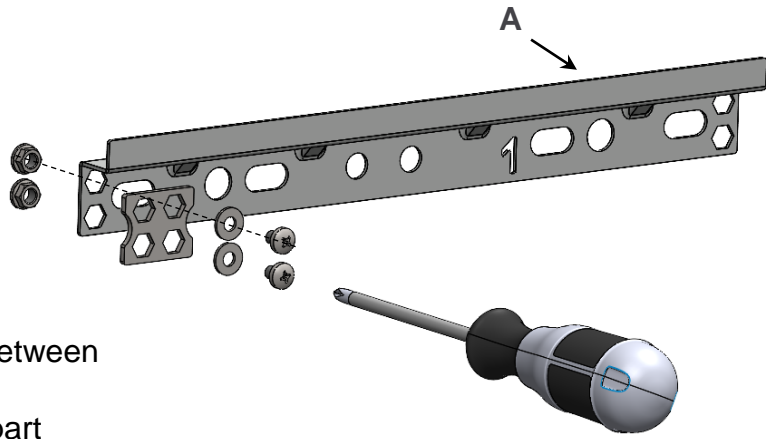
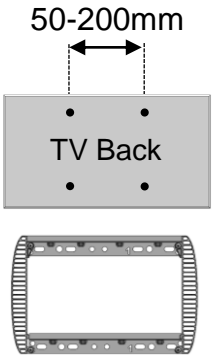
No. 2+3

$\frac{5}{32}$ "
4 mm

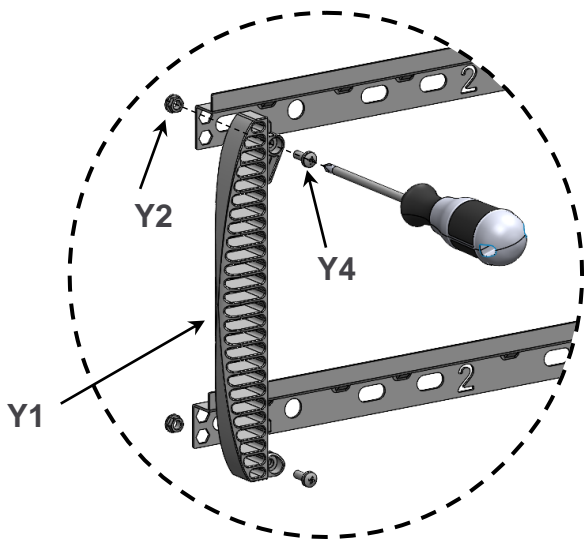
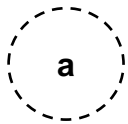
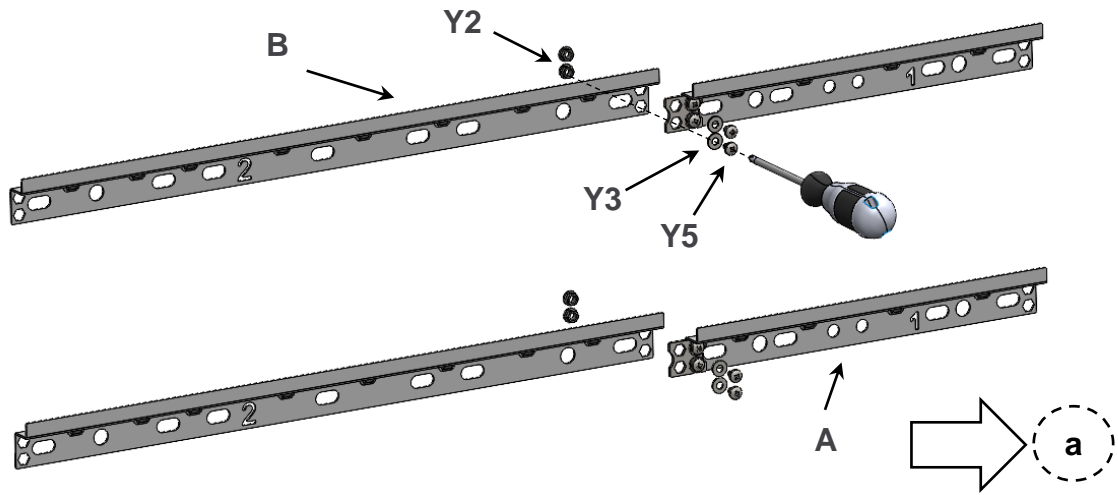
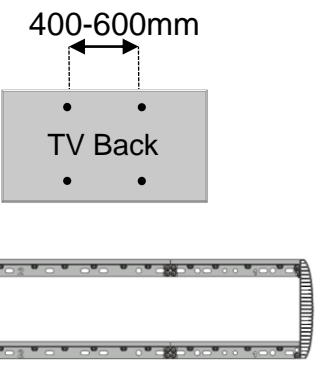
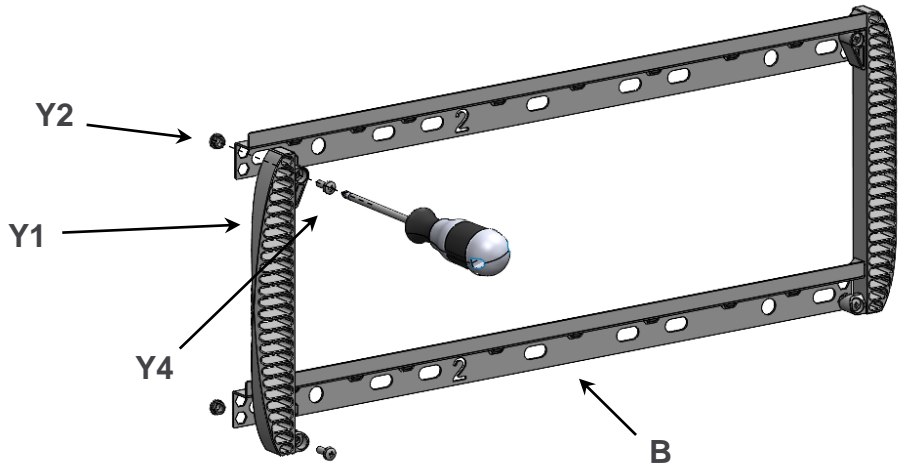
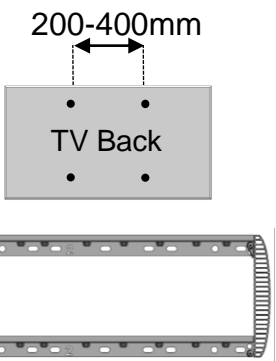
$\frac{1}{4}$ "
6 mm

$\frac{3}{8}$ "
10 mm


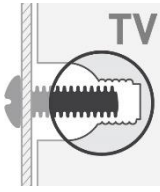
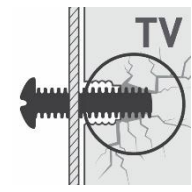

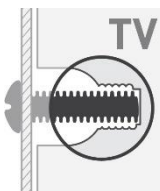
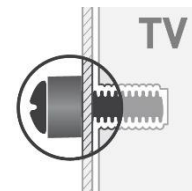
Assemble the Wall rails according to the distance between the TV's horizontal mounting holes in order to create the required wall plate



For TVs with 50-200mm distance between the TV's horizontal mounting holes, disassemble the small connecting part

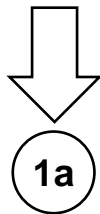
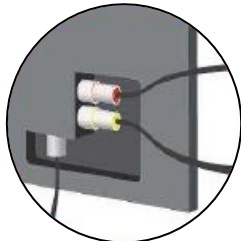


Connect the TV rails to the back of the TV

<p>Wrong</p> 		
<p>Right</p> 		
<p>Purchase longer screws</p>		<p>Use the spacers (Z7) in order to adjust the screws length inside the TV</p>

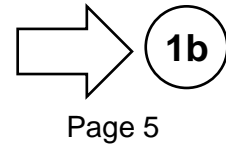
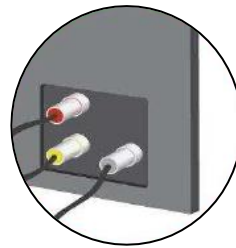
1 Follow the steps according to your TV's cable connection type.

parallel to the wall



1a

perpendicular to the wall



1b

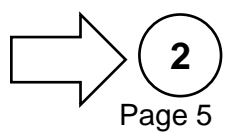
Page 5

1a Connect the TV rails (C) to the back of the TV at all 4 connection holes, and place the plastic spacers (Z7) above the TV rails. Choose the bolt that fits the TV's mounting holes diameter.

NO FORCE

TV UP

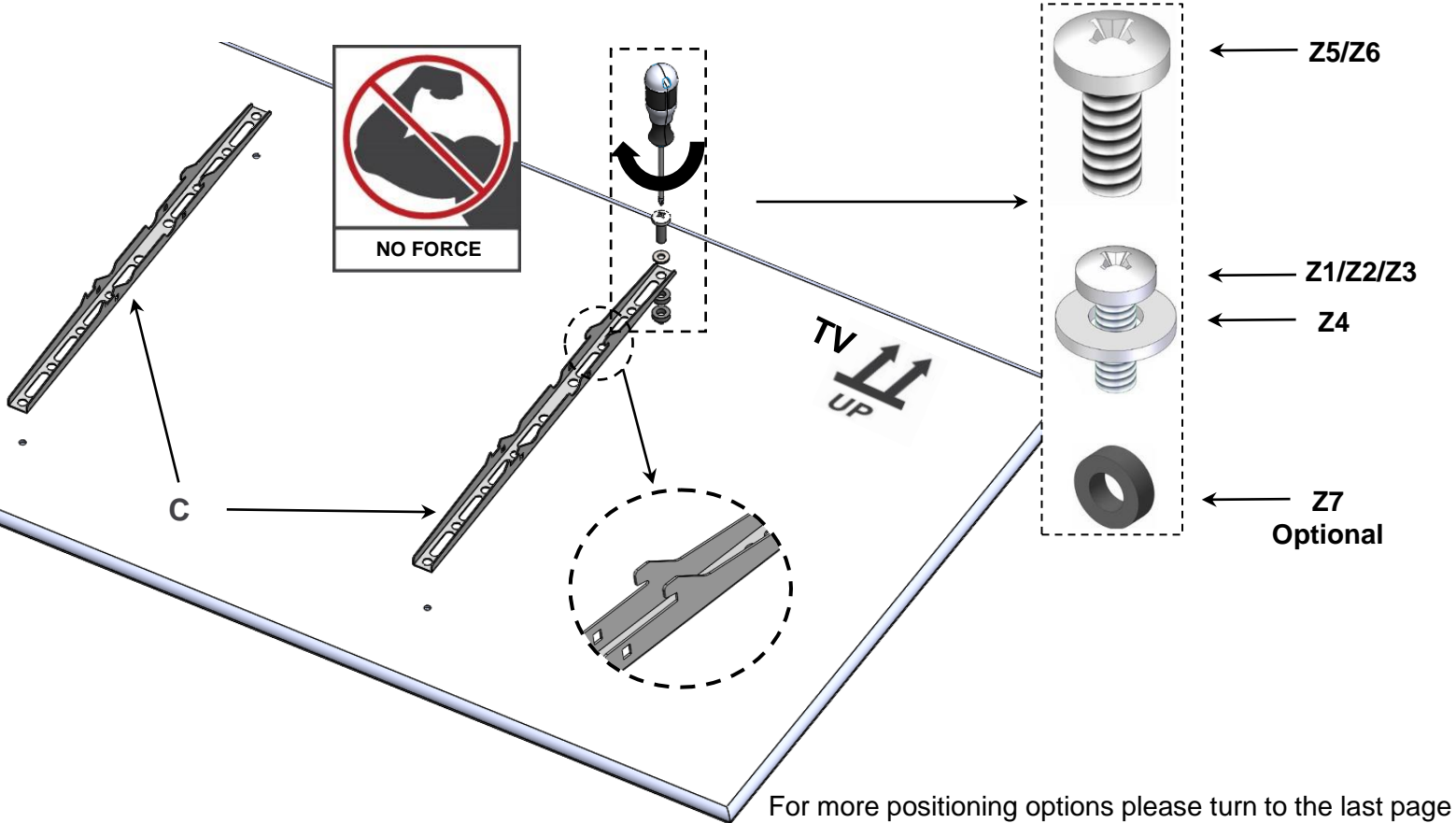
- Z5/Z6
- Z1/Z2/Z3
- Z4
- Z7 Optional



2

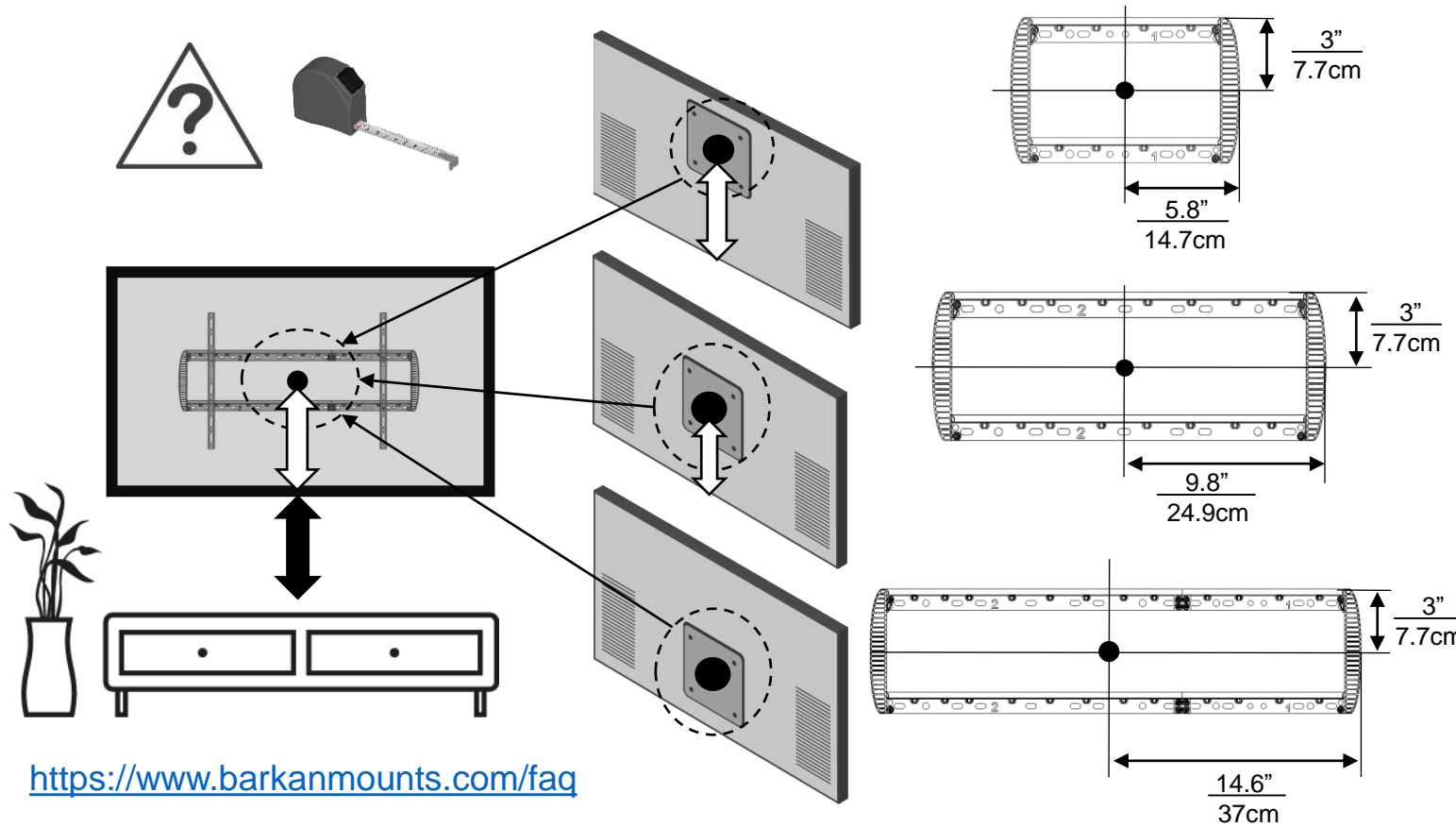
Page 5

- 1b** Connect the TV rails (C) to the back of TV at all 4 connection holes, and place the plastic spacers (Z7) under the TV rails. Choose the screw that fits the TV's mounting holes diameter.



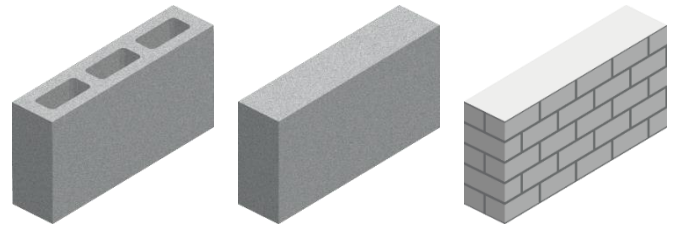
2 Install the Wall plate on the Wall

In order to set the desired height of the TV, measure the distance between the center of the TV's mounting holes and the bottom of the TV



3

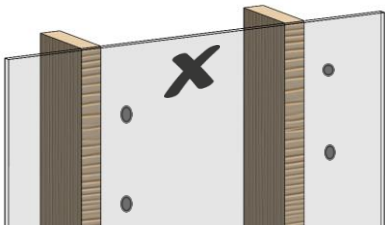
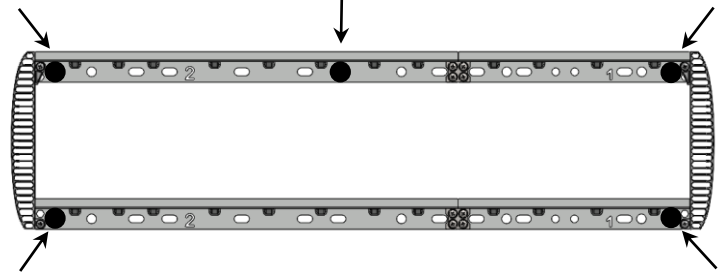
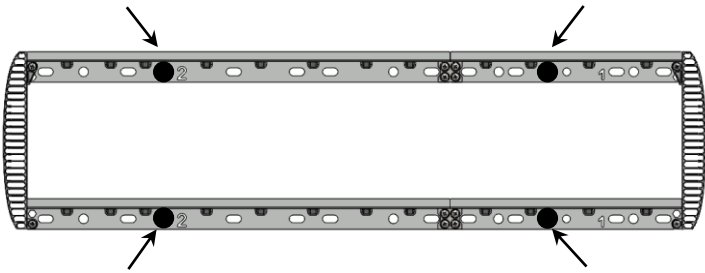
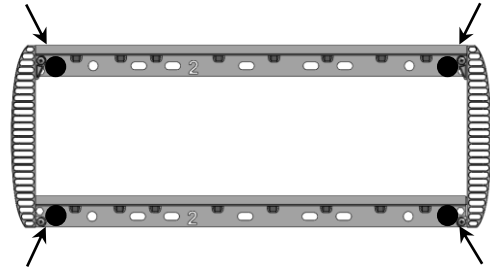
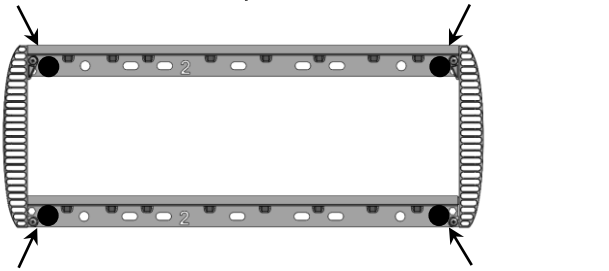
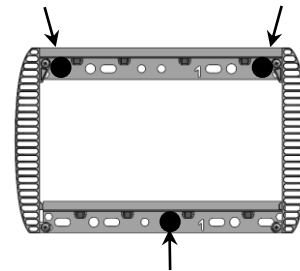
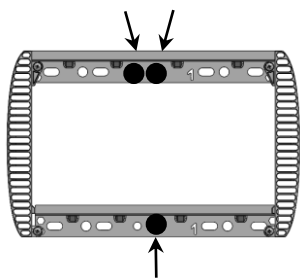
Follow the steps according to your wall type



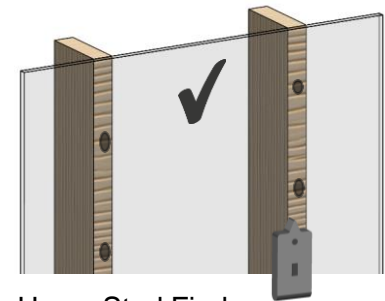
Mark the correct drilling points on the wall according to the wall plate width



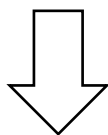
+



Make sure all holes are drilled inside the studs



Use a Stud Finder

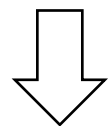


3a

Page 7



Make sure there are no electrical/water lines in the wall before drilling and then drill according to the markings

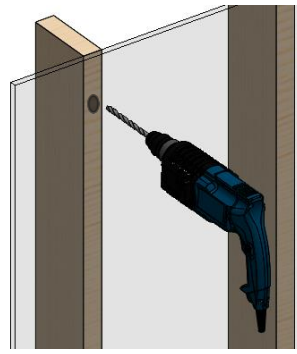
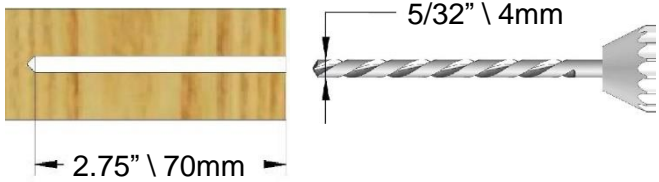


3b

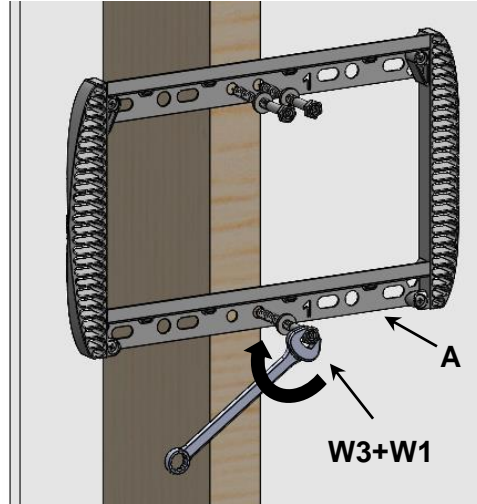
Page 8

3a

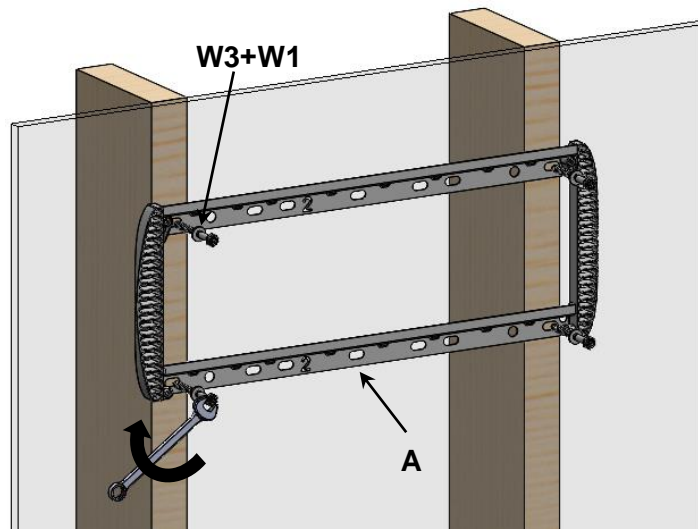
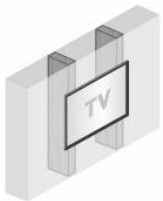
Drill with 5/32" \ 4mm drill bit



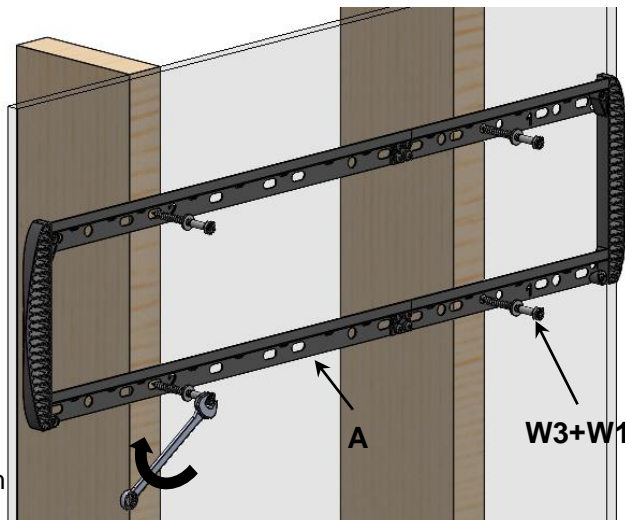
0-200mm (single stud) installation



200-400mm installation

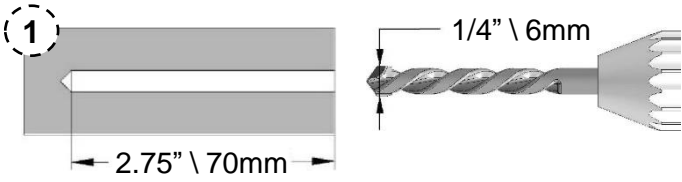


400-600mm installation

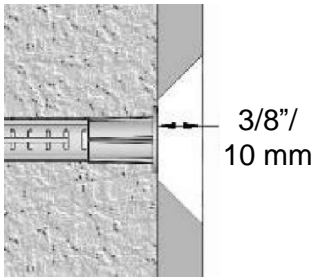
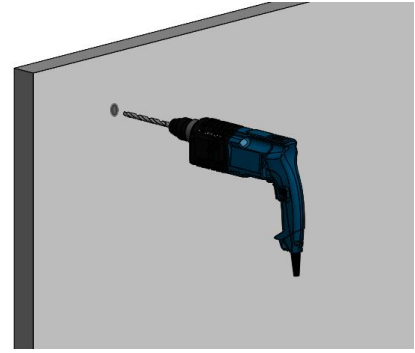
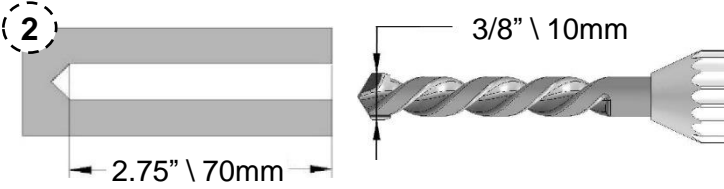


3b

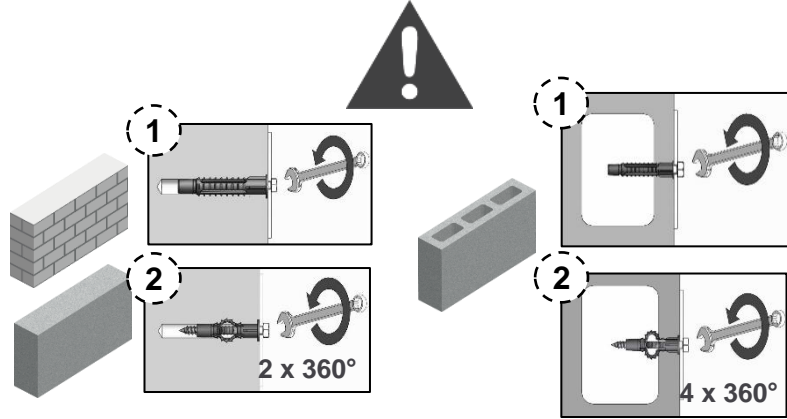
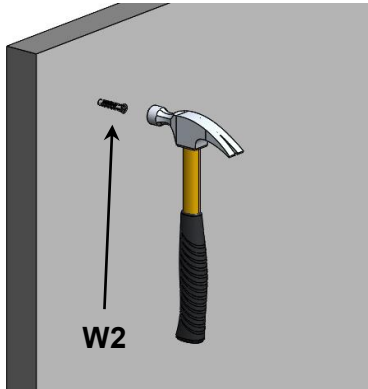
First use 1/4" \ 6mm drill bit



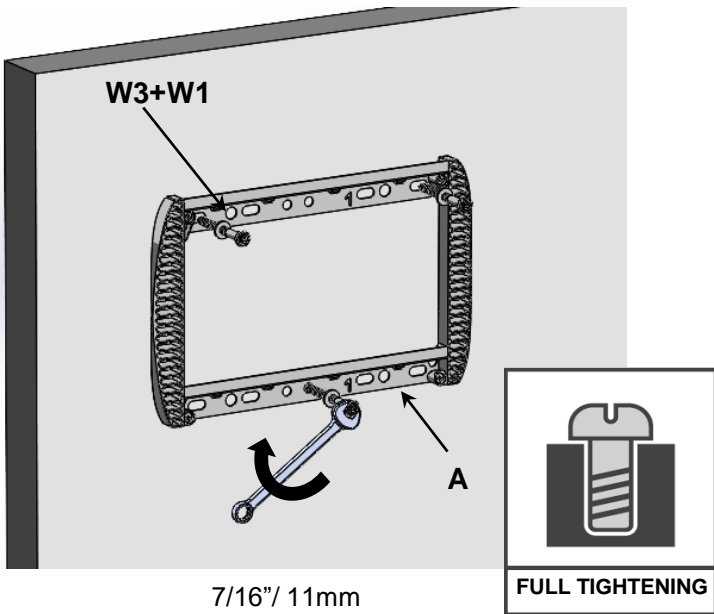
Afterwards use 3/8" \ 10mm drill bit



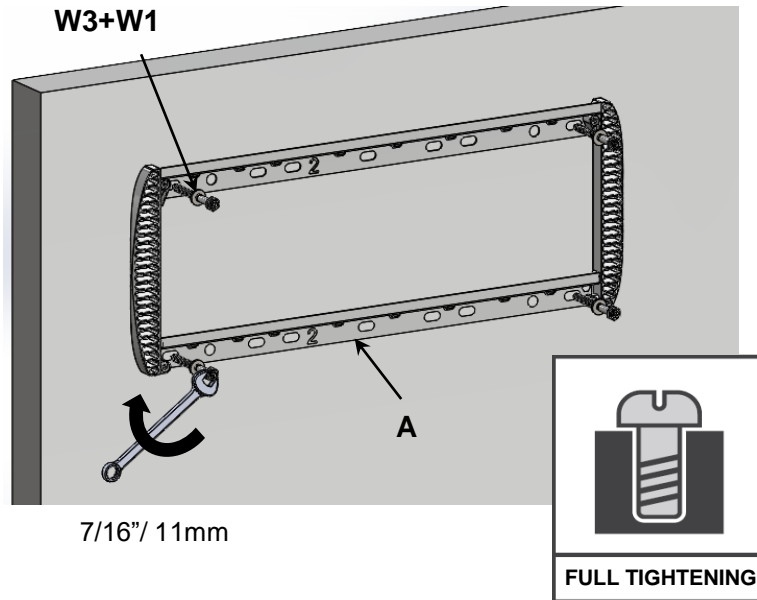
The anchor must be sunk at least 3/8"/10 mm into the plaster coating



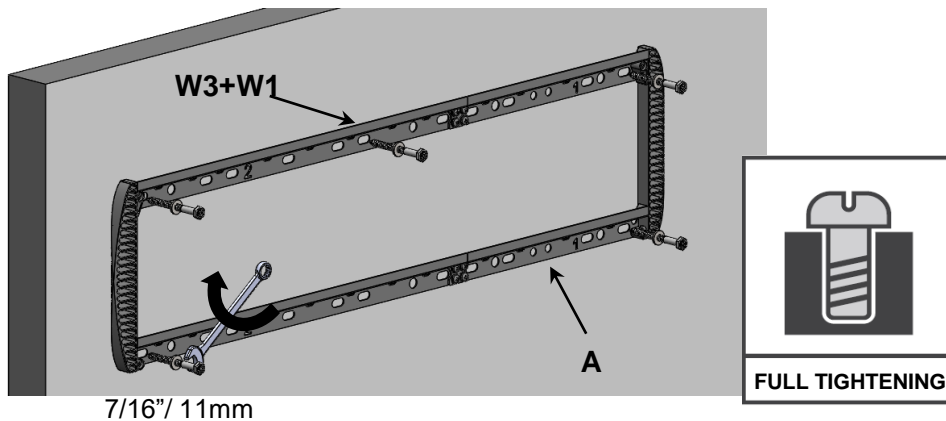
0-200mm installation



0-400mm installation

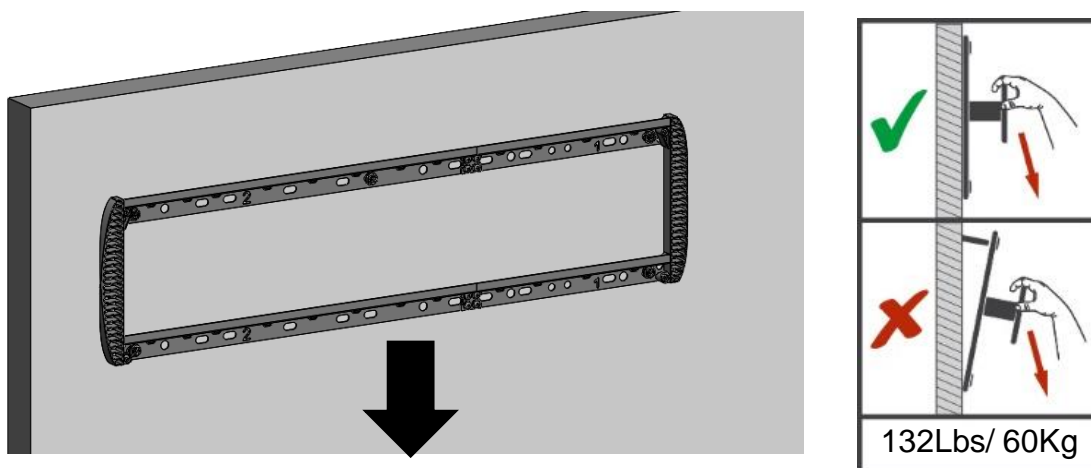


400-600mm installation

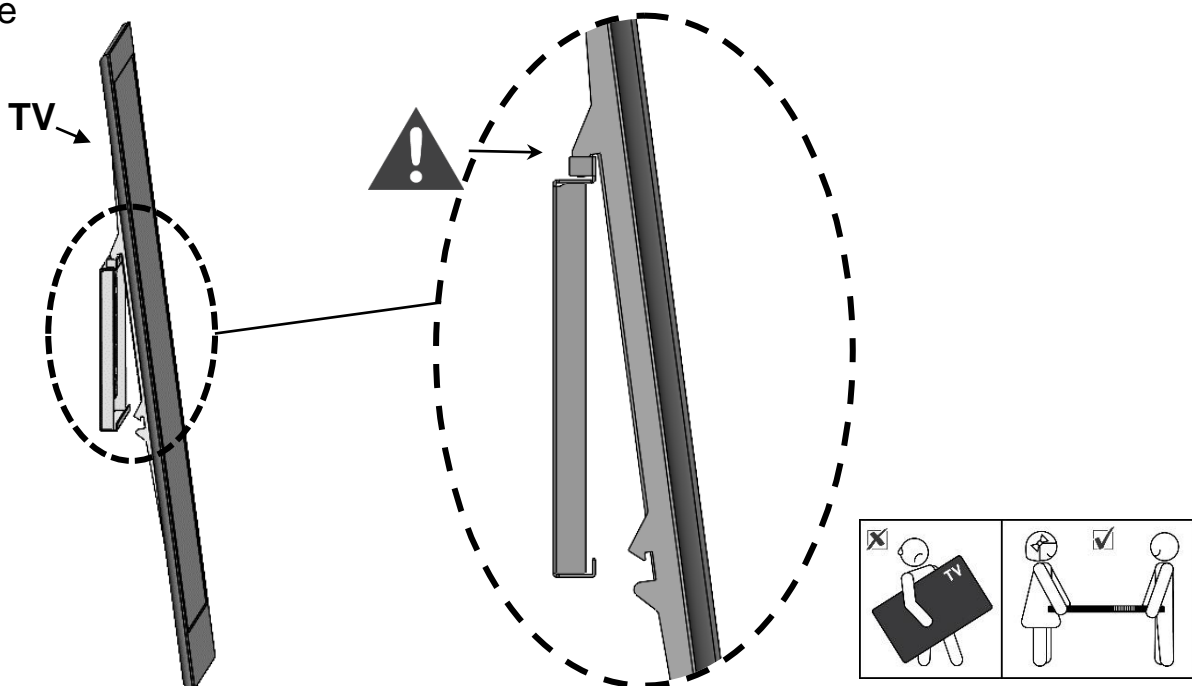


4 Weight test

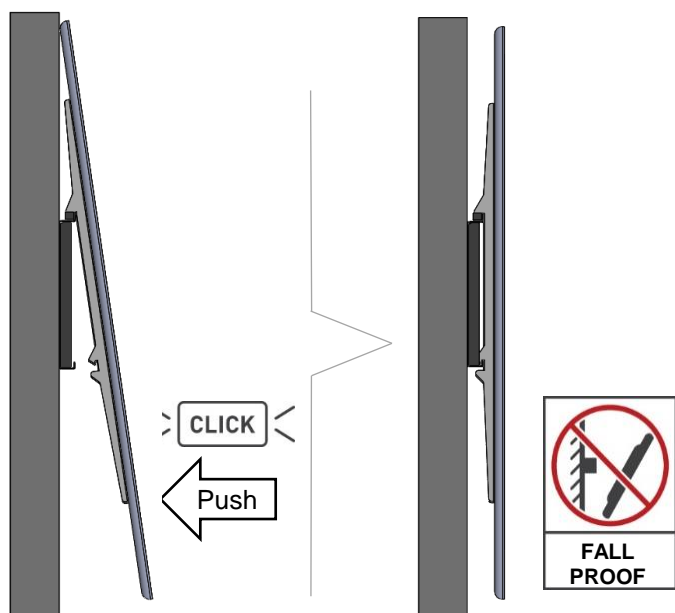
Apply force on the upper part of the Wall plate and make sure it is well connected



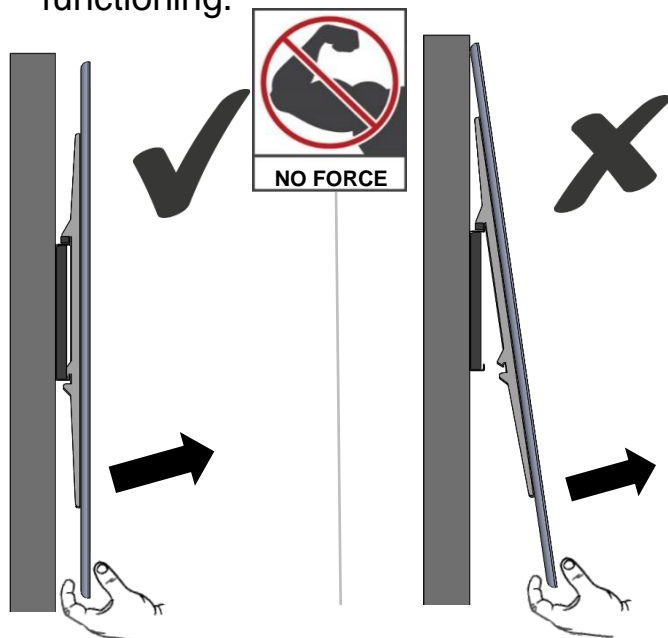
5 Connect the TV to the wall plate by hooking the upper part of the TV rails on the wall plate



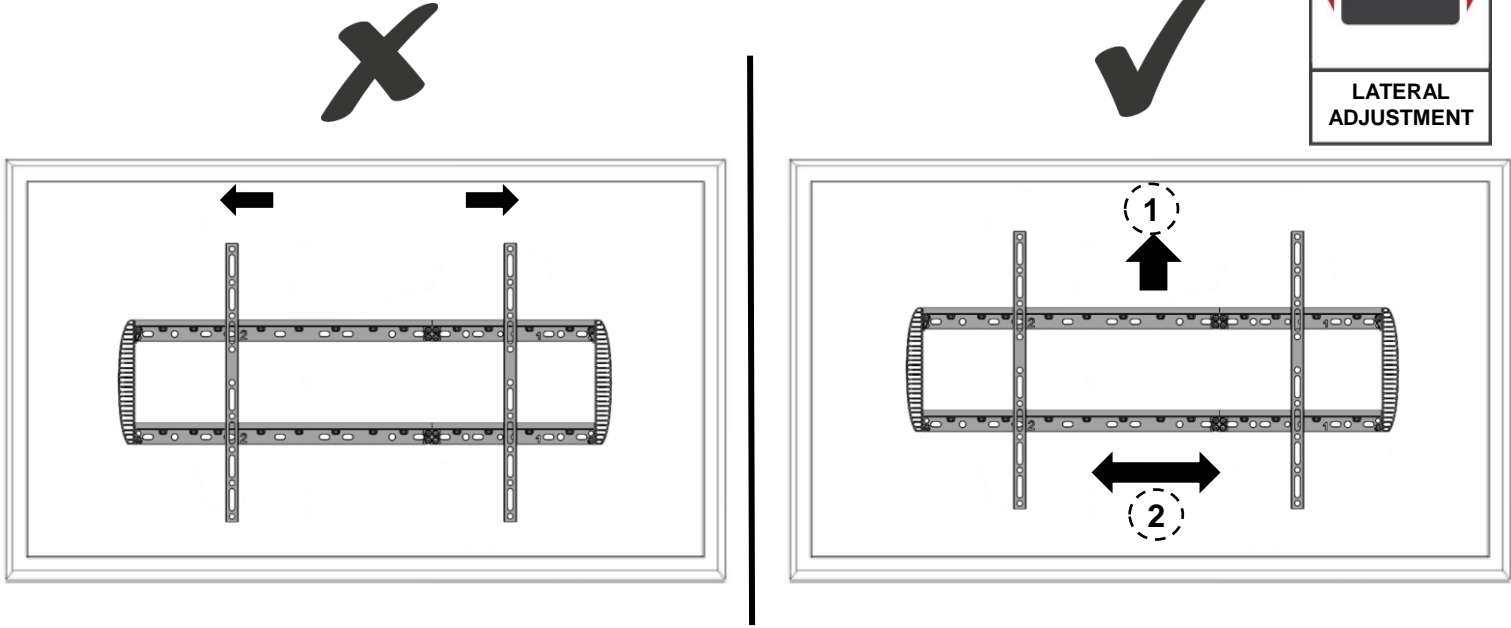
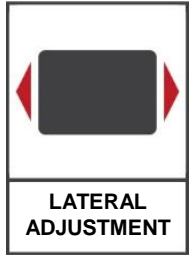
6 Push slightly until you hear a "click".



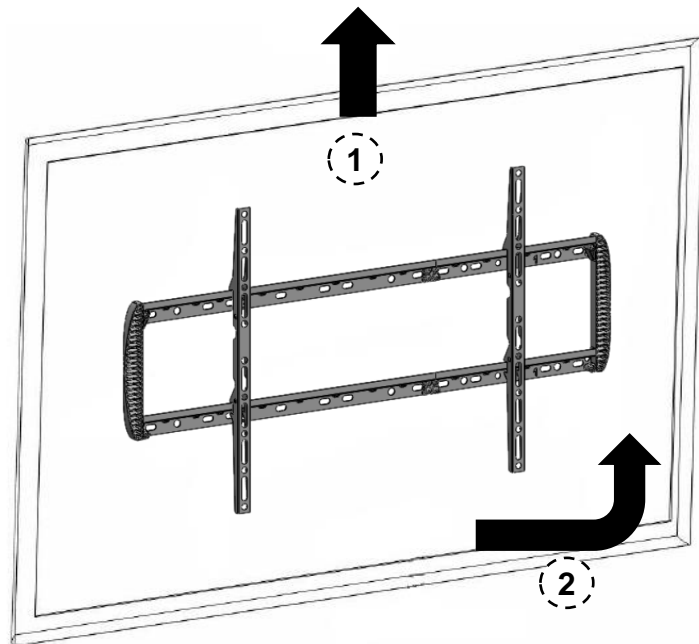
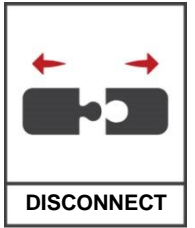
7 Test if the auto-lock mechanism is functioning.



8 To adjust the lateral position, first lift the screen and then move it to the required position.

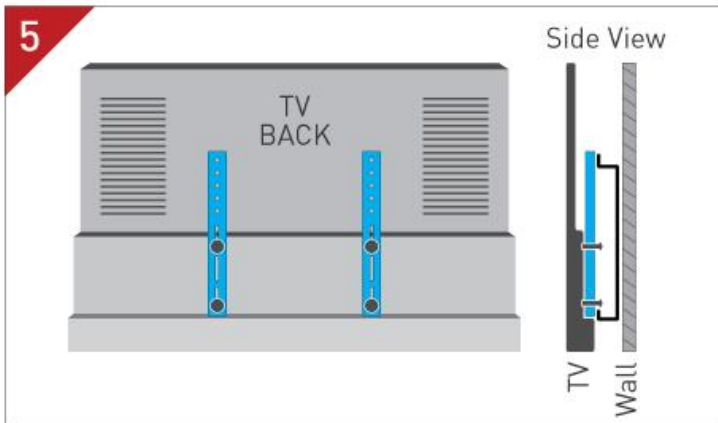
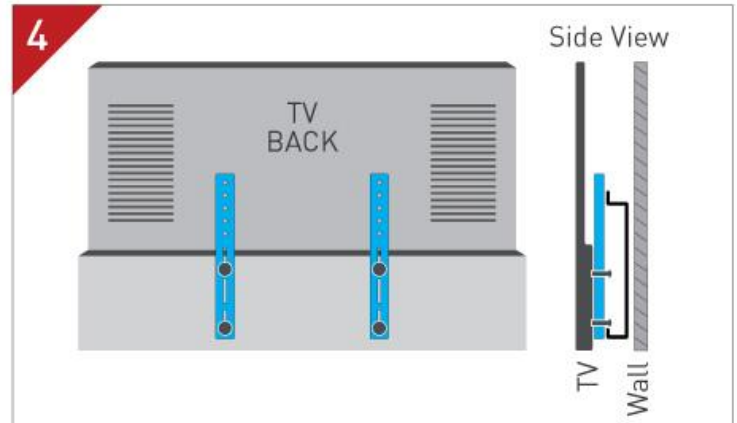
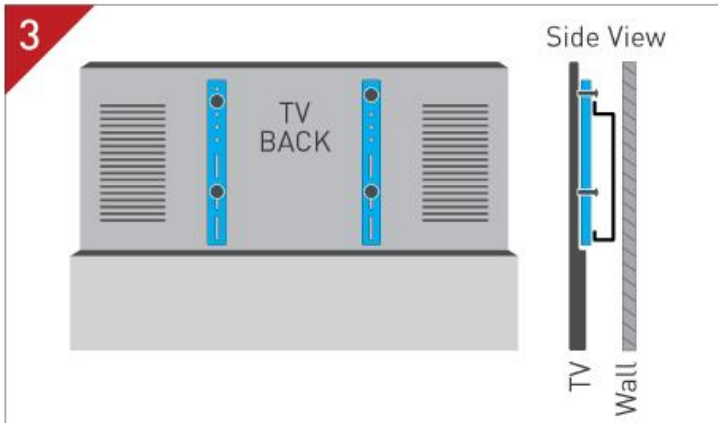
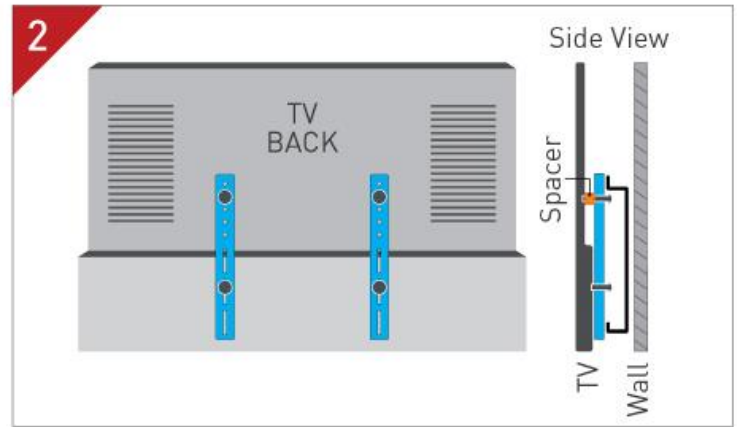
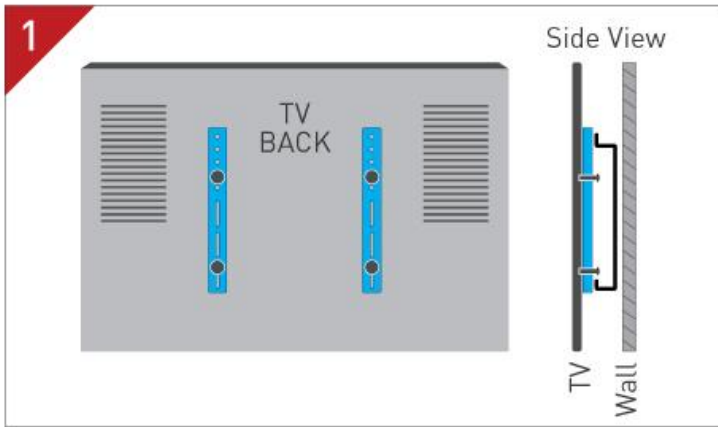


9 To disconnect the TV, lift it up gently and pull it out.



BACKSCREEN CONNECTION POSITIONING OPTIONS

A few sizes of vertical rails (marked in blue) for TV backscreen connections are available. The positions are (Width x Height) 75x75 - 600x400 millimeters.



If your backscreen connections are not included in any of the positions, please contact us

www.barkanmounts.com/support

Ovaj dokument je originalno proizveden i objavljen od strane proizvođača, brenda Barkan, i preuzet je sa njihove zvanične stranice. S obzirom na ovu činjenicu, Tehnoteka ističe da ne preuzima odgovornost za tačnost, celovitost ili pouzdanost informacija, podataka, mišljenja, saveta ili izjava sadržanih u ovom dokumentu.

Napominjemo da Tehnoteka nema ovlašćenje da izvrši bilo kakve izmene ili dopune na ovom dokumentu, stoga nismo odgovorni za eventualne greške, propuste ili netačnosti koje se mogu naći unutar njega. Tehnoteka ne odgovara za štetu nanесenu korisnicima pri upotrebi netačnih podataka. Ukoliko imate dodatna pitanja o proizvodu, ljubazno vas molimo da kontaktirate direktno proizvođača kako biste dobili sve detaljne informacije.

Za najnovije informacije o ceni, dostupnim akcijama i tehničkim karakteristikama proizvoda koji se pominje u ovom dokumentu, molimo posetite našu stranicu klikom na sledeći link:

<https://tehnoteka.rs/p/zidni-nosac-za-tv-barkan-bm400t-akcija-cena/>