

## Uputstvo za montažu i instalaciju (EN)

Zidni nosač za TV BARKAN 2200.B



Tehnoteka je online destinacija za upoređivanje cena i karakteristika bele tehnike, potrošačke elektronike i IT uređaja kod trgovinskih lanaca i internet prodavnica u Srbiji. Naša stranica vam omogućava da istražite najnovije informacije, detaljne karakteristike i konkurentne cene proizvoda.

Posetite nas i uživajte u ekskluzivnom iskustvu pametne kupovine klikom na link:

<https://tehnoteka.rs/p/zidni-nosac-za-tv-barkan-2200b-akcija-cena/>

## TV Wall Mount

Swivel & Tilt

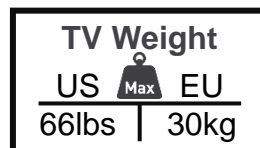


Download Assembly Instructions with Text

For more information: [barkanmounts.com](http://barkanmounts.com)

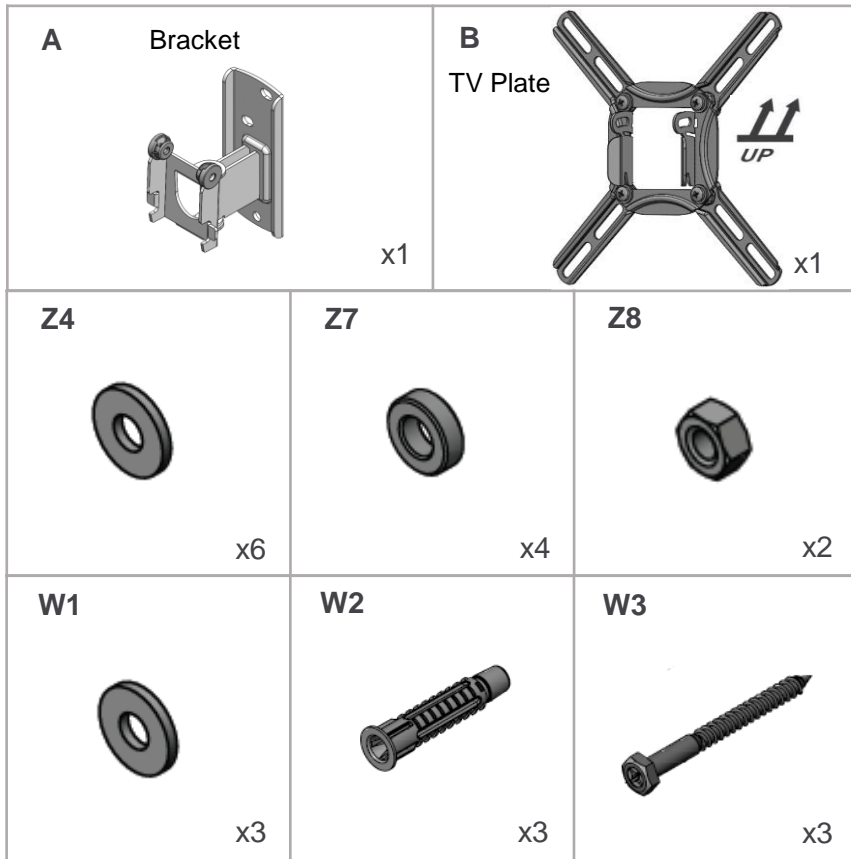
If you are satisfied with the product, please give us a 5 stars ★★★★★ rating on the website you bought it from. If you are not satisfied please contact us at <https://www.barkanmounts.com/support> and we will solve the problem for you.

2200-MAN-ONL-2304



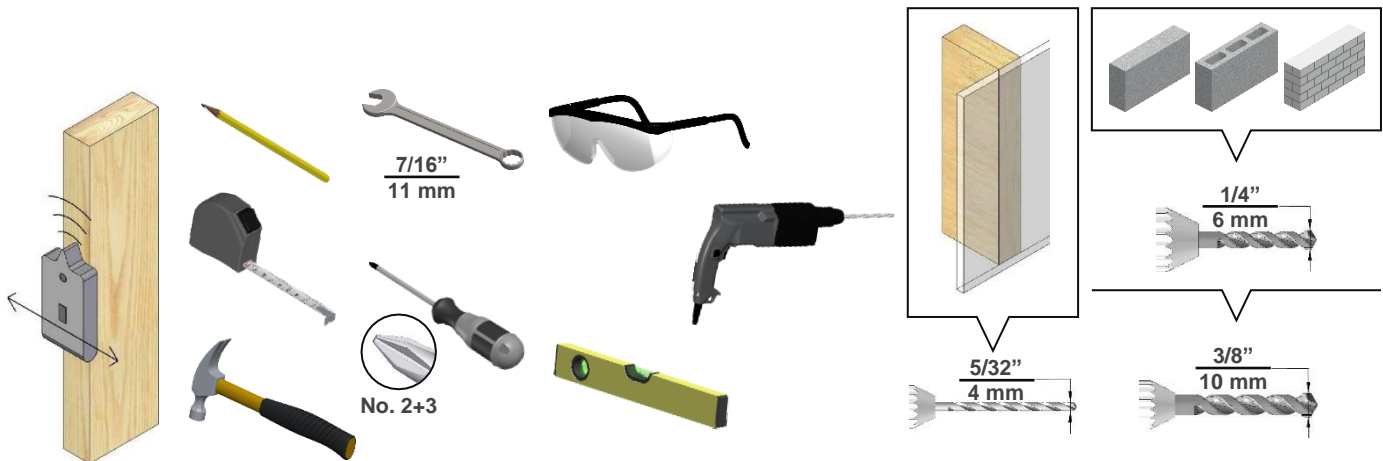
**Safety instructions and installation warnings (provided separately) must be read in full, prior to assembly.**

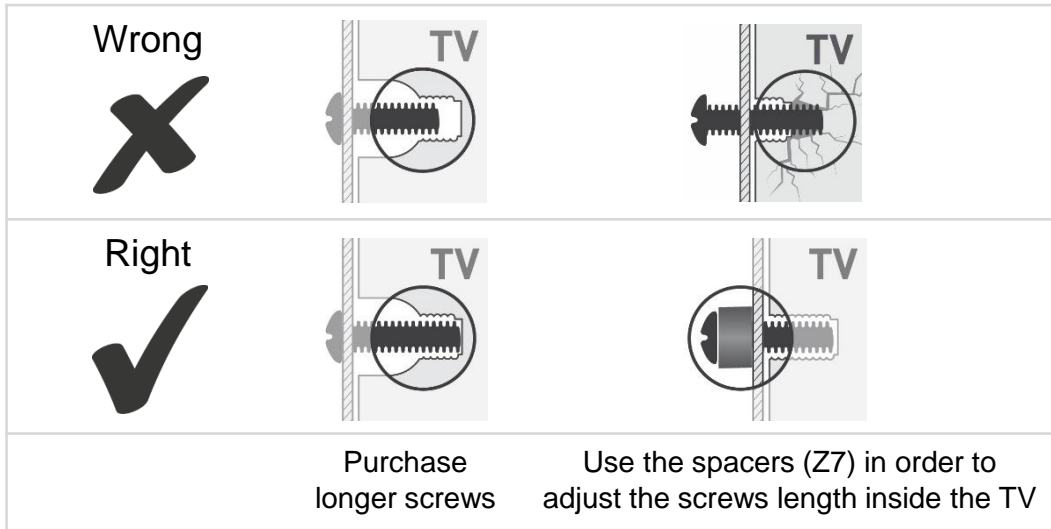
# Included Parts not to scale



#	M	L mm	L inch	pcs
<b>Z1</b>	6	16	5/8	4
<b>Z2</b>	6	25	1	4
<b>Z3</b>	4	20	3/4	4
<b>Z5</b>	8	25	1	4
<b>Z6</b>	8	45	1 3/4	4

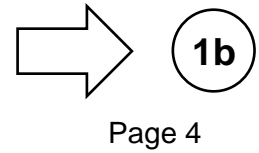
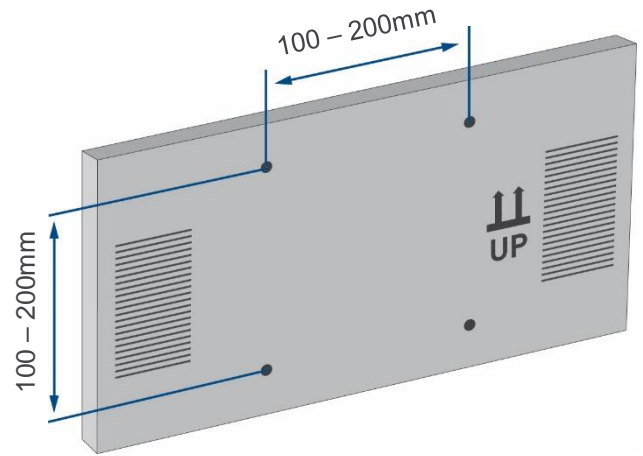
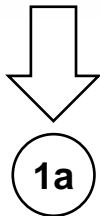
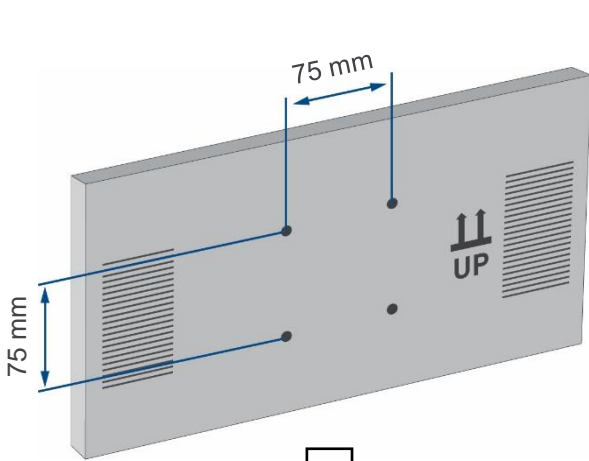
## Required Tools





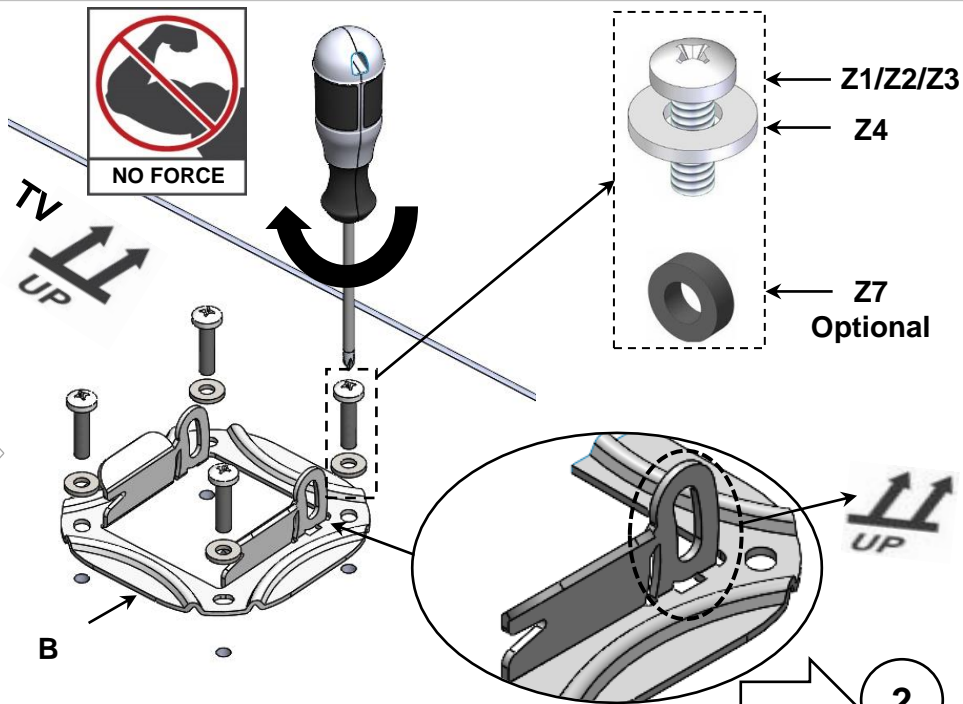
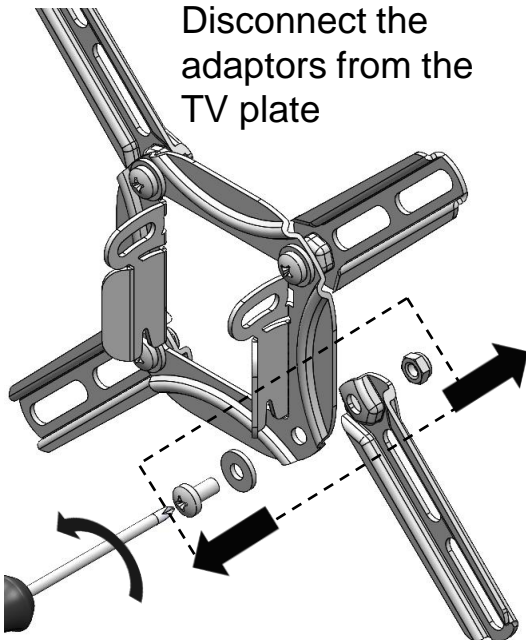
1

Continue according to your TV mounting hole pattern



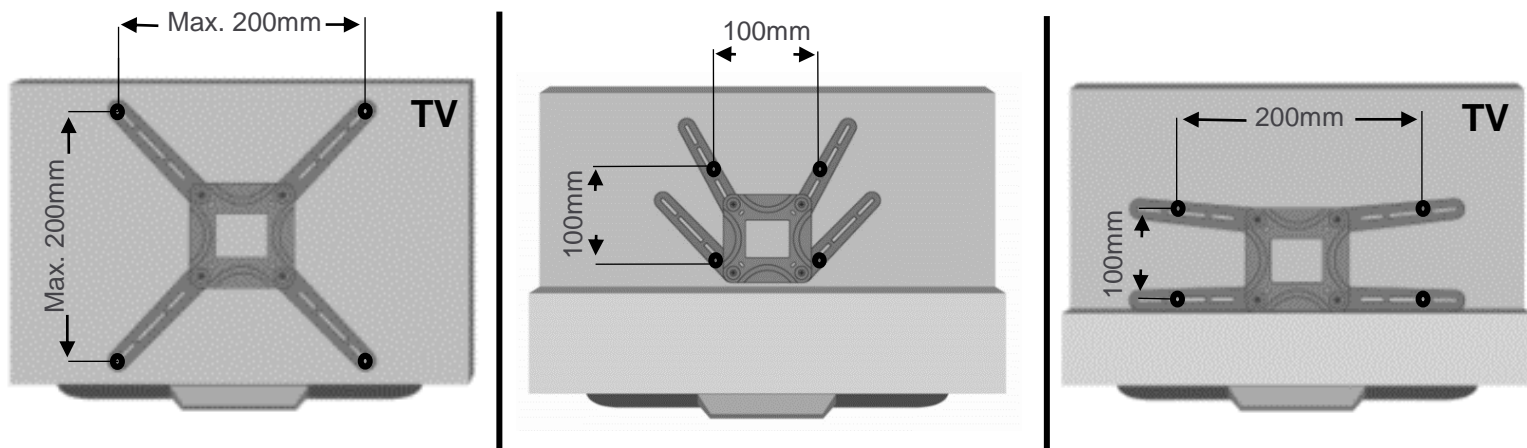
1a 75x75 mm hole pattern

Disconnect the adaptors from the TV plate



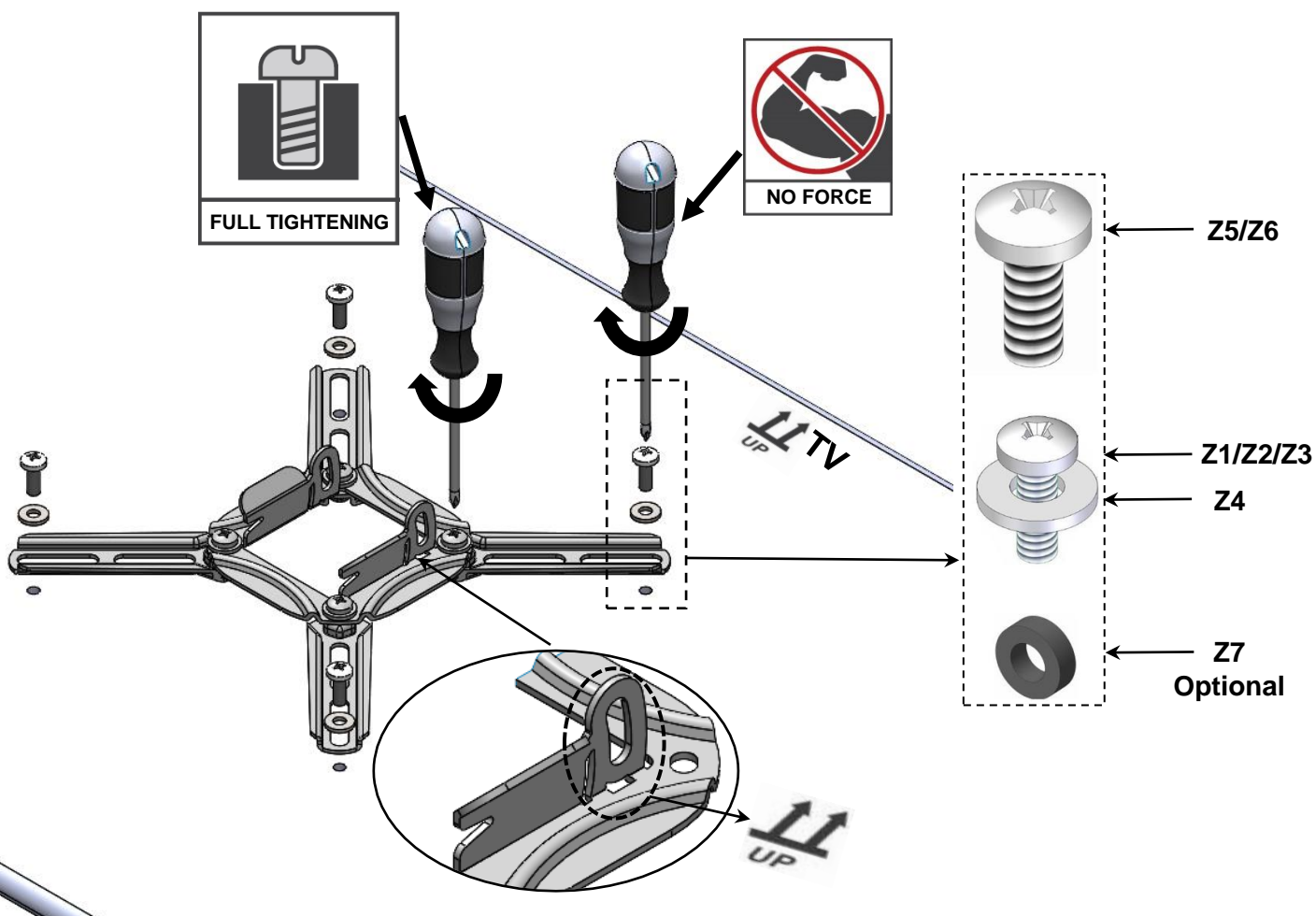
**1b** 100x100 mm up to 200x200 mm hole pattern

Position the Adaptors according to your TV's hole pattern



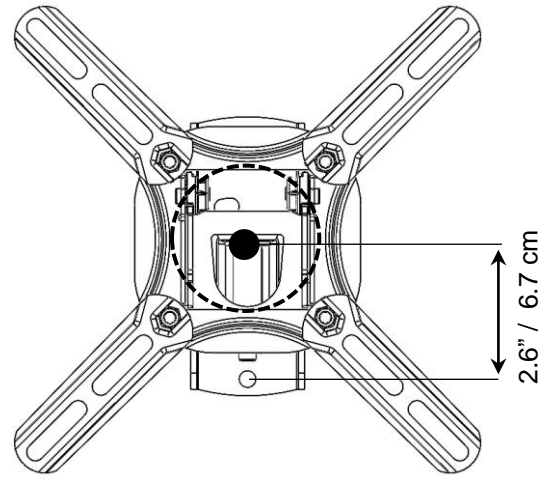
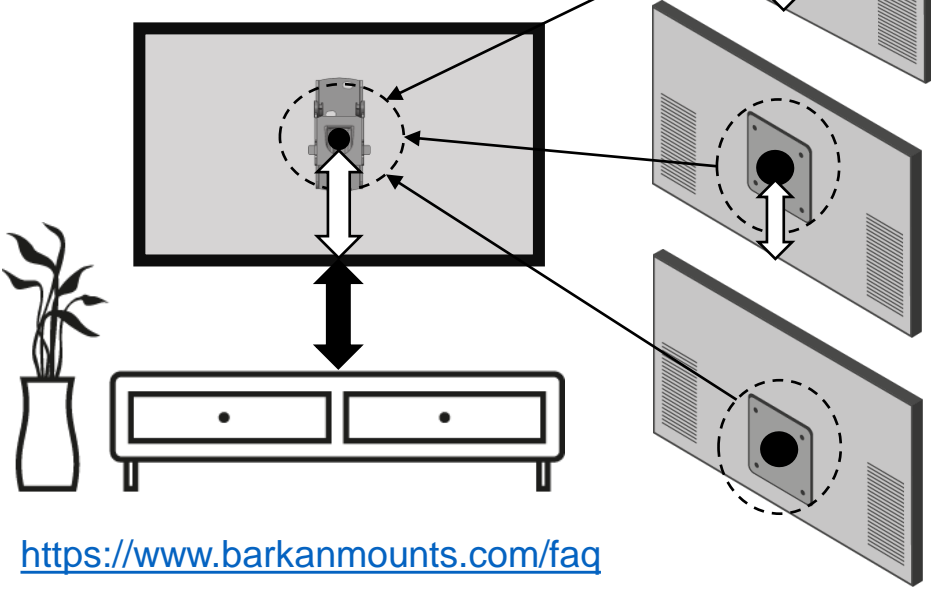
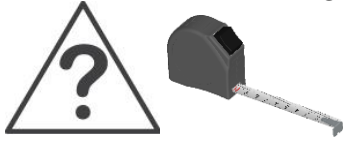
For more positioning options please turn to the last page

Connect the TV Plate with the Adaptors to the TV in all 4 connection holes



2

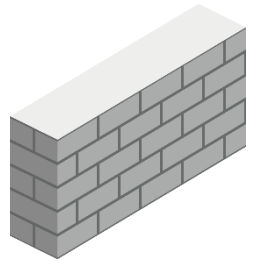
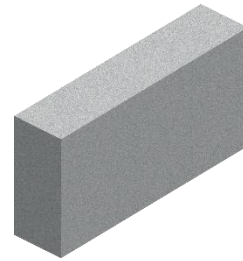
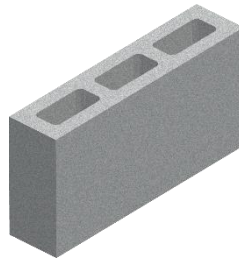
Measure the distance between the location of the TV's mounting holes' center (marked on the Drilling Template) and the bottom of the TV, in order to set the required height of the TV



<https://www.barkanmounts.com/faq>

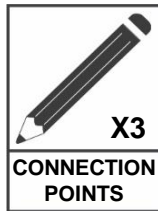
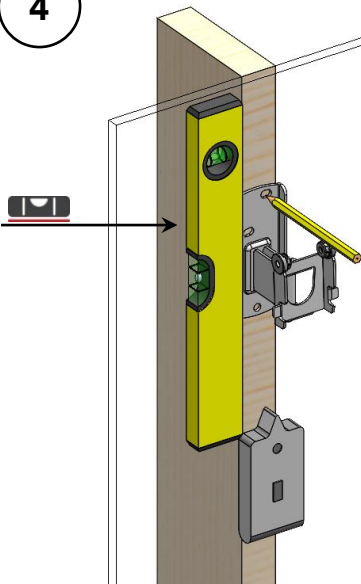
3

Follow the steps according to your wall type



4

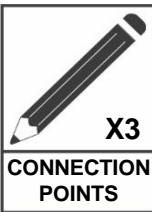
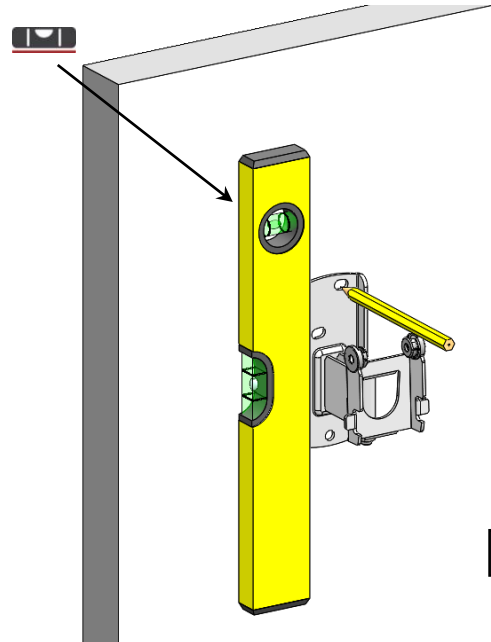
Mark the holes on the wall according to the required height



4a

Use a Stud Finder

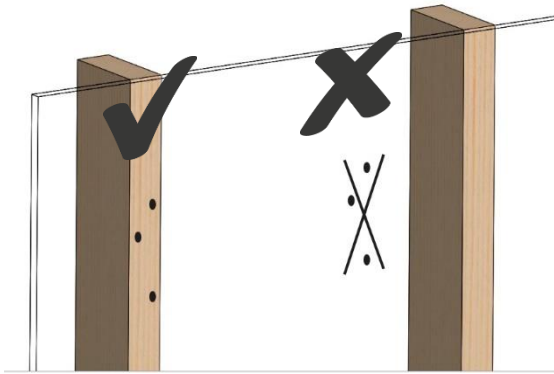
Page 6



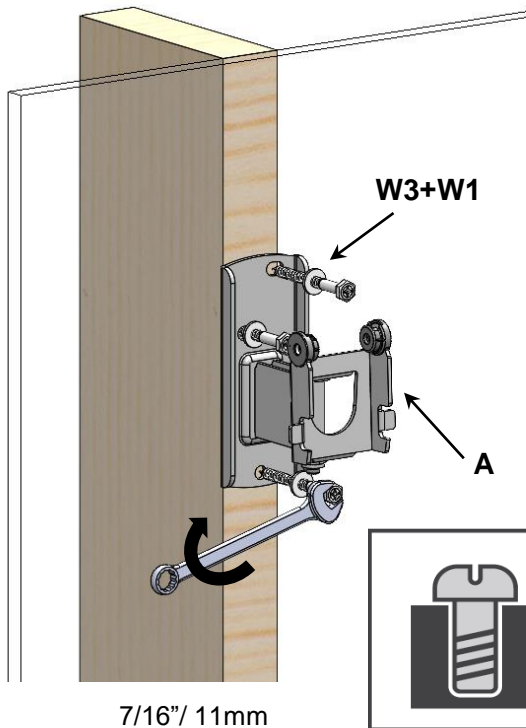
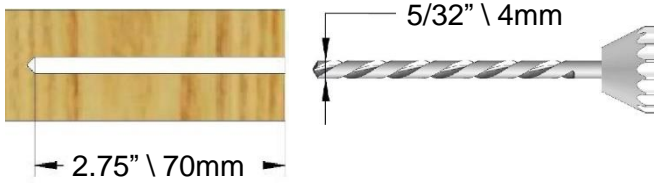
4b

Page 6

**4a** Make sure all holes are drilled inside the studs



Drill with 5/32" \ 4mm drill bit



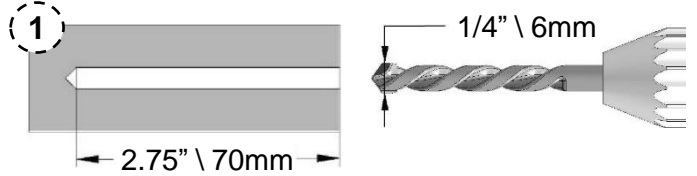
7/16" \ 11mm



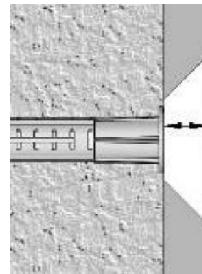
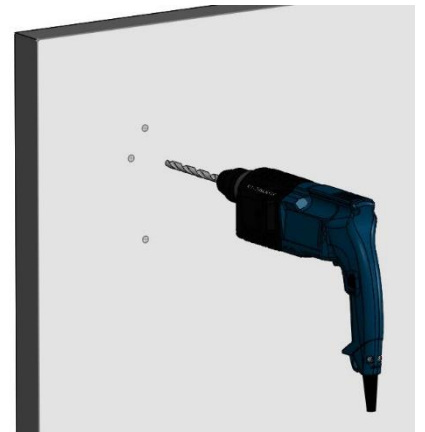
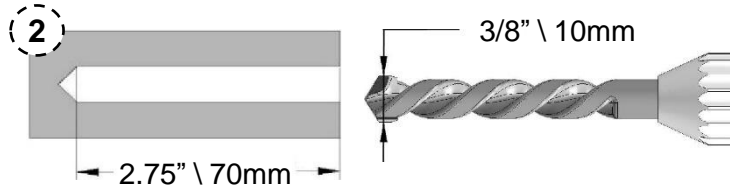
FULL TIGHTENING

**4b**

First use 1/4" \ 6mm drill bit

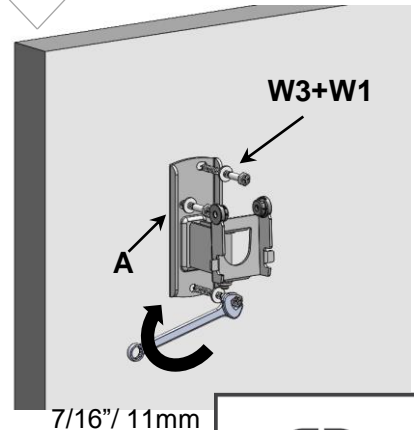
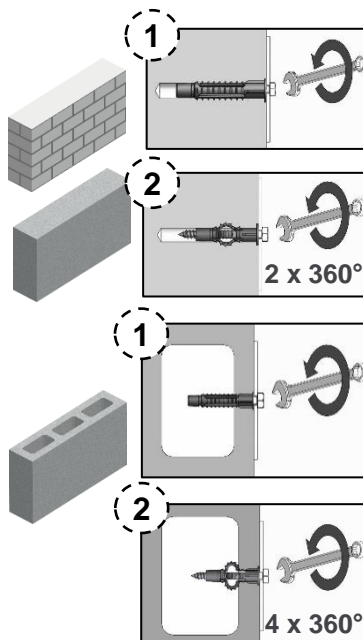
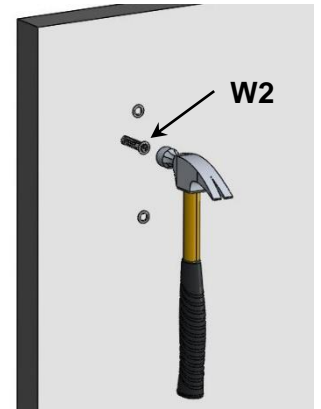


Afterwards use 3/8" \ 10mm drill bit



3/8" / 10 mm

The anchor must be sunk at least 3/8"/10 mm into the plaster coating



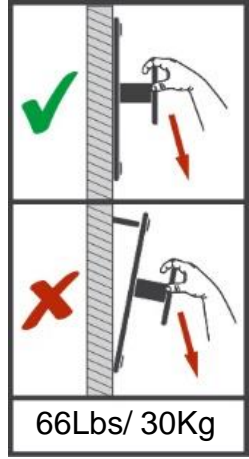
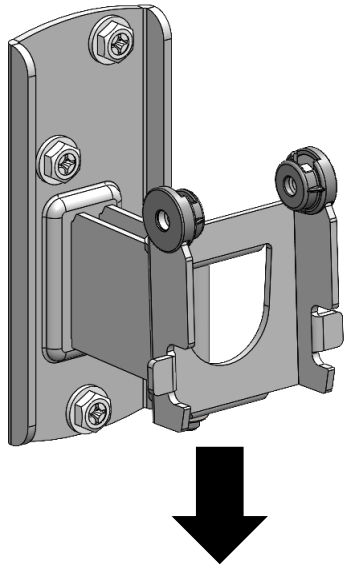
7/16" \ 11mm



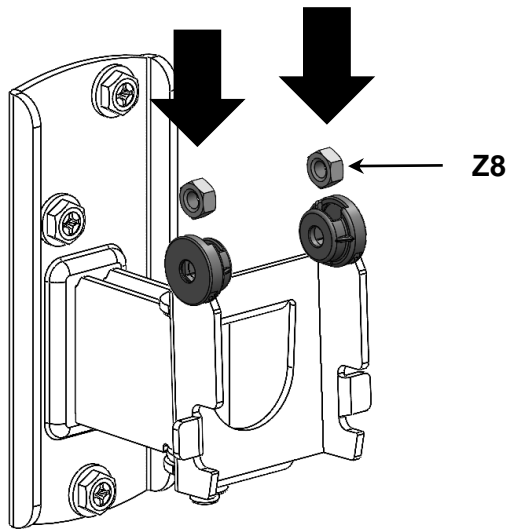
FULL TIGHTENING

**5** Weight test

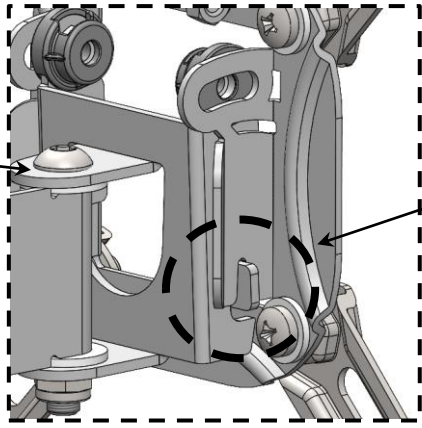
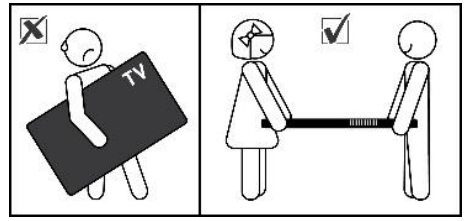
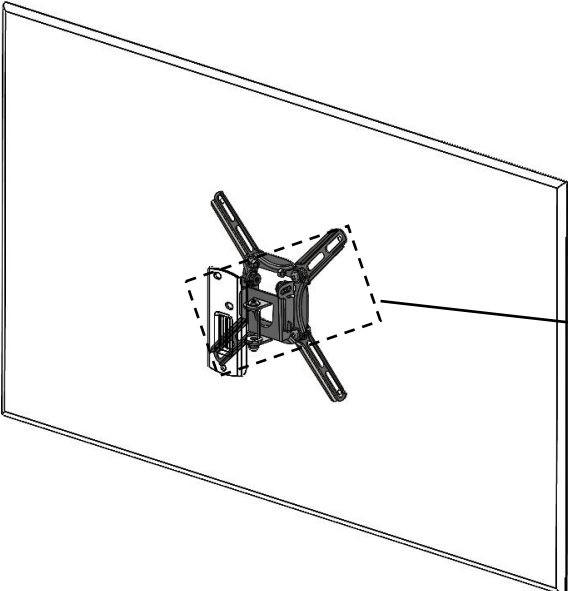
Apply force on the upper part of the Bracket and make sure it is well connected




**6** Place two nuts in the plastic nut-housings



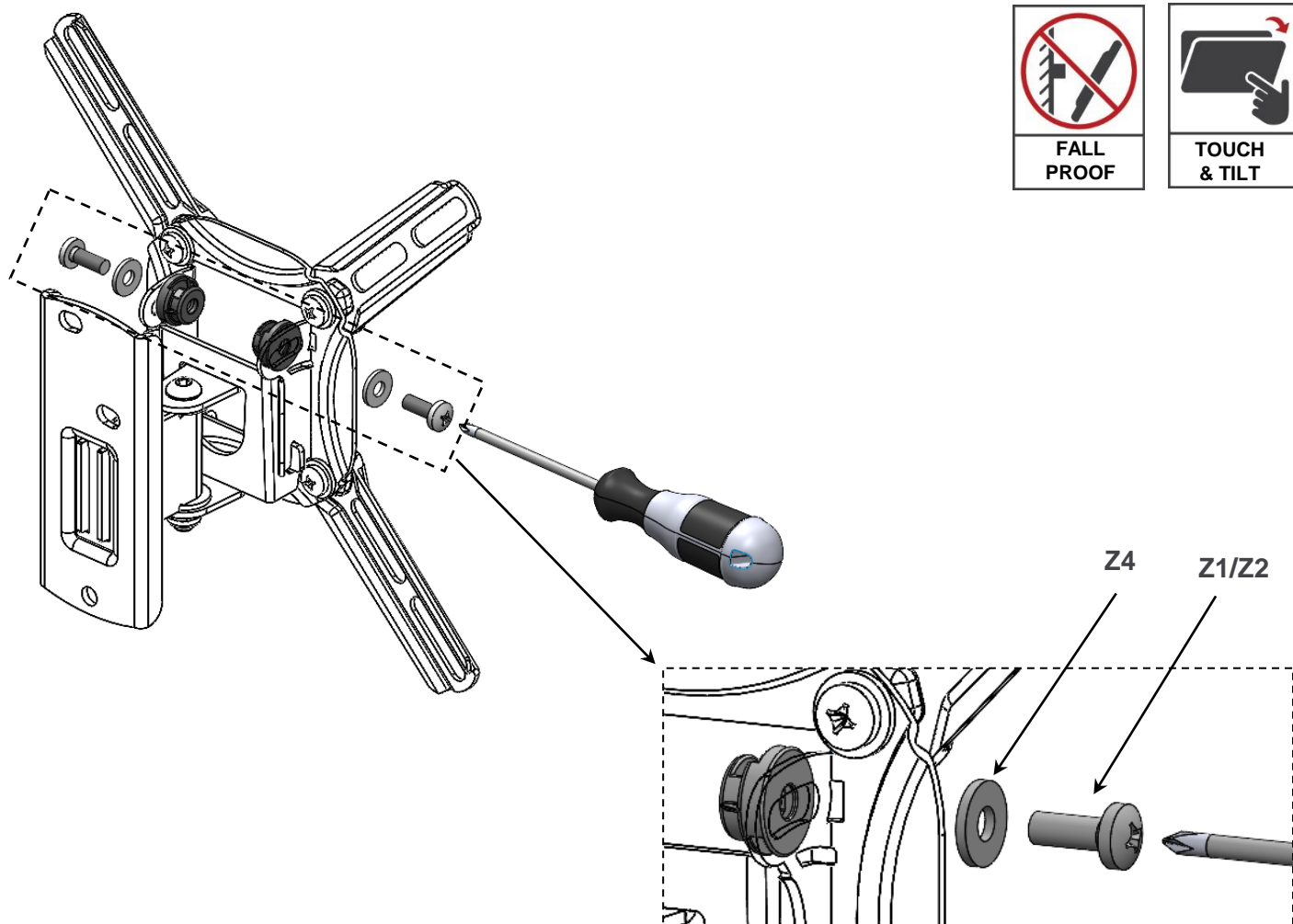
**7** Connect the TV



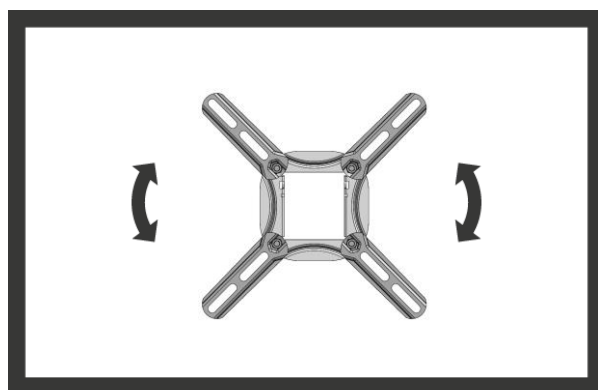
 Make sure that the TV Plate slots are positioned properly on 2 small bent parts



- 8 In order to secure the TV and to adjust friction, insert and tighten a screw on each side of the mount.



- 9 Level the TV according to your needs

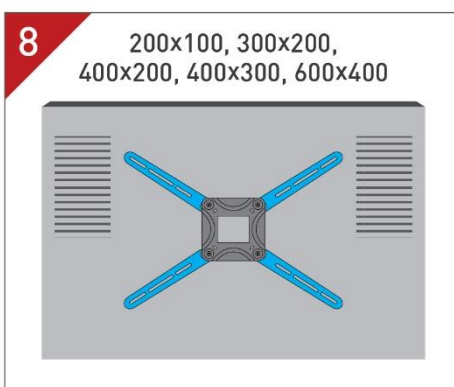
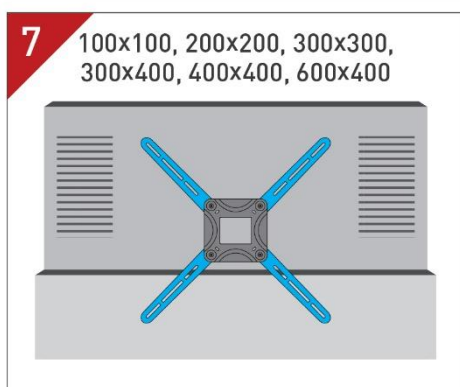
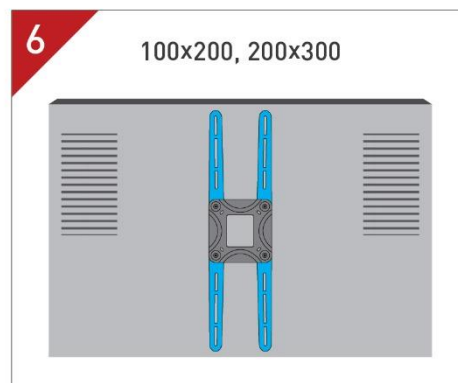
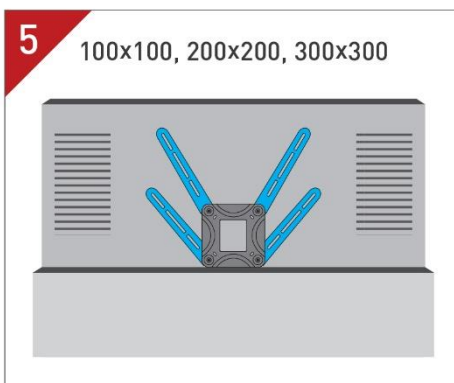
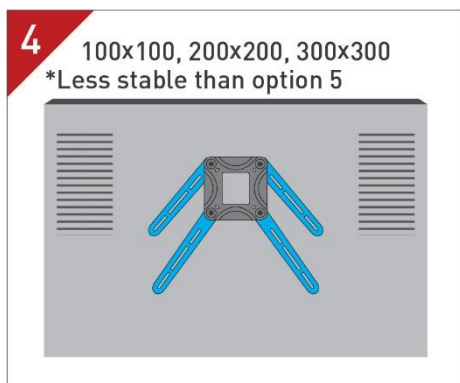
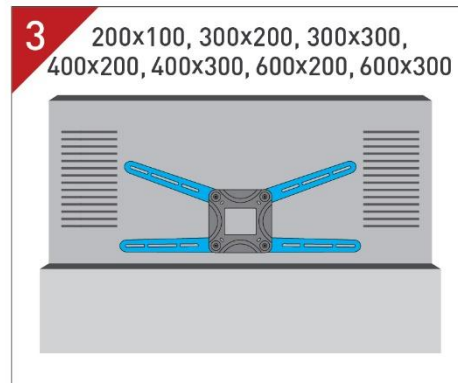
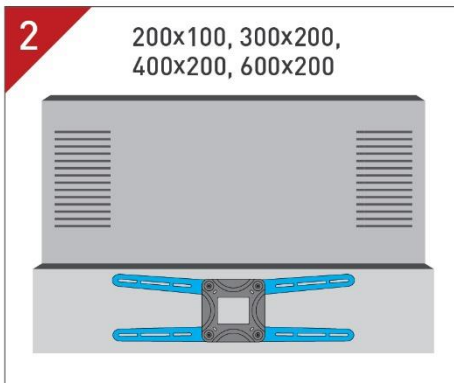
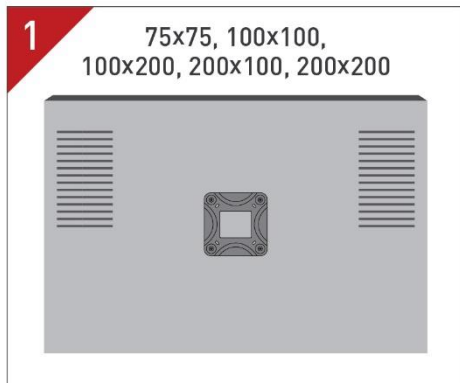


## BACKSCREEN CONNECTION POSITIONING OPTIONS

All TV backscreen connections are in millimeters (Width x Height).

There are a few sizes of TV plates available.

The backscreen connections in position 1 are included in some of the different TV plates, according to their size, and do not require the use of the 4 adapters (marked in blue).



**If your backscreen connections are not included in any of the positions, please contact us**

[www.barkanmounts.com/support](http://www.barkanmounts.com/support)

Ovaj dokument je originalno proizveden i objavljen od strane proizvođača, brenda Barkan, i preuzet je sa njihove zvanične stranice. S obzirom na ovu činjenicu, Tehnoteka ističe da ne preuzima odgovornost za tačnost, celovitost ili pouzdanost informacija, podataka, mišljenja, saveta ili izjava sadržanih u ovom dokumentu.

Napominjemo da Tehnoteka nema ovlašćenje da izvrši bilo kakve izmene ili dopune na ovom dokumentu, stoga nismo odgovorni za eventualne greške, propuste ili netačnosti koje se mogu naći unutar njega. Tehnoteka ne odgovara za štetu nanесenu korisnicima pri upotrebi netačnih podataka. Ukoliko imate dodatna pitanja o proizvodu, ljubazno vas molimo da kontaktirate direktno proizvođača kako biste dobili sve detaljne informacije.

Za najnovije informacije o ceni, dostupnim akcijama i tehničkim karakteristikama proizvoda koji se pominje u ovom dokumentu, molimo posetite našu stranicu klikom na sledeći link:

<https://tehnoteka.rs/p/zidni-nosac-za-tv-barkan-2200b-akcija-cena/>