

Informacije o proizvodu (EN)

DAHUA kamera za video nadzor HAC-HFW1239TM-A-LED-0360B-S2



Tehnoteka je online destinacija za upoređivanje cena i karakteristika bele tehnike, potrošačke elektronike i IT uređaja kod trgovinskih lanaca i internet prodavnica u Srbiji. Naša stranica vam omogućava da istražite najnovije informacije, detaljne karakteristike i konkurentne cene proizvoda.

Posetite nas i uživajte u ekskluzivnom iskustvu pametne kupovine klikom na link:

<https://tehnoteka.rs/p/dahua-kamera-za-video-nadzor-hac-hfw1239tm-a-led-0360b-s2-akcija-cena/>

DH-HAC-HFW1239TLM(-A)-LED

2M Full-color Starlight HDCVI Bullet Camera



- Full-color starlight
- 40m LED distance
- Max. 30fps@1080P
- CVI/CVBS/AHD/TVI Switchable
- Built-in mic(-A)
- 3.6mm fixed lens (2.8mm Optional)
- IP67, 12V±30% DC



System Overview

Experience 1080P full HD color video and the simplicity of reusing existing coaxial infrastructure with HDCVI. The full-color starlight HDCVI camera presents a high quality color image with rich details even in total darkness conditions. It offers various fixed lens models with a multi-language OSD and HD/SD switchable output. It adopts two powerful warm white LED illuminators, covering an effective range up to 40m(131.23ft). The LEDs switch on automatically in darkness to capture detail-packed full-color images 24/7, ensuring authentic identification of objects. It is an ideal choice for applications such as schools, retail centers and parking lots.

Functions

Full-color Starlight

The camera adopts F1.6 large aperture lens and 1/2.8" high performance sensor. With higher amount of absorbed light and advanced image processing algorithm, the camera presents an impressive lowlight performance with an exceptional balance between noise reduction and the blur of moving object.

Warm Supplemental lights

With two warm supplemental LED lights, the camera is able to provide a colorful and vivid image even in total darkness. It also provides visible By default, the camera is set to smart light mode, in which the camera can automatically adjust the exposure time and light sensitivity simultaneously to avoid overexposure of the objects in the image center. Also, the sensitivity and intensity of the LED lights can be remotely controlled by OSD menu.

Broadcast-quality Audio

Audio information is used as supplementary evidence in video surveillance applications. The HDCVI camera supports audio signal transmission over coaxial cable. In addition, it adopts unique audio processing and transmission technology that best restores source audio and eliminates noise, guaranteeing the quality and effectiveness of collected audio information.

*Broadcast-quality audio is available for some models of HDCVI cameras.

4 Signals over 1 Coaxial Cable

HDCVI technology supports 4 signals to be transmitted over 1 coaxial cable simultaneously, i.e. video, audio*, data and power. Dual-way data transmission allows the HDCVI camera to interact with the HCVR, such as sending control signal or triggering alarm. Moreover, HDCVI technology supports PoC for construction flexibility.

*Audio input is available for some models of HDCVI cameras.

Long Distance Transmission

HDCVI technology guarantees long-distance and real-time transmission without any loss. It supports up to 800m for 1080P Full HD video via coaxial cable, and up to 300m via UTP cable

*Actual results verified by real-scene testing in Dahua's test laboratory.

Simplicity

HDCVI technology inherits the born feature of simplicity from traditional analog surveillance system, making itself a best choice for investment protection. HDCVI system can seamlessly upgrade the traditional analog system without replacing existing coaxial cabling. The plug and play approach enables full HD video surveillance without the hassle of configuring a network.

Multiple-formats

The camera supports multiple video formats including HDCVI, CVBS and other two common HD analog formats in the market. The four formats can be switched over through OSD menu or by PFM820(UTC controller). This feature makes the camera to be compatible with most end users' existing HD/SD DVRs.

Protection

The camera's outstanding reliability is unsurpassed due to its rugged design. The camera is protected against water and dust with IP67 ranking, making it suitable for indoor or outdoor environments.

Technical Specification

Camera

| | |
|-----------------------------------|--|
| Image Sensor | 1/2.8 inch 2.16 Mega Pixels CMOS |
| Effective Pixels | 1920 (H)×1080 (V), 2MP |
| Electronic Shutter Speed | PAL:1/25s-1/100000s NTSC:1/30s-1/100000s |
| Minimum Illumination | 0.005Lux/F1.6, 30IRE, 0Lux white Light on |
| Fill Light (White Light) Distance | Distance up to 40m (131.23ft) |
| Fill Light On/Off Control | Auto; Manual |
| Fill Light Number | 2 |
| Pan/Tilt/Rotation Range | Pan: 0°-360° Tilt: 0°-180° Rotation: 0°-360° |

Lens

| | | | | | |
|----------------------|---|--------------------|-------------------|-------------------|------------------|
| Lens Type | Fixed-focal | | | | |
| Mount Type | M12 | | | | |
| Focal Length | 2.8m/3.6mm | | | | |
| Max. Aperture | F1.6 | | | | |
| Angle of View | 2.8mm: 126.2°×106.0°×56.5° (diagonal×horizontal×vertical) 3.6mm: 103.6°×86.9°×46.3° (diagonal×horizontal×vertical) | | | | |
| Iris Type | Fixed iris | | | | |
| Close Focus Distance | 2.8mm: 0.6m (1.97ft) 3.6mm: 1.2m (3.94ft) | | | | |
| DORI Distance | Lens | Detect | Observe | Recognize | Identify |
| | 2.8mm | 38.6m (126.6ft) | 15.4m (50.5ft) | 7.7m (25.3ft) | 3.9m (12.8ft) |
| | 3.6mm | 55.2m (181.1ft) | 22.1m (72.5ft) | 11.0m (36.0ft) | 5.5m (18.0ft) |

Video

| | |
|------------------|---|
| Video Frame Rate | CVI: PAL: 1080@25fps, 720@25fps, 720@50fps; NTSC: 1080@30fps, 720@30fps, 720@60fps AHD: PAL: 1080@25fps,720@25fps; NTSC: 1080@30fps,720@30fps TVI: PAL: 1080@25fps,720@25fps,720@50fps; NTSC: 1080@30fps,720@30fps,720@60fps CVBS: PAL: 960×576H; NTSC: 960×480H |
| Resolution | 1080P (1920×1080); 720P (1280×720); 960H (704×576/704×480) |
| BLC | BLC/HLC/WDR |
| WDR | DWDR |
| White Balance | Auto; Manual |
| Gain Control | Auto; Manual |
| Noise Reduction | 2D NR |
| Smart Light | Yes |

| | |
|------------------|----------------------------|
| Electronic Defog | Yes |
| Digital Zoom | 16X |
| Mirror | Off/On |
| Privacy Masking | Off/On (4 area, rectangle) |

Certification

| | |
|----------------|---|
| Certifications | CE (EN55032, EN55024, EN50130-4,EN60950-1) FCC (CFR 47 FCC Part 15 subpartB, ANSI C63.4-2014) UL (UL60950-1+CAN/CSA C22.2 No.60950-1) |
|----------------|---|

Interface

| | |
|-----------------|------------------|
| Audio Interface | Built-in mic(-A) |
|-----------------|------------------|

Port

| | |
|------------|--|
| Video Port | Video output choices of CVI/TVI/AHD/CVBS by one BNC port |
|------------|--|

Power

| | |
|-------------------|---------------------------------|
| Power Supply | 12V ±30% DC |
| Power Consumption | Max 5W (12V DC, white light on) |

Environment

| | |
|-----------------------|---|
| Operating Temperature | -40°C to +60°C (-40°F to 140°F); <95% (non-condensation) |
| Storage Temperature | -40°C to +60°C (-40°F to 140°F); <95% (non-condensation) |
| Protection Grade | IP67 |

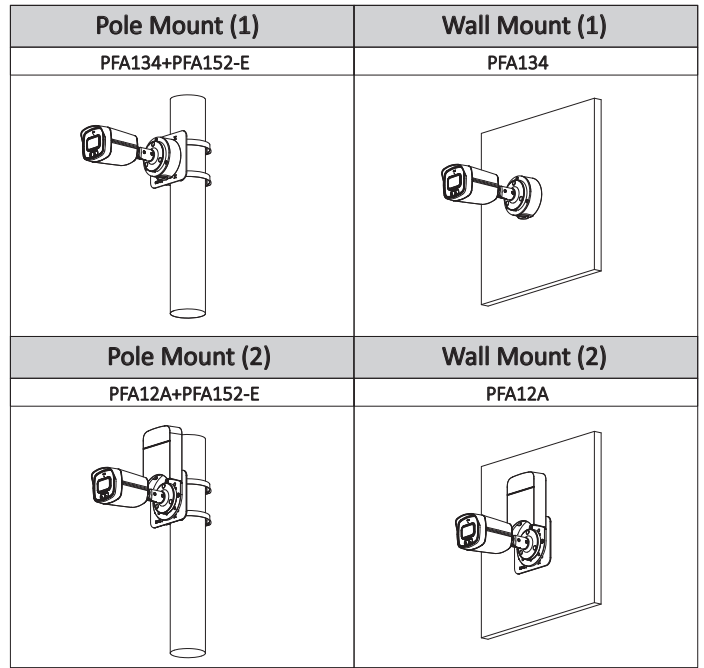
Structure

| | |
|--------------|---|
| Casing | Metal front cover+plastic main body+metal bracket |
| Dimensions | 198.4mm×80.2mm×76.2mm (7.81"×3.16"×3.00") |
| Net Weight | 0.3Kg(0.66lb) |
| Gross Weight | 0.45Kg(0.99lb) |

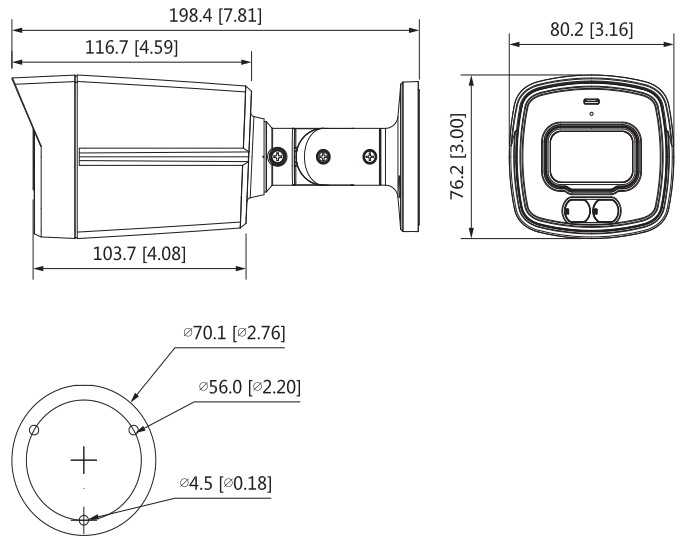
Ordering Information

| Type | Part Number | Description |
|-------------------------------|---------------------------------|--|
| 2M Camera | DH-HAC-HFW1239TLMP-A-LED 2.8mm | 2M Full-color Starlight HDCVI Bullet Camera, PAL |
| | DH-HAC-HFW1239TLMP-LED 2.8mm | |
| | DH-HAC-HFW1239TLMN-A-LED 2.8mm | 2M Full-color Starlight HDCVI Bullet Camera,NTSC |
| | DH-HAC-HFW1239TLMN-LED 2.8mm | |
| | DH-HAC-HFW1239TLMP-A-LED 3.6 mm | 2M Full-color Starlight HDCVI Bullet Camera, PAL |
| DH-HAC-HFW1239TLMP-LED 3.6 mm | | |

| | | |
|-------------|---------------------------------|--|
| 2M Camera | DH-HAC-HFW1239TLMN-A-LED 3.6 mm | 2M Full-color Starlight HDCVI Bullet Camera,NTSC |
| | DH-HAC-HFW1239TLMN-LED 3.6 mm | |
| Accessories | PFA134+PFA152-E | Water-proof Junction Box+Pole Mount Bracket |
| | PFA134 | Water-proof Junction Box |
| | PFA12A+PFA152-E | Plastic Junction Box+Pole Mount Bracket |
| | PFA12A | Plastic Junction Box |
| | PFM820 | UTC Controller |
| | PFM800-E | Passive HDCVI Balun |
| | PFM800-4K | Passive Video Balun |
| | PFM800B-4K | Passive Video Balun |
| | PFM321 | 12V 1A Power Adapter |
| | PFM300 | 12V 2A Power Adapter |
| | PFM320D-015 | 12V 1.5A Power Adapter |

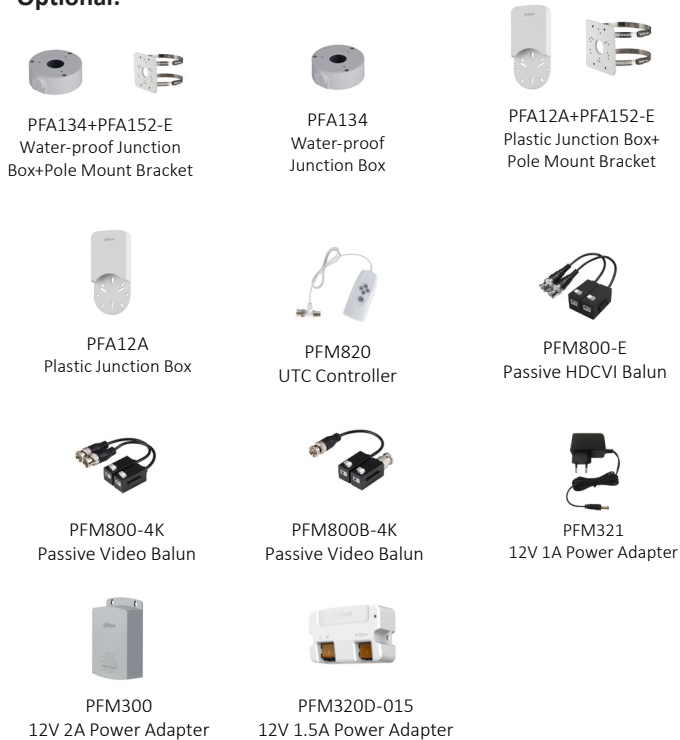


Dimensions (mm[inch])



Accessories

Optional:



Ovaj dokument je originalno proizveden i objavljen od strane proizvođača, brenda Dahua, i preuzet je sa njihove zvanične stranice. S obzirom na ovu činjenicu, Tehnoteka ističe da ne preuzima odgovornost za tačnost, celovitost ili pouzdanost informacija, podataka, mišljenja, saveta ili izjava sadržanih u ovom dokumentu.

Napominjemo da Tehnoteka nema ovlašćenje da izvrši bilo kakve izmene ili dopune na ovom dokumentu, stoga nismo odgovorni za eventualne greške, propuste ili netačnosti koje se mogu naći unutar njega. Tehnoteka ne odgovara za štetu nanесenu korisnicima pri upotrebi netačnih podataka. Ukoliko imate dodatna pitanja o proizvodu, ljubazno vas molimo da kontaktirate direktno proizvođača kako biste dobili sve detaljne informacije.

Za najnovije informacije o ceni, dostupnim akcijama i tehničkim karakteristikama proizvoda koji se pominje u ovom dokumentu, molimo posetite našu stranicu klikom na sledeći link:

<https://tehnoteka.rs/p/dahua-kamera-za-video-nadzor-hac-hfw1239tm-a-led-0360b-s2-akcija-cena/>