

## Informacije o proizvodu (EN)

DAHUA kamera za video nadzor HAC-HFW1231TLM-I6-A-0360B



Tehnoteka je online destinacija za upoređivanje cena i karakteristika bele tehnike, potrošačke elektronike i IT uređaja kod trgovinskih lanaca i internet prodavnica u Srbiji. Naša stranica vam omogućava da istražite najnovije informacije, detaljne karakteristike i konkurentne cene proizvoda.

Posetite nas i uživajte u ekskluzivnom iskustvu pametne kupovine klikom na link:

<https://tehnoteka.rs/p/dahua-kamera-za-video-nadzor-hac-hfw1231tlm-i6-a-0360b-akcija-cena/>

# DH-HAC-HFW1231TLM-I6(-A)

## 2MP Starlight HDCVI IR Bullet Camera



- Max 30 fps@1080P
- Starlight, 130 dB true WDR, 3D NR
- 3.6 mm fixed lens (2.8 mm, 6 mm optional)
- CVI/CVBS/AHD/TVI switchable
- Super Adapt
- Built-in mic (-A)
- Max. IR length 60 m, Smart IR
- IP67, DC12V



### System Overview

Lite Series is suitable for users who requires high quality monitoring products at a reasonable price. It is cost effective and offers high performance, which makes it an ideal choice for residential and small-medium business applications. This series offers an option of a wide range of technologies such as Full-color and Starlight, providing various solutions for different scenarios.

### Functions

#### Starlight

With the adoption of large sized high performance sensor and large aperture lens, the camera is able to provide incomparable performance even under extreme lowlight environment. The starlight feature allows more details to be captured and accurate color to be recognized at night or in scenes with limited illumination.

#### Broadcast-quality Audio

Audio information is used as supplementary evidence in video surveillance applications. The HDCVI camera supports audio signal transmission over coaxial cable. In addition, it adopts unique audio processing and transmission technology that best restores source audio and eliminates noise, guaranteeing the quality and effectiveness of collected audio information.

\* Audio input is available for some models of HDCVI cameras.

#### Wide Dynamic Range

With advanced Wide Dynamic Range (WDR) technology, Dahua HDCVI camera provides clear details in the environment of strong brightness contrast. The bright and dark area can get clear video even in high brightness environment or with backlight shadow.

#### Super Adapt

Embedded with intelligent algorithm, for changing external environment, camera can automatically adjust parameters to present the optimal image, and it solves the trouble of configuration.

### Advanced 3DNR

3DNR is noise reduction technology that detects and eliminates random noises by comparing two sequential frames. Dahua's advanced 3DNR technology allows remarkable noise reduction with little impact to sharpness, especially under limited lighting condition. Besides, the advanced 3DNR effectively decreases the band width and saves the storage space.

### Smart Illumination

The camera is designed with IR illumination for best lowlight performance. Smart IR is a technology to ensure brightness uniformity in B/W image under low illumination. Dahua's unique Smart IR adjusts to the intensity of camera's infrared LEDs to compensate for the distance of an object, and prevents IR LEDs from overexposing images as the object come closer to the camera.

### Protection (IP67, wide voltage)

IP67: The camera passes a series of strict test on dust and soak. It has dust-proof function, and the enclosure can works normal after soaking in 1 m deep water for 30 minutes.

Wide voltage: The camera allows  $\pm 30\%$  (for some power supplies) input voltage tolerance (wide voltage range), and it is widely applied to outdoor environment with instable voltage.

### Technical Specification

#### Camera

Image Sensor	1/2.8" CMOS
Max. Resolution	1920 (H) × 1080 (V)
Pixel	2MP
Scanning System	Progressive
Electronic Shutter Speed	PAL: 1/25 s–1/100,000 s NTSC: 1/30 s–1/100,000 s
S/N Ratio	> 65 dB
Min. Illumination	0.002 Lux/F1.6, 30 IRE, 0 Lux IR on
Illumination Distance	60 m (196.9 ft)
Illuminator On/Off Control	Auto; manual
Illuminator Number	2 (IR light)
Pan/Tilt/Rotation Range	Pan: 0°–360° Tilt: 0°–90° Rotation: 0°–360°

#### Lens

Lens Type	Fixed lens
Mount Type	M12
Focal Length	2.8 mm; 3.6 mm; 6 mm
Max. Aperture	F1.6
Field of View	2.8 mm: H: 107°; V: 56°; D: 127° 3.6 mm: H: 86°; V: 46°; D: 101° 6 mm: H: 54°; V: 29°; D: 63°
Iris Type	Fixed iris
Close Focus Distance	2.8 mm: 0.7 m (2.3 ft) 3.6 mm: 1.1 m (3.6 ft) 6 mm: 2.5 m (8.2 ft)

DORI Distance	Lens	Detect	Observe	Recognize	Identify
	2.8 mm	43.9 m (144 ft)	17.5 m (57.4 ft)	8.8 m (28.9 ft)	4.4 m (14.4 ft)
	3.6 mm	53.7 m (176.2 ft)	21.5 m (70.5 ft)	10.7 m (35.1 ft)	5.4 m (17.7 ft)
	6 mm	82.8 m (271.7 ft)	33.1 m (108.6 ft)	16.6 m (54.5 ft)	8.3 m (27.2 ft)

#### Video

Frame Rate	CVI: PAL: 1080P@25 fps; NTSC: 1080P@30 fps; AHD: PAL: 1080P@25 fps; NTSC: 1080P@30 fps; TVI: PAL: 1080P@25 fps; NTSC: 1080P@30 fps; CVBS: PAL: 960 × 576H; NTSC: 960 × 480H
Resolution	1080P (1920 × 1080); 960H (960 × 576/960 × 480)
Day/Night	Auto switch by ICR
BLC	BLC/WDR/HLC
WDR	130 dB

White Balance	Auto; manual
Gain Control	Auto; manual
Noise Reduction	3D NR
Smart IR	Yes
Mirror	Off/On
Privacy Masking	Off/On (8 area, rectangle)

#### Certifications

Certifications	CE (EN55032, EN55024, EN50130-4) FCC (CFR 47 FCC Part 15 subpartB, ANSI C63.4-2014) UL (UL60950-1+CAN/CSA C22.2 No.60950-1)
----------------	---

#### Port

Video Output	Video output choices of CVI/TVI/AHD/CVBS by one BNC port
Audio Input	One channel built-in mic (-A)

#### Power

Power Supply	12V ±30% DC
Power Consumption	Max 5.1 W (12V DC, IR on)

#### Environment

Operating Temperature	–40°C to +60°C (–40°F to 140°F); < 95% (non-condensation)
Storage Temperature	–40°C to +60°C (–40°F to 140°F); < 95% (non-condensation)

#### Structure

Casing	Mental front cover+plastic main body+mental bracket
Camera Dimensions	198.4 mm × 80.2 mm × 76.2 mm (7.81" × 3.16" × 3.00")
Net Weight	0.3 kg (0.66 lb)

### Ordering Information

Type	Part Number	Description
2M Camera	DH-HAC-HFW1231TLMP-I6-A	2MP Starlight HDCVI IR Bullet Camera, PAL
	DH-HAC-HFW1231TLMN-I6-A	2MP Starlight HDCVI IR Bullet Camera, NTSC
	DH-HAC-HFW1231TLMP-I6	2MP Starlight HDCVI IR Bullet Camera, PAL
	DH-HAC-HFW1231TLMN-I6	2MP Starlight HDCVI IR Bullet Camera, NTSC
Accessories (Optional)	PFA134	Junction box
	PFA130-E	IP66 Junction box
	PFA152-E	Pole Mount Bracket (For use with PFA130-E junction box)
	PFM800-E	Passive HDCVI Balun
	PFM321	12V 1A Power Adapter
	PFM820	UTC Controller
	PFM904	Integrated Mount Tester

Accessories

Optional:



PFA134  
Junction Box



PFA130-E  
IP66 Junction box



PFA152-E  
Pole Mount Bracket  
(For use with PFA130-E  
junction box)



PFM800-E  
Passive HDCVI Balun



PFM321  
12V 1A Power Adapter

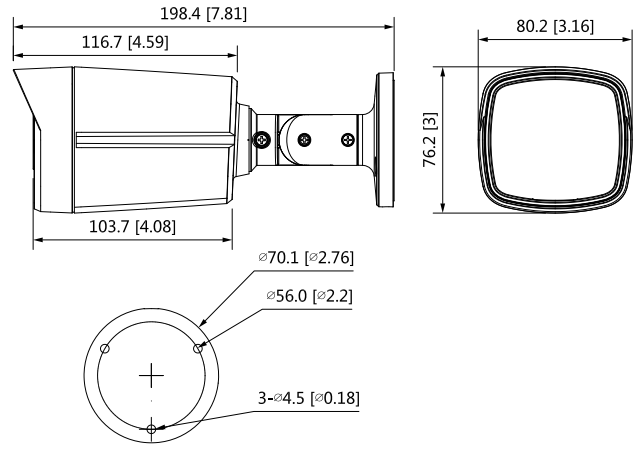


PFM820  
UTC Controller



PFM904  
Integrated Mount Tester

Dimensions (mm [inch])



Ceiling Mount	Junction Mount	Pole Mount(Vertical)

Ovaj dokument je originalno proizveden i objavljen od strane proizvođača, brenda Dahua, i preuzet je sa njihove zvanične stranice. S obzirom na ovu činjenicu, Tehnoteka ističe da ne preuzima odgovornost za tačnost, celovitost ili pouzdanost informacija, podataka, mišljenja, saveta ili izjava sadržanih u ovom dokumentu.

Napominjemo da Tehnoteka nema ovlašćenje da izvrši bilo kakve izmene ili dopune na ovom dokumentu, stoga nismo odgovorni za eventualne greške, propuste ili netačnosti koje se mogu naći unutar njega. Tehnoteka ne odgovara za štetu nanесenu korisnicima pri upotrebi netačnih podataka. Ukoliko imate dodatna pitanja o proizvodu, ljubazno vas molimo da kontaktirate direktno proizvođača kako biste dobili sve detaljne informacije.

Za najnovije informacije o ceni, dostupnim akcijama i tehničkim karakteristikama proizvoda koji se pominje u ovom dokumentu, molimo posetite našu stranicu klikom na sledeći link:

<https://tehnoteka.rs/p/dahua-kamera-za-video-nadzor-hac-hfw1231tlm-i6-a-0360b-akcija-cena/>