

## Uputstvo za upotrebu (EN)

ENERGY SISTEM slušalice Hoshi Eco Cloud sive

ENERGY  SISTEM



Tehnoteka je online destinacija za upoređivanje cena i karakteristika bele tehnike, potrošačke elektronike i IT uređaja kod trgovinskih lanaca i internet prodavnica u Srbiji. Naša stranica vam omogućava da istražite najnovije informacije, detaljne karakteristike i konkurentne cene proizvoda.

Posetite nas i uživajte u ekskluzivnom iskustvu pametne kupovine klikom na link:

<https://tehnoteka.rs/p/energy-sistem-slusalice-hoshi-eco-cloud-sive-akcija-cena/>

ENGLISH

**Product content** ..... 3  
**Switching on and off** ..... 4  
**Wireless connection Bluetooth®** ..... 4  
**Control of reproduction** ..... 5  
**Battery charging** ..... 5



ENERGY♥SYSTEM



Manual de usuario / User manual  
Manual de l'utilisateur / Manual do usuário

# Headphone eco Bluetooth®

Thank you for trusting us and purchasing your new *Headphones ECO BT* . We hope you enjoy it.

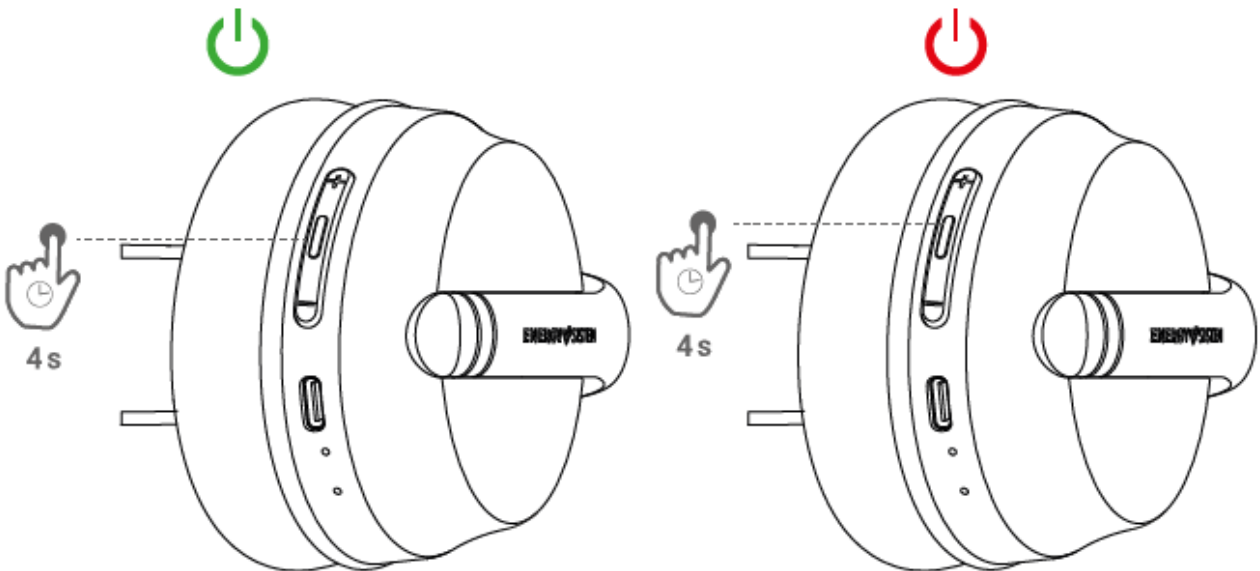
We advise you to read this user manual to get the most out of your product.

## Product content

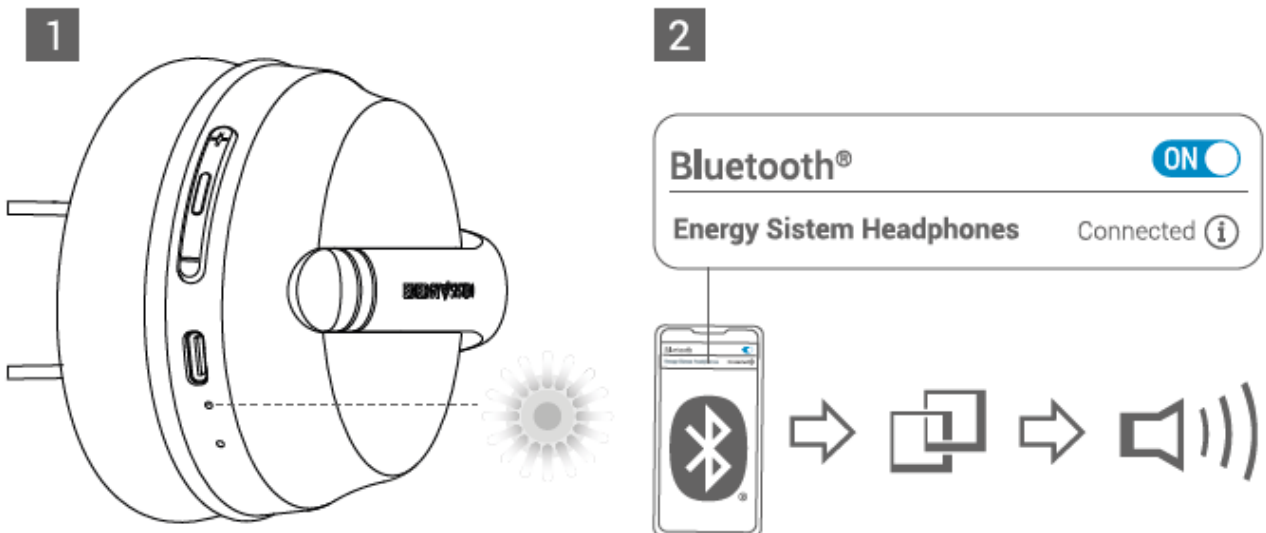
---



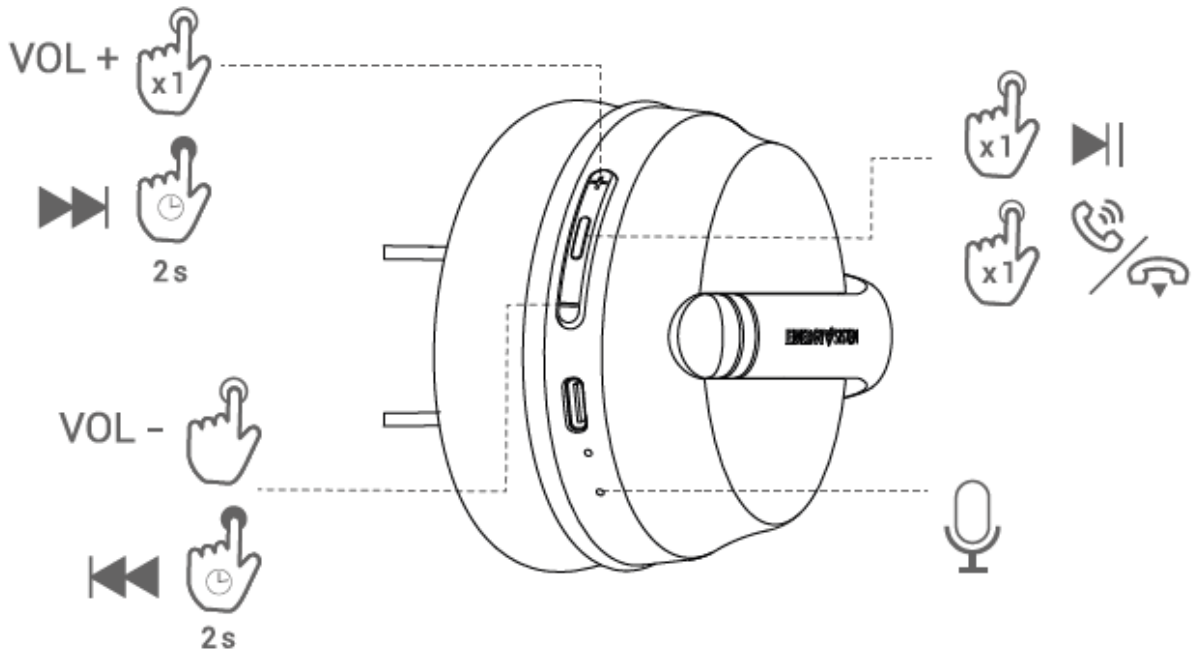
Switching on and off



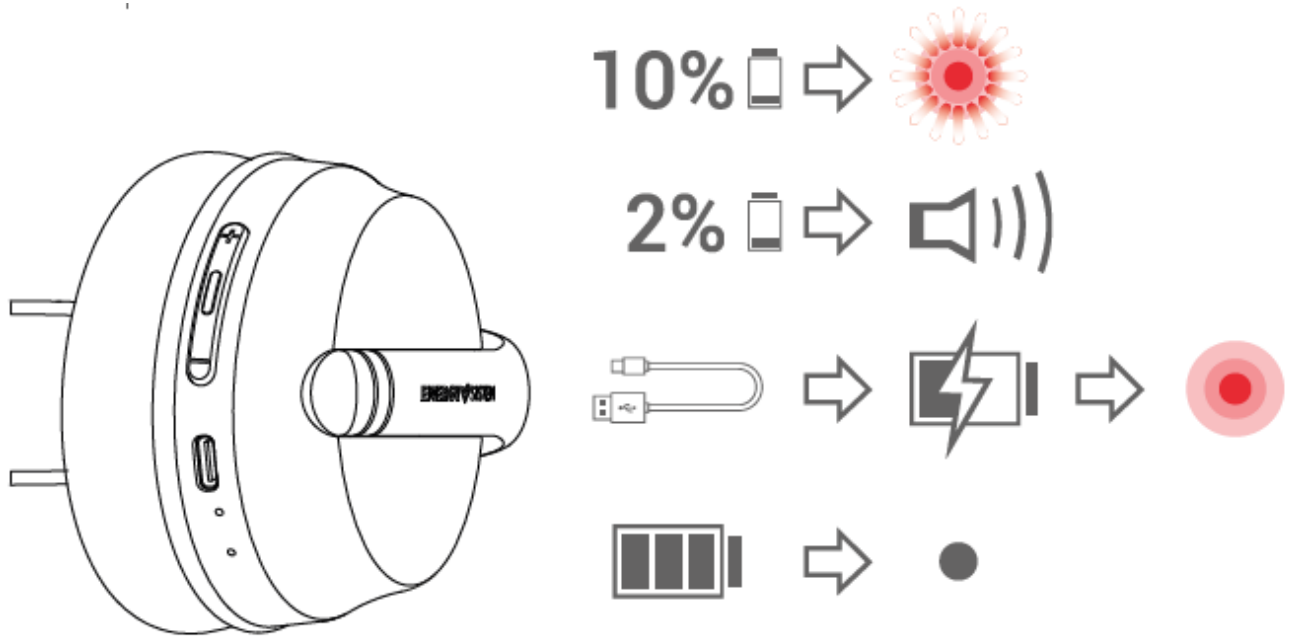
Wireless connection Bluetooth®

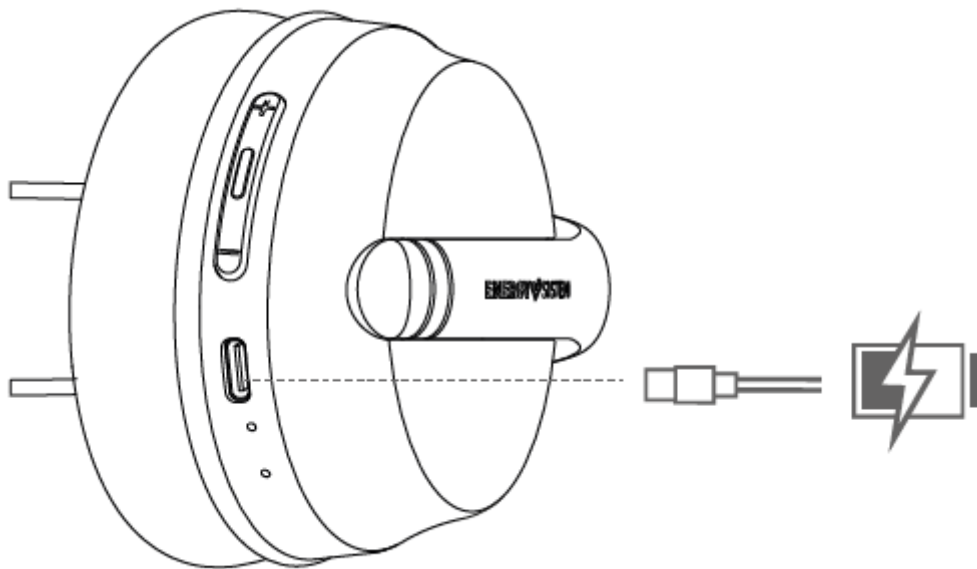


Control of reproduction

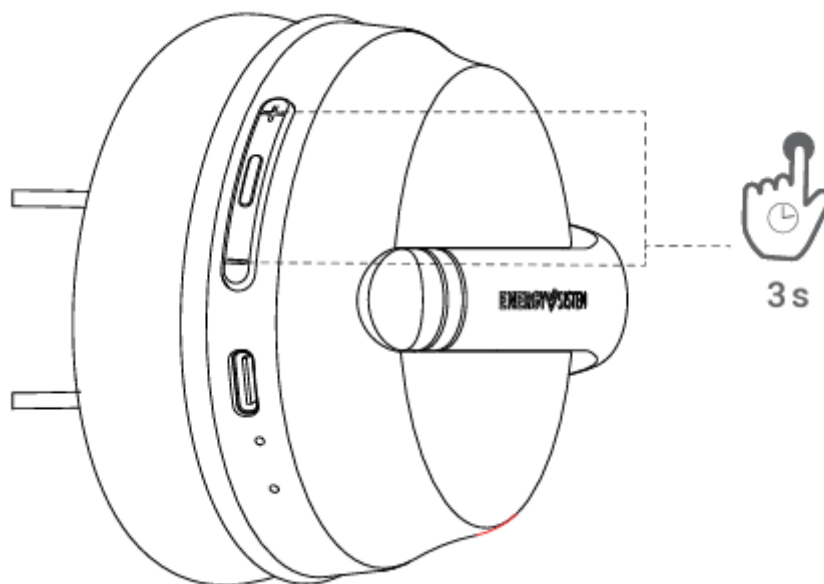


Battery charging





**\*\*Note:\*\*** \* In order to optimise battery life, do not store or leave the device unused for a long period of time with a fully discharged battery. \* When you connect the charging cable, the headset will turn off and start charging. It is not possible to charge and use the headset at the same time for safety reasons related to current CE regulations.  
**\*\*Caution\*\*:** Do not charge your headphones with fast charging adapters or dedicated laptop charging adapters, as their output voltage exceeds 5V and the device may become unusable. ## Force shutdown (Reset)



## Care and maintenance \* Do not expose the headphones to shock, dust, moisture or high temperatures. \* Do not use corrosive or abrasive cleaning agents. \* Keep the headphones clean and dust-free by using a soft dry cloth. \* Do not disassemble the headphones. Any repair must be carried out exclusively by qualified Energy System Technology, S.A. personnel. \* Do not leave the battery completely discharged for a long period of time.

## Technical specifications ### Audio - Frequency response: 20 Hz ~ 20 kHz - Driver diameter: 40 mm - Design: circumaural - Type: dynamic ### Wireless connection Bluetooth® - Bluetooth® version 5.3, class 2 - Operating frequency: 2.4 GHz - Maximum signal strength: < 20.00 dBm - Supports Bluetooth® HSP / HFP / A2DP / AVRCP profiles - Compatible with SBC codecs - Up to 20 metres range - Hands-free function - Google/Siri compatible voice assistant ### Hands-free microphone - Type: integrated - Sensitivity: -38 dB ± 3 dB (@1 kHz) - Frequency range: 10 Hz ~ 10 kHz ### Battery - Capacity: 400 mAh / 3.7 V - Type: lithium polymer - Battery life at medium volume: 23 hours\*. - Charging time: 1.5 hours - Charging system: USB Type-C ### Other - Adjustable headband

##### \*This is an approximate figure. Battery life depends on the volume selected and the type of music played.

## Warranty You can check the warranty conditions here: <https://www.energysystem.com/condiciones-de-garantia>

Ovaj dokument je originalno proizveden i objavljen od strane proizvođača, brenda Energy Sistem, i preuzet je sa njihove zvanične stranice. S obzirom na ovu činjenicu, Tehnoteka ističe da ne preuzima odgovornost za tačnost, celovitost ili pouzdanost informacija, podataka, mišljenja, saveta ili izjava sadržanih u ovom dokumentu.

Napominjemo da Tehnoteka nema ovlašćenje da izvrši bilo kakve izmene ili dopune na ovom dokumentu, stoga nismo odgovorni za eventualne greške, propuste ili netačnosti koje se mogu naći unutar njega. Tehnoteka ne odgovara za štetu nanесenu korisnicima pri upotrebi netačnih podataka. Ukoliko imate dodatna pitanja o proizvodu, ljubazno vas molimo da kontaktirate direktno proizvođača kako biste dobili sve detaljne informacije.

Za najnovije informacije o ceni, dostupnim akcijama i tehničkim karakteristikama proizvoda koji se pominje u ovom dokumentu, molimo posetite našu stranicu klikom na sledeći link:

<https://tehnoteka.rs/p/energy-sistem-slusalice-hoshi-eco-cloud-sive-akcija-cena/>