

Uputstvo za upotrebu (EN)

ENERGY SISTEM bluetooth zvučnik Supernova portable plavi

ENERGY  SISTEM



Tehnoteka je online destinacija za upoređivanje cena i karakteristika bele tehnike, potrošačke elektronike i IT uređaja kod trgovinskih lanaca i internet prodavnica u Srbiji. Naša stranica vam omogućava da istražite najnovije informacije, detaljne karakteristike i konkurentne cene proizvoda.

Posetite nas i uživajte u ekskluzivnom iskustvu pametne kupovine klikom na link:

<https://tehnoteka.rs/p/energy-sistem-bluetooth-zvucnik-supernova-portable-plavi-akcija-cena/>

ENGLISH

Introduction	3
Care and maintenance	3
Features	4
Technical specifications	4
Audio	4
Lighting	4
Wireless connectivity	4
TWS technology compatible with	4
Audio input	4
MicroSD/USB playback	4
Battery	4
Product content	4
General overview	4
Main Functions	5
Switching on and off the device	5
Playback modes	6
Bluetooth --> MicroSD --> USB --> Audio-in	6
Playback control	6
Bluetooth® pairing	6
TWS (True Wireless Stereo)	6
Removable storage units (USB sticks/MicroSD cards)	7
Auxiliary audio input	8
Call control (Hands-free function)	8
Voice Assistant	8
Lighting modes	8
Music --> Wave --> Brief --> Off	9
Charging the battery	9
Reset	9
Warranty	9
Declaration of conformity	9

ENERGY♥SISTEM



urban box supernova

Manual de usuario / User manual
Manual de l'utilisateur / Manual do usuário

Introduction

- Thank you for trusting our company and buying the new *Urban Box Supernova*. We hope you enjoy the product.

Care and maintenance

- Do not expose your *Urban Box Supernova* to impacts, dust, humidity or high temperatures.
- Do not use neither corrosive nor abrasive cleaning products.
- Do not disassemble the device. All repair works should be carried out exclusively by qualified staff of Energy Sistem Technology, S.A.
- Make sure your *Urban Box Supernova* is off when you are not using it. Do not let it completely discharged for a long time.

Features

Technical specifications

Audio

- System: 2.0
- Power: 16 W
- 2 x 40 mm full range speakers
- Passive radiators: two membranes
- Frequency response: 80 Hz ~ 18 kHz
- Signal/Noise ratio: > 60 dB

Lighting

- LEDs: RGB

Wireless connectivity

- Bluetooth® 5.1 (class 2) technology. Up to 20 m distance range.
- Compatible profiles: HSP / HFP / A2DP / AVRCP
- Compatible with SBC codecs
- Frequency band: 2.4 GHz (2.402 - 2.480 GHz).
- Maximum output power: < 20 dBm
- Hands-free function. Microphone sensitivity: -42 dB
- TWS (True Wireless Stereo) technology

TWS technology compatible with

- Urban Box Supernova

Audio input

- 3.5 mm mini jack stereo audio-in (AUX)

MicroSD/USB playback

- MicroSD/USB decoder: reads MP3/WAV files stored on external units (up to 64 GB) with FAT/ FAT32 file system.

Battery

- Capacity: 2000 mAh
- Type: lithium-polymer battery
- Battery life (LEDs ON): 7 hours*
- Battery life (LEDs OFF): 12 hours*
- Charging method: USB Type-C
- Charging time: 2 hours**

Important

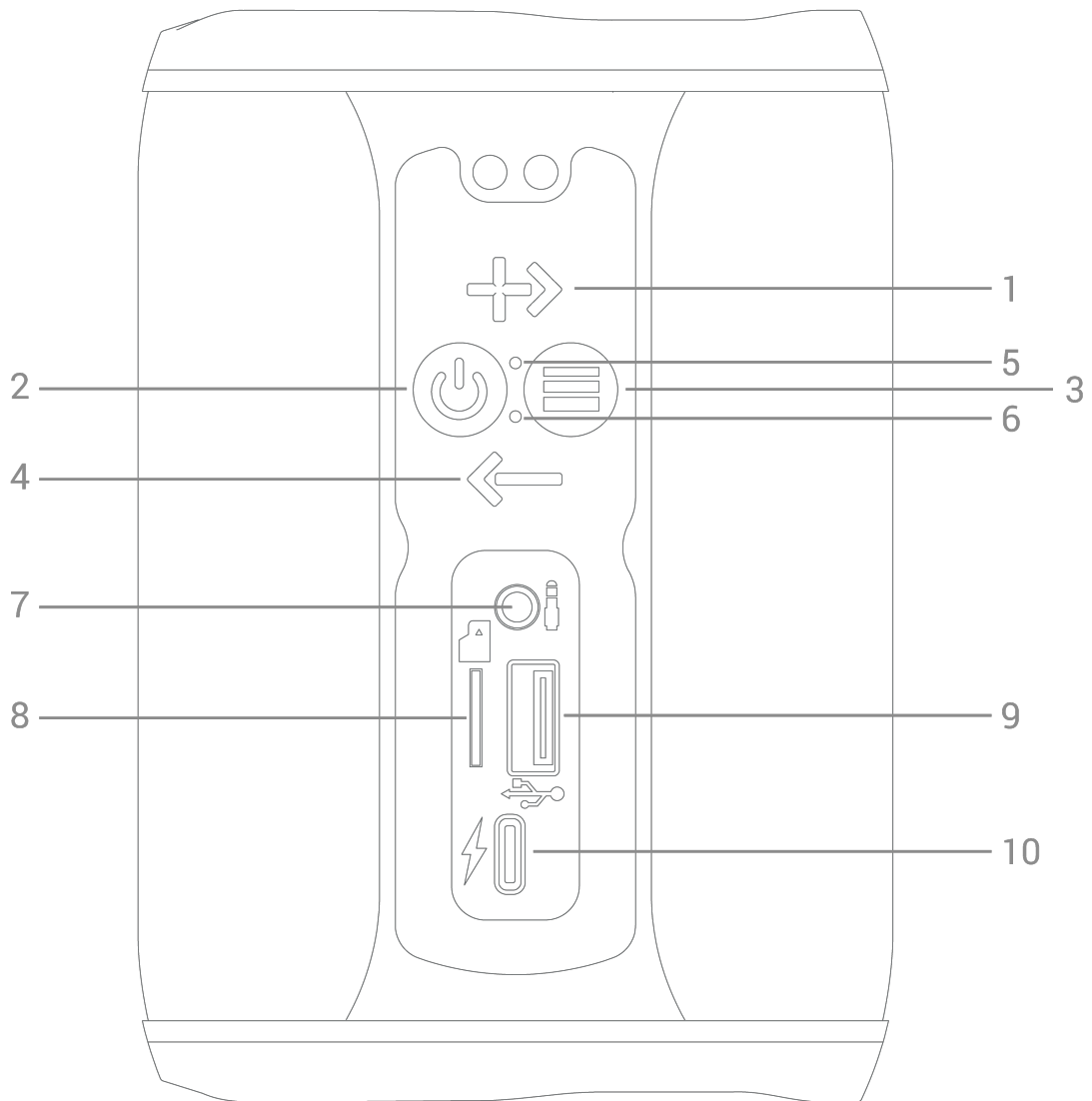
This value is approximate. The battery life depends on the selected volume, type of music and lighting mode.

This value is approximate. Charging time may vary depending on the charger used.

Product content

- Urban Box Supernova
- USB Type-C cable for battery charge
- Quick guide

General overview



1. Volume +/Next
2. On/Off/Play/Pause/Calls/Lighting
3. Playback mode/Voice assistant
4. Volume -/Back
5. LED indicator
6. Microphone
7. Auxiliary audio input
8. MicroSD card slot
9. USB port
10. USB Type-C charging port

Main Functions

Switching on and off the device

To switch on your *Urban Box Supernova*, press and hold *On/Off/Play/Pause/Calls/Lighting* (2) for 2 seconds. At this point

you will hear a confirmation sound. The *LED indicator (5)* lights up blue.

To switch off the device, press and hold *On/Off/Play/Pause/Calls/Lighting (2)* for 2 seconds. You will also hear a confirmation sound. At this point the *LED indicator (5)* switches off.

Important: To force the device to shut down, press the hidden reset button inside the *Auxiliary audio input (7)*.

Playback modes

Once the *Urban Box Supernova* is on, you can choose the playback mode you prefer. To do so, press *Playback mode/Voice assistant (3)* repeatedly until finding the preferred playback mode. Playback modes will appear in the following order:

Bluetooth --> MicroSD --> USB --> Audio-in

You will also hear the word identifying each mode.

Playback control

Select a playback mode and you will be able to control all playback functions from your *Urban Box Supernova*.

Press *On/Off/Play/Pause/Calls/Lighting (2)* to play or pause a song.

Press *Volume +/Next (1)* or *Volume -/Back (4)* to adjust the volume to your liking. You will hear a warning sound when reaching the maximum volume.

Press and hold *Volume +/Next (1)* or *Volume -/Back (4)* for 2 seconds to skip to the next or previous track.

When using a removable storage unit such as a USB stick or microSD card, you only have to press *Playback mode/Voice assistant (3)* twice to skip to another folder. To enable shuffle mode, press and hold the very same button for 2 seconds. You will hear a confirmation sound every time you enable/disable shuffle mode.

Important: Bear in mind that you can only control playback from the connected music player while using the *Auxiliary audio input (7)*.

Bluetooth® pairing

To pair your speaker with a source device via Bluetooth, press *Playback mode/Voice assistant (3)*. Select Bluetooth mode. At this point the *LED indicator (5)* flashes blue. You will hear a confirmation sound when the device enters search mode.

Access the Bluetooth settings on the source device and search for *Urban Box Supernova* among the detected devices. Select it to establish the connection. Both devices will be connected immediately and you will hear a confirmation sound.

Your *Urban Box Supernova* connects to the last paired device automatically when you turn it back on, provided the Bluetooth connection on the source device is enabled.

Your *Urban Box Supernova* turns off automatically after 5 minutes if not paired with any device.

The Bluetooth wireless connection range is up to 20 metres.

TWS (True Wireless Stereo)

This technology allows you to wirelessly connect another *Urban Box Supernova* within a maximum distance range of 20 meters to increase power. This way you will create a stereo sound system with separate left and right channels.

To do so, pair one of the speakers with your smartphone via the Bluetooth connection. Once you have done this, switch on the second speaker and enable Bluetooth mode.

Press and hold *Playback mode/Voice assistant (3)* for 2 seconds on both speakers. A few seconds later you will hear a sound confirming both devices are correctly paired.

You will hear the music through both speakers at the same time. One speaker will be assigned the left channel (L) and the other one the right channel (R).

Next time you turn on both speakers, they will pair with one another automatically, provided that Bluetooth mode is enabled on both units.

If you want to disable the True Wireless Stereo function, press and hold *Playback mode/Voice assistant (3)* for 2 seconds on any of them. You will hear a confirmation sound. Both speakers will be disconnected.

Skip to the next/previous track and adjust the volume from any speaker while TWS mode is enabled. If you turn up the volume on any of the speakers, you will be turning up the volume of both of them at the same time.

Important: To use this function, Bluetooth mode must be enabled. In all other playback modes (USB, microSD or AUX-in) a TWS connection is not possible.

Removable storage units (USB sticks/MicroSD cards)

Your *Urban Box Supernova* plays .mp3 and .wav files from 64 GB USB sticks or microSD cards with FAT / FAT32 file system. Plug the microSD card into the *MicroSD card slot (8)* or the USB stick into the *USB port (9)*. The speaker plays the contents automatically a few seconds after inserting the storage unit.

If you turn off the *Urban Box Supernova* or select another playback mode, the internal memory will save the moment where you paused playback. This way music playback will always resume from the last track you listened to.

Press *On/Off/Play/Pause/Calls/Lighting (2)* to play or pause a song.

Press *Volume +/Next (1)* or *Volume -/Back (4)* to adjust the volume to your liking. You will hear a warning sound when reaching the maximum volume.

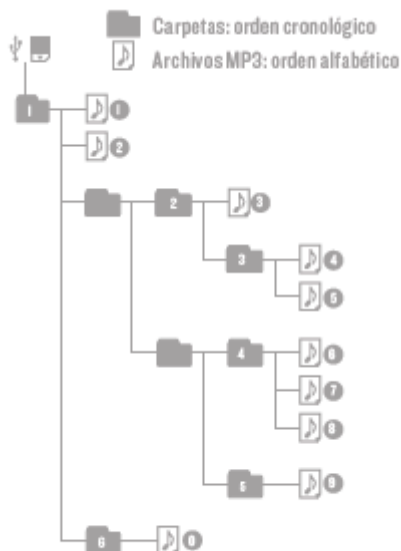
Press and hold *Volume +/Next (1)* or *Volume -/Back (4)* for 2 seconds to skip to the next or previous track.

Press *Playback mode/Voice assistant (3)* twice to skip to another folder.

To enable or disable shuffle mode, press and hold *Playback mode/Voice assistant (3)* for 2 seconds. You will hear a confirmation sound every time you enable/disable this mode.

The root folders and files of your removable USB sticks and microSD cards will be read in chronological order and the songs included in the folders in alphabetical order.

Here you have a diagram of the reading order:



Auxiliary audio input

Your *Urban Box Supernova* features an *Auxiliary audio input (7)* to connect your external devices using an audio cable with 3.5 mm mini jack plug.

Note:

- It is not possible to control music playback from the speaker while using this mode. You will have to use the connected music player instead.
- The maximum volume depends directly on the power of the signal transmitted by the source device.

Call control (Hands-free function)

You can control your calls from the speaker itself. To do so, pair the *Urban Box Supernova* with your smartphone.

When receiving a call, the song you are listening to stops and the ringing tone sounds instead. Press *On/Off/Play/Pause/Calls/Lighting (2)* to answer the call. Press it once again to hang up.

Important: If you receive an incoming call while TWS mode is enabled, you will only hear the voice of the person who calls through the speaker connected to your smartphone.

Voice Assistant

The *Urban Box Supernova* allows you to activate your smartphone's voice assistant. You only have to press *Playback mode/Voice assistant (3)* twice. This way you will directly activate your smartphone's assistant via wireless Bluetooth connection.

This function allows you to ask questions and use voice commands to perform tasks naturally and easily.

You can also take a look at Google Assistant and Siri user guides, available on their manufacturers' websites.

Lighting modes

Once the *Urban Box Supernova* is on, you can choose the lighting mode you prefer. Press *On/Off/Play/Pause/Calls/Lighting (2)* twice to select the preferred mode. Lighting modes will appear in the following order:

Music --> Wave --> Brief --> Off

Charging the battery

When the battery level is below 10%, you will hear a sound reminding you to charge it. To charge the battery, plug the USB Type-C end of the provided USB cable into the *USB Type-C charging port (10)* and the other USB end into any device with a 5 V USB port (PC, USB wall charger, car charger, etc.). The LED of the *USB Type-C charging port (10)* lights up red and switches off when fully charged.

The speaker has an approximate battery life of 7 hours. This value depends on the selected volume, type of music and lighting mode.

The charging time is approximately 2 hours.

Important:

- Use a 5 V 2 A AC/DC power adapter.
- Do not leave your *Urban Box Supernova* completely discharged for a long time.

Reset

To force the device to shut down, press the hidden reset button inside the *Auxiliary audio input (7)*.

Important: Avoid using metallic objects when performing the reset.

Warranty

Find the full warranty terms and conditions at:

<https://www.energysistem.com/terms-warranty>

Declaration of conformity

Issuer's name: Energy Sistem Technology, S.A. - CIF: A53107488

Address: C/ Calpe, 1 - 03509 Finestrat, Alicante (Spain)

Tel: +34 966 830 324

We declare under our sole and exclusive responsibility that the product:

Description: wireless speaker

Brand: Energy Sistem

Model: Urban Box Supernova

Manufacturer: Energy Sistem Technology, S.A.

Manufacturing country: China

referred to in this declaration complies with the essential norms and standards

EN IEC 62368-1: 2020 + A11: 2020

EN 50663: 2017

EN 62479: 2010

ETSI EN 301 489-1 V2.2.3 (2019-11)

ETSI EN 301 489-17 V3.2.4 (2020-09)

EN 55032: 2015 + A11: 2020

EN 55035: 2017 + A11: 2020

ETSI EN 300 328 V2.2.2 (2019-07)

in conformity with the provisions of the Directive 2014/53/EU of the European Parliament and of the Council of 16th April 2014.

Finestrat, 1st June 2022



Miguel Ángel Aragüez García
Innovation and Technology Director



Ovaj dokument je originalno proizveden i objavljen od strane proizvođača, brenda Energy Sistem, i preuzet je sa njihove zvanične stranice. S obzirom na ovu činjenicu, Tehnoteka ističe da ne preuzima odgovornost za tačnost, celovitost ili pouzdanost informacija, podataka, mišljenja, saveta ili izjava sadržanih u ovom dokumentu.

Napominjemo da Tehnoteka nema ovlašćenje da izvrši bilo kakve izmene ili dopune na ovom dokumentu, stoga nismo odgovorni za eventualne greške, propuste ili netačnosti koje se mogu naći unutar njega. Tehnoteka ne odgovara za štetu nanесenu korisnicima pri upotrebi netačnih podataka. Ukoliko imate dodatna pitanja o proizvodu, ljubazno vas molimo da kontaktirate direktno proizvođača kako biste dobili sve detaljne informacije.

Za najnovije informacije o ceni, dostupnim akcijama i tehničkim karakteristikama proizvoda koji se pominje u ovom dokumentu, molimo posetite našu stranicu klikom na sledeći link:

<https://tehnoteka.rs/p/energy-sistem-bluetooth-zvucnik-supernova-portable-plavi-akcija-cena/>