

## Uputstvo za upotrebu (EN)

ENERGY SISTEM bluetooth zvučnik FS600

ENERGY  SISTEM



Tehnoteka je online destinacija za upoređivanje cena i karakteristika bele tehnike, potrošačke elektronike i IT uređaja kod trgovinskih lanaca i internet prodavnica u Srbiji. Naša stranica vam omogućava da istražite najnovije informacije, detaljne karakteristike i konkurentne cene proizvoda.

Posetite nas i uživajte u ekskluzivnom iskustvu pametne kupovine klikom na link:

<https://tehnoteka.rs/p/energy-sistem-bluetooth-zvucnik-fs600-akcija-cena/>

## ENGLISH

<b>Introduction</b> .....	3
<b>Care and maintenance</b> .....	3
<b>Technical specifications</b> .....	4
Audio .....	4
Wireless connectivity .....	4
TWS technology compatible with .....	4
Audio input .....	4
Audio output .....	4
USB and SD playback .....	4
Battery .....	4
<b>Product content</b> .....	4
<b>General overview</b> .....	4
<b>Main Functions</b> .....	5
<b>Switching on and off the device</b> .....	5
<b>Playback modes</b> .....	5
Bluetooth --> SD --> USB --> AUX .....	5
<b>Playback control</b> .....	6
<b>Bluetooth (BT)</b> .....	6
<b>True Wireless Stereo (TWS)</b> .....	6
<b>Removable USB sticks/SD cards</b> .....	6
<b>Auxiliary audio input</b> .....	7
<b>Equaliser (EQ)</b> .....	8
<b>Charging the battery</b> .....	8
<b>Resetting the device</b> .....	8
<b>Warranty</b> .....	8
<b>CE Declaration of conformity</b> .....	8
<b>UKCA Declaration of conformity</b> .....	9



ENERGY♥SYSTEM



# Speaker FS600.

Manual de usuario / User manual  
Manual de l'utilisateur / Manual do usuário

## Introduction

---

Thank you for trusting our company and buying the new *Speaker FS600*. We hope you enjoy it.

Before you start using the device, we strongly recommend reading this manual to get used to it.

## Care and maintenance

---

- Do not expose your *Speaker FS600* to impacts, dust, humidity or high temperatures.
- Use neither corrosive nor abrasive cleaning products.
- Do not disassemble the device. All repair works should be carried out exclusively by qualified staff of Energy Sistem Technology, S.A.

## Technical specifications

---

### Audio

- System: 2.1
- Power: 20 W
- 2 full range speakers: 1.5?, 5 W + 1 woofer: 2.75?, 10 W
- Frequency response: 50 Hz - 18 kHz
- Signal/Noise ratio: > 80 dB

### Wireless connectivity

- Bluetooth v5.0, class II. Up to 20 m distance range.
- Compatible Bluetooth profiles: HSP / HFP / A2DP / AVRCP
- Frequency band: 2.4 GHz (2.402 ~ 2.480 GHz).
- Maximum output power: < 20 dBm
- Hands-free function. Microphone sensitivity: -42 dB
- True Wireless Stereo (TWS) technology

### TWS technology compatible with

- Speaker FS600

### Audio input

- 3.5 mm mini jack stereo audio-in (AUX)

### Audio output

- 3.5 mm mini jack stereo audio output for headphones

### USB and SD playback

- SD and USB decoder: reads MP3 and WAV files stored on external units (up to 128 GB) with FAT/ FAT32 file system.

### Battery

- Capacity: 4000 mAh / 3.7 V
- Type: lithium polymer
- Battery life: up to 12 hours\*
- Charging port: USB Type-C
- Charging time: 3 hours
  
- The battery life depends on the selected volume and the type of music.

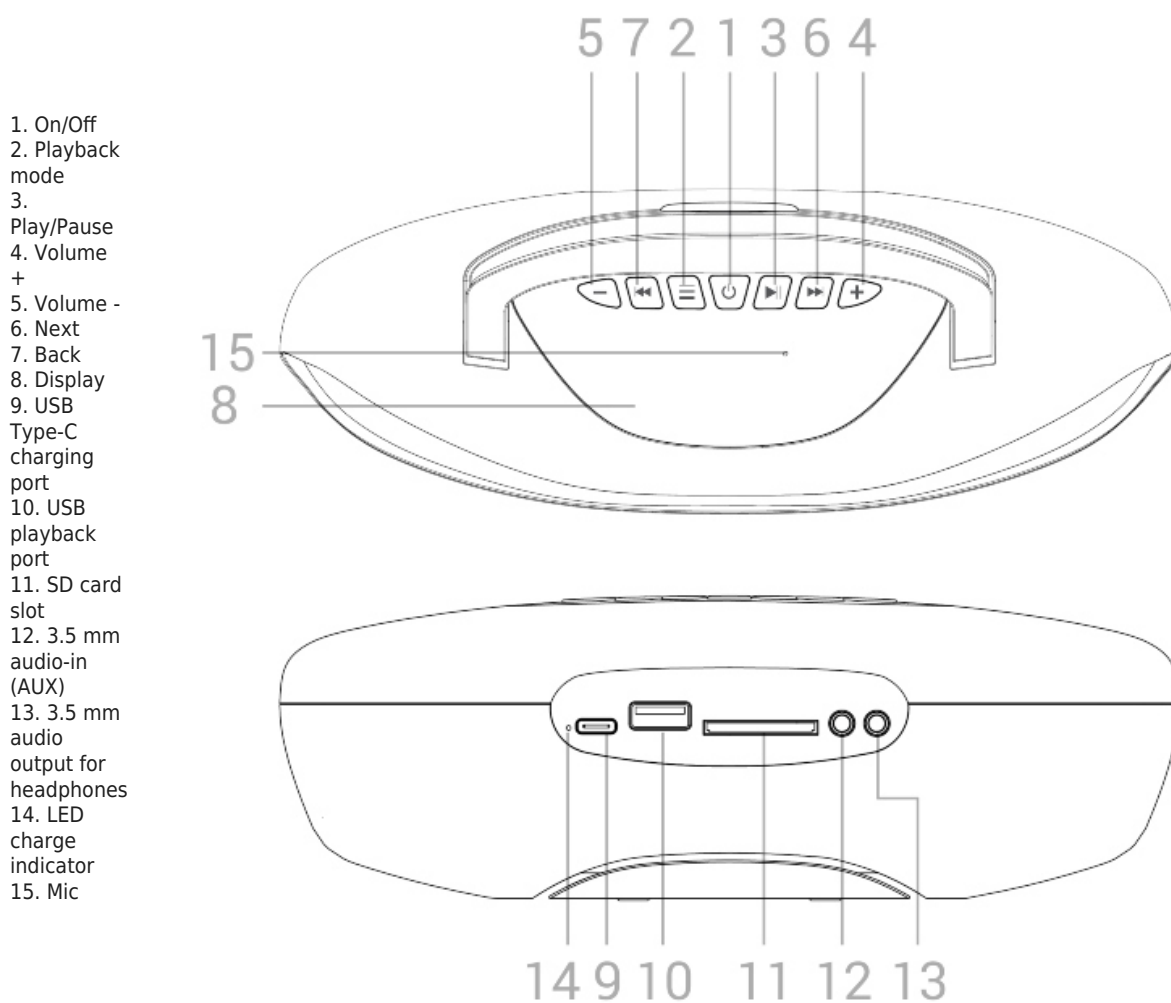
## Product content

---

- Speaker FS600
- USB Type-C cable to charge the battery
- Quick guide

## General overview

---



## Main Functions

### Switching on and off the device

To switch on your *Speaker FS600*, press and hold *On/Off* (1) on the top panel for 3 seconds. At this point, the *Display* (8) lights up showing the selected playback mode.

Press and hold *On/Off* (1) on the top panel for 3 seconds to switch off the device. The *Display* (8) will switch off.

**Note 1:** When switching on the device, it will always enable the last selected playback mode.

### Playback modes

Once the *Speaker FS600* is on, you can choose the playback mode you prefer. To do so, press *Playback mode* (2) repeatedly until finding the preferred playback mode. Playback modes will appear in the following order:

Bluetooth --> SD --> USB --> AUX

If you plug a removable storage unit (USB stick or SD card) or use the AUX input, your *Speaker FS600* will enable the corresponding playback mode and will play the content automatically.

## Playback control

---

Select a playback mode and you will be able to control all playback functions from your *Speaker FS600*.

Press *Play/Pause (3)* to play or pause a song.

Press *Volume - (5)* or *Volume + (4)* to adjust the volume level according to your preferences.

Press *Back (7)* or *Next (6)* to skip to the previous or next song.

**Important:** If you are using the AUX input, you will have to control playback from the connected music player.

## Bluetooth (BT)

---

To pair your speaker with a Bluetooth device, press *Playback mode (2)* until Bluetooth mode is enabled. The Bluetooth symbol (bt) will flash on the *Display (8)*.

At this point, access the Bluetooth settings on the device and search for *Energy Sistem Speaker FS600* among the detected devices. Select it to establish the connection. The devices will be connected immediately. You will hear a sound confirming both devices are correctly paired. At this point, the Bluetooth symbol (bt) is displayed permanently on the display.

Your *Speaker FS600* will automatically pair with your source device when you turn the speaker on again, provided that Bluetooth is enabled on the source device.

Press and hold *Playback mode (2)* for 2 seconds to disconnect the current device and pair the *Speaker FS600* with a new one. You will hear a sound when both devices disconnect and the Bluetooth symbol (bt) will flash on the *Display (8)*.

## True Wireless Stereo (TWS)

---

This technology allows you to wirelessly connect a second *Speaker FS600* within a maximum distance range of 20 metres to increase power and create a stereo system with separate left and right channels.

To do so, pair one speaker with your smartphone via Bluetooth first. Once you've done this, switch on the second speaker and enable Bluetooth mode.

Press and hold *Play/Pause (3)* for 2 seconds on the speaker connected to the smartphone. At this point, the Bluetooth symbol (bt) flashes quickly on the display. A few seconds later you will hear a sound to confirm both speakers have been successfully synchronised.

You will hear the music through both speakers at the same time. A speaker will be assigned the left channel (L) and the other one the right channel (R).

The next time you turn on both speakers, they will pair with one another automatically.

To disable the True Wireless Stereo function, press and hold *Play/Pause (3)* for two seconds on any of your *Speaker FS600*. You will hear a confirmation sound when both units disconnect.

Skip to the next/previous track and adjust the volume from any speaker while TWS mode is enabled. If you turn up the volume on any of the speakers, you will be turning up the volume of both of them at the same time.

**Important:** This is only possible if Bluetooth mode is enabled. In all other playback modes (USB, SD or AUX-in) a TWS connection is not possible.

## Removable USB sticks/SD cards

---

Play .mp3 and .wav files from your USB sticks or SD cards (up to 128 GB). Plug the USB stick into the *USB playback port*

(10) or the SD card into the *SD card slot* (11). The speaker plays the contents automatically a few seconds after inserting the storage unit.

If you turn off your *Speaker FS600* or select another playback mode, the internal memory will save the moment where you paused playback. This way, music playback will always resume from the last track you listened to.

Press *Play/Pause* (3) to play or pause a song.

Press *Volume -* (5) or *Volume +* (4) to adjust the volume level according to your preferences.

Press *Back* (7) or *Next* (6) to skip to the previous or next song.

To select the next folder, press and hold *Playback mode* (2).

To select the preferred playback mode, press and hold *Play/Pause* (3) for 2 seconds. The information below will appear on the *Display* (8):

1) **ALL:** all USB or card contents will be repeated. The folders and files stored on your removable storage units will be read in chronological order.

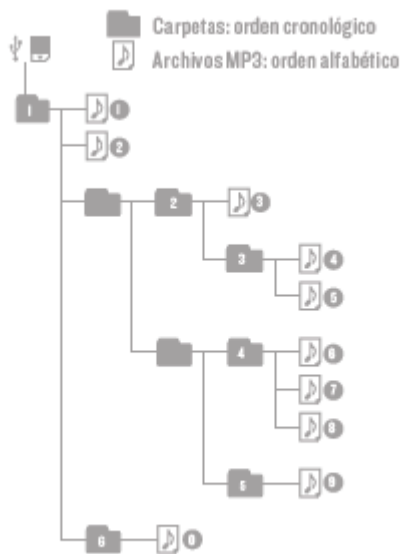
2) **ONE:** the song you are listening to will be repeated.

3) **RAN:** Random. Random playback of all the contents of your removable storage unit.

4) **FOLD:** Folder. The folder with the songs you are listening to will be repeated.

The root folders and files of your removable USB stick or SD card will be read in chronological order and the songs included in your folders in alphabetical order.

Here you have a diagram of the reading order:



## Auxiliary audio input

Your *Speaker FS600* features a *3.5 mm audio-in (AUX)* (12) to plug your music player using a 3.5 mm jack cable.

When using the audio-in (AUX), your *Speaker FS600* enters AUX mode automatically, thus showing it is ready to start playing content from an external device.

**Important:** If this mode is enabled, you will have to control playback from the connected music player.

## Equaliser (EQ)

---

The speaker features a digital equaliser with 5 preset modes. Press quickly 2 times the *Playback mode (2)* button to select the preferred EQ mode while the device is playing music. There are 5 EQ modes available:

EQ1: Flat or flat EQ.

EQ2: Bass, EQ for an extra bass boost.

EQ3: Treble, EQ for an extra treble boost.

EQ4: Mid high, EQ for a mid boost.

EQ5: Mid low, EQ for a mid cut.

## Charging the battery

---

When the battery level is at 90% or higher, the full battery symbol appears on the *Display (8)*. When it drops below 90%, the symbol disappears.

An empty battery symbol appears on the *Display (8)* when the battery level drops to 10%. The symbol flashes when it drops below 5% of its capacity. You will also hear a warning sound if it drops below 2%.

To charge the battery, plug the USB Type-C end of the provided USB cable into the *USB Type-C charging port (9)* and the other USB end to any device with a 5 V USB port (PC, USB wall charger, car charger, etc.). The LED next to the *USB Type-C charging port (9)* glows during the charging process.

The speaker has an approximate battery life of 12 hours at 75% of volume level. The battery life depends on the selected volume and the type of music.

The charging time is approximately 2 and a half hours.

*Important:*

- Use a 5 V 2 A AC/DC power adapter.
- Do not leave your *Speaker FS600* completely discharged for a long time.

**Note:** The speaker will automatically reduce the volume when the battery level is low in order to protect the battery and optimize battery life.

## Resetting the device

---

You can reset your *Speaker FS600* by pressing the reset button inside the *3.5 mm audio output for headphones (13)* with a toothpick.

Note: Avoid using metallic objects when performing the reset.

## Warranty

---

You can check the warranty terms here:

<https://www.energysystem.com/terms-warranty>

## CE Declaration of conformity

---

Issuer's name: Energy System Technology, S.A. - CIF: A53107488

Address: C/ Calpe, 1 - 03509 Finestrat, Alicante (Spain)  
Tel: +34 966 830 324

We declare under our sole and exclusive responsibility that the product:

Description: portable wireless speaker  
Brand: Energy Sistem  
Model: Speaker FS600  
Manufacturer: Energy Sistem Technology, S.A.  
Manufacturing country: China

referred to in this declaration is in compliance with the following European Union directives:

EN 50663:2017; EN 62479:2010  
EN 62368-1:2020+A11:2020  
EN 301 489-1 V2.2.3 (2019-11)  
EN 300 328 V2.2.2 (2019-07)  
EN 303 345-1 V1.1.0 (2019-06)

in conformity with the provisions of the Directive 2014/53/EU of the European Parliament and of the Council of 16th April 2014.

Finestrat, 1st June 2021



Miguel Ángel Aragüez García  
Innovation and Technology Director



## UKCA Declaration of conformity

---

Issuer's name: Energy Sistem Technology, S.A. - CIF: A53107488  
Address: C/ Calpe, 1 - 03509 Finestrat, Alicante (Spain)  
Tel: +34 966 830 324

We declare under our sole and exclusive responsibility that the product:

Description: portable wireless speaker  
Brand: Energy Sistem  
Model: Speaker FS600  
Manufacturer: Energy Sistem Technology, S.A.  
Manufacturing country: China

referred to in this declaration is in compliance with the essential norms and standards

EN 300 328 V2.2.2 (2019-07)  
EN 301 489-17 V3.2.4 (2020-09)  
EN 301 489-1 V2.2.3 (2019-11)  
EN 50663:2017; EN 62479:2010  
EN 62368-1:2014+A11:2017

in conformity with the provisions of the Directive UK: Radio equipment Regulations 2017.

Finestrat, 1st June 2021



Miguel Ángel Aragüez García  
Innovation and Technology Director

**UK  
CA**



Miguel Ángel Aragüez García  
Innovation and Technology Director

**CE**

Ovaj dokument je originalno proizveden i objavljen od strane proizvođača, brenda Energy Sistem, i preuzet je sa njihove zvanične stranice. S obzirom na ovu činjenicu, Tehnoteka ističe da ne preuzima odgovornost za tačnost, celovitost ili pouzdanost informacija, podataka, mišljenja, saveta ili izjava sadržanih u ovom dokumentu.

Napominjemo da Tehnoteka nema ovlašćenje da izvrši bilo kakve izmene ili dopune na ovom dokumentu, stoga nismo odgovorni za eventualne greške, propuste ili netačnosti koje se mogu naći unutar njega. Tehnoteka ne odgovara za štetu nanесenu korisnicima pri upotrebi netačnih podataka. Ukoliko imate dodatna pitanja o proizvodu, ljubazno vas molimo da kontaktirate direktno proizvođača kako biste dobili sve detaljne informacije.

Za najnovije informacije o ceni, dostupnim akcijama i tehničkim karakteristikama proizvoda koji se pominje u ovom dokumentu, molimo posetite našu stranicu klikom na sledeći link:

<https://tehnoteka.rs/p/energy-sistem-bluetooth-zvucnik-fs600-akcija-cena/>