

Uputstvo za montažu i instalaciju

BARKAN nosač za televizor VTM410

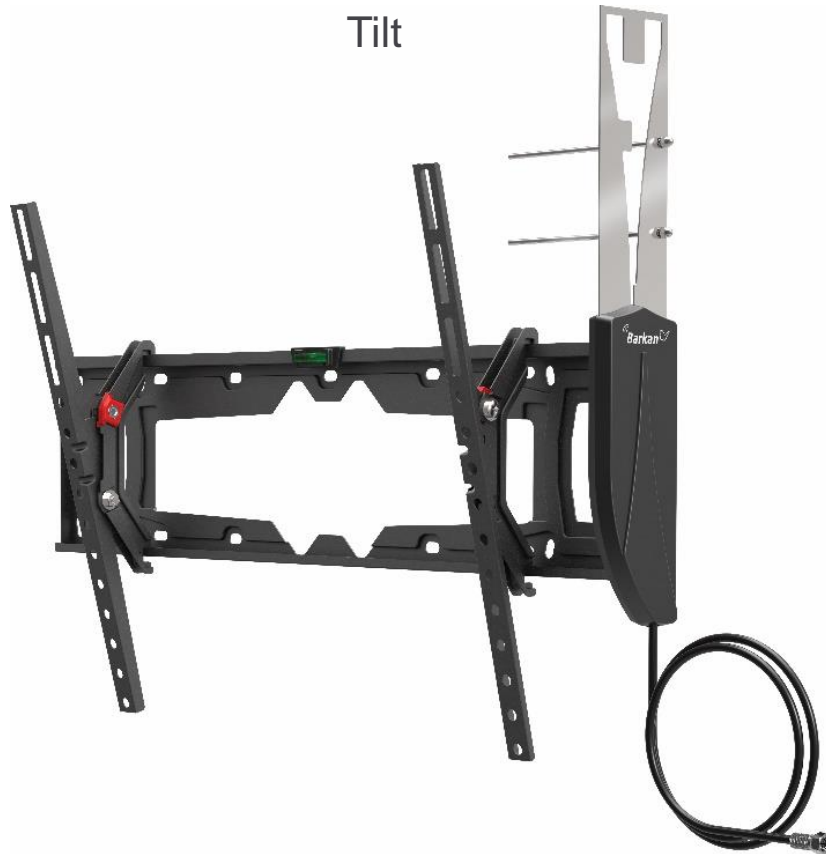


Tehnoteka je online destinacija za upoređivanje cena i karakteristika bele tehnike, potrošačke elektronike i IT uređaja kod trgovinskih lanaca i internet prodavnica u Srbiji. Naša stranica vam omogućava da istražite najnovije informacije, detaljne karakteristike i konkurentne cene proizvoda.

Posetite nas i uživajte u ekskluzivnom iskustvu pametne kupovine klikom na link:

<https://tehnoteka.rs/p/barkan-nosac-za-televizor-vtm410-akcija-cena/>

TV Wall Mount with Integrated HDTV Indoor Antenna

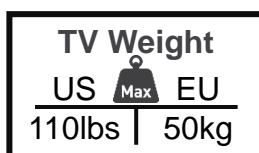


For optimal reception, make sure:

- You have a Smart TV, a TV with ATSC digital tuner or decoder.
- It is recommended to use the Antenna mount inside a room that has an outer wall.
- Your house is within the Digital HDTV OTA signal range (if you are not sure, check here – <https://tinyurl.com/zu5zagq>)

For more information: barkanmounts.com

If you are satisfied with the product, please give us a 5 stars ☆☆☆☆☆ rating on the website you bought it from. If you are not satisfied please contact us at <https://www.barkanmounts.com/support> and we will solve the problem for you.



Directional reception through the space
between the TV and the wall
Top view



**Safety instructions and installation warnings (provided separately)
must be read in full, prior to assembly.**

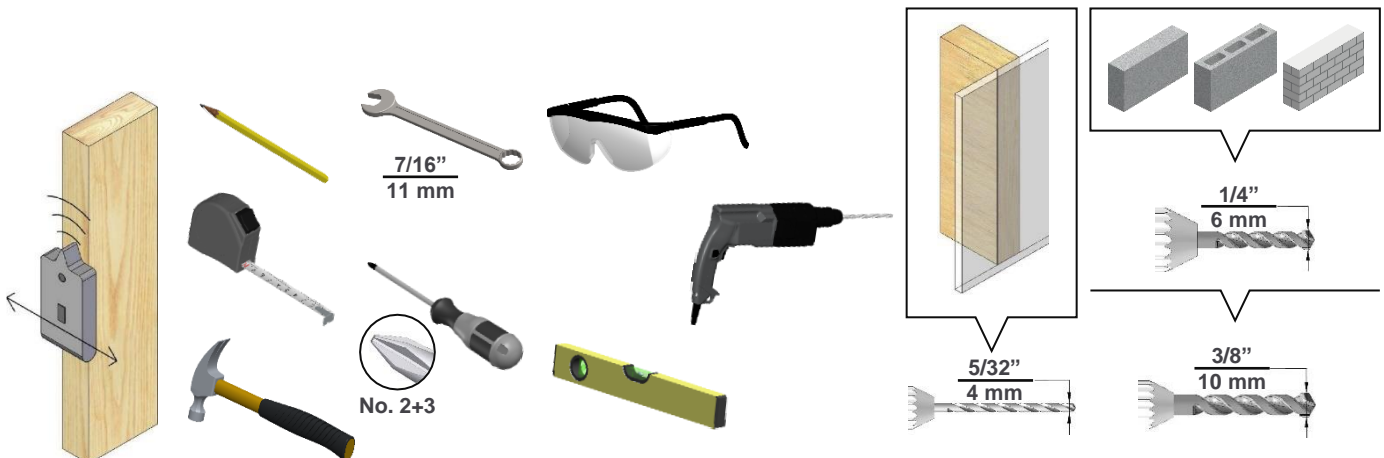
Included Parts not to scale

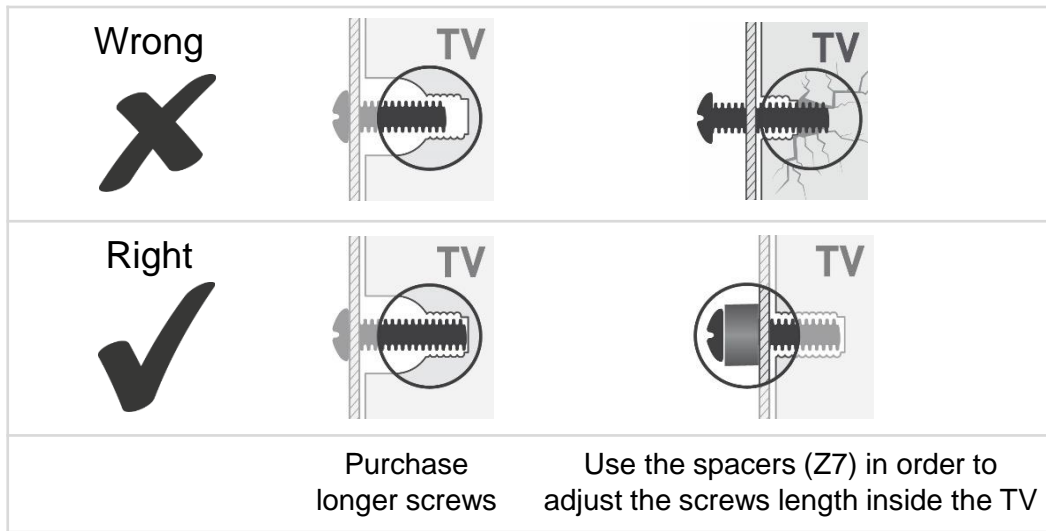
A Wall plate  x1	B Vertical rails  x1	C Vertical rails  x1	D Antenna core  x1
E American – European adaptor  x1	Z4  x4	Z7  x8	Z8 Bubble level  x1
W1  x5	W2  x5	W3  x5	Y1  x2
Y2  x2	Y3  x2	Y4  x2	



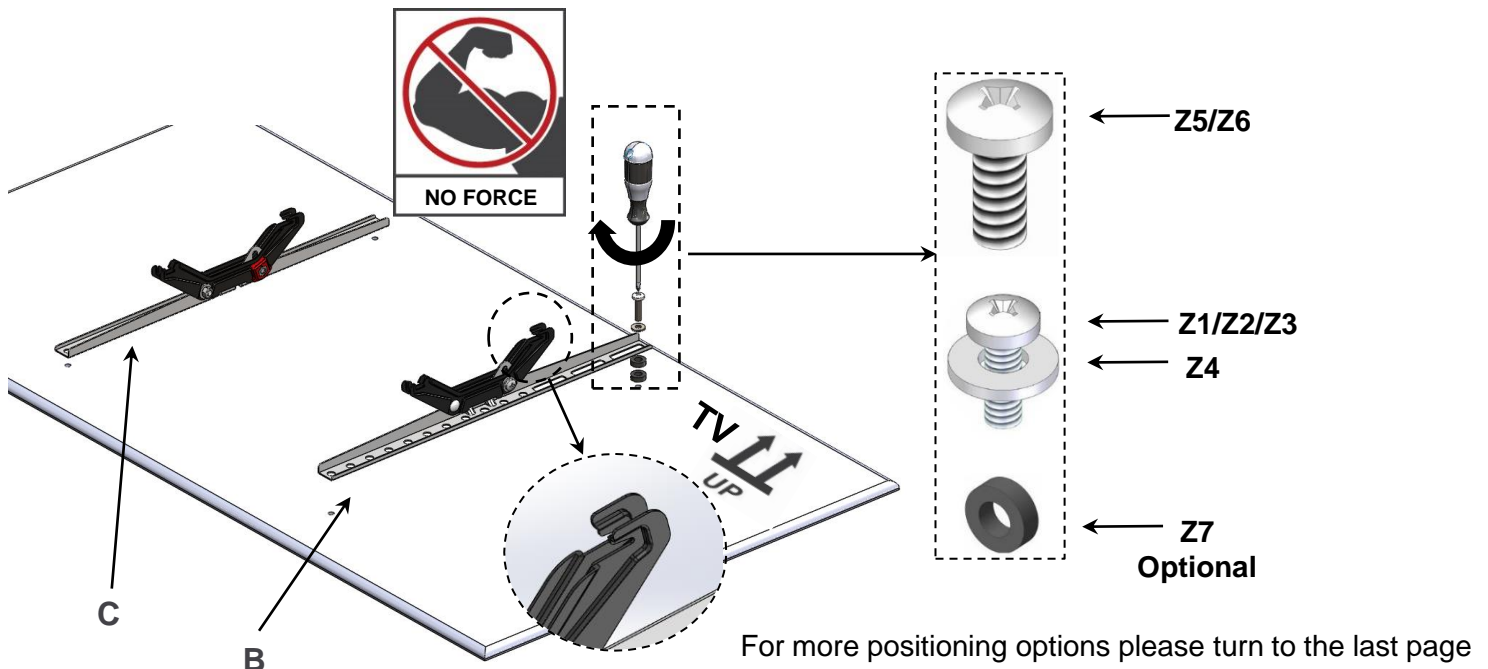
#	M	L mm	L inch	pcs
Z1	6	16	5/8	4
Z2	6	25	1	4
Z3	4	20	3/4	4
Z5	8	25	1	4
Z6	8	45	1 3/4	4

Required Tools

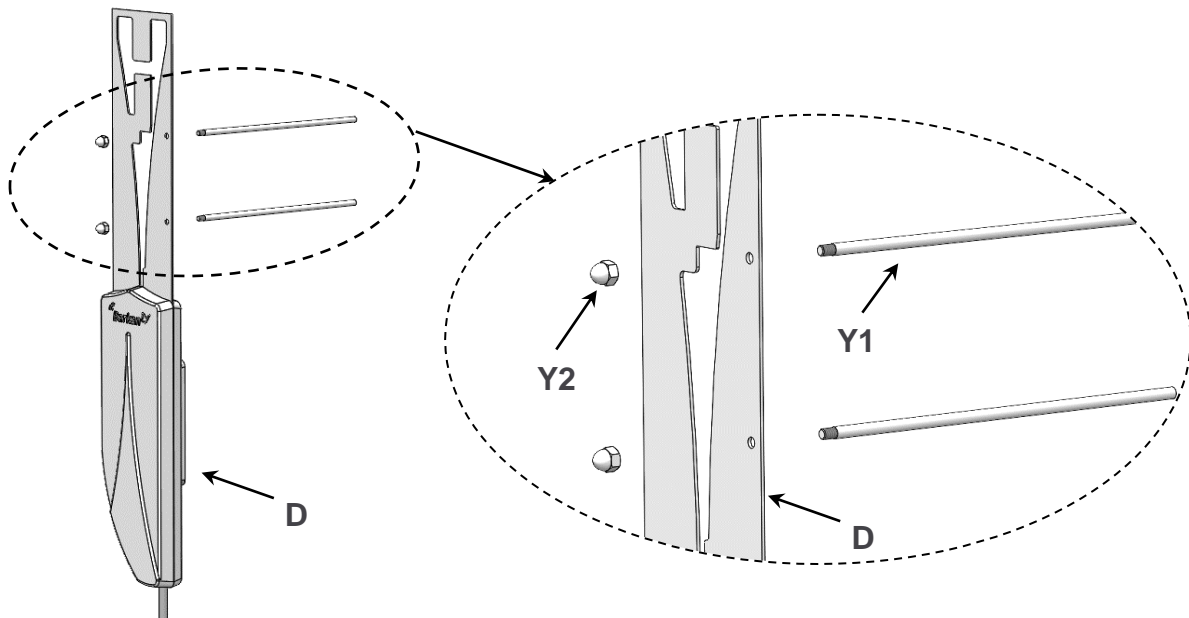




- 1 Connect parts B and C to the back of the TV at all 4 connection holes, while the plastic spacers (Z7) are under parts B and C. Choose the screws that fit the TV's mounting holes diameter.

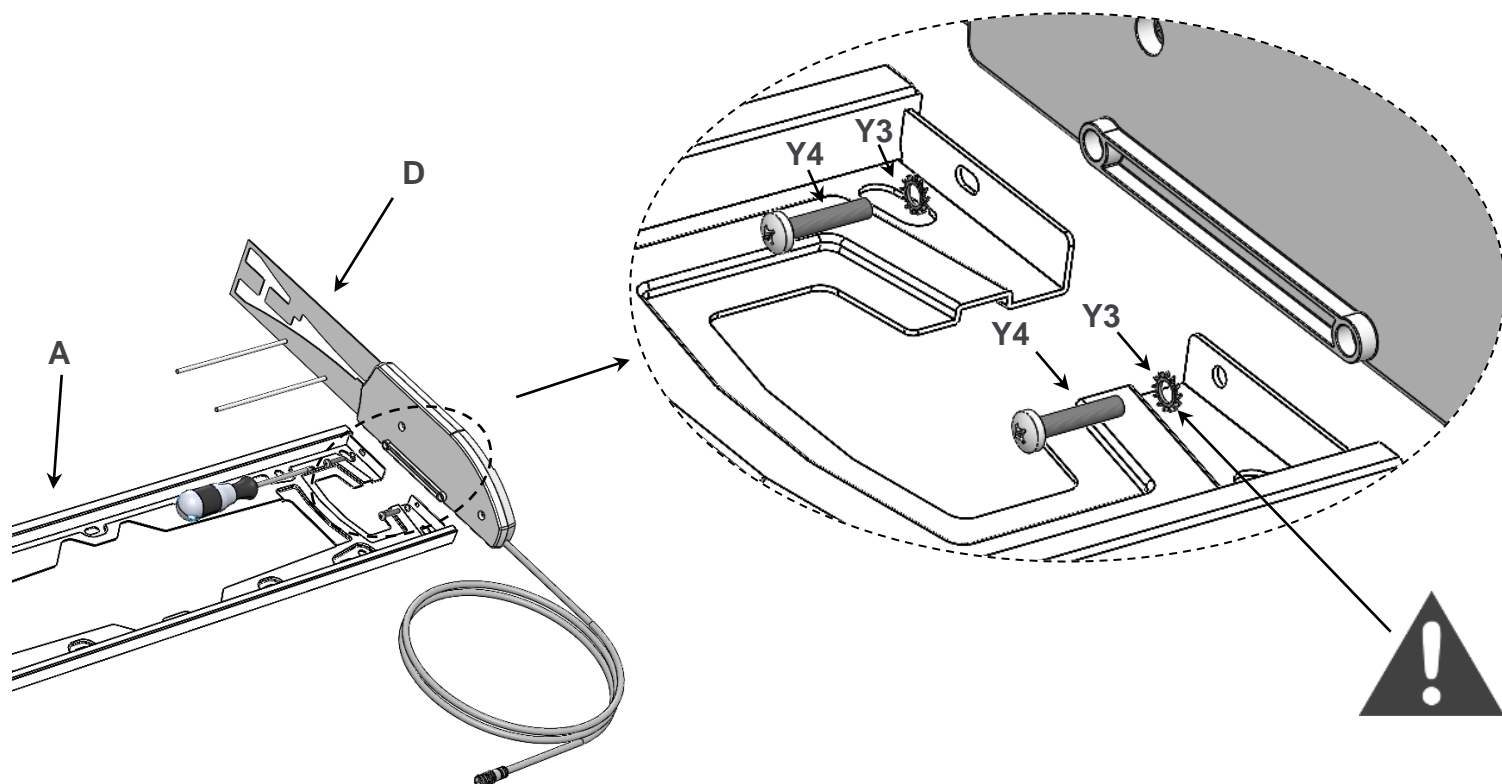


- 2 Connect parts Y1 to the Antenna core (D) using the Y2 nuts.



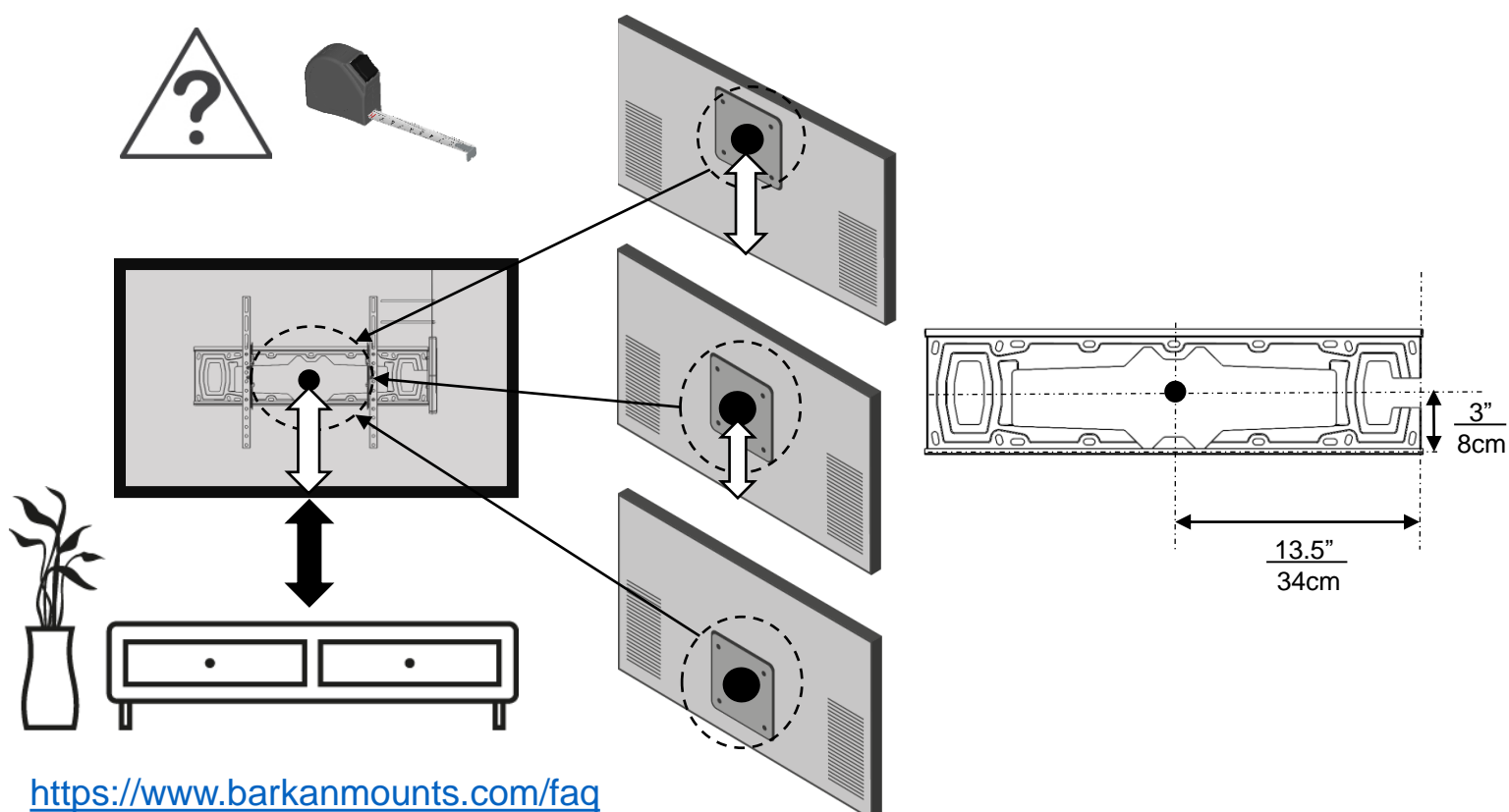
3 Connect the wall plate (A) and the antenna core (D) using the screw (Y4) and washer (Y3).

Make sure to place the Y3 washer from the inside of the wall plate.



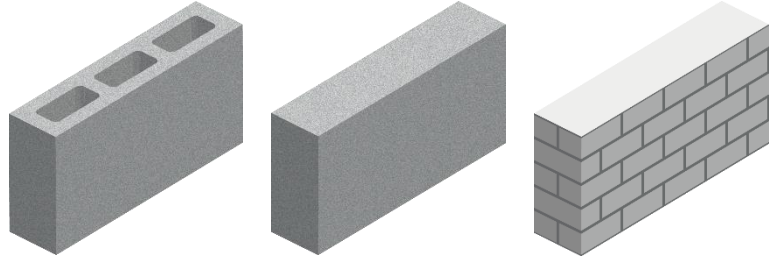
4 Install the Wall plate on the Wall

Measure the distance between the location of the TV's mounting holes center and the bottom of the TV, in order to set the required height of the TV



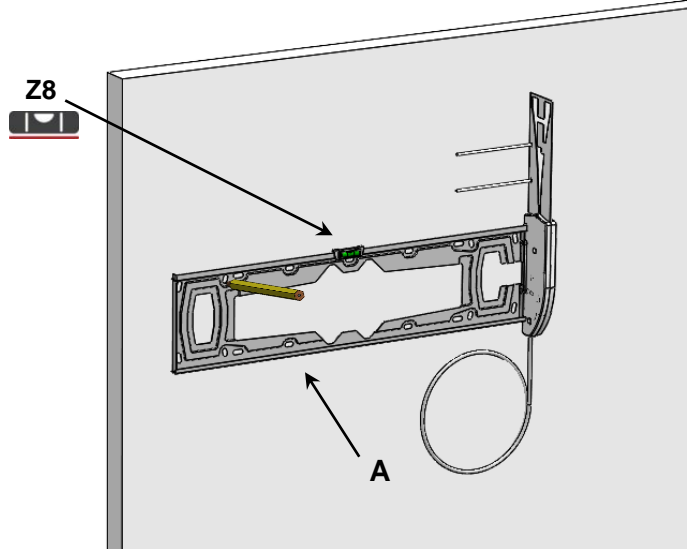
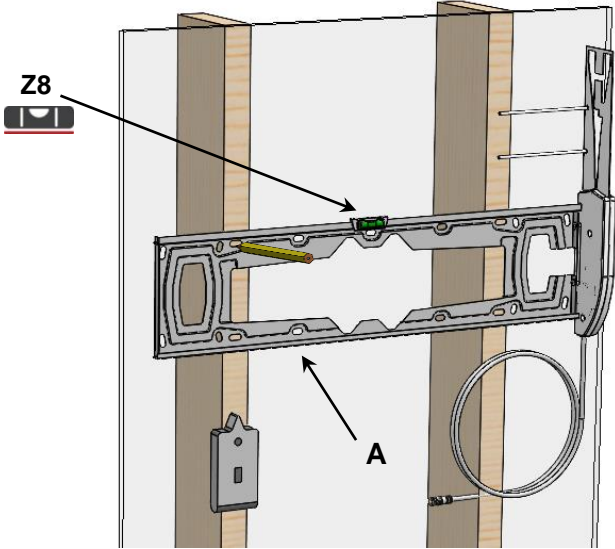
5

Follow the steps according to your wall type

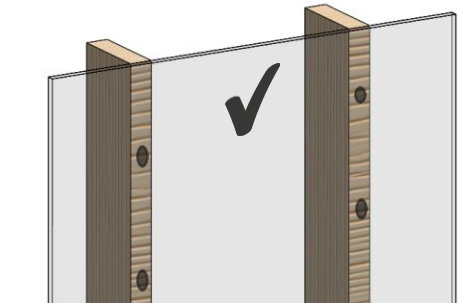
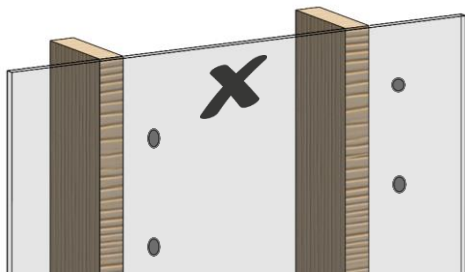
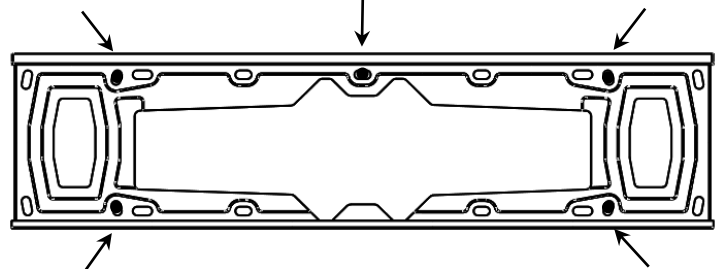
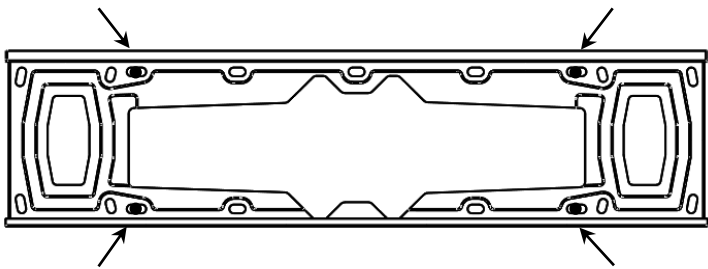


6

Mark the holes on the wall according to the required height



Use a Stud Finder



Make sure all holes are drilled inside the studs



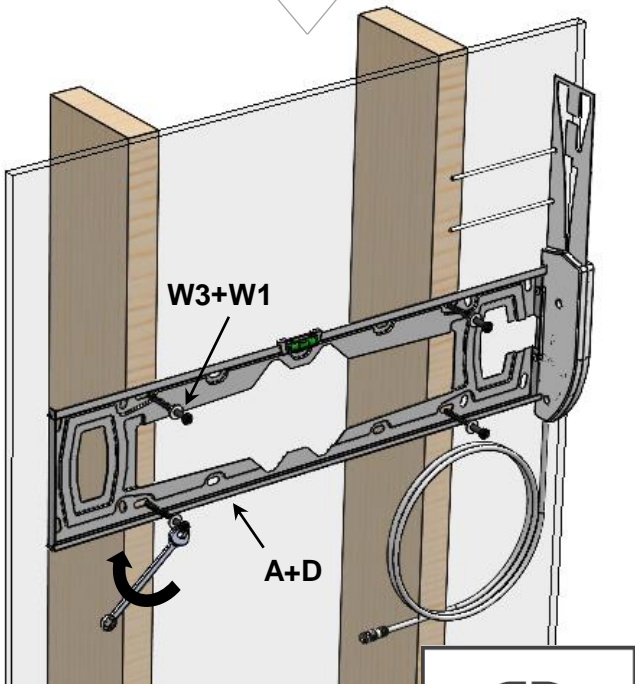
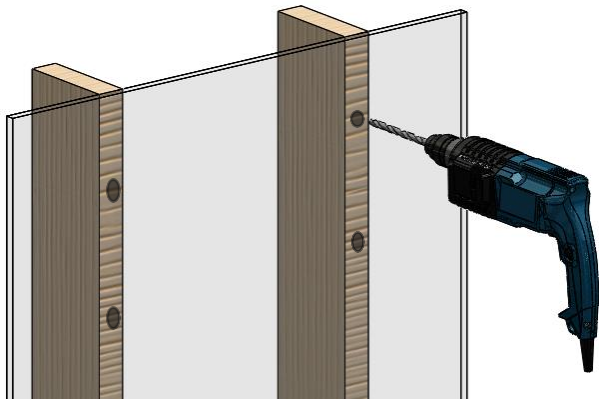
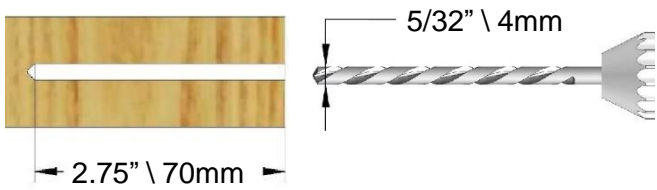
Make sure there are no electrical / water line in the wall before drilling and then drill according to the marking

➔ 6a

➔ 6b

6a

Drill with 5/32" \ 4mm drill bit

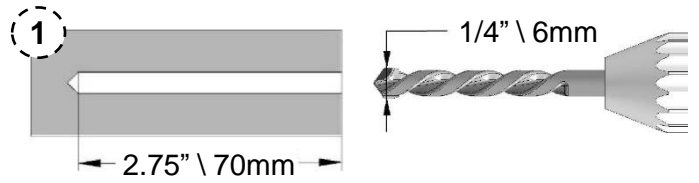


7/16" \ 11mm

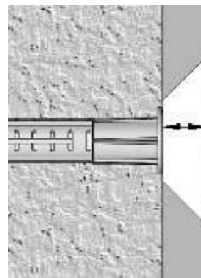
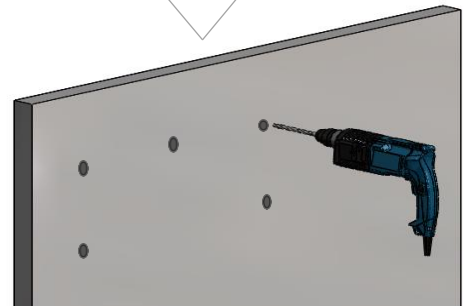
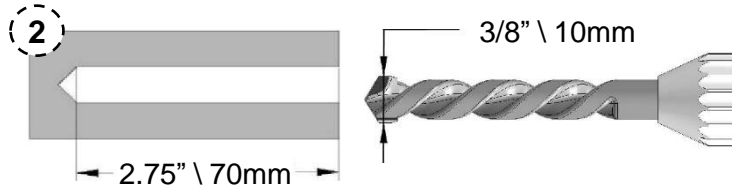


6b

First use 1/4" \ 6mm drill bit

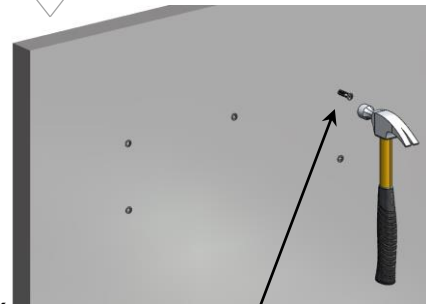


Afterwards use 3/8" \ 10mm drill bit

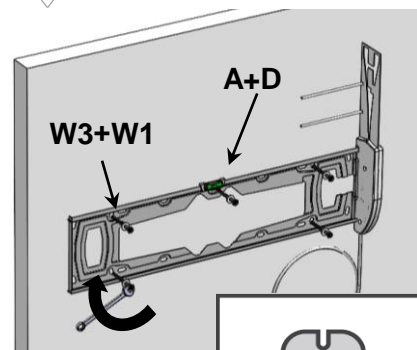
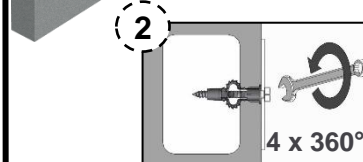
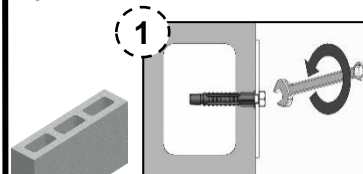
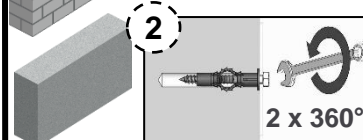
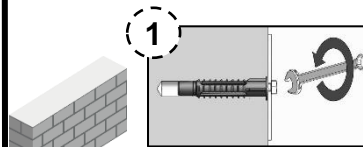


3/8" \ 10 mm

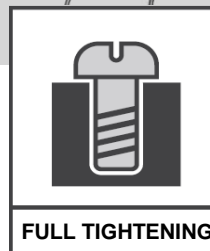
The anchor must be sunk at least 3/8"/10 mm into the plaster coating



W2

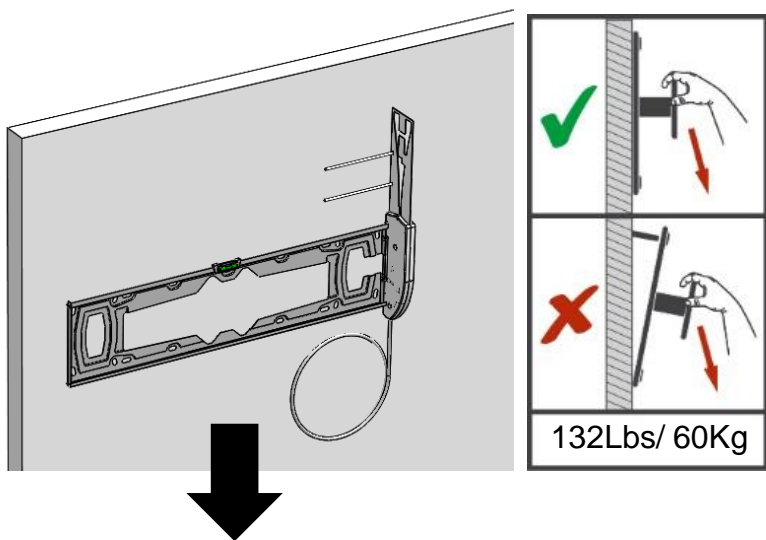


7/16" \ 11mm

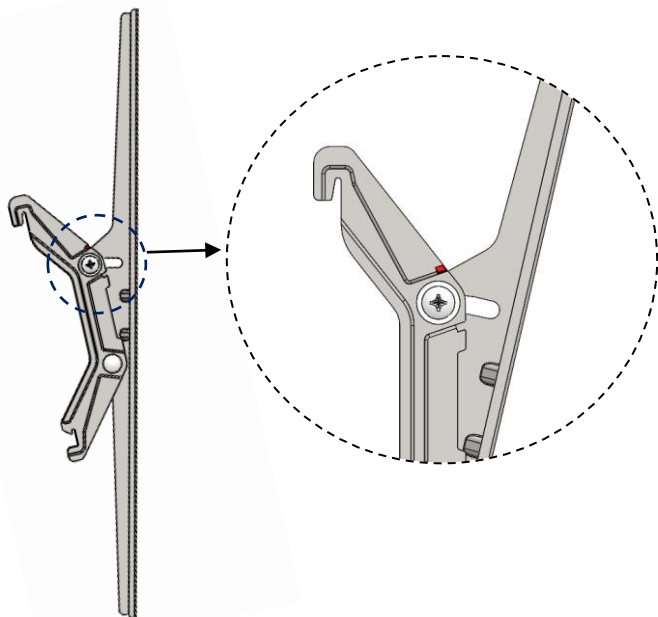


7 Weight test

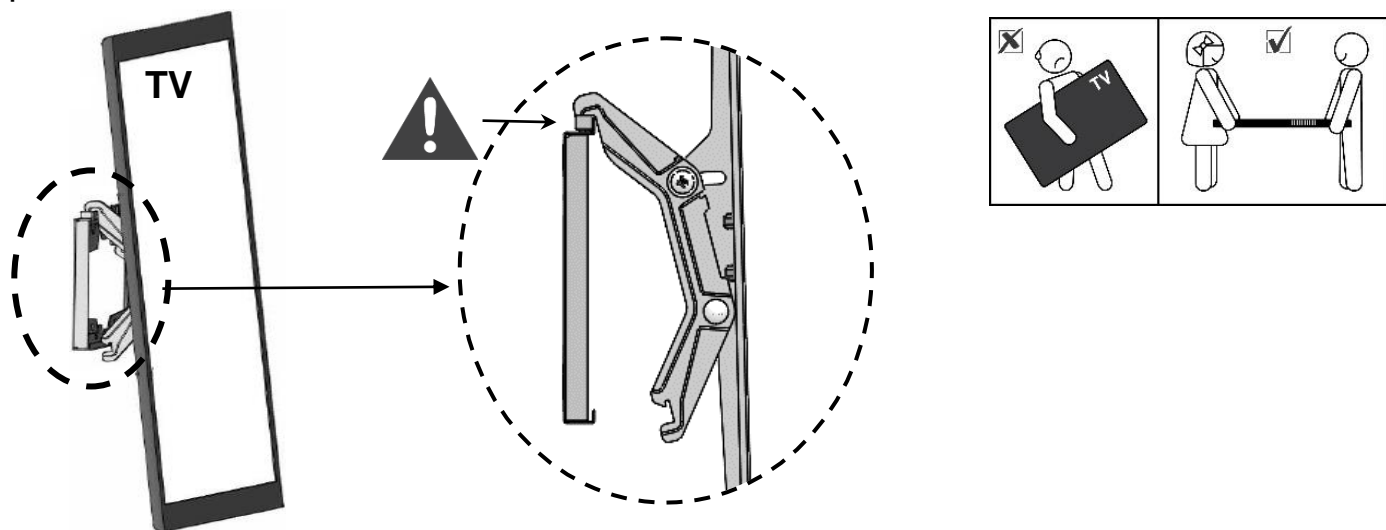
Apply force on the upper part of the wall plate and make sure it is well connected



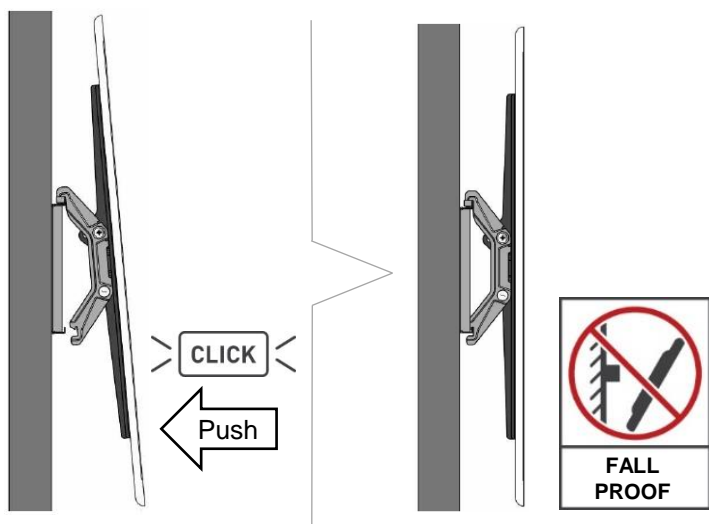
8 Tilt the mount to the maximum tilting angle



9 Connect the TV to the wall plate by hooking the upper part of the vertical rails on the wall plate



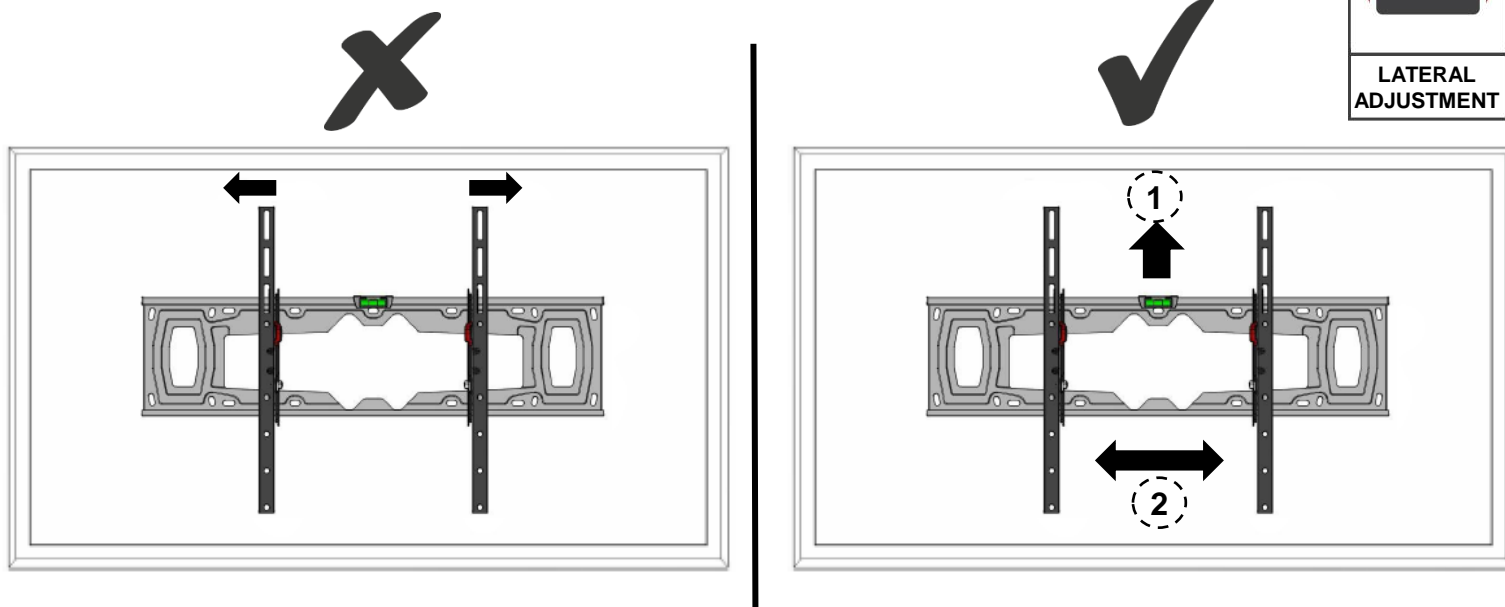
10 Push slightly until you hear a "click".



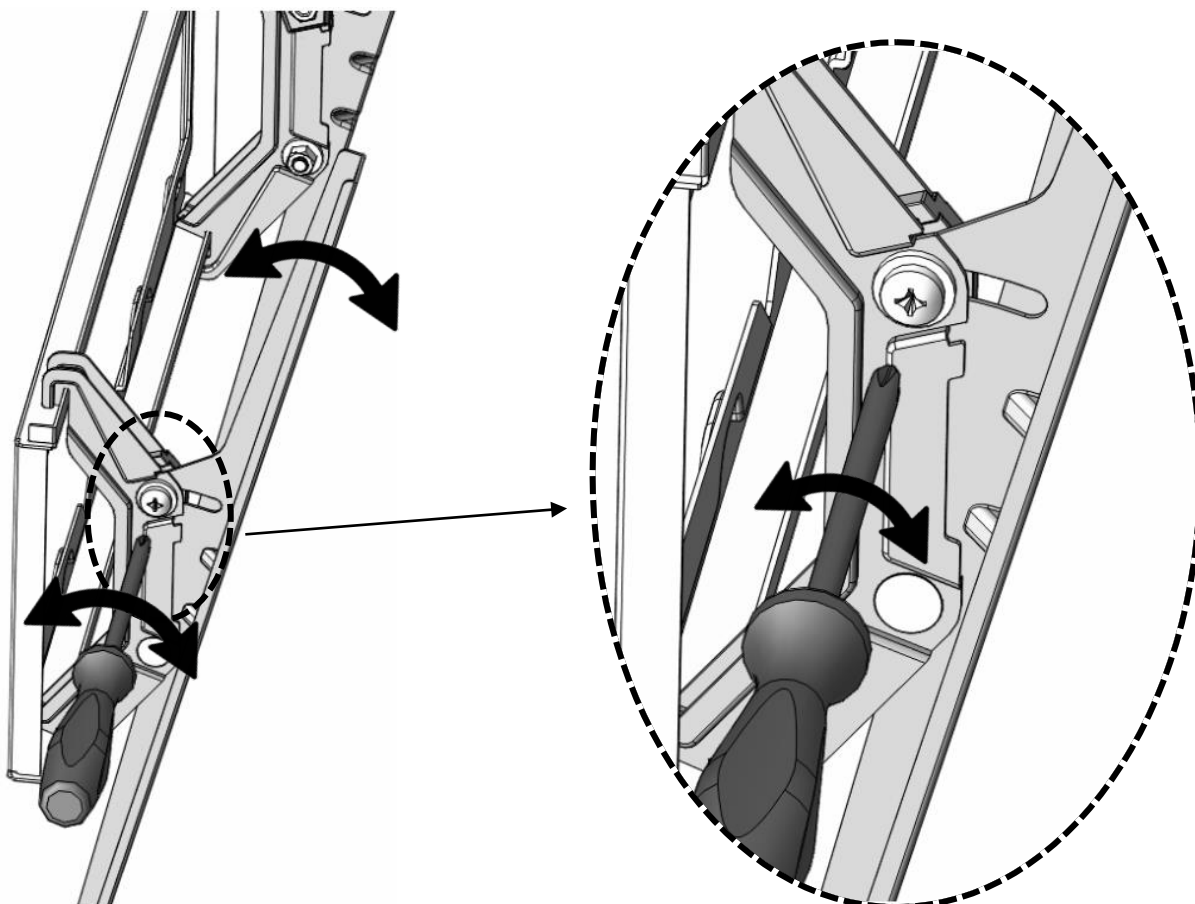
11 Test if the auto-lock mechanism is functioning.



- 12** To adjust the lateral position, first lift the screen and then move it to the required position.

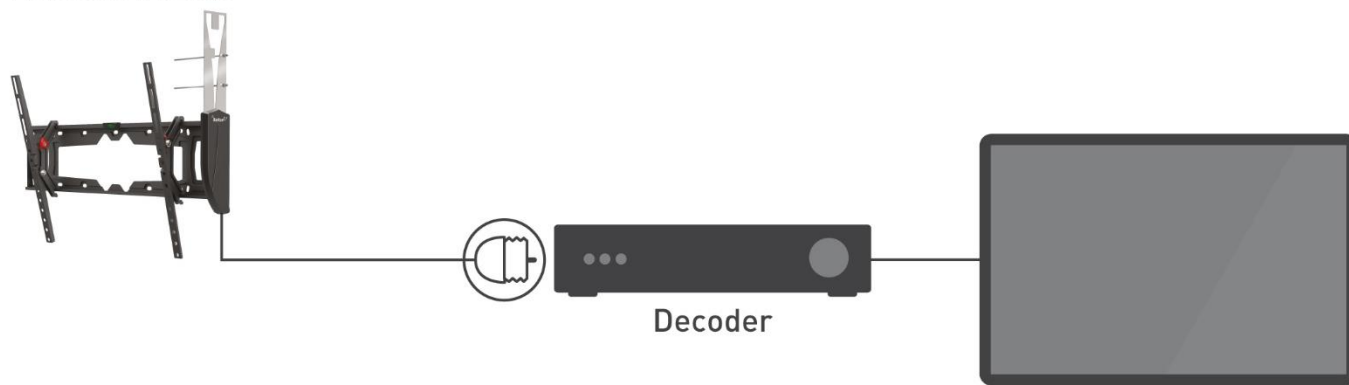


- 13** Tighten the screw in order to create the necessary friction for the tool free tilt mechanism.



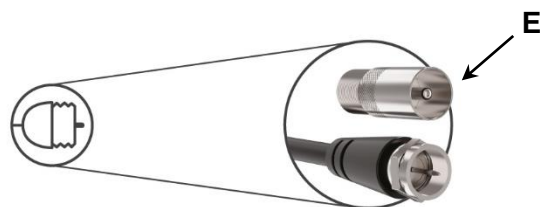
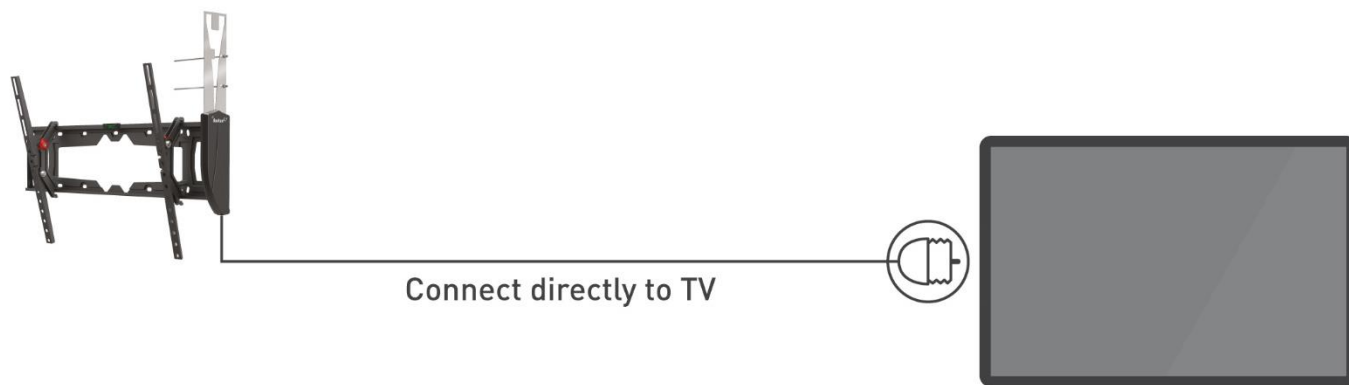
Regular TV

Antenna Mount



Smart TV/ TV with ATSC Digital Tuner

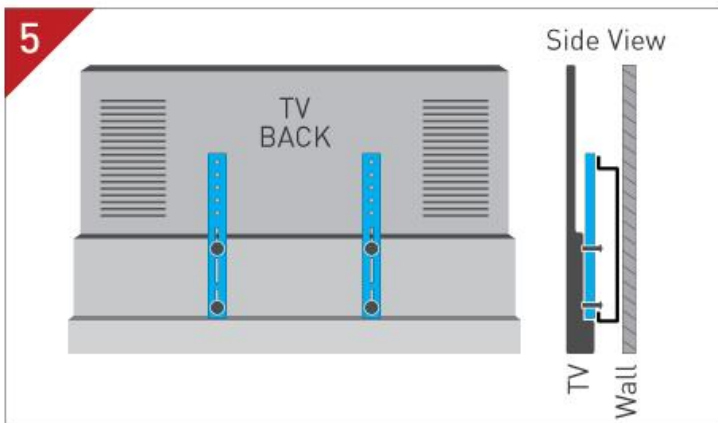
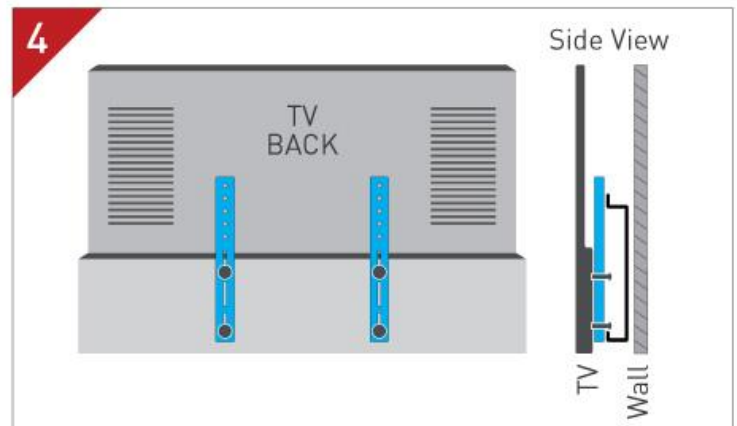
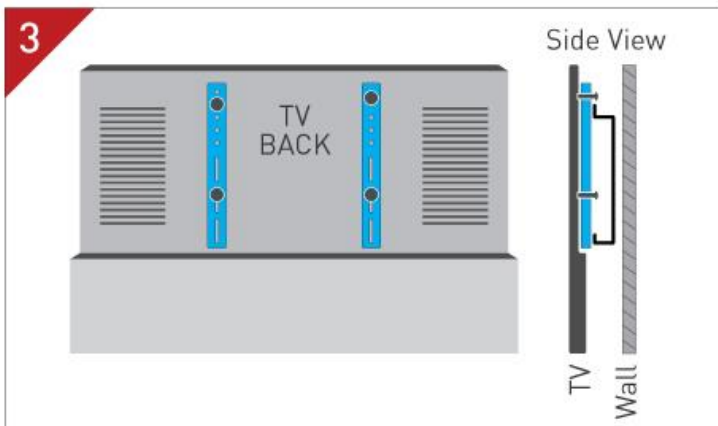
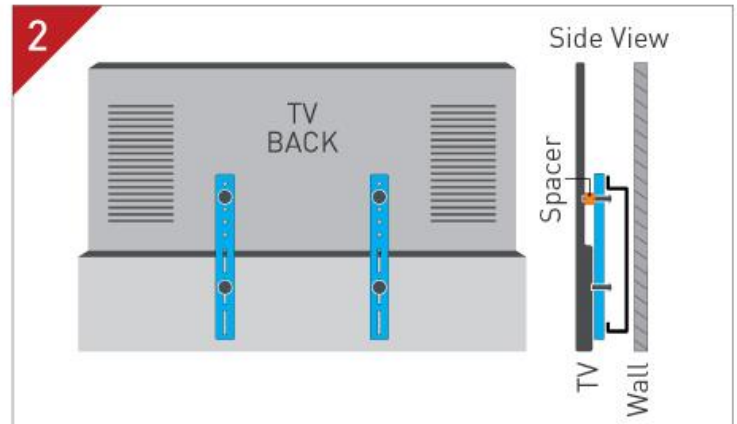
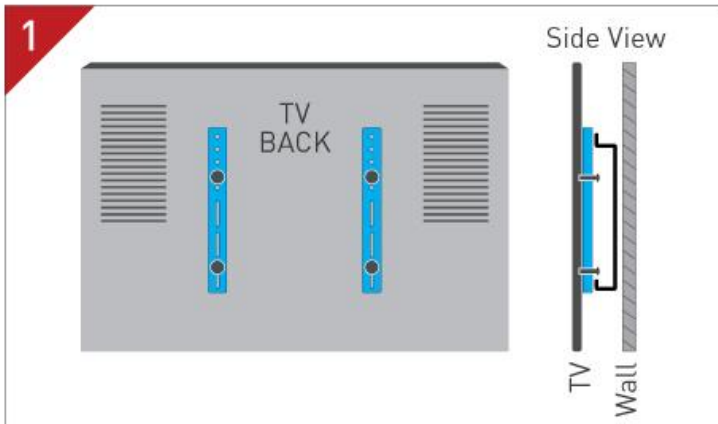
Antenna Mount



American - European adaptor is included

BACKSCREEN CONNECTION POSITIONING OPTIONS

A few sizes of vertical rails (marked in blue) for TV backscreen connections are available. The positions are (Width x Height) 75x75 - 600x400 millimeters.



If your backscreen connections are not included in any of the positions, please contact us

www.barkanmounts.com/support

Ovaj dokument je originalno proizveden i objavljen od strane proizvođača, brenda Barkan, i preuzet je sa njihove zvanične stranice. S obzirom na ovu činjenicu, Tehnoteka ističe da ne preuzima odgovornost za tačnost, celovitost ili pouzdanost informacija, podataka, mišljenja, saveta ili izjava sadržanih u ovom dokumentu.

Napominjemo da Tehnoteka nema ovlašćenje da izvrši bilo kakve izmene ili dopune na ovom dokumentu, stoga nismo odgovorni za eventualne greške, propuste ili netačnosti koje se mogu naći unutar njega. Tehnoteka ne odgovara za štetu nanесenu korisnicima pri upotrebi netačnih podataka. Ukoliko imate dodatna pitanja o proizvodu, ljubazno vas molimo da kontaktirate direktno proizvođača kako biste dobili sve detaljne informacije.

Za najnovije informacije o ceni, dostupnim akcijama i tehničkim karakteristikama proizvoda koji se pominje u ovom dokumentu, molimo posetite našu stranicu klikom na sledeći link:

<https://tehnoteka.rs/p/barkan-nosac-za-televizor-vtm410-akcija-cena/>