

## Uputstvo za upotrebu (EN)

FIELDMANN usisivač za suvo i mokro usisavanje FDU 2003-E



Tehnoteka je online destinacija za upoređivanje cena i karakteristika bele tehnike, potrošačke elektronike i IT uređaja kod trgovinskih lanaca i internet prodavnica u Srbiji. Naša stranica vam omogućava da istražite najnovije informacije, detaljne karakteristike i konkurentne cene proizvoda.

Posetite nas i uživajte u ekskluzivnom iskustvu pametne kupovine klikom na link:

<https://tehnoteka.rs/p/fieldmann-usisivac-za-suvo-i-mokro-usisavanje-fdu-2003-e-akcija-cena/>



**FIELDMANN**<sup>®</sup>  
Home & Garden Performance



FDU 2003-E

1



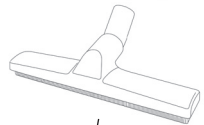
10



14

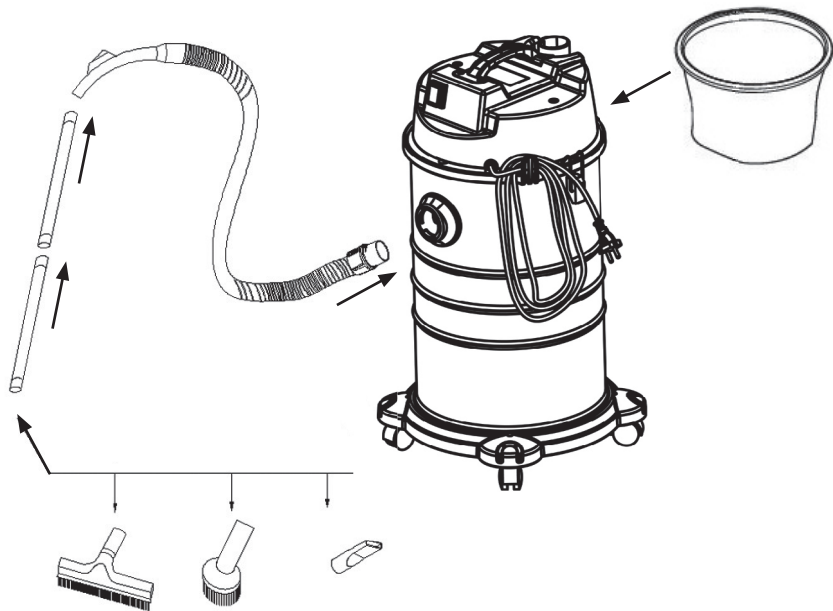


16

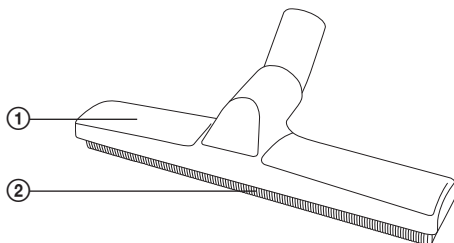


15

2



3



# Wet&Dry Vacuum Cleaner

## OPERATING INSTRUCTIONS

**Thank you for buying this ash vacuum cleaner. Before using it, please read carefully this operating manual and retain it for further use.**

## CONTENTS

FIGURES .....	3
1. GENERAL SAFETY INSTRUCTIONS.....	8
2. EXPLANATION OF INSTRUCTION LABELS ON THE MACHINE .....	13
3. MACHINE DESCRIPTION AND SCOPE OF DELIVERY .....	14
4. IMPORTANT SAFETY INSTRUCTIONS .....	15
5. SAFETY MEASURES .....	18
6. VACUUM CLEANER ASSEMBLY .....	19
7. OPERATING INSTRUCTIONS! .....	19
8. FILTER CLEANING .....	19
9. TECHNICAL DATA .....	20
10. DISPOSAL .....	21

# 1. GENERAL SAFETY INSTRUCTIONS

## Important safety warnings


- ✿ Unpack the product carefully and be sure not to throw away any part of the package before having found all components of the product.
- ✿ Keep the product in a dry place out of reach of children.
- ✿ Read all cautions and instructions. The failure to adhere to warning cautions and instructions may result in an accident, fire and/or a serious injury.

## Packaging

The product is placed in a package preventing damage during transport. This package is a raw material therefore it can be handed-over for recycling.

## Instructions for use

Before beginning to work with the machine, read the following safety rules and instructions for use. Familiarize with operating elements and the proper use of the device. Keep the manual in a safe place for future reference. We recommend keeping the original package including the inner packaging materials, cash voucher and guarantee card for a period of warranty at minimum. For a case of transportation, pack the machine into the original box from the manufacturer, thus ensuring a maximum protection of the product during a possible transport (e.g. moving or sending into a service station).

-  **Note:** If you hand the machine over to next persons, hand it over together with the manual. Adherence to the attached instructions for use is a precondition for the proper use of the machine. The operation manual includes also instructions for operation, maintenance and repairs.

**The manufacturer does not take any responsibility for accidents or damages resulting from the failure to adhere to this manual.**

## Carefully read, remember and keep these safety instructions

**⚠ WARNING!** In the use of electric machines and power tools, it is necessary to respect and follow the following safety instructions for the reasons of protection against electric shock, personal injury and danger of fire. The term “power tool” in the instructions below refers both to mains-operated (corded) power tool or battery-operated (cordless) power tool. Save all warnings and instructions for future reference.

### Workplace

- ✿ Keep the work area clean and well lit. Cluttered or dark areas in the workplace invite accidents. Store power tools that you don't currently use.
- ✿ Do not operate power tools in environments with danger of occurrence of a fire or explosion, such as in the presence of flammable liquids, gases, or dust. Power tools create sparks which may ignite the dust or fumes.
- ✿ Keep unauthorised persons, especially children, away from the work area while operating a power tool! Distractions can cause you to lose control over the performed activity. In no event leave your power tool unattended. Keep the equipment away from animals.

### Electrical Safety

- ✿ Power tool plugs must match the mains socket outlet. Never modify the plug in any way. Do not use any adapter plugs with earthed (grounded) power tools. Undamaged plugs and matching outlets will reduce risk of electric shock. Damaged or fouled supply cables increase the risk of electric shock. If the power cord is damaged, it must be replaced by a new power cord which is available at the authorised service centre or the importer.
- ✿ Avoid body contact with earthed or grounded surfaces such as pipes, radiators, cooking ranges and refrigerators. There is an increased risk of electric shock if your body is earthed or grounded.
- ✿ Do not expose power tools to rain or wet conditions. Never touch the power tool with wet hands. Never wash the power tool under running water or immerse it in water.
- ✿ Never use the supply cable for other than intended purposes. Never use the cord for carrying or pulling the power tool. Never unplug the plug from the outlet by pulling the cable. Keep electric cables away from sharp or hot objects to prevent mechanical damage.
- ✿ The power tool was designed to be powered solely by alternating electric current. Always check if the electric voltage matches the information specified in the type label of the power tool.
- ✿ Never use power tool with damaged electric cable or plug or which has been dropped or is in any way damaged.

- ✿ If an extension cord is used, always check whether its technical parameters match the information specified in the type label of the power tool. When operating a power tool outdoors, use an extension cord suitable for outdoor use. If extension drums are used, these must be rolled out to prevent overheating of the cord.
- ✿ If a power tool is operated in a damp location or outdoors, its operation is only permitted if connected to an electric circuit protected by a residual current device <math><30\text{ mA}</math>. Use of residual current device (RCD) reduces the risk of electric shock.
- ✿ Hold the power tool by insulated gripping surfaces only as the cutting or drilling tool may contact hidden wiring or its own power cord during operation.

## Personal Safety

- ✿ Be careful, stay alert and watch what you are doing when operating a power tool. Concentrate on your work. Do not use a power tool while you are tired or under the influence of drugs, alcohol or medication. A moment of inattention while operating power tools may result in serious personal injury. Do not eat, drink and smoke while operating a power tool.
- ✿ Use personal protective equipment. Always wear eye protection. Use protective equipment corresponding to the type of work you are doing. Protective equipment such as dust mask, non-skid safety shoes, hard hat, or hearing protection used in accordance with the working conditions will reduce the risk of personal injury.
- ✿ Prevent unintentional starting. Do not carry the power tool while it is energised or with your finger on the "switch or trigger. Ensure the switch or trigger is in the "off" position before connecting to power source. Carrying power tools with your finger on the switch or energising power tools that have the switch on may result in serious injuries.
- ✿ Remove any adjusting key or wrench before turning the power tool on. An adjusting wrench or a key left attached to a rotating part of the power tool may result in personal injury.
- ✿ Keep proper footing and balance at all times. Do not overreach. Never overestimate your own capabilities. Never use power tools while you are tired.
- ✿ Dress properly. Wear work clothes. Do not wear loose clothing or jewellery. Keep your hair, clothing, gloves and other part of your body away from moving or hot parts of the power tool.
- ✿ Connect the equipment to dust exhaustion. If the tools are provided for the connection of dust collection or exhaustion devices, ensure these are properly connected and used. Use of such devices can reduce dust-related hazards.
- ✿ Fix the work-piece tightly. Use a cabinet clamp or a clamp to fix the work-piece you are about to machine.
- ✿ Never use power tools if you are under the influence of alcohol, drugs, medication or other narcotic or addictive substances.
- ✿ This equipment is not intended for use by persons (including children) with limited physical, sensual or mental capacities or lack of experience or knowledge unless they are supervised or instructed about the use of the equipment by a person responsible for their safety. Children must be supervised to make sure they are not playing with the equipment.



## Power Tool Use and Maintenance

- ✿ Always disconnect the power tool from the mains in case of any problem during the work, before cleaning the power tool or its maintenance, during each transportation and after the completion of the work! Never operate a power tool if it is damaged in any way.
- ✿ Immediately stop working if the power tool generates abnormal noise or smell.
- ✿ Do not overload the power tool. The power tool will operate better and safer if it is used at the rate for which it was designed. Use correct power tool which is intended for the given activity. The correct power tool will do the job it was designed for better and safer.
- ✿ Do not use the power tool if it cannot be safely turned on and off using the control switch. Use of such power tool is dangerous. Defective switches must be repaired by a certified service provider.
- ✿ Disconnect the tool from the power source before making any adjustments, changing accessories or maintenance. Such preventive safety measure prevents the risk of starting the power tool accidentally.
- ✿ Store idle power tools out of the reach of children and unauthorised persons. Power tools can be dangerous in the hands of untrained users. Store the power tools in a dry and safe place.
- ✿ Keep the power tool in good condition. Check the adjustment of moving parts and their mobility. Check for any damage to the protective guards or other parts which could affect safe operation of the power tool. If damaged, have the power tool properly repaired before further use. Many accidents are caused by poorly maintained power tools.
- ✿ Keep cutting tools sharp and clean. Properly maintained cutting tools with sharp cutting edges facilitate work, reduce the risk of injury and are easier to control. Use of accessories other than those specified in the instructions for use could result in damage to the power tool and cause injuries.
- ✿ Use the power tool, accessories and tool bits etc. in accordance with these instructions and in the manner intended for the particular type of power tool taking into account the working conditions and the work to be performed. Use of the power tool for purposes other than those the power tool was intended for could result in hazardous situations.

## Use of Cordless Power Tools

- ✿ Before inserting the battery, make sure the switch is in the "O-OFF" position. Inserting a battery into a switched-on power tool could result in hazardous situations.
- ✿ Charge batteries only using the chargers prescribed by the manufacturer. Using a charger intended for other battery type could result in its damage and occurrence of fire.
- ✿ Use only batteries intended for particular power tool. Use of different batteries could cause injury or occurrence of fire.
- ✿ If the battery is not used, keep it separately from metal objects such as clamps, keys, bolts and other small metal items which could cause connection of one battery contact with the other. Short-circuiting the battery could result in injury, burns or occurrence of fire.

- ✿ Handle the batteries with care. Rough handling could result in leak of chemical substance from the battery. Avoid contact with such substance and if, nonetheless, any contact occurs wash the affected area under running water. If eyes get into contact with the chemical substance seek immediately medical aid. Chemical substance from the battery can cause serious injuries.

## Service

- ✿ Do not replace parts of the power tool, do not make any repairs or interfere in any way with the construction of the power tool. Have your power tool repaired by qualified repair persons.
- ✿ Any repair or modification of the product without our company's authorisation is impermissible (it could cause injury or damage to the user).
- ✿ Always have your power tool repaired in a certified service centre. Use only original or recommended replacement parts. This will ensure that your safety and the safety of your power tool is maintained.

## 2. EXPLANATION OF INSTRUCTION LABELS ON THE MACHINE



This product is made in compliance with approved standards.



This product keeps safety certificate.



Before use of the machine please read carefully the operating instructions.



Do not vacuum-clean hot embers, burning items and the items with temperature exceeding 40 °C (104 °F).



## 3. MACHINE DESCRIPTION AND SCOPE OF DELIVERY

### **Machine Description** (see Fig. 1)

- 1 – Switch
- 2 – Handle
- 3 – Motor Top Cover
- 4 – Motor Body Cover
- 5 – Power Cord
- 6 – Collecting Container
- 7 – Clamps
- 8 – Protective Guard
- 9 – Castors
- 10 – Filter
- 11 – Plastic Tube
- 12 – Plastic Hose
- 13 – Hose Connector
- 14 – Brush Nozzle
- 15 – Floor Nozzle
- 16 – Slot Nozzle

### **Scope of delivery**

Remove the machine carefully from the packaging and check whether the following parts are complete:

- ✿ Vacuum Cleaner
- ✿ 4x Castors
- ✿ Cotton Filter
- ✿ Plastic Hose
- ✿ 2x plastic tubes
- ✿ Brush Nozzle
- ✿ Floor Nozzle
- ✿ Slot Nozzle
- ✿ Warranty Certificate
- ✿ User Manual

If any parts are missing or damaged, please contact the dealer from whom you purchased the machine.

## 4. IMPORTANT SAFETY INSTRUCTIONS

**⚠ WARNING!** In order to prevent the risk of fire, electric shock and injury please adhere to the following instructions:

**⚠ ATTENTION! WARNING**

Inappropriate extension cables can be dangerous. Should an extension cable be used, both the socket and the plug shall be of a waterproof design and the coupled parts shall be kept dry and with no connection with earth. We recommend using of an extension cable drum keeping the socket 60 mm above the ground as minimum.

**⚠ ATTENTION! WARNING**

When leaving the device unattended, always turn the power off.

- ✿ Never vacuum-clean burning or fuming items such as embers, cigarette butts or matches.
- ✿ Do not use vacuum-cleaner without installed filter.
- ✿ Never leave the appliance without surveillance when energized. Pull out the plug from mains socket when not using the appliance for longer period as well as before each activity related to its maintenance.
- ✿ Never use the appliance outdoors and on wet surface due to the risk of electric shock. This appliance is not a toy for kids. When the appliance is operated by a kid or is used near children, close supervision over the children must be secured.
- ✿ Do use the appliance exactly in line with the instructions that are contained in this instruction manual and use just the accessories recommended by the manufacturer.
- ✿ No not use the appliance when its power cord or socket shows any signs of damage. Contact our customer service when you detect a function failure of your appliance after the appliance fell to the ground, got damaged, was left outdoors or got in touch with water.
- ✿ Do not pull the power cord nor use the cord as a strap when carrying the appliance. Make sure the door is not closed on the cord or the cord is not drawn over sharp edges and corners. Make also sure that the wheels do not pass at work over the appliance cord. Protect the cord against the contact with hot surfaces.
- ✿ When disconnecting the appliance from electric power supply do not pull out the plug from the socket by holding the cord, always hold the plug instead.
- ✿ When handling the appliance always keep your hands dry.
- ✿ Do not insert any foreign items into appliance holes and when the holes are clogged, do not switch the appliance on. Keep the holes dry and remove any dust, deposited remains, hairs and all other impurities that would have an adverse impact on air flow.
- ✿ Keep your hair, loose clothing, fingers and all other body parts out of reach of appliance moving elements.
- ✿ Switch off all appliance controls first and only then disconnect the plug from mains socket.
- ✿ Pay special attention to the vacuum-cleaning of stairs.

- ✿ Never vacuum-clean liquids, flammable or explosive substances such as gasoline, and do not use the vacuum cleaner near such substances.
- ✿ When you need to reel the cord, hold its plug firmly in your hand. During cord reeling do not leave its plug to flutter freely in the air.
- ✿ Before you put on the vacuum-clean hose, first pull out the plug from the mains socket.
- ✿ Never use the vacuum-cleaner without the installed dust bag and/or filter.
- ✿ A damaged supply cord of this appliance must be, for safety reasons, replaced by the service department of the manufacturer.
- ✿ This appliance is not designed for being operated by persons (including children up to 8 years of age) with limited physical, sensory and mental abilities or by persons with insufficient experience and/or knowledge. The operation of this appliance by those persons is only possible assuming their safety is overseen by a competent person or this person instructs them how to operate this appliance. Children must be under supervision to make sure they do not play with the appliance.
- ✿ Carefully remove the tool and any accessories from the box. Do not discard any of the packing materials until all parts are accounted for.
- ✿ This appliance is not intended for use by persons (including children) with reduced physical, sensory or mental capabilities, or lack of experience and knowledge, unless they have been given supervision or instruction concerning use of the appliance by a person responsible for their safety.
- ✿ Never use any accessories unless delivered together with the product or intended particularly for the appliance.
- ✿ Never repair the appliance yourself; do not modify the appliance - a risk of electrocution is imminent! All repairs and adjustments of the appliance shall be done by the professional company/service. Tampering with the product during the warranty period may void the warranty.
- ✿ Never use the product with wet hands or feet.
- ✿ Operate and keep the product away from flammable and volatile substances.
- ✿ Operate and keep the product away from extreme temperatures, direct sunlight, excessive moisture and do not place it in the excessive dusty environment.
- ✿ Do not place the product in close vicinity of heaters, naked flames and other appliances or equipment generating heat.
- ✿ Never use the product for other than intended purposes.
- ✿ Before inserting the power cord into the socket, check whether the voltage you intend to use complies with that of the machine.
- ✿ Never lay the power cord in the vicinity of hot surfaces or over sharp objects. Do not place heavy objects on the power cord. Position the cord so that it will not be stepped on or tripped over. Make sure the power cord is not in contact with a hot surface.
- ✿ Should the power cord of the product be damaged, have it repaired by an authorized service technician to prevent causing a dangerous situation. It is forbidden to use a product with a damaged power cord or plug.

- ✿ Do not disconnect the power cord from the wall socket by pulling the cord.
- ✿ Do not spray the product with water or any other liquid.
  - Do not submerge the product in water or any other liquid.
- ✿ Never use the product near a bathtub, wash basin or any other container filled with water.
- ✿ If you are not using the product or if you know that you will not be using it soon, turn it off and disconnect the power cord from the wall socket. Proceed in the same way prior to cleaning.
- ✿ Never leave the running product unattended.
- ✿ Allow the product to cool down properly before storing.
- ✿ Pay special attention if the product is used near children. Always keep the product away from children. Supervise the children to be sure they will not use the product as a toy.
- ✿ To increase safety, the electrical installations shall be connected by a qualified electrical engineer. We recommend installing a residual current circuit-breaker (RCCB) with a response time of 30mA/30 ms or a device monitoring the earth circuit (talk to your electrical engineer about the options).
- ✿ Pulling the power cord from the wall socket by force may cause damage.
- ✿ To avoid damage of the hose, do not step on it or bend it by force. Do not use the product with a bent or damaged hose.
- ✿ Do not run over the power cord with the product.
- ✿ The product is equipped with a thermal fuse - if the motor or the pump get overheated, the thermal fuse will turn the appliance off. As soon as the motor or pump cool down, they can be turned on again. Warning!!! To avoid a risk of a sudden recovery of the thermal fuse, the appliance shall not be powered via an external device such as a timer or shall not be connected to a circuit which is periodically turned on and off.
- ✿ High-pressure jet can be dangerous if handled inappropriately. It is forbidden to direct the jet at other people, oneself, pets, electrical appliances or the high-pressure washer itself.
- ✿ Never place the pistol or extension to your ears or eyes.
- ✿ Should you use an extension cable to the power supply network, it shall be of the waterproof design.
- ✿ The manufacturer shall not be liable for damages caused by inappropriate use of the appliance and accessories (injuries, burns, scalding, fire, food spoilage, etc.).

## 5. SAFETY MEASURES

### Vacuuming water

- ✿ When vacuuming water attach the special floor nozzle with rubber squeegees (see pic. 3) and take the dust bag out of the container. Under no circumstances should you use a carpet nozzle with a metal underside for wet vacuuming - risk of corrosion!
- ✿ If while vacuuming water, the container becomes fully filled, a safety float will stop the suction and the noise level of the motor will increase dramatically. Further vacuuming is only possible after the container has been emptied.

**⚠ CAUTION:** If while vacuuming water the vacuum cleaner tips over, it is necessary to have the vacuum cleaner motor inspected by a service before further use.

**⚠ CAUTION:** Never use this vacuum cleaner as a full substitution for a pump, i.e. pumping water from tanks, baths, aquariums, etc. The seal on the hose could be damaged by the high pressure.

**⚠ CAUTION:** After finishing vacuuming of water it is necessary to allow the vacuum cleaner to run for another 30 seconds, so that the remaining water is sucked out of the hose and tube.

### Turning your vacuum cleaner on and off

- ✿ To switch your machine on or off, press the I/O button on the vacuum cleaner body.

### Adjusting the suction strength

- ✿ The suction strength may be adjusted by turning the dial on the product's body (small range) or by the moveable flap on the hose handle.



## 6. VACUUM CLEANER ASSEMBLY (see pic. 2)

Before assembly or disassembly of accessories individual parts always first disconnect the plug from mains socket.

- ✿ Prepare all accessory parts.
- ✿ Put the tube on the hose handle.
- ✿ Assemble the flexible hose according to the figure and insert its ending with a connector into the suction hole on vacuum cleaner upper side. Push inwards and a click is heard at the right position.
- ✿ Install filter.
- ✿ Connect wheels.

## 7. OPERATING INSTRUCTIONS

### Turning on/off

- ✿ The vacuum cleaner is turned on by the switch I / 0 on the body of the vacuum cleaner - position I.

### After turning the vacuum cleaner off

- ✿ After vacuum cleaning is finished, turn off the appliance using the switch and pull the plug from mains socket. Remove the hose from the sucking hole; hose removal requires applying small force. Finally remove accumulated dust from the collecting container.
- ✿ Clean or replace the filter.

## 8. FILTER CLEANING

- ✿ We recommend to clean filter at least once a month or when it is visibly fouled or vacuum cleaning force is reduced and motor noise is higher than usual.
- ✿ Never use vacuum cleaner without installed filter. Operating vacuum cleaner without installed filter leads to motor damage.
- ✿ Before filter cleaning always disconnect the vacuum cleaner from power supply.
- ✿ Filter cannot be cleaned in a dish washer.
- ✿ Do not use a hairdryer for filter drying.
- ✿ The best cleaning method is to shake out the filter.

## 9. TECHNICAL SPECIFICATIONS

<b>WET&amp;DRY VACUUM CLEANER:</b>	
Voltage / Frequency	230V/50Hz
Input Power	1 400W
Ash Vacuum-Cleaning	up to 40°C
Filter	Cotton filter
Metal Container	30L
Hose	1.5m
Castors	4pcs
Weight	4kg
Power Supply Cord	4.3m
Noise Level	80dB(A)

User Manual – Language version only.

# 10. DISPOSAL

## **INSTRUCTIONS AND INFORMATION ON DISPOSAL OF USED PACKAGING.**

Put any used package material to the place determined by the municipality for waste disposal.

## **DISPOSAL OF USED ELECTRIC AND ELECTRONIC EQUIPMENT**



This symbol on products or accompanying documents means that used electric or electronic products must not be put to ordinary municipal waste. Hand over such products to determined collection points for proper disposal, restoration and recycling. Alternatively, in some countries of the European Union or other European countries you can return your products to your local dealer when you buy an equivalent new product. By dutiful disposal of this product you can preserve precious natural resources and you help prevent any potential adverse effects on the environment and human health which could be the results of wrong waste disposal. Ask your local authority or the nearest collection point for additional details. In case of improper disposal of this waste kind penalties can be imposed in accordance with national regulations.

### **For companies in the European Union countries**

Should you want to dispose of electric and electronic devices, ask your dealer or vendor for necessary information.

### **Disposal in other countries outside the European Union**

Should you want to dispose of this product, ask your local authorities or your dealer for necessary information about disposal method.



This product fulfils all basic requirements of the EU directives that apply to it.

Text, design and technical specifications can change without prior notice and we reserve the right for their change.



**FIELDMANN**<sup>®</sup>  
Home & Garden Performance

**Model /Modell /Modelis:** .....

**Záruční list / Záručný list /  
Warranty Certificate / Jótállási jegy /  
Garantijos taisyklės / Karta Gwarancyjna**

Výrobní číslo  
Výrobné číslo  
Serial No.  
Szériaszám  
Serijos Nr.  
Numer seryjny

Razítka a podpis prodejce  
Pečiatka a podpis predajcu  
Dealer's stamp  
A kereskedő bélyegzője  
Pardavėjo antspaudas  
Pieczęćka i podpis sklepu

Datum prodeje  
Dátum predaja  
Date of purchase  
A vásárlás dátuma  
Pardavimo data  
Data zakupu

## Záruční podmínky

Prodávající poskytuje kupujícímu na výrobek záruku v trvání 24 měsíců od převzetí výrobku kupujícím. Záruka se poskytuje za dále uvedených podmínek. Záruka se vztahuje pouze na nové spotřební zboží prodané spotřebiteli pro běžné domácí použití. Práva z odpovědnosti za vady (reklamací) může kupující uplatnit buď u prodávajícího, u kterého byl výrobek zakoupen nebo v níže uvedeném autorizovaném servisu. Kupující je povinen reklamaci uplatnit bez zbytečného odkladu, aby nedocházelo ke zhoršení vady, nejpozději však do konce záruční doby. Kupující je povinen poskytnout při reklamaci součinnost nutnou pro ověření existence reklamované vady. Do reklamačního řízení se přijímá pouze kompletní a z důvodů dodržení hygienických předpisů neznehodnocený výrobek. V případě oprávněné reklamacie se záruční doba prodlužuje o dobu od okamžiku uplatnění reklamacie do okamžiku převzetí opraveného výrobku kupujícím nebo okamžiku, kdy je kupující po skončení opravy povinen výrobek převzít. Kupující je povinen prokázat svá práva reklamováním (doklad o zakoupení výrobku, záruční list, doklad o uvedení výrobku do provozu. . .).

### Záruka se nevztahuje zejména na:

- vady, na které byla poskytnuta sleva
- opotřebení a poškození vzniklé běžným užíváním výrobku
- poškození výrobku v důsledku neodborně či nesprávné instalace, použití výrobku v rozporu s návodem k použití, platnými právními předpisy a obecně známými a obvyklými způsoby používání, v důsledku použití výrobku k jinému účelu, než ke kterému je určen
- poškození výrobku v důsledku zanedbané nebo nesprávné údržby
- poškození výrobku způsobené jeho znečištěním, nehodou a zásahem vyšší moci (živelná událost, požár, vniknutí vody. . .)
- vady funkčnosti výrobku způsobené nevhodnou kvalitou signálu, rušivým elektromagnetickým polem apod.
- mechanické poškození výrobku (např. ulomení knoflíku, pád. . .)
- poškození způsobené použitím nevhodných médií, náplní, spotřebního materiálu (baterie) nebo nevhodnými provozními podmínkami (např. vysoké okolní teploty, vysoká vlhkost prostředí, otřesy. . .)
- poškození, úpravu nebo jiný zásah do výrobku provedený neoprávněnou nebo neautorizovanou osobou (servisem)
- případy, kdy kupující při reklamaci neprokáže oprávněnost svých práv (kdy a kde reklamovaný výrobek zakoupil)
- případy, kdy se údaje v předložených dokladech liší od údajů uvedených na výrobku
- případy, kdy reklamovaný výrobek nelze ztotožnit s výrobkem uvedeným v dokladech, kterými kupující prokazuje svá práva reklamovat (např. poškození výrobního čísla nebo záruční plomby přístroje, prepisované údaje v dokladech. . .)

## Záručné podmienky

Predávajúci poskytuje kupujúcemu na výrobok 24 mesiacov záruku od jeho prevzatia kupujúcim. Záruka sa poskytuje ďalej za nižšie uvedených podmienok. Záruka sa vzťahuje iba na spotrebný tovar predaný spotrebiteľovi na bežné domáce použitie. Práva zo zodpovednosti za chyby (reklamácie) môže kupujúci uplatniť buď u predávajúceho, u ktorého bol výrobok zakúpený alebo v nižšie uvedenom autorizovanom servise. Kupujúci je povinný reklamáciu uplatniť bez zbytočného odkladu, aby nedochádzalo ku zhoršeniu chyby, najneskôr však do konca záručnej doby. Kupujúci je povinný pri reklamacii spolupracovať pri overení existencie reklamovanej chyby. Do reklamačného procesu sa prijíma iba kompletný a z dôvodu dodržania hygienických predpisov neznehodnotený výrobok. V prípade oprávnenej reklamacie sa záručná doba predlžuje o dobu od okamžiku uplatnenia reklamácie do okamžiku prevzatia opraveného výrobku kupujúcim, kedy je kupujúci po skončení opravy povinný výrobok prevziať. Kupujúci je povinný preukázať svoje práva reklamovať (doklad o zakúpení výrobku, záručný list, doklad o uvedení výrobku do prevádzky. . .).

### Záruka sa nevzťahuje na:

- chyby, na ktoré boli poskytnuté zľavy
- opotrebenia a poškodenia vzniknuté bežným užívaním výrobku
- poškodenie výrobku v dôsledku neodborně či nesprávně instalácie, použitie výrobku v rozpore s návodem na použitie s platnými právními předpisy a všeobecně známými a obvyklými způsoby používání, v důsledku použití výrobku za jiným účelom, než na ktorý je určený
- poškození výrobku v důsledku zanedbané nebo nesprávné údržby
- poškození výrobku způsobené jeho znečištěním, nehodou a zásahem vyšší moci (živelná událost, požár, vniknutí vody. . .)
- chyby funkčnosti výrobku způsobené nevhodnou kvalitou signálu, rušivým elektromagnetickým polem a pod.
- mechanické poškození výrobku (např. zlomenie gombíka, pád. . .)
- poškození spôsobené použitím nevhodných médií, náplní, spotrebného materiálu (batérie) alebo nevhodnými prevádzkovými podmienkami (např. vysoké teploty v okolí, vysoká vlhkosť prostredia, otrasy. . .)
- poškození, úpravu alebo iný zásah do výrobku spôsobený neoprávnenou alebo neautorizovanou osobou (servisom)
- prípady, keď kupujúci pri reklamacii nepreukáže oprávněnost svojich práv (kedy a kde reklamovaný výrobok zakúpil)
- prípady, keď sa údaje v predložených dokladech líšia od údajov uvedených na výrobku
- prípady, keď reklamovaný výrobok sa neshoduje s výrobkom uvedeným v dokladech, ktorými kupujúci preukazuje svoje práva reklamovať (např. poškození výrobního čísla alebo záruční plomby přístroje, prepisované údaje v dokladech. . .)

## Conditions of guarantee

This product is warranted for the period of 24 months from the date of purchase to the end-user. Warranty is limited to the following conditions. Warranty is referred only to the customer goods using for common domestic use. The claim for service can be applied either at dealer's shop where the product was bought, or at below mentioned authorized service shops. The end-user is obligated to set up a claim immediately when the defects appeared but only till the end of warranty period. The end-user is obligated to cooperate to certify the claiming defects. Only completed and clean (according to hygienic standards) product will be accepted. In case of eligible warranty claim the warranty period will be prolonged by the period from the date of claim application till the date of taking over the product by end-user, or the date the end-user is obligated to take it over. To obtain the service under this warranty, end-user is obligated to certify his claim with duly completed following documents: receipt, certificate of warranty, certificate of installation. . .

### This warranty is void especially if apply as follows:

- Defects which were put on sale.
- Wear-out or damage caused by common use.
- The product was damaged by unprofessional or wrong installation, used in contrary to the applicable instruction manual, used in contrary to legal enactment and common process of use or used for another purpose which has been designed for.
- The product was damaged by uncareful or insufficient maintenance.
- The product was damaged by dirt, accident of force majeure (natural disaster, fire, flood, . . .)
- Defects on functionality caused by low quality of signal, electromagnetic field interference etc.
- The product was mechanically damaged (e.g. broken button, fall. . .)
- Damage caused by use of unsuitable media, fillings, expendable supplies (batteries) or by unsuitable working conditions (e.g. high temperatures, high humidity, quakes, . . .)
- Repair, modification or other failure action to the product by unauthorized person.
- End-user did not prove enough his right to claim (time and place of purchase).
- Data on presented documents differs from data on products.
- Cases when the claiming product can not be identified according to the presented documents (e.g. the serial number or the warranty seal has been damaged).

## Autorizovaná servisní střediska / Autorizované servisné strediská / Authorized service centres

FASTČR, a. s.  
U Sanitasu 1621 CZ  
251 01 Říčany  
Česká republika  
Tel.: +420/ 323 204 120  
Fax: +420/ 323 204 121  
servis.praha@fastcr.cz  
www.fastcr.cz

FAST ČR, a. s.  
Cejl 31  
CZ 602 00 Brno  
Česká republika  
Tel.: +420/ 531 010 295  
Fax: +420/ 531 010 296  
servis.brno@fastcr.cz  
www.fastcr.cz

Fast Plus, a. s.  
Na Pántoch 18  
SK 831 06 Bratislava  
Slovenská republika  
Tel.: +421/ 249 105 811  
Fax: +421/ 249 105 810  
fastplus@fastplus.sk  
www.fastplus.sk

## Jótállási jegy

■ A termék gyártója: FAST ČR, a.s. (U Sanitasa 1621, Říčany u Prahy 251 01, Csehország)

■ A FAST Hungary Kft. (2310 Szigetszentmiklós, Kántor út 10.) mint a termék magyarországi importőre a jótállási jegyen feltüntetett típusú és gyártási számú készülékre jótállást biztosít a fogyasztók számára az alábbi feltételek szerint:

■ A FAST Hungary Kft. a termékre a fogyasztó részére történő átadástól (vásárlástól), illetve ha az üzembe helyezését a termék értékesítő vállalkozás vagy annak megbízottja végzi, az üzembe helyezéstől számított 24 hónapig, míg 250.000,- Ft eladási ár felett 36 hónapig tartó időtartamra vállal jótállást. Ha a terméket a fogyasztó az átadástól számított fél éven belül helyzeti hibára, akkor a jótállási jegy a termék átadásától kezdődik. A termék alkotórészeire és tartozékaira (pl. akkumulátor) a jótállási idő a termék átadásától számított 12 hónap.

■ A jótállási igény a jótállási jeggyel, az átadástól (ha releváns az üzembe helyezéstől) számított (i) 1 évig - 100.000,- Ft eladási ár meg nem haladó termék esetén; (ii) 2 évig - 250.000,- Ft eladási ár meg nem haladó termék esetén; (iii) 3 évig - 250.000,- Ft eladási árát meghaladó termék esetén a terméket értékesítő vállalkozásnál, annak székhelyén, vagy bármely telephelyén, fióktelepén, illetve mindhárom esetben a jótállási jegyen feltüntetett hivatalos szerviznél közvetlenül is, míg az előző (i) pont szerinti esetben, azaz 100.000,- Ft eladási árát meg nem haladó termék esetén a 13. hónaptól a 24. hónapig kizárólag a hivatalos szerviznél érvényesíthető.

■ Jótállási jegy hiányában a fogyasztói szerződés megkötését bizonyítottnak kell tekinteni, ha a fogyasztó bemutatja a termék ellenértékének megfizetését hitelt érdemlően igazoló bizonylatot. Mindezek érdekében kérjük tisztelt Vásárlóinkat, hogy őrizzék meg a fizetési bizonylatot is. A jótállási időn belüli meghibásodás esetén a fogyasztó - választása szerint - (i) a hibás termék díjmentes kijavítását vagy kicserélését követelheti, kivéve, ha a választott igény teljesítése lehetetlen, vagy ha az a jótállásra kötelezettnek a fogyasztó által érvényesíteni kívánt másik igény teljesítésével összehasonlítva aránytalan többletköltséget eredményezne, vagy (ii) ha a kötelezett a kijavítást, illetve kicserélést nem vállalata, vagy e kötelezettségének megfelelő határidőn belül, a fogyasztó érdekeit kímélve nem tud eleget tenni, vagy ha a fogyasztónak a kijavításhoz vagy kicseréléshez fűződő érdeke megszűnt, akkor a fogyasztó megfelelő árleszállítást igényelhet, vagy a hibát a kötelezett költségére maga kijavíthatja vagy mással kijavíttathatja vagy elállhat a szerződéstől. Jelentéketlen hiba miatt

elállásnak nincs helye. A fogyasztó a választott jogáról másira kérhet át. Az áttéréssel okozott költséget köteles a jótállásra kötelezettnek megfizetni, kivéve, ha az áttérésre a jótállásra kötelezett adott okot, vagy az áttérés egyébként indokolt volt.

■ Ha a jótállási időtartam alatt a termék első alkalommal történő javítása során megállapított nyer, hogy a termék nem javítható, a fogyasztó eltérő rendelkezése hiányában a termék a megállapítást követő 8 napon belül kicserélésre kerül. Ha a termék cseréjére nincs lehetőség, a fogyasztó által bemutatott, a termék ellenértékének megfizetését igazoló bizonylaton feltüntetett vételárat nyolc napon belül kell a fogyasztó részére visszatéríteni.

■ Ha a jótállási időtartam alatt a termék három alkalommal történő kijavítást követően ismét meghibásodik, a fogyasztó eltérő rendelkezése hiányában, valamint ha a fogyasztó nem igényli a vételár arányos leszállítását, és nem kívánja a terméket a jótállásra kötelezett költségére kijavítani vagy mással kijavíttatni, a termék 8 napon belül kicserélésre kerül. Ha a termék kicserélésére nincs lehetőség, a fogyasztó által bemutatott, a termék ellenértékének megfizetését igazoló bizonylaton feltüntetett vételárat nyolc napon belül kell a fogyasztó részére visszatéríteni.

■ Ha a termék kijavítására a Kijavítási igény közlésétől számított 30. napig nem kerül sor, a fogyasztó eltérő rendelkezése hiányában a termék a 30 napos határidő eredménytelen eltelteét követő nyolc napon belül cserélni kell. Ha a termék cseréjére nincs lehetőség, a fogyasztó által bemutatott, a termék ellenértékének megfizetését igazoló bizonylaton feltüntetett vételárat a 30 napos kijavítási határidő eredménytelen eltelteét követő nyolc napon belül kell a fogyasztó részére visszatéríteni.

■ A fogyasztó a hiba felfedezését követően késedelem nélkül, legkésőbb a felfedezéstől számított 2 hónapon belül köteles a hibát közölni. A bejelentés kapcsán kérjük vegye figyelembe, hogy a **jótállási igény kizárólag a jótállási határidőben érvényesíthető! Mindazonáltal a jótállási határidő meghosszabbodik a javításra átadás napjától kezdve azzal az idővel, amely alatt a fogyasztó a terméket a hiba miatt rendeltetészerűen nem használhatta.** Ha a jótállásra kötelezett jótállási kötelezettségének megfelelő határidőben nem tesz eleget, a jótállási igény a fogyasztó erre irányuló felhívásában tűzött megfelelő határidő elteltétől számított 3 hónapon belül akkor is érvényesíthető bíróság előtt, ha a jótállási idő már eltelt. E határidő elmulasztása jogvesztéssel jár. A jótállási kötelezettség teljesítésével kapcsolatban felmerülő költségek a jótállás kötelezettjét terhelik.

■ A 151/2003. (IX.22.) Korm.rendeletben meghatározott tartós fogyasztási cikk meghibásodása miatt a vásárlástól (üzembe helyezésétől) számított három munkanapon belül érvényesített csereigény esetén a terméket értékesítő vállalkozás nem hivatkozhat aránytalan többletköltségre, hanem köteles a tartós fogyasztási cikket kicserélni, feltéve, hogy a meghibásodás a rendeltetészerű használatot akadályozza (és a csere nem lehetetlen). ■ Kijavítás esetén a fogyasztási cikkbe csak új alkatrészt kerülhet beépítésre. Javítási- vagy csereigény esetén törekedni kell arra, hogy a kijavítás vagy kicserélés 15 napon belül megtörténjen. Ha a javítás vagy a csere időtartama a 15 napot meghaladja, akkor az időtartamtól a fogyasztó a javítás vagy a csere várható időtartamáról. A tájékoztatás a fogyasztó előzetes hozzájárulása esetén elektronikus úton, vagy a fogyasztó általi átvétel igazolására alkalmas más módon történik. A rögzített bekötésű, illetve a 10kg-nál súlyosabb, vagy tömegközlekedési eszközön kézi csomagként nem szállítható fogyasztási cikket – járművek kivételével – az üzemetelés helyén kell megjavítani. Ha a javítás az üzemetelés helyén nem végezhető el, a le- és felszerelésről, valamint az el- és visszaszállításról a jótállás kötelezettje, vagy – a javításpolitikánál közvetlenül érvényesített kijavítási igény esetén – a javítószolgálat gondoskodik.

■ Nem tartozik jótállás alá a hiba és a jótállásra kötelezett mentesül a jótállási kötelezettség alól, ha bizonyítja, hogy a hiba oka a termék fogyasztó részére való átadását követően keletkezett, így például ha a hibát ■ nem rendeltetészerű használat, használati útmutató figyelmen kívül hagyása, helytelen szállítás vagy tárolás, leejtés, rongálás, elemi kár, készüléken kívüli ok (pl. házilag történő feszültség megengedettnél nagyobb ingadozása) ■ illetéktelen átalakítás, beavatkozás, nem hivatalos szerviz által végzett szakszerűtlen javítás ■ fogyasztó feladatát képező karbantartási munkák elmulasztása ■ normál, természetes elhasználódásra visszavezethető (pl. elem lemerülése) vagy üzemszerű kopásnak tulajdonítható meghibásodás okozta. A jótállás a fogyasztó jogszabályból eredő jogait, így különösen a Polgári Törvénykönyv szerinti kellékszavatossági illetve termékszavatossági jogait nem érinti. ■ Tájékoztatjuk, hogy a fogyasztóvédelmi törvényben meghatározott fogyasztói jogvita bíróságon kívüli rendezése érdekében Ön a megyei (fővárosi) kereskedelmi és iparkamarák által működtetett békéltető testület eljárását is kezdeményezheti (a békéltető testületek elérhetősége: <https://bekeltetes.hu/index.php?id=testuletek>).

Hivatalos szervíz / Autoryzowana sieć serwisowa

revision 01/2021

Fast Hungary Kft.  
2310, Szigetszentmiklós  
Kántor u. 10  
Hungary  
Tel.: + 36/ 23 330 830  
Fax: + 36/ 23 330 8274  
fasthungary@fasthungary.hu  
www.fasthungary.hu

## A kereskedő tölti ki

Megnevezés:.....

Típus:..... Gyártási szám: .....

A termék azonosításra alkalmas részeinek meghatározása (ha alkalmazható):.....

Vásárlást igazoló bizonylat száma:.....

A vásárlás (üzembe helyezés) időpontja: 20..... hó.....nap.

Kereskedő bélyegzője:

Kereskedő aláírása: .....

Kereskedő címe: .....

## Javítás esetén alkalmazandó

### A kereskedő vagy szerviznél történő közvetlen bejelentés esetén a szerviz tölti ki

A jótállási igény bejelentésének időpontja: .....

Javításra átvétel időpontja:.....

Hiba oka:.....

Javítás módja:.....

A termék fogyasztó részére való visszaadásának időpontja:.....

A jótállás – kijavítás időtartamával meghosszabbított – új határideje:.....

Szerviz pecsétje:

Kereskedő pecsétje:.....

## Kicserélés esetén alkalmazandó

A jótállási igény kicseréléssel került rendezésre.

A csere időpontja: .....

Kereskedő bélyegzője:

Tisztelt Fogyasztó!

Köszönjük, hogy termékünket választotta. Cégünk és szervizünk elérhetősége:

**FAST Hungary Kft.** H-2310 Szigetszentmiklós, Kántor út 10. Tel.: 06-23-330-905; 06-23-330-830;

Fax: 06-23-330-827, E-mail: [szerviz@fasthungary.hu](mailto:szerviz@fasthungary.hu)



**FIELDMANN®**  
Home & Garden Performance

## Garantijos taisyklės

Šiam gaminii suteikiama 24 mėnesių nuo įsigijimo datos garantija. Garantija apsiriboja žemiau pateikiamomis sąlygomis. Garantija skirta tik gaminiams, skirtiems buitiniam naudojimui. Dėl garantinio remonto perkėjas gali kreiptis į pardavėjo parduotuvę, kurioje gaminį pirkė, arba į nurodytus įgaliotus techninės priežiūros centrus. Galutinis naudotojas įsipareigoja pateikti pretenziją nedelsiant po defekto atsiradimo, tačiau tik iki garantijos galiojimo periodo pabaigos. Galutinis naudotojas įsipareigoja bendradarbiauti patvirtinant gaminio defektus, dėl kurių pateikia pretenziją. Priimtas bus tik pilnai sukomplektuotas ir švarus (pagal higienos standartus) gaminys. Jei pretenzija dėl garantinio remonto bus pagrįsta, gaminio garantijos galiojimo periodas bus pratęjamas atitinkamai periodu nuo pretenzijos pateikimo datos iki galutinio naudotojas pasilims sutaisytą gaminį arba iki datos, kada galutinis naudotojas turėtų pasiimti sutaisytą gaminį. Norėdamas gauti garantinio remonto paslaugas, galutinis naudotojas turi patvirtinti pretenziją pilnai užpildytais sekančiais dokumentais: pirkimo kvitu, garantiniu talonu, instaliavimo sertifikatu. . .

**Garantija netaikoma:** ■ Nukainotoms (brokuotoms) prekėms. ■ Įprastinais susidėvinčioms gaminio dalims ■ Gedimams, atsiradusiems neprofesionaliai ar neteisingai gaminį instaliavus, nesilaikant gaminio naudojimo instrukcijų, naudojant gaminį ne pagal įstatymų numatytus standartus ar įprastinius tokio tipo gaminii naudojimo procesus, naudojant gaminį kitai paskirčiai nei numatyta. ■ Gedimams, atsiradusiems dėl netinkamos ar nepakankamos gaminio priežiūros. ■ Gedimams, atsiradusiems dėl purvo, nenugalmis jėgos aplinkybių (stichinių nelaimių, gaisro, potvynio, . . .) ■ Gedimams, atsiradusiems dėl prastos kokybės signalo, elektromagnetinio lauko trikdžių ir kt. ■ Rodus mechaninių pažeidimų (pvz. sulaužyti mygtukai, kritimo požymiai. . .) ■ Gedimams, atsiradusiems naudojant gaminį su netinkamomis laikmenomis, jungiant prie netinkamų tinklų, dedant į gaminį netinkamus maitinimo šaltinius (baterijas) ar dėl bet kokių kitų netinkamų naudojimo sąlygų (pvz. aukštos temperatūros, didelės drėgmės, žemės drebėjimų. . .) ■ Nustačius, kad gaminys taisytas, modifikuotas ar ardytas neįgaliotų tai daryti asmenų. ■ Jei galutinis naudotojas neturi visų reikalingų dokumentų, įrodančių jo teisę į garantinį remontą (pvz. dokumentų, kur būtų nurodytas gaminio įsigijimo laikas ir vieta). ■ Jei data pateiktuose dokumentuose skiriasi nuo datos ant gaminio.

## Warunki gwarancji

Produkt objęty jest 24 – miesięczną gwarancją, począwszy od daty zakupu przez klienta. Gwarancja jest ograniczona tylko do przedstawionych dalej warunków. Gwarancja obejmuje tylko produkty zakupione w Polsce i jest ważna tylko na terytorium Rzeczpospolitej Polskiej. Gwarancja obejmuje tylko produkty funkcjonujące w warunkach gospodarstwa domowego (nie dotyczy produktów oznaczonych jako „Professional”). Zgłoszenia gwarancyjne można dokonać w autoryzowanej sieci serwisowej lub w sklepie, gdzie produkt został nabyty. Użytkownik jest zobowiązany zgłosić usterkę niezwłocznie po jej wykryciu, a najpóźniej w ostatnim dniu obowiązywania okresu gwarancyjnego. Użytkownik jest zobowiązany do przedstawienia i udokumentowania usterki. Tylko kompletne i czyste produkty (zgodnie ze standardami higienicznymi) będą przyjmowane do naprawy. Usterki będą usuwane przez autoryzowany punkt serwisowy w możliwie krótkim terminie, nieprzekraczającym 14 dni roboczych. Okres gwarancji przedłuża się o czas pobytu sprzętu w serwisie. Klient może ubiegać się o wymianę sprzętu na wolny od wad, jeżeli klient serwisowy stwierdzi na piśmie, że usunięcie wady jest niemożliwe. Aby produkt mógł być przyjęty przez serwis, użytkownik jest zobowiązany dostarczyć oryginalny dowód zakupu (paragon lub faktura), podbitej i wypełnionej karty gwarancyjnej, certyfikatu instalacji (niektóre produkty).

### Gwarancja zostaje unieważniona, jeśli:

■ usterka była widoczna w chwili zakupu, ■ usterka wynika ze zwykłego użytkowania i zużycia, ■ produkt został uszkodzony z powodu złej instalacji, niezastosowania się do instrukcji obsługi lub użytkownika niezgodnego z przeznaczeniem, ■ produkt został uszkodzony z powodu złej konserwacji lub jej braku, ■ produkt został uszkodzony z powodu zanieczyszczenia, wypadku lub okoliczności o charakterze sił wyższych (powódź, pożar, wojny, zamieszki itp.) ■ produkt wykazuje złe działanie z powodu słabego sygnału, zakłóceń elektromagnetycznych itp., ■ produkt został uszkodzony mechanicznie (np. wylamany przycisk, upadek, itp.), ■ produkt został uszkodzony z powodu użycia niewłaściwych materiałów eksploatacyjnych, nośników, akcesoriów, baterii, akumulatorów itp. lub z powodu użytkowania w złych warunkach (temperatura, wilgotność, wstrząsy itp.), ■ produkt był naprawiany lub modyfikowany przez nieautoryzowany personel, ■ użytkownik nie jest w stanie udowodnić zakupu (nieczytelny paragon lub faktura), ■ dane na przedstawionych dokumentach są inne niż na urzędzeniu, ■ produkt nie może być zidentyfikowany ze względu na uszkodzenie numeru seryjnego lub plomby gwarancyjnej.

Uab „Senukai Prekybos  
Centras“ Garantinis Servisas  
Jonavos G. 62, Lt-44192,  
Kaunas, Lithuania  
Tel.: +370 37 212 146  
Tex.: +370 37 212 165  
garrem@senukai.lt  
www.senukai.lt

Fast Poland, Sp. z o.o. Ul.  
Kwiatniowa 36  
05-090 Wypędy  
Poland  
Tel.: +48 697 690 228  
Mail: serwis@fastpoland.pl  
www.fastpoland.pl





Ovaj dokument je originalno proizveden i objavljen od strane proizvođača, brenda Fieldmann, i preuzet je sa njihove zvanične stranice. S obzirom na ovu činjenicu, Tehnoteka ističe da ne preuzima odgovornost za tačnost, celovitost ili pouzdanost informacija, podataka, mišljenja, saveta ili izjava sadržanih u ovom dokumentu.

Napominjemo da Tehnoteka nema ovlašćenje da izvrši bilo kakve izmene ili dopune na ovom dokumentu, stoga nismo odgovorni za eventualne greške, propuste ili netačnosti koje se mogu naći unutar njega. Tehnoteka ne odgovara za štetu nanесenu korisnicima pri upotrebi netačnih podataka. Ukoliko imate dodatna pitanja o proizvodu, ljubazno vas molimo da kontaktirate direktno proizvođača kako biste dobili sve detaljne informacije.

Za najnovije informacije o ceni, dostupnim akcijama i tehničkim karakteristikama proizvoda koji se pominje u ovom dokumentu, molimo posetite našu stranicu klikom na sledeći link:

<https://tehnoteka.rs/p/fieldmann-usionivac-za-suvo-i-mokro-usionivanje-fdu-2003-e-akcija-cena/>