

## Uputstvo za upotrebu (kratko)

JBL soundbar zvučnik BAR 5.1



by **HARMAN**



Tehnoteka je online destinacija za upoređivanje cena i karakteristika bele tehnike, potrošačke elektronike i IT uređaja kod trgovinskih lanaca i internet prodavnica u Srbiji. Naša stranica vam omogućava da istražite najnovije informacije, detaljne karakteristike i konkurentne cene proizvoda.

Posetite nas i uživajte u ekskluzivnom iskustvu pametne kupovine klikom na link:

<https://tehnoteka.rs/p/jbl-soundbar-zvucnik-bar-51-akcija-cena/>



HARMAN

# Bar 5.1

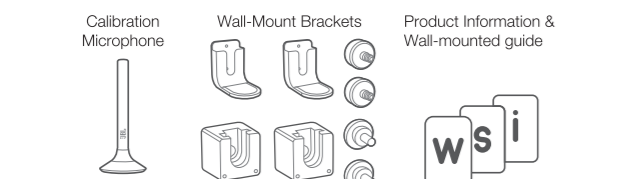
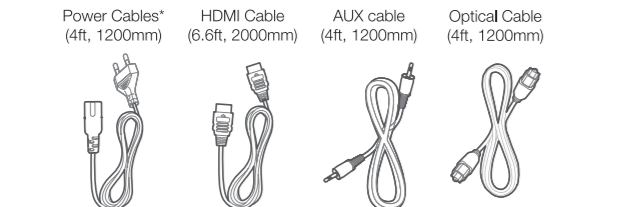
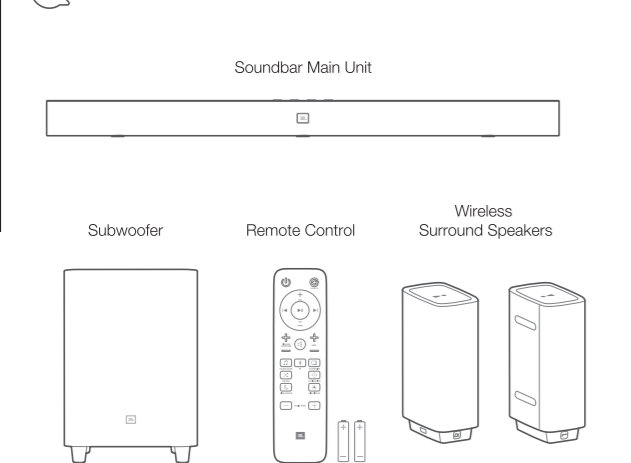
5.1-Channel 4K Ultra HD Soundbar with True Wireless Surround Speakers

## Quick Start Guide



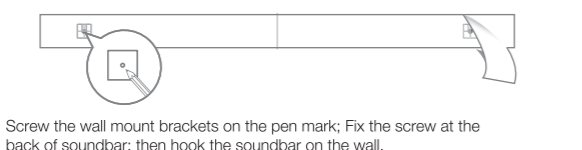
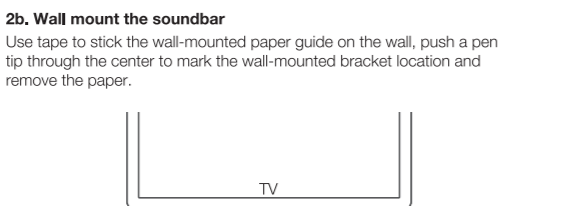
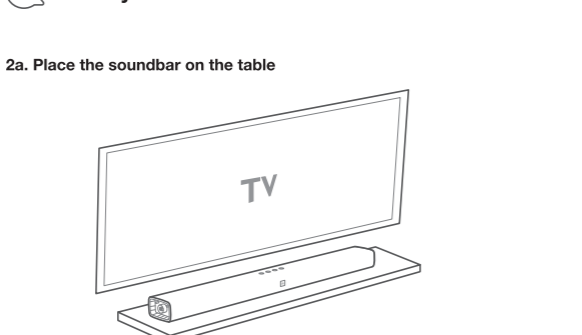
Note: For complete information about using all of your JBL Bar 5.1, download the full Owner's Manual from [www.jbl.com](http://www.jbl.com).

### 1 What's in the box



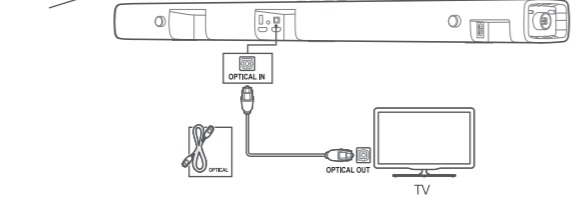
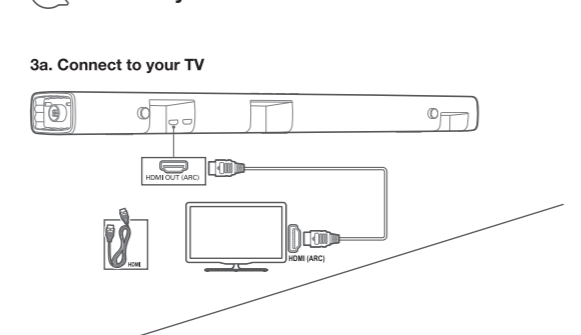
\* Power cable numbers varied by regions

### 2 Place your soundbar



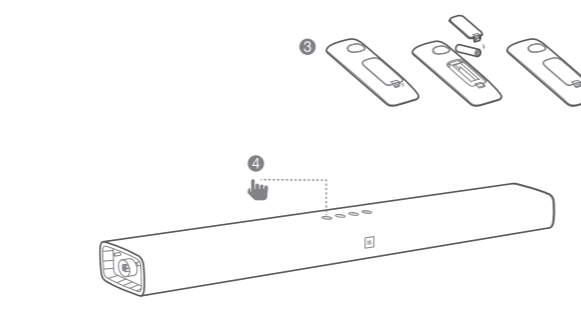
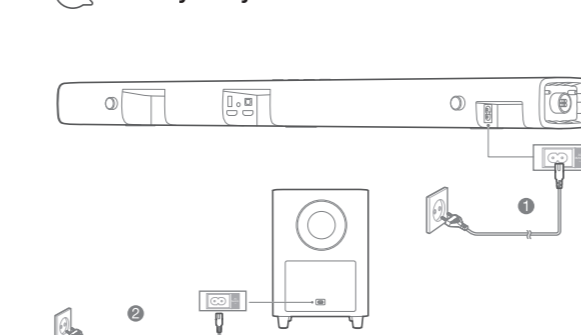
2c. Dock the wireless speakers  
Wireless speakers charge during soundbar standby mode.

### 3 Connect your soundbar



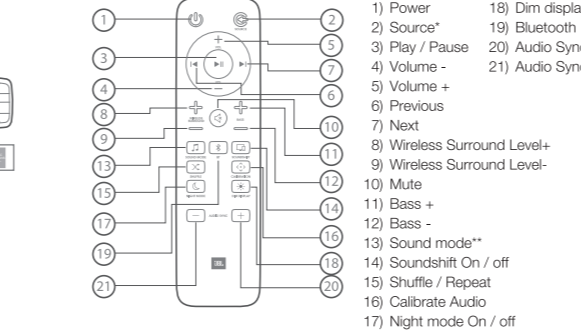
3b. Connect to other devices  
Reconnect to soundbar / Power Off  
Speaker charging

### 4 Power your system



5a. Top Panel  
Power Volume Down Volume Up Source

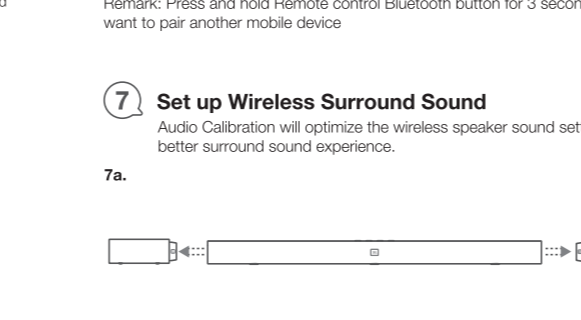
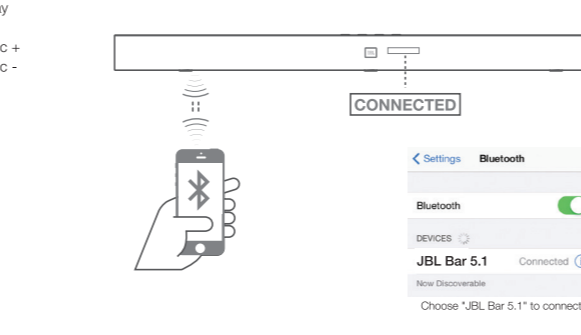
### 5b. Remote control



1) Power 18) Dim display  
2) Source\* 19) Bluetooth  
3) Play / Pause 20) Audio Sync +  
4) Volume - 21) Audio Sync -  
5) Volume +  
6) Previous  
7) Next  
8) Wireless Surround Level+  
9) Wireless Surround Level-  
10) Mute  
11) Bass +  
12) Bass -  
13) Sound mode\*\*  
14) Soundshift On / off  
15) Shuffle / Repeat  
16) Calibrate Audio  
17) Night mode On / off

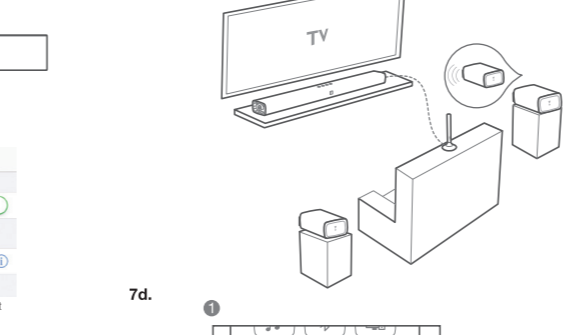
\*Switch between HDMI ARC/ HDMI 1/ HDMI 2/ HDMI 3/ Optical/ AUX/ Bluetooth/ USB  
\*\*Switch between Standard/ music/ movie/ voice/ sports sound mode or press and hold 5 seconds to reset default audio setting

### 6a. Press Remote Control Bluetooth button to enter Bluetooth source



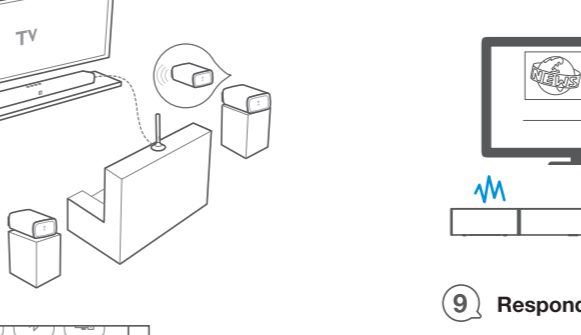
6a. Press Remote Control Bluetooth button to enter Bluetooth source  
6b. Remark: Press and hold Remote control Bluetooth button for 3 seconds if you want to pair another mobile device

### 7a. Set up Wireless Surround Sound



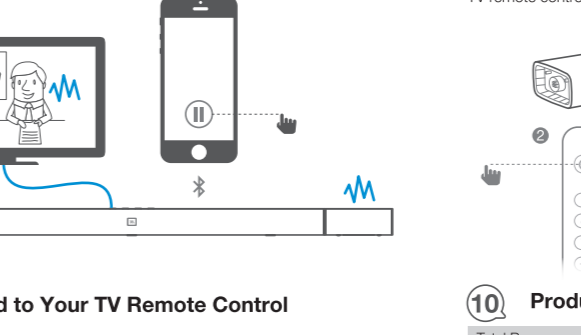
7a. Set up Wireless Surround Sound  
Audio Calibration will optimize the wireless speaker sound settings for a better surround sound experience.

### 7b. Control your soundbar



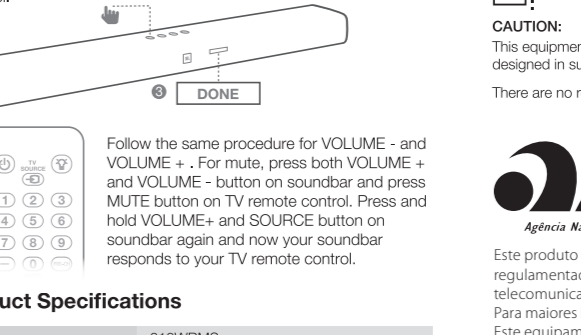
7b. While Soundshift is on, play and pause your music source to enjoy auto-switch between your mobile devices (A) and TV (B). When Soundshift is off, press the Bluetooth button on the Remote Control to listen to Bluetooth source.

### 8 JBL SoundShift®



8. Press Soundshift button to enable Soundshift feature.  
9a. For most Samsung, LG, Sony and Vizio TVs  
The soundbar responds to your TV remote control automatically. Press and hold soundbar remote control SHUFFLE button if you want to disable this function.

### 9 Respond to Your TV Remote Control

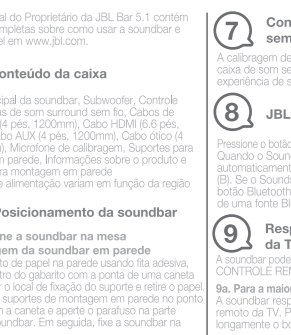


9. Respond to Your TV Remote Control  
Use your own TV remote control to control your soundbar.

### 10 Product Specifications

Total Power	218WRMS
Soundbar Power	43.8WRMS
Subwoofer Power	164WRMS
Surround Speaker Power	2 x 5.4WRMS
Surround Speaker Play Time	10 hours
Battery charge time	< 3 hours
Soundbar Transducer Size	6 x 2.25" racetrack drivers 3 x 1.25" tweeter
Subwoofer Transducer Size	10"
Max SPL	104dB
Frequency Response	35Hz to 20KHz
Operating Temperature	0°C - 45°C
Audio Inputs	1 Analog, 1 Optical, Bluetooth, USB
HDMI Video Inputs	3
HDMI Video Output (with Audio Return Channel)	1
HDMI HDCP Version	2.2
Bluetooth Version	4.2
Bluetooth Profile	A2DP V1.3/ AVRCP V1.6
Bluetooth Frequency Range	2402MHz-2480MHz
Bluetooth Max Transmitting power	9dBm (EIRP)
Bluetooth Transmitter modulation	GFSK, π/4 QPSK, 8DPSK
5.8G Wireless Frequency Range	5725MHz- 6875MHz
5.8G Max Transmitting power	9dBm (EIRP)
Soundbar Dimensions (W x H x D)	1148 x 58 x 93 (mm) \ 45" x 2.3" x 3.7"
Soundbar Weight	3.9kg \ 8,6 lbs
Subwoofer Dimensions (W x H x D)	440 x 305 x 305 (mm) \ 16" x 12" x 12"
Subwoofer Weight	13kg \ 28.7 lbs
Surround Speaker Dimensions (W x H x D)	165 x 59 x 93 (mm) \ 6.5" x 2.3" x 3.7"
Surround Speaker Weight	0.6kg \ 1,3 lbs
Packaging Dimensions (W x H x D)	1008 x 379 x 455 (mm) \ 39.7" x 14.9" x 17.9"
Packaging Weight (Gross)	20.95kg \ 46.1 lbs

### 9a. For most Samsung, LG, Sony and Vizio TVs



9a. For most Samsung, LG, Sony and Vizio TVs  
The soundbar responds to your TV remote control automatically. Press and hold soundbar remote control SHUFFLE button if you want to disable this function.

### 9b. For other TVs



9b. For other TVs  
Please manually program the soundbar to respond to your TV remote control step by step. First, press and hold VOLUME+ and SOURCE to enter learning mode.

### 10a. Connect a TV



10a. Connect a TV  
HDMI OUT (ARC), HDMI, HDMI (ARC), OPTICAL IN, OPTICAL, OPTICAL OUT, TV

10b. Connect to other devices  
HDMI, AUX cable, AUX-IN, HDMI IN, HDMI OUT (ARC), AUX-OUT, HDMI OUT, HDMI IN / HDMI (ARC)

Ovaj dokument je originalno proizveden i objavljen od strane proizvođača, brenda JBL, i preuzet je sa njihove zvanične stranice. S obzirom na ovu činjenicu, Tehnoteka ističe da ne preuzima odgovornost za tačnost, celovitost ili pouzdanost informacija, podataka, mišljenja, saveta ili izjava sadržanih u ovom dokumentu.

Napominjemo da Tehnoteka nema ovlašćenje da izvrši bilo kakve izmene ili dopune na ovom dokumentu, stoga nismo odgovorni za eventualne greške, propuste ili netačnosti koje se mogu naći unutar njega. Tehnoteka ne odgovara za štetu nanесenu korisnicima pri upotrebi netačnih podataka. Ukoliko imate dodatna pitanja o proizvodu, ljubazno vas molimo da kontaktirate direktno proizvođača kako biste dobili sve detaljne informacije.

Za najnovije informacije o ceni, dostupnim akcijama i tehničkim karakteristikama proizvoda koji se pominje u ovom dokumentu, molimo posetite našu stranicu klikom na sledeći link:

<https://tehnoteka.rs/p/jbl-soundbar-zvucnik-bar-51-akcija-cena/>