

Uputstvo za upotrebu (EN)

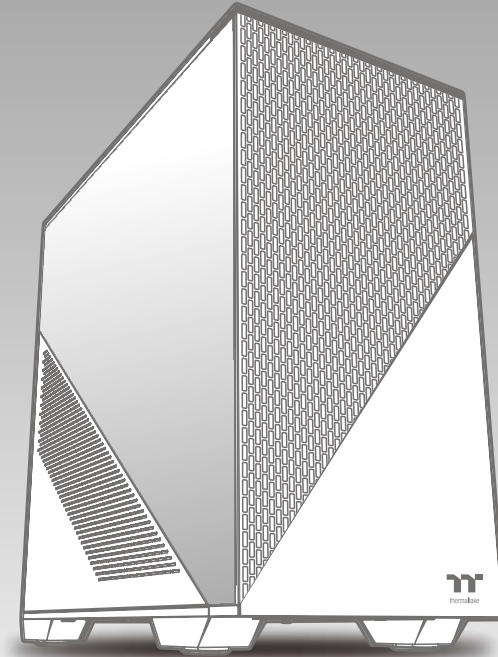
THERMALTAKE kućište Divider 170 TG ARGB



Tehnoteka je online destinacija za upoređivanje cena i karakteristika bele tehnike, potrošačke elektronike i IT uređaja kod trgovinskih lanaca i internet prodavnica u Srbiji. Naša stranica vam omogućava da istražite najnovije informacije, detaljne karakteristike i konkurentne cene proizvoda.

Posetite nas i uživajte u ekskluzivnom iskustvu pametne kupovine klikom na link:

<https://tehnoteka.rs/p/thermaltake-kuciste-divider-170-tg-argb-akcija-cena/>



Divider 170 TG ARGB

User's Manual
Benutzerhandbuch
Mode d'emploi
Manual del usuario
Manuale dell'utente
Manual do Utilizador

安裝說明書
用戶手冊
ユーザーズマニュアル
Руководство пользователя
kullanıcı elkitabı
(EEE Yönetmeliğine Uygundur)
คู่มือการใช้



© 2022 Thermaltake Technology Co., Ltd. All Rights Reserved. 2022.05
All other registered trademarks belong to their respective companies. www.thermaltake.com



TT Premium



TT Premium

To continue achieving the corporate mission of delivering the perfect user experience, Thermaltake developed "TT Premium" with the essence of combining supreme quality products with a new logo design. TT Premium is far more than just a guarantee of quality. Behind the name, it represents the passion in DIY, Modding and Thermaltake's desire to be the most innovative brand in the PC hardware market. To satisfy the demand of the high-end PC users, TT Premium follows its core values of Excellent Quality, Unique Design, Diverse Combinations and Boundless Creativity to provide a high performance PC product for every enthusiast. <http://tppremium.com>

Tt LCS-Liquid Cooling Support Certification



Tt LCS Certified is a Thermaltake exclusive certification applied to only products that pass the design and hardcore enthusiasts standards that a true LCS chassis should be held to. The Tt LCS certification was created so that we at Thermaltake can designate to all power users which chassis have been tested to be best compatible with extreme liquid cooling configurations to ensure you get the best performance from the best features and fitment.

Join Tt Community To Receive Benefits



Dear Valued Customer,
Thank you for choosing Thermaltake.
As a new user we value your thoughts and opinions and your feedback is important to us. We at Thermaltake would like to use this opportunity to invite you to join our Community Forums. Register today to start enjoying the full benefits of our community.



Benefits of being a member:

- Quick and responsive user support
- Receive help and advice with new builds
- Keep up to date with new product releases
- Share your thoughts and builds with the community
- Enter monthly contests and giveaways

Brand official website
<http://www.thermaltake.com/>

Global Facebook
<https://www.facebook.com/ThermaltakeInc>

Taiwan Facebook
<http://www.facebook.com/ThermaltakeTW>

Global community forums
<http://community.thermaltake.com>

CONTENTS


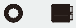

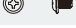
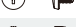
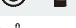




Chapter 1. Product Introduction

1.0	Specification	01
1.1	Accessory	02
1.2	Warning and Notice	03


Chapter 2. Installation Guide

2.0	Remove Components	06
2.1	Power Supply Unit (PSU) Installation	07
2.2	Motherboard Installation	08
2.3	3.5" & 2.5" HDD Installation	09
2.4	PCI Card Installation	11
2.5	Air Cooling Installation	12
2.6	AIO Liquid Cooling Installation	13
2.7	I/O Connection	14
2.8	Remove Filters	15
2.9	ARGB Control Instruction	16
3.0	PWM ARGB Control Board Connection	17

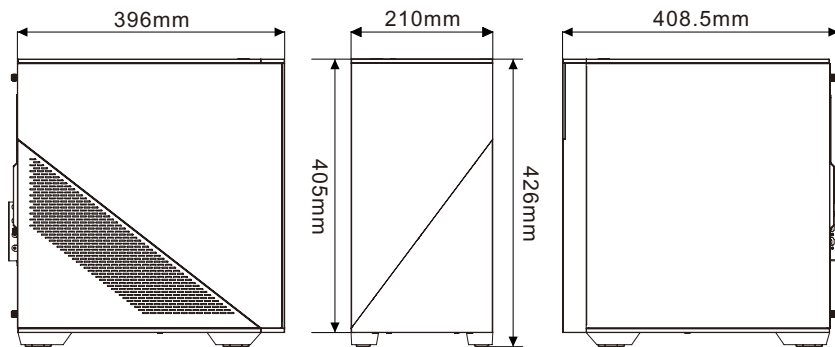
Case Type	Micro Case		
Dimension (H*W*D)	426 x 210 x 408.5 mm (16.8 x 8.3 x 16.1 inch)		
Side Panel	Tempered Glass x 1		
Material	SPCC		
Cooling System	Front (intake): 120 x 120 x 25 mm ARGB PWM fan (1500 rpm, 27.2 dBA) x 2		
Drive Bays	2 x 3.5", 2 x 2.5" or 4 x 2.5"		
Expansion Slots	4		
Motherboards	6.7" x 6.7" (Mini ITX), 9.6" x 9.6" (Micro ATX)		
I/O Port	USB 3.0 x 2, USB 2.0 x 1, HD Audio x 1		
PSU	Standard PS2 PSU (optional)		
Fan Support	Front	3 x 120 mm, 2 x 120 mm, 1 x 120 mm	2 x 140 mm, 1 x 140 mm
	Top	2 x 120 mm, 1 x 120 mm	2 x 140 mm, 1 x 140 mm
	Rear	1 x 120 mm	
Radiator Support	Front	1 x 240 mm, 1 x 120 mm	1 x 280 mm, 1 x 140 mm
	Top	1 x 240 mm, 1 x 120 mm	1 x 140 mm
	Rear	1 x 120 mm	
Clearances	CPU cooler height limitation	160 mm	
	VGA length limitation	300 mm (With radiator) 350 mm (Without radiator)	
	PSU length limitation	200 mm (With HDD Cage)	

Figure	Part Name	Q'ty	Use For
	Screw #6-32 x 6 mm	11	Power Supply / VGA Card
	Net setter	1	Motherboard Stand-off installation
	Stand-off #6-32 x 6.5 mm	3	Motherboard
	Screw M3 x 5 mm	30	Motherboard / 2.5" HDD / SSD
	Stand #6-32 x 5 mm	12	3.5" HDD
	Stand #6-32 x 10 mm	2	3.5" HDD Cage
	Stand #6-32 x 28 mm	13	Front Fan / Power Cover Fan
	Buzzer	1	Motherboard Alarm
	PCI Leaf	2	PCI Plate
	Cable Ties	10	Cable Management

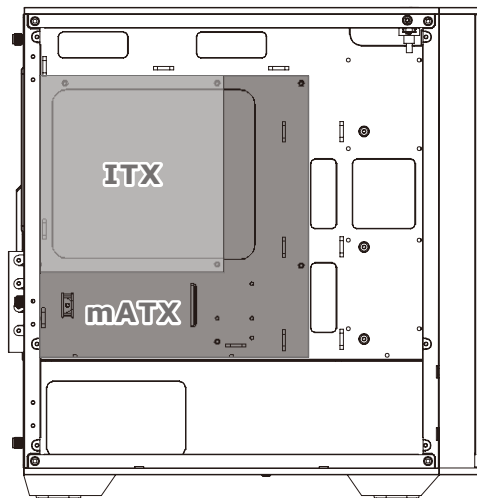
For ARGB Version Only

Figure	Parts Name	Q'ty	Used for
	MB Signal Bridge Cable (ASUS/MSI/ASROCK/GIGABYTE)	1	LED Signal Sync

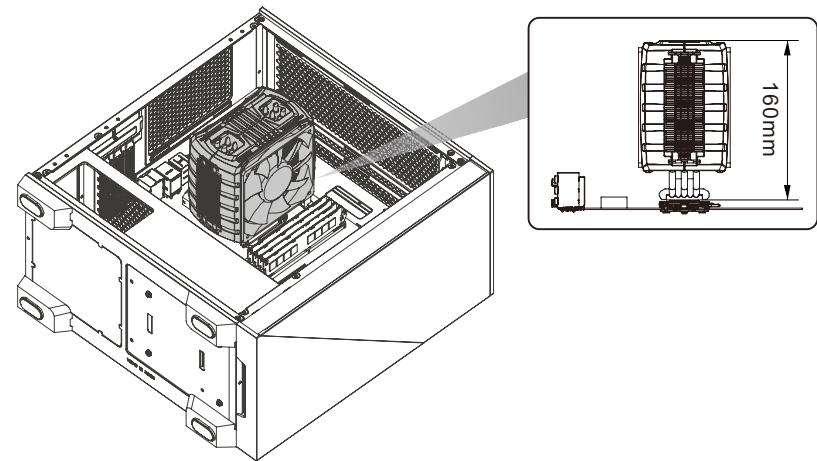
Chassis dimension



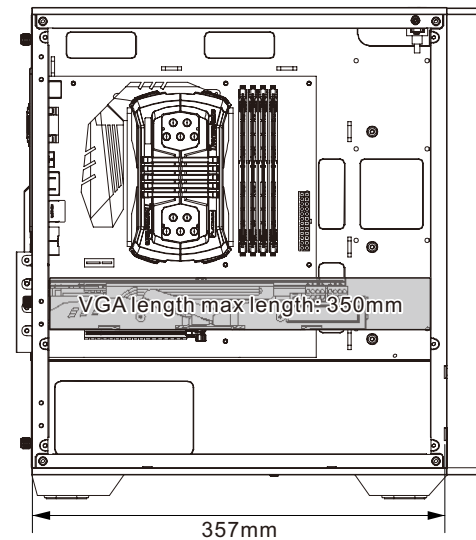
Motherboard Compatibility: ITX / mATX
(Up to 244mm wide)



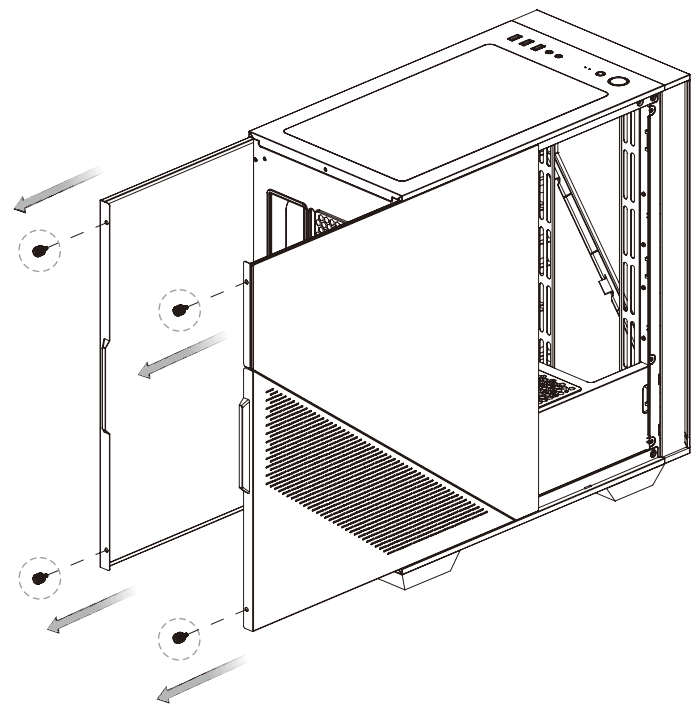
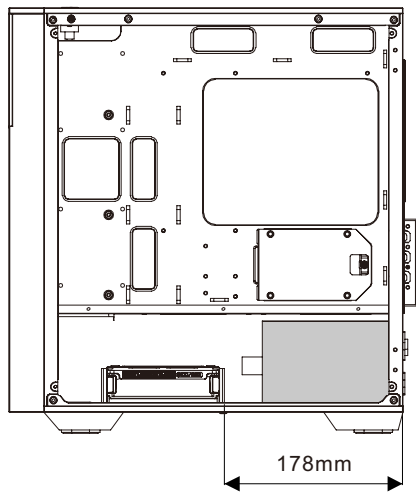
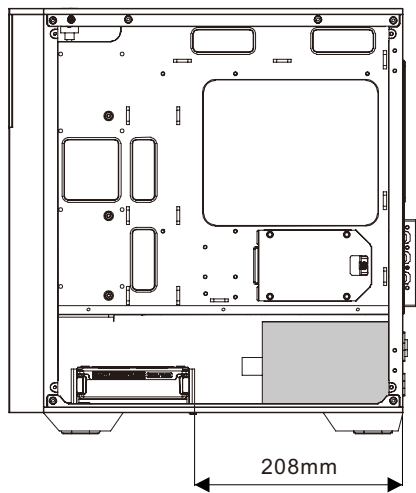
CPU cooler max height: 160mm

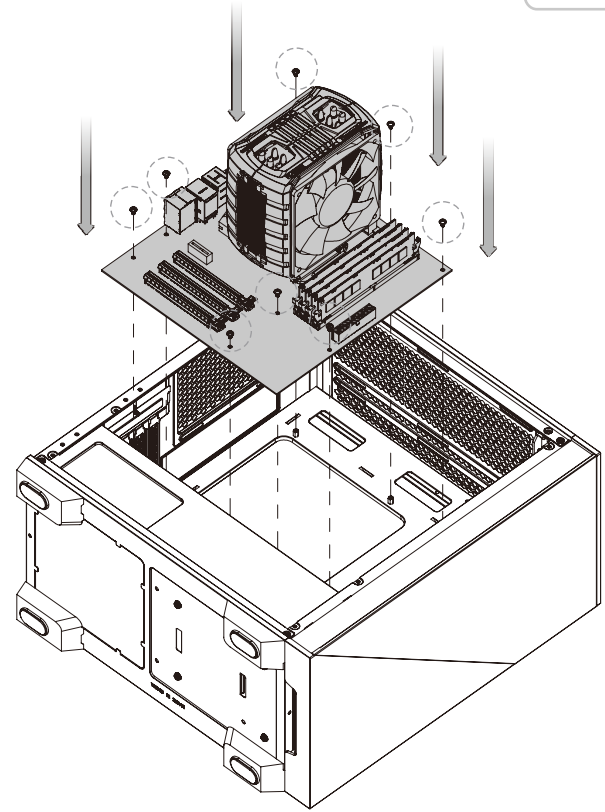
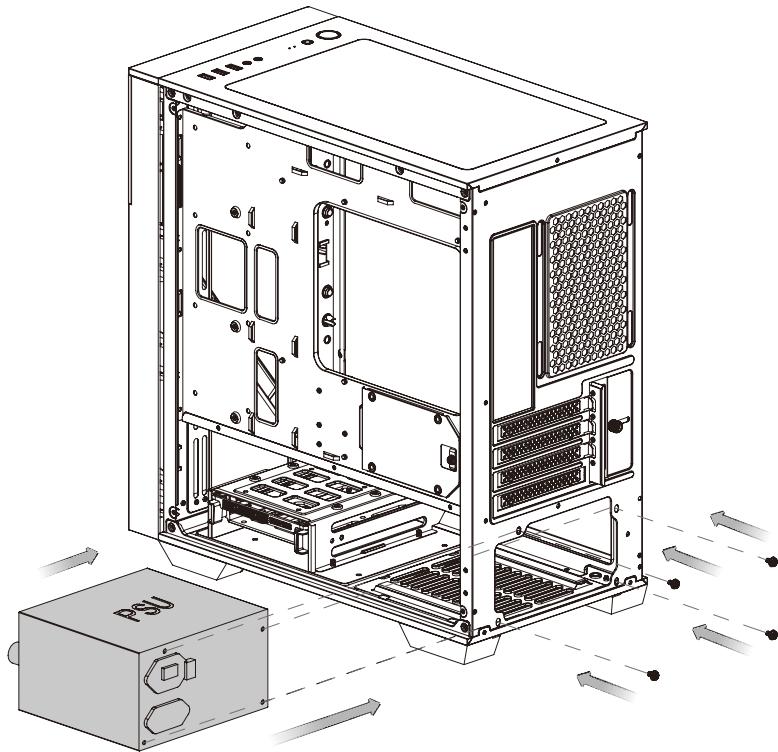


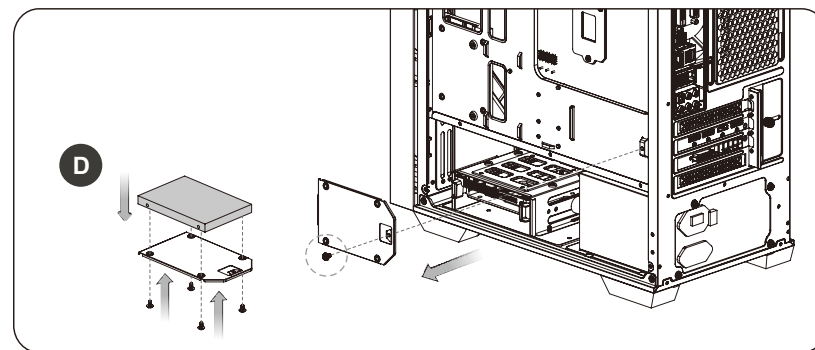
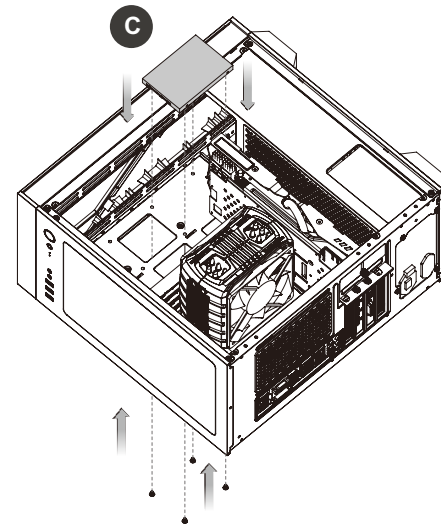
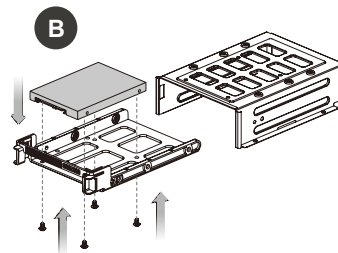
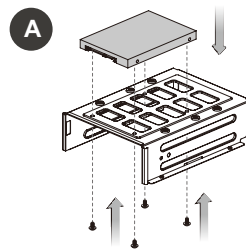
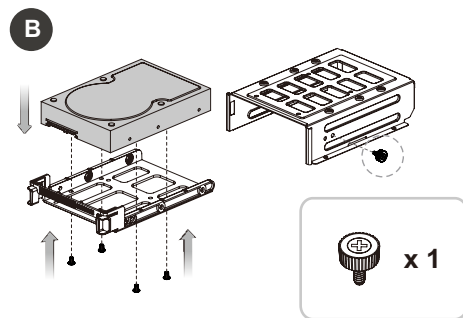
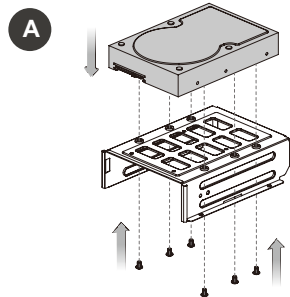
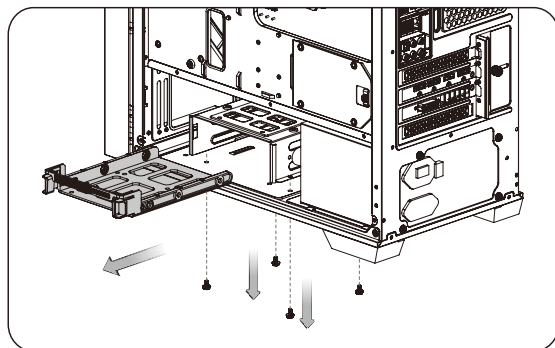
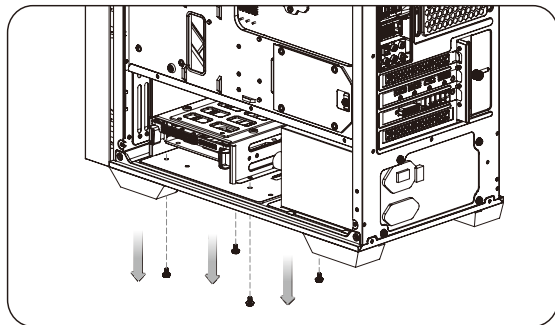
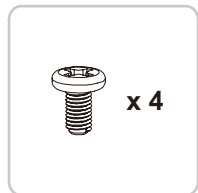
VGA length max length: 350mm

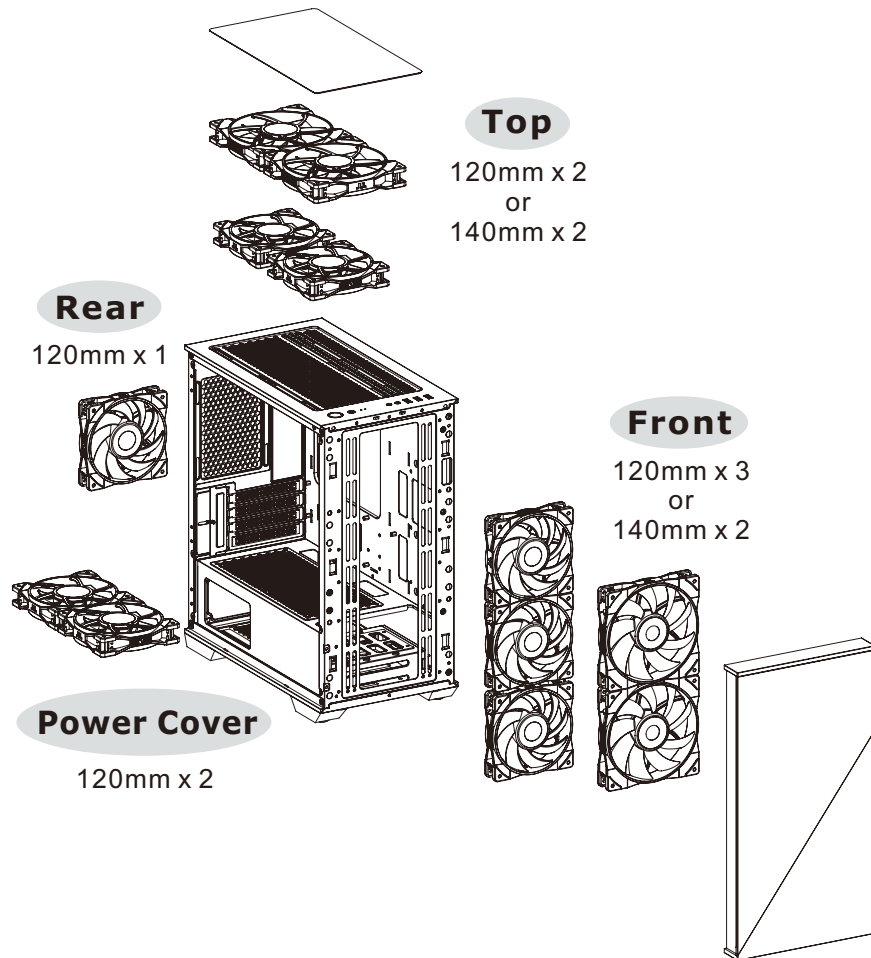
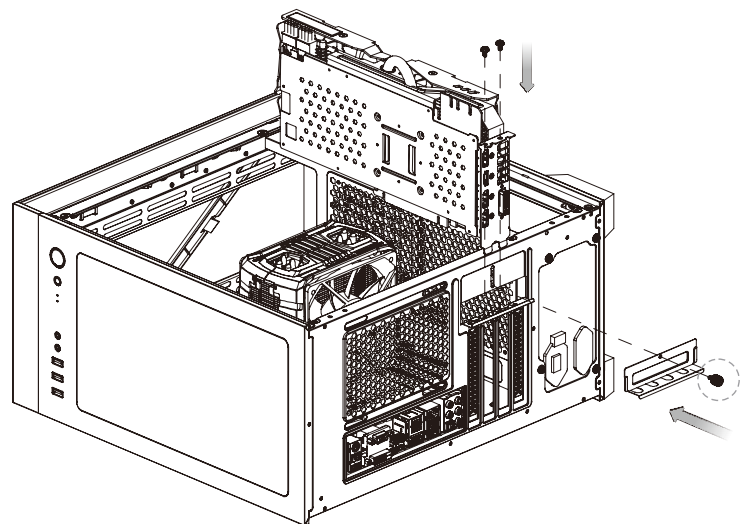
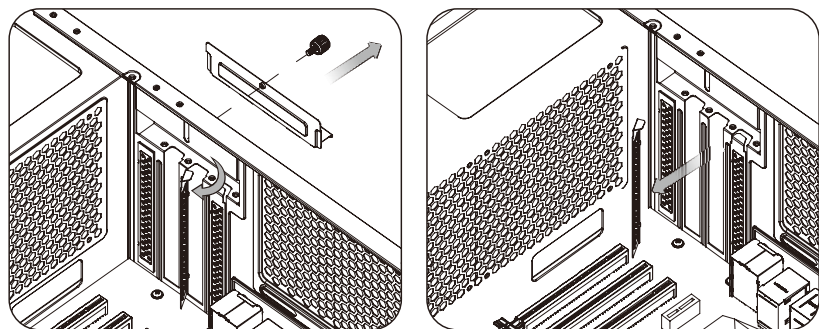


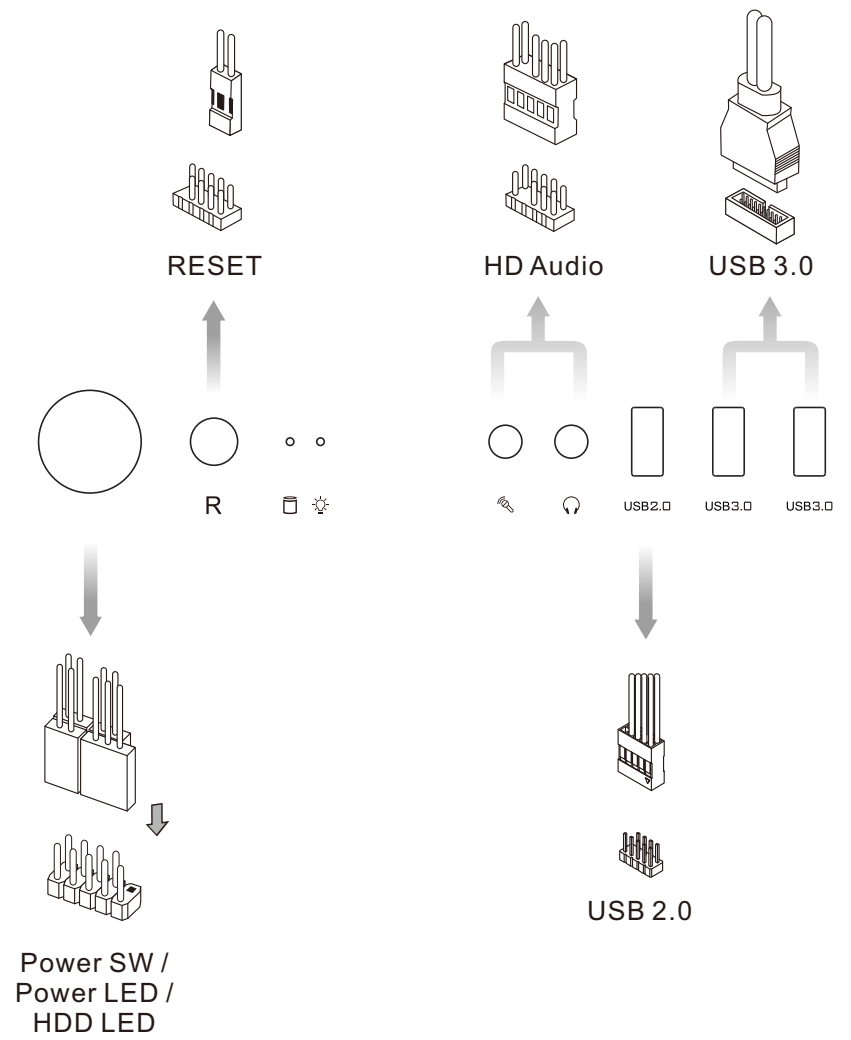
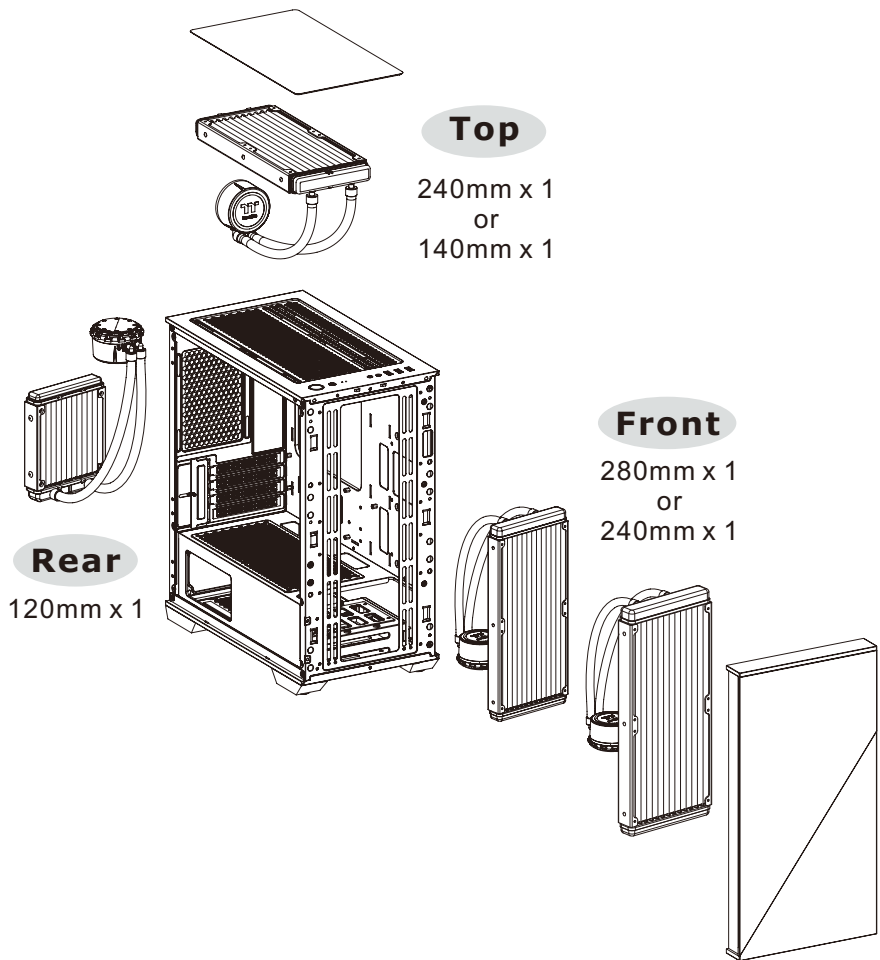
PSU max length: 200mm

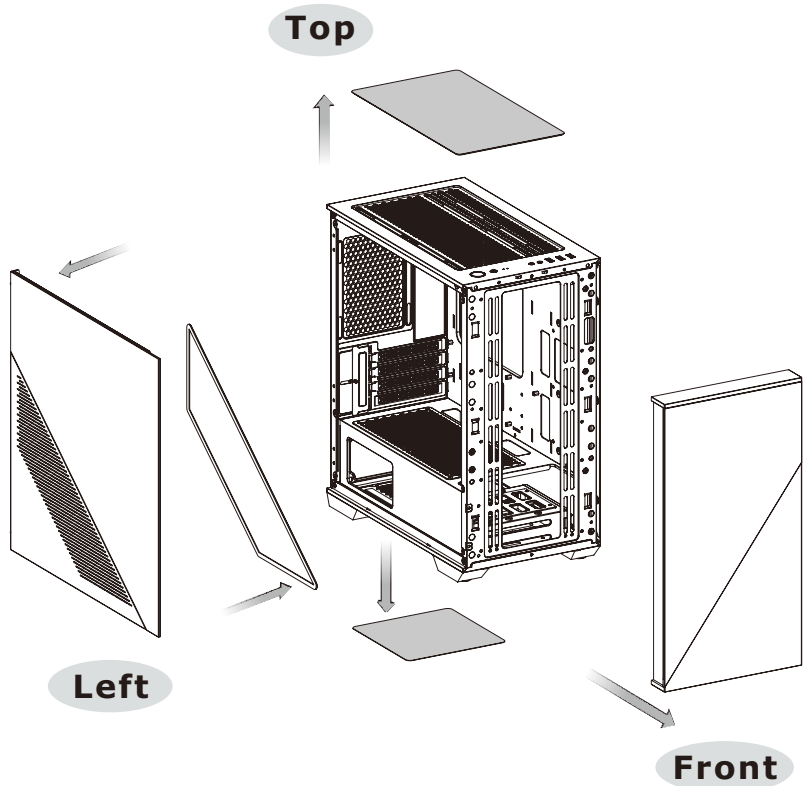












I/O Port



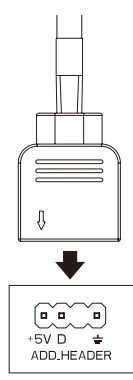
- Wave Mode** Mode 1
- Flow Mode** Mode 2
- RGB Lighting** Mode 3 (Single Color)
- Radar Mode** Mode 4~10 (Red, Yellow, Green, Cyan, Blue, White, Purple)
- Breath Mode** Mode 11~18 (RGB, Red, Yellow, Green, Cyan, Blue, White, Purple)
- Full Lighted Mode** Mode 19
- Single Color** Mode 20~26 (Red, Yellow, Green, Cyan, Blue, White, Purple)
- Light Off** Mode 27

※ Long press on RGB button for 3 seconds, fan will blink twice which now are controlled by MB software. And vice versa.

How to connect MB

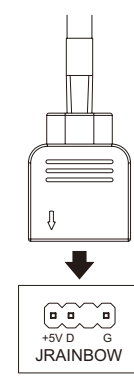
ASUS/ASRock/BIOSTAR

Aura Addressable Strip Header(s)



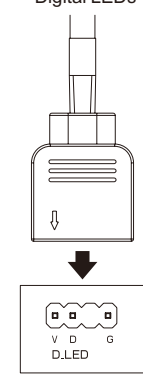
MSI

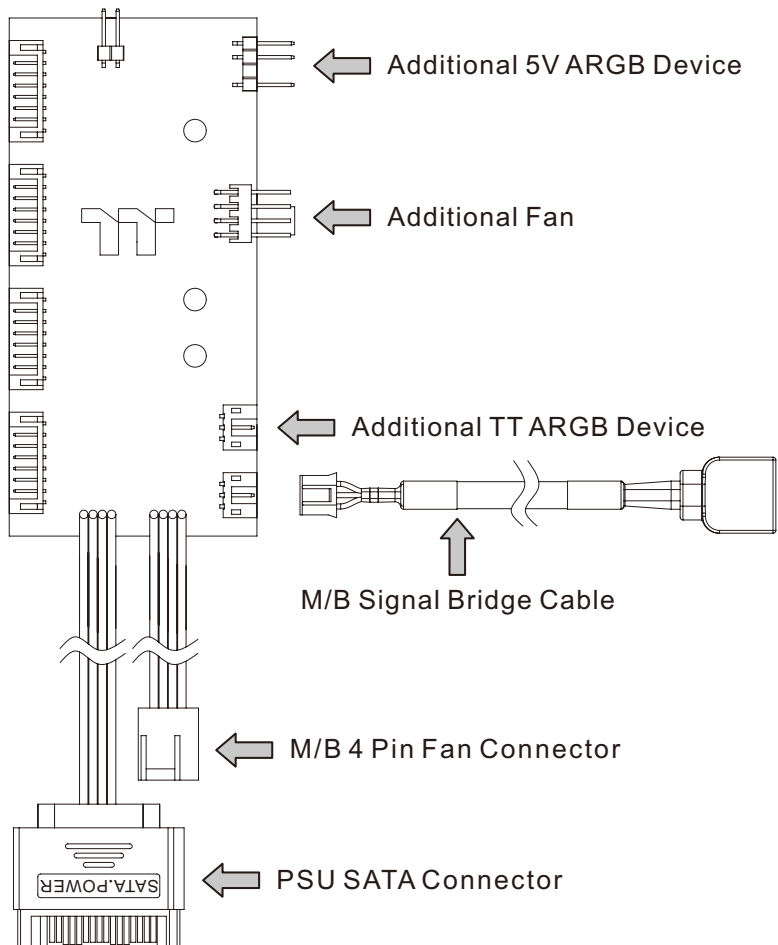
JRGB-strip Header(S)



GIGABYTE

AOURS RGB Fusion with Digital LEDs





Note:

Note:

Ovaj dokument je originalno proizveden i objavljen od strane proizvođača, brenda Thermaltake, i preuzet je sa njihove zvanične stranice. S obzirom na ovu činjenicu, Tehnoteka ističe da ne preuzima odgovornost za tačnost, celovitost ili pouzdanost informacija, podataka, mišljenja, saveta ili izjava sadržanih u ovom dokumentu.

Napominjemo da Tehnoteka nema ovlašćenje da izvrši bilo kakve izmene ili dopune na ovom dokumentu, stoga nismo odgovorni za eventualne greške, propuste ili netačnosti koje se mogu naći unutar njega. Tehnoteka ne odgovara za štetu nanесenu korisnicima pri upotrebi netačnih podataka. Ukoliko imate dodatna pitanja o proizvodu, ljubazno vas molimo da kontaktirate direktno proizvođača kako biste dobili sve detaljne informacije.

Za najnovije informacije o ceni, dostupnim akcijama i tehničkim karakteristikama proizvoda koji se pominje u ovom dokumentu, molimo posetite našu stranicu klikom na sledeći link:

<https://tehnoteka.rs/p/thermaltake-kuciste-divider-170-tg-argb-akcija-cena/>