

## Uputstvo za upotrebu (EN)

THERMALTAKE kućište Core P3 TG Pro crno



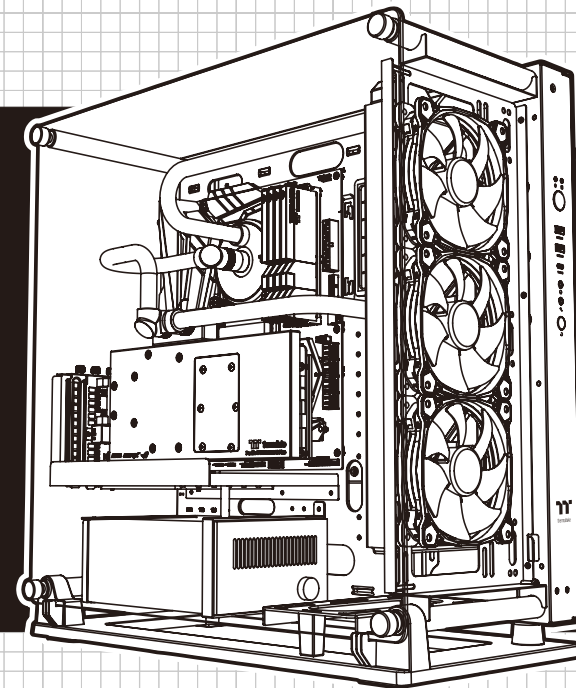
Tehnoteka je online destinacija za upoređivanje cena i karakteristika bele tehnike, potrošačke elektronike i IT uređaja kod trgovinskih lanaca i internet prodavnica u Srbiji. Naša stranica vam omogućava da istražite najnovije informacije, detaljne karakteristike i konkurentne cene proizvoda.

Posetite nas i uživajte u ekskluzivnom iskustvu pametne kupovine klikom na link:

<https://tehnoteka.rs/p/thermaltake-kuciste-core-p3-tg-pro-crno-akcija-cena/>

# CORE P3 T6 PRO

Your Build. Our Core



User's Manual  
Benutzerhandbuch  
Mode d'emploi  
Manual del usuario  
Manuale dell'utente  
Manual do Utilizador  
安裝說明書  
用戶手冊  
ユーザーズマニュアル  
Руководство пользователя  
kullanıcı elkitabı  
(EEE Yönetmeliğine Uygun)  
คู่มือการใช้งาน

Picture is for reference only

## TT Premium



### TT Premium

To continue achieving the corporate mission of delivering the perfect user experience, Thermaltake developed "TT Premium" with the essence of combining supreme quality products with a new logo design. TT Premium is far more than just a guarantee of quality. Behind the name, it represents the passion in DIY, Modding and Thermaltake's desire to be the most innovative brand in the PC hardware market. To satisfy the demand of the high-end PC users, TT Premium follows its core values of Excellent Quality, Unique Design, Diverse Combinations and Boundless Creativity to provide a high performance PC product for every enthusiast. <http://tppremium.com>

## Tt LCS-Liquid Cooling Support Certification



Tt LCS Certified is a Thermaltake exclusive certification applied to only products that pass the design and hardcore enthusiasts standards that a true LCS chassis should be held to. The Tt LCS certification was created so that we at Thermaltake can designate to all power users which chassis have been tested to be best compatible with extreme liquid cooling configurations to ensure you get the best performance from the best features and fitment.

## Join Tt Community To Receive Benefits



Dear Valued Customer,  
Thank you for choosing Thermaltake.  
As a new user we value your thoughts and opinions and your feedback is important to us. We at Thermaltake would like to use this opportunity to invite you to join our Community Forums. Register today to start enjoying the full benefits of our community.



### Benefits of being a member:

- Quick and responsive user support
- Receive help and advice with new builds
- Keep up to date with new product releases
- Share your thoughts and builds with the community
- Enter monthly contests and giveaways

**Brand official website**  
<http://www.thermaltake.com/>

**Global Facebook**  
<https://www.facebook.com/ThermaltakeInc>

**Taiwan Facebook**  
<http://www.facebook.com/ThermaltakeTW>

**Global community forums**  
<http://community.thermaltake.com>

# CONTENTS

## Chapter 1. Product Introduction

|     |                          |    |
|-----|--------------------------|----|
| 1.0 | Specification .....      | 01 |
| 1.1 | Accessory .....          | 02 |
| 1.2 | Warning and Notice ..... | 03 |

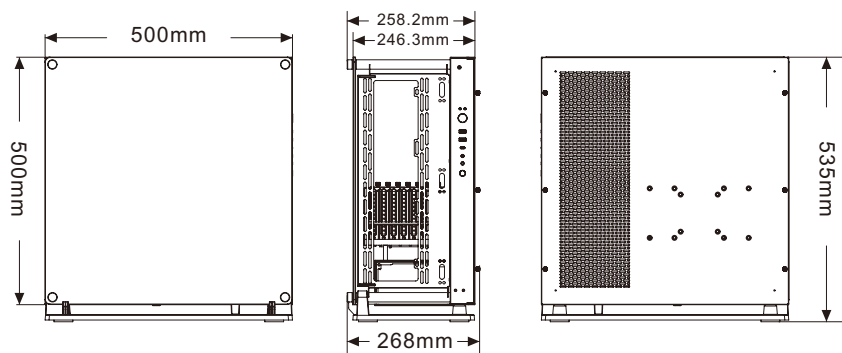
## Chapter 2. Installation Guide

|      |  |    |
|------|--|----|
| 2.0  | Components Installation .....              | 06 |
| 2.1  | Window Panel Installation .....            | 07 |
| 2.2  | Stand Installation .....                   | 08 |
| 2.3  | Fan Bracket Installation .....             | 09 |
| 2.4  | Power Supply Unit (PSU) Installation ..... | 10 |
| 2.5  | Motherboard Installation .....             | 12 |
| 2.6  | 3.5" & 2.5" HDD Installation .....         | 13 |
| 2.7  | PCI Card Installation .....                | 15 |
| 2.8  | Liquid Cooling Installation .....          | 19 |
| 2.9  | Air Cooling Installation .....             | 21 |
| 2.10 | Wall-mounting .....                        | 22 |
| 2.11 | I/O Connection .....                       | 23 |

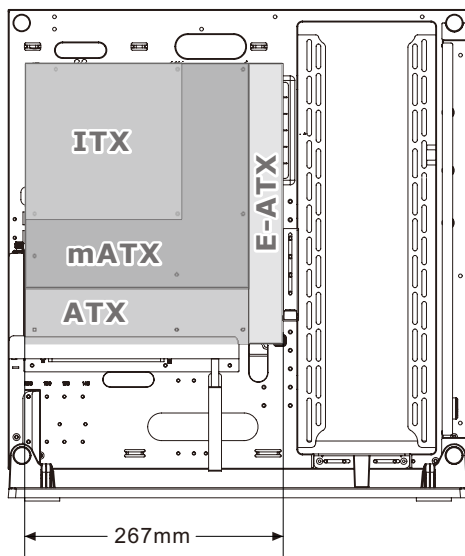
|                   |  |
|-------------------|--|
| Case Type         | Mid Tower  |
| Dimension (H*W*D) | 535 x 268 x 500 mm (21.06 x 10.55 x 19.69 inch)  |
| Side Panel        | Tempered Glass x 1   |
| Material          | SPCC   |
| Cooling System    | -  |
| Drive Bays        | 2 x 3.5" or 3 x 2.5"<br>4 x 3.5" or 5 x 2.5" (With HDD bracket)  |
| Expansion Slots   | 8 (Rotatable Patented Design)  |
| Motherboards      | 6.7" x 6.7" (Mini ITX), 9.6" x 9.6" (Micro ATX),<br>12" x 9.6" (ATX), 12" x 10.5" (E-ATX)  |
| I/O Port          | USB 3.2 (Gen 2) Type C x 1, USB 3.0 x 2, HD Audio x 1  |
| PSU               | Standard PS2 PSU (optional)  |
| Fan Support       | <b>Right (M/B Side):</b> 3 x 120 mm, 2 x 120 mm, 1 x 120 mm<br>3 x 140 mm, 2 x 140 mm, 1 x 140 mm<br><b>Bracket (Front or Top):</b> 3 x 120 mm, 2 x 120 mm, 1 x 120 mm<br>3 x 140 mm, 2 x 140 mm, 1 x 140 mm |
| Radiator Support  | <b>Right (M/B Side):</b> 1 x 360 mm, 1 x 240 mm, 1 x 120 mm<br>1 x 420 mm, 1 x 280 mm, 1 x 140 mm<br><b>Bracket (Front or Top):</b> 1 x 360 mm, 1 x 240 mm, 1 x 120 mm<br>1 x 420 mm, 1 x 280 mm, 1 x 140 mm |
| Clearance         | CPU cooler height limitation: 180mm<br>VGA length limitation: 330mm (With Reservoir)<br>450mm (Without Reservoir)<br>PSU length limitation: 200mm  |

| Figure | Part Name                | Q'ty | Use For  |
|--------|--------------------------|------|--|
|        | Screw-off #6-32 x 6 mm   | 11   | Motherboard  |
|        | Screw #6-32 x 6 mm       | 32   | PSU / PSU Brackets / HDD Bracket /<br>Vertical VGA Bracket / PCI-e Bracket /<br>Pump Bracket |
|        | Screw #6-32 x 6 mm       | 2    | Stand-off Pole #6-32   |
|        | Net setter               | 1    | Motherboard Stand-off  |
|        | Cable Ties               | 10   | Cable Management   |
|        | Buzzer                   | 1    | Motherboard Alarm  |
|        | Screw M3 x 6.5 mm        | 20   | 2.5" SSD   |
|        | HDD Rubber               | 16   | 3.5"/ 2.5" HDD/SSD   |
|        | Rubber M5                | 4    | Tempered Glass Panel   |
|        | Rubber M5 x 1.5          | 4    | Tempered Glass Panel   |
|        | Rubber Foot              | 4    | Horizontal Case Placement  |
|        | Stand-off Pole #6-32     | 1    | Vertical VGA Bracket   |
|        | Screw #5 x 10 mm         | 12   | Fans   |
|        | Screw #6-32 x 6 mm       | 30   | Motherboard/ 3.5" HDD/ Riser Cable   |
|        | Thumb Screw #6-32 x 6 mm | 5    | Riser Cable Bracket/ VGA Holder  |
|        | Screw M4 x 10 mm         | 2    | Foot for Vertical Case Placement   |
|        | Screw #6-32 x 10 mm      | 4    | Rubber Feet for Horizontal Case Placement  |

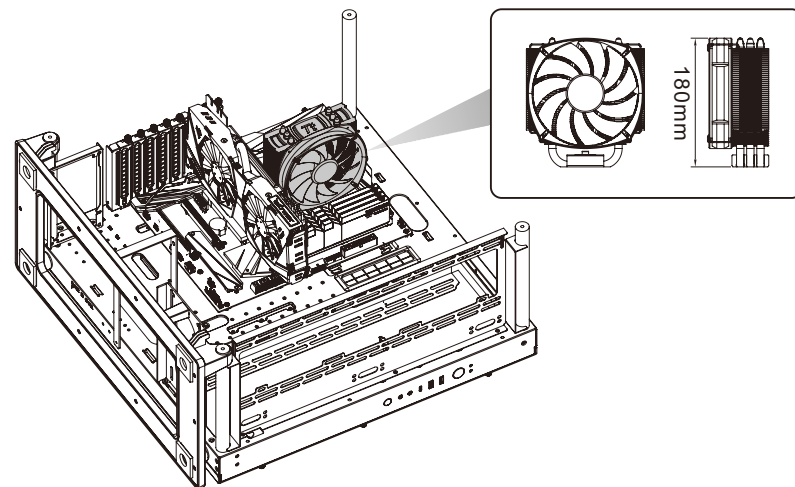
Chassis dimension



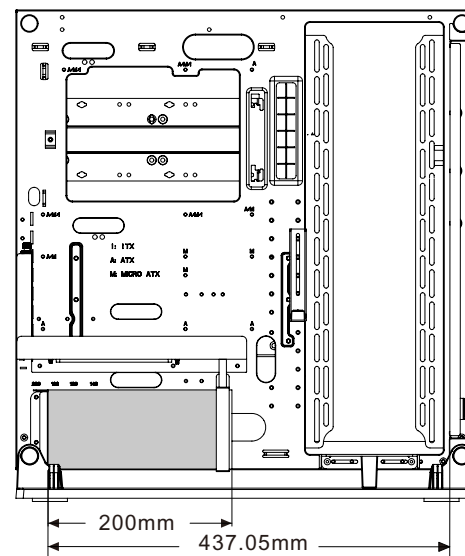
Motherboard Compatibility: ITX / mATX / ATX / E-ATX (Up to 267mm wide)



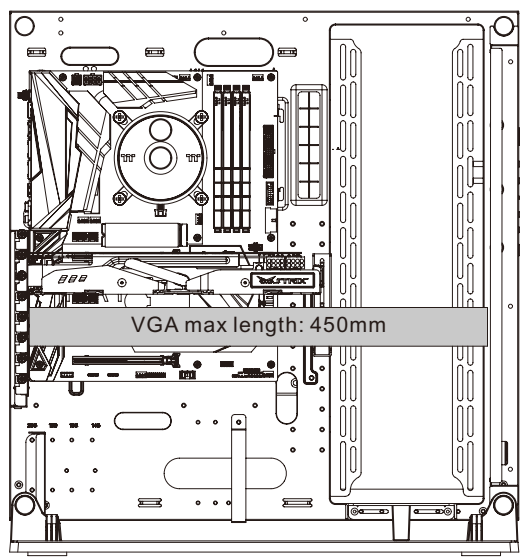
CPU cooler max height: 180mm



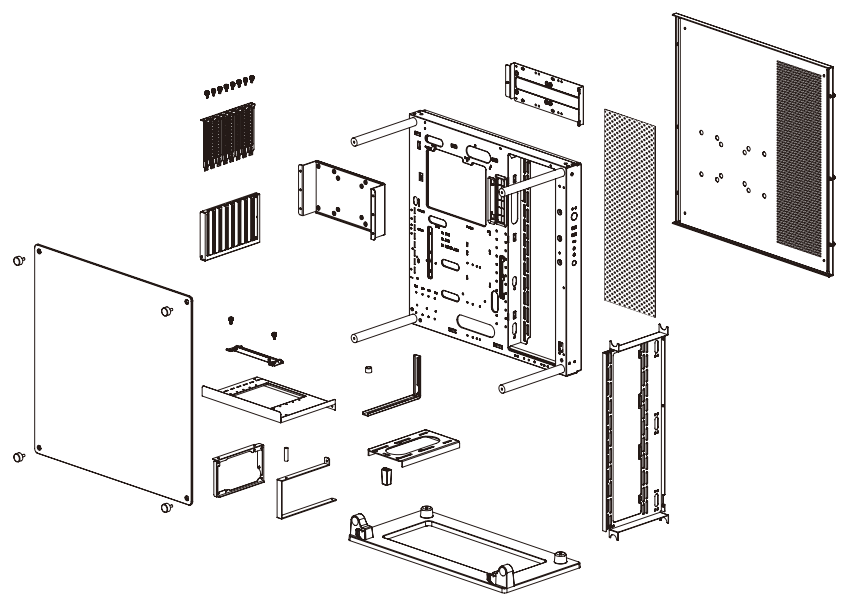
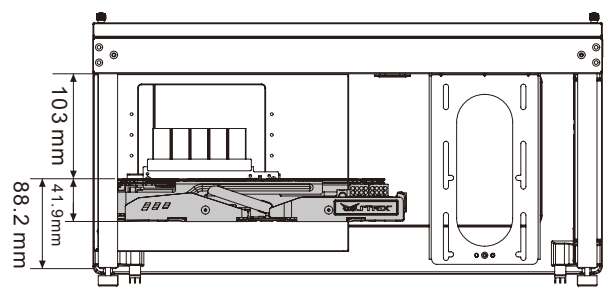
PSU max length: 200mm

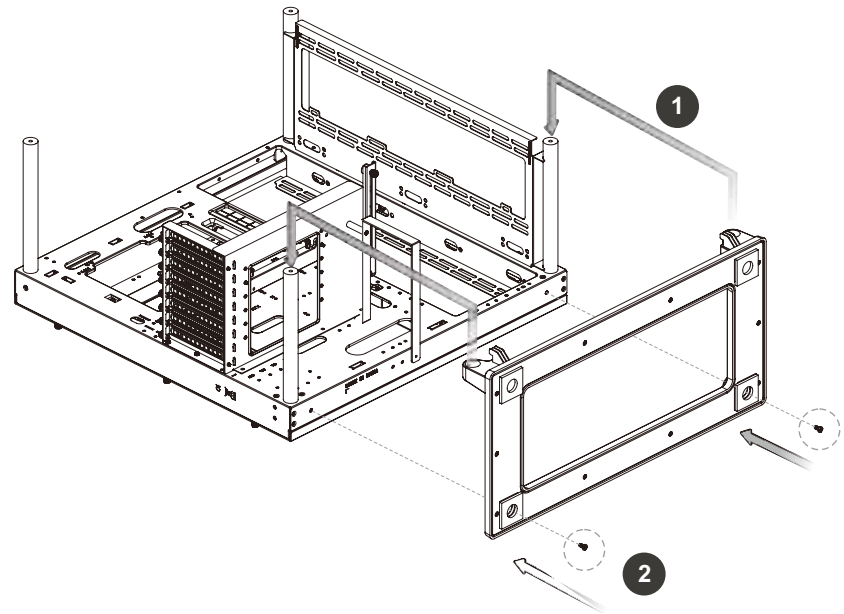
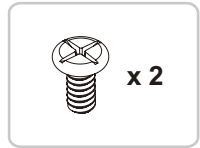
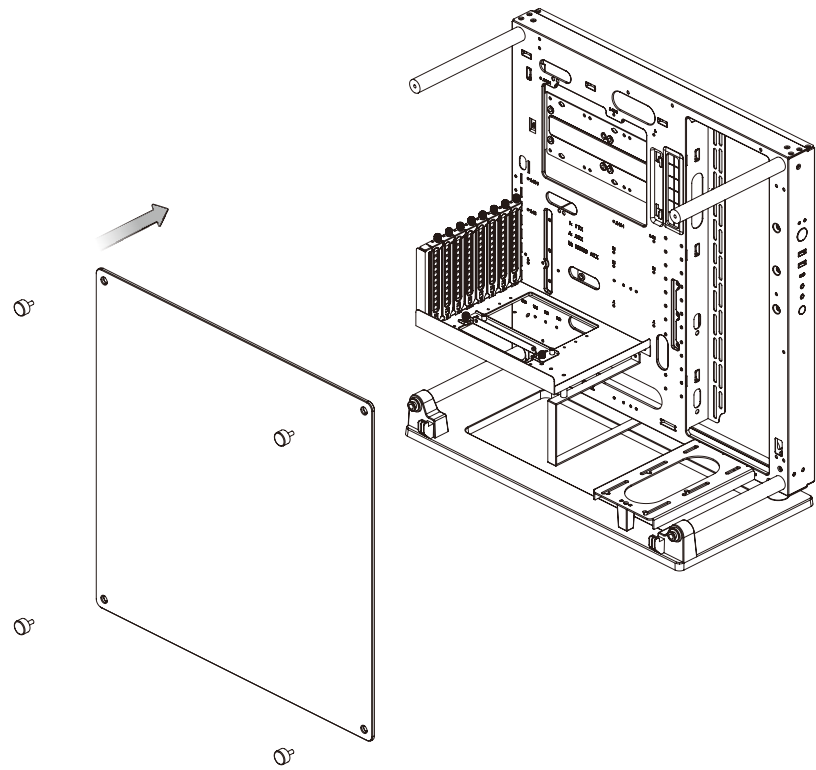


VGA max length: 450mm

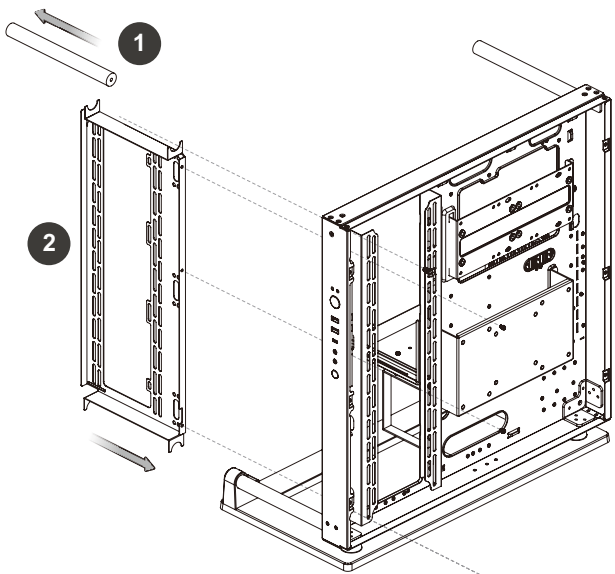


VGA max width: 88.2mm

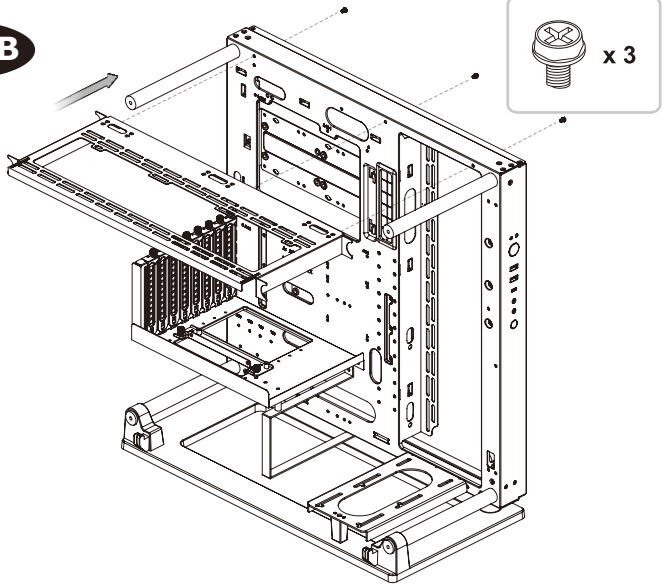




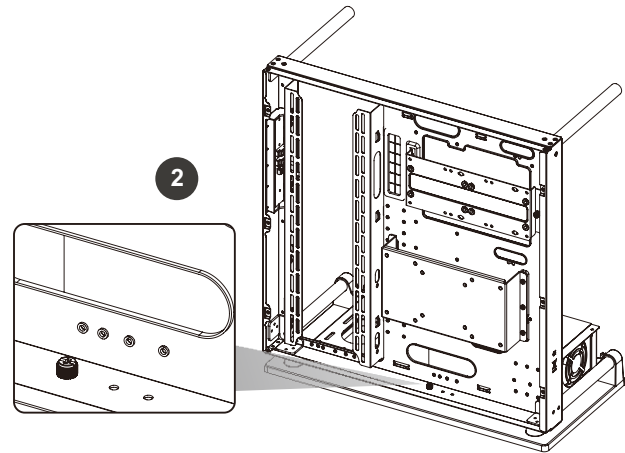
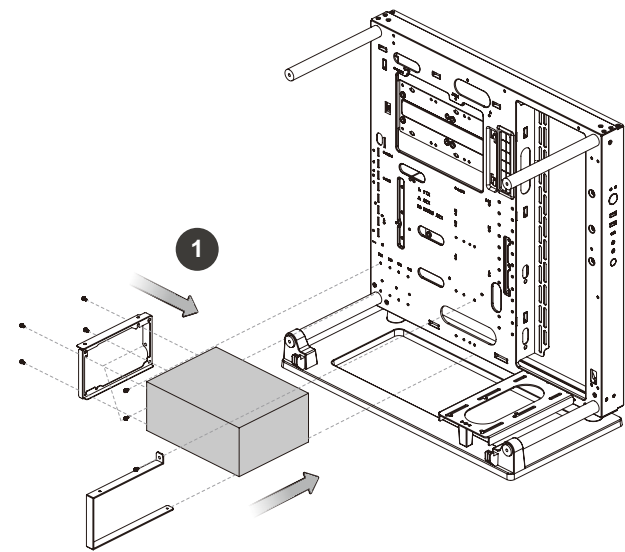
Type A

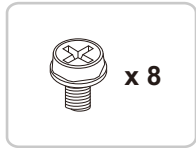


Type B

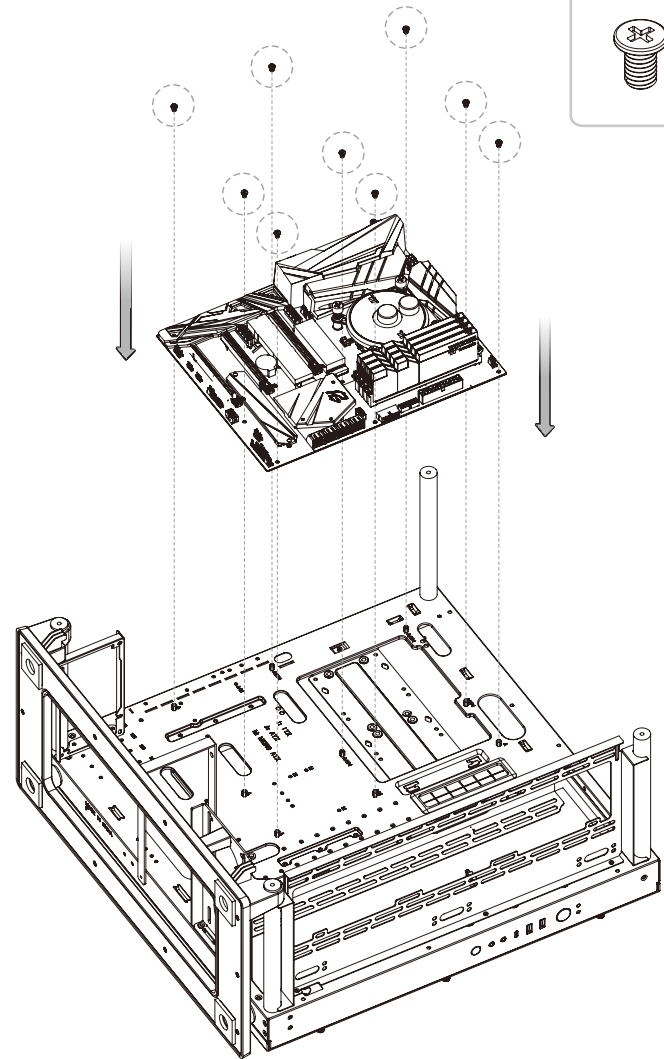
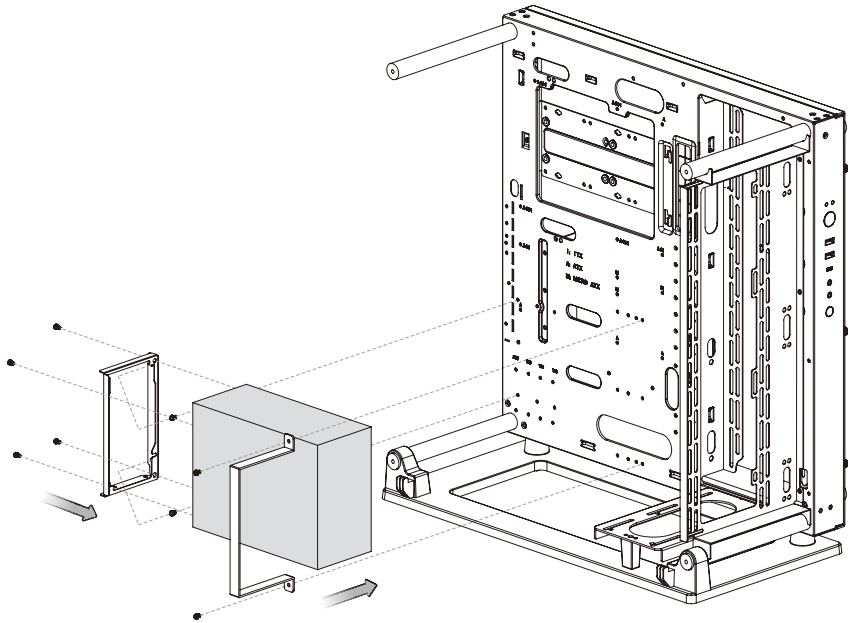


Type A: Horizontal PSU



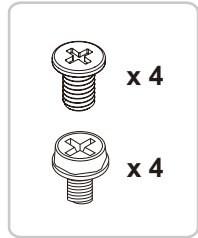
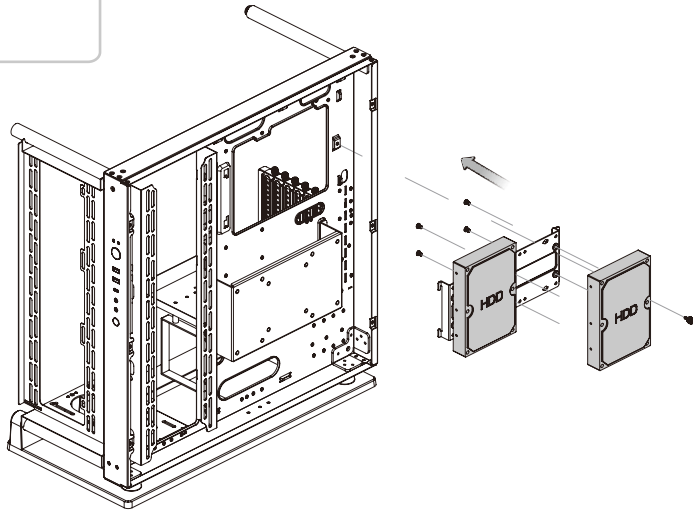


Type B: Vertical PSU  
(mATX/ITX motherboard only)

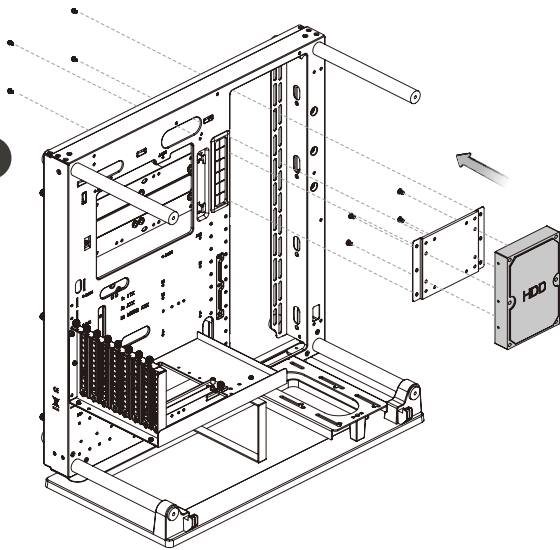




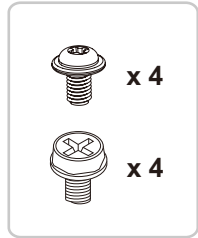
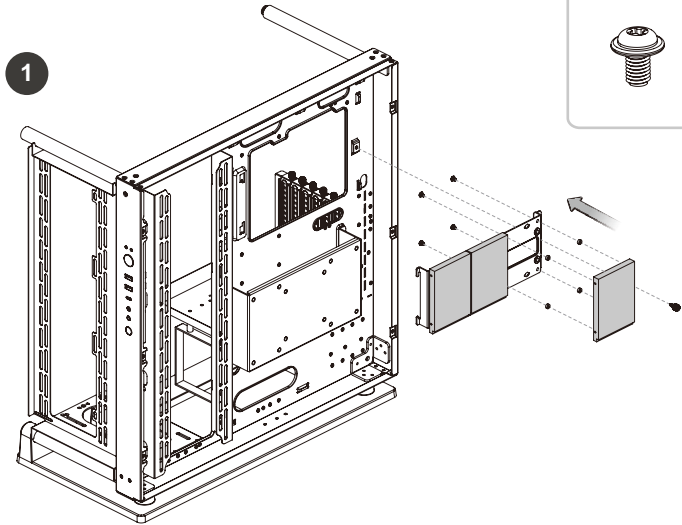
1



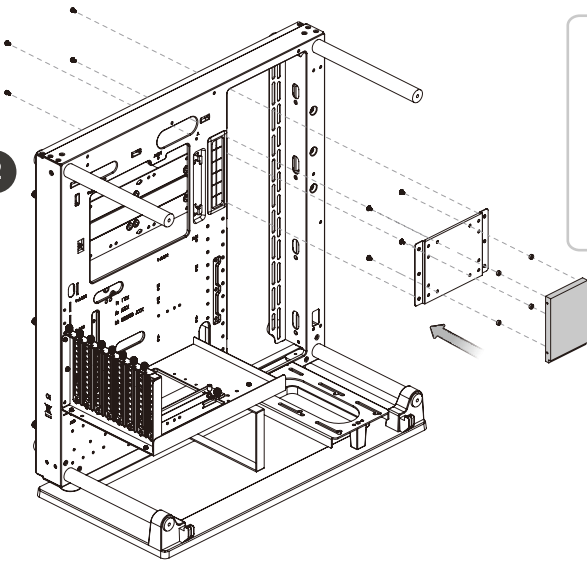
2



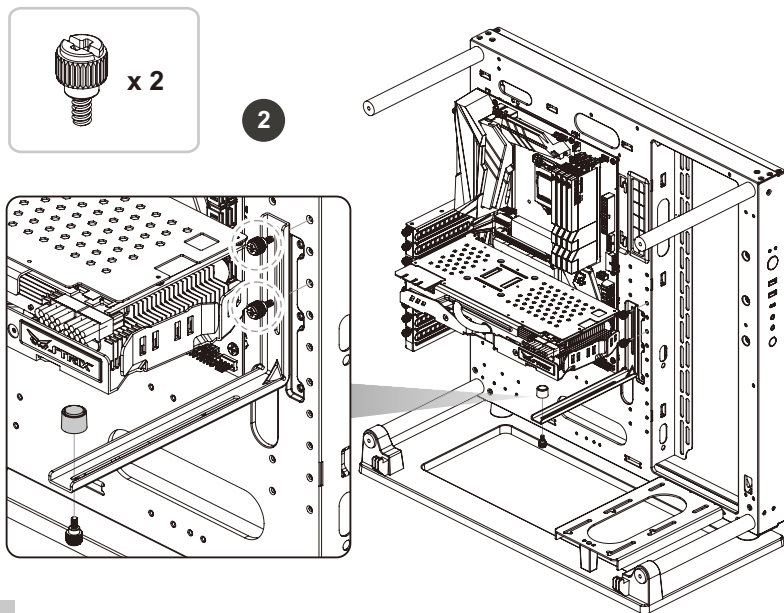
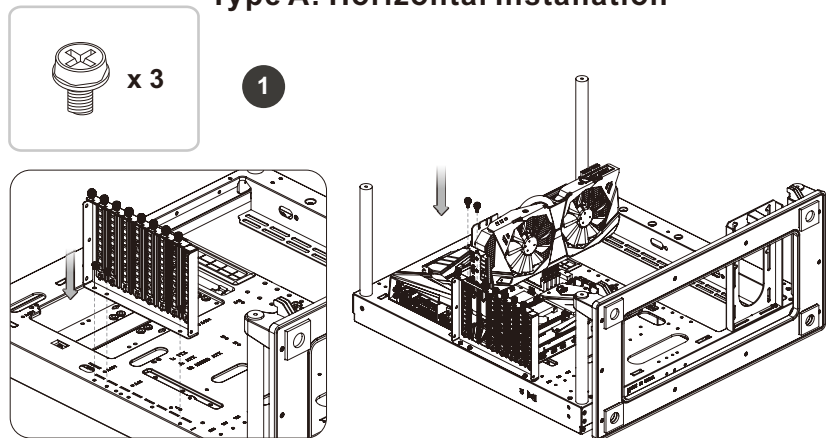
1



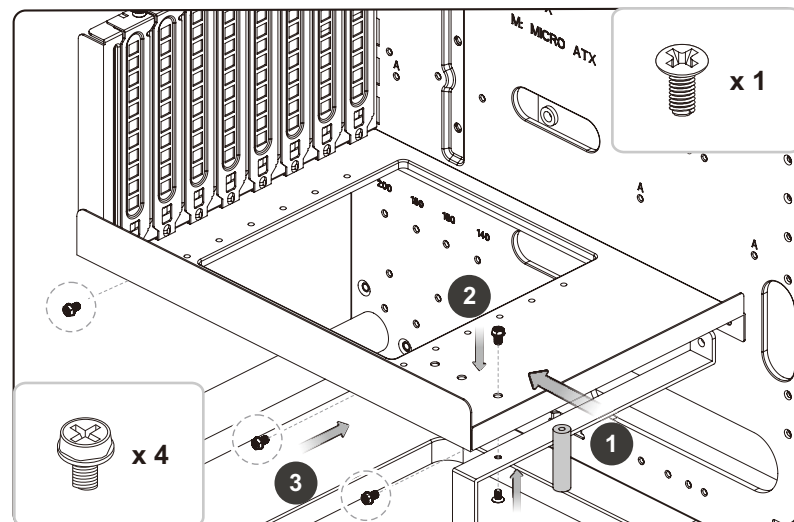
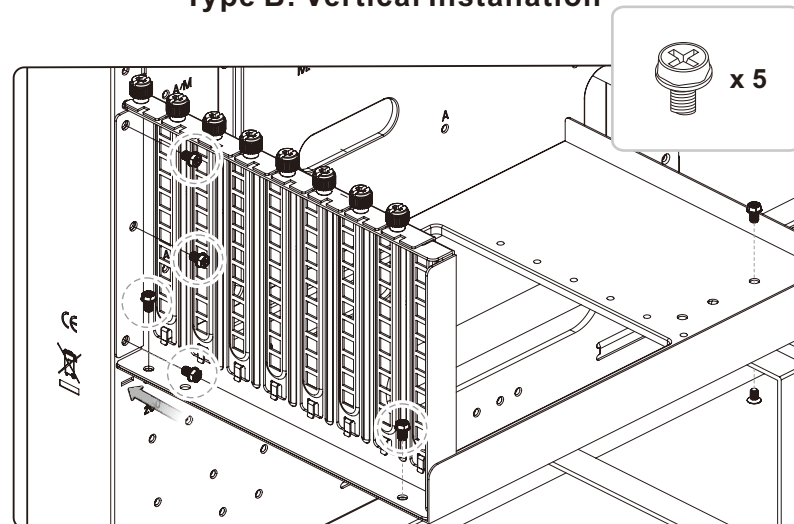
2

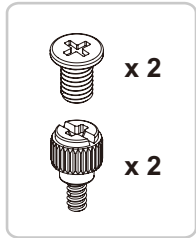


Type A: Horizontal Installation

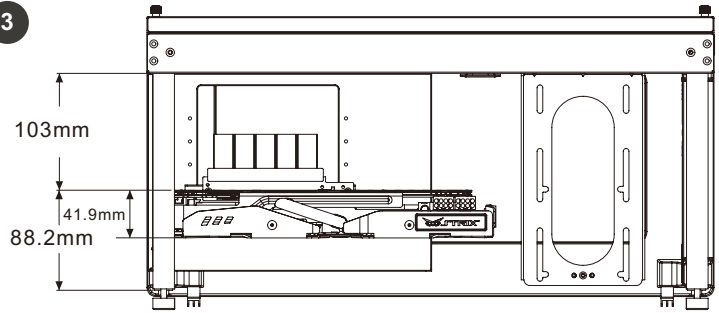


Type B: Vertical Installation





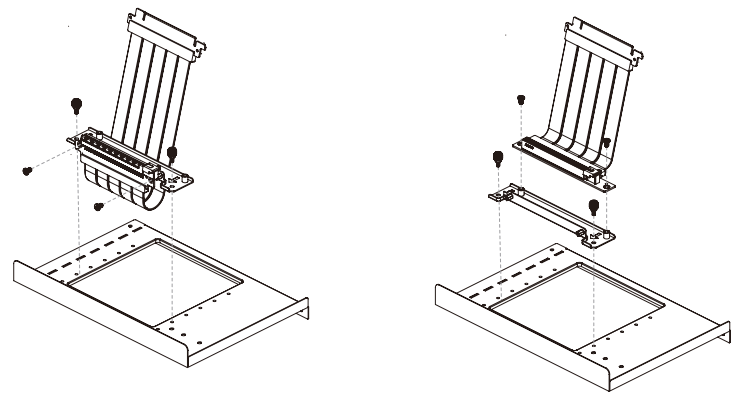
3



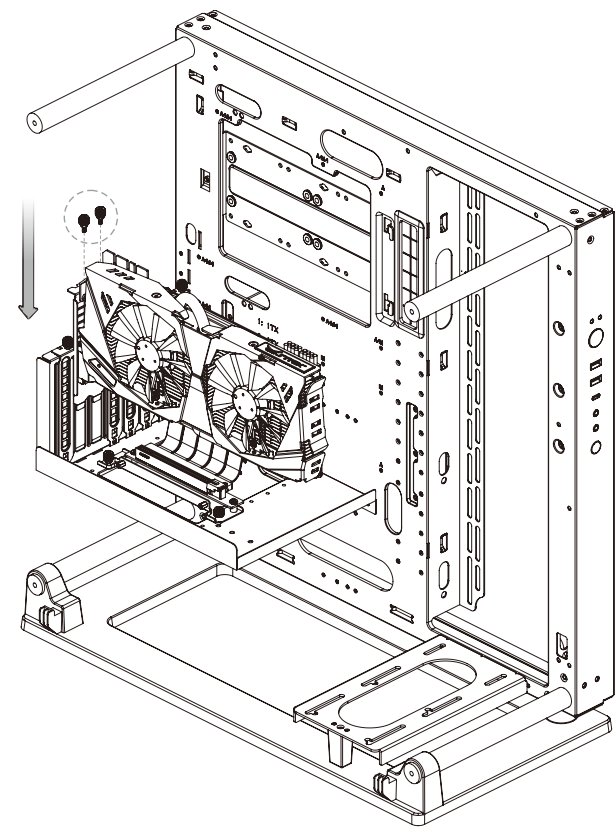
A: 180 degree adapter

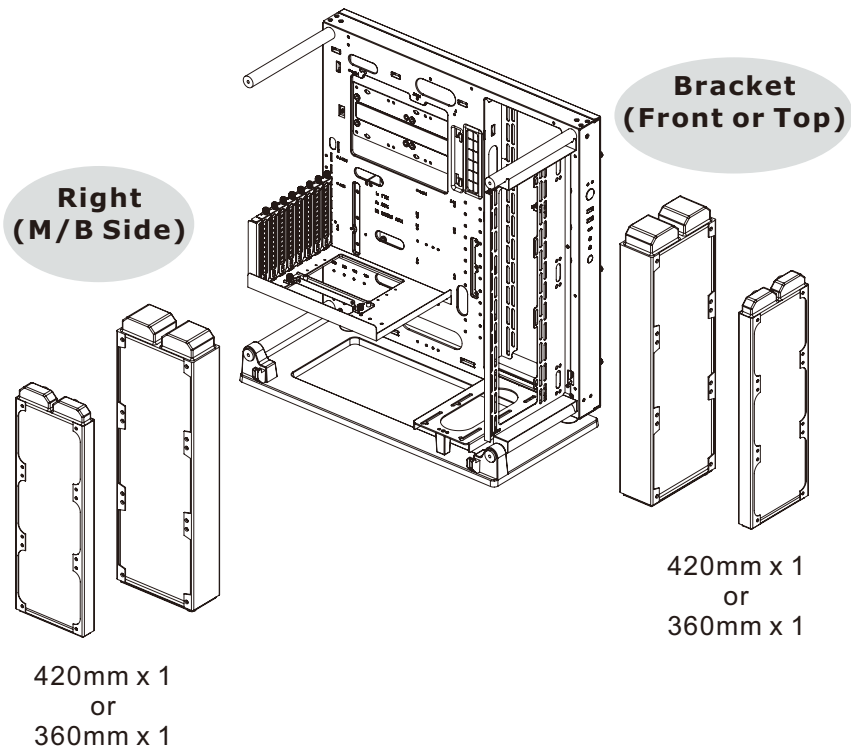
B: 90 degree adapter

\* Riser cable is not included.

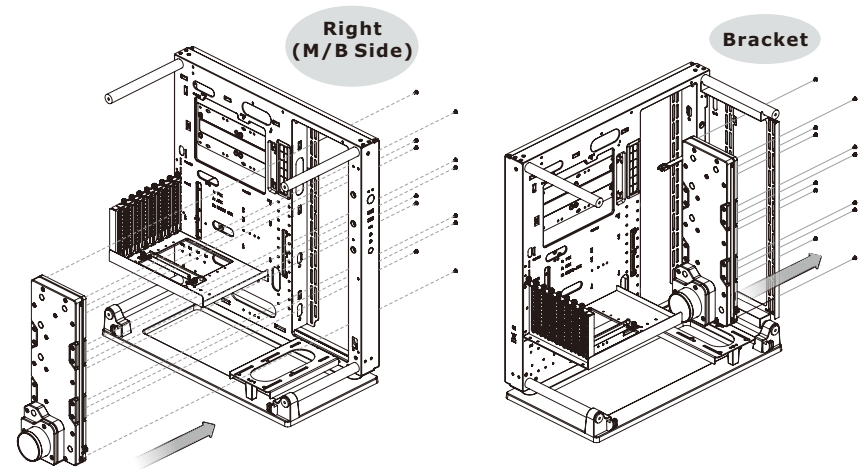


4

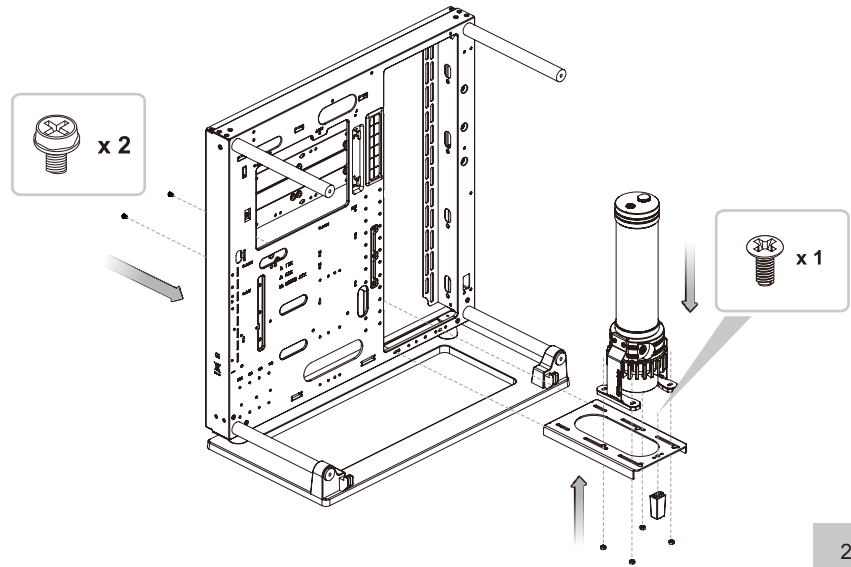




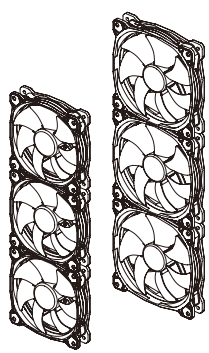
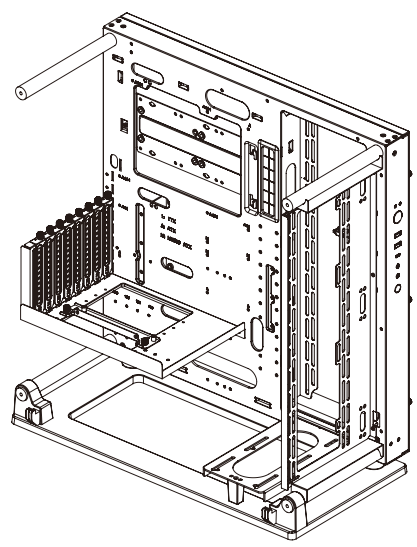
Pacific DP100-D5 Plus Distro-Plate



Pacific PR22-D5 Plus

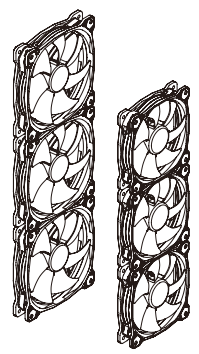


Right (M/B Side)



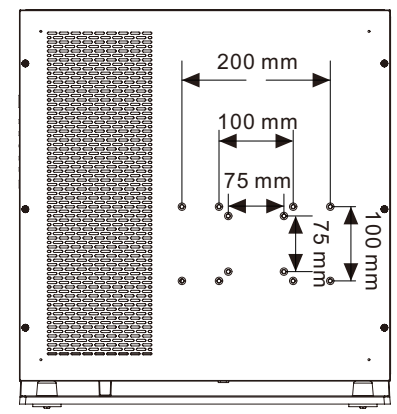
140mm x 3  
or  
120mm x 3

Bracket (Front or Top)

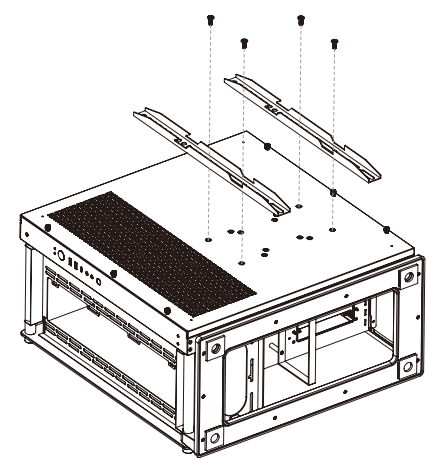


140mm x 3  
or  
120mm x 3

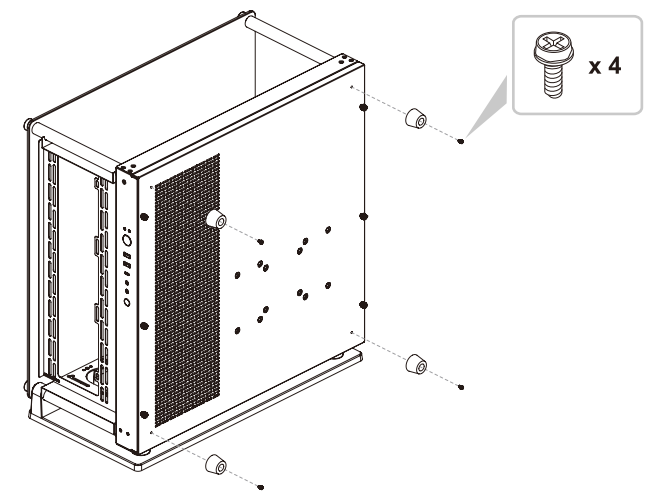
VESA Mount



Screws Hole : M6 x 1 pitch (Bracket is not included)



Chassis Installation - Horizontal





Ovaj dokument je originalno proizveden i objavljen od strane proizvođača, brenda Thermaltake, i preuzet je sa njihove zvanične stranice. S obzirom na ovu činjenicu, Tehnoteka ističe da ne preuzima odgovornost za tačnost, celovitost ili pouzdanost informacija, podataka, mišljenja, saveta ili izjava sadržanih u ovom dokumentu.

Napominjemo da Tehnoteka nema ovlašćenje da izvrši bilo kakve izmene ili dopune na ovom dokumentu, stoga nismo odgovorni za eventualne greške, propuste ili netačnosti koje se mogu naći unutar njega. Tehnoteka ne odgovara za štetu nanесenu korisnicima pri upotrebi netačnih podataka. Ukoliko imate dodatna pitanja o proizvodu, ljubazno vas molimo da kontaktirate direktno proizvođača kako biste dobili sve detaljne informacije.

Za najnovije informacije o ceni, dostupnim akcijama i tehničkim karakteristikama proizvoda koji se pominje u ovom dokumentu, molimo posetite našu stranicu klikom na sledeći link:

<https://tehnoteka.rs/p/thermaltake-kuciste-core-p3-tg-pro-crno-akcija-cena/>