

Uputstvo za upotrebu (EN)

SENCOR mlin za kafu SCG 3550SS

SENCOR



Tehnoteka je online destinacija za upoređivanje cena i karakteristika bele tehnike, potrošačke elektronike i IT uređaja kod trgovinskih lanaca i internet prodavnica u Srbiji. Naša stranica vam omogućava da istražite najnovije informacije, detaljne karakteristike i konkurentne cene proizvoda.

Posetite nas i uživajte u ekskluzivnom iskustvu pametne kupovine klikom na link:

<https://tehnoteka.rs/p/sencor-mlin-za-kafu-scg-3550ss-akcija-cena/>



EN ■ Electric grinder

Translation of the original manual

READ CAREFULLY AND STORE FOR FUTURE USE.

- This appliance may not be used by children. Keep the appliance and its power cord away from children.
- The appliance may be used by persons with reduced physical, sensory or mental capabilities or with a lack of experience and knowledge, if they are supervised or have been instructed to use the appliance in a safe manner and understand the potential dangers.
- Children must not play with the appliance.
- In the event that the power cord is damaged, have it repaired at a professional service centre to prevent causing a dangerous situation. It is forbidden to use the appliance if it has a damaged power cord.

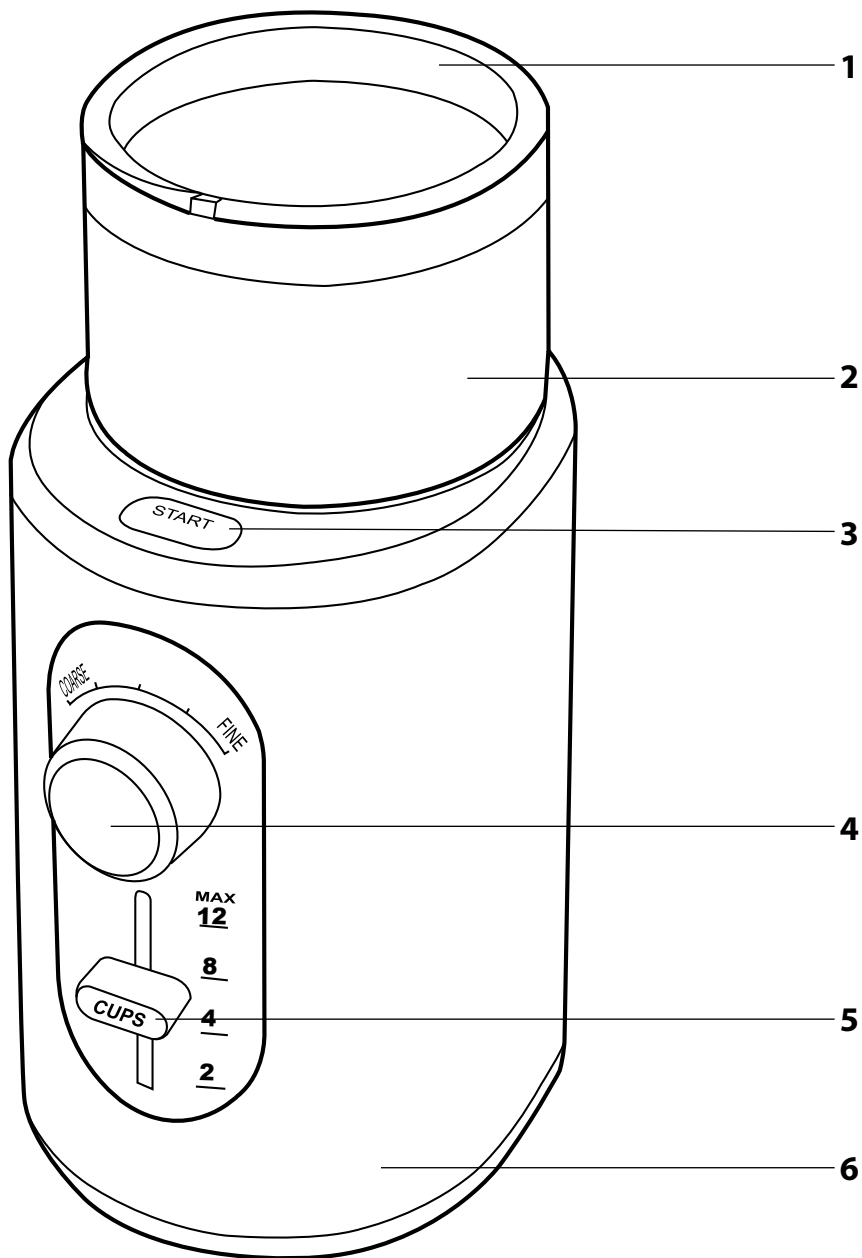
**Attention:**

Incorrect use may lead to injuries.

- Pay increased attention when handling and cleaning the removable bowl. The edges of the blades are very sharp and may cause serious injuries.
- Always disconnect the appliance from the power supply when leaving it without supervision and before assembly, disassembly or cleaning.
- Before emptying out the bowl, always make sure that the appliance is turned off and disconnected from the power socket.

- This appliance is designed for household use only. It is not intended for use in locations such as:
 - staff kitchens in stores, offices and other workplaces;
 - hotel or motel rooms and other living areas;
 - agricultural farms;
 - bed and breakfast establishments.
- Keep packaging material (plastic bags, polystyrene moulded pieces, etc.) out of children's reach.
- Wash the removable bowl and lid in warm water with a small amount of neutral detergent. Rinse with clean water and wipe thoroughly until dry. Follow the instructions in chapter Cleaning and maintenance.
- The appliance is designed for grinding coffee beans and dry spices. Do not use it for other purposes.
- Do not use the appliance for commercial purposes, in industrial surroundings or outdoors. Do not place the appliance on an electric or gas stove, on the edge of a table, window sill, kitchen sink drainboard or on unstable surfaces. Only place it on an even, dry and stable surface.
- Before connecting the appliance to a power socket, check that the rated voltage on its rating label matches the electrical voltage in the power socket. In the event of any doubts regarding the voltage in your power socket or the replacement of your power socket, please contact your electrician.
- Do not overfill the removable bowl or fill it with ground or instant coffee, caramelised or otherwise specially modified coffee grains, cocoa beans, ground spices or other ingredients or items. Otherwise, this could damage the appliance.
- Do not use this appliance for crushing ice, nuts or other ingredients.
- Make sure that the appliance is properly assembled before putting it into operation.
- Prior to filling up the removable bowl, ensure that there are no foreign objects inside.
- Make sure that during its operation, no parts of clothing, hair, kitchen utensils or other items enter the removable bowl. The bowl must always be properly closed.
- Do not handle or shake the appliance in any way while it is in operation.
- Do not use the appliance in continuous operation for longer than 60 seconds. Before using it again, allow it to cool down for at least 10 minutes. Otherwise, there is a risk of overheating and subsequent damage.
- The appliance is equipped with overheating protection. In the event that the motor overheats, the operation of the appliance will stop. If this happens, disconnect the power plug from the power socket and allow the appliance to cool down.
- Do not touch the appliance with wet hands.
- Keep the appliance clean. When cleaning it, follow the instructions in chapter Cleaning and maintenance.
- Keep the appliance away from flammable, explosive or chemical substances. Do not use it in a humid environment.
- Do not place any items on the top part of the appliance.
- To prevent the risk of injury by electrical shock, do not submerge the appliance, power cord or power plug in water or any another liquid.
- Do not place heavy items on the power cord. Make sure that the power cord does not hang over the edge of a table or that it is not touching a hot surface, and that its plug does not come into contact with water or moisture.
- Disconnect the appliance from the power socket by pulling on the plug, never pulling on the power cord. Otherwise, this could damage the power cord or the socket.
- The power socket should remain freely accessible in the case of a sudden disconnection of the power cord.
- It is forbidden to use the appliance if it has a damaged power cord.
- Do not use the appliance when it is not functioning properly or showing signs of damage.
- In order to prevent a hazardous situation arising, do not repair the appliance yourself or modify it in any way. Have all repairs performed at an authorised service centre. By tampering with the appliance, you risk voiding your legal rights arising from unsatisfactory performance or quality warranty.

A



Electric grinder

User's manual

- Prior to using this appliance, please read the user's manual thoroughly, even in cases, when one has already familiarised themselves with previous use of similar types of appliances. Only use the appliance in the manner described in this user's manual. Keep this user's manual in a safe place where it can be easily retrieved for future use.
- We recommend saving the original cardboard box, packaging material, purchase receipt and responsibility statement of the vendor or warranty card for at least the duration of the legal liability for unsatisfactory performance or quality. In the event of transportation, we recommend that you pack the appliance in the original box from the manufacturer.

DESCRIPTION OF THE APPLIANCE

- A1** Lid
- A2** Removable bowl with a built-in chopping blade
- A3** START button (On/Off)
- A4** Grind fineness knob
- A5** Coffee amount slider
- A6** Grinder base unit
- Power cord compartment (located at the rear of the base unit, not shown)
- Manual power cord winder (located on the underside of the base, not shown)

BEFORE FIRST USE

- Before first use, take the appliance and its accessories out of the packaging material and remove all promotional labels and stickers. Check that neither the appliance nor any of its parts is damaged.
- Place the grinder on an even, dry and clean surface. Turn the lid **A1** anticlockwise and pull the lid **A1** out upwards. Now turn the removable bowl **A2** anticlockwise and pull it out upwards.
- Wash the removable bowl **A2** and the lid **A1** in warm water with a small amount of neutral kitchen detergent. Then thoroughly rinse with clean water and wipe dry.
- Wipe the outer surface of the grinder with a lightly dampened sponge and then wipe it dry.



Attention:

Never wash the appliance under running water or submerge it in water or another liquid. Under no condition pour water or any other liquid into the removable bowl **A2** in order to clean it.

Assembling the grinder

1. Place the grinder on an even, dry and clean surface, and check that the power plug is disconnected from the power socket. Check that the removable bowl **A2** is empty.
2. Insert the bowl **A2** into the base unit **A6** so that the tabs on the underside of the bowl **A2** slide into the grooves in the upper part of the base unit **A6**. Then turn the bowl **A2** anticlockwise. Check that the bowl **A2** is firmly attached.
3. Now put the lid **A1** on to the bowl **A2** so that the tabs on the outer side of the lid **A1** slide into the grooves on the top edge of the base unit **A6**. Then turn the lid **A1** clockwise. Check that the lid **A1** is firmly attached.



Note:

To disassemble the grinder, proceed in the reverse sequence.



Note:

The grinder is equipped with a safety switch that prevents it from being started when the removable bowl **A2** is not correctly installed or when the lid **A1** is not correctly attached.



Attention:

The bowl **A2** has a maximum coffee bean level mark (approx. 60 g) and a maximum spice level mark (approx. 20 g). Never fill the bowl **A2** above these level marks. Never fill the removable bowl **A2** with ground or instant coffee, caramelised or otherwise specially modified coffee beans, cocoa beans or other items. Otherwise, this could damage the appliance.



Note:

When not using the coffee beans or spices, transfer the remaining contents to an air-tight container and store for later.

Grinding

1. In order to fill the bowl **A2** with the required amount of coffee beans or spices, remove the lid **A1** by turning it clockwise and pulling it upwards. Fill the bowl **A2** with coffee beans or ground spices and put on the lid **A1**. Check that the lid **A1** is correctly installed.
2. Use the slider **A5** to select the desired amount of ground coffee based on the number of coffee cups that you will be brewing. You can set the amount from 2 to 12 cups. With spices you can set the amount to 2 or 4.
3. Using the knob **A4**, set the required fineness of the ground coffee depending on the coffee brewing device.

Number of cups	Amount	Grind	Type of coffee brewing device
2 (min)	approx. 10 g	FINE	Espresso machine
4	approx. 20 g	MEDIUM	Drip / filtered coffeemaker
6	approx. 30 g	COARSE	Percolator
12 (max)	approx. 60 g		

4. Fully unwind the power cord and insert the power plug into a power socket.
5. Press the **START A3** button and the grinding process will start.
6. When the grinding process is complete, the grinder will turn off automatically.
7. The grinding process can be stopped at any time by pressing the **START A3** button.
8. When not using the grinder, disconnect the power plug from the power socket.



Note:

When the grinder is used continuously for 1 minute, it is important to allow it to cool down for approx. 10 minutes. Disconnect the power plug from the power socket while the grinder cools down. This is a safety recommendation that prevents potential damage to the grinder.



Note:

A manual power cord winder is located on the underside of the base **A6**. Turn the winder clockwise to wind up the power cord into the storage space inside the base **A6**. That may cause the power cord to jam in the base **A6** and the appliance can be damaged.

Recommendations for purchasing and storing coffee

- To shorten the storage time, purchase coffee beans in smaller packages.
- Use fresh roasted coffee beans with a marked roasting date and consume them within 3 weeks of the roasting date.
- Store coffee beans in a cool, dark and dry location, ideally in an air-tight container.
- We recommend to grind the coffee beans immediately before brewing the coffee beverage. Coffee that is ground in advance loses its flavour and aroma.

CLEANING AND MAINTENANCE

- Disconnect the power plug from the power socket and allow the grinder to cool down before cleaning it.
- For cleaning, do not use cleaning products with an abrasive effect, solvents, etc. that could damage the appliance. No part of this appliance is intended for washing in a dishwasher.



Warning:

To prevent the risk of injury by electrical shock, do not submerge the appliance, power cord or power plug in water or any another liquid.

- Turn the lid **A1** anticlockwise and pull the lid **A1** out upwards. Now turn the removable bowl **A2** anticlockwise and pull it out upwards.
- Wash the removable bowl **A2** and the lid **A1** in warm water with a small amount of neutral kitchen detergent. Then thoroughly rinse with clean water and wipe dry.
- Wipe the outer surface of the grinder with a lightly dampened sponge and then wipe it dry.



Attention:

Pay increased attention when handling and cleaning the removable bowl. The edges of the blades are very sharp and may cause serious injuries.

Storage

- When not using the appliance for an extended period of time, disconnect the power plug from the power socket, allow the appliance to cool down and clean it according to the instructions in chapter "Cleaning and maintenance".
- Before storing it, check that the appliance and all its accessories are thoroughly clean and dry.
- Store the appliance in a dry, clean and well-ventilated location not exposed to extreme temperatures and out of children's reach.

TECHNICAL SPECIFICATIONS

Rated voltage range.....	220 – 240 V~
Rated frequency.....	50 – 60 Hz
Rated power input	200 W
Noise level	80 dB(A)

The declared noise emission level of the appliance is 80 dB(A), which represents a level A of acoustic power with respect to a reference acoustic power of 1 pW.



Safety class for electrical shock protection:

Class II – Electrical shock protection is provided by double or heavy-duty insulation.

We reserve the right to change text and technical specifications.

INSTRUCTIONS AND INFORMATION REGARDING THE DISPOSAL OF USED PACKAGING MATERIALS

Dispose of used packaging material at a site designated for waste in your municipality.

DISPOSAL OF USED ELECTRICAL AND ELECTRONIC EQUIPMENT



This symbol on products or original documents means that used electric or electronic products must not be added to ordinary municipal waste. For proper disposal, renewal and recycling hand over these appliances to determined collection points. Alternatively, in some European Union states or other European countries you may return your appliances to the local retailer when buying an equivalent new appliance.

Correct disposal of this product helps save valuable natural resources and prevents potential negative effects on the environment and human health, which could result from improper waste disposal. Ask your local authorities or collection facility for more details.

In accordance with national regulations penalties may be imposed for the incorrect disposal of this type of waste.

For business entities in European Union states

If you want to dispose of electric or electronic appliances, ask your retailer or supplier for the necessary information.

Disposal in other countries outside the European Union.

This symbol is valid in the European Union. If you wish to dispose of this product, request the necessary information about the correct disposal method from the local council or from your retailer.



This product meets all the basic requirements of EU directives related to it.

Ovaj dokument je originalno proizveden i objavljen od strane proizvođača, brenda Sencor, i preuzet je sa njihove zvanične stranice. S obzirom na ovu činjenicu, Tehnoteka ističe da ne preuzima odgovornost za tačnost, celovitost ili pouzdanost informacija, podataka, mišljenja, saveta ili izjava sadržanih u ovom dokumentu.

Napominjemo da Tehnoteka nema ovlašćenje da izvrši bilo kakve izmene ili dopune na ovom dokumentu, stoga nismo odgovorni za eventualne greške, propuste ili netačnosti koje se mogu naći unutar njega. Tehnoteka ne odgovara za štetu nanесenu korisnicima pri upotrebi netačnih podataka. Ukoliko imate dodatna pitanja o proizvodu, ljubazno vas molimo da kontaktirate direktno proizvođača kako biste dobili sve detaljne informacije.

Za najnovije informacije o ceni, dostupnim akcijama i tehničkim karakteristikama proizvoda koji se pominje u ovom dokumentu, molimo posetite našu stranicu klikom na sledeći link:

<https://tehnoteka.rs/p/sencor-mlin-za-kafu-scg-3550ss-akcija-cena/>