

Uputstvo za upotrebu (EN)

NZXT kućište H510i CA-H510i-B1 crno

NZXT



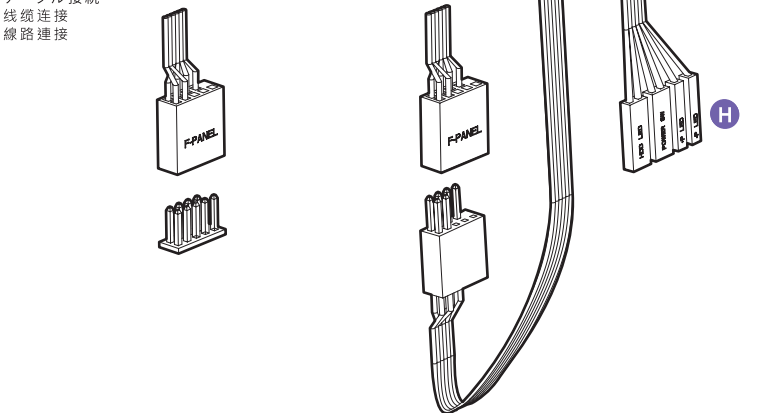
Tehnoteka je online destinacija za upoređivanje cena i karakteristika bele tehnike, potrošačke elektronike i IT uređaja kod trgovinskih lanaca i internet prodavnica u Srbiji. Naša stranica vam omogućava da istražite najnovije informacije, detaljne karakteristike i konkurentne cene proizvoda.

Posetite nas i uživajte u ekskluzivnom iskustvu pametne kupovine klikom na link:

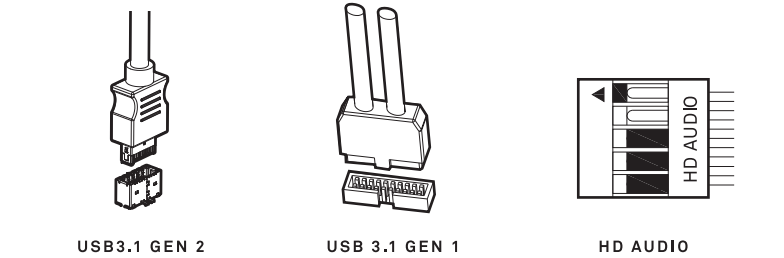
<https://tehnoteka.rs/p/nzxt-kuciste-h510i-ca-h510i-b1-crno-akcija-cena/>

CABLE CONNECTIONS

DISCO DE ADMINISTRACIÓN DE CABLES
CONNEXION DES CABLES
KABELVERBINDUNGEN
COLLEGAMENTI DEI CAVI
LIGAÇÕES DE CABOS
ПОДКЛЮЧЕНИЕ КАБЕЛЕЙ
케이블 연결
ケーブル接続
線路连接
線路连接



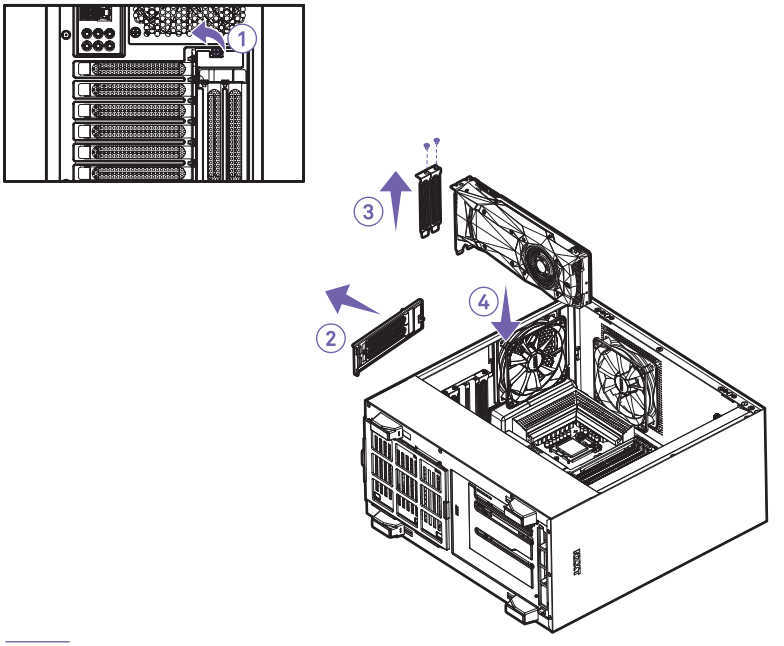
FOR INTEL STANDARD F_PANEL HEADER USE FOR NON-INTEL STANDARD F_PANEL HEADER USE



EXPANSION CARD INSTALLATION

INSTALACIÓN DE LA TARJETA DE EXPANSIÓN
INSTALLATION DE LA CARTE D'EXTENSION
INSTALLATION DER ERWEITERUNGSKARTE
INSTALLAZIONE DELLA SCHEDA D'ESPANSIONE
INSTALAÇÃO DA PLACA DE EXPANSÃO
УСТАНОВКА ПЛАТЫ РАСШИРЕНИЯ
케이블 연결
拡張カードの装着
扩展卡安装
擴充卡安裝

UNSCREW THE THUMB SCREW

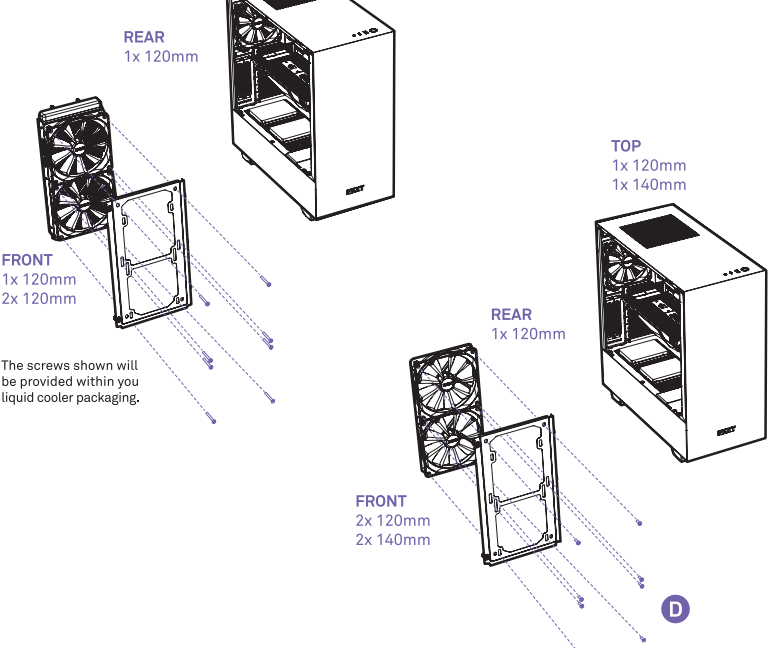


HORIZONTAL GPU MOUNT

FAN AND RADIATOR SUPPORT

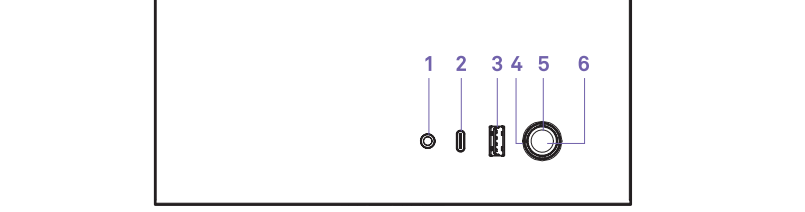
COMPATIBILIDAD DE VENTILADORES Y RADIADORES
PRISE EN CHARGE DES RADIATEURS ET VENTILATEURS
LÜFTER- UND KÜHLER-UNTERSTÜTZUNG
SUPPORTO VENTOLE E RADIATORE
SOPORTE PARA VENTONHA E A RADIADOR
СОВМЕСТИМОСТЬ РАДИАТОР И ВЕНТИЛЯТОР
팬 및 라디에이터 지원
対応ファンおよびラジエータ
風扇和散热器支持
風扇和散热器支援

RADIATOR MODE FAN MODE



BUTTONS AND I/O

BOTONES Y E/S
BOUTONS ET E/S
TASTEN UND E/A
PULSANTI E I/O
BOTÕES E E/S
КНОПКИ И РАЗЪЕМЫ ВВОДА/ВЫВОДА
버튼 및 I/O
ボタンおよび I/O
按钮和 I/O
按钮和 I/O



1. HD Audio Output	1. Salida audio HD	1. 高音音源輸出
2. USB 3.1 Gen2 Type-C	2. USB 3.1 Gen2 Type-C	2. USB 3.1 Gen2 Type-C
3. USB 3.1 Gen1 Type-A	3. USB 3.1 Gen1 Type-A	3. USB 3.1 Gen1 Type-A
4. HDD LED	4. LED HDD	4. HDD LED
5. Power LED	5. LED alimentazione	5. 電源LED
6. Power switch	6. Interruttore d'alimentazione	6. 電源スイッチ

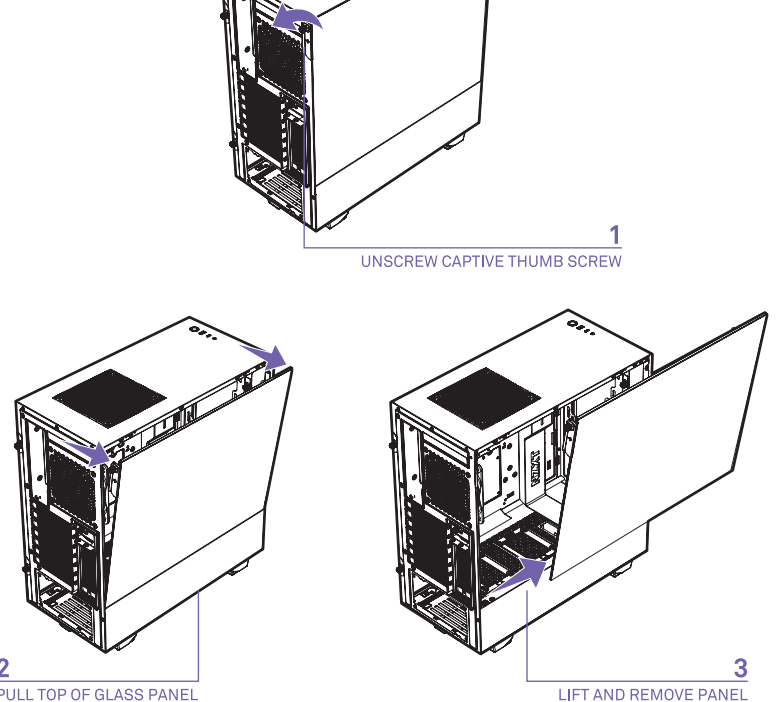
1. Salida de audio HD	1. Звукова вихова HD	1. 高音音源輸出
2. USB 3.1 Gen2 Type-C	2. USB 3.1 Gen2 Type-C	2. USB 3.1 Gen2 Type-C
3. USB 3.1 Gen1 Type-A	3. USB 3.1 Gen1 Type-A	3. USB 3.1 Gen1 Type-A
4. LED de unidad de disco duro	4. Indicador de estado de la unidad de disco duro	4. HDD LED
5. LED de alimentación	5. Interruptor de encendido	5. 電源LED
6. Power switch	6. Interruptor de alimentación	6. 電源开关

1. Sortie audio HD <th>1. Звукова вихова HD</th> <th>1. 高音音源輸出</th>	1. Звукова вихова HD	1. 高音音源輸出
2. USB 3.1 Gen2 Type-C	2. USB 3.1 Gen2 Type-C	2. USB 3.1 Gen2 Type-C
3. USB 3.1 Gen1 Type-A	3. USB 3.1 Gen1 Type-A	3. USB 3.1 Gen1 Type-A
4. LED de unidad de disco duro	4. Indicador de estado de la unidad de disco duro	4. HDD LED
5. LED de alimentación	5. Interruptor de encendido	5. 電源LED
6. Power switch	6. Interruptor de alimentación	6. 電源开关

1. HD-Audioausgang	1. HD 오디오 출력	1. 高音音源輸出
2. USB 3.1 Gen2 Type-C	2. USB 3.1 Gen2 Type-C	2. USB 3.1 Gen2 Type-C
3. USB 3.1 Gen1 Type-A	3. USB 3.1 Gen1 Type-A	3. USB 3.1 Gen1 Type-A
4. Festplatten-LED	4. HDD LED	4. HDD LED
5. Netzein-/Aus	5. Netzschalter	5. 電源LED
6. Netzschalter	6. Netzschalter	6. 전원 스위치

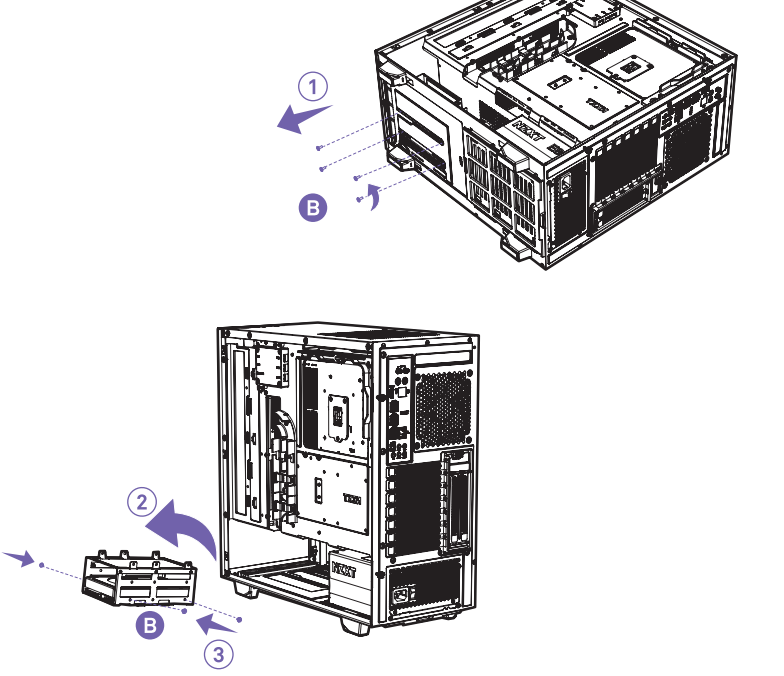
PANEL REMOVAL

EXTRACCIÓN DE PANEL
RETRAIT DU PANNEAU
BLLENDE ENTFERNEN
RIMOZIONE DEL PANNELLO
REMOÇÃO DOS PAINÉIS
СНЯТИЕ ПАНЕЛИ
面板 拆卸
パネルの取り外し
卸下面板
移除面板



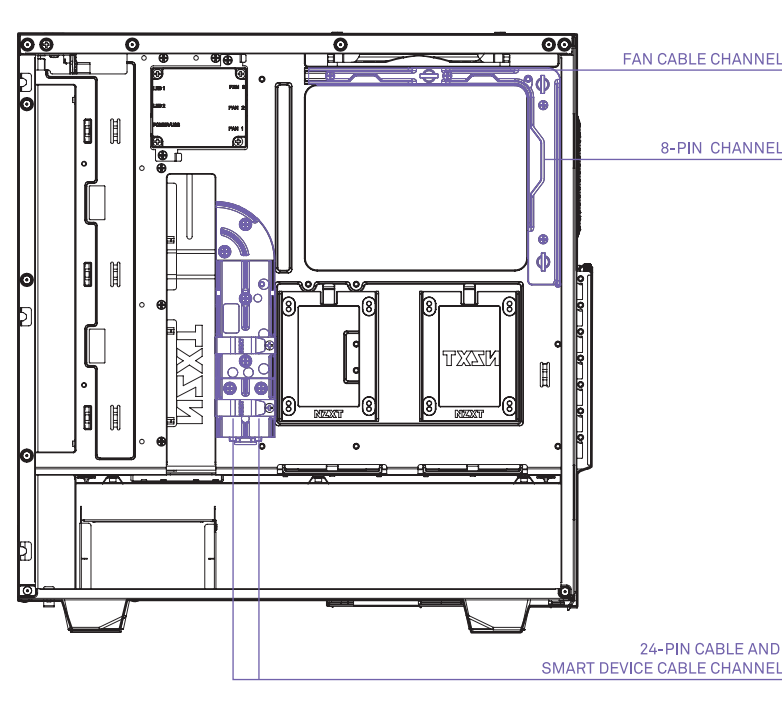
HDD DRIVE INSTALLATION

INSTALACIÓN DE LA UNIDAD DE DISCO DURO
INSTALLATION DE LECTEUR HDD
HDD-LAUFWERKSINSTALLATION
INSTALLAZIONE DELL'UNITÀ HDD
INSTALAÇÃO DA PLACA DE EXPANSÃO
УСТАНОВКА ЖЕСТКОГО ДИСКА
HDD 드라이브 설치
HDD 裝着
HDD 驱动器安装
硬碟安裝



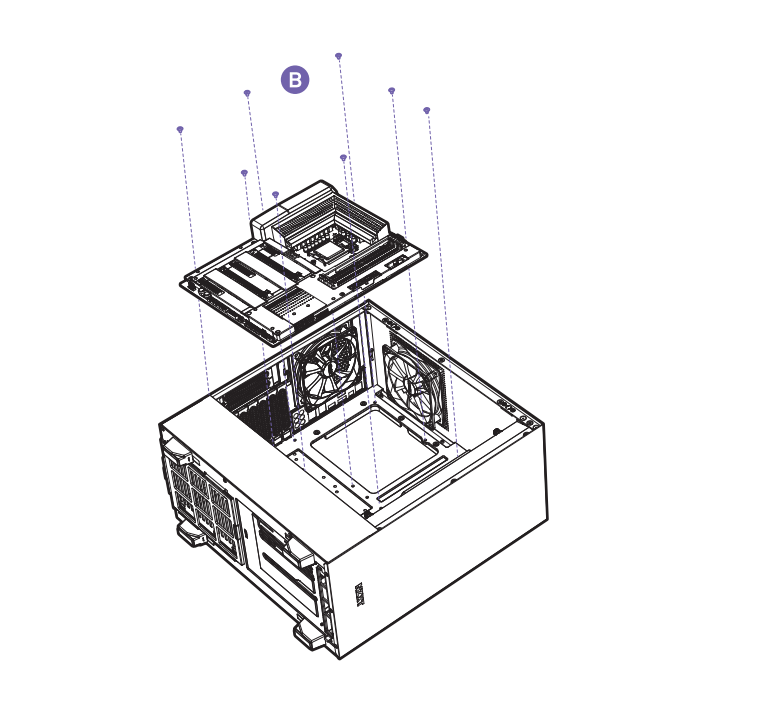
CABLE MANAGEMENT SYSTEM

SISTEMA DE GESTIÓN DE CABLES
SYSTÈME DE CÂBLAGE
KABELMANAGEMENTSYSTEM
SISTEMA DI GESTIONE DEI CAVI
SISTEMA DE GERENCIAMENTO DE CABOS
СИСТЕМА ПРОКЛАДКИ КАБЕЛЕЙ
케이블 관리 시스템
ケーブルマネジメントシステム
理線管理系統
配線管理系統



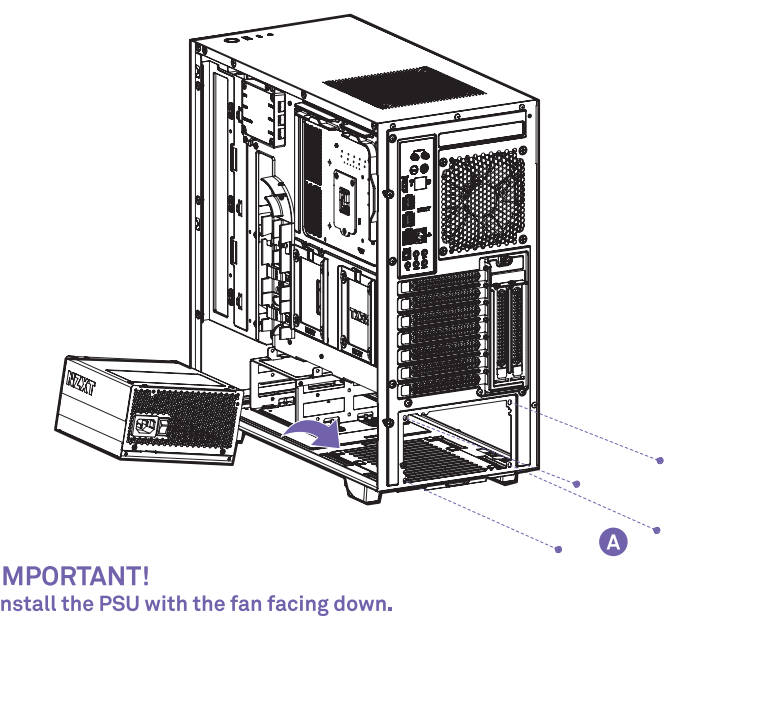
MOTHERBOARD INSTALLATION

INSTALACIÓN DE LA PLACA BASE
INSTALLATION DE LA CARTE MÈRE
INSTALLATION DER HAUPTPLATINE
INSTALLAZIONE DELLA SCHEDE MADRE
INSTALAÇÃO DA PLACA PRINCIPAL
УСТАНОВКА СИСТЕМНОЙ ПЛАТЫ
메모리드 설치
마ザーボード의装着
主板安裝
主機板安裝



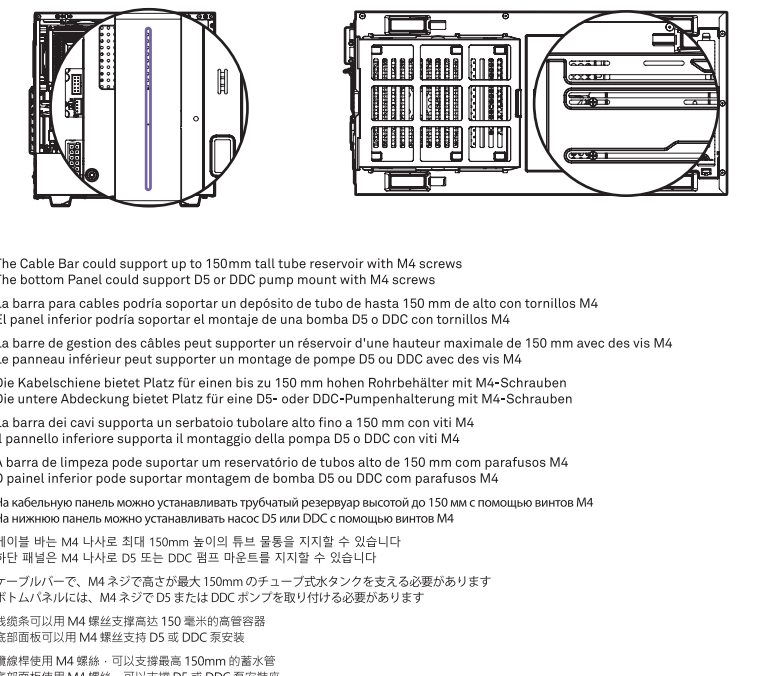
POWER SUPPLY INSTALLATION

INSTALACIÓN DE LA FUENTE DE ALIMENTACIÓN
INSTALLATION DE L'ALIMENTATION
INSTALLATION DER STROMVERSORGUNG
INSTALLAZIONE DELL'ALIMENTATORE
INSTALAÇÃO DA FONTE DE ALIMENTAÇÃO
УСТАНОВКА ИСТОЧНИКА ПИТАНИЯ
전원 공급 장치 설치
電源の装着
電源安裝
電源安裝



DIY LIQUID COOLER SUPPORT

HAZLO TÚ MISMO: SOPORTE PARA REFRIGERADOR LÍQUIDO
FAIT-LE VOUS-MÊME: SOUTIÈRE POUR RÉFROIDISSEMENT LIQUIDE
WASSERKÜHLUNG MARKE EIGENBAU
SUPPORTO PER DISSIPATORE A LIQUIDO FAI-DA-TE
SOPORTE A REFRIGERADOR LÍQUIDO DIY
ПОДДЕРЖКА САМОСТОЯТЕЛЬНОЙ СБОРКИ ЖИДКОСТНОЙ СИСТЕМЫ ОХЛАЖДЕНИЯ
DIY 수냉식 쿨러 지원
水冷クーラー支持のDIY
液体冷却器支持
DIY 水冷支援



UNSCREW THE THUMB SCREW

UNSCREW THE THUMB SCREW

产品名稱：机箱・H系列						
有害物质						
部件名称	铅 (Pb)	汞 (Hg)	镉 (Cd)	六价铬 (Cr ⁶⁺)	多溴联苯 (PBB)	多溴二苯醚 (PBDE)
PCBA及板卡元件	○	○	○	○	○	○
连接器	○	○	○	○	○	○
线材	○	○	○	○	○	○
金属结构件	○	○	○	○	○	○
塑料结构件	○	○	○	○	○	○
风扇	○	○	○	○	○	○
线材	○	○	○	○	○	○
包装材料	○	○	○	○	○	○
纸质及印刷品	○	○	○	○	○	○

产品名稱：机箱・H系列						
有害物质						
部件名称	铅 (Pb)	汞 (Hg)	镉 (Cd)	六价铬 (Cr ⁶⁺)	多溴联苯 (PBB)	多溴二苯醚 (PBDE)
PCBA及板卡元件	○	○	○	○	○	○
连接器	○	○	○	○	○	○
线材	○	○	○	○	○	○
金属结构件	○	○	○	○	○	○
塑料结构件	○	○	○	○	○	○
风扇	○	○	○	○	○	○
线材	○	○	○	○	○	○
包装材料	○	○	○	○	○	○
纸质及印刷品	○	○	○	○	○	○

REGULATIONS

FC CE RoHS

This personal computer case with the smart device is tested to comply with FCC standard, Australian standard and EMC Directive (2014/53/EU).
This Class B Personal Computer case with smart device complies with Canadian ICES-003 (2014/53/EU).
This Class B Personal Computer case with smart device complies with Canadian ICES-003.
Cet ordinateur personnel de classe B avec dispositif intelligent est conforme à la norme NMB-003 du Canada.

NZXT GLOBAL WARRANTY POLICY

产品名稱：机箱・H系列						
有害物质						
部件名称	铅 (Pb)	汞 (Hg)	镉 (Cd)	六价铬 (Cr ⁶⁺)	多溴联苯 (PBB)	多溴二苯醚 (PBDE)
PCBA及板卡元件	○	○	○	○	○	○
连接器	○	○	○	○	○	○
线材	○	○	○	○	○	○
金属结构件	○	○	○	○	○	○
塑料结构件	○	○	○	○	○	○
风扇	○	○	○	○	○	○
线材	○	○	○	○	○	○
包装材料	○	○	○	○	○	○
纸质及印刷品	○	○	○	○	○	○

本表格依据SJ/T 11364-01 的判定标准制定。
C:表示该有害物质在该部件所有原材料中的含量均在GB/T 26572规定的限量要求下。
X:表示该有害物质至少在该部件的某一均质材料中的含量超出GB/T 26572规定的限量要求。

产品名稱：机箱・H系列						
有害物质						
部件名称	铅 (Pb)	汞 (Hg)	镉 (Cd)	六价铬 (Cr ⁶⁺)	多溴联苯 (PBB)	多溴二苯醚 (PBDE)
PCBA及板卡元件	○	○	○	○	○	○
连接器	○	○	○	○	○	○
线材	○	○	○	○	○	○
金属结构件	○	○	○	○	○	○
塑料结构件	○	○	○	○	○	○
风扇	○	○	○	○	○	○
线材	○	○	○	○	○	○
包装材料	○	○	○	○	○	○
纸质及印刷品	○	○	○	○	○	○

本表格依据SJ/T 11364-01 的判定标准制定。
C:表示该有害物质在该部件所有原材料中的含量均在GB/T 26572规定的限量要求下。
X:表示该有害物质至少在该部件的某一均质材料中的含量超出GB/T 26572规定的限量要求。

IV. EXCLUSION OF DAMAGES (DISCLAIMER)
NZXT's sole obligation and liability under this warranty is limited to the repair or replacement of a defective product with either a new or refurbished product with a similar function that is equal or greater in value at our option. NZXT shall not, in any event, be liable for any incidental or consequential damage, including but not limited to damages resulting from interruption of service and loss of data, business, or for liability in tort relating to this product or resulting from its use or possession.

V. LIMITATIONS OF IMPLIED WARRANTIES
There are no other warranties, expressed or implied, including but not limited to those of merchantability or fitness for a particular purpose. The duration of implied warranties is limited to the warranty length specified in Paragraph 1.

VI. TO OBTAIN TECHNICAL SUPPORT
If you have already referenced your product owner's manual and still need help, you may contact us by phone at +1 (800) 228-9395, by email at service@nzxt.com, or visit the NZXT Support site at https://www.nzxt.com/customer-support.

VII. HOW TO OBTAIN A WARRANTY SERVICE FROM NZXT
To receive a warranty service for your product when purchased directly from NZXT, you must submit a request via the NZXT Support site outlining the problem. If a technician deems the product defective or requiring testing, you will be required to provide a copy of your proof of purchase, which will enable you to submit a Return Merchandise Authorization "RMA" request.

VIII. APPLICABLE LAW AND ADDITIONAL LEGAL RIGHTS FOR CONSUMERS
This warranty gives you specific legal rights. These conditions are governed and construed in accordance with the laws of California (with exception of its conflict of law provisions), and the application of the United Nations Convention of Contracts for the International Sale of Goods is expressly excluded. The non-exclusive jurisdiction of the courts of California is agreed, which means that you may bring a claim to enforce your consumer protection rights in connection with this Global Warranty in the country which you have your habitual residence where you may have additional rights. These rights may vary.

IX. WARRANTY SERVICE FROM RESSELLERS
In the event that a warranty service is sought, you must provide proof of purchase (store receipt or invoice) in order to receive the service and if deemed necessary, repair or replacement product.

X. NZXT.COM STORE RETURNS/EXCHANGE POLICY
Eligible products under this NZXT Warranty qualify for a full refund or exchange only with an authorized RMA number and if the item is returned to the NZXT.com Store inventory within 30 days of purchase. Returns are not allowed beyond 90 days of the purchase date. The NZXT.com Store reserves the right to deny any return or exchange. Refunds will be credited to the original method of payment. To initiate a return, simply submit a request via NZXT support site.

XI. SUPPORT AND SERVICE
If you have any questions or problems with the NZXT product you purchased, please don't hesitate to contact us using our support system: support.nzxt.com

XII. SUPPORT AND SERVICE
If you have any questions or problems with the NZXT product you purchased, please don't hesitate to contact us using our support system: support.nzxt.com

XIII. SUPPORT AND SERVICE
If you have any questions or problems with the NZXT product you purchased, please don't hesitate to contact us using our support system: support.nzxt.com

XIV. SUPPORT AND SERVICE
If you have any questions or problems with the NZXT product you purchased, please don't hesitate to contact us using our support system: support.nzxt.com

XV. SUPPORT AND SERVICE
If you have any questions or problems with the NZXT product you purchased, please don't hesitate to contact us using our support system: support.nzxt.com

XVI. SUPPORT AND SERVICE
If you have any questions or problems with the NZXT product you purchased, please don't hesitate to contact us using our support system: support.nzxt.com

XVII. SUPPORT AND SERVICE
If you have any questions or problems with the NZXT product you purchased, please don't hesitate to contact us using our support system: support.nzxt.com

XVIII. SUPPORT AND SERVICE
If you have any questions or problems with the NZXT product you purchased, please don't hesitate to contact us using our support system: support.nzxt.com

XIX. SUPPORT AND SERVICE
If you have any questions or problems with the NZXT product you purchased, please don't hesitate to contact us using our support system: support.nzxt.com

XX. SUPPORT AND SERVICE
If you have any questions or problems with the NZXT product you purchased, please don't hesitate to contact us using our support system: support.nzxt.com

XXI. SUPPORT AND SERVICE
If you have any questions or problems with the NZXT product you purchased, please don't hesitate to contact us using our support system: support.nzxt.com

XXII. SUPPORT AND SERVICE
If you have any questions or problems with the NZXT product you purchased, please don't hesitate to contact us using our support system: support.nzxt.com

XXIII. SUPPORT AND SERVICE
If you have any questions or problems with the NZXT product you purchased, please don't hesitate to contact us using our support system: support.nzxt.com

XXIV. SUPPORT AND SERVICE
If you have any questions or problems with the NZXT product you purchased, please don't hesitate to contact us using our support system: support.nzxt.com

XXV. SUPPORT AND SERVICE
If you have any questions or problems with the NZXT product you purchased, please don't hesitate to contact us using our support system: support.nzxt.com

XXVI. SUPPORT AND SERVICE
If you have any questions or problems with the NZXT product you purchased, please don't hesitate to contact us using our support system: support.nzxt.com

XXVII. SUPPORT AND SERVICE
If you have any questions or problems with the NZXT product you purchased, please don't hesitate to contact us using our support system: support.nzxt.com

Ovaj dokument je originalno proizveden i objavljen od strane proizvođača, brenda NZXT, i preuzet je sa njihove zvanične stranice. S obzirom na ovu činjenicu, Tehnoteka ističe da ne preuzima odgovornost za tačnost, celovitost ili pouzdanost informacija, podataka, mišljenja, saveta ili izjava sadržanih u ovom dokumentu.

Napominjemo da Tehnoteka nema ovlašćenje da izvrši bilo kakve izmene ili dopune na ovom dokumentu, stoga nismo odgovorni za eventualne greške, propuste ili netačnosti koje se mogu naći unutar njega. Tehnoteka ne odgovara za štetu nanесenu korisnicima pri upotrebi netačnih podataka. Ukoliko imate dodatna pitanja o proizvodu, ljubazno vas molimo da kontaktirate direktno proizvođača kako biste dobili sve detaljne informacije.

Za najnovije informacije o ceni, dostupnim akcijama i tehničkim karakteristikama proizvoda koji se pominje u ovom dokumentu, molimo posetite našu stranicu klikom na sledeći link:

<https://tehnoteka.rs/p/nzxt-kuciste-h510i-ca-h510i-b1-crno-akcija-cena/>