

Uputstvo za upotrebu (EN)

NZXT kućište H5 Flow RGB CC-H51FW-R1 belo

NZXT

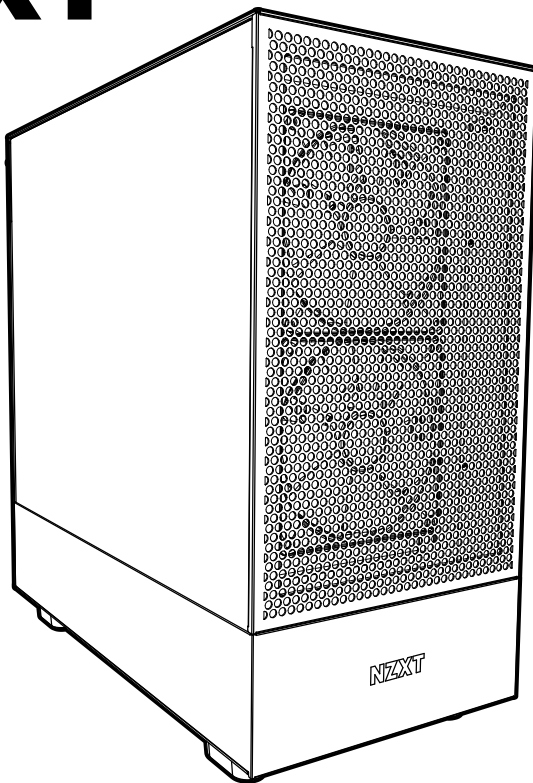


Tehnoteka je online destinacija za upoređivanje cena i karakteristika bele tehnike, potrošačke elektronike i IT uređaja kod trgovinskih lanaca i internet prodavnica u Srbiji. Naša stranica vam omogućava da istražite najnovije informacije, detaljne karakteristike i konkurentne cene proizvoda.

Posetite nas i uživajte u ekskluzivnom iskustvu pametne kupovine klikom na link:

<https://tehnoteka.rs/p/nzxt-kuciste-h5-flow-rgb-cc-h51fw-r1-belo-akcija-cena/>

NZXT



H5 FLOW RGB

COMPACT AIRFLOW MID-TOWER WITH RGB FANS

TABLE OF CONTENTS

VERSION 1.0, 2022/12/20

EXPLODED VIEW 01

CLEARANCES AND SPECIFICATIONS 03

ACCESSORY BOX 06

CABLE CONNECTIONS 09

BUTTONS AND I/O 10

CABLE MANAGEMENT SYSTEM 11

PANEL REMOVAL 12

CABLE BAR REMOVAL 14

MOTHERBOARD INSTALLATION 15

STORAGE INSTALLATION 16

EXPANSION CARD INSTALLATION 17

POWER SUPPLY INSTALLATION 18

FAN AND RADIATOR SUPPORT 19

FAN & RADIATOR INSTALLATION 20

BOTTOM FAN REMOVAL 21

POWERING THE LEDS 23

限用物质及元素列表/限用物質及元素清單 24

NZXT GLOBAL WARRANTY POLICY 25

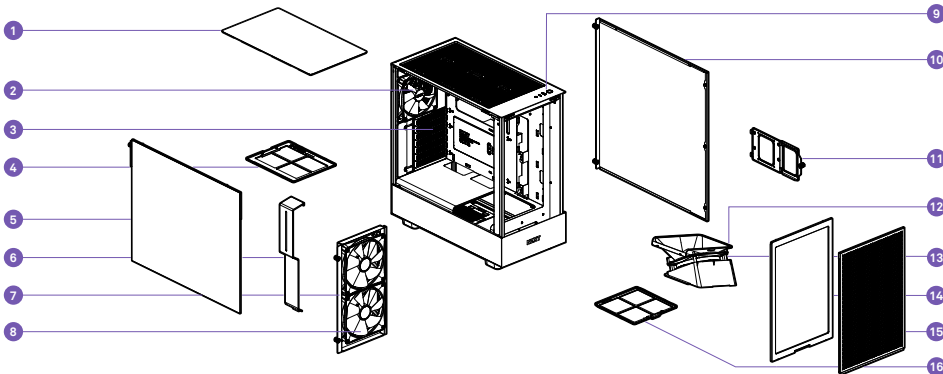
REGULATORY STATEMENT 28

SUPPORT AND SERVICE 31

EXPLODED VIEW

VISTA EXPLOSIONADA
VUE ÉCLATÉE
EXPLOSIONSDARSTELLUNG
VEDUTA IN ESPLODO
VISTA EXPLODIDA

exploded view
 exploded view
 exploded view
 exploded view



1. Top Filter
2. Rear Exhaust Fan
3. PCI Insert
4. PSU Dust Filter
5. Tempered Glass Panel
6. Cable Bar
7. Front Cooler Bracket
8. Front Intake Fans
9. Front I/O Module
10. Right Side Panel
11. Hard Drive Tray
12. Fan Air Duct
13. Bottom Air Intake Fan
14. Front Filter
15. Front Mesh Panel
16. Bottom Fan Filter

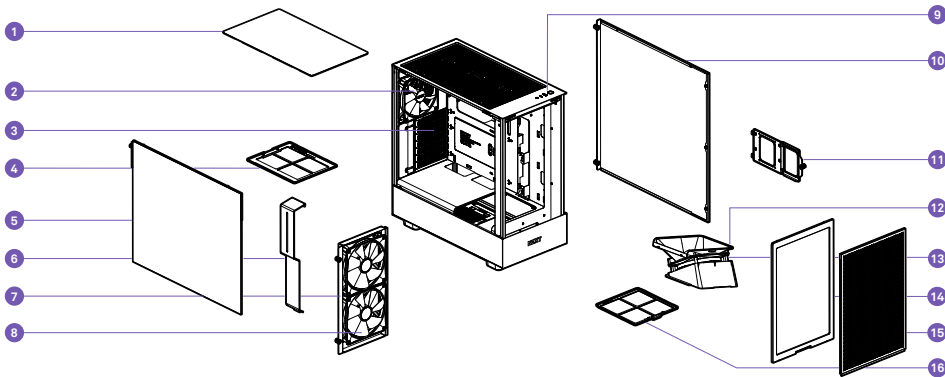
1. Filtro superior
2. Ventilador de escape trasero
3. Inserción PCI
4. Filtro de polvo de la PSU
5. Panel de cristal templado
6. Barra de limpieza
7. Soporte del refrigerador frontal
8. Ventilador de entrada frontal
9. Módulo de E/S frontal
10. Panel lateral derecho
11. Bandeja del disco duro
12. Conducto de aire del ventilador
13. Filtro del ventilador inferior
14. Filtro frontal
15. Panel de malha frontal
16. Ventilador de entrada de aire inferior

1. Filtre supérieur
2. Ventilateur d'échappement arrière
3. Insertion de PCI
4. Filtre à poussière du bloc d'alimentation
5. Panneau gauche en verre trempé
6. Barre de balayage pour nettoyage
7. Support du dissipateur avant
8. Ventilateur d'admission avant
9. Module avant E/S
10. Panneau latéral droit
11. Plateau du disque dur
12. Conduite d'air du ventilateur
13. Ventilateur de l'admission d'air inférieure
14. Filtre avant
15. Panneau avant en filet
16. Filtre du ventilateur inférieur

1. Oberer Filter
2. Lüfter für Luftauslass an Rückseite
3. PCI-Einsatz
4. Netzteil-Staubfilter
5. Linke Hartglasblende
6. Reinigungsleiste
7. Kühlerhalterung an Vorderseite
8. Lüfter für Lufteinlass an Vorderseite
9. E/A-K-Modul an der Vorderseite
10. Rechte Blende
11. Festplatten-Einschub
12. Lüfterluftkanal
13. Unterer Lufteinlasslüfter
14. Frontfilter
15. Mesh-Einsatz vorne
16. Filter des unteren Lüfters

1. Filtro superiore
2. Ventola di scarico posteriore
3. Coperchillo slot PCI
4. Filtro polvere alimentatore
5. Pannello laterale sinistro di vetro temperato
6. Barra di gestione dei cavi
7. Staffa raffreddamento anteriore
8. Ventola di ingresso frontali
9. Modulo I/O anteriore
10. Pannello laterale destro
11. Vassoio per disco fisso
12. Condotto aria ventola
13. Ventola inferiore per presa d'aria
14. Filtro frontale
15. Pannello frontale in rete
16. Filtro ventola inferiore

1. Filtro do topo
2. Ventoinha de exaustão traseira
3. Ranhura PCI
4. Filtro de pó do PSU
5. Painel esquerdo em vidro temperado
6. Barra de limpeza
7. Suporte da ventoinha frontal
8. Frente e entrada das ventoinha
9. Módulo E/S frontal
10. Painel lateral direito
11. Bandeja do disco rígido
12. Conduite de ar da ventoinha
13. Ventoinha com entrada de ar inferior
14. Filtro frontal
15. Painel de malha frontal
16. Filtro inferior da ventoinha



1. 상단 필터
2. 후면 배기팬
3. PCI 슬롯 가버
4. PSU 먼지 필터
5. 좌측 장협 유리 패널
6. 케이블 정리 바
7. 전면 출력 브래킷
8. 전면 출기팬
9. 전면 I/O 모듈
10. 우측 서이드 패널
11. 하드 드라이브 트레이
12. 팬 에어 덕트
13. 하단 출기팬
14. 전면 필터
15. 전면 유리 패널
16. 하단 판 필터

1. トップフィルター
2. リア排出ファン
3. PCI インサート
4. PSU ダストフィルター
5. 左側強化ガラスパネル
6. ケーブル保持具
7. フロントクーラーブacket
8. フロント吸入ファン
9. フロント I/O モジュール
10. 右サイドパネル
11. ハードドライブトレイ
12. ファンエアダクト
13. ボトムエアインテークファン
14. フロントフィルター
15. フロントメッシュパネル
16. ボトムファンフィルター

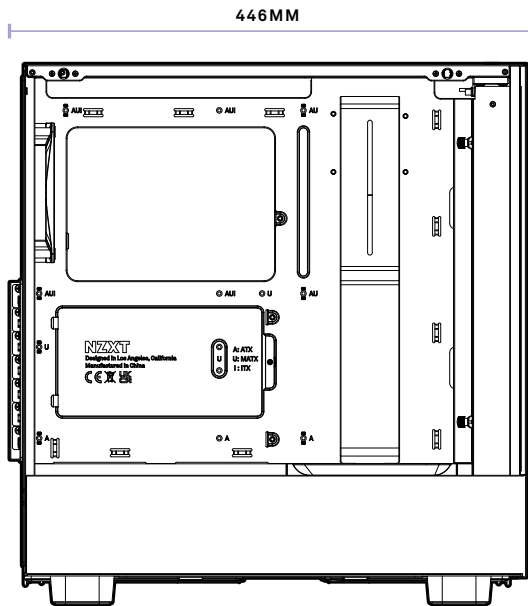
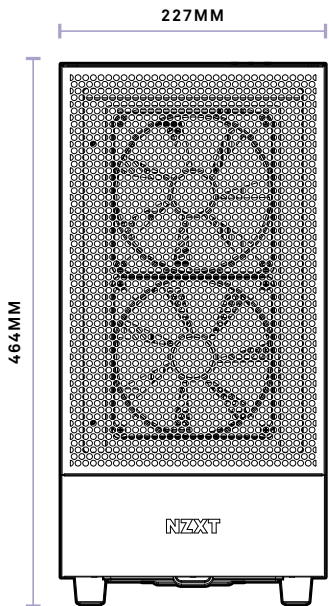
1. 顶部过滤网
2. 后排气扇
3. PCI 插件
4. PSU 防尘过滤器
5. 左侧钢化玻璃面板
6. 理线档板
7. 前侧冷却支架
8. 前进气扇
9. 前部 I/O 模块
10. 右面板
11. 硬盘托架
12. 风扇风罩
13. 底部风扇进气口
14. 前部滤网
15. 前网板
16. 底部风扇滤网

1. 顶部滤通网
2. 后方排气风扇
3. PCI 插槽盖
4. 电源供应器防尘滤网
5. 左侧钢化玻璃面板
6. 理线档板
7. 前方散热支架
8. 前方进气风扇
9. 前部 I/O 模块
10. 右侧板
11. 硬盘托架
12. 风扇风罩
13. 底部风扇进风口
14. 前部滤网
15. 前网板
16. 底部风扇滤网

CLEARANCES AND SPECIFICATIONS

MEDIDAS Y ESPECIFICACIONES
DÉGAGEMENTS ET SPÉCIFICATIONS
Abstände und technische Daten
SPAZI NECESSARI E SPECIFICHE
DIMENSÕES E ESPECIFICAÇÕES

간격과 규격
空間と仕様
間距與規格
間距與規格



Motherboard Support	ATX, Micro-ATX, mini-ITX
2.5" SSD Support	1+1
3.5" HDD Support	1
Expansion Slots	7
Cable Management	max 23mm
GPU Clearance	max 365mm
CPU Cooler	max 165mm
Front Radiator Clearance	45mm



Placas base admitidas	ATX, Micro-ATX, mini-ITX
Unidad de estado sólido de 2,5"	1+1
Unidad de disco duro de 3,5"	1
Ranuras de expansión	7
Organización de cables	máx. 23 mm
Espacio para tarjeta gráfica	máx. 365 mm
Refrigerador de procesador	máx. 165 mm
Espacio para radiador frontal	45 mm

Cartes mère prises en charge	ATX, Micro-ATX, mini-ITX
SSD 2,5"	1+1
Disques durs 3,5"	1
Fentes d'expansion	7
Gestion des câbles	maxi 23 mm
Espace libre carte graphique	maxi 365 mm
Refroidisseur pour processeur	maxi 165 mm
Espace libre radiateur frontal	E45 mm

Motherboard-Unterstützung	ATX, Micro-ATX, mini-ITX
2,5-Zoll-SSD	1+1
3,5-Zoll-Festplatte	1
Erweiterungssteckplätze	7
Kabelmanagement	max. 23 mm
Freiraum für GPU	max. 365 mm
CPU-Kühler	max. 165 mm
Freiraum für vorderen Kühler	45 mm

Scheda madre supportata	ATX, Micro-ATX, mini-ITX
SDD 2.5"	1+1
HDD 3.5"	1
Alloggi d'espansione	7
Gestione cavi	max. 23 mm
Ingombro GPU	max. 365 mm
Refrigeratore per CPU	max. 165 mm
Ingombro radiatore anteriore	45 mm

Placa-principais suportadas	ATX, Micro-ATX, mini-ITX
SSD de 2,5"	1+1
HDD de 3,5"	1
Ranuras de expansão	7
Gestão de cabos	máx. 23 mm
Espaço Necessário da GPU	máx. 365 mm
Refrigerador do CPU	máx. 165 mm
Espaço necessário do radiador frontal	45 mm

마더보드 지원	ATX, Micro-ATX, mini-ITX
2.5" SSD	1+1
3.5" HDD	1
확장 슬롯	7
케이블 관리	최대 23mm
GPU 간격	최대 365mm
CPU 쿨러	최대 165mm
전면 라디에이터 간격	45 mm

마ザーボードサポート	ATX, Micro-ATX, mini-ITX
2.5" SSDサポート	1+1
3.5" HDDサポート	1
エクステンションスロット	7
ケーブルマネジメント	最大23 mm
GPUクリアランス	最大365 mm
CPUクーラー	最大165 mm
フロントラジエータークリアランス	45 mm

主板支持	ATX, Micro-ATX, mini-ITX
2.5" SSD支持	1+1
3.5" HDD支持	1
扩充槽	7
线缆管理	最大 23mm
GPU 间隙	最大 365mm
CPU 冷却器	最大 165mm
前面散热器间隙	45 mm

主板支援	ATX, Micro-ATX, mini-ITX
2.5" SSD支援	1+1
3.5" HDD支援	1
扩充槽	7
线缆管理	最大 23mm
GPU 间隙	最大 365mm
CPU 冷却器	最大 165mm
前面散热器间隙	45 mm

ACCESSORY BOX

CAJA DE ACCESORIOS
BOITE D'ACCESSOIRES
ZUBEHÖRSET
SCATOLA DEGLI ACCESSORI
CAIXA DE ACESSÓRIOS

악세서리 박스
部品箱 (説明書入り)
配件盒
零件盒

A Hexagon Screw 6-32 x 6mm

x4



B Screw 6-32 x 5mm

x17



C Screw M3 x 5mm

x24



D Screw KB5 x 10mm

x12



E Cable Ties

x10



A. Hexagon Screw 6-32 X 6mm	Power supply installation
B. Screw 6-32 X 5mm	Motherboard installation, 3.5 hard drive installation
C. Screw M3 X 5mm	2.5 hard drive installation
D. Screw KB5 X 10mm	Fan installation
E. Cable Tie	Cable management

A. Tornillo hexagonal de 6-32 x 6 mm	Instalación de la fuente de alimentación
B. Tornillo de 6-32 x 5 mm	Instalación de la placa base e instalación de la unidad de disco duro de 3,5"
C. Tornillo M3 x 5mm	Instalación de la unidad de disco duro de 2,5"
D. Tornillo KB5 x 10 mm	Instalación del ventilador
E. Brida para cables	Administración de los cables

A. Vis hexagonale 6-32 x 6 mm	Installation de l'alimentation électrique
B. Vis 6-32 x 5 mm	Installation de la carte mère, installation du disque dur 3,5"
C. Vis M3 x 5 mm	Installation du disque dur 2,5"
D. Vis KB5 x 10 mm	Installation du ventilateur
E. Attache-câble	Gestion du câblage

A. Sechskantschraube 6 – 32 x 6 mm	Netzteilinstallation
B. Schraube 6 – 32 x 5 mm	Motherboard-Installation, 3,5-Zoll-Festplatteninstallation
C. Schraube M3 x 5 mm	2,5-Zoll-Festplatteninstallation
D. Schraube KB5 x 10 mm	Lüfterinstallation
E. Kabelbinder	Kabelverwaltung

A. Vite esagonale 6-32 x 6 mm	Installazione dell'alimentatore
B. Vite 6-32 x 5 mm	Installazione della scheda madre, installazione HDD 3.5"
C. Vite M3 x 5 mm	Installazione HDD 2.5"
D. Vite KB5 x 10 mm	Installazione della ventola
E. Fascetta per cavi	Gestione dei cavi

A. Parafusos hexagonal 6-32 x 6 mm	Instalação da fonte de alimentação
B. Parafusos 6-32 x 5 mm	Instalação da placa principal, instalação da unidade de 3,5"
C. Parafusos M3 x 5 mm	Instalação da unidade de 2,5"
D. Parafusos KB5 x 10 mm	Instalação da ventoinha
E. Braçadeira para cabos	Gestão de cabos

- A. 육각나사 6-32 x 6mm 전원공급장치 설치
- B. 나사 6-32 x 5mm 마더보드 설치, 3.5 하드 드라이브 설치
- C. 나사 M3 x 5mm 2.5 하드 드라이브 설치
- D. 나사 KB5 x 10mm 팬 설치
- E. 케이블 타이 케이블 정리

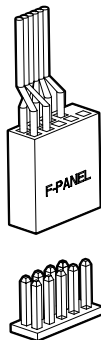
- A. 六角ネジ6-32 x 6mm 電源装着用
- B. ネジ6-32 x 5mm マザーボード装着、3.5HDD装着用
- C. ネジ M3 x 5mm 2.5HDD装着
- D. ネジKB5 x 10mm ファン装着用
- E. ケーブルタイ ケーブル整理用

- A. 六角螺丝 6-32 x 6mm 安装电源
- B. 螺丝 6-32 x 5mm 主板安装, 3.5 硬盘安装
- C. 螺丝 M3 x 5mm 2.5 硬盘安装
- D. 螺丝 KB5 x 10mm 安装风扇
- E. 束线带 线缆管理

- A. 六角螺丝 6-32 x 6mm 安装电源
- B. 螺丝 6-32 x 5mm 主板安装, 3.5 硬盘安装
- C. 螺丝 M3 x 5mm 2.5 硬盘安装
- D. 螺丝 KB5 x 10mm 安装风扇
- E. 束线带 线缆管理

CABLE CONNECTIONS

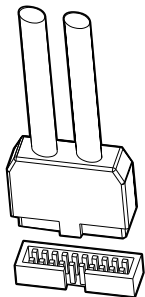
DISCO DE ADMINISTRACIÓN DE CABLES 케이블 연결
CONNEXIONS DES CÂBLES 케이블接続
KABELVERBINDUNGEN 线缆连接
COLLEGAMENTI DEI CAVI 線路連接
LIGAÇÕES DE CABOS



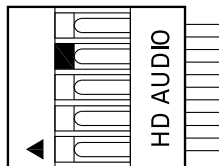
FOR INTEL STANDARD F_PANEL HEADER



USB 3.2 GEN 2 TYPE-C



USB 3.2 GEN 1 TYPE-A

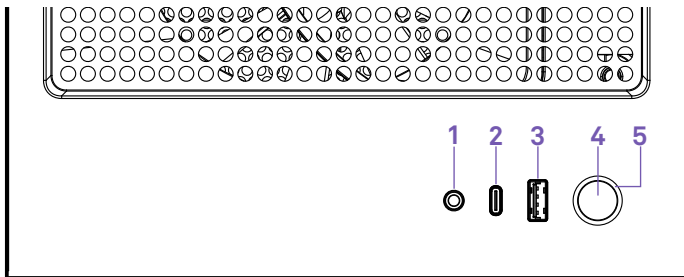


HD AUDIO

BUTTONS AND I/O

Botones y E/S
Boutons et E/S
Tasten und E/S
Pulsanti e I/O
Botões e E/S

버튼 및 I/O
ボタンおよび I/O
按鈕和 I/O
按鈕和 I/O



- 1 . Headset Jack
- 2 . USB 3.2 Gen2 Type-C
- 3 . USB 3.2 Gen1 Type-A
- 4 . Power switch
- 5 . Power LED

- 1 . Jack para auriculares
- 2 . USB 3.2 Gen2 Type-C
- 3 . USB 3.2 Gen1 Type-A
- 4 . Interruptor de encendido
- 5 . LED de alimentación

- 1 . Prise Casque
- 2 . USB 3.2 Gen2 Type-C
- 3 . USB 3.2 Gen1 Type-A
- 4 . Interrupteur marche/arrêt
- 5 . Témoin d'alimentation

- 1 . Headset-Buchse
- 2 . USB 3.2 Gen2 Type-C
- 3 . USB 3.2 Gen1 Type-A
- 4 . Netzschalter
- 5 . Betriebs-LED

- 1 . Ingresso Cuffie
- 2 . USB 3.2 Gen2 Type-C
- 3 . USB 3.2 Gen1 Type-A
- 4 . Interruttore d'alimentazione
- 5 . LED alimentazione

- 1 . Jack de fone de ouvido
- 2 . USB 3.2 Gen2 Type-C
- 3 . USB 3.2 Gen1 Type-A
- 4 . Interruptor de alimentação
- 5 . LED de alimentação

- 1 . 헤드셋 잭
- 2 . USB 3.2 Gen2 Type-C
- 3 . USB 3.2 Gen1 Type-A
- 4 . 전원 스위치
- 5 . 전원 LED

- 1 . 헤드셋세트잭
- 2 . USB 3.2 Gen2 Type-C
- 3 . USB 3.2 Gen1 Type-A
- 4 . 電源スイッチ
- 5 . パワーLED

- 1 . 高耳机麦克风常数
- 2 . USB 3.2 Gen2 Type-C
- 3 . USB 3.2 Gen1 Type-A
- 4 . 电源开关
- 5 . 电源LED

- 1 . 耳機麥克風插孔
- 2 . USB 3.2 Gen2 Type-C
- 3 . USB 3.2 Gen1 Type-A
- 4 . 電源開關
- 5 . 電源LED

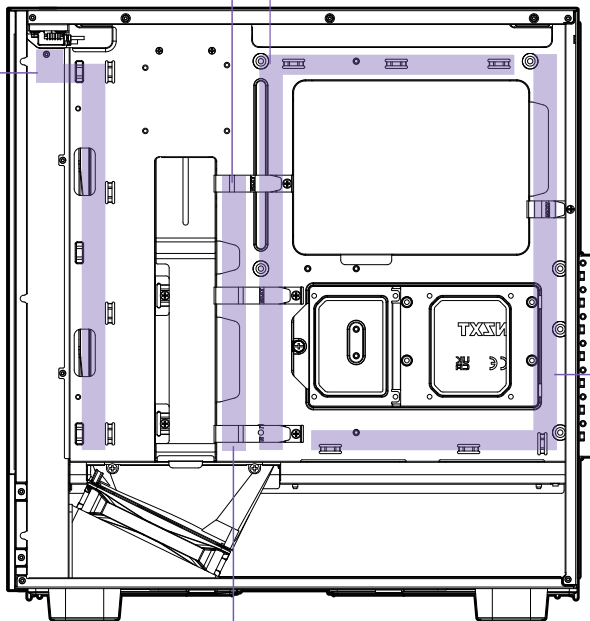
CABLE MANAGEMENT SYSTEM

SISTEMA DE GESTIÓN DE CABLES
SYSTÈME DE CÂBLAGE
KABELMANAGEMENTSYSTEM
SISTEMA DI GESTIONE DEI CAVI
SISTEMA DE GERENCIAMENTO DE CABOS

케이블 관리 시스템
ケーブルマネジメントシステム
理线管理系统
整線管理系统

FRONT I/O CABLE AND FAN
CABLE CHANNEL

FAN CABLE CHANNEL



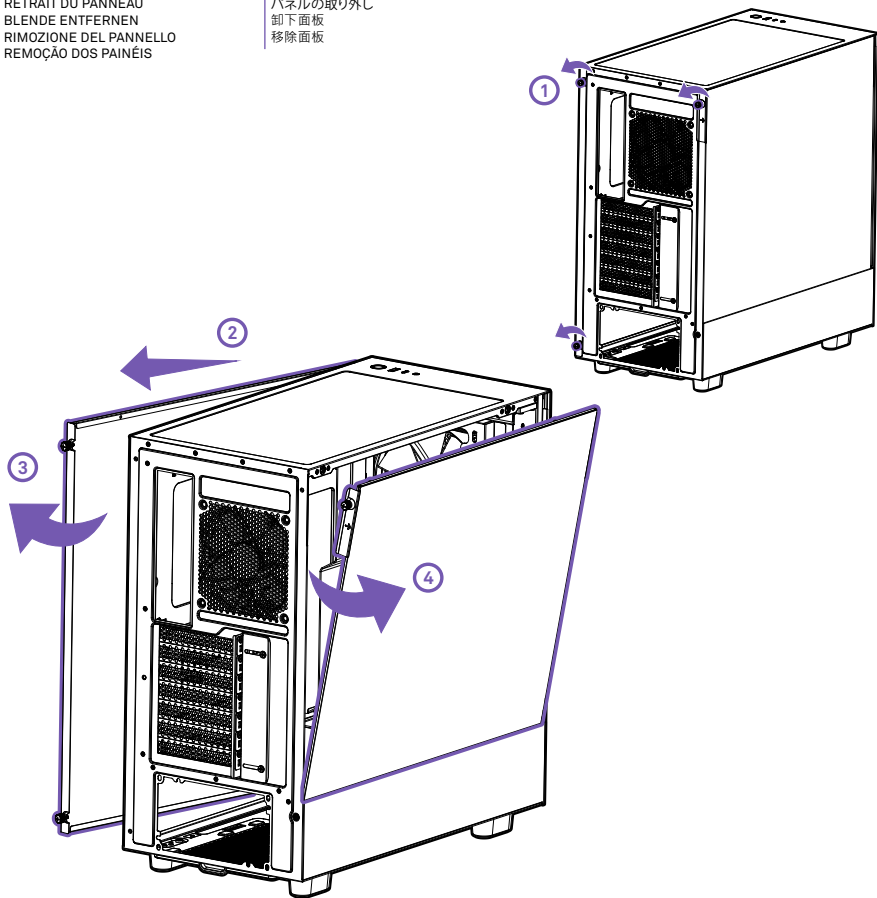
24 PIN CABLE AND SATA
CABLE CHANNEL

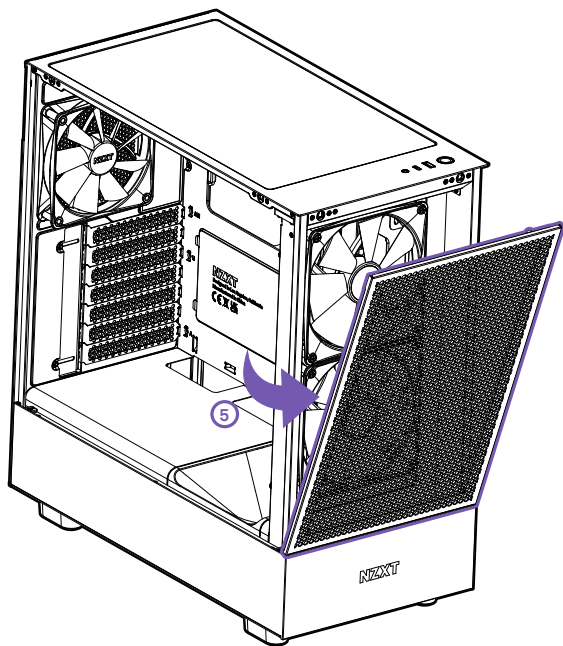
8 PIN CABLE CHANNEL

PANEL REMOVAL

EXTRACCIÓN DE PANEL
RETRAIT DU PANNEAU
BLENDE ENTFERNEN
RIMOZIONE DEL PANNELLO
REMOÇÃO DOS PAINÉIS

패널 제거
パネルの取り外し
卸下面板
移除面板

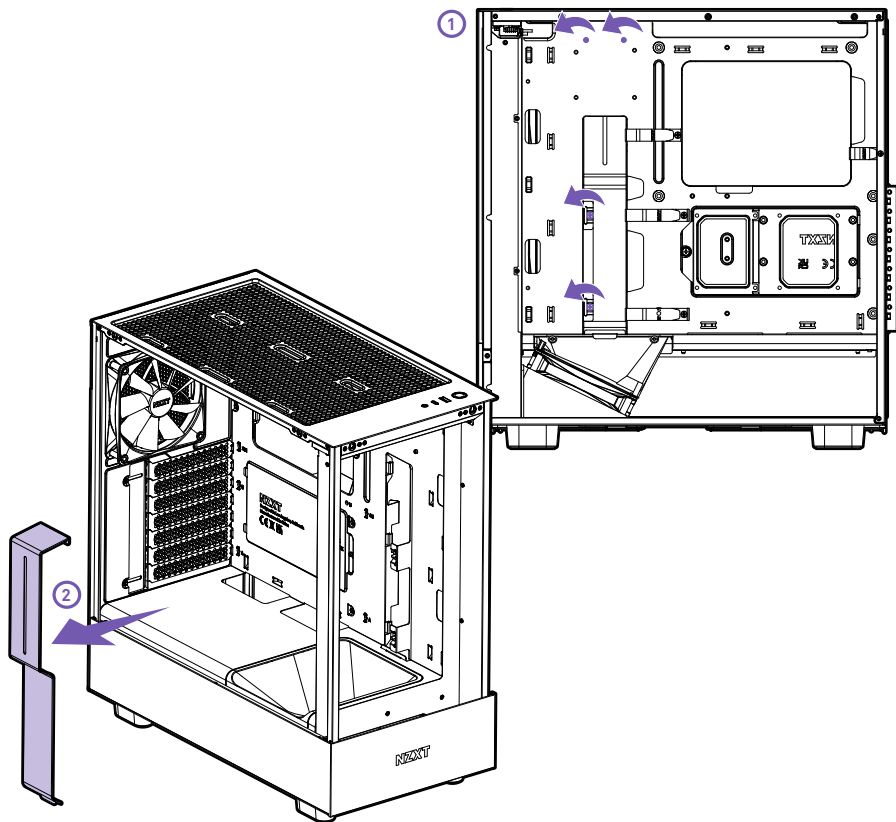




CABLE BAR REMOVAL

DESMONTAJE DE LA BARRA DE CABLES
RETRAIT DE LA BARRE DE CÂBLES
AUSBAU DER KABELFÜHRUNGSLAISTE
RIMOZIONE DELLA BARRA DI GESTIONE CAVI
REMOÇÃO DA BARRA DE CABOS

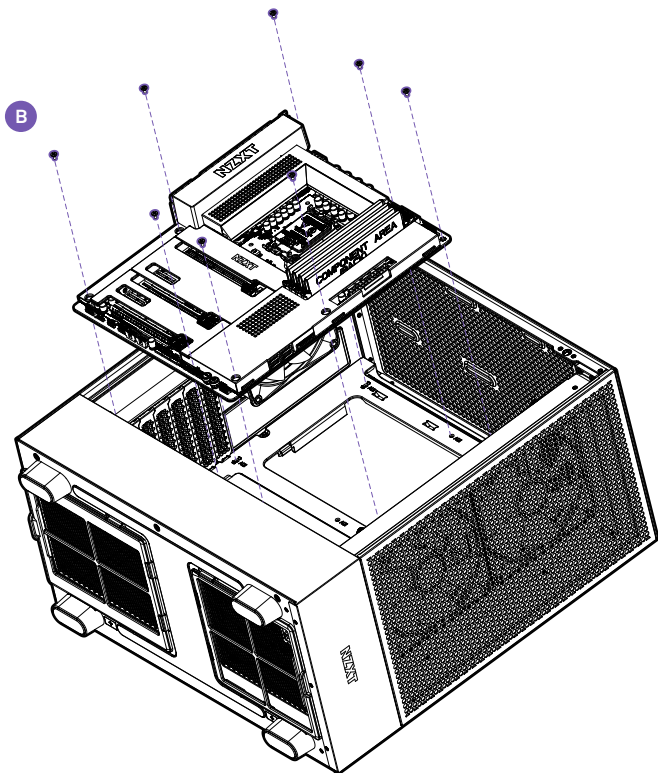
케이블 바 제거
ケーブルバーの取り外し
线缆整理件拆卸
線纜整理件拆卸



MOTHERBOARD INSTALLATION

INSTALCIÓN DE LA PLACA BASE
INSTALLATION DE LA CARTE MÈRE
INSTALLATION DER HAUPTPLATINE
INSTALLAZIONE DELLA SCHEDA MADRE
INSTALAÇÃO DA PLACA PRINCIPAL

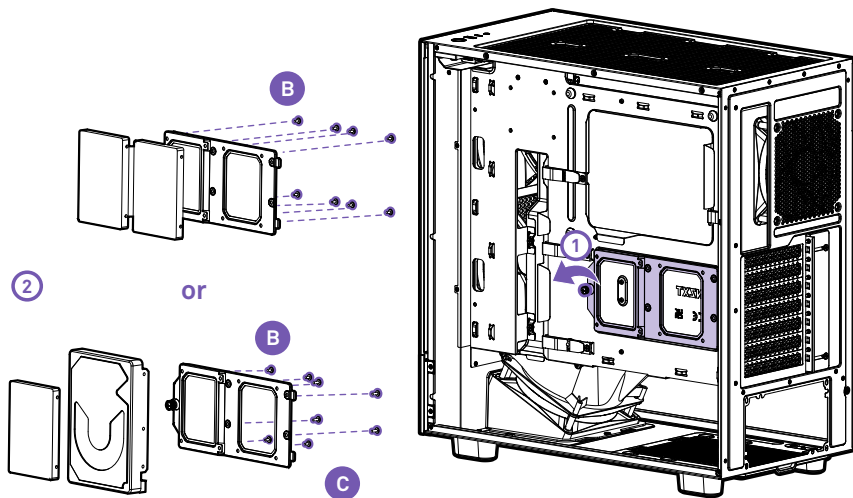
마더보드 설치
マザーボードの装着
主板安装
主機板安裝



STORAGE INSTALLATION

INSTALACIÓN DE ALMACENAMIENTO
INSTALLATION DU DISPOSITIF DE STOCKAGE
SPEICHERMONTAGE
INSTALLAZIONE MEMORIA
INSTALAÇÃO DO ARMAZENAMENTO

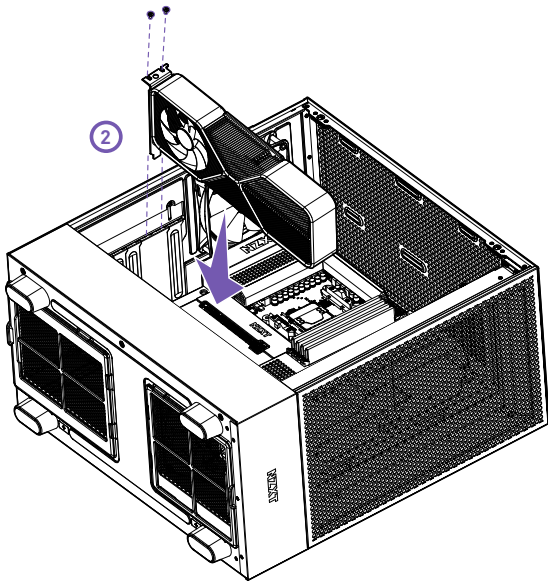
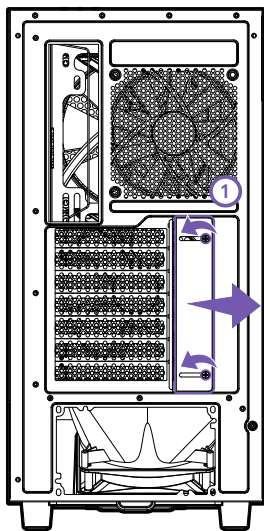
스토리지 설치
ストレージの取り付け
存儲器安裝
存儲器安裝



EXPANSION CARD INSTALLATION

INSTALACIÓN DE LA TARJETA DE EXPANSIÓN
INSTALLATION DE LA CARTE D'EXTENSION
INSTALLATION DER ERWEITERUNGSKARTE
INSTALLAZIONE DELLA SCHEDA D'ESPANSIONE
INSTALAÇÃO DA PLACA DE EXPANSÃO

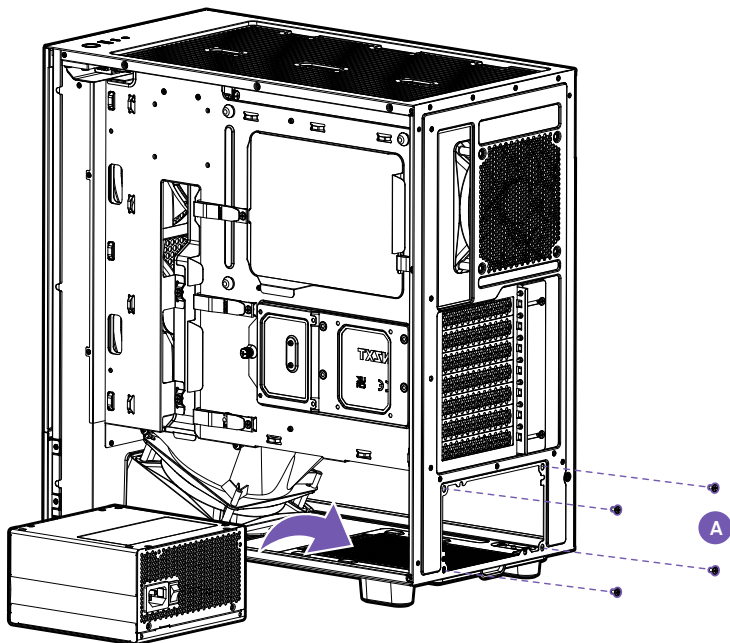
확장 카드 설치
拡張カードの装着
扩展卡安装
擴充卡安裝



POWER SUPPLY INSTALLATION

INSTALACIÓN DE LA FUENTE DE ALIMENTACIÓN
INSTALLATION DE L'ALIMENTATION
INSTALLATION DER STROMVERSORGUNG
INSTALLAZIONE DELL'ALIMENTATORE
INSTALAÇÃO DA FONTE DE ALIMENTAÇÃO

전원공급장치 설치
電源の装着
電源安裝
電源安裝



IMPORTANT!

Install the PSU with the fan facing down.

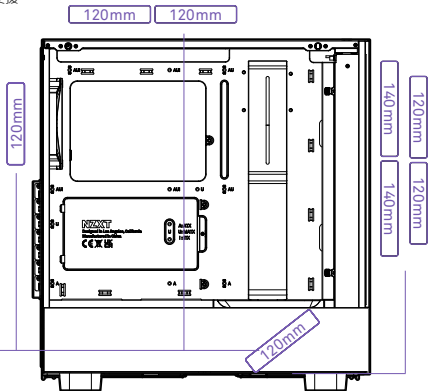
FAN AND RADIATOR SUPPORT

Compatibilidad de ventiladores y radiadores
Prise en charge des radiateurs et ventilateurs
Lüfter- und Kühler-Unterstützung
Supporto ventole e radiatore
Suporte para ventoinha e a radiador

팬 및 라디에이터 지원
対応ファンおよびラジエータ
风扇和散热器支持
風扇和散熱排支援

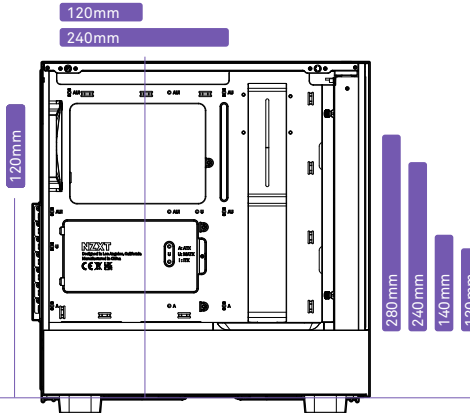
FAN

TOP: 2 X 120MM
FRONT: 2 X 120MM / 2 X 140MM
REAR: 1 X 120MM
BOTTOM: 1 X 120MM



RADIATOR

TOP: UP TO 240MM
FRONT: UP TO 280MM
REAR: UP TO 120MM

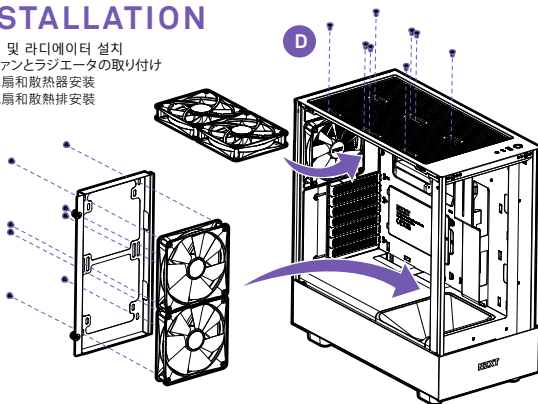


FAN & RADIATOR INSTALLATION

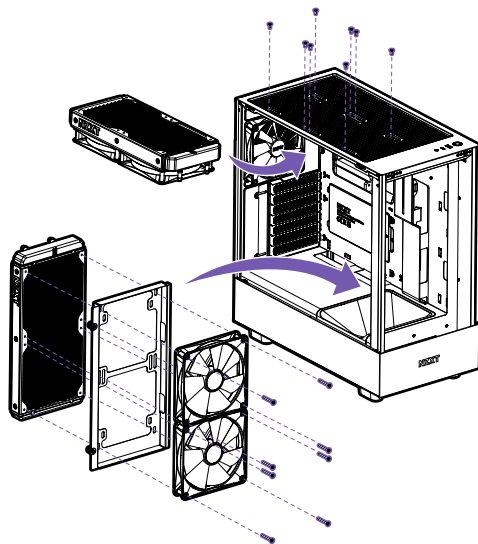
Instalación de ventiladores y radiadores
Installation des radiateurs et ventilateurs
Lüfter- und Kühler-Installation
Installazione ventole e radiatore
Instalação para ventoinha e a radiador

팬 및 라디에이터 설치
ファンとラジエータの取り付け
风扇和散热器安装
風扇和散熱排安裝

FAN



RADIATOR



These screws are included in your AIO cooler.

BOTTOM FAN REMOVAL

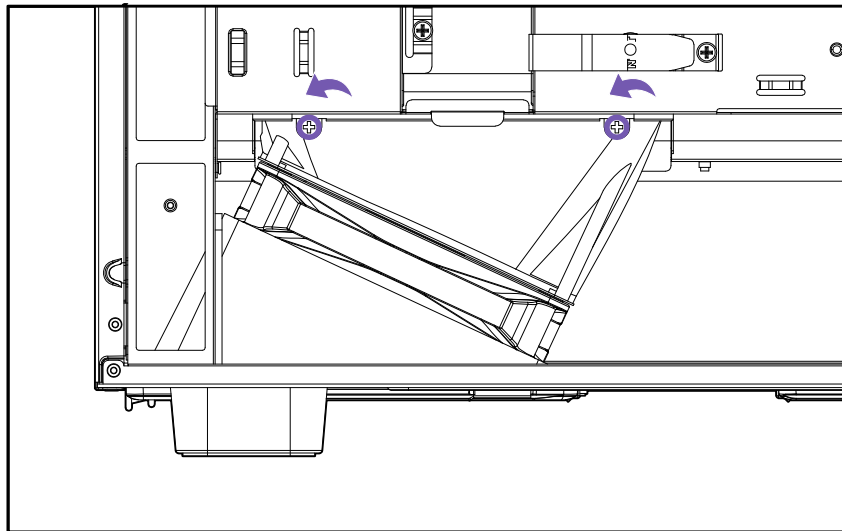
Desmontaje del ventilador inferior
Retrait du ventilateur inférieur
Ausbau des unteren Lüfters
Rimozione della ventola inferiore
Remoção da ventoinha inferior

하단 팬 제거
ボトムファンの取り外し
底部風扇拆卸
底部風扇拆卸

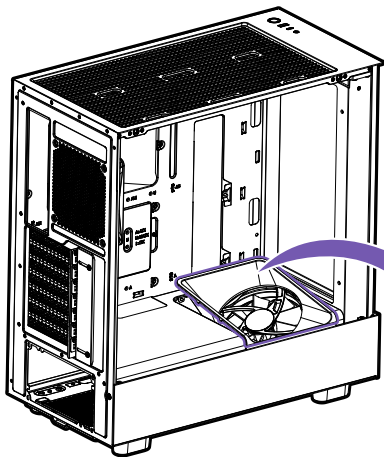
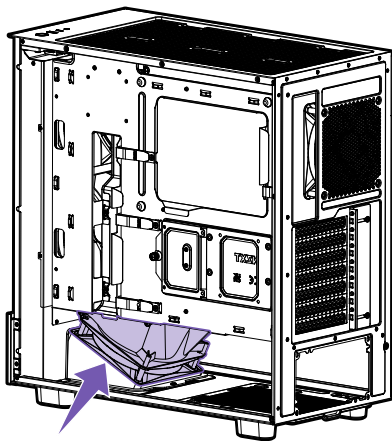


Please refer to the instructions on cable bar removal for easier removal of the bottom fan.

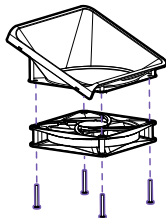
- 1 Release the two screws.



- ② From the rear side of the PSU shroud, push and lift on the air duct as indicated to release the air duct and bottom fan.



- ③ From the front side of the shroud, lift the air duct and remove it from the case.



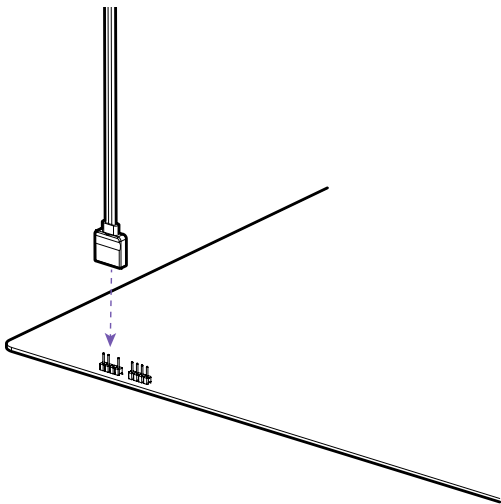
- ④ Remove the screws to release the fan from the air duct.

POWERING THE LEDs

5V ARGB

CÓMO ALIMENTAR LAS LUCES LED (ARGB 5 V)
ALIMENTATION DES LED (RVBA 5 V)
LEDS ANSCHLIESSEN (5V ARGB)
ALIMENTAZIONE LED (5V ARGB)
ALIMENTAÇÃO DOS LEDS (ARGB 5V)

LED 전원 커기(5V ARGB)
LEDへの電力供給 (5V ARGB)
为 LED 供电 (5V ARGB)
为 LED 供电 (5V ARGB)



Connect the 5V ARGB (Female) end to an available 5V 3-pin ARGB header on your motherboard.

Conecta el extremo del ARGB 5 V (hembra) a un cabezal ARGB 5 V de 3 pines que tengas disponible en la placa base.

Raccordez l'extrémité RVBA 5 V (femelle) à une embase RVBA 5 V 3 broches disponible sur votre carte mère.

Schließ das 5V ARGB-Kabel (Buchse) an einen freien 5V 3-Pin ARGB-Anschluss auf deinem Motherboard an.

Collega il terminale ARGB 5V a un connettore 5V a 3 pin disponibile sulla scheda madre.

Ligue a extremidade ARGB 5V (fêmea) a um conector disponível ARGB 5V de 3 pinos na sua motherboard.

5V ARGB(암) 단부를 마더보드에 있는 사용 가능한 5V 3핀 ARGB 헤더에 연결합니다.

5V ARGB (メス) 端子をマザーボード上の使用可能な5V 3ピン ARGBヘッダーに接続します。

将 5V ARGB (插座) 端连接至您主板上未使用的 5V 3 针 ARGB 接头。

將 5V ARGB (母頭) 端連接到主機板上的可用 5V 3 針 ARGB 接頭。

限用物质及元素列表/限用物質及元素清單

产品名称：机箱·H系列

有害物质

部件名称	铅(Pb)	镉(Cd)	汞(Hg)	六价铬(Cr ⁶⁺)	多溴联苯(PBB)	多溴联苯醚(PBDE)
PCBA及板上元件	○	○	○	○	○	○
连接器	○	○	○	○	○	○
线材	○	○	○	○	○	○
金属结构件	○	○	○	○	○	○
塑胶结构件	○	○	○	○	○	○
风扇	○	○	○	○	○	○
涂料	○	○	○	○	○	○
包装及缓冲材料	○	○	○	○	○	○
纸类及印刷品	○	○	○	○	○	○

本表格依据SJ/T 11364的规定编制。

○: 表示该有害物质在该部件所有均质材料中的含量均在GB/T 26572规定的限量要求下。

×: 表示该有害物质至少在该部件的某一均质材料中的含量超出GB/T 26572规定的限量要求,然该部件仍符合欧盟命令2011/65/EU的规范。

产品名称：机箱：H系列

限用物質及其化學符號

單元	鉛(Pb)	鎘(Cd)	汞(Hg)	六價鉻(Cr ⁶⁺)	多溴聯苯(PBB)	多溴聯苯醚(PBDE)
PCBA及板上元件	○	○	○	○	○	○
連接器	○	○	○	○	○	○
線材	○	○	○	○	○	○
金屬結構件	○	○	○	○	○	○
塑膠結構件	○	○	○	○	○	○
風扇	○	○	○	○	○	○
塗料	○	○	○	○	○	○
包裝及緩衝材料	○	○	○	○	○	○
紙類及印刷品	○	○	○	○	○	○

備考1. “超出0.1wt%”及“超出0.01wt%”係指限用物質之百分比含量超出百分比含量基準值。

備考2. “○”係指該項限用物質之百分比含量未超出百分比含量基準值。

備考3. “-”係指該項限用物質為排除項目。

NZXT GLOBAL WARRANTY POLICY

This NZXT Global Warranty Policy governs the sale of products by NZXT to you.

I. WARRANTY LENGTH

New NZXT Product	Warranty Length
Computer Cases	2 Years

Any replacement product will be covered under warranty for the remainder of the warranty period or thirty days, whichever is longer. Proof of purchase is required for warranty service.

II. WHO IS PROTECTED

The Warranty covers only NZXT products purchased by the original consumer.

III. WHAT IS AND IS NOT COVERED

Please note that our warranty is not an unconditional guarantee. If the product, in NZXT's reasonable opinion, malfunctions within the warranty period, NZXT will provide you at its sole discretion with a repaired or replacement product, either new or refurbished, with a similar function that is equal or greater in value depending on supply. Our warranty does not cover the following:

- any product or serial number/warranty sticker modification applied without permission from NZXT;
- any damage that is not a manufacturing defect;
- damage, deterioration or malfunction resulting from: accident, abuse, misuse, neglect, fire, water, lightning, or other acts of nature, unauthorized product modification or failure to follow instructions included with the product;
- improper installation, unauthorized alterations or modifications, or repair or attempted repair by anyone not authorized by NZXT;
- shipping or transport damage (claims must be made with the carrier);
- normal wear and tear.

NZXT does not warrant that this product will meet your requirements. It is your responsibility to determine the suitability of this product for your purpose. For NZXT Store orders, we cover two way return shipping for all exchanges and returns. For all other authorized dealers, NZXT Support does not cover return shipping and only covers one way shipping from NZXT back to the end user for exchanges. Two way expedited shipping is provided for all PSUs covered under the Less Than Three program, indiscriminate of purchase location, provided the location is an approved NZXT reseller.

IV. EXCLUSION OF DAMAGES (DISCLAIMER)

NZXT's sole obligation and liability under this warranty is limited to the repair or replacement of a defective product with either a new or refurbished product with a similar function that is equal or greater in value at our option. NZXT shall not, in any event, be liable for any incidental or consequential damage, including but not limited to damages resulting from interruption of service and loss of data, business, or for liability in tort relating to this product or resulting from its use or possession.

V. LIMITATIONS OF IMPLIED WARRANTIES

There are no other warranties, expressed or implied, including but not limited to those of merchantability or fitness for a particular purpose. The duration of implied warranties is limited to the warranty length specified in Paragraph I.

VI. TO OBTAIN TECHNICAL SUPPORT

If you have already referenced your product owner's manual and still need help, you may contact us by phone at +1 (800) 228-9395, by email at service@nzxt.com, or visit the NZXT Support site at nzxt.com/customer-support.

VII. HOW TO OBTAIN A WARRANTY SERVICE FROM NZXT

To receive a warranty service for your product when purchased directly from NZXT, you must submit a request via the NZXT Support site outlining the problem. If a technician deems the product defective or requiring testing, you will be required to provide a copy of your proof of purchase, which will enable you to submit a Return Merchandise Authorization "RMA" request.

Once approved, you'll receive an RMA number, upon which you will be asked to ship the defective item back to NZXT with the RMA number clearly marked or labelled on the package. NZXT recommends that appropriate measures are taken to safeguard the product from damage during shipping.

VIII. APPLICABLE LAW AND ADDITIONAL LEGAL RIGHTS FOR CONSUMERS

This warranty gives you specific legal rights. These conditions are governed and construed in accordance with the laws of California (with exception of its conflict of law provisions), and the application of the United Nations Convention of Contracts for the International Sale of Goods is expressly excluded. The non-exclusive jurisdiction of the courts of California is agreed, which means that you may bring a claim to enforce your consumer protection rights in connection with this Global Warranty in the country which you have your habitual residence where you may have additional rights. These rights may vary.

For original consumers who are covered by consumer protection laws or regulations in their country, state, or province of purchase or, if different, their country, state, or province of residence, the benefits conferred by this warranty are in addition to all rights and remedies conveyed by such consumer protection laws and regulations. To the extent that liability under such consumer laws can be limited, NZXT's liability is limited, and its sole option, to repair or replacement, either new or refurbished, with a similar function that is equal or greater in value depending on supply.

In the United Kingdom:

- For NZXT products sold to customers in the UK, during the expected lifespan of your product your legal rights entitle you to the following:
 - > Up to 30 days: if your goods are faulty, then you can get an immediate refund.
 - > Up to six months: if your goods can't be repaired or replaced, then you're entitled to a full refund, in most cases.
 - > Up to six years: if your goods do not last a reasonable length of time you may be entitled to some money back.
- If the person seeking to rely on the guarantee is not the original consumer, the NZXT Warranty will cover the product in relation to that person provided that they are able to provide proof of the transfer of the benefit of the guarantee from the original consumer.
- The implied warranties under the Consumer Rights Act 2015 says that your goods must be as described, fit for all purposes for which such goods are usually supplied, and of satisfactory quality.

In the EU:

- If you are a consumer and have your habitual residence in the EU, you additionally enjoy the protection afforded to you by provisions that cannot be derogated from by agreement by virtue of the law where you have your habitual residence.

IX. WARRANTY SERVICE FROM RESELLERS

In the event that a warranty service is sought, you must provide proof of purchase (store receipt or invoice) in order to receive the service and if deemed necessary, repair or replacement product.

In North America:

Within the first 60 days after purchase, please return your product (or for power supplies installed within our enclosures, just the failed power supply) to your dealer or reseller for a replacement. If the product is still within warranty and you can no longer return it to your dealer, please contact NZXT Customer Support (see above) for assistance and instructions. NZXT will not accept returns without prior approval and an RMA number.

In Europe:

Within the first year after purchase, please return your product (or for power supplies installed within our enclosures, just the failed power supply) to your dealer or reseller for a replacement. If the product is still within warranty and you can no longer return it to your dealer, please contact NZXT Customer Support (see above) for assistance and instructions. NZXT will not accept returns without prior approval.

In Australasia:

Within the first two years after purchase, please return your product (or for power supplies installed within our enclosures, just the failed power supply) to your dealer or reseller for a replacement. If the product is still within warranty and you can no longer return it to your dealer, please contact NZXT Customer Support (see above) for assistance and instructions. NZXT will not accept returns without prior approval.

The cost of shipping will be borne at the first instance by you; however, if the purchased item is defective, NZXT will reimburse reasonable postage or transportation of costs.

Outside North America, Europe, and Australasia:

If your product needs to be returned within the warranty period, please contact the retailer or distributor from whom you purchased the product.

X. NZXT.COM STORE RETURNS/EXCHANGE POLICY

Eligible products under this NZXT Warranty qualify for a full refund or exchange only with an authorized RMA number and if the item is returned to the NZXT.com store inventory within 30 days of purchase. Returns are not allowed beyond 30 days of the purchase date. The NZXT.com Store reserves the right to deny any return or exchange. Refunds will be credited to the original method of payment. To initiate a return, simply submit a request via NZXT support site.

- > Visit nzxt.com/warranty and support.nzxt.com for information on warranty coverage and service.
- > Visite el sitio Web nzxt.com/warranty y support.nzxt.com para obtener información sobre la cobertura y el servicio de la garantía.
- > Visitez nzxt.com/warranty et support.nzxt.com pour les informations de la couverture de la garantie et du service.
- > Informationen zu Geltungsbereich und Service der Garantie finden Sie unter support.nzxt.com und nzxt.com/warranty.
- > Visitare il sito nzxt.com/warranty e support.nzxt.com per informazioni sulla copertura e sul servizio della garanzia.
- > Visite nzxt.com/warranty e support.nzxt.com para obter informações sobre a cobertura da garantia e assistência.
- > 제품 보증 범위와 서비스 정보를 확인하시려면 nzxt.com/warranty 또는 support.nzxt.com 을 방문해 주시기 바랍니다.
- > 保証範圍およびサービスに関する情報については、support.nzxt.com と nzxt.com/warranty にアクセスしてください。
- > 請造訪 nzxt.com/warranty 和 support.nzxt.com 了解修修范围和服務的信息。
- > 請訪問 nzxt.com/warranty 和 support.nzxt.com 了解產品保固範圍和更多服務訊息。

NZXT, Inc. | 15736 E. Valley Blvd, City of Industry, CA 91744, USA

NZXT Europe GmbH | Ammerthalstrasse 32 Kirchheim bei Muenchen 85551, Germany

NZXT UK Ltd. | First Floor 5 Fleet Place London EC4M 7RD, GB United Kingdom

+1 (800) 228-9395 / service@nzxt.com / nzxt.com



UKCA statement

The object of the declaration described above is in conformity with the relevant UK harmonization legislation:

- Electromagnetic Compatibility Regulations 2016
- The Restriction of the Use of Certain Hazardous Substances in Electrical and Electronic Equipment Regulations 2012

RoHS statement

This product is compliant to implemented RoHS (Restriction of Hazardous Substances) type regulations worldwide, including but not limited to Japan, India, Korea, and European Union.

REACH statement

EU REACH SVHC Disclosure on Candidate List

REACH (Registration, Evaluation, Authorization and Restriction of Chemicals, EC 1907/2006) is the European Union's (EU) chemical substances regulatory framework. REACH requires NZXT Inc. to provide customers with sufficient information on Substances of Very High Concern (SVHC) contained in products in concentration above 0.1% weight by weight (w/w) to allow safe use of the product.

**DECLARATION OF CONFORMITY**

- The device complies with the requirements set out in the Council Directives relevant Union harmonisation legislation:
- EMC Directive 2014/30/EU
- RoHS Directive 2011/65/EU & (EU) 2015/863

ENGLISH**DECLARACIÓN DE CONFORMIDAD**

- El dispositivo cumple los requisitos impuestos en las directivas del Consejo relativas a la legislación de armonización de la Unión Europea:
- Directiva sobre compatibilidad electromagnética 2014/30/UE
- Directiva sobre sustancias peligrosas 2011/65/UE y (UE) 2015/863

ESPAÑOL**DÉCLARATION DE CONFORMITÉ**

- L'appareil est conforme aux exigences définies dans les directives du Conseil relatives à la législation d'harmonisation de l'Union :
- Directive EMC 2014/30/UE
- RoHS-Richtlinie 2011/65/EU & (EU) 2015/863

FRANÇAIS**KONFORMITÄTSEKLRÄRUNG**

- Das Gerät entspricht den Anforderungen der entsprechenden EU-Harmonisierungsrichtlinien des Rates:
- EMV-Richtlinie 2014/30/EU
- RoHS-Richtlinie 2011/65/EU & (EU) 2015/863

DEUTSCH**DICHIARAZIONE DI CONFORMITÀ**

- Il dispositivo è conforme con i requisiti definiti nelle Direttive del Consiglio relative alla Norma sull'armonizzazione dell'Unione:
- Direttiva EMC 2014/30/UE
- Direttiva RoHS 2011/65/UE e (UE) 2015/863

ITALIANO**OŚWIADCZENIEZGODNOŚCI**

- Urządzenie jest zgodne z wymaganiami określonymi w odpowiednich unijnych Dyrektywach harmonizacyjnych Rady:
- Dyrektywa EMC 2014/30/UE
- Dyrektywa RoHS 2011/65/UE i (UE) 2015/863

POLSKI**KONFORMITETSDEKLARATION**

- Enheten uppfyller kraven som anges i Rådets direktivs relevanta harmoniseringslagstiftning för Europeiska unionen:
- EMC-direktivet 2014/30/EU
- RoHS-direktiv 2011/65/EU & (EU) 2015/863

SVENSKA**VAATIMUSTENMUKAISUUSVAKUUTUS**

- Het apparaat voldoet aan de vereisten van de relevante richtlijnen van de Raad met betrekking tot harmonisatiewetgeving in de Unie:
- EMC-richtlijn 2014/30/EU
- RoHS-richtlijn 2011/65/EU & (EU) 2015/863

NEDERLANDS



To protect the global environment and as an environmentalist, NZXT must remind you that:

Under the European Union ("EU") Directive on Waste Electrical and Electronic Equipment,

Directive 2002/96/EC, which takes effect on August 13, 2005, products of "electrical and electronic equipment" cannot be discarded as municipal waste anymore and manufacturers of covered electronic equipment will be obligated to take back such products at the end of their useful life. NZXT will comply with the product take back requirements at the end of life of NZXT-branded products that are sold into the EU. You can return these products to local collection points.

En tant qu'écologiste et afin de protéger l'environnement, NZXT tient à rappeler ceci:

Au sujet de la directive européenne (EU) relative aux déchets des équipements électriques et électroniques, directive 2002/96/EC, prenant effet le 13 août 2005, que les produits électriques et électroniques ne peuvent être déposés dans les décharges ou tout simplement mis à la poubelle. Les fabricants de ces équipements seront obligés de récupérer certains produits en fin de vie. NZXT prendra en compte cette exigence relative au retour des produits en fin de vie au sein de la communauté européenne. Par conséquent vous

pouvez retourner localement ces matériels dans les points de collecte.

FCC, ISED

This device complies with Part 15 of the FCC Rules. Operation is subject to the following two conditions: (1) This device may not cause harmful interference, and (2) this device must accept any interference received, including interference that may cause undesired operation.

CAN ICES-003(B) / NMB-003(B)

SUPPORT AND SERVICE

If you have any questions or problems with the NZXT product you purchased, please don't hesitate to contact us using our support system.

service@nzxt.com support.nzxt.com

Please include a detailed explanation of your problem and your proof of purchase. For comments and suggestions, you can e-mail our design team, designer@nzxt.com.

Lastly we would like to thank you for your support by purchasing this product. For more information about NZXT, please visit us online. NZXT Website: [NZXT.com](https://nzxt.com)

SOPORTE Y SERVICIO

Si tiene preguntas o problemas con el producto NZXT que usted compró, no dude en ponerse en contacto con service@nzxt.com y suministrar una explicación detallada de su problema así como su prueba de compra.

Puede hacer consultas sobre piezas de repuesto en support.nzxt.com.

Para comentarios y sugerencias, escriba un mensaje de correo electrónico a nuestro equipo de diseño: designer@nzxt.com.

Gracias por comprar un producto NZXT. Para más información acerca de NZXT, visítenos en línea. Página web de NZXT: [NZXT.com](https://nzxt.com)

SUPPORT ET SERVICE

Si vous avez des questions ou des problèmes avec le produit NZXT que vous avez acheté, n'hésitez pas à contacter service@nzxt.com avec une description détaillée de votre problème et votre preuve d'achat.

Vous pouvez aussi commander des pièces de remplacement auprès support.nzxt.com.

Pour les commentaires et les suggestions, envoyez un email à notre équipe de design, designer@nzxt.com.

Merci d'avoir acheté ce produit de NZXT. Pour plus d'informations sur NZXT, visitez notre site Web. Site Web de NZXT : [NZXT.com](https://nzxt.com)

KUNDENDIENST UND SERVICE

Falls Fragen oder Probleme bezüglich Ihres NZXT-Produktes auftreten, wenden Sie sich bitte mit einer detaillierten Problembeschreibung und Ihrem Kaufbeleg an service@nzxt.com.

Ersatzteile können Sie unter support.nzxt.com anfragen.

Kommentare und Anregungen senden Sie bitte per designer@nzxt.com an unser Designteam.

Vielen Dank, dass Sie ein NZXT-Produkt erworben haben. Weitere Informationen über NZXT erhalten Sie im Internet. NZXT-Webseite: [NZXT.com](https://nzxt.com)

ASSISTENZA E SERVIZIO

In caso di dubbi o problemi con il prodotto NZXT acquistato, non esitate a contattarci utilizzando il nostro sistema di assistenza. support.nzxt.com Includere una spiegazione dettagliata del problema e la prova di acquisto. service@nzxt.com

Per commenti e suggerimenti, siete pregati di inviare un messaggio al nostro team di progettisti, all'indirizzo: designer@nzxt.com.

Infine, vogliamo ringraziarvi del vostro supporto con l'acquisto di questo prodotto. Per altre informazioni su NZXT, visitate il nostro sito.

Sito NZXT: [NZXT.com](https://nzxt.com)

ASSISTÊNCIA E MANUTENÇÃO

Como tenha questões ou problemas com o produto NZXT adquirido, não hesite em contactar-nos através do endereço service@nzxt.com fornecendo a explicação detalhada do seu problema e a prova de compra.

Poderá solicitar peças de substituição através do endereço support.nzxt.com.

Para comentários e sugestões, contacte a nossa equipa de design através do endereço de e-mail, designer@nzxt.com.

Obrigado por ter adquirido um produto NZXT. Para mais informações acerca da NZXT, visitenos online. Web site da NZXT: NZXT.com

지원 및 서비스

구입한 NZXT 제품과 관련하여 질문 또는 문제가 있을 경우, 당사의 지원 시스템 support.nzxt.com 을 사용하여 문의하십시오. 문제를 자세히 기술하고 구매 증빙을 제출하십시오. service@nzxt.com

의견 또는 제안 사항이 있을 경우 당사 설계 팀에 designer@nzxt.com으로 이메일을 보내십시오.

마지막으로 제품 구입하여 당사를 응원해 주셔서 감사합니다. NZXT에 대해 자세히 알려면 온라인으로 방문하십시오. NZXT 웹사이트: NZXT.com

サポートおよびサービス

購入されましたNZXTの製品に関するご質問または問題は、問題の詳細および購入の証明を添えて、ご遠慮なく service@nzxt.com までご連絡ください。

交換部品は support.nzxt.com までお尋ねください。

ご意見およびご提案は弊社設計チーム、designer@nzxt.com までメールを送信してください。

NZXT製品をご購入いただきましてありがとうございます。NZXTに関する詳細は、インターネット上のウェブサイトをご覧ください。NZXT ウェブサイト: NZXT.com

支持和服務

如果有任何疑问或者在使用 NZXT 产品的过程中遇到任何问题，欢迎联络 service@nzxt.com，联络时请提供关于问题的详细说明及购买凭证。

您可以向 support.nzxt.com 查询更换部件。

如有任何意见或建议，欢迎致信我们的设计团队，电子邮件地址是 designer@nzxt.com。

感谢您购买 NZXT 产品，有关 NZXT 的更多信息，请造访我们的在线网站。NZXT 网站: NZXT.com

支援和服務

如果在使用 NZXT 產品的過程中有遇到任何問題或疑問，歡迎聯繫 service@nzxt.com，並請提供問題的詳細敘述及購買證明。

您可以透過 support.nzxt.com 查詢更換部件。

如有任何意見或建議，歡迎來信與設計團隊聯繫 designer@nzxt.com。

最後，感謝您購買 NZXT 產品。有關 NZXT 的更多資訊，請瀏覽我們的網站。NZXT 網站: NZXT.com

NZXT

NZXT, Inc. | 15736 E. Valley Blvd, City of Industry, CA 91744, USA

NZXT Europe GmbH | Ammerthalstrasse 32 Kirchheim bei Muenchen 85551, Germany

NZXT UK Ltd. | First Floor 5 Fleet Place London EC4M 7RD, GB United Kingdom

+1 (800) 228-9395 / service@nzxt.com / nzxt.com

立光科技國際股份有限公司 | 台北市中山區長安東路二段36巷3號1樓

Ovaj dokument je originalno proizveden i objavljen od strane proizvođača, brenda NZXT, i preuzet je sa njihove zvanične stranice. S obzirom na ovu činjenicu, Tehnoteka ističe da ne preuzima odgovornost za tačnost, celovitost ili pouzdanost informacija, podataka, mišljenja, saveta ili izjava sadržanih u ovom dokumentu.

Napominjemo da Tehnoteka nema ovlašćenje da izvrši bilo kakve izmene ili dopune na ovom dokumentu, stoga nismo odgovorni za eventualne greške, propuste ili netačnosti koje se mogu naći unutar njega. Tehnoteka ne odgovara za štetu nanесenu korisnicima pri upotrebi netačnih podataka. Ukoliko imate dodatna pitanja o proizvodu, ljubazno vas molimo da kontaktirate direktno proizvođača kako biste dobili sve detaljne informacije.

Za najnovije informacije o ceni, dostupnim akcijama i tehničkim karakteristikama proizvoda koji se pominje u ovom dokumentu, molimo posetite našu stranicu klikom na sledeći link:

<https://tehnoteka.rs/p/nzxt-kuciste-h5-flow-rgb-cc-h51fw-r1-belo-akcija-cena/>