

Uputstvo za upotrebu (EN)

GIGABYTE kućište Aorus C500 Glass GB-AC500G ST

GIGABYTE™



Tehnoteka je online destinacija za upoređivanje cena i karakteristika bele tehnike, potrošačke elektronike i IT uređaja kod trgovinskih lanaca i internet prodavnica u Srbiji. Naša stranica vam omogućava da istražite najnovije informacije, detaljne karakteristike i konkurentne cene proizvoda.

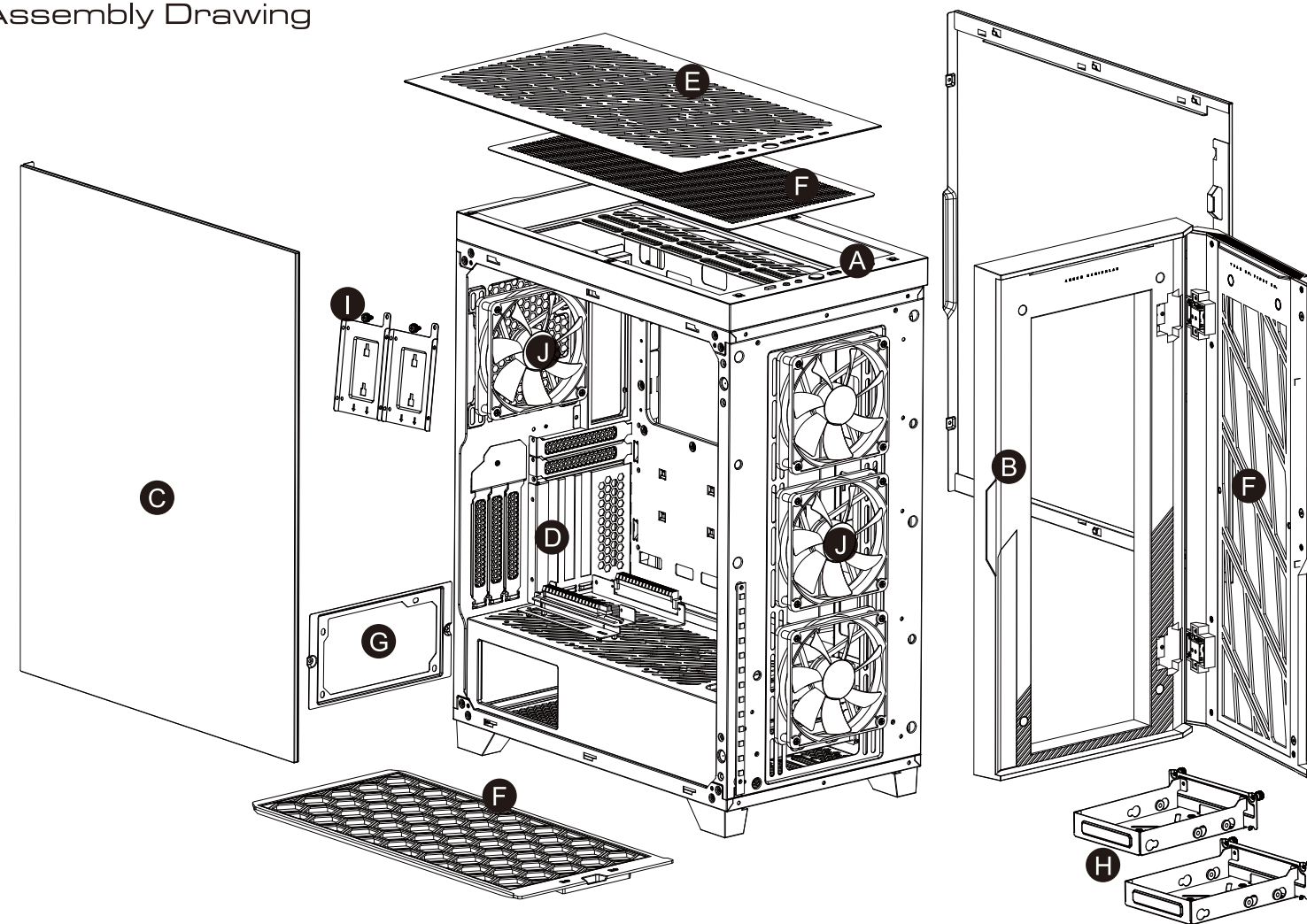
Posetite nas i uživajte u ekskluzivnom iskustvu pametne kupovine klikom na link:

<https://tehnoteka.rs/p/gigabyte-kuciste-aorus-c500-glass-gb-ac500g-st-akcija-cena/>

AORUS C500 GLASS

INSTALLATION GUIDE

Assembly Drawing



- A** I/O panel
- B** Front panel
- C** Tempered glass side panel
- D** Vertical and horizontal graphics card installation (PCI-E Riser Cable not included)
- E** Top panel
- F** Detachable dust filter
- G** PSU mounting plate
- H** 3.5"/2.5" drive bays
- I** 2.5" drive bays
- J** ARGB & PWM fans (Pre-installed 120mm*4)

Warranty

Gigabyte provides limited product warranty. For the latest and current terms of the Limited Product Warranty, please visit <http://www.gigabyte.com/support-downloads/customer-service.aspx>.

WEEE Information

This symbol on the product or in the instructions means that your electrical and electronic equipment should be disposed at the end of its life separately from your household waste.

There are separate collection systems for recycling in the EU.

For more information, please contact the local authority or your retailer where you purchased the product.

符合中国《电器电子产品有害物质限制使用管理办法》标示
产品中有害物质的名称及含量



部件名称	有毒有害物质或元素					
	铅(Pb)	汞(Hg)	镉(Cd)	六价铬(Cr(VI))	多溴联苯(PBB)	多溴二苯醚(PBDE)
机箱组	X	○	○	○	○	○
面板组	X	○	○	○	○	○
I/O模块	X	○	○	○	○	○
风扇	X	○	○	○	○	○
安装套件	X	○	○	○	○	○
电源	X	○	○	○	○	○

本表格依据 SJ/T 11364 的规定编制。
○：表示该有害物质在该部件所有均质材料中的含量均在 GB/T 26572 规定的限量要求以下。
X：表示该有害物质至少在该部件的某一均质材料中的含量超出 GB/T 26572 规定的限量要求，但所有部件都符合欧盟 RoHS 要求。

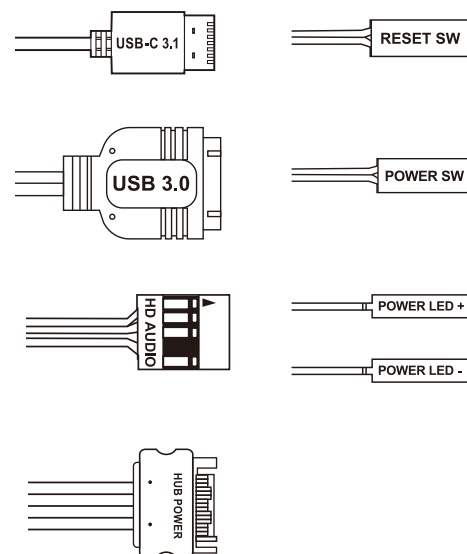
Asia (Headquarters)
GIGA-BYTE TECHNOLOGY CO., LTD. Taiwan
Address: No.6, Baoqiang Rd., Xindian Dist., New Taipei City 231, Taiwan
Tel: +886-2-8912-4000
<http://www.gigabyte.com>

China
GIGABYTE CHINA
Address: 24/F, HaiTong Securities Tower, No.689 Guangdong Road, Shanghai, China
Tel: +86-21-6340-0912

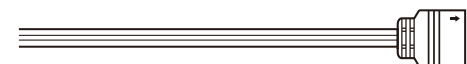
Europe
G.B.T. TECHNOLOGY TRADING GMBH Germany
Address: Bullenkoppel 16, 22047 Hamburg, Deutschland
Tel: +49-40-25 33 040

North America
G.B.T. INC. USA
Address: 17358 Railroad Street, City of Industry, CA91748 USA
Tel: +1-626-854-9338

I/O Connectors



RGB Lighting

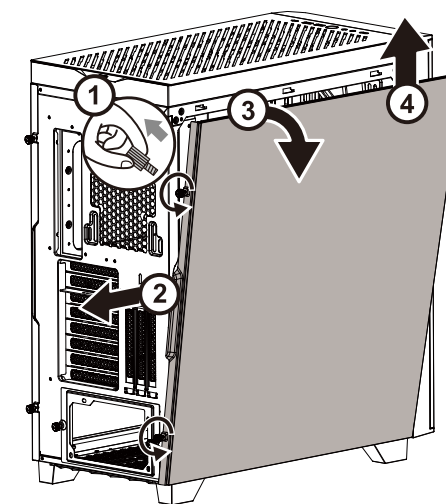


System Fan



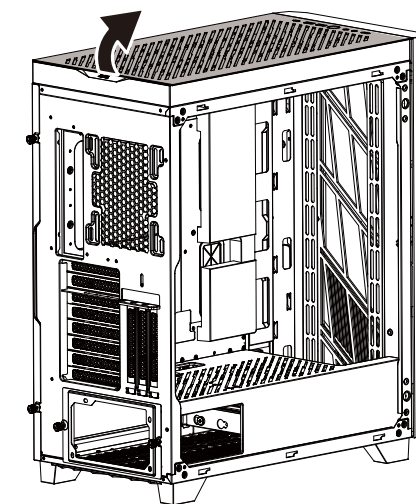
Remove the panels

Side Panel

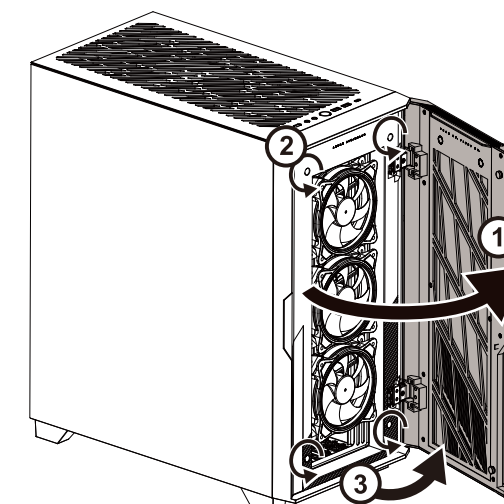


*Be careful when handling the tempered glass panel.

Top Panel

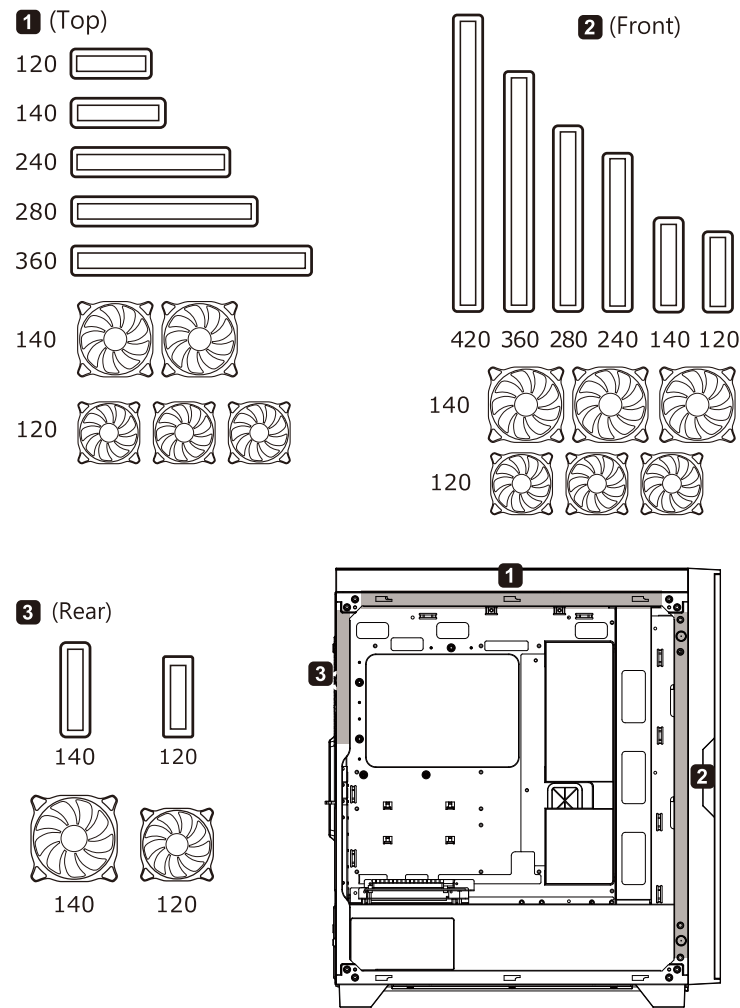


Front Panel

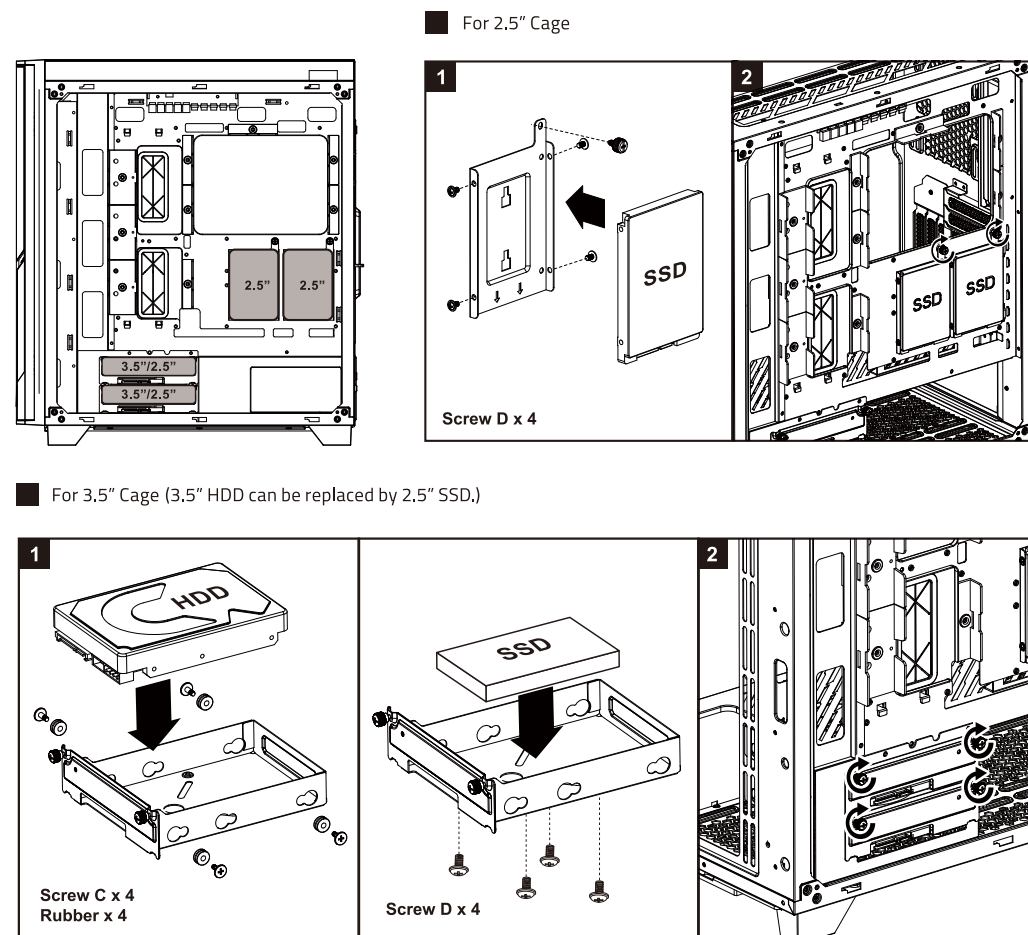


*Install the fans or the radiators without removing the front panel.

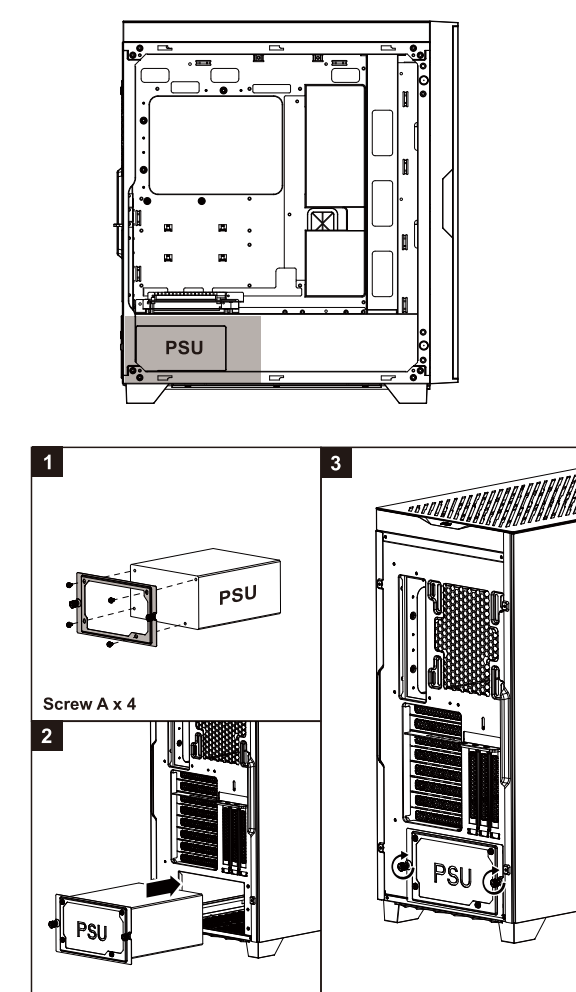
Install water cooling radiators & cooling fans



Install the internal 2.5" SSDs & 3.5" HDDs



Install the power supply

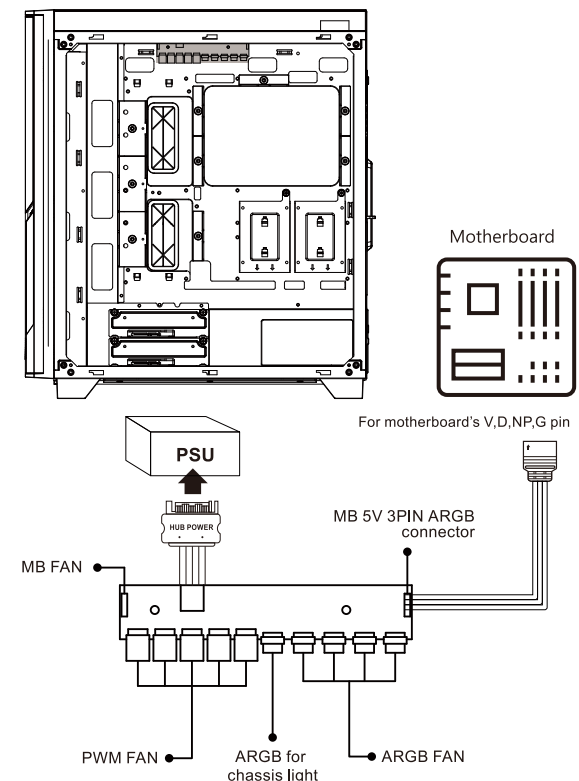


RGB & Fan control system



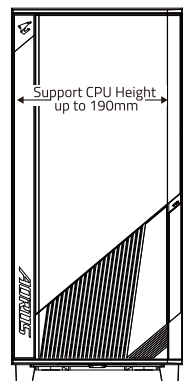
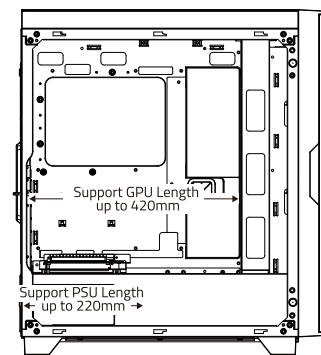
RGB FUSION 2.0
With 16.7M customizable color options and numerous lighting effects, you can choose lighting effects or synchronize with other AORUS devices.

Please use the included hub (refer the below image) to connect the ARGB and PWM fans.



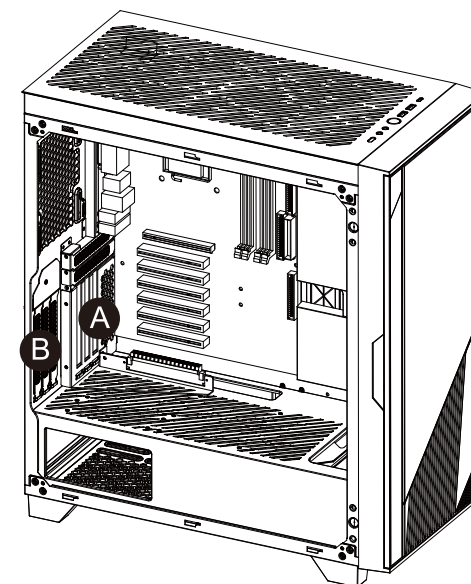
Maximum Compatibility and Accessory Kit

Figure	Part's Name	Qty	Used For
	Screw A	5	PSU (4)
	Screw B	18	Motherboard (9) / VGA holder kit (2) / PCI Slot Cover (6)
	Screw C	10	3.5" HDD Tray (8)
	Screw D	18	2.5" SSD (16) / VGA holder kit (2)
	Standoff 6.5mm	5	VGA holder kit (2) / Motherboard(8, pre-installed)
	Standoff 16.8mm	2	VGA holder kit
	VGA holder kit	1	Vertical VGA installation
	Nut setter	1	Standoff Installation
	Cable Tie	10	Cable management
	PCI Slot Cover	6	PCI Expansion Slot
	Shock Absorption Rubber	10	3.5" HDD Tray (8)

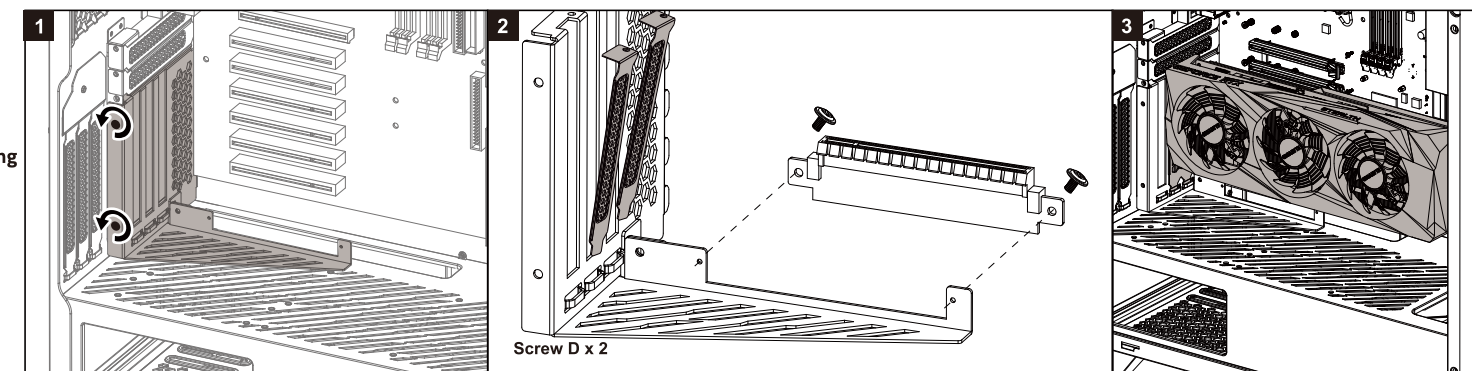


Install the vertical graphics card

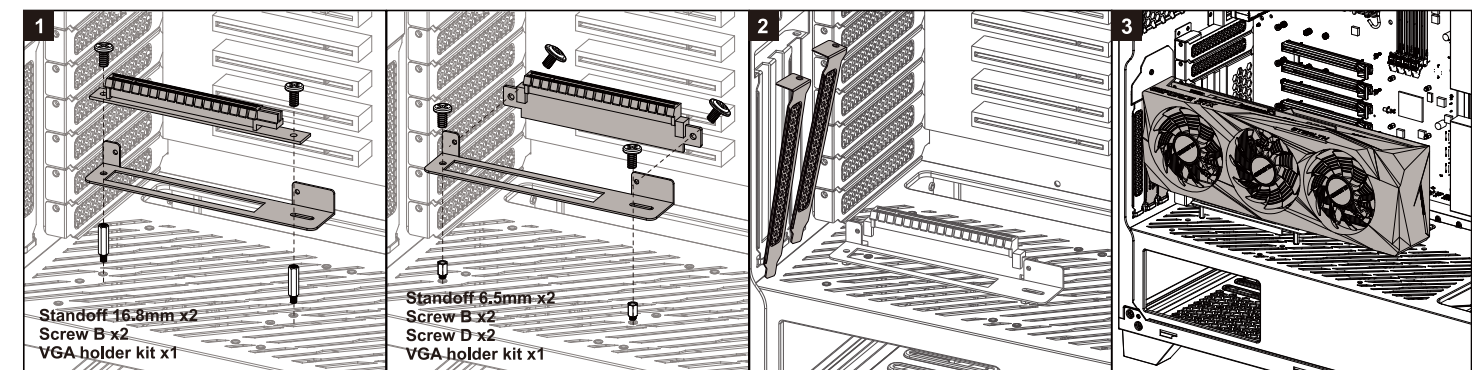
- Provides two ways (A&B) for VGA installation depending on VGA height and mechanism.
- Requires the PCIe riser cable (not included). Plug the PCI-E riser cable before installing the graphics card.
- The Type A holder bracket has been pre-installed in the chassis, which can be removed by unscrewing it for horizontal graphics card installation.



A. Supports up to 8 Slot (<160mm total clearance) Graphics card



B. Supports up to 3.5 Slot (<73mm total clearance) Graphics card



Ovaj dokument je originalno proizveden i objavljen od strane proizvođača, brenda Gigabyte, i preuzet je sa njihove zvanične stranice. S obzirom na ovu činjenicu, Tehnoteka ističe da ne preuzima odgovornost za tačnost, celovitost ili pouzdanost informacija, podataka, mišljenja, saveta ili izjava sadržanih u ovom dokumentu.

Napominjemo da Tehnoteka nema ovlašćenje da izvrši bilo kakve izmene ili dopune na ovom dokumentu, stoga nismo odgovorni za eventualne greške, propuste ili netačnosti koje se mogu naći unutar njega. Tehnoteka ne odgovara za štetu nanесenu korisnicima pri upotrebi netačnih podataka. Ukoliko imate dodatna pitanja o proizvodu, ljubazno vas molimo da kontaktirate direktno proizvođača kako biste dobili sve detaljne informacije.

Za najnovije informacije o ceni, dostupnim akcijama i tehničkim karakteristikama proizvoda koji se pominje u ovom dokumentu, molimo posetite našu stranicu klikom na sledeći link:

<https://tehnoteka.rs/p/gigabyte-kuciste-aorus-c500-glass-gb-ac500g-st-akcija-cena/>